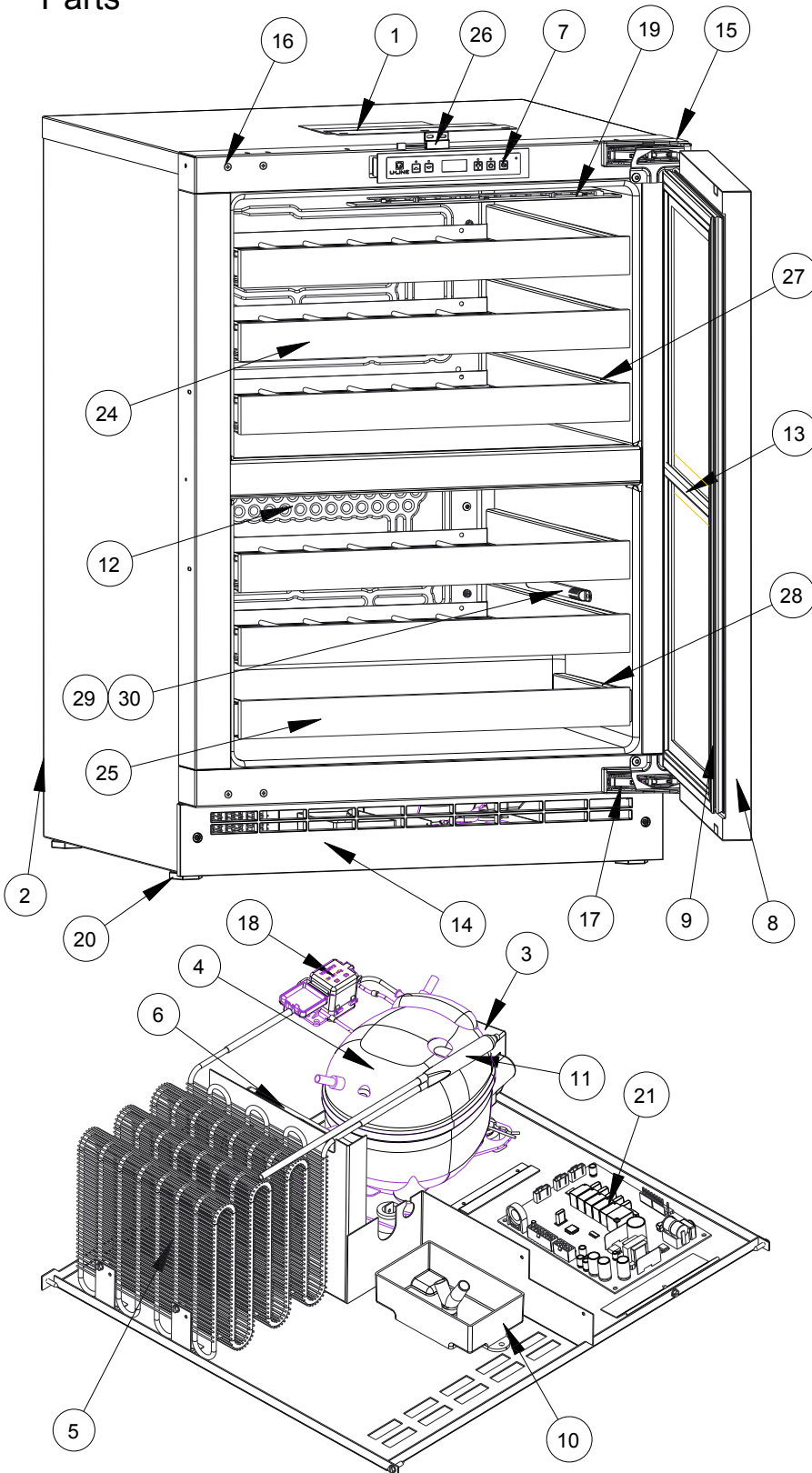


# USER GUIDE

SAFETY • INSTALLATION & INTEGRATION • OPERATING INSTRUCTIONS • MAINTENANCE • **SERVICE**

## Parts



U-2224ZWCINT-00B		
Item	Description	U-Line P/N
1	Anti tip brackets w/screws	<a href="#">80-54012-00</a>
2	Back panel	<a href="#">80-54086-00</a>
3	Compressor eletricals only	<a href="#">80-54149-00</a>
4	Compressor w/electricals	<a href="#">80-54193-00</a>
5	Condenser	<a href="#">80-54090-00</a>
6	Condenser fan w/screws	<a href="#">80-54014-00</a>
7	Display module	<a href="#">80-54007-00</a>
8	Door assembly w/o hinges	<a href="#">80-54085-00</a>
9	Door gasket	<a href="#">80-54039-00</a>
10	Drain pan w/double sided tape	<a href="#">80-54002-00</a>
11	Drier	<a href="#">80-54076-00</a>
12	Evaporator	<a href="#">80-54095-00</a>
13	Gasket, Horizontal	<a href="#">80-54129-00</a>
14	Grille w/ screws	<a href="#">80-54040-00</a>
15	Hinge covers (2 pcs)	<a href="#">80-54001-00</a>
16	Hinge mounting hole covers	<a href="#">80-54024-00</a>
17	Hinges(2) w/screws and covers	<a href="#">80-54013-00</a>
18	By-pass valve	<a href="#">80-54180-00</a>
19	LED light strip and cover assy	<a href="#">80-54000-00</a>
20	Leg Levelers (4)	<a href="#">80-54019-00</a>
21	Main board (no wires or case)	<a href="#">80-54008-00</a>
22	Packaging	<a href="#">80-54159-00</a>
23	Power cord	<a href="#">80-54178-00</a>
24	Rack assembly	<a href="#">80-54092-00</a>
25	Rack assembly bottom	<a href="#">80-54091-00</a>
26	Reed switch	<a href="#">80-54134-00</a>
27	Slide assembly, long	<a href="#">80-54047-00</a>
28	Slide assembly, short	<a href="#">80-54048-00</a>
29	Thermistor (1 piece)	<a href="#">80-54006-00</a>
30	Thermistor cover and pin	<a href="#">80-54023-00</a>
31	Wire Harness, dual	<a href="#">80-54179-00</a>