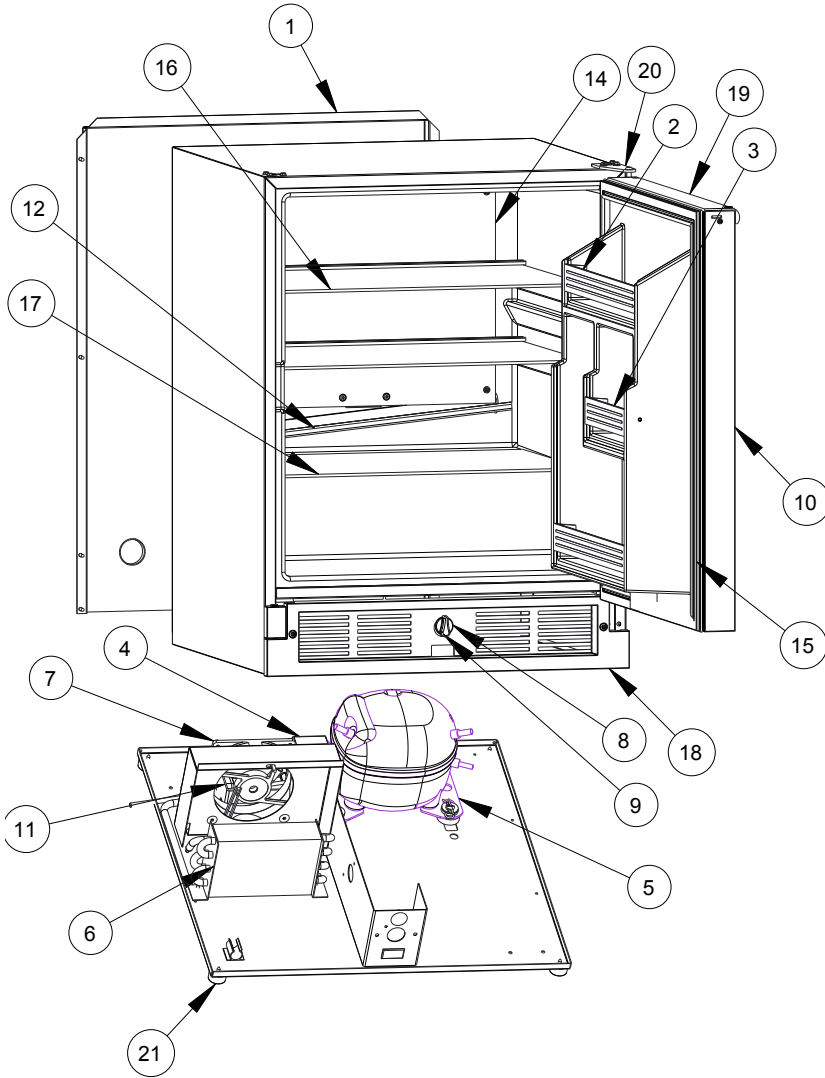


# USER GUIDE

## Parts



U-29RW-00A		
Item	Description	U-Line P/N
1	Back panel	<a href="#">80-54505-00</a>
2	Bottle retainer assembly long	<a href="#">80-54530-00</a>
3	Bottle retainer assembly short	<a href="#">80-54533-00</a>
4	Compressor electricals only	<a href="#">80-54149-00</a>
5	Compressor w/electricals	<a href="#">80-54150-00</a>
6	Condenser assembly	<a href="#">80-54521-00</a>
7	Condenser fan	<a href="#">80-54014-00</a>
8	Control assembly	<a href="#">80-54192-00</a>
9	Control knob	<a href="#">80-54382-00</a>
10	Door assembly w/out hinges	<a href="#">80-54548-00</a>
11	Drain pan	<a href="#">80-54217-00</a>
12	Drain trough	<a href="#">80-54520-00</a>
13	Drier	<a href="#">80-54055-00</a>
14	Evap/cabinet assembly	<a href="#">80-54518-00</a>
15	Gasket, door	<a href="#">80-54545-00</a>
16	Glass shelf (1)	<a href="#">80-54525-00</a>
17	Glass shelf (1) btm	<a href="#">80-54527-00</a>
18	Grille w/ screws	<a href="#">80-54544-00</a>
19	Handle w/screws	<a href="#">80-54546-00</a>
20	Hinges (2) w/screws	<a href="#">80-54547-00</a>
21	Legs (4)	<a href="#">80-54529-00</a>
22	Packaging	<a href="#">80-54517-00</a>
23	Power cord	<a href="#">80-54528-00</a>
24	Transformer	<a href="#">80-54203-00</a>