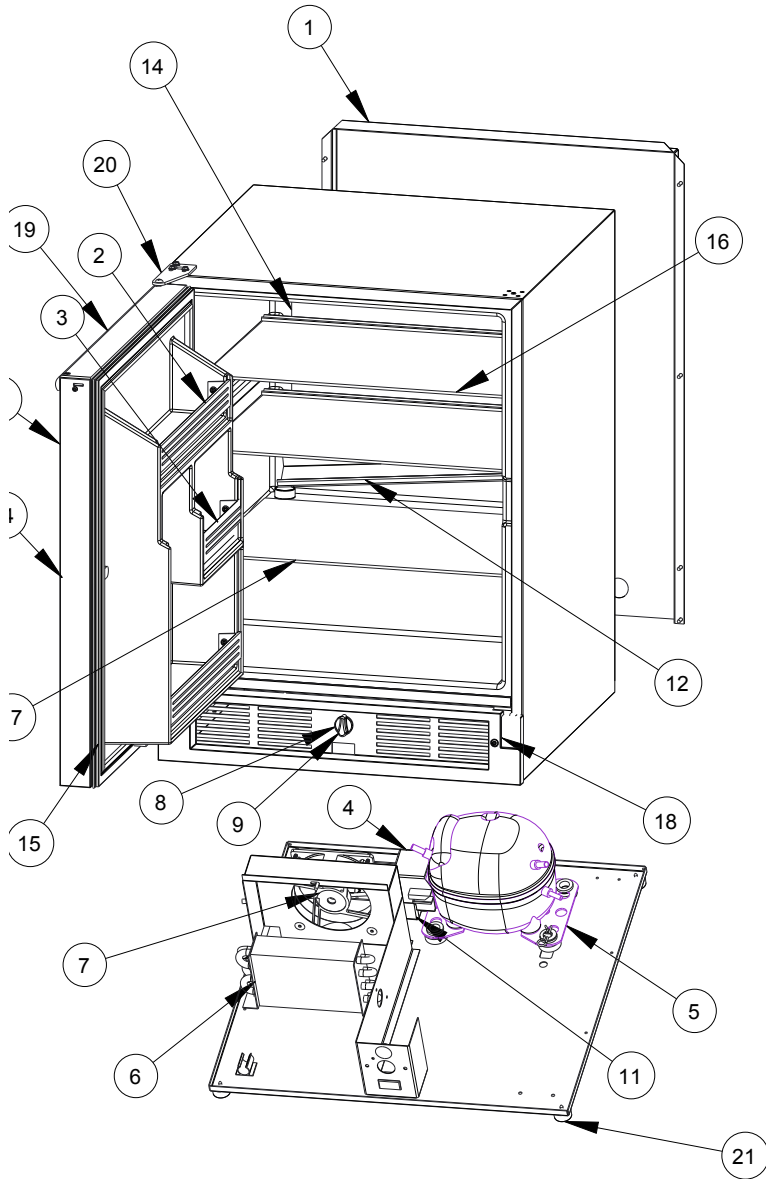


USER GUIDE

Parts



U-29RW-15A

Item	Description	U-Line P/N
1	Back panel	80-54505-00
2	Bottle retainer assembly long	80-54530-00
3	Bottle retainer assembly short	80-54533-00
4	Compressor electricals only	80-54149-00
5	Compressor w/electricals	80-54150-00
6	Condenser assembly	80-54521-00
7	Condenser fans w/screws	80-54014-00
8	Control assembly	80-54192-00
9	Control knob	80-54382-00
10	Door assembly w/out hinges	80-54553-00
11	Drain pan w/ double sided tape	80-54217-00
12	Drain trough assembly	80-54520-00
13	Drier	80-54055-00
14	Evaporator assembly	80-54518-00
15	Gasket, door	80-54545-00
16	Glass shelf (1)	80-54525-00
17	Glass shelf (1) btm	80-54527-00
18	Grille w/ screws	80-54544-00
19	Handle w/screws	80-54546-00
20	Hinges (2) w/screws	80-54547-00
21	Legs (4)	80-54529-00
22	Packaging	80-54517-00
23	Power cord	80-54528-00
24	Universal lock assembly	80-54153-00
25	Transformer	80-54203-00