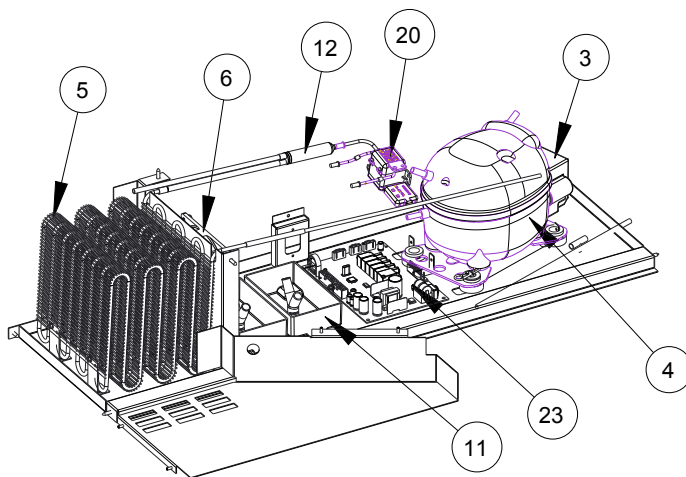
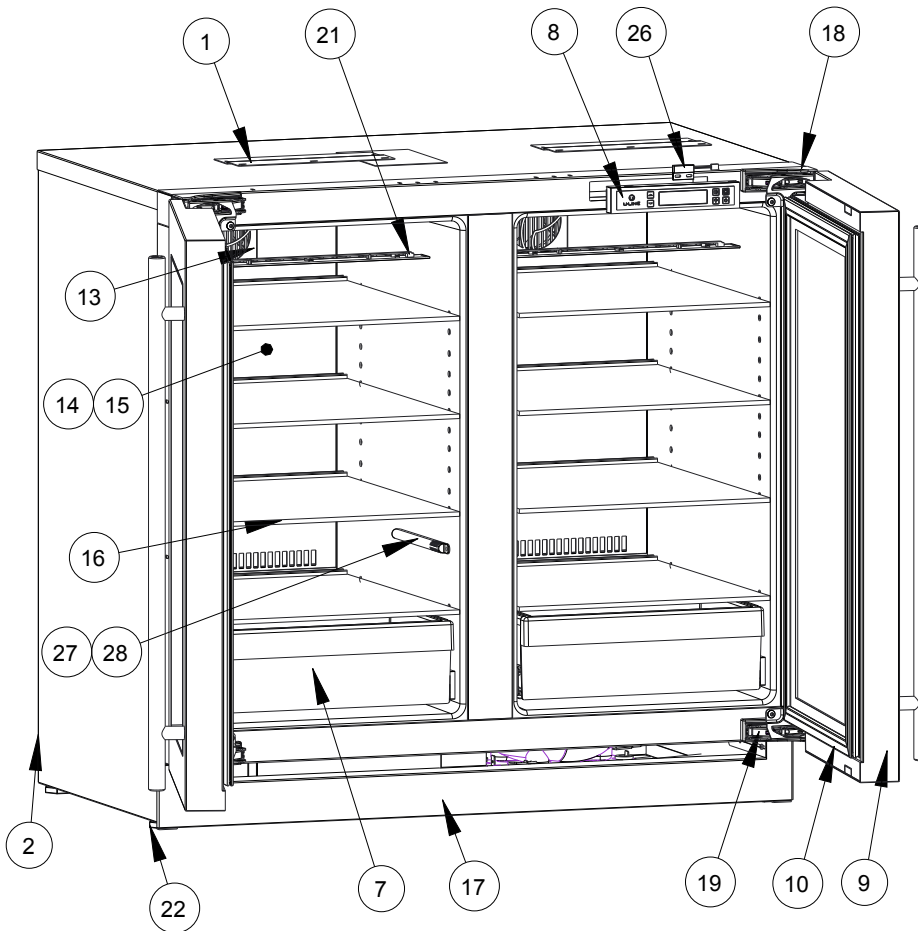


# USER GUIDE

SAFETY • INSTALLATION & INTEGRATION • OPERATING INSTRUCTIONS • MAINTENANCE • **SERVICE**

## Parts



U-3036RRGLS-00B		
Item	Description	U-Line P/N
1	Anti tip bracket w/screws	<a href="#">80-54012-00</a>
2	Back panel	<a href="#">80-54126-00</a>
3	Compressor electricals only	<a href="#">80-54149-00</a>
4	Compressor w/electricals	<a href="#">80-54150-00</a>
5	Condenser	<a href="#">80-54090-00</a>
6	Condenser fan w/screws	<a href="#">80-54014-00</a>
7	Crisper	<a href="#">80-54025-00</a>
8	Display module	<a href="#">80-54032-00</a>
9	Door assembly w/o hinges	<a href="#">80-54154-00</a>
10	Door gasket	<a href="#">80-54003-00</a>
11	Drain pan w/double sided tape	<a href="#">80-54002-00</a>
12	Drier	<a href="#">80-54076-00</a>
13	Evap fan w/cover and screws	<a href="#">80-54151-00</a>
14	Evaporator	<a href="#">80-54125-00</a>
15	Evaporator cover	<a href="#">80-54021-00</a>
16	Glass shelf(1) w/clips	<a href="#">80-54015-00</a>
17	Grille w/screws	<a href="#">80-54123-00</a>
18	Hinge covers (2 pcs)	<a href="#">80-54001-00</a>
19	Hinges(2) w/screws and covers	<a href="#">80-54013-00</a>
20	By-pass valve	<a href="#">80-54180-00</a>
21	LED light strip and cover assy	<a href="#">80-54000-00</a>
22	Leg Levelers (4)	<a href="#">80-54019-00</a>
23	Main board(no wires or case)	<a href="#">80-54008-00</a>
24	Packaging	<a href="#">80-54127-00</a>
25	Power cord	<a href="#">80-54178-00</a>
26	Reed switch	<a href="#">80-54134-00</a>
27	Thermistor (1 piece)	<a href="#">80-54006-00</a>
28	Thermistor cover and pin	<a href="#">80-54023-00</a>
29	Wire harness, dual	<a href="#">80-54179-00</a>