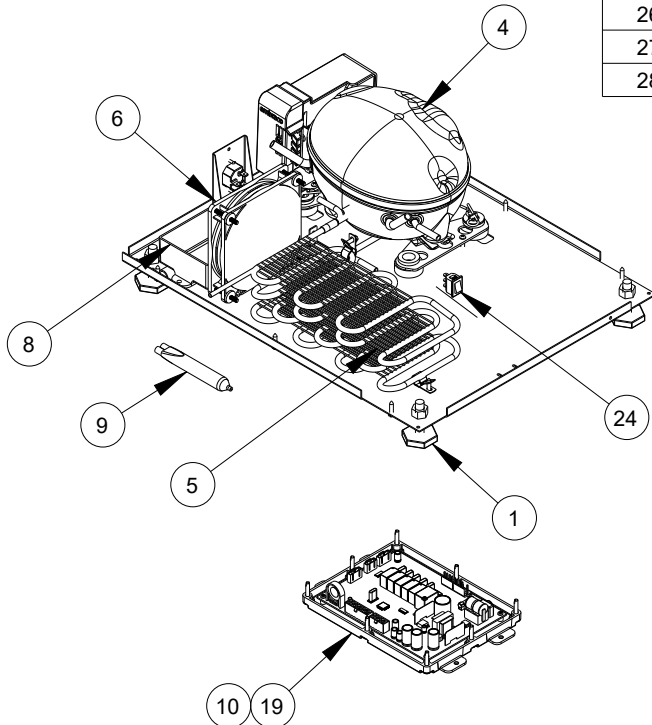
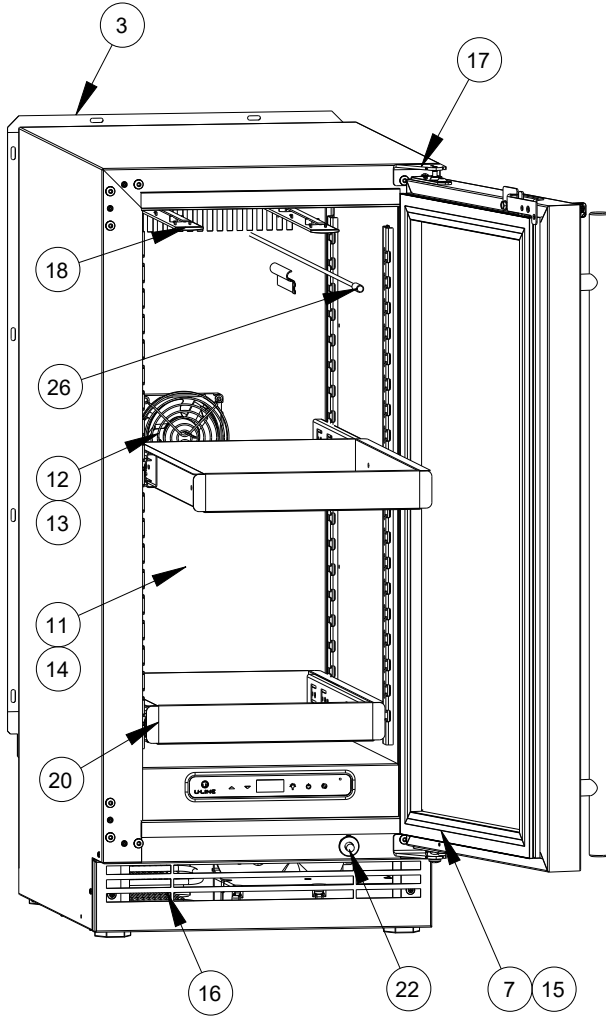


USER GUIDE

Parts



UCRE515-SS33A		
Item	Description	U-Line P/N
1	LEG LEVELERS (4) 3/8"-16	80-54019-01
2	ANTI-TIP BRACKET W/SCREWS *	80-54221-00
3	BACK PANEL	80-54392-00
4	COMPRESSOR 5 CLASS	80-55452-00
5	CONDENSER ASSY 5 CLASS	80-55453-00
6	CONDENSER FAN W/SCREWS	80-54014-00
7	DOOR, SS W/HINGES & LOCK	80-55656-02
8	DRAIN PAN	80-54217-00
9	DRIER	80-54055-00
10	ENCLOSURE ASSEMBLY, BOARD	80-54532-00
11	EVAPORATOR ASSEMBLY	80-55458-00
12	EVAPORATOR FAN	80-54807-00
13	EVAPORATOR FAN COVER W/SCREWS	80-54809-00
14	EVAP SS COVER 15"	80-55561-02
15	GASKET, DOOR 15" NSF	80-55656-01
16	GRILLE, 15" 5 CLASS	80-55461-00
17	HINGE ASSEMBLY, NSF	80-55374-02
18	LIGHT ASM, 2 COLOR	80-55272-00
19	MAIN BOARD/DISPLAY ASSEMBLY	80-55429-01
20	METAL SHELF 15"	80-55613-01
21	PACKAGING *	80-54387-00
22	PLUNGER SWITCH, NUGGET	80-55375-00
23	POWER CORD, EXTERNAL *	80-55362-00
24	ROCKER SWITCH	80-55603-00
25	SERIAL INVERTER 120V (FMX) *	80-55570-00
26	THERMISTOR (1 PC)	80-54006-00
27	WIRE HARNESS, HI VOLTAGE *	80-55592-01
28	WIRE HARNESS, LOW VOLTAGE *	80-55592-00

*NOT SHOWN