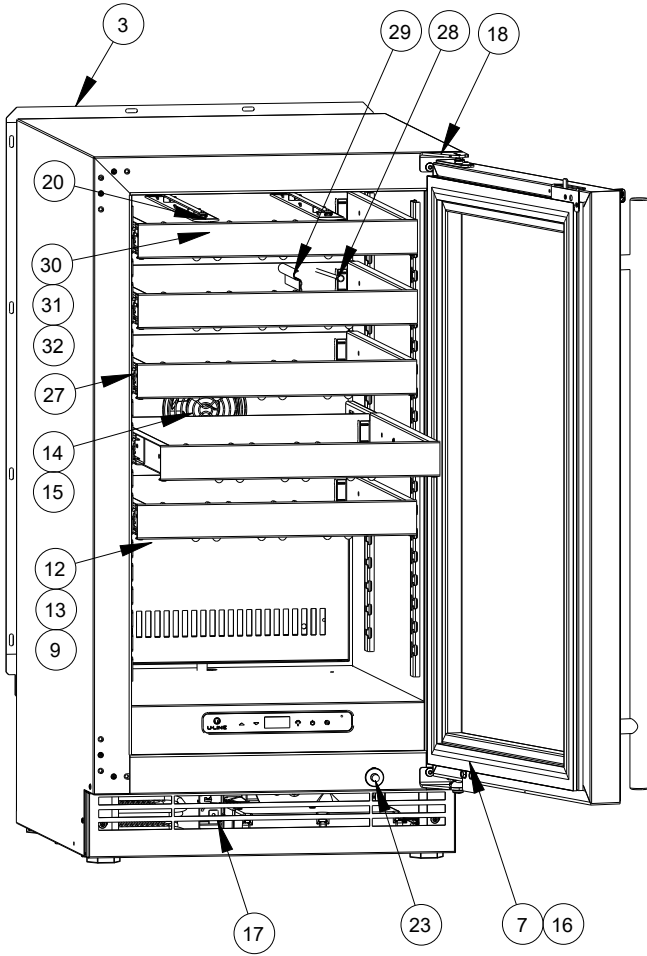
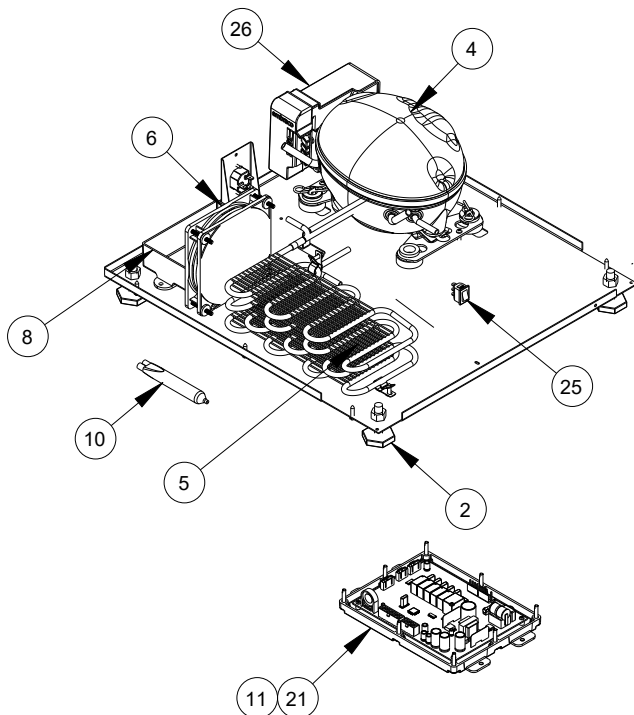


# USER GUIDE

## Parts



UCWC518-SS33A		
Item	Description	U-Line P/N
1	ANTI-TIP BRACKETS W/SCREWS *	80-55449-00
2	LEG LEVELERS (4) 3/8"-16	80-54019-01
3	BACK PANEL, 518 NSF	80-55474-01
4	COMPRESSOR 5 CLASS	80-55452-00
5	CONDENSER ASSY 5 CLASS	80-55453-00
6	CONDENSER FAN W/SCREWS	<a href="#">80-54014-00</a>
7	DOOR, 18" SG W/HINGES & LOCK	80-55656-05
8	DRAIN PAN	<a href="#">80-54217-00</a>
9	DRAIN TROUGH 5 CLASS 18"	80-55476-00
10	DRIER	<a href="#">80-54055-00</a>
11	ENCLOSURE ASSEMBLY, BOARD	<a href="#">80-54532-00</a>
12	EVAP ASSY, 5 CLASS 18"	80-55478-00
13	EVAPORATOR COVER, 18"	80-55561-04
14	EVAPORATOR FAN	<a href="#">80-54807-00</a>
15	EVAPORATOR FAN COVER W/SCREWS	<a href="#">80-54809-00</a>
16	GASKET, DOOR 18" NSF	80-55656-04
17	GRILLE, 18" 5 CLASS	80-55479-00
18	HINGE ASSEMBLY, NSF	80-55374-02
19	HI TEMP THERMISTOR *	<a href="#">80-54070-00</a>
20	LIGHT ASM, 2 COLOR	80-55272-00
21	MAIN BOARD/DISPLAY ASSEMBLY	80-55429-01
22	PACKAGING *	<a href="#">80-54145-00</a>
23	PLUNGER SWITCH, NUGGET	80-55375-00
24	POWER CORD, EXTERNAL *	80-55362-00
25	ROCKER SWITCH	80-55603-00
26	SERIAL INVERTER	80-55570-00
27	SLIDE ASSEMBLY	<a href="#">80-54219-00</a>
28	THERMISTOR (1 PC)	<a href="#">80-54006-00</a>
29	THERMISTOR COVER, 5 CLASS	80-55464-00
30	WINE RACK, 18" 5 CLASS	80-55480-00
31	WINE RACK FRONT 18" 5 CLASS	80-55501-00
32	WINE RACK W/RAILS 18" 5 CLASS	80-55480-01
33	WIRE HARNESS, HI VOLTAGE *	80-55592-01
34	WIRE HARNESS, LOW VOLTAGE *	80-55592-00



\* NOT PICTURED