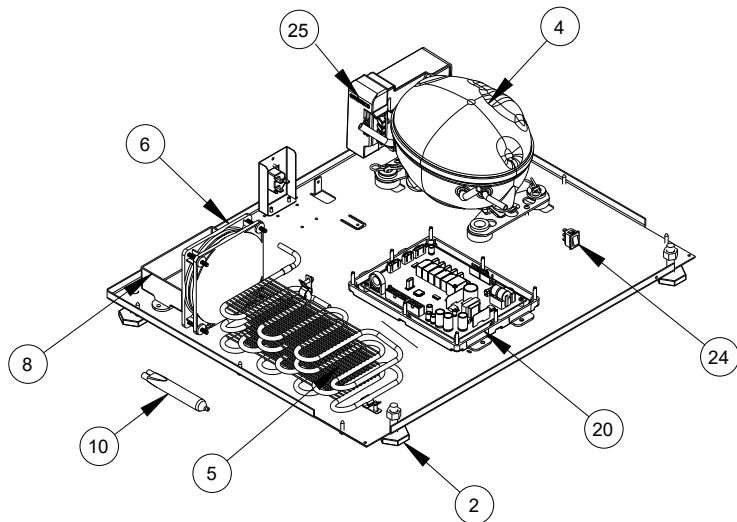
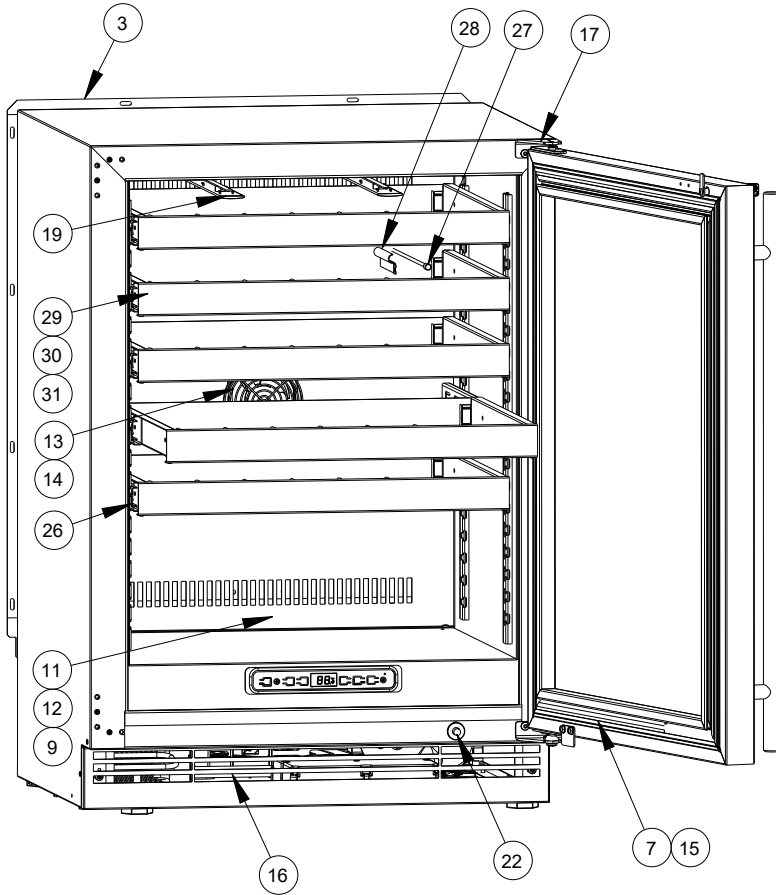


USER GUIDE

Parts



UCWC524-SS33A		
Item	Description	U-Line P/N
1	ANTI-TIP BRACKETS W/SCREWS *	80-55449-00
2	LEG LEVELERS (4) 3/8"-16	80-54019-01
3	BACK PANEL, 2 PIECE	80-55619-00
4	COMPRESSOR 5 CLASS	80-55452-00
5	CONDENSER ASSY 5 CLASS	80-55453-00
6	CONDENSER FAN W/SCREWS	80-54014-00
7	DOOR W/HINGES, 24" GLASS	80-55492-01
8	DRAIN PAN	80-54217-00
9	DRAIN TROUGH 5 CLASS 24"	80-55484-00
10	DRIER	80-54055-00
11	EVAP ASSY, 5 CLASS 24"	80-55486-00
12	EVAPORATOR COVER, 24"	80-55486-01
13	EVAPORATOR FAN	80-54807-00
14	EVAPORATOR FAN COVER W/SCREWS	80-54809-00
15	GASKET, DOOR	80-54039-01
16	GRILLE, 24" 5 CLASS	80-55487-00
17	HINGE ASSEMBLY, NSF	80-55374-02
18	HI TEMP THERMISTOR *	80-54070-00
19	LIGHT ASM, 2 COLOR	80-55272-00
20	MAIN BOARD/DISPLAY ASSEMBLY	80-55429-01
21	PACKAGING *	80-54160-00
22	PLUNGER SWITCH, NUGGET	80-55375-00
23	POWER CORD, EXTERNAL *	80-55362-00
24	ROCKER SWITCH	80-55603-00
25	SERIAL INVERTER	80-55570-00
26	SLIDE ASSEMBLY	80-54219-00
27	THERMISTOR (1 PC)	80-54006-00
28	THERMISTOR COVER, 5 CLASS	80-55464-00
29	WINE RACK, 24" 5 CLASS	80-55488-00
30	WINE RACK FRONT 24" 5 CLASS	80-55502-00
31	WINE RACK W/RAILS 24" 5 CLASS	80-55488-01
32	WIRE HARNESS, HI VOLTAGE *	80-55592-01
33	WIRE HARNESS, LOW VOLTAGE *	80-55592-00

* NOT PICTURED