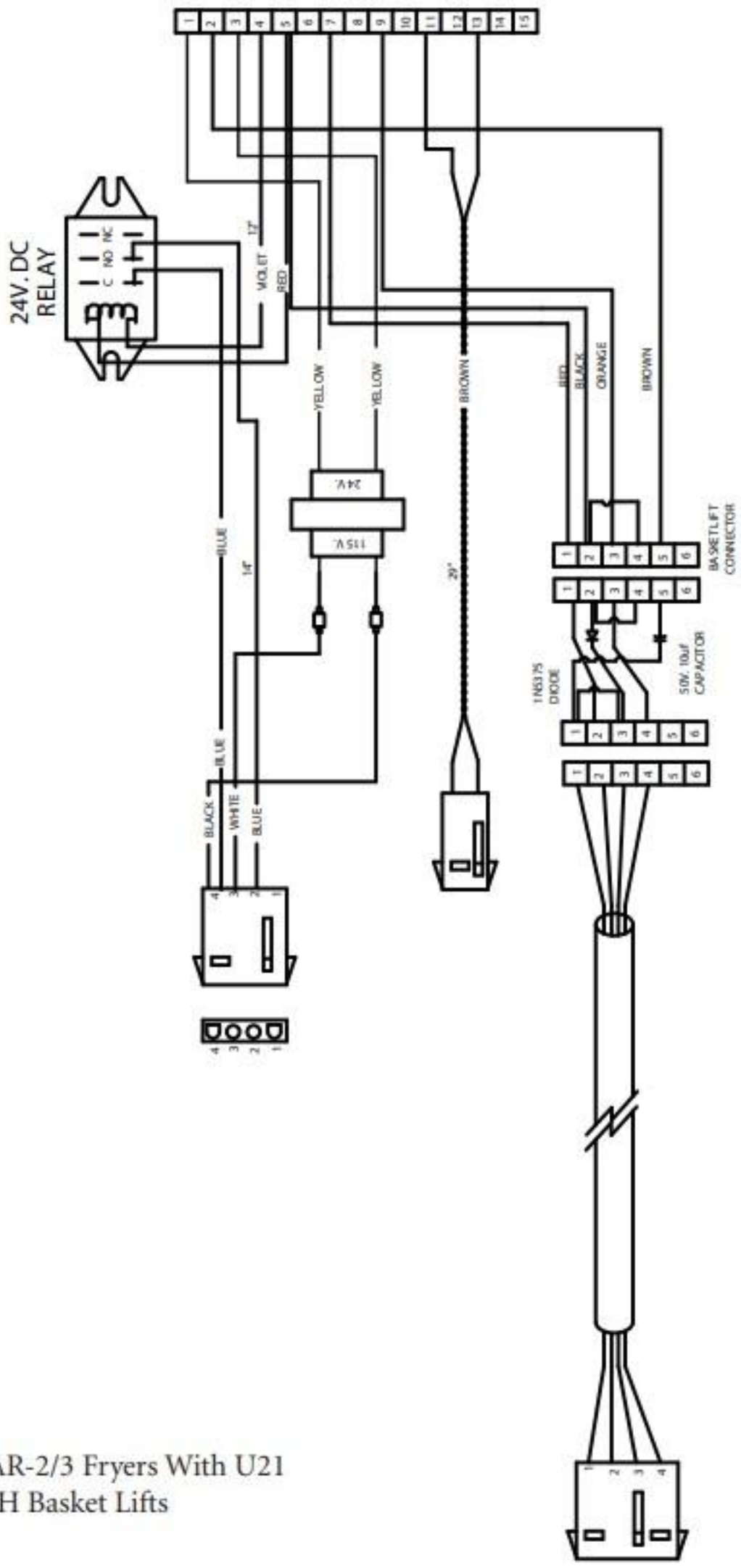


AR-2/3 Fryers With U21  
 TH Basket Lifts

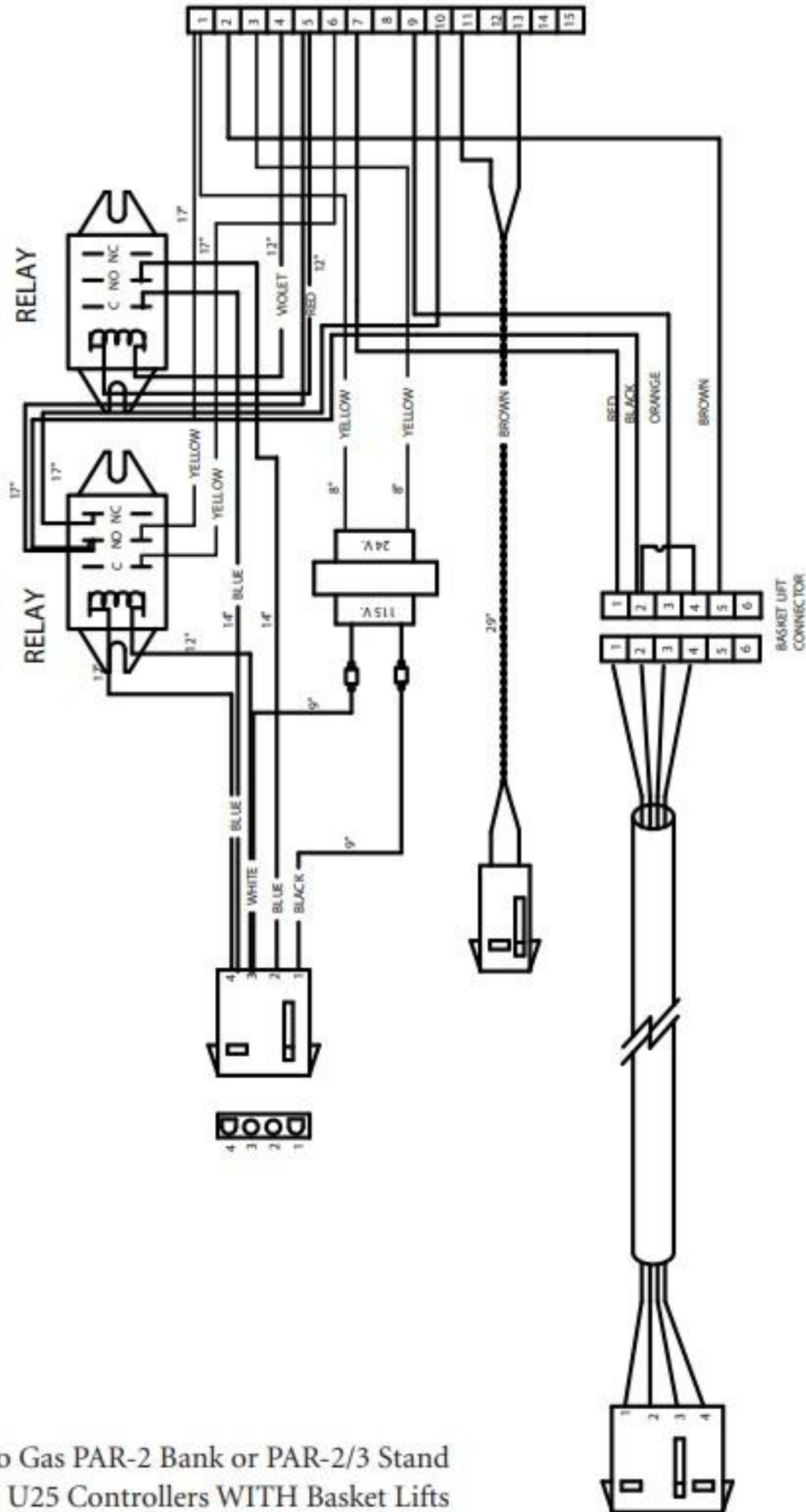




only To Gas PAR-2 Bank or PAR-2/3 Stand  
 With U25 Controllers WITH Basket Lifts

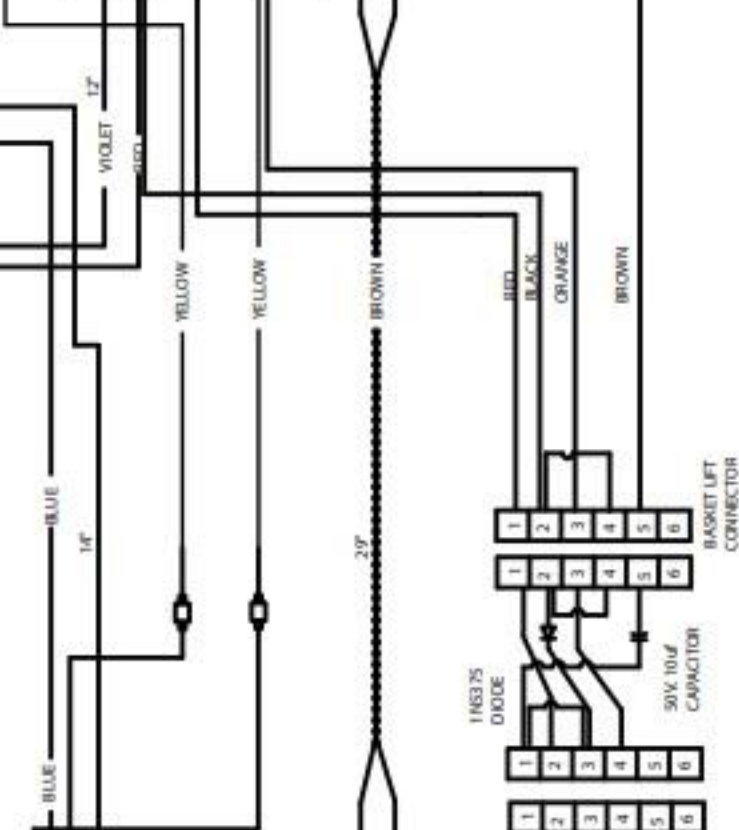
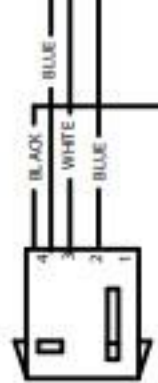
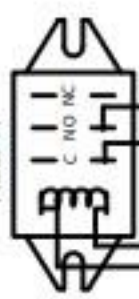
115V.AC  
 RELAY

24V.DC  
 RELAY





24V. DC  
RELAY



1N6375  
DIODE

50V 10µF  
CAPACITOR

BASKET LIFT  
CONNECTOR



