



TRADITIONAL COFFEE APPLIANCE MACHINE A CAFÉ TRADITIONNELLE

AURA

1XX HABILLAGE

101	VUE D'ENSEMBLE AURA TACTILE
110	HABILLAGE AURA
111	ENSEMBLE BASSINE & PIED
121	CALANDRE AURA

2XX SORTIES EXTÉRIEURES

201	ENSEMBLE TUBE & SORTIE VAPEUR (ROBINET)
202	ENSEMBLE TUBE & EV SORTIE VAPEUR
211	SORTIE VAPEUR INOX
220	SORTIE VAPEUR PTFE
230	SORTIE VAPEUR REGLABLE
240	SORTIE STEAMAIR
246	SORTIE CAPPUCCINO PAR ASPIRATION
251	TUBE, MITIGEUR & EV SORTIE EAU CHAUDE
261	SORTIE EAU CHAUDE
271	SORTIE EAU CHAUDE REGLABLE

3XX HYDRAULIQUE

302	CIRCUIT HYDRAULIQUE 2GR
303	CIRCUIT HYDRAULIQUE 3GR
320	POMPES 100L-200L
331	DOSEURS D'ALIMENTATION
332	NOURRICE D'ALIMENTATION
335	MANOMETRE
341	CHAUDIERE AURA
346	GROUPE CAFE AURA

4XX CIRCUIT CAFÉ

494	PORTE FILTRE AVEC CAPTEUR
497	PORTE FILTRE AVEC RFID
498	PORTE FILTRE POIGNEE LONGUE

5XX ÉLECTRONIQUE

500	COMPOSANTS ELECTRIQUES
501	CONNECTEURS & FUSIBLES CARTE MERE
502	LISTES DES CABLES

6XX OPTION/KIT

MACHINE CASING

AURA TOUCH OVERVIEW
AURA CASING
SET OVERFLOW TRAY & FEET
FRONT PANEL AURA

EXTERNAL OUPUT

SET TUBE & STEAM OUTLET (TAP)
SET TUBE & EV STEAM OUTLET
STEAM OUTLET STAINLESS STEEL
PTFE STEAM OUTLET
ADJUSTABLE STEAM OUTLET
STEAMAIR OUTLET
CAPPUCCINO OUTLET
PIPE, MIXER & EV HOT WATER OUTLET
HOT WATER OUTLET
ADJUSTABLE HOT WATER OUTLET

HYDRAULIC CIRCUIT

HYDRAULIC CIRCUIT 2GR
HYDRAULIC CIRCUIT 3GR
100L-200L PUMPS
WATER DOSING UNIT
WATER FEEDING UNIT
MANOMETER
AURA BOILER
COFFEE GROUP AURA

COFFEE SYSTEM

FILTER HOLDER WITH SENSOR
FILTER HOLDER WITH RFID
FILTER HOLDER LONG HANDLE

ELECTRONIC SYSTEM

ELECTRICAL COMPONENTS
MOTHERBOARD CONNECTORS & FUSES
ELECTRICAL WIRES LISTING

OPTION/KIT

Partstown 7-21

PLANCHE - PLATE 101

REF	ELUX	DESIGNATIONS FR	DESIGNATIONS GB
AU-7001		LOGO ARRIERE AURA	REAR AURA LOGO
43403		INTERRUPTEUR ON OFF	ON OFF SWITCH
46228		STICKER COMMUTATEUR AURA	STICKER FOR COMMUTATOR
46258		LOGO ELECTROLUX METAFLEX NOIR 50MM	50MM BLACK METAFLEX ELECTROLUX LOGO
46261		LOGO ELECTROLUX METAFLEX NOIR 70MM	70MM BLACK METAFLEX ELECTROLUX LOGO

Aura PM Schedule

March-21										
PM Parts	Unic Parts listing Description	Part #	Parts Page AU9050 AU9900	2GR	3GR	6 Months	Years			
							1	3	2	6
							5	4		
Group Service										
Group Gasket	HEAD GASKET 9MM	PC-17	346	2	3	✓	✓	✓	✓	
Group O-ring 2.62mm x 52.07mm	GASKET - 2.62 X 52.07	27800	346	2	3	✓	✓	✓	✓	
EasyLock Group upper O-ring	O RING 3.53 X 74.61	27718	346	2	3	✓	✓	✓	✓	
Piston easylock spring	SPRING D6	28828	346	2	3		✓	✓	✓	
Diffuser Disk	WASHER DIFFUSER	31910	346	2	3		✓	✓	✓	
Slotted Screw - shower screen	SCREW - M5 X 10	50200	346	2	3		✓	✓	✓	
Shower Screen	PACKER FILTER	ID-103	346	2	3		✓	✓	✓	
Complete Gicleur Assembly	GICLEUR Ø 0.7 KIT	23127	346	2	3		✓	✓	✓	
Easy lock stop	FILTER HOLDER STOP	NZ-4012	346	2	3			✓	✓	

Steam/Water Wands Service									
Swivel O-ring	O RING - 9,13 X 2,62	PH-78	202	3	3	✓	✓	✓	✓
Upper O-Ring - steam wand	O RING - 13.95 X 2.62	PH-54	202	3	3		✓	✓	✓
Copper Spacer washer	COPPER GASKET	AG-14	202	3	3		✓	✓	✓
Wand Spring	SPRING	PA-43	202	3	3		✓	✓	✓
Wand Spring Holder	BRASS END	RR-67	202	3	3		✓	✓	✓

Steam Valve Service									
Steam Lever	STEAM HANDLE	NZ-7003	201	1	1		✓	✓	✓
Steam Valve Ceramic Cartridge	CERAMIC CARTRIDGE	25925	201	1	1		✓	✓	✓
Steam Lever Screw M4 x 16	SCREW - M4 X 16	CN-489E	201	1	1		✓	✓	✓
Steam Lever Hex Insert	STEAM HANDLE INSERT	NZ-4014	201	1	1		✓	✓	✓

Steam Boiler Service									
Complete Vacuum Break Kit	VACUUM VALVE KIT	27224	202	1	1		✓	✓	✓
Steam Boiler Safety Valve	LP VALVE 1/8	27200	341	1	1			✓	✓
Fill Level Probe L=130mm	SONDE DE NIVEAU L=130	26510	341	1	1			✓	✓

General Service									
Flow Meter O-ring	GASKET - DOSING DEVICE	CN-828		2	3			✓	✓
Flow Meter Impeller	TURBINE	CN-829		2	3			✓	✓
O-ring Grouphead to Boiler	GASKET - 36,09 X 3,53	PE-28	346	2	3			✓	✓
Expansion Valve	COMPLET H.P.VALVE	DO-191	332	2	2			✓	✓
Expansion Valve O-rings	JOINT TORIQUE 2 X 9,5	28134	332	2	2			✓	✓

PM Parts	Unic Parts listing Description	Part #	Parts Page AU9050 AU9900	2GR	3GR	6 Months	1	3	2	6
							5	4	6	
SteamAir Autosteam Service (If Installed, not included in kits)										
12 Hole Steam Tip	12 HOLES END PIPE	25909	240	1	1		✓	✓	✓	✓
O-ring - 2x9.5mm	GASKET 2 X 9.5	28134	240	1	1		✓	✓	✓	✓
O-ring - 8.73x1.78mm	GASKET 8.73 X 1.78	CN-436	240	1	1		✓	✓	✓	✓
O-ring - 9.13x2.62mm	O RING - 9.13 X 2.62	PH-78	240	1	1		✓	✓	✓	✓
Set-screw - M5x8mm	POINT END SCREW	PC-38	240	1	1		✓	✓	✓	✓
Spring Inserts	THRUST BALL BEARING	RO-58	240	1	1		✓	✓	✓	✓

Complete 6 Year Service										
Brew Valve W/O coil (incl O-rings)	WHOLE ELECTROVALVE W/O	PI-45X	346	2	3					✓
Steam Valve 3 way	WHOLE ELECTROVALVE	35140	202	1	1					✓
Hot Water Valve KIT	EV HOT WATER MIXED	AU-1072	251	2	2					✓
Flat Rubber Gasket	GASKET - 20 X 12 X 2	28352	202	2	2					✓
Solenoid Coil 24 vac	SOLENOID COIL 24V	35012		2	3					✓
Steam Pressure Sensor	0-16bar PRES SENSOR	36510MP	341	1	1					✓
Copper Washer (press sensor))	WASHER - COPPER - 3/8	CH-16	341	2	2					✓
Flow Meter Cap	WATER DOSING DEVICE LID	CN-827		2	3					✓
Expansion/Filling Valve O-rings	JOINT TORIQUE 2 X 9,5 FKM 80SH	28134	332	2	4					✓
Procon Pumthead 200L/H	PROCON PUMP 200L/H	37207	325	1	1					✓
Pump Coupler Kit	COUPLING KIT	37216	325	1	1					✓
Filling Valve W/O coil	ELECTROVALVE 2W ADJ.	CN-631W	332	1	1					✓
Filter screen-filing valve	FILTER FOR EV 1/8	25400		1	1					✓
Copper Washer - 2mm orifice	WASHER 1/4 D:2	DV-203		3	3					✓
Copper Washer (filling valve)	WASHER - COPPER - 3/8	CH-16		2	2					✓

Complete PM Kits	
Aura 2 Group 6 Month	
Aura 2 Group Years 1-3-5	
Aura 2 Group Years 2 & 4	
Aura 3 Group 6 Month	
Aura 3 Group Years 1-3-5	
Aura 3 Group Years 2 & 4	

www.unic-usa.com
www.grindmaster.com
www.electroluxprofessional.com

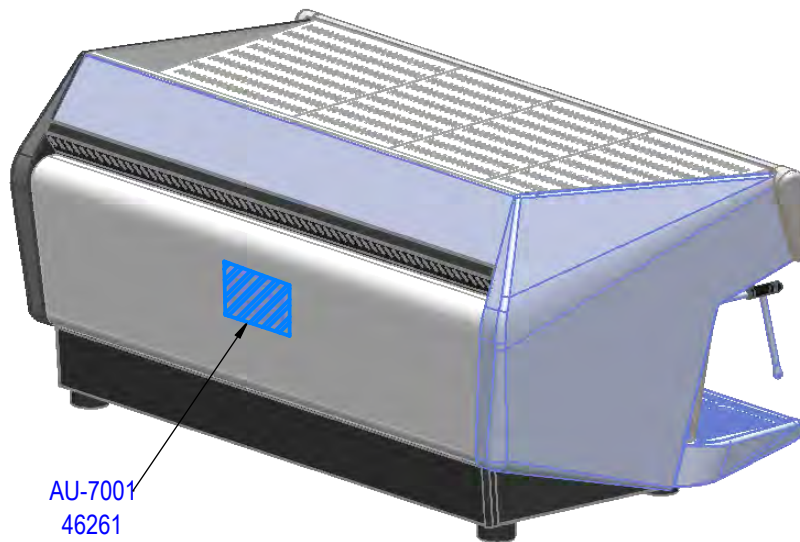
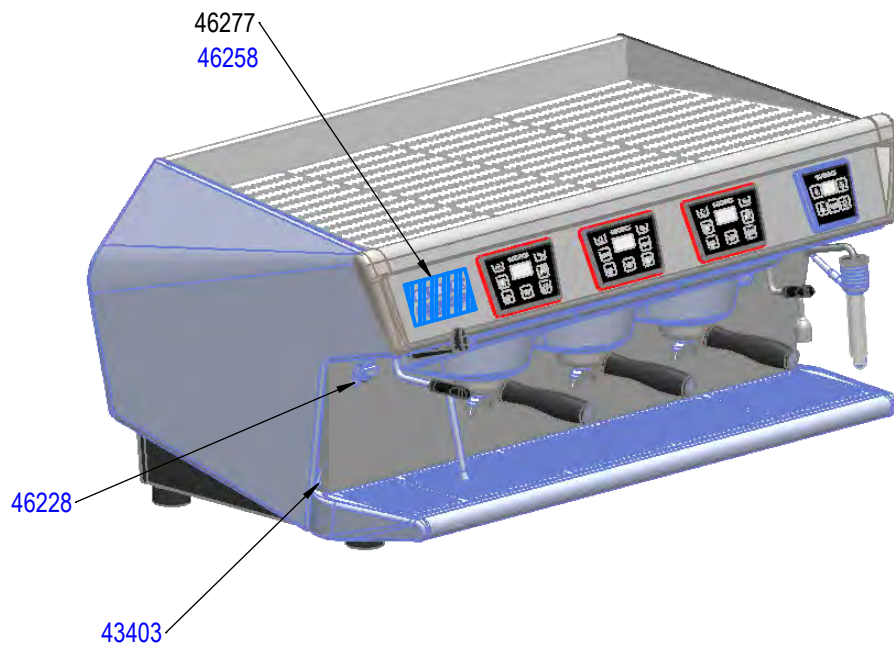
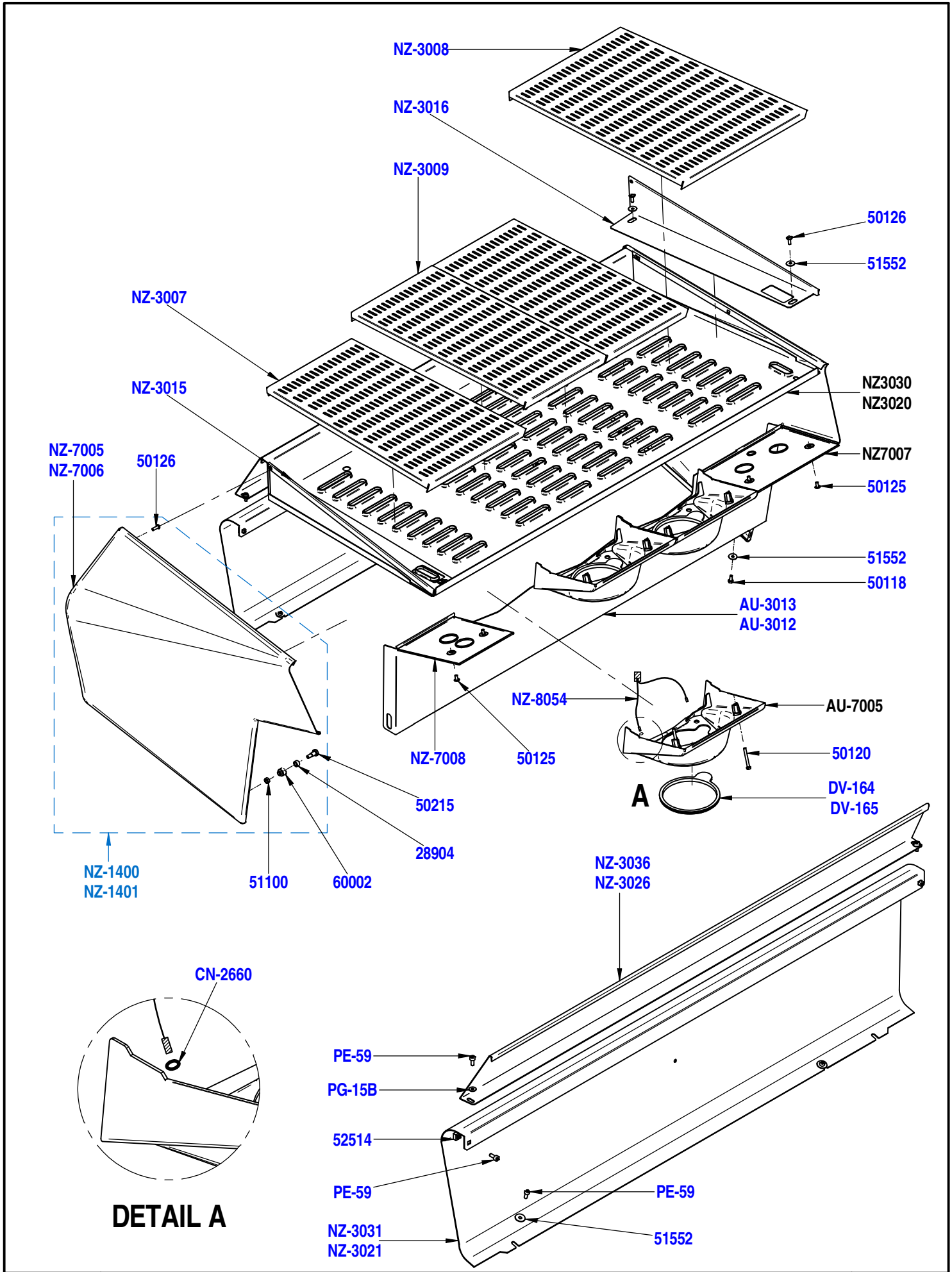


PLANCHE - PLATE 110

REF	ELUX	DESIGNATIONS FR	DESIGNATIONS GB
28904		RESSORT ELASTOMERE	RUBBER SPRING
50118		VIS TH M4X10 INOX	S.STEEL SCREW M4X10
50120		VIS TC M4X35 INOX	S.STEEL SCREW M4X35
50125		VIS TB CRUCIFORME A EMBASE M4 x 8	CRUCIFORM SCREW M4 x 8
50126		VIS TB CRUCIFORME A EMBASE M4 x 12	CRUCIFORM SCREW M4 x 12
50215		VIS EPAULEE COTE	SIDE SCREW
51100		ECROU M5 INOX	NUT M5
51552		RONDELLE INOX 4.25x14x0.8	S..STEEL WASHER 4.25x14x0.8
52514	0UN037	ECROU RAPIDE M4 EP:2	NUT M4
60002		DOUILLE RESSORT ELASTOMERE	RUBBER SPRING SOCKET
AU-3012		DEVANT AURA 2GR	2 UNITS AURA FRONT SHEET
AU-3013		DEVANT AURA 3GR	3 UNITS AURA FRONT SHEET
		CACHE GROUPE	UNIT COVER
AU-7005		CACHE GROUPE LED	LED UNIT COVER
CN-2660		JOINT TORIQUE 1.78X6.75 EPDM	O-RING 1,78X6,75 EPDM
DV-164		JOINT POUR JUPETTE NSF	GASKET COVER
DV-165		JOINT POUR JUPETTE NSF CAPTEUR	GASKET COVER SENSOR
NZ-1400		COTE GAUCHE STELLA MONTE	COMPLET LEFT SIDE STELLA
NZ-1401		COTE DROIT STELLA MONTE	COMPLET RIGHT SIDE STELLA
NZ-3007		VERRIERE GAUCHE	LEFT CUP RACK
NZ-3008		VERRIERE DROITE	RIGHT CUP RACK
NZ-3009		VERRIERE MODULE	MIDDLE CUP RACK
NZ-3015		COTE GAUCHE CHAUFFE TASSES	LEFT SIDE CUP WARMER
NZ-3016		COTE DROIT CHAUFFE TASSES	RIGHT SIDE CUP WARMER
NZ-3020		CHAUFFE TASSES 2GR	CUP WARMER 2 UNITS
NZ-3021		CHEMISE 2GR	REAR CASING 2 UNITS
NZ-3026		ARRIERE CHAUFFE TASSES 2GR	CUP WARMER BACK 2 UNITS
NZ-3030		CHAUFFE TASSES 3GR	CUP WARMER 3 UNITS
NZ-3031		CHEMISE 3GR	REAR CASING 3 UNITS
NZ-3036		ARRIERE CHAUFFE TASSES 3GR	CUP WARMER BACK 3 UNITS
NZ-7005		COTE GAUCHE	LEFT SIDE
NZ-7006		COTE DROIT	RIGHT SIDE
NZ-7007		CACHE ELECTROVANNE	ELECTROVALVE COVER
NZ-7008		CACHE ROBINET	TAP COVER
NZ-8054	0UN070	CABLE LED GROUPE	LED UNIT CABLE
PE-59		VIS TCHC M4x10 INOX	SCREW 4 X 10
PG-15B		RONDELLE INOX 4.2X10X0.8	WASHER



DETAIL A

PLANCHE - PLATE 111

REF	ELUX	DESIGNATIONS FR	DESIGNATIONS GB
45939		ADHESIF PIED MACHINE	STICKER FOOT
50402		VIS TCHC TETE BASSE M8X16 INOX	S.STEEL SCREW M8 X 16
CN-325		VIS INOX TC 4 x 6	SCREW M4 X 6
DO-195		VIS ACIER INOX TC 4 X 12	SCREW M4 X 12
DV4030		PIED ALU H30	FOOT H30
NM-002		PIED CAOUTCHOUC NOIR	FOOT
NM-1068		KIT 4 PIEDS ALU H30	HIGH FEET KIT
NM-1069		KIT 4 PIEDS ALU H44,5	HIGH FEET KIT
NM-1076		KIT 4 PIEDS ALU H74,5	HIGH FEET KIT
NM-176		PIED ALU POUR MACHINE NSF	FOOT FOR NSF MACHINE
NM-236		PIED ALU D50 H44.5	FOOT H44.5
NZ-2017		SUPPORT VIDANGE	DRAIN SUPPORT
NZ-2026		GRILLE DE BASSINE 2GR	2 UNITS OVERFLOW TRAY GRID
NZ-2032		SUPPORT GRILLES DE BASSINE 2GR	GRID SUPPORT 2 UNITS
NZ-2033		SUPPORT GRILLES DE BASSINE 3GR	GRID SUPPORT 3 UNITS
NZ-2036		GRILLE DE BASSINE 3GR	3 UNITS OVERFLOW TRAY GRID
NZ-2054		GRILLE DE BASSINE GAUCHE	LEFT OVERFLOW TRAY GRID
NZ-2055		GRILLE DE BASSINE DROITE	RIGHT OVERFLOW TRAY GRID
NZ-3023		BASSINE 2GR	2 UNITS OVERFLOW TRAY
NZ-3033		BASSINE 3GR	3 UNITS OVERFLOW TRAY
NZ-4002		ECROU MOLETE M6	NUT M6
NZ-7000		JOUE DE BASSINE GAUCHE	LEFT ORNAMENTAL OVERFLOW
NZ-7002		JOUE DE BASSINE DROITE	RIGHT ORNAMENTAL OVERFLOW
NZ-7024		PATIN PIED ARRIERE	REAR RUBBER FOOT
PG-15B		RONDELLE INOX 4.2X10X0.8	WASHER

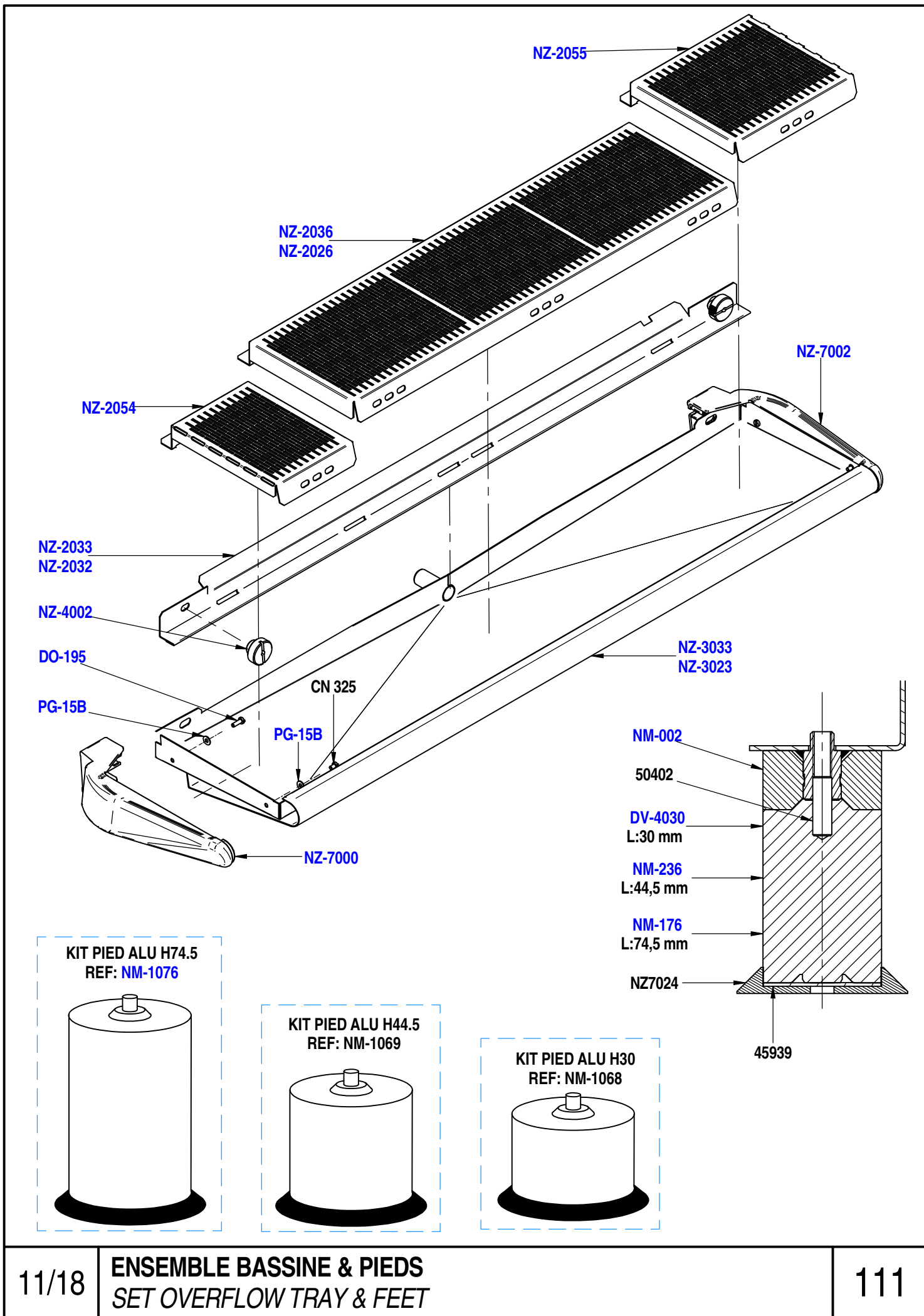


PLANCHE - PLATE 121

REF	ELUX	DESIGNATIONS FR	DESIGNATIONS GB
28904		RESSORT ELASTOMERE	RUBBER SPRING
45152	0UN108	BOITIER DOSAMAT	DOSAMAT ELECTRONIC BOX
45153	0UN089	BOITIER 2 TASSES	2 CUPS ELECTRONIC BOX
45154	0UN043	BST EAU CHAUDE / VAPEUR	HOT WATER / STEAM ELECTRONIC BOX
45155	0UN069	BST EAU CHAUDE / STEAMAIR	HOT WATER / STEAMAIR ELECTRONIC BOX
45173		BOITIER DOSAMAT SANS LOGO	DOSAMAT ELECTRONIC BOX WITHOUT LOGO
45174		BOITIER 2 TASSES SANS LOGO	2 CUPS ELECTRONIC BOX WITHOUT LOGO
45175		BST EAU CHAUDE / VAPEUR SANS LOGO	HOT WATER / STEAM BOX WITHOUT LOGO
45176		BST EAU CHAUDE / STEAMAIR SANS LOGO	HOT WATER / STEAMAIR BOX WITHOUT LOGO
50144		VIS TH M4 X 12 INOX	S.STEEL SCREW M4X12
50215		VIS EPAULEE COTE	SIDE SCREW
51100		ECROU M5 INOX	NUT M5
51552		RONDELLE INOX 4.25x14x0.8	S..STEEL WASHER 4.25x14x0.8
60002		DOUILLE RESSORT ELASTOMERE	RUBBER SPRING SOCKET
AU-2010		FIXATION POUR ENJOLIVER GAUCHE	FIXING FOR LEFT ORNAMENTAL EAR
AU-2011		FIXATION POUR ENJOLIVER DROIT	FIXING FOR RIGHT ORNAMENTAL EAR
AU-2012		PATTE FIXATION OREILLE	ORNAMENTAL EAR FIXING
AU-3030		CALANDRE AURA TACTILE 2GR	2 UNITS AURA FRONT PANEL
AU-3031		CALANDRE AURA TACTILE 3GR	3 UNITS AURA FRONT PANEL
AU-7010		ENJOLIVER GAUCHE	LEFT ORNAMENTAL EAR
AU-7011		ENJOLIVER DROIT	RIGHT ORNAMENTAL EAR

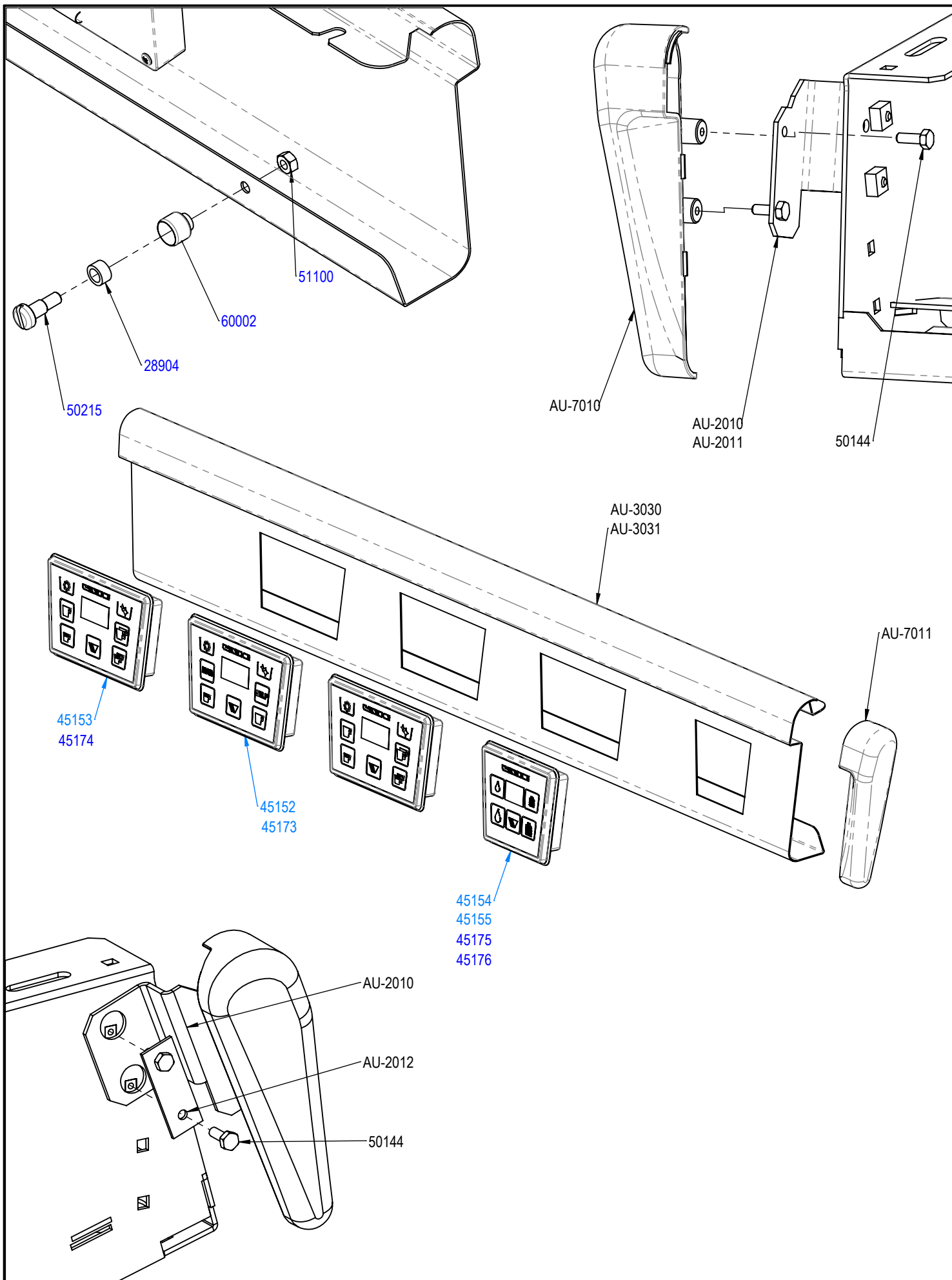
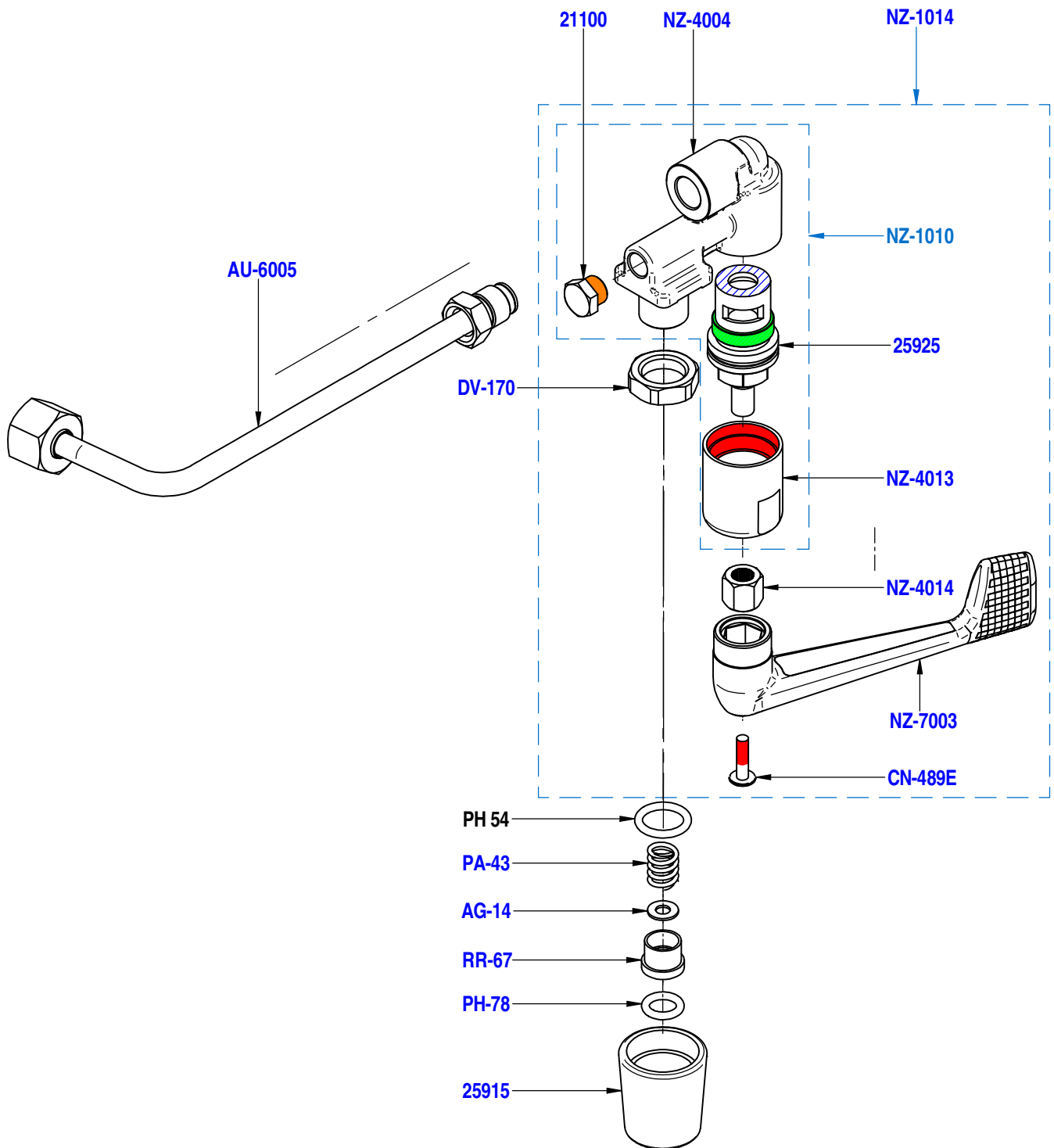


PLANCHE - PLATE 201

REF	ELUX	DESIGNATIONS FR	DESIGNATIONS GB
21100		BOUCHON 1/8	PLUG 1/8
25915		CACHE SORTIE EAU VAPEUR	COVER OUTLET STEAM WATER
25925		CARTOUCHE CERAMIQUE	CERAMIC CARTRIDGE
AG-14		JOINT CUIVRE M12	COPPER GASKET
AU6005		TUBE ROBINET VAPEUR	STEAM TAP PIPE
CN-489E		VIS INOX CHC 4 x 16 A EMBASE	SCREW M4 X 16 WITH BASE
DV-170		ECROU CHROME	NUT 3/8
NZ-1010		DOUBLE COMMANDE	DUAL COMMAND
NZ-1014		ROBINET VAPEUR COMPLET	STEAM TAP KIT
NZ-4004		ROBINET VAPEUR	STEAM TAP
NZ-4013		PALIER ROBINET VAPEUR	STEAM TAP COVER
NZ-4014		INSERT POIGNEE ROBINET	STEAM HANDLE INSERT
NZ-7003		POIGNEE VAPEUR	STEAM HANDLE
PA-43		RESSORT F15/10 L14,5 D10,5 P3	SPRING
PH-54		JOINT TORIQUE 2,62X13,95 EPDM	O RING - 13.95 x 2.62
PH-78		JOINT TORIQUE 2,62X9,13 EPDM	O RING - 9.13 X 2.62
RR-67		EMBOUIT LAITON	BRASS END







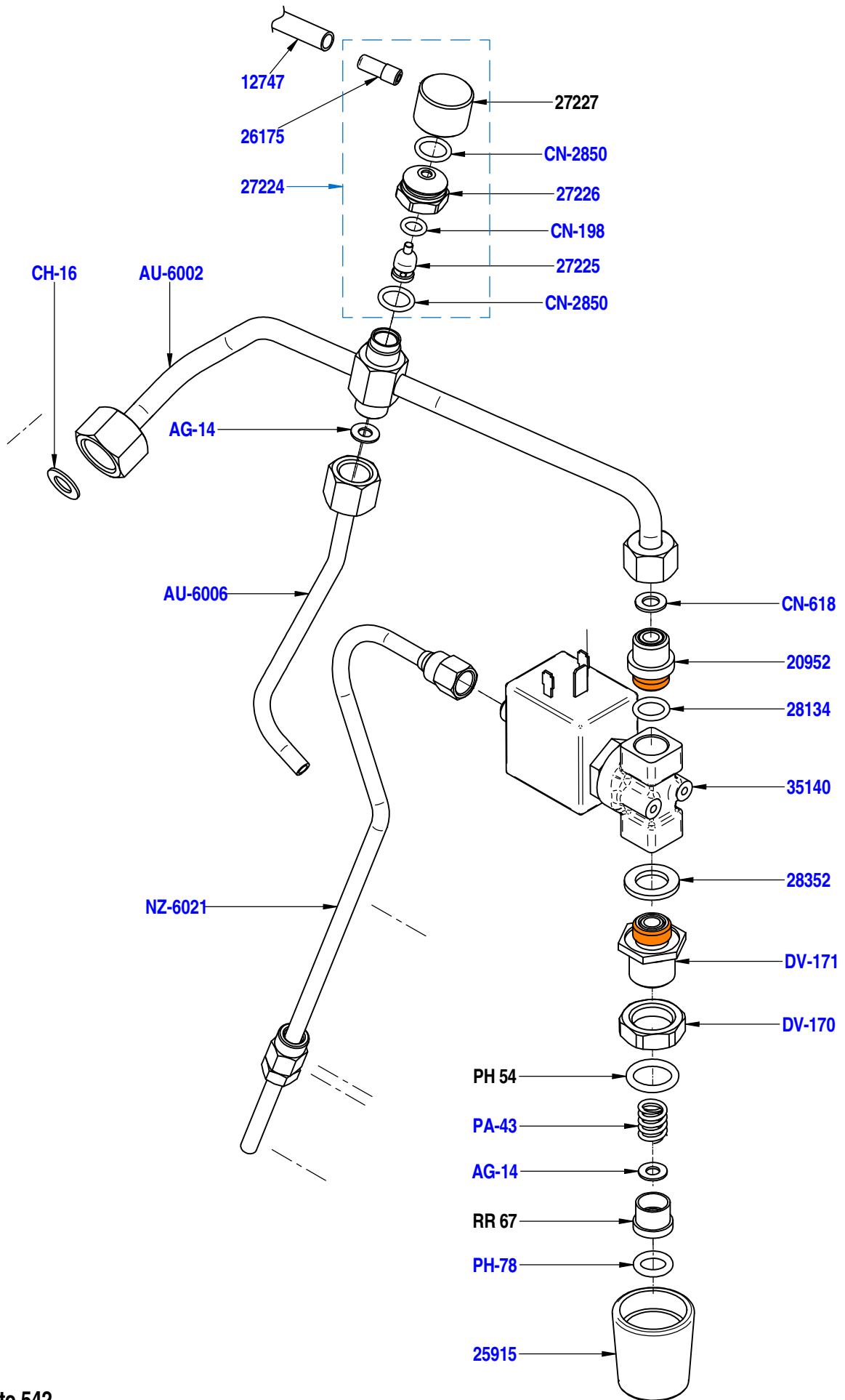
-  Graisse 84236
-  Loctite 601
-  Loctite 262
-  Loctite 542

PLANCHE - PLATE 202

REF	ELUX	DESIGNATIONS FR	DESIGNATIONS GB
12747		TUBE SILICONE SOUPLE 4 - 7	FLEXIBLE SILICONE PIPE 4 - 7
20952		RACCORD 1/4 MALE	FITTING 1/4 M
25915		CACHE SORTIE EAU VAPEUR	COVER OUTLET STEAM WATER
26175		EMBOUT M6	M6 NOZZLE
27224		KIT VALVE DE PURGE	VACCUM VALVE KIT
27225		TIGE VALVE SPHERIQUE	SPHERICAL ROD
27226		ECROU VALVE DE PURGE	VACCUM VALVE NUT
27227		CABOCHON VALVE DE PURGE	STOPPER PURGE VALVE
28134	0UN019	JOINT TORIQUE 2X9,5 NEXUS	O RING 2X9,5
28352	0UN017	JOINT PLAT 20X12X2 EPDM 70SH	GASKET 20X12X2
35140		ELECTROVANNE 3/2 24V-50/60Hz	ELECTROVALVE 3/2 24V-50/60
AG-14		JOINT CUIVRE M12	COPPER GASKET
AU-6002		TUBE EV VAPEUR	STEAM ELECTROVALVE PIPE
AU-6006		TUBE MANOMETRE BP	MANOMETER LP PIPE
CH-16		JOINT CUIVRE RECUIT 3/8	WASHER - COPPER - 3/8
CN-198		JOINT TORIQUE 1,78X6,07 FKM	GASKET - 6.07 x 1.78
CN-2850		JOINT TORIQUE 1,78X10,82	GASKET 10.82x1.78
CN-618		JOINT CUIVRE 1/4	GASKET - 1/4
DV-170		ECROU CHROME	NUT 3/8
DV-171		RACCORD 3/8-1/4	FITTING 3/8
NZ-6021		TUBE RILSAN EV 3V STELLA	DRAIN TUBE EV 3W STELLA
PA-43		RESSORT F15/10 L14,5 D10,5 P3	SPRING
PH-54		JOINT TORIQUE 2,62X13,95 EPDM	O RING - 13.95 x 2.62
PH-78		JOINT TORIQUE 2,62X9,13 EPDM	O RING - 9,13 X 2,62
RR-67		EMBOUT LAITON	BRASS END



 Loctite 542

PLANCHE - PLATE 211

REF	ELUX	DESIGNATIONS FR	DESIGNATIONS GB
25902		SORTIE VAPEUR STELLA INOX	STELLA S.STEEL STEAM OUTLET
25910		POIGNEE SORTIE EAU CHAUDE ET VAPEUR	HOT WATER AND STEAM OUTLET HANDLE
25911		BAGUE POUR POIGNEE EAU ET VAPEUR	WATER AND STEAM HANDLE COLLAR
25934		BRISE JET VAPEUR M6.75x0.75	BREEZE JET STEAM M6.75x0.75

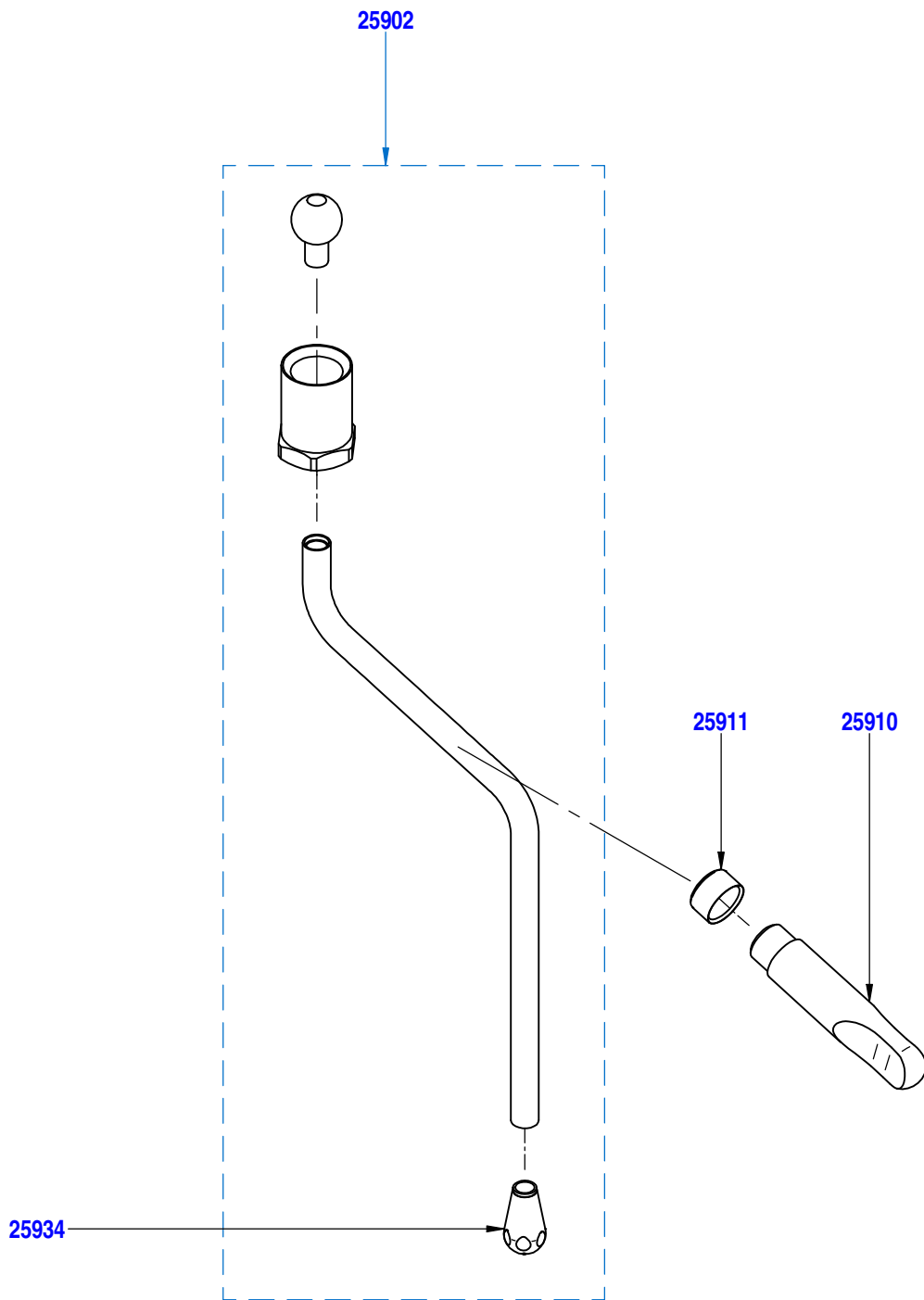
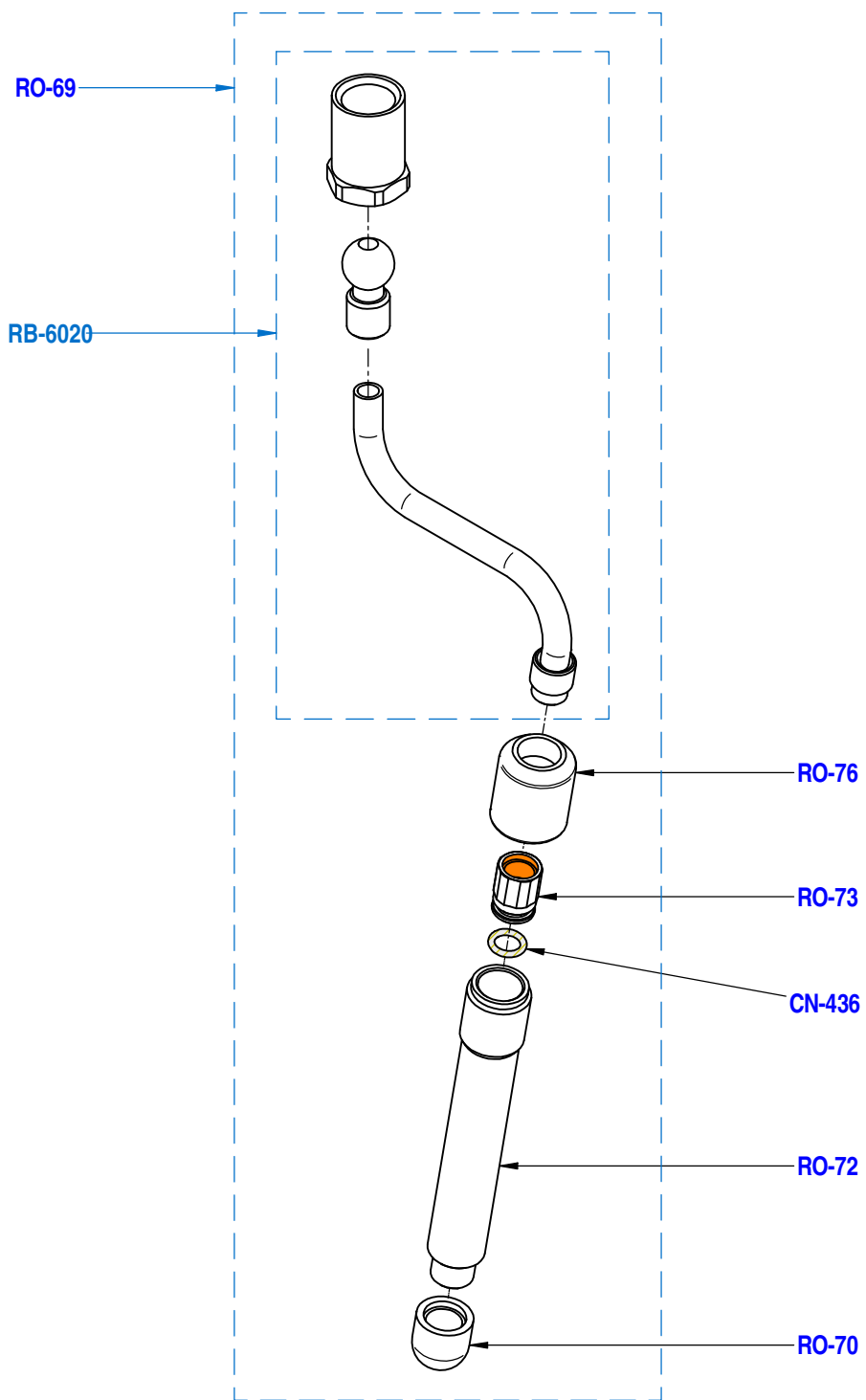


PLANCHE - PLATE 220

REF	ELUX	DESIGNATIONS FR	DESIGNATIONS GB
CN-436		JOINT TORIQUE 1,78X8,73 EPDM	GASKET 8,73 X 1,78
RB-6020		TUBE CHROME SORTIE VAPEUR NSF	STEAM OUTLET PIPE
RO-69		SORTIE VAPEUR TEFLON	TEFLON STEAM SPOUT
RO-70		EMBOUT VAPEUR TEFLON 6 TROUS	LOW TEFLON PIPE
RO-72		TUBE TEFLON	PIPE TEFLON
RO-73		RACCORD SORTIE VAPEUR	FITTING STEAM OUTLET
RO-76		BAGUE SORTIE VAPEUR	FITTING PLASTIC



 Graisse 8104

 Loctite 542

PLANCHE - PLATE 230

REF	ELUX	DESIGNATIONS FR	DESIGNATIONS GB
23119		GICLUR DIAM:0,9	GICLUER DIAM. 0.9
25708		RACCORD SORTIE DEBIT REGLABLE	ADJUSTABLE OUTLET FITTING
25710		MOLETTE POUR SORTIE DEBIT REGLABLE	ADJUSTABLE OUTLET TOOTHED WHEEL
25728		TUBE SORTIE EAU CHAUDE INOX	HOT WATER OUTLET PIPE
25900		BRISE JET BOULE POUR IRISH	ANTI PLASH BALL FOR IRISH
25910		POIGNEE SORTIE EAU CHAUDE ET VAPEUR	HOT WATER AND STEAM OUTLET HANDLE
25911		BAGUE POUR POIGNEE EAU ET VAPEUR	WATER AND STEAM HANDLE COLLAR
25921		RALLONGE SORTIE IRISH	IRISH OUTLET EXTENSION
25922		EMBOUT SORTIE IRISH DEBIT REGLABLE	ADJUSTABLE FLOW IRISH NOZZLE
46028		AUTOCOLLANT SORTIES REGLABLES	ADJUSTABLE OUTLET STICKER
CN-436		JOINT TORIQUE 1,78X8,73 EPDM	GASKET 8,73 X 1,78
DV-1025		SORTIE VAPEUR DEBIT REGLABLE	ADJUSTABLE FLOW STEAM OUTLET

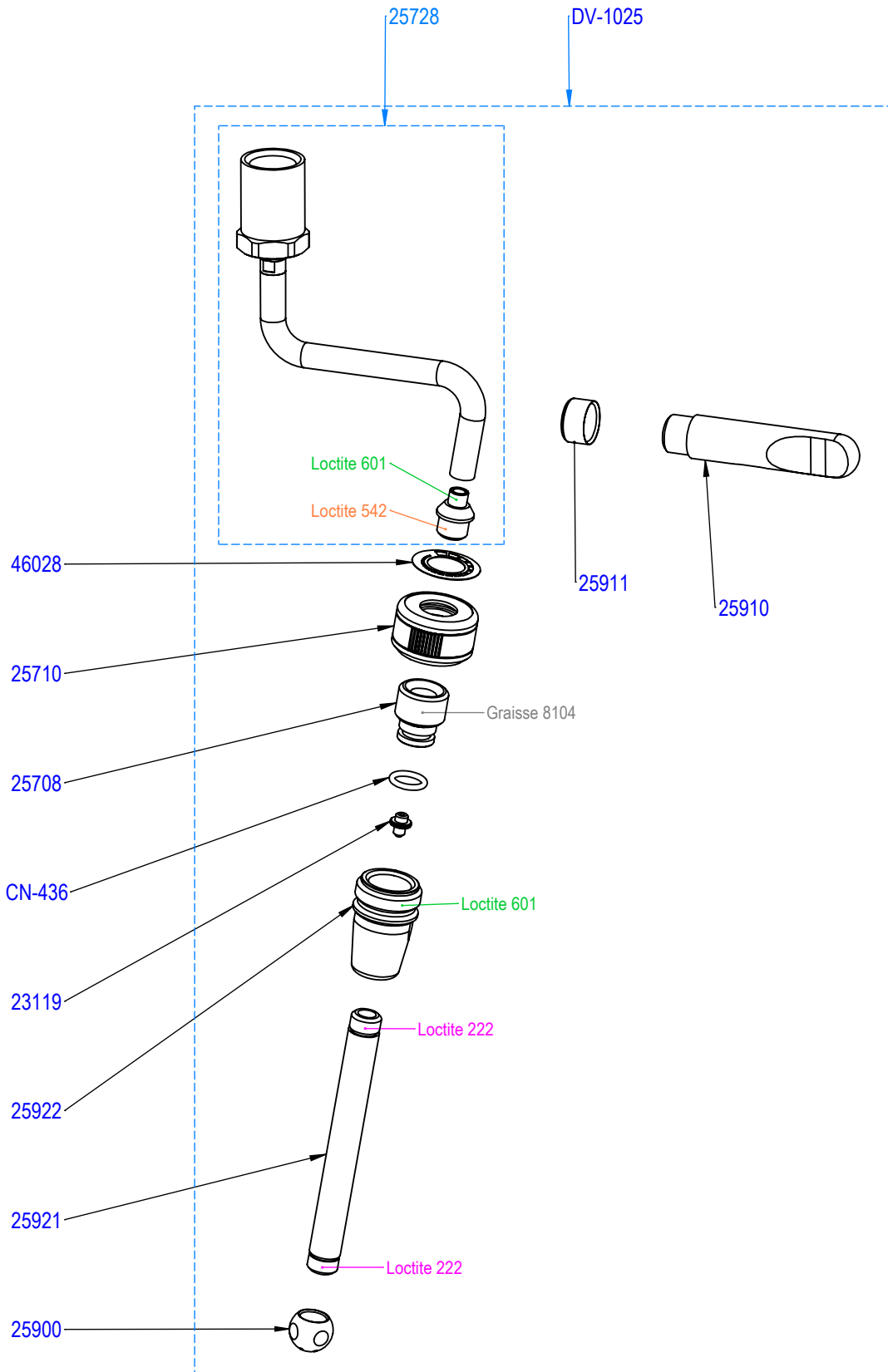


PLANCHE - PLATE 240

REF	ELUX	DESIGNATIONS FR	DESIGNATIONS GB
25905		SUPPORT DE SONDE	PROBE SUPPORT
25907		TUBE PTFE STEAMAIR	PTFE STEAMAIR PIPE
25909		EMBOUT PTFE 12 TROUS	12 HOLES END PIPE
34405	0UN112	SONDE VAPEUR THERMOSTATEE	THERMOSTATED STEAM PROBE
CN-436		JOINT TORIQUE 1,78X8,73 EPDM	GASKET 8,73 X 1,78
DV-1015		SORTIE STEAMAIR	STEAMAIR OUTLET
PC-38		VIS STHC M5X8 BOUT POINTU	POINT END SCREW
RO-55		BARILLET	BARREL
RO-57		MELANGEUR EN LAITON	MIXER
RO-58		POUSSOIR A BILLE	THRUST BALL BEARING
RO-59A		TUBE SORTIE VAPEUR SP	CHROME COPPER TUBE
RO-68		CACHE BARILLET	BARREL COVER

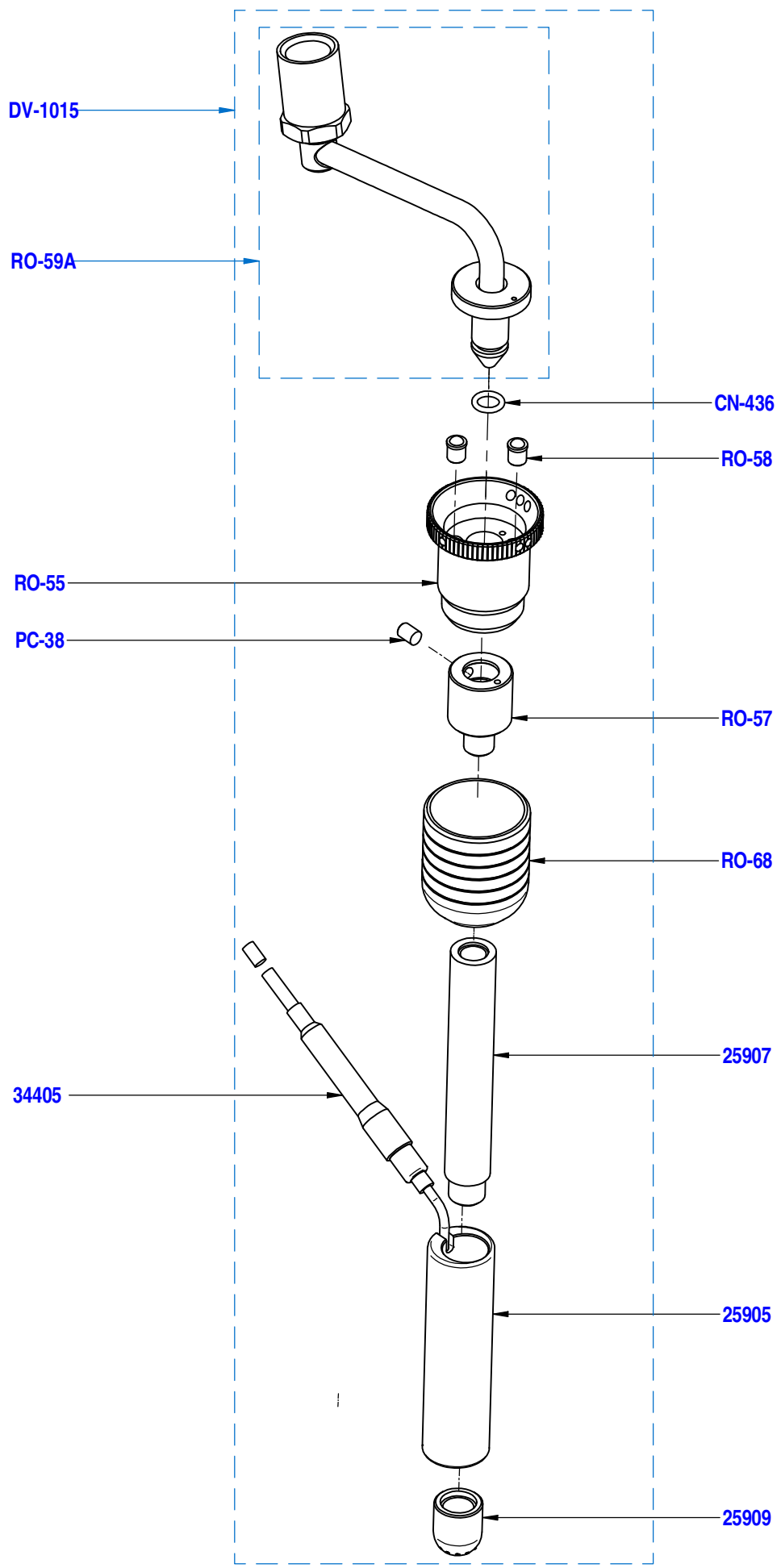
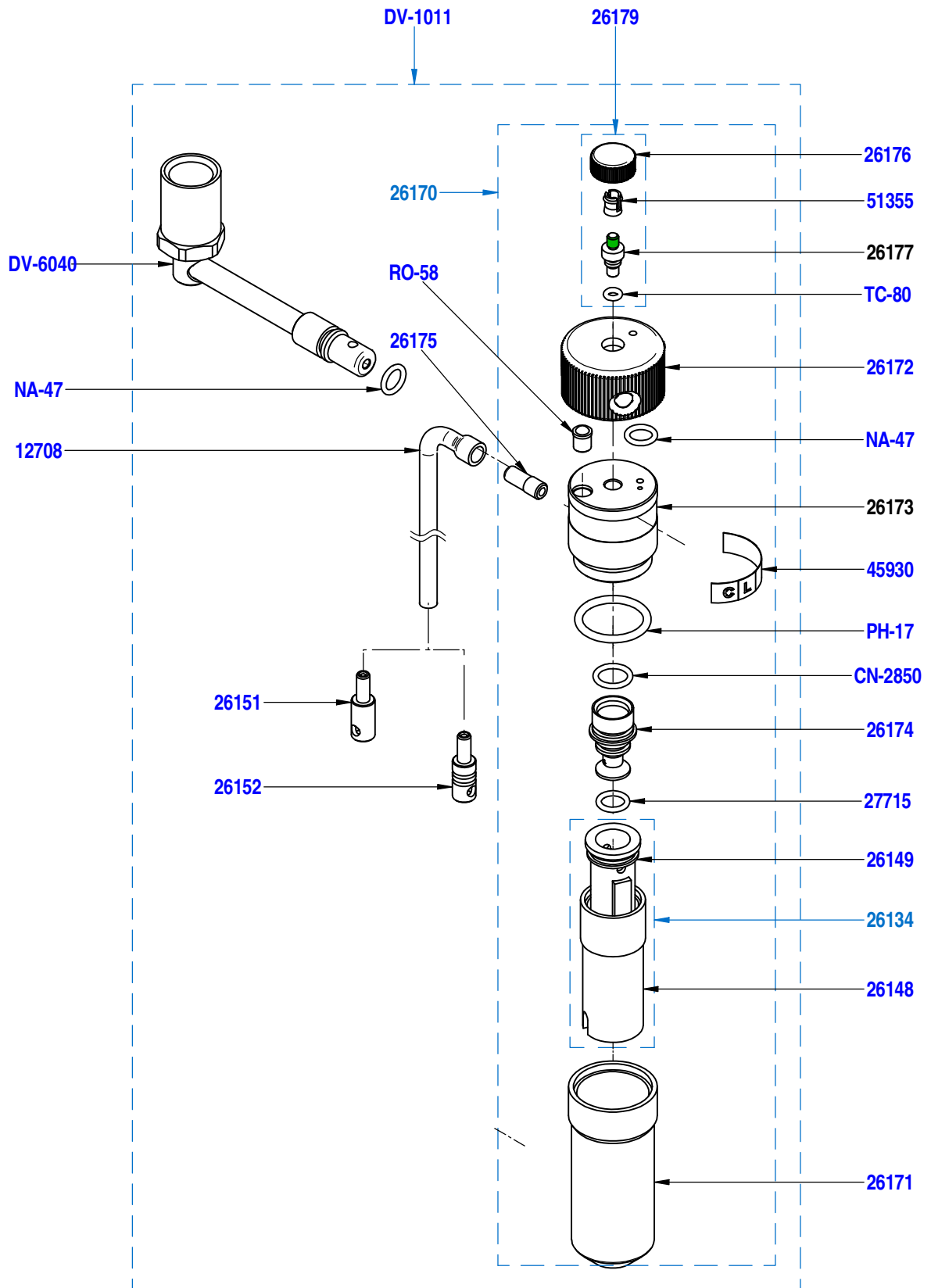


PLANCHE - PLATE 246

REF	ELUX	DESIGNATIONS FR	DESIGNATIONS GB
12708	OUN073	TUBE SILICONE CAPPUCCINATORE L	CAPPUCCINATORE SILICONE PIPE
26134		CAPPUCCINO IDEA	CAPPUCCINATORE
26148		BRISE JET	ANTI PLASH PLUG
26149		MOUSSEUR	FROTHER
26151		REDUCTEUR CAPPUCCINATORE D1.7	CAPPUCCINATORE REDUCER D1.7
26152		REDUCTEUR CAPPUCCINATORE D2	CAPPUCCINATORE REDUCER D2
26170		SORTIE CAPPUCCINATORE LC	LC CAPPUCCINATORE OUTLET
26171		BEC VERSEUR	SPOUT
26172		MANETTE	LEVER
26173		CORPS	BODY
26174		MELANGEUR	MIXER
26175		EMBOUT M6	M6 NOZZLE
26176		MOLETTE VIS	SCREW PLUG
26177		AXE M4	M4 AXLE
26179		VIS M4 COMPLET	WHOLE M4 SCREW
27715		JOINT TORIQUE 1,78X8,73 SILICONE	GASKET 8,73 X 1,78
45930		ETIQUETTE LC	LC STICKER
51255		VIS TH M6 X 10 INOX	S. STEEL SCREW M6 X 10
CN-2850		JOINT TORIQUE 1,78X10,82	GASKET 10.82x1.78
DV-1011		KIT CAPPUCCINATORE COMPLET	WHOLE CAPPUCCINATORE KIT
DV-6040		TUBE CUIVRE LC	LC COPPER PIPE
NA-47		JOINT TORIQUE 1.78X7.66 EPDM	O RING - 1.78 X 7.66 EPDM
PH-17		JOINT TORIQUE 2,62X20,63 EPDM	GASKET 20,63 X 2,62
RO-58		POUSSOIR A BILLE	THRUST BALL BEARING
TC-80		JOINT TORIQUE 1,78X2,90 FKM	GASKET 1.78X2.90 FKM



 Loctite 601

PLANCHE - PLATE 251

REF	ELUX	DESIGNATIONS FR	DESIGNATIONS GB
20957		RACCORD DROIT 1/8G	FITTING 1/8G
20990		RACCORD 3/8M 3/8M 1/8F	FITTING 3/8M 3/8M 1/8F
25915		CACHE SORTIE EAU VAPEUR	COVER OUTLET STEAM WATER
26301	0UN030	CLAPET ANTI-RETOUR 1/8	NO RETURN VALVE 1/8
28134	0UN019	JOINT TORIQUE 2X9,5 NEXUS	O RING 2X9,5
50125		VIS TB CRUCIFORME A EMBASE M4 x 8	CRUCIFORM SCREW M4 x 8
51351		ECROU 1/8	NUT 1/8
AU-1072		EV SORTIE EAU CHAUDE MITIGEE	EV HOT WATER MIXED
AU-6072		TUBE ALIMENTATION EV EAU CHAUDE	PIPE HOT WATER EV FILLING
CN-436		JOINT TORIQUE 1,78X8,73 EPDM	GASKET 8,73 X 1,78
CN-631R		EV 2V REGL. 24V-50/60Hz	ELECTROVALVE 2W ADJ. 24V-50/60Hz
DV-170		ECROU CHROME	NUT 3/8
DV-203		JOINT PLAT CUIVRE 1/4 D:2mm	WASHER 1/4 D:2
FR-4049		RACCORD 1/8M M8 X 100	FITTING 1/8M M8 X 100
FR-4136		RACCORD SORTIE EAU MITIGEE	MIXED WATER FITTING
FR-4138		BOUCHON MELANGEUR	MIXER CAP
ID-129		VIS INOX POELIER VM 4 X 8	SCREW 4 X 8
MI-18		RACCORD MM 1/4 - 1/8 G	FITTING - 1/8 x 1/4
NA-18		ECROU LAITON 3/8 6 mm	3/8 NUT
NZ-6528		TUBE PTFE L:280 mm	PTFE PIPE L:280 mm
PA-43		RESSORT F15/10 L14,5 D10,5 P3	SPRING
PH-54		JOINT TORIQUE 2,62X13,95 EPDM	O RING - 13.95 x 2.62
PH-78		JOINT TORIQUE 2,62X9,13 EPDM	O RING - 9,13 X 2,62
RR-67		EMBOUT LAITON	BRASS END
TG-6506		TUBE PTFE	PTFE PIPE

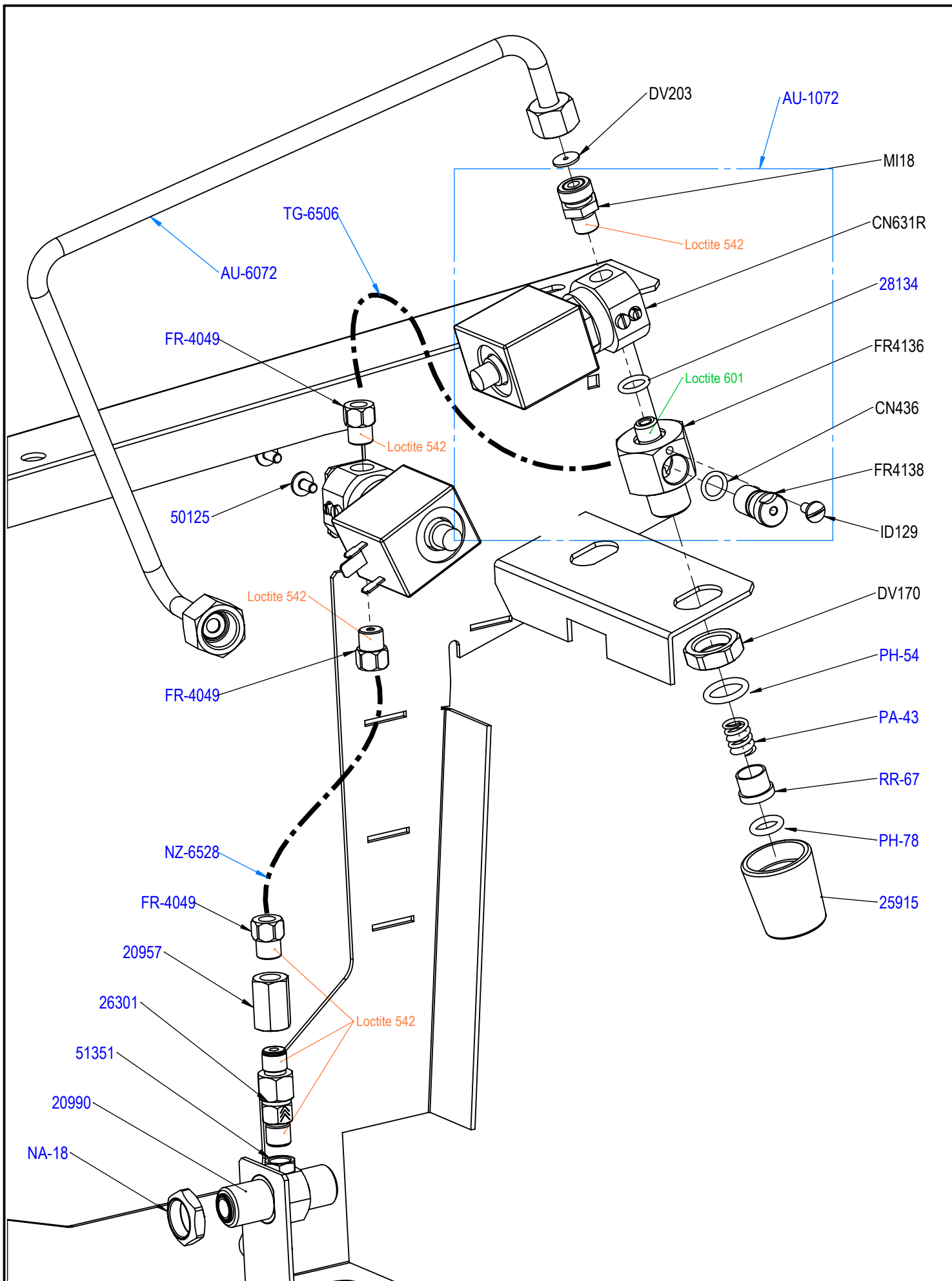


PLANCHE - PLATE 261

REF	ELUX	DESIGNATIONS FR	DESIGNATIONS GB
25716		BRISE JET POUR TUBE INOX EAU CHAUDE	<i>WINDSHIELD FOR HOT WATER PIPE</i>
25728		TUBE SORTIE EAU CHAUDE INOX	<i>HOT WATER OUTLET PIPE</i>
25730		SORTIE EAU CHAUDE INOX COMPLETE	<i>HOT WATER OUTLET</i>
25910		POIGNEE SORTIE EAU CHAUDE ET VAPEUR	<i>HOT WATER AND STEAM OUTLET HANDLE</i>
25911		BAGUE POUR POIGNEE EAU ET VAPEUR	<i>WATER AND STEAM HANDLE COLLAR</i>

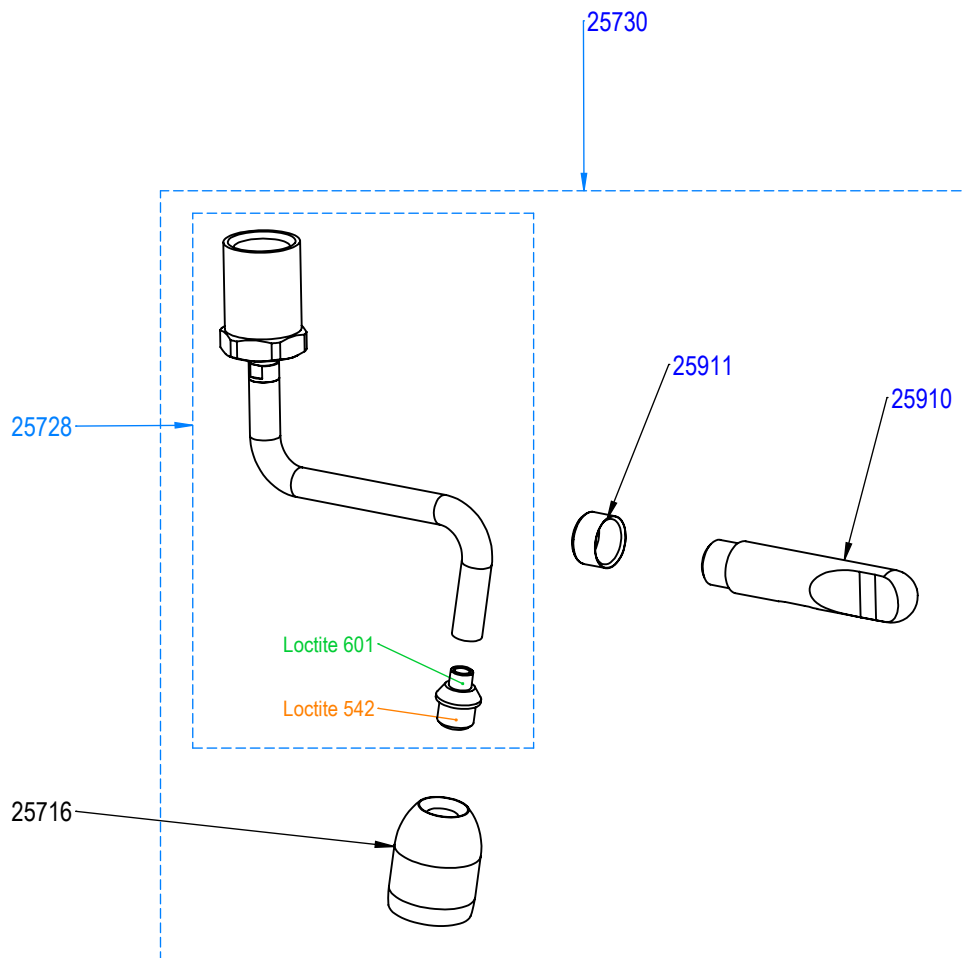


PLANCHE - PLATE 271

REF	ELUX	DESIGNATIONS FR	DESIGNATIONS GB
23118		SUPPORT GICLUR SORTIE EAU CHAUDE	HOT WATER GICLUR SUPPORT
23119		GICLUR DIAM:0,9	GICLUR DIAM. 0.9
25708		RACCORD SORTIE DEBIT REGLABLE	ADJUSTABLE OUTLET FITTING
25710		MOLETTE POUR SORTIE DEBIT REGLABLE	ADJUSTABLE OUTLET TOOTHED WHEEL
25712		EMBOUT EAU CHAUDE DEBIT REGLABLE	ADJUSTABLE HOT WATER SPOUT
25728		TUBE SORTIE EAU CHAUDE INOX	HOT WATER OUTLET PIPE
25910		POIGNEE SORTIE EAU CHAUDE ET VAPEUR	HOT WATER AND STEAM OUTLET HANDLE
25911		BAGUE POUR POIGNEE EAU ET VAPEUR	WATER AND STEAM HANDLE COLLAR
46028		AUTOCOLLANT SORTIES REGLABLES	ADJUSTABLE OUTLET STICKER
CN-436		JOINT TORIQUE 1,78X8,73 EPDM	GASKET 8,73 X 1,78
DV-1024		SORTIE EAU CHAUDE REGLABLE	ADJUSTABLE HOT WATER OUTLET

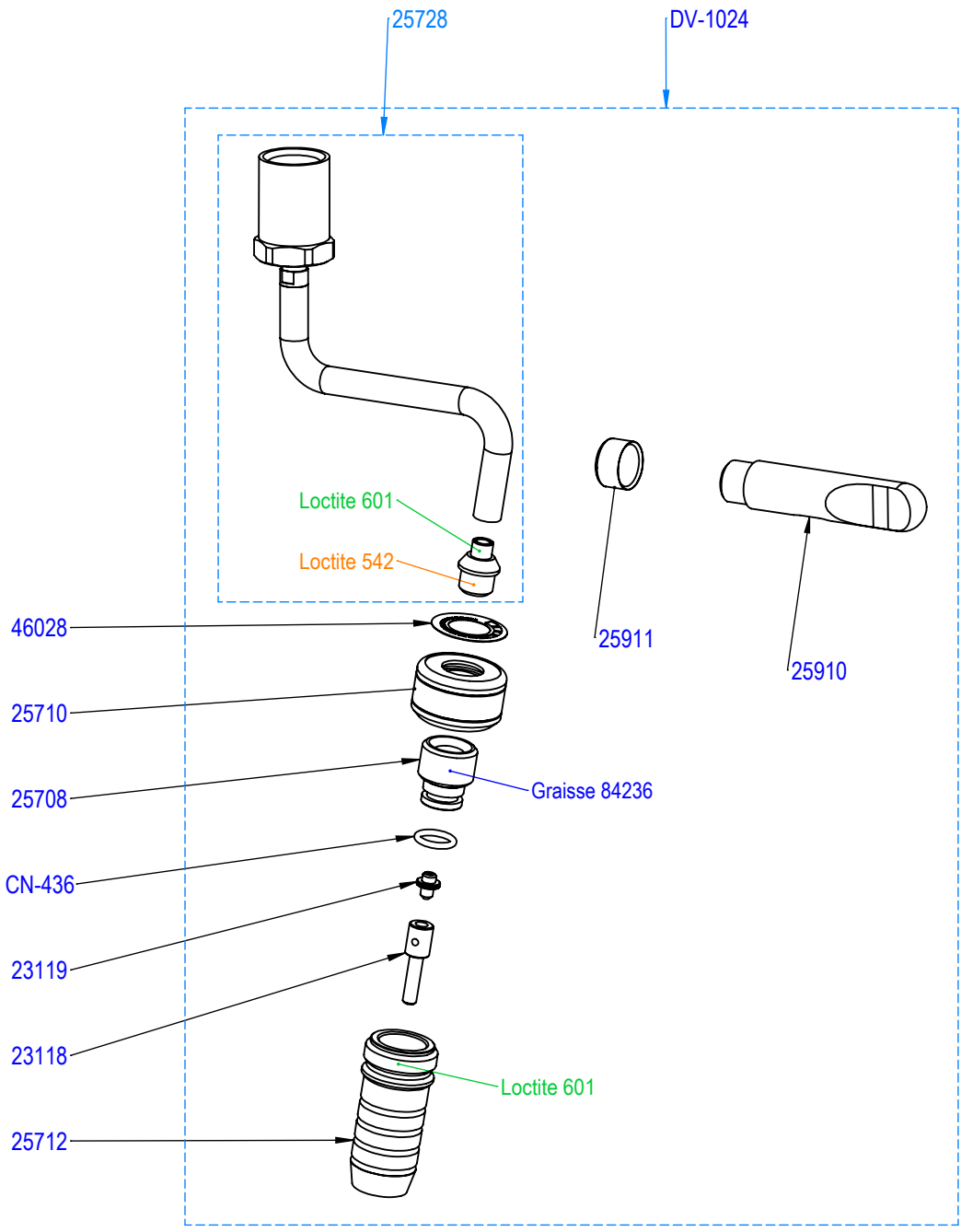


PLANCHE - PLATE 302

REF	ELUX	DESIGNATIONS FR	DESIGNATIONS GB
AU-6000		TUBE ALIMENTATION GROUPES	ALIMENTATION GROUPS PIPE
AU-6002		TUBE EV VAPEUR	STEAM ELECTROVALVE PIPE
AU-6004		TUBE REMPLISSAGE CHAUDIERE	BOILER FEEDING PIPE
AU-6005		TUBE ROBINET VAPEUR	STEAM TAP PIPE
AU-6006		TUBE MANOMETRE BP	MANOMETER LP PIPE
AU-6007		TUBE DECOMPRESSION GR AURA	DECOMPRESSION GROUP PIPE
AU-6072		TUBE ALIMENTATION EV EAU CHAUDE	PIPE HOT WATER EV FILLING
DV-6014		TUBE CUIVRE MANOMETRE HP	PIPE HP MANOMETER
ID-75		TUBE FLEXIBLE COUDE ARME INOX	FLEXIBLE PIPE
NZ-6008		RAMPE DOSEUR ET ENTREE EAU	WATER FEEDING & DOSER PIPE
NZ-6013		TUBE CAPTEUR VAPEUR	STEAM SENSOR PIPE
NZ-6528		TUBE PTFE L:280 mm	PTFE PIPE L:280 mm
TG-6506		TUBE PTFE	PTFE PIPE

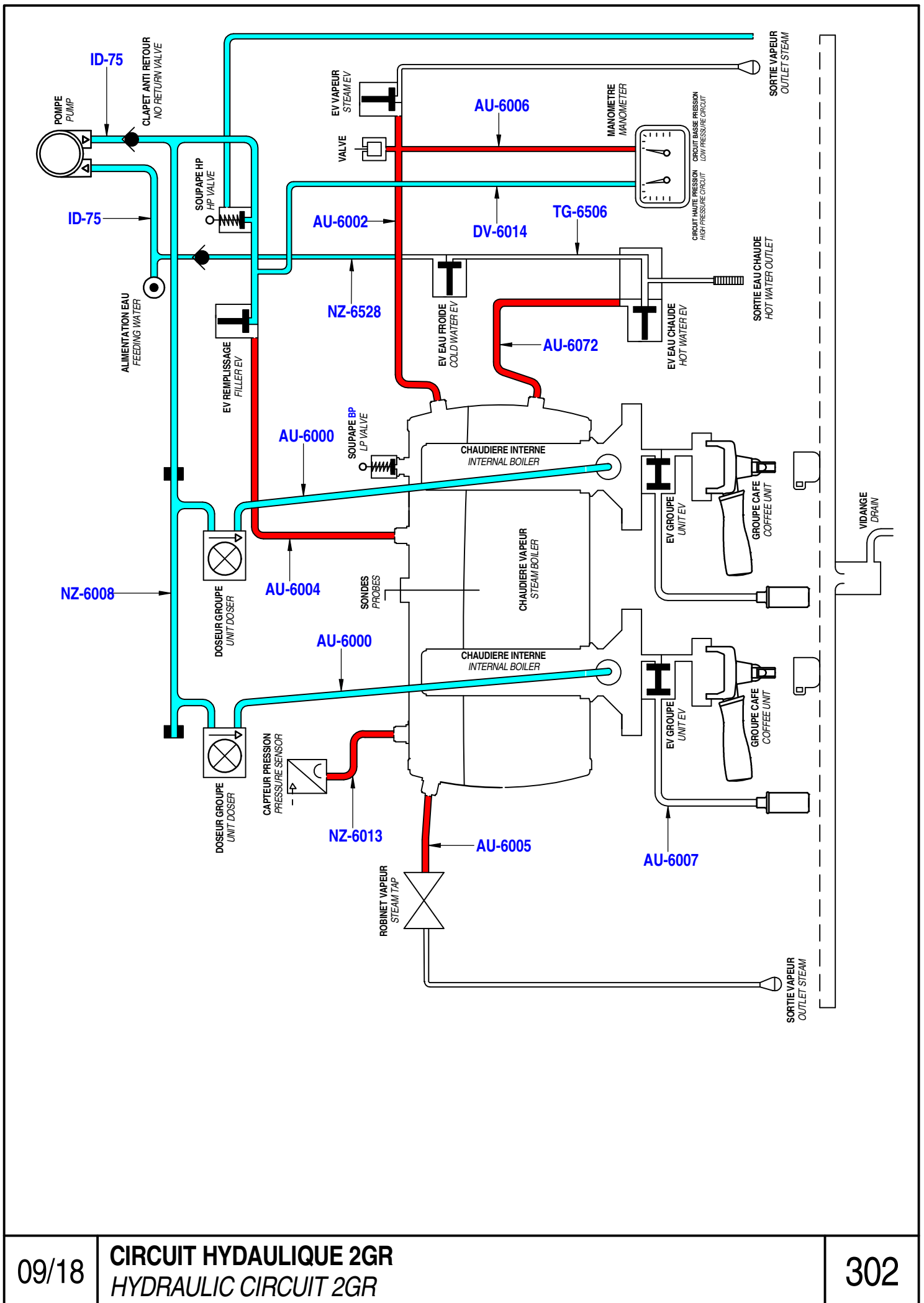


PLANCHE - PLATE 303

REF	ELUX	DESIGNATIONS FR	DESIGNATIONS GB
AU-6000		TUBE ALIMENTATION GROUPES	ALIMENTATION GROUPS PIPE
AU-6002		TUBE EV VAPEUR	STEAM ELECTROVALVE PIPE
AU-6004		TUBE REMPLISSAGE CHAUDIERE	BOILER FEEDING PIPE
AU-6005		TUBE ROBINET VAPEUR	STEAM TAP PIPE
AU-6006		TUBE MANOMETRE BP	MANOMETER LP PIPE
AU-6007		TUBE DECOMPRESSION GR AURA	DECOMPRESSION GROUP PIPE
AU-6072		TUBE ALIMENTATION EV EAU CHAUDE	PIPE HOT WATER EV FILLING
DV-6014		TUBE CUIVRE MANOMETRE HP	PIPE HP MANOMETER
ID-75		TUBE FLEXIBLE COUDE ARME INOX	FLEXIBLE PIPE
NZ-6007		RAMPE DOSEUR EAU	WATER DOSER PIPE
NZ-6008		RAMPE DOSEUR ET ENTREE EAU	WATER FEEDING & DOSER PIPE
NZ-6013		TUBE CAPTEUR VAPEUR	STEAM SENSOR PIPE
NZ-6528		TUBE PTFE L:280 mm	PTFE PIPE L:280 mm
TG-6506		TUBE PTFE	PTFE PIPE

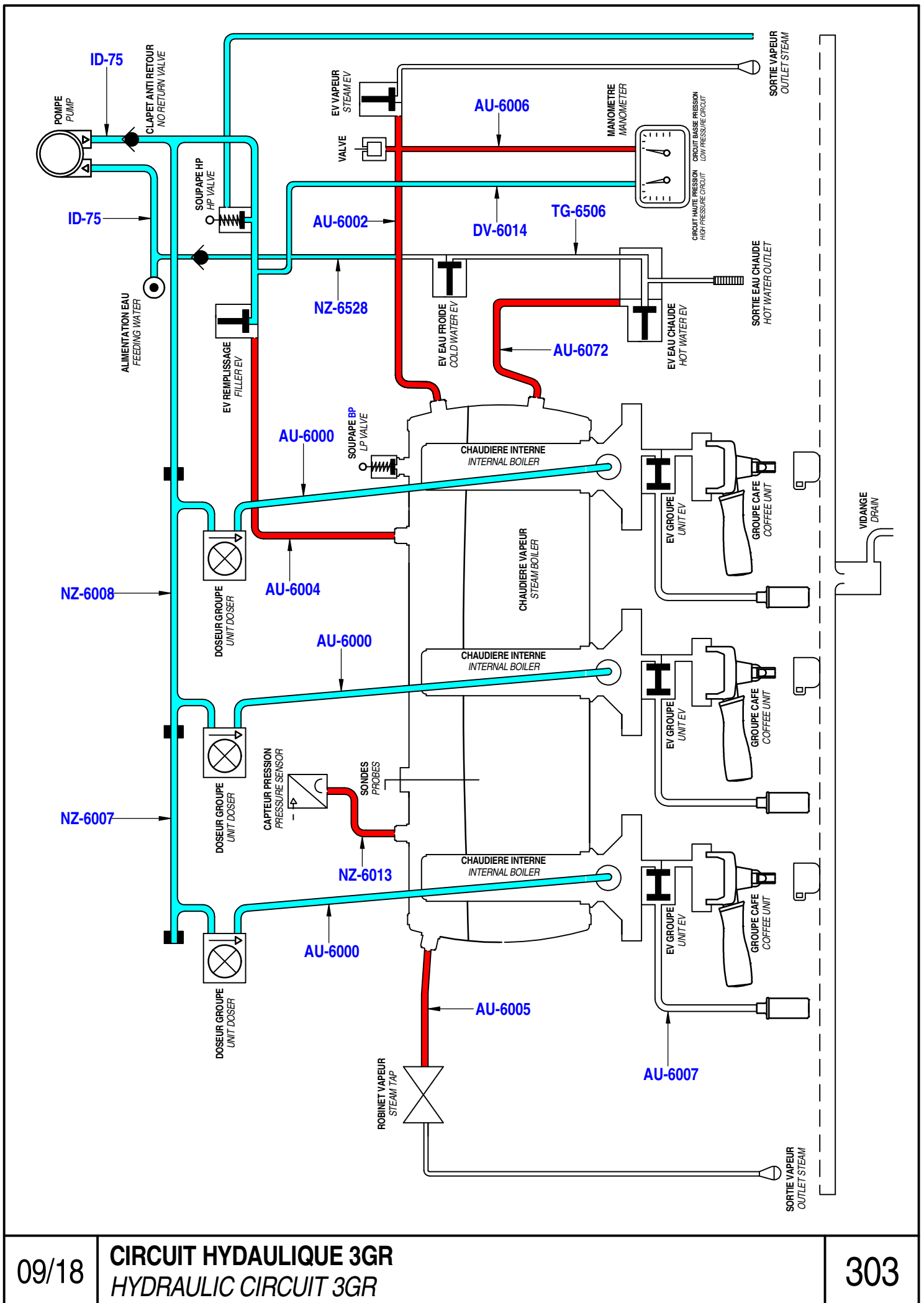


PLANCHE - PLATE 320

REF	ELUX	DESIGNATIONS FR	DESIGNATIONS GB
37205		BY PASS POUR POMPE FLUIDOTECH	BY PASS FOR FLUIDOTECH PUMP
37206		POMPE ROTATIVE 100L/H SANS PLOMB	UNLEADED PUMP 100L/H
37207	OUN056	POMPE ROTATIVE 200L/H SANS PLOMB	UNLEADED PUMP 200L/H
37217		ENTRETOISE POUR ACCOUP. MOTEUR-POMPE	SPACER 48 YZ
37218		ACCOUPEMENT MALE/FEMELLE MOTEUR-POMPE	ACCOUPEMENT MALE/FEMALE
37219		COLLIER POUR POMPE FLUIDOTECH	CLAMP
37222		KIT ACCOUPEMENT MOTEUR POMPE	GANGING RING KIT
37228		MOTEUR POMPE 120W 220-230V 50-60Hz UL	PUMP MOTOR 120W 220-230V 50-60Hz UL
37229		MOTEUR POMPE 165W 220-230V 50-60Hz UL	PUMP MOTOR 165W 220-230V 50-60Hz UL
37242		MOTEUR POMPE 120W 110V 60Hz - UL	PUMP MOTOR 120W 110V 60Hz - UL
37243		MOTEUR POMPE 120W 220-230V 50-60Hz	PUMP MOTOR 120W 220-230V 50-60Hz
37244		MOTEUR POMPE 165W 220-230V 50-60Hz	PUMP MOTOR 165W 220-230V 50-60Hz
51655		RONDELLE GROWER DE 6	WASHER 6
AE-13A		ECROU INOX Hu 6-100	NUT M6
CH-16		JOINT CUIVRE RECUIT 3/8	WASHER - COPPER - 3/8
CN-347A		RACCORD D'ALIM. 3/8 - 3/8 MM	FITTING - 3/8 X 3/8 -
CN-347C		RACCORD D'ALIM 3/8 3/8	FITTING 3/8 3/8
DO-19		PLOT APB 20-20	SILENTBLOC
DO-45		VIS ACIER ZN TH 6 X 8	SCREW 6 X 8

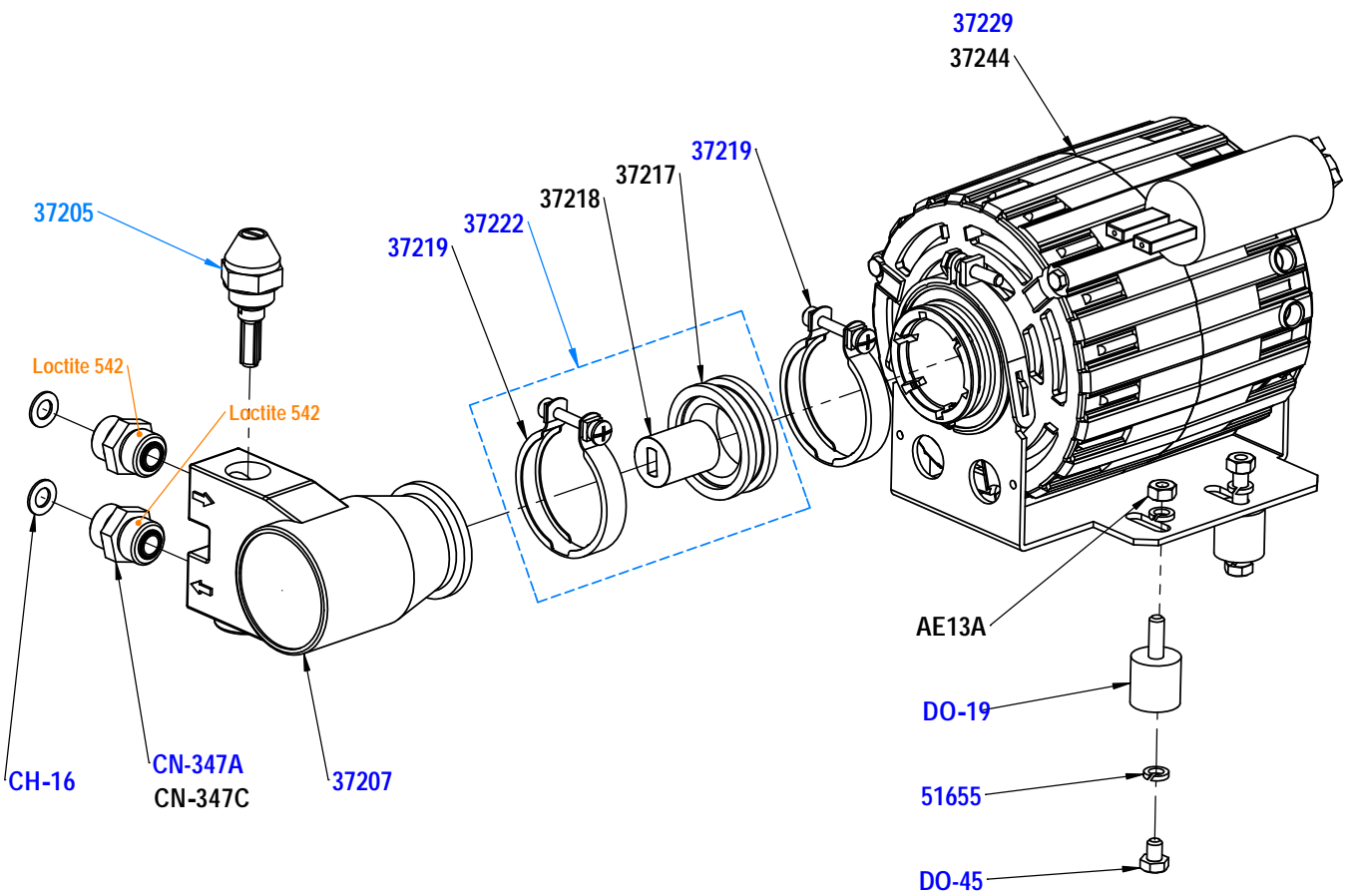
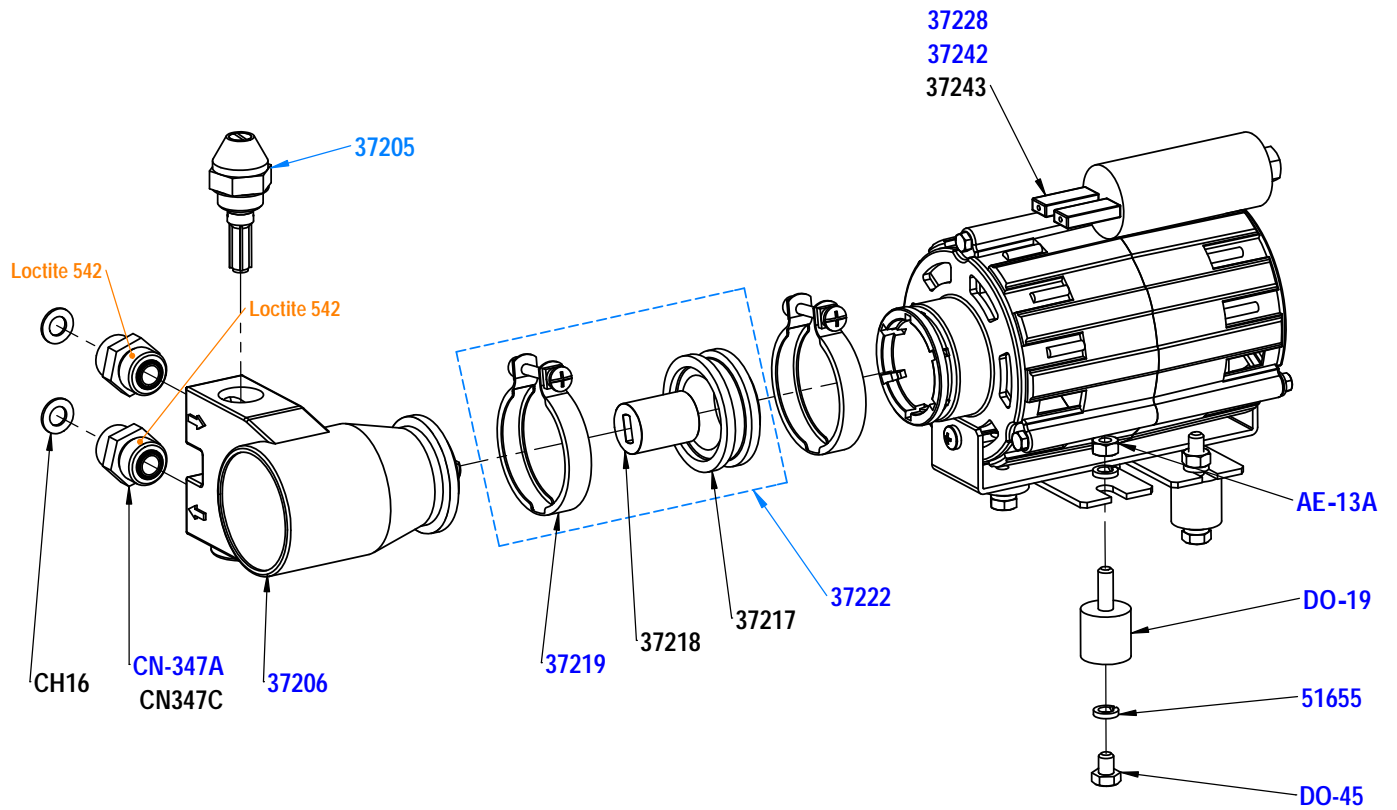


PLANCHE - PLATE 331

REF	ELUX	DESIGNATIONS FR	DESIGNATIONS GB
23760		AXE BANJO 1/4	BANJO SCREW 1/4
27796	0UN023	JOINT TORIQUE 1,78 X 12,42 NEXUS	O RING 1.78 X 12,42
CH-10		ECROU BORGNE 3/8	CAP NUT 3/8
CH-16		JOINT CUIVRE RECUIT 3/8	WASHER - COPPER - 3/8
CN-648	0UN109	COMPTEUR VOLUMETRIQUE	WHOLE W.DOSING DEVICE
CN-828	0UN006	JOINT TORIQ DESSUS DOSEUR EAU	GASKET - DOSING DEVICE
CN-829	0UN086	TURBINE DE COMPTEUR VOLUMETR.	TURBINE
DV-172		JOINT PLAT 11.4 X 7.5 X 1.9	GASKET
DV-44		VIS TH M4X10 ACIER	SCREW M4x10
NZ-6007		RAMPE DOSEUR EAU	WATER DOSER PIPE
NZ-6008		RAMPE DOSEUR ET ENTREE EAU	WATER FEEDING & DOSER PIPE

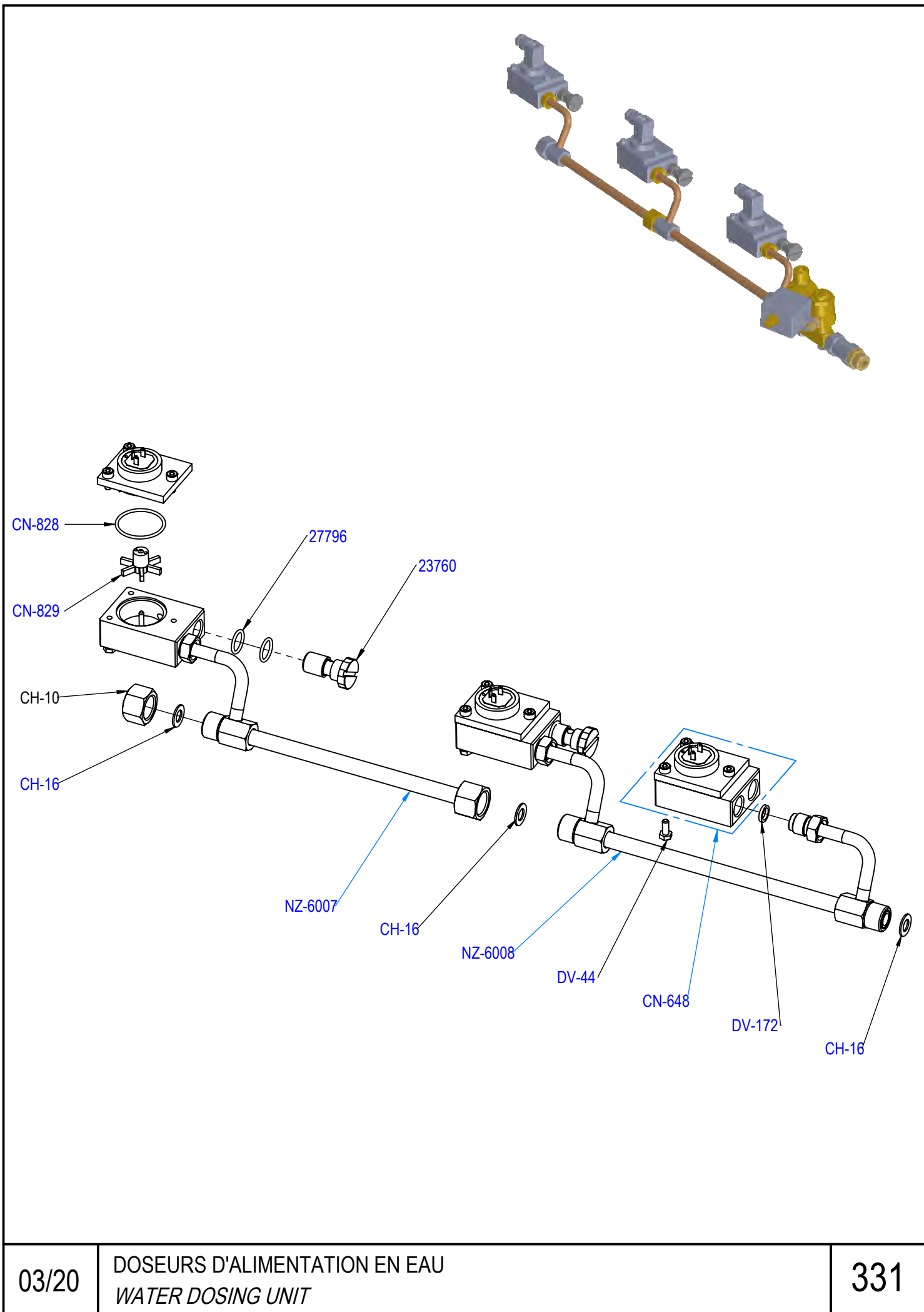
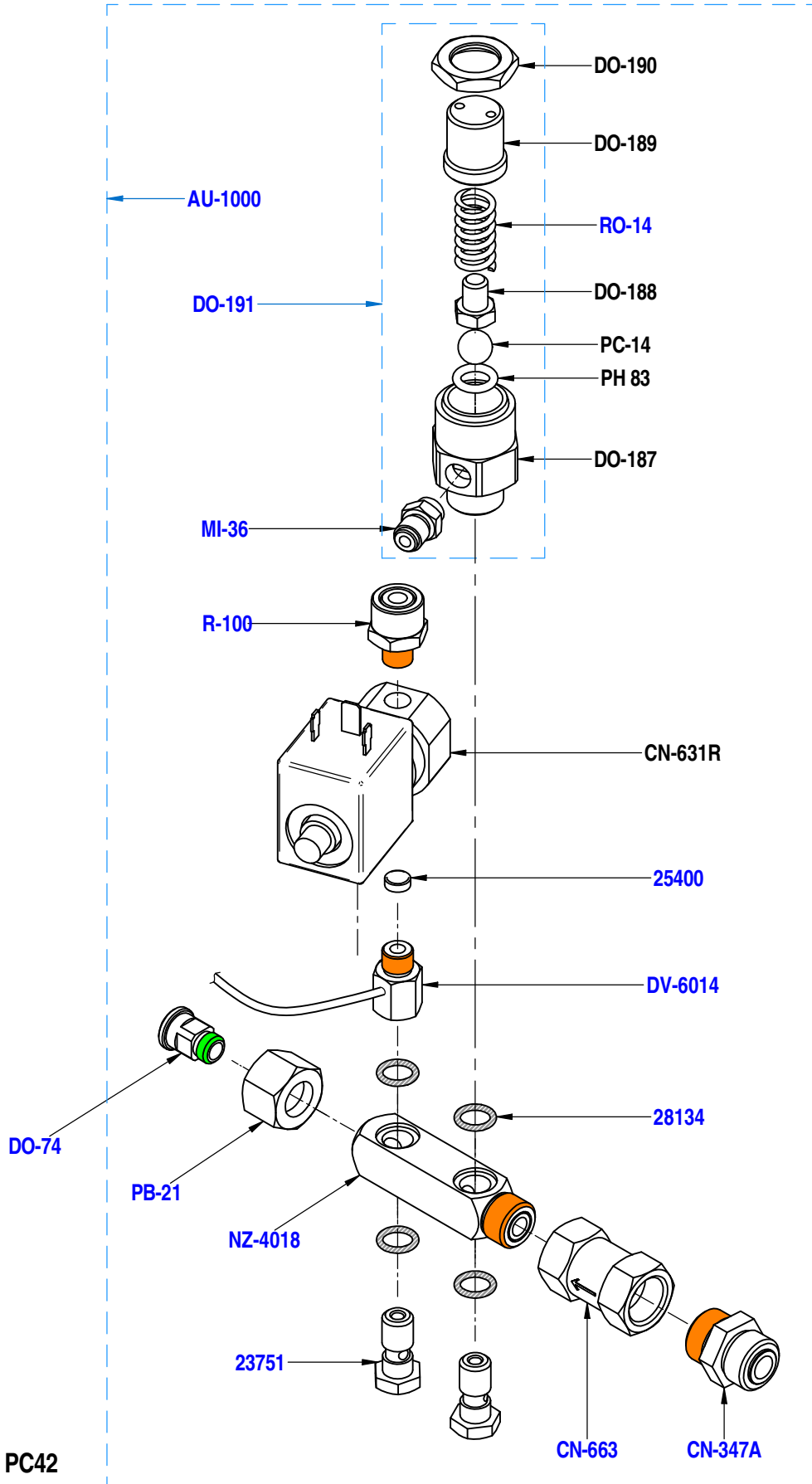


PLANCHE - PLATE 332

REF	ELUX	DESIGNATIONS FR	DESIGNATIONS GB
23751	0UN088	AXE DE BANJO 1/8	BANJO SCREW
25400	0UN124	FILTRE INOX	FILTER
28134	0UN146	JOINT TORIQUE 2X9,5 FKM 80SH	GASKET 2X9,5
AU-1000		NOURRICE D'ALIMENTATION EAU	WATER FEEDING FITTING
CN-347A		RACCORD D'ALIM. 3/8 - 3/8 MM	FITTING - 3/8 X 3/8 -
CN-631R		EV 2V REGL. 24V-50/60Hz	ELECTROVALVE 2W ADJ. 24V-50/60Hz
CN-663		CLAPET ANTI RETOUR COMPACT	VALVE - NON-RETURN
DO-187		CORPS DE SOUPAPE	VALVE BODY
DO-188		TIGE DE SOUPAPE	VALVE PISTON
DO-189		ECROU DE SOUPAPE	VALVE NUT
DO-190		CONTRE ECROU M18 X 100	NUT M18 X 100
DO-191		SOUPAPE H.P. COMPLETE	COMPLET H.P. VALVE
DO-74		RACCORD SOUPAPE HP	H.P VALVE CONNECTION
DV6014		TUBE CUIVRE MANOMETRE HP	PIPE HP MANOMETER
MI-36		RACCORD 1/8M 1/8M	CONNECTION 1/8
NZ-4018		RACCORD NOURRICE	LEADER FITTING
PB-21		ECROU 3/8 LAITON	FITTING 3/8
PC-14		BILLE INOX POLIE DE 11	STAINLESS STEEL BALL DIA 11
PH-83		JOINT TORIQUE 2,62X9,19 PTFE	O RING 9,19 X 2,62 PTFE
R100		CABLE COMMANDE ELECTROVANNES	WIRING ELECTROVALVES
RO-14		RESSORT F20/10L26.5 D13 P5	SPRING




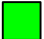

-  Graisse PC42
-  Loctite 601
-  Loctite 542

PLANCHE - PLATE 335

REF	ELUX	DESIGNATIONS FR	DESIGNATIONS GB
50125		VIS TB CRUCIFORME A EMBASE M4 x 8	CRUCIFORM SCREW M4 x 8
51100		ECROU M5 INOX	NUT M5
51552		RONDELLE INOX 4.25x14x0.8	S..STEEL WASHER 4.25x14x0.8
AU-2002		PATTE FIXATION MANOMETRE	FIXING FOR MANOMETER
CF-194		RONDELLE LAITON DE 5 MOYENNE	WASHER
ID-82E	0UN101	MANOMETRE DOUBLE 3,5 x 20 B.	MANOMETER
RR-38	0UN119	JOINT TORIQUE 1,78X4,48 EPDM	GASKET - 4,48 X 1,78

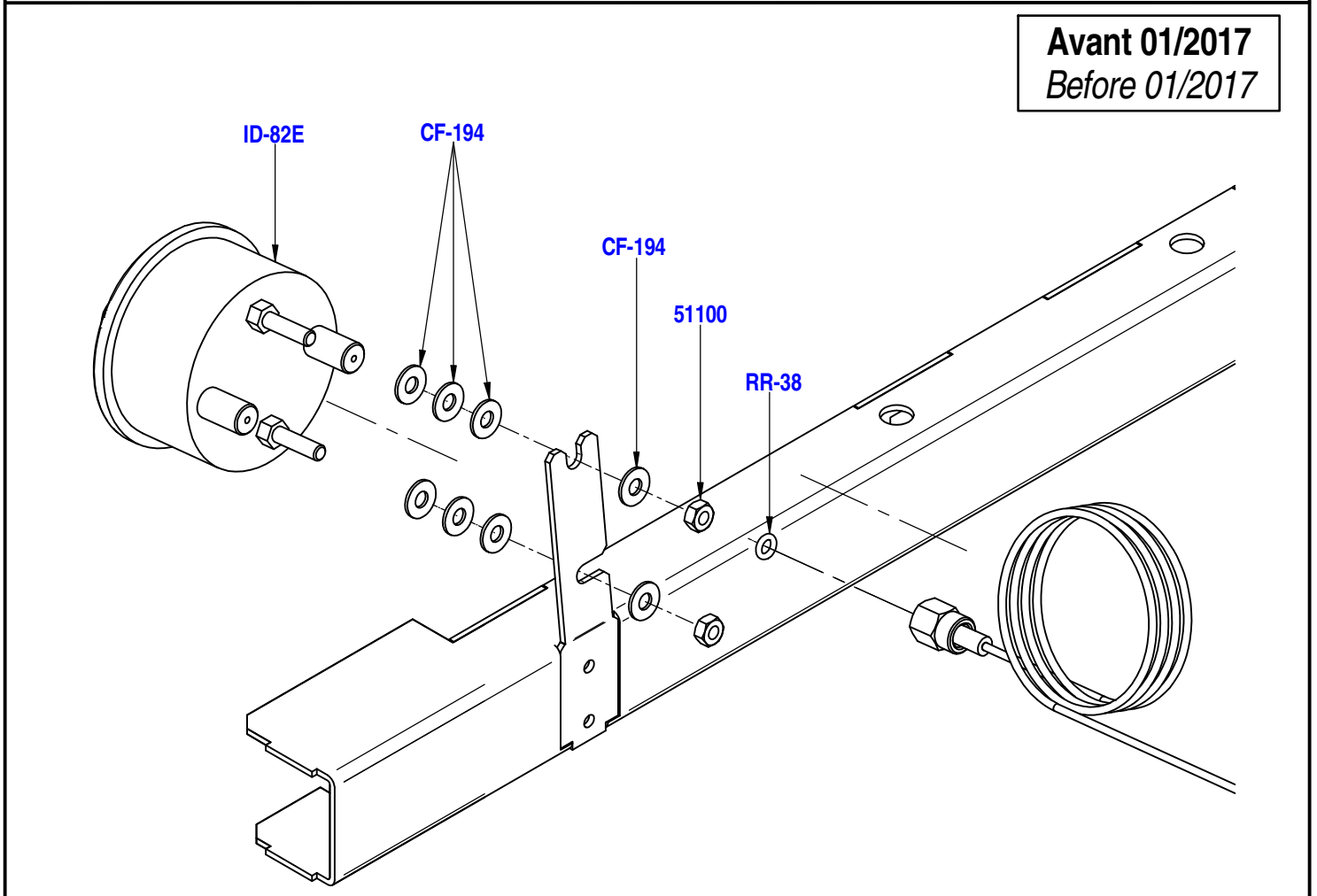
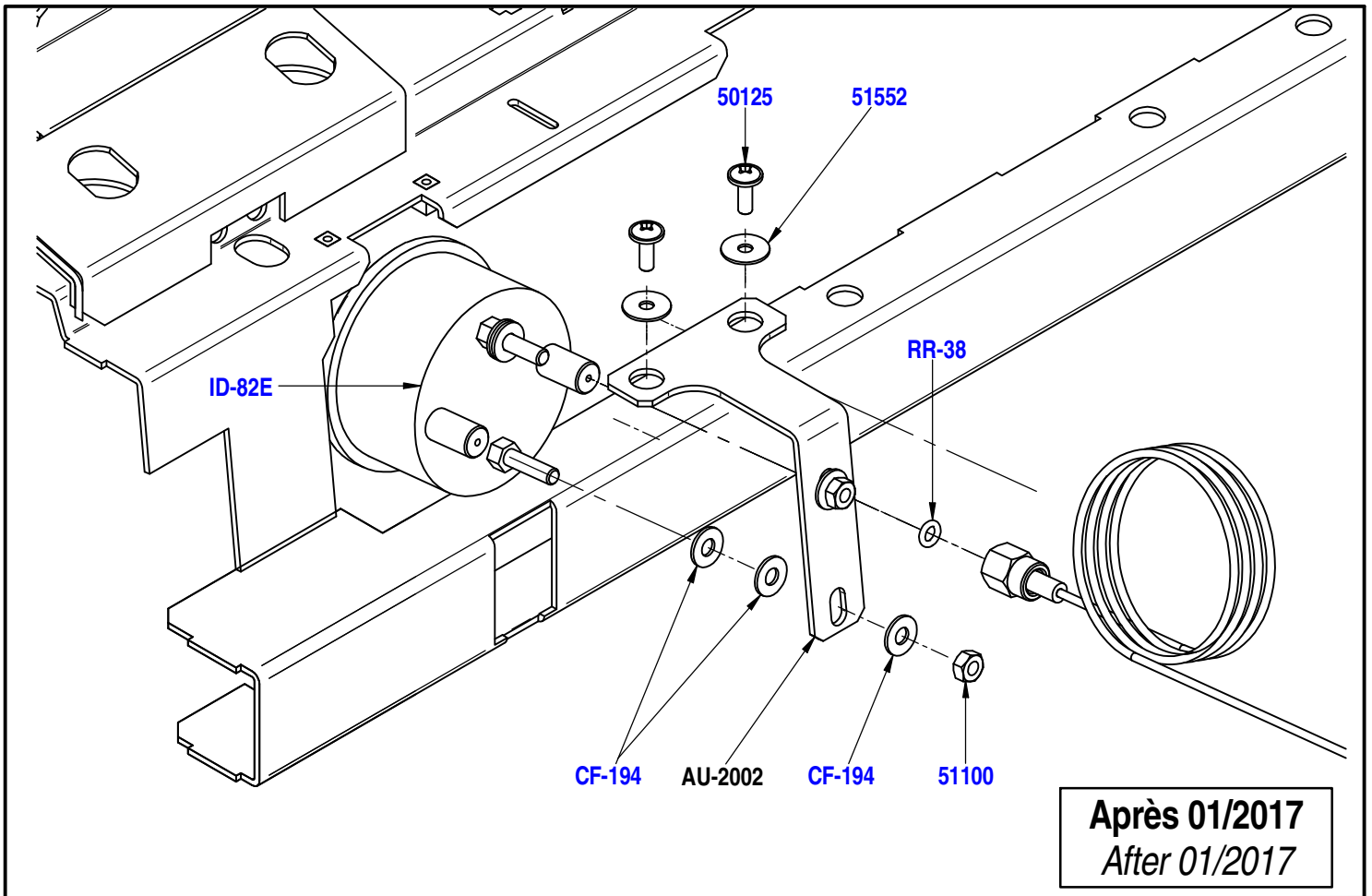


PLANCHE - PLATE 341

REF	ELUX	DESIGNATIONS FR	DESIGNATIONS GB
26502		ENSEMBLE NIVEAU SONDE 3/8	LEVEL PROBE 3/8 SET
26510		SONDE DE NIVEAU L=130	LEVEL PROBE
27200		SOUPAPE VAPEUR BP 3,5 BARS	LP VALVE 3.5 BARS
29078		CHAUDIERE AURA 2GR	2 UNITS BOILER
29079		CHAUDIERE AURA 3GR	3 UNITS BOILER
36510MPS	OUN063	CAPTEUR DE PRESSION 0-16b SENSATA	0-16b PRESSURE SENSOR
AU-6000		TUBE ALIMENTATION GROUPES	ALIMENTATION GROUPS PIPE
AU-6004		TUBE REMPLISSAGE CHAUDIERE	BOILER FEEDING PIPE
CH-10B		BOUCHON 3/8	PLUG 3/8
CH-16		JOINT CUIVRE RECUIT 3/8	WASHER - COPPER - 3/8
CH-17		JOINT CUIVRE RECUIT 1/2	WASHER - COPPER - 1/2
CN-544		RONDELLE ACIER ZN 17 x 28 x 2	WASHER
CN-670		SONDE NIVEAU BAS INOX L=130	LEVEL PROBE L=130
DV-4001		TUBE TEFLON ALIM. GROUPE L:60	UNIT FEEDING TUBE
ID-23		RACCORD ALIM.1/2M-M	FITTING 1/2-1/2
ID-23A		RACCORD ALIM.1/2M-M SS PLOMB	FITTING 1/2-1/3 ECO BRASS
NA-18A		ECROU LAITON 3/8 4 mm	3/8 NUT
NA-69A		PORTE SONDE EN LAITON	PROBE HOLDER CONNECTION
NA-70		BLOCAGE ELECTRODE NIVEAU AUTO	LEVEL PROBE COMPRESSION NUT
NA-71		PORTE-ELECTRODE EN TEFLON	LEVEL PROBE INSULATION
NZ-6013		TUBE CAPTEUR VAPEUR	STEAM SENSOR PIPE
PA-96		JOINT TORIQUE 1,78X12,42 EPDM	GASKET 1.78 X 12.42
TG-7022		PROTECTION SOUPAPE	VALVE PROTECTION
TG-7023		COUVERCLE PROTECTION SOUPAPE	COVER VALVE PROTECTION

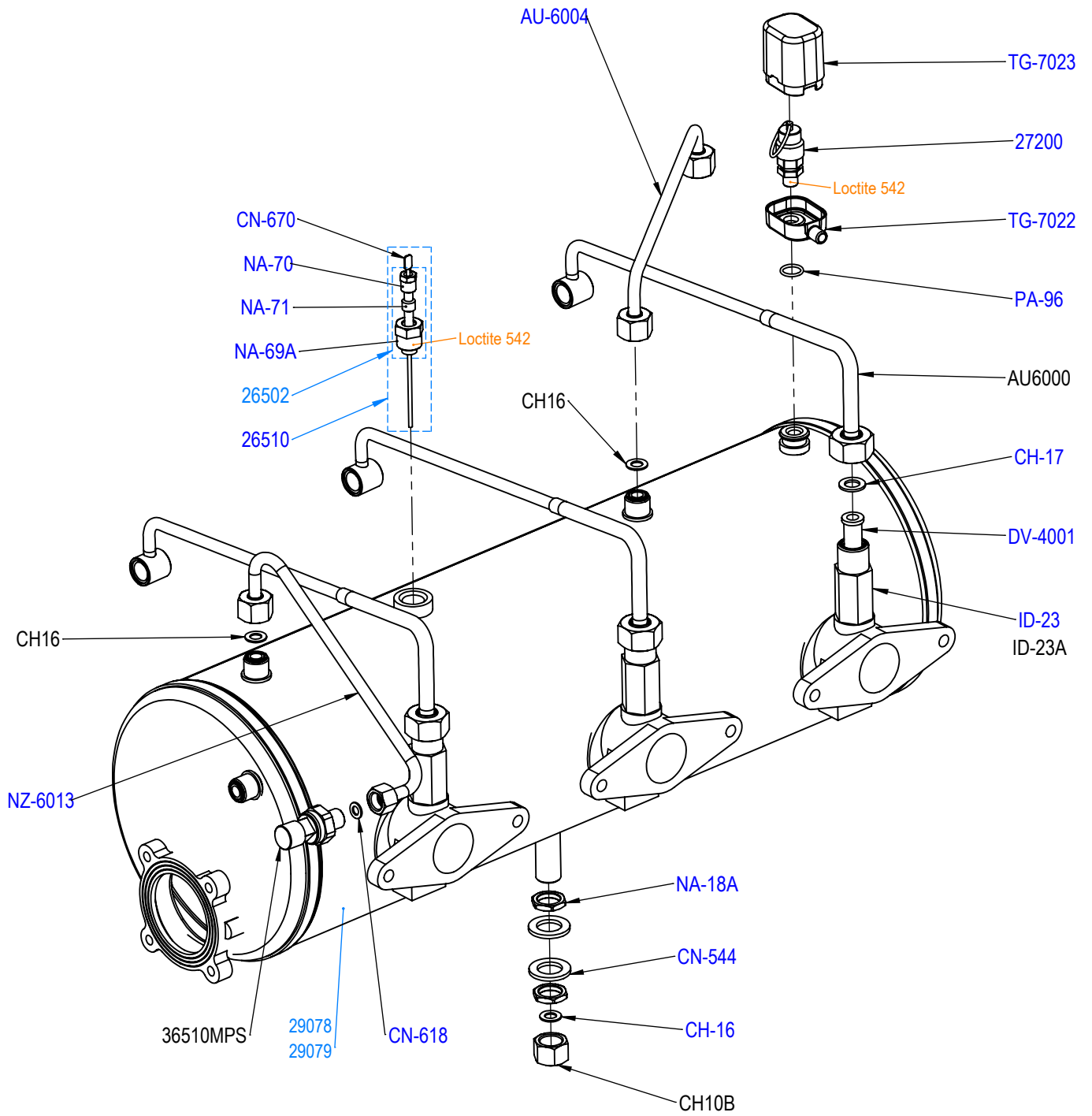


PLANCHE - PLATE 346

REF	ELUX	DESIGNATIONS FR	DESIGNATIONS GB
23100		PORTE GICLEUR	GICLUER HOLDER
23117	0UN134	GICLEUR DIAM:0,7	JET DIAM. 0.7
23127	0UN131	KIT PORTE GICLEUR Ø0.7	GICLUER Ø 0.7 KIT
24455		ECROU 1/8	NUT 1/8
27717		JOINT TORIQUE 1,78 X 6,07	GASKET 1.78 X 6.07
27718	0UN091	JOINT PISTON MOBILE 3.53 X 74.61	O RING 3.53 X 74.61
27800	0UN122	JOINT TORIQUE 2.62 X 52.07 NBR	GASKET 2.62 X 52.07
28828	0UN050	RONDELLE RESSORT Ø54	RONDELLE RESSORT Ø54
31910		RONDELLE DIFFUSEUR GROUPE	WASHER DIFFUSER
35012	0UN003	BOBINE 24V	SOLENOID COIL 24V
35036		ELECTROVANNE 3V 24V NSF	ELECTROVALVE 3W 24V NSF
44720	0UN138	CAPTEUR DE COUPE COMPLET	FILTER HOLDER SENSOR KIT
50204		VIS TH M5 x 10 INOX	SCREW M5 X 10
50304		VIS TC M6X25 INOX	S.STEEL SCREW M6X25
50401		VIS TCHC TETE BASSE M8X16 INOX	S.STEEL SCREW M8 X 16
51600		RONDELLE INOX MOYENNE DE 5	WASHER
AU-6007		TUBE DECOMPRESSION GR AURA	DECOMPRESSION GROUP PIPE
CF-326		FILTRE INOX D.int=12 H=17,5	FILTER D:12 H:17,5
CH-63		GOUJON ACIER NICKELE M10	SCREW M10 -STUD
CH-64		ECROU ACIER ZN Hu 10	NUT M10
CN-128		VIS INOX TF M4 X 8	SCREW M4 X 8
DV7040		EMBOUT DE DECOMPRESSION	DECOMPRESSION TIP
DV7041		CORPS EMBOUT DE DECOMPRESSION	DECOMPRESSION TIP HOUSING
ID-103	0UN104	FILTRE TASSOIR	PACKER FILTER
ID-18P		CORPS DE GROUPE INJECTION CREMA	CREMA GROUP BODY - INJECTION
ID-3		ISOLANT TEFLON BLANC ep:21mm	INSULATOR
ID-38		VIS INOX TF 4 x 30	SCREW M4 X 30
MI-80		VIS TCHC M4x12 INOX	SCREW M4 X 12
NZ-4007		TASSOIR MONOGROUPE	SINGLE GROUP COMPACTOR
NZ-4008		PISTON MONOGROUPE	SINGLE GROUP PISTON
NZ-4011		PORTE COUPE BUTEE	BOWL HOLDER
NZ-4012		BUTEE DE COUPE	FILTER HOLDER STOP
PC-17	0UN128	JOINT DE COUPE 57 x 75 x 9	HEAD GASKET 9mm
PC-45		RONDELLE GROVER DE 10	WASHER
PE-28	0UN102	JOINT TORIQUE 3,53X36,09 FKM	GASKET - 36.09 x 3.53
PH-54	0UN133	JOINT TORIQUE 2,62X13,95 EPDM	O RING - 13.95 x 2.62
PI-45R		ELECTROVANNE 3V 24V-50/60Hz	ELECTROVALVE 3W 24V-50/60Hz
PI-45X		ELECTROV. 3V SANS BOBINE	ELECTROVALVE 3W WITHOUT COIL
RR-38	0UN119	JOINT TORIQUE 1,78X4,48 EPDM	GASKET - 4,48 X 1,78
TC-80		JOINT TORIQUE 1,78X2,90 FKM	GASKET 1.78X2.90 FKM

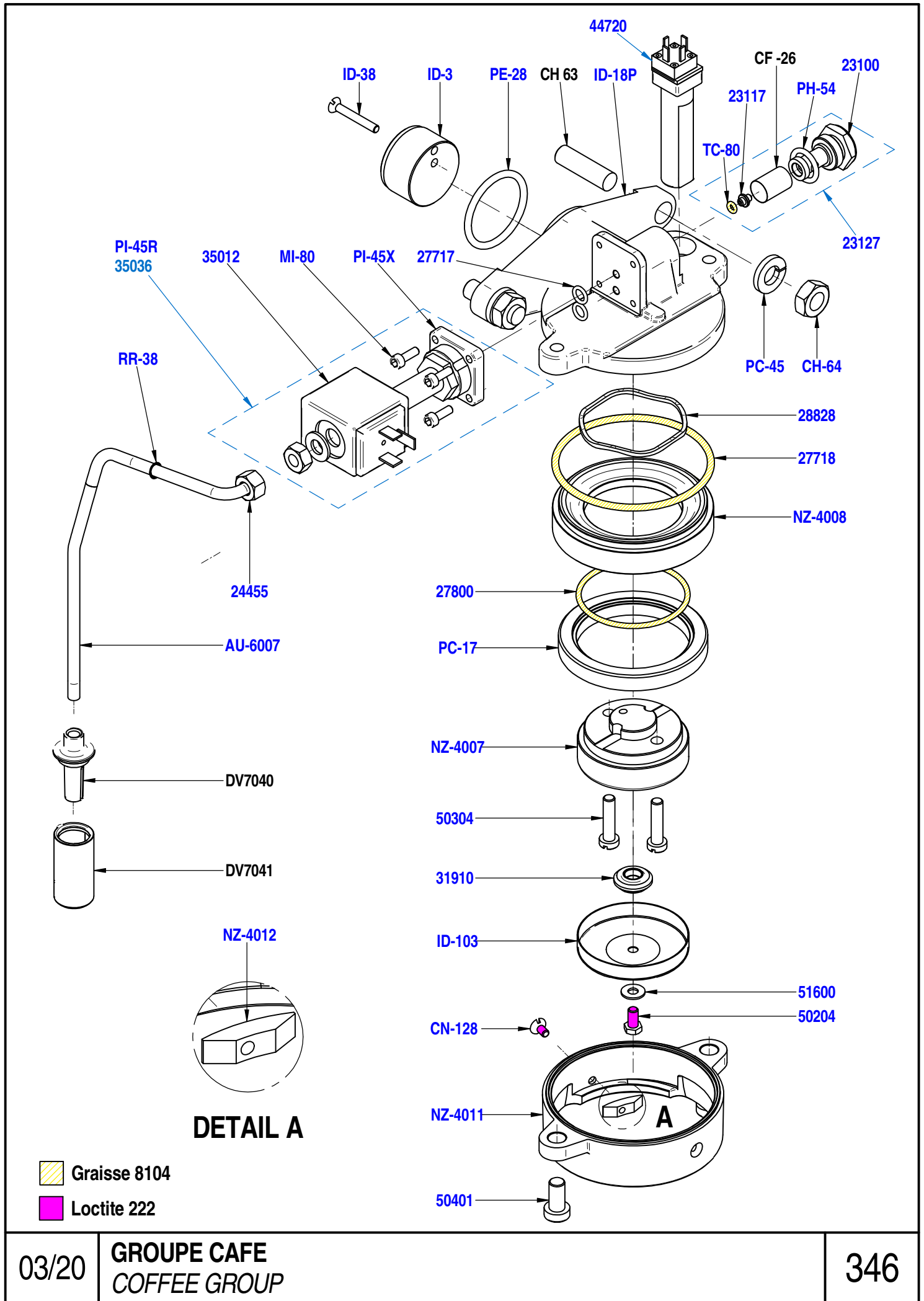


PLANCHE - PLATE 494

REF	ELUX	DESIGNATIONS FR	DESIGNATIONS GB
33041	0UN143	PORTE AIMANT 1 T COMPLET	1 CUP MAGNET HOLDER
33042	0UN142	PORTE AIMANT 2 T COMPLET COUPE	2 CUPS MAGNET HOLDER
33103		NUE POUR CAPTEUR BOUCHON	FILTER HOLDER BODY WITH SENSOR
33106		POIGNEE DE COUPE POIGNEE DE	TAP FOR HANDLE
33146		COUPE	HANDLE
33147		AXE POIGNEE DE COUPE	AXLE FOR HANDLE
33161		COUPE COMPLETE 1T AVEC CAPTEUR	1 CUP FILT. HOLDER WITH SENSOR
33162		COUPE COMPLETE 2T AVEC CAPTEUR	2 CUP FILT. HOLDER WITH SENSOR
33381		BEC 1 T CHROME	1 CUP SPOUT
33382		BEC 2T CHROME	2 CUPS SPOUT
33384		OBTURATEUR BEC 1T	1 CUP OBTURATOR
33385		OBTURATEUR BEC 2T	2 CUPS OBTURATOR
33420		FILTRE 1 TASSE	1 CUP FILTER
33424		FILTRE 2 TASSES PENTAGONAL	2 CUPS FILTER
CF-199		RONDELLE ACIER ZN 8x22x1,5	STEEL WASHER 8x22x1,5
DO-195		VIS ACIER INOX TC 4 X 12	SCREW M4 X 12
DO-2		PORTE AIMANT	MAGNET HOLDER
DO-54		AIMANT DIAM 3 L:10mm	MAGNET DIA:3 L:10mm
DO-95		JOINT PORTE-AIMANTS	MAGNET HOLDER JOINT
PA-85A		RESSORT DE COUPE DIAM:1.3	FILTER SPRING DIAM:1.3
PA-85B		RESSORT DE COUPE DIAM:1.2	FILTER SPRING DIAM:1.2
PE-12		ECROU M8	NUT M8
RR-83		RONDELLE GROVER DE 8	WASHER 8

Disposition du sens des aimants DO54
 Layout direction of the magnets DO54

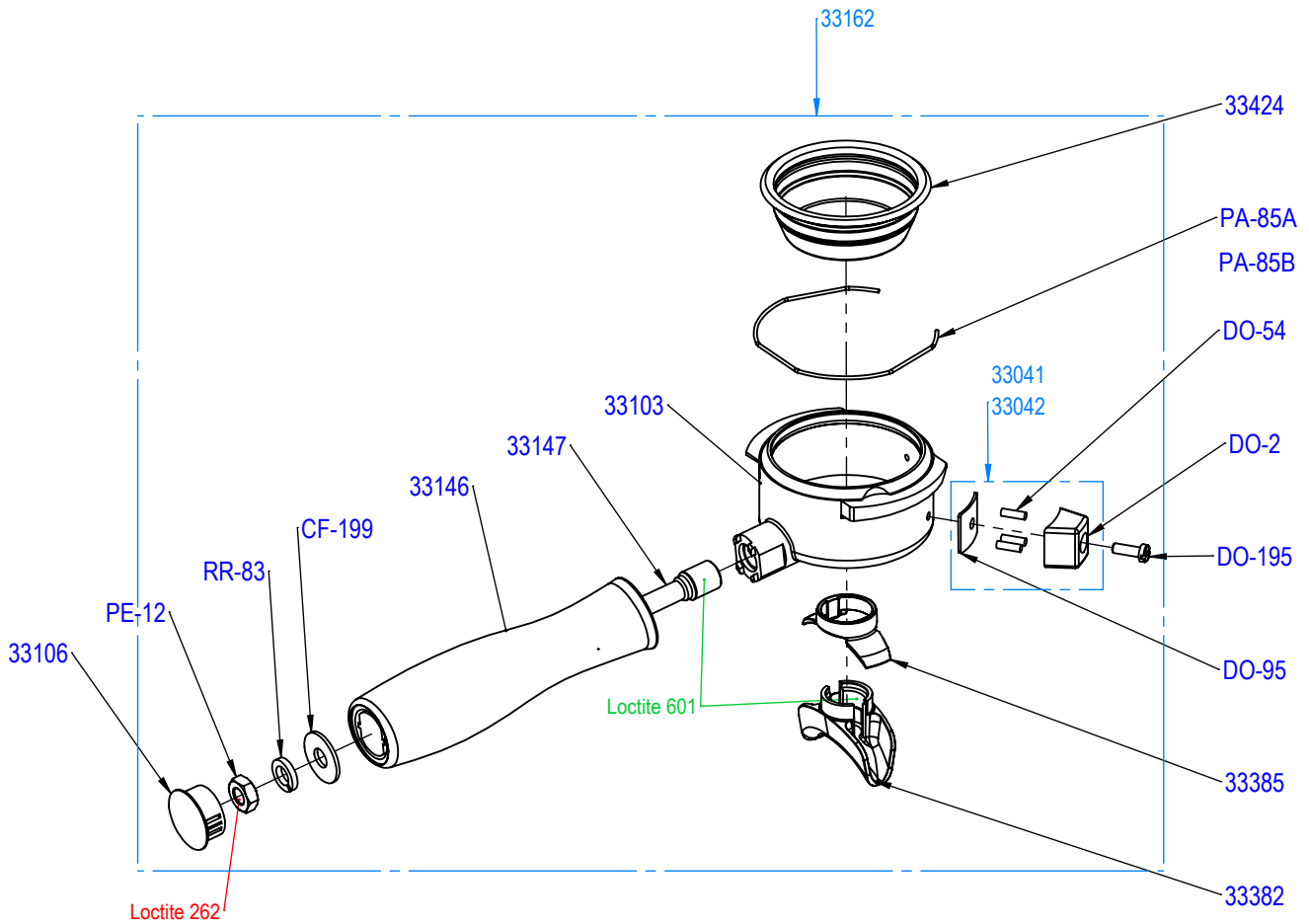
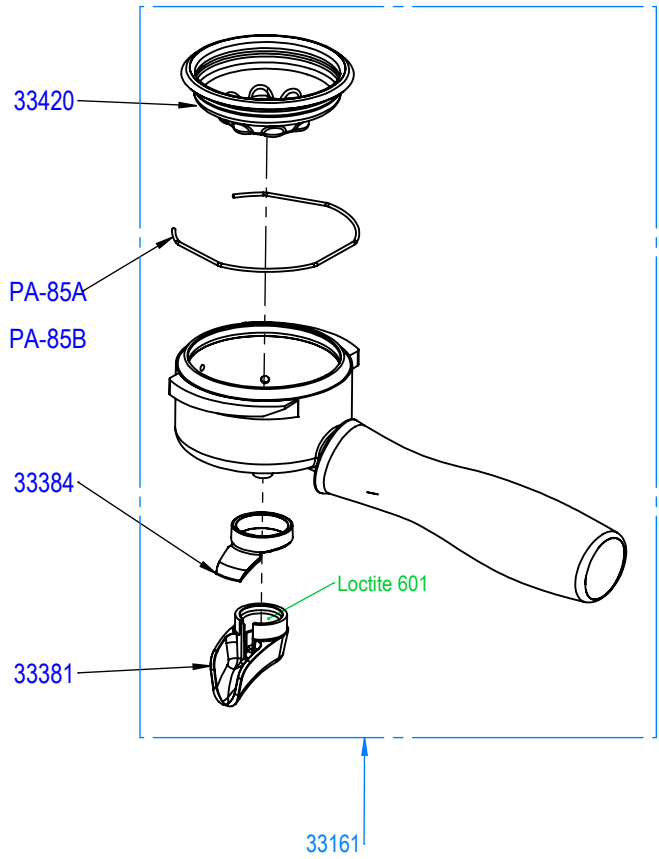
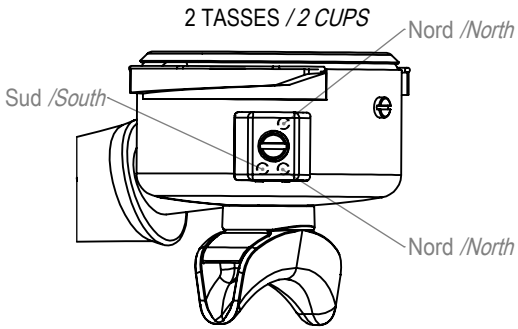
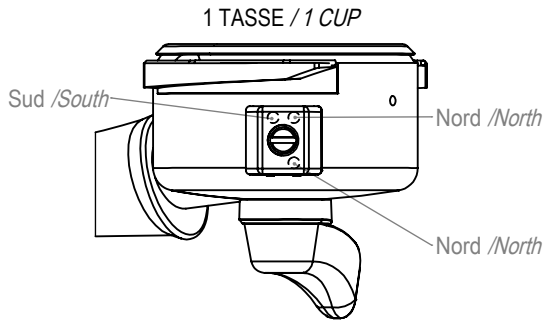


PLANCHE - PLATE 497

REF	ELUX	DESIGNATIONS FR	DESIGNATIONS GB
33007		KIT PORTE AIMANT RFID 1T	1 CUP KIT RFID MAGNET HOLDER
33008		KIT PORTE AIMANT RFID 2T	2 CUP KIT RFID MAGNET HOLDER
33015		SUPPORT AIMANTS RFID	MAGNET HOLDER RFID
33016		JOINT POUR SUPPORT AIMANTS RFID	GASKET
33017		CHIP RFID 1 TASSE	1 CUP CHIP RFID
33018		CHIP RFID 2 TASSES	2 CUPS CHIP RFID
33103		COUPE NUE POUR CAPTEUR	FILTER HOLDER BODY WITH SENSOR
33106		BOUCHON POIGNEE DE COUPE	TAP FOR HANDLE
33146		POIGNEE DE COUPE	HANDLE
33147		AXE POIGNEE DE COUPE	AXLE FOR HANDLE
33171		COUPE COMPLETE 1T AVEC RFID	1 CUP FILT. HOLDER WITH RFID
33172		COUPE COMPLETE 2T AVEC RFID	2 CUP FILT. HOLDER WITH RFID
33381		BEC 1 T CHROME	1 CUP SPOUT
33382		BEC 2T CHROME	2 CUPS SPOUT
33384		OBTURATEUR BEC 1T	1 CUP OBTURATOR
33385		OBTURATEUR BEC 2T	2 CUPS OBTURATOR
33420		FILTRE 1 TASSE	1 CUP FILTER
33424		FILTRE 2 TASSES PENTAGONAL	2 CUPS FILTER
CF-199		RONDELLE ACIER ZN 8x22x1,5	STEEL WASHER 8x22x1,5
DO-195		VIS ACIER INOX TC 4 X 12	SCREW M4 X 12
DO-54		AIMANT DIAM 3 L:10mm	MAGNET DIA:3 L:10mm
PA-85A		RESSORT DE COUPE DIAM:1.3	FILTER SPRING DIAM:1.3
PA-85B		RESSORT DE COUPE DIAM:1.2	FILTER SPRING DIAM:1.2
PE-12		ECROU M8	NUT M8
RR-83		RONDELLE GROVER DE 8	WASHER 8

Disposition du sens des aimants DO-54
 Layout direction of the magnets DO-54

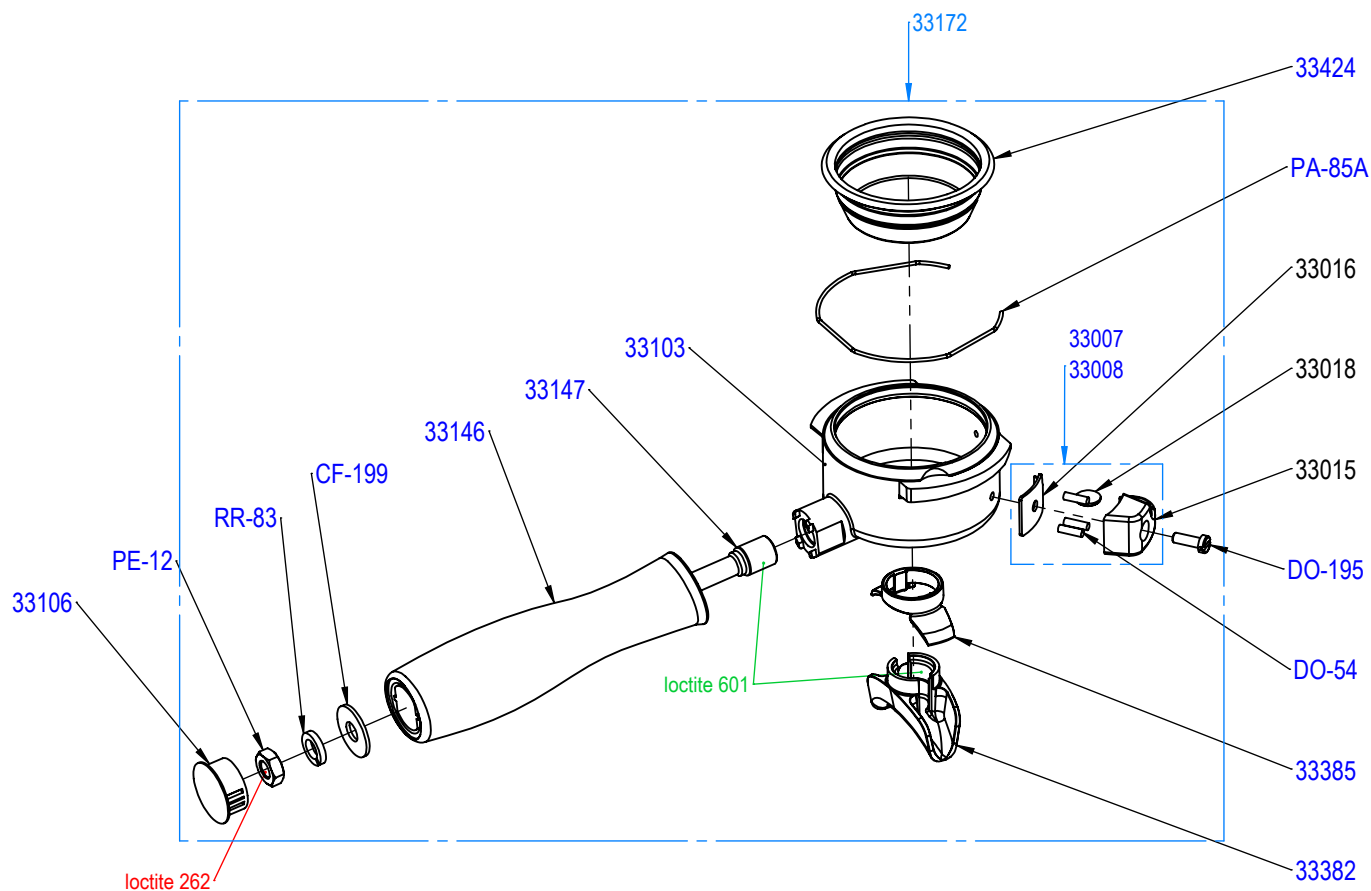
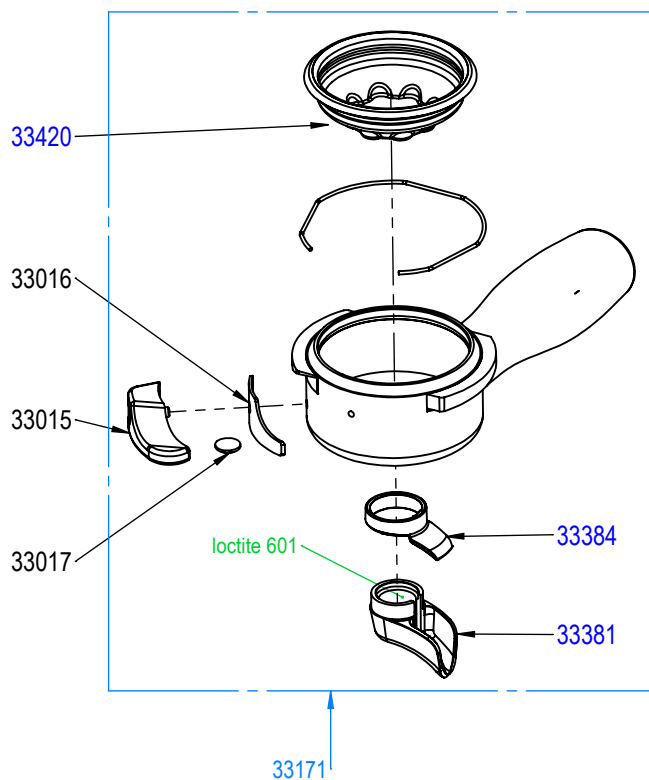
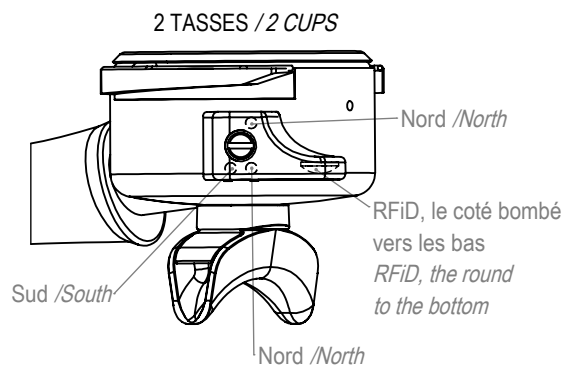
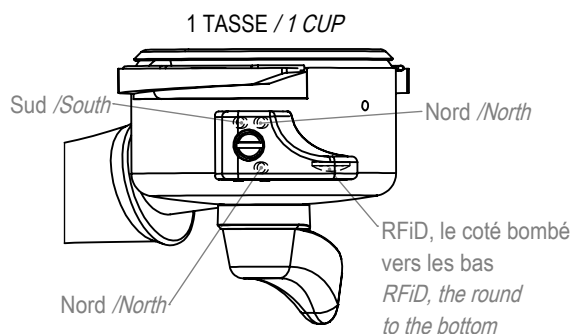


PLANCHE - PLATE 498

REF	ELUX	DESIGNATIONS FR	DESIGNATIONS GB
33102		COUPE NUE	<i>FILTER HOLDER BODY</i>
33106		BOUCHON POIGNEE DE COUPE	<i>TAP FOR HANDLE</i>
33146		POIGNEE DE COUPE	<i>HANDLE</i>
33147		AXE POIGNEE DE COUPE	<i>AXLE FOR HANDLE</i>
33181		COUPE COMPLETE 1T	<i>1 CUP FILTER HOLDER</i>
33182		COUPE COMPLETE 2T	<i>2 CUPS FILTER HOLDER</i>
33381		BEC 1 T CHROME	<i>1 CUP SPOUT</i>
33382		BEC 2T CHROME	<i>2 CUPS SPOUT</i>
33384		OBTURATEUR BEC 1T	<i>1 CUP OBTURATOR</i>
33385		OBTURATEUR BEC 2T	<i>2 CUPS OBTURATOR</i>
33420		FILTRE 1 TASSE	<i>1 CUP FILTER</i>
33424		FILTRE 2 TASSES PENTAGONAL	<i>2 CUPS FILTER</i>
C-16		RONDELLE ACIER NICKLE M8	<i>WASHER 8</i>
PA-85A		RESSORT DE COUPE DIAM:1.3	<i>FILTER SPRING DIAM:1.3</i>
PA-85B		RESSORT DE COUPE DIAM:1.2	<i>FILTER SPRING DIAM:1.2</i>
PE-12		ECROU M8	<i>NUT M8</i>
RR-83		RONDELLE GROVER DE 8	<i>WASHER 8</i>

 Loctite 601

 Loctite 262

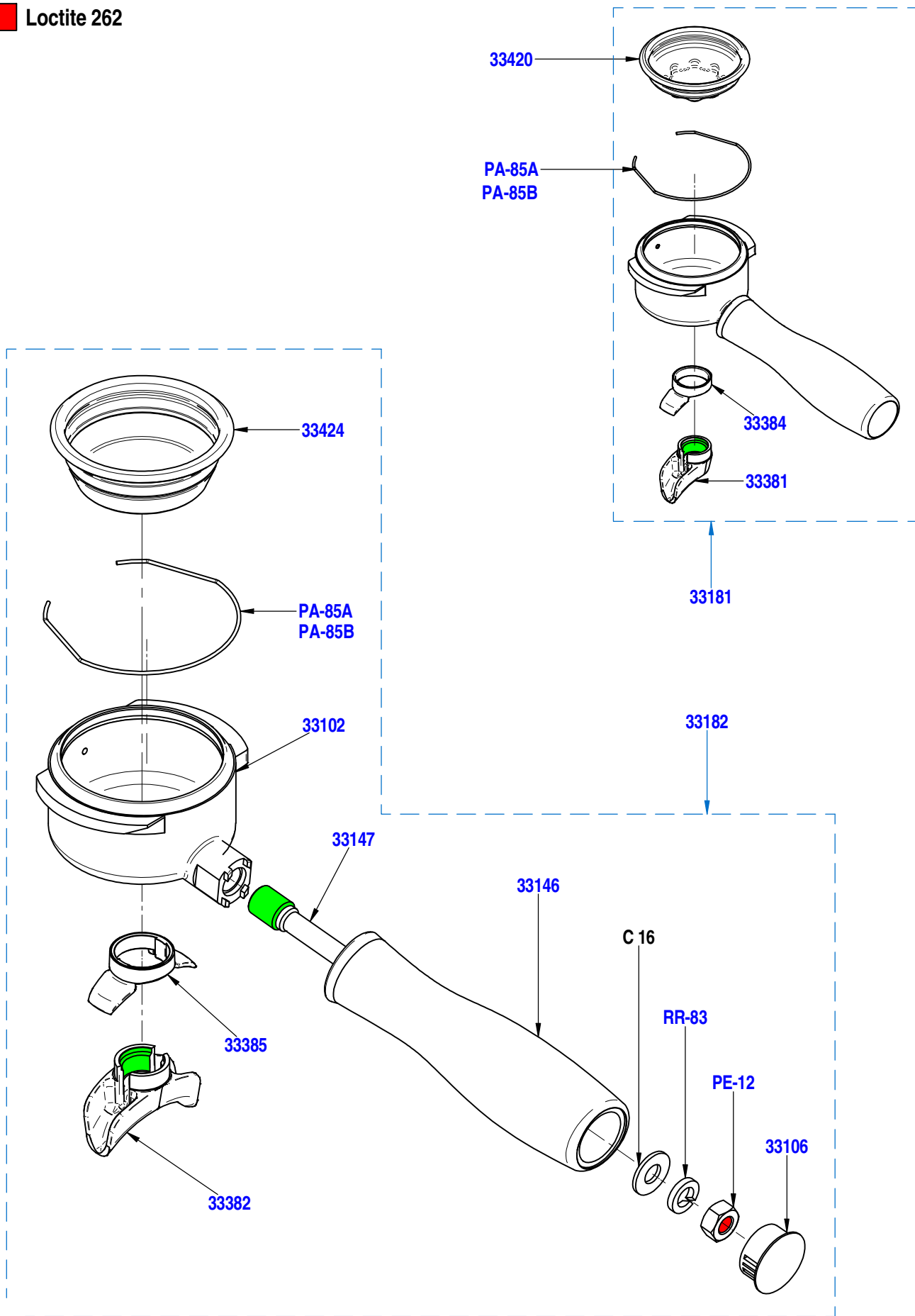


PLANCHE - PLATE 501

REF	ELUX	DESIGNATIONS FR	DESIGNATIONS GB
29811		ELEMENT CHAUFFANT 230V 2730W	HEATING ELEMENT 230V 2730W
29812	0UN083	ELEMENT CHAUFFANT 230V4370W	HEATING ELEMENT 230V 4370W
29815		CACHE RESISTANCE	INSULATOR BOOT
34202	0UN077	THERMOSTAT SECURITE 160C TRI UL	THERMOSTAT 160C UL
42402		ENTRETOISE PLASTIQUE FIX CARTE	PLASTIC PCB SUPPORT
43403		INTERRUPTEUR ON OFF	ON OFF SWITCH
43430		COMMUTATEUR A CAME UL/CSA	SWITCH UL/CSA
44201	0UN018	TRANSFO TOROIDAL 70 Va/230V-24V PONY 2,4	TRANSFORMER 70 Va / 230V-24V PONY 2,4
44410		RELAIS STATIQUE 25A	SOLID STATE RELAY 25A
45355	0UN027	CARTE CPU	CPU BOARD
50125		VIS TB CRUCIFORME A EMBASE M4 x 8	CRUCIFORM SCREW M4 x 8
AE-50		BORNIER GM GRIS	TERMINAL BLOCK GREY
AE-51		BORNIER GM BLEU	TERMINAL BLOCK BLUE
AE-52		BORNIER TERRE VERT-JAUNE	TERMINAL BLOCK - GREEN/YELLOW
AU-2005		SUPPORT CPU	CPU HOLDER
C-16		RONDELLE ACIER NICKELE M8	WASHER 8
CN-128		VIS INOX TF M4 X 8	SCREW M4 X 8
CN-343		RONDELLE EVENTAIL 4	WASHER 4
CN-630		BARETTE DE JONCTION 3 PLOTS	3 STUDS STRIP
CN-661		ECROU CAGE M4, EP 1/1.6	INSERT NUT M4
CN-724		SUPPORT BORNIER L=95 mm	RAIL
CV-20		JOINT TORIQUE 3,53X66,68 FKM	GASKET - 66.68 x 3.53
CV-3		VIS TH M8 x 20 INOX	S.STEEL SCREW M8 x 20
ED-112		ETIQUETTE BORNIER	TERMINAL STICKER
ID-68A		CACHE DE COMMUTATEUR	TERMINAL COVER
NZ-2008		SUPPORT TRANSFORMATEUR	TRANSFORMER SUPPORT
PE-12		ECROU M8	NUT M8
PG-14		ECROU M4	NUT M4
RO-13		VIS INOX TC 4 x 10	SCREW M4 X 10 -
RO-13		VIS INOX TC 4 x 10	SCREW M4 X 10 -
S-11		RONDELLE ACIER CADMIE	WASHER

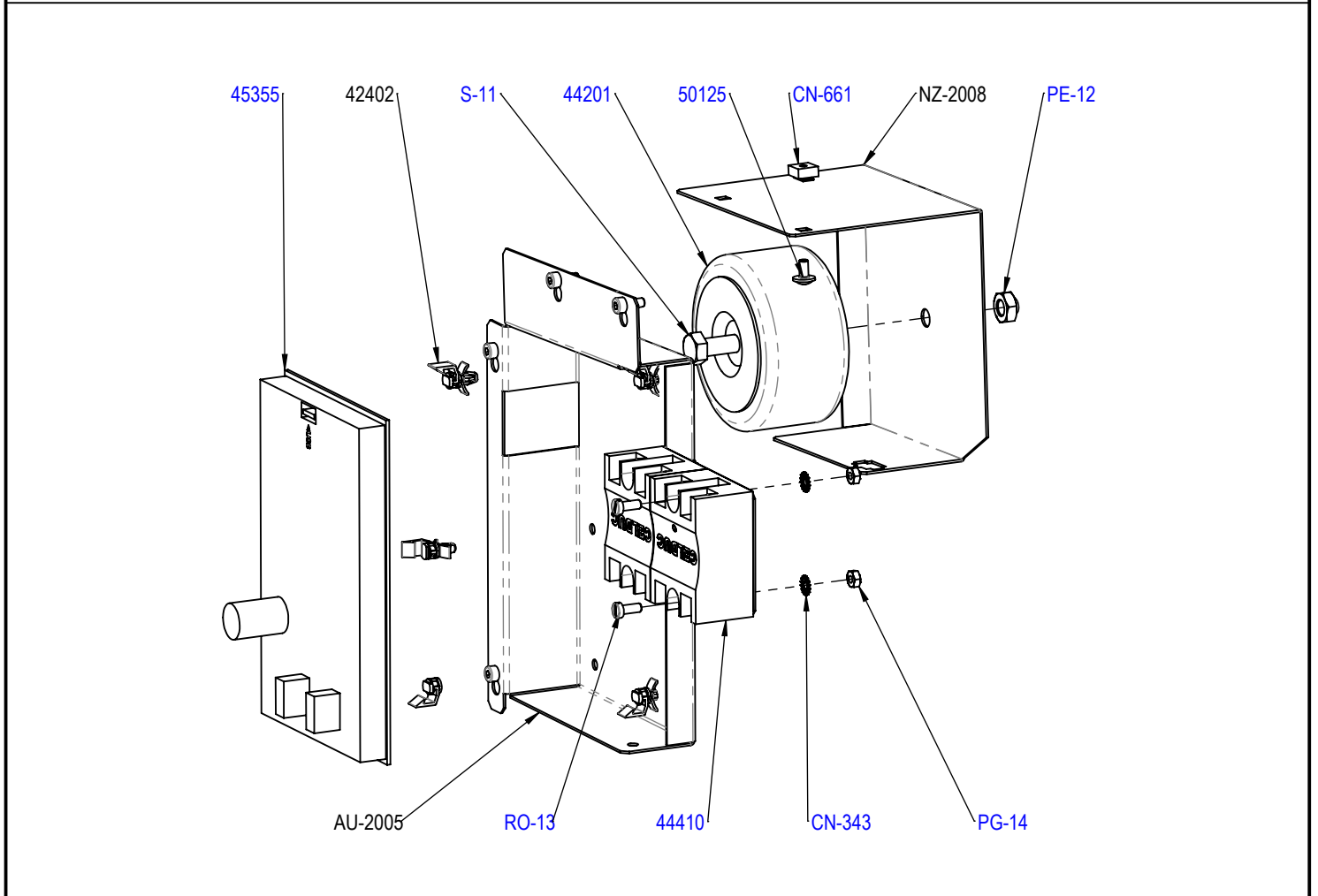
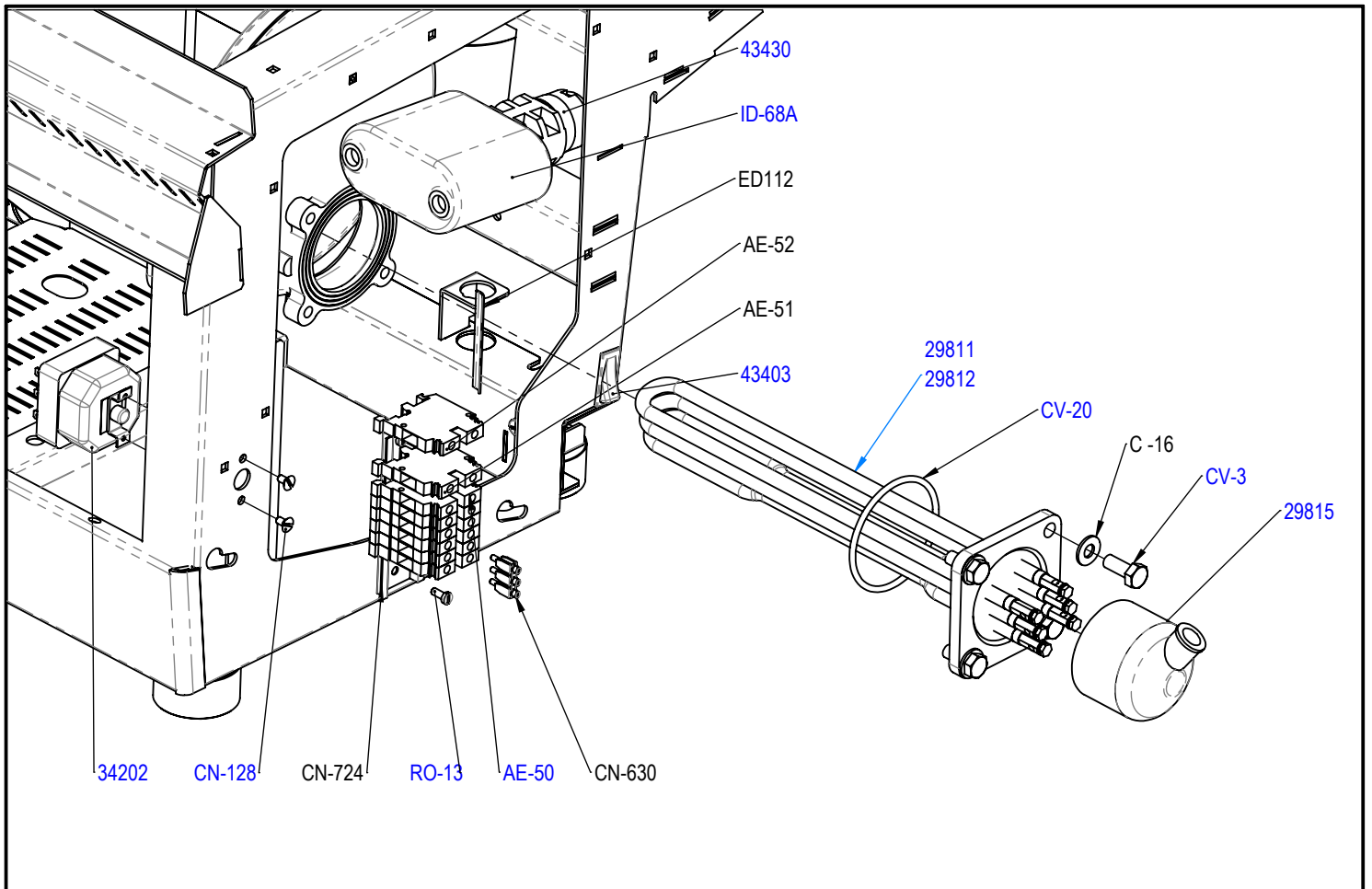


PLANCHE - PLATE 512

REF	ELUX	DESIGNATIONS FR	DESIGNATIONS GB
CN1		BORNIER	TERMINAL SWITCH
CN2		SECURITE	SECURITY
CN3		POMPE	PUMP
CN5		TRANSFORMATEUR 24V/230V	TRANSFORMER 24V/230V
CN6		RELAIS STATIQUES	STATIC RELAYS
CN7		RELAIS STATIQUES	STATIC RELAYS
CN8		ELECTROVANNE ET DOSEUR D'EAU GROUPE 1	ELECTROVALVE & VOLUMETRIC DOSER GROUP 1
CN9		ELECTROVANNE ET DOSEUR D'EAU GROUPE 2	ELECTROVALVE & VOLUMETRIC DOSER GROUP 2
CN10		ELECTROVANNE ET DOSEUR D'EAU GROUPE 3	ELECTROVALVE & VOLUMETRIC DOSER GROUP 3
CN12		BOITIERS ELECTRONIQUES	ELECTRONIC BOX
CN14		EV & DOSEUR D'EAU, EV VAPEUR, SONDE NIVEAU	EV & DOSER HOT WATER, EV STEAM, LEVEL PROBE
CN15		LED ECLAIRAGE TASSES	LIGHTING CUPS
CN16		EV REMPLISSAGE, CAPTEUR PRESSION, SONDE	PROBE, EV FILLING, PRESSURE SENSOR
CN18		LED ECLAIRAGE TASSES	LIGHTING CUPS
CN22		ALIMENTATION INTERRUPTEUR	POWER SWITCH
43101	0UN064	FUSIBLE 5 X 20 3,15A 250V RETARDE T	FUSE 3,15A DELAYED
43102	0UN062	FUSIBLE 5 X 20 4A 250V RETARDE T	FUSE 4A DELAYED
43116	0UN118	FUSIBLE 5 X 20 2A RETARDE T	FUSE 2A DELAYED

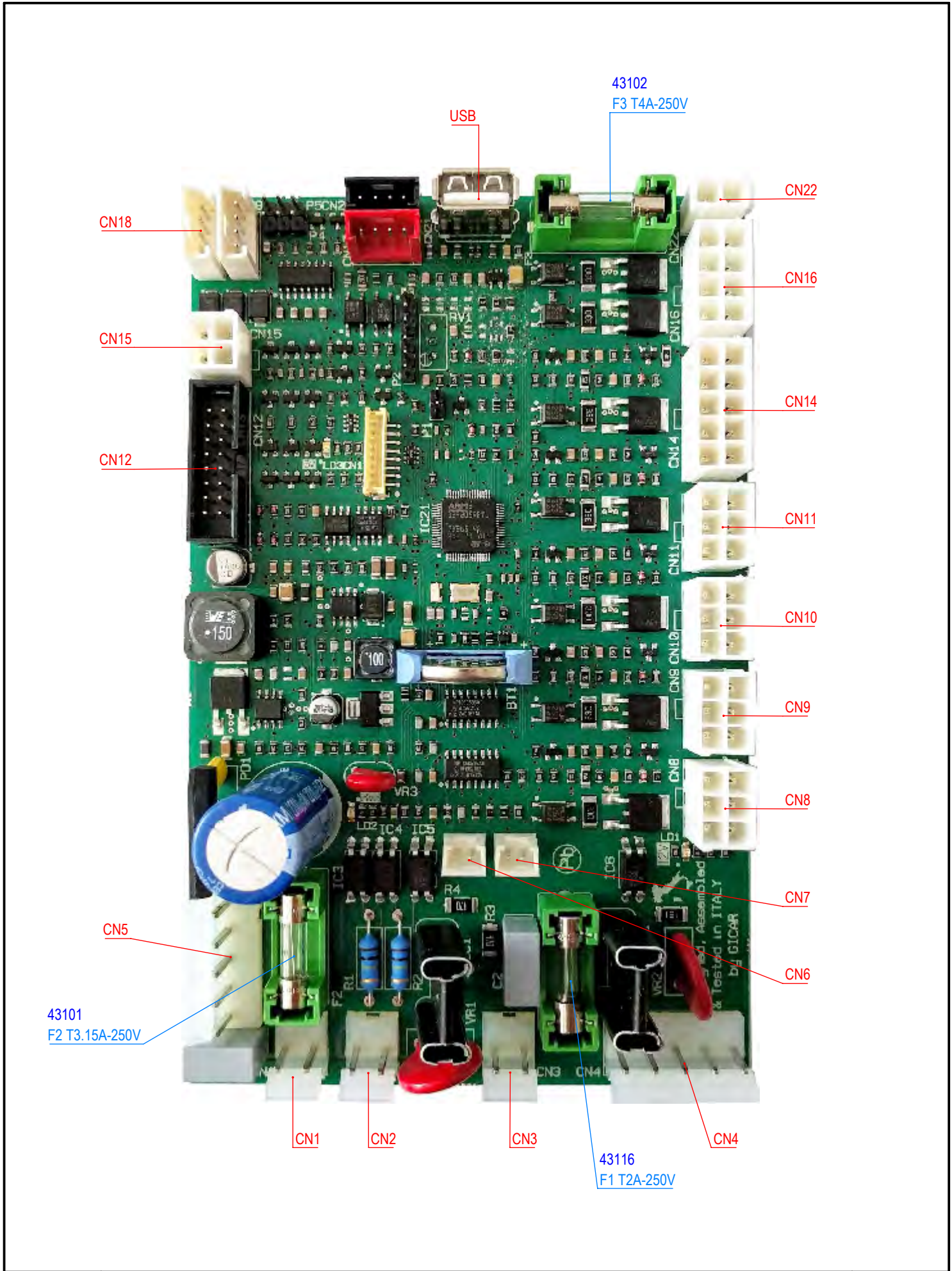


PLANCHE - PLATE 513

REF	ELUX	DESIGNATIONS FR	DESIGNATIONS GB
AU-8003		CABLE COMMUTATEUR AURA UL/EUROPE	SWITCH WIRE
AU-8004		CABLE D'ALIMENTATION	ALIMENTATION WIRE
AU-8008		CÂBLE D'ALIMENTATION GÉNÉRALE UL	UL GENERAL FEEDING CABLE
AU-8020		CABLE GROUPES	GROUPS WIRE
AU-8021		CABLE POMPE,REPLISSAGE,CAPTEUR PRESSION	FILLING, PUMP, PRESSURE SENSOR WIRE
AU-8022		CABLE COMMANDE RELAIS STATIQUES	STATIC RELAYS WIRE
AU-8023		FIL SONDÉ DE NIVEAU	PROBE WIRE
AU-8024		CABLE CONNECTION TRANSFO/CARTE MERE	CONNEXION MOTHERBOARD/TRANSFO WIRE
AU-8026		CABLE SECURITE	SECURITY WIRE
AU-8027		CABLE NAPPE BOITIER	ELECTRICAL BOXES WIRE
NM-8000		CÂBLE THERMOSTAT SÉCURITÉ RÉSISTANCE	HEATING ELEMENT SAFETY THERMOSTAT
NM-8001		CABLE DE RESISTANCE	HEATING ELEMENT WIRE
NZ-8007		CABLE DOSAMAT	DOSAMAT CABLE

REF	DESIGNATION FR	DESIGNATION EN	C.N.	PIN	DESIGNATION PIN
AU-8003	CABLE COMMUTATEUR BORNIER	TERMINAL SWITCH WIRE			
AU-8004	CABLE ALIMENTATION (EUROPE)	POWER WIRE (EUROPE)			230/400 V
AU-8008	CABLE ALIMENTATION (UL/CSA)	POWER WIRE (UL/CSA)			110 V
AU-8020	CABLE GROUPES	GROUPS WIRE	CN8	1/6	EVG1
				2/3/5	DOG1
			CN9	1/6	EVG2
				2/3/5	DOG2
			CN10	1/6	EVG3
				2/3/5	DOG3
			CN14	1/6	EVSE
				3/4/9	DOE
				5/10	EVSU
				2/7	SNH
			CN15	LED TASSES CUPS LIGHT	
			CN18		
AU-8021	CABLE POMPE,REPLISSAGE,CAPTEUR PRESSION	FILLING, PUMP, PRESSURE SENSOR WIRE	CN1	1/2	BORNIER 230 V
			CN3		POMPE 230 V
			CN16	1/6	EVRE
				2/6/7	CAPTEUR PRESSION
				3	SNH
AU-8022	CABLE COMMANDE RELAIS STATIQUES	STATIC RELAYS WIRE	CN6		RELAIS STATIQUES 12 V STATIC RELAY 12 V
			CN7		
AU-8023	CABLE COMMANDE CHAUFFE	HEATING WIRE			ENTREE RELAIS STATIQUES
AU-8024	CABLE CONNECTION TRANSFO/CARTE MERE	CONNEXION BETWEEN MOTHERBOARD/TRANSFO WIRE	CN5	1/2	24 V
				4/5	230 V
AU-8026	CABLE SECURITE	SECURITY WIRE	CN2		
AU-8027	CABLE NAPPE BOITIER	ELECTRICAL BOXES WIRE	CN12		
NM-8000	CABLE THERMOSTAT RESISTANCE	RESISTANCE THERMOSTAT WIRE			
NM-8001	CABLE RESISTANCE XS	RESISTANCE XS WIRE			
NZ-8007	CABLE DOSAMAT	DOSAMAT WIRE			DOSAMAT GROUPE
09/18	LISTES DES CABLES ELECTRICAL WIRES LISTING				513