

**TRADITIONAL COFFEE APPLIANCE
MACHINE A CAFÉ TRADITIONNELLE**



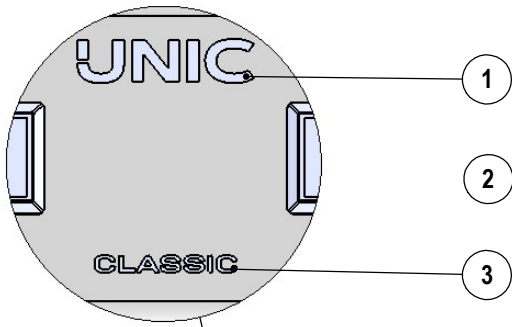
CLASSIC 123

PNCs List:

PNC	MODEL	REF	DESCRIPTION	NOTE
602288	CBN2MAIEI8INS21	a	CLASSIC 2 SGB Mono220V 4,3Kw UL/NSF Inox	
602531	CGN2LAIEI1SEO10	b	CLASSIC 2 RL 400V 4,7Kw CE/CB Special LAVAZZA	
602537	CGN3LAIEI1SEO10	c	CLASSIC 3 RL400V 4,7Kw CE Special LAVAZZA	
602626	CLN1MA0EI2IES01	d	CLASSIC 1- 6.3LT BOILER- MANUAL STEAM&WATER	
602627	CLN1MA0EI2IES35	e	CLASSIC 1- 6.3LT BOILER- MANUAL STEAM&WATER	
602628	CLN1MA0EI4IES35	f	CLASSIC 1- 6.3LT BOILER- MANUAL STEAM&WATER- UK	
602629	CLN2MAIEI4IES35	g	CLASSIC 2- 10.1LT BOILER- MANUAL STEAM&WATER- UK	
602630	CLN2MAIEI2IES01	h	CLASSIC 2- MONO 230V/50 HZ- MANUAL STEAM & WATER	
602631	CLN2MAIEI1IES01	i	CLASSIC 2- 10.1LT BOILER- MANUAL STEAM&WATER	
602632	CLN3MAIEI1IES01	j	CLASSIC 3- 15.6LT BOILER- STEAM&WATER	
602633	CLN2MAIEI2IES35	k	CLASSIC 2- MONO 230V/50 HZ- MANUAL STEAM & WATER	
602634	CLN2MAIEI1IES35	l	CLASSIC 2 - 10.1LT BOILER - MANUAL STEAM&WATER	
602635	CLN3MAIEI1IES35	m	CLASSIC 3- 15.6LT BOILER- MANUAL STEAM&WATER	
602636	CLN1LA0EI2IES01	n	CLASSIC RL 1- 6.3LT BOILER- MANUAL STEAM&WATER	
602637	CLN2LAIEI2IES01	o	CLASSIC RL 2- MONO 230V/50 HZ- MANUAL STEAM & WATER	
602638	CLN2LAIEI1IES01	p	CLASSIC RL 2- 10.1LT BOILER- MANUAL STEAM&WATER	
602639	CLN3LAIEI1IES01	q	CLASSIC RL 3- 15.6LT BOILER- MANUAL STEAM&WATER	
602641	CLN2MAIEI4IES26	r	CLASSIC 2- 10.1LT BOILER- MANUAL STEAM&WATER- UK	
602643	CLN3MAIEI4IES35	s	CLASSIC E3- 15.6LT BOILER- MANUAL STEAM&WATER- UK	
602645	CLN1CA0EIBINS14	t	CLASSIC 1 GR 110/60 UL MONO 3 WIRES	
602646	CLN2CAIEI8INS14	u	CLASSIC 2 GR 220/60 UL MONO 3 WIRES	
602647	CLN3CAIEI8INS14	v	CLASSIC 3 GR 220/60 UL MONO 3 WIRES	
602655	CLN1MA0EI8IES02	w	CLASSIC 1 Maestro Mono220V 3Kw CE/CB Inox	
602661	CON1MA0RI2IES25	x	CLASSIC 1 Maestro Mono230V 3Kw CE/CB Inox	
602662	CBN2MAIRI1IES25	y	CLASSIC 2 Maestro 400V 4,7Kw Inox	
602663	CBN3MAIRI1IES25	z	CLASSIC 3 Maestro 400V 4,7Kw CE/CB Inox	
602665	CLN2MAIEI8IES02	a1	CLASSIC 2 Maestro Mono220V 4,3Kw CE/CB Inox	
602708	CLN1MA0EIJICS20	b1	CLASSIC 1 Maestro Mono100V 1,5Kw CE/CB Inox	
602709	CLN1MA0EICICS20	c1	CLASSIC 1 Maestro Mono200V 2,3Kw CE/CB Inox	
602710	CLN2MAIEICICS20	d1	CLASSIC 2 Maestro Mono200V 2,3Kw CB Inox	
602919	CBN3MAIEI1IES04	e1	CLASSIC 3 SGB Maestro 400V 4,7Kw CE/CB Inox	
602940	CON1CA0EHBINS14	f1	CLASSIC 1 SGS Crema teflon Mono110V 1,7Kw Inox	
602941	CBN2CAHEH8INS14	g1	CLASSIC 2 SGB Crema teflon Mono220V 4,3Kw UL/NSF Inox	

602942	CBN3CAHEH8INS14	h1	CLASSIC 3 SGB Crema teflon Mono220V 4,3Kw Inox	
602943	CBH1CA0HSBINS14	i1	CLASSIC PLUS 1GR TALL CUP STEAMAIR 110/60 UL/NSF	
602944	CBH2CAMHS8INS14	j1	CLASSIC PLUS 2GR TALL CUP STEAMAIR 220/60 UL/NSF	
602954	CBN2MAIEI2IES04	k1	CLASSIC 2 SGB Maestro Mono230V 3Kw CE/CB Inox	
602977	COH1CA0HMBINS14	l1	CLASSIC PLUS 1GR TALL CUP STEAMGLIDE 110/60 UL/NSF	
602978	CBH2CAMHM8INS14	m1	CLASSIC PLUS 2GR TALL CUP STEAMGLIDE 220/60 UL/NSF	
602988	CLN1CA0EHBINS12	n1	CLASSIC 1 Crema teflon Mono110V 1,7Kw UL/NSF Inox	
602989	CLN2CAHEH8INS12	o1	CLASSIC 2 Crema teflon Mono220V 4,3Kw UL/NSF Inox	
602990	CLN3CAHEH8INS12	p1	CLASSIC 3 Crema teflon Mono220V 4,3Kw UL/NSF Inox	
604020	CON1MA0EIDIKS32	q1	CLASSIC 1 SGS MAESTRO MONO220V 2,3KW KC INOX	
604021	CON2MAIEIDIKS32	r1	CLASSIC 2 SGS MAESTRO MONO220V 2,3KW KC INOX	
604022	CBH2MAIRI1IES25	s1	CLASSIC 2 TALLCUP SGB MAESTRO 400V 4,7KW INOX	
604032	CLH1FA0RJ2IES25	t1	CLASSIC 1 HAUTE DHA IP MONO230V 3KW INOX LANDWER	
604500	CGN2MAIES1IES17	u1	CLASSIC 2 SA Maestro 400V 4,7Kw CE/CB Inox CAFE RICHARD	
604501	CGN3MAIES1IES17	v1	CLASSIC 3 SA Maestro 400V 4,7Kw CE/CB Inox CAFE RICHARD	
604508	CLN2MAIEIDIKS32	w1	CLASSIC 2 Maestro Mono220V 2,7Kw KC Inox	
604510	CBH2CAJEDJIUS37	x1	CLASSIC 2 SGB Haute Crema Mono220V 2,7Kw UL/NSF Inox	
604511	COH1CAOEJDIUS37	y1	CLASSIC 1 SGS Haute Crema Mono220V 2,7Kw UL/NSF Inox	
604515	CLN2LAIEI2SES01	z1	CLASSIC 2 SA RL Mono230V 3Kw CE/CB Inox	
604516	CLN3LAIEI1SES01	a2	CLASSIC 3 SA RL 400V 4,7Kw CE/CB special	

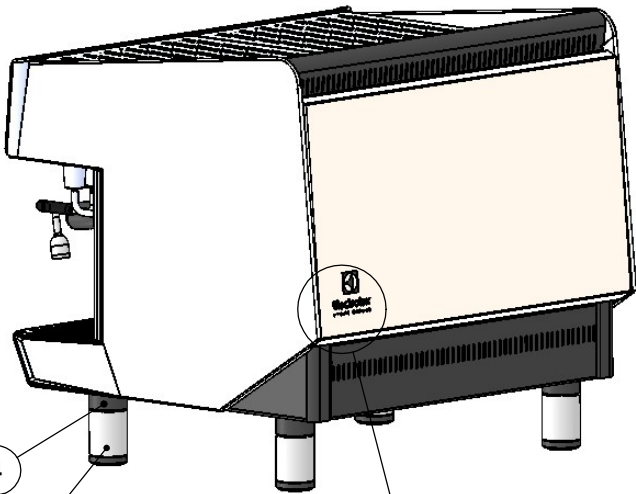
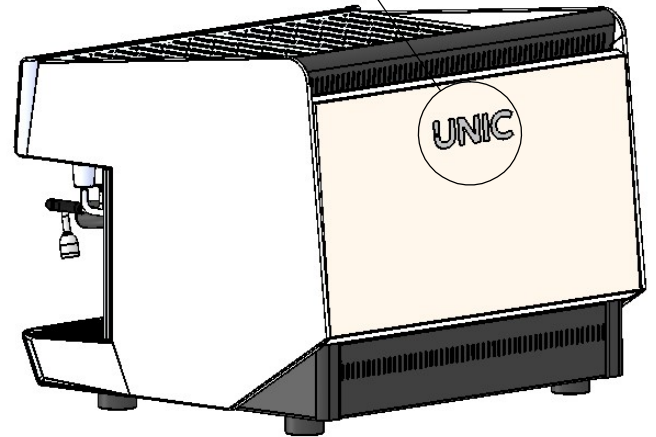
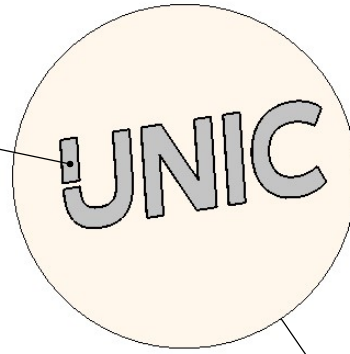
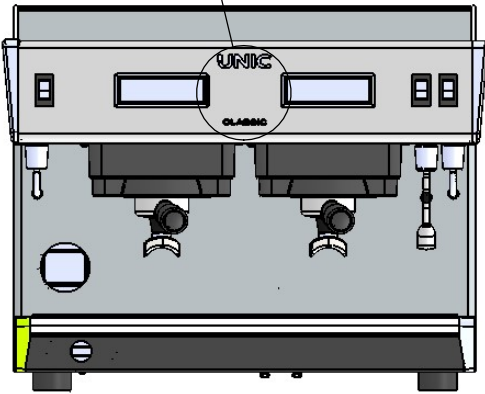
1XX	Page	HABILLAGE	MACHINE CASNG
100	4	LOGOS CLASSIC 12	<i>LABELS CLASSIC 123</i>
110	6	HABILLAGE CLASSIC 123	<i>CLASSIC 123 CASING</i>
120	8	CALANDRE CLASSIC 123	<i>CLASSIC 123 FRONT PANEL</i>
2XX		SORTIES EXTÉRIEURES	EXTERNAL OUPUT
200	10	EV SORTIE EAU CHAUDE & VAPEUR	<i>EV HOT WATER & STEAM OUTLET</i>
210	12	SORTIE VAPEUR INOX	<i>STEAM OUTLET STAINLESS STEEL</i>
212	14	SORTIE VAPEUR INOX V+	<i>STEAM OUTLET V+ STANLESS STEEL</i>
220	16	SORTIE VAPEUR TEFLON	<i>STEAM OUTLET TEFLON</i>
221	18	SORTIE VAPEUR PTFE	<i>PTFE STEAM OUTLET</i>
240	20	SORTIE STEAMAIR	<i>STEAMAIR OUTLET</i>
261	22	SORTIE EAU CHAUDE	<i>HOT WATER OUTLET</i>
3XX		HYDRAULIQUE	HYDRAULIC CIRCUIT
301	24	CIRCUIT HYDRAULIQUE CLASSIC 1	<i>HYDRAULIC CIRCUIT CLASSIC 1</i>
302	26	CIRCUIT HYDRAULIQUE CLASSIC 2	<i>HYDRAULIC CIRCUIT CLASSIC 2</i>
303	28	CIRCUIT HYDRAULIQUE CLASSIC 3	<i>HYDRAULIC CIRCUIT CLASSIC 3</i>
310	30	ENTRÉE D'EAU & VIDANGE 1GR	<i>INLET WATER & DRAIN 1 UNIT</i>
311	32	ENTRÉE D'EAU & VIDANGE 2 & PLUS	<i>INLET WATER & DRAIN 2 & MORE</i>
320	34	MOTEUR POMPE 100L-200L	<i>100L-200L MOTORS PUMPS</i>
330	36	DOSEURS D'ALIMENTATION 230V	<i>WATER DOSING UNIT 230V</i>
335	38	MANOMÈTRE	<i>MANOMETER</i>
340	40	CHAUDIÈRE	<i>BOILER</i>
346	42	GROUPE INJECTION 230V	<i>230V COFFEE GROUP</i>
4XX		CIRCUIT CAFÉ	COFFEE SYSTEM
493	44	PORTE FILTRE POIGNÉE COURTE	<i>FILTER HOLDER SHORT HANDLE</i>
5XX		ÉLECTRONIQUE	ELECTRONIC SYSTEM
501	46	COMPOSANTS ÉLECTRIQUES 1GR	<i>1 UNIT ELECTRICAL COMPONENTS</i>
502	48	COMPOSANTS ÉLECTRIQUES 2 & PLUS	<i>2 & MORE UNITS ELECTRICAL COMPONENTS</i>
511	50	SCHEMA DE PRINCIPE DE CABLAGE 1GR	<i>1 UNIT DIAGRAM WIRING</i>
512	52	SCHEMA DE PRINCIPE DE CABLAGE 2GR	<i>2 UNITS DIAGRAM WIRING</i>
513	54	SCHEMA DE PRINCIPE DE CABLAGE 3GR	<i>3 UNITS DIAGRAM WIRING</i>
6XX		OPTION/KIT	OPTION/KIT



1

2

3



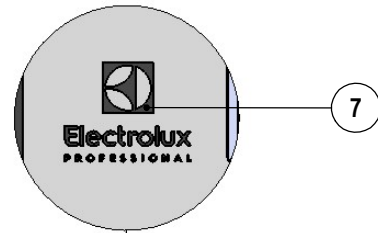
4

5

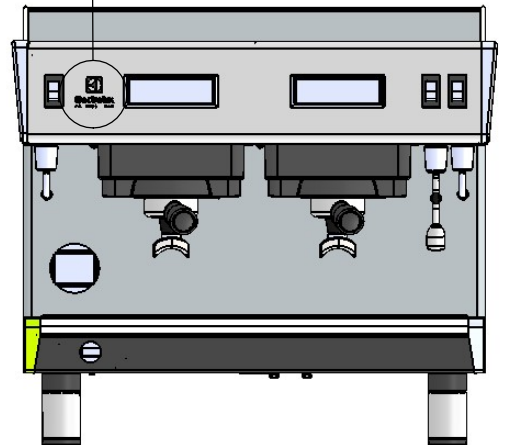
6



Positionnement des Logos non contractuels
 Non contractual positioning of logos



7



09/24

CLASSIC 123
 CLASSIC 123

100

PLANCHE - PLATE 100

Pos.	Fact. code	Code	Description FR	Description GB	V	W&T	REF.	NOTES	S/N BREAK
1	46308		STICKER UNIC 70MM METAFLEX	UNIC STICKER 70MM METAFLEX			d;h;i;j;n;o;p;q;t;u;v;w;a1;b1 c1;d1;f1;g1h1;i1;j1;z1;a2		
2	46309		STICKER UNIC 150MM METAFLEX	UNIC STICKER 150MM METAFLEX			d;h;i;j;n;o;p;q;t;u;v;w;a1;b1 c1;d1;f1;g1h1;i1;j1;z1;a2		
3	46311		Sticker Classic 7mm Metalflex chrome black	CLASSIC STICKER 7MM METAFLEX			d;h;i;j;n;o;p;q;t;u;v;w;a1;b1 c1;d1;f1;g1h1;i1;j1;z1;a2		
4	NM002	0UN502	PIED CAOUTCHOUC NOIR	FOOT					
5	54000	0UNDM3	PIED REGLABLE 71/79 VIS M8X15	ADJUSTABLE FOOT					
5	54004	871041	KIT PIED REGLABLE 71/79 VIS M8X15	KIT ADJUSTABLE FOOT					
6	46261	0UNI1W	LOGO ELECTROLUX METAFLEX NOIR 70MM	70MM BLACK METAFLEX ELECTROLUX LOGO			e;f;g;k;l;m;s		
7	46258	0UNBXP	LOGO ELECTROLUX METAFLEX NOIR 50MM	50MM BLACK METAFLEX ELECTROLUX LOGO			e;f;g;k;l;m;s		

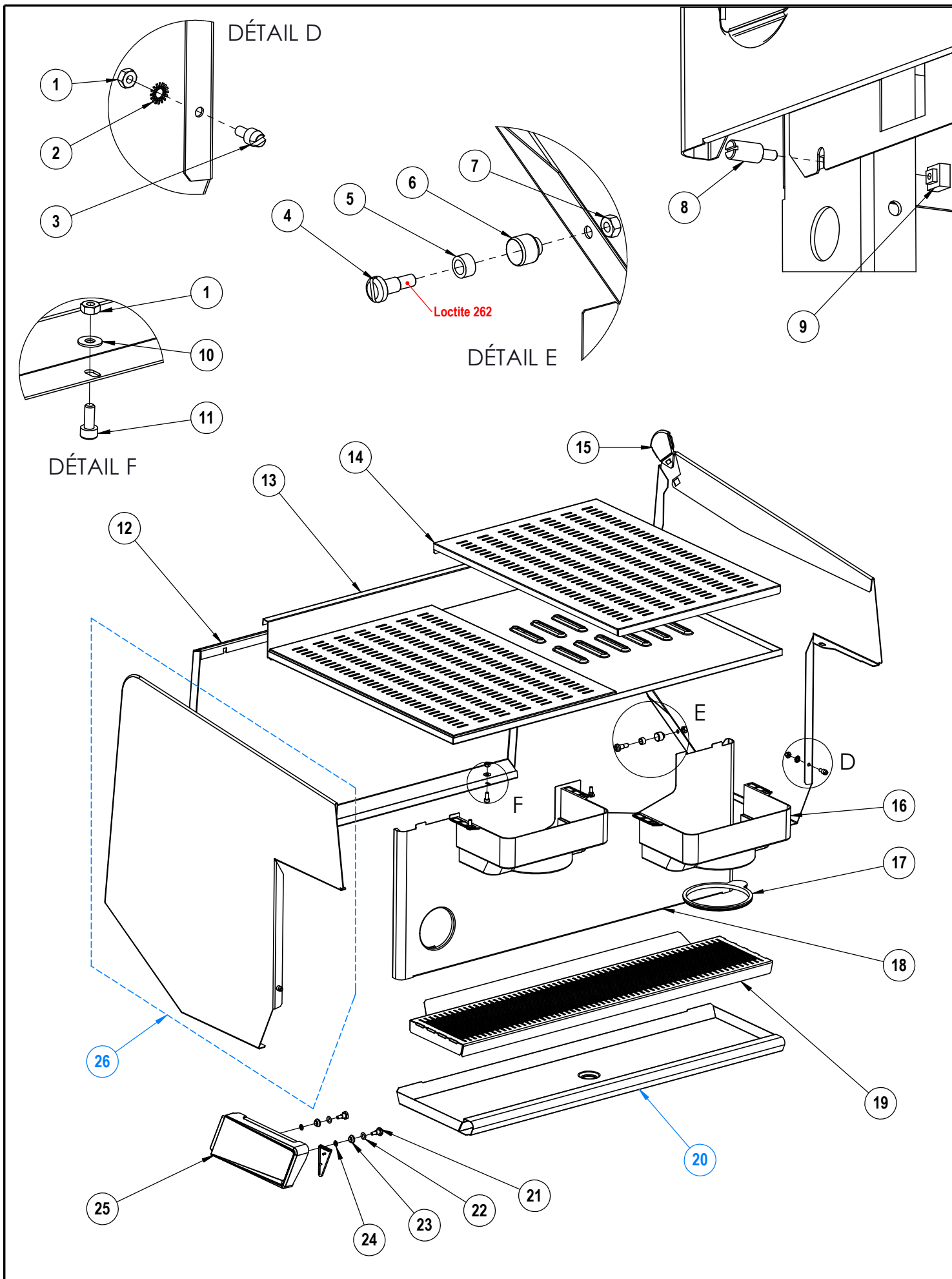
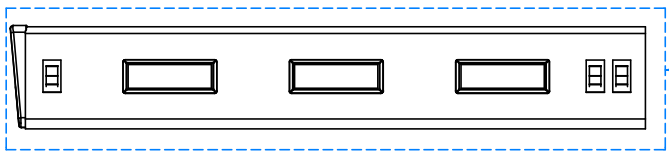
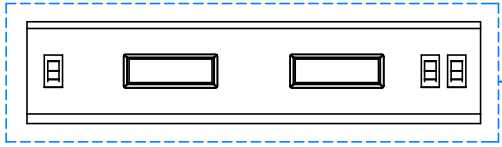


PLANCHE - PLATE 110

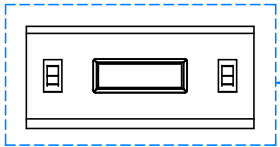
Pos.	Fact. code	Code	Description FR	Description GB	V	W&T	REF.	NOTES	S/N BREAK
1	PG14	0UN277	ECROU M4	NUT M4					
2	CN343	0UNA3M	RONDELLE EVENTAIL 4	WASHER 4					
3	FR4056	0UN462	VIS SPECIAL COTE	SIDE SCREW					
4	50215	0UN441	VIS EPAULEE COTE	SIDE SCREW					
5	28904	0UN329	RESSORT ELASTOMERE	RUBBER SPRING					
6	60002	0UN445	DOUILLE RESSORT ELASTOMERE	RUBBER SPRING SOCKET					
7	51100	0UNA5V	ECROU M5 INOX	NUT M5					
8	RB4004	0UNJRH	VIS BUTEE BASSINE	STOP SCREW					
9	52514	0UN037	ECROU RAPIDE M4 EP:2	NUT M4					
10	PG15B	0UNA3S	RONDELLE INOX 4.2X10X0.8	WASHER					
11	PE59	0UN201	VIS TCHC M4x10 INOX	SCREW 4 X 10					
12	RB3042	0UNA7Y	CHEMISE ARRIERE	REAR CASING			d,e,f,n,t,w,x;b1;c1;f1;i1;j1; n1;q1;t1;y1		
12	RB3132	0UNI3U	CHEMISE ARRIERE CLASSIC 2	CLASSIC 2 REAR CASING			a,b,g,h,i,j,k;l;o;p,r;u;y;a1; d1;g1;j1;m1;o1;r1;s1;u1; w1;x1;z1		
12	RB3133	0UNI3V	CHEMISE ARRIERE CLASSIC 3	CLASSIC 3 REAR CASING			c,j,m,q,s;v;z,e1;h1;p1;v1;a2		
13	RB3021	0UNHFO	CHAUFFE TASSE 1GR	1 UNIT CUP WARMER			d,e,f,n,t,w,x;b1;c1;f1;i1;j1; n1;q1;t1;y1		
13	RB3022	0UNHFP	CHAUFFE TASSE 2GR	2 UNITS CUP WARMER			a,b,g,h,i,j,k;l;o;p,r;u;y;a1; d1;g1;j1;m1;o1;r1;s1;u1; w1;x1;z1		
13	RB3023	0UNHFQ	CHAUFFE TASSE 3GR	3 UNITS CUP WARMER			c,j,m,q,s;v;z,e1;h1;p1;v1;a2		
14	RB3025	0UNHFR	VERRIERE L300	CUP RACK					
14	RB3035	0UNHFU	VERRIERE L219	CUP RACK			c,j,m,q,s;v;z,e1;h1;p1;v1;a2		
15	RB7018	0UNI3Z	ENJOLIVEUR RAYON	RADIUS COVER					
16	DV163	0UNDXR	JUPETTE PLASTIQUE MOD	COVER PLASTIC					
17	DV164	0UNDXS	JOINT POUR JUPETTE NSF	GASKET COVER					
18	RB3011	0UNHFL	DEVANT 1GR	1 UNIT FRONT			d,e,f,n,t,w,x;b1;c1;f1;n1;q1		
18	RB3094	0UNHHE	DEVANT 2GR	2 UNITS FRONT			a,b,g,h,i,j,k;l;o;p,r;u;y;a1; d1;g1;k1;o1;r1;u1;w1;z1		
18	RB3095	0UNHHF	DEVANT 3GR	3 UNITS FRONT			c,j,m,q,s;v;z,e1;h1;p1;v1;a2		
18	RB3048		DEVANT 1GR HAUT	1 UNIT HIGH FRONT			i1;j1;t1;y1		
18	RB3514	0UNJPD	DEVANT CLASSIC 2 HAUTE	2 UNITS HIGH FRONT			j1;m1;s1;x1		
19	RB3061	0UN147	GRILLE DE BASSINE 1GR	1 UNIT OVERFLOW TRAY GRID			d,e,f,n,t,w,x;b1;c1;f1;i1;j1; n1;q1;t1;y1		
19	RB3062	0UNA5H	GRILLE DE BASSINE 2GR	2 UNITS OVERFLOW TRAY GRID			j1;m1;s1;x1		
19	RB3092	0UNHHC	GRILLE DE BASSINE 2GR	2 UNITS OVERFLOW TRAY GRID			a,b,g,h,i,j,k;l;o;p,r;u;y;a1; d1;g1;k1;o1;r1;u1;w1;z1		
19	RB3093	0UNHHD	GRILLE DE BASSINE 3GR	3 UNITS OVERFLOW TRAY GRID			c,j,m,q,s;v;z,e1;h1;p1;v1;a2		
20	RB3141	0UNJBM	BASSINE CLASSIC 1 SOUDEE	CLASSIC 1 WELDED BASIN			d,e,f,n,t,w,x;b1;c1;f1;i1;j1; n1;q1;t1;y1		
20	RB3142	0UNJBL	BASSINE CLASSIC 2 SOUDEE	CLASSIC 2 WELDED BASIN			a,b,g,h,i,j,k;l;o;p,r;u;y;a1; d1;g1;k1;o1;r1;u1;w1;z1		
20	RB3143	0UNJBK	BASSINE CLASSIC 3 SOUDEE	CLASSIC 3 WELDED BASIN			c,j,m,q,s;v;z,e1;h1;p1;v1;a2		
21	FR4072	0UN310	VIS EPAULEE M4	SCREW M4					
22	ID62	0UNFDA	JOINT TORIQUE POUR EV PI-45	SOLENOID O'RING - GROUP					
23	FR4066	0UNE81	OLIVE DE FIXATION	NIPPLE					
24	PG15	0UNG9F	RONDELLE LAITON DE 4 TYPE Z	WASHER					
25	RB7025	0UNI40	JOUE DE BASSINE G	LEFT ORNAMENTAL OVERFLOW TRAY					
25	RB7026	0UNI41	JOUE DE BASSINE D	RIGHT ORNAMENTAL OVERFLOW TRAY					
26	RB1440	0UNJDE	COTE GAUCHE CLASSIC 123 ASSEMBLE	COMPLET LEFT SIDE CLASSIC 123			a,b,c,d,e,f,g,h,i,j,k;l;m;n;o; p,q,r;s;t;u;v;w;x;y;za1;b1; c1;d1;e1;f1;g1;h1;k1;n1; o1;p1;q1;r1;u1;v1;w1;z1; a2		
26	RB1441	0UNJDF	COTE DROIT CLASSIC 123 ASSEMBLE	COMPLET RIGHT SIDE CLASSIC 123			a,b,c,d,e,f,g,h,i,j,k;l;m;n;o; p,q,r;s;t;u;v;w;x;y;za1;b1; c1;d1;e1;f1;g1;h1;k1;n1; o1;p1;q1;r1;u1;v1;w1;z1; a2		
26	RB1442		COTE GAUCHE CLASSIC HAUTE ASSEMBLE	COMPLET LEFT SIDE CLASSIC 123			i1;j1;l1;m1;s1;t1;x1;y1		
26	RB1443		COTE DROIT CLASSIC HAUTE ASSEMBLE	COMPLET RIGHT SIDE CLASSIC 123			i1;j1;l1;m1;s1;t1;x1;y1		



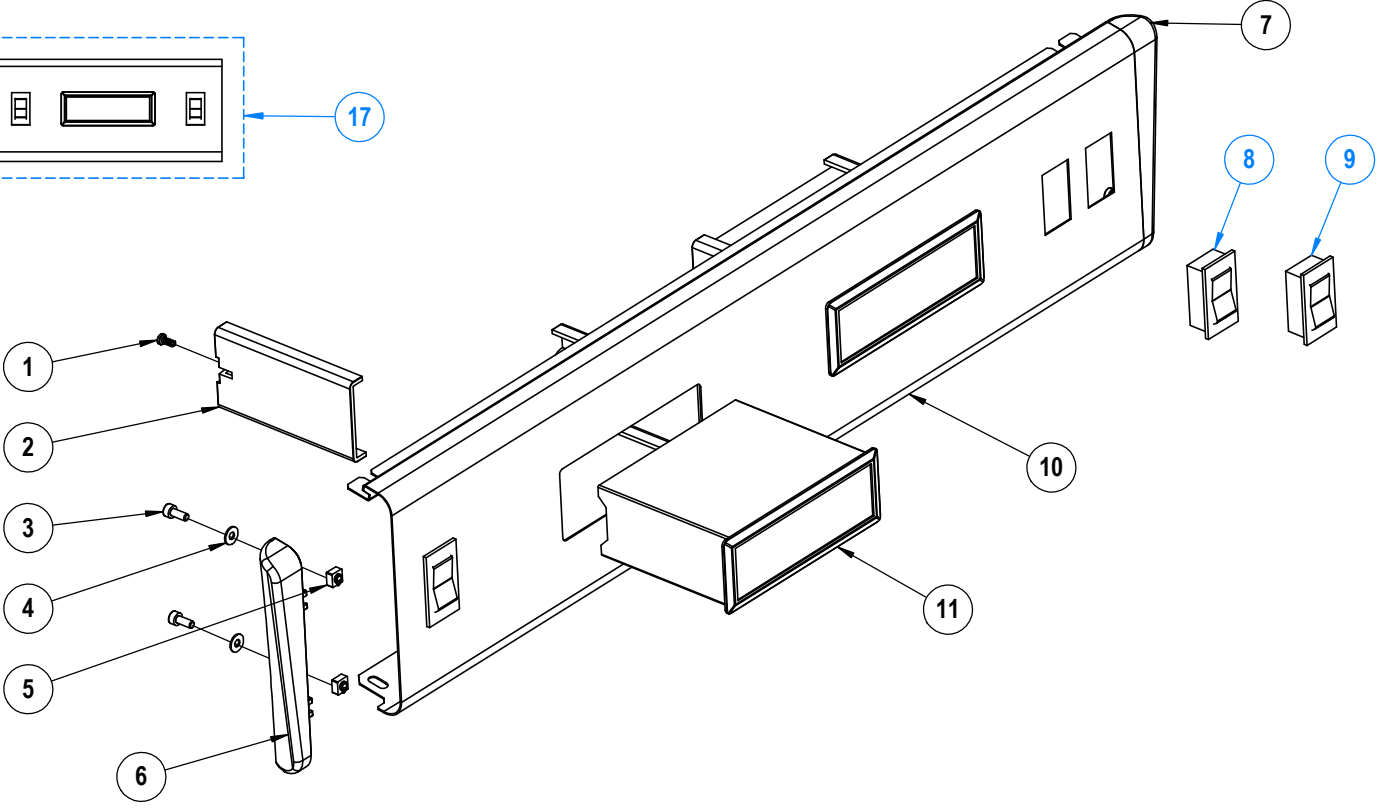
15



16



17



1

2

3

4

5

6

8

9

7

10

11

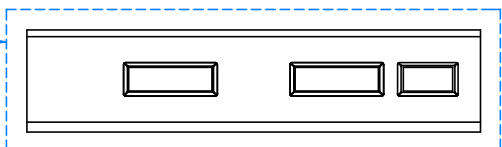
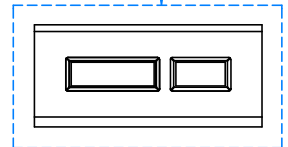
12

14

13

18

19



08/24

CALANDRE CLASSIC 123
CLASSIC 123 FRONT PANEL

120

PLANCHE - PLATE 120

Pos.	Fact. code	Code	Description FR	Description GB	V	W&T	REF.	NOTES	S/N BREAK
1	50703	0UNDLF	VIS PARKER N6 9.5 SP CRUCIF.	PARKER SCREW					
2	45003	0UNDDJ	PATTE DE FIXATION	FASTENING LUG					
3	PE59	0UN201	VIS TCHC M4x10 INOX	SCREW 4 X 10					
4	PG15B	0UNA3S	RONDELLE INOX 4.2X10X0.8	WASHER					
5	TG4004	0UN587	ECROU INSERT	INSERT NUT					
6	TG7010	0UN417	OREILLE GAUCHE	LEFT ORNAMENTAL FRONT PANEL					
7	TG7012	0UN418	OREILLE DROITE	BLACK RIGHT ORNAMENTAL FRONT PANEL					
8	43405	0UN068	INTERRUPTEUR EAU CHAUDE	HOT WATER SWITCH					
9	43406	0UN116	INTERRUPTEUR VAPEUR	STEAM SWITCH					
10	RB3511	0UNI3W	CALANDRE CLASSIC 1	1 UNIT FRONT PANEL			d;e;f;n;t;w;b1;c1;f1;n1;t1;y1		
10	RB3512	0UNBFT	CALANDRE CLASSIC 2	2 UNITS FRONT PANEL			g;h;i;k;l;o;p;r;u;a1;d1;o1; r1;w1;z1		
10	RB3513	0UNI3X	CALANDRE CLASSIC 3	3 UNITS FRONT PANEL			j;m;q;s;v;e1;h1;p1;a2		
11	45166	0UNI1R	BOITIER D2 230V SS LOGO	ELECTRONIC BOX 230V D2 STANDARD			d;e;h;i;j;k;l;m;n;o;p;q;u;v; w;a1;c1;d1;e1;h1;k1;o1; p1;r1;t1;w1;z1;a2		
11	45167	0UNI1S	BOITIER D2 115V SS LOGO	ELECTRONIC BOX 115V D2 STANDARD			t;b1;f1;i1;l1;n1;y1		
11	45170	0UNI5H	BOITIER D2 250V SS LOGO	ELECTRONIC BOX 250V D2 STANDARD			f;g;r;s		
12	ED20	0UNJE9	RECTANGLE FIXATION BOITE	RUBBER FIXING FOR ELECTRO BOX					
13	45045	0UNDDW	BOITIER STEAMAIR 230V	STEAMAIR ELECTRONIC BOX 230V			j1;u1;y1		
13	45046	0UNDDX	BOITIER STEAMAIR 115V	STEAMAIR ELECTRONIC BOX 115V			i1		
13	45072	0UNJDU	BOITIER EAU VAP SANS LOGO UNIC	HOT WATER STEAM BOX			k1		
14	RB3501		CALANDRE 1 GR ELUX	1 UNIT FRONT PANEL			x;l1;q1		
14	RB3502		CALANDRE 2 GR ELUX	2 UNITS FRONT PANEL			k1		
14	RB3507		CALANDRE MIRA 1G STEAMAIR ELEC	1 UNIT FRONT PANEL			i1;l1		
15	RB1613	0UNI3T	KIT CALANDRE CLASSIC 3 D2 220V	COMPLET 3 UNITS FRONT PANEL			j;q;v;e1;h1;p1;a2		
15	RB1635		KIT CALANDRE CLASSIC 3 D2 220V ELUX	COMPLET 3 UNITS FRONT PANEL			m		
15	RB1636		KIT CALANDRE CLASSIC 3 D2 240V ELUX	COMPLET 3 UNITS FRONT PANEL			s		
16	RB1612	0UNI3S	KIT CALANDRE CLASSIC 2 D2 220V	COMPLET 2 UNITS FRONT PANEL			h;i;o;p;u;a1;d1;o1;r1;w1;z1		
16	RB1625		KIT CALANDRE CLASSIC 2 D2 220V ELUX	COMPLET 2 UNITS FRONT PANEL			k1		
16	RB1626		KIT CALANDRE CLASSIC 2 D2 240V ELUX	COMPLET 2 UNITS FRONT PANEL			g;r		
17	RB1610		KIT CALANDRE CLASSIC 1 D2 110V	COMPLET 1 UNIT FRONT PANEL			t;b1;f1;n1;y1		
17	RB1611	0UNI3R	KIT CALANDRE CLASSIC 1 D2 220V	COMPLET 1 UNIT FRONT PANEL			d;n;w;c1;t1		
17	RB1615		KIT CALANDRE CLASSIC 1 D2 220V ELUX	COMPLET 1 UNIT FRONT PANEL			e		
17	RB1616		KIT CALANDRE CLASSIC 1 D2 240V ELUX	COMPLET 1 UNIT FRONT PANEL			f		
18	RB1651		KIT CALAND CL1 D2 110V ROBINET	COMPLET 1 UNIT FRONT PANEL			l1		
18	RB1656		KIT CALANDRE CL1 D2 110V STEAMAIR	COMPLET 1 UNIT FRONT PANEL			i1		
19	RB1652		KIT CALANDRE CL2 D2 220V BOITIER EAU CHAUDE	COMPLET 2 UNITS FRONT PANEL			k1		

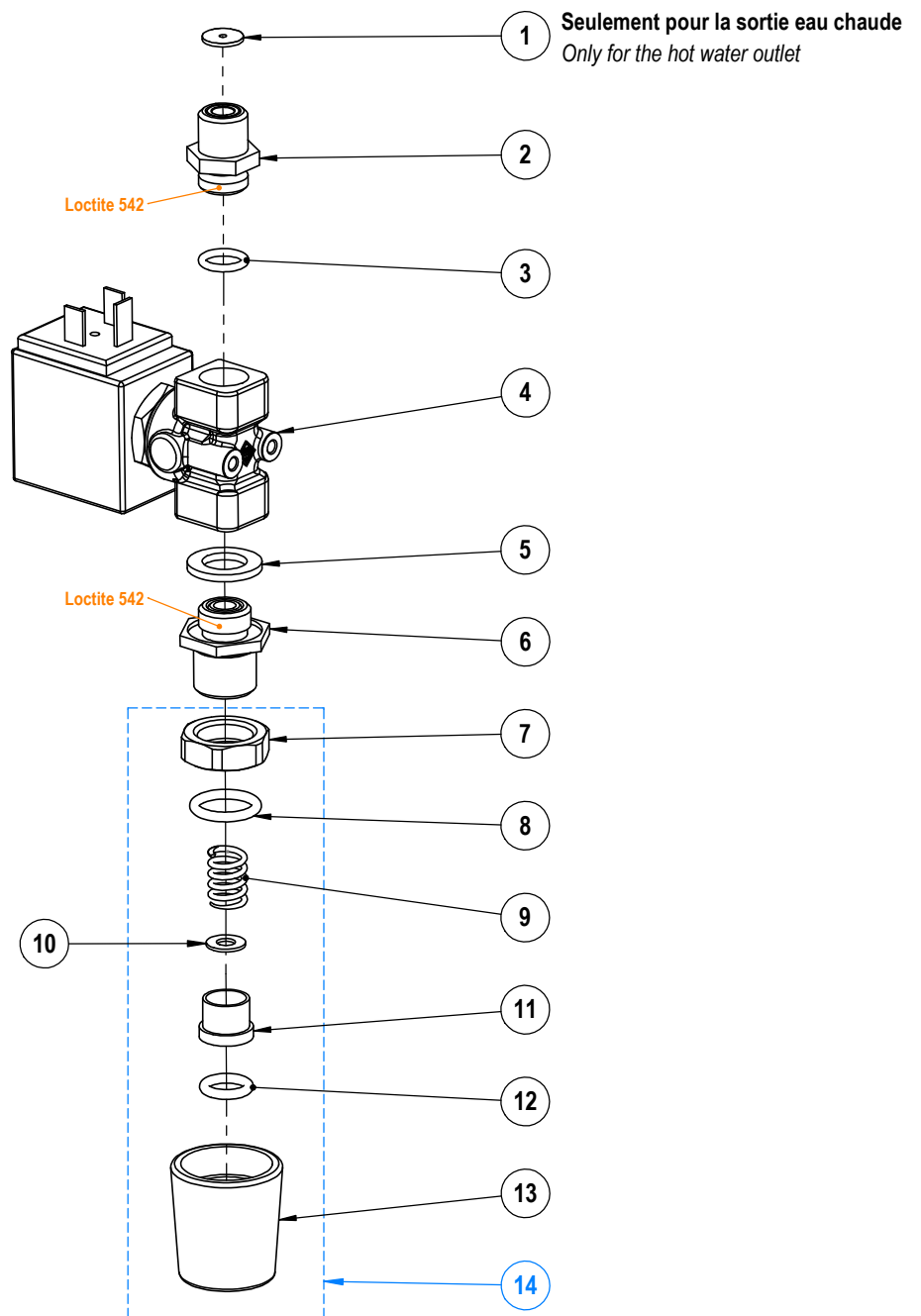
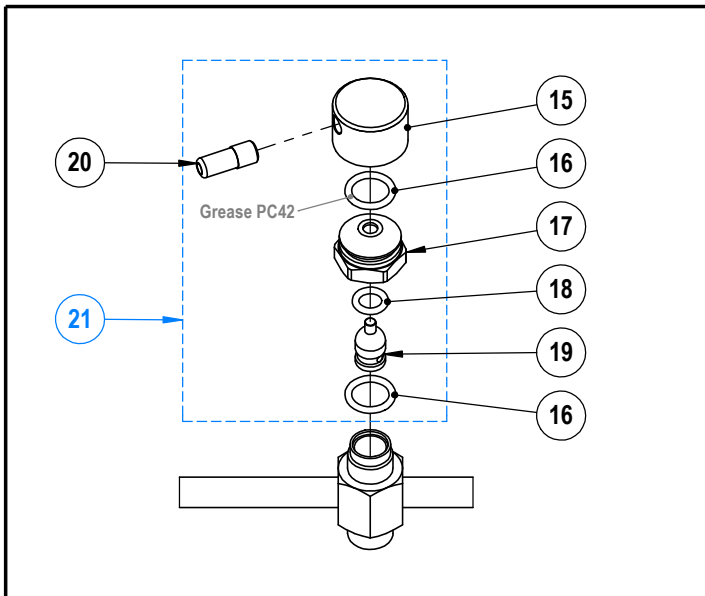
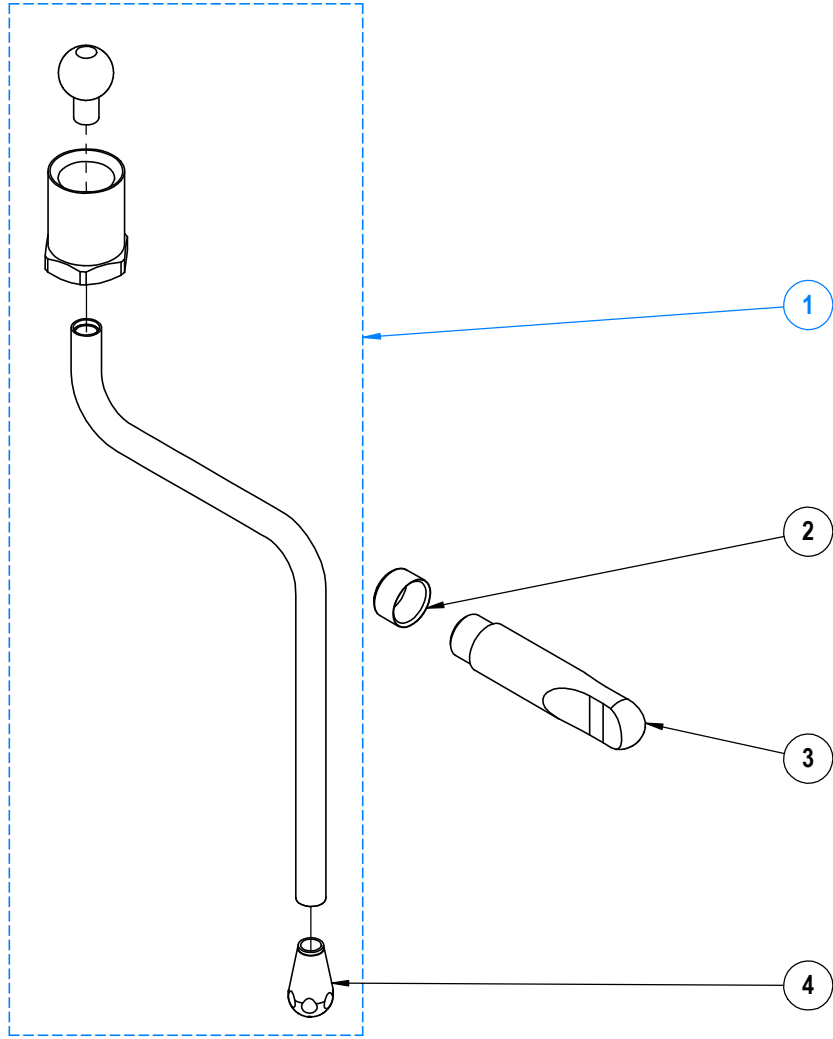


PLANCHE - PLATE 200

Pos.	Fact. code	Code	Description FR	Description GB	V	W&T	REF.	NOTES	S/N BREAK
1	DV203	0UN968	JOINT PLAT CUIVRE 1/4 D:2mm	WASHER 1/4 D:2					
2	20952	0UN934	RACCORD 1/4 MALE	FITTING 1/4 M					
3	28104	0UN146	JOINT TORIQUE 2X9,5 FKM 80SH	GASKET 2X9,5				for water	
3	28134	0UN019	JOINT TORIQUE 2X9,5 NEXUS	O RING 2X9,5				for steam	
4	35511	0UNI3I	ELECTROV. 2V - 220V-230V / 50-60	2 WAYS 230VDC			a;b;c;d;e;f;g;h;i;j;k;l;m;n;o; p;q;r;s;u;v;w;x;y;z;a1;c1; d1;e1;g1;h1;k1;m1;o1;p1; q1;r1;s1;t1;w1;x1;y1;z1; a2		
4	CN245G	0UNBLM	ELECTROVANNE 2V 110V-60Hz / 100V-50Hz	ELECTROVALVE 2W 110V-60Hz / 100V-50Hz			t;b1;f1;l1;n1		
4	35141	0GMHQ9	ELECTROVANNE 3/2 110/120V-50/60Hz	ELECTROVALVE 3/2 110/120V-50/60Hz			i1		
4	35142	0UNHRZ	ELECTROVANNE 3/2 220/230V-50/60Hz	ELECTROVALVE 3/2 220/230V-50/60Hz			j1;u1;v1		
5	28352	0UN017	JOINT PLAT 20X12X2 EPDM 70SH	GASKET 20X12X2					
6	DV171	0UN498	RACCORD 3/8-1/4	FITTING 3/8					
7	DV170	0UN645	ECROU CHROME	NUT 3/8					
8	PH54	0UN133	JOINT TORIQUE 2,62X13,95 EPDM	O RING - 13.95 x 2.62					
9	PA43	0UN199	RESSORT F15/10 L14,5 D10,5 P3	SPRING					
10	AG14	0UN176	JOINT CUIVRE M12	COPPER GASKET					
11	RR67	0UN210	EMBOUT LAITON	BRASS END					
12	PH78	0UN202	JOINT TORIQUE 2,62X9,13 EPDM	O RING - 9,13 X 2,62					
13	25915	0UN531	CACHE SORTIE EAU VAPEUR	COVER OUTLET STEAM WATER					
14	NA1063	0UNJU3	KIT SORTIE	OUTLET KIT					
15	27227	0UN432	CABOCHON VALVE DE PURGE	STOPPER PURGE VALVE					
16	CN2825		VIS INOX TF 4 12	SCREW M4 X 12					
17	27226	0UN491	ECROU VALVE DE PURGE	VACCUM VALVE NUT					
18	CN198	0UN178	JOINT TORIQUE 1,78X6,07 FKM	GASKET - 6.07 x 1.78					
19	27225	0UN556	TIGE VALVE SPHERIQUE	SPHERICAL ROD					
20	28176	0UN019	JOINT TORIQUE 2X9,5 NEXUS	O RING 2X9,5					
21	27224	0UN156	KIT VALVE DE PURGE	VACCUM VALVE KIT					



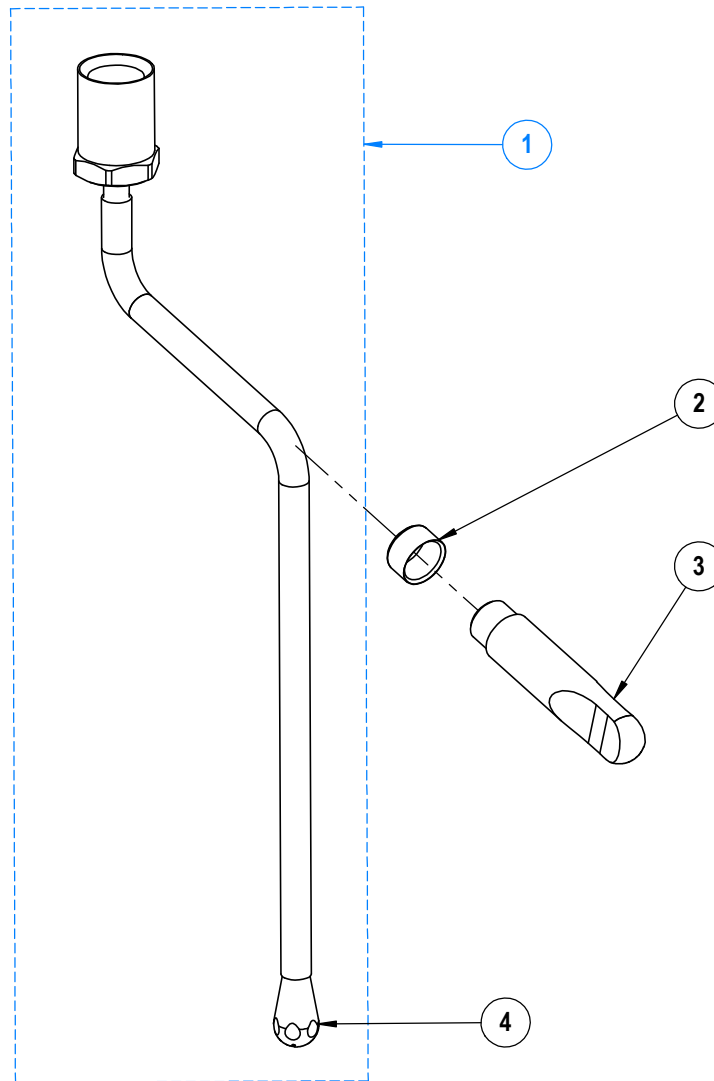
05/24

SORTIE VAPEUR INOX
STEAM OUTLET STAINLESS STEEL

210

PLANCHE - PLATE 210

Pos.	Fact. code	Code	Description FR	Description GB	V	W&T	REF.	NOTES	S/N BREAK
1	25901	0UNBG4	SORTIE VAPEUR INOX	STAINLESS STEEL STEAM OUTLET			a;b;c;d;e;f;g;h;i;j;k;l;m;n;o; p;q;r;s;t;u;v;w;x;y;z;a1;b1; c1;d1;e1;f1;g1;h1;k1;n1; o1;p1;q1;r1;u1v1;w1;z1; a2		
2	25910	0UN523	POIGNEE SORTIE EAU CHAUDE ET VAPEUR	HOT WATER AND STEAM OUTLET HANDLE					
3	25911	0UN543	BAGUE POUR POIGNEE EAU ET VAPEUR	WATER AND STEAM HANDLE COLLAR					
4	25934		BRISE JET VAPEUR M6.75x0.75	BREEZE JET STEAM M6.75x0.75					



09/24

SORTIE VAPEUR INOX V+
STEAM OUTLET V+ STAINLESS STEEL

212

PLANCHE - PLATE 212

Pos.	Fact. code	Code	Description FR	Description GB	V	W&T	REF.	NOTES	S/N BREAK
1	25903	0UN424	SORTIE VAPEUR INOX V+	V+ STAINLESS STEEL STEAM OUTLET			i;j;l;l;m1;s1;t1;x1;y1		
2	25911	0UN543	BAGUE POUR POIGNEE EAU ET VAPEUR	WATER AND STEAM HANDLE COLLAR					
3	25910	0UN523	POIGNEE SORTIE EAU CHAUDE ET VAPEUR	HOT WATER AND STEAM OUTLET HANDLE					
4	25934		BRISE JET VAPEUR M6.75x0.75	BREEZE JET STEAM M6.75x0.75					

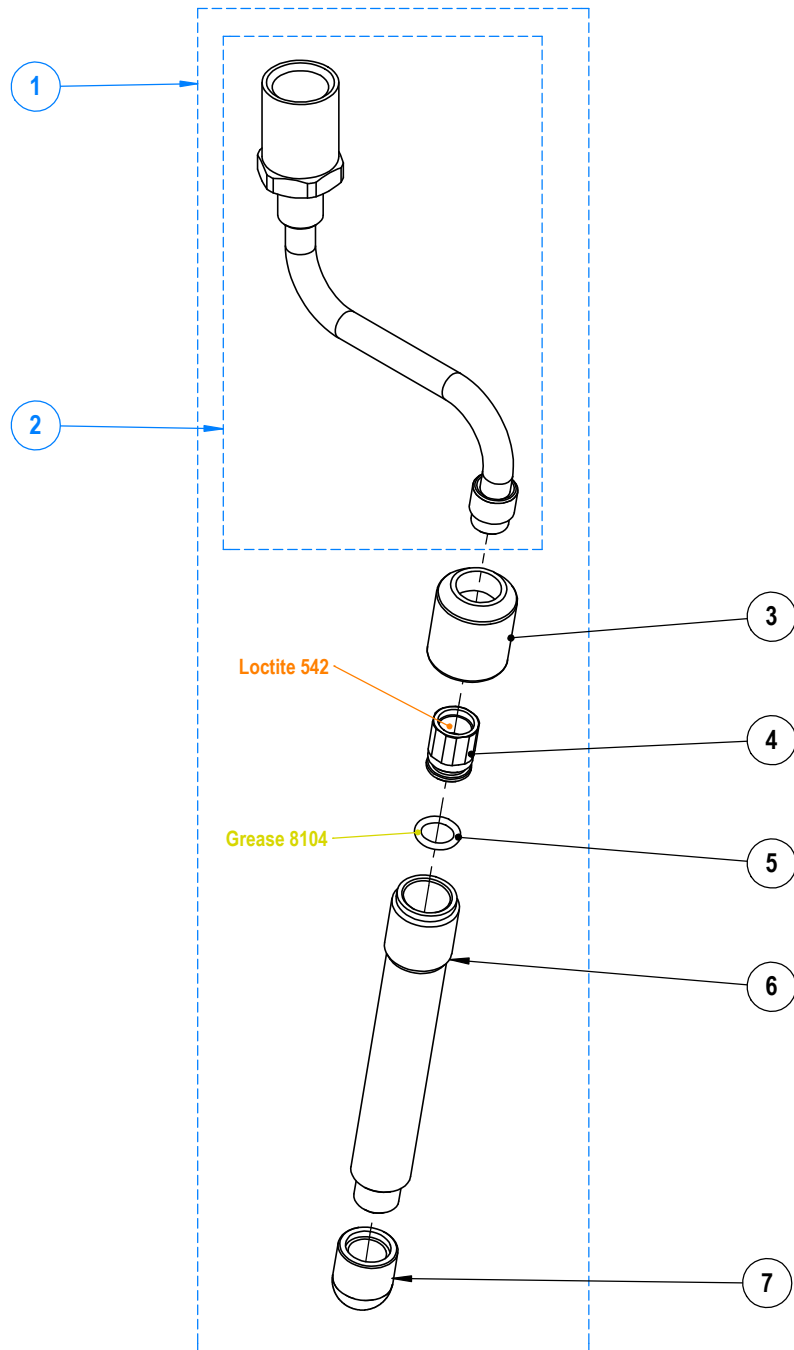


PLANCHE - PLATE 220

Pos.	Fact. code	Code	Description FR	Description GB	V	W&T	REF.	NOTES	S/N BREAK
1	RO69	871013	SORTIE VAPEUR TEFLON	TEFLON STEAM SPOUT			f1:g1:h1;n1;o1:p1		
2	RB6020		TUBE CHROME SORTIE VAPEUR NSF	STEAM OUTLET PIPE			f1:g1:h1;n1;o1:p1		
3	RO76	0UNHI2	BAGUE SORTIE VAPEUR	FITTING PLASTIC					
4	RO73	0UNHI1	RACCORD SORTIE VAPEUR	FITTING STEAM OUTLET					
5	CN436	0UN145	JOINT TORIQUE 1,78X8,73 EPDM	GASKET 8,73 X 1,78					
6	RO72	0UNHI0	TUBE TEFLON	PIPE TEFLON					
7	RO70	0UNHHZ	EMBOUT VAPEUR TEFLON 6 TROUS	LOW TEFLON PIPE					

1

2

Loctite 542

Grease 8104

3

4

5

6

7

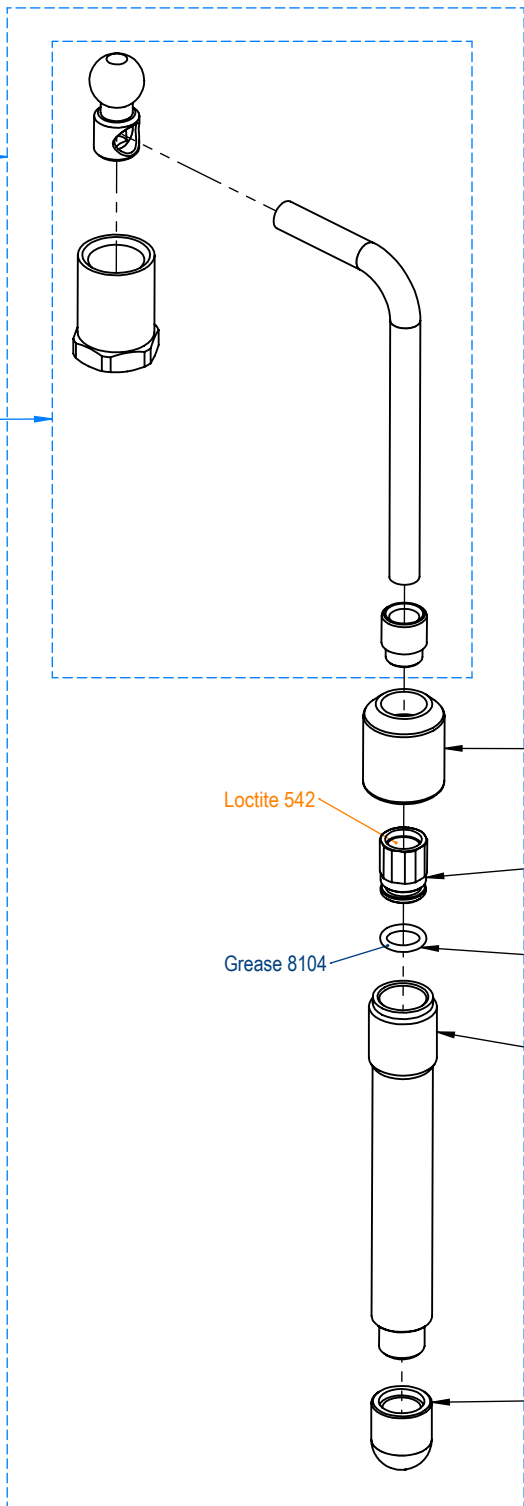
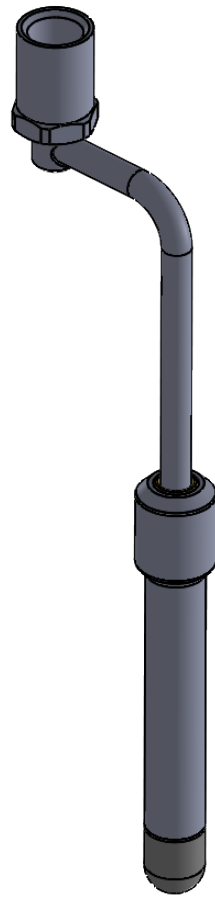
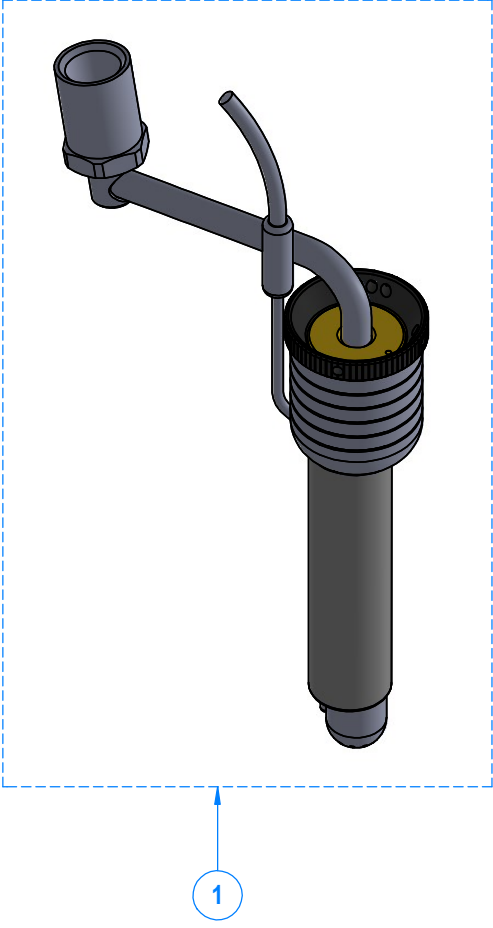
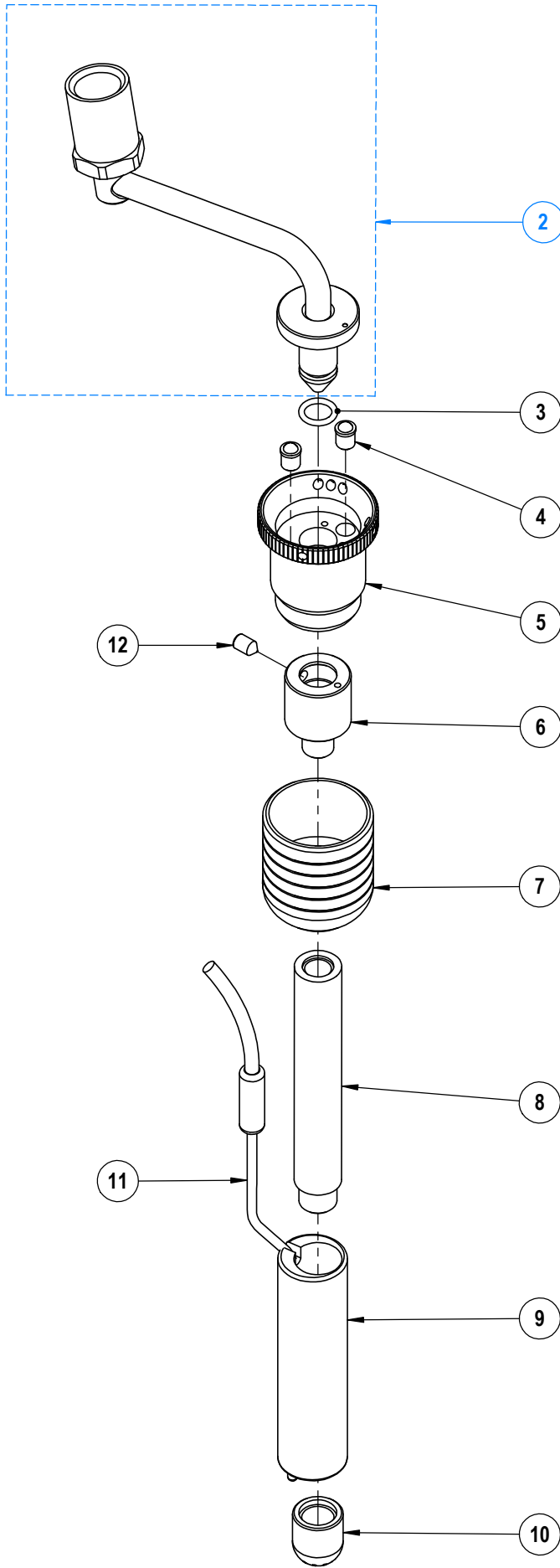


PLANCHE - PLATE 221

Pos.	Fact. code	Code	Description FR	Description GB	V	W&T	REF.	NOTES	S/N BREAK
1	FR1058	0UNE46	SORTIE VAPEUR PTFE	PTFE STEAM OUTLET			i;j;l;l;m1		
2	FR6014	0UN998	TUBE SORTIE VAPEUR PTFE	PTFE STEAM OUTLET PIPE			i;j;l;l;m1		
3	RO76	0UNHI2	BAGUE SORTIE VAPEUR	FITTING PLASTIC					
4	RO73	0UNHI1	RACCORD SORTIE VAPEUR	FITTING STEAM OUTLET					
5	CN436	0UN145	JOINT TORIQUE 1,78X8,73 EPDM	GASKET 8,73 X 1,78					
6	RO72	0UNHI0	TUBE TEFLON	PIPE TEFLON					
7	RO70	0UNHHZ	EMBOUT VAPEUR TEFLON 6 TROUS	LOW TEFLON PIPE					



05/24

SORTIE STEMAIR
STEAMAIR OUTLET

240

PLANCHE - PLATE 240

Pos.	Fact. code	Code	Description FR	Description GB	V	W&T	REF.	NOTES	S/N BREAK
1	DV1015	0UNDXP	SORTIE STEAMAIR	STEAMAIR OUTLET			i1;j1;u1;v1		
2	RO-59A	0UNHHY	TUBE SORTIE VAPEUR SP	CHROME COPPER TUBE					
3	CN436	0UN145	JOINT TORIQUE 1,78X8,73 EPDM	GASKET 8,73 X 1,78					
4	RO58	0UN209	POUSSOIR A BILLE	THRUST BALL BEARING					
5	RO55	0UN420	BARILLET	BARREL					
6	RO57	0UN951	MELANGEUR EN LAITON	MIXER					
7	RO68	0UNA01	CACHE BARILLET	BARREL COVER					
8	25907	0UN919	TUBE PTFE STEAMAIR	PTFE STEAMAIR PIPE					
9	25905	0UNC20	SUPPORT DE SONDE	PROBE SUPPORT					
10	25909	0UN154	EMBOUT PTFE 12 TROUS	12 HOLES END PIPE					
11	34405	0UN112	SONDE VAPEUR THERMOSTATEE	THERMOSTATED STEAM PROBE					
12	PC38	0UN200	VIS STHC M5X8 BOUT POINTU	POINT END SCREW					

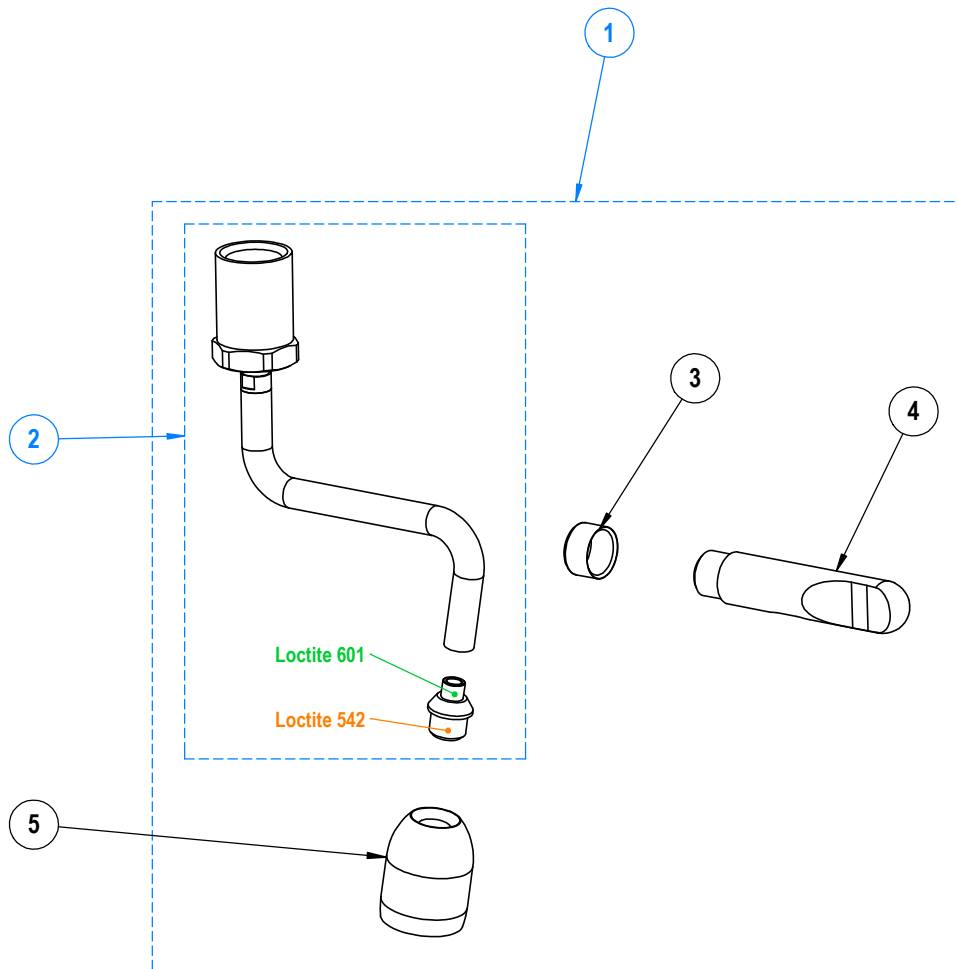


PLANCHE - PLATE 261

Pos.	Fact. code	Code	Description FR	Description GB	V	W&T	REF.	NOTES	S/N BREAK
1	25730	0UNC1Y	SORTIE EAU CHAUDE INOX COMPLETE	HOT WATER OUTLET					
2	25728		TUBE SORTIE EAU CHAUDE INOX	HOT WATER OUTLET PIPE					
3	25911	0UN543	BAGUE POUR POIGNEE EAU ET VAPEUR	WATER AND STEAM HANDLE COLLAR					
4	25910	0UN523	POIGNEE SORTIE EAU CHAUDE ET VAPEUR	HOT WATER AND STEAM OUTLET HANDLE					
5	25716	0UNC1X	BRISE JET POUR TUBE INOX EAU CHAUDE	WINDSHIELD FOR HOT WATER PIPE					

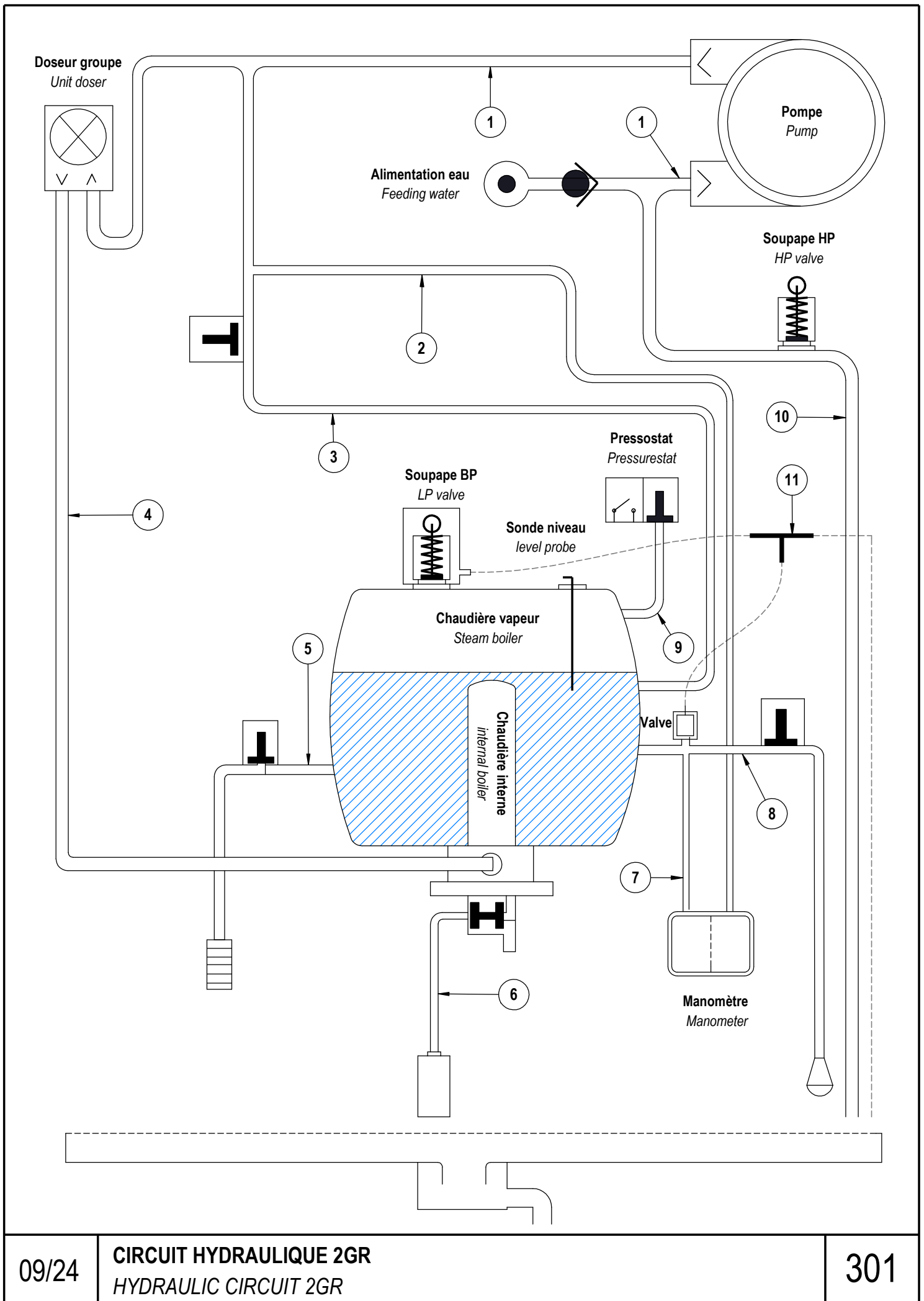


PLANCHE - PLATE 301

Pos.	Fact. code	Code	Description FR	Description GB	V	W&T	REF.	NOTES	S/N BREAK
1	ID75	0UN347	TUBE FLEXIBLE COUDE ARME INOX	FLEXIBLE PIPE					
2	DV6014S		TUBE CUIVRE MANOMETRE HP	PIPE HP MANOMETER					
3	DV6081	0UN659	TUBE DE REMPLISSAGE	PIPE BOILER FILLING					
4	DV6080	0UNBVW	TUBE ALIMENTATION 1ER GROUPE	PIPE UNIT FILLING					
5	DV6098		TUBE EAU CHAUDE	HOT WATER PIPE					
6	DV6039	0UNBLU	TUBE DE DECOMPRESSION	PIPE GROUP DISCHARGE					
7	RB6096	0UN858	TUBE VALVE VAPEUR	PIPE STEAM VALVE					
8	RB6095	0UN858	TUBE VALVE VAPEUR	PIPE STEAM VALVE					
9	DV6082	0UN689	TUBE PRESSOSTAT SEC	PIPE PRESSURESTAT					
10	DV6068		TUBE CUIVRE SOUPAPE HP	PIPE VALVE EXHAUST					
11	23602	0UNJQ6	T DIAMETRE 6	T DIAMETER 6					

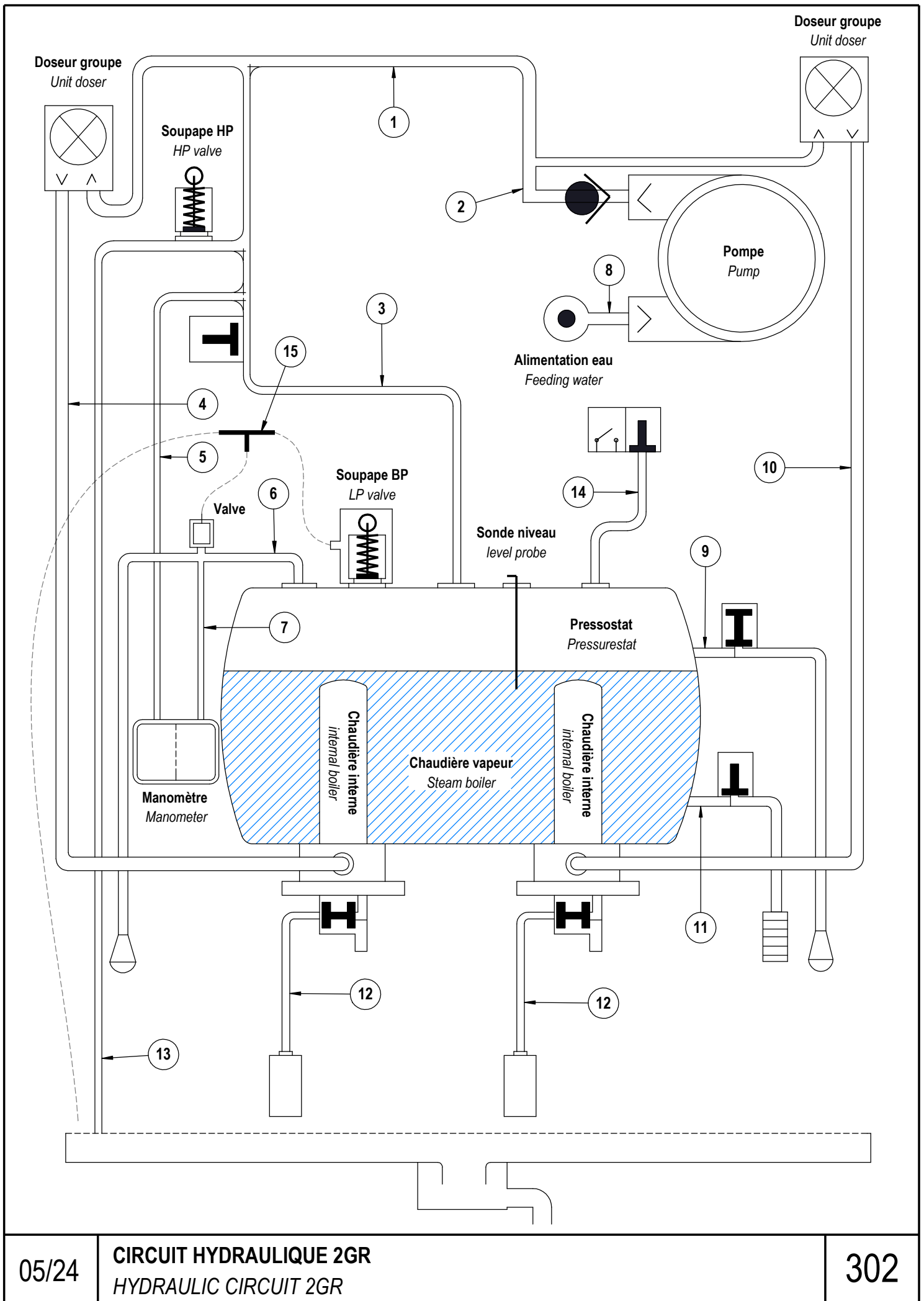


PLANCHE - PLATE 302

Pos.	Fact. code	Code	Description FR	Description GB	V	W&T	REF.	NOTES	S/N BREAK
1	DV6077S	0UNJFY	TUBE ALIMENTATION DOSEUR	PIPE DOSER FILLING					
2	CN625	0UN392	TUBE FLEXIBLE ARME	FLEXIBLE PIPE					
3	DV6076S	0UNJFX	TUBE DE REMPLISSAGE	PIPE BOILER FILLING					
4	DV6070S	0UNJFS	TUBE ALIMENTATION 1° GR	PIPE UNIT FILLING					
5	DV6014S		TUBE CUIVRE MANOMETRE HP	PIPE HP MANOMETER					
6	DV6073S	0UNJFV	TUBE VALVE VAPEUR	PIPE STEAM VALVE					
7	DV6074S		TUBE MANOMETRE BP	PIPE LP MANOMETER					
8	ID75	0UN347	TUBE FLEXIBLE COUDE ARME INOX	FLEXIBLE PIPE					
9	DV6078S	0UNJFZ	TUBE ALIMENTATION VAPEUR DROITE	PIPE RIGHT STEAM FILLING					
10	DV6071S	0UNJFT	TUBE ALIMENTATION 2° GR	PIPE UNIT FILLING					
11	DV6072S	0UNJFU	TUBE ALIMENTATION EV	PIPE ELECTROVALVE FILLING					
12	DV6039	0UNBLU	TUBE DE DECOMPRESSION	PIPE GROUP DISCHARGE					
13	DV6066S	0UNJFR	TUBE CUIVRE SOUPAPE HP	PIPE VALVE EXHAUST					
14	DV6075S	0UNJFW	TUBE PRESSOSTAT SEC	PIPE PRESSURESTAT					
15	23602	0UNJQ6	T DIAMETRE 6	T DIAMETER 6					

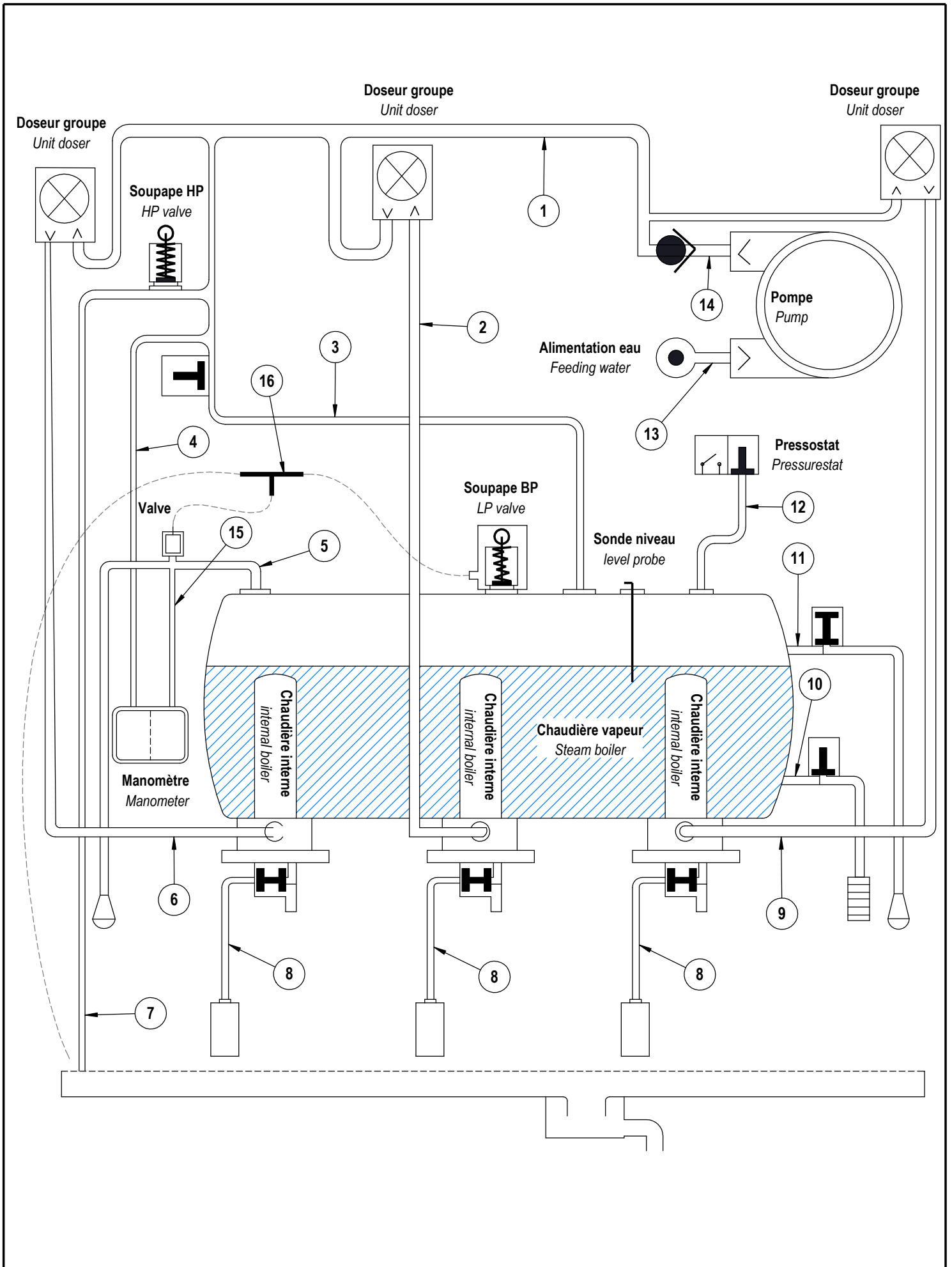


PLANCHE - PLATE 303

Pos.	Fact. code	Code	Description FR	Description GB	V	W&T	REF.	NOTES	S/N BREAK
1	DV6090		TUBE ALIMENTATION DOSEUR	PIPE DOSER FILLING					
2	DV6085	0UNE1G	TUBE ALIMENTATION 2EME GROUPE	PIPE UNIT FILLING					
3	DV6088		TUBE DE REMPLISSAGE	PIPE BOILER FILLING					
4	DV6014S		TUBE CUIVRE MANOMETRE HP	PIPE HP MANOMETER					
5	DV6073S	0UNJFV	TUBE VALVE VAPEUR	PIPE STEAM VALVE					
6	DV6084	0UNE1F	TUBE ALIMENTATION 1ER GROUPE	PIPE UNIT FILLING					
7	DV6066S	0UNJFR	TUBE CUIVRE SOUPE HP	PIPE VALVE EXHAUST					
8	DV6039	0UNBLU	TUBE DE DECOMPRESSION	PIPE GROUP DISCHARGE					
9	DV6086		TUBE ALIMENTATION 3EME GROUPE	PIPE UNIT FILLING					
10	DV6072S	0UNJFU	TUBE ALIMENTATION EV	PIPE ELECTROVALVE FILLING					
11	DV6078S	0UNJFZ	TUBE ALIMENTATION VAPEUR DROITE	PIPE RIGHT STEAM FILLING					
12	DV6087		TUBE PRESSOSTAT SEC	PIPE PRESSURESTAT					
13	ID75	0UN347	TUBE FLEXIBLE COUDE ARME INOX	FLEXIBLE PIPE					
14	CN625	0UN392	TUBE FLEXIBLE ARME	FLEXIBLE PIPE					
15	DV6074S		TUBE MANOMETRE BP	PIPE LP MANOMETER					
16	23602	0UNJQ6	T DIAMETRE 6	T DIAMETER 6					

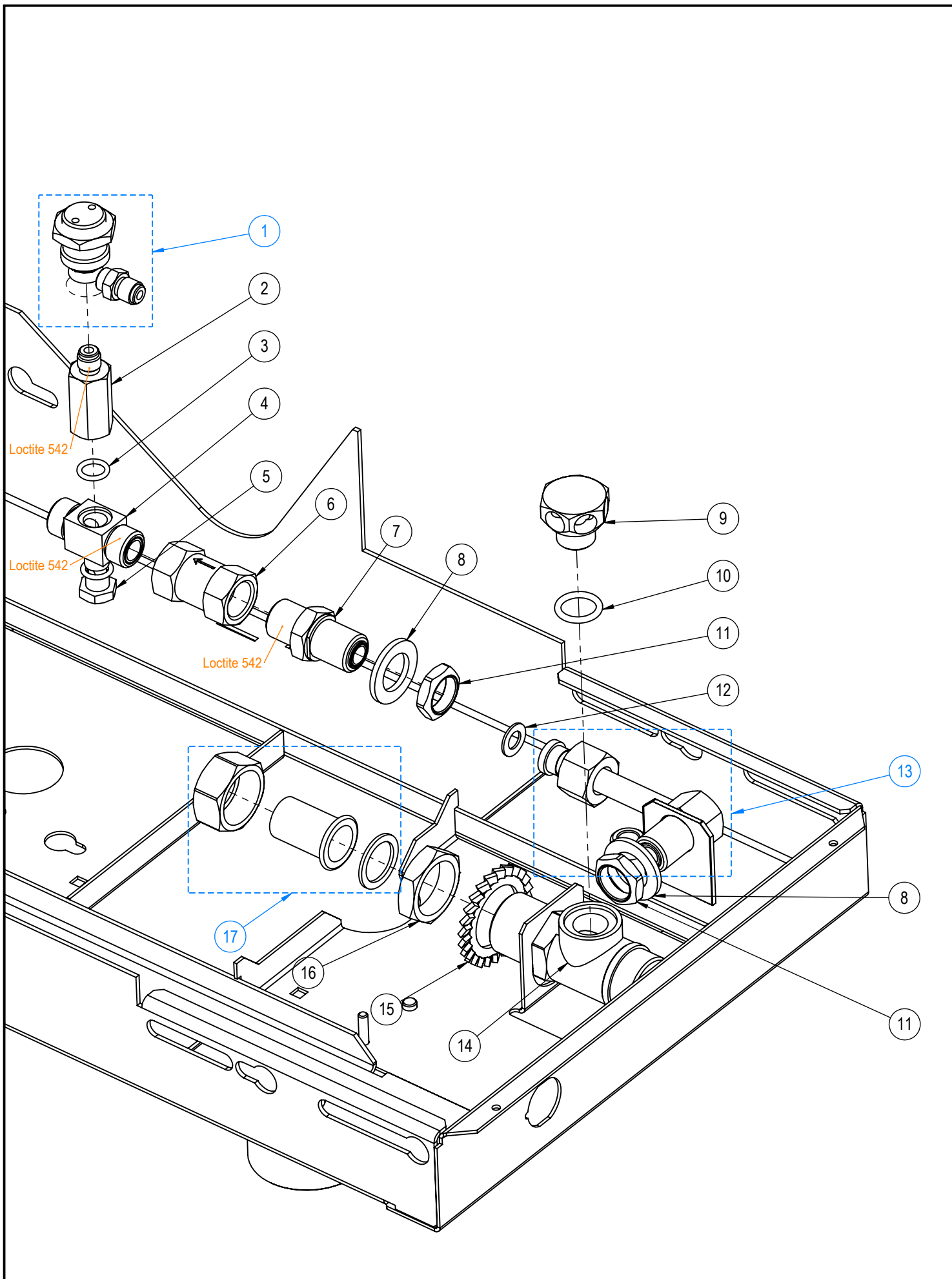
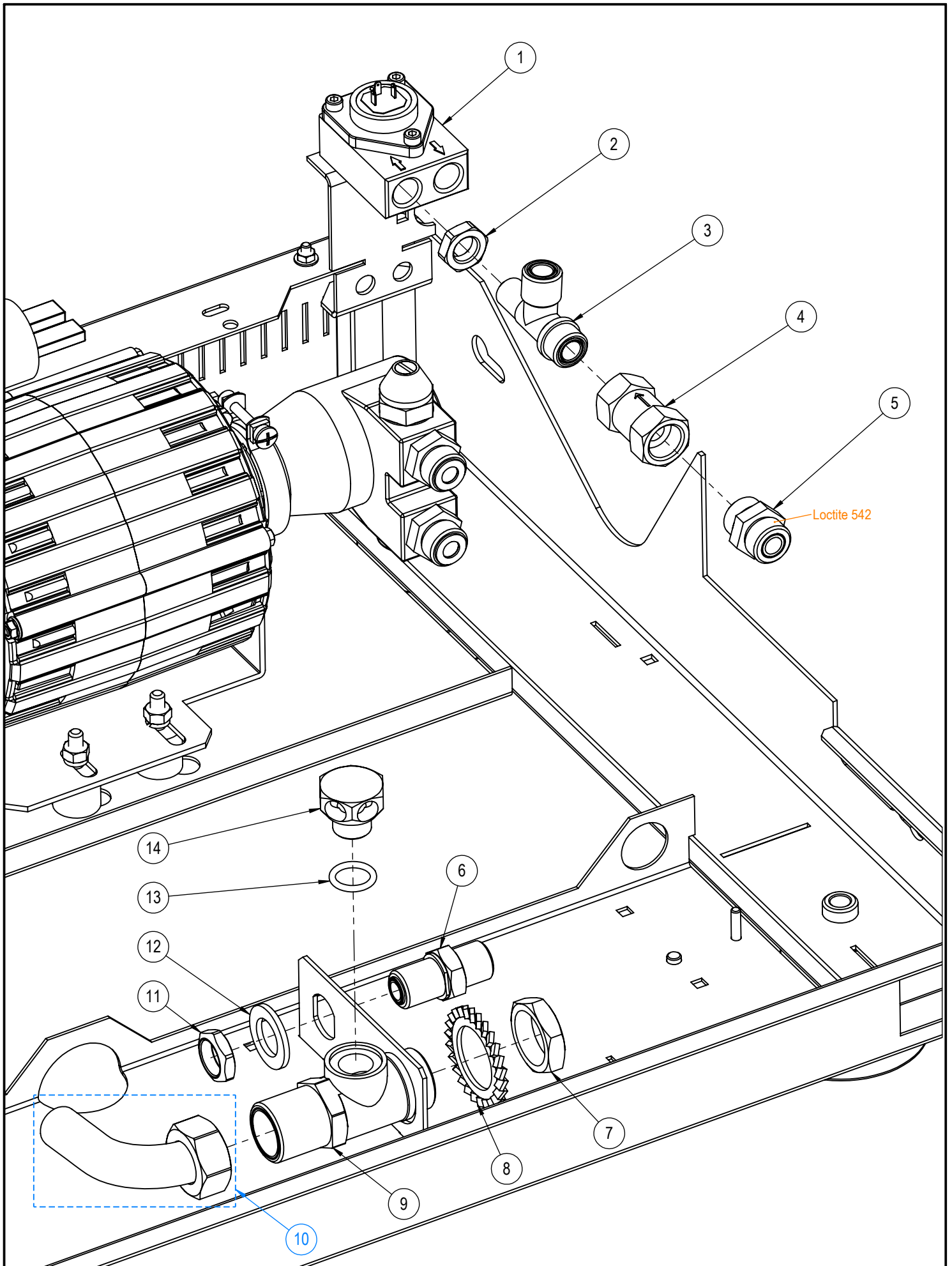


PLANCHE - PLATE 310

Pos.	Fact. code	Code	Description FR	Description GB	V	W&T	REF.	NOTES	S/N BREAK
1	DO191	0UN136	SOUPAPE H.P. COMPLETE	COMPLET H.P. VALVE					
2	20975	0UN389	RACCORD 1/8 M 1/8 F	FITTING 1/8M-1/8 F					
3	28104	0UN146	JOINT TORIQUE 2X9,5 FKM 80SH	GASKET 2X9,5					
4	20410	0UN925	RACCORD NOURRICE SIMPLE 3/8M-3/8M	FITTING 3/8M-3/8 M					
5	23751	0UN088	AXE DE BANJO 1/8	BANJO SCREW					
6	CN663	0UN058	CLAPET ANTI RETOUR COMPACT	VALVE - NON-RETURN					
7	20591		COUDE 1/4 -	ELBLOW 1/4					
8	CN544	0UN901	RONDELLE ACIER ZN 17 x 28 x 2	WASHER					
9	B53	0UN492	ECROU CHROME BLOCAGE BASSINE	OVERFLOW-TRAY LOCK NUT					
10	27845	0UN144	JOINT TORIQUE 2.62 X 17.13	O-RING 2.62 X 17.13					
11	NA18	0UN697	ECROU LAITON 3/8 6 mm	3/8 NUT					
12	CH16	0UN177	JOINT CUIVRE RECUIT 3/8	WASHER - COPPER - 3/8					
13	RB6009	0UN351	TUBE ENTREE D'EAU PONY 2	WATER INLET PIPE PONY 2					
14	B50B		COLLECTEUR DE VIDANGE	DRAIN COLLECTOR					
15	51857	0UN599	RONDELLE EVENTAILLE M27 ZINGUE	WASHER					
16	B40	0UN13A	CABLE NAPPE BOITIER	ELECTRICAL BOXES WIRE					
17	21470	0UN327	RACCORD DROIT 3/4M TETINE	FITTING 3/4					



08/24

ENTREE D'EAU & VIDANGE 2 & PLUS
 INLET WATER & DRAIN 2 & MORE

311

PLANCHE - PLATE 311

Pos.	Fact. code	Code	Description FR	Description GB	V	W&T	REF.	NOTES	S/N BREAK
1	CN648	0UN109	COMPTEUR VOLUMETRIQUE Ø1,5	WHOLE W.DOSING DEVICE					
2	51398	0UN442	CONTRE-ECROU 1/4	NUT					
3	CN898	0UN536	RACCORD TE 3/8-3/8-1/4	TEE 3/8-3/8-1/4					
4	CN663	0UN058	CLAPET ANTI RETOUR COMPACT	VALVE - NON-RETURN					
5	CN347A	0UN558	RACCORD D'ALIM. 3/8 - 3/8 MM	FITTING - 3/8 X 3/8 -					
6	20951	0UNA06	RACCORD 3/8M-3/8M	FITTING 3/8M-3/8M					
7	B40	0UNI3A	CABLE NAPPE BOITIER	ELECTRICAL BOXES WIRE					
8	51857	0UN599	RONDELLE EVENTAILLE M27 ZINGUE	WASHER					
9	B50B		COLLECTEUR DE VIDANGE	DRAIN COLLECTOR					
10	TC164	0UN328	COUDE 3/4 EN LAITON	DRAIN COLLECTOR ELBOW					
11	NA18	0UN697	ECROU LAITON 3/8 6 mm	3/8 NUT					
12	CN544	0UN901	RONDELLE ACIER ZN 17 x 28 x 2	WASHER					
13	27845	0UN144	JOINT TORIQUE 2.62 X 17.13	O-RING 2.62 X 17.13					
14	B53	0UN492	ECROU CHROME BLOCAGE BASSINE	OVERFLOW-TRAY LOCK NUT					

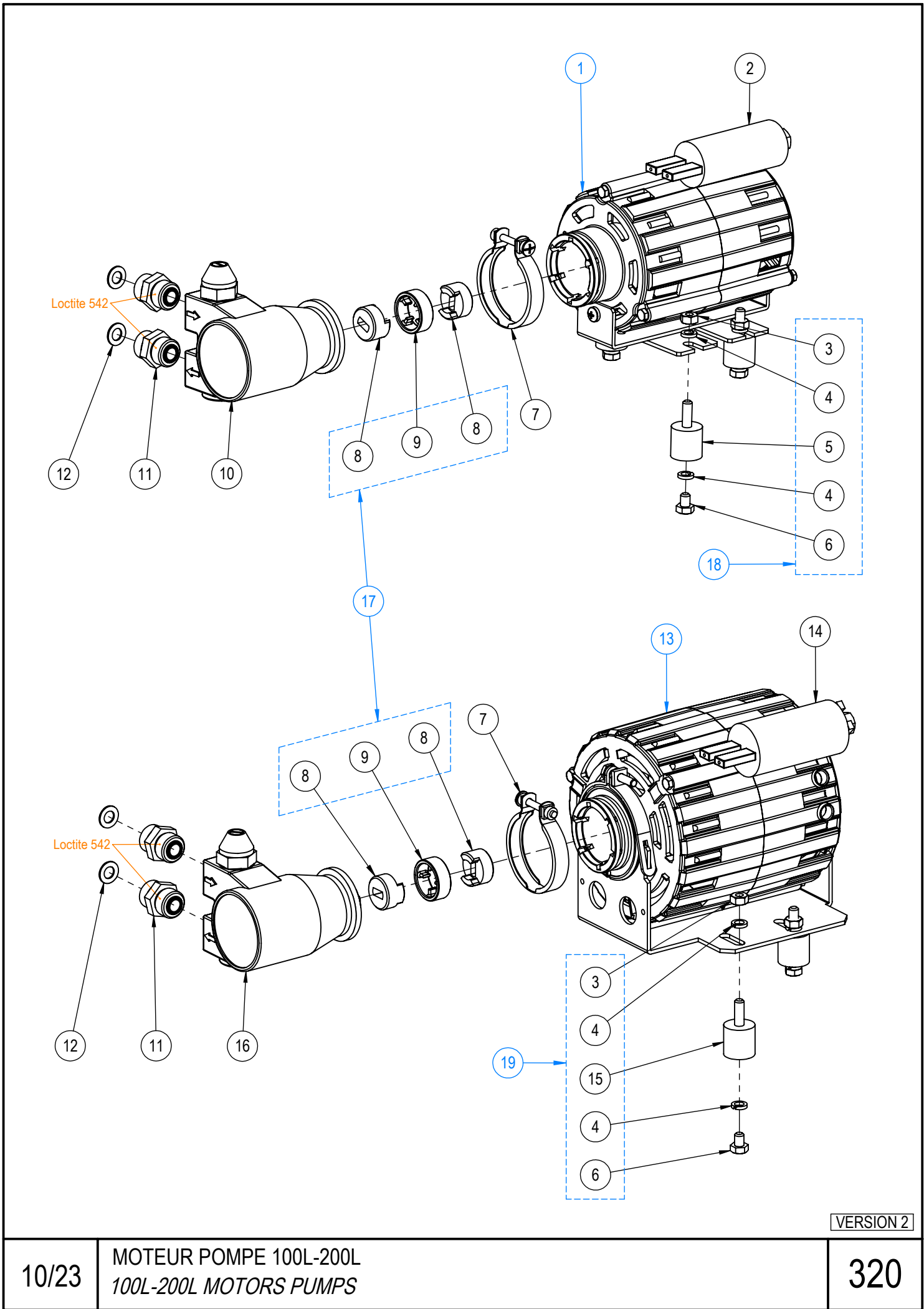


PLANCHE - PLATE 320

Pos.	Fact. code	Code	Description FR	Description GB	V	W&T	REF.	NOTES	S/N BREAK
1	37228	0UNI9I	MOTEUR POMPE 120W 220-230V 50-60Hz UL	PUMP MOTOR 120W 220-230V 50-60Hz UL			y1		
1	37242	0UNI7J	MOTEUR POMPE 120W 110V 60Hz - UL	PUMP MOTOR 120W 110V 60Hz - UL			t;b1;f;i;j;l;n1		
1	37243	0UNDBJ	MOTEUR POMPE 120W 220-230V 50-60Hz	PUMP MOTOR 120W 220-230V 50-60Hz			d;e;f;n;w;c1;q1;t1		
2	CN824	0UNI7M	CONDENSATEUR UL RPM POUR 37228	UL CAPACITOR				For 37228	
3	AE13A	0UNA42	ECROU INOX H _u 6-100	NUT M6					
4	51655	0UNA5W	RONDELLE GROWER DE 6	WASHER 6					
5	37265	0UNDBL	PLOT APB 20-20 45 SHORES	SILENTBLOC					
6	DO45	0UNDXI	VIS ACIER ZN TH 6 X 8	SCREW 6 X 8					
7	37219	0UNBY9	COLLIER POUR POMPE FLUIDOTECH	CLAMP					
8	37215	0UN524	JOINT D'ACCOUPEMENT	SLEEVE COUPLING					
9	37211	0UN542	AMORTISSEUR ACCOUPLEMENT	RUBBER COUPLING					
10	37206	0UN382	POMPE ROTATIVE 100L/H SANS PLOMB	UNLEADED PUMP 100L/H					
11	CN347A	0UN558	RACCORD D'ALIM. 3/8 - 3/8 MM	FITTING - 3/8 X 3/8 -					
11	CN347C	0UNJLB	RACCORD D'ALIM 3/8 3/8	FITTING 3/8 3/8					
12	CH16	0UN177	JOINT CUIVRE RECUIT 3/8	WASHER - COPPER - 3/8					
13	37229	0UNHU7	MOTEUR POMPE 165W 220-230V 50-60Hz UL	PUMP MOTOR 165W 220-230V 50-60Hz UL			a;u;v;g1;h1;o1		
13	37244	0UNDBK	MOTEUR POMPE 165W 220-230V 50-60Hz	PUMP MOTOR 165W 220-230V 50-60Hz			b;c;g;h;i;j;k;l;m;o;p;q;r;s; y;z;a1;d1;e1;k1;r1;s1;u1; v1;w1;z1;a2		
14	CN822	0UNI7K	CONDENSATEUR UL RPM POUR 37229	UL CAPACITOR				For 37229	
15	DO19	0UN687	PLOT APB 20-20	SILENTBLOC					
16	37207	0UN056	POMPE ROTATIVE 200L/H SANS PLOMB	UNLEADED PUMP 200L/H					
17	37200	0UNJDW	KIT ACCOUPLEMENT (37221+37215)	ACCOUPLING KIT					
18	37208	0UNJU4	KIT FIXATION MOTEUR 120W	120W FIXING MOTOR KIT					
19	37209	0UNJU5	KIT FIXATION MOTEUR 165W	165W FIXING MOTOR KIT					

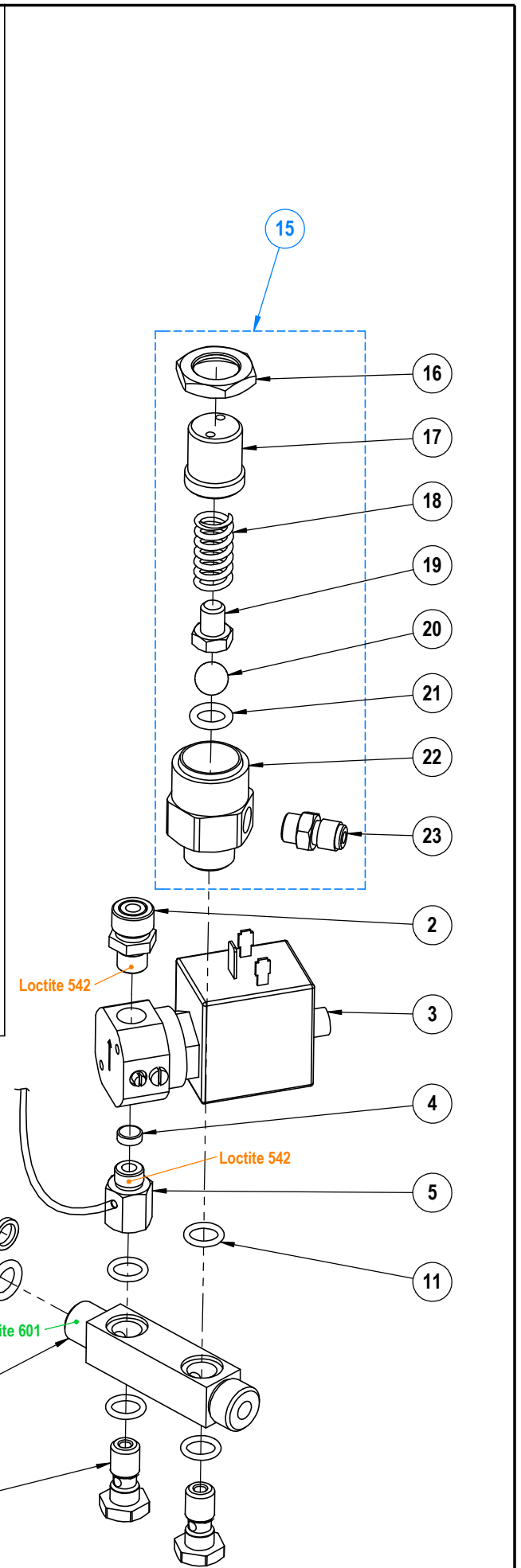
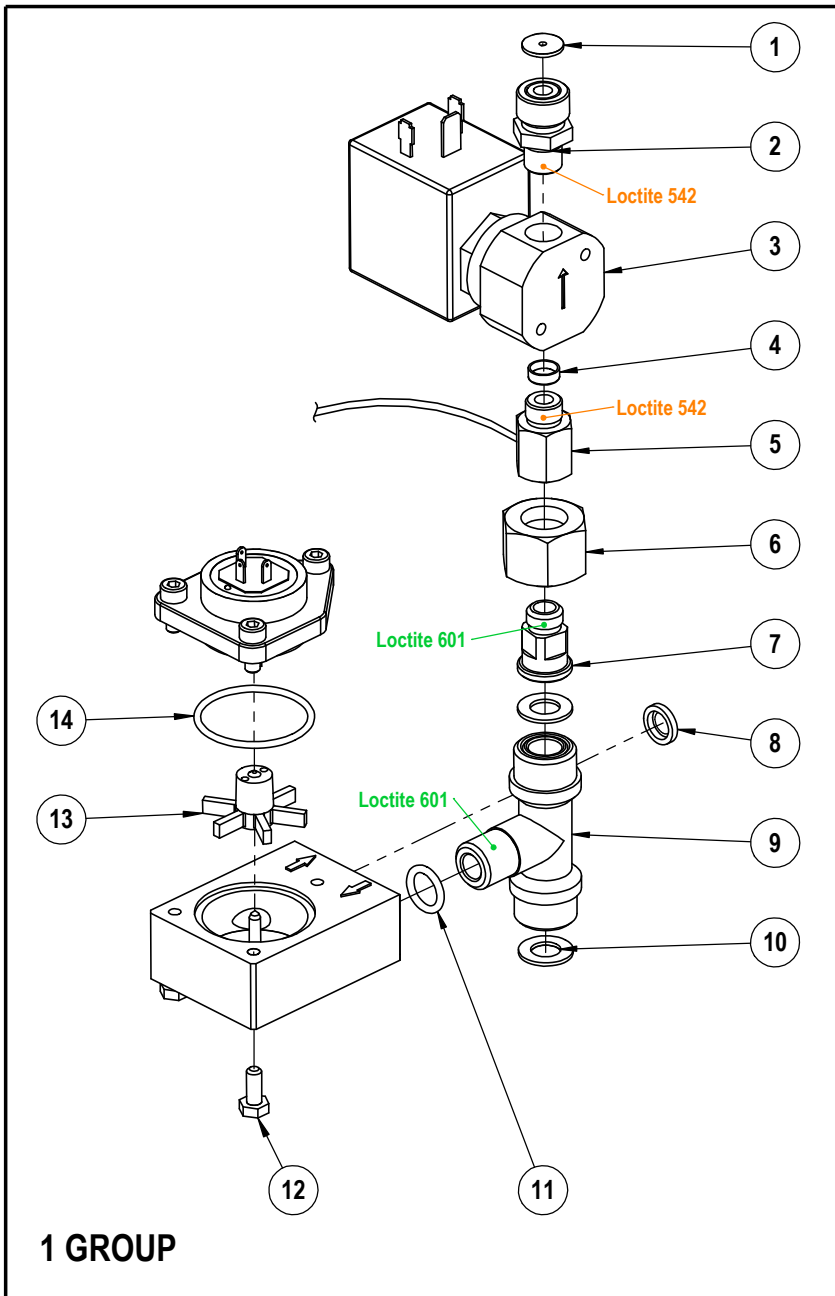
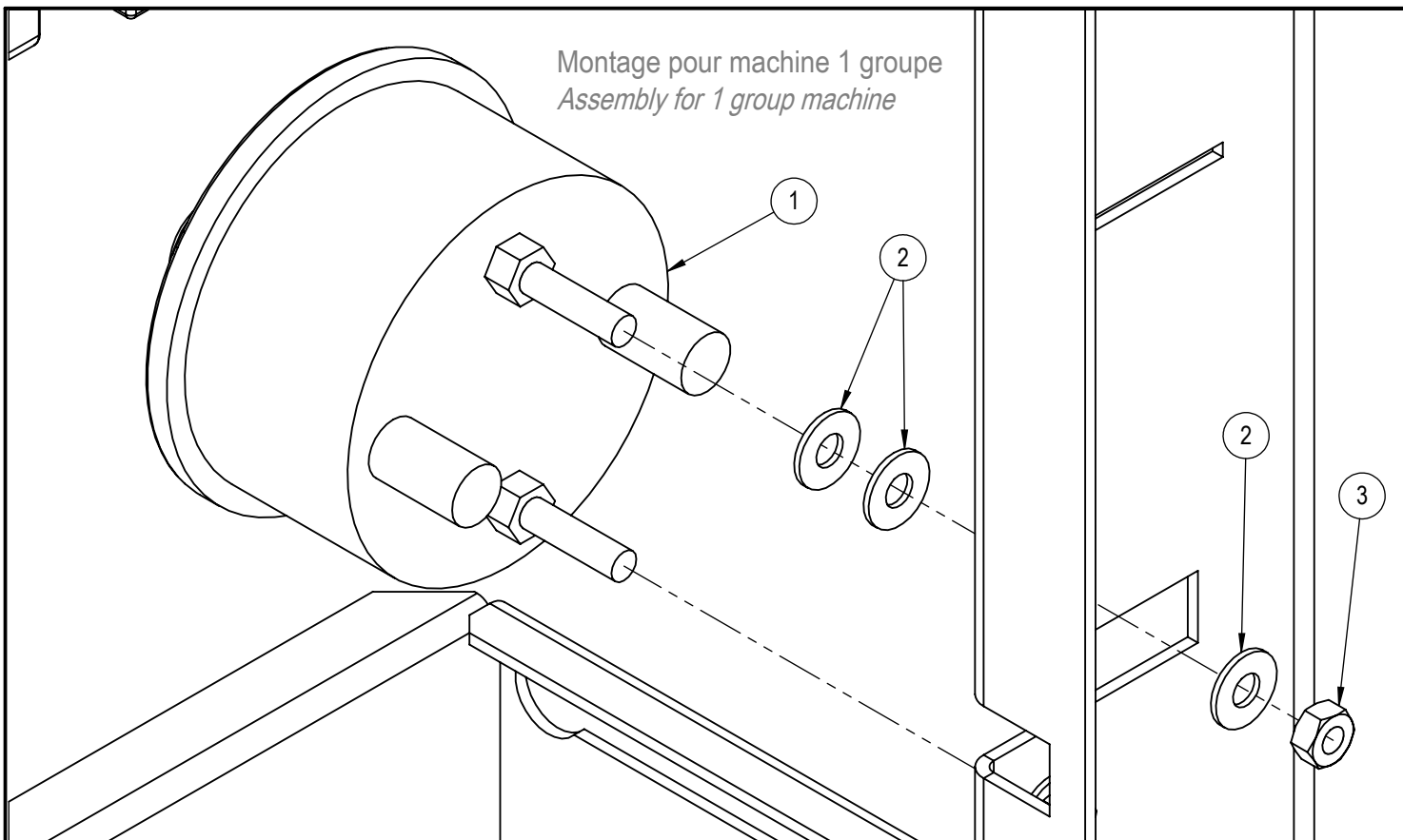


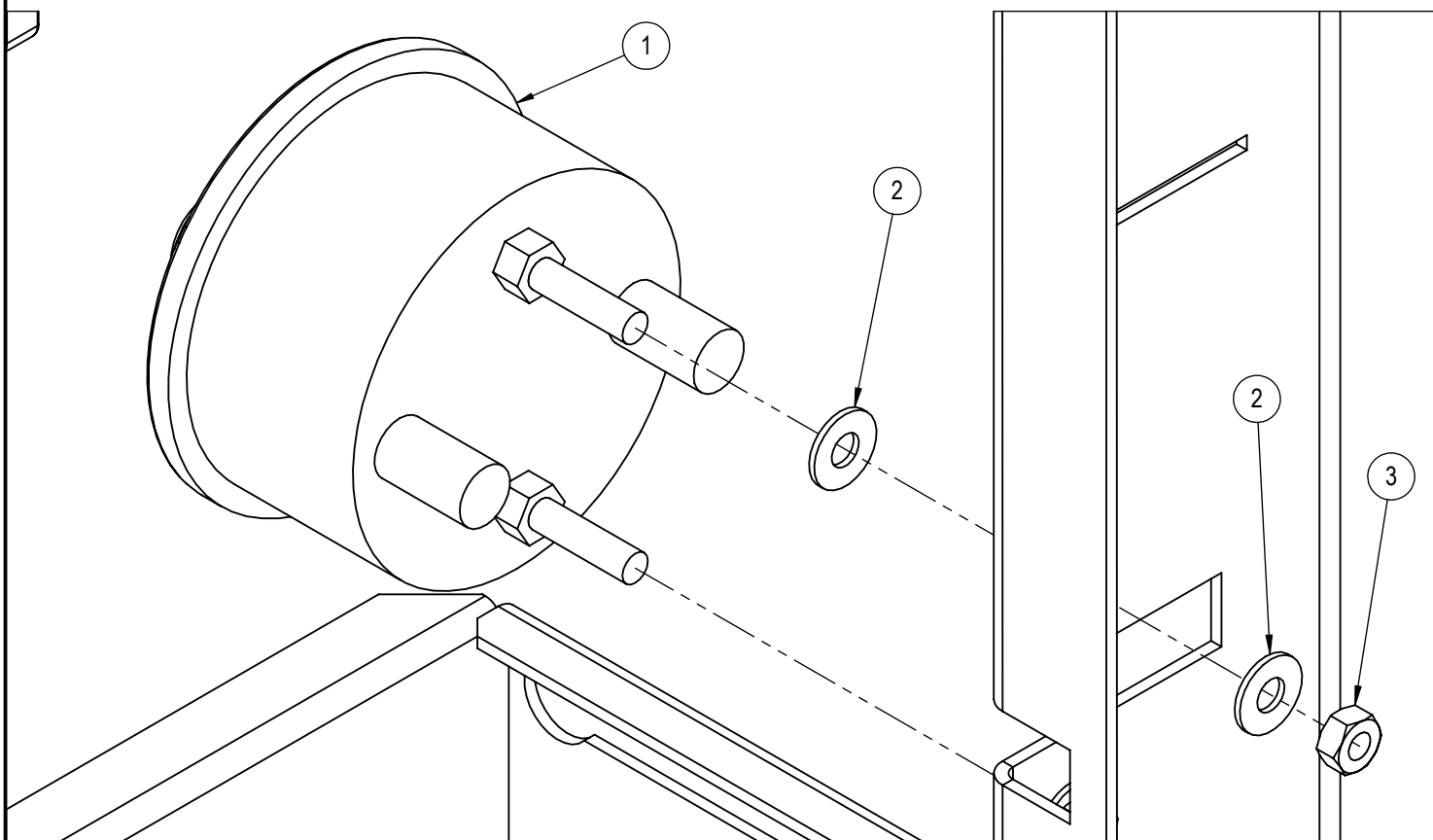
PLANCHE - PLATE 330

Pos.	Fact. code	Code	Description FR	Description GB	V	W&T	REF.	NOTES	S/N BREAK
1	DV203	0UN968	JOINT PLAT CUIVRE 1/4 D:2mm	WASHER 1/4 D:2					
2	M18	0UN935	RACCORD MM 1/4 - 1/8 G	FITTING - 1/8 x 1/4					
3	35516	0UNBZT	ELECTROV.2V REGLABLE 220V-230V / 50-60 - NSF4	EV 2W ADJ. 220V-230V / 50-60 - NSF4			a,b,c,d,e,f,g,h,i,j,k,l,m,n,o; p,q,r,s,u,v,w,x,y,z,a1,c1; d1,e1,g1,h1,j1,k1,m1,o1; p1,q1,r1,s1;t1,u1,v1,w1; x1,y1,z1,a2		
3	CN631C	0UNBLP	EV 2V REGL. 110V-60Hz	ELECTROVALVE 2W ADJ. 110V-60Hz			t,b1,f1;i1;l1;n1		
4	25400	0UN124	FILTRE INOX	FILTER					
5	DV6014	0UNA1Z	TUBE CUIVRE MANOMETRE HP	PIPE HP MANOMETER					
6	PB21	0UN488	ECROU 3/8 LAITON	FITTING 3/8					
7	DO74	0UN416	RACCORD SOUPE HP	H.P VALVE CONNECTION					
8	DV172	0UN500	JOINT PLAT 11,4 X 7,5 X 1,9	GASKET					
9	CN539	0UN359	TE 3/8 3/8 1/4	TEE 3/8 3/8 1/4					
10	CH16	0UN177	JOINT CUIVRE RECUIT 3/8	WASHER - COPPER - 3/8					
11	28104	0UN146	JOINT TORIQUE 2X9,5 FKM 80SH	GASKET 2X9,5					
12	DV44	0UN188	VIS TH M4X10 ACIER	SCREW M4x10					
13	CN829	0UN086	TURBINE DE COMPTEUR VOLUMETR.	TURBINE					
14	CN828	0UN006	JOINT TORIQ DESSUS DOSEUR EAU	GASKET - DOSING DEVICE					
15	DO191	0UN136	SOUPE H.P. COMPLETE	COMPLET H.P. VALVE					
16	DO190	0UN860	CONTRE ECROU M18 X 100	NUT M18 X 100					
17	DO189	0UN557	ECROU DE SOUPE	VALVE NUT					
18	RO14	0UN446	RESSORT F20/10L26.5 D13 P5	SPRING					
19	DO188	0UN768	TIGE DE SOUPE	VALVE PISTON					
20	PC14	0UN510	BILLE INOX POLIE DE 11	STAINLESS STEEL BALL DIA 11					
21	PH83	0UN302	JOINT TORIQUE 2,62X9,19 PTFE	O RING 9,19 X 2,62 PTFE					
22	DO187	0UN767	CORPS DE SOUPE	VALVE BODY					
23	M136	0UN422	RACCORD 1/8M 1/8M	CONNECTION 1/8					
24	CN648	0UN109	COMPTEUR VOLUMETRIQUE Ø1,5	WHOLE W.DOSING DEVICE					
25	PH78	0UN202	JOINT TORIQUE 2,62X9,13 EPDM	O RING - 9,13 X 2,62					
26	20403	0UN478	RACCORD NOURRICE 3/8M-1/4M	FITTING 3/8M-1/4M					
27	23751	0UN088	AXE DE BANJO 1/8	BANJO SCREW					

Montage pour machine 1 groupe
Assembly for 1 group machine



Montage pour machine 2 & 3 groupe
Assembly for 2 & 3 groups machine



08/24

MANOMÈTRE
MANOMETER

335

PLANCHE - PLATE 335

Pos.	Fact. code	Code	Description FR	Description GB	V	W&T	REF.	NOTES	S/N BREAK
1	ID82E	0UN101	MANOMETRE DOUBLE 3,5 x 20 B.	MANOMETER					
2	CF194	0UN658	RONDELLE LAITON DE 5 MOYENNE	WASHER					
3	51100	0UNA5V	ECROU M5 INOX	NUT M5					

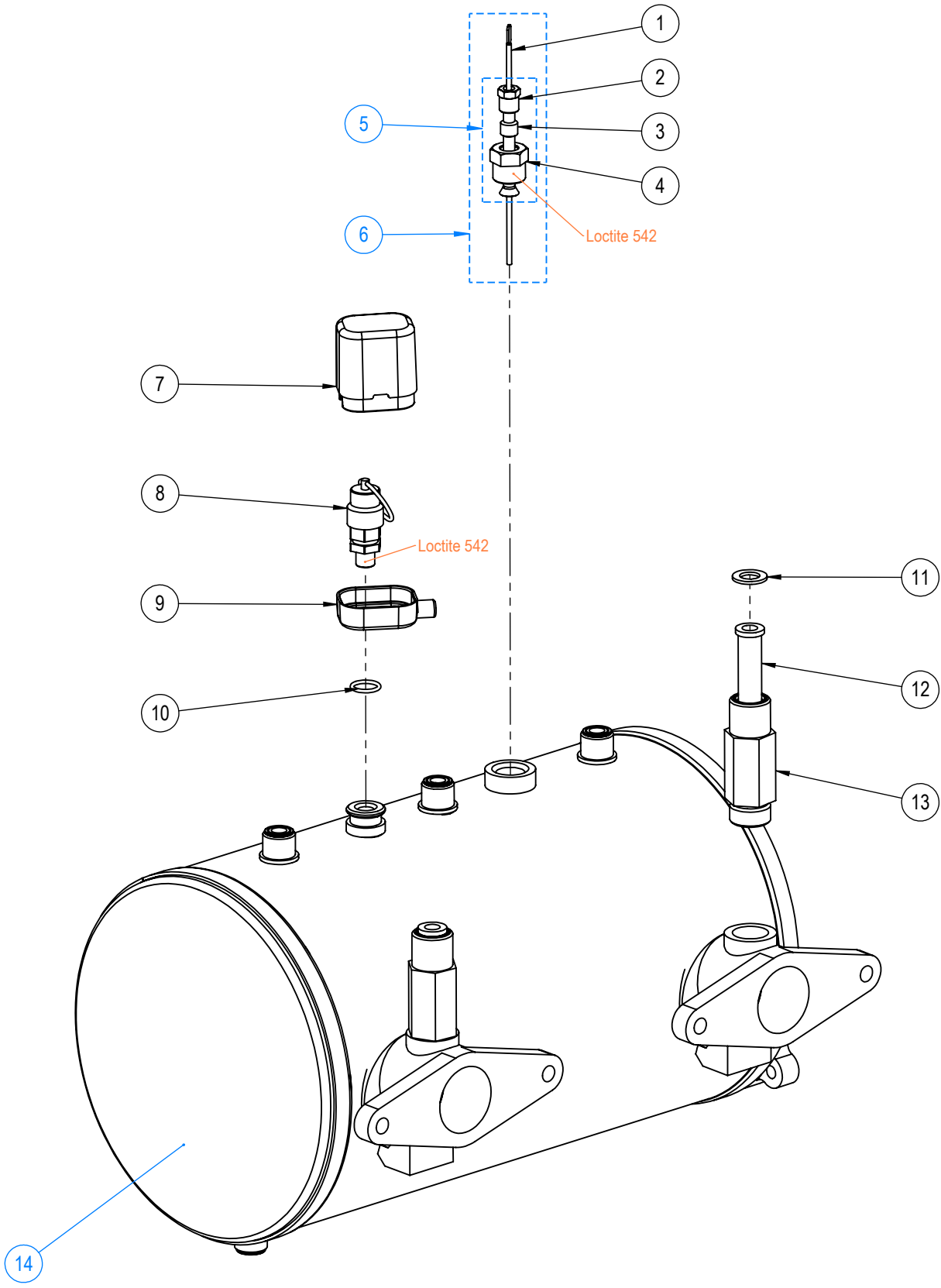
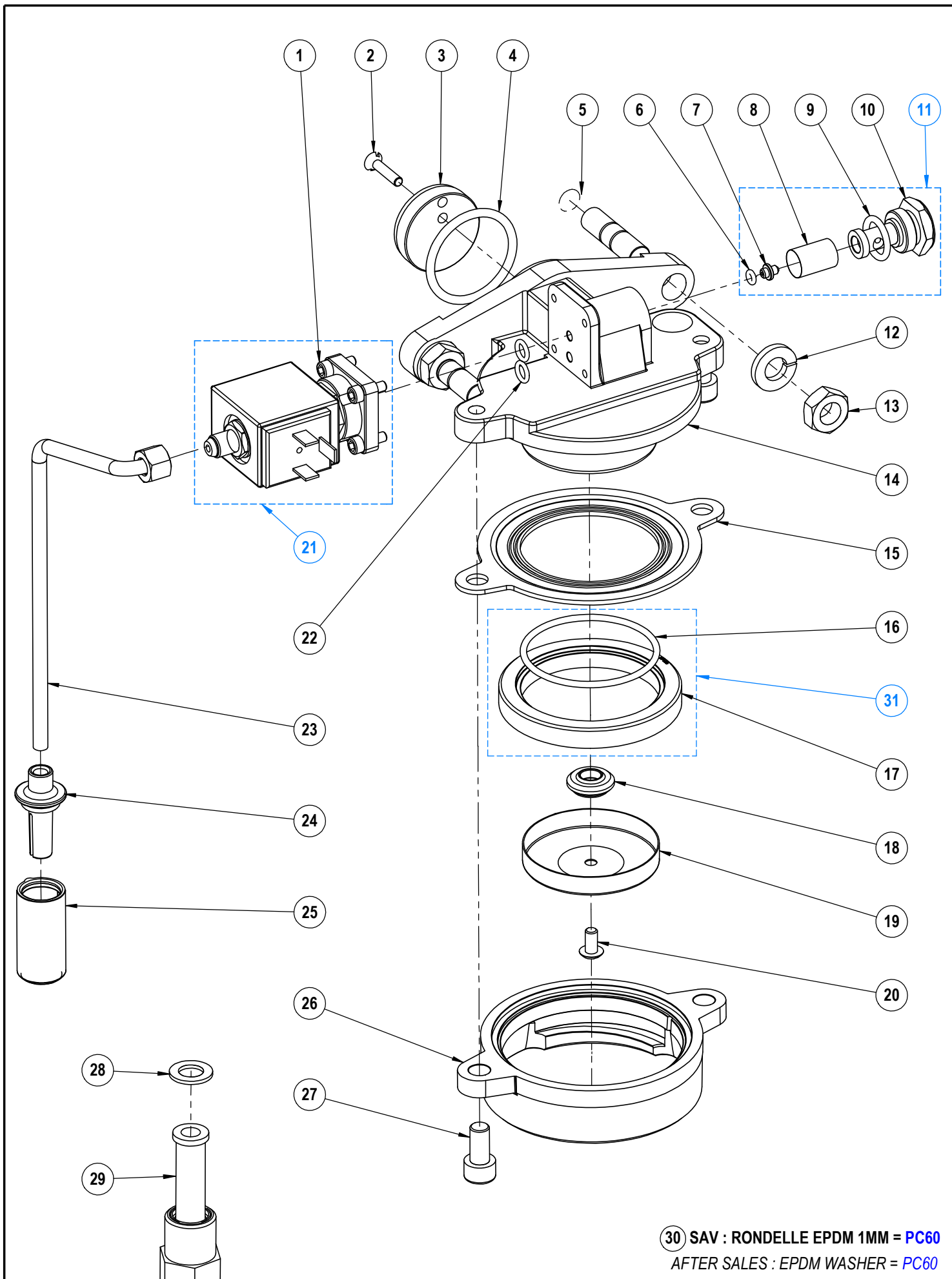


PLANCHE - PLATE 340

Pos.	Fact. code	Code	Description FR	Description GB	V	W&T	REF.	NOTES	S/N BREAK
1	CN670	0UN185	SONDE NIVEAU BAS INOX L=130	LEVEL PROBE L=130					
2	NA70	0UN197	BLOCAGE ELECTRODE NIVEAU AUTO	LEVEL PROBE COMPRESSION NUT					
3	NA71	0UN198	PORTE-ELECTRODE EN TEFLON	LEVEL PROBE INSULATION					
4	NA69A	0UNA08	PORTE SONDE EN LAITON	PROBE HOLDER CONNECTION					
5	26502	0UN966	ENSEMBLE NIVEAU SONDE 3/8	LEVEL PROBE 3/8 SET					
6	26510	0UN570	SONDE DE NIVEAU L=130	LEVEL PROBE					
7	TG7023	0UNBY6	COUVERCLE PROTECTION SOUPE	COVER VALVE PROTECTION					
8	27200	0UN155	SOUPE VAPEUR BP 3,5 BARS	LP VALVE 3.5 BARS					
9	TG7022	0UNHRF	PROTECTION SOUPE	VALVE PROTECTION					
10	PA96	0UNBFV	JOINT TORIQUE 1,78X12,42 EPDM	GASKET 1.78 X 12.42					
11	CH17	0UN972	JOINT CUIVRE RECUIT 1/2	WASHER - COPPER - 1/2					
12	DV4001	0UN460	TUBE TEFLON ALIM. GROUPE L:60	UNIT FEEDING TUBE			a;b;c;d;e;f;g;h;i;j;k;l;m;n;rs;t; u;v;w;x;y;z;a1;d1;f1;g1; h1;i1;j1;l1;m1;n1;o1;p1;q1; r1;s1;u1;v1;w1;x1;y1		
12	DV88	0UN495	BOUCHON	PLUG			a;n;o;p;q;b1;c1;e1;k1;t1; z1,a2		
12	DV89	0UNE3Q	TUBE ALIM. POUR PHOENIX-R	MIXING TUBE-TEFLON-GROUP			a;n;o;p;q;b1;c1;e1;k1;t1; z1,a2		
13	ID23	0UNFC5	RACCORD ALIM.1/2M-M	FITTING 1/2-1/2			b;c;d;e;f;g;h;i;j;k;l;m;n;o;p; q;r;s;w;a1;b1;c1;d1;e1; k1;q1;r1;u1;v1;w1;z1;a1		
13	ID23A		RACCORD ALIM.1/2M-M SS PLOMB	FITTING 1/2-1/3 ECO BRASS			a;t;u;v;x;y;z;f1;g1;h1;i1;j1; l1;m1;n1;o1;p1;s1;t1;x1; y1		
14	29081	0UNC5G	CHAUDIERE INJECTION 1 GROUPE	1 UNIT BOILER			d;e;f;n;t;w;x;b1;c1;f1;i1; l1;n1;q1;t1;y1		
14	29032	0UNC49	CHAUDIERE INJECTION 2 GROUPE	2 UNIT BOILER			a;b;g;h;i;k;l;o;p;u;y;a1; d1;g1;j1;k1;m1;o1;r1;s1; u1;w1;x1;z1		
14	29033	0UNC5A	CHAUDIERE INJECTION 3 GROUPE	3 UNIT BOILER			c;j;m;q;s;v;z;e1;h1;p1;v1; a2		



30 SAV : RONDELLE EPDM 1MM = PC60
 AFTER SALES : EPDM WASHER = PC60

08/24

GROUPE INJECTION 230V
 230V COFFEE GROUP

346

PLANCHE - PLATE 346

Pos.	Fact. code	Code	Description FR	Description GB	V	W&T	REF.	NOTES	S/N BREAK
1	M180	0UN944	VIS TCHC M4x12 INOX	SCREW M4 X 12					
2	CN124	0UNA1R	VIS INOX TF 4 x 20	SCREW M4 X 20			b;c;n;o;p;q;t;u;v;e1;f1;g1; h1;i1;j1;k1;l1;m1;n1;o1; p1;x1;y1;z1;a2		
2	ID38	0UNFC7	VIS INOX TF 4 x 30	SCREW M4 X 30			a;d;e;f;g;h;i;j;k;l;m;r;s;w;x; y;z;a1;b1;c1;q1;r1;s1;u1; v1;w1		
3	31950	0UNC7F	ISOLANT TEFLON BLANC ep:10mm	INSULATOR			b;c;n;o;p;q;t;u;v;e1;f1;g1; h1;i1;j1;k1;l1;m1;n1;o1; p1;x1;y1;z1;a2		
3	ID3	0UNFC6	ISOLANT TEFLON BLANC ep:21mm	INSULATOR			a;d;e;f;g;h;i;j;k;l;m;r;s;w;x; y;z;a1;b1;c1;q1;r1;s1;u1; v1;w1		
4	PE28	0UN102	JOINT TORIQUE 3,53X36,09 FKM	GASKET - 36.09 x 3.53					
5	CH63		GOUJON ACIER NICKELE M10	SCREW M10 -STUD					
6	TC80	0UN211	JOINT TORIQUE 1,78X2,90 FKM	GASKET 1.78X2.90 FKM					
7	23117	0UN134	GICLEUR DIAM:0,7	JET DIAM. 0.7					
8	CF326	0UNBPS	FILTRE INOX D.int=12 H=17,5	FILTER D:12 H:17,5					
9	PH54	0UN133	JOINT TORIQUE 2,62X13,95 EPDM	O RING - 13.95 x 2.62					
10	23100	0UNC1H	PORTE GICLEUR	NOZZLE HOLDER					
11	23127	0UN131	KIT PORTE GICLEUR Ø0.7	NOZZLE Ø 0.7 KIT					
12	PC45	0UNG7W	RONDELLE GROVER DE 10	WASHER					
13	CH64	0UNJDQ	ECROU ACIER ZN Hu 10	NUT M10					
14	ID18	0UNBM7	CORPS DE GROUPE INJECTION	GROUP BODY - INJECTION			a;b;c;d;e;f;g;h;i;j;k;l;m;n;o; p;q;r;s;w;x;a1;e1;k1;q1; r1;u1;v1;w1;z1;a2		
14	ID18B	0UNFC1	CORPS DE GROUPE INJECTION SS PLOMB	GROUP BODY - INJECTION ECO BRASS			y;z;b1;c1;d1;s1;t1		
14	ID18C	0UNBM8	CORPS DE GROUPE INJECTION CREMA	CREMA GROUP BODY - INJECTION			t;u;v;f1;g1;h1;i1;j1;l1;m1; o1;p1;x1;y1		
15	DO196	0UNDXF	RONDELLE ENTRETOISE 2MM	WASHER SPACER 2 MM			t;u;v;f1;g1;h1;i1;j1;l1;m1; o1;p1;x1;y1		
16	27800HI	0UNJTV	JOINT TORIQUE 2.62 X 52.07 NBR	GASKET 2.62 X 52.07					
17	PC17	0UN128	JOINT DE COUPE 57 x 75 x 9	HEAD GASKET 9mm					
18	31910	0UNBJB	RONDELLE DIFFUSEUR GROUPE	WASHER DIFFUSER					
19	ID103	0UN104	FILTRE TASSOIR	PACKER FILTER					
20	50200	0UNBVT	VIS TETE POELIER M5 X 10 INOX	M5 X 10 SCREW			a;b;c;d;e;f;g;h;i;j;k;l;m;n;o; p;q;r;s;w;x;y;z;a1;b1;c1;d1; e1;k1;q1;r1;s1;t1;u1;v1; w1;z1;a2		
20	50204	0UN982	VIS TH M5 x 10 INOX	SCREW M5 X 10			t;u;v;f1;g1;h1;i1;j1;l1;m1; o1;p1;x1;y1		
21	35047	0UNJA4	EV 3VOIES 110V60Hz UL	EV 3 WAYS 110V60Hz UL			t;b1;f1;j1;l1;n1		
21	35048	0UNJA5	EV 3VOIES 220/240V-50Hz /240V 60Hz	EV 3 WAYS 220/240V-50Hz /240V 60Hz			a;b;c;d;e;f;g;h;i;j;k;l;m;n;o; p;q;r;s;u;v;w;x;y;z;a1;c1; d1;e1;g1;h1;j1;k1;m1;o1; p1;q1;r1;s1;t1;u1;v1;w1; x1;y1;z1;a2		
22	27717	0UNBFW	JOINT TORIQUE 1,78 X 6,07	GASKET 1.78 X 6.07					
23	DV6039	0UNBLU	TUBE DE DECOMPRESSION	PIPE GROUP DISCHARGE					
24	DV7040	0UNBLV	EMBOUT DE DECOMPRESSION	DECOMPRESSION TIP					
25	DV7041	0UNBLW	CORPS EMBOUT DE DECOMPRESSION	DECOMPRESSION TIP HOUSING					
26	PE6	0UNBNX	PORTE COUPE LAITON CHROME	BOWL-HOLDER					
27	C48	0UN963	VIS TCHC M8X16 INOX	SCREW M8 X 16					
28	CH17	0UN972	JOINT CUIVRE RECUIT 1/2	WASHER - COPPER - 1/2					
29	DV4001	0UN460	TUBE TEFLON ALIM. GROUPE L:60	UNIT FEEDING TUBE			a;b;c;d;e;f;g;h;i;j;k;l;m;r;s;t; u;v;w;x;y;z;a1;d1;f1;g1; h1;i1;j1;l1;m1;n1;o1;p1; q1;r1;s1;u1;v1;w1;x1;y1		
29	DV88	0UN495	BOUCHON	PLUG			a;n;o;p;q;b1;c1;e1;k1;t1; z1;a2		
29	DV89	0UNE3Q	TUBE ALIM. POUR PHOENIX-R	MIXING TUBE-TEFLON-GROUP			a;n;o;p;q;b1;c1;e1;k1;t1; z1;a2		
30	PC60	0UNG82	RONDELLE EPDM 1mm	EPDM WASHER 1mm					
31	CL1004	0UNJJQ	Kit cup gasket MAESTRO	Kit cup gasket MAESTRO					

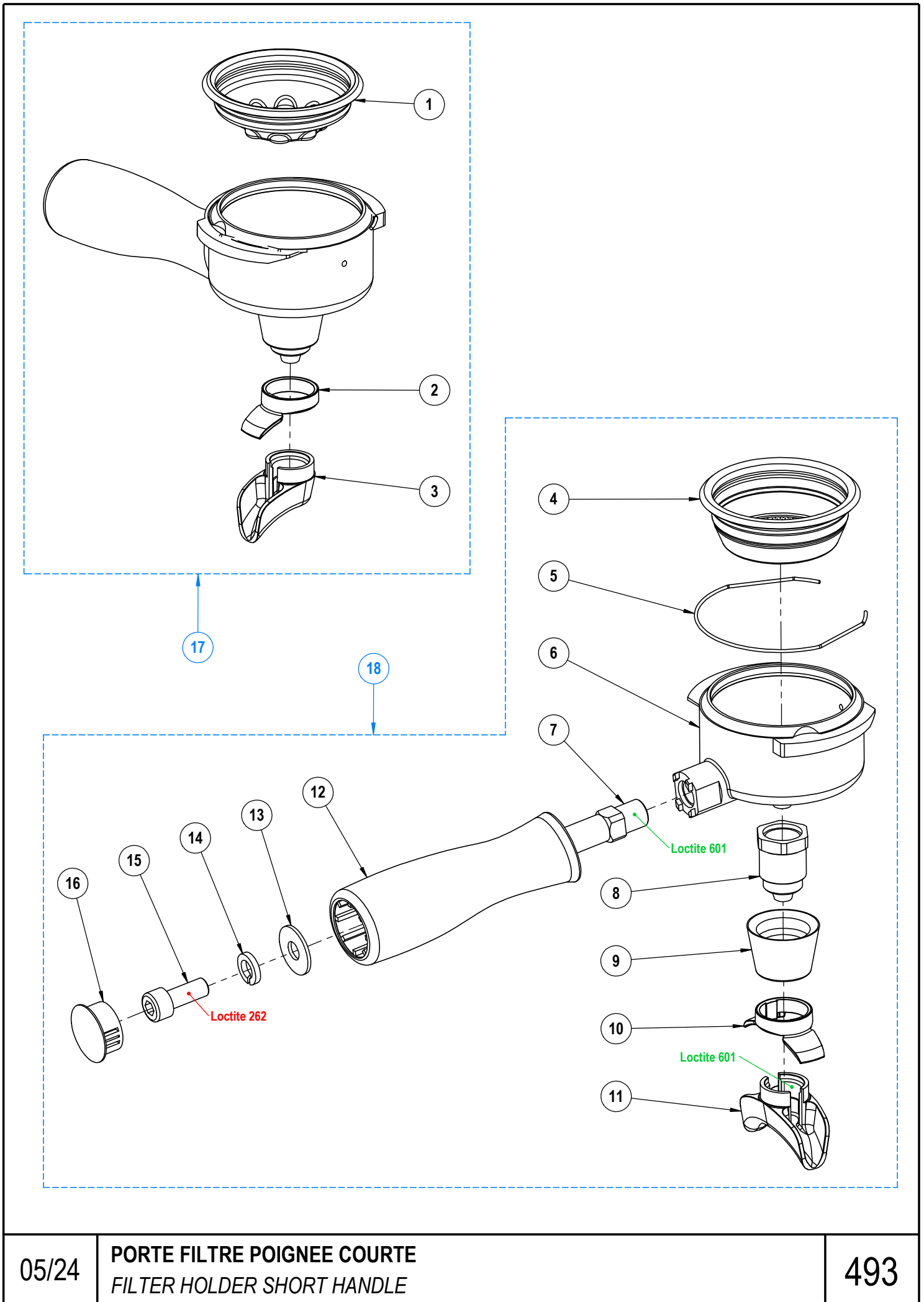


PLANCHE - PLATE 493

Pos.	Fact. code	Code	Description FR	Description GB	V	W&T	REF.	NOTES	S/N BREAK
1	33420	0UNBPT	FILTRE 1 TASSE	1 CUP FILTER					
2	33384	0UN514	OBTURATEUR BEC 1T	1 CUP OBTURATOR					
3	33381	0UN965	BEC 1 T CHROME	1 CUP SPOUT					
4	33422	0UNBVD	FILTRE 2 TASSES	2 CUPS FILTER					
5	PA85A	0UNBNW	RESSORT DE COUPE DIAM:1.3	FILTER SPRING DIAM:1.3					
6	33102	0UNC7R	COUPE NUE	FILTER HOLDER BODY					
7	33104	0UNC7T	CARRE POIGNEE COUPE	STEEL SQUARE FOR HANDLE					
8	DV4010	0UNBLT	PROLONGATEUR SORTIE BEC	SPOUT SPACER					
9	DV7050	0UNBLX	CACHE SORTIE BEC	SPOUT HIDER					
10	33385	0UNBJT	OBTURATEUR BEC 2T	2 CUPS OBTURATOR					
11	33382	0UNBJS	BEC 2T CHROME	2 CUPS SPOUT					
12	33105	0UNC7U	POIGNEE DE COUPE	HANDLE					
13	CF199	0UN263	RONDELLE ACIER ZN 8x22x1,5	STEEL WASHER 8x22x1,5					
14	RR83	0UN592	RONDELLE GROVER DE 8	WASHER 8					
15	CN51	0UNDTF	VIS INOX TCHC 8 x 20	SCREW M8 X 20					
16	33106	0UNBJK	BOUCHON POIGNEE DE COUPE	TAP FOR HANDLE					
17	33131	871002	COUPE COMPLETE 1T	1 CUP FILT. HOLDER					
18	33132	871003	COUPE COMPLETE 2T	2 CUP FILT. HOLDER					

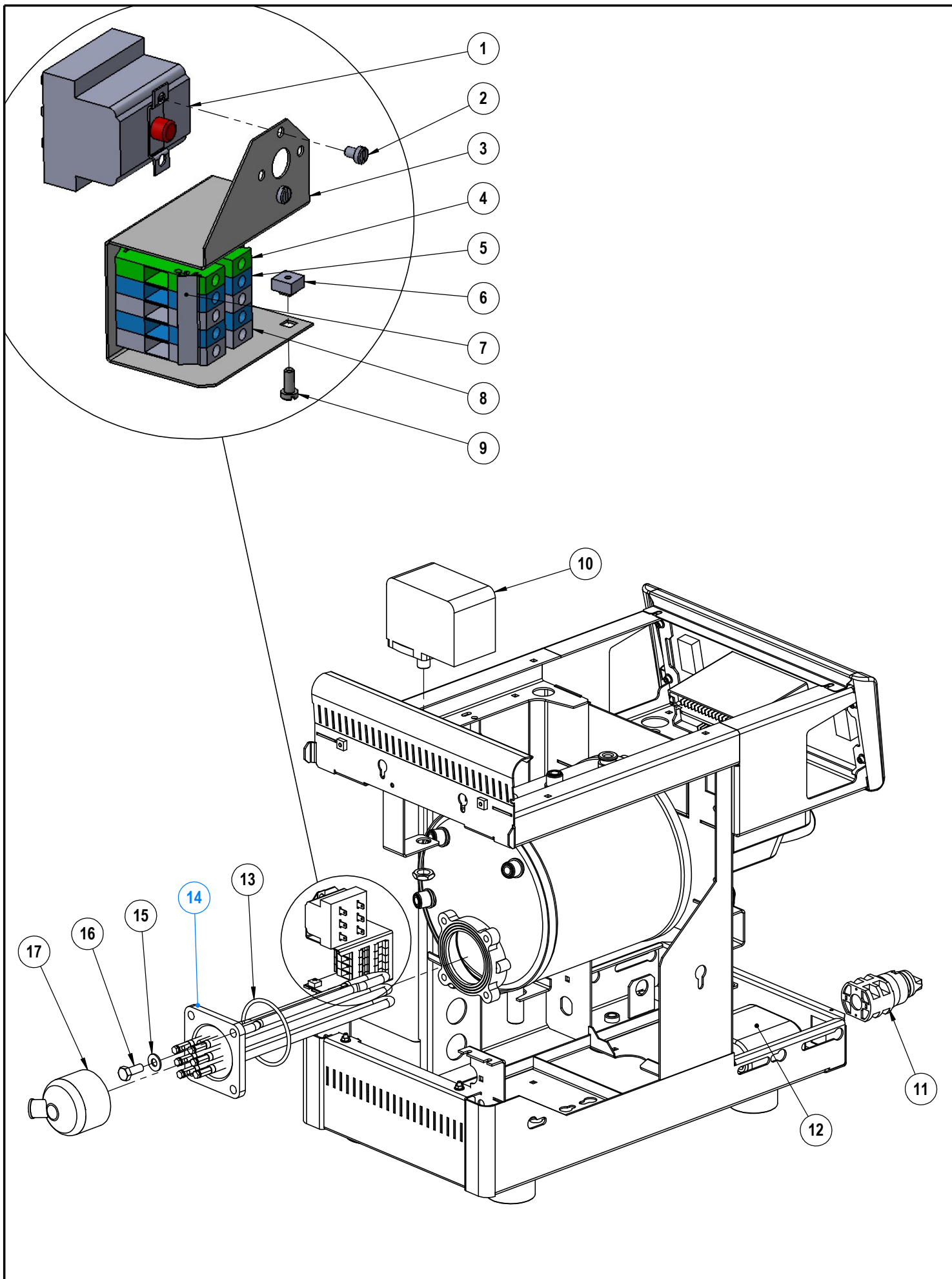


PLANCHE - PLATE 501

Pos.	Fact. code	Code	Description FR	Description GB	V	W&T	REF.	NOTES	S/N BREAK
1	34202	0UN077	THERMOSTAT SECURITE 160C TRI UL	THERMOSTAT 160C UL					
2	CN325	0UN284	VIS INOX TC 4 x 6	SCREW M4 X 6					
3	DV2055		TOLE SUPPORT BORNIER	SHEET METAL TERMINAL BOARD					
4	AE52	0UN763	BORNIER TERRE VERT-JAUNE	TERMINAL BLOCK - GREEN/YELLOW					
5	AE51	0UN762	BORNIER GM BLEU	TERMINAL BLOCK BLUE					
6	52514	0UN037	ECROU RAPIDE M4 EP:2	NUT M4					
7	45949	0UN984	ETIQUETTE BORNIER	TERMINAL STICKER					
8	AE50	0UN833	BORNIER GM GRIS	TERMINAL BLOCK GREY					
9	RO13	0UNA3U	VIS INOX TC 4 x 10	SCREW M4 X 10 -					
10	AE53A	0UN406	PRESSOSTAT HOMOLOGUE UL	PRESSURESTAT UL - SIRAI			a;t;u;v;f1;g1;h1;i1;j1;l1;m1; n1;o1;p1;x1;y1		
10	33700	0UN079	PRESSOSTAT A CONTACT SEC	PRESSURESTAT			b;c;d;e;f;g;h;i;j;k;l;m;n;o;p; q;r;s;w;x;y;z;a1;b1;c1;d1; e1;k1;q1;r1;s1;t1;u1;v1; w1;z1;a2		
11	43430	0UNBZN	COMMUTATEUR A CAME UL/CSA	SWITCH UL/CSA					
12	ID68A		CACHE DE COMMUTATEUR	TERMINAL COVER					
13	CV20	0UN090	JOINT TORIQUE 3,53X66,68 FKM	GASKET - 66.68 x 3.53					
14	29810	0UN398	ELEMENT CHAUFFANT 110V-1500W	HEATING ELEMENT 110V-1500W			t;b1;f1;i1;j1;l1;n1		
14	29811	0UN457	ELEMENT CHAUFFANT 230V 2730W	HEATING ELEMENT 230V 2730W			d;e;f;g;h;k;n;o;w;x;c1;d1; k1;q1;r1;t1;w1;y1;z1		
15	C16	0UNA5S	RONDELLE ACIER NICKLE M8	WASHER 8					
16	CV3	0UN964	VIS TH M8 x 20 INOX	S.STEEL SCREW M8 x 20					
17	29815	0UN331	CACHE RESISTANCE	INSULATOR BOOT					

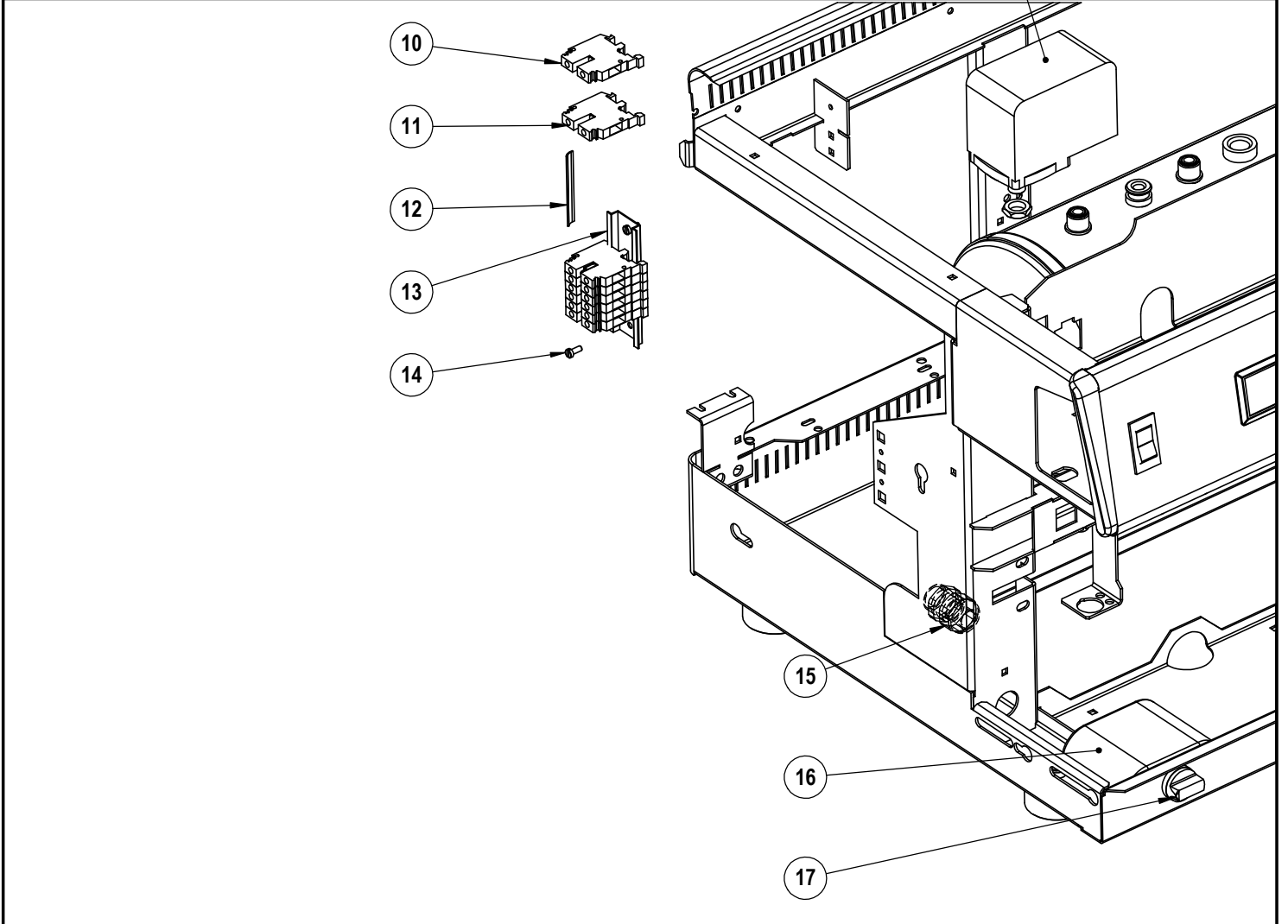
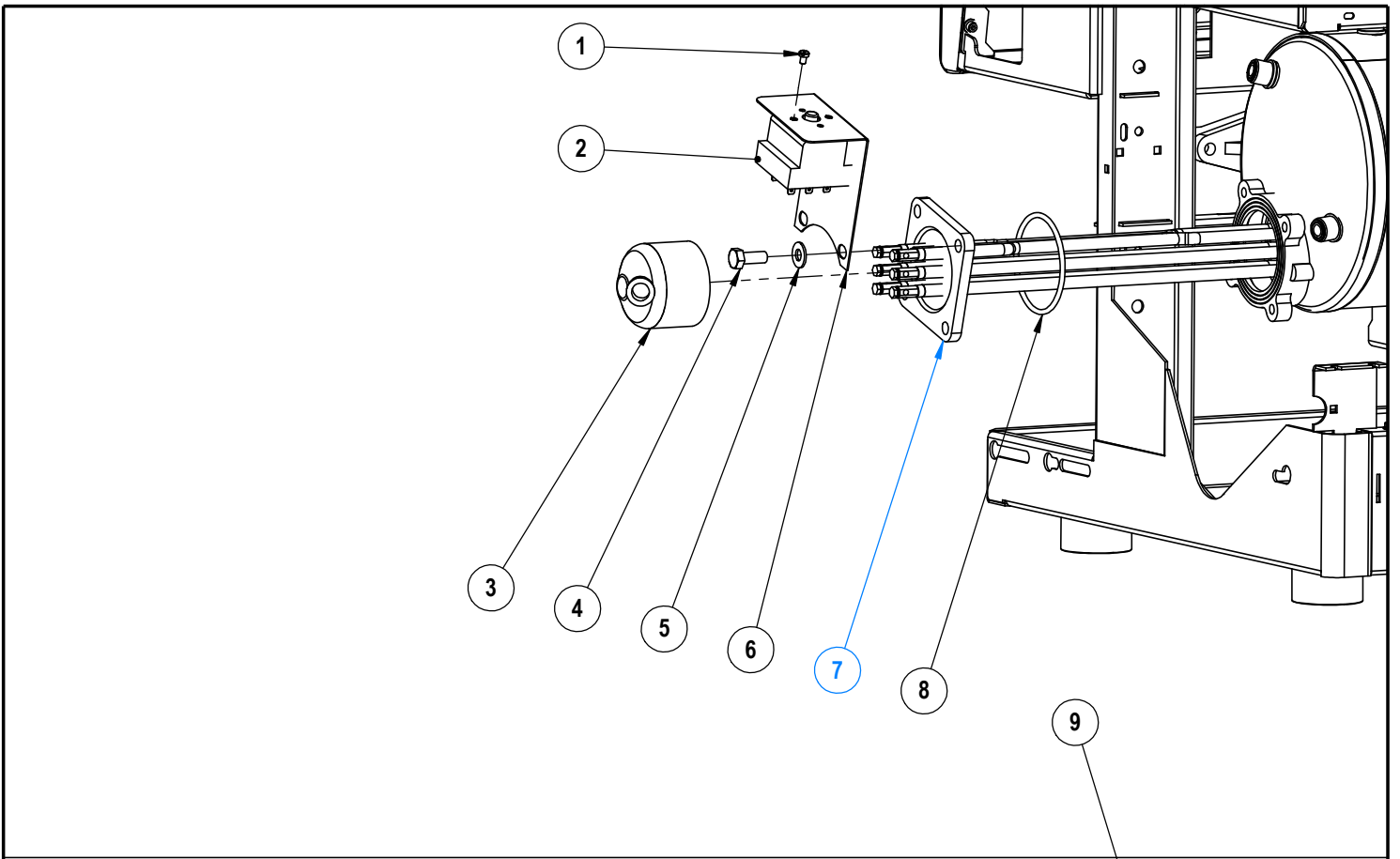


PLANCHE - PLATE 502

Pos.	Fact. code	Code	Description FR	Description GB	V	W&T	REF.	NOTES	S/N BREAK
1	CN325	0UN284	VIS INOX TC 4 x 6	SCREW M4 X 6					
2	34202	0UN077	THERMOSTAT SECURITE 160C TRI UL	THERMOSTAT 160C UL					
3	29815	0UN331	CACHE RESISTANCE	INSULATOR BOOT					
4	CV3	0UN964	VIS TH M8 x 20 INOX	S.STEEL SCREW M8 x 20					
5	C16	0UNA5S	RONDELLE ACIER NICKLE M8	WASHER 8					
6	NM296	0UN268	SUPPORT THERMOSTAT	THERMOSTAT HOLDER					
7	29811	0UN457	ELEMENT CHAUFFANT 230V 2730W	HEATING ELEMENT 230V 2730W			d,e,f,g,h;k,n,o;w;x;c1;d1; k1;q1;r1;t1;w1;y1;z1		
7	29812	0UN083	ELEMENT CHAUFFANT 230V4370W	HEATING ELEMENT 230V 4370W			a,b,c,i,j,l,m,p,q,r,s;u,v,y,z; a1;e1;g1;h1;j1;m1;o1;p1; s1;u1;v1;x1;a2		
8	CV20	0UN090	JOINT TORIQUE 3,53X66,68 FKM	GASKET - 66.68 x 3.53					
9	AE53A	0UN406	PRESSOSTAT HOMOLOGUE UL	PRESSURESTAT UL - SIRAI			a,t;u,v,f1;g1;h1;i1;j1;m1; n1;o1;p1;x1;y1		
9	33700	0UN079	PRESSOSTAT A CONTACT SEC	PRESSURESTAT			b,c,d,e,f,g,h,i,j,k;l,m,n,o;p; q,r,s;w;x;y,z;a1;b1;c1;d1; e1;k1;q1;r1;s1;t1;u1;v1; w1;z1;a2		
10	AE52	0UN763	BORNIER TERRE VERT-JAUNE	TERMINAL BLOCK - GREEN/YELLOW					
11	AE51	0UN762	BORNIER GM BLEU	TERMINAL BLOCK BLUE					
12	ED112		ETIQUETTE BORNIER	TERMINAL STICKER					
13	CN724	0UN686	SUPPORT BORNIER L=95 mm	RAIL					
14	RO13	0UNA3U	VIS INOX TC 4 x 10	SCREW M4 X 10 -					
15	42007		PRESSE ETOUPE PG21 NOIR	CABLE GLAND					
15	ED133	0UNJRT	PRESSE ETOUPE NOIR	PACKING GLAND			a,b,c,i,j,l,m,p,q,r,s;u,v,y,z; a1;d1;e1;g1;h1;j1;m1;o1; p1;s1;u1;v1;w1;x1;a2		
15	DV08		PRESSE ETOUPE UL COUL= NOIRE	STRAIN RELIEF			d,e,f,g,h;k;n;o;t;w;x;b1; c1;f1;i1;k1;l1;n1;q1;r1; t1;y1;z1		
16	ID68A		CACHE DE COMMUTATEUR	TERMINAL COVER					
17	43430	0UNBZN	COMMUTATEUR A CAME UL/CSA	SWITCH UL/CSA					

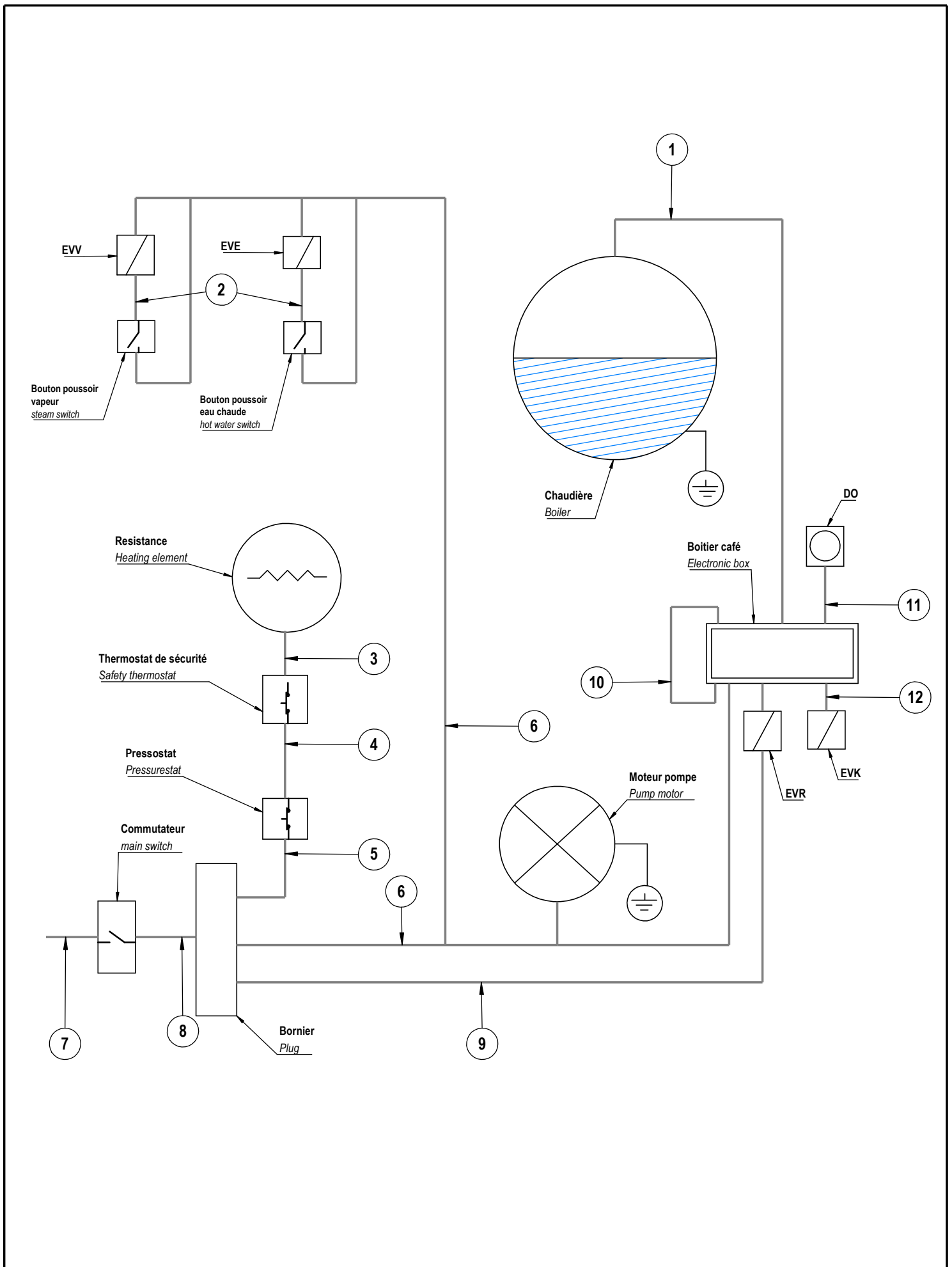


PLANCHE - PLATE 511

Pos.	Fact. code	Code	Description FR	Description GB	V	W&T	REF.	NOTES	S/N BREAK
1	DV55		FIL SONDE DE NIVEAU	Probe wire					
2	DV8009	0UNE1V	CÂBLE POUR COMMANDE EAU / VAPEUR	WATER / STEAM CABLE					
3	DV8121	0UN366	Câble thermostat de sécurité de résistance	Heating element safety thermostat cable					
4	DV8001	0UN545	CÂBLE PRESSOSTAT / SÉCURITÉ	HEATING ELEMENT PRESSURESTAT CABLE					
5	DV8122	0UN346	Câble d'alimentation pressostat	Pressurestat feeding cable					
6	DV8109	0UNE28	Câble d'alimentation, boîtier électronique	Feeding electronic box cable					
7	DV8120	0UN497	Câble d'alimentation générale Europe	Europe general feeding cable					
7	AU8004		CABLE D'ALIMENTATION	ALIMENTATION WIRE			b;c;ij;l;m;p;q;y;z;e1;s1;u1; v1;a2		
7	AU8008	0UN834	CÂBLE D'ALIMENTATION GÉNÉRALE UL	UL GENERAL FEEDING CABLE			a;r;s;t;u;y;a1;b1;c1;d1;f1; g1;h1;i1;j1;l1;m1;n1;o1;p1; w1;x1;y1		
8	DV8105	0UNE27	Câble commutateur / bornier	Switch / plug cable					
9	DV8114	0UNE3C	Câble EV remplissage	Filling electrovalve cable					
10	DV8020	0UNE1Y	CÂBLE PONT	BRIDGE CABLE					
11	DV8018	0UNE1X	CÂBLE DOSEUR VOLUMÉTRIQUE	VOLUMETRIC DOSER CABLE					
12	DV8110	0UNE29	CÂBLE EV CAFÉ	COFFEE ELECTROVALVE CABLE					

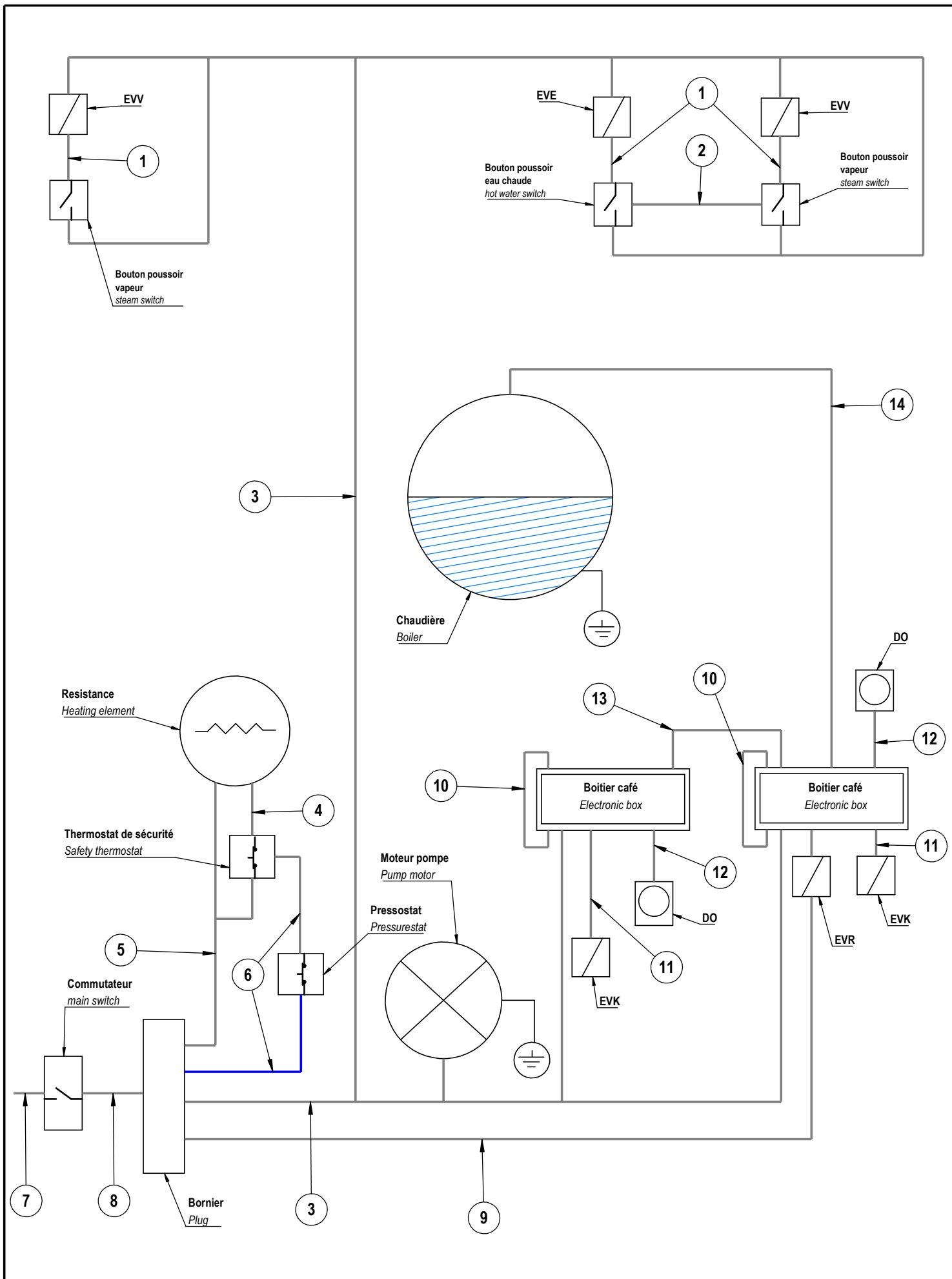


PLANCHE - PLATE 512

Pos.	Fact. code	Code	Description FR	Description GB	V	W&T	REF.	NOTES	S/N BREAK
1	DV8009	0UNE1V	CÂBLE POUR COMMANDE EAU / VAPEUR	WATER / STEAM CABLE					
2	FR8039	0UNFA6	CABLE ALIM MONO 220V UL/CSA	220V UL/CSA MACHINE POWER WIRE					
3	DV8112	0UNE3A	CÂBLE D'ALIM BOÎTIERS ÉLECTRONIQUES	FEEDING ELECTRONIC BOXES CABLE					
4	NM8000	0UN580	CÂBLE THERMOSTAT SÉCURITÉ RÉSISTANCE	HEATING ELEMENT SAFETY THERMOSTAT					
5	NM8002	0UNFXR	Câble d'alimentation de la résistance	Heating element feeding cable					
6	DV8001	0UN545	CÂBLE PRESSOSTAT / SÉCURITÉ	HEATING ELEMENT PRESSURESTAT CABLE			d,e,f,g,h;k;n,o;t,w;x;b1; c1;d1;f1;i1;k1;l1;n1;q1;r1; t1;w1;y1;z1		
6	AU8005	0UN938	CABLE ARRIVEE PRESSOSTAT AURA	PRESSURESTAT WIRE			a,b;c,i,j;l,m;q,r;s;u,v;y;z; a1;e1;g1;h1;j1;m1;o1;p1; s1;u1;v1;x1;a2		
7	RB8010		CABLE ALIMENTATION MIRA CLASSIC MONO	GENERAL FEEDING CABLE MONO			d,e,f,g,h;k;n;o;w;x;k1;q1; r1;t1;z1		
7	AU8008	0UN834	CÂBLE D'ALIMENTATION GÉNÉRALE UL	UL GENERAL FEEDING CABLE			a;r;s;t;u;v;a1;b1;c1;d1;f1; g1;h1;i1;j1;l1;m1;n1;o1;p1; w1;x1;y1		
7	ED106		Câble d'alimentation générale Europe	Europe general feeding cable					
8	RB8022	0UN612	CABLE COMMUTATEUR KONCAR BORNIER EUROPE	EUROPA SWITCH WIRE					
9	DV8014	0UNE1V	CÂBLE POUR COMMANDE EAU / VAPEUR	WATER / STEAM CABLE					
10	DV8020	0UNE1Y	CÂBLE PONT	BRIDGE CABLE					
11	DV8110	0UNE29	CÂBLE EV CAFÉ	COFFEE ELECTROVALVE CABLE					
12	DV8018	0UNE1X	CÂBLE DOSEUR VOLUMÉTRIQUE	VOLUMETRIC DOSER CABLE					
13	DV8012	0UNE1V	CÂBLE POUR COMMANDE EAU / VAPEUR	WATER / STEAM CABLE					
14	DV55		FIL SONDE DE NIVEAU	Probe wire					

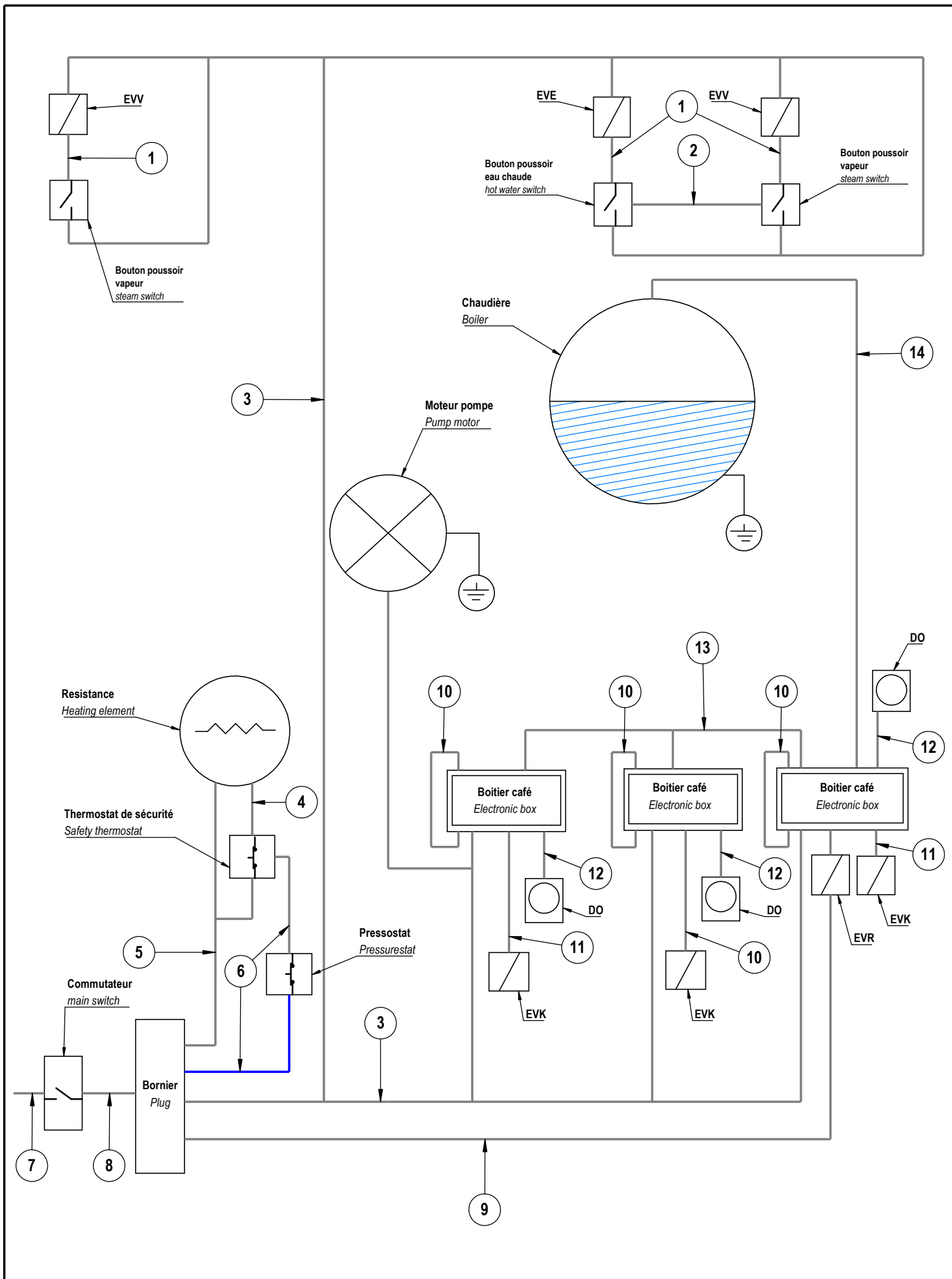


PLANCHE - PLATE 513

Pos.	Fact. code	Code	Description FR	Description GB	V	W&T	REF.	NOTES	S/N BREAK
1	DV8009	0UNE1V	CÂBLE POUR COMMANDE EAU / VAPEUR	WATER / STEAM CABLE					
2	FR8039	0UNFA6	CABLE ALIM MONO 220V UL/CSA	220V UL/CSA MACHINE POWER WIRE					
3	DV8113	0UNE3B	CÂBLE D'ALIM BOÎTIERS ÉLECTRONIQUES	FEEDING ELECTRONIC BOXES CABLE					
4	NM8000	0UN580	CÂBLE THERMOSTAT SÉCURITÉ RÉSISTANCE	HEATING ELEMENT SAFETY THERMOSTAT					
5	NM8003	0UN321	Câble d'alimentation de la résistance	Heating element feeding cable					
6	DV8001	0UN545	CÂBLE PRESSOSTAT / SÉCURITÉ	HEATING ELEMENT PRESSURESTAT CABLE			d,e,f,g,h;k;n,o;t,w;x;b1; c1;d1;f1;i1;k1;l1;n1;q1;r1; t1;w1;y1;z1		
6	AU8005	0UN938	CABLE ARRIVEE PRESSOSTAT AURA	PRESSURESTAT WIRE			a,b;c,i;j;l;m;q;r;s;u;v;y;z; a1;e1;g1;h1;j1;m1;o1;p1; s1;u1;v1;x1;a2		
7	RB8010		CABLE ALIMENTATION MIRA CLASSIC MONO	GENERAL FEEDING CABLE MONO			d,e,f,g,h;k;n,o;w;x;k1;q1; r1;t1;z1		
7	AU8008	0UN834	CÂBLE D'ALIMENTATION GÉNÉRALE UL	UL GENERAL FEEDING CABLE			a;r;s;t;u;v;a1;b1;c1;d1;f1; g1;h1;i1;j1;l1;m1;n1;o1;p1; w1;x1;y1		
7	ED106		Câble d'alimentation générale Europe	Europe general feeding cable					
8	RB8022	0UN612	CABLE COMMUTATEUR KONCAR BORNIER EUROPE	EUROPA SWITCH WIRE					
9	DV8020	0UNE1Y	CÂBLE PONT	BRIDGE CABLE					
10	DV8114	0UNE3C	Câble EV remplissage	Filling electrovalve cable					
11	DV8110	0UNE29	CÂBLE EV CAFÉ	COFFEE ELECTROVALVE CABLE					
12	DV8018	0UNE1X	CÂBLE DOSEUR VOLUMÉTRIQUE	VOLUMETRIC DOSER CABLE					
13	DV8027	0UNE21	FIL DE TRANSMISSION DE DONNÉES	DATA TRANSMITTING WIRE					
14	DV55		FIL SONDE DE NIVEAU	Probe wire					