



## TRADITIONAL COFFEE APPLIANCE MACHINE A CAFÉ TRADITIONNELLE

# STELLA EPIC

### 1XX HABILLAGE

- 110 HABILLAGE EPIC
- 111 PERSONNALISATION
- 112 ENSEMBLE BASSINE
- 120 CALANDRE EPIC

### 2XX SORTIES EXTÉRIEURES

- 200 ÉLECTROVANNE SORTIE VAPEUR
- 201 ENSEMBLE SORTIE VAPEUR ROBINET
- 215 SORTIE VAPEUR COLD TOUCH
- 238 SORTIE STEAMAIR
- 246 SORTIE CAPPUCCINO PAR ASPIRATION
- 250 TUBE, MITIGEUR & EV SORTIE EAU CHAUDE
- 261 SORTIE EAU CHAUDE

### 3XX HYDRAULIQUE

- 302 CIRCUIT HYDRAULIQUE 2GR
- 303 CIRCUIT HYDRAULIQUE 3GR
- 325 POMPES 200L
- 330 NOURRICE D'ALIMENTATION
- 331 DOSEURS D'ALIMENTATION
- 340 CHAUDIÈRE EPIC
- 341 CHAUDIÈRE CAFÉ
- 345 GROUPE CAFÉ
- 350 BOITE DE DÉCOMPRESSION

### 4XX CIRCUIT CAFÉ

- 494 PORTE FILTRE AVEC CAPTEUR
- 497 PORTE FILTRE AVEC RFID
- 498 PORTE FILTRE POIGNEE LONGUE

### 5XX ÉLECTRONIQUE

- 500 COMPOSANTS ELECTRIQUES
- 510 TABLEAU DE RACCORDEMENT ELECTRIQUE
- 520 CONNECTEURS & FUSIBLES CARTE MERE
- 521 CABLES & CONNECTEURS CALANDRE
- 530 LISTES DES CABLES

### MACHINE CASNG

- EPIC CASING
- PERSONNALIZATION
- OVERFLOW TRAY
- EPIC FRONT PANEL

### EXTERNAL OUPUT

- STEAM OULTET ELECTROVALVE
- STEAM OUTLET STAINLESS STEEL
- COLD TOUCH STEAM OUTLET
- STEAMAIR OUTLET
- CAPPUCCINO OUTLET
- PIPE, MIXER & EV HOT WATER OUTLET
- HOT WATER OUTLET

### HYDRAULIC CIRCUIT

- HYDRAULIC CIRCUIT 2GR
- HYDRAULIC CIRCUIT 3GR
- 200L PUMPS
- WATER FEEDING UNIT
- WATER DOSING UNIT
- EPIC BOILER
- COFFEE BOILER
- COFFEE GROUP
- DRAIN BOX

### COFFEE SYSTEM

- FILTER HOLDER WITH SENSOR
- FILTER HOLDER WITH RFID
- FILTER HOLDER LONG HANDLE

### ELECTRONIC SYSTEM

- ELECTRICAL COMPONENTS
- ELECTRIC CONNECTION PANEL
- MOTHERBOARD CONNECTORS & FUSES
- CONNECTORS & WIRES FRONT PANEL
- ELECTRICAL WIRES LISTING

**6XX**    **OPTION/KIT**  
600    ACCESSOIRES  
601    PORTES FILTRES CUSTOM

**OPTION/KIT**  
*ACCESSORIES*  
*CUSTOM FILTER HOLDER*

# Epic PM Schedule

March-21

PM Parts	Unic Parts listing Description	Part #	Parts Page SE900 6/2019	Twin	TRI	6 Months	Years					
							1	3	5	2	4	6
<b>Group Service</b>												
Group Gasket	HEAD GASKET 9MM	PC-17	345	2	3	✓	✓	✓	✓	✓	✓	✓
Group O-ring 2.62mm x 52.07mm	GASKET - 2.62 X 52.07	27800	345	2	3	✓	✓	✓	✓	✓	✓	✓
Easy Lock O-ring	JOINT TORIQUE 2.62 X 52.07 NRB	27718	345	2	3	✓	✓	✓	✓	✓	✓	✓
Easy Lock Leaf Spring	RESSORT D6	28828	345	2	3		✓					✓
IMS Competition Shower Screen	DOUCHETTE BARISTA	92070	345	2	3				✓			✓
Slotted Screw - shower screen	SCREW - M5 X 10	50200	345	2	3				✓			✓
Diffuser Disk	WASHER DIFFUSER	31910	345	2	3							✓
Complete Gicleur Assembly	GICLEUR Ø 0.7 KIT	23127	345	2	3		✓		✓			✓
Group Temperature Probe Epic	SONDE THERMOSTATIQUE	34404	345	2	3				✓			✓
Group Pressure Transducer MP	CAPTEUR DE PRESSION 0-16b DAN	36510MP	345	2	3				✓			✓

<b>Steam/Water Wands Service</b>												
Swivel O-ring	O RING - 9,13 X 2,62	PH-78	201	3	3	✓	✓	✓	✓	✓	✓	✓
Upper O-Ring	O RING - 13.95 X 2.62	PH-54	201	3	3		✓	✓	✓	✓	✓	✓
Copper Spacer washer	COPPER GASKET	AG-14	201	3	3		✓	✓	✓	✓	✓	✓
Wand Spring	SPRING	PA-43	201	3	3		✓	✓	✓	✓	✓	✓
Wand Spring Holder	BRASS END	RR-67	201	3	3		✓	✓	✓	✓	✓	✓

<b>Steam Valve Service</b>												
Steam Valve Ceramic Cartridge	CERAMIC CARTRIDGE	25925	201	1	1		✓	✓	✓	✓	✓	✓
Steam Lever Screw M4 x 16	SCREW - M4 X 16	CN-489E	201	1	1		✓	✓	✓	✓	✓	✓
Steam Lever Hex Insert	STEAM HANDLE INSERT	NZ-4014	201	1	1		✓	✓	✓	✓	✓	✓

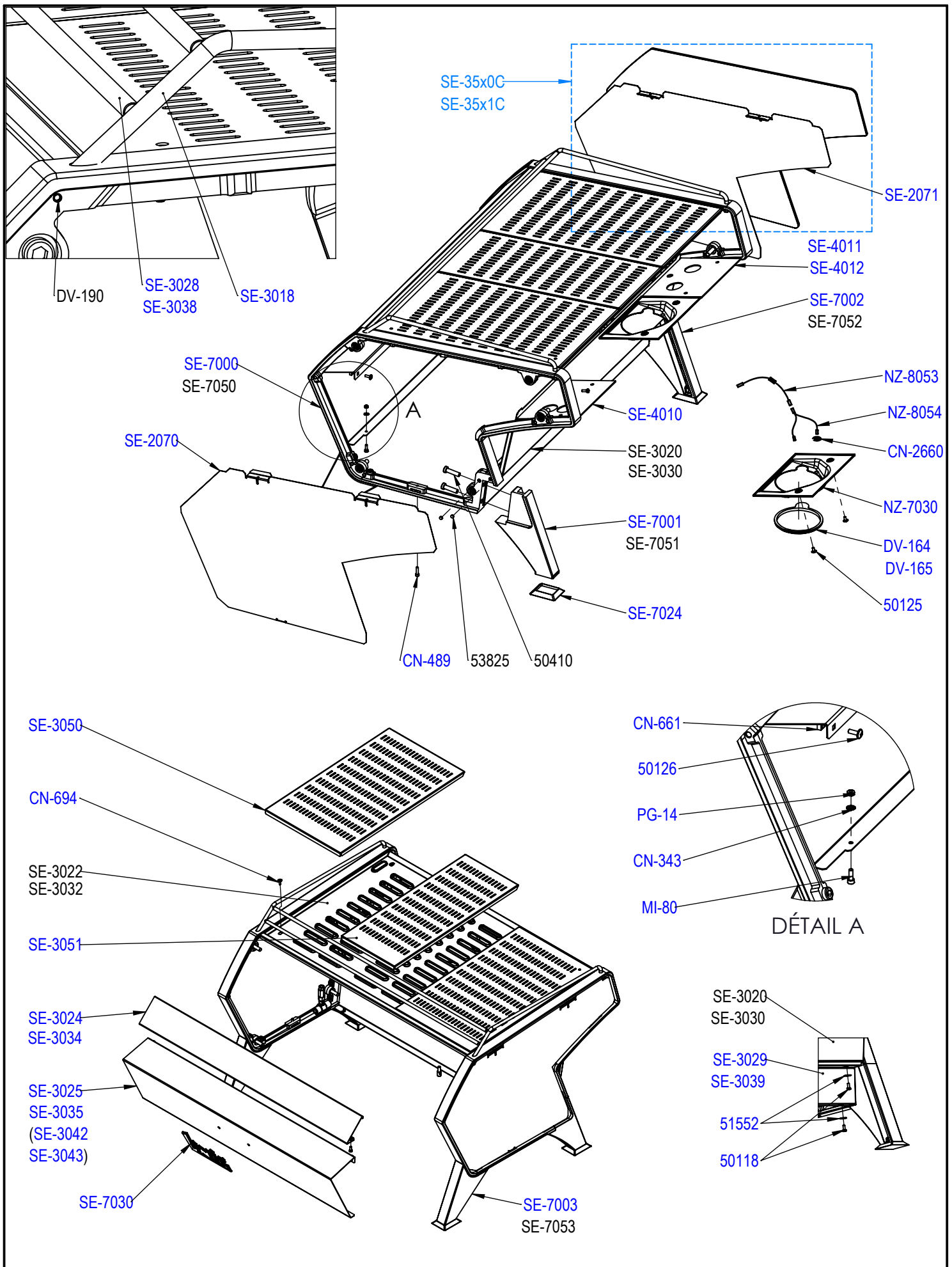
<b>Steam Boiler Service</b>												
Steam Boiler Safety Valve	LP VALVE 1/8	27200		1	1		✓	✓	✓	✓	✓	✓
Safety Valve O-ring	JOINT TORIQUE 1.78 X 12.42 EPDM	PA-96					✓	✓	✓	✓	✓	✓
Complete Vacuum Break Kit	VACUUM VALVE KIT	27224	200				✓	✓	✓	✓	✓	✓
Fill Level Probe Assembly L=130mm	SONDE DE NIVEAU L=130	26510	340	1	1				✓			✓
Safety Probe L=150mm	SONDE DE NIVEAU L=130	26515	340						✓			✓

<b>General Service</b>												
Brew Valve O-rings	O RING - 6,07 X 1,78	27737	240	4	6				✓			✓
Flow Meter O-ring	GASKET - DOSING DEVICE	CN-828		2	3				✓			✓
Flow Meter Impeller	TURBINE	CN-829		2	3				✓			✓
Expansion Valve	COMPLET H.P. VALVE	DO-191	330	1	1				✓			✓
Expansion/Filling Valve O-rings	JOINT TORIQUE 2 X 9,5 FKM 80SH	28134	330	4	4				✓			✓

<b>Complete 6 Year Service</b>												
Brew Valve W/O coil (incl O-rings)	WHOLE ELECTROVALVE W/O COIL	PI-45X	345	2	3							✓
Flow Meter Cap	WATER DOSING DEVICE LID	CN-827		2	3							✓
Hot Water Valve	ELECTROVALVE 2W W/O COIL	CN-245W		2	2							✓
Flat Rubber Gasket (hot water valve)	GASKET - 20 X 12 X 2	28352		2	2							✓
Procon Pumphead 200L/H	PROCON PUMP 200L/H	37225	325	1	1							✓
Pump Coupler Kit	COLLIER POUR PUMP FLUIDOTECH	37219	325	1	1							✓
Filling Valve	ELECTROVALVE 2W ADJ. W/O COIL	CN-631W	325	1	1							✓
Filter screen-filing valve	FILTRE INOX	25400	325	1	1							✓
Copper Washer (pump/filling valve)	WASHER - COPPER - 3/8	CH-16		2	2							✓

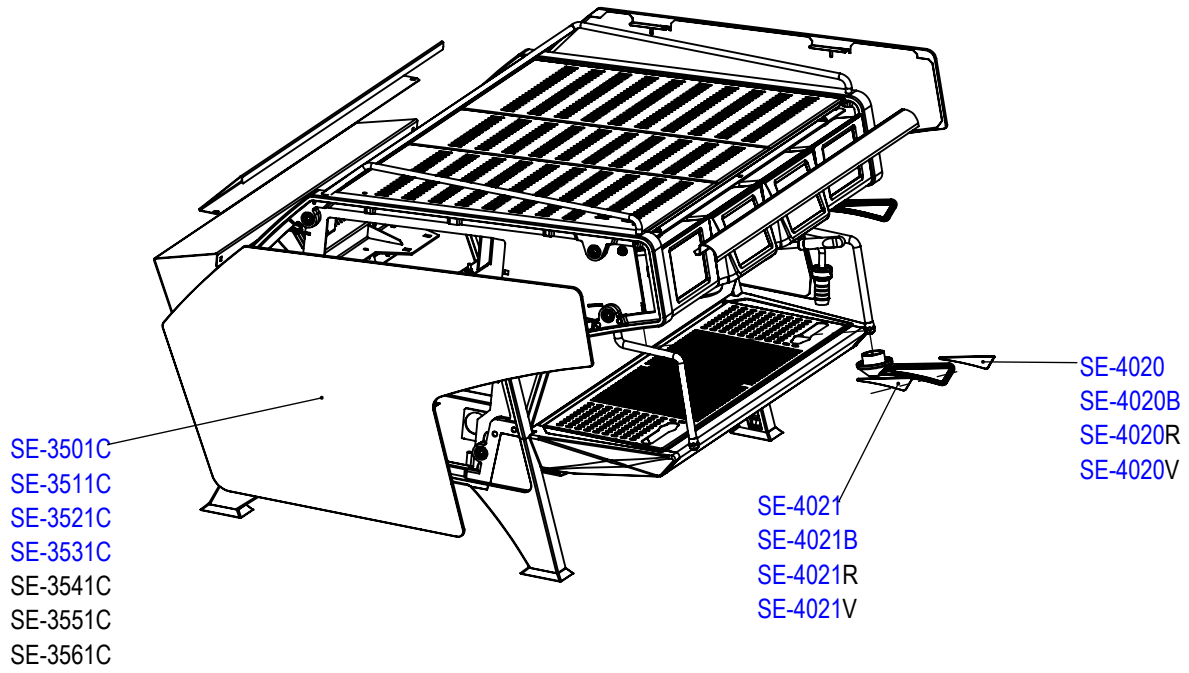
## PLANCHE - PLATE 110

REF	ELUX	DESIGNATIONS FR	DESIGNATIONS GB
50118	0UNA64	VIS TH M4X10 INOX	S.STEEL SCREW M4X10
50125	0UNA68	VIS TB CRUCIFORME A EMBASE M4 x 8	CRUCIFORM SCREW M4 x 8
50126	0UN615	VIS TB CRUCIFORME A EMBASE M4 x 12	CRUCIFORM SCREW M4 x 12
50410		VIS TC HC TETE BASSE M8x30	SCREW M8X30
51552	0UN616	RONDELLE INOX 4.25x14x0.8	S..STEEL WASHER 4.25x14x0.8
53825	0UNA3G	AIMANT CYLINDRIQUE D6x4	CYLINDRIC MAGNET D6x4
CN-2660		JOINT TORIQUE 1.78X6.75 EPDM	O-RING 1,78X6,75 EPDM
CN-343	0UNA3M	RONDELLE EVENTAIL 4	WASHER 4
CN-489	0UNA09	VIS INOX CHC 4 x 16	SCREW M4 X 16
CN-661	0UN184	ECROU CAGE M4, EP 1/1.6	INSERT NUT M4
CN-694	0UN186	VIS POELIER M 4 X 12 INOX	SCREW M4 X 12
DV-164		JOINT POUR JUPETTE NSF	GASKET COVER
DV-165		JOINT POUR JUPETTE NSF CAPTEUR	GASKET COVER SENSOR
DV-190		VIS STHC M4 X 6 BOUT POINTU	SCREW STHC M4 X 6
NZ-7030		CACHE GROUPE	UNIT COVER
NZ-8053		CABLE POUR LED GROUPE- EV	UNIT-EV CABLE FOR LED
NZ-8054	0UN070	CABLE LED GROUPE	LED UNIT CABLE
PG-14	0UN277	ECROU M4	NUT M4
SE-2070		SUPPORT DE PIECE COTE GAUCHE	LEFT HOLDER SIDE
SE-2071		SUPPORT DE PIECE COTE DROIT	RIGHT HOLDER SIDE
SE-3018		BARRIERE COTE CHAUFFE TASSES	FENCE CUP WARMER
SE-3020		DEVANT 2 GROUPE	2 UNITS FRONT
SE-3022		CHAUFFE TASSES 2GR	2 UNITS CUP WARMER
SE-3024		ARRIERE CHAUFFE TASSES 2GR	2 UNITS CUP WARMER BACK
SE-3025		CHEMISE ARRIERE 2GR	2 UNITS REAR CASING
SE-3028		BARRIERE ARRIERE CHAUFFE TASSES 2GR	2 UNITS REAR FENCE CUP WARMER
SE-3029		ENJOLIVER ARRIERE BASSINE 2GR	2 UNITS REAR ENJOLIVER BASIN
SE-3030		DEVANT 3 GROUPE	3 UNITS FRONT
SE-3032		CHAUFFE TASSES 3GR	3 UNITS CUP WARMER
SE-3034		ARRIERE CHAUFFE TASSES 3GR	3 UNITS CUP WARMER BACK
SE-3035		CHEMISE ARRIERE 3GR	3 UNITS REAR CASING
SE-3038		BARRIERE ARRIERE CHAUFFE TASSES 3GR	3 UNITS REAR FENCE CUP WARMER
SE-3039		ENJOLIVER ARRIERE BASSINE 3GR	3 UNITS REAR ENJOLIVER BASIN
SE-3042		CHEMISE ARRIERE 2GR SANS TROUS	2 UNITS REAR CASING WITHOUT HOLE
SE-3043		CHEMISE ARRIERE 3GR SANS TROUS	3 UNITS REAR CASING WITHOUT HOLE
SE-3050		VERRIERE COTE	SIDE CUP RACK
SE-3051		VERRIERE GROUPE	GROUP CUP RACK
SE-4010		CACHE SORTIE EXTERIEURE GAUCHE	LEFT COVER OUTLET
SE-4011		CACHE SORTIES EXTERIEURES DROITES (ROBINET)	RIGHT COVER OUTLET FOR TAP
SE-4012		CACHE SORTIES EXTERIEURES DROITES (STEAMAIR)	RIGHT COVER OUTLET FOR STEAMAIR
SE-7000		COTE STELLA EN INJECTION	SIDE EPIC
SE-7001		PIED AVANT GAUCHE	LEFT FRONT FOOT
SE-7002		PIED AVANT DROIT	RIGHT FRONT FOOT
SE-7024		BASE PIED CAOUTCHOUC	FOOT BASE
SE-7030		LOGO UNIC VINTAGE	VINTAGE UNIC
SE-7050		COTE STELLA EN INJECTION NOIR	BLACK SIDE EPIC
SE-7051		PIED AVANT GAUCHE NOIR	BLACK LEFT FRONT FOOT
SE-7052		PIED AVANT DROIT NOIR	BLACK RIGHT FRONT FOOT
SE-7053		PIED ARRIERE NOIR	BLACK REAR FOOT



## PLANCHE - PLATE 111

REF	ELUX	DESIGNATIONS FR	DESIGNATIONS GB
SE-3500C		COTE DROIT PLEXI "GLOSS WHITE"	RIGHT SIDE "GLOSS WHITE"
SE-3501C		COTE GAUCHE PLEXI "GLOSS WHITE"	LEFT SIDE "GLOSS WHITE"
SE-3502		CHEMISE ARRIERE 2GR "GLOSS WHITE"	2 UNITS REAR CASING "GLOSS WHITE"
SE-3503		CHEMISE ARRIERE 3GR "GLOSS WHITE"	3 UNITS REAR CASING "GLOSS WHITE"
SE-3504		ARRIERE CHAUFFE TASSES 2GR "GLOSS WHITE"	2 UNITS CUP WARMER BACK "GLOSS WHITE"
SE-3505		ARRIERE CHAUFFE TASSES 3GR "GLOSS WHITE"	3 UNITS CUP WARMER BACK "GLOSS WHITE"
SE-3510C		COTE DROIT PLEXI "GLOSS BLACK"	RIGHT SIDE "GLOSS BLACK"
SE-3511C		COTE GAUCHE PLEXI "GLOSS BLACK"	LEFT SIDE "GLOSS BLACK"
SE-3512		CHEMISE ARRIERE 2GR "GLOSS BLACK"	2 UNITS REAR CASING "GLOSS BLACK"
SE-3513		CHEMISE ARRIERE 3GR "GLOSS BLACK"	3 UNITS REAR CASING "GLOSS BLACK"
SE-3514		ARRIERE CHAUFFE TASSES 2GR "GLOSS BLACK"	2 UNITS CUP WARMER BACK "GLOSS BLACK"
SE-3515		ARRIERE CHAUFFE TASSES 3GR "GLOSS BLACK"	3 UNITS CUP WARMER BACK "GLOSS BLACK"
SE-3520C		COTE DROIT PLEXI "CARMINE RED"	RIGHT SIDE "CARMINE RED"
SE-3521C		COTE GAUCHE PLEXI "CARMINE RED"	LEFT SIDE "CARMINE RED"
SE-3522		CHEMISE ARRIERE 2GR "CARMINE RED"	2 UNITS REAR CASING "CARMINE RED"
SE-3523		CHEMISE ARRIERE 3GR "CARMINE RED"	3 UNITS REAR CASING "CARMINE RED"
SE-3524		ARRIERE CHAUFFE TASSES 2GR "CARMINE RED"	2 UNITS CUP WARMER BACK "CARMINE RED"
SE-3525		ARRIERE CHAUFFE TASSES 3GR "CARMINE RED"	3 UNITS CUP WARMER BACK "CARMINE RED"
SE-3530C		COTE DROIT PLEXI "CALIFORNIAN GREEN"	RIGHT SIDE "CALIFORNIAN GREEN"
SE-3531C		COTE GAUCHE PLEXI "CALIFORNIAN GREEN"	LEFT SIDE "CALIFORNIAN GREEN"
SE-3532		CHEMISE ARRIERE 2GR "CALIFORNIAN GREEN"	2 UNITS REAR CASING "CALIFORNIAN GREEN"
SE-3533		CHEMISE ARRIERE 3GR "CALIFORNIAN GREEN"	3 UNITS REAR CASING "CALIFORNIAN GREEN"
SE-3534		ARR. CHAUFFE TASSES 2GR "CALIFORNIAN GREEN"	2 UNITS CUP WARMER BACK "CALIFORNIAN GREEN"
SE-3535		ARR. CHAUFFE TASSES 3GR "CALIFORNIAN GREEN"	3 UNITS CUP WARMER BACK "CALIFORNIAN GREEN"
SE-3540C		COTE DROIT PLEXI "CHENE FONCE"	RIGHT SIDE "DARK OAK"
SE-3541C		COTE GAUCHE PLEXI "CHENE FONCE"	LEFT SIDE "DARK OAK"
SE-3542		CHEMISE ARRIERE 2GR "CHENE FONCE"	2 UNITS REAR CASING "DARK OAK"
SE-3543		CHEMISE ARRIERE 3GR "CHENE FONCE"	3 UNITS REAR CASING "DARK OAK"
SE-3544		ARRIERE CHAUFFE TASSES 2GR "CHENE FONCE"	2 UNITS CUP WARMER BACK "DARK OAK"
SE-3545		ARRIERE CHAUFFE TASSES 3GR "CHENE FONCE"	3 UNITS CUP WARMER BACK "DARK OAK"
SE-3550C		COTE DROIT PLEXI "CHENE CLAIR"	RIGHT SIDE "LIGHT OAK"
SE-3551C		COTE GAUCHE PLEXI "CHENE CLAIR"	LEFT SIDE "LIGHT OAK"
SE-3552		CHEMISE ARRIERE 2GR "CHENE CLAIR"	2 UNITS REAR CASING "LIGHT OAK"
SE-3553		CHEMISE ARRIERE 3GR "CHENE CLAIR"	3 UNITS REAR CASING "LIGHT OAK"
SE-3554		ARRIERE CHAUFFE TASSES 2GR "CHENE CLAIR"	2 UNITS CUP WARMER BACK "LIGHT OAK"
SE-3555		ARRIERE CHAUFFE TASSES 3GR "CHENE CLAIR"	3 UNITS CUP WARMER BACK "LIGHT OAK"
SE-3560C		COTE DROIT "INOX ONDULE"	RIGHT SIDE "WAVY STAINLESS STEEL"
SE-3561C		COTE GAUCHE "INOX ONDULE"	LEFT SIDE "WAVY STAINLESS STEEL"
SE-3562		CHEMISE ARRIERE 2GR "INOX ONDULE"	2 U. REAR CASING "WAVY STAINLESS STEEL"
SE-3563		CHEMISE ARRIERE 3GR "INOX ONDULE"	3 U. REAR CASING "WAVY STAINLESS STEEL"
SE-3564		ARRIERE CHAUFFE TASSES 2GR "INOX ONDULE"	2 U. CUP WARMER BACK "WAVY STAINLESS STEEL"
SE-3565		ARRIERE CHAUFFE TASSES 3GR "INOX ONDULE"	3 U. CUP WARMER BACK "WAVY STAINLESS STEEL"
SE-4020		STICKER POIGNEE EPIC DROITE NOIR	BLACK STICKER HANDLE RIGHT EPIC
SE-4020B		STICKER POIGNEE EPIC DROITE BLANC	WHITE STICKER HANDLE RIGHT EPIC
SE-4020R		STICKER POIGNEE EPIC DROITE ROUGE	RED STICKER HANDLE RIGHT EPIC
SE-4020V		STICKER POIGNEE EPIC DROITE VERT	GREEN STICKER HANDLE RIGHT EPIC
SE-4021		STICKER POIGNEE EPIC GAUCHE NOIR	BLACK STICKER HANDLE LEFT EPIC
SE-4021B		STICKER POIGNEE EPIC GAUCHE BLANC	WHITE STICKER HANDLE LEFT EPIC
SE-4021R		STICKER POIGNEE EPIC GAUCHE ROUGE	RED STICKER HANDLE LEFT EPIC
SE-4021V		STICKER POIGNEE EPIC GAUCHE VERT	GREEN STICKER HANDLE LEFT EPIC



Gloss White  
SE350X



Gloss Black  
SE351X



Carmine Red  
SE352X



Californian Green  
SE353X



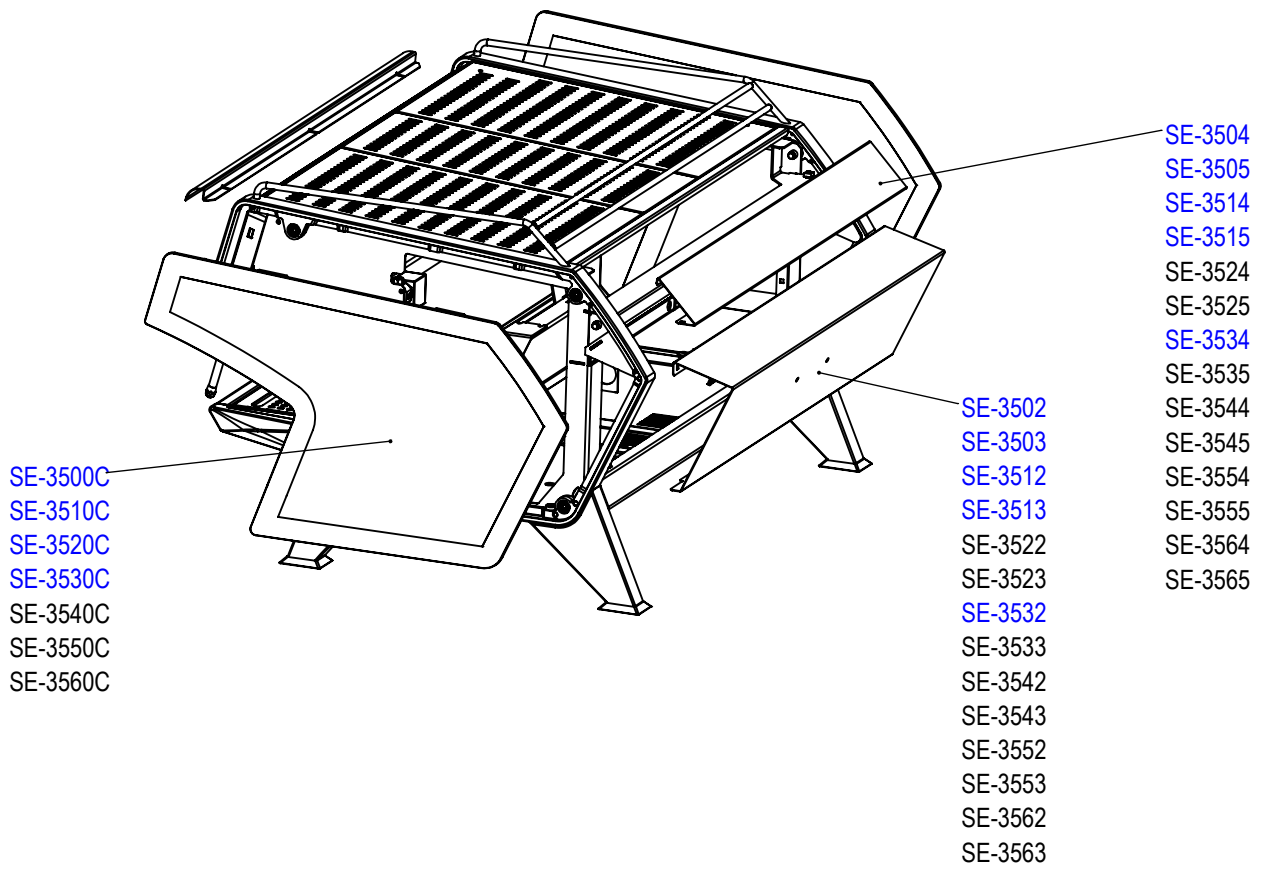
Chêne foncé  
SE354X



Chêne clair  
SE355X

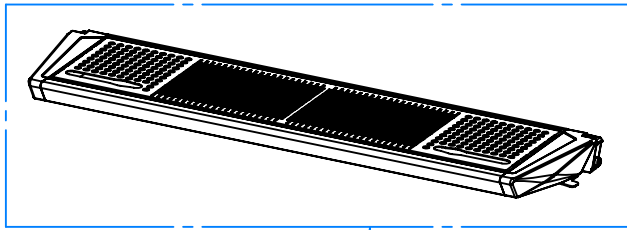


Inox Ondulée  
SE356X

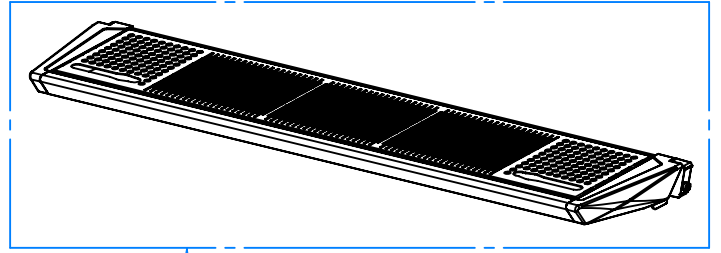


## PLANCHE - PLATE 112

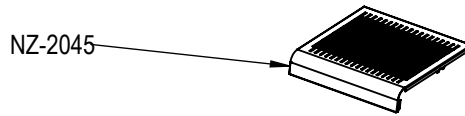
<b>REF</b>	<b>ELUX</b>	<b>DESIGNATIONS FR</b>	<b>DESIGNATIONS GB</b>
28832	0UN407	RESSORT SECURITE	SECURITY SPRING
CN-325	0UN284	VIS INOX TC 4 x 6	SCREW M4 X 6
DO-195	0UNA1L	VIS ACIER INOX TC 4 X 12	SCREW M4 X 12
NZ-2045		GRILLE DE BASSINE 3GR	3 UNITS OVERFLOW TRAY GRID
PG-15B	0UNA3S	RONDELLE INOX 4.2X10X0.8	WASHER
SE-1012		ASSEMBLAGE BASSINE REGLABLE 2GR	2 UNITS ADJUSTABLE OVERFLOW TRAY
SE-1013		ASSEMBLAGE BASSINE REGLABLE 3GR	3 UNITS ADJUSTABLE OVERFLOW TRAY
SE-2007		GACHETTE DROITE REGLAGE BASSINE	RIGHT TRIGGER ADJUSTMENT
SE-2008		GACHETTE GAUCHE REGLAGE BASSINE	LEFT TRIGGER ADJUSTMENT
SE-3002		BASSINE 2GR SOUDEE	2 UNITS WELDED BASIN
SE-3003		BASSINE 3GR SOUDEE	3 UNITS WELDED BASIN
SE-3022		CHAUFFE TASSES 2GR	2 UNITS CUP WARMER
SE-3023		HABILLAGE BASSINE 2GR	2 UNITS OVERFLOW TRAY
SE-3027		CHEMISE ARRIERE 2GR	2 UNITS REAR CASING
SE-3037		CHEMISE ARRIERE 3GR	3 UNITS REAR CASING
SE-4001		PIGE VERROU BASSINE	LOCK PIN
SE-7010		JOUE BASSINE GAUCHE	LEFT ORNAMENTAL OVERFLOW TRAY
SE-7011		JOUE BASSINE DROITE	RIGHT ORNAMENTAL OVERFLOW TRAY



SE-1012

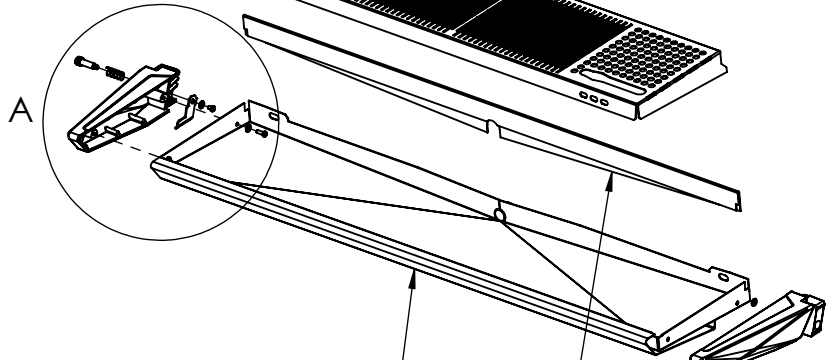


SE-1013



NZ-2045

SE-3027  
SE-3037

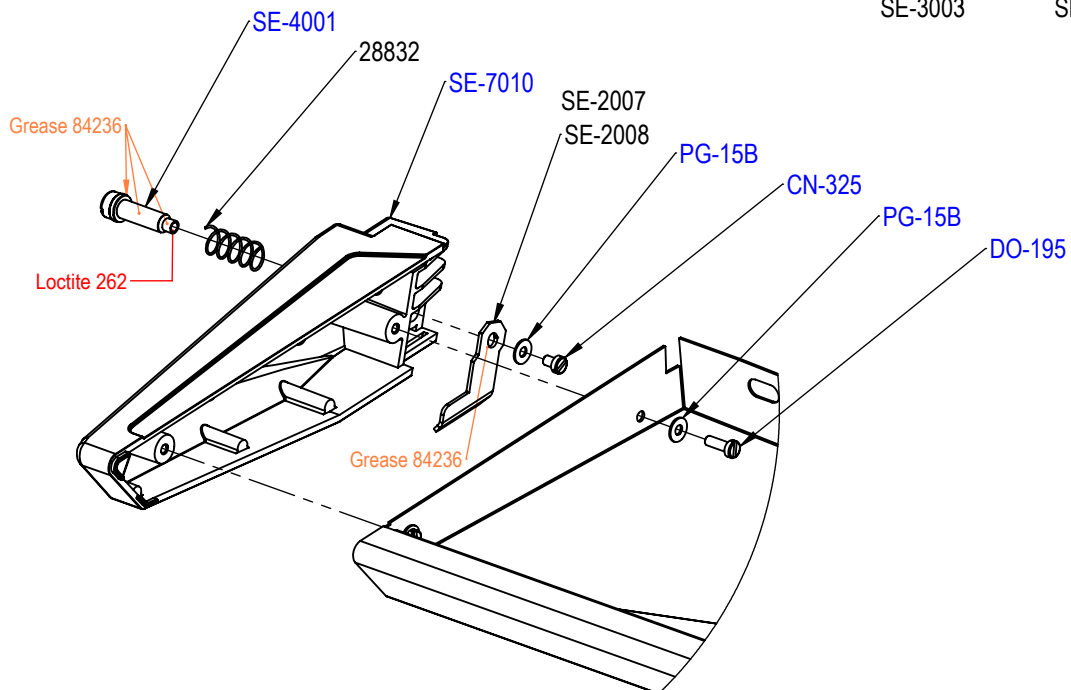


A

SE-3002  
SE-3003

SE-3023  
SE-3033

SE-7011



SE-4001

28832

SE-7010

SE-2007  
SE-2008

PG-15B

CN-325

PG-15B

DO-195

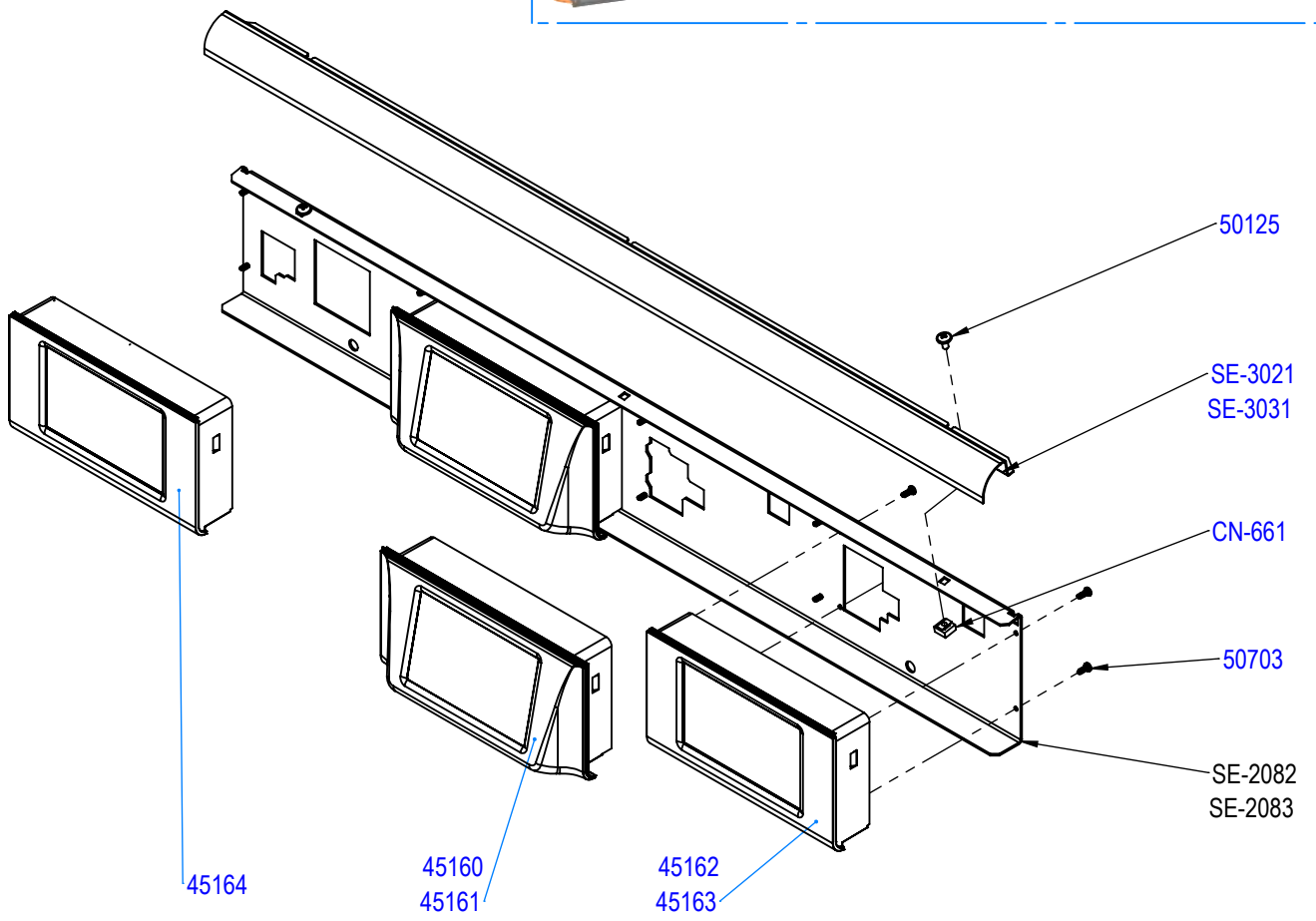
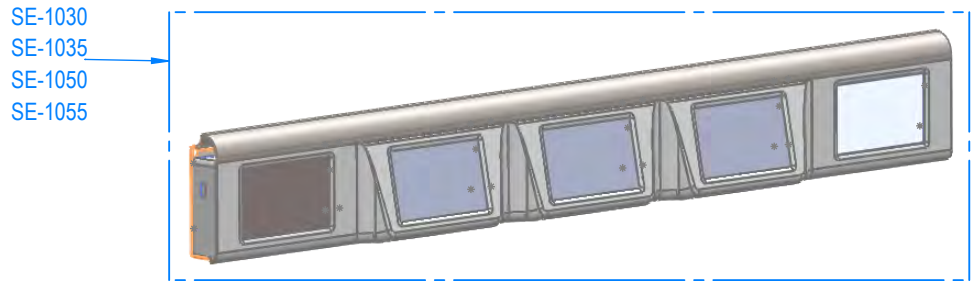
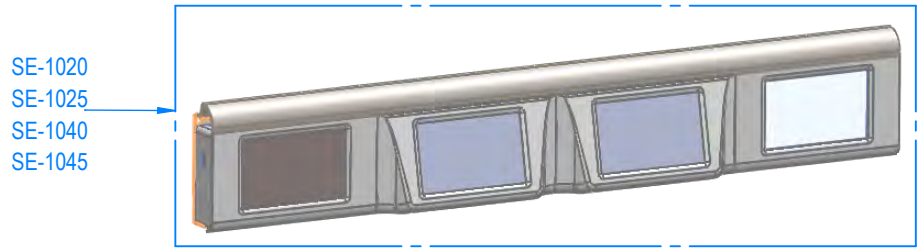
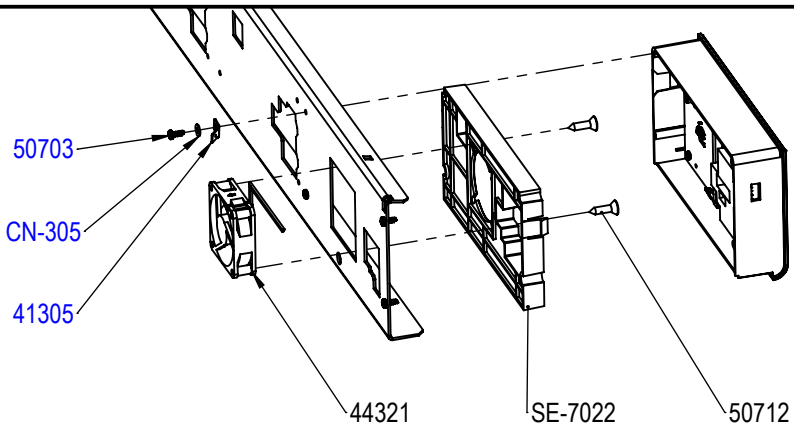
Grease 84236

Loctite 262

Grease 84236

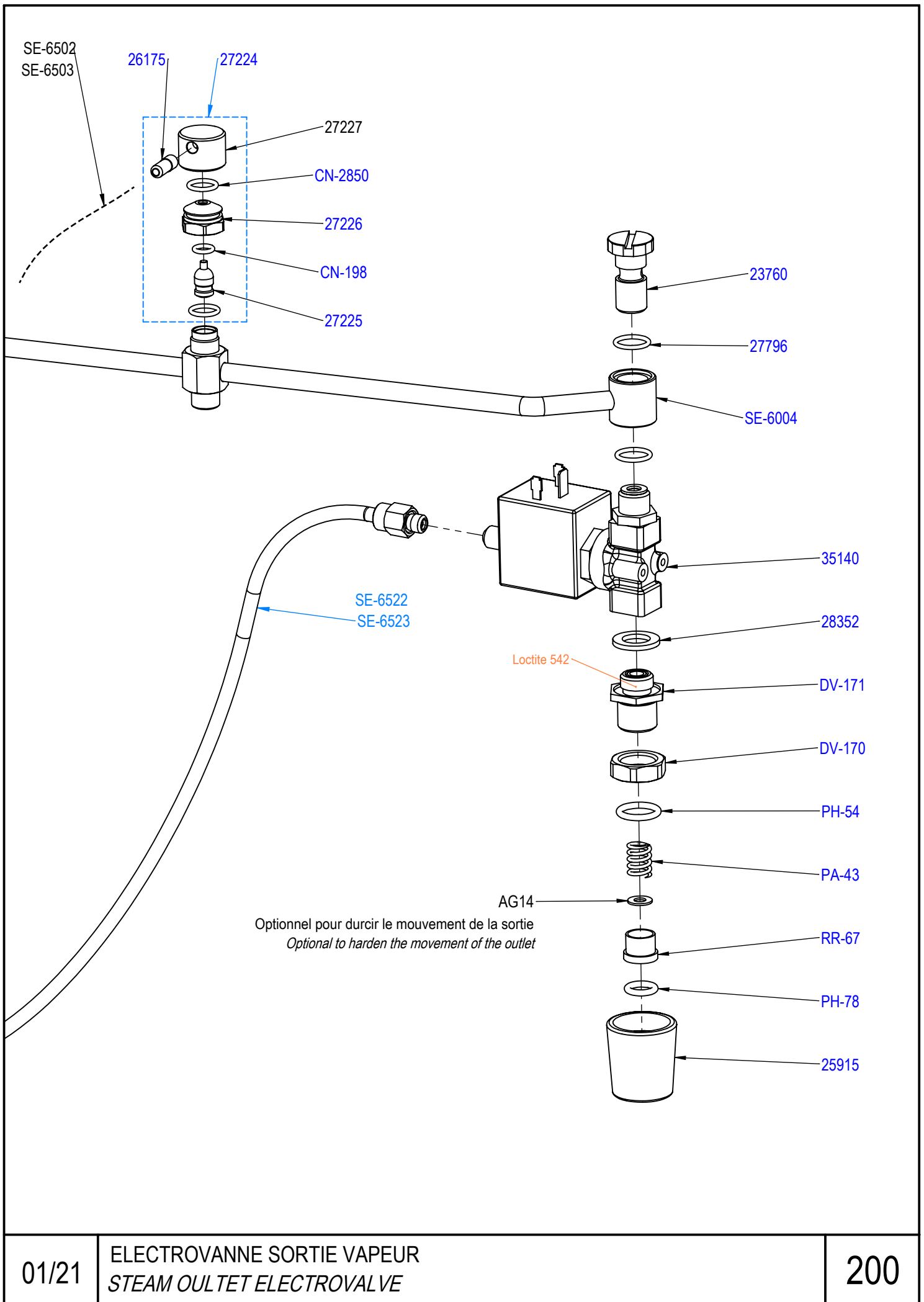
## PLANCHE - PLATE 120

REF	ELUX	DESIGNATIONS FR	DESIGNATIONS GB
41305	0UN751	FASTON MALE A VISSER	MALE FASTON PIN
44321	0UN354	VENTILATEUR CABLE AVEC CONNECTEUR	FAN WITH WIRE
45160		BOITIER GROUPE DOSAMAT EPIC	4 DOSES ELECTRONIC BOX
45161		BOITIER GROUPE 4 DOSES EPIC	DOSAMAT ELECTRONIC BOX
45162		BOITIER STEAMAIR EPIC	STEAMAIR ELECTRONIC BOX
45163		BOITIER EAU CHAUDE EPIC	HOT WATER ELECTRONIC BOX
45164		BOITIER BTA EPIC	BTA ELECTRONIC BOX
50125	0UNA68	VIS TB CRUCIFORME A EMBASE M4 x 8	CRUCIFORM SCREW M4 x 8
50703		VIS PARKER N6 9.5 SP CRUCIF.	PARKER SCREW
50712	0UN870	VIS CRUCIFORME 4.8 x 13	SCREW 4.8 X 13
CN-305	0UN253	RONDELLE EN LAITON M3	BRASS RING M3
CN-661	0UN184	ECROU CAGE M4, EP 1/1.6	INSERT NUT M4
SE-1020		CALANDRE EPIC 2GR 4 DOSES / EAU CHAUDE	4 DOSES / HOT WATER 2 UNITS FRONT PANEL
SE-1025		CALANDRE EPIC 2GR 4 DOSES / STEAMAIR	4 DOSES / STEAMAIR 2 UNITS FRONT PANEL
SE-1030		CALANDRE EPIC 3GR 4 DOSES / EAU CHAUDE	4 DOSES / HOT WATER 3 UNITS FRONT PANEL
SE-1035		CALANDRE EPIC 3GR 4 DOSES / STEAMAIR	4 DOSES / STEAMAIR 3 UNITS FRONT PANEL
SE-1040		CALANDRE EPIC 2GR DOSAMAT / EAU CHAUDE	DOSAMAT / HOT WATER 2 UNITS FRONT PANEL
SE-1045		CALANDRE EPIC 2GR DOSAMAT / STEAMAIR	DOSAMAT / STEAMAIR 2 UNITS FRONT PANEL
SE-1050		CALANDRE EPIC 3GR DOSAMAT / EAU CHAUDE	DOSAMAT / HOT WATER 3 UNITS FRONT PANEL
SE-1055		CALANDRE EPIC 3GR DOSAMAT / STEAMAIR	DOSAMAT / STEAMAIR 3 UNITS FRONT PANEL
SE-2082		SUPPORT CALANDRE 2GR	2 UNITS HOLDER FRONT PANEL
SE-2083		SUPPORT CALANDRE 3GR	3 UNITS HOLDER FRONT PANEL
SE-3021		DESSUS DE CALANDRE 2GR	2 UNITS FRONT PANEL TOP
SE-3031		DESSUS DE CALANDRE 3GR	3 UNITS FRONT PANEL TOP
SE-7022		COUVERCLE BOITIER	COVER BOX



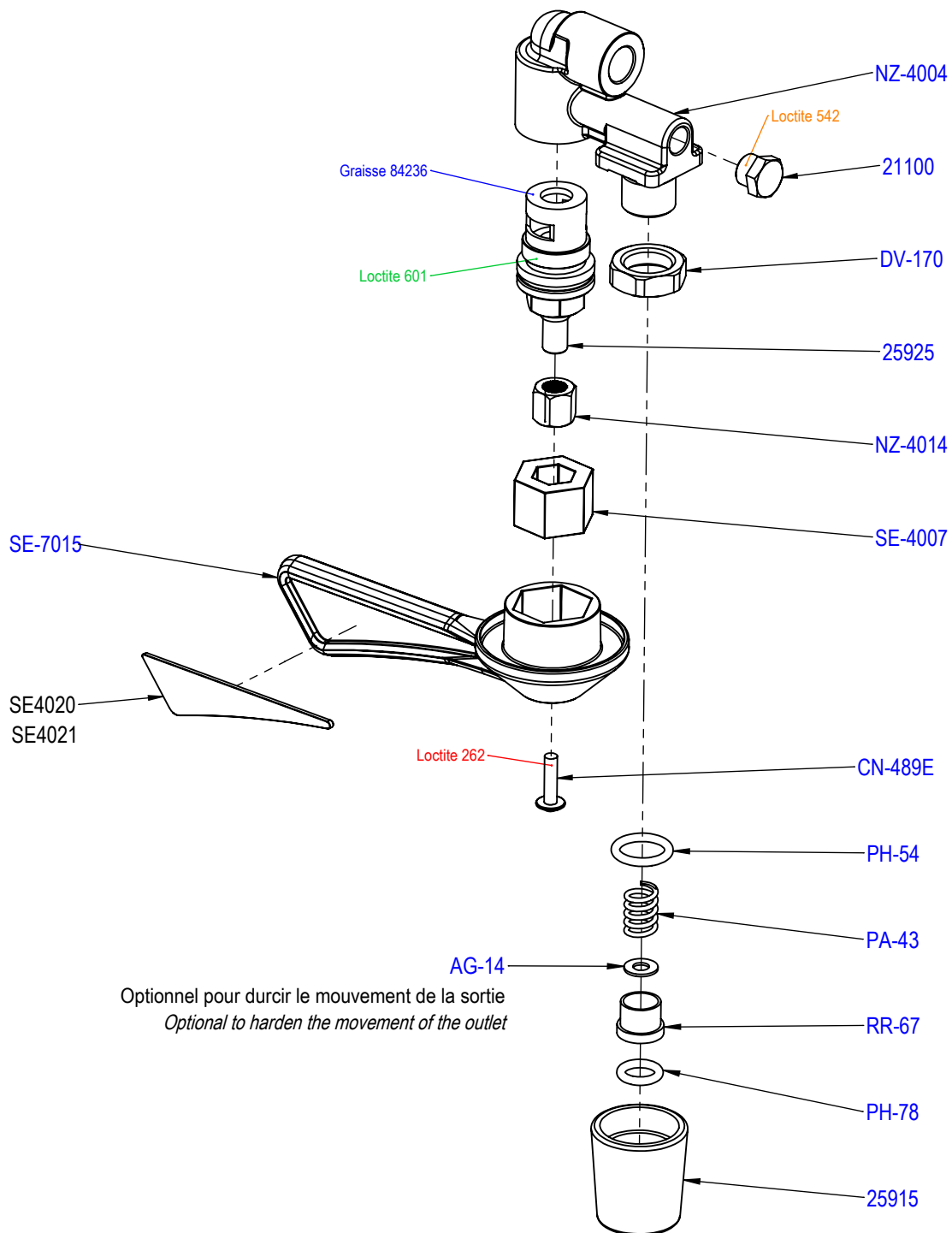
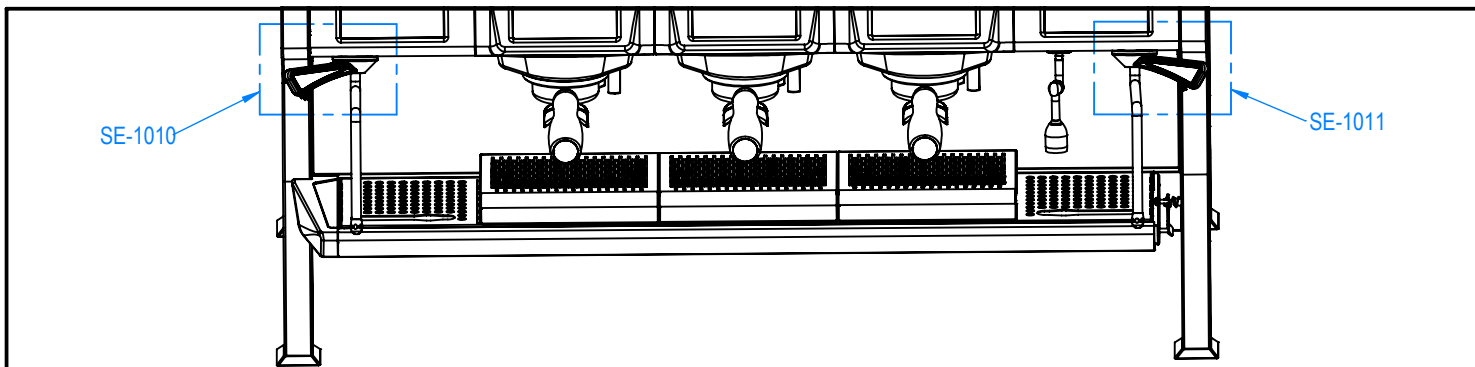
## PLANCHE - PLATE 200

<b>REF</b>	<b>ELUX</b>	<b>DESIGNATIONS FR</b>	<b>DESIGNATIONS GB</b>
23760	0UN291	AXE BANJO 1/4	BANJO SCREW 1/4
25915	0UN531	CACHE SORTIE EAU VAPEUR	COVER OUTLET STEAM WATER
26175	0UN483	EMBOUT M6	M6 NOZZLE
27224	0UN156	KIT VALVE DE PURGE	VACCUM VALVE KIT
27225	0UN556	TIGE VALVE SPHERIQUE	SPHERICAL ROD
27226	0UN491	ECROU VALVE DE PURGE	VACCUM VALVE NUT
27227	0UN432	CABOCHON VALVE DE PURGE	STOPPER PURGE VALVE
27796	0UN023	JOINT TORIQUE 1,78 X 12,42 NEXUS	O RING 1.78 X 12,42
28352	0UN017	JOINT PLAT 20X12X2 EPDM 70SH	GASKET 20X12X2
35140	0UN342	ELECTROVANNE 3/2 24V-50/60Hz	ELECTROVALVE 3/2 24V-50/60
AG-14	0UN176	JOINT CUIVRE M12	COPPER GASKET
CN-198	0UN178	JOINT TORIQUE 1,78X6,07 FKM	GASKET - 6.07 x 1.78
CN-2850	0UN180	JOINT TORIQUE 1,78X10,82	GASKET 10.82x1.78
DV-170	0UN645	ECROU CHROME	NUT 3/8
DV-171	0UN498	RACCORD 3/8-1/4	FITTING 3/8
PA-43	0UN199	RESSORT F15/10 L14,5 D10,5 P3	SPRING
PH-54	0UN133	JOINT TORIQUE 2,62X13,95 EPDM	O RING - 13.95 x 2.62
PH-78	0UN202	JOINT TORIQUE 2,62X9,13 EPDM	O RING - 9,13 X 2,62
RR-67	0UN210	EMBOUT LAITON	BRASS END
SE-6004		TUBE EV VAPEUR	STEAM ELECTROVALVE PIPE
SE-6502		TUBE VALVE DE PURGE 2GR	2 UNITS VACCUM VALVE PIPE
SE-6503		TUBE VALVE DE PURGE 3GR	3 UNITS VACCUM VALVE PIPE
SE-6522		TUBE DECOMPRESSION EV VAPEUR 2GR	2 UNITS DECOMPRESSION PIPE
SE-6523		TUBE DECOMPRESSION EV VAPEUR 3GR	3 UNITS DECOMPRESSION PIPE



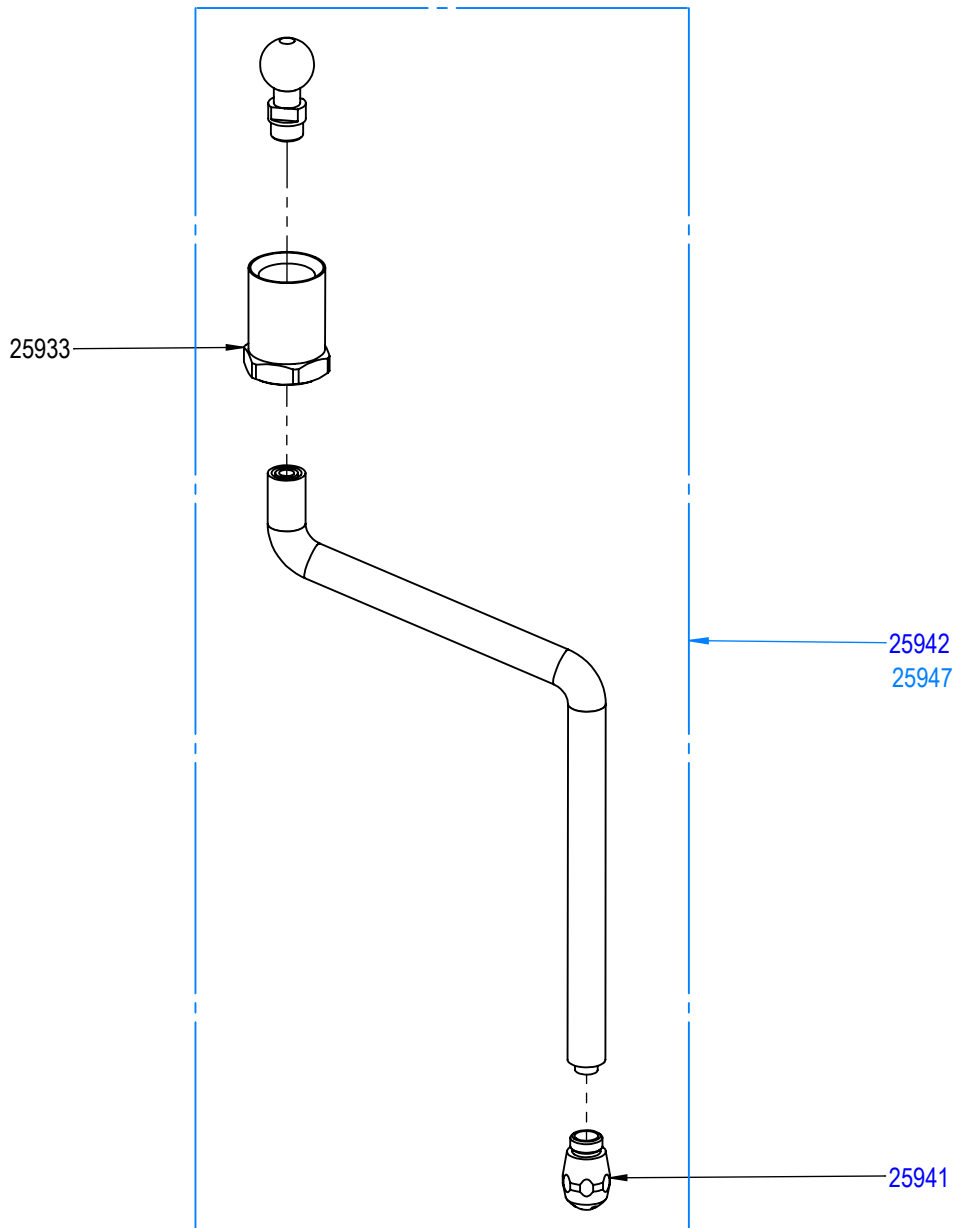
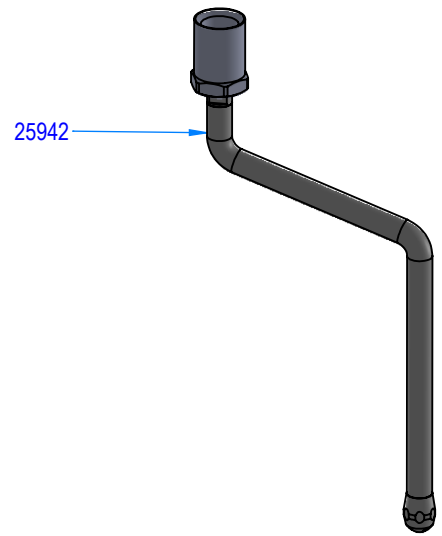
## PLANCHE - PLATE 201

<b>REF</b>	<b>ELUX</b>	<b>DESIGNATIONS FR</b>	<b>DESIGNATIONS GB</b>
21100	0UN994	BOUCHON 1/8	PLUG 1/8
25915	0UN531	CACHE SORTIE EAU VAPEUR	COVER OUTLET STEAM WATER
25925		CARTOUCHE CERAMIQUE	CERAMIC CARTRIDGE
AG-14	0UN176	JOINT CUIVRE M12	COPPER GASKET
CN-489E		VIS INOX CHC 4 x 16 A EMBASE	SCREW M4 X 16 WITH BASE
DV-170	0UN645	ECROU CHROME	NUT 3/8
NZ-4004		ROBINET VAPEUR	STEAM TAP
NZ-4014		INSERT POIGNEE ROBINET	STEAM HANDLE INSERT
PA-43	0UN199	RESSORT F15/10 L14,5 D10,5 P3	SPRING
PH-54	0UN133	JOINT TORIQUE 2,62X13,95 EPDM	O RING - 13.95 x 2.62
PH-78	0UN202	JOINT TORIQUE 2,62X9,13 EPDM	O RING - 9,13 X 2,62
RR-67	0UN210	EMBOUT LAITON	BRASS END
SE-1010		ENSEMBLE ROBINET GAUCHE	TAP ASSEMBLY LEFT
SE-1011		ENSEMBLE ROBINET DROIT	TAP ASSEMBLY RIGHT
SE-4007		INSERT POIGNEE PEEK	INSERT HANDLE PEEK
SE-4020		STICKER POIGNEE EPIC DROITE NOIR	BLACK STICKER HANDLE RIGHT EPIC
SE-4021		STICKER POIGNEE EPIC GAUCHE NOIR	BLACK STICKER HANDLE LEFT EPIC
SE-7015		POIGNEE VAPEUR EPIC	STEAM HANDLE



**PLANCHE - PLATE 215**

<b>REF</b>	<b>ELUX</b>	<b>DESIGNATIONS FR</b>	<b>DESIGNATIONS GB</b>
25933		ECROU POUR TUBE	<i>NUT FOR PIPE</i>
25941		EMBOUT INOX 4 TROUS	<i>4 HOLES END PIPE</i>
25942		SORTIE VAPEUR COMPLETE INOX COLD TOUCH	<i>COLD TOUCH STEAM OUTLET STAINLESS</i>
25947		SORTIE VAPEUR COMPLETE NOIRE COLD TOUCH	<i>COLD TOUCH STEAM OUTLET BLACK</i>



**PLANCHE - PLATE 238**

<b>REF</b>	<b>ELUX</b>	<b>DESIGNATIONS FR</b>	<b>DESIGNATIONS GB</b>
25905		SUPPORT DE SONDE	PROBE SUPPORT
25907	0UN919	TUBE PTFE STEAMAIR	PTFE STEAMAIR PIPE
25909	0UN154	EMBOUT PTFE 12 TROUS	12 HOLES END PIPE
CN-436	0UN145	JOINT TORIQUE 1,78X8,73 EPDM	GASKET 8,73 X 1,78
NZ-1020		SORTIE STEAMAIR STELLA	STELLA STEAMAIR OUTLET
NZ-8001		SONDE VAPEUR THERMOSTATEE	THERMOSTATED STEAM PROBE
PC-38	0UN200	VIS STHC M5X8 BOUT POINTU	POINT END SCREW
RO-55	0UN420	BARILLET	BARREL
RO-57	0UN951	MELANGEUR EN LAITON	MIXER
RO-58	0UN209	POUSSOIR A BILLE	THRUST BALL BEARING
RO-59A		TUBE SORTIE VAPEUR SP	CHROME COPPER TUBE
RO-68	0UNA01	CACHE BARILLET	BARREL COVER

RO-59A

NZ-1020

CN-436

RO-58

RO-55

PC-38

RO-57

RO-68

NZ-8001

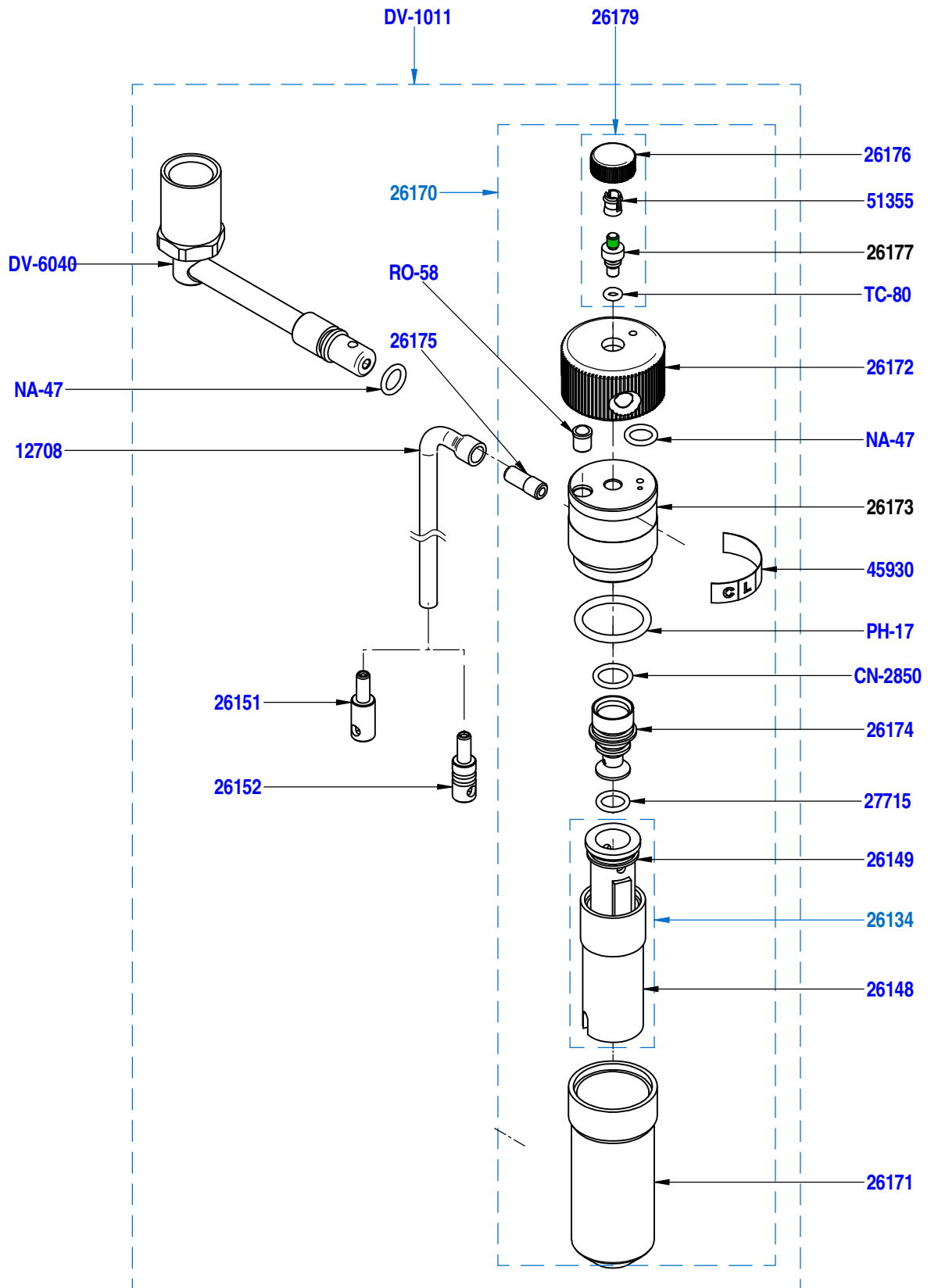
25907

25905

25909

**PLANCHE - PLATE 246**

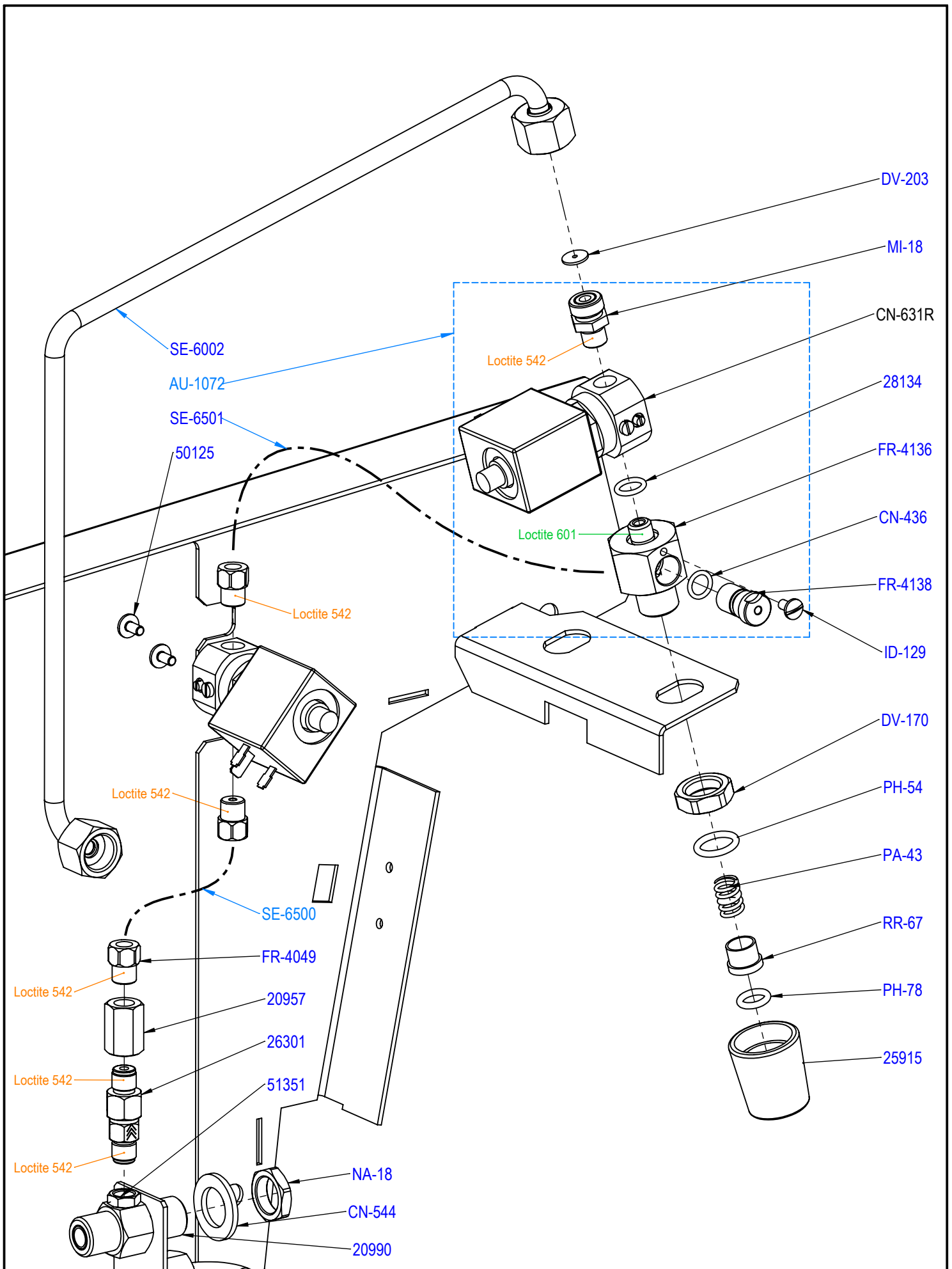
<b>REF</b>	<b>ELUX</b>	<b>DESIGNATIONS FR</b>	<b>DESIGNATIONS GB</b>
12708	0UN073	TUBE SILICONE CAPPUCCINATORE L	CAPPUCCINATORE SILICONE PIPE
26134	0UN830	CAPPUCCINO IDEA	CAPPUCCINATORE
26148	0UN448	BRISE JET	ANTI PLASH PLUG
26149	0UN565	MOUSSEUR	FROTHER
26151	0UN426	REDUCTEUR CAPPUCCINATORE D1.7	CAPPUCCINATORE REDUCER D1.7
26152	0UN504	REDUCTEUR CAPPUCCINATORE D2	CAPPUCCINATORE REDUCER D2
26170		SORTIE CAPPUCCINATORE LC	LC CAPPUCCINATORE OUTLET
26171	0UN438	BEC VERSEUR	SPOUT
26172		MANETTE	LEVER
26173		CORPS	BODY
26174	0UN355	MELANGEUR	MIXER
26175	0UN483	EMBOUT M6	M6 NOZZLE
26176		MOLETTE VIS	SCREW PLUG
26177		AXE M4	M4 AXLE
26179		VIS M4 COMPLET	WHOLE M4 SCREW
27715	0UNA1S	JOINT TORIQUE 1,78X8,73 SILICONE	GASKET 8,73 X 1,78
45930		ETIQUETTE LC	LC STICKER
51255	0UN971	VIS TH M6 X 10 INOX	S. STEEL SCREW M6 X 10
CN-2850	0UN180	JOINT TORIQUE 1,78X10,82	GASKET 10.82x1.78
DV-1011		KIT CAPPUCCINATORE COMPLET	WHOLE CAPPUCCINATORE KIT
DV-6040		TUBE CUIVRE LC	LC COPPER PIPE
NA-47		JOINT TORIQUE 1.78X7.66 EPDM	O RING - 1.78 X 7.66 EPDM
PH-17	0UNA03	JOINT TORIQUE 2,62X20,63 EPDM	GASKET 20,63 X 2,62
RO-58	0UN209	POUSSOIR A BILLE	THRUST BALL BEARING
TC-80	0UN211	JOINT TORIQUE 1,78X2,90 FKM	GASKET 1.78X2.90 FKM



 Loctite 601

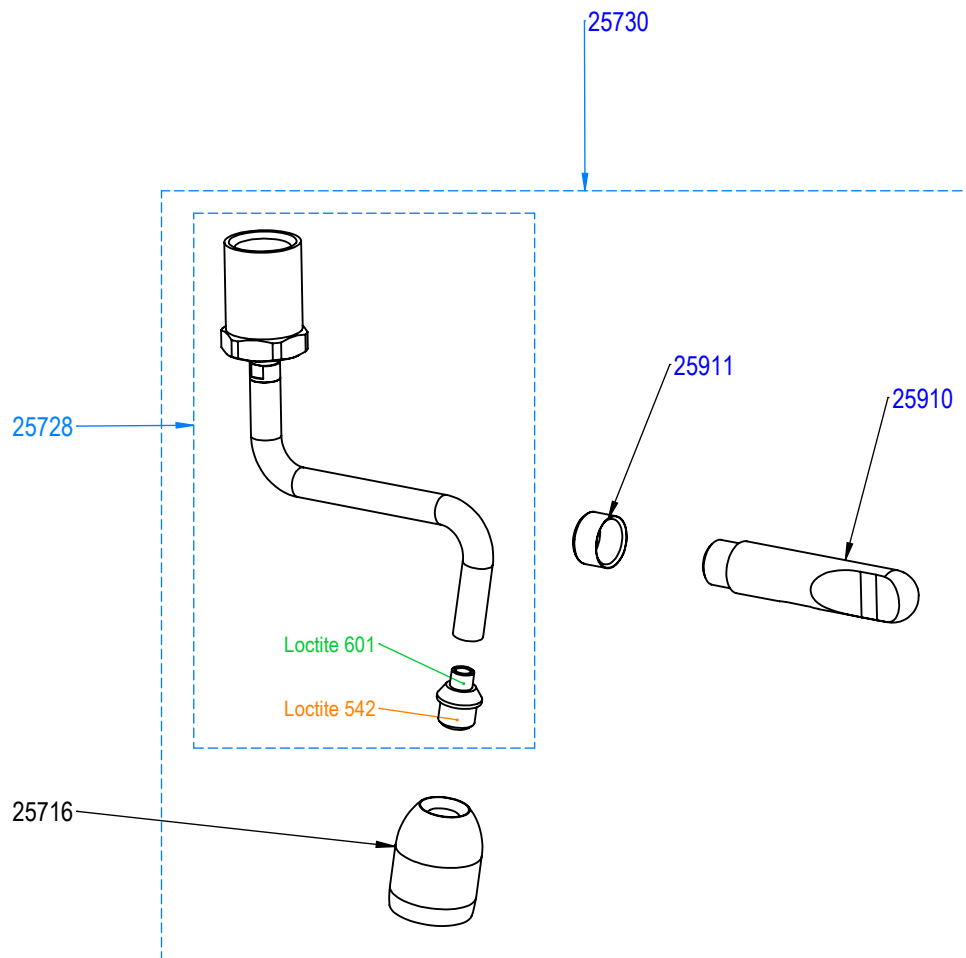
## PLANCHE - PLATE 250

<b>REF</b>	<b>ELUX</b>	<b>DESIGNATIONS FR</b>	<b>DESIGNATIONS GB</b>
20957	0UN372	RACCORD DROIT 1/8G	FITTING 1/8G
20990		RACCORD 3/8M 3/8M 1/8F	FITTING 3/8M 3/8M 1/8F
25915	0UN531	CACHE SORTIE EAU VAPEUR	COVER OUTLET STEAM WATER
26301	0UN030	CLAPET ANTI-RETOUR 1/8	NO RETURN VALVE 1/8
28134	0UN019	JOINT TORIQUE 2X9,5 NEXUS	O RING 2X9,5
50125	0UNA68	VIS TB CRUCIFORME A EMBASE M4 x 8	CRUCIFORM SCREW M4 x 8
51351	0UN296	ECROU 1/8	NUT 1/8
AU-1072		EV SORTIE EAU CHAUDE MITIGEE	EV HOT WATER MIXED
CN-436	0UN145	JOINT TORIQUE 1,78X8,73 EPDM	GASKET 8,73 X 1,78
CN-544	0UN901	RONDELLE ACIER ZN 17 x 28 x 2	WASHER
CN-631R	0UN029	EV 2V REGL. 24V-50/60Hz	ELECTROVALVE 2W ADJ. 24V-50/60Hz
DV-170	0UN645	ECROU CHROME	NUT 3/8
DV-203	0UN968	JOINT PLAT CUIVRE 1/4 D:2mm	WASHER 1/4 D:2
FR-4049	0UN921	RACCORD 1/8M M8 X 100	FITTING 1/8M M8 X 100
FR-4136	0UN375	RACCORD SORTIE EAU MITIGEE	MIXED WATER FITTING
FR-4138	0UN923	BOUCHON MELANGEUR	MIXER CAP
ID-129	0UNA5Z	VIS INOX POELIER VM 4 X 8	SCREW 4 X 8
MI-18	0UN935	RACCORD MM 1/4 - 1/8 G	FITTING - 1/8 x 1/4
NA-18	0UN697	ECROU LAITON 3/8 6 mm	3/8 NUT
PA-43	0UN199	RESSORT F15/10 L14,5 D10,5 P3	SPRING
PH-54	0UN133	JOINT TORIQUE 2,62X13,95 EPDM	O RING - 13.95 x 2.62
PH-78	0UN202	JOINT TORIQUE 2,62X9,13 EPDM	O RING - 9,13 X 2,62
RR-67	0UN210	EMBOUT LAITON	BRASS END
SE-6002		TUBE MITIGEUR EAU CHAUDE	HOT WATER MIXER PIPE
SE-6500		TUBE PTFE L:180	PTFE PIPE
SE-6501		TUBE PTFE MITIGEUR	MIXER PTFE PIPE



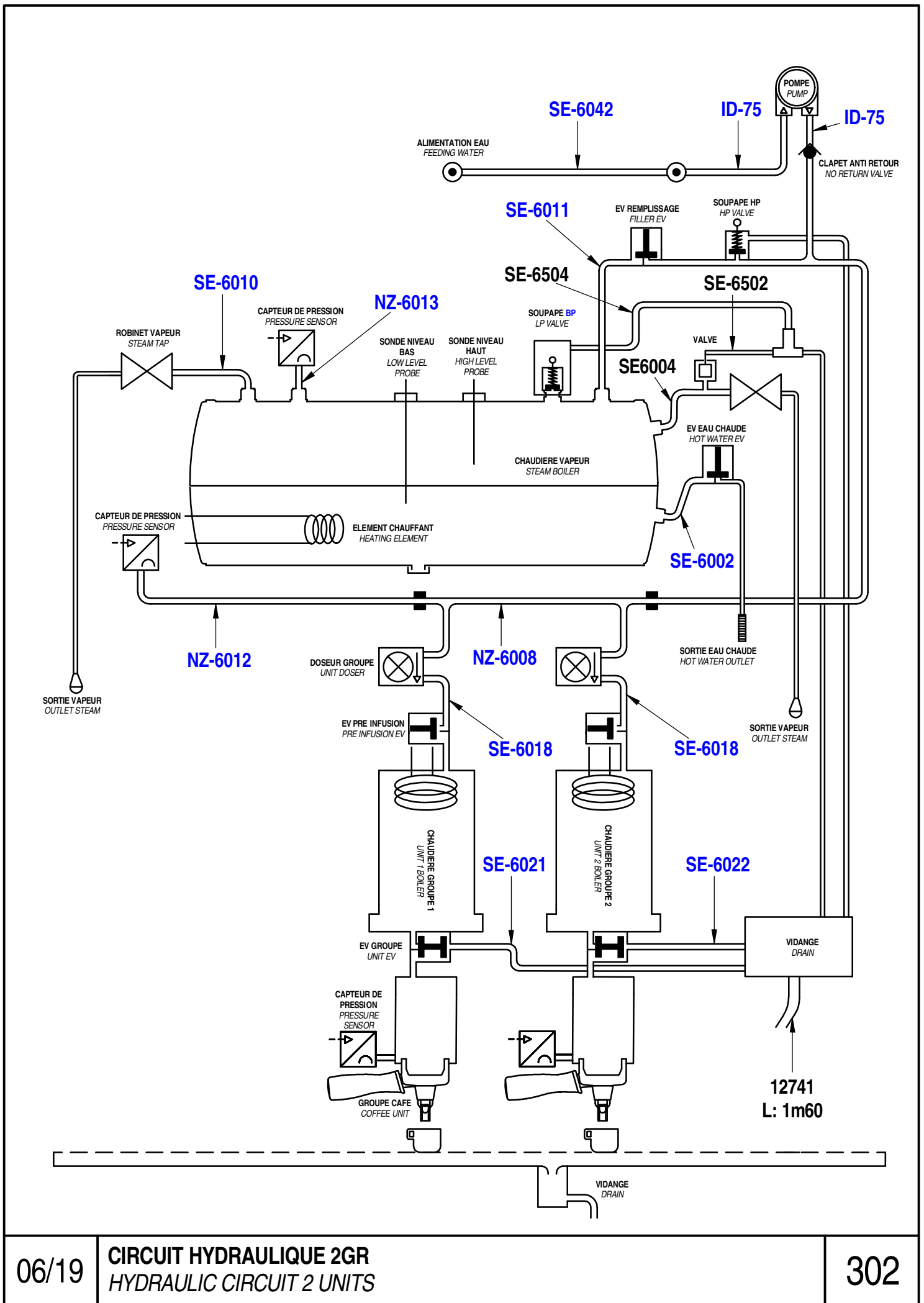
**PLANCHE - PLATE 261**

<b>REF</b>	<b>ELUX</b>	<b>DESIGNATIONS FR</b>	<b>DESIGNATIONS GB</b>
25716		BRISE JET POUR TUBE INOX EAU CHAUDE	<i>WINDSHIELD FOR HOT WATER PIPE</i>
25728		TUBE SORTIE EAU CHAUDE INOX	<i>HOT WATER OUTLET PIPE</i>
25730		SORTIE EAU CHAUDE INOX COMPLETE	<i>HOT WATER OUTLET</i>
25910	0UN523	POIGNEE SORTIE EAU CHAUDE ET VAPEUR	<i>HOT WATER AND STEAM OUTLET HANDLE</i>
25911	0UN543	BAGUE POUR POIGNEE EAU ET VAPEUR	<i>WATER AND STEAM HANDLE COLLAR</i>



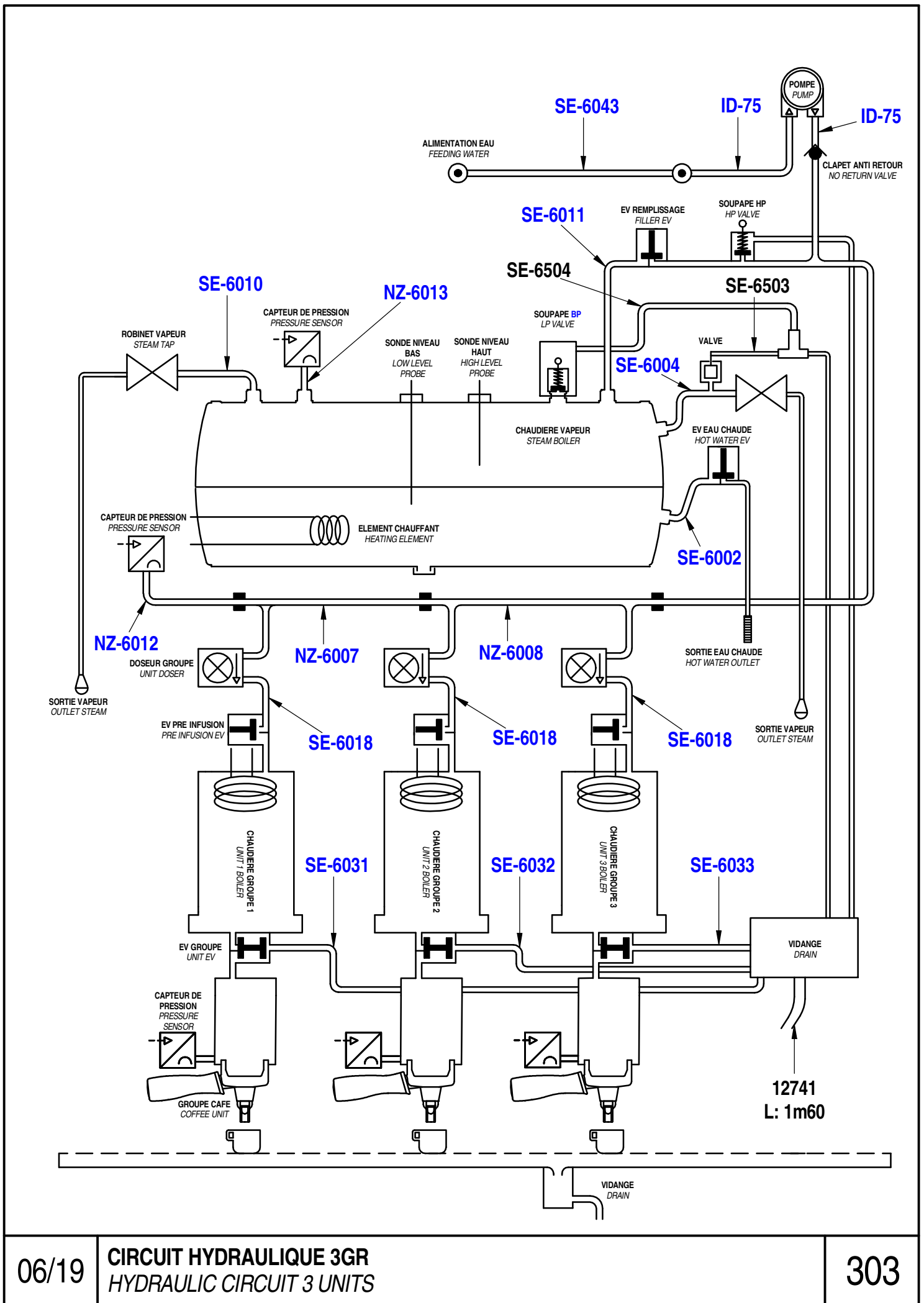
## PLANCHE - PLATE 302

<b>REF</b>	<b>ELUX</b>	<b>DESIGNATIONS FR</b>	<b>DESIGNATIONS GB</b>
12741		TUBE SILICONE Ø10-Ø16	SILICONE PIPE Ø10-Ø16
ID-75	OUN347	TUBE FLEXIBLE COUDE ARME INOX	FLEXIBLE PIPE
NZ-6008		RAMPE DOSEUR ET ENTREE EAU	WATER FEEDING & DOSER PIPE
NZ-6012		TUBE CAPTEUR RESEAU	NETWORK SENSOR PIPE
NZ-6013		TUBE CAPTEUR VAPEUR	STEAM SENSOR PIPE
SE-6002		TUBE MITIGEUR EAU CHAUDE	HOT WATER MIXER PIPE
SE-6004		TUBE EV VAPEUR	STEAM ELECTROVALVE PIPE
SE-6010		TUBE VAPEUR ROBINET	STEAM TAP PIPE
SE-6011		TUBE REMPLISSAGE CHAUDIERE	BOILER FILLING PIPE
SE-6018		TUBE ALIMENTATION GROUPE CAFE	ALIMENTATION GROUP PIPE
SE-6021		TUBE DECOMPRESSION GR1 2GR	2 UNITS DECOMPRESSION PIPE GROUP 1
SE-6022		TUBE DECOMPRESSION GR2 2GR	2 UNITS DECOMPRESSION PIPE GROUP 2
SE-6042		TUBE ENTREE D'EAU 2GR	2 UNITS INLET WATER PIPE
SE-6502		TUBE VALVE DE PURGE 2GR	2 UNITS VACCUM VALVE PIPE
SE-6504		TUBE DECOMPRESSION SOUPAPE BP	LP VALVE DECOMPRESSION PIPE



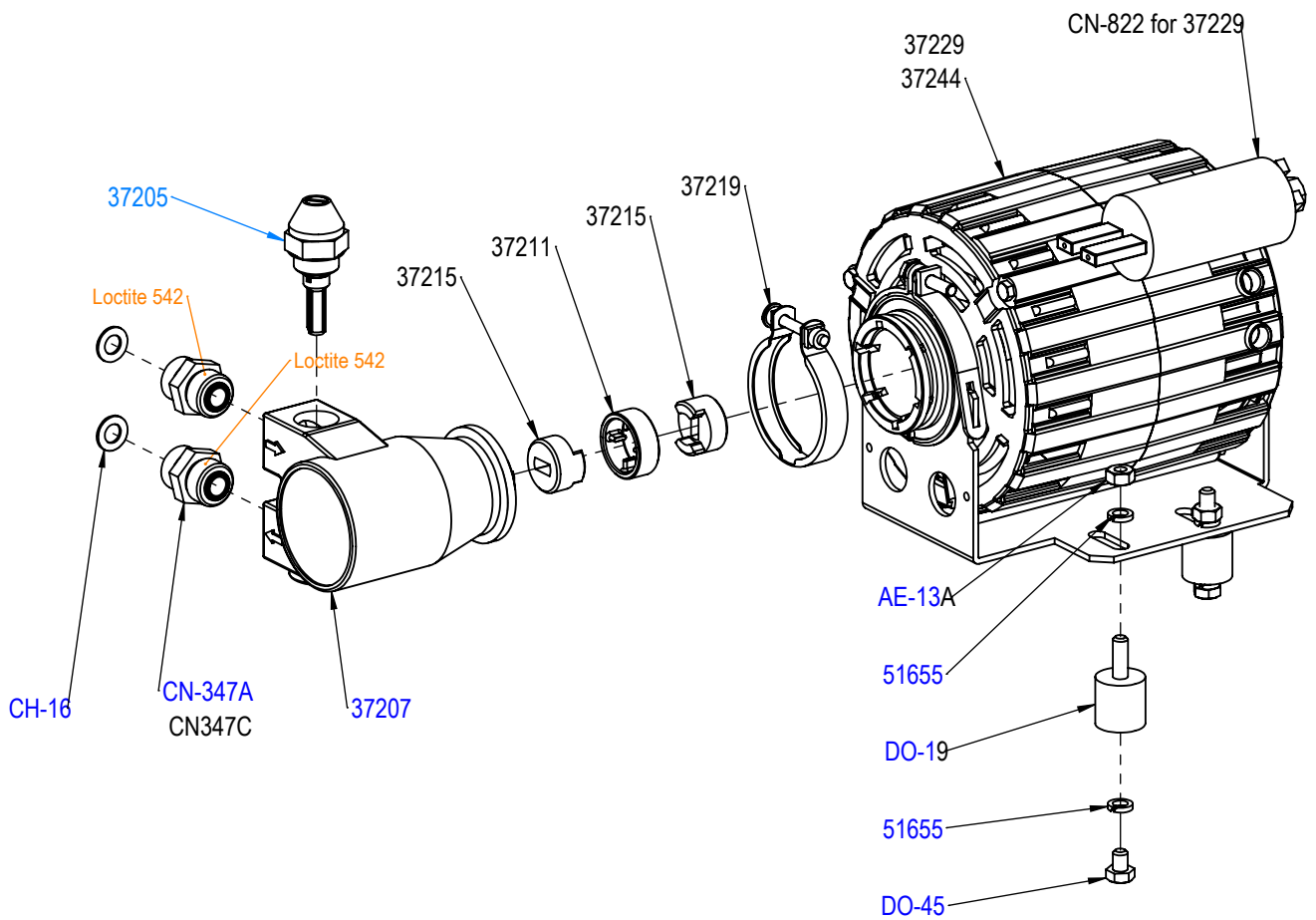
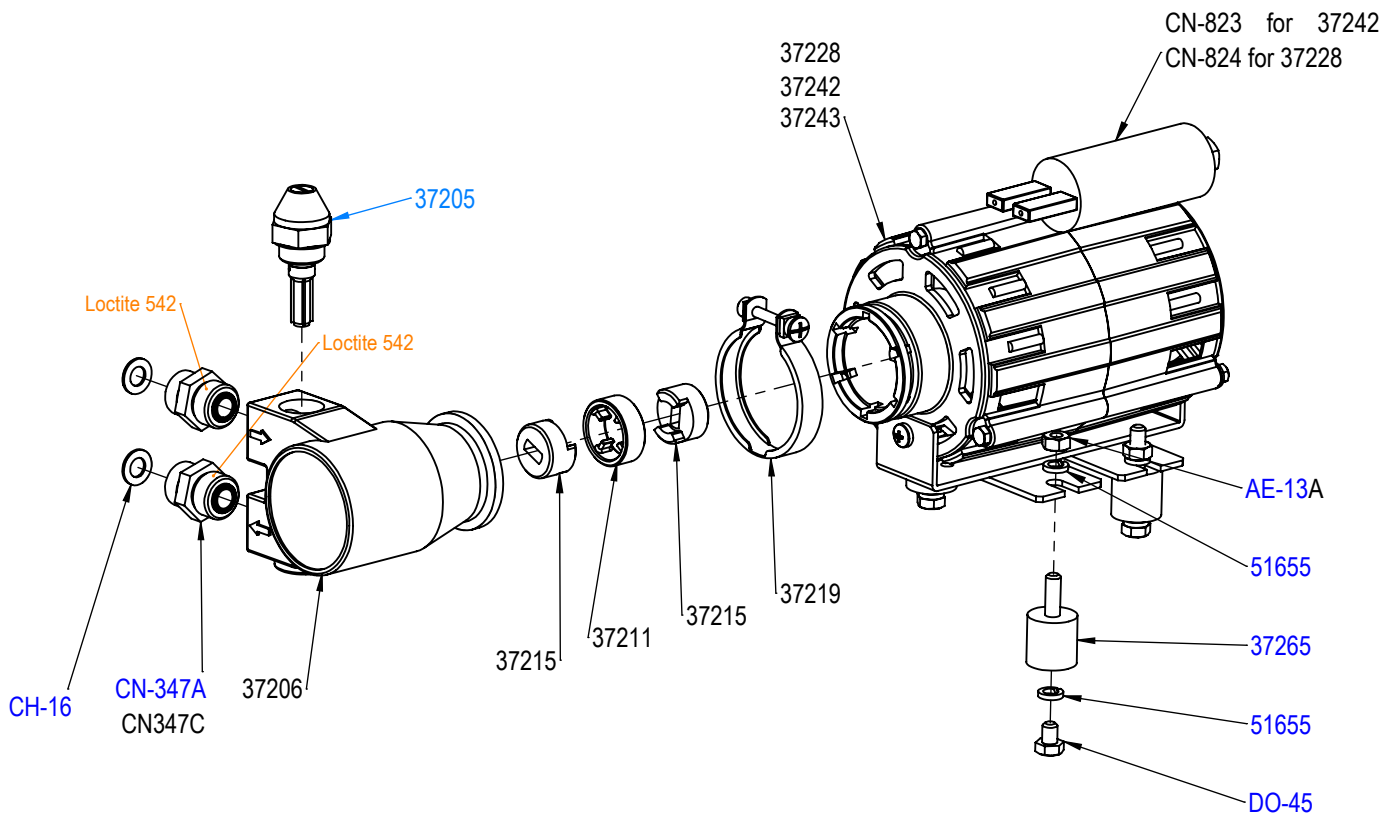
## PLANCHE - PLATE 303

<b>REF</b>	<b>ELUX</b>	<b>DESIGNATIONS FR</b>	<b>DESIGNATIONS GB</b>
12741		TUBE SILICONE Ø10-Ø16	SILICONE PIPE Ø10-Ø16
ID75	OUN347	TUBE FLEXIBLE COUDE ARME INOX	FLEXIBLE PIPE
NZ-6007		RAMPE DOSEUR EAU	WATER DOSER PIPE
NZ-6008		RAMPE DOSEUR ET ENTREE EAU	WATER FEEDING & DOSER PIPE
NZ-6012		TUBE CAPTEUR RESEAU	NETWORK SENSOR PIPE
NZ-6013		TUBE CAPTEUR VAPEUR	STEAM SENSOR PIPE
SE-6002		TUBE MITIGEUR EAU CHAUDE	HOT WATER MIXER PIPE
SE-6004		TUBE EV VAPEUR	STEAM ELECTROVALVE PIPE
SE-6010		TUBE VAPEUR ROBINET	STEAM TAP PIPE
SE-6011		TUBE REMPLISSAGE CHAUDIERE	BOILER FILLING PIPE
SE-6018		TUBE ALIMENTATION GROUPE CAFE	ALIMENTATION GROUP PIPE
SE-6031		TUBE DECOMPRESSION GR1 3GR	3 UNITS DECOMPRESSION PIPE GROUP 1
SE-6032		TUBE DECOMPRESSION GR2 3GR	3 UNITS DECOMPRESSION PIPE GROUP 2
SE-6033		TUBE DECOMPRESSION GR3 3GR	3 UNITS DECOMPRESSION PIPE GROUP 3
SE-6043		TUBE ENTREE D'EAU 3GR	3 UNITS INLET WATER PIPE
SE-6503		TUBE VALVE DE PURGE 3GR	3 UNITS VACCUM VALVE PIPE
SE-6504		TUBE DECOMPRESSION SOUPAPE BP	LP VALVE DECOMPRESSION PIPE



## PLANCHE - PLATE 320

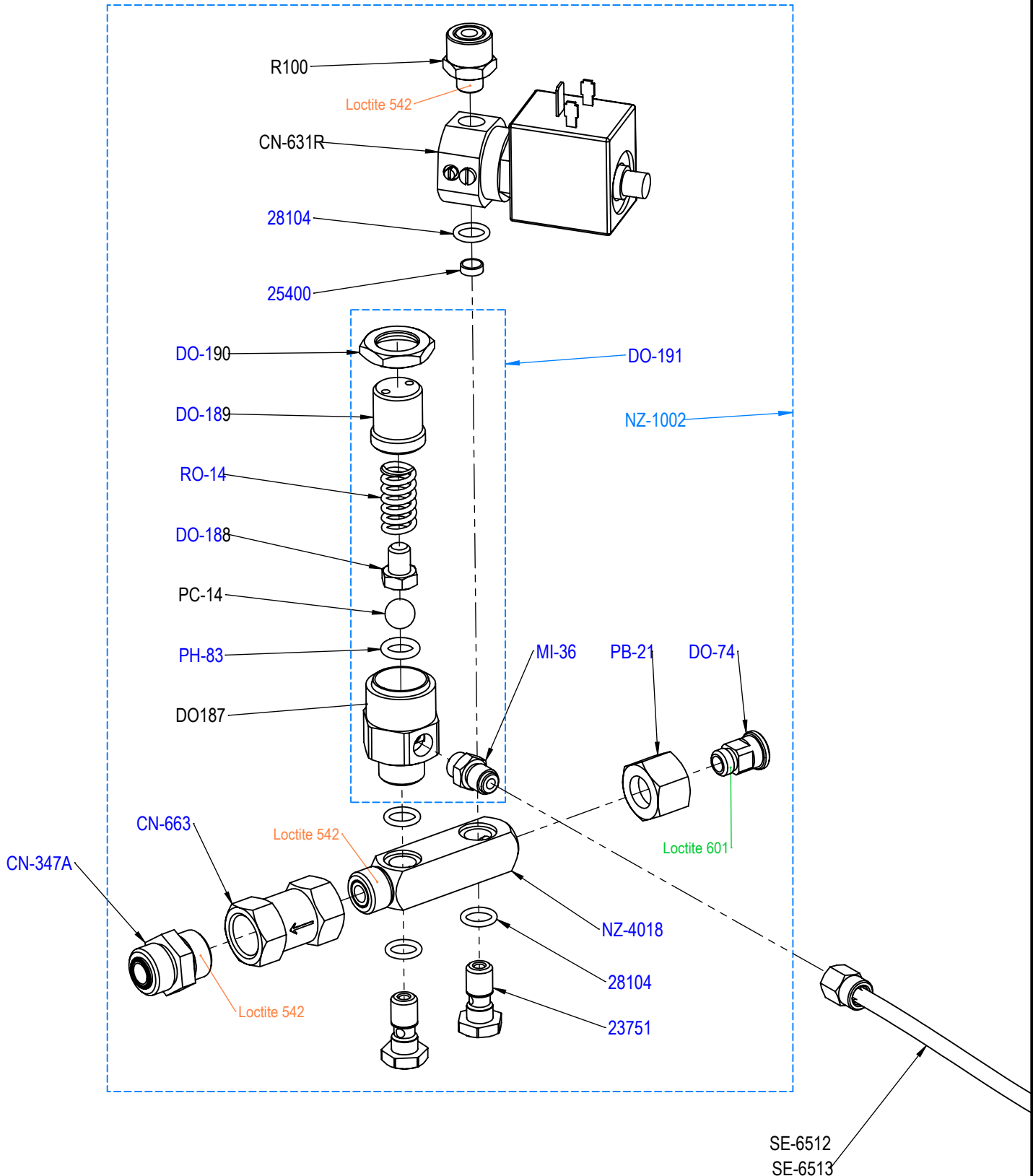
REF	ELUX	DESIGNATIONS FR	DESIGNATIONS GB
37205	0UN899	BY PASS POUR POMPE FLUIDOTECH	BY PASS FOR FLUIDOTECH PUMP
37206	0UN382	POMPE ROTATIVE 100L/H SANS PLOMB	UNLEADED PUMP 100L/H
37207	0UN056	POMPE ROTATIVE 200L/H SANS PLOMB	UNLEADED PUMP 200L/H
37217		ENTRETOISE POUR ACCOUP. MOTEUR-POMPE	SPACER 48 YZ
37218		ACCOUPLLEMENT MALE/FEMELLE MOTEUR-POMPE	ACCOUPLLEMENT MALE/FEMALE
37219		COLLIER POUR POMPE FLUIDOTECH	CLAMP
37222		KIT ACCOUPLEMENT MOTEUR POMPE	GANGING RING KIT
37228		MOTEUR POMPE 120W 220-230V 50-60Hz UL	PUMP MOTOR 120W 220-230V 50-60Hz UL
37229		MOTEUR POMPE 165W 220-230V 50-60Hz UL	PUMP MOTOR 165W 220-230V 50-60Hz UL
37242		MOTEUR POMPE 120W 110V 60Hz - UL	PUMP MOTOR 120W 110V 60Hz - UL
37243		MOTEUR POMPE 120W 220-230V 50-60Hz	PUMP MOTOR 120W 220-230V 50-60Hz
37244		MOTEUR POMPE 165W 220-230V 50-60Hz	PUMP MOTOR 165W 220-230V 50-60Hz
51655	0UNA5W	RONDELLE GROWER DE 6	WASHER 6
AE-13A	0UNA42	ECROU INOX Hu 6-100	NUT M6
CH-16	0UN177	JOINT CUIVRE RECUIT 3/8	WASHER - COPPER - 3/8
CN-347A	0UN558	RACCORD D'ALIM. 3/8 - 3/8 MM	FITTING - 3/8 X 3/8 -
CN-347C		RACCORD D'ALIM 3/8 3/8	FITTING 3/8 3/8
CN-822		CONDENSATEUR UL RPM POUR 37229	UL CAPACITOR
CN-823		CONDENSATEUR UL RPM POUR 37242	UL CAPACITOR
CN-824		CONDENSATEUR UL RPM POUR 37228	UL CAPACITOR
DO-19	0UN687	PLOT APB 20-20	SILENTBLOC
DO-45		VIS ACIER ZN TH 6 X 8	SCREW 6 X 8



VERSION 2

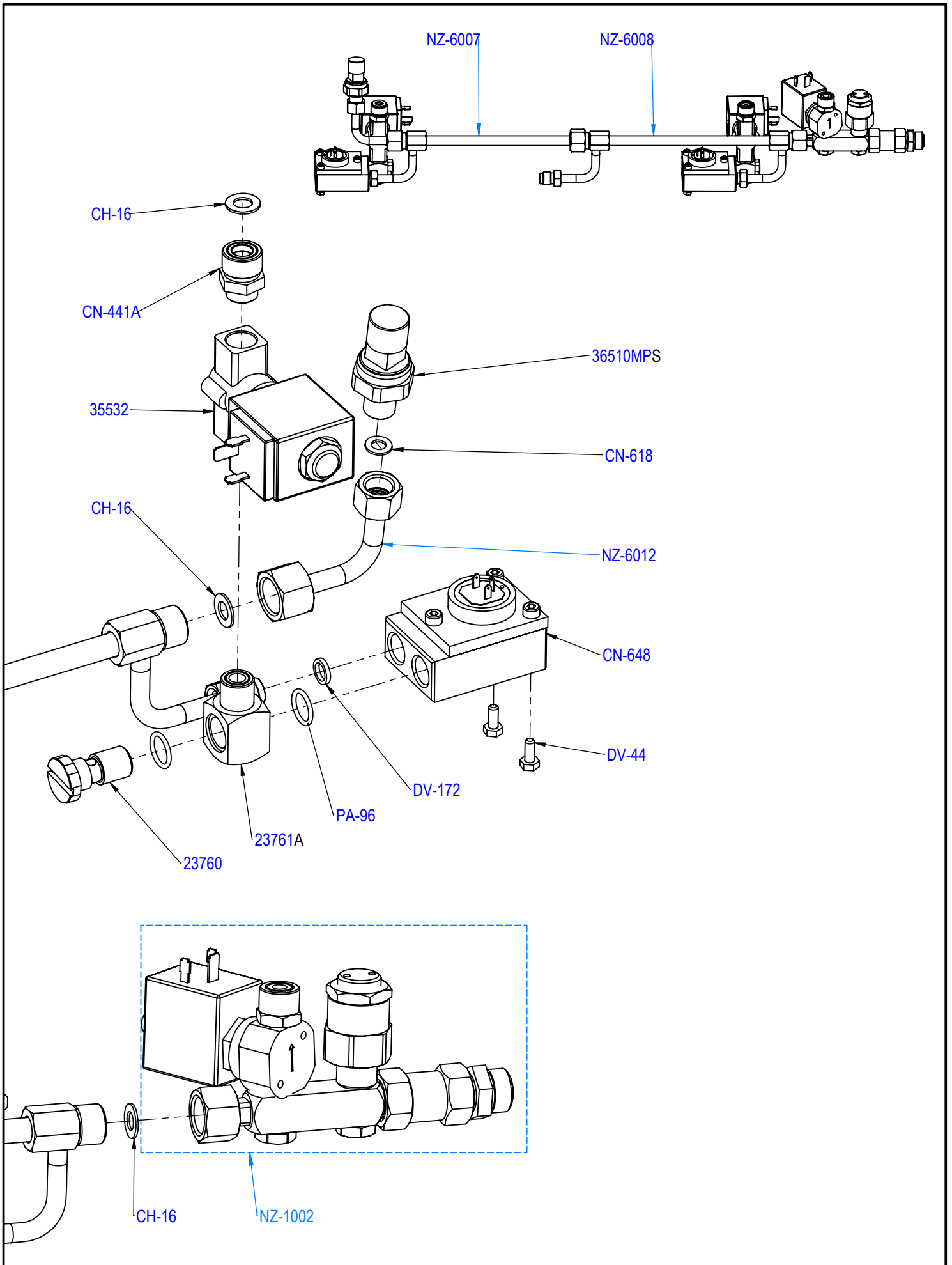
## PLANCHE - PLATE 330

<b>REF</b>	<b>ELUX</b>	<b>DESIGNATIONS FR</b>	<b>DESIGNATIONS GB</b>
23751	0UN088	AXE DE BANJO 1/8	BANJO SCREW
25400	0UN124	FILTRE INOX	FILTER
28104	0UN146	JOINT TORIQUE 2X9,5 FKM 80SH	GASKET 2X9,5
CN-347A	0UN558	RACCORD D'ALIM. 3/8 - 3/8 MM	FITTING - 3/8 X 3/8 -
CN-631R	0UN029	EV 2V REGL. 24V-50/60Hz	ELECTROVALVE 2W ADJ. 24V-50/60Hz
CN-663	0UN058	CLAPET ANTI RETOUR COMPACT	VALVE - NON-RETURN
DO-187	0UN767	CORPS DE SOUPE	VALVE BODY
DO-188	0UN768	TIGE DE SOUPE	VALVE PISTON
DO-189	0UN557	ECROU DE SOUPE	VALVE NUT
DO-190	0UN860	CONTRE ECROU M18 X 100	NUT M18 X 100
DO-191	0UN136	SOUPE H.P. COMPLETE	COMPLET H.P. VALVE
DO-74	0UN416	RACCORD SOUPE HP	H.P VALVE CONNECTION
MI-36	0UN422	RACCORD 1/8M 1/8M	CONNECTION 1/8
NZ-1002		NOURRICE ALIMENTATION EAU	WATER FEEDING UNIT
NZ-4018		RACCORD NOURRICE	LEADER FITTING
PB-21	0UN488	ECROU 3/8 LAITON	FITTING 3/8
PC-14	0UN510	BILLE INOX POLIE DE 11	STAINLESS STEEL BALL DIA 11
PH-83	0UN302	JOINT TORIQUE 2,62X9,19 PTFE	O RING 9,19 X 2,62 PTFE
R-100	0UN228	RACCORD LAITON	FITTING
RO-14	0UN446	RESSORT F20/10L26.5 D13 P5	SPRING
SE-6512		TUBE DECOMPRESSION SOUPE HP 2GR	2 UNITS HP VALVE DECOMPRESSION PIPE
SE-6513		TUBE DECOMPRESSION SOUPE HP 3GR	3 UNITS HP VALVE DECOMPRESSION PIPE



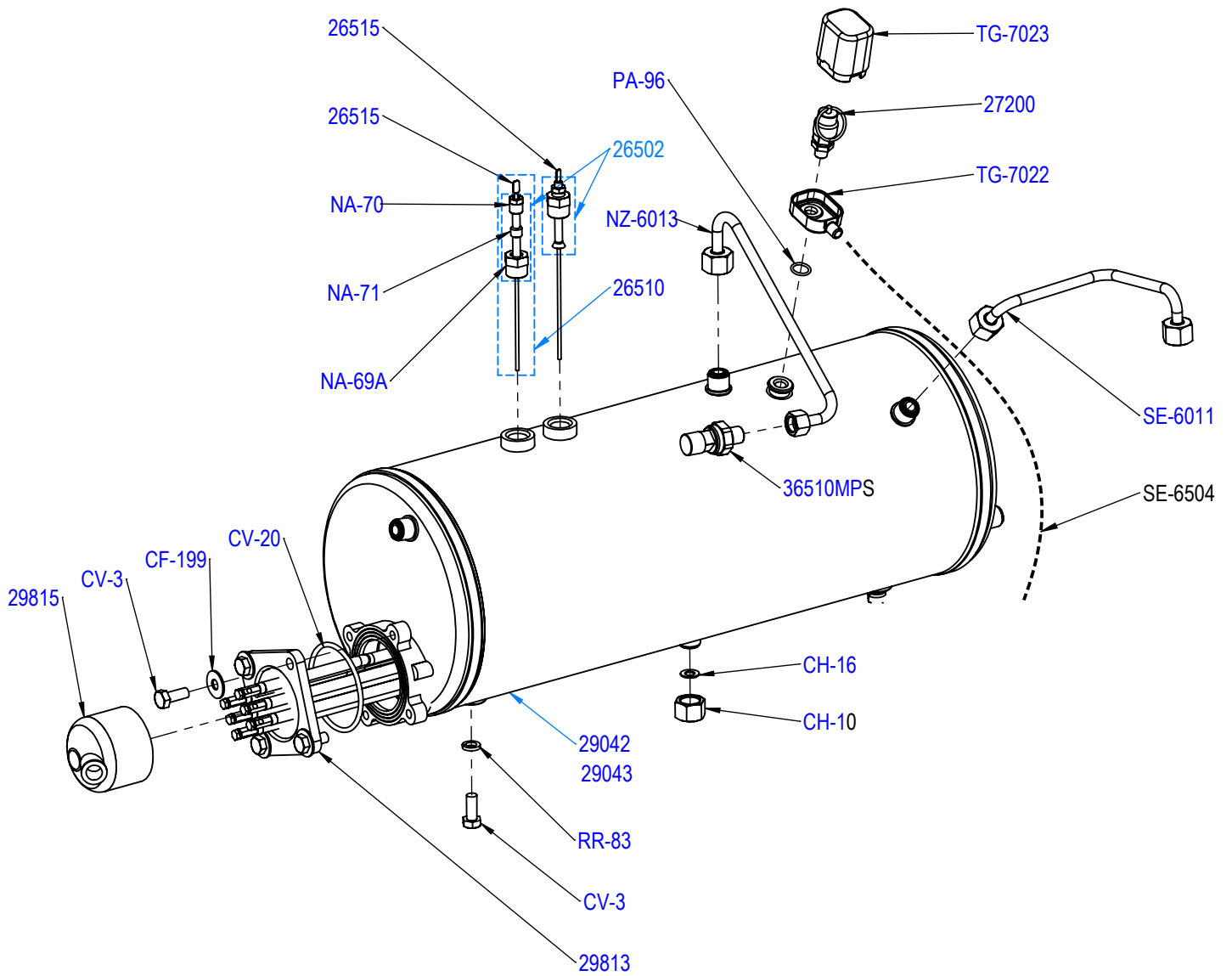
## PLANCHE - PLATE 331

<b>REF</b>	<b>ELUX</b>	<b>DESIGNATIONS FR</b>	<b>DESIGNATIONS GB</b>
23760	0UN291	AXE BANJO 1/4	BANJO SCREW 1/4
23761	0UN474	CORPS DE BANJO 1/4	BANJO BODY 1/4
35532		ELECTROVANNE 2V 24V N.O Ø2	ELECTROVALVE 2W 24V OPEN
36510MPS	0UN063	CAPTEUR DE PRESSION 0-16b SENSATA	0-16b PRESSURE SENSOR
CH-16	0UN177	JOINT CUIVRE RECUIT 3/8	WASHER - COPPER - 3/8
CN-441A	0UN465	RACCORD 1/4M-3/8M	FITTING 1/4 3/8
CN-618	0UN181	JOINT CUIVRE 1/4	GASKET - 1/4
CN-648	0UN109	COMPTEUR VOLUMETRIQUE	WHOLE W.DOSING DEVICE
DV-172	0UN500	JOINT PLAT 11.4 X 7.5 X 1.9	GASKET
DV-44	0UN188	VIS TH M4X10 ACIER	SCREW M4x10
NZ-1002		NOURRICE ALIMENTATION EAU	WATER FEEDING UNIT
NZ-6007		RAMPE DOSEUR EAU	WATER DOSER PIPE
NZ-6008		RAMPE DOSEUR ET ENTREE EAU	WATER FEEDING & DOSER PIPE
NZ-6012		TUBE CAPTEUR RESEAU	NETWORK SENSOR PIPE
PA-96		JOINT TORIQUE 1,78X12,42 EPDM	GASKET 1.78 X 12.42



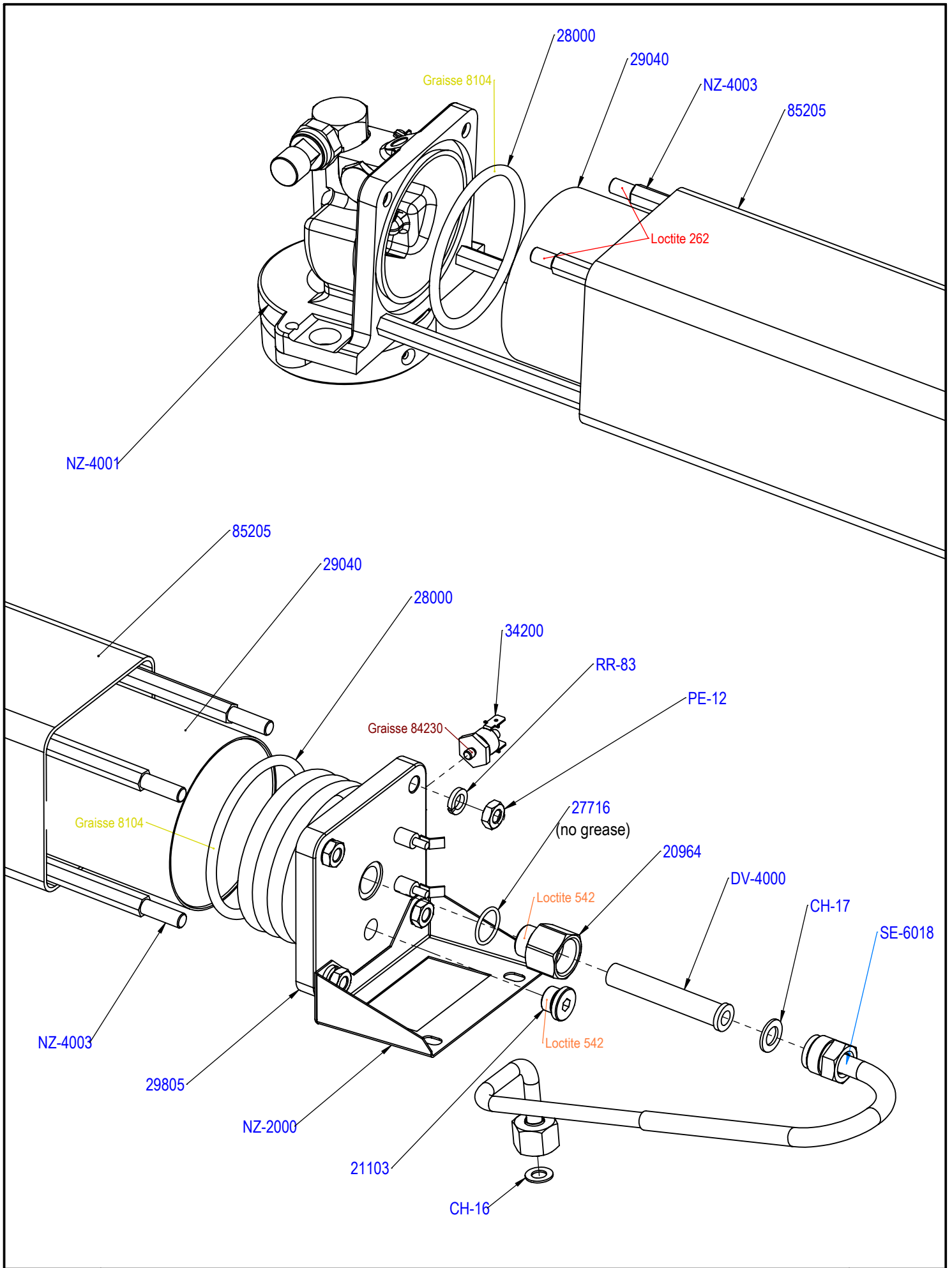
## PLANCHE - PLATE 340

REF	ELUX	DESIGNATIONS FR	DESIGNATIONS GB
26502	0UN966	ENSEMBLE NIVEAU SONDE 3/8	LEVEL PROBE 3/8 SET
26510	0UN570	SONDE DE NIVEAU L=130	LEVEL PROBE
26515		SONDE DE NIVEAU L=150	LEVEL PROBE
27200	0UN155	SOUPAPE VAPEUR BP 3,5 BARS	LP VALVE 3.5 BARS
29042		CHAUDIERE VAPEUR 2GR	STEAM BOILER 2 UNITS
29043		CHAUDIERE VAPEUR 3GR	STEAM BOILER 3 UNITS
29813		ELEMENT CHAUFFANT 230V 6555W	HEATING ELEMENT 230V 6555W
29815	0UN331	CACHE RESISTANCE	INSULATOR BOOT
36510MPS	0UN063	CAPTEUR DE PRESSION 0-16b SENSATA	0-16b PRESSURE SENSOR
CF-199	0UN263	RONDELLE ACIER ZN 8x22x1,5	STEEL WASHER 8x22x1,5
CH-10		ECROU BORGNE 3/8	CAP NUT 3/8
CH-16	0UN177	JOINT CUIVRE RECUIT 3/8	WASHER - COPPER - 3/8
CN-670	0UN185	SONDE NIVEAU BAS INOX L=130	LEVEL PROBE L=130
CV-20	0UN090	JOINT TORIQUE 3,53X66,68 FKM	GASKET - 66.68 x 3.53
CV-3	0UN964	VIS TH M8 x 20 INOX	S.STEEL SCREW M8 x 20
NA-69A	0UNA08	PORTE SONDE EN LAITON	PROBE HOLDER CONNECTION
NA-70	0UN197	BLOCAGE ELECTRODE NIVEAU AUTO	LEVEL PROBE COMPRESSION NUT
NA-71	0UN198	PORTE-ELECTRODE EN TEFLON	LEVEL PROBE INSULATION
NZ-6013		TUBE CAPTEUR VAPEUR	STEAM SENSOR PIPE
PA-96		JOINT TORIQUE 1,78X12,42 EPDM	GASKET 1.78 X 12.42
RR-83	0UN592	RONDELLE GROVER DE 8	WASHER 8
SE-6011		TUBE REMPLISSAGE CHAUDIERE	BOILER FILLING PIPE
SE-6504		TUBE DECOMPRESSION SOUPAPE BP	LP VALVE DECOMPRESSION PIPE
TG-7022		PROTECTION SOUPAPE	VALVE PROTECTION
TG-7023		COUVERCLE PROTECTION SOUPAPE	COVER VALVE PROTECTION



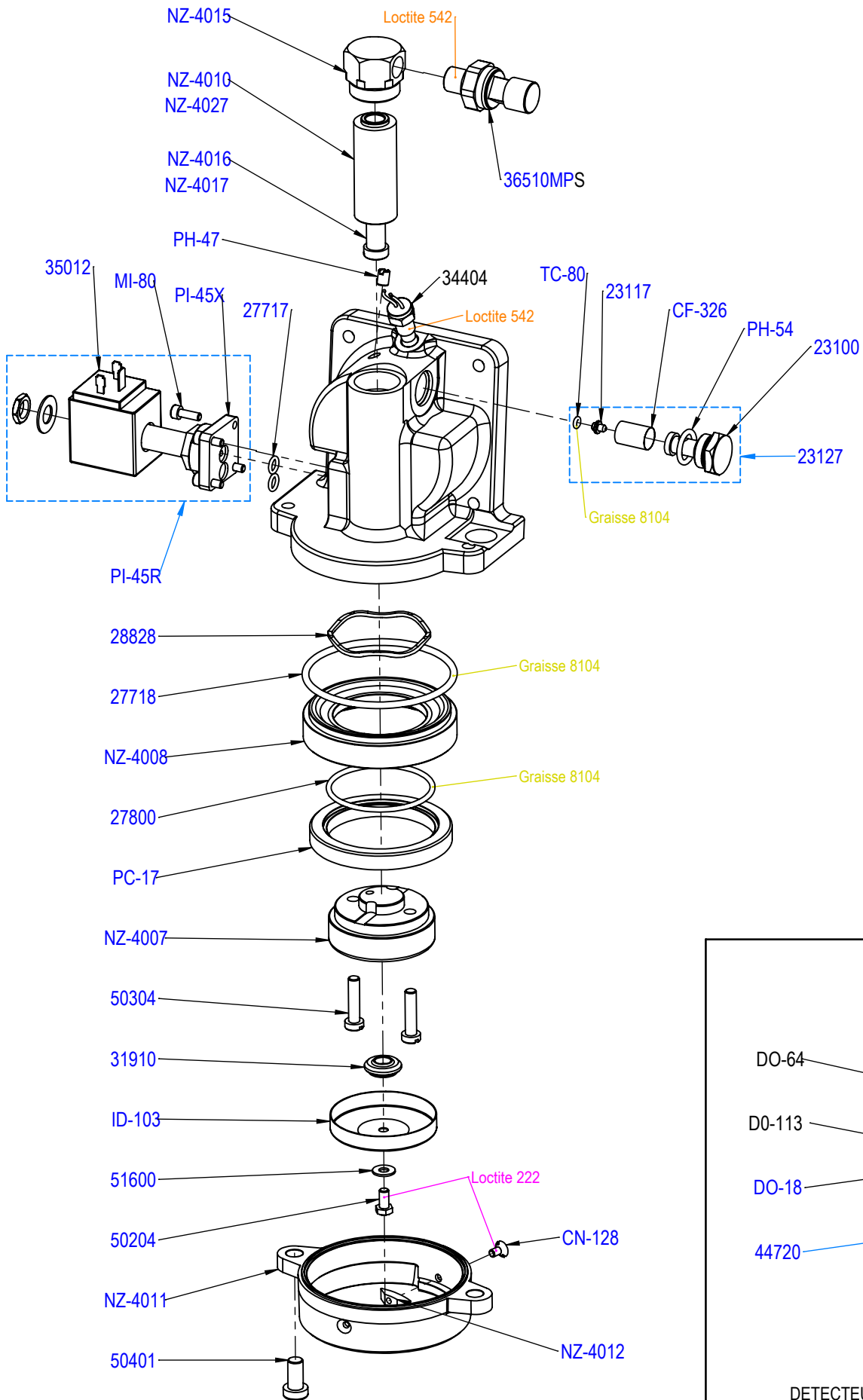
## PLANCHE - PLATE 341

<b>REF</b>	<b>ELUX</b>	<b>DESIGNATIONS FR</b>	<b>DESIGNATIONS GB</b>
20964	0UN467	RACCORD 3/8M 1/2F	CONNECTION 3/8M 1/2F
21103	0UN390	BOUCHON 1/4	PLUG 1/4
27716	0UN236	JOINT TORIQUE 1,78 X 17.17 FKM	GASKET 1,78 X 17.17
28000		JOINT TORIQUE 5,34X78,74	O RING 5,34X78,74
29040		TUBE CHAUDIERE Ø95	BOILER TUBE Ø95
29805		ELEMENT CHAUFFANT 230V 2000W	HEATING ELEMENT 230V-2000W
34200		THERMOSTAT DE SECURITE 135°C	SAFETY THERMOSTAT 135°C
85205		ISOLANT CHAUDIERE	BOILER INSULATOR
CH-16	0UN177	JOINT CUIVRE RECUIT 3/8	WASHER - COPPER - 3/8
CH-17	0UN972	JOINT CUIVRE RECUIT 1/2	WASHER - COPPER - 1/2
DV-4000		TUBE TEFLON ALIM. GROUPE L:72	UNIT FEEDING TUBE
NZ-2000		SUPPORT AR CHAUDIERE	BOILER SUPPORT
NZ-4001		CORPS DE GROUPE	UNIT BODY
NZ-4003		COLONNETTE CHAUDIERE	BOILER SCREW
PE-12	0UN430	ECROU M8	NUT M8
RR-83	0UN592	RONDELLE GROVER DE 8	WASHER 8
SE-6018		TUBE ALIMENTATION GROUPE CAFE	ALIMENTATION GROUP PIPE

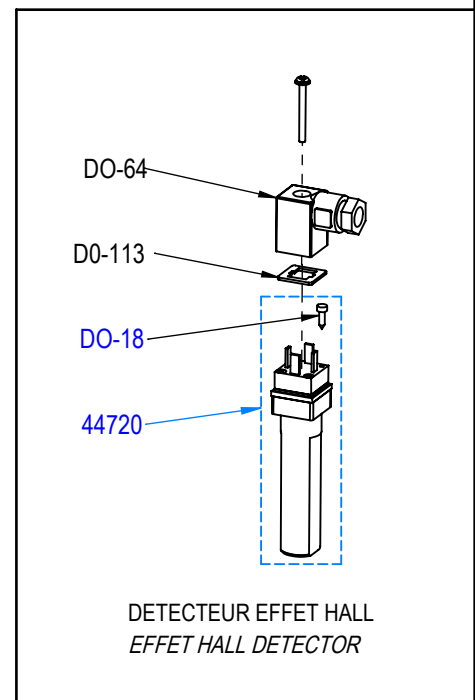


## PLANCHE - PLATE 345

REF	ELUX	DESIGNATIONS FR	DESIGNATIONS GB
23100		PORTE GICLEUR	GICLUER HOLDER
23117	0UN134	GICLEUR DIAM:0,7	JET DIAM. 0.7
23127	0UN131	KIT PORTE GICLEUR Ø0.7	GICLUER Ø 0.7 KIT
27717		JOINT TORIQUE 1,78 X 6,07	GASKET 1.78 X 6.07
27718	0UN091	JOINT PISTON MOBILE 3.53 X 74.61	O RING 3.53 X 74.61
27800	0UN122	JOINT TORIQUE 2.62 X 52.07 NBR	GASKET 2.62 X 52.07
28828	0UN050	RONDELLE RESSORT Ø54	RONDELLE RESSORT Ø54
31200		GR. INJECTION PISTON MOBILE 24V 50 Hz	COMPLET INJECTION GROUP 24V 50Hz
31210		GR. INJECTION PISTON MOBILE 24V 50 Hz AVEC EH	COMPLET INJECTION GROUP 24V 50Hz WITH EH
31910		RONDELLE DIFFUSEUR GROUPE	WASHER DIFFUSER
34404		SONDE THERMOSTATIQUE EPIC	THERMOSTATED PROBE
35012	0UN003	BOBINE 24V	SOLENOID COIL 24V
44720	0UN138	CAPTEUR DE COUPE COMPLET	FILTER HOLDER SENSOR KIT
50204	0UN982	VIS TH M5 x 10 INOX	SCREW M5 X 10
50304		VIS TC M6X25 INOX	S.STEEL SCREW M6X25
50401		VIS TCHC TETE BASSE M8X16 INOX	S.STEEL SCREW M8 X 16
51600		RONDELLE INOX MOYENNE DE 5	WASHER
36510MPS	0UN063	CAPTEUR DE PRESSION 0-16b SENSATA	0-16b PRESSURE SENSOR
CF-326		FILTRE INOX D.int=12 H=17,5	FILTER D:12 H:17,5
CN-128	0UNA7E	VIS INOX TF M4 X 8	SCREW M4 X 8
DO-113		JOINT CONNECTEUR	GASKET CONNECTOR
DO-18		VIS ACIER ZN PT WN 22 X 10	SENSOR-HOLDER SCREW
DO-64		CONNECTEUR POUR CAPTEUR COUPE	SENSOR CONNECTOR
ID-103	0UN104	FILTRE TASSOIR	PACKER FILTER
MI-80	0UN944	VIS TCHC M4x12 INOX	SCREW M4 X 12
NZ-1022		GROUPE STELLA COMPLET	COMPLET STELLA GROUP
NZ-1023		GROUPE STELLA COMPLET AVEC EH	COMPLET STELLA GROUP WITH EH
NZ-4007		TASSOIR MONOGROUPE	SINGLE GROUP COMPACTOR
NZ-4008		PISTON MONOGROUPE	SINGLE GROUP PISTON
NZ-4010		ENTRETOISE POUMON	CHAMBER SPACER
NZ-4011		PORTE COUPE BUTEE	BOWL HOLDER
NZ-4012		BUTEE DE COUPE	FILTER HOLDER STOP
NZ-4015		BOUCHON GROUPE CAPTEUR	SENSOR UNIT CAP
NZ-4016		VIS POU MON GR STELLA	CHAMBER SCREW
NZ-4017		VIS POU MON LONGUE	LONG CHAMBER SCREW
NZ-4027		ENTRETOISE POU MON LONGUE	LONG CHAMBER SPACER
PC-17	0UN128	JOINT DE COUPE 57 x 75 x 9	HEAD GASKET 9mm
PH-47		VIS ST M6x8 LAITON	SCREW M6 X 8
PH-54	0UN133	JOINT TORIQUE 2,62X13,95 EPDM	O RING - 13.95 x 2.62
PI-45R	0UN334	ELECTROVANNE 3V 24V-50/60Hz	ELECTROVALVE 3W 24V-50/60Hz
PI-45X	0UN203	ELECTROV. 3V SANS BOBINE	ELECTOVALVE 3W WITHOUT COIL



KITS REFERENCES:  
 31200 / 31210  
 NZ-1022 / NZ1023



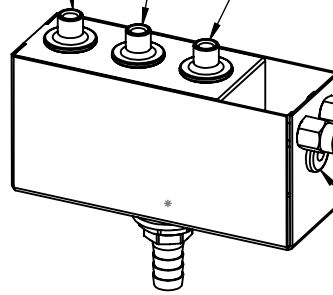
## PLANCHE - PLATE 350

<b>REF</b>	<b>ELUX</b>	<b>DESIGNATIONS FR</b>	<b>DESIGNATIONS GB</b>
21350		RACCORD 1/8M A SERTIR DIAM. 6	COMPRESSION CONNECTION 1/8
21400		BICONE DIAM. 6	BICONE DIAM. 6
22901	0UN052	RACCORD COUDE 1/8M	CROOKED FITTING 1/8M
CN-544	0UN901	RONDELLE ACIER ZN 17 x 28 x 2	WASHER
DV-7040		EMBOUT DE DECOMPRESSION	DECOMPRESSION TIP
DV-7041		CORPS EMBOUT DE DECOMPRESSION	DECOMPRESSION TIP HOUSING
MI-34	0UN597	ECROU LAITON 1/8"	COMPRESSION NUT - 1/8
MI-6	0UN880	PASSE FIL	GROMMET
NA-18A	0UN698	ECROU LAITON 3/8 4 mm	3/8 NUT
SE-2010		BOITE DECOMPRESSION SOUDEE	DRAIN BOX

Tube décompression groupe 1  
1st group decompression pipe

Tube décompression groupe 2  
2nd group decompression pipe

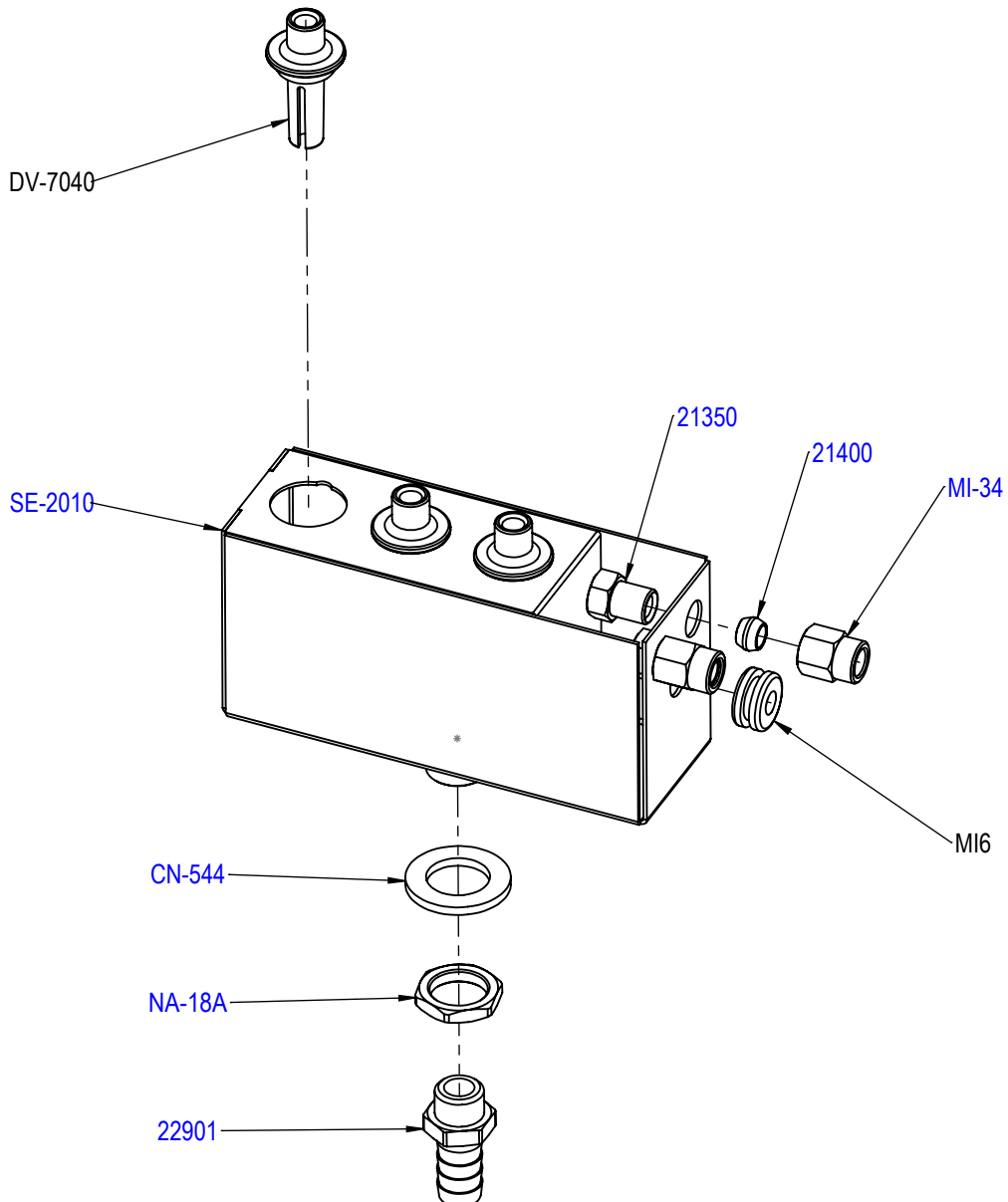
Tube décompression groupe 3  
3rd group decompression pipe



Soupape HP  
HP valve

Décompression 3e voie EV steamair (option)  
3rd way (decompression) steamair electrovalve

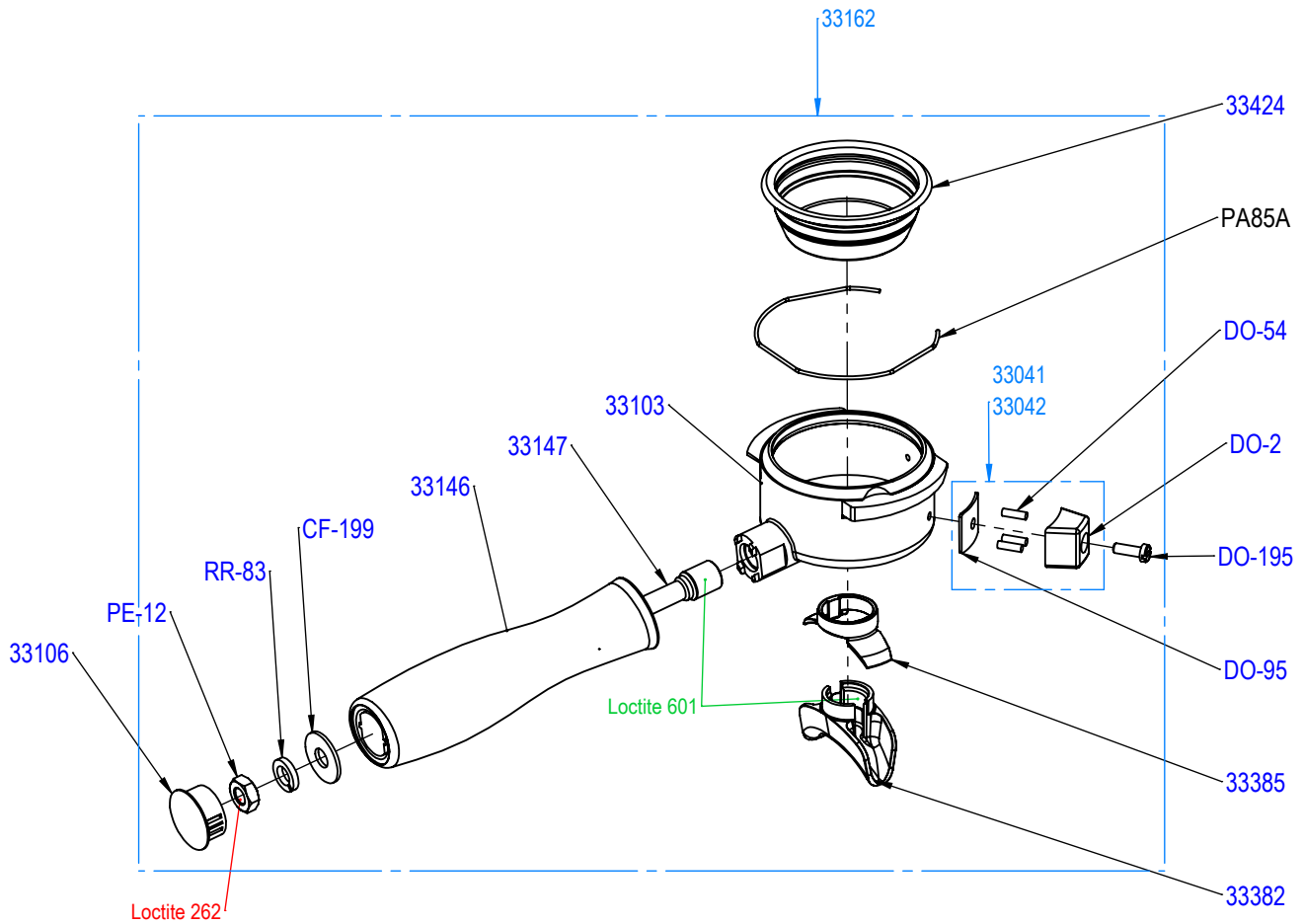
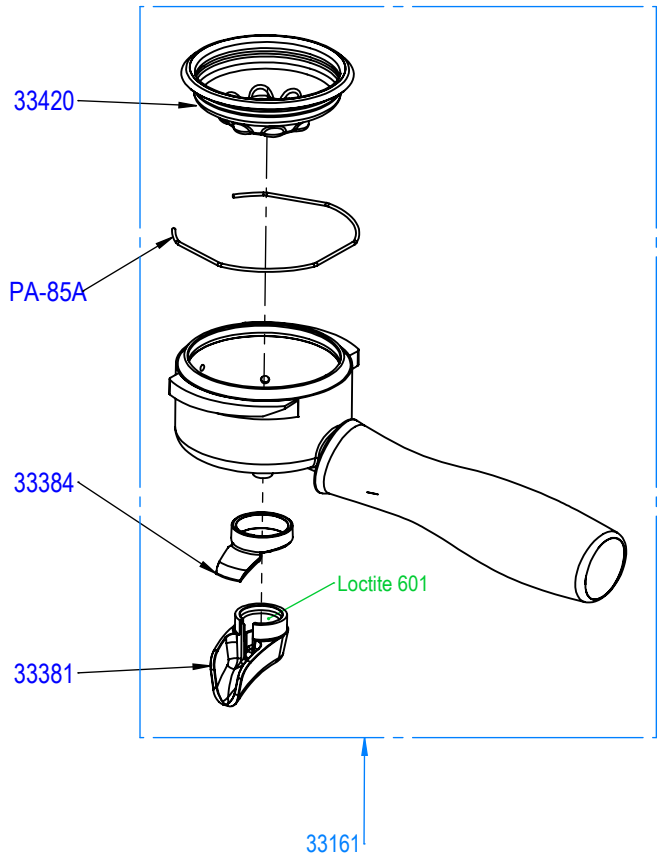
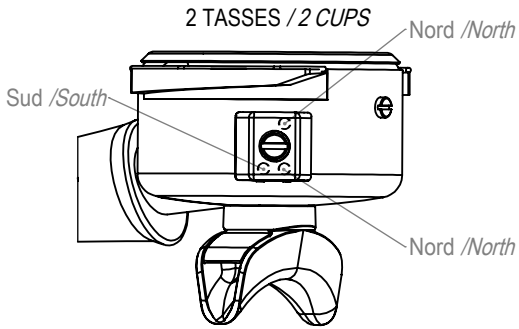
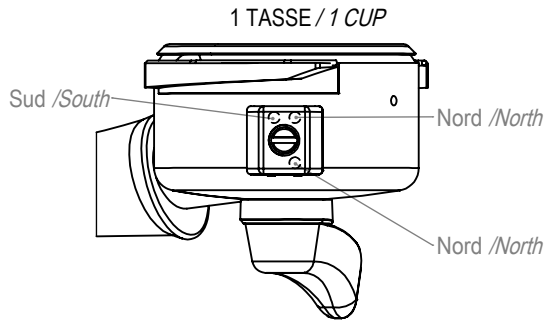
Soupape BP vapeur et valve de purge  
LP valve steam & purge valve



## PLANCHE - PLATE 494

<b>REF</b>	<b>ELUX</b>	<b>DESIGNATIONS FR</b>	<b>DESIGNATIONS GB</b>
33041	0UN143	PORTE AIMANT 1 T COMPLET	1 CUP MAGNET HOLDER
33042	0UN142	PORTE AIMANT 2 T COMPLET	2 CUPS MAGNET HOLDER
33103		COUPE NUE POUR CAPTEUR	FILTER HOLDER BODY WITH SENSOR
33106		BOUCHON POIGNEE DE COUPE	TAP FOR HANDLE
33146		POIGNEE DE COUPE	HANDLE
33147		AXE POIGNEE DE COUPE	AXLE FOR HANDLE
33161		COUPE COMPLETE 1T AVEC CAPTEUR	1 CUP FILT. HOLDER WITH SENSOR
33162		COUPE COMPLETE 2T AVEC CAPTEUR	2 CUP FILT. HOLDER WITH SENSOR
33381	0UN965	BEC 1 T CHROME	1 CUP SPOUT
33382		BEC 2T CHROME	2 CUPS SPOUT
33384	0UN514	OBTURATEUR BEC 1T	1 CUP OBTURATOR
33385		OBTURATEUR BEC 2T	2 CUPS OBTURATOR
33420		FILTRE 1 TASSE	1 CUP FILTER
33424		FILTRE 2 TASSES PENTAGONAL	2 CUPS FILTER
CF-199	0UN263	RONDELLE ACIER ZN 8x22x1,5	STEEL WASHER 8x22x1,5
DO-195	0UNA1L	VIS ACIER INOX TC 4 X 12	SCREW M4 X 12
DO-2		PORTE AIMANT	MAGNET HOLDER
DO-54	0UNA1A	AIMANT DIAM 3 L:10mm	MAGNET DIA:3 L:10mm
DO-95		JOINT PORTE-AIMANTS	MAGNET HOLDER JOINT
PA-85A		RESSORT DE COUPE DIAM:1.3	FILTER SPRING DIAM:1.3
PE-12	0UN430	ECROU M8	NUT M8
RR-83	0UN592	RONDELLE GROVER DE 8	WASHER 8

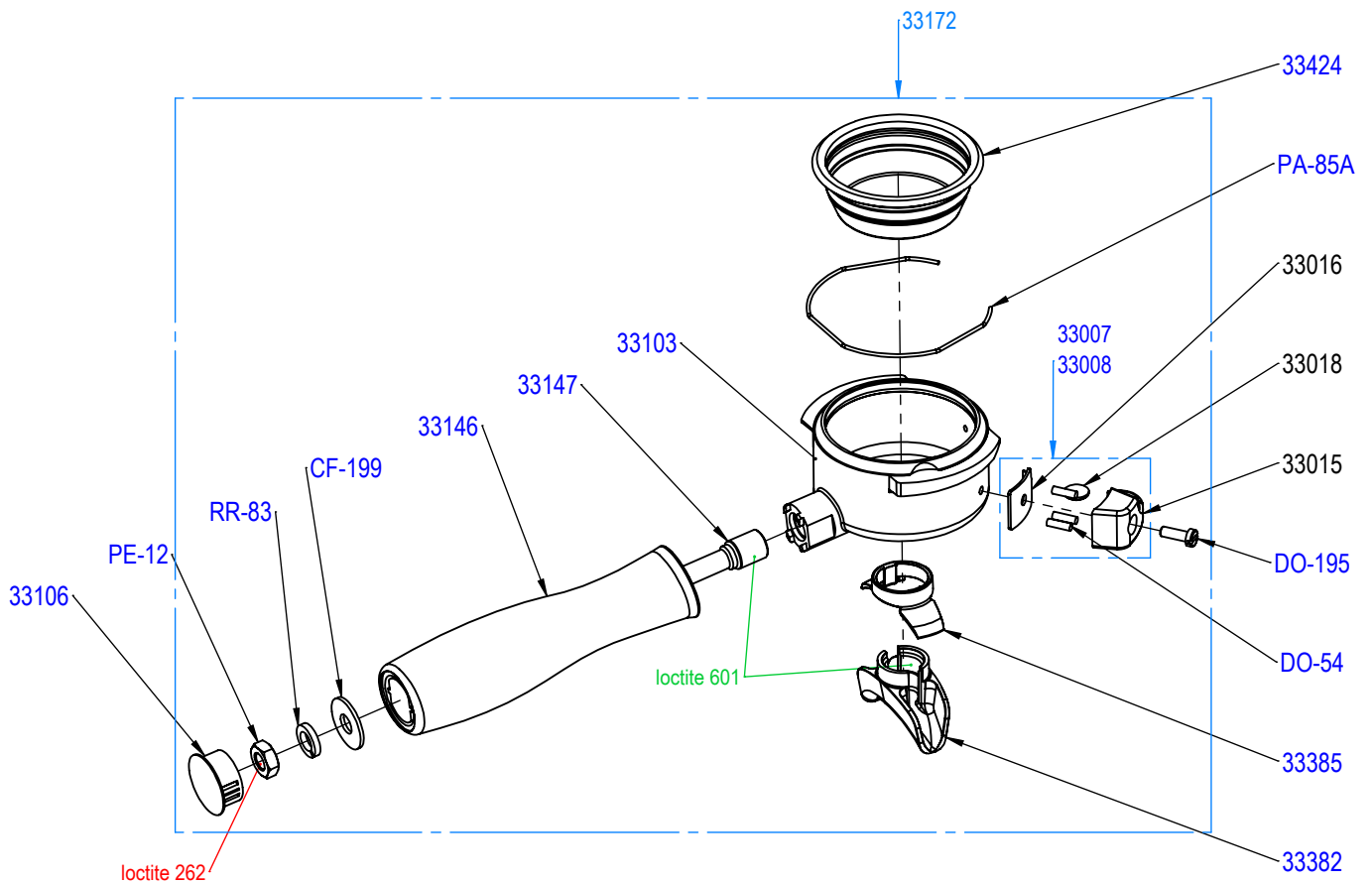
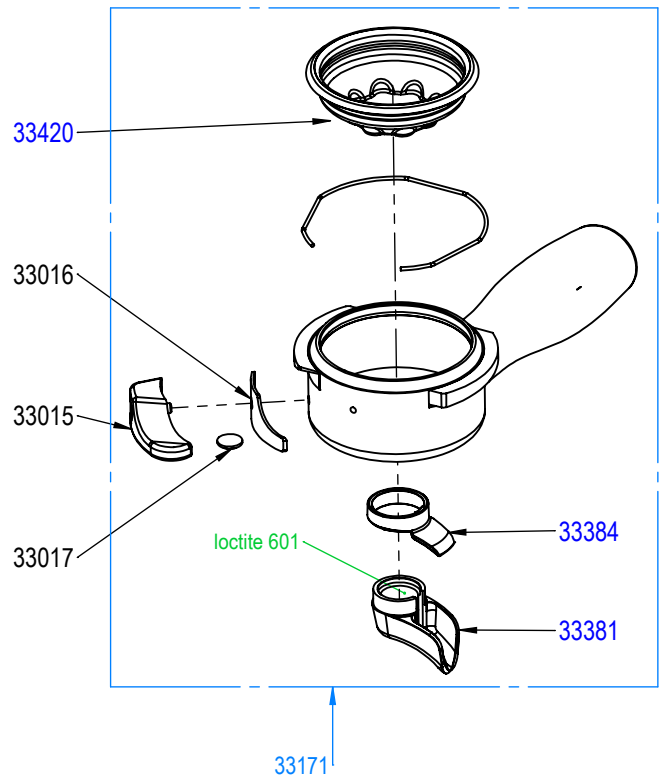
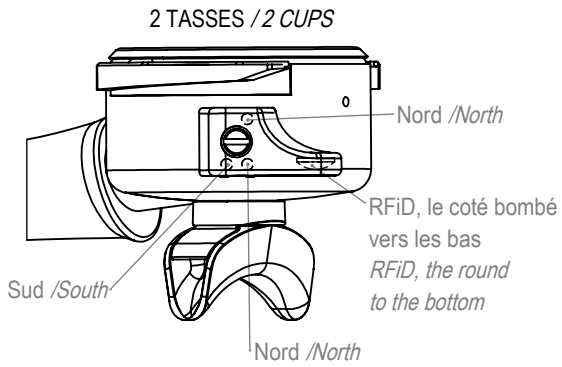
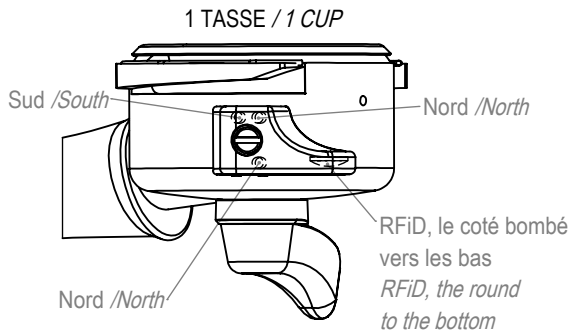
Disposition du sens des aimants DO-54  
 Layout direction of the magnets DO-54



## PLANCHE - PLATE 497

REF	ELUX	DESIGNATIONS FR	DESIGNATIONS GB
33007		KIT PORTE AIMANT RFID 1T	1 CUP KIT RFID MAGNET HOLDER
33008		KIT PORTE AIMANT RFID 2T	2 CUP KIT RFID MAGNET HOLDER
33015		SUPPORT AIMANTS RFID	MAGNET HOLDER RFID
33016		JOINT POUR SUPPORT AIMANTS RFID	GASKET
33017		CHIP RFID 1 TASSE	1 CUP CHIP RFID
33018		CHIP RFID 2 TASSES	2 CUPS CHIP RFID
33103		COUPE NUE POUR CAPTEUR	FILTER HOLDER BODY WITH SENSOR
33106		BOUCHON POIGNEE DE COUPE	TAP FOR HANDLE
33146		POIGNEE DE COUPE	HANDLE
33147		AXE POIGNEE DE COUPE	AXLE FOR HANDLE
33171		COUPE COMPLETE 1T AVEC RFID	1 CUP FILT. HOLDER WITH RFID
33172		COUPE COMPLETE 2T AVEC RFID	2 CUP FILT. HOLDER WITH RFID
33381	0UN965	BEC 1 T CHROME	1 CUP SPOUT
33382		BEC 2T CHROME	2 CUPS SPOUT
33384	0UN514	OBTURATEUR BEC 1T	1 CUP OBTURATOR
33385		OBTURATEUR BEC 2T	2 CUPS OBTURATOR
33420		FILTRE 1 TASSE	1 CUP FILTER
33424		FILTRE 2 TASSES PENTAGONAL	2 CUPS FILTER
CF-199	0UN263	RONDELLE ACIER ZN 8x22x1,5	STEEL WASHER 8x22x1,5
DO-195	0UNA1L	VIS ACIER INOX TC 4 X 12	SCREW M4 X 12
DO-54	0UNA1A	AIMANT DIAM 3 L:10mm	MAGNET DIA:3 L:10mm
PA-85A		RESSORT DE COUPE DIAM:1.3	FILTER SPRING DIAM:1.3
PE-12	0UN430	ECROU M8	NUT M8
RR-83	0UN592	RONDELLE GROVER DE 8	WASHER 8

Disposition du sens des aimants DO-54  
 Layout direction of the magnets DO-54

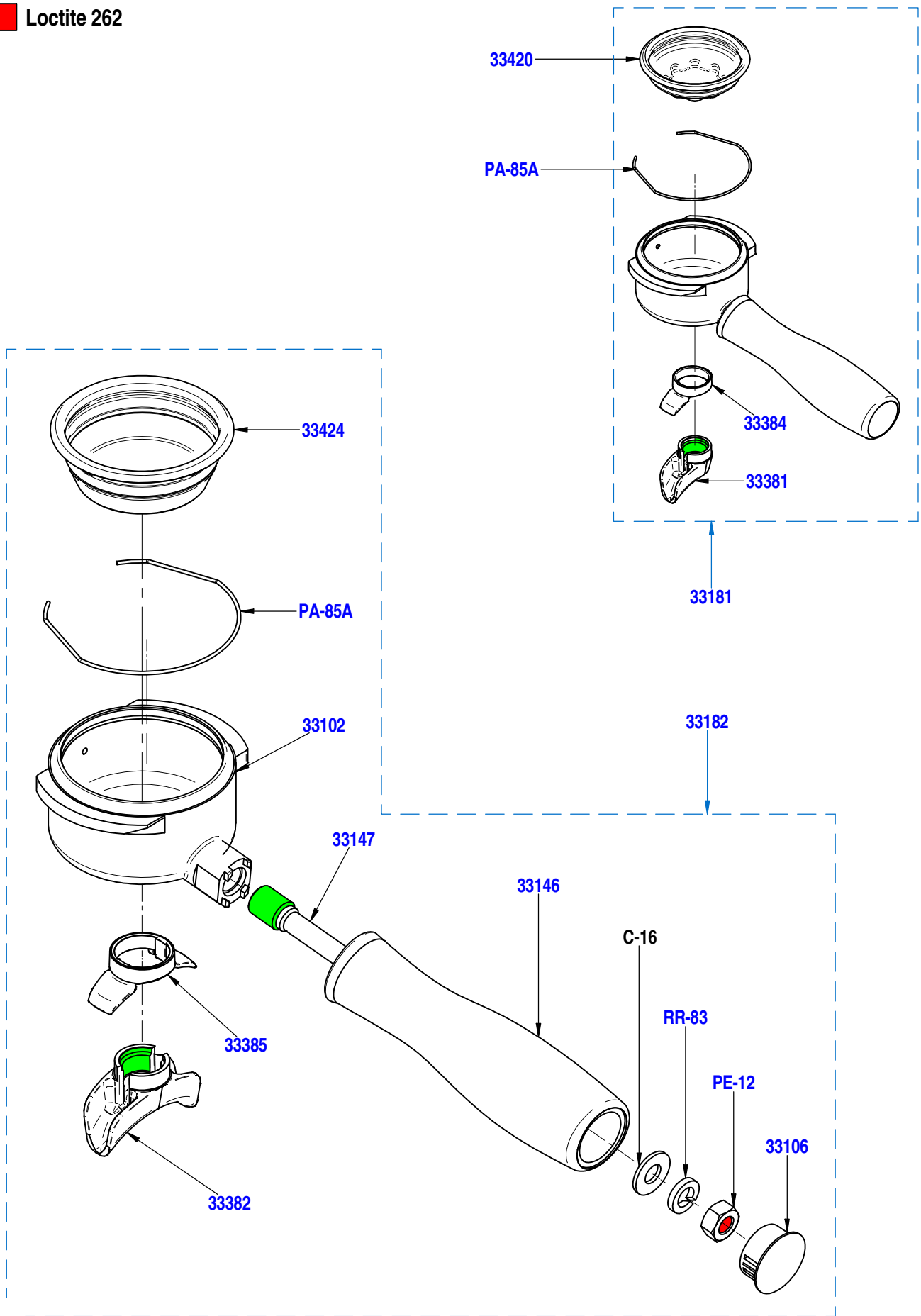


## PLANCHE - PLATE 498

<b>REF</b>	<b>ELUX</b>	<b>DESIGNATIONS FR</b>	<b>DESIGNATIONS GB</b>
33102		COUPE NUE	<i>FILTER HOLDER BODY</i>
33106		BOUCHON POIGNEE DE COUPE	<i>TAP FOR HANDLE</i>
33146		POIGNEE DE COUPE	<i>HANDLE</i>
33147		AXE POIGNEE DE COUPE	<i>AXLE FOR HANDLE</i>
33181		COUPE COMPLETE 1T	<i>1 CUP FILTER HOLDER</i>
33182		COUPE COMPLETE 2T	<i>2 CUPS FILTER HOLDER</i>
33381	0UN965	BEC 1 T CHROME	<i>1 CUP SPOUT</i>
33382		BEC 2T CHROME	<i>2 CUPS SPOUT</i>
33384	0UN514	OBTURATEUR BEC 1T	<i>1 CUP OBTURATOR</i>
33385		OBTURATEUR BEC 2T	<i>2 CUPS OBTURATOR</i>
33420		FILTRE 1 TASSE	<i>1 CUP FILTER</i>
33424		FILTRE 2 TASSES PENTAGONAL	<i>2 CUPS FILTER</i>
C-16	0UNA5S	RONDELLE ACIER NICKLE M8	<i>WASHER 8</i>
PA-85A		RESSORT DE COUPE DIAM:1.3	<i>FILTER SPRING DIAM:1.3</i>
PE-12	0UN430	ECROU M8	<i>NUT M8</i>
RR-83	0UN592	RONDELLE GROVER DE 8	<i>WASHER 8</i>

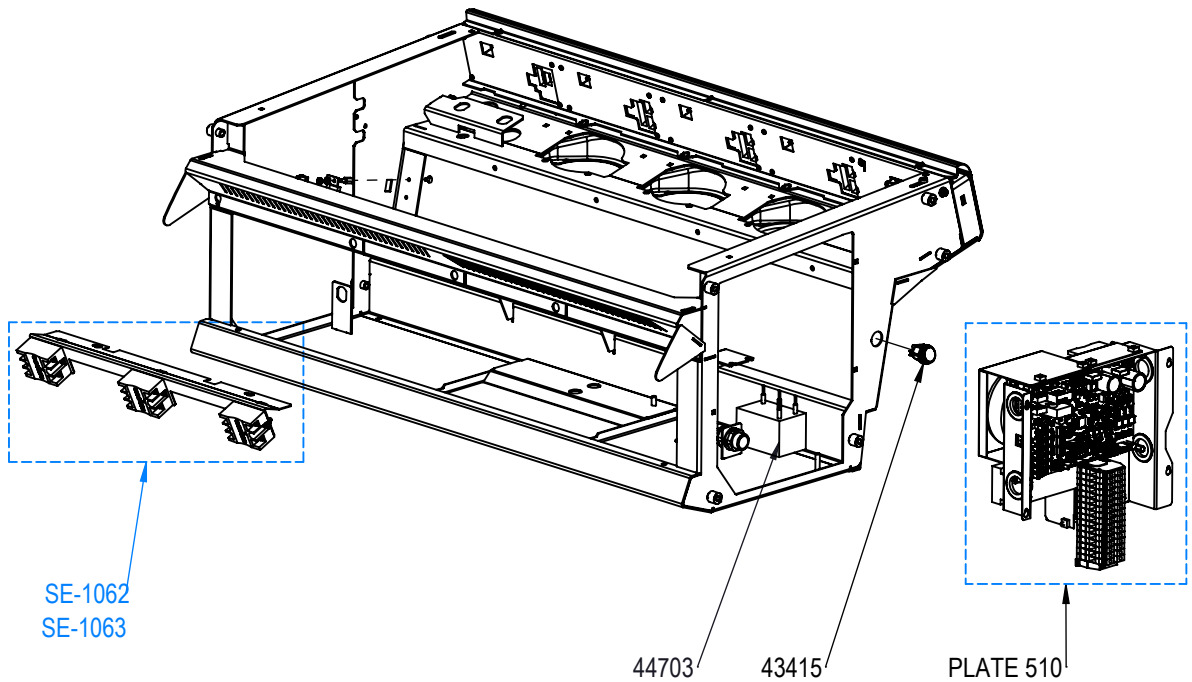
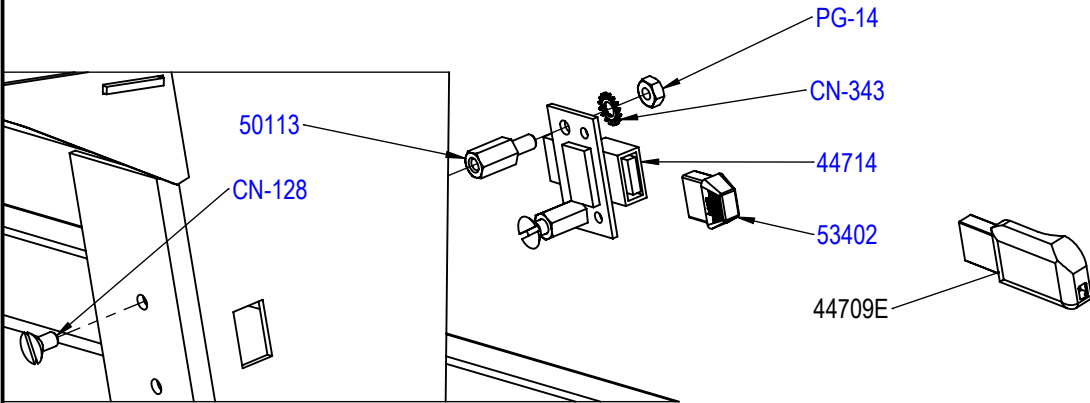
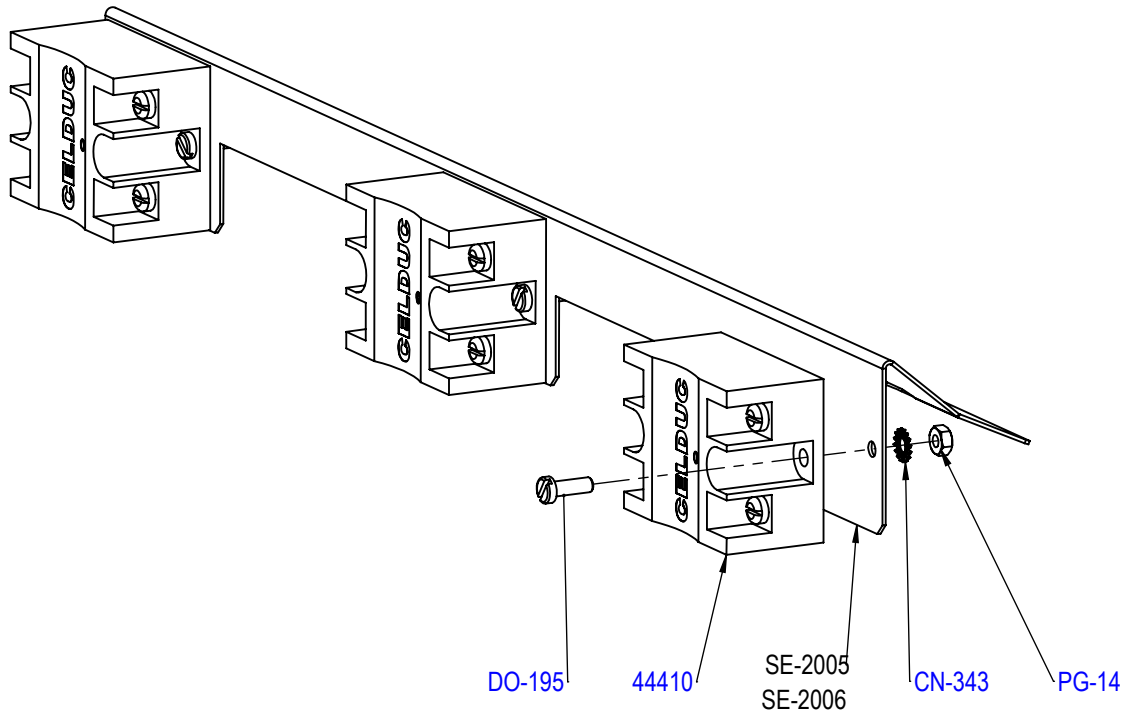
 Loctite 601

 Loctite 262



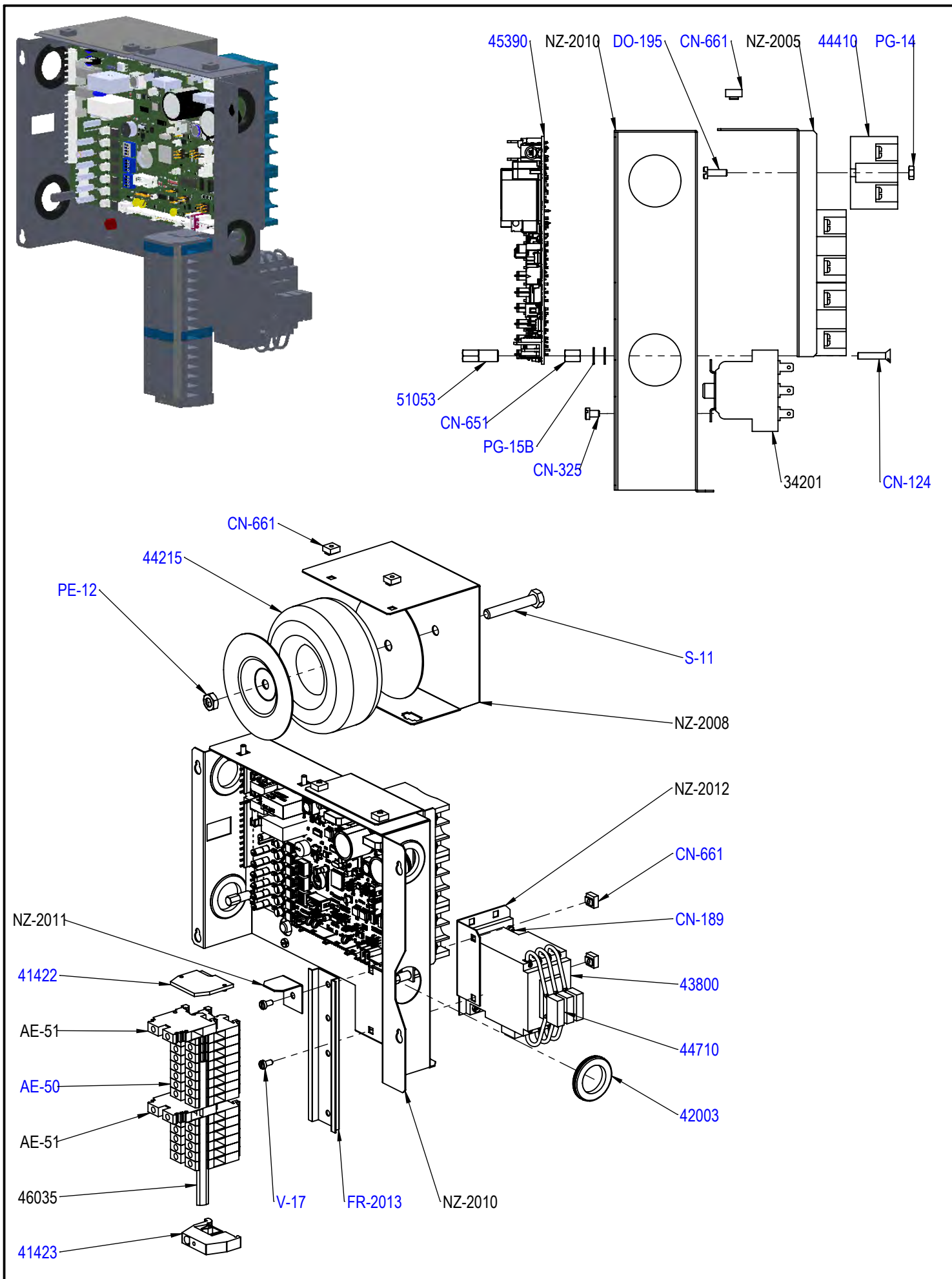
## PLANCHE - PLATE 500

<b>REF</b>	<b>ELUX</b>	<b>DESIGNATIONS FR</b>	<b>DESIGNATIONS GB</b>
43415		INTERRUPTEUR BIPOLAIRE A BASCULE	<i>BIPOLAR SWITCH</i>
44410	0UN169	RELAIS STATIQUE 25A	<i>SOLID STATE RELAY 25A</i>
44703		FILTRE ANTIPARASITE RC	<i>RC FILTER</i>
44709E		Clé USB programmée EPIC	<i>Programmed USB key</i>
44714	0UN515	PRISE USB	<i>USB JACK</i>
50113	0UNA10	COLONNETTE M-F M4X13	<i>SPACER M-F M4X13</i>
53402	0UNA1C	BOUCHON PRISE USB	<i>CAP FOR USB A JACK</i>
CN-128	0UNA7E	VIS INOX TF M4 X 8	<i>SCREW M4 X 8</i>
CN-343	0UNA3M	RONDELLE EVENTAIL 4	<i>WASHER 4</i>
DO-195	0UNA1L	VIS ACIER INOX TC 4 X 12	<i>SCREW M4 X 12</i>
PG-14	0UN277	ECROU M4	<i>NUT M4</i>
SE-1062		SOUS ENSEMBLE RELAIS STATIQUE 2GR	<i>2 UNITS STATIC RELAY SUBASSEMBLY</i>
SE-1063		SOUS ENSEMBLE RELAIS STATIQUE 3GR	<i>3 UNITS STATIC RELAY SUBASSEMBLY</i>
SE-2005		SUPPORT RELAIS STATIQUES 3GR	<i>3 UNITS STATIC RELAY SUPPORT</i>
SE-2006		SUPPORT RELAIS STATIQUES 2GR	<i>2 UNITS STATIC RELAY SUPPORT</i>



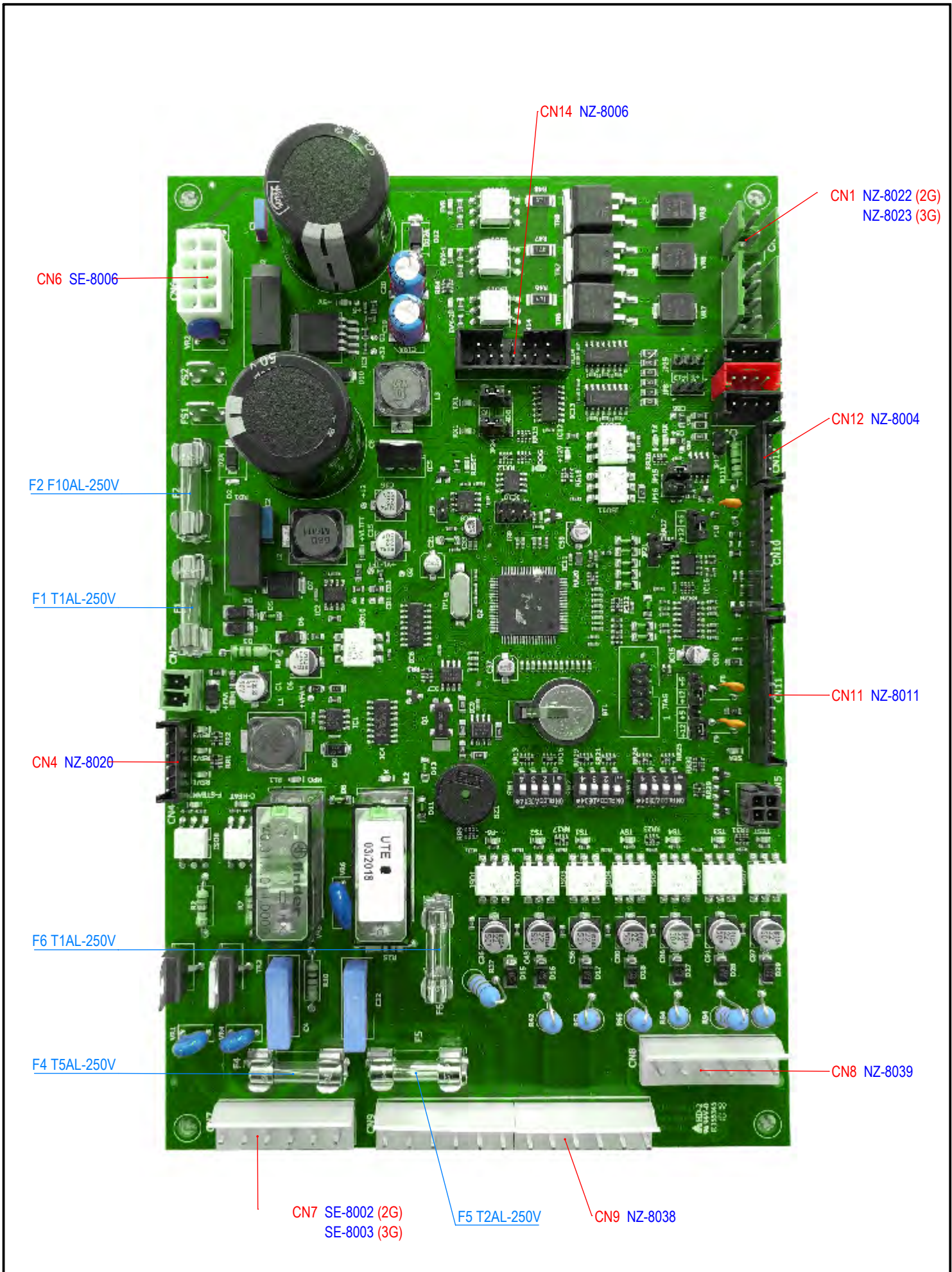
## PLANCHE - PLATE 510

REF	ELUX	DESIGNATIONS FR	DESIGNATIONS GB
45390		CARTE CPU EPIC	EPIC CPU BOARD
34201		THERMOSTAT SECURITE 160C TRI	THERMOSTAT 160C TRI
41422	0UN602	FLASQUE D'EXTREMITE	FLANGE TERMINAL BLOCK
41423		BUTEE SANS VIS BORNIER	END TERMINAL BOARD
42003		CONTRE ECROU PRESSE ETOUPE	PACKING GLAND NUT
43800	0UN087	CONTACTEUR TETRA. 220V 25A 50HZ	CONTACTOR 220V 25A 50Hz
44215		TRANSFORMATEUR TOROIDAL 230V	TRANSFORMER 200-230-240V
44410	0UN169	RELAIS STATIQUE 25A	SOLID STATE RELAY 25A
44710		FILTRE ANTIPARASITE RC	RC FILTER
46035		ETIQUETTE BORNIER STELLA	TERMINAL BOARD STICKER
51053	0UN924	ECROU LONG M4	LONG NUT M4
AE50	0UN833	BORNIER GM GRIS	TERMINAL BLOCK GREY
AE51	0UN762	BORNIER GM BLEU	TERMINAL BLOCK BLUE
CN-124	0UNA1R	VIS INOX TF 4 x 20	SCREW M4 X 20
CN-189	0UN274	VIS TC M4 X 16 INOX	SCREW M4 X 16
CN-325	0UN284	VIS INOX TC 4 x 6	SCREW M4 X 6
CN-651	0UN940	ENTRETOISE COURTE DU C.I.	SHORT SPACER FRAME
CN-661	0UN184	ECROU CAGE M4, EP 1/1.6	INSERT NUT M4
DO-195	0UNA1L	VIS ACIER INOX TC 4 X 12	SCREW M4 X 12
FR-2013		RAIL	RAIL
NZ-2005		SUPPORT RELAIS	RELAY SUPPORT
NZ-2008		SUPPORT TRANSFORMATEUR	TRANSFORMER SUPPORT
NZ-2010		COFFRET ELECTRIQUE	ELECTRICAL BOX
NZ-2011		EQUERRE ARRET BORNIER	BRACKET STOP
NZ-2012		EQUERRE SUPPORT CONTACTEUR	BRACKET CONTACTOR
PE-12	0UN430	ECROU M8	NUT M8
PG-14	0UN277	ECROU M4	NUT M4
PG-15B	0UNA3S	RONDELLE INOX 4.2X10X0.8	WASHER
S-11		RONDELLE ACIER CADMIE	WASHER
V-17	0UN544	VIS INOX TC 4 x 8	SCREW M4 X 8



## PLANCHE - PLATE 520

<b>REF</b>	<b>ELUX</b>	<b>DESIGNATIONS FR</b>	<b>DESIGNATIONS GB</b>
43113	0UN114	FUSIBLE 5 X 20 1A RETARDE T	FUSE 1A DELAYED
43114	0UN166	FUSIBLE 5 X 20 10A RAPIDE	FUSE 10A FAST
43115	0UN115	FUSIBLE 5 X 20 5A RETARDE T	FUSE 5A DELAYED
43116	0UN118	FUSIBLE 5 X 20 2A RETARDE T	FUSE 2A DELAYED
NZ-8004		CABLE LIAISON 485 CPU/BGX	LINK 485 CPU/BGX CABLE
NZ-8006		CABLE LIAISON CPU/BTA	LINK CPU/BTA CABLE
NZ-8011		CABLE CAPTEUR CHAUDIERE VAPEUR	STEAM BOILER SENSOR CABLE
NZ-8020		CABLE CMD RELAIS STATIQUE VAPEUR	STEAM SOLID STATE RELAY CABLE
NZ-8022		CABLE EV REMPLISSAGE 2GR	2 UNITS EV FEEDING CABLE
NZ-8023		CABLE EV REMPLISSAGE 3GR	3 UNITS EV FEEDING CABLE
NZ-8038		CABLE CN9 CPU	CN9 CPU CABLE
NZ-8039		CABLE CN8 CPU 3GR	3 UNITS CN8 CPU CABLE
SE-8002		CABLE COMMANDE POMPE 2GR	2 UNITS PUMP CONTROL WIRE
SE-8003		CABLE COMMANDE POMPE 3GR	3 UNITS PUMP CONTROL WIRE
SE-8006		CABLE ALIMENTATION CPU-BGX 24V AC/DC	CPU-BGX 24V AC/DC ALIMENTATION WIRE



CN6 SE-8006

CN14 NZ-8006

CN1 NZ-8022 (2G)  
NZ-8023 (3G)

F2 F10AL-250V

CN12 NZ-8004

F1 T1AL-250V

CN11 NZ-8011

CN4 NZ-8020

F6 T1AL-250V

F4 T5AL-250V

CN8 NZ-8039

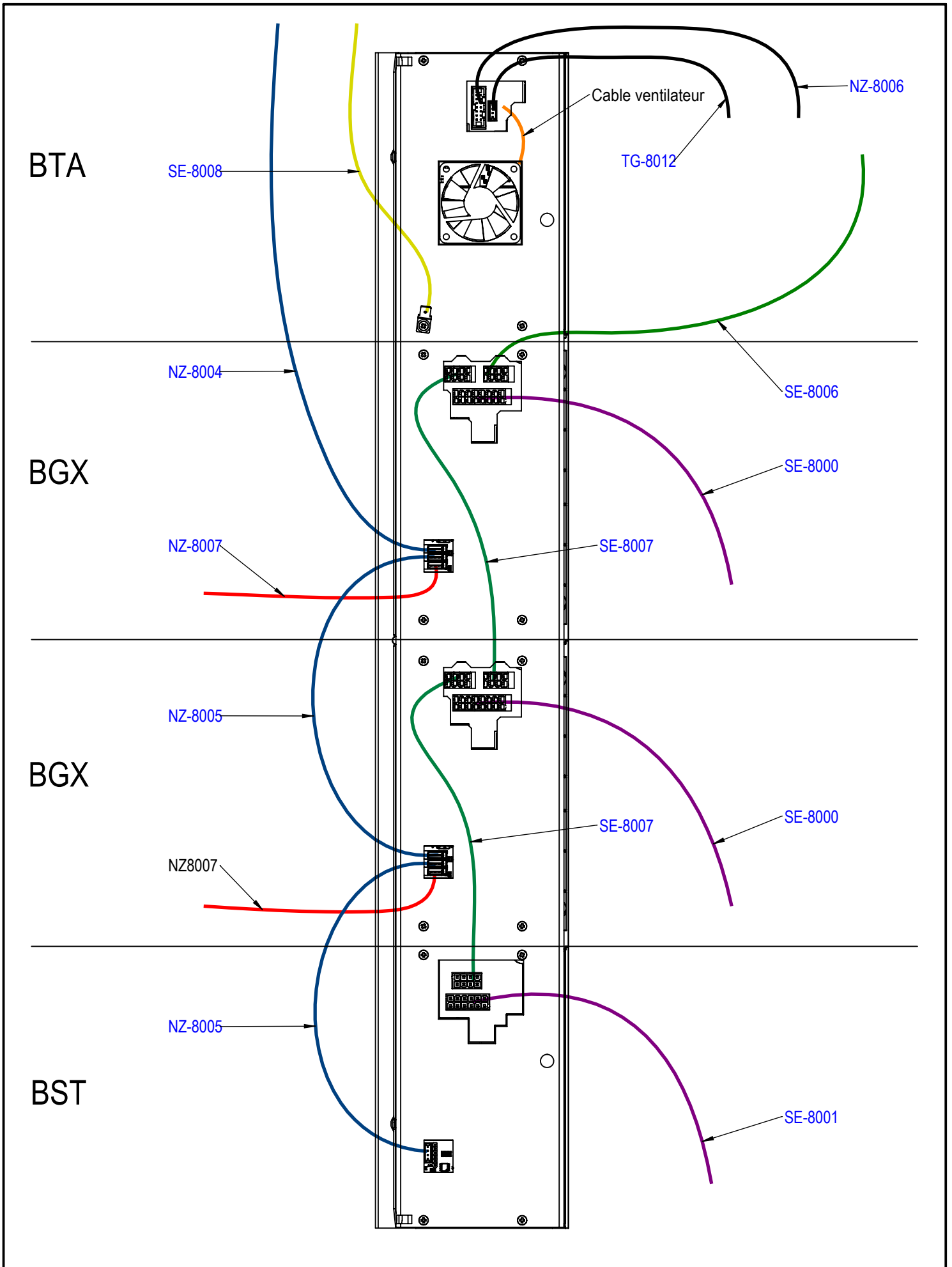
CN7 SE-8002 (2G)  
SE-8003 (3G)

F5 T2AL-250V

CN9 NZ-8038

## PLANCHE - PLATE 521

<b>REF</b>	<b>ELUX</b>	<b>DESIGNATIONS FR</b>	<b>DESIGNATIONS GB</b>
NZ-8004		CABLE LIAISON 485 CPU/BGX	<i>LINK 485 CPU/BGX CABLE</i>
NZ-8005		CABLE LIAISON 485 BGX/BGX	<i>LINK 485 BGX/BGX CABLE</i>
NZ-8006		CABLE LIAISON CPU/BTA	<i>LINK CPU/BTA CABLE</i>
NZ-8007		CABLE DOSAMAT	<i>DOSAMAT CABLE</i>
SE-8000		CABLE BGX	<i>BGX WIRE</i>
SE-8001		CABLE BST	<i>BST WIRE</i>
SE-8006		CABLE ALIMENTATION CPU-BGX 24V AC/DC	<i>CPU-BGX 24V AC/DC ALIMENTATION WIRE</i>
SE-8007		CABLE ALIMENTATION BGX-BGX 24V AC/DC	<i>BGX-BGX 24V AC/DC ALIMENTATION WIRE</i>
SE-8008		CABLE GND CALANDRE	<i>FRONT PANEL GND WIRE</i>
TG-8012	0UN065	CABLE LIAISON USB	<i>USB LINK WIRE</i>



## PLANCHE - PLATE 530

REF	ELUX	DESIGNATIONS FR	<i>DESIGNATIONS GB</i>
FR-8031		CABLE ALIM MONO 220V UL/CSA	<i>220V UL/CSA MACHINE POWER WIRE</i>
FR-8028		CABLE ALIMENTATION MACHINE	<i>MACHINE POWER WIRE</i>
NZ-8004		CABLE LIAISON 485 CPU/BGX	<i>LINK 485 CPU/BGX CABLE</i>
NZ-8005		CABLE LIAISON 485 BGX/BGX	<i>LINK 485 BGX/BGX CABLE</i>
NZ-8006		CABLE LIAISON CPU/BTA	<i>LINK CPU/BTA CABLE</i>
NZ-8007		CABLE DOSAMAT	<i>DOSAMAT CABLE</i>
NZ-8011MP		CABLE CAPTEUR CHAUDIERE VAPEUR	<i>STEAM BOILER SENSOR CABLE</i>
NZ-8020		CABLE CMD RELAIS STATIQUE VAPEUR	<i>STEAM SOLID STATE RELAY CABLE</i>
NZ-8022		CABLE EV REMPLISSAGE 2GR	<i>2 UNITS EV FEEDING CABLE</i>
NZ-8023		CABLE EV REMPLISSAGE 3GR	<i>3 UNITS EV FEEDING CABLE</i>
NZ-8038		CABLE CN9 CPU	<i>CN9 CPU CABLE</i>
NZ-8039		CABLE CN8 CPU 3GR	<i>3 UNITS CN8 CPU CABLE</i>
NZ-8042		CABLE ALIM MONO 240V 50HZ	<i>240V 50HZ MACHINE POWER WIRE</i>
NZ-8053		CABLE POUR LED GROUPE- EV	<i>UNIT-EV CABLE FOR LED</i>
NZ-8054	0UN070	CABLE LED GROUPE	<i>LED UNIT CABLE</i>
SE-8000		CABLE BGX	<i>BGX WIRE</i>
SE-8001		CABLE BST	<i>BST WIRE</i>
SE-8002		CABLE COMMANDE POMPE 2GR	<i>2 UNITS PUMP CONTROL WIRE</i>
SE-8003		CABLE COMMANDE POMPE 3GR	<i>3 UNITS PUMP CONTROL WIRE</i>
SE-8006		CABLE ALIMENTATION CPU-BGX 24V AC/DC	<i>CPU-BGX 24V AC/DC ALIMENTATION WIRE</i>
SE-8007		CABLE ALIMENTATION BGX-BGX 24V AC/DC	<i>BGX-BGX 24V AC/DC ALIMENTATION WIRE</i>
SE-8008		CABLE GND CALANDRE	<i>FRONT PANEL GND WIRE</i>
TG-8012	0UN065	CABLE LIAISON USB	<i>USB LINK WIRE</i>

REF	DESIGNATION FR	DESIGNATION EN	C.N.	PIN	DESIGNATION PIN
FR-8028	CABLE ALIMENTATION MACHINE	MACHINE POWER WIRE			
FR-8031	CABLE ALIM MONO 220V UL/CSA	220V UL/CSA MACHINE POWER WIRE			
NZ-8004	CABLE LIAISON 485 CPU/BGX	LINK 485 CPU/BGX CABLE	CN12	4	
NZ-8005	CABLE LIAISON 485 BGX/BGX	LINK 485 BGX/BGX CABLE		4	
NZ-8006	CABLE LIAISON CPU/BTA	LINK CPU/BTA CABLE		14	
NZ-8007	CABLE DOSAMAT	DOSAMAT CABLE	CN4	4	
NZ-8011MP	CAPTEUR CHAUDIERE VAPEUR	STEAM BOILER SENSOR CABLE	CN11	1	TERRE / MASSE
				2/3	SONDE NIVEAU CHAUDIERE
				4/5/6	CAPTEUR PRESSION CHAUDIERE VAPEUR
				8/9/10	CAPTEUR PRESSION ENTREE D'EAU
NZ-8020	CMD RELAIS STATIQUE VAPEUR	STEAM SOLID STATE RELAY CABLE	CN4	1/2	RELAIS STATIQUE 3
				3/4	RELAIS STATIQUE 2
				5/6	RELAIS STATIQUE 1
NZ-8022	CABLE EV REMPLISSAGE 2GR	2 UNITS EV FEEDING CABLE	CN1	1/2	EVR
NZ-8023	CABLE EV REMPLISSAGE 3GR	3 UNITS EV FEEDING CABLE			
NZ-8038	CABLE CN9 CPU	CN9 CPU CABLE	CN9	1	TRANSFO
				2/6	BORNIER
				3/5	CONTACTEUR
				7/8	TS2
				9/10	TS1
				11/12	TSV
NZ-8039	CABLE CN8 CPU 3GR	3 UNITS CN8 CPU CABLE	CN8	3/4	TS3
NZ-8042	CABLE ALIM MONO 240V 50HZ	240V 50HZ MACHINE POWER WIRE			
NZ-8053	CABLE POUR LED GROUPE- EV	UNIT-EV CABLE FOR LED			
NZ-8054	CABLE LED GROUPE	LED UNIT CABLE			
SE-8000	CABLE BGX	BGX WIRE	CN11	1/9	EVP
				2/10	EVK
				3/10/11	DOGX
				4/5/13	CAPTEUR PRESSION GROUPE
				6/14	SONDE TEMPERATURE GROUPE
				8/16	RELAIS STATIQUE
SE-8001	CABLE BST	BST WIRE		1/7	EV STEAM
				2/8	EV EAU
				3/9/10	DOE
				5/11	SONDE STEAMAIR
SE-8002	CABLE COMMANDE POMPE 2GR	2 UNITS PUMP CONTROL WIRE	CN7	3/6	ALIMENTATION POMPE
SE-8003	CABLE COMMANDE POMPE 3GR	3 UNITS PUMP CONTROL WIRE			
SE-8006	CABLE ALIM CPU-BGX 24V AC/DC	CPU-BGX 24V AC/DC ALIM WIRE		8	
SE-8007	CABLE ALIM BGX-BGX 24V AC/DC	BGX-BGX 24V AC/DC ALIM WIRE		8	
SE-8008	CABLE GND CALANDRE	FRONT PANEL GND WIRE		1	
TG-8012	CABLE LIAISON USB	USB LINK WIRE	CN2	4	USB

## PLANCHE - PLATE 600

<b>REF</b>	<b>ELUX</b>	<b>DESIGNATIONS FR</b>	<b>DESIGNATIONS GB</b>
33126		COUPE COMPLETE BOTTOMLESS DOSAMAT	DOSAMAT BOTTOMLESS FILTER HOLDER
33127		COUPE COMPLETE BOTTOMLESS	BOTTOMLESS FILTER HOLDER
33426		FILTRE 2 TASSES 14 Gr 620 TROUS SP BARISTA	14Gr 620 HOLES BARISTA FILTER
33427		FILTRE 2 TASSES 18 Gr 620 TROUS SP BARISTA	18Gr 620 HOLES BARISTA FILTER
33428		FILTRE 3 TASSES 21Gr SP BARISTA	21Gr BARISTA FILTER
33434		FILTRE 2 TASSES 18Gr-320 TROUS	18Gr 320 HOLES BARISTA FILTER
33435		FILTRE 1 TASSE 12 Gr -192 TROUS	12Gr 192 HOLES BARISTA FILTER
92017	OUN222	BROSSE POUR NETTOYAGE GROUPE	BRUSH FOR CLEANING GROUP
92019		TASSOIR MANUEL DIAM 57MM UNIC NOIR	MANUAL TAMPER DIAM 57MM UNIC BLACK
92070		DOUCHETTE BARISTA	BARISTA SPRAY
92071		TASSOIR MANUEL NIVELEUR	MANUAL TAMPER LEVELER
92072		TAPIS BARISTA	BARISTA CARPET
92073		THERMOMETRE	THERMOMETER
92074		BALANCE	PRECISION SCALE
92075		KIT NETTOYAGE	CLEANING KIT
92076		POT A LAIT 35 CL INOX	INOX MILK POT 35 CL
92077		POT A LAIT 50 CL INOX	INOX MILK POT 50 CL
92078		POT A LAIT 75 CL INOX	INOX MILK POT 75 CL
92079		POT A LAIT 1 L INOX	INOX MILK POT 1 L
92080		CHIFFON MICROFIBRE	MICROFIBER CLOTH
92099		MALETTE A ACCESSOIRES BARISTA	ADVANCED BARISTA BOX
SE-1005		REFLECTEUR BARISTA	BARISTA MIRROR
SE-2045		REHAUSSE GRILLE BALANCE BARISTA	RAISE SCALE BALANCE BARISTA

92099 Malette à accessoires barista  
Advanced barista box

92019



92071



33126 (dosamat)  
33127



33435



33434



33426



33427



33428



92070



92017



92075



SE-1005



92072



92073



92074



SE-2045



92076  
0.35L



92077  
0.5L



92078  
0.75L



92079  
1L



92080



## PLANCHE - PLATE 601

REF	ELUX	DESIGNATIONS FR	DESIGNATIONS GB
33143		POIGNEE DE COUPE BOIS CHENE	HANDLE OAK WOOD
33144		POIGNEE DE COUPE BOIS WENGÉ	HANDLE WENGE WOOD
33145		POIGNEE DE COUPE CUIR	HANDLE LEATHER
33126BC		COUPE COMPLETE BOTTOMLESS DOSAMAT CHENE	DOSAMAT BOTTOMLESS FILTER HOLDER OAK
33126BF		COUPE COMPLETE BOTTOMLESS DOSAMAT WENGÉ	DOSAMAT BOTTOMLESS FILTER HOLDER WENGE
33126C		COUPE COMPLETE BOTTOMLESS DOSAMAT CUIR	DOSAMAT BOTTOMLESS FILTER HOLDER LEATHER
33127BC		COUPE COMPLETE BOTTOMLESS CHENE	BOTTOMLESS FILTER HOLDER OAK
33127BF		COUPE COMPLETE BOTTOMLESS WENGÉ	BOTTOMLESS FILTER HOLDER WENGE
33127C		COUPE COMPLETE BOTTOMLESS CUIR	BOTTOMLESS FILTER HOLDER LEATHER
33161BC		COUPE COMPLETE 1T AVEC CAPTEUR CHENE	1 CUP FILT. HOLDER WITH SENSOR OAK
33161BF		COUPE COMPLETE 1T AVEC CAPTEUR WENGÉ	1 CUP FILT. HOLDER WITH SENSOR WENGE
33161C		COUPE COMPLETE 1T AVEC CAPTEUR CUIR	1 CUP FILT. HOLDER WITH SENSOR LEATHER
33162BC		COUPE COMPLETE 2T AVEC CAPTEUR CHENE	2 CUP FILT. HOLDER WITH SENSOR OAK
33162BF		COUPE COMPLETE 2T AVEC CAPTEUR WENGÉ	2 CUP FILT. HOLDER WITH SENSOR WENGE
33162C		COUPE COMPLETE 2T AVEC CAPTEUR CUIR	2 CUP FILT. HOLDER WITH SENSOR LEATHER
33171BC		COUPE COMPLETE 1T AVEC RFID CHENE	1 CUP FILT. HOLDER WITH RFID OAK
33171BF		COUPE COMPLETE 1T AVEC RFID WENGÉ	1 CUP FILT. HOLDER WITH RFID WENGE
33171C		COUPE COMPLETE 1T AVEC RFID CUIR	1 CUP FILT. HOLDER WITH RFID LEATHER
33172BC		COUPE COMPLETE 2T AVEC RFID CHENE	2 CUP FILT. HOLDER WITH RFID OAK
33172BF		COUPE COMPLETE 2T AVEC RFID WENGÉ	2 CUP FILT. HOLDER WITH RFID WENGE
33172C		COUPE COMPLETE 2T AVEC RFID CUIR	2 CUP FILT. HOLDER WITH RFID LEATHER
33181BC		COUPE COMPLETE 1T CHENE	1 CUP FILTER HOLDER OAK
33181BF		COUPE COMPLETE 1T WENGÉ	1 CUP FILTER HOLDER WENGE
33181C		COUPE COMPLETE 1T CUIR	1 CUP FILTER HOLDER LEATHER
33182BC		COUPE COMPLETE 2T CHENE	2 CUPS FILTER HOLDER OAK
33182BF		COUPE COMPLETE 2T WENGÉ	2 CUPS FILTER HOLDER WENGE
33182C		COUPE COMPLETE 2T CUIR	2 CUPS FILTER HOLDER LEATHER

Pour les portes filtres en cuir, faire une demande spécifique pour la couleur du cuir.  
*For leather filter holder, do specific order for the leather color.*

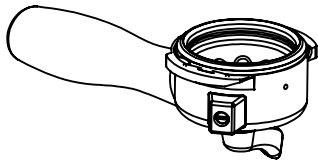
33143



33144

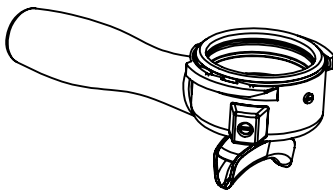
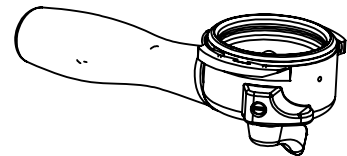


33145 cuir générique / *leather generic*



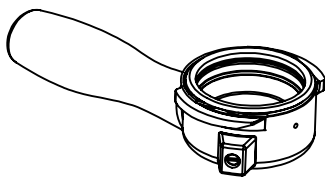
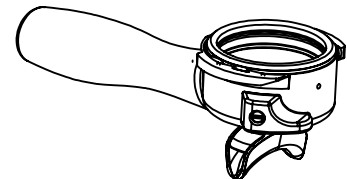
33161BC  
33161BF  
33161C

33171BC  
33171BF  
33171C



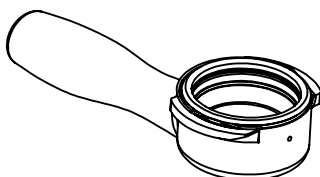
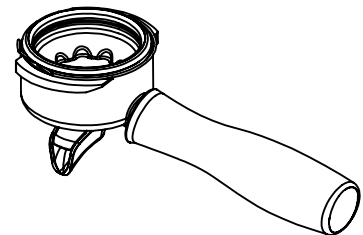
33162BC  
33162BF  
33162C

33172BC  
33172BF  
33172C



33126BC  
33126BF  
33126C

33181BC  
33181BF  
33181C



33127BC  
33127BF  
33127C

33182BC  
33182BF  
33182C

