

SPARE
PARTS

PONY 2



PONY 4

PIÈCES
DÉTACHÉES

Le fabricant se réserve le droit de modifier sans préavis les caractéristiques de l'appareil, dans un souci d'amélioration de ses performances.
Lire attentivement les consignes de sécurité avant toute utilisation.

*The manufacturer reserves the right to modify the appliances presented in this publication without notice.
Read carefully the safety instructions before use.*

RB9009 03/2019

Partstown 7-21



Pony 2-4 PM Schedule

Mar-21 Unic Pony 2/4 PM Parts	Unic Parts Listing Description	QTY PNY2	QTY PNY4	Part #	Page # from RB9009	Years		
						6 month	1, 3, 5	2, 4, 6
General Service								
Adjust Steam Pressure to 1.1 bar						✓		
Adjust pump pressure to 9-10 bars						✓		
Pod Group Service								
Remove and Clean Groups						✓		
Adjust outlet dial setting from 4 to 8	Only if leaking from edge of pod					✓		
Replace if Clogged or Dirty:								
Complete Coffee Outlet with Dial	WHOLE HEAD OUTLET	2	4	3001004-KP	470	✓		
Pod Group Replacement								
Facotec Group Complete	FULL UNIT	2	4	RB-1037	460		✓	✓
Connector Post O Rings	O RING - 4,48 X 1,78	8	16	RR-38	460		✓	✓
Silicone Outlet Tube	SILICONE SLEEVE COFFEE OUTLET	2	4	RB-6511	460		✓	✓
Poly Spout Tube	PTFE PIPE COFFEE OUTLET	2	4	RB-6510	460		✓	✓
Brew Valve Manifold Service (In place)								
Gicleur Jet 0.7mm	JET DIAM. 0.7	2	4	23117	340		✓	✓
Gicleur Jet O Ring	GASKET - 1.78 X 2.90 FKM	2	4	TC-80	340		✓	✓
Gicleur Jet Holder O Ring	O RING - 2 X 9,5	2	4	28134	340		✓	✓
Filter Screen	BALL PLUG FILTER	1	2	PE-52	340		✓	✓
Filter Screen O Ring	O RING - 13,95 X 2,62	1	2	PH-54	340		✓	✓
Brew Valve Manifold Service (Remove manifold from machine)								
Heat-Exchange Inlet Fitting O Ring	GASKET - 2,62 X 15,88	1	2	PE-5	340			✓
Heat-Exchange Flange O Ring	GASKET - 36,09 X 3,53	1	2	PE-28	340			✓
Brew Valve O Ring	O RING - 6,07 X 1,78	4	8	27737	340			✓
Brew Valve Outlet Fitting O Ring	GASKET - 6.07 X 1.78	2	4	CN-198	340			✓
Steam/Water Wands Service								
Upper Wand O Ring	O RING - 13,95 X 2,62	2	3	PH-54	200		✓	✓
Lower (Swivel) Wand O Ring	O RING - 9,13 X 2,62	2	3	PH-78	200		✓	✓
Wand Spring	SPRING	2	3	PA-43	200		✓	✓
Copper Tension Washer	COPPER GASKET	2	3	AG-14	200		✓	✓
Wand Spring Holder	BRASS END	2	3	RR-67	200		✓	✓
SteamAir Wand Service (if installed)								
Spring-Loaded Bearing Insert	THRUST BALL BEARING	2	2	RO-58	242		✓	✓
Set Screw M5x8mm	POINT END SCREW	1	1	PC-38	242		✓	✓
PTFE Steam Tube O Ring	O RING - 2 X 9,5	2	2	28134	242		✓	✓
Stainless Extension Tube O Ring	O RING - 9,13 x 2,62	1	1	PH-78	242		✓	✓
12 Hole PTFE Steam Tip	12 HOLES TIP	1	1	25909	242		✓	✓

Mar-21 Unic Pony 2/4 PM Parts	Unic Parts Listing Description	QTY PNY2	QTY PNY4	Part #	Page # from RB9009	Years		
						6 month	1, 3, 5	2, 4, 6
General Service Parts								
Drain Tray O Ring	O RING - 2,62 X 17,13	1	1	27845	310;311		✓	✓
Anti-Vacuum Kit Complete		1	1	27224	200			✓
Level Probe Insulation	LEVEL PROBE INSULATION	1	1	NA-71	340			✓
Level Probe Compression Nut	LEVEL PROBE COMPRESSION NUT	1	1	NA-70	340			✓
Level Probe - L:130mm	LEVEL PROBE L=130	1	1	CN-670	340			✓
Flowmeter Impeller	TURBINE	1	2	CN-829	331			✓
Flowmeter O Ring	GASKET - DOSING DEVICE	1	2	CN-828	331			✓
Steam Boiler Safety Valve (3bar)	LP VALVE 1/8	1	1	27200	340			✓
Recommended Spare Parts								
Top Group Cover Door Assembly	WHOLE TRAPDOOR SECURITY	1	2	RB1201	125			
Waste Drawer Switch	DRAWER SECURITY MICRO SWITCH	1	2	43521	112; 113			
Red 4mm Tube O Ring	RED GASKET	10	20	3008008	470			
4mm Tube Clip	CLIPS	10	20	3001019	470			
Pod Holder Bracket	BRACE	2	4	3001016	470			
Complete Inlet with Tri-Wing Ejector	WHOLE HEAD INLET	2	4	3001001KP	470			
Brew Valve Complete with Coil	ELECTROVANNE 3V 24V 50/60Hz	2	4	PI-45R	340			
Heating Element O Ring	GASKET - 66,68 X 3,53	1	1	CV-20	501			
Pressurestat (Sirai - UL)	PRESSURESTAT UL - SIRAI	1	1	AE-53A	501			
Service Boiler Filling Valve	ELECTROVALVE 2W ADJ. W/O COIL	1	1	CN-631W	330; 331			
Service Boiler Filling Valve Filter Screen	FILTER	1	1	25400	330; 331			
Group Hydraulic Valve	ELECTROVALVE 3 W 24V D1,2	2	4	35010	325; 326			
Copper Gasket - 3/8	WASHER - COPPER - 3/8	2	3	CH-16	330			
Expansion Valve Complete (13bar)	COMPLET H.P. VALVE	1	1	DO-191	310; 331			
Copper Gasket with 2mm Orifice	WASHER 1/4 D:2	3	4	DV-203	250; 330			
O Ring - 2 x 9.5mm	O RING - 2 X 9,5	8	15	28134	325; 326; 310; 331			
Flat Rubber Gasket	GASKET - 20 X 12 X 2	2	3	28352	200; 250			
Flowmeter Sending Unit	WATER DOSING DEVICE LID	1	2	CN-827	331			
Hot Water Valve	ELECTROVALVE 2W W/O COIL	1	1	CN-245W	250			
Steam Valve	ELECTROVALVE 3W 24V	1	2	35140	200			

PIECES DETACHEES DE 1ERE URGENCE SPECIFIQUES AUX PONY 2/4

REF	DESIGNATION	DESIGNATION	QTE
12743	TUBE SILICONE POUR DECOMPRESSION	SILICONE PIPE FOR DECOMPRESSION	1 Mètre
22700	COUDE 1/8	CROOKED FITTING 1/8	2
34406	SONDE VAPEUR THERMOSTATEE	PROBE	1
35010	EV 3V-PISTON	ELECTROVALVE 3W	1
35012	BOBINE EV 24V	SOLENOID COIL	2
43405	INTERRUPTEUR EAU CHAUDE	HOT WATER SWITCH	1
43406	INTERRUPTEUR VAPEUR	STEAM SWITCH	1
43520	SWITCH SECURITE CAPOT	TRAPDOOR SECURITY SWITCH	1
43521	SWITCH SECURITE TIROIR	DRAWER SECURITY SWITCH	1
44201	TRANSFORMATEUR TOROIDAL 70VA	TRANSFORMER 70VA	1
45143	BOITIER STEAMAIR	ELECTRONIC BOX	1
45144	CARTE MODULE 1 ET 2 GR	CPU 1 AND 2 UNITS	1
45145	CARTE MODULE 2GR	CPU FOR 2 UNITS	1
45146	BOITIER GROUPE	ELECTRONIC BOX	2
45312	CARTE CELLULE PHOTO	PHOTOELECTRIC CIRCUIT	1
52820	CIRCLIPS DIAM 7 INOX	SNAP RING D7 STAINLESS	2
CN-245R	EV 2V 24V	ELECTROVALVE 2W	1
CN-631R	EV DE REMPLISSAGE	ELECTROVALVE	1
CS-1060	CAPSULE DE NETTOYAGE	CLEANING CAPSULE	2
RB-0100	SUPPORT PASTILLE SILICONE DECOUPE	PELLET HOLDER	2
RB-1037	GROUPE ESE COMPLET	ESE GROUP	2
RB-1120	ENTONNOIR NETTOYAGE	FUNNEL CLEANING	2
RB-1200	TIROIR A DOSETTES COMPLET	WHOLE POD CONTAINER	1
RB-6031	TUBE FLEXI 4X6 PISTON ESE	FLEX PIPE 4X6	4
RB-6510	MANCHON SILICONE POUR SORTIE CAFE	SILICONE SLEEVE COFFEE OUTLET	0.02 mètre
RB-6511	TUBE PTFE POUR SORTIE CAFE	PTFE PIPE COFFEE OUTLET	0.15 Mètre
RB-6530	TUBE PTFE CAFE	PTFE PIPE COFFEE	4
RB-8000	CABLE PLAT CAPOT	FLAT CABLE TRAPDOOR	1
RR-38	JOINT TORIQUE	O-RING	6

PIECES DETACHEES SPECIFIQUES AU GROUPE ESE RB-1037

1507710	VIS DE FILTRE	FILTER SCREW	6
1507711	VIS DE BEC 3x10	SPOUT SCREW	3
1507713	VIS DE BEC 3x15	SPOUT SCREW	1
3001001KP	TETE D'ENTREE	WHOLE HEAD INLET	1
30-01004KP	TETE DE SORTIE	WHOLE HEAD OUTLET	1
30-01-014-KP	ENSEMBLE PISTON/CYLINDRE	PISTON / CYLINDER FULL	1
30-01016	ETRIER	BRACKET	2
3001018	BEC	SPOUT	1
3001019	CLIPS	CLIPS	6
3006002	FILTRE DIAMETRE 0.3	FILTER D0.3	4
3008002	EJECTEUR SILICONE	SILICONE EJECTOR	4
3008005	JOINT EPDM	EPDM O-RING	10
3008008	JOINT SILICONE	SILICONE O-RING	10
3008010	JOINT SILICONE R6	SILICONE GASKET R6	2
3009001K135	TUBE CAFE	COFFEE PIPE WITH FITTING	1
3009001K210	TUBE VERIN	JACK PIPE WITH FITTING	1
3510001	RESSORT EJECTEUR	EJECTOR SPRING	4

PIECES DETACHEES SPECIFIQUES AU GROUPE ESE RB-1137

3001014KP	ENSEMBLE PISTON/CYLINDRE	PISTON / CYLINDER FULL	1
3001019	CLIPS	CLIPS	6
3008008	JOINT SILICONE	SILICONE O-RING	10
3009001K155	TUBE CAFE	COFFEE PIPE WITH FITTING	1
3009001K210	TUBE VERIN	JACK PIPE WITH FITTING	1
3501010K	ASSEMBLAGE ETRIER FAP	FAP BRACKET ASSEMBLY	2
35-02-006-K1	ASSEMBLAGE TETE ENTREE FAP	FAP INLET HEAD ASSEMBLY	1
35-03-002-K1	ASSEMBLAGE TETE SORTIE FAP	FAP OUTLET HEAD ASSEMBLY	1
35-10-001	RESSORT EJECTEUR	EJECTOR SPRING	4

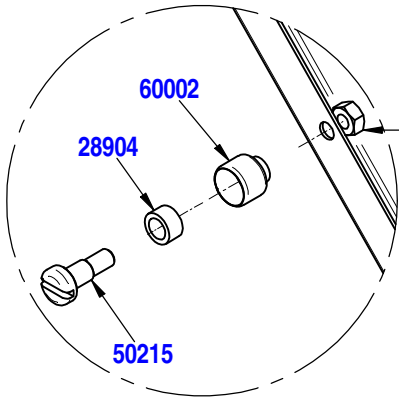
PIECES DETACHEES
SPARE PARTS

1XX	HABILLAGE	MACHINE CASING
110	HABILLAGE PONY	PONY CASING
111	ENSEMBLE CHARIOT BASSINE & PIEDS	SET OVERFLOW TRAY & FEET
112	ENSEMBLE DEVANT& TIROIR PONY 2	PONY 2 FRONT & DRAWER PANEL
113	ENSEMBLE DEVANT& TIROIR PONY 4	PONY 4 FRONT & DRAWER PANEL
120	CALANDRE PONY	FRONT PANEL PONY
125	SOUS ENSEMBLE CAPOT SECURITE ESE	HOOD SECURITY PANEL
126	SOUS ENSEMBLE CAPOT SECURITE FAP	HOOD SECURITY PANEL
2XX	SORTIES EXTERIEURES	EXTERNAL OUPUT
200	ENSEMBLE TUBE & EV SORTIE VAPEUR	SET TUBE & EV STEAM OUTLET
212	SORTIE VAPEUR INOX V+	STEAM OUTLET V+ STAINLESS STEEL
232	SORTIE VAPEUR REGLABLE	ADJUSTABLE STEAM OUTLET
242	SORTIE STEAMAIR	STEAMAIR V+ OUTLET
244	SORTIE CAPPUCCINO PAR ASPIRATION	CAPPUCCINO BY ASPIRATION OUTLET
246	SORTIE CAPPUCCINO PAR ASPIRATION	CAPPUCCINO BY ASPIRATION OUTLET
248	SORTIE CAPPUCCINO A BARRILLET	CAPPUCCINO OUTLET
250	TUBE & EV SORTIE EAU CHAUDE	PIPE & EV HOT WATER OUTLET
272	SORTIE EAU CHAUDE REGLABLE (GRANDE)	ADJUSTABLE HOT WATER OUTLET (TALL)
3XX	HYDRAULIQUE	HYDRAULIC SYSTEM
302	CIRCUIT HYDRAULIQUE PONY 2	HYDRAULIC CIRCUIT PONY 2
304	CIRCUIT HYDRAULIQUE PONY 4	HYDRAULIC CIRCUIT PONY 4
310	ENTREE D'EAU & VIDANGE PONY 2	INLET WATER & DRAIN PONY 2
311	ENTREE D'EAU & VIDANGE PONY 4	INLET WATER & DRAIN PONY 4
320	POMPES 100L-200L	100L-200L PUMPS
325	ENSEMBLE ELECTROVANNE PISTON PONY 2	PISTON ELECTROVALVE SET
326	ENSEMBLE ELECTROVANNE PISTON PONY 4	PISTON ELECTROVALVE SET
330	DOSEURS D'ALIMENTATION 1GR	WATER DOSING 1 UNIT
331	DOSEURS D'ALIMENTATION 2GR	WATER DOSING 2 UNIT
340	CHAUDIERE & BRIDE DE CHAUDIERE PONY	PONY BOILER & FLANGE BOILER
4XX	CIRCUIT CAFE	COFFEE SYSTEM
460	GROUPE ESE	PONY 2,4 ESE UNIT
461	DETAILS GROUPE ESE (DOSETTE)	PONY 2,4 ESE UNIT DETAILS
465	GROUPE FAP	PONY 2,4 FAP UNIT
466	DETAILS GROUPE FAP	PONY 2,4 FAP UNIT DETAILS
5XX	ELECTRONIQUE	ELECTRONIC SYSTEM
500	COMPOSANTS ELECTRIQUES PONY 2	ELECTRICAL COMPONENTS
501	COMPOSANTS ELECTRIQUES PONY 4	ELECTRICAL COMPONENTS
502	CONNECTEURS CARTE CPU	CPU CARD CONNECTORS
503	FUSIBLES CARTE CPU	CPU CARD FUSES
510	SCHEMA DE PRINCIPE DE CABLAGE PONY 2	DIAGRAM WIRING PONY 2
515	SCHEMA DE PRINCIPE DE CABLAGE PONY 4	DIAGRAM WIRING PONY 4
516	SCHEMA DE PRINCIPE DE CABLAGE PONY 4 (TRIPHASE)	(THREE PHASE) DIAGRAM WIRING PONY 4
6XX	OPTION/KIT	OPTION/KIT

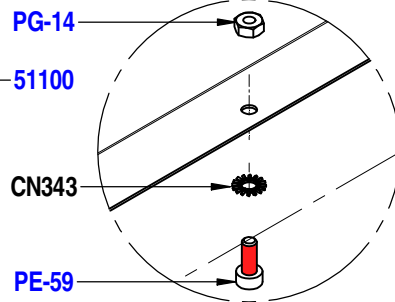
PLANCHE - PLATE 110

REF	DESIGNATIONS FR	DESIGNATIONS GB
28904	RESSORT ELASTOMERE	RUBBER SPRING
50125	VIS TB CRUCIFORME A EMBASE M4 x 8	CRUCIFORM SCREW M4 x 8
50215	VIS EPAULEE COTE	SIDE SCREW
51100	ECROU M5 INOX	NUT M5
60002	DOUILLE RESSORT ELASTOMERE	RUBBER SPRING SOCKET
DO-195	VIS ACIER INOX TC 4 X 12	SCREW M4 X 12
FR-4056	VIS SPECIAL COTE	SIDE SCREW
PE-59	VIS TCHC M4x10 INOX	SCREW 4 X 10
PG-14	ECROU M4	NUT M4
PG-15B	RONDELLE INOX 4.2X10X0.8	WASHER
RB1410	COTE GAUCHE MIRA HAUTE MONTE	COMPLET LEFT SIDE HIGH MIRA
RB1411	COTE DROITE MIRA HAUTE MONTE	COMPLET RIGHT SIDE HIGH MIRA
RB-3007	PLEXI COTE GAUCHE	LEFT SIDE PLEXIGLASS
RB-3008	PLEXI COTE DROIT	RIGHT SIDE PLEXIGLASS
RB-3009	COTE GAUCHE SCOTCH BRITE HAUT	LEFT SIDE HIGH
RB-3010	COTE DROIT SCOTCH BRITE HAUT	RIGHT SIDE HIGH
RB-3026	CHAUFFE TASSE 1GR	1 UNIT CUP WARMER
RB-3027	CHAUFFE TASSE 2GR	2 UNITS CUP WARMER
RB-3028	VERRIERE L300	CUP RACK
RB-3042	CHEMISE ARRIERE	REAR CASING
RB-3083	ENJOLIVEUR BASSINE GAUCHE PONY 2-4	ORNAMENTAL LEFT
RB-3084	ENJOLIVEUR BASSINE DROIT PONY 2-4	ORNAMENTAL RIGHT

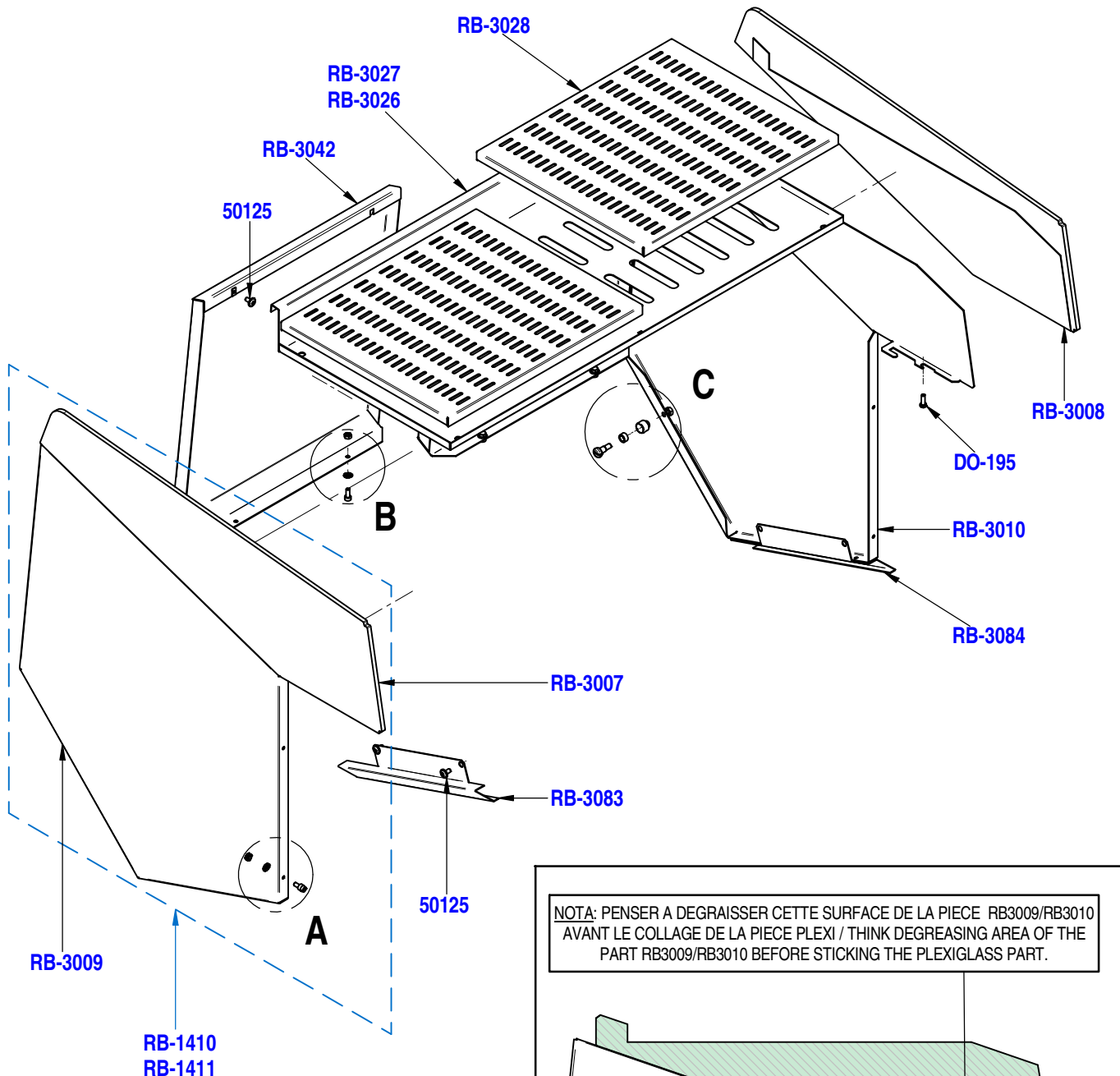
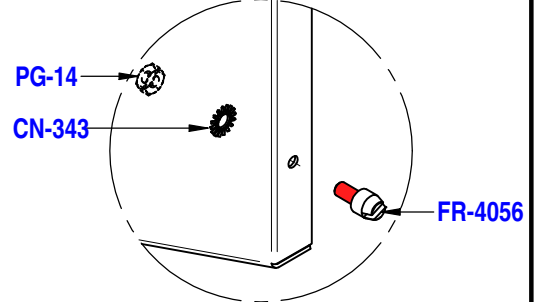
DETAIL C



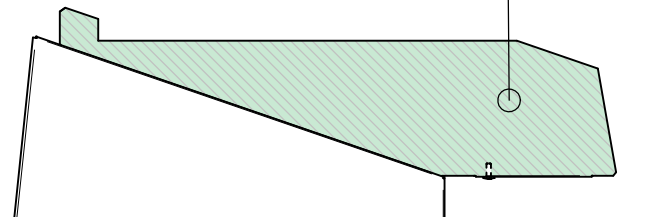
DETAIL B



DETAIL A



NOTA: PENSER A DEGRAISSER CETTE SURFACE DE LA PIECE RB3009/RB3010 AVANT LE COLLAGE DE LA PIECE PLEXI / THINK DEGREASING AREA OF THE PART RB3009/RB3010 BEFORE STICKING THE PLEXIGLASS PART.

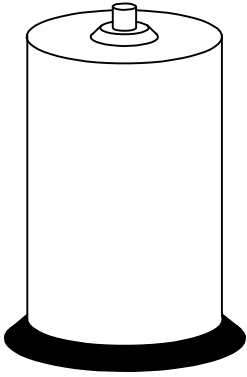


 Loctite 262

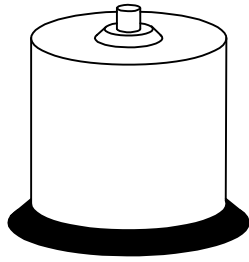
PLANCHE - PLATE 111

REF	DESIGNATIONS FR	DESIGNATIONS GB
45939	ADHESIF PIED MACHINE	STICKER FOOT
50204	VIS TH M5 x 10 INOX	SCREW M5 X 10
50402	VIS TCHC TETE BASSE M8X16 INOX	S.STEEL SCREW M8 X 16
51100	ECROU M5 INOX	NUT M5
51150	ECROU NYLSTOP M6	NUT NYLSTOP M6
DV4030	PIED ALU H30	FOOT H30
NM-002	PIED CAOUTCHOUC NOIR	FOOT
NM-1068	KIT PIED ALU H30	HIGH FEET KIT
NM-1069	KIT PIED ALU H44,5	HIGH FEET KIT
NM-1076	KIT PIED ALU H74,5	HIGH FEET KIT
NM-176	PIED ALU POUR MACHINE NSF	FOOT FOR NSF MACHINE
NM-236	PIED ALU D50 H44.5	FOOT H44.5
NZ-7024	PATIN PIED ARRIERE	REAR RUBBER FOOT
RB-1451	KIT CHARIOT BASSINE 1GR	TROLLEY OVERFLOW TRAY KIT FOR 1 UNIT
RB-1452	KIT CHARIOT BASSINE 2GR	TROLLEY OVERFLOW TRAY KIT FOR 2 UNITS
RB-3031	DEVANT DE BASSINE 1GR	OVERFLOW TRAY FRONT 1GR
RB-3032	DEVANT DE BASSINE 2GR	OVERFLOW TRAY FRONT 2GR
RB-3051	BASSINE 1GR	1 UNIT OVERFLOW TRAY
RB-3052	BASSINE 2GR	2 UNITS OVERFLOW TRAY
RB-3061	GRILLE DE BASSINE 1GR	1 UNIT OVERFLOW TRAY GRID
RB-3062	GRILLE DE BASSINE 2GR	2 UNITS OVERFLOW TRAY GRID
RB-4002	RONDELLE EPAULEE	WASHER
TG-2004	RONDELLE TOLE	SHEET METAL WASHER
TG-4000	ENJOLIVEUR JOUE DE BASSINE G	LEFT ORNAMENTAL OVERFLOW TRAY
TG-4002	ENJOLIVEUR JOUE DE BASSINE D	RIGHT ORNAMENTAL OVERFLOW TRAY
TG-4005	AXE JOUE DE BASSINE	AXLE
TG-4006	BAGUE EPAULEE	PLASTIC RING
TG-7000	JOUE DE BASSINE GAUCHE	LEFT ORNAMENTAL HOLDER
TG-7002	JOUE DE BASSINE DROITE	RIGHT ORNAMENTAL HOLDER

KIT PIED ALU H74.5
REF: **NM-1076**



KIT PIED ALU H44.5
REF: **NM-1069**



KIT PIED ALU H30
REF: **NM-1068**

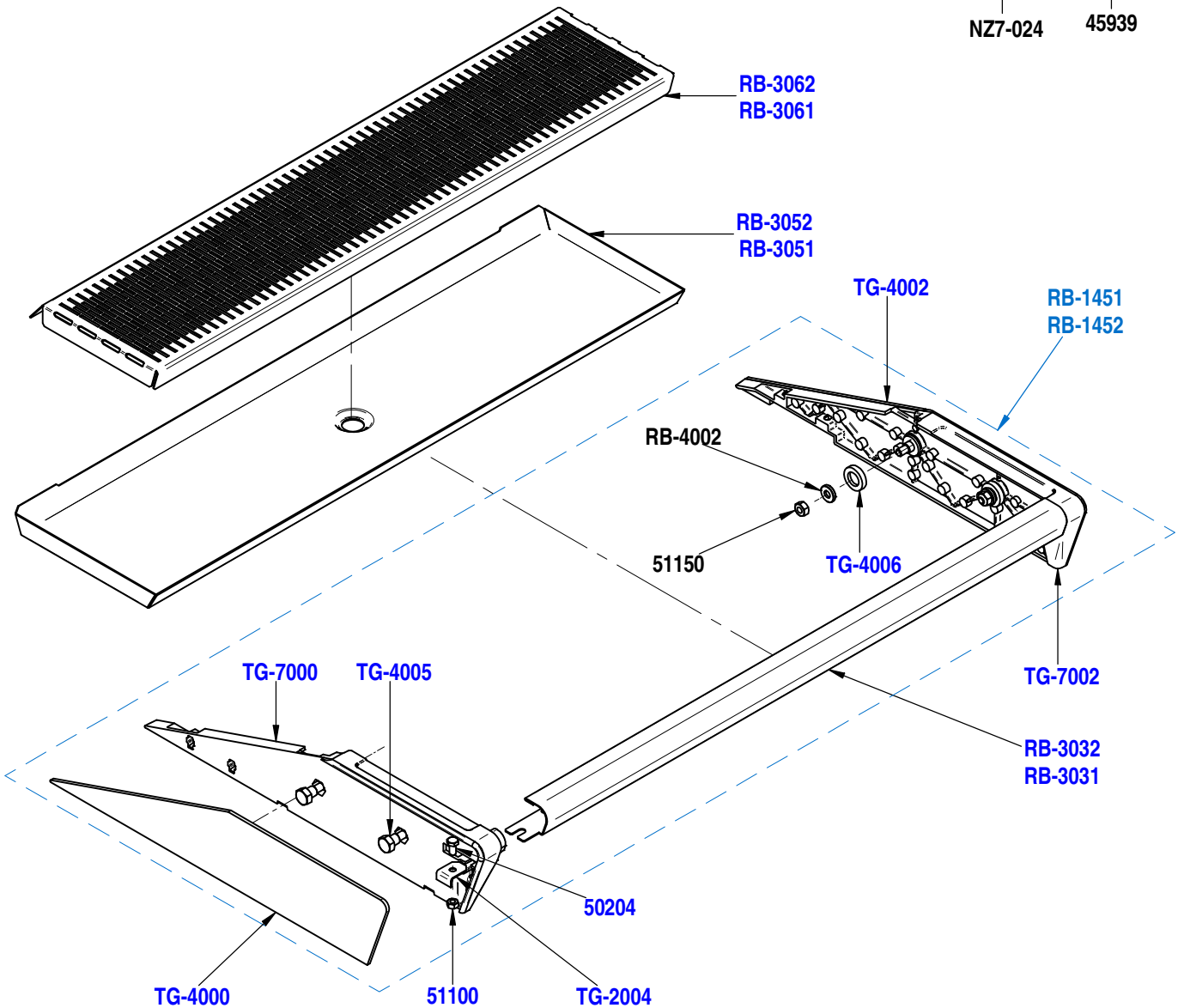
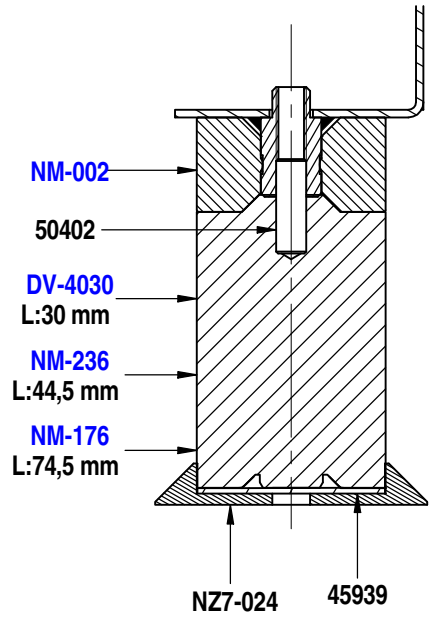
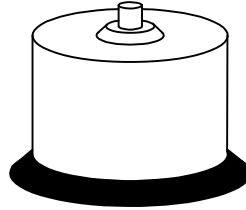


PLANCHE - PLATE 112

REF	DESIGNATIONS FR	DESIGNATIONS GB
43521	MICRO SWITCH SECURITE TIROIR	DRAWER SECURITY MICRO SWITCH
50125	VIS TB CRUCIFORME A EMBASE M4 x 8	CRUCIFORM SCREW M4 x 8
50716	VIS TCBZ 3X8	SCREW TCBZ 3X8
51100	ECROU M5 INOX	NUT M5
53800	AIMANT DIAM. 10 X 10	MAGNET 10 X 10
CF-194	RONDELLE LAITON DE 5 MOYENNE	WASHER
CN-661	ECROU CAGE M4, EP 1/1.6	INSERT NUT M4
DO-195	VIS ACIER INOX TC 4 X 12	SCREW M4 X 12
ID-38	VIS INOX TF 4 x 30	SCREW M4 X 30
ID-82E	MANOMETRE DOUBLE 3,5 x 20 B.	MANOMETER
RB-1112	ENSEMBLE TOLE PROTECTION PONY 2	SHEET METAL PROTECTION SET PONY 2
RB-1115	ENSEMBLE PORTE AIMANT TIROIR	DRAWER MAGNET SET
RB-1200	KIT TIROIR A DOSETTES	POD CONTAINER KIT
RB-2012	CLOCHE MANOMETRE	BELL PRESSURE GAUGE
RB-2025	PLAQUE AIMANT	MAGNET PLATE
RB-2055	TRAPPE CAISSON CALANDRE	HATCH CASING
RB-3066	GRILLE SUSPENDUE	SUSPENDED GRID
RB-3123	DEVANT GAUCHE PONY 2	LEFT FRONT
RB-3124	DEVANT DROIT PONY 2	RIGHT FRONT
RB-4022	BAGUE REGLAGE AIMANT	RING SETTING MAGNET
RB-4023	PORTE AIMANT FILETE	HOLDER MAGNET THREADED
RB-4040	SUPPORT TABLETTE	SHELF HOLDER
RB-7008	BAC A CAPSULE	CAPSULE CONTAINER
RB-7011	BEC SEPARATEUR REPATITEUR ESE	ESE SPOUT
RB-7020	GOULOTTE PONY 2,4	CHUTE FOR PONY 2,4
RO-13	VIS INOX TC 4 x 10	SCREW M4 X 10 -

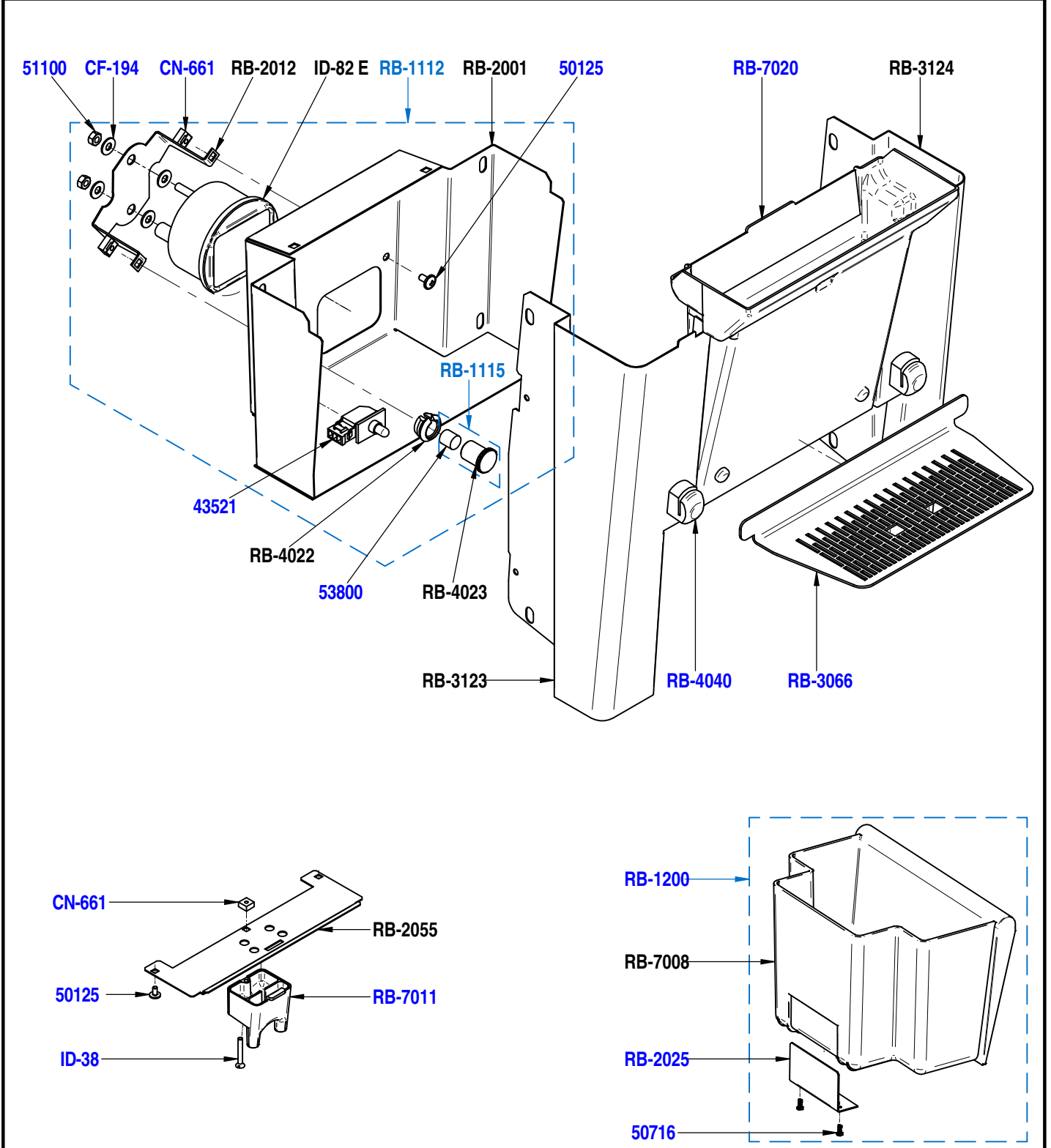
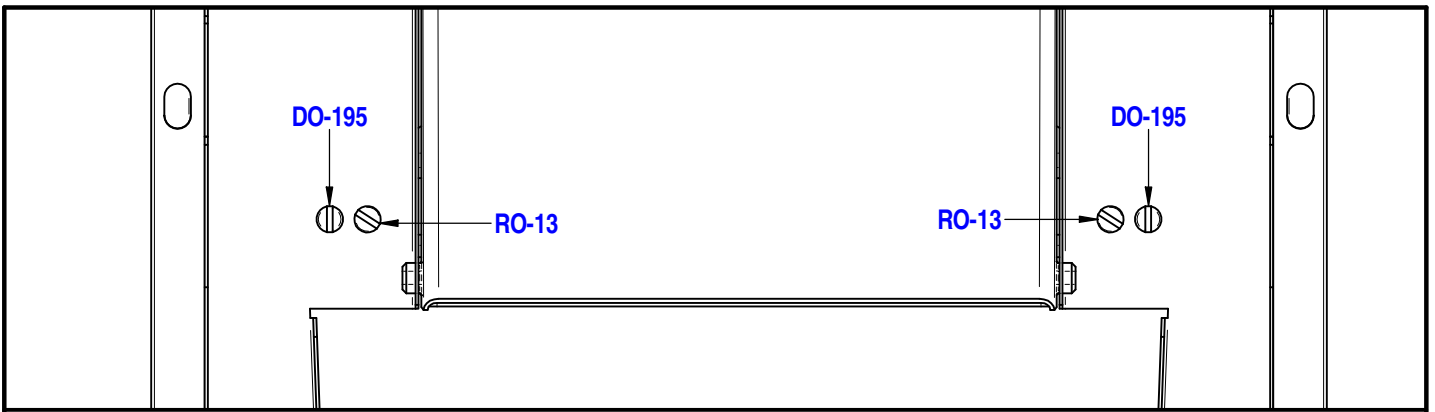


PLANCHE - PLATE 113

REF	DESIGNATIONS FR	DESIGNATIONS GB
43521	MICRO SWITCH SECURITE TIROIR	DRAWER SECURITY MICRO SWITCH
50125	VIS TB CRUCIFORME A EMBASE M4 x 8	CRUCIFORM SCREW M4 x 8
50716	VIS TCBZ 3X8	SCREW TCBZ 3X8
53800	AIMANT DIAM. 10 X 10	MAGNET 10 X 10
CN-189	VIS TC M4 X 16 INOX	SCREW M4 X 16
CN-23	VIS INOX TF 4 x 12	SCREW M4X12 CSH
CN-661	ECROU CAGE M4, EP 1/1.6	INSERT NUT M4
DO-195	VIS ACIER INOX TC 4 X 12	SCREW M4 X 12
DV-44	VIS TH M4X10 ACIER	SCREW M4x10
ID-38	VIS INOX TF 4 x 30	SCREW M4 X 30
ID-82E	MANOMETRE DOUBLE 3,5 x 20 B.	MANOMETER
RB-1113	ENSEMBLE TOLE PROTECTION PONY 4	SHEET METAL PROTECTION SET PONY 4
RB-1115	ENSEMBLE PORTE AIMANT TIROIR	DRAWER MAGNET SET
RB-1200	KIT TIROIR A DOSETTES	POD CONTAINER KIT
RB-2011	TOLE PROTECTION 2GR	SHEET METAL OF 2 UNITS PROTECTION
RB-2012	CLOCHE MANOMETRE	BELL PRESSURE GAUGE
RB-2025	PLAQUE AIMANT	MAGNET PLATE
RB-2035	RENFORT DEVANT 2GR	2 UNITS FRONT DOUBLER
RB-2055	TRAPPE CAISSON CALANDRE	HATCH CASING
RB-3066	GRILLE SUSPENDUE	SUSPENDED GRID
RB-3120	TOLE CENTRALE	CENTRAL FRONT
RB-3121	DEVANT GAUCHE	LEFT FRONT
RB-3122	DEVANT DROIT	RIGHT FRONT
RB-4022	BAGUE REGLAGE AIMANT	RING SETTING MAGNET
RB-4023	PORTE AIMANT FILETE	HOLDER MAGNET THREADED
RB-4040	SUPPORT TABLETTE	SHELF HOLDER
RB-7008	BAC A CAPSULE	CAPSULE CONTAINER
RB-7011	BEC SEPARATEUR REPATITEUR ESE	ESE SPOUT
RB-7020	GOULOTTE PONY 2,4	CHUTE FOR PONY 2,4
RO-13	VIS INOX TC 4 x 10	SCREW M4 X 10 -

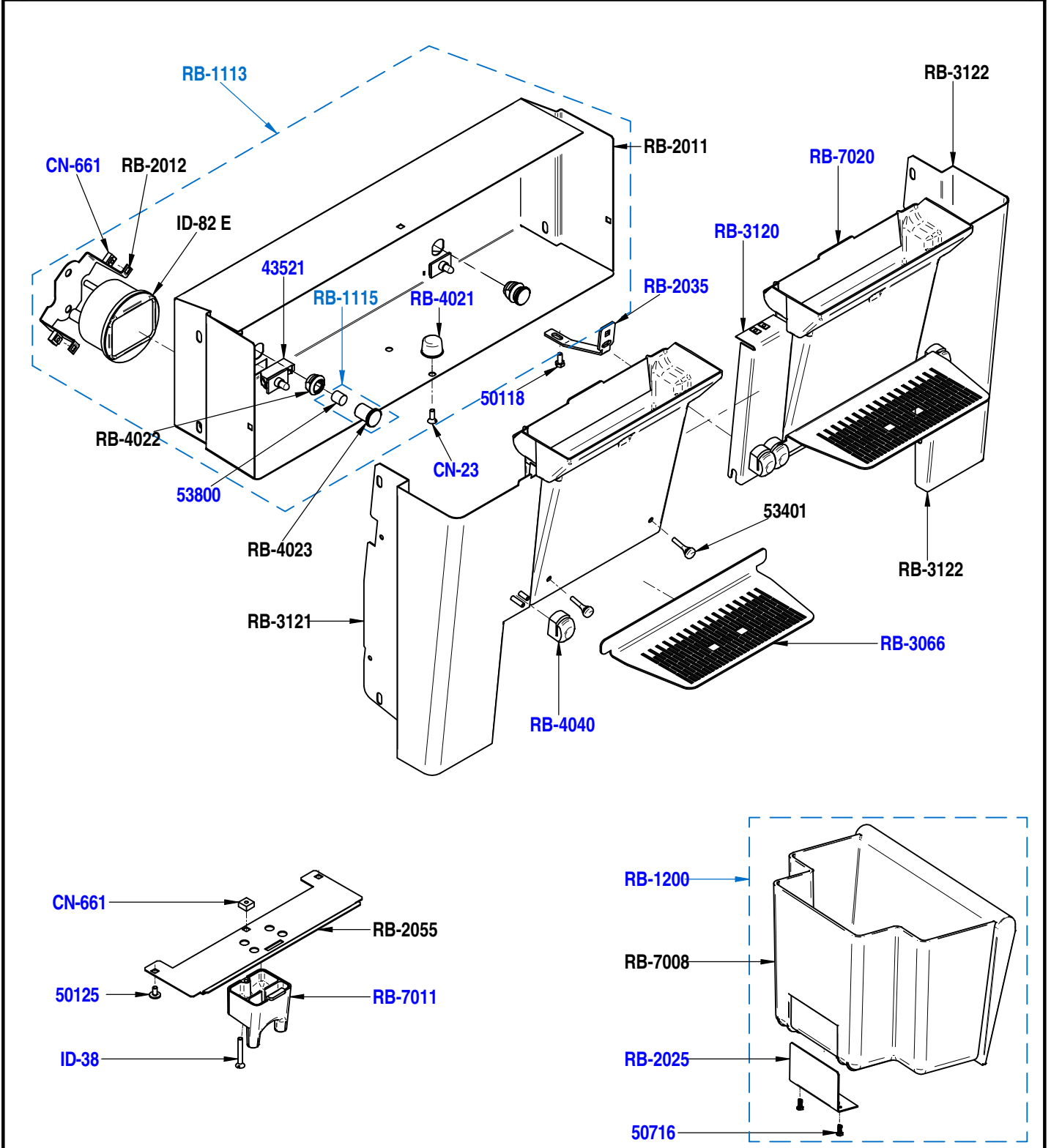
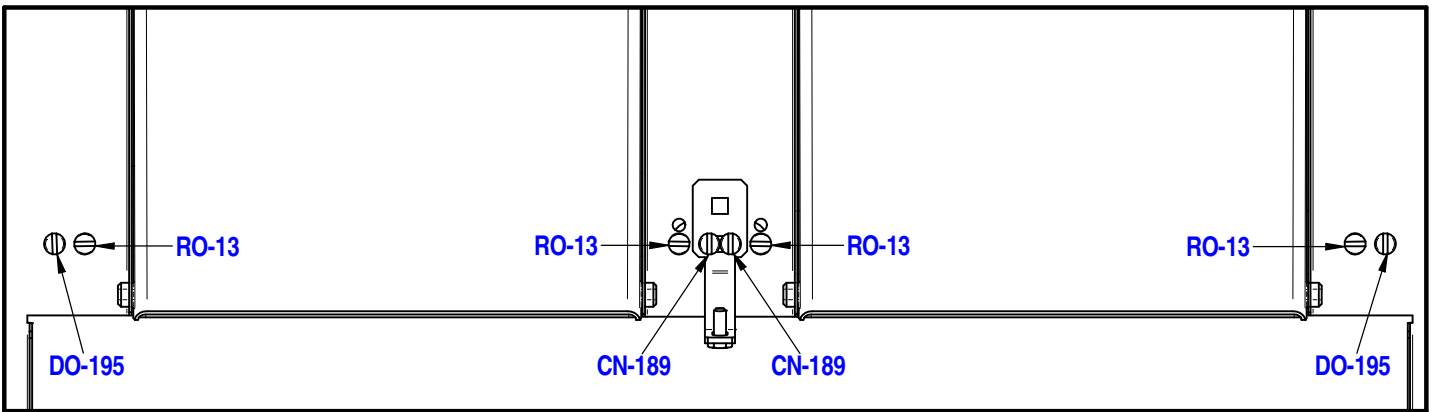


PLANCHE - PLATE 120

REF	DESIGNATIONS FR	DESIGNATIONS GB
43405	INTERRUPTEUR EAU CHAUDE	HOT WATER SWITCH
43406	INTERRUPTEUR VAPEUR	STEAM SWITCH
45143	BOITIER ELECTRONIQUE STEAMAIR	ELECTRONIC BOX
45146	BOITIER CLAVIER GROUPE TACTILE PONY 2,4	ELECTRONIC BOX
45628	LEGENDE CLAVIER STEAMAIR	STEAMAIR KEYBOARD PICTURE
45637	LEGENDE CLAVIER	KEYBOARD PICTURE
50125	VIS TB CRUCIFORME A EMBASE M4 x 8	CRUCIFORM SCREW M4 x 8
50708	VIS AUTOFORMEUSE 3X14	SCREW 3X14
CN-128	VIS INOX TF M4 X 8	SCREW M4 X 8
PE-59	VIS TCHC M4x10 INOX	SCREW 4 X 10
PG-15B	RONDELLE INOX 4.2X10X0.8	WASHER
RB-1130	CALANDRE PONY 2 STEAMAIR	PONY 2 FRONT PANEL STEAMAIR
RB-1131	CALANDRE PONY 2	PONY 2 FRONT PANEL
RB-1132	CALANDRE PONY 4	PONY 4 FRONT PANEL
RB-1133	CALANDRE PONY 4 STEAMAIR	PONY 4 FRONT PANEL STEAMAIR
RB-3044	CALANDRE 1GR	1 UNIT FRONT PANEL
RB-3045	CALANDRE 2GR	2 UNITS FRONT PANEL
RB-4021	BUTEE TIROIR TWIN ESE	STOP DRAWER ESE
RB-7000	TUBE PTFE SORTIE CAFE L:100 MM	PTFE PIPE COFFEE OUTLET
RB-7001	COUVERCLE BOITIER ECRAN	COVER SCREEN BOX
TG-4004	ECROU INSERT	INSERT NUT
TG-7010	OREILLE GAUCHE	LEFT ORNAMENTAL FRONT PANEL
TG-7012	OREILLE DROITE	RIGHT ORNAMENTAL FRONT PANEL

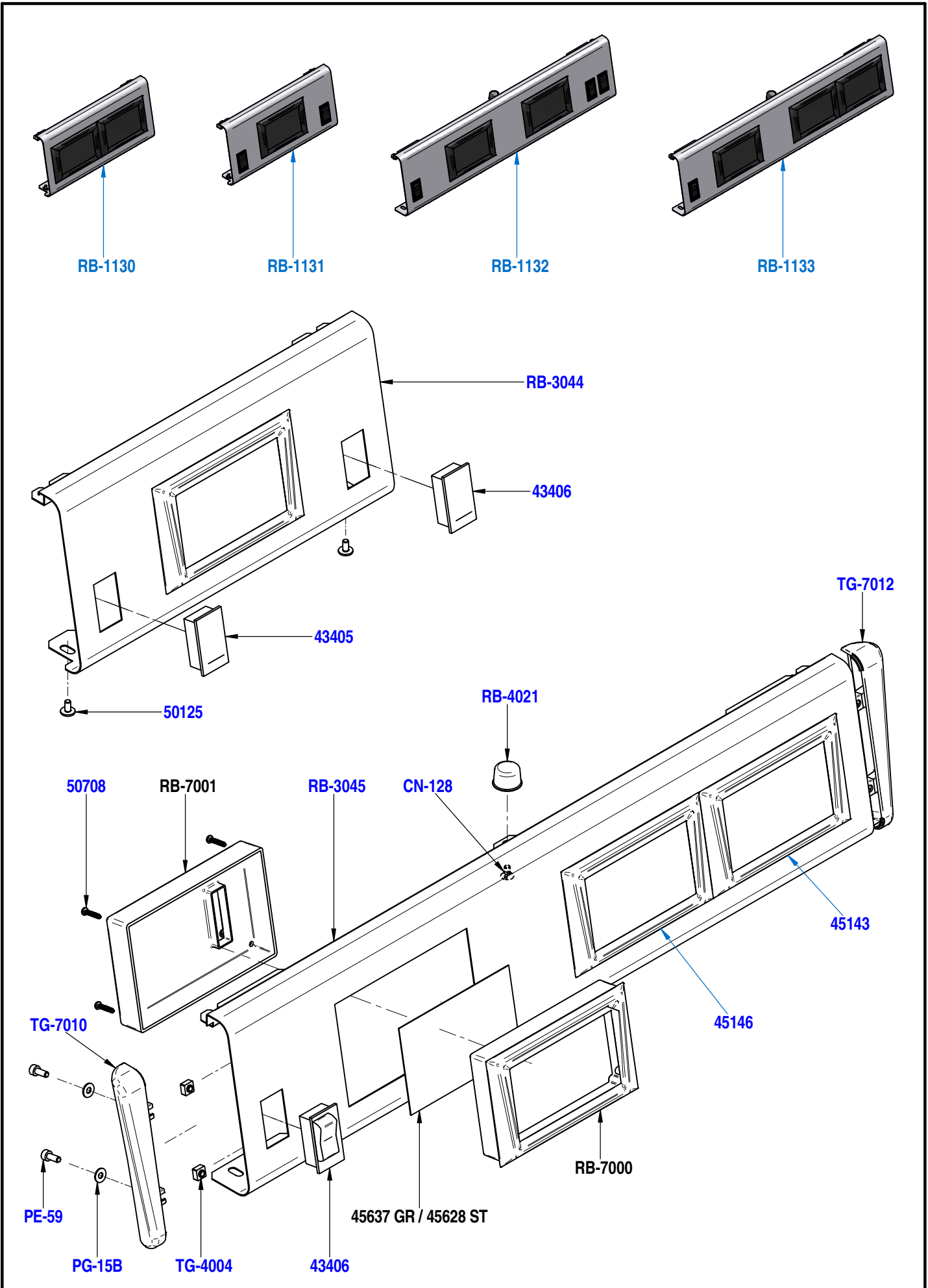


PLANCHE - PLATE 125

REF	DESIGNATIONS FR	DESIGNATIONS GB
25102	CLIP SERRE CABLE AUTO-ADHESIF	SPACER
28830	RESSORT SECURITE	SECURITY SPRING
43520	SWITCH DE SECURITE CAPOT	TRAPDOOR SECURITY SWITCH
45312	CELLULE PHOTO POUR DETECTION CAPSULE	PHOTOELECTRIC CIRCUIT
45601	AUTOCOLLANT SWITCH SECURITE	STICKER
50710	VIS TC CRUCIFORME N°2.9 X 6.4	SCREW N°2.9 X 6.4
50719	VIS PLASTIC TF PZDR 2.5x8	PLASTIC SCREW 2.5x8
50720	VIS PLASTIC TF PZDR 2.5x10	PLASTIC SCREW 2.5x10
50721	VIS PLASTIC TB PZDR 2.5x12	PLASTIC SCREW 2.5x12
53442	BOUCHON DIA 7.2	PLUG DIA 7.2
53825	AIMANT CYLINDRIQUE D6x4	CYLINDRIC MAGNET D6x4
FR4056	VIS SPECIAL COTE	SIDE SCREW
PG-14	ECROU M4	NUT M4
PG-15B	RONDELLE INOX 4.2X10X0.8	WASHER
RB-1110	ENSEMBLE CAPOT SECURITE ESE PONY 2	WHOLE TRAPDOOR SECURITY PONY 2
RB-1111	ENSEMBLE CAPOT SECURITE ESE PONY 4	WHOLE TRAPDOOR SECURITY PONY 4
RB-1201	CAPOT SECURITE COMPLET ESE	WHOLE TRAPDOOR SECURITY
RB-3081	TOLE CACHE GROUPE 1GR	1 UNIT GROUP COVER
RB-3082	TOLE CACHE GROUPE 2GR	2 UNITS GROUP COVER
RB-7002	CAPOT SECURITE	SECURITY HOOD
RB-7003	COUVERCLE SECURITE	SECURITY COVER
RB-7004	CHARNIERE SECURITE	SECURITY HINGE
RB-7005	AXE POUR CHARNIERE	AXLE FOR HINGE
RB-7030	INSERT ESE	INSERT ESE
RB-7031	INSERT COUVERCLE ESE	INSERT COVER ESE
RB-8000	CABLE PLAT CAPOT	FLAT CABLE TRAPDOOR

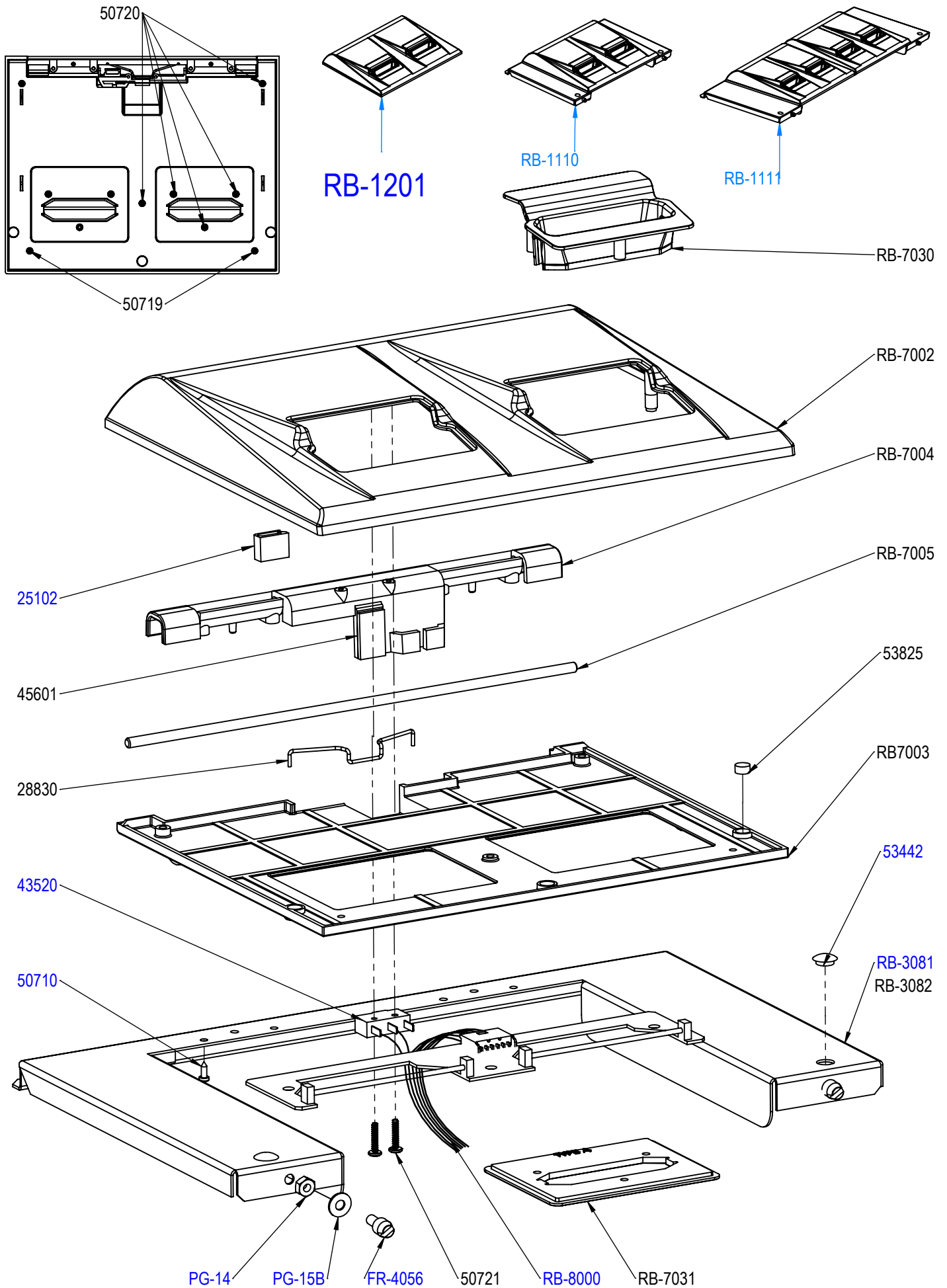
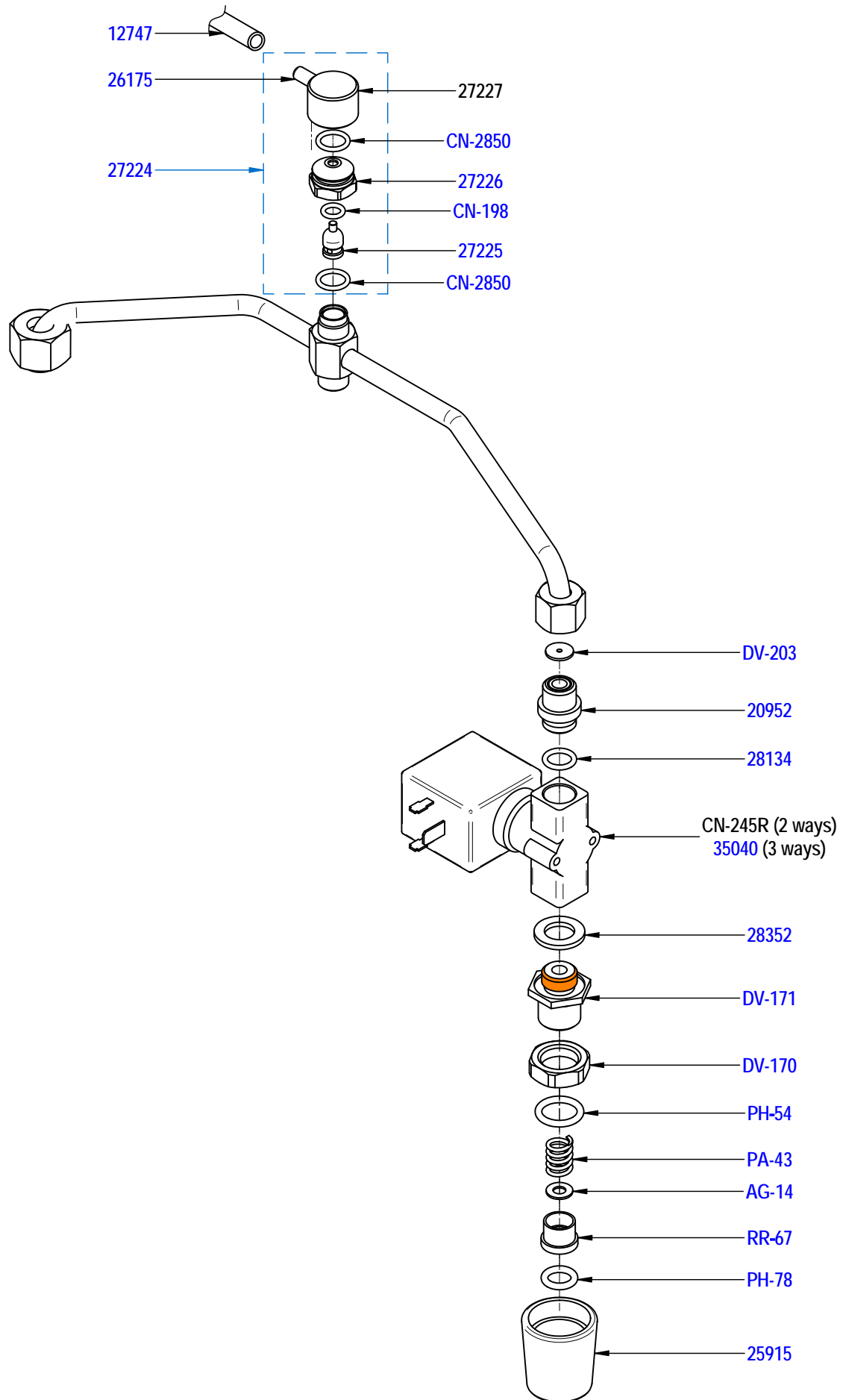


PLANCHE - PLATE 200

REF	DESIGNATIONS FR	DESIGNATIONS GB
12747	TUBE SILICONE SOUPLE 4 - 7	<i>FLEXIBLE SILICONE PIPE 4 - 7</i>
20952	RACCORD 1/4 MALE	<i>FITTING 1/4 M</i>
25915	CACHE SORTIE EAU VAPEUR	<i>COVER OUTLET STEAM WATER</i>
26175	EMBOUT M6	<i>M6 NOZZLE</i>
27224	KIT VALVE DE PURGE	<i>VACCUM VALVE KIT</i>
27225	TIGE VALVE SPHERIQUE	<i>SPHERICAL ROD</i>
27226	ECROU VALVE DE PURGE	<i>VACCUM VALVE NUT</i>
27227	CABOCHON VALVE DE PURGE	<i>STOPPER PURGE VALVE</i>
28134	JOINT TORIQUE 2X9,5 NEXUS	<i>O RING 2X9,5</i>
28352	JOINT PLAT 20X12X2 EPDM 70SH	<i>GASKET 20X12X2</i>
35040	ELECTROVANNE 3V 24V	<i>ELECTROVALVE 3W 24V</i>
AG-14	JOINT CUIVRE M12	<i>COPPER GASKET</i>
CN-198	JOINT TORIQUE 1,78X6,07 FKM	<i>GASKET - 6.07 x 1.78</i>
CN-245R	ELECTROVANNE 2V 24V	<i>ELECTROVALVE 2W 24V</i>
CN-2850	JOINT TORIQUE 1,78X10,82	<i>GASKET 10.82x1.78</i>
DV-170	ECROU CHROME	<i>NUT 3/8</i>
DV-171	RACCORD 3/8-1/4	<i>FITTING 3/8</i>
DV-203	JOINT PLAT CUIVRE 1/4 D:2mm	<i>WASHER 1/4 D:2</i>
PA-43	RESSORT F15/10 L14,5 D10,5 P3	<i>SPRING</i>
PH-54	JOINT TORIQUE 2,62X13,95 EPDM	<i>O RING - 13.95 x 2.62</i>
PH-78	JOINT TORIQUE 2,62X9,13 EPDM	<i>O RING - 9,13 X 2,62</i>
RR-67	EMBOUT LAITON	<i>BRASS END</i>



 Loctite 542

PLANCHE - PLATE 212

REF	DESIGNATIONS FR	DESIGNATIONS GB
25903	SORTIE VAPEUR INOX V+	V+ STAINLESS STEEL STEAM OUTLET
25910	POIGNEE SORTIE EAU CHAUDE ET VAPEUR	HOT WATER AND STEAM OUTLET HANDLE
25911	BAGUE POUR POIGNEE EAU ET VAPEUR	WATER AND STEAM HANDLE COLLAR
25934	BRISE JET VAPEUR M6.75x0.75	BREEZE JET STEAM M6.75x0.75

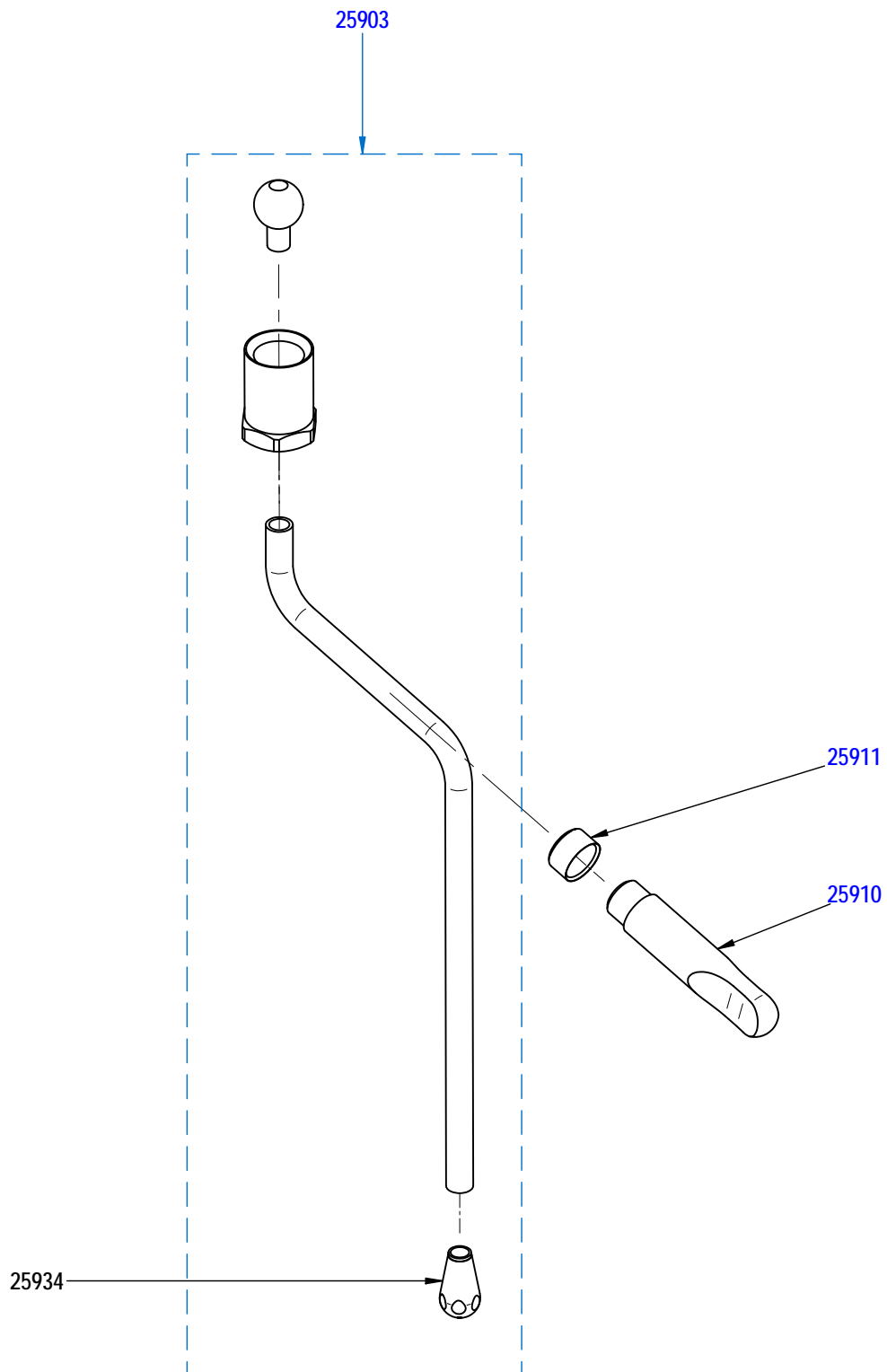


PLANCHE - PLATE 232

REF	DESIGNATIONS FR	DESIGNATIONS GB
23119	GICLEUR DIAM:0,9	GICLUER DIAM. 0.9
25708	RACCORD SORTIE DEBIT REGLABLE	ADJUSTABLE OUTLET FITTING
25710	MOLETTE POUR SORTIE DEBIT REGLABLE	ADJUSTABLE OUTLET TOOTHED WHEEL
25900	BRISE JET BOULE POUR IRISH	ANTI PLASH BALL FOR IRISH
25910	POIGNEE SORTIE EAU CHAUDE ET VAPEUR	HOT WATER AND STEAM OUTLET HANDLE
25911	BAGUE POUR POIGNEE EAU ET VAPEUR	WATER AND STEAM HANDLE COLLAR
25921	RALLONGE SORTIE IRISH	IRISH OUTLET EXTENSION
25922	EMBOUT SORTIE IRISH DEBIT REGLABLE	ADJUSTABLE FLOW IRISH NOZZLE
46028	AUTOCOLLANT SORTIES REGLABLES	ADJUSTABLE OUTLET STICKER
CN-436	JOINT TORIQUE 1,78X8,73 EPDM	GASKET 8,73 X 1,78
FR-1029	SORTIE VAPEUR REGLABLE	ADJUSTABLE STEAM OUTLET
FR-6014	TUBE SORTIE VAPEUR PTFE	PTFE STEAM OUTLET PIPE

FR-1029

FR-6014

25911

25910

46028

25710

25708

CN-436

23119

25922

25921

25900

 Graisse 84236

 Loctite 542

 Loctite 262

 Loctite 222

05/18

SORTIE VAPEUR REGLABLE
ADJUSTABLE STEAM OUTLET



232

PLANCHE - PLATE 242

REF	DESIGNATIONS FR	DESIGNATIONS GB
25904	RALLONGE SORTIE CAPPUCCINO	CAPPUCCINO OUTLET EXTENSION
25906	SUPPORT DE SONDE TANGO	TANGO PROBE SUPPORT
25907	TUBE PTFE STEAMAIR	PTFE STEAMAIR PIPE
25909	EMBOUT PTFE 12 TROUS	12 HOLES END PIPE
25945	TUBE SORTIE VAPEUR 90°	STEAM PIPE 90°
34406	SONDE VAPEUR THERMOSTATEE V+	V+ THERMOSTATED STEAM PROBE
CN-436	JOINT TORIQUE 1,78X8,73 EPDM	GASKET 8,73 X 1,78
PC-38	VIS STHC M5X8 BOUT POINTU	POINT END SCREW
PH-78	JOINT TORIQUE 2,62X9,13 EPDM	O RING - 9,13 X 2,62
RB-1138	SORTIE STEAMAIR	STEAMAIR OUTLET
RO-55	BARILLET	BARREL
RO-57	MELANGEUR EN LAITON	MIXER
RO-58	POUSSOIR A BILLE	THRUST BALL BEARING
RO-68	CACHE BARILLET	BARREL COVER

RB-1138

25945

PC-38

34406

CN-436

RO-58

RO-55

RO-57

RO-68

PH-78

25904

25907

25906

25909

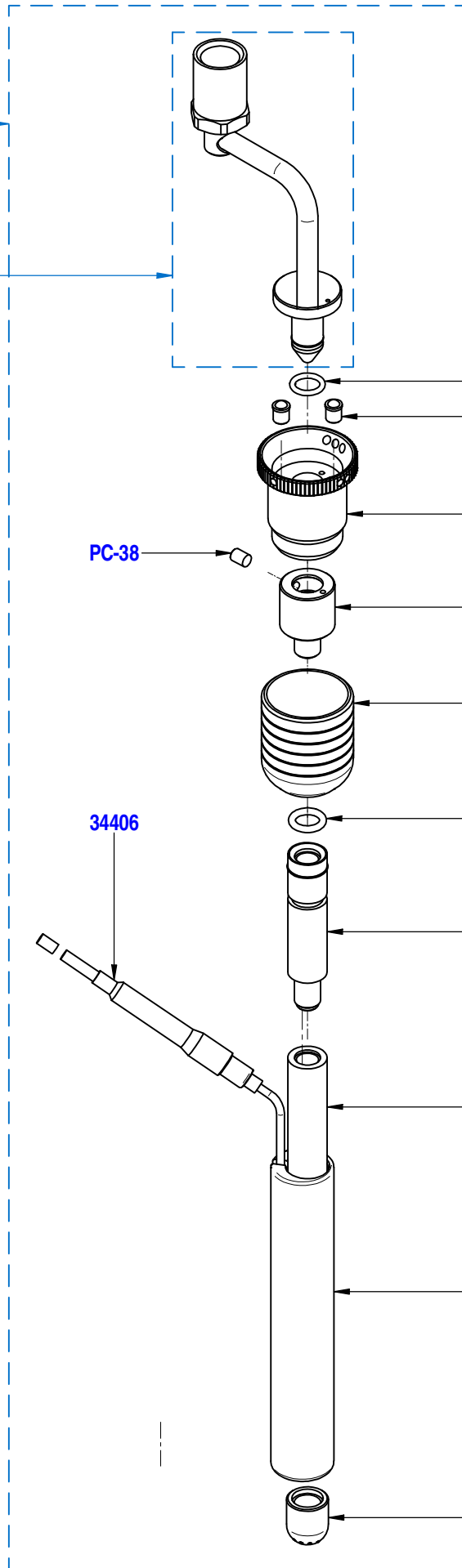


PLANCHE - PLATE 244

REF	DESIGNATIONS FR	DESIGNATIONS GB
12708	TUBE SILICONE CAPPUCINATORE L	CAPPUCINATORE SILICON PIPE
26102	MELANGEUR CAPPUCINATORE	CAPPUCINATORE MIXING TUBE
26134	CAPPUCINO IDEA	CAPPUCINATORE
26147	BUSE VAPEUR	STEAM NOZZLE
26148	BRISE JET	ANTI PLASH PLUG
26149	MOUSSEUR	FROTHER
26151	REDUCTEUR CAPPUCINATORE D1.7	CAPPUCINATORE REDUCER D1.7
26152	REDUCTEUR CAPPUCINATORE D2	CAPPUCINATORE REDUCER D2
27715	JOINT TORIQUE 1,78X8,73 SILICONE	GASKET 8,73 X 1,78
DV-1010	KIT CAPPUCINATORE COMPLET	WHOLE CAPPUCINATORE KIT
DV-6001	TUBE SORTIE VAPEUR	STEAM OUTLET PIPE
PH-78	JOINT TORIQUE 2,62X9,13 EPDM	O RING - 9,13 X 2,62

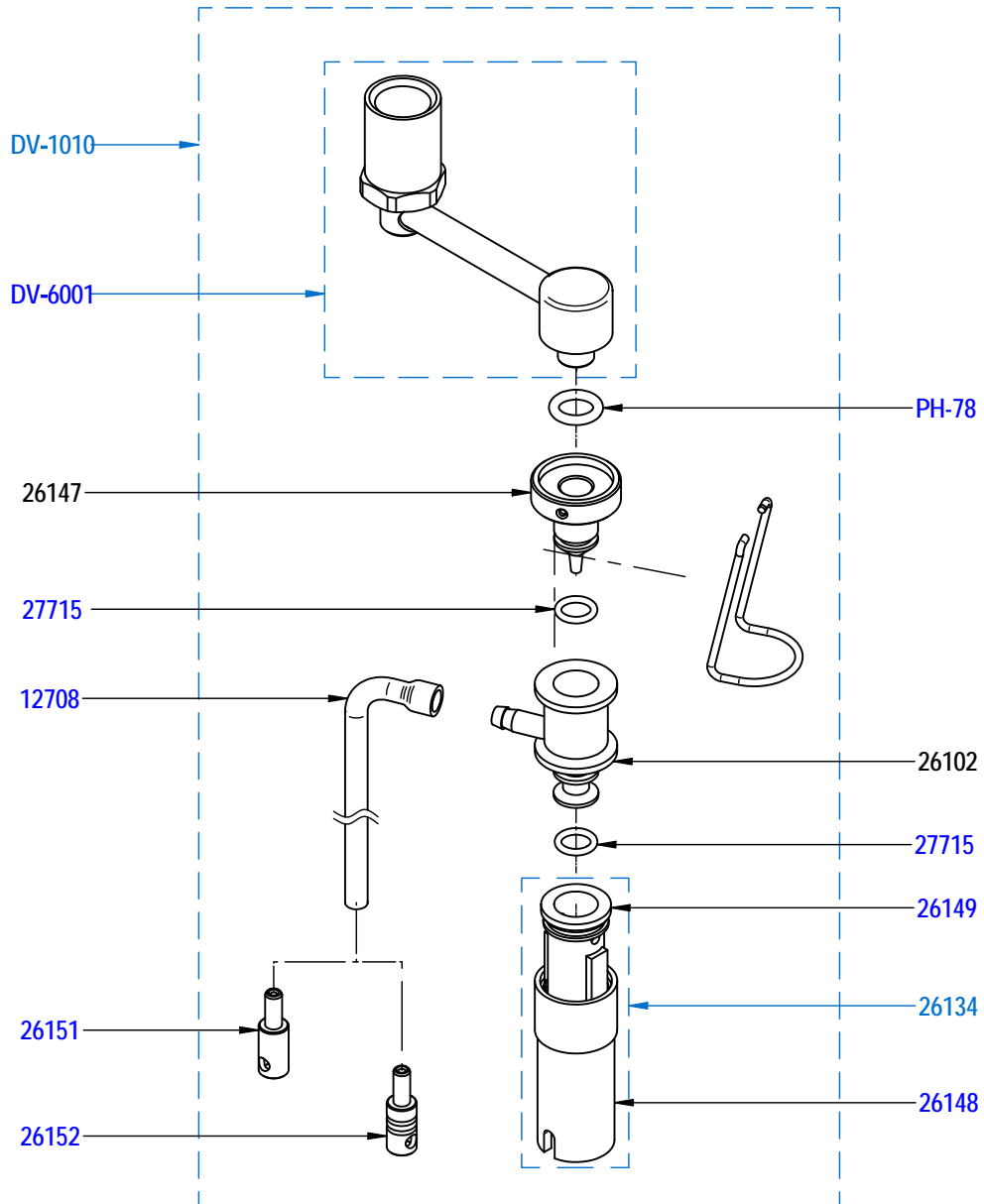
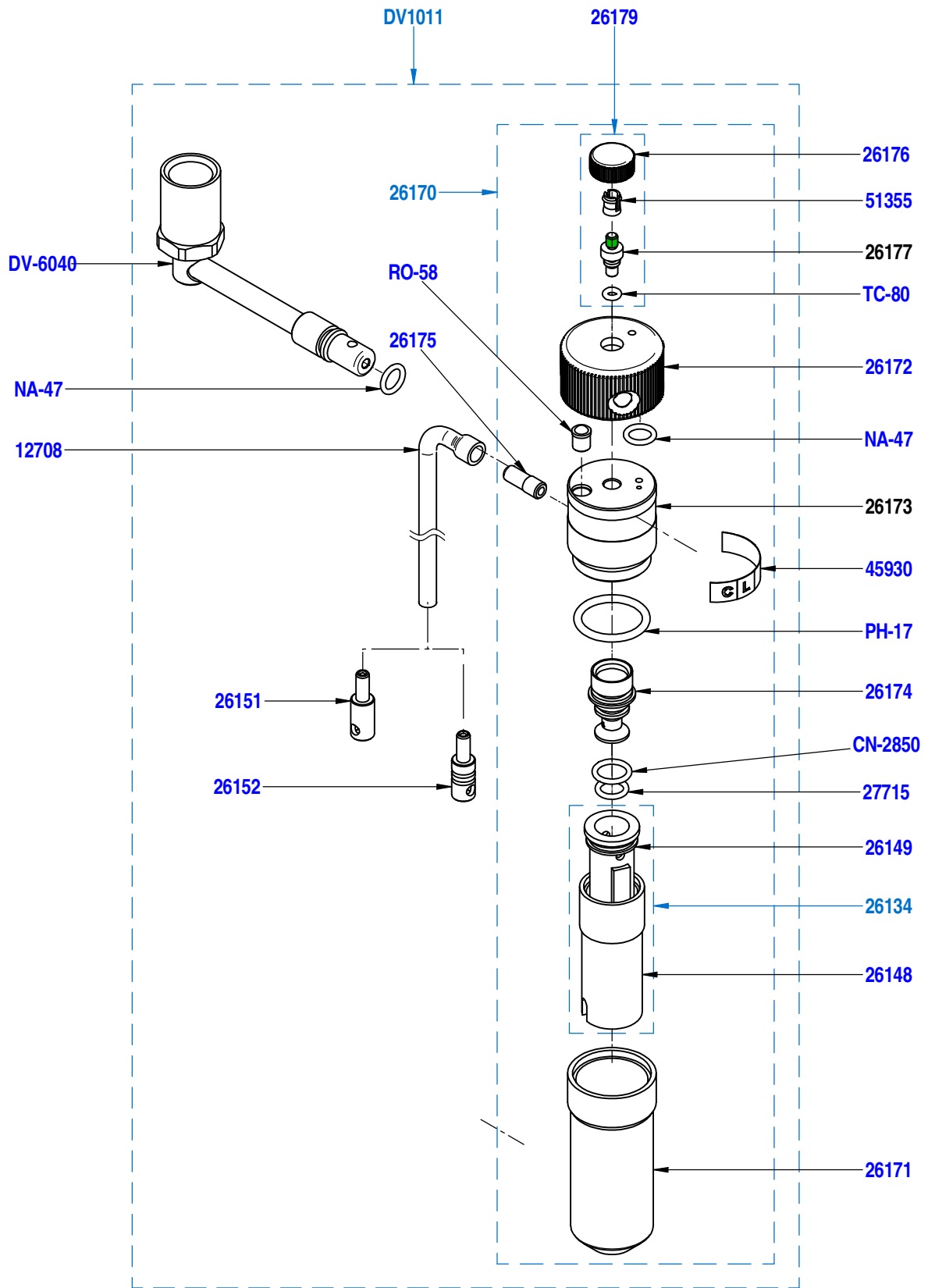


PLANCHE - PLATE 246

REF	DESIGNATIONS FR	DESIGNATIONS GB
12708	TUBE SILICONE CAPPUCCINATORE L	CAPPUCCINATORE SILICON PIPE
26134	CAPPUCCINO IDEA	CAPPUCCINATORE
26148	BRISE JET	ANTI PLASH PLUG
26149	MOUSSEUR	FROTHER
26151	REDUCTEUR CAPPUCCINATORE D1.7	CAPPUCCINATORE REDUCER D1.7
26152	REDUCTEUR CAPPUCCINATORE D2	CAPPUCCINATORE REDUCER D2
26170	SORTIE CAPPUCCINATORE LC	LC CAPPUCCINATORE OUTLET
26171	BEC VERSEUR	SPOUT
26172	MANETTE	LEVER
26173	CORPS	BODY
26174	MELANGEUR	MIXER
26175	EMBOUT M6	M6 NOZZLE
26176	MOLETTE VIS	SCREW PLUG
26177	AXE M4	M4 AXLE
26179	VIS M4 COMPLET	WHOLE M4 SCREW
27715	JOINT TORIQUE 1,78X8,73 SILICONE	GASKET 8,73 X 1,78
45930	ETIQUETTE LC	LC STICKER
51255	VIS TH M6 X 10 INOX	S. STEEL SCREW M6 X 10
CN-2850	JOINT TORIQUE 1,78X10,82	GASKET 10.82x1.78
DV-1011	KIT CAPPUCCINATORE COMPLET	WHOLE CAPPUCCINATORE KIT
DV-6040	TUBE CUIVRE LC	LC COPPER PIPE
NA-47	JOINT TORIQUE 1.78X7.66 EPDM	O RING - 1.78 X 7.66 EPDM
PH-17	JOINT TORIQUE 2,62X20,63 EPDM	GASKET 20,63 X 2,62
RO-58	POUSSOIR A BILLE	THRUST BALL BEARING
TC-80	JOINT TORIQUE 1,78X2,90 FKM	GASKET 1.78X2.90 FKM



Loctite 601

PLANCHE - PLATE 248

REF	DESIGNATIONS FR	DESIGNATIONS GB
RO-62A	SORTIE CAPPUCCINO A BARRILLET	CAPPUCCINO OUTLET
RO-59A	TUBE SORTIE VAPEUR SP	CHROME COPPER TUBE
CN-436	JOINT TORIQUE 1,78X8,73 EPDM	GASKET 8,73 X 1,78
RO-28	EMBOUT POUR TUBE	SPOUT FOR PIPE
RO-55	BARILLET	BARREL
RO-68	CACHE BARILLET	BARREL COVER
RO-57	MELANGEUR EN LAITON	MIXER
RO-54	SORTIE PTFE 17 TROUS	PTFE OUTLET 17 HOLES
PC-38	VIS STHC M5X8 BOUT POINTU	POINT END SCREW

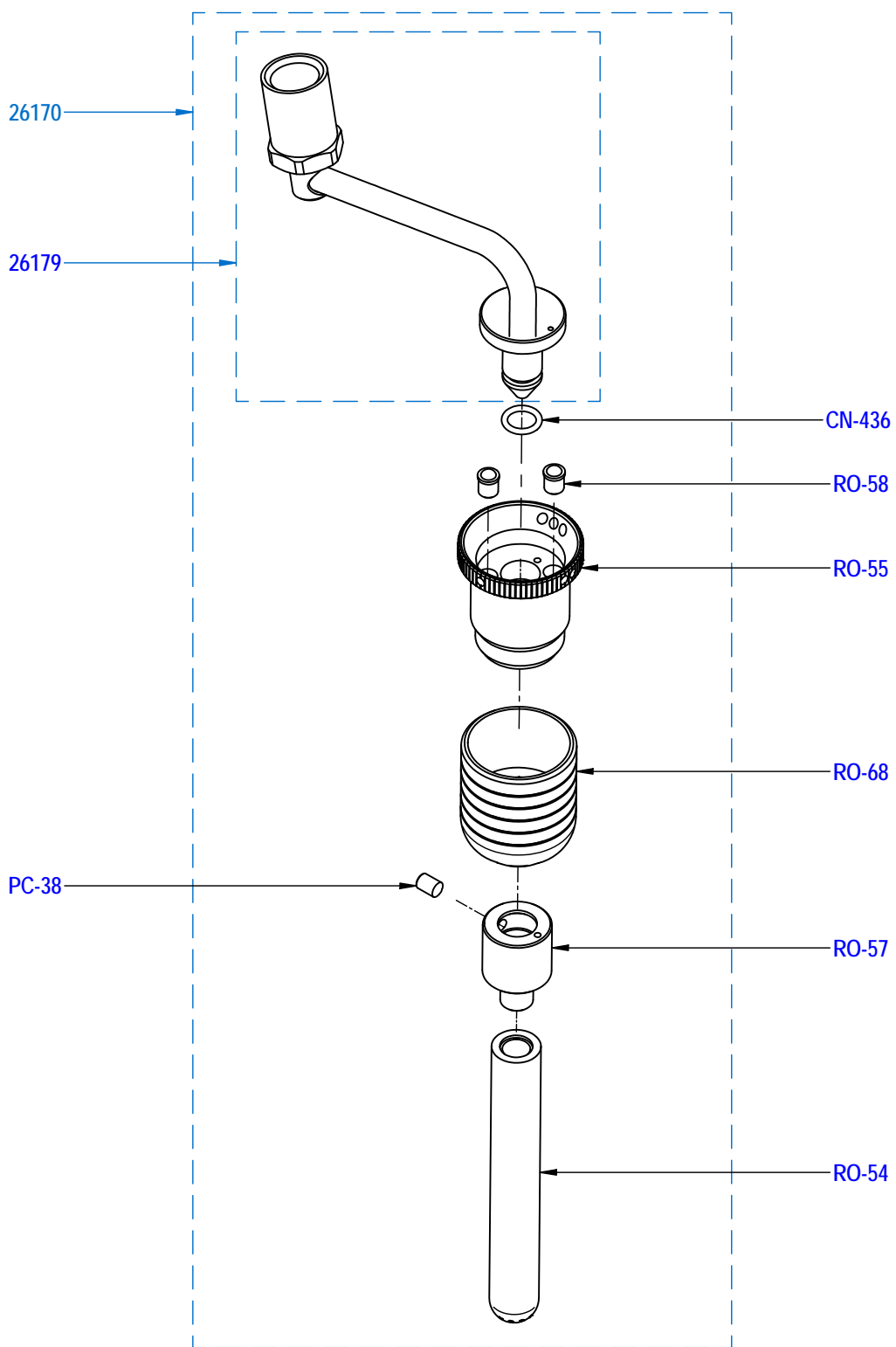
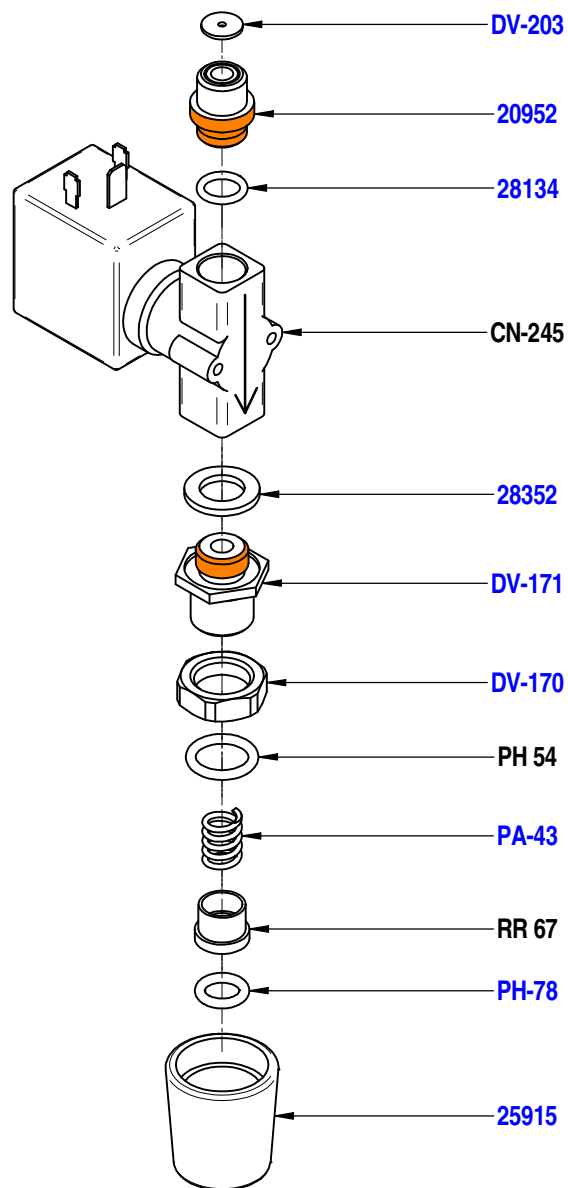


PLANCHE - PLATE 250

REF	DESIGNATIONS FR	DESIGNATIONS GB
20952	RACCORD 1/4 MALE	<i>FITTING 1/4 M</i>
25915	CACHE SORTIE EAU VAPEUR	<i>COVER OUTLET STEAM WATER</i>
28104	JOINT TORIQUE 2X9,5 FKM 80SH	<i>GASKET 2X9,5</i>
28352	JOINT PLAT 20X12X2 EPDM 70SH	<i>GASKET 20X12X2</i>
CN-245	ELECTROVANNE 2V 230V 50Hz	<i>ELECTROVALVE 2W 230V-50Hz</i>
DV-170	ECROU CHROME	<i>NUT 3/8</i>
DV-171	RACCORD 3/8-1/4	<i>FITTING 3/8</i>
DV-203	JOINT PLAT CUIVRE 1/4 D:2mm	<i>WASHER 1/4 D:2</i>
PA-43	RESSORT F15/10 L14,5 D10,5 P3	<i>SPRING</i>
PH-54	JOINT TORIQUE 2,62X13,95 EPDM	<i>O RING - 13.95 x 2.62</i>
PH-78	JOINT TORIQUE 2,62X9,13 EPDM	<i>O RING - 9,13 X 2,62</i>
RR-67	EMBOUT LAITON	<i>BRASS END</i>



 Loctite 542

PLANCHE - PLATE 272

REF	DESIGNATIONS FR	DESIGNATIONS GB
23118	SUPPORT GICLÉUR SORTIE EAU CHAUDE	<i>HOT WATER GICLUER SUPPORT</i>
23119	GICLÉUR DIAM:0,9	<i>GICLUER DIAM. 0.9</i>
25708	RACCORD SORTIE DEBIT REGLABLE	<i>ADJUSTABLE OUTLET FITTING</i>
25710	MOLETTE POUR SORTIE DEBIT REGLABLE	<i>ADJUSTABLE OUTLET TOOTHED WHEEL</i>
25712	EMBOU EAU CHAUDE DEBIT REGLABLE	<i>ADJUSTABLE HOT WATER SPOUT</i>
25910	POIGNEE SORTIE EAU CHAUDE ET VAPEUR	<i>HOT WATER AND STEAM OUTLET HANDLE</i>
25911	BAGUE POUR POIGNEE EAU ET VAPEUR	<i>WATER AND STEAM HANDLE COLLAR</i>
46028	AUTOCOLLANT SORTIES REGLABLES	<i>ADJUSTABLE OUTLET STICKER</i>
CN-436	JOINT TORIQUE 1,78X8,73 EPDM	<i>GASKET 8,73 X 1,78</i>
FR-6014	TUBE SORTIE VAPEUR PTFE	<i>PTFE STEAM OUTLET PIPE</i>
RB-1121	SORTIE EAU CHAUDE REGLAGE HAUTE	<i>ADJUSTABLE HIGH HOT WATER OUTLET</i>

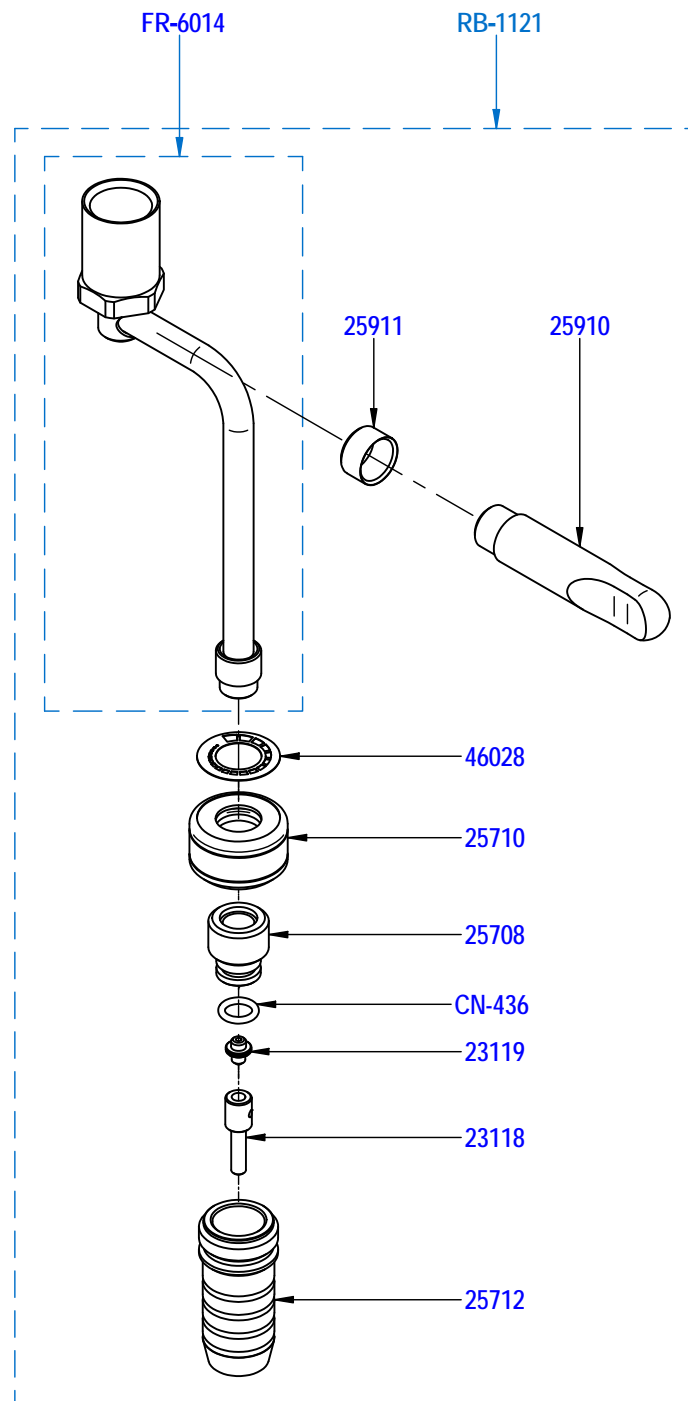


PLANCHE - PLATE 302

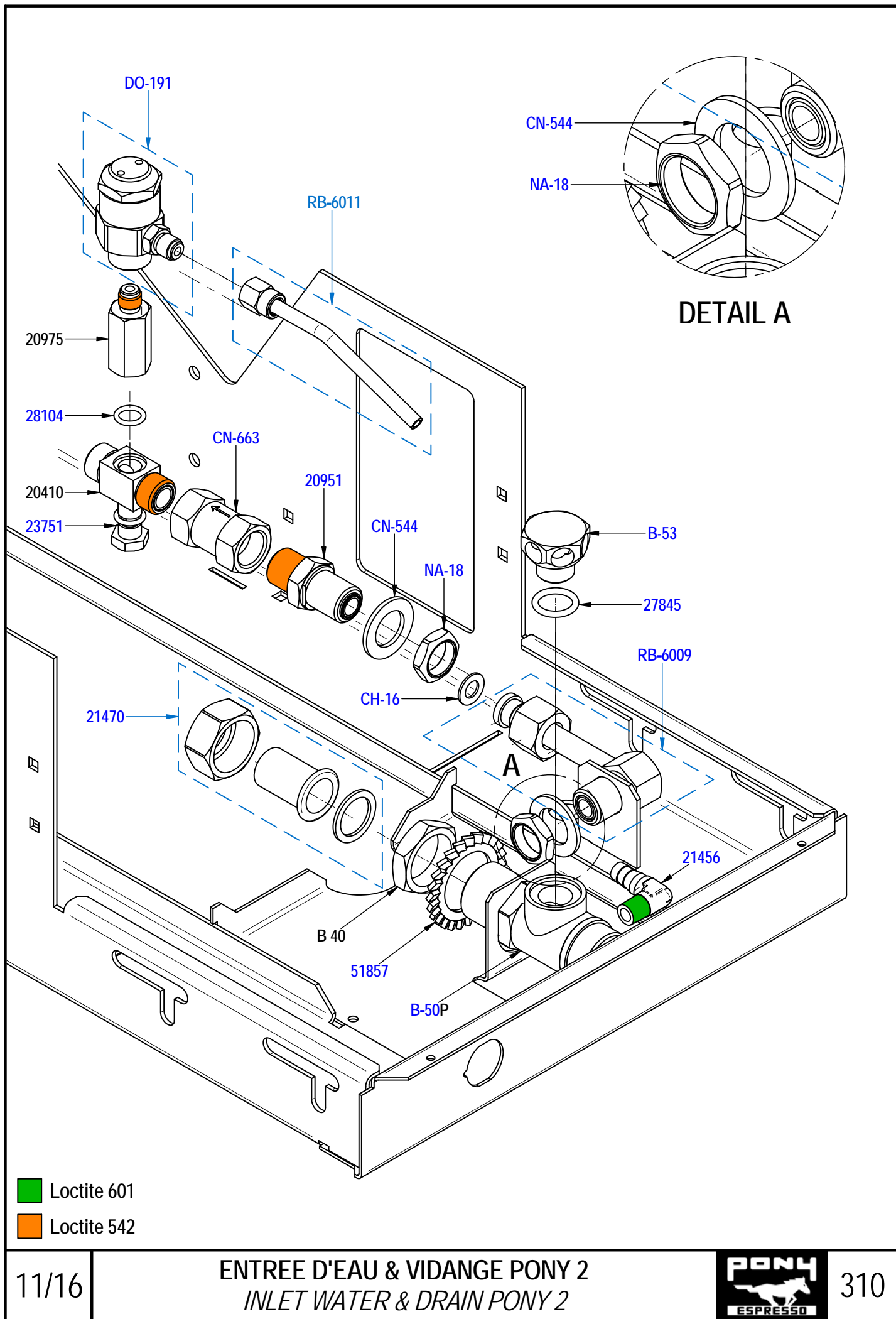
REF	DESIGNATIONS FR	DESIGNATIONS GB
12704	TUBE SILICONE 7X12	SILICONE PIPE 7X12
12734	TUBE PTFE DIA:4	PIPE PTFE DIA:4
12740	TUBE SILICONE 5 X 9	SILICONE PIPE 5 X 9
12747	TUBE SILICONE SOUPLE 4 - 7	FLEXIBLE SILICONE PIPE 4 - 7
25903	SORTIE VAPEUR INOX V+	V+ STAINLESS STEEL STEAM OUTLET
DV6014	TUBE CUIVRE MANOMETRE HP	PIPE HP MANOMETER
DV-6026	TUBE ALIMENTATION EV EAU CHAUDE	PIPE HOT WATER EV FILLING
DV-6081	TUBE DE REMPLISSAGE	PIPE BOILER FILLING
DV-6082	TUBE PRESSOSTAT SEC	PIPE PRESSURESTAT
FR-6014	TUBE SORTIE VAPEUR PTFE	PTFE STEAM OUTLET PIPE
ID-75	TUBE FLEXIBLE COUDE ARME INOX	FLEXIBLE PIPE
RB-6005	TUBE ALIMENTATION 1ER GROUPE	PIPE UNIT FILLING
RB-6011	TUBE EVACUATION SOUPAPE HP	PIPE DRAIN VALVE HP
RB-6031	TUBE 4/6 PISTON 1GR L375	1 UNIT PIPE 4/6 PISTON L375
RB-6094	TUBE MANOMETRE BP	PIPE LP MANOMETER
RB-6095	TUBE VALVE VAPEUR	PIPE STEAM VALVE
RB-6099	TUBE LIAISON NOURRICE VENTOLINE	1 UNIT PIPE LINK NOURRICE VENTOLINE

PLANCHE - PLATE 304

REF	DESIGNATIONS FR	DESIGNATIONS GB
12704	TUBE SILICONE 7X12	SILICONE PIPE 7X12
12720	TUBE POLYAMIDE DIAMETRE 4 X 6	TUBE RILSAN 4X6
12734	TUBE PTFE DIA:4	PIPE PTFE DIA:4
12740	TUBE SILICONE 5 X 9	SILICONE PIPE 5 X 9
25903	SORTIE VAPEUR INOX V+	V+ STAINLESS STEEL STEAM OUTLET
CN-625	TUBE FLEXIBLE ARME	FLEXIBLE PIPE
DV-6014	TUBE CUIVRE MANOMETRE HP	PIPE HP MANOMETER
DV-6072	TUBE ALIMENTATION EV EAU CHAUDE	PIPE HOT WATER EV FILLING
DV-6073	TUBE VALVE VAPEUR	PIPE STEAM VALVE
DV-6075	TUBE PRESSOSTAT SEC	PIPE PRESSURESTAT
DV-6076	TUBE DE REMPLISSAGE	PIPE BOILER FILLING
DV-6077	TUBE ALIMENTATION DOSEUR	PIPE DOSER FILLING
DV-6078	TUBE ALIMENTATION VAPEUR DROITE	PIPE RIGHT STEAM FILLING
FR1-038	SORTIE STEAMAIR V+	V+ STEAMAIR OUTLET
FR-6014	TUBE SORTIE VAPEUR PTFE	PTFE STEAM OUTLET PIPE
ID-75	TUBE FLEXIBLE COUDE ARME INOX	FLEXIBLE PIPE
RB-6006	TUBE ENTREE D'EAU 2GR groupe 1	2 UNITS WATER INLET PIPE group 1
RB-6007	TUBE ENTREE D'EAU 2GR groupe 2	2 UNITS WATER INLET PIPE group 2
RB-6034	TUBES DECOMPRESSION 2GR	2 UNITS DECOMPRESSION PIPE
RB-6091	TUBE LIAISON NOURRICE VENTOLINE 2GR	2 UNITS PIPE LINK NOURRICE VENTOLINE
RB-6094	TUBE MANOMETRE BP	PIPE LP MANOMETER

PLANCHE - PLATE 310

REF	DESIGNATIONS FR	DESIGNATIONS GB
20410	RACCORD NOURRICE SIMPLE 3/8M-3/8M	<i>FITTING 3/8M-3/8 M</i>
20951	RACCORD 3/8M-3/8M	<i>FITTING 3/8M-3/8M</i>
20975	RACCORD 1/8 M 1/8 F	<i>FITTING 1/8M-1/8 F</i>
21456	RACCORD COUDE 1/8M D7	<i>FITTING 1/8M D7</i>
21470	RACCORD DROIT 3/4M TETINE	<i>FITTING 3/4</i>
23751	AXE DE BANJO 1/8	<i>BANJO SCREW</i>
27845	JOINT TORIQUE 2.62 X 17.13	<i>O-RING 2.62 X 17.13</i>
28104	JOINT TORIQUE 2X9,5 FKM 80SH	<i>GASKET 2X9,5</i>
51857	RONDELLE EVENTAILLE M27 ZINGUE	<i>WASHER</i>
B-40A	ECROU 3/4 LAITON	<i>NUT 3/4</i>
B-50P	COLLECTEUR DE VIDANGE	<i>DRAIN COLLECTOR</i>
B-53	ECROU CHROME BLOCAGE BASSINE	<i>OVERFLOW-TRAY LOCK NUT</i>
CH-16	JOINT CUIVRE RECUIT 3/8	<i>WASHER - COPPER - 3/8</i>
CN-544	RONDELLE ACIER ZN 17 x 28 x 2	<i>WASHER</i>
CN-663	CLAPET ANTI RETOUR COMPACT	<i>VALVE - NON-RETURN</i>
DO-191	SOUPAPE H.P. COMPLETE	<i>COMPLET H.P. VALVE</i>
NA-18	ECROU LAITON 3/8 6 mm	<i>3/8 NUT</i>
RB-6009	TUBE ENTREE D'EAU PONY 2	<i>WATER INLET PIPE PONY 2</i>
RB-6011	TUBE EVACUATION SOUPAPE HP	<i>PIPE DRAIN VALVE HP</i>



- Loctite 601
- Loctite 542

PLANCHE - PLATE 311

REF	DESIGNATIONS FR	DESIGNATIONS GB
12704	TUBE SILICONE 7X12	SILICONE PIPE 7X12
20951	RACCORD 3/8M-3/8M	FITTING 3/8M-3/8M
23601	T DIAMETRE 8	T DIAMETER 8
27845	JOINT TORIQUE 2.62 X 17.13	O-RING 2.62 X 17.13
50125	VIS TB CRUCIFORME A EMBASE M4 x 8	CRUCIFORM SCREW M4 x 8
51857	RONDELLE EVENTAILLE M27 ZINGUE	WASHER
B-40A	ECROU 3/4 LAITON	NUT 3/4
B-50P	COLLECTEUR DE VIDANGE	DRAIN COLLECTOR
B-53	ECROU CHROME BLOCAGE BASSINE	OVERFLOW-TRAY LOCK NUT
CN-544	RONDELLE ACIER ZN 17 x 28 x 2	WASHER
CN-625	TUBE FLEXIBLE ARME	FLEXIBLE PIPE
FR-4067	GOULOTTE EVACUATION	DRAIN CHUTE
NA-18	ECROU LAITON 3/8 6 mm	3/8 NUT
RB-2046	SUPPORT GOULOTTE DECOMPRESSION	DRAIN CHUTE HOLDER
RB-4025	BOUCHON GOULOTTE	PLUG CHUTE
RB-4026	RONDELLE BRISE JET GOULOTTE	BREEZE JET WASHER
TC-164	COUDE 3/4 EN LAITON	DRAIN COLLECTOR ELBOW

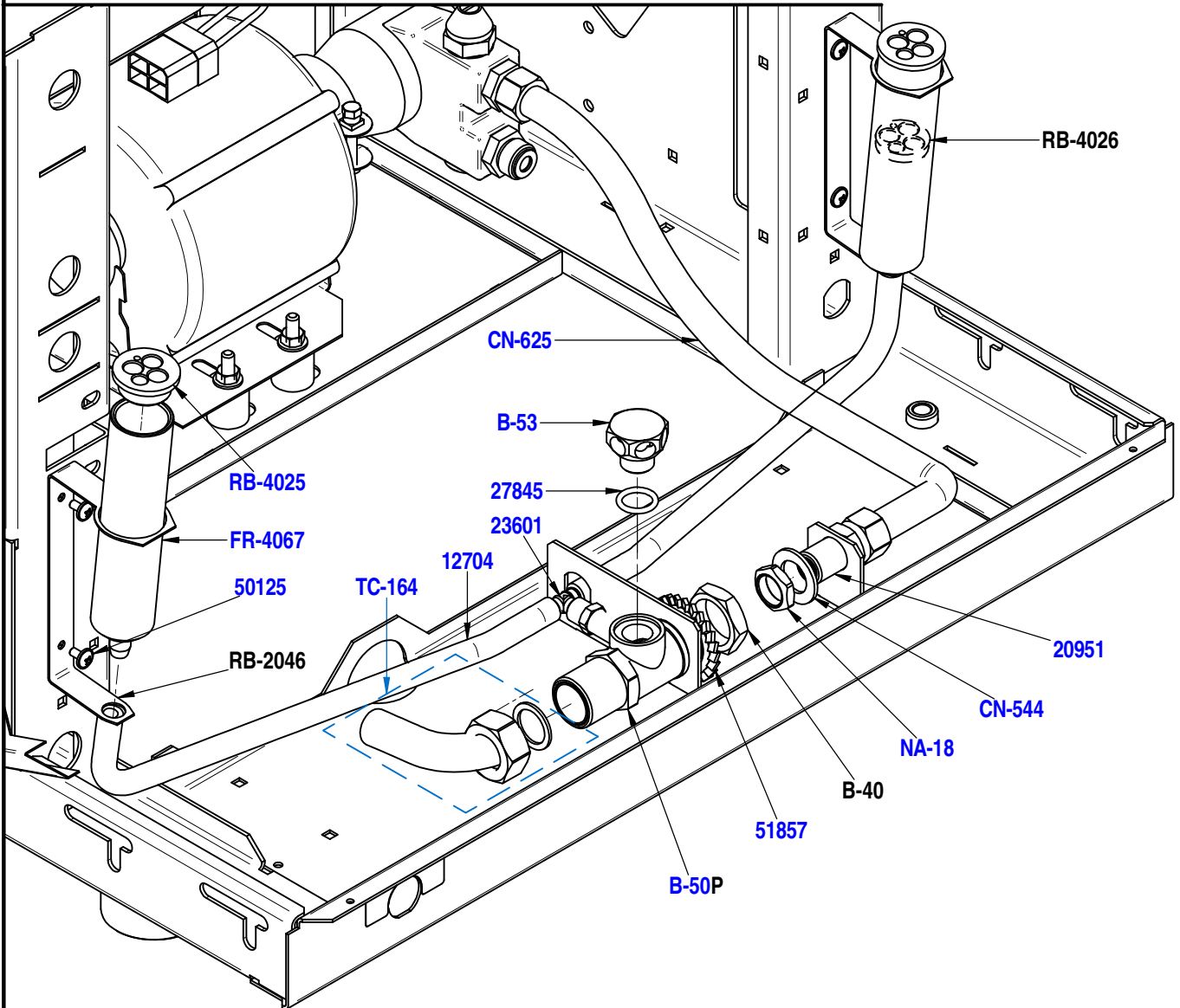


PLANCHE - PLATE 320

REF	DESIGNATIONS FR	DESIGNATIONS GB
28104	JOINT TORIQUE 2X9,5 FKM 80SH	GASKET 2X9,5
37205	BY PASS POUR POMPE FLUIDOTECH	BY PASS FOR FLUIDOTECH PUMP
37206	POMPE ROTATIVE 100L/H SANS PLOMB	UNLEADED PUMP 100L/H
37207	POMPE ROTATIVE 200L/H SANS PLOMB	UNLEADED PUMP 200L/H
37210	JOINT D'ACCOUPLLEMENT	SLEEVE COUPLING
37211	AMORTISSEUR ACCOUPLEMENT	RUBBER COUPLING
37215	JOINT D'ACCOUPLLEMENT	SLEEVE COUPLING
37216	KIT ACCOUPLEMENT POMPE	COUPLING KIT
37250	MOTEUR 220V 50 HZ 120W	MOTOR 220V 50 HZ 120W
37255	MOTEUR 110V 60HZ 120W	MOTOR 110V 60HZ
51255	VIS TH M6 X 10 INOX	S. STEEL SCREW M6 X 10
AE-13A	ECROU INOX Hu 6-100	NUT M6
CF-417	RONDELLE EVENTAIL DE 6	WASHER
CH-16	JOINT CUIVRE RECUIT 3/8	WASHER - COPPER - 3/8
CN-347A	RACCORD D'ALIM. 3/8 - 3/8 MM	FITTING - 3/8 X 3/8 -
DO-19	PLOT APB 20-20	SILENTBLOC
PH-32	RONDELLE ACIER Zn 6,25x14x1,2	WASHER
PI-52	MOTEUR CANNELE 220V-50Hz	MOTOR 220V-50Hz
PI-52A	MOTEUR CANNELE 220V-60Hz	MOTOR 220V-60Hz

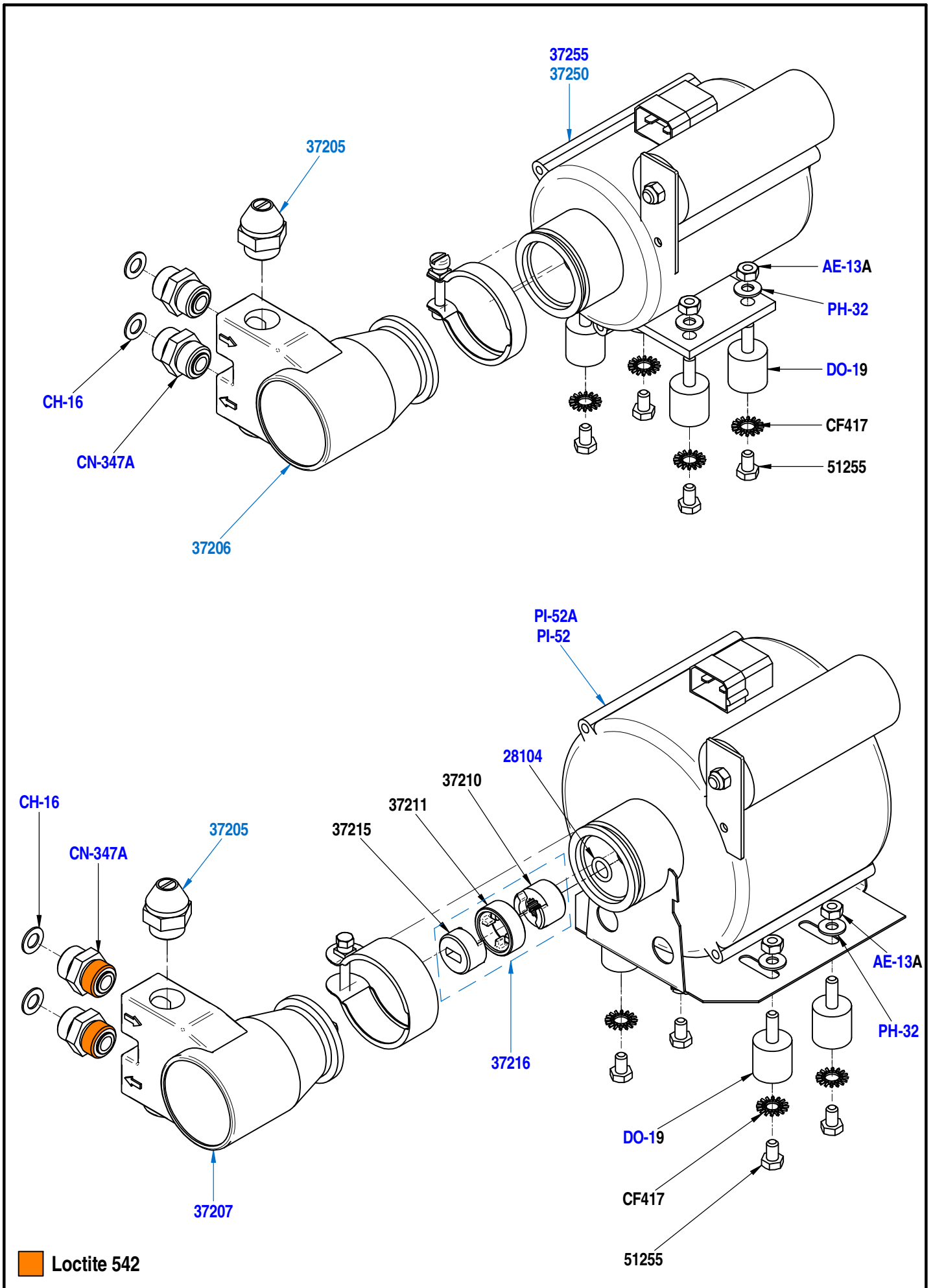
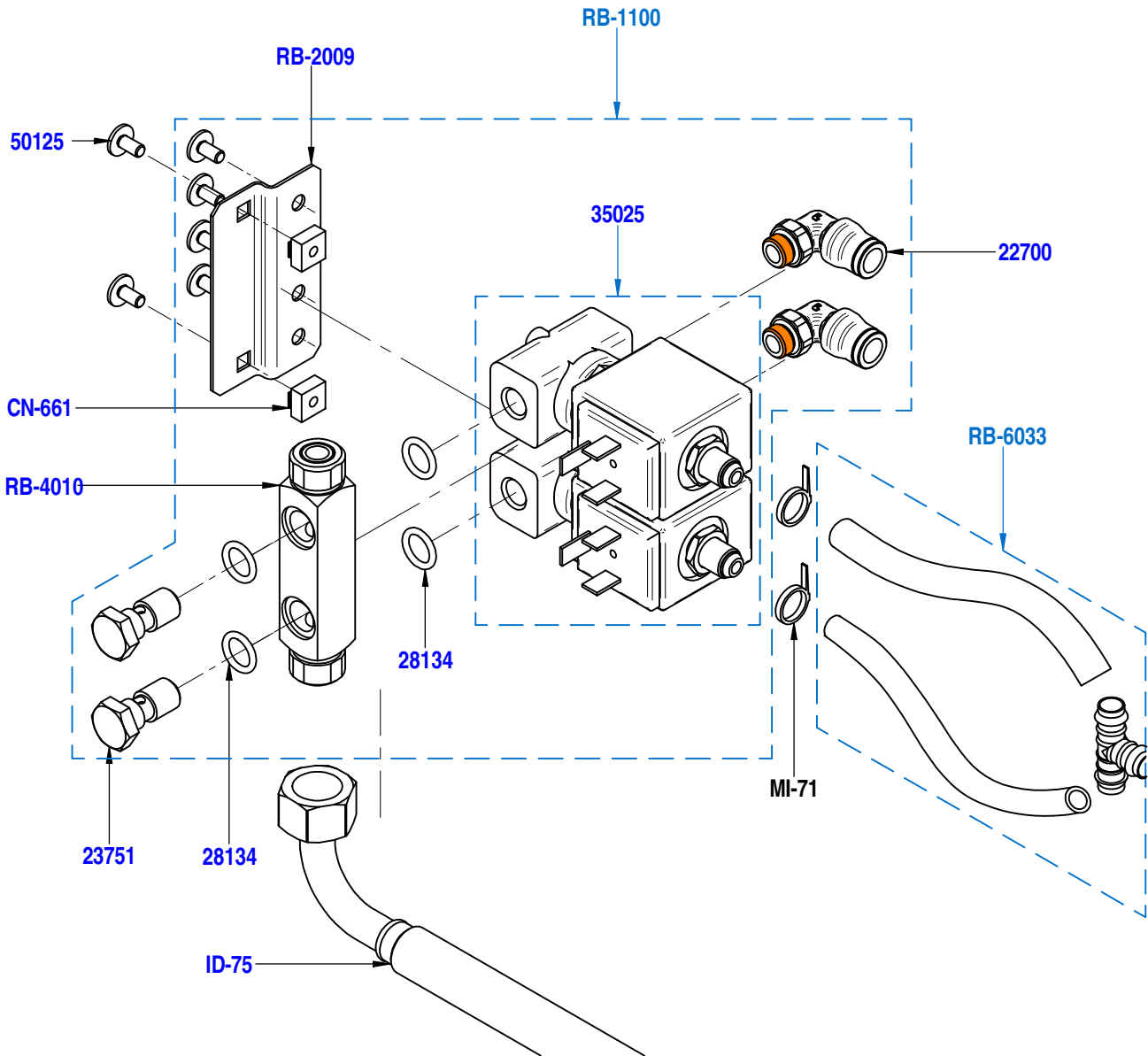


PLANCHE - PLATE 325

REF	DESIGNATIONS FR	DESIGNATIONS GB
22700	RACCORD COUDE 1/8M	<i>CROOKED FITTING 1/8M</i>
23751	AXE DE BANJO 1/8	<i>BANJO SCREW</i>
28104	JOINT TORIQUE 2X9,5 FKM 80SH	<i>GASKET 2X9,5</i>
35025	EV 3 VOIES 24V D1.2	<i>EV 3 WAYS 24V D1.2</i>
50125	VIS TB CRUCIFORME A EMBASE M4 x 8	<i>CRUCIFORM SCREW M4 x 8</i>
CN-661	ECROU CAGE M4, EP 1/1.6	<i>INSERT NUT M4</i>
ID-75	TUBE FLEXIBLE COUDE ARME INOX	<i>FLEXIBLE PIPE</i>
MI-71	COLLIER INCOLORE 150 X 3,5mm	<i>COLOURLESS COLLAR 150 x 3,5mm</i>
RB-1100	ENSEMBLE EV PISTON PONY 2	<i>EV PISTON PONY 2 SET</i>
RB-2009	SUPPORT EV	<i>EV HOLDER</i>
RB-4010	NOURRICE 3/8M 3/8M BANJO 1/4	<i>FITTING 3/8M 3/8M BANJO 1/4</i>
RB-6033	TUBES DECOMPRESSION 1GR	<i>1 UNIT DECOMPRESSION PIPE</i>



 Loctite 542

ATTENTION: Découpe des tubes sans marque ni bavure.
WARNING: Cut tube ends clean and square.

02/19

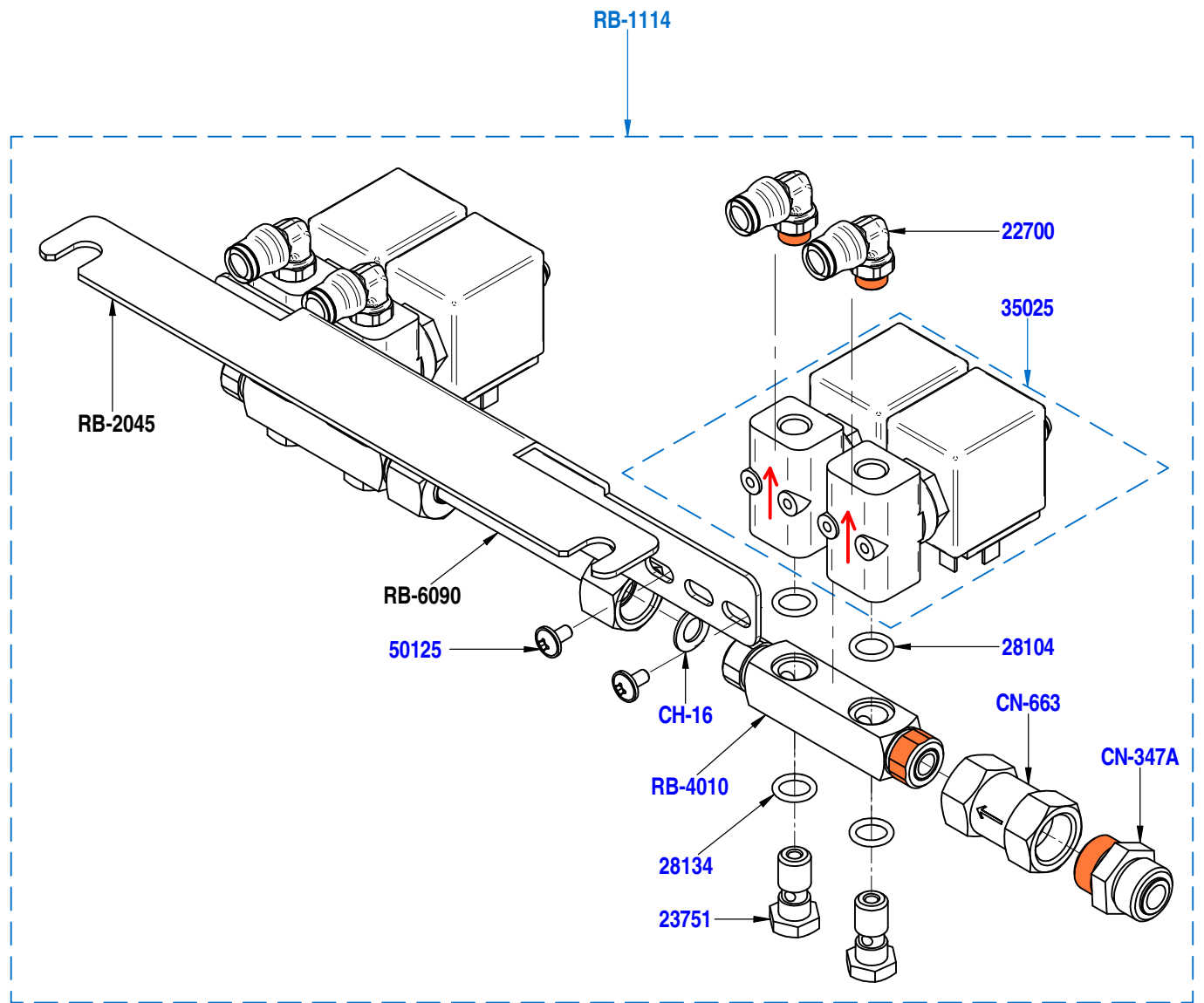
ENSEMBLE ELECTROVANNE PISTON PONY 2
PISTON ELECTROVALVE SET



325

PLANCHE - PLATE 326

REF	DESIGNATIONS FR	DESIGNATIONS GB
22700	RACCORD COUDE 1/8M	<i>CROOKED FITTING 1/8M</i>
23751	AXE DE BANJO 1/8	<i>BANJO SCREW</i>
28104	JOINT TORIQUE 2X9,5 FKM 80SH	<i>GASKET 2X9,5</i>
35025	EV 3 VOIES 24V D1.2	<i>EV 3 WAYS 24V D1.2</i>
50125	VIS TB CRUCIFORME A EMBASE M4 x 8	<i>CRUCIFORM SCREW M4 x 8</i>
CH-16	JOINT CUIVRE RECUIT 3/8	<i>WASHER - COPPER - 3/8</i>
CN-347A	RACCORD D'ALIM. 3/8 - 3/8 MM	<i>FITTING - 3/8 X 3/8 -</i>
CN-663	CLAPET ANTI RETOUR COMPACT	<i>VALVE - NON-RETURN</i>
RB-1114	ENSEMBLE EV PISTON PONY 4	<i>EV PISTON PONY 4 SET</i>
RB-2045	SUPPORT SECURITE THERMIQUE	<i>THERMAL SECURITY HOLDER</i>
RB-6090	TUBE LIAISON NOURRICE 2GR	<i>2 UNITS PIPE LINK NOURRICE</i>

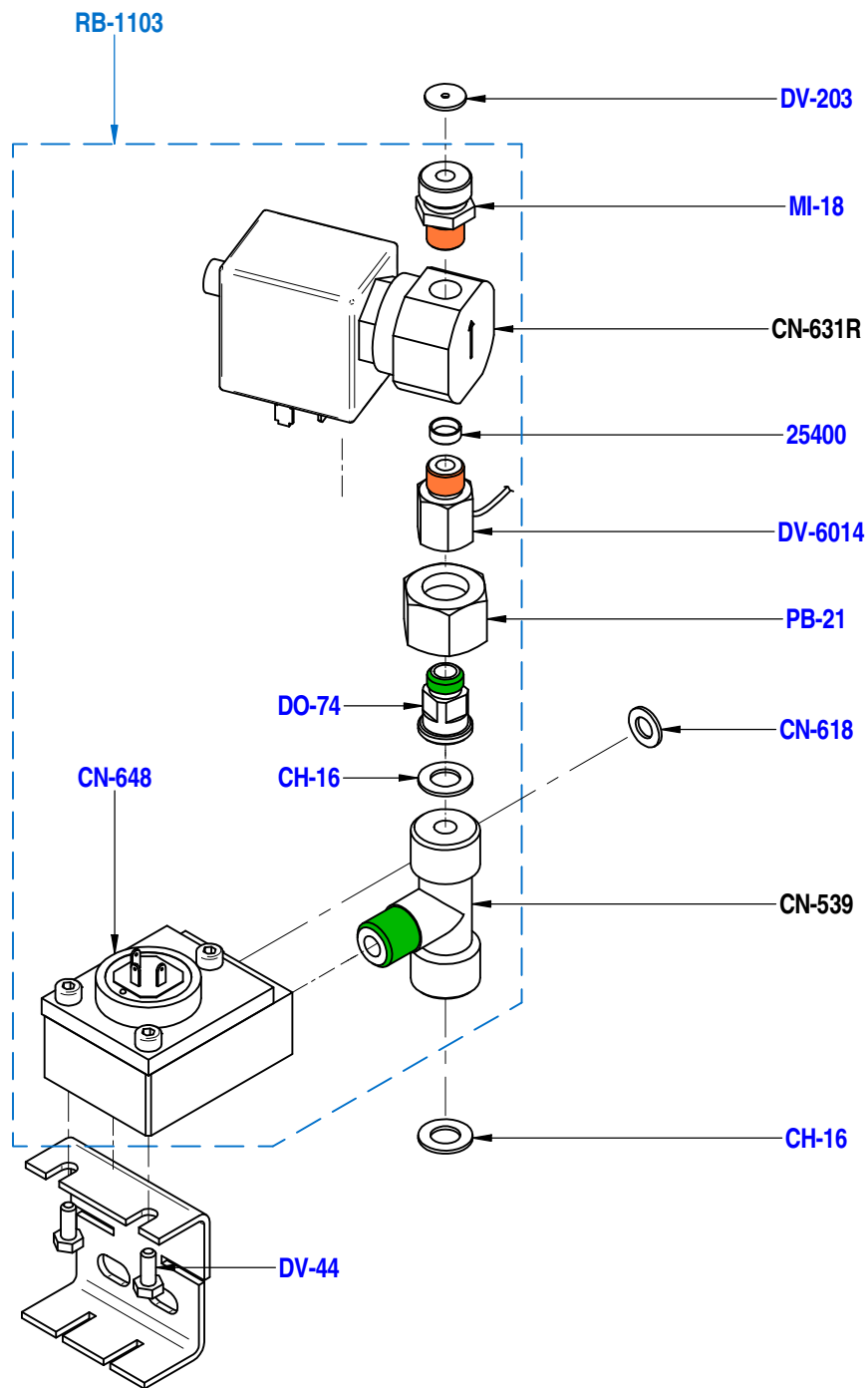


 Loctite 542

ATTENTION: Découpe des tubes sans marque ni bavure.
WARNING: Cut tube ends clean and square.

PLANCHE - PLATE 330

REF	DESIGNATIONS FR	DESIGNATIONS GB
25400	FILTRE INOX	<i>FILTER</i>
CH-16	JOINT CUIVRE RECUIT 3/8	<i>WASHER - COPPER - 3/8</i>
CN-539	TE 3/8 3/8 1/4	<i>TEE 3/8 3/8 1/4</i>
CN-618	JOINT CUIVRE 1/4	<i>GASKET - 1/4</i>
CN-631R	EV 2V REGL. 24V-50/60Hz	<i>ELECTROVALVE 2W ADJ. 24V-50/60Hz</i>
CN-648	COMPTEUR VOLUMETRIQUE	<i>WHOLE W.DOSING DEVICE</i>
DO-74	RACCORD SOUPAPE HP	<i>H.P VALVE CONNECTION</i>
DV-203	JOINT PLAT CUIVRE 1/4 D:2mm	<i>WASHER 1/4 D:2</i>
DV-44	VIS TH M4X10 ACIER	<i>SCREW M4x10</i>
DV-6014	TUBE CUIVRE MANOMETRE HP	<i>PIPE HP MANOMETER</i>
MI-18	RACCORD MM 1/4 - 1/8 G	<i>FITTING - 1/8 x 1/4</i>
PB-21	ECROU 3/8 LAITON	<i>FITTING 3/8</i>
RB-1103	ENSEMBLE DOSEUR EV REMPLISSAGE 24V	<i>FILLING DOSER EV SET</i>

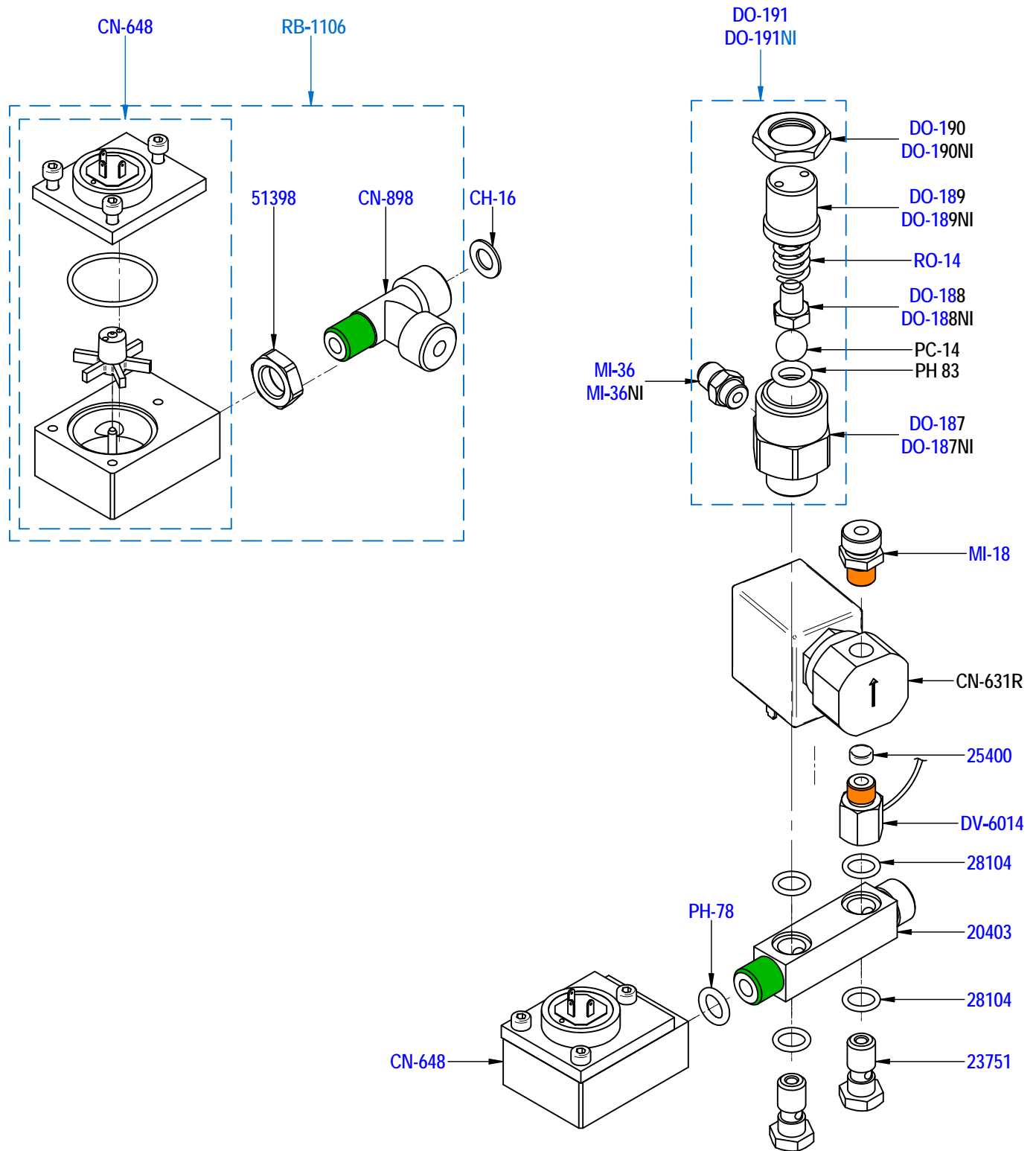


 Loctite 601

 Loctite 542

PLANCHE - PLATE 331

REF	DESIGNATIONS FR	DESIGNATIONS GB
20403	RACCORD NOURRICE 3/8M-1/4M	FITTING 3/8M-1/4M
23751	AXE DE BANJO 1/8	BANJO SCREW
25400	FILTRE INOX	FILTER
28104	JOINT TORIQUE 2X9,5 FKM 80SH	GASKET 2X9,5
51398	CONTRE ECROU M14 X 125	LOCKNUT M14 X 125
CH-16	JOINT CUIVRE RECUIT 3/8	WASHER - COPPER - 3/8
CN-631R	ELECTROVANNE 2V REG 24V50-60HZ	ELECTROVALVE 2W ADJ. 24V50-60HZ
CN-648	COMPTEUR VOLUMETRIQUE	WHOLE W.DOSING DEVICE
CN-898	RACCORD TE 3/8-3/8-1/4	TEE 3/8-3/8-1/4
DO-187	CORPS DE SOUPAPE	VALVE BODY
DO-187NI	CORPS DE SOUPAPE NICKELE	VALVE BODY NICKEL-PLATED
DO-188	TIGE DE SOUPAPE	VALVE PISTON
DO-188NI	TIGE DE SOUPAPE NICKELE	PISTON VALVE NICKEL-PLATED
DO-189	ECROU DE SOUPAPE	VALVE NUT
DO-189NI	ECROU DE SOUPAPE NICKELE	VALVE NUT NICKEL-PLATED
DO-190	CONTRE ECROU M18 X 100	NUT M18 X 100
DO-190NI	CONTRE ECROU M18 X 100 NICKELE	NUT M18 X 100 NICKEL-PLATED
DO-191	SOUPAPE H.P. COMPLETE	COMPLET H.P. VALVE
DO-191NI	SOUPAPE H.P. COMPLETE NSF	COMPLET H.P. VALVE NSF
DV-6014	TUBE CUIVRE MANOMETRE HP	PIPE HP MANOMETER
MI-18	RACCORD MM 1/4 - 1/8 G	FITTING - 1/8 x 1/4
MI-36	RACCORD 1/8M 1/8M	CONNECTION 1/8
MI-36NI	RACCORD 1/8M 1/8M NICKELE	CONNECTION 1/8 NICKEL-PLATED
PH-78	JOINT TORIQUE 2,62X9,13 EPDM	O RING - 9,13 X 2,62
PH-83	JOINT TORIQUE 2,62X9,19 PTFE	O RING 9,19 X 2,62 PTFE
RB-1106	ENSEMBLE DOSEUR TE (PONY 4)	T DOSER (PONY 4)
RO-14	RESSORT F20/10L26.5 D13 P5	SPRING



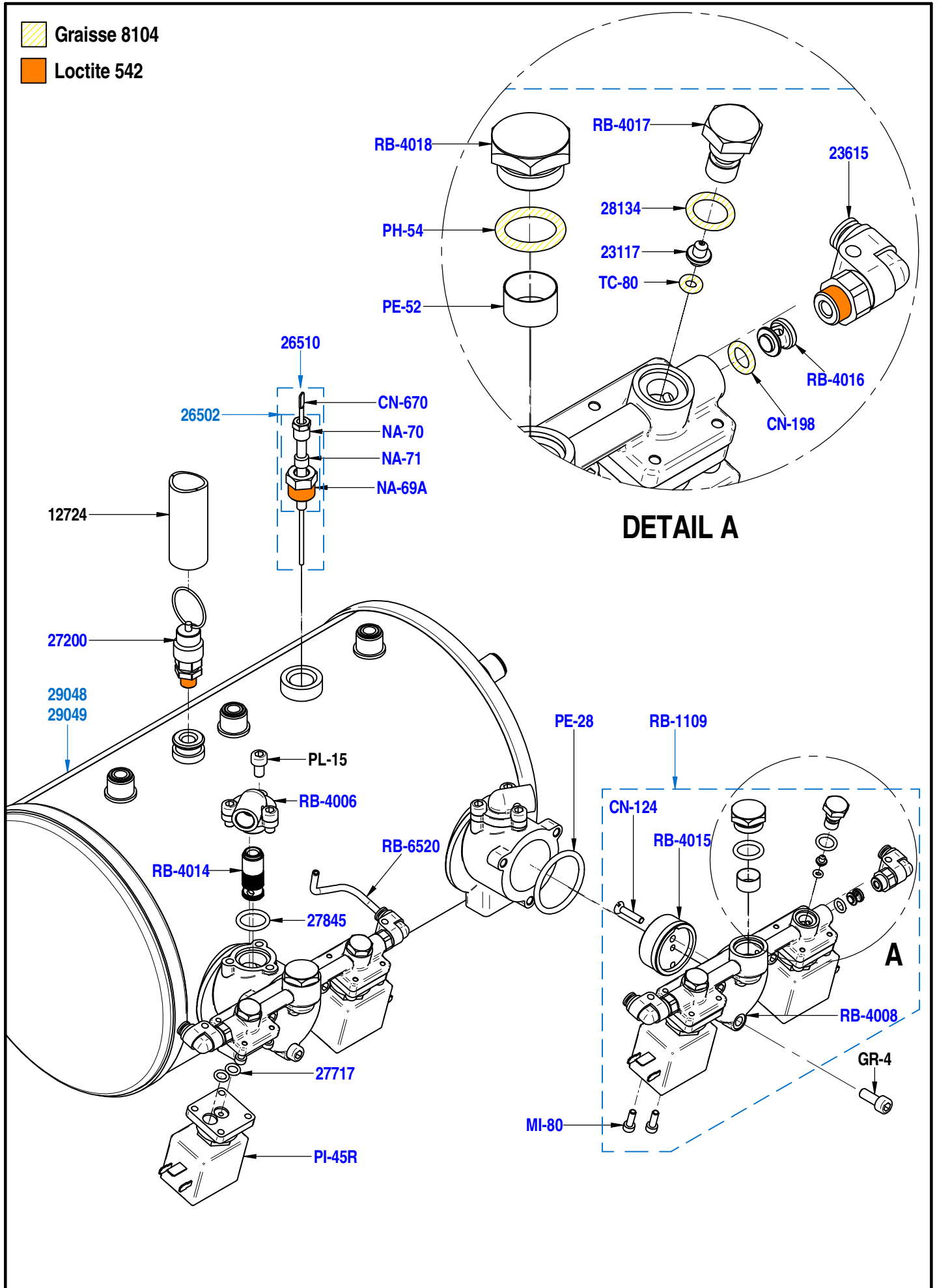
- Loctite 601
- Loctite 542

PLANCHE - PLATE 340

REF	DESIGNATIONS FR	DESIGNATIONS GB
12724	TUBE SILICONE D20	SILICONE PIPE
23117	GICLEUR DIAM:0,7	JET DIAM. 0.7
23615	RACCORD RAPIDE COUDE D:4 F-1/8G	ELBOW QUICK FITTING D:4 F-1/8G
26502	ENSEMBLE NIVEAU SONDE 3/8	LEVEL PROBE 3/8 SET
26510	SONDE DE NIVEAU L=130	LEVEL PROBE
27717	JOINT TORIQUE 1,78 X 6,07	GASKET 1.78 X 6.07
27845	JOINT TORIQUE 2.62 X 17.13	O-RING 2.62 X 17.13
28104	JOINT TORIQUE 2X9,5 FKM 80SH	GASKET 2X9,5
29048	CHAUDIERE INJECTION PONY 2	1 UNIT BOILER
29049	CHAUDIERE INJECTION PONY 4	2 UNITS BOILER
CN-124	VIS INOX TF 4 x 20	SCREW M4 X 20
CN-198	JOINT TORIQUE 1,78X6,07 FKM	GASKET - 6.07 x 1.78
CN-670	SONDE NIVEAU BAS INOX L=130	LEVEL PROBE L=130
GR-4	VIS CHC M6 X 16	SCREW M6 X 16
MI-80	VIS TCHC M4x12 INOX	SCREW M4 X 12
NA-69A	PORTE SONDE EN LAITON	PROBE HOLDER CONNECTION
NA-70	BLOCAGE ELECTRODE NIVEAU AUTO	LEVEL PROBE COMPRESSION NUT
NA-71	PORTE-ELECTRODE EN TEFLON	LEVEL PROBE INSULATION
PE-28	JOINT TORIQUE 3,53X36,09 FKM	GASKET - 36.09 x 3.53
PE-52	FILTRE BOUCHON DE BILLE	BALL PLUG FILTER
PH-54	JOINT TORIQUE 2,62X13,95 EPDM	O RING - 13.95 x 2.62
PI-45R	ELECTROVANNE 3V 24V-50/60Hz	ELECTROVALVE 3W 24V-50/60Hz
PL-15	VIS TCHC M6x10 INOX	SCREW M6 X 10
RB-1109	ENSEMBLE BRIDE EV CAFE VERTICALES ESE	VERTICAL ELECTROVALVE COFFEE & FLANGE
RB-4006	RACCORD CHAUDIERE PONY 2,4	BOILER FITTING
RB-4008	BRIDE PONY 2,4 EV CAFE	FLANGE EV COFFE
RB-4014	TUBE PTFE TORINO ESE	PTFE PIPE
RB-4015	ISOLANT PTFE 15.5 MM ESE	PTFE INSULATOR
RB-4016	BOUCHON CIRCUIT EVKF	CIRCUIT PLUG EVKF
RB-4017	PORTE GICLEUR PONY 2,4	GICLUER HOLDER
RB-4018	BOUCHON FILTRE PONY 2,4	FILTER PLUG
RB-6520	TUBE PTFE EV CAFE L:83 MM	PTFE PIPE COFFEE ELECTROVALVE
TC-80	JOINT TORIQUE 1,78X2,90 FKM	GASKET 1.78X2.90 FKM

 Graisse 8104

 Loctite 542

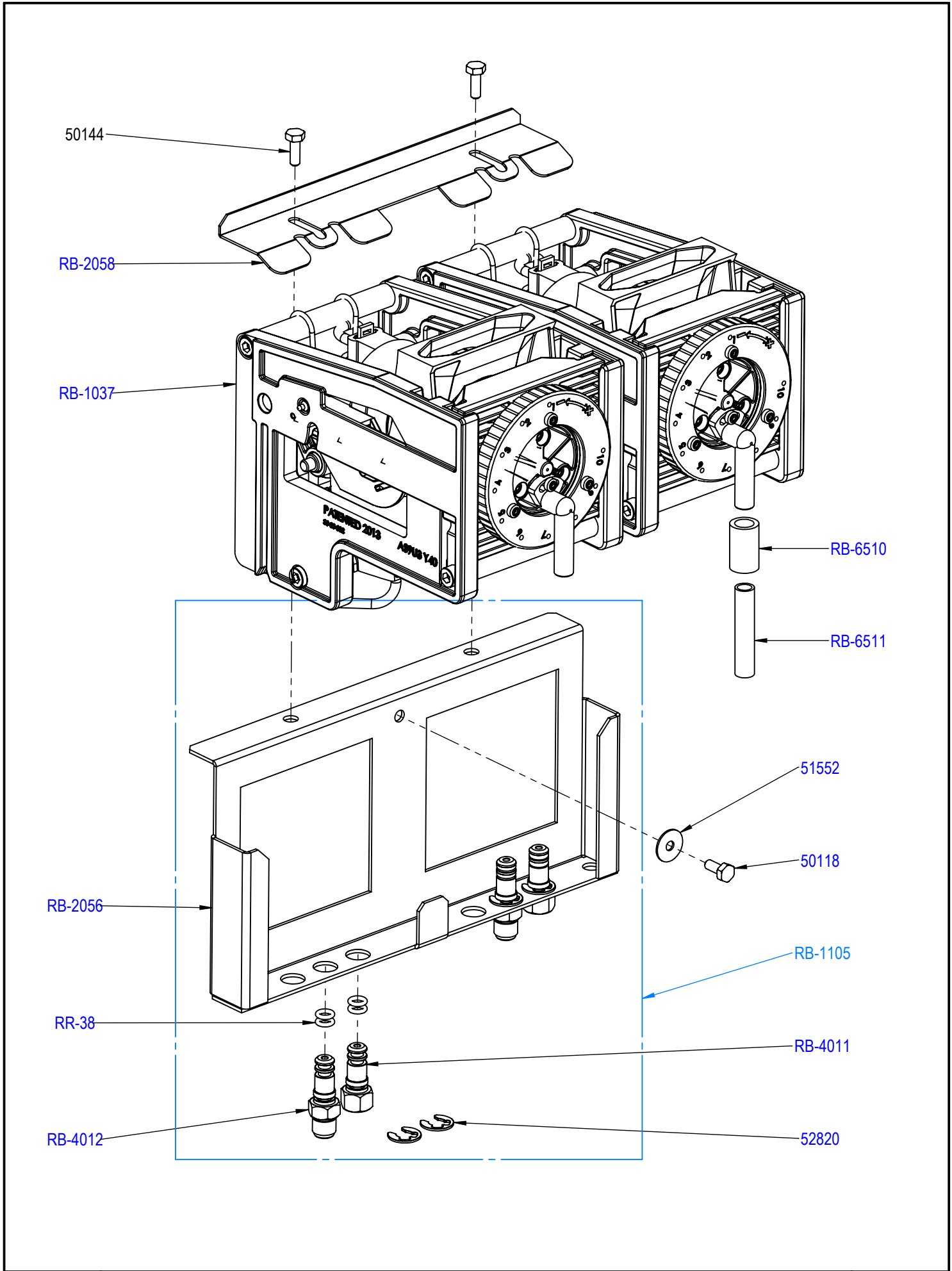


DETAIL A

A

PLANCHE - PLATE 460

REF	DESIGNATIONS FR	DESIGNATIONS GB
50118	VIS TH M4X10 INOX	S.STEEL SCREW M4X10
50144	VIS TH M4 X 12 INOX	S.STEEL SCREW M4X12
51552	RONDELLE INOX 4.25x14x0.8	S..STEEL WASHER 4.25x14x0.8
52820	CIRCLIP TYPE E GORGE D7	SNAP RING TYPE E D7
RB-1037	GROUPE COMPLET	FULL UNIT
RB-1105	ENSEMBLE SUPPORT GROUPE ESE	UNIT HOLDER SET
RB-2056	SUPPORT DOUBLE GROUPES	2 UNITS HOLDER
RB-4011	RACCORD RAPIDE CAFE GROUPE	QUICK CONNECT COFFEE GROUP
RB-4012	RACCORD RAPIDE PISTON GROUPE	QUICK CONNECT PISTON GROUP
RB-6510	MANCHON SILICONE SORTIE CAFE L:20 MM	SILICONE SLEEVE COFFEE OUTLET
RB-6511	TUBE PTFE SORTIE CAFE L:100 MM	PTFE PIPE COFFEE OUTLET
RR-38	JOINT TORIQUE 1,78X4,48 EPDM	GASKET - 4,48 X 1,78



50144

RB-2058

RB-1037

RB-6510

RB-6511

51552

50118

RB-2056

RB-1105

RR-38

RB-4011

RB-4012

52820

GRUPE ESE
 PONY 2,4 ESE UNIT



PLANCHE - PLATE 461

REF	DESIGNATIONS FR	DESIGNATIONS GB
1507710	VIS PLASTIQUE TCB-X 2.5 X 10	SCREW 2.5 X 10
1507711	VIS PLASTIQUE TCB-X 3 X 10	SCREW 3 X 10
1507713	VIS PLASTIQUE TCB-X 3 X 15	SCREW 3 X 15
3001001-KP	TETE D'ENTREE COMPLETE	WHOLE HEAD INLET
3001004-KP	TETE DE SORTIE COMPLETE	WHOLE HEAD OUTLET
3001011	DOIGT EJECTEUR	FINGER EJECTOR
3001014KP	PISTON / CYLINDRE COMPLET	PISTON / CYLINDER FULL
3001016	ETRIER	BRACKET
3001018	SORTIE CAFE	OUTLET COFFEE
3001019	CLIPS	CLIPS
3002016	ENTRETOISE	BRACE
3006002	FILTRE D 0.3	FILTER D 0.3
3006003	LAMINOIR 0.4	ROLLING MILL
3008002	EJECTEUR SILICONE	SILICONE EJECTOR
3008008	JOINT 3.9 X 1.8 SILICONE ROUGE	RED GASKET
3008010	ANNEAU SILICONE R6	SILICONE RING R6
3009001K135	TUYAU CAFE COMPLET	COFFEE PIPE FULL
3009001K210	TUYAU VERIN COMPLET	JACK PIPE FULL
3010002	RESSORT EJECTEUR SORTIE	EJECTOR SPRING
3510001	RESSORT DE RAPPEL GROUPE	RETURN SPRING GROUPE

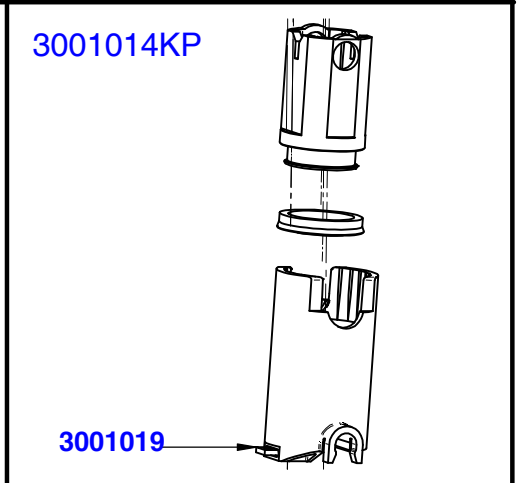
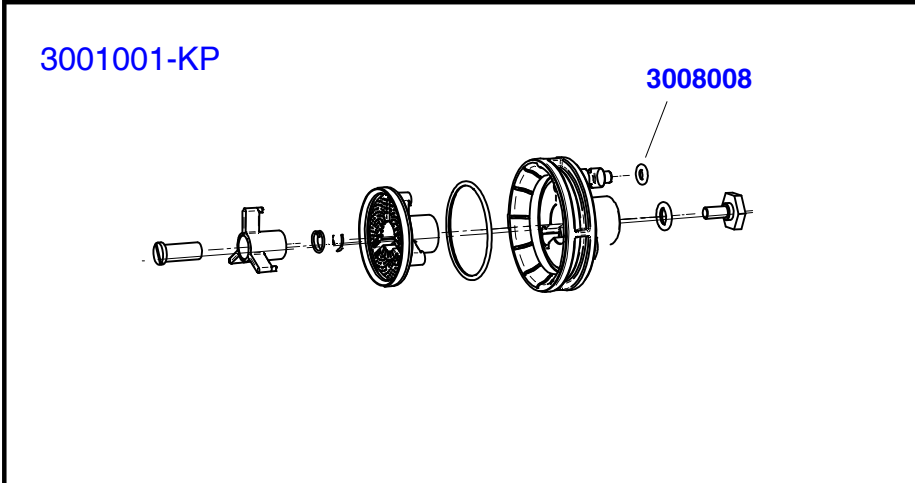
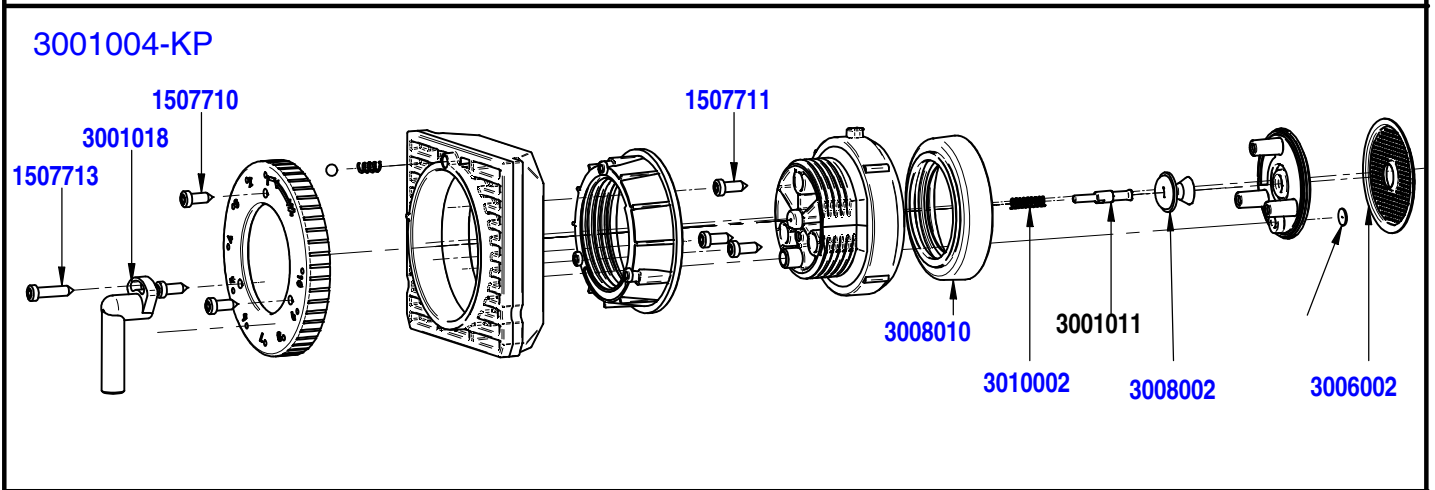
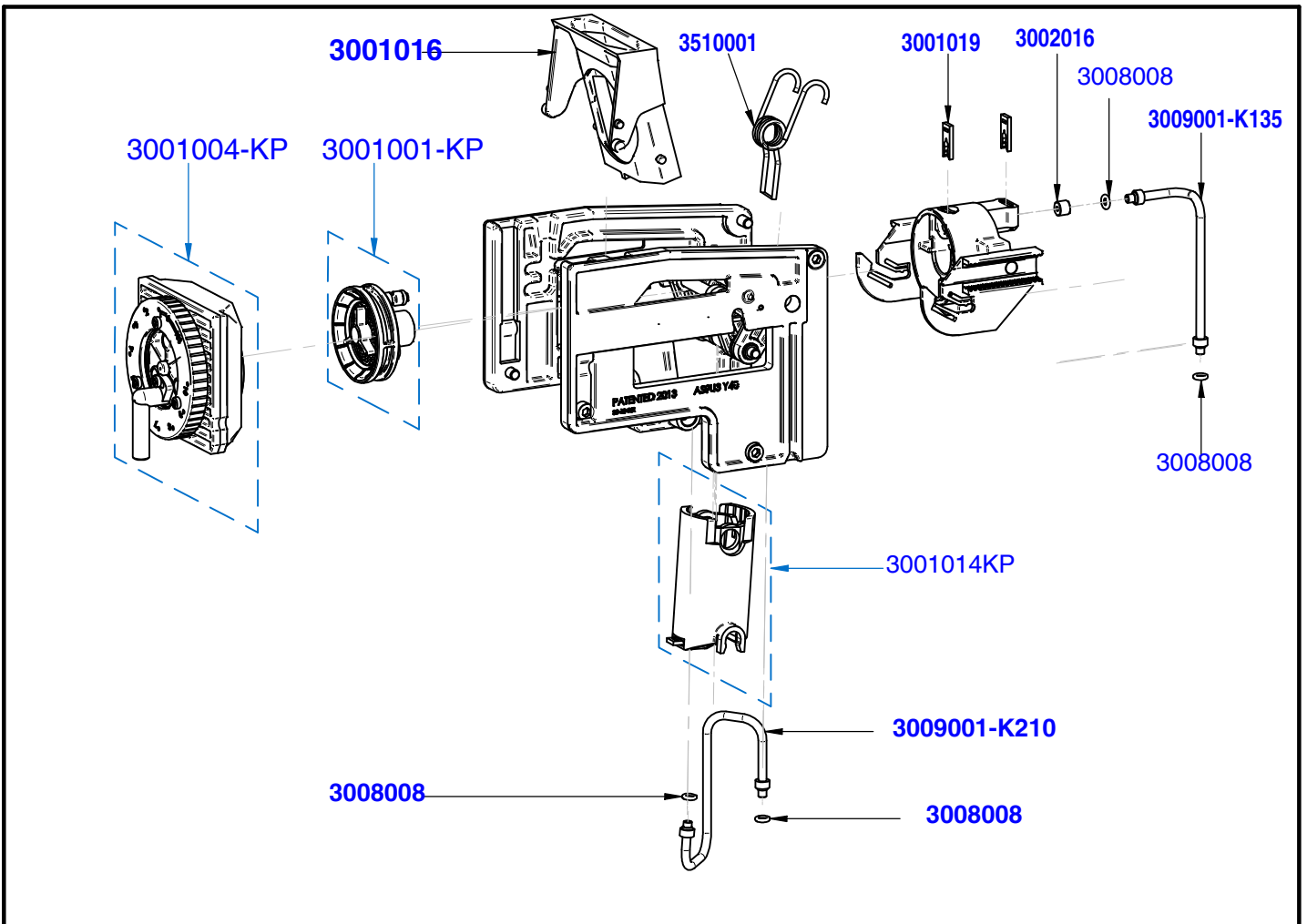


PLANCHE - PLATE 500

REF	DESIGNATIONS FR	DESIGNATIONS GB
42400	ENTRETOISE PLASTIQUE FIX CART	PLASTIC PCB SUPPORT
44201	TRANSFO TOROIDAL 70 Va/230V-24V PONY 2,4	TRANSFORMER 70 Va / 230V-24V PONY 2,4
44202	TRANSFO TOROIDAL 70 Va/110V-24V PONY 2,4	TRANSFORMER 70 Va / 110V-24V PONY 2,4
45144	CARTE CPU POUR 1 ET 2 GR	1 AND 2 UNITS CPU
45949	ETIQUETTE BORNIER	TERMINAL STICKER
AE-50	BORNIER GM GRIS	TERMINAL BLOCK GREY
AE-51	BORNIER GM BLEU	TERMINAL BLOCK BLUE
AE-52	BORNIER TERRE VERT-JAUNE	TERMINAL BLOCK - GREEN/YELLOW
ID-67A	COMMUTATEUR A1700 UL/CSA	SWITCH A1700 UL/CSA
ID-68A	CACHE DE COMMUTATEUR	TERMINAL COVER
NM-086	ADHESIF POUR COMMUTATEUR	STICKER
PE-59	VIS TCHC M4x10 INOX	SCREW 4 X 10
RB-2059	SUPPORT DOUBLE GROUPES	2 UNITS HOLDER

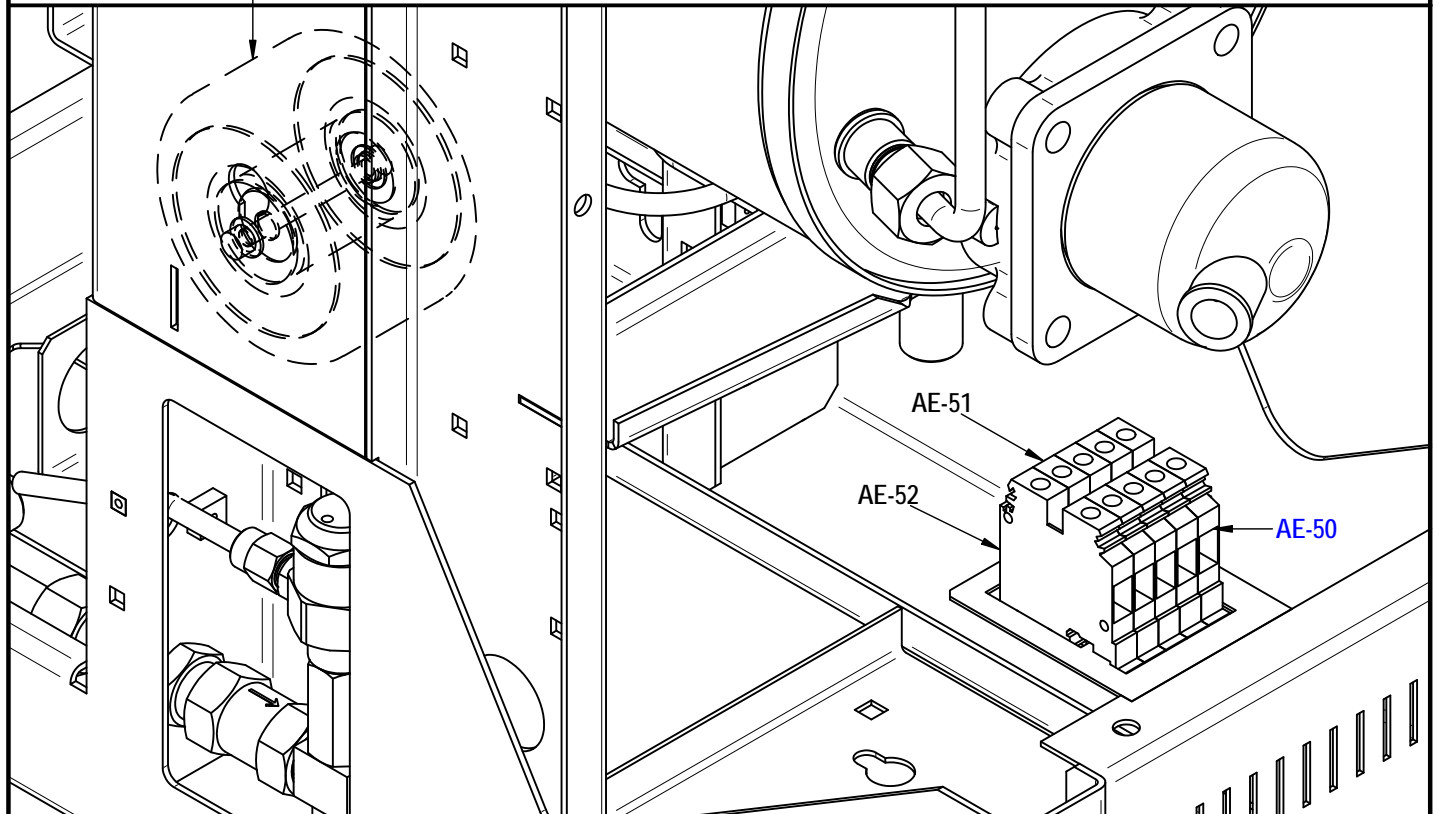
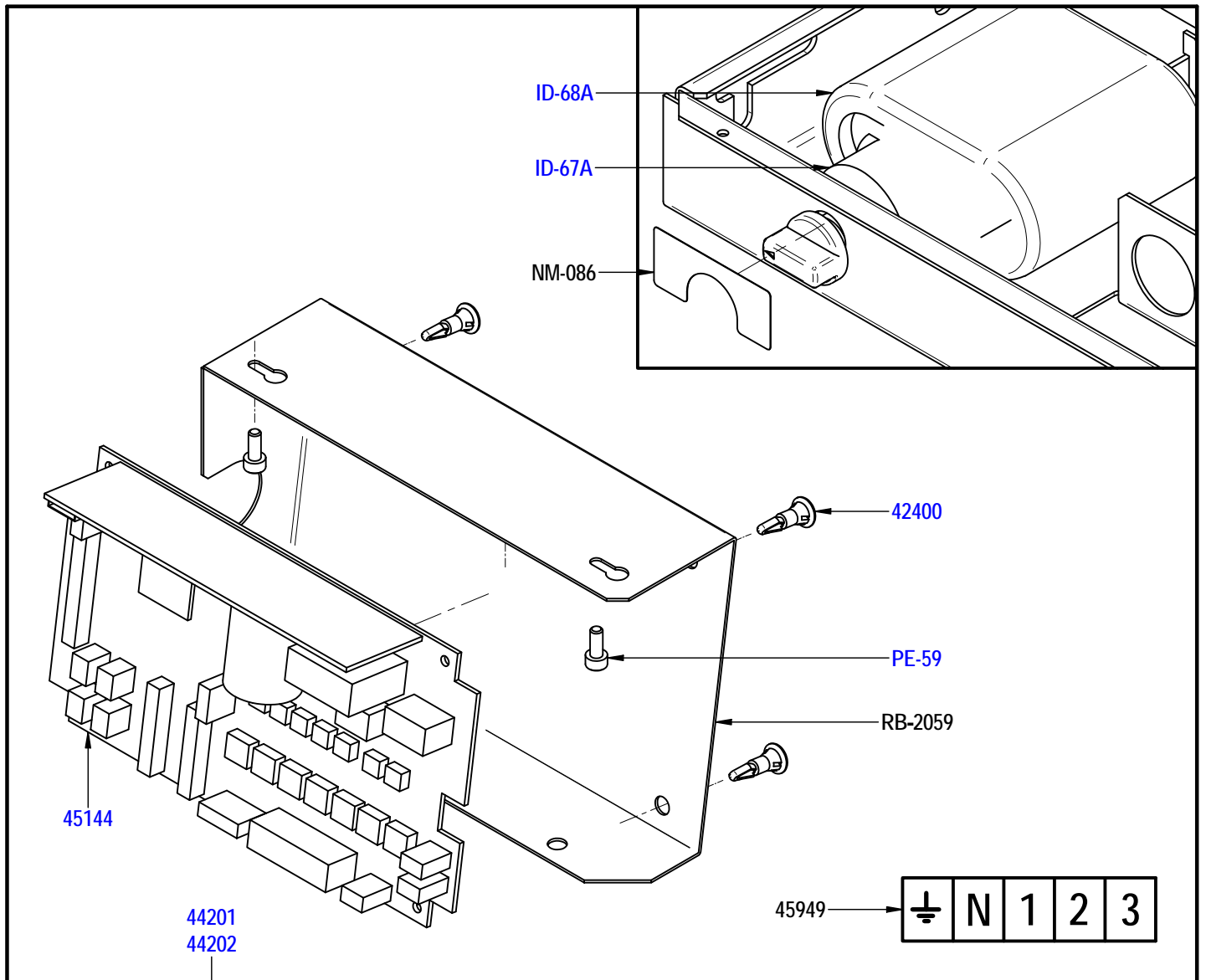
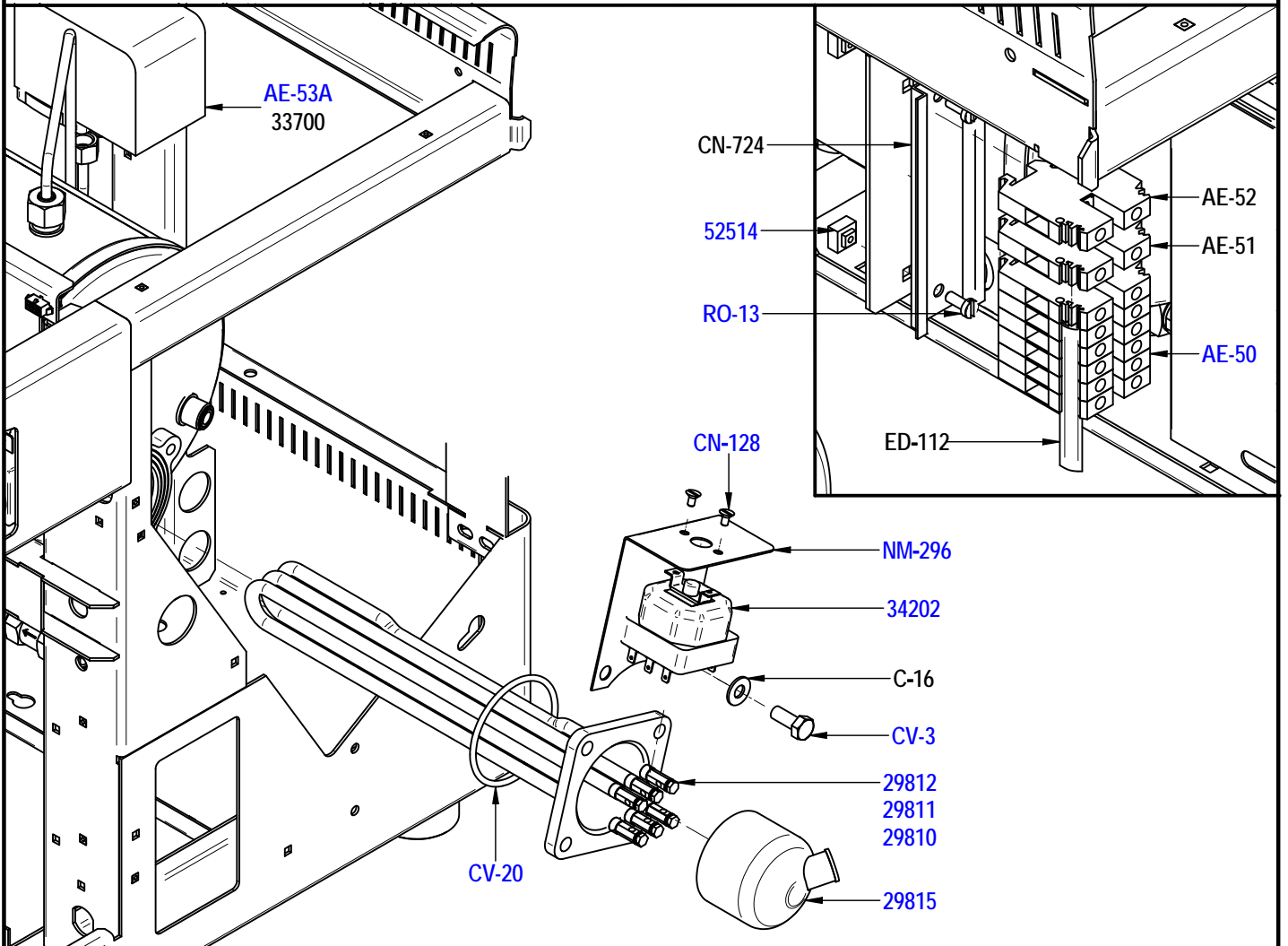
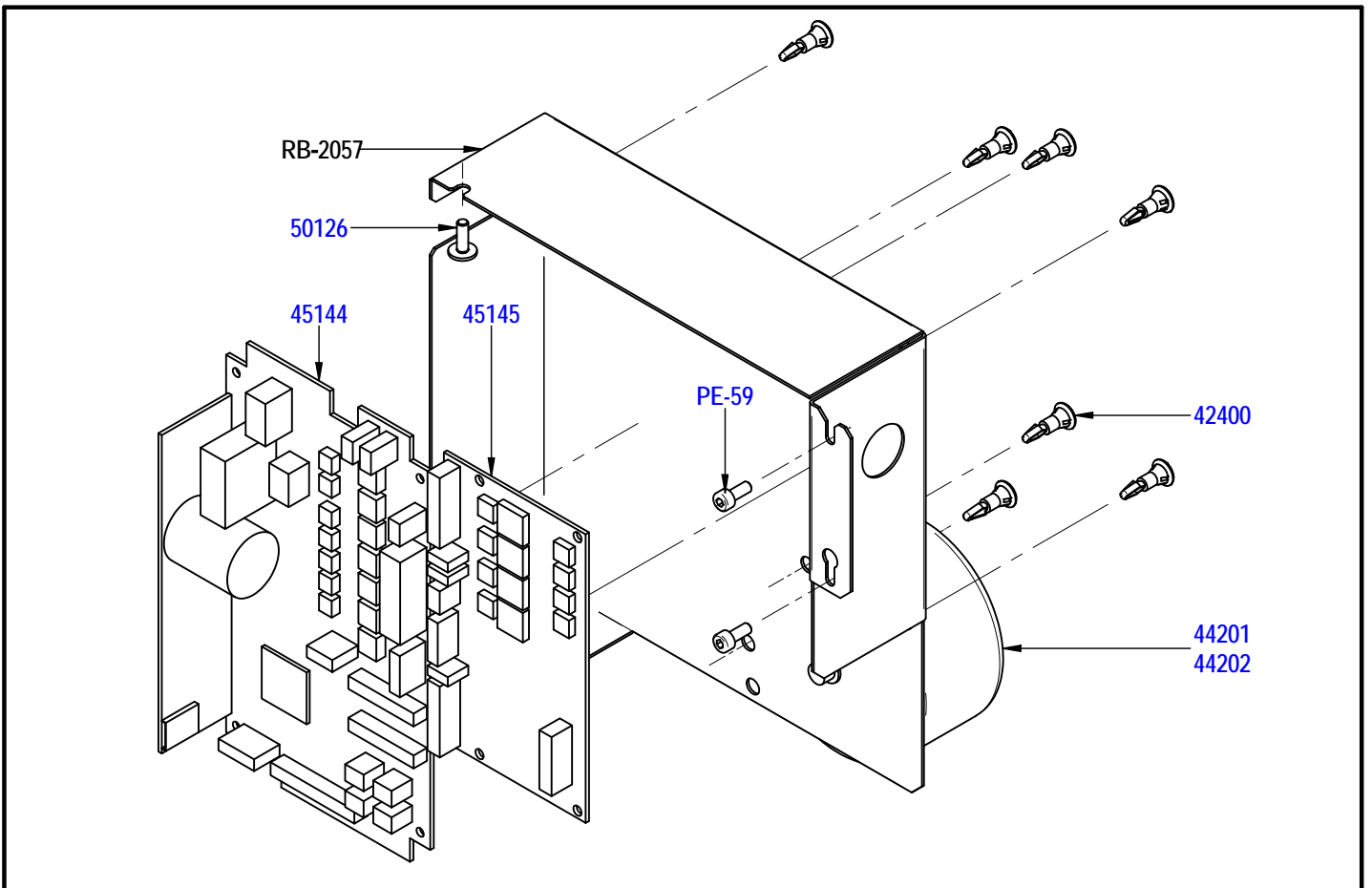
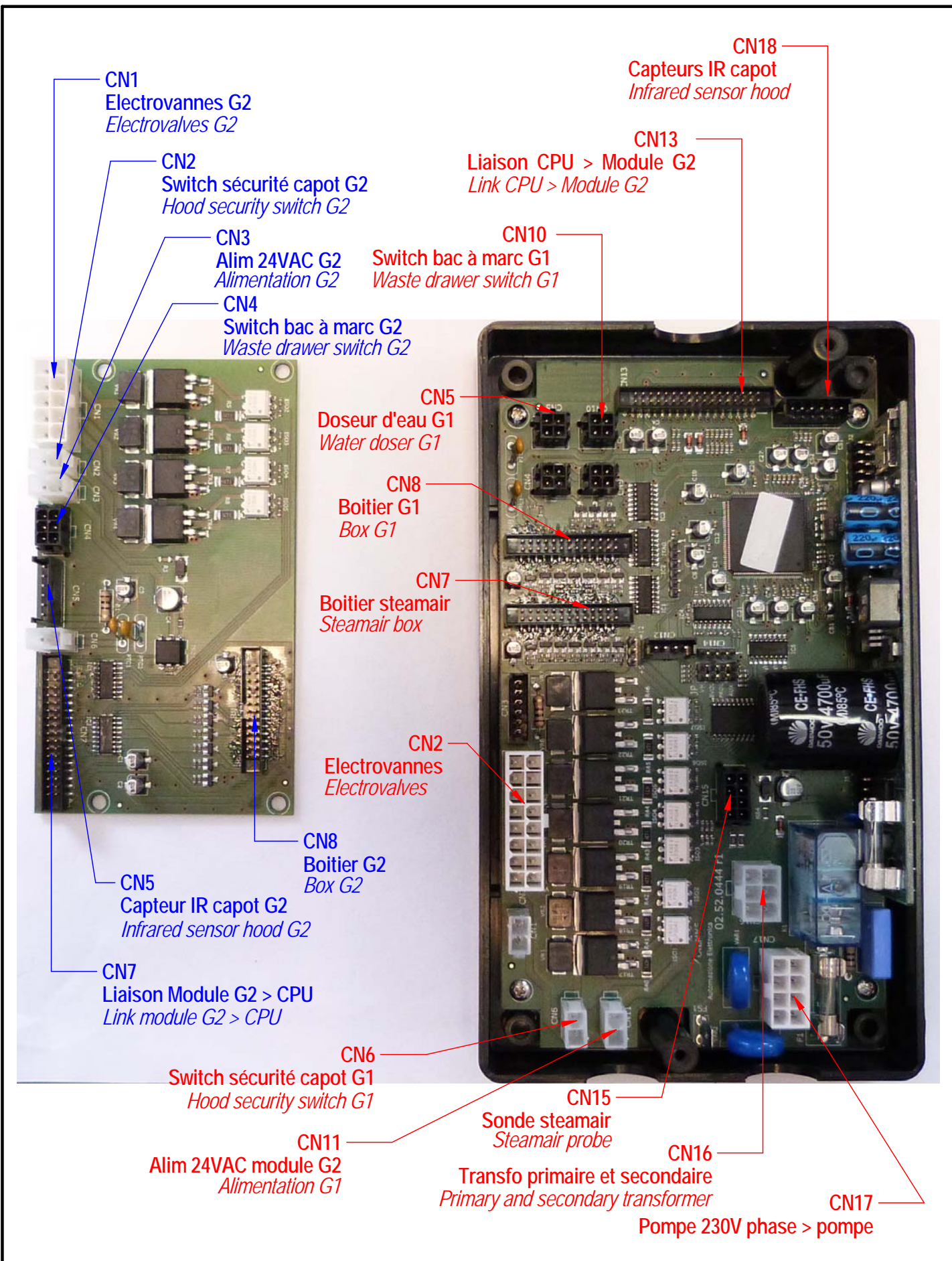


PLANCHE - PLATE 501

REF	DESIGNATIONS FR	DESIGNATIONS GB
29810	ELEMENT CHAUFFANT 110V-1500W	HEATING ELEMENT 110V-1500W
29811	ELEMENT CHAUFFANT 230V 2730W	HEATING ELEMENT 230V 2730W
29812	ELEMENT CHAUFFANT 230V4370W	HEATING ELEMENT 230V 4370W
29815	CACHE RESISTANCE	INSULATOR BOOT
33700	PRESSOSTAT A CONTACT SEC	PRESSURESTAT
34202	THERMOSTAT SECURITE 160C TRI UL	THERMOSTAT 160C UL
42400	ENTRETOISE PLASTIQUE FIX CARTE	PLASTIC PCB SUPPORT
44201	TRANSFO TOROIDAL 70 Va/230V-24V PONY 2,4	TRANSFORMER 70 Va / 230V-24V PONY 2,4
44202	TRANSFO TOROIDAL 70 Va/110V-24V PONY 2,4	TRANSFORMER 70 Va / 110V-24V PONY 2,4
45144	CARTE CPU POUR 1 ET 2 GR	1 AND 2 UNITS CPU
45145	MODULE POUR 2GR	2 UNITS MODULE
50126	VIS TB CRUCIFORME A EMBASE M4 x 12	CRUCIFORM SCREW M4 x 12
52514	ECROU RAPIDE M4 EP:2	NUT M4
AE-50	BORNIER GM GRIS	TERMINAL BLOCK GREY
AE-51	BORNIER GM BLEU	TERMINAL BLOCK BLUE
AE-52	BORNIER TERRE VERT-JAUNE	TERMINAL BLOCK - GREEN/YELLOW
AE-53A	PRESSOSTAT HOMOLOGUE UL	PRESSURESTAT UL - SIRAI
C-16	RONDELLE ACIER NICKELE M8	WASHER 8
CN-128	VIS INOX TF M4 X 8	SCREW M4 X 8
CN-724	SUPPORT BORNIER L=95 mm	RAIL
CV-20	JOINT TORIQUE 3,53X66,68 FKM	GASKET - 66.68 x 3.53
CV-3	VIS TH M8 x 20 INOX	S.STEEL SCREW M8 x 20
ED-112	ETIQUETTE BORNIER	TERMINAL STICKER
NM-296	SUPPORT THERMOSTAT	THERMOSTAT HOLDER
PE-59	VIS TCHC M4x10 INOX	SCREW 4 X 10
RB-2057	SUPPORT DOUBLE GROUPES	2 UNITS HOLDER
RO-13	VIS INOX TC 4 x 10	SCREW M4 X 10 -

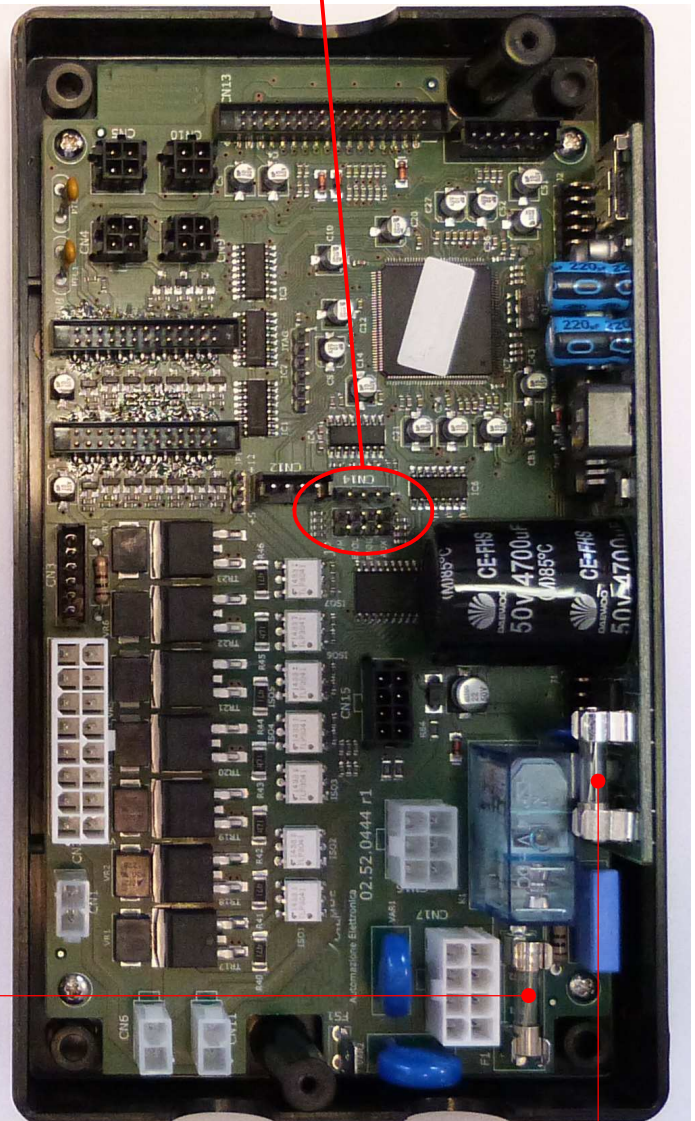
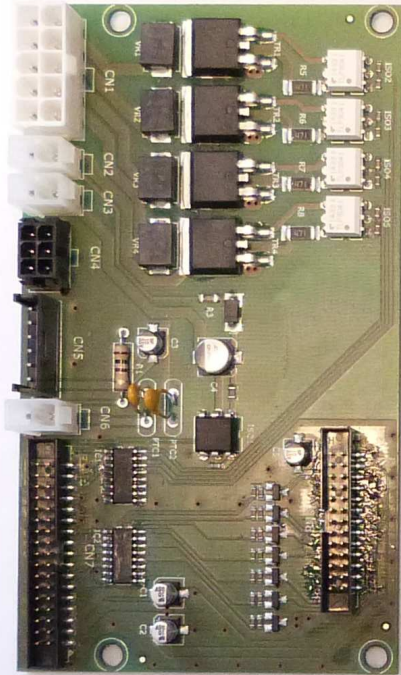
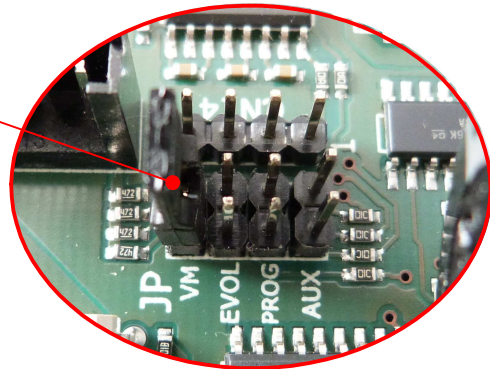




45145

45144

VM, pour vapeur manuelle
Machine sans Steamair
VM, for manual steam
Machine without Steamair



Fusible Pompe F1, T10A 250V
Fuse pump F1, T10A 250V

Fusible F2, T4A 250V
Fuse F2, T4A 250V

45145

45144

PLANCHE - PLATE 510

REF	DESIGNATIONS FR	DESIGNATIONS GB
AU-8008	CÂBLE D'ALIMENTATION GÉNÉRALE UL	<i>UL GENERAL FEEDING CABLE</i>
DV-8001	CÂBLE PRESSOSTAT / SÉCURITÉ	<i>HEATING ELEMENT PRESSURESTAT CABLE</i>
DV-8120	Câble d'alimentation générale Europe	<i>Europe general feeding cable</i>
DV-8121	Câble thermostat de sécurité de résistance	<i>Heating element safety thermostat cable</i>
DV-8122	Câble d'alimentation pressostat	<i>Pressurestat feeding cable</i>
RB-8001	CABLE 230V ,POMPE ,TRANSFO 1GR	<i>1 UNIT PUMP, TRANSFO, 230V CABLE</i>
RB-8002	CABLE EV,SECU,COMPTEUR 1 GR	<i>1 UNIT EV, SECU, COUNTER</i>
RB8006	CABLE NAPPE CPU CLAVIER 1GR	<i>1 UNIT KEYBOARD CPU RIBBON CABLE</i>
RB-8022	CABLE COMMUTATEUR KONCAR BORNIER EUROPE	<i>EUROPA SWITCH WIRE</i>
A	Commutateur	<i>Switch</i>
B	Bornier	<i>Plug</i>
C	Pressostat	<i>Pressurestat</i>
D	Thermostat de sécurité	<i>Safety thermostat</i>
E	Resistances	<i>Heating elements</i>
F	Chaudière vapeur	<i>Steam boiler</i>
G	Moteur pompe	<i>Pump motor</i>
H	Transformateur	<i>Transformer</i>
I	Boitier CPU	<i>CPU box</i>
J	Ecran groupe	<i>Unit screen</i>
K	Doseur volumétrique	<i>Volumetric doser</i>
L	Microswitch tiroir bac à marc	<i>Microswitch</i>
M	Microswitch couvercle sécurité	<i>Microswitch</i>
N	Capteurs infrarouge de la sécurité capot	<i>Sensors infrared of the safety security hood</i>
O	Bouton poussoir eau chaude	<i>Hot water pushbutton</i>
P	Bouton poussoir vapeur	<i>Steam pushbutton</i>
Q	Electrovanne piston gauche	<i>Left piston electrovalve</i>
R	Electrovanne piston droite	<i>Right piston electrovalve</i>
S	Electrovanne café gauche	<i>Left coffee electrovalve</i>
T	Electrovanne café droite	<i>Right coffee electrovalve</i>
U	Electrovanne vapeur	<i>Steam electrovalve</i>
V	Electrovanne eau chaude	<i>hot water electrovalve</i>
W	Electrovanne remplissage	<i>Filling electrovalve</i>

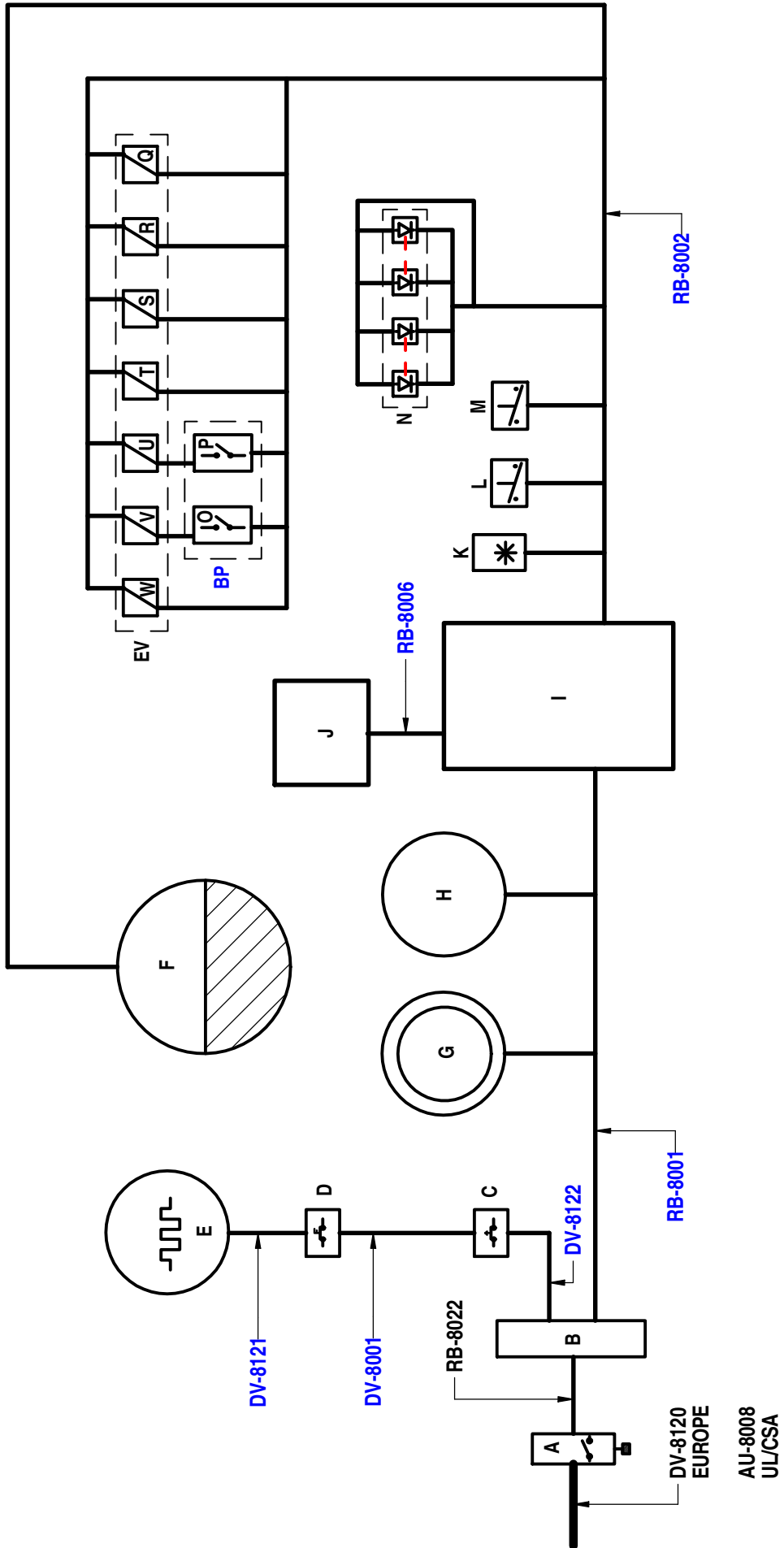
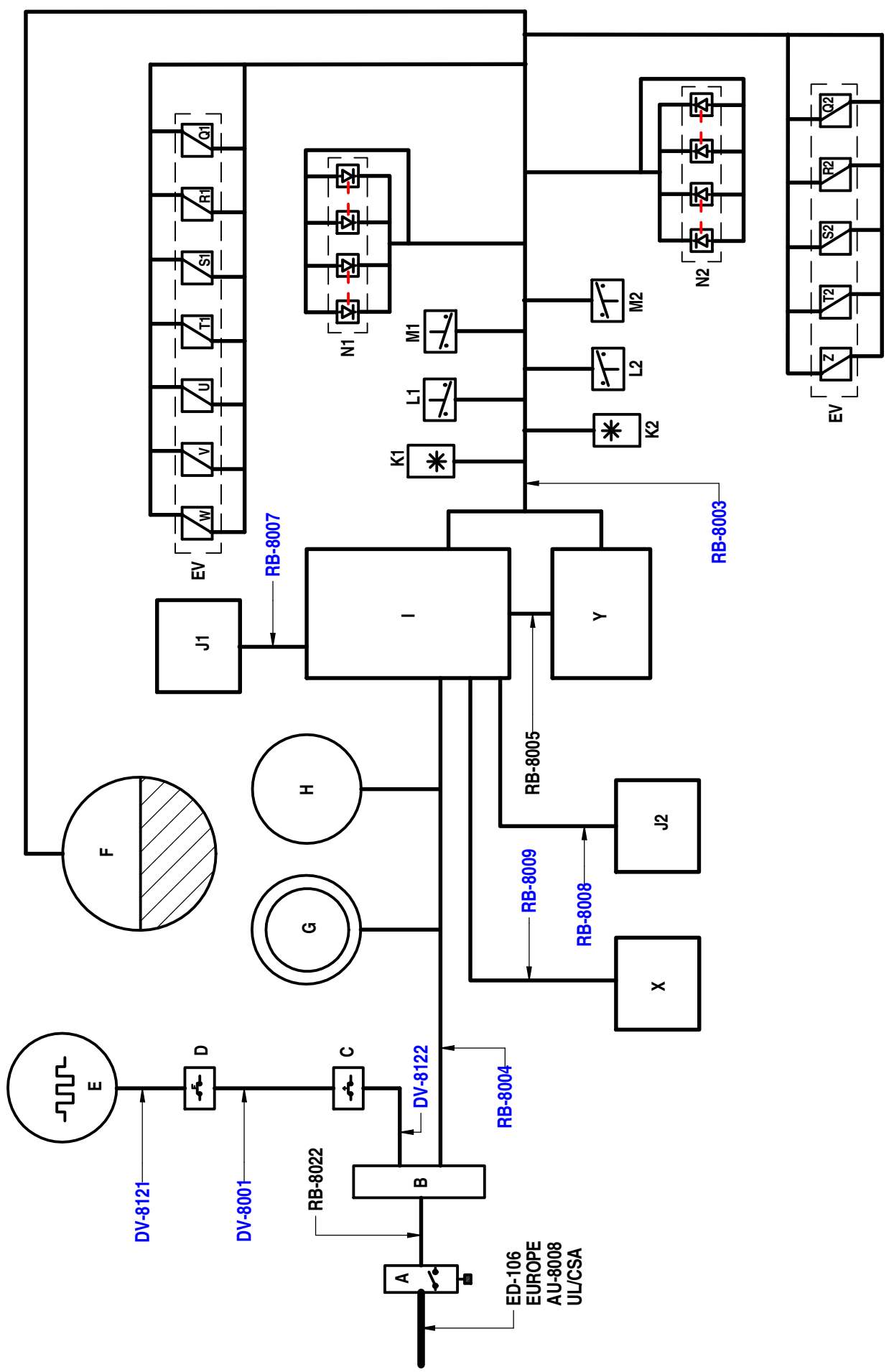


PLANCHE - PLATE 515

REF	DESIGNATIONS FR	DESIGNATIONS GB
AU-8008	CÂBLE D'ALIMENTATION GÉNÉRALE UL	UL GENERAL FEEDING CABLE
DV-8001	CÂBLE PRESSOSTAT / SÉCURITÉ	HEATING ELEMENT PRESSURESTAT CABLE
DV-8121	Câble thermostat de sécurité de résistance	Heating element safety thermostat cable
DV-8122	Câble d'alimentation pressostat	Pressurestat feeding cable
ED106	Câble d'alimentation générale Europe	Europe general feeding cable
RB-8003	CABLE EV,SECU,COMPTEUR 2 GR	2 UNITS EV, SECU, COUNTER
RB-8004	CABLE 230V ,POMPE ,TRANSFO 2GR	2 UNITS PUMP, TRANSFO, 230V CABLE
RB-8005	CABLE NAPPE CPU EXTENTION 2 GR	2 UNITS EXTENTION CPU RIBBON CABLE
RB-8007	CABLE NAPPE CPU CLAVIER 2GR 1	2 UNITS KEYBOARD CPU RIBBON CABLE
RB-8008	CABLE NAPPE CPU CLAVIER 2GR 2	2 UNITS KEYBOARD CPU RIBBON CABLE
RB-8009	CABLE NAPPE CPU CLAVIER STEAMAIR	STEAMAIR KEYBOARD CPU RIBBON CABLE
RB-8022	CABLE COMMUTATEUR KONCAR BORNIER EUROPE	EUROPA SWITCH WIRE
A	Commutateur	Switch
B	Bornier	Plug
C	Pressostat	Pressurestat
D	Thermostat de sécurité	Safety thermostat
E	Resistances	Heating elements
F	Chaudière vapeur	Steam boiler
G	Moteur pompe	Pump motor
H	Transformateur	Transformer
I	Boitier CPU	CPU box
J1/J2	Ecran groupe	Unit screen
K1/K2	Doseur volumétrique	Volumetric doser
L1/L2	Microswitch tiroir bac à marc	Microswitch
M1/M2	Microswitch couvercle sécurité	Microswitch
N1/N2	Capteurs infrarouge de la sécurité capot	Sensors infrared of the safety security hood
Q1/Q2	Electrovanne piston gauche	Left piston electrovalve
R1/R2	Electrovanne piston droite	Right piston electrovalve
S1/S2	Electrovanne café gauche	Left coffee electrovalve
T1/T2	Electrovanne café droite	Right coffee electrovalve
U	Electrovanne vapeur	Steam electrovalve
V	Electrovanne eau chaude	hot water electrovalve
W	Electrovanne remplissage	Filling electrovalve
X	Ecran steamair	Steamair screen
Y	Extention CPU 2GR	2 units CPU extention
Z	Electrovanne steamair	Steamair electrovalve



SCHEMA DE PRINCIPE DE CABLAGE PONY 4
DIAGRAM WIRING PONY 4

PLANCHE - PLATE 516

REF	DESIGNATIONS FR	DESIGNATIONS GB
NM-8000	CÂBLE THERMOSTAT SÉCURITÉ RÉSISTANCE	HEATING ELEMENT SAFETY THERMOSTAT
NM-8003	Câble d'alimentation de la résistance	Heating element feeding cable
NM-8005	Câble d'alimentation pressostat	Pressurestat feeding cable
RB-8003	CABLE EV,SECU,COMPTEUR 2 GR	2 UNITS EV, SECU, COUNTER
RB-8004	CABLE 230V ,POMPE ,TRANSFO 2GR	2 UNITS PUMP, TRANSFO, 230V CABLE
RB-8005	CABLE NAPPE CPU EXTENTION 2 GR	2 UNITS EXTENTION CPU RIBBON CABLE
RB-8007	CABLE NAPPE CPU CLAVIER 2GR 1	2 UNITS KEYBOARD CPU RIBBON CABLE
RB-8008	CABLE NAPPE CPU CLAVIER 2GR 2	2 UNITS KEYBOARD CPU RIBBON CABLE
RB-8009	CABLE NAPPE CPU CLAVIER STEAMAIR	STEAMAIR KEYBOARD CPU RIBBON CABLE
RB-8022	CABLE COMMUTATEUR KONCAR BORNIER EUROPE	EUROPA SWITCH WIRE
A	Commutateur	Switch
B	Bornier	Plug
C	Pressostat	Pressurestat
D	Thermostat de sécurité	Safety thermostat
E	Resistances	Heating elements
F	Chaudière vapeur	Steam boiler
G	Moteur pompe	Pump motor
H	Transformateur	Transformer
I	Boitier CPU	CPU box
J1/J2	Ecran groupe	Unit screen
K1/K2	Doseur volumétrique	Volumetric doser
L1/L2	Microswitch tiroir bac à marc	Microswitch
M1/M2	Microswitch couvercle sécurité	Microswitch
N1/N2	Capteurs infrarouge de la sécurité capot	Sensors infrared of the safety security hood
Q1/Q2	Electrovanne piston gauche	Left piston electrovalve
R1/R2	Electrovanne piston droite	Right piston electrovalve
S1/S2	Electrovanne café gauche	Left coffee electrovalve
T1/T2	Electrovanne café droite	Right coffee electrovalve
U	Electrovanne vapeur	Steam electrovalve
V	Electrovanne eau chaude	hot water electrovalve
W	Electrovanne remplissage	Filling electrovalve
X	Ecran steamair	Steamair screen
Y	Extention CPU 2GR	2 units CPU extention
Z	Electrovanne steamair	Steamair electrovalve

