

➤ Switching on the heating

All the elements start heating automatically if filling is correct. When the machine reaches its operating temperature it is ready to work. The steam pressure and the group temperatures are displayed on the screen.

We recommend leaving the machine with the heating switched on all the time, and leaving the filter holders in position on the machine when they are not in use.

◇ CHECKS & ADJUSTMENTS

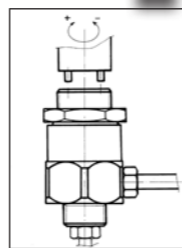
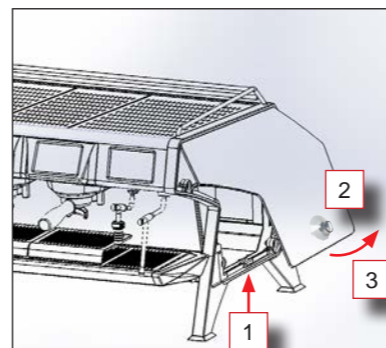
Normally all adjustments are made before the machine leaves the factory. Check that these adjustments are correct and change them if necessary; proceed as follows to access them:

You need to remove the right side panel of the machine:

Loosen the 3 mm BTR screw at the bottom of the machine (1) between the two straight feet.

Use suction cup (2) to remove the side by tipping it up (3).

Warning to holder the heavy side (4)



➤ Adjusting the temperature

The temperatures of each group and the steam boiler are adjusted independently from the control screen via the "adjustments" menu (see technical note for more precision).

➤ Adjusting the expansion valve

The valve is located at the top, on the right rear of the machine. It is necessary to remove the right side. The valve must open at about 13 bar (1.3MPa).

- If it opens ABOVE 13 bar: **UNSCREW**

- If it opens BELOW 13 bar: **SCREW IN**

Use a lug wrench (ref: OU003). After adjustment, do not forget to lock the lock-nut.

➤ Adjusting the pump pressure

In infusion, the pressure must be 9 to 10 bar (0.9MPa et 1MPa)

The pump is located on the right side of the machine and is adjusted by this same side.

SCREW IN to INCREASE the pressure,
UNSCREW to DECREASE the pressure,

➤ Adjusting the water entry solenoid valve

The solenoid valve is located at the top, on the back-right of the machine. It is necessary to remove the cup heater.

Machine at temperature, launch a cycle (with coffee) continuously on each unit simultaneously.

Make the boiler fill up (draw hot water). Adjust the maximum flow rate of the solenoid valve so as not to descend below 7 bar (0.7MPa).

Then check that the filling time of the boiler is not excessive.

➤ Adjusting the coffee grinding

Wait until the machine has reached the set temperature 0.9 to 1 bar (0.09MPa à 0.1MPa).

It is the finesse of the grinding which determines the time for passing the hot water through the dose. This time is usually monitored by using the two-cup filter with two doses of coffee.

Average passing time for 2 cups (6 to 7 cl. per cup): 30 to 35 seconds.

- If this time is shorter, reduce the grinding.

- If this time is too long, increase the grinding.

To obtain a good result, use at least 6 g. of (good) ground coffee per cup.

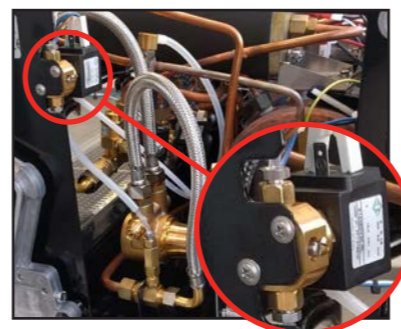
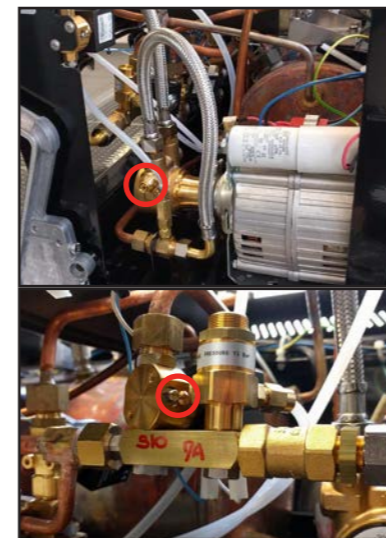
➤ Adjustment of mixer tap for the hot water

The mixer tap is located at the top, on the front-right of the machine. For access, it is necessary to remove the right side.

The temperature range is 55°C to 95°C (131°F à 203°F). To adjust the desired temperature, use a flat screwdriver. We adjust the cold circuit electrovalve, open at his maximum the high circuit electrovalve.

Make the settings during the hot water cycle.

SCREW IN to INCREASE the temperature,
UNSCREW to DECREASE the temperature.



stella ★ ★ ★ ★ ★ ★ ★ ★ ★ ★ epic



INSTALLATION GUIDE

Thank you for choosing UNIC, the first French manufacturer of professional espresso machines since 1919.

The manufacturer reserves the right to modify the appliances presented in this publication without notice. Read carefully the safety instructions before use.

SE9131 05/2019

UNIC



Z.I. 4e RUE - BP. 425
06515 CARROS CEDEX 1 - FRANCE
Tel: (33) 04 92 08 62 60
Fax: (33) 04 93 29 24 23

www.unic.fr
info@unic.fr

UNIC

Safety advice

This device is intended to be used only for its specific use.

The manufacturer disclaims any liability for damage caused by abnormal use or abuse.

Children 8 years of age or older and persons with reduced physical, mental or sensory abilities, or lack of experience and skill may use this device, if supervised by a qualified person, or they have received the instructions for use and security necessary to understand the risks involved.

Supervise children to make sure they do not play with the appliance and they can't make the cleaning & maintenance of the machine.

Do not leave the packaging elements within reach of children. These elements are potentially a source of danger.

The installation must be done by a qualified technician and following local and national regulations. He is the only one to be authorized to access the internal parts of the device for maintenance and repair.

Use only the technical and spare parts manuals for proper functioning of the machine, and avoid compromising safety.

Access to the service area is limited to persons with the necessary knowledge of safety and hygiene as well as practical experience of the device.

Leave enough free space around the machine to facilitate its use and to perform any maintenance operations.

The device **must not be**:

- exposed to the elements of the external environment or placed in damp places,
- exposed to a water jet or splashing.
- installed in areas where the jets or high pressure cleaners are used.

The device **must be**:

- placed on a stable, level and horizontal surface
- used at an ambient temperature of 5°C to 35°C (41°F - 95°F), (if it is stored at an ambient temperature below 5°C (41°F) the water circuit (boiler-piping) must be drained.)

- if the device freezes, wait 24 hours at a minimum temperature of 10°C (50°F) before restarting the device. Before connecting the power and water supplies, check that the electrical and water network are in accordance with the technical information plate of the device.

The power supply must be provided with the following safety features: power switch which completely isolates the machine from the mains (gap between contacts of at least 3 mm), efficient earthing and an effective circuit breaker for protection against earthing leaks; section of the conductors appropriate for a power capacity.

Before connecting or disconnecting the power cable, switch the main switch onto position 0. If the power supply cable is damaged, it must be replaced by the manufacturer, by its after-sales service technician or similarly qualified persons, to avoid any danger.

For electrical safety, make sure that the device is properly earthed.

The manufacturer disclaims any liability for damage caused by improper earthing.

The device must be connected to a water network with a pressure of 1 to 8 bar (0.1 to 0.8 MPa) and a tap

readily accessible must be fitted in front of the water supply tube. The device is to be installed with adequate backflow protection to comply with applicable federal state and local codes.

In case of emergency (fire, surge, abnormal noise, etc. the first thing to do is to cut off the current and close the water tap.

Be careful not to obstruct the air inlets of the machine with towels or other objects.

Beware of hot surfaces such as cup heaters, the unit heads and the hot water and steam outputs.

Never install containers filled with liquid on the top of the machine.

Beware of jets of hot water or steam.

The machine should be descaled only by a qualified technician.

◇ PRÉSENTATION OF THE STELLA EPIC

The Stella di Caffè features a water boiler for each group. In addition, a large separate boiler provides an ample supply of steam.

Almost all parameters of the machine can be viewed and adjusted simply and intuitively from the touch screen.

◇ PRÉPARATION OF THE MACHINE

The machine is delivered in a cardboard box and is screwed onto a wooden pallet.

> Unpacking the machine

- Cut the strapping.
- Open the crate and take out the box containing the accessories.
- Unscrew the nuts securing the machine to the pallet.
- Separate the cardboard box from the pallet.
- Remove the machine from the pallet and place it on wooden blocks.
- Remove the transport screws and washers.

> Preparing the site and installing the machine

- Position the machine in its final location, and level it with rubber washers if necessary.
- The machine must be installed on a flat surface.
- It is necessary to leave a space of 5 cm at the back. Do not obstruct the air intakes provided on the top of the machine.
- An earthed electric socket corresponding with the characteristics of the machine and a water supply are enough.
- The canopies are put in place after the settings have been done.
- The machine must not operate without its feet.

◇ WATER CONNECTION

Water softener essential above 5° KH

Water supply:

- Pressure: 0 - 8 bars (0.1MPa - 0.8 MPa).
- Union: 3/8 female gas (male union on the machine).
- Tube: internal diameter 8 mm minimum.
- Provide a shut-off tap.

Work on the right side of the machine:

Unscrew the bolt (ref. NM096) at top at the cup heater. Slide the side toward the back.

Screw the water inlet tube to the union in the machine (photo opposite).

Draining:

- Union: Ø18 mm (female on the machine).
- Tube: internal diameter 12 mm minimum.

The drain tube is supplied fitted on the machine. It is held by an adjustable Rilsan collar. Dislodge the tube from the collar.

Then connect the other end of the drain tube to a waste water drain by ensuring that no adverse slope interferes with good outflow.

Drain pipe are mounted and delivered on the machine.

Connect the other end of the drain pipe to a waste water drain while making sure that there are no reverse slopes to hinder the flow.

◇ ELECTRIC CONNECTION

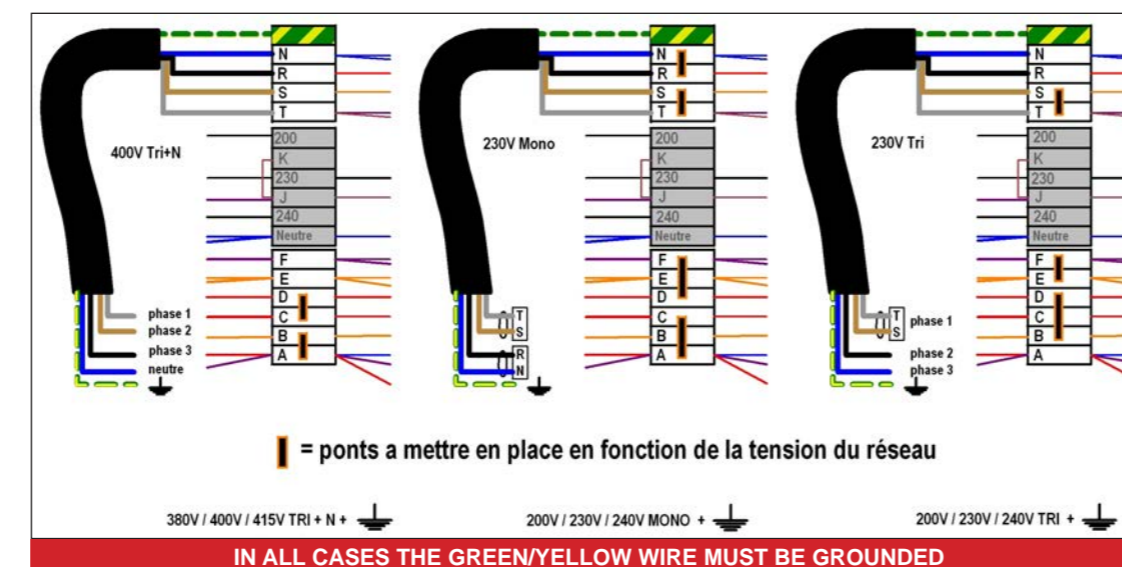
CAUTION: The machine must be connected to a fixed wiring with an all-pole disconnecter.

The machine is delivered with a cable consisting of 5 wires.

- Put the all-pole disconnecter on "0" before any intervention.
- Make sure that the voltage, frequency and power values marked on the machine data plate are in conformity with the electric network mains
- Make sure that the machine connection matches the available voltage supply (see wiring diagrams hereunder). If necessary, modify by moving bridges on the terminal block (left side of the machine)

CAUTION: for connection to 230V with a 5 cable core, wires situated at the end of the cable must be correctly coupled.

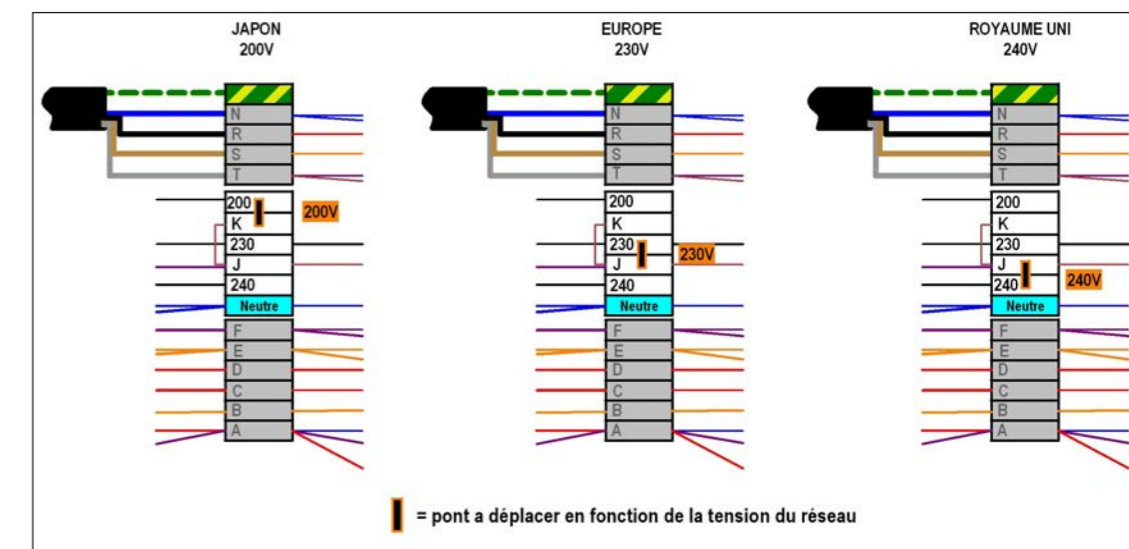
- 230V single phase: blue and black wires together, brown and grey wires together. Be aware with the amperage (32A).
- 230V three phase: brown and grey wires together + there is no neutral so the blue wire must be connected to a phase.



> ADAPTATION OF TRANSFORMER TO ACCOMMODATE INCOMING VOLTAGE

The machine is equipped with a multi-voltage transformer to ensure correct supply voltage to the electronics. The machine is set in the factory according to the destination country.

Examples :



If it is necessary to change the factory setting, only the jumpers should be repositioned: no wiring should be moved.

◇ STARTING-UP

When the power is switched on the machine performs an initialisation cycle that checks all the components; the starting up time is approximately 45sec.

> Filling the boilers

As soon as the power is switched on the boilers fill automatically. Remember to turn on the water stop valve.

◆ Steam boiler

A safety function is provided in case the boiler is not filled in within 3 minutes: the filling solenoid valve and the pump switch off.

In all cases:

Check the water supply to the machine

Switch the machine off and on again: switch the main isolation switch to 0 and then back to 1 Filling starts again

◆ Group boilers

A small amount of water should flow out of each group.

If not, the light bar above the faulty group flashes:

Check the water supply to the machine

Switch the machine off and on again: switch the main isolation switch to 0 and then back to 1 Filling starts again