

Stella di Caffè

SPARE
PARTS



Merci d'avoir choisi UNIC, premier fabricant français de machines espresso professionnelles depuis 1919.

Thank you for choosing UNIC, the first French manufacturer of professional espresso machines since 1919.

Le fabricant se réserve le droit de modifier sans préavis les caractéristiques de l'appareil, dans un souci d'amélioration de ses performances.

Lire attentivement les consignes de sécurité avant toute utilisation.

The manufacturer reserves the right to modify the appliances presented in this publication without notice. Read carefully the safety instructions before use.

NZ9005 09/15

PIÈCES
DÉTACHÉES

UNIC

PIECES DETACHEES POUR MODELE STELLA SPARE PARTS FOR STELLA MODEL

PLANCHES PLATES

100	MODELE STELLA	STELLA MODEL
120	HABILLAGE STELLA	STELLA CASING
140	BASSINE	OVERFLOW TRAY
150	PIEDS HAUTS	LONG FEET
200	CALANDRE	FRONT PANEL
210	BOITIERS	ELECTRONIC BOX
220	CONNEXION BOITIERS BGX	BGX BOX CONNECTION
230	CONNEXION BOITIERS BTA & BST	BTA & BST BOX CONNECTION
240	GROUPE STELLA	STELLA UNIT
250	CHAUDIERE GROUPE	GROUP BOILER
251	KIT PRE INFUSION EVP	PRE BREWING EV KIT
252	KIT PRE INFUSION EVP + CPRESS	PRE BREWING EV + SENSOR KIT
255	ADAPTATEUR DHA	DHA ADAPTOR
260	ELECTROVANNE 3 VOIES	ELECTROVALVE 3 WAYS
280	PORTE FILTRE	FILTER HOLDER
290	PORTE AIMANT	MAGNET HOLDER
295	DETECTEUR EFFET HALL	HALL EFFECT DETECTOR
300	NOURRICE ALIMENTATION EAU	WATER FEEDING UNIT
310	DOSEURS D'EAU	WATER DOSING DEVICE
320	CHAUDIERE VAPEUR	STEAM BOILER
330	CIRCUIT HYDRAULIQUE 2 GROUPES	2 UNITS HYDRAULIC CIRCUIT
340	CIRCUIT HYDRAULIQUE 3 GROUPES	3 UNITS HYDRAULIC CIRCUIT
350	CIRCUIT HYDRAULIQUE 4 GROUPES	4 UNITS HYDRAULIC CIRCUIT
400	SORTIE EAU CHAUDE	HOT WATER OUTLET
410	ELECTROVANNE SORTIE VAPEUR	STEAM OUTLET ELECTROVALVE
420	ROBINET VAPEUR	STEAM TAP
430	SORTIE STEAMAIR	STEAMAIR OUTLET
440	ROBINET VAPEUR A DROITE	RIGHT STEAM TAP
450	ELECTROVANNE 2 VOIES	ELECTROVALVE 2 WAYS
600	MOTEUR POMPE	PUMP MOTOR
650	RELAIS STATIQUES	SOLID STATE RELAY
700	TABEAU RACCORDEMENT ELECTRIQUE	ELECTRIC CONNECTION PANEL
710	CONNEXION CARTE CPU	CPU BOARD CONNECTION
720	CARTE CPU	CPU BOARD
730	VOYANTS ET PONTS CARTE CPU	LED AND JUMPER CPU BOARD
740	VENTILATEUR	FAN
800	STELLA V+	STELLA V+
810	KIT DOUBLE COMMANDE	DUAL COMMAND LEVER KIT
820	LEVIER DE COMMANDE	COMMAND LEVER
830	DOUBLE COMMANDE	DUAL COMMAND LEVER
850	BANDEAU ARRIERE	REAR STRIP
973	SORTIE CAPPUCCINO LATTE	AUTOFROTHER LC
983	SORTIE EAU CHAUDE REGLABLE	ADJUSTABLE HOT WATER OUTLET
1010	REFERENCES DE CABLES	WIRES REFERENCES

PLANCHE/PLATE : 100

REP	REF	DESIGNATION	DESIGNATION
1	NZ1400	COTE GAUCHE STELLA MONTE	COMPLET LEFT SIDE STELLA
1	NZ1401	COTE DROIT STELLA MONTE	COMPLET RIGHT SIDE STELLA
2	NZ7010	ENJOLIVEUR GAUCHE	LEFT ORNAMENTAL
2	NZ7012	ENJOLIVEUR DROIT	RIGHT ORNAMENTAL
3	NZ3020	CHAUFFE TASSES 2GR	CUP WARMER 2 UNITS
3	NZ3030	CHAUFFE TASSES 3GR	CUP WARMER 3 UNITS
3	NZ3040	CHAUFFE TASSES 4GR	CUP WARMER 4 UNITS
4	45106	BOITIER ECRAN CONTRÔLE (BTA)	SCREEN CONTROL ELECTRONIC BOX (BTA)
5	46172	BANDEAU STELLA 2GR	2 UNITS STELLA STRIP
5	46173	BANDEAU STELLA 3GR	3 UNITS STELLA STRIP
5	46174	BANDEAU STELLA 4GR	4 UNITS STELLA STRIP
6	45100	BOITIER DOSAMAT (BGX)	DOSAMAT ELECTRONIC BOX (BGX)
7	45104	BOITIER STEAMAIR (BST)	STEAMAIR ELECTRONIC BOX (BST)
8	NZ1020	SORTIE STEAMAIR STELLA	STELLA STEAMAIR OUTLET
9	DV1024	SORTIE EAU CHAUDE REGLABLE	ADJUSTABLE HOT WATER OUTLET
10	NZ7030	CACHE GROUPE	UNIT COVER
11	NZ2055	GRILLE DE BASSINE DROITE	RIGHT OVERFLOW TRAY GRID
12	NZ2062	GRILLE BASSINE HAUTE 2GR	HIGH GRID 2 UNITS
12	NZ2063	GRILLE BASSINE HAUTE 3GR	HIGH GRID 3 UNITS
12	NZ2064	GRILLE BASSINE HAUTE 4GR	HIGH GRID 4 UNITS
13	NZ3023	BASSINE 2GR	2 UNITS OVERFLOW TRAY
13	NZ3033	BASSINE 3GR	3 UNITS OVERFLOW TRAY
13	NZ3043	BASSINE 4GR	4 UNITS OVERFLOW TRAY
14	NZ2054	GRILLE DE BASSINE GAUCHE	LEFT OVERFLOW TRAY GRID
15	25902	SORTIE VAPEUR STELLA INOX	STELLA S.STEEL STEAM OUTLET
16	NZ7000	JOUE DE BASSINE GAUCHE	LEFT ORNAMENTAL OVERFLOW
16	NZ7002	JOUE DE BASSINE DROITE	RIGHT ORNAMENTAL OVERFLOW
17	44714	PRISE USB	USB JACK
17	44715	CABLE LIAISON USB	USB JACK CABLE
17	44708	clef USB	USB key
17	53402	BOUCHON PRISE USB	CAP FOR USB A JACK
18	NZ3024	DEVANT 2GR	FRONT CASING 2 UNITS
18	NZ3034	DEVANT 3GR	FRONT CASING 3 UNITS
18	NZ3044	DEVANT 4GR	FRONT CASING 4 UNITS
19	43211	DISJONCTEUR	CIRCUIT BREAKER
19	NZ8047	CABLE DIRUPTOR	MAIN SWITCH CABLE

03/11

STELLA (3)

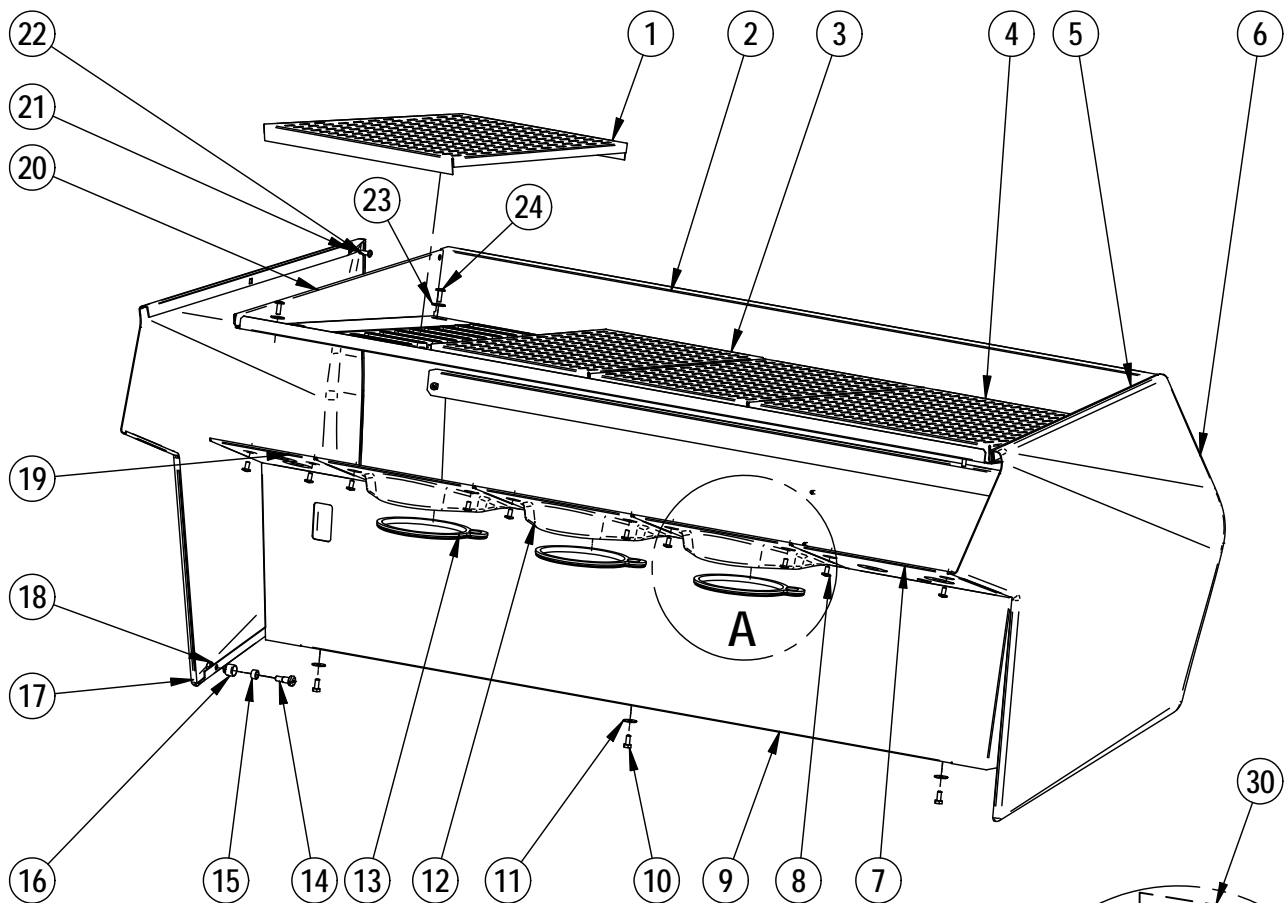
LINEA

100

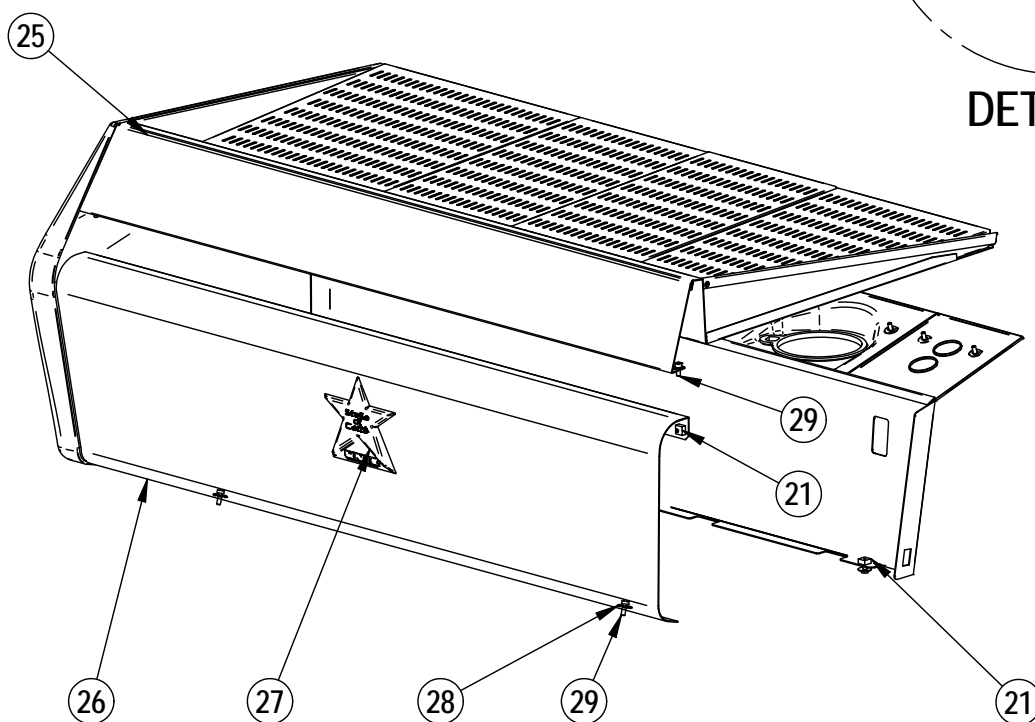
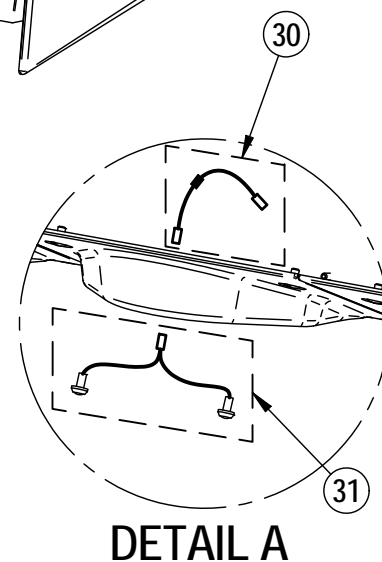


PLANCHE/PLATE : 120

REP	REF	DESIGNATION	DESIGNATION
1	NZ3007	VERRIERE GAUCHE	LEFT CUP RACK
2	NZ3020	CHAUFFE TASSES 2GR	CUP WARMER 2 UNITS
	NZ3030	CHAUFFE TASSES 3GR	CUP WARMER 3 UNITS
	NZ3040	CHAUFFE TASSES 4GR	CUP WARMER 4 UNITS
3	NZ3009	VERRIERE MODULE	MIDDLE CUP RACK
4	NZ3008	VERRIERE DROITE	RIGHT CUP RACK
5	NZ3016	COTE DROIT CHAUFFE TASSES	RIGHT SIDE CUP WARMER
6	NZ7006	COTE DROIT	RIGHT SIDE
7	NZ7007	CACHE ELECTROVANNE	ELECTROVALVE COVER
	NZ7007R	CACHE ELECTROVANNE VERSION ROBINET	ELECTROVALVE COVER TAP VERSION
8	ID-129	VIS INOX POELIER VM 4 X 8	SCREW 4 X 8
9	NZ3024	DEVANT 2GR	FRONT CASING 2 UNITS
	NZ3034	DEVANT 3GR	FRONT CASING 3 UNITS
	NZ3044	DEVANT 4GR	FRONT CASING 4 UNITS
10	50118	VIS TH M4X10 INOX	S.STEEL SCREW M4X10
11	51552	RONDELLE L4 INOX	S..STEEL WASHER L4
12	NZ7030	CACHE GROUPE	UNIT COVER
13	DV-165	JOINT POUR JUPETTE NSF CAPTEUR	GASKET COVER SENSOR
	DV-164	JOINT POUR JUPETTE NSF	GASKET COVER
14	50215	VIS EPAULEE COTE	SIDE SCREW
15	28904	RESSORT ELASTOMERE	RUBBER SPRING
16	60002	DOUILLE RESSORT ELASTOMERE	RUBBER SPRING SOCKET
17	NZ7005	COTE GAUCHE	LEFT SIDE
18	51100	ECROU M5 INOX	NUT M5
19	NZ7008	CACHE ROBINET	TAP COVER
20	NZ3015	COTE GAUCHE CHAUFFE TASSES	LEFT SIDE CUP WARMER
21	CN-661	ECROU RAPID M4 EN CAGE /1_1,6	INSERT NUT M4
22	NM-096	VIS TBHC M4X12 INOX	S.STEEL SCREW M4X12
23	PG-16	RONDELLE ACIER Zn 4,25x14x0,8	WASHER
24	CN-694	VIS POELIER M 4 X 12 INOX	SCREW M4 X 12
25	NZ3026	ARRIERE CHAUFFE TASSES 2GR	CUP WARMER BACK 2 UNITS
	NZ3036	ARRIERE CHAUFFE TASSES 3GR	CUP WARMER BACK 3 UNITS
	NZ3046	ARRIERE CHAUFFE TASSES 4GR	CUP WARMER BACK 4 UNITS
26	NZ3021	CHEMISE 2GR	REAR CASING 2 UNITS
	NZ3031	CHEMISE 3GR	REAR CASING 3 UNITS
	NZ3041	CHEMISE 4GR	REAR CASING 4 UNITS
27	NZ7025	LOGO STELLA	STELLA SIGN
28	51552	RONDELLE L4 INOX	S..STEEL WASHER L4
29	PE-59	VIS TCHC M4x10 INOX	SCREW 4 X 10
30	NZ8053	CABLE POUR LED GROUPE- EV	UNIT-EV CABLE FOR LED
31	NZ8054	CABLE LED GROUPE	LED UNIT CABLE

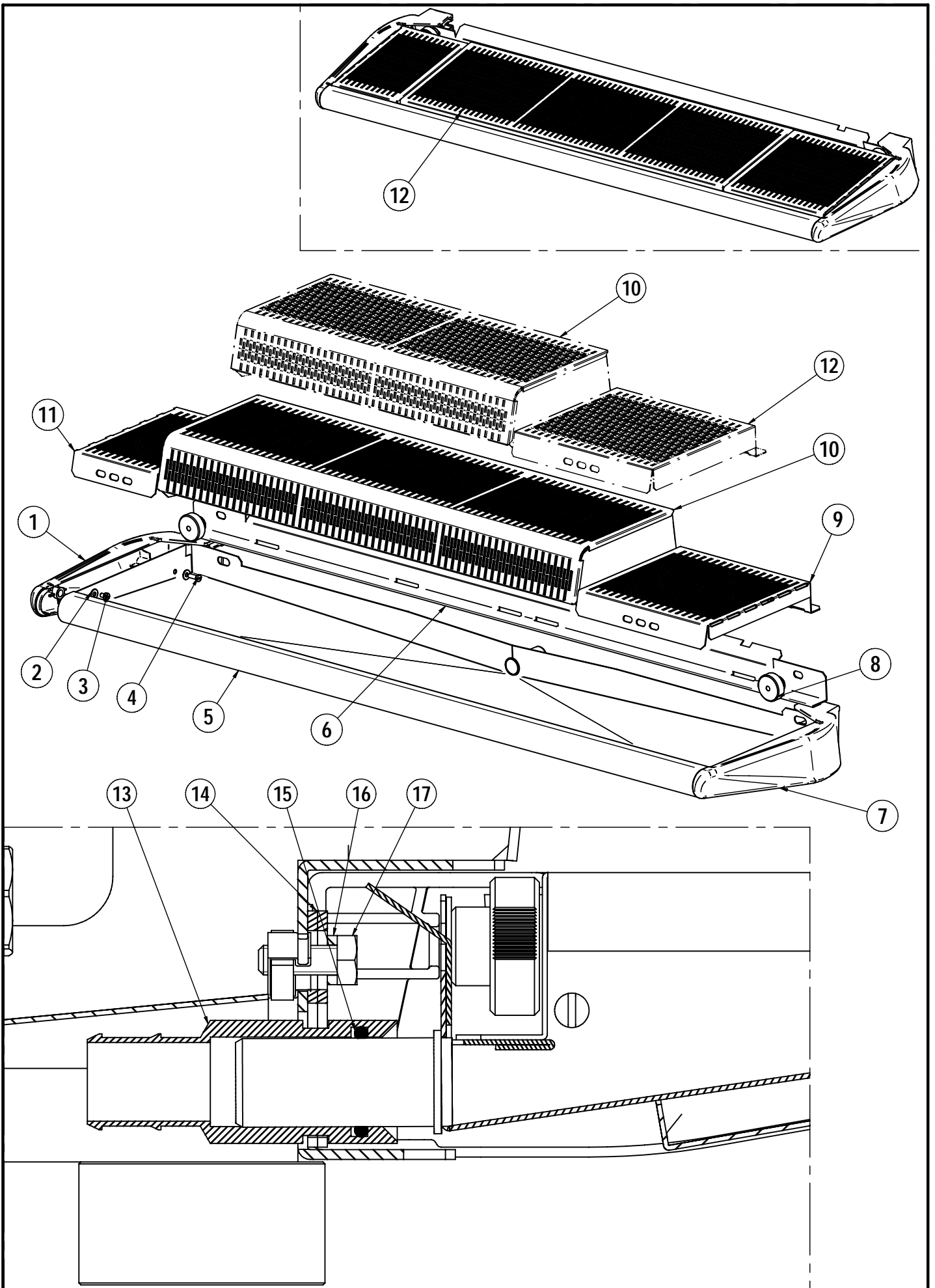


COTE GAUCHE MONTE / COMPLET LEFT SIDE: NZ1400
 COTE DROIT CONTE / COMPLET RIGHT SIDE: NZ1401



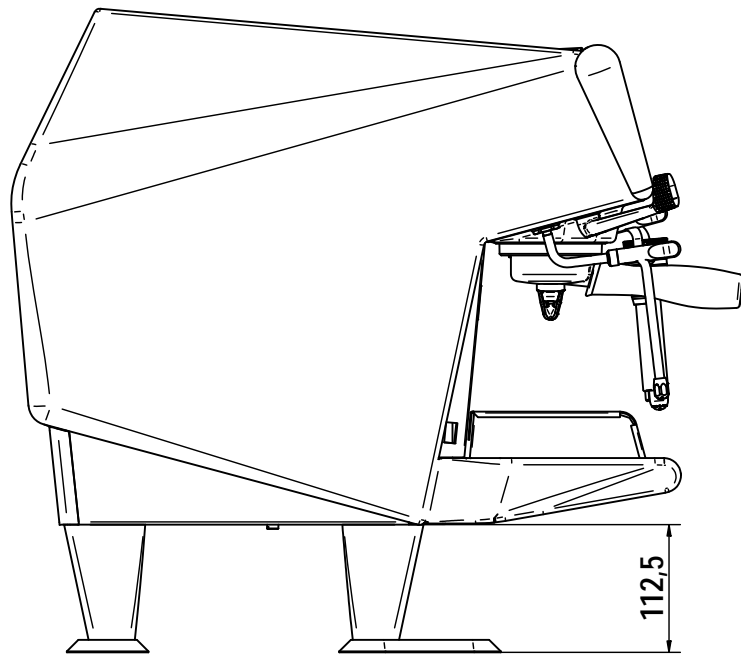
PLANCHE/PLATE : 140

REP	REF	DESIGNATION	DESIGNATION
1	NZ7000	JOUE DE BASSINE GAUCHE	LEFT ORNAMENTAL OVERFLOW
2	PG-15B	RONDELLE INOX 4.2X10X0.8	WASHER
3	CN-325	VIS INOX TC 4 x 6	SCREW M4 X 6
4	DO-195	VIS ACIER INOX TC 4 X 12	SCREW M4 X 12
5	NZ3023	BASSINE 2GR	2 UNITS OVERFLOW TRAY
5	NZ3033	BASSINE 3GR	3 UNITS OVERFLOW TRAY
5	NZ3043	BASSINE 4GR	4 UNITS OVERFLOW TRAY
6	NZ2032	SUPPORT GRILLES DE BASSINE 2GR	GRID SUPPORT 2 UNITS
6	NZ2033	SUPPORT GRILLES DE BASSINE 3GR	GRID SUPPORT 3 UNITS
6	NZ2034	SUPPORT GRILLES DE BASSINE 4GR	GRID SUPPORT 4 UNITS
7	NZ7002	JOUE DE BASSINE DROITE	RIGHT ORNAMENTAL OVERFLOW
8	NZ4002	ECROU MOLETE M6	NUT M6
9	NZ2055	GRILLE DE BASSINE DROITE	RIGHT OVERFLOW TRAY GRID
10	NZ2062	GRILLE BASSINE HAUTE 2GR	HIGH GRID 2 UNITS
10	NZ2063	GRILLE BASSINE HAUTE 3GR	HIGH GRID 3 UNITS
10	NZ2064	GRILLE BASSINE HAUTE 4GR	HIGH GRID 4 UNITS
10	NZ2061	GRILLE BASSINE HAUTE 1GR	HIGH GRID 1 UNIT
11	NZ2054	GRILLE DE BASSINE GAUCHE	LEFT OVERFLOW TRAY GRID
12	NZ2026	GRILLE DE BASSINE 2GR	2 UNITS OVERFLOW TRAY GRID
12	NZ2036	GRILLE DE BASSINE 3GR	3 UNITS OVERFLOW TRAY GRID
12	NZ2046	GRILLE DE BASSINE 4GR	4 UNITS OVERFLOW TRAY GRID
12	NZ2028	GRILLE DE BASSINE 1GR	1 UNIT OVERFLOW TRAY GRID
13	NZ4005	TUBE VIDANGE	DRAIN PIPE
14	NZ2017	SUPPORT VIDANGE	DRAIN SUPPORT
15	27845	JOINT TORIQUE 2.62 X 17.13	O-RING 2.62 X 17.13
16	51655	RONDELLE GROWER DE 6	WASHER 6
17	SH-28	VIS TH M6 X 16	SCREW M6 X 16
	NZ1031	BASSINE 2GR COMPLETE	2 UNITS OWERFLOW TRAY KIT
	NZ1032	BASSINE 2GR V+ COMPLETE	2 UNITS V+ OWERFLOW TRAY KIT
	NZ1033	BASSINE 3GR COMPLETE	3 UNITS OWERFLOW TRAY KIT
	NZ1034	BASSINE 3GR V+ COMPLETE	3 UNITS V+ OWERFLOW TRAY KIT
	NZ1035	BASSINE 4GR COMPLETE	4 UNITS OWERFLOW TRAY KIT
	NZ1036	BASSINE 4GR V+ COMPLETE	4 UNITS V+ OWERFLOW TRAY KIT

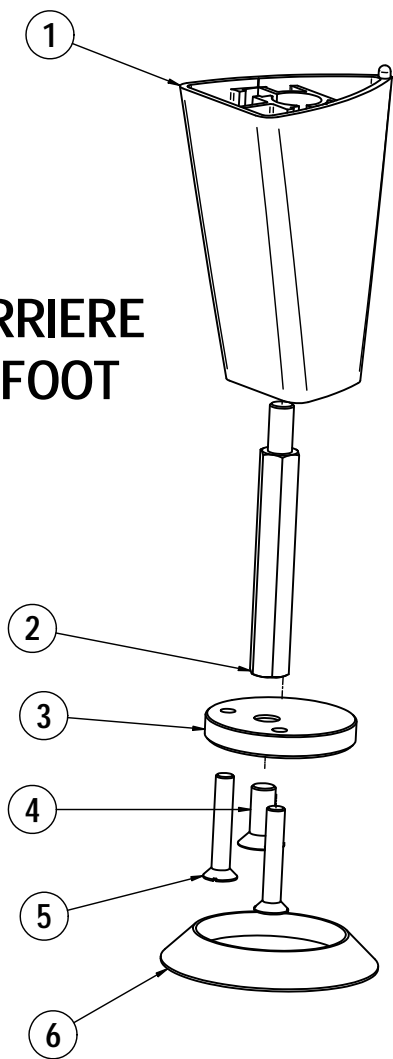


PLANCHE/PLATE : 150

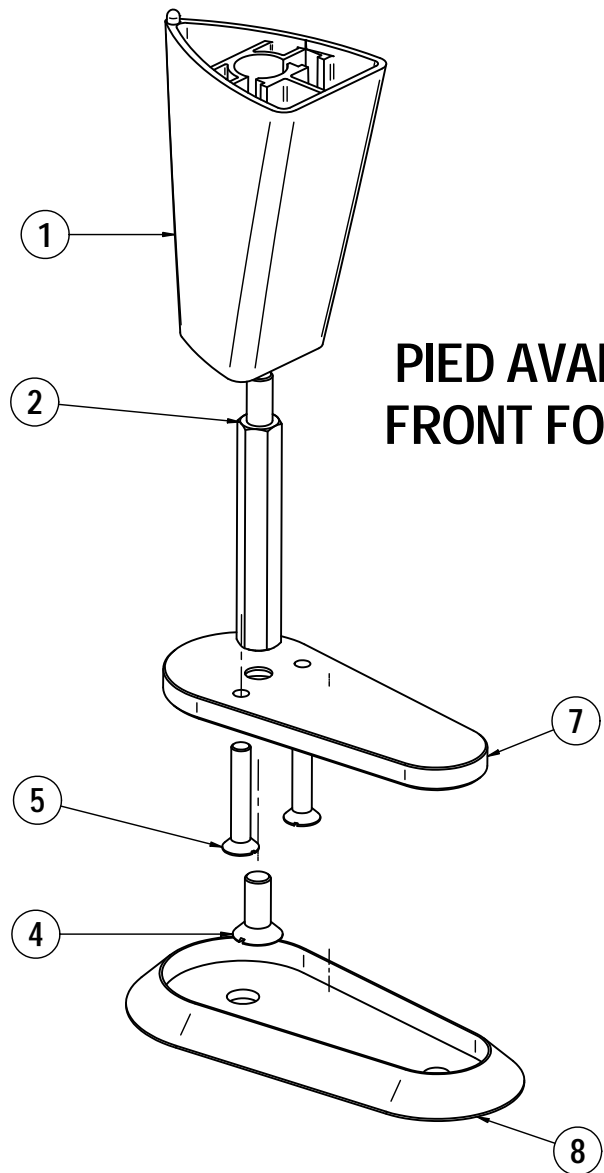
REP	REF	DESIGNATION	DESIGNATION
1	NZ7020	PIED ARRIERE	REAR FOOT
2	NZ4020	COLONETTE PIED HAUT	SPACER
3	NZ4024	EMBASE PIED ARRIERE	REAR FOOT BASE
4	50408	VIS TF M8X20	SCREW M8X20
5	50300	VIS TF M6X35 INOX	SCREW M6X25 STAINLESS STEEL
6	NZ7024	PATIN PIED ARRIERE	REAR RUBBER FOOT
7	NZ4025	EMBASE PIED AVANT	FRONT FOOT BASE
8	NZ7023	PATIN PIED AVANT	FRONT RUBBER FOOT



**PIED ARRIERE
REAR FOOT**



**PIED AVANT
FRONT FOOT**



PLANCHE/PLATE : 200

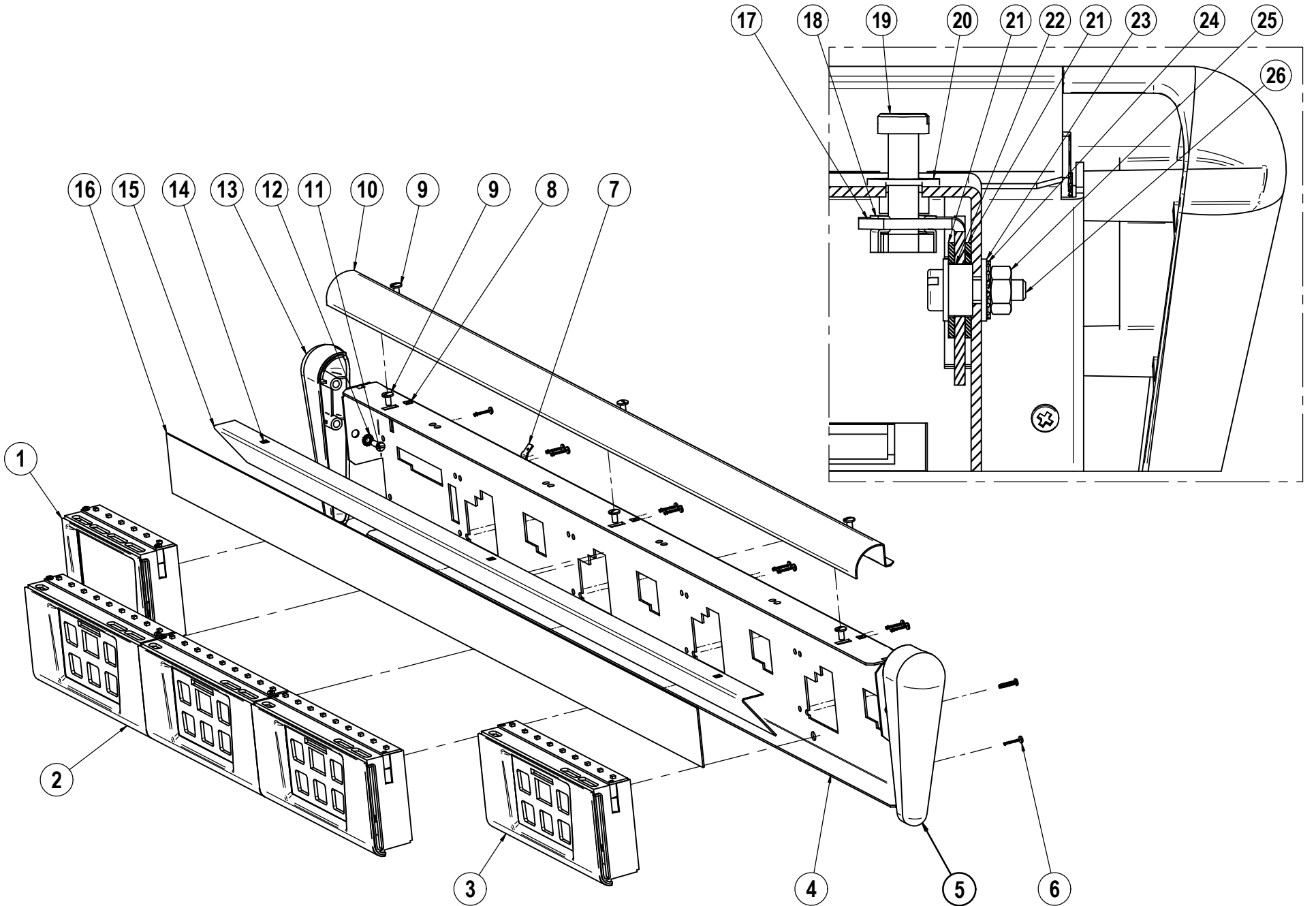
REP	REF	DESIGNATION	DESIGNATION
1	45106	BOITIER ECRAN CONTRÔLE (BTA)	SCREEN CONTROL ELECTRONIC BOX (BTA)
2	45100	BOITIER DOSAMAT (BGX)	DOSAMAT ELECTRONIC BOX (BGX)
	45102	BOITIER 2T (BGX)	2 CUPS ELECTRONIC BOX (BGX)
	45103	BOITIER 3T (BGX)	3 CUPS ELECTRONIC BOX (BGX)
	45101	BOITIER 0/1 (BGX)	0/1 ELECTRONIC BOX (BGX)
3	45104	BOITIER STEAMAIR (BST)	STEAMAIR ELECTRONIC BOX (BST)
	45105	BOITIER EAU CHAUDE (BST)	HOT WATER ELECTRONIC BOX (BST)
4	NZ3028	SUPPORT CALANDRE 2GR	2 UNITS FRONT PANEL
	NZ3038	SUPPORT CALANDRE 3GR	3 UNITS FRONT PANEL
	NZ3048	SUPPORT CALANDRE 4GR	4 UNITS FRONT PANEL
5	NZ7012	ENJOLIVEUR DROIT	RIGHT ORNAMENTAL
6	50708	VIS AUTOFORMEUSE 3X14	SCREW 3X14
7	41305	FASTON MALE A VISSER	MALE FASTON PIN
	NZ8048	CABLE MASSE CALANDRE	FRONT PANEL GROUND CABLE
8	52514	ECROU RAPIDE M4 EP:2	NUT M4
9	ID-129	VIS INOX POELIER VM 4 X 8	SCREW 4 X 8
10	NZ3029	DESSUS DE CALANDRE 2GR	2 UNITS FRONT PANEL TOP
	NZ3039	DESSUS DE CALANDRE 3GR	3 UNITS FRONT PANEL TOP
	NZ3049	DESSUS DE CALANDRE 4GR	4 UNITS FRONT PANEL TOP
11	DO-195	VIS ACIER INOX TC 4 X 12	SCREW M4 X 12
12	CN-343	RONDELLE EVENTAIL 4	WASHER 4
13	NZ7010	ENJOLIVEUR GAUCHE	LEFT ORNAMENTAL
14	CN-661	ECROU RAPID M4 EN CAGE /1_1,6	INSERT NUT M4
15	NZ3051	DEFLECTEUR CALANDRE 2GR	2 UNITS DEFLECTOR
	NZ3052	DEFLECTEUR CALANDRE 3GR	3 UNITS DEFLECTOR
	NZ3053	DEFLECTEUR CALANDRE 4GR	4 UNITS DEFLECTOR
16	46172	BANDEAU STELLA 2GR	2 UNITS STELLA STRIP
	46173	BANDEAU STELLA 3GR	3 UNITS STELLA STRIP
	46174	BANDEAU STELLA 4GR	4 UNITS STELLA STRIP
17	NZ3017	ACCROCHE CALANDRE GAUCHE	LEFT FRONT PANEL HOOK
	NZ3018	ACCROCHE CALANDRE DROITE	RIGHT FRONT PANEL HOOK
18	52516	ECROU RAPIDE M6 EP:2	NUT M6
19	50304	VIS TC M6X25 INOX	S.STEEL SCREW M6X25
20	PH-32	RONDELLE ACIER Zn 6,25x14x1,2	WASHER
21	CH-2	JOINT PLAT PTFE	PTFE GASKET
22	51818	ENTRETOISE	SPACER
23	51600	RONDELLE INOX MOYENNE DE 5	WASHER
24	CN-344	RONDELLE EVENTAIL DE 5	LOCK WASHER 5
25	51100	ECROU M5 INOX	NUT M5
26	PE-66	VIS TC M5 X 16 INOX	SCREW M5 X 16

05/2011

CALANDRE
FRONT PANEL

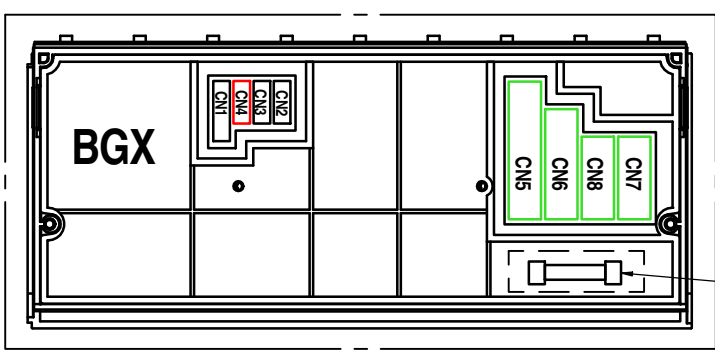
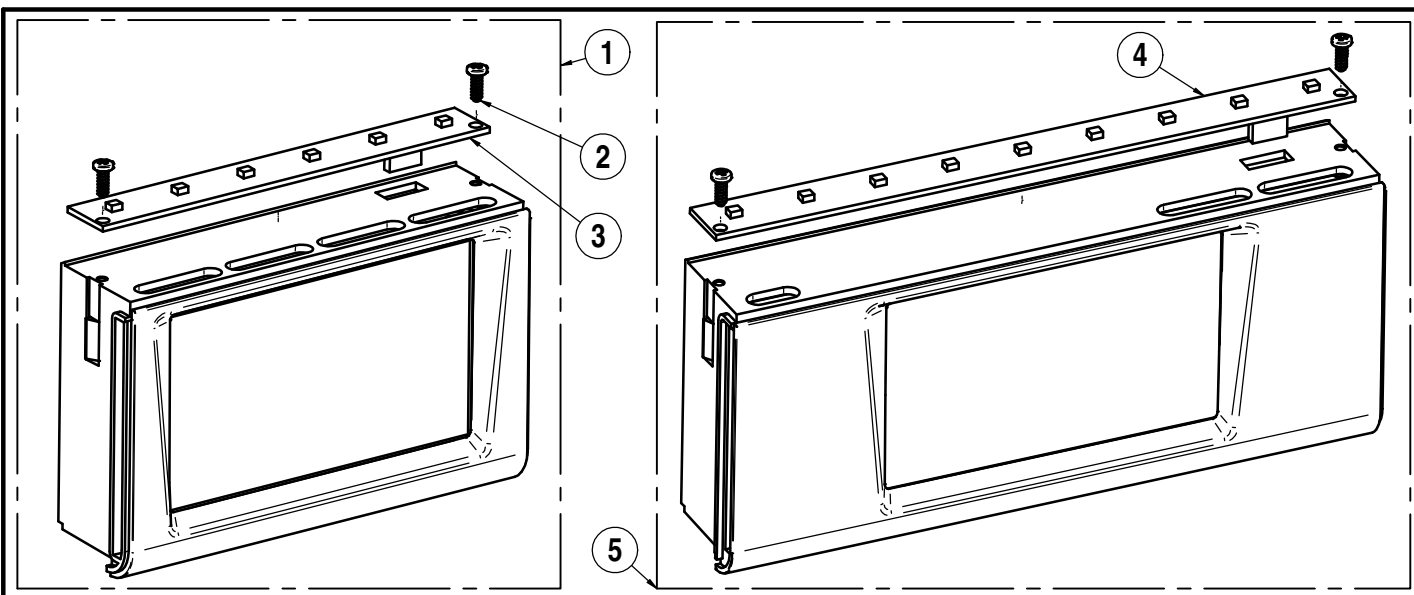
UNICE

200



PLANCHE/PLATE : 210

REP	REF	DESIGNATION	DESIGNATION
1	45106	BOITIER ECRAN CONTRÔLE (BTA)	SCREEN CONTROL ELECTRONIC BOX (BTA)
2	50716	VIS TCBZ 3X8	SCREW TCBZ 3X8
3	45366	REGLETTE LED BOITIER BTA	LED STRIP FOR BTA BOX
4	45365	REGLETTE LED BOITIER BGX	LED STRIP FOR BGX BOX
5	45100	BOITIER DOSAMAT (BGX)	DOSAMAT ELECTRONIC BOX (BGX)
5	45101	BOITIER 0/1 (BGX)	0/1 ELECTRONIC BOX (BGX)
5	45102	BOITIER 2T (BGX)	2 CUPS ELECTRONIC BOX (BGX)
5	45103	BOITIER 3T (BGX)	3 CUPS ELECTRONIC BOX (BGX)
5	45104	BOITIER STEAMAIR (BST)	STEAMAIR ELECTRONIC BOX (BST)
5	45105	BOITIER EAU CHAUDE (BST)	HOT WATER ELECTRONIC BOX (BST)
6	43116	FUSIBLE 5 X 20 2A RETARDE T	FUSE 2A DELAYED
7	45624	LEGENDE CLAVIER DOSAMAT	DOSAMAT KEYBOARD PICTURE
7	45625	LEGENDE CLAVIER 2 TASSES	2 CUPS KEYBOARD PICTURE
7	45626	LEGENDE CLAVIER 3 TASSES	3 CUPS KEYBOARD PICTURE
7	45627	LEGENDE CLAVIER MARCHE/ ARRET	ON / OFF KEYBOARD PICTURE
7	45628	LEGENDE CLAVIER STEAMAIR	STEAMAIR KEYBOARD PICTURE
7	45629	LEGENDE CLAVIER EAU CHAUDE	HOT WATER KEYBOARD PICTURE
8	45630	PAVE VERRE	KEYBOARD GLASS
9	NZ7016	JOINT BOITIER BGX	BGX BOX GASKET

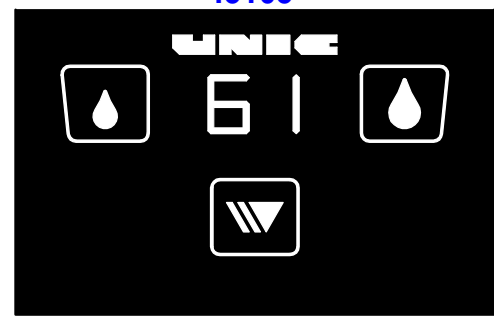


For all BGX boxes models
 6 Pour tous les types de boitiers BGX

45103



45105



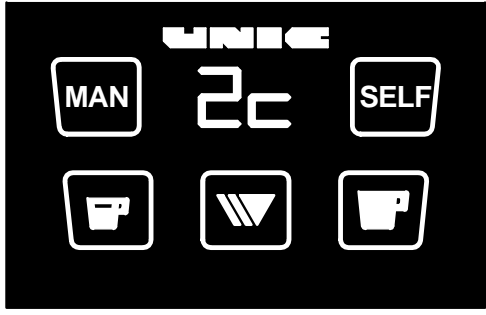
45102



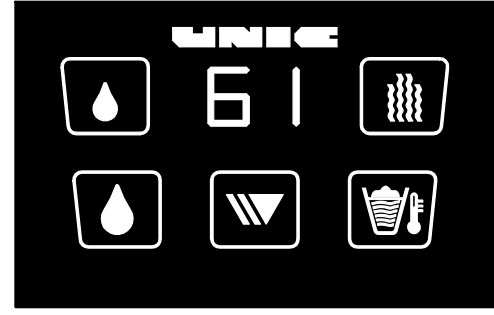
45101



45100



45104



PLANCHE/PLATE : 220

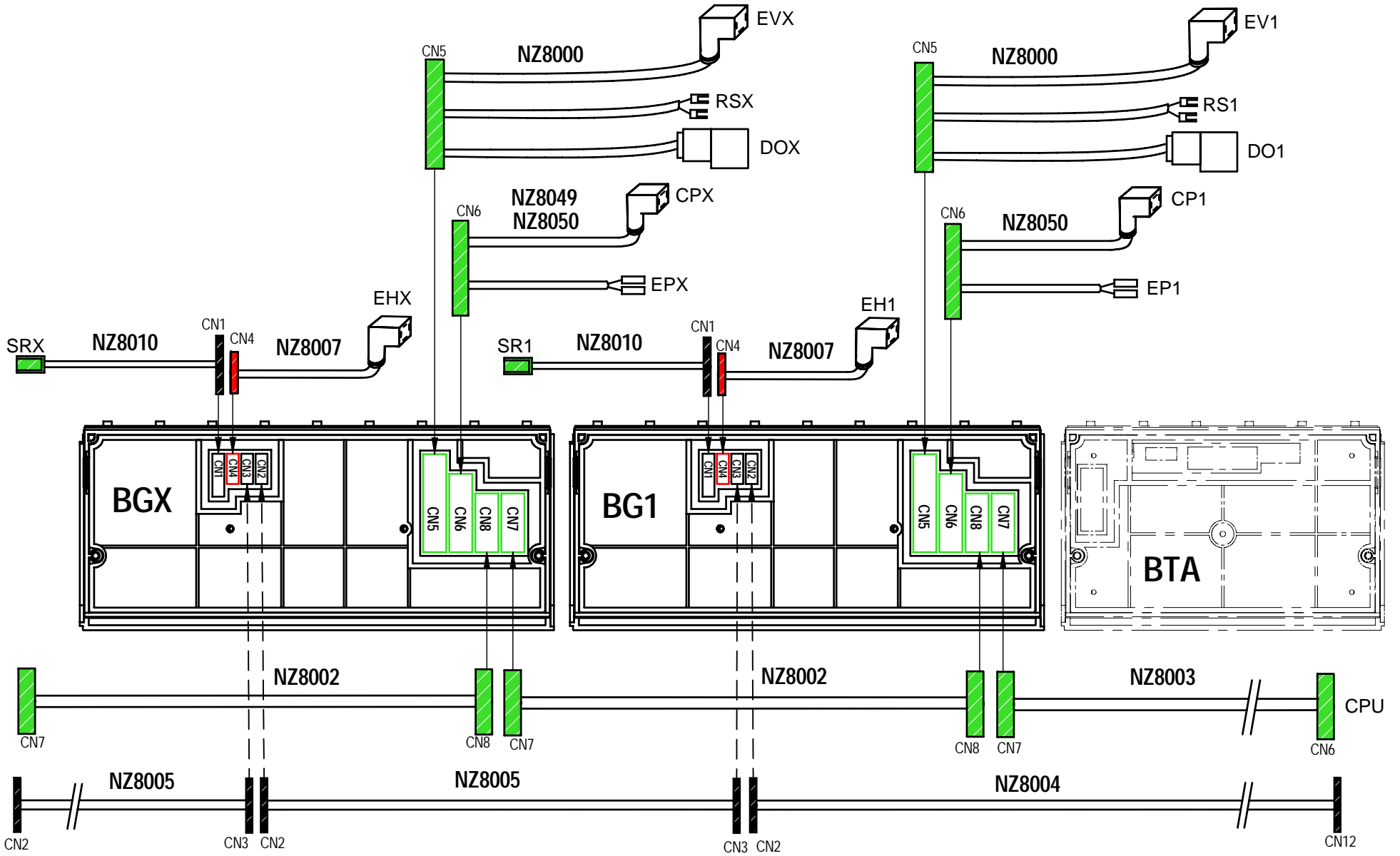
REP	REF	DESIGNATION	DESIGNATION
1	NZ8000	CABLE EV CAFE RS DO GROUPE	COFFEE EV RS DO GROUP CABLE
2	NZ8002	CABLE ALIMENTATION 24V BGX/BGX	24V SUPPLY BGX/BGX CABLE
3	NZ8003	CABLE ALIMENTATION 24V CPU/BGX	24V SUPPLY CPU/BGX CABLE
4	NZ8004	CABLE LIAISON 485 CPU/BGX	LINK 485 CPU/BGX CABLE
5	NZ8005	CABLE LIAISON 485 BGX/BGX	LINK 485 BGX/BGX CABLE
6	NZ8007	CABLE DOSAMAT	DOSAMAT CABLE
7	NZ8010	CABLE SONDE GROUPE	GROUP PROBE CABLE
8	NZ8049	CABLE PRE-INFUSION EVP + CPX	PRE-INFUSION EVP + CPX CABLE
9	NZ8050	CABLE PRE-INFUSION EVP	PRE-INFUSION EVP CABLE

06/2011

CONNECTIONS BOITIER BGX
BGX BOX CONNECTION



220



PLANCHE/PLATE : 230

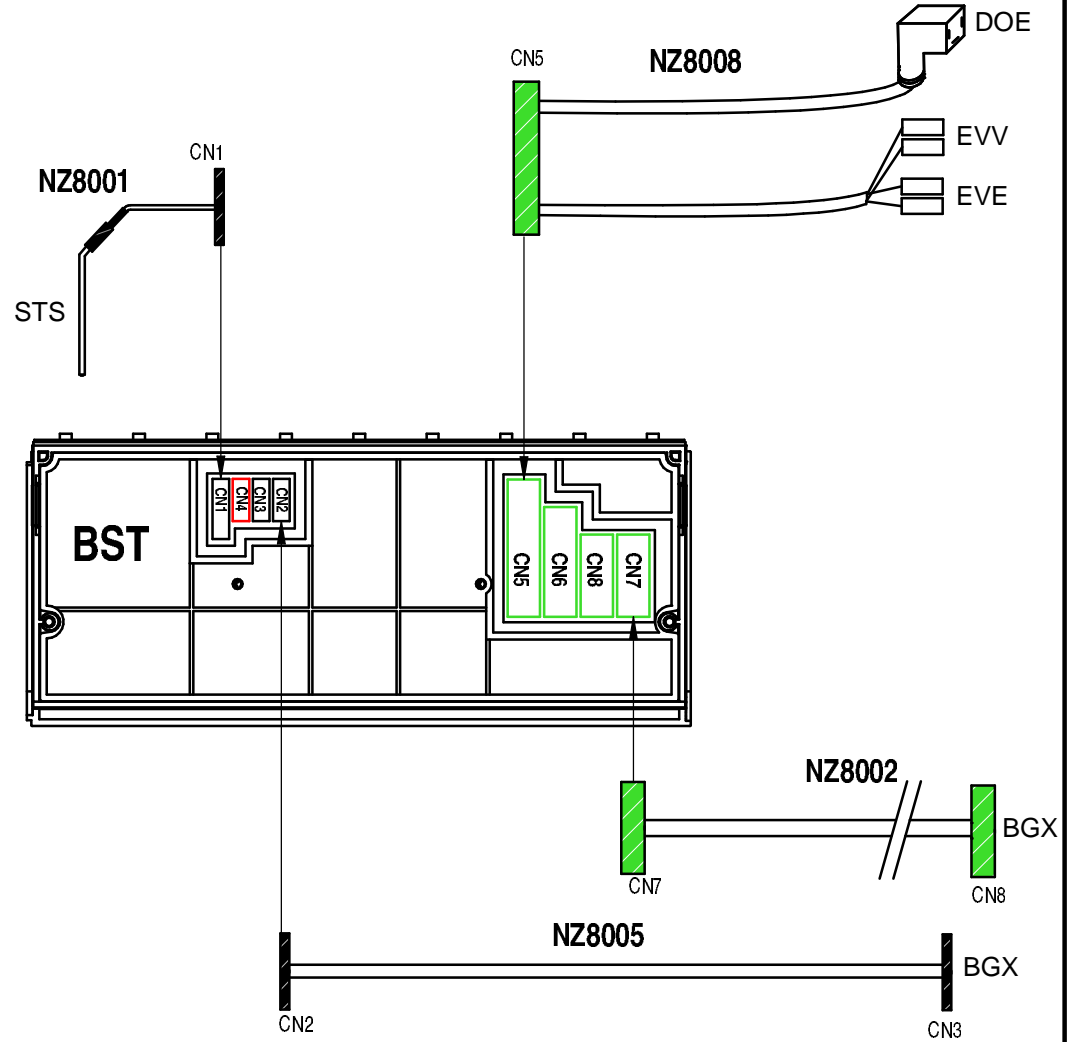
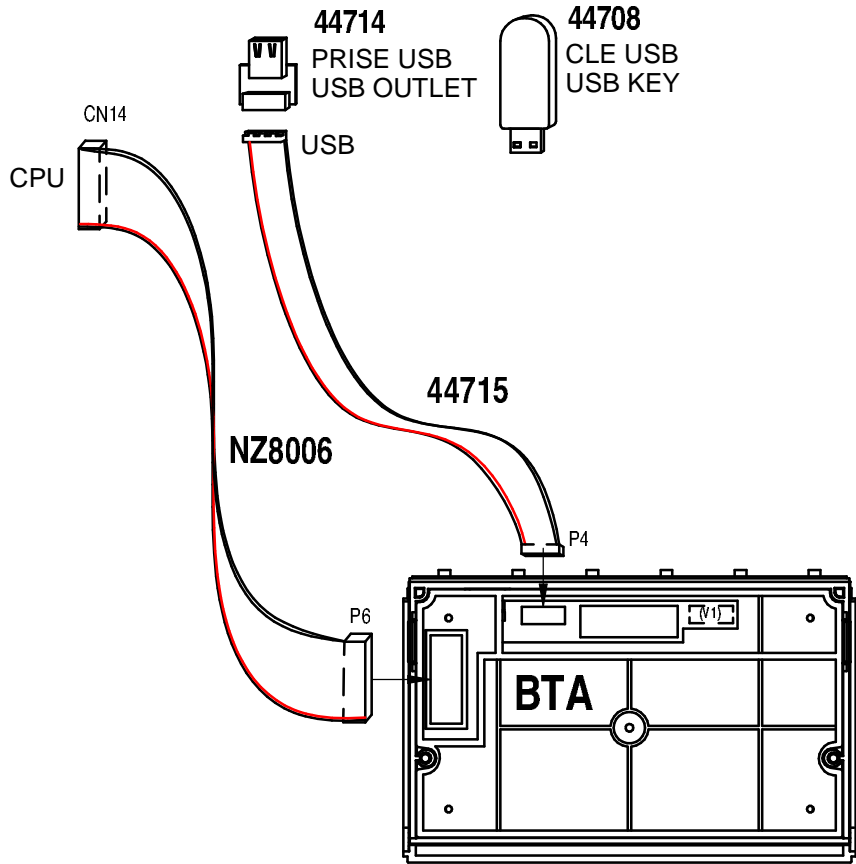
REP	REF	DESIGNATION	DESIGNATION
1	44708	clef USB	USB key
2	44714	PRISE USB	USB JACK
3	44715	CABLE LIAISON USB	USB JACK CABLE
4	NZ8001	SONDE VAPEUR THERMOSTATEE	THERMOSTATED STEAM PROBE
	NZ8015	SONDE VAPEUR THERMOSTATEE V+	V+ THERMOSTATED STEAM PROBE
5	NZ8002	CABLE ALIMENTATION 24V BGX/BGX	24V SUPPLY BGX/BGX CABLE
6	NZ8005	CABLE LIAISON 485 BGX/BGX	LINK 485 BGX/BGX CABLE
7	NZ8006	CABLE LIAISON CPU/BTA	LINK CPU/BTA CABLE
8	NZ8008	CABLE BST	BST CABLE
	NZ8009	CABLE BST VERSION ROBINET	BST TAP VERSION CABLE

06/2011

CONNECTIONS BOITIER BTA & BST
BTA & BST BOX CONNECTION

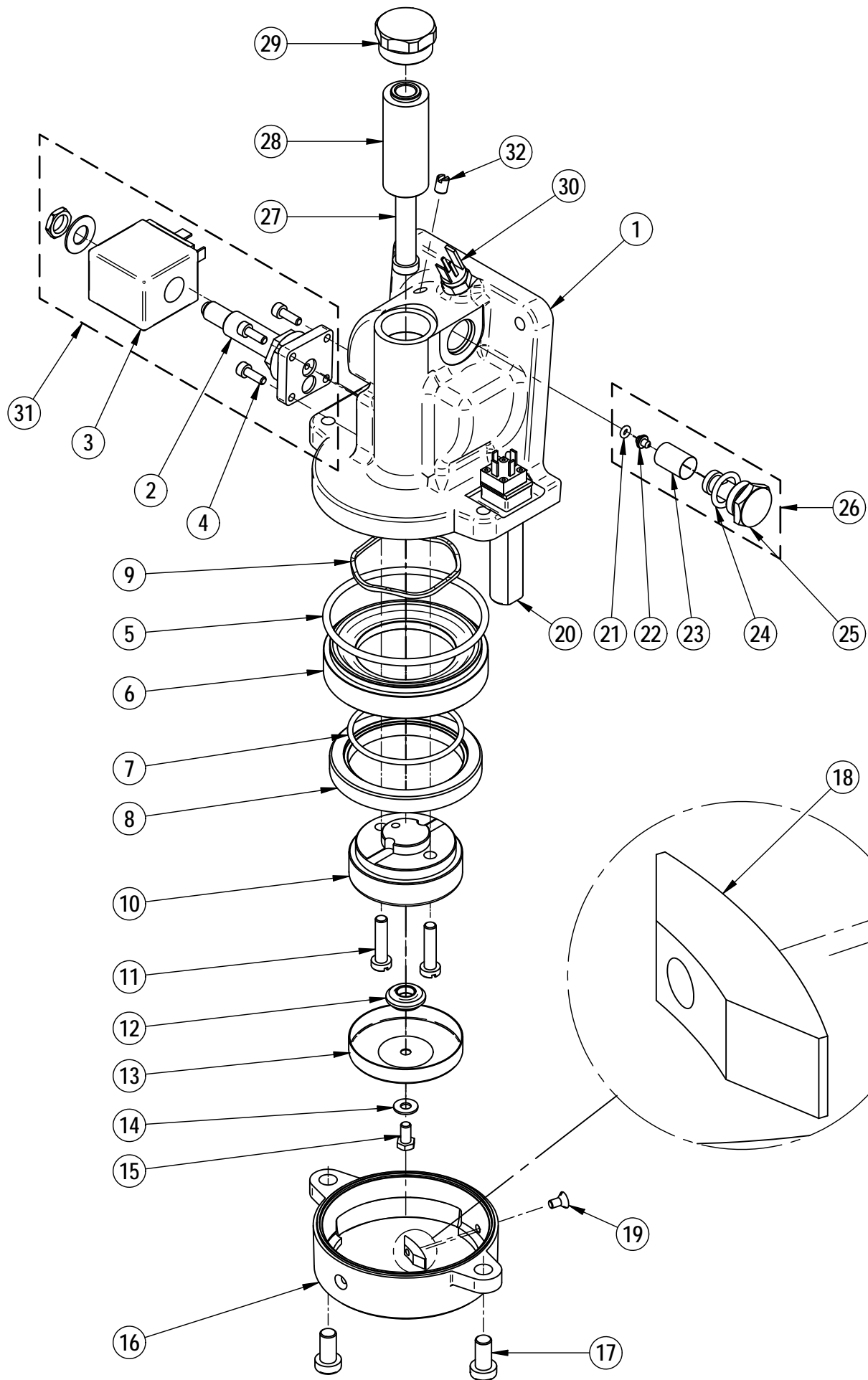
JNICE

230



PLANCHE/PLATE : 240

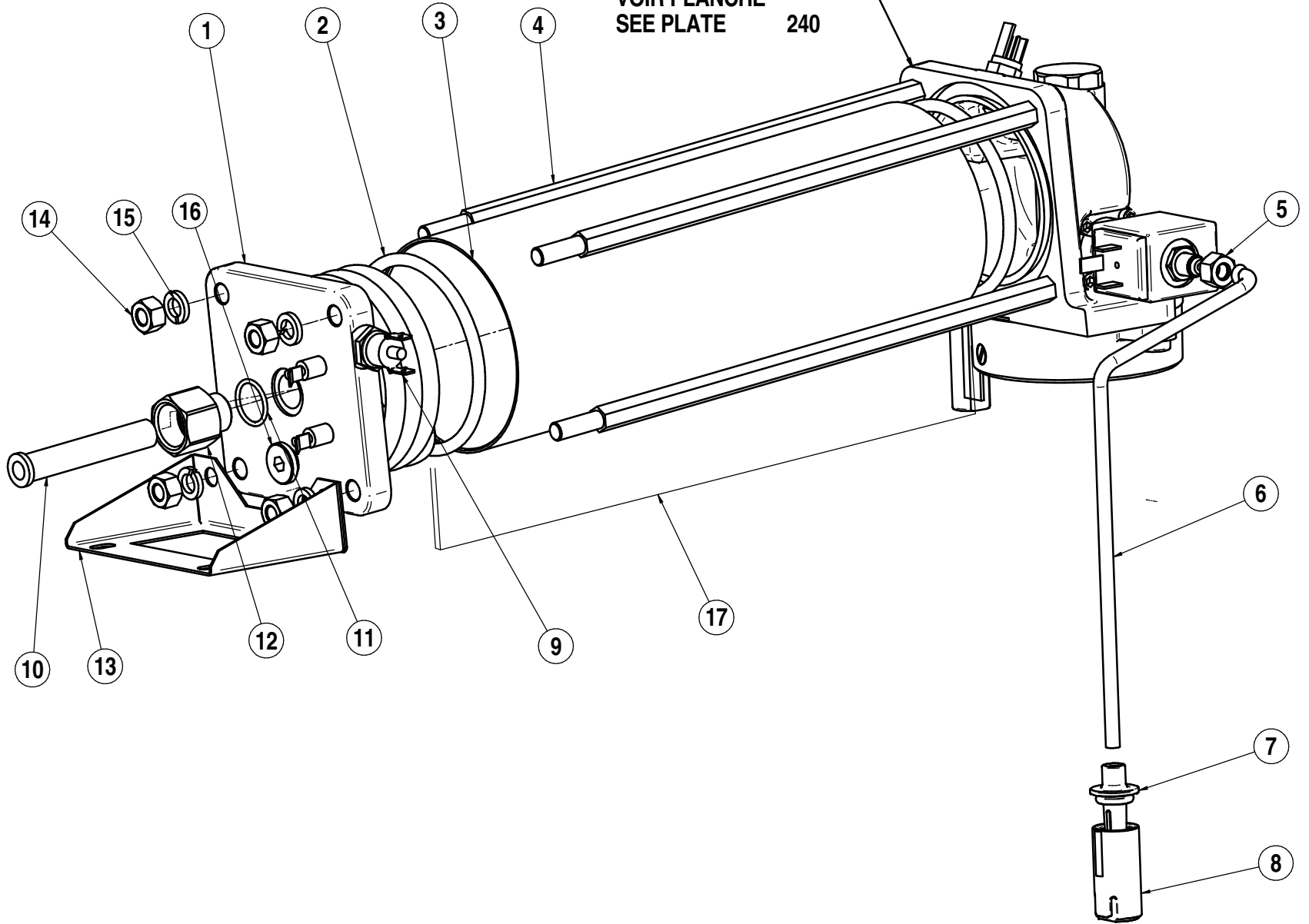
REP	REF	DESIGNATION	DESIGNATION
1	NZ4001	CORPS DE GROUPE	UNIT BODY
1	NZ4001NI	CORPS DE GROUPE NSF	UNIT BODY NSF
2	PI-45X	ELECTROV. 3V SANS BOBINE	ELECTROVALVE 3W WITHOUT COIL
2	35037	EV 3V SANS BOBINE NSF	ELECTROVALVE 3W WITOUT COIL NSF
3	35012	BOBINE 24V	SOLENOID COIL 24V
4	MI-80	VIS TCHC M4x12 INOX	SCREW M4 X 12
5	27718	JOINT PISTON MOBILE 3.53 X 74.61	O RING 3.53 X 74.61
6	NZ4008	PISTON MONOGROUPE	SINGLE GROUP PISTON
6	NZ4008NI	PISTON MONOGROUPE NSF	SINGLE GROUP PISTON NSF
7	27800	JOINT TORIQUE 2.62 X 52.07 NBR	GASKET 2.62 X 52.07
8	PC-17	JOINT DE COUPE 57 x 75 x 9	HEAD GASKET 9mm
9	28828	RESSORT D6	SPRING D6
10	NZ4007	TASSOIR MONOGROUPE	SINGLE GROUP COMPACTOR
10	NZ4007NI	TASSOIR MONOGROUPE NSF	SINGLE GROUP COMPACTOR NSF
11	50304	VIS TC M6X25 INOX	S.STEEL SCREW M6X25
12	31910	RONDELLE DIFFUSEUR GROUPE	WASHER DIFFUSER
12	31910NI	RONDELLE DIFFUSEUR GROUPE NSF	WASHER DIFFUSER NSF
13	ID-103	FILTRE TASSOIR	PACKER FILTER
14	51600	RONDELLE INOX MOYENNE DE 5	WASHER
15	50204	VIS TH M5 x 10 INOX	SCREW M5 X 10
16	NZ4011	PORTE COUPE BUTEE	BOWL HOLDER
17	50401	VIS TCHC TETE BASSE M8X16 INOX	S.STEEL SCREW M8 X 16
18	NZ4012	BUTEE DE COUPE	FILTER HOLDER STOP
19	CN-128	VIS INOX TF M4 X 8	SCREW M4 X 8
20	44720	CAPTEUR DE COUPE COMPLET	FILTER HOLDER SENSOR KIT
21	TC-80	JOINT TORIQUE 1,78X2,90 FKM	GASKET 1.78X2.90 FKM
22	23117	GICLEUR DIAM:0,7	JET DIAM. 0.7
23	CF-326	FILTRE INOX D.int=12 H=17,5	FILTER D:12 H:17,5
24	PH-54	JOINT TORIQUE 2,62X13,95 EPDM	O RING - 13.95 x 2.62
25	23100	PORTE GICLEUR	GICLUER HOLDER
25	23100NI	PORTE GICLEUR NSF	GICLUER HOLDER NSF
26	23127	KIT PORTE GICLEUR Ø0.7	GICLUER Ø 0.7 KIT
27	NZ4016	VIS POUMON GR STELLA	CHAMBER SCREW
27	NZ4017	VIS POUMON LONGUE	LONG CHAMBER SCREW
28	NZ4010	ENTRETOISE POUMON	CHAMBER SPACER
28	NZ4027	ENTRETOISE POUMON LONGUE	LONG CHAMBER SPACER
29	NZ4009	BOUCHON GROUPE	UNIT CAP
30	34410	SONDE THERMOSTATIQUE	THERMOSTATIC PROBE
31	PI-45R	ELECTROVANNE 3V. 24V 50/60Hz	WHOLE ELECTROVALVE 24V 50/60Hz
31	35036	ELECTROVANNE 3V 24V NSF	ELECTROVALVE 3W 24V NSF
32	PH-47	VIS ST M6x8 LAITON	SCREW M6 X 8



PLANCHE/PLATE : 250

REP	REF	DESIGNATION	DESIGNATION
1	29805	ELEMENT CHAUFFANT 230V 2000W	HEATING ELEMENT 230V-2000W
	29805NI	ELEMENT CHAUFFANT 230V 2000W NSF	HEATING ELEMENT 230V-2000W NSF
2	28000	JOINT TORIQUE 5,34X78,74	O RING 5,34X78,74
3	29040	TUBE CHAUDIERE Ø95	BOILER TUBE Ø95
4	NZ4003	COLONNETTE CHAUDIERE	BOILER SCREW
5	24455	ECROU 1/8	NUT 1/8
6	NZ6000	TUBE DECOMPRESSION	DECOMPRESSION PIPE
	NZ6001	TUBE DECOMPRESSION V+	DECOMPRESSION V+ PIPE
7	DV7040	EMBOUT DE DECOMPRESSION	DECOMPRESSION TIP
8	DV7041	CORPS EMBOUT DE DECOMPRESSION	DECOMPRESSION TIP HOUSING
9	34200	THERMOSTAT DE SECURITE 135°C	SAFETY THERMOSTAT 135°C
10	DV4000	TUBE TEFLON ALIM. GROUPE L:72	UNIT FEEDING TUBE
11	27716	JOINT TORIQUE 1,78 X 17.17 FKM	GASKET 1,78 X 17.17
12	20964	RACCORD 3/8M 1/2F	CONNECTION 3/8M 1/2F
	20964NI	RACCORD 3/8M 1/2F NSF	CONNECTION 3/8M 1/2F NSF
13	NZ2000	SUPPORT AR CHAUDIERE	BOILER SUPPORT
14	PE-12	ECROU M8	NUT M8
15	RR-83	RONDELLE GROVER DE 8	WASHER 8
16	21103	BOUCHON 1/4	PLUG 1/4
17	85205	ISOLANT CHAUDIERE	BOILER INSULATOR

VOIR PLANCHE
SEE PLATE 240



05/2012

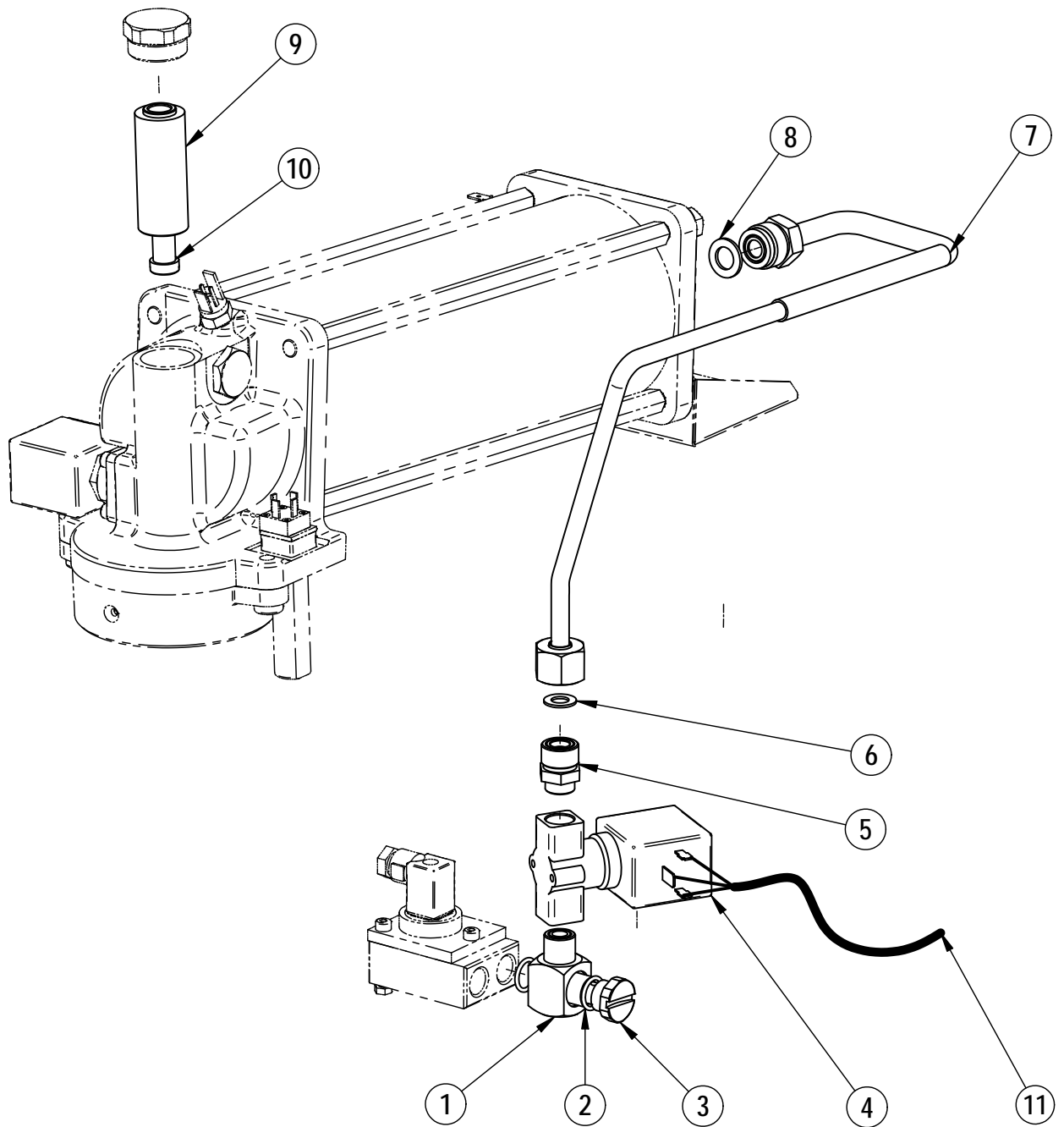
CHAUDIERE GROUPE
GROUP BOILER

JNICE

250

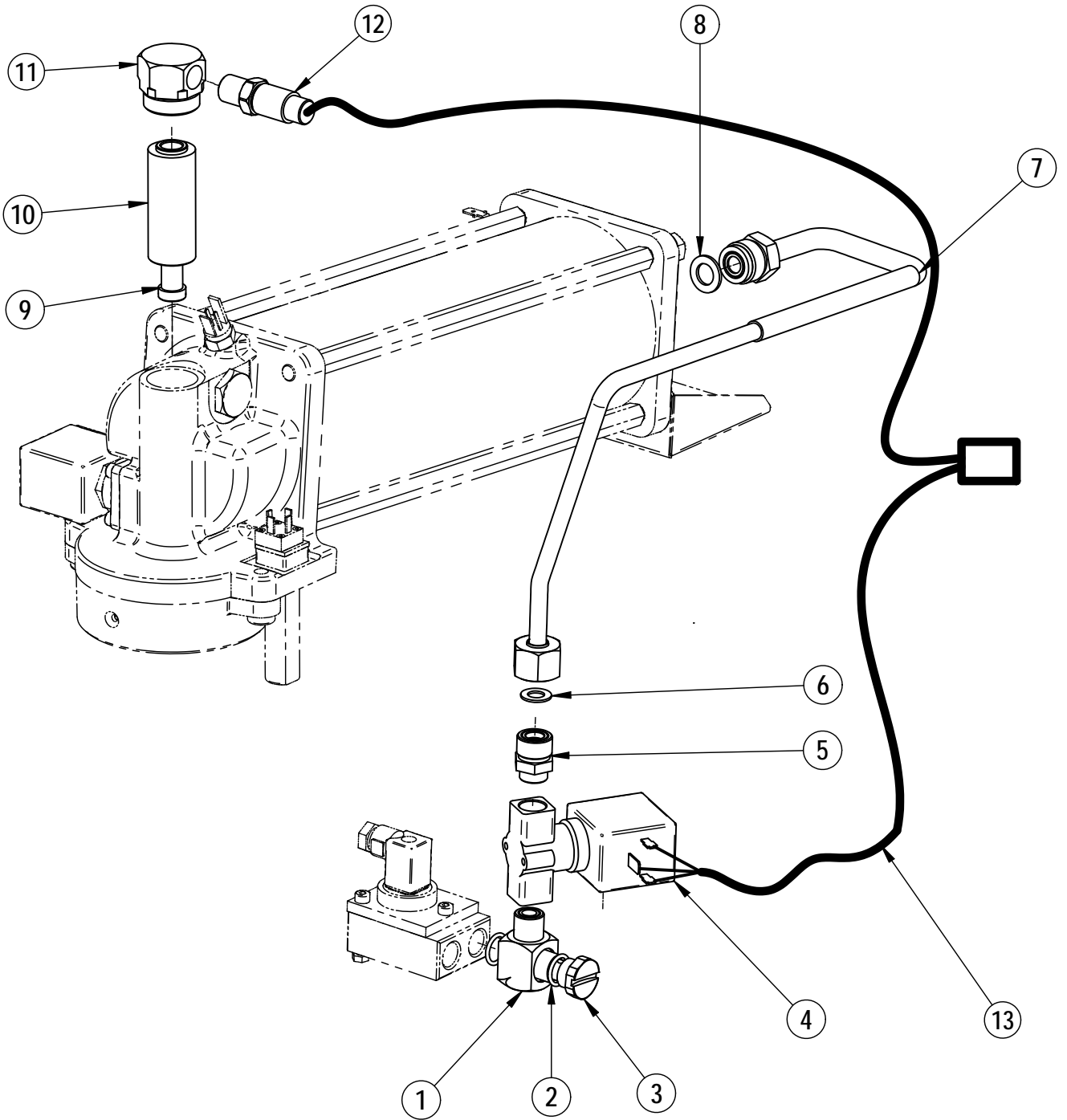
PLANCHE/PLATE : 251

REP	REF	DESIGNATION	DESIGNATION
1	23761	CORPS DE BANJO 1/4	BANJO BODY 1/4
	23761NI	CORPS DE BANJO 1/4 NSF	BANJO BODY 1/4 NSF
2	PA-96	JOINT TORIQUE 1,78X12,42 EPDM	GASKET 1.78 X 12.42
3	23760	AXE BANJO 1/4	BANJO SCREW 1/4
	23760NI	AXE BANJO 1/4 NSF	BANJO SCREW 1/4 NSF
4	35532	ELECTROVANNE 2V 24V N.O Ø2	ELECTROVALVE 2W 24V OPEN
	35533	ELECTROVANNE 2V 24V N.O Ø2 NSF	ELECTROVALVE 2W 24V OPEN NSF
5	CN-441A	RACCORD 1/4M-3/8M	CONNECTION 1/4-3/8
	CN-441ANI	RACCORD 1/4M-3/8M NSF	CONNECTION 1/4-3/8 NSF
6	CH-16	JOINT CUIVRE RECUIT 3/8	WASHER - COPPER - 3/8
7	NZ6018	TUBE ALIM. GROUPE PRE INFUSION	PRE BREWING UNIT FEEDING PIPE
	NZ6018NI	TUBE ALIM. GROUPE PRE INFUSION NSF	PRE BREWING UNIT FEEDING PIPE NSF
8	CH-17	JOINT CUIVRE RECUIT 1/2	WASHER - COPPER - 1/2
9	NZ4010	ENTRETOISE POU MON	CHAMBER SPACER
10	NZ4016	VIS POU MON GR STELLA	CHAMBER SCREW
11	NZ8050	CABLE PRE-INFUSION EVP	PRE-INFUSION EVP CABLE



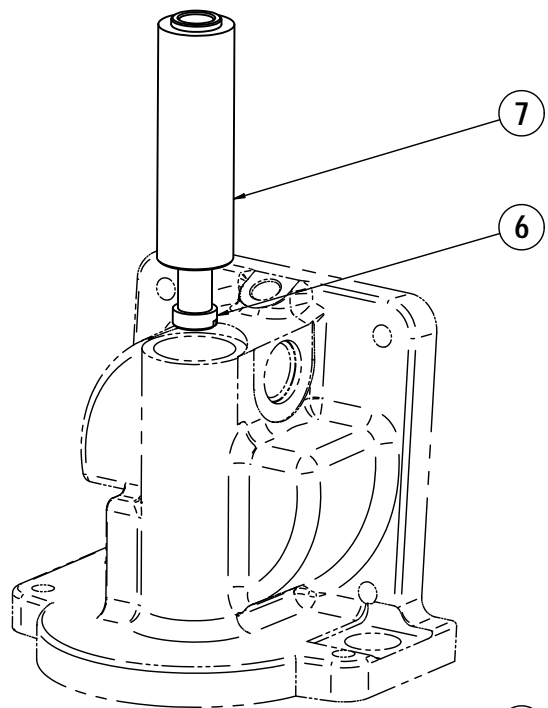
PLANCHE/PLATE : 252

REP	REF	DESIGNATION	DESIGNATION
1	23761	CORPS DE BANJO 1/4	BANJO BODY 1/4
1	23761NI	CORPS DE BANJO 1/4 NSF	BANJO BODY 1/4 NSF
2	PA-96	JOINT TORIQUE 1,78X12,42 EPDM	GASKET 1.78 X 12.42
3	23760	AXE BANJO 1/4	BANJO SCREW 1/4
3	23760NI	AXE BANJO 1/4 NSF	BANJO SCREW 1/4 NSF
4	35532	ELECTROVANNE 2V 24V N.O Ø2	ELECTROVALVE 2W 24V OPEN
4	35533	ELECTROVANNE 2V 24V N.O Ø2 NSF	ELECTROVALVE 2W 24V OPEN NSF
5	CN-441A	RACCORD 1/4M-3/8M	CONNECTION 1/4-3/8
5	CN-441ANI	RACCORD 1/4M-3/8M NSF	CONNECTION 1/4-3/8 NSF
6	CH-16	JOINT CUIVRE RECUIT 3/8	WASHER - COPPER - 3/8
7	NZ6018	TUBE ALIM. GROUPE PRE INFUSION	PRE BREWING UNIT FEEDING PIPE
7	NZ6018NI	TUBE ALIM. GROUPE PRE INFUSION NSF	PRE BREWING UNIT FEEDING PIPE NSF
8	CH-17	JOINT CUIVRE RECUIT 1/2	WASHER - COPPER - 1/2
9	NZ4027	ENTRETOISE POUMON LONGUE	LONG CHAMBER SPACER
10	NZ4017	VIS POUMON LONGUE	LONG CHAMBER SCREW
11	NZ4015	BOUCHON GROUPE CAPTEUR	SENSOR UNIT CAP
11	NZ4015NI	BOUCHON GROUPE CAPTEUR NSF	SENSOR UNIT CAP NSF
12	36510	CAPTEUR DE PRESSION 0-16b	0-16b PRESSURE SENSOR
13	NZ8049	CABLE PRE-INFUSION EVP + CPX	PRE-INFUSION EVP + CPX CABLE

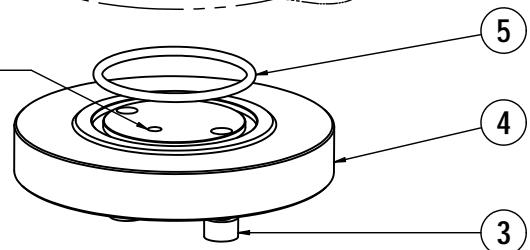


PLANCHE/PLATE : 255

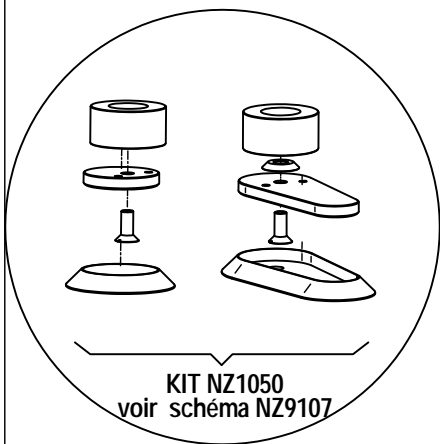
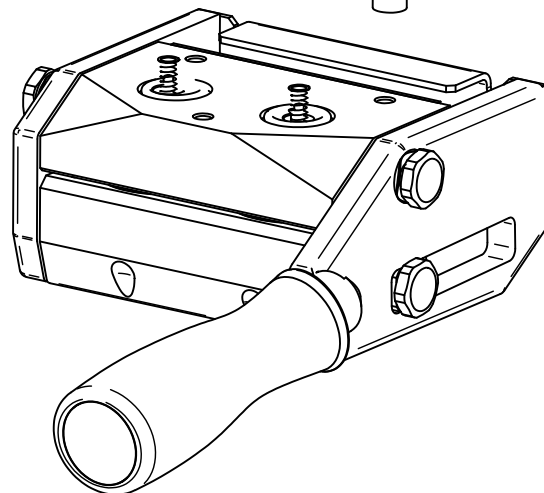
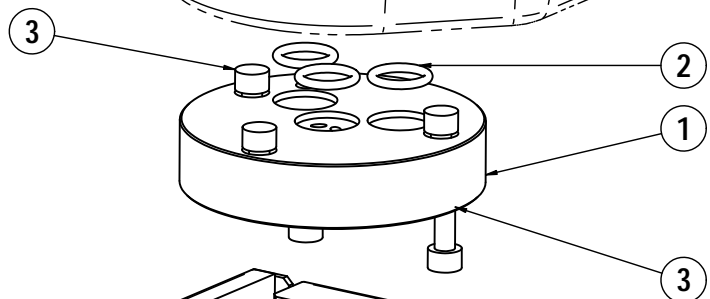
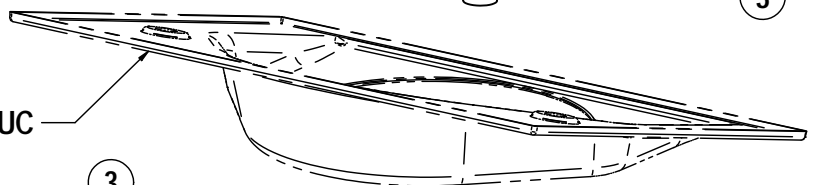
REP	REF	DESIGNATION	DESIGNATION
1	CS4043	INTERFACE INFERIEURE	LOWER INTERFACE
	CS4043NI	INTERFACE INFERIEURE NSF	LOWER INTERFACE NSF
2	PH-54	JOINT TORIQUE 2,62X13,95 EPDM	O RING - 13.95 x 2.62
3	N-33	VIS CHC M6X20 INOX	S.S. SCREW M6X20
4	CS4042	INTERFACE SUPERIEURE	UPPER INTERFACE
	CS4042NI	INTERFACE SUPERIEURE NSF	UPPER INTERFACE NSF
5	27824	JOINT TORIQUE 2.62 X 42.52	O-RING 2.62 X 42.52
6	NZ4017	VIS POU MON LONGUE	LONG CHAMBER SCREW
7	NZ4027	ENTRETOISE POU MON LONGUE	LONG CHAMBER SPACER



Ø4 DEVANT / IN FRONT



SANS LE JOINT CAOUTCHOUC
WITHOUT RUBBER RING

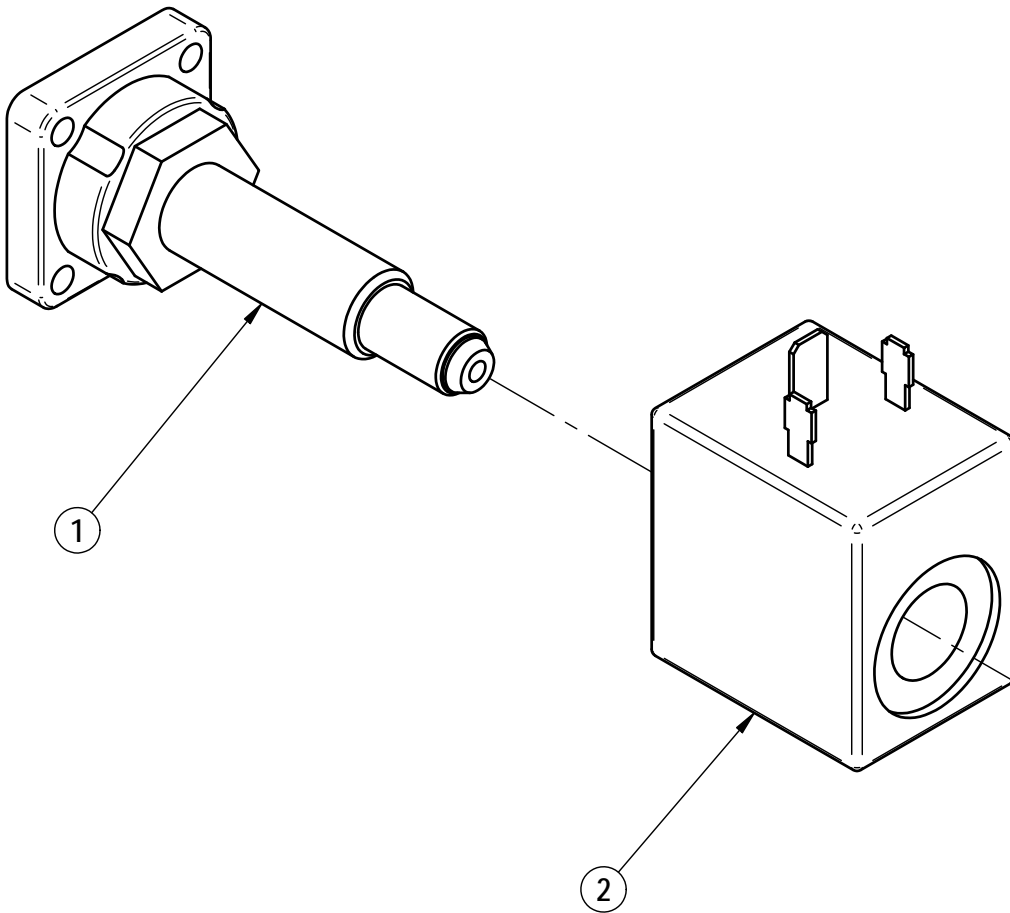
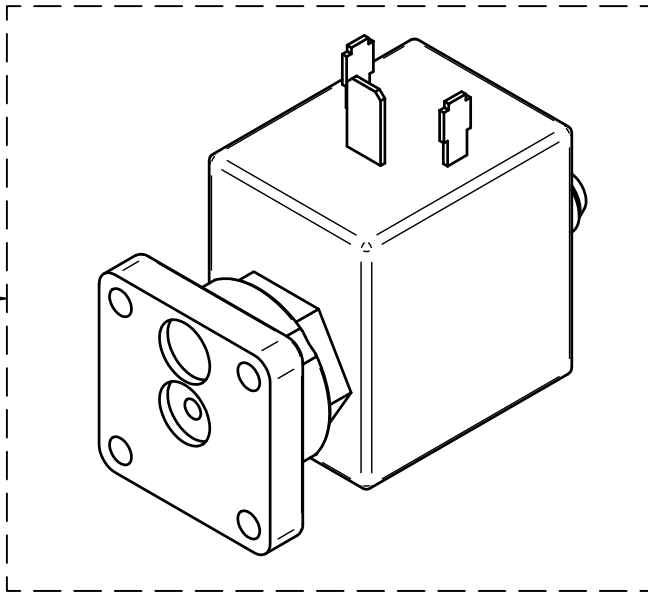


NOTA:
PIEDS HAUTS OU KIT NZ1050 ANTI-BASCULEMENT OBLIGATOIRES
LONG FEET OR ANTI-SHIFT KIT NZ1050 MANDATORY

PLANCHE/PLATE : 260

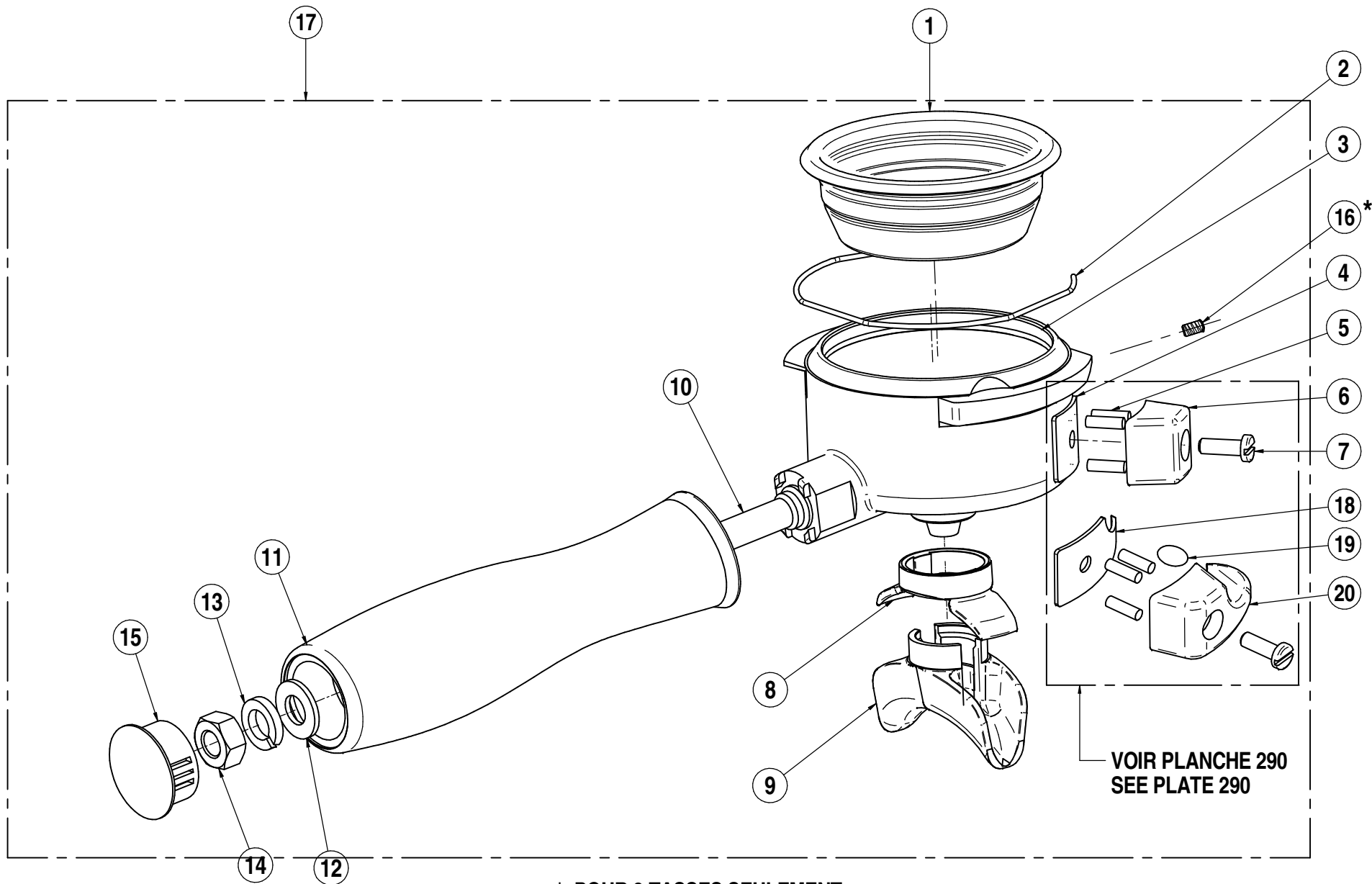
REP	REF	DESIGNATION	DESIGNATION
1	PI-45X	ELECTROV. 3V SANS BOBINE	ELECTROVALVE 3W WITHOUT COIL
1	35037	ELECTROVANNE 3V SANS BOBINE NSF	ELECTROVALVE 3W WITHOUT COIL NSF
2	35012	BOBINE 24V	SOLENOID COIL 24V
3	PI-45R	ELECTROVANNE 3V. 24V 50/60Hz	WHOLE ELECTROVALVE 24V 50/60Hz
3	35036	ELECTROVANNE 3V 24V NSF	ELECTROVALVE 3W 24V NSF

3



PLANCHE/PLATE : 280

REP	REF	DESIGNATION	DESIGNATION
1	33420	FILTRE 1 TASSE	1 CUP FILTER
1	33424	FILTRE 2 TASSES PENTAGONAL	2 CUPS FILTER
1	PA-38	FILTRE TROIS TASSES	3 CUP FILTER
2	PA-85A	RESSORT DE COUPE DIAM:1.3	FILTER SPRING DIAM:1.3
3	33102	COUPE NUE	FILTER HOLDER BODY
3	33103	COUPE NUE POUR CAPTEUR	FILTER HOLDER BODY WITH SENSOR
4	DO-95	JOINT PORTE-AIMANTS	MAGNET HOLDER JOINT
5	DO-54	AIMANT DIAM 3 L:10mm	MAGNET DIA:3 L:10mm
6	DO-2	PORTE AIMANT	MAGNET HOLDER
7	DO-195	VIS ACIER INOX TC 4 X 12	SCREW M4 X 12
8	33384	OBTURATEUR BEC 1T	1 CUP OBTURATOR
8	33385	OBTURATEUR BEC 2T	2 CUPS OBTURATOR
9	33381	BEC 1 T CHROME	1 CUP SPOUT
9	33382	BEC 2T CHROME	2 CUPS SPOUT
9	PH-34	BEC 3 TASSES CHROME	3 CUP SPOUT
10	33147	AXE POIGNEE DE COUPE	AXLE FOR HANDLE
11	33146	POIGNEE DE COUPE	HANDLE
12	C-16	RONDELLE ACIER NICKELE M8	WASHER 8
13	RR-83	RONDELLE GROVER DE 8	WASHER 8
14	PE-12	ECROU M8	NUT M8
15	33106	BOUCHON POIGNEE DE COUPE	TAP FOR HANDLE
16	CN-599	VIS STHC M3X5	SCREW STHC M3X5
17	33161	COUPE COMPLETE 1T AVEC CAPTEUR	1 CUP FILT. HOLDER WITH SENSOR
17	33162	COUPE COMPLETE 2T AVEC CAPTEUR	2 CUP FILT. HOLDER WITH SENSOR
17	33163	COUPE COMPLETE 3T AVEC CAPTEUR	3 CUP FILT. HOLDER WITH SENSOR
17	33171	COUPE COMPLETE 1T AVEC RFID	1 CUP FILT. HOLDER WITH RFID
17	33172	COUPE COMPLETE 2T AVEC RFID	2 CUP FILT. HOLDER WITH RFID
17	33173	COUPE COMPLETE 3T AVEC RFID	3 CUP FILT. HOLDER WITH RFID
17	33181	COUPE COMPLETE 1T	1 CUP FILTER HOLDER
17	33182	COUPE COMPLETE 2T	2 CUPS FILTER HOLDER
17	33183	COUPE COMPLETE 3T	3 CUPS FILTER HOLDER
18	33016	JOINT POUR SUPPORT AIMANTS RFID	GASKET
19	33017	CHIP RFID 1 TASSE	1 CUP CHIP RFID
19	33018	CHIP RFID 2 TASSES	2 CUPS CHIP RFID
19	33019	CHIP RFID 3 TASSES	3 CUPS CHIP RFID
20	33015	SUPPORT AIMANTS RFID	MAGNET HOLDER RFID

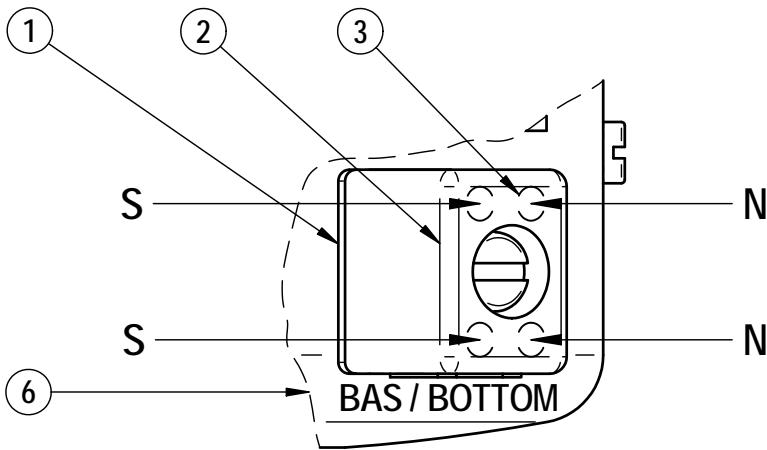


*: POUR 3 TASSES SEULEMENT
FOR 3 CUPS ONLY

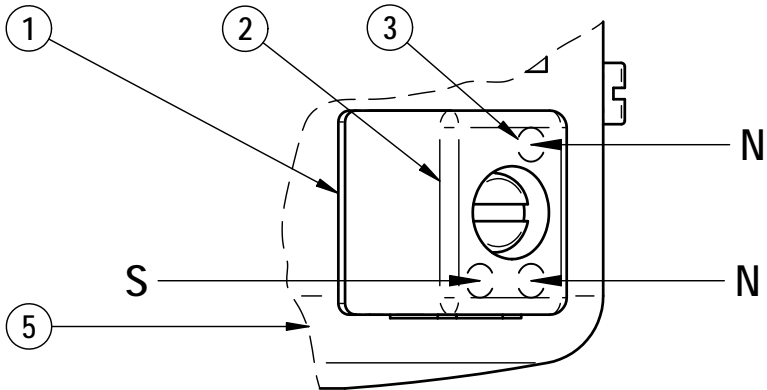
PLANCHE/PLATE : 290

REP	REF	DESIGNATION	DESIGNATION
1	DO-95	JOINT PORTE-AIMANTS	MAGNET HOLDER JOINT
2	DO-2	PORTE AIMANT	MAGNET HOLDER
3	DO-54	AIMANT DIAM 3 L:10mm	MAGNET DIA:3 L:10mm
4	33041	PORTE AIMANT 1 T COMPLET	1 CUP MAGNET HOLDER
4	33007	KIT PORTE AIMANT RFID 1T	1 CUP KIT RFID MAGNET HOLDER
5	33042	PORTE AIMANT 2 T COMPLET	2 CUPS MAGNET HOLDER
5	33008	KIT PORTE AIMANT RFID 2T	2 CUP KIT RFID MAGNET HOLDER
6	33043	PORTE AIMANT 3 T COMPLET	3 CUPS MAGNET HOLDER
6	33009	KIT PORTE AIMANT RFID 3T	3 CUP KIT RFID MAGNET HOLDER

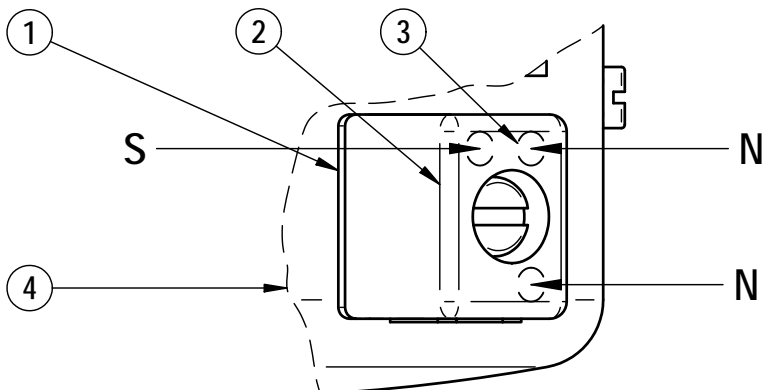
N = NORD / NORTH
S = SUD / SOUTH



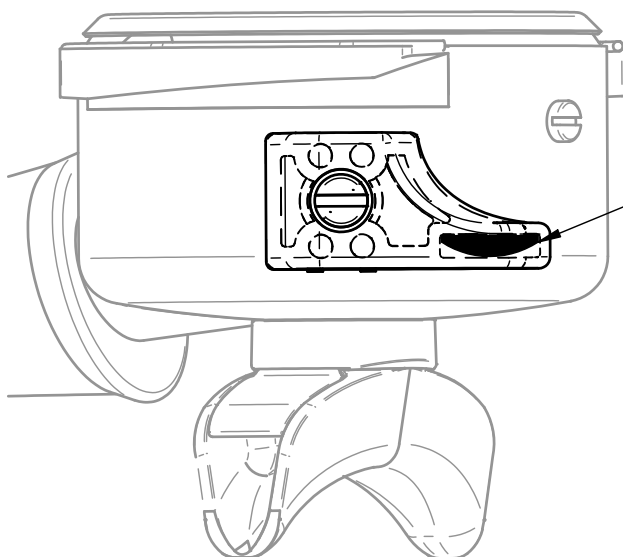
3 TASSES
3 CUPS



2 TASSES
2 CUPS



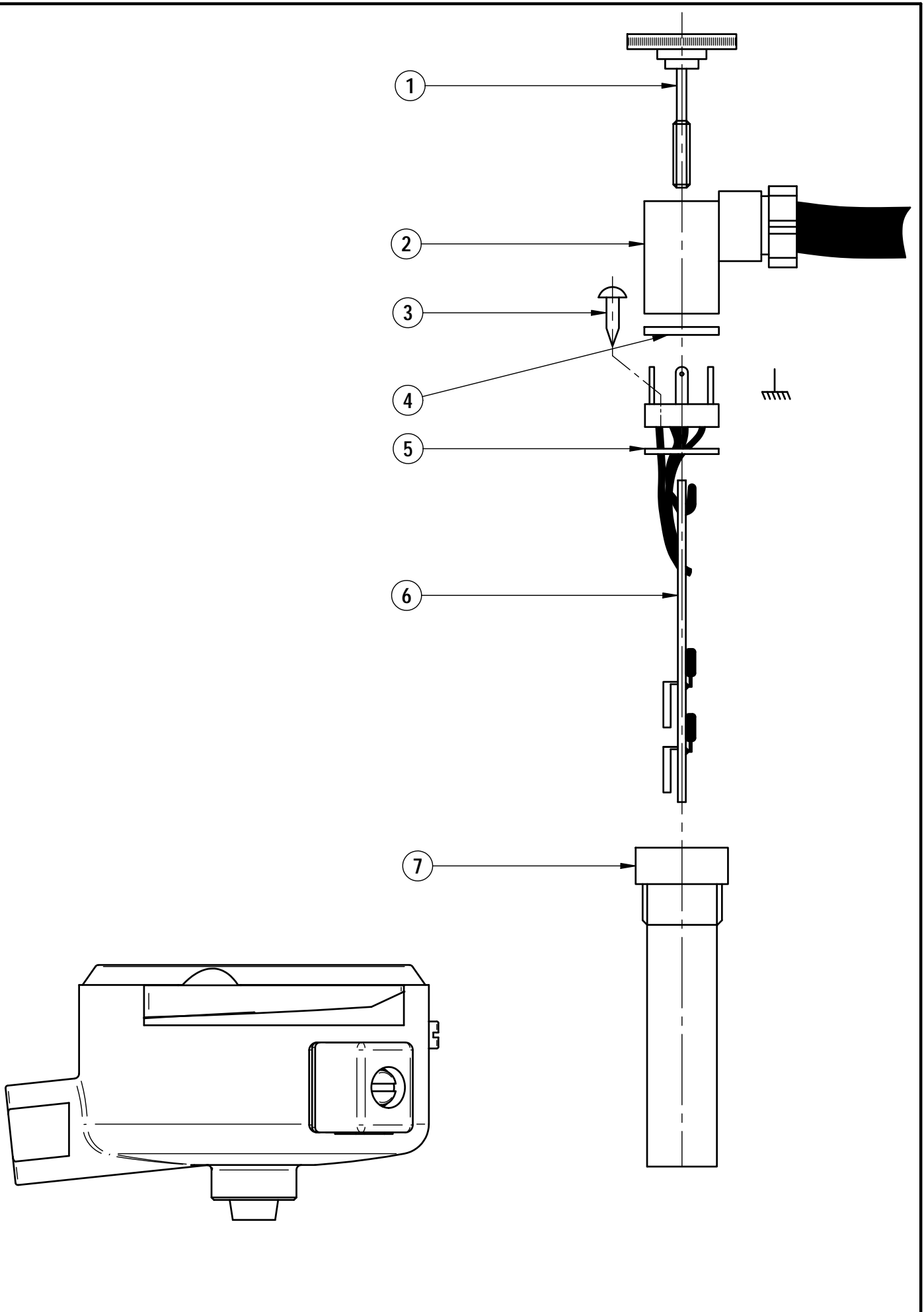
1 TASSE
1 CUP



La puce RFiD doit se monter
avec le coté bombé vers le bas.
*Position of the RFiD-tag,
with the round to the bottom.*

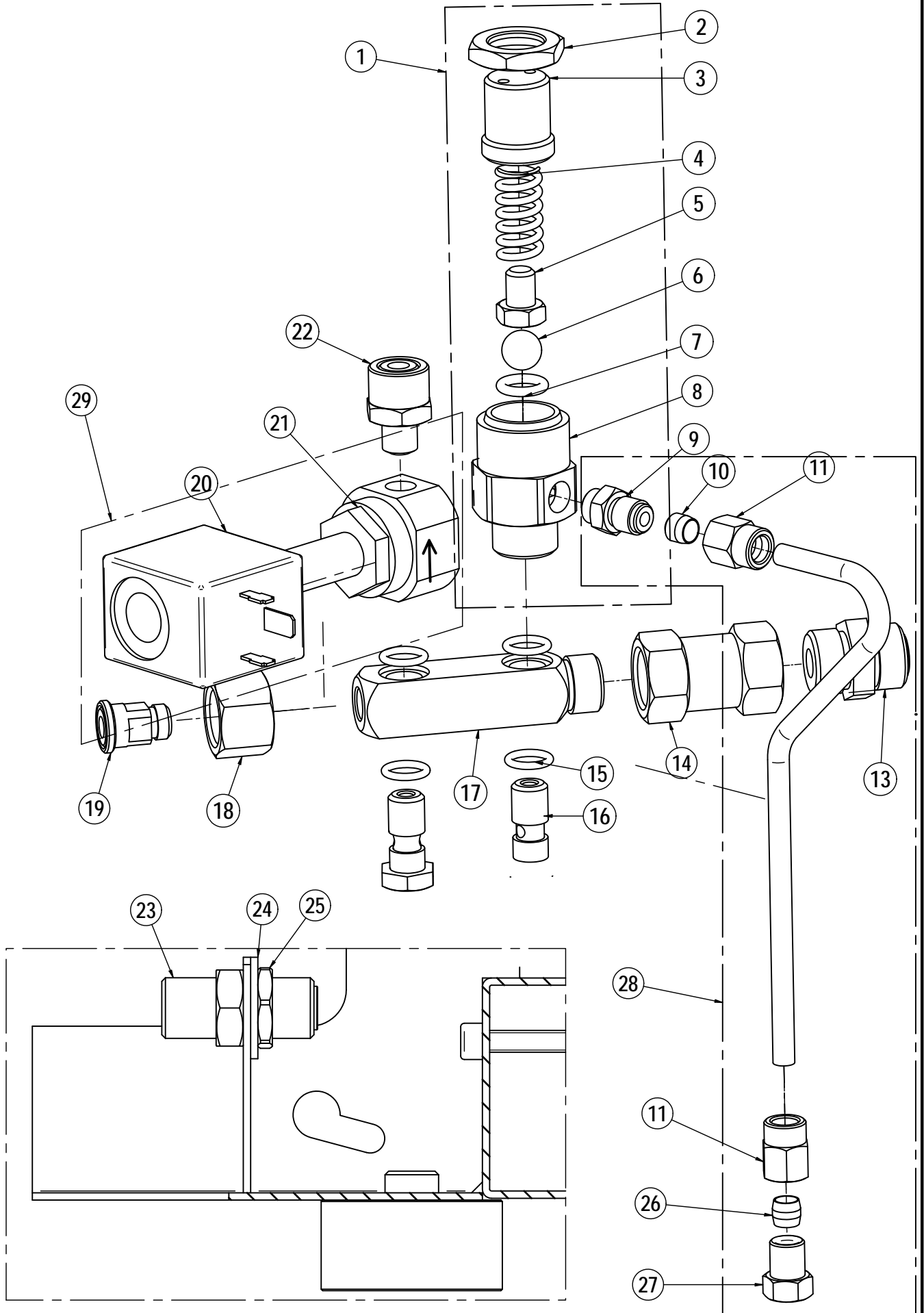
PLANCHE/PLATE : 295

REP	REF	DESIGNATION	DESIGNATION
1	SD-3	VIS MOLETEE	CONNECTOR SCREW
2	DO-64	CONNECTEUR POUR CAPTEUR COUPE	SENSOR CONNECTOR
3	DO-18	VIS ACIER ZN PT WN 22 X 10	SENSOR-HOLDER SCREW
4	DO-113	JOINT CONNECTEUR	GASKET CONNECTOR
5	DO-3	JOINT 18/18 X 1,5	GASKET 18/18X 1.5
6	DO-52	CAPTEUR ELECTRONIQUE DE COUPE	SENSOR
7	DO-1	PORTE CAPTEUR DE GROUPE	SENSOR HOLDER



PLANCHE/PLATE : 300

REP	REF	DESIGNATION	DESIGNATION
1	DO-191	SOUPAPE H.P. COMPLETE	COMPLET H.P. VALVE
1	DO-191NI	SOUPAPE H.P. COMPLETE NSF	COMPLET H.P. VALVE NSF
2	DO-190	CONTRE ECROU M18 X 100	NUT M18 X 100
3	DO-189	ECROU DE SOUPAPE	VALVE NUT
4	RO-14	RESSORT F20/10L26.5 D13 P5	SPRING
5	DO-188	TIGE DE SOUPAPE	VALVE PISTON
6	PC-14	BILLE INOX POLIE DE 11	STAINLESS STEEL BALL DIA 11
7	PH-83	JOINT TORIQUE 2,62X9,19 PTFE	O RING 9,19 X 2,62 PTFE
8	DO-187	CORPS DE SOUPAPE	VALVE BODY
8	DO-187NI	CORPS DE SOUPAPE NSF	VALVE BODY NSF
9	MI-36	RACCORD 1/8M 1/8M	CONNECTION 1/8
9	MI-36NI	RACCORD 1/8M 1/8M NSF	CONNECTION 1/8 NSF
10	MI-35	BAGUE DE SERRAGE LAITON	NIPPLE
11	MI-34	ECROU LAITON 1/8"	COMPRESSION NUT - 1/8
JUSQU'À / UNTIL 05/2012			
13	CN-347A	RACCORD D'ALIM. 3/8 - 3/8 MM	FITTING - 3/8 X 3/8 -
13	CN-347ANI	RACCORD D'ALIM. 3/8 - 3/8 MM NSF	FITTING - 3/8 X 3/8 - NSF
14	CN-663	CLAPET ANTI RETOUR COMPACT	VALVE - NON-RETURN
15	28104	JOINT TORIQUE 2X9,5 FKM 80SH	GASKET 2X9,5
16	23751	AXE DE BANJO 1/8	BANJO SCREW
17	NZ4018	RACCORD NOURRICE	LEADER FITTING
17	NZ4018NI	RACCORD NOURRICE NSF	LEADER FITTING NSF
18	PB-21	ECROU 3/8 LAITON	FITTING 3/8
19	DO-74	RACCORD SOUPAPE HP	H.P VALVE CONNECTION
20	35012	BOBINE 24V	SOLENOID COIL 24V
21	CN631-W	ELECTROVANNE 2V REG 24V50-60HZ	ELECTROVALVE 2W ADJ. 24V50-60HZ
22	R-100	RACCORD LAITON	CONNECTION
22	R-100NI	RACCORD LAITON NSF	CONNECTION NSF
23	20951	RACCORD 3/8M-3/8M	FITTING 3/8M-3/8M
23	20951NI	RACCORD 3/8M-3/8M NSF	FITTING 3/8M-3/8M NSF
24	CN-544	RONDELLE ACIER ZN 17 x 28 x 2	WASHER
25	NA-18	ECROU LAITON 3/8 6 mm	3/8 NUT
26	21400	ECROU M8 X 100	NUT M8 X 100
27	21350	RACCORD 1/8M A SERTIR DIAM. 6	COMPRESSION CONNECTION 1/8
DEPUIS / FROM 06/2012			
28	NZ6024	TUBE RILSAN SOUPLE SOUPAPE HP	HP VALVE FLEXIBLE DRAIN TUBE
28	NZ6025	TUBE RILSAN SOUPLE SOUPAPE HP (V+)	HP VALVE FLEXIBLE DRAIN TUBE (V+)
29	CN-631R	ELECTROVANNE 2V REG 24V50-60HZ	ELECTROVALVE 2W ADJ. 24V50-60HZ
29	35515	EV 2 VOIES 24V 50-60HZ	EV 2 WAYS 24V 50-60HZ



PLANCHE/PLATE : 310

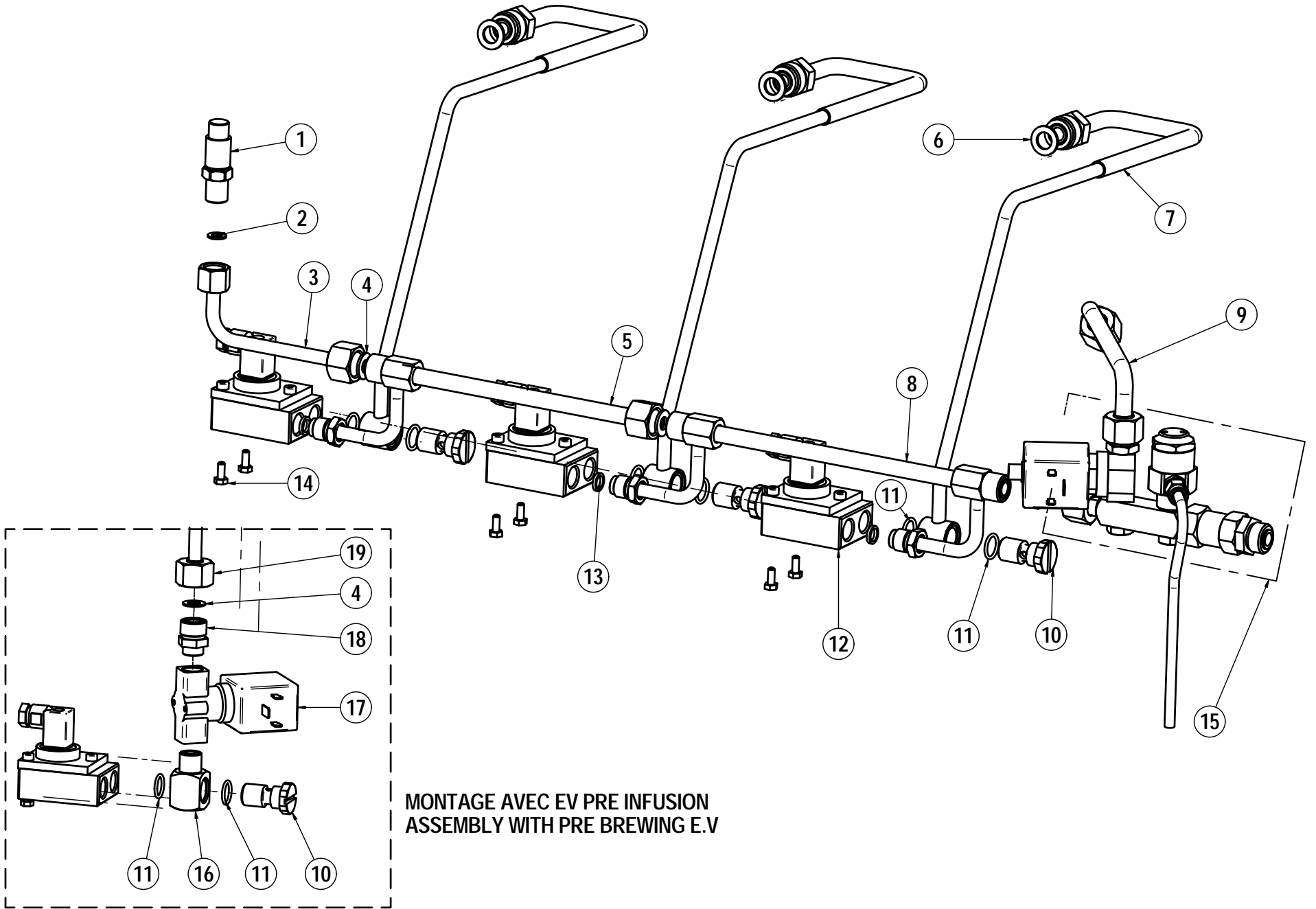
REP	REF	DESIGNATION	DESIGNATION
1	36510	CAPTEUR DE PRESSION 0-16b	0-16b PRESSURE SENSOR
2	CN-618	JOINT CUIVRE 1/4	GASKET - 1/4
3	NZ6012	TUBE CAPTEUR RESEAU	NETWORK SENSOR PIPE
	NZ6012NI	TUBE CAPTEUR RESEAU NSF	NETWORK SENSOR PIPE NSF
4	CH-16	JOINT CUIVRE RECUIT 3/8	WASHER - COPPER - 3/8
5	NZ6007	RAMPE DOSEUR EAU	WATER DOSER PIPE
	NZ6007NI	RAMPE DOSEUR EAU NSF	WATER DOSER PIPE NSF
6	CH-17	JOINT CUIVRE RECUIT 1/2	WASHER - COPPER - 1/2
7	NZ6006	TUBE ALIMENTATION GROUPE	UNIT FEEDING PIPE
	NZ6006NI	TUBE ALIMENTATION GROUPE NSF	UNIT FEEDING PIPE NSF
8	NZ6008	RAMPE DOSEUR ET ENTREE EAU	WATER FEEDING & DOSER PIPE
	NZ6008NI	RAMPE DOSEUR ET ENTREE EAU NSF	WATER FEEDING & DOSER PIPE NSF
9	NZ6011	TUBE REMPLISSAGE CHAUDIERE	BOILER FEEDING PIPE
	NZ6011NI	TUBE REMPLISSAGE CHAUDIERE NSF	BOILER FEEDING PIPE NSF
10	23760	AXE BANJO 1/4	BANJO SCREW 1/4
	23760NI	AXE BANJO 1/4 NSF	BANJO SCREW 1/4 NSF
11	PA-96	JOINT TORIQUE 1,78X12,42 EPDM	GASKET 1.78 X 12.42
12	CN-648	COMPTEUR VOLUMETRIQUE	WHOLE W.DOSING DEVICE
13	DV-172	JOINT PLAT 11.4 X 7.5 X 1.9	GASKET
14	DV-44	VIS TH M4X10 ACIER	SCREW M4x10
15	NZ1002	NOURRICE ALIMENTATION EAU	WATER FEEDING UNIT
	NZ1002NI	NOURRICE ALIMENTATION EAU NSF	WATER FEEDING UNIT NSF
16	23761	CORPS DE BANJO 1/4	BANJO BODY 1/4
	23761NI	CORPS DE BANJO 1/4 NSF	BANJO BODY 1/4 NSF
17	35532	ELECTROVANNE 2V 24V N.O Ø2	ELECTROVALVE 2W 24V OPEN
	35533	ELECTROVANNE 2V 24V N.O Ø2 NSF	ELECTROVALVE 2W 24V OPEN NSF
18	CN-441A	RACCORD 1/4M-3/8M	CONNECTION 1/4-3/8
	CN-441ANI	RACCORD 1/4M-3/8M NSF	CONNECTION 1/4-3/8 NSF
19	NZ6018	TUBE ALIM. GROUPE PRE INFUSION	PRE BREWING UNIT FEEDING PIPE
	NZ6018NI	TUBE ALIM. GROUPE PRE INFUSION NSF	PRE BREWING UNIT FEEDING PIPE NSF

11/2013

DOSEURS D'EAU
WATER DOSING DEVICE

JNICE

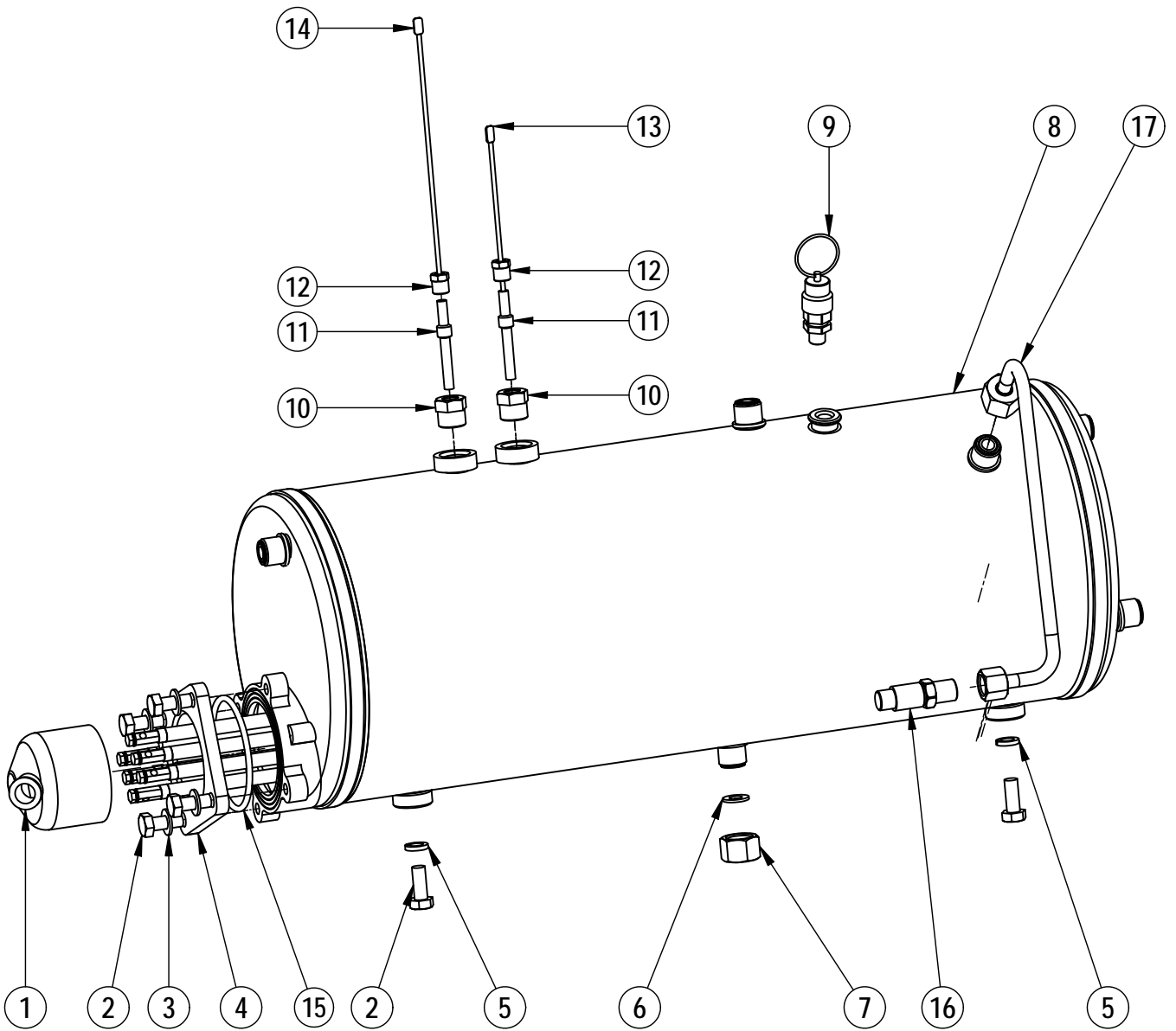
310



MONTAGE AVEC EV PRE INFUSION
ASSEMBLY WITH PRE BREWING E.V

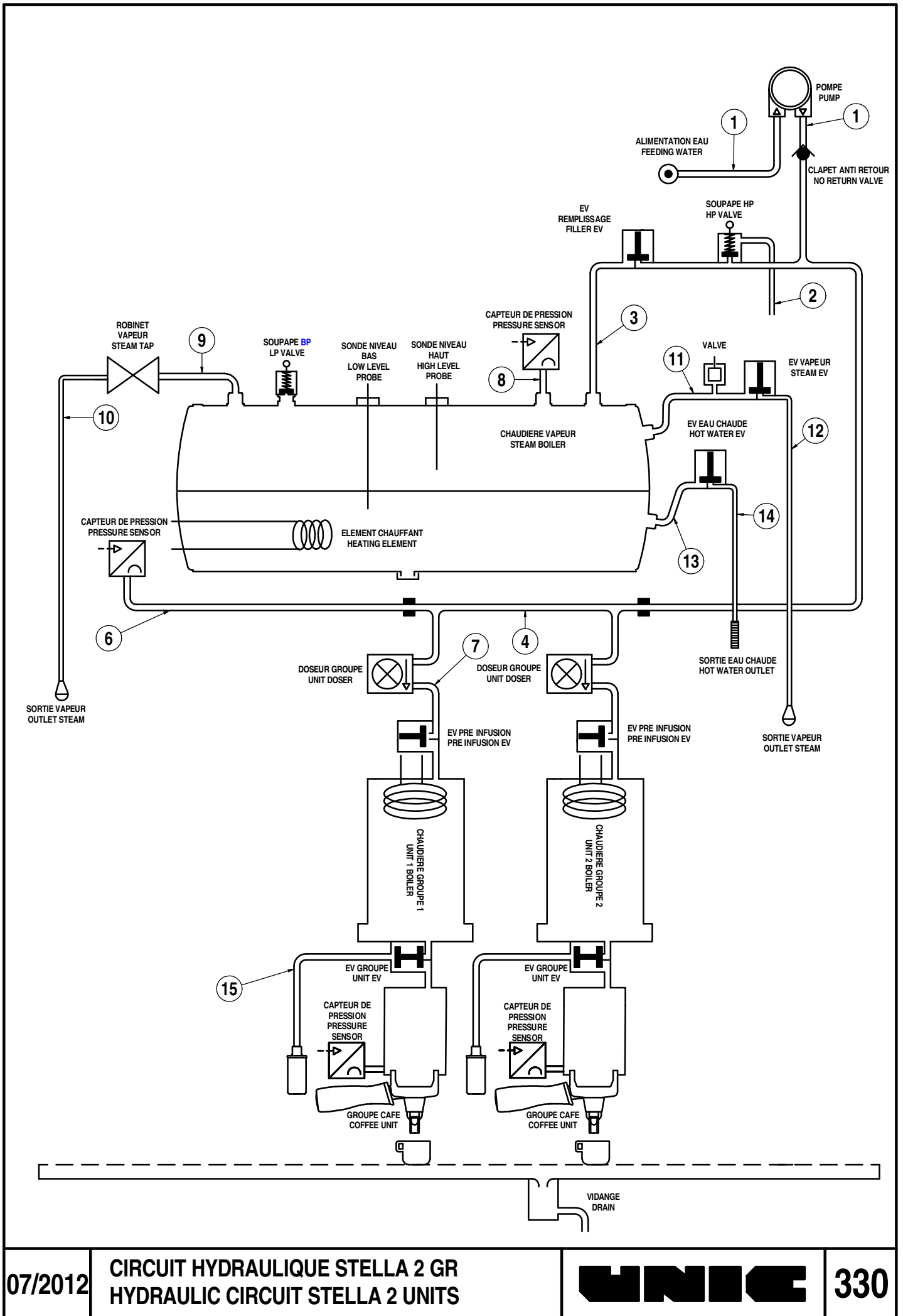
PLANCHE/PLATE : 320

REP	REF	DESIGNATION	DESIGNATION
1	29815	CACHE RESISTANCE	INSULATOR BOOT
2	CV-3	VIS TH M8 x 20 INOX	S.STEEL SCREW M8 x 20
3	CF-199	RONDELLE ACIER ZN 8x22x1,5	STEEL WASHER 8x22x1,5
4	29813	ELEMENT CHAUFFANT 230V 6555W	HEATING ELEMENT 230V 6555W
4	29813NI	ELEMENT CHAUFFANT 230V 6555W NSF	HEATING ELEMENT 230V 6555W NSF
5	RR-83	RONDELLE GROVER DE 8	WASHER 8
6	CH-16	JOINT CUIVRE RECUIT 3/8	WASHER - COPPER - 3/8
7	CH-7	ECROU 3/8 LAITON	NUT 3/8
8	29042	CHAUDIERE VAPEUR 2GR	STEAM BOILER 2 UNITS
8	29042NI	CHAUDIERE VAPEUR 2GR NSF	STEAM BOILER 2 UNITS NSF
8	29043	CHAUDIERE VAPEUR 3GR	STEAM BOILER 3 UNITS
8	29043NI	CHAUDIERE VAPEUR 3GR NSF	STEAM BOILER 3 UNITS NSF
8	29044	CHAUDIERE VAPEUR 4GR	STEAM BOILER 4 UNITS
8	29044NI	CHAUDIERE VAPEUR 4GR NSF	STEAM BOILER 4 UNITS NSF
9	27200	SOUPAPE VAPEUR 3,5 BARS	LP VALVE 1/8
9	27220	SOUPAPE BP 1/8	LP VALVE 1/8
10	NA-69A	PORTE SONDE EN LAITON	PROBE HOLDER CONNECTION
10	NA-69ANI	PORTE SONDE EN LAITON NSF	PROBE HOLDER CONNECTION NSF
11	NA-71	PORTE-ELECTRODE EN TEFLON	LEVEL PROBE INSULATION
12	NA-70	BLOCAGE ELECTRODE NIVEAU AUTO	LEVEL PROBE COMPRESSION NUT
13	CN-670	SONDE NIVEAU BAS INOX L=130	LEVEL PROBE L=130
14	26515	SONDE DE NIVEAU L=150	LEVEL PROBE L=150
15	CV-20	JOINT TORIQUE 3,53X66,68 FKM	GASKET - 66.68 x 3.53
16	36510	CAPTEUR DE PRESSION 0-16b	0-16b PRESSURE SENSOR
17	NZ6013	TUBE CAPTEUR VAPEUR	STEAM SENSOR PIPE



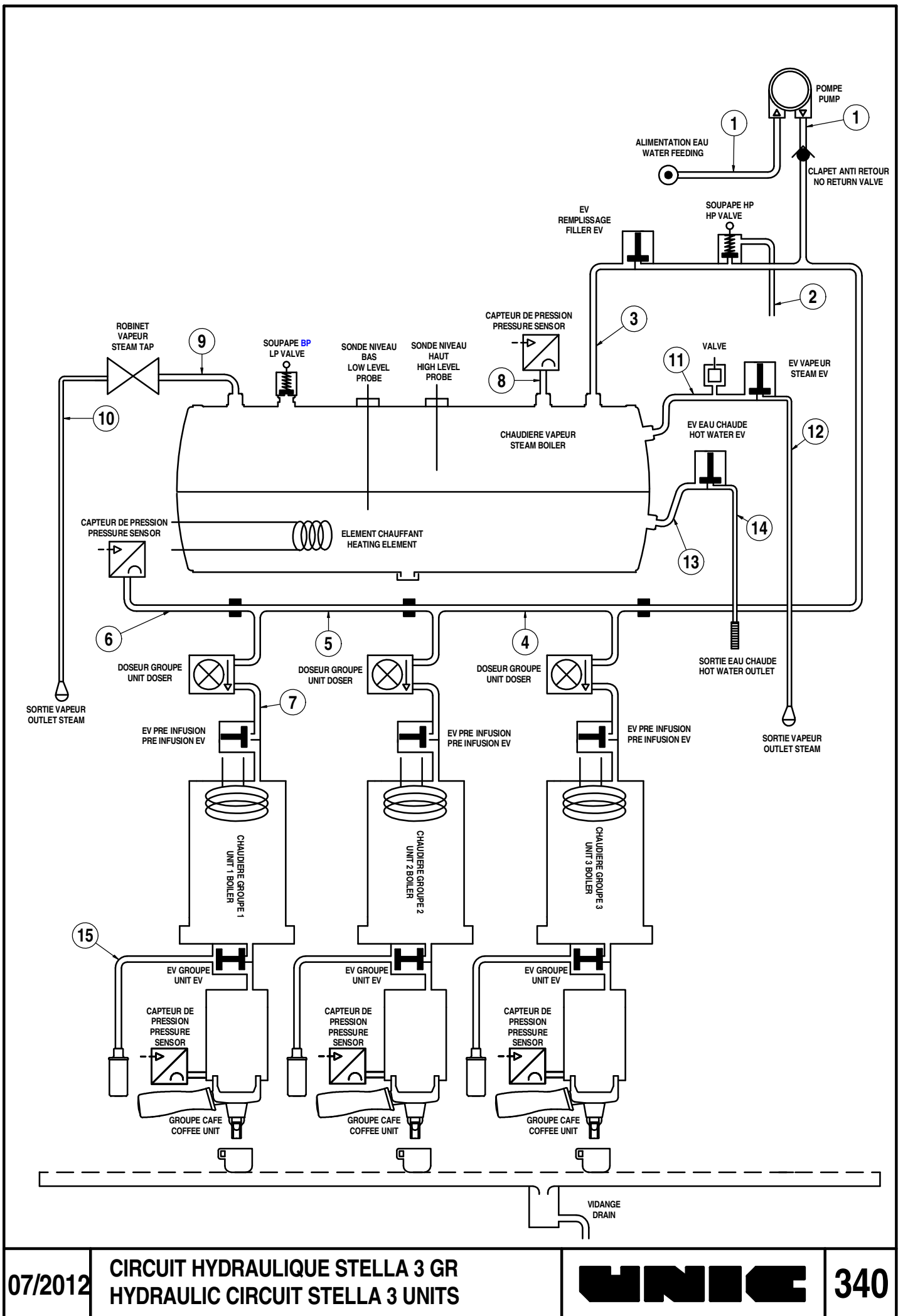
PLANCHE/PLATE : 330/340/350

REP	REF	DESIGNATION	DESIGNATION
1	ID-75	TUBE FLEXIBLE COUDE ARME INOX	FLEXIBLE PIPE
2	NZ6024	TUBE RILSAN SOUPLE SOUPAPE HP	HP VALVE FLEXIBLE DRAIN TUBE
2	NZ6025	TUBE RILSAN SOUPLE SOUPAPE HP (V+)	HP VALVE FLEXIBLE DRAIN TUBE (V+)
3	NZ6011	TUBE REMPLISSAGE CHAUDIERE	BOILER FEEDING PIPE
3	NZ6011NI	TUBE REMPLISSAGE CHAUDIERE NSF	BOILER FEEDING PIPE NSF
4	NZ6008	RAMPE DOSEUR ET ENTREE EAU	WATER FEEDING & DOSER PIPE
4	NZ6008NI	RAMPE DOSEUR ET ENTREE EAU NSF	WATER FEEDING & DOSER PIPE NSF
5	NZ6007	RAMPE DOSEUR EAU	WATER DOSER PIPE
5	NZ6007NI	RAMPE DOSEUR EAU NSF	WATER DOSER PIPE NSF
6	NZ6012	TUBE CAPTEUR RESEAU	NETWORK SENSOR PIPE
6	NZ6012NI	TUBE CAPTEUR RESEAU NSF	NETWORK SENSOR PIPE NSF
7	NZ6006	TUBE ALIMENTATION GROUPE	UNIT FEEDING PIPE
7	NZ6006NI	TUBE ALIMENTATION GROUPE NSF	UNIT FEEDING PIPE NSF
7	NZ6018	TUBE ALIM. GROUPE PRE INFUSION	PRE BREWING UNIT FEEDING PIPE
7	NZ6018NI	TUBE ALIM. GROUPE PRE INFUSION NSF	PRE BREWING UNIT FEEDING PIPE NSF
8	NZ6013	TUBE CAPTEUR VAPEUR	STEAM SENSOR PIPE
8	NZ6013NI	TUBE CAPTEUR VAPEUR NSF	STEAM SENSOR PIPE NSF
9	NZ6010	TUBE ROBINET VAPEUR GAUCHE	LEFT STEAM TAP PIPE
9	NZ6010NI	TUBE ROBINET VAPEUR GAUCHE NSF	LEFT STEAM TAP PIPE NSF
9	NZ6020	TUBE ROBINET VAPEUR DROIT	RIGHT STEAM TAP PIPE
10	25902	SORTIE VAPEUR STELLA INOX	STELLA S.STEEL STEAM OUTLET
10	25903	SORTIE VAPEUR INOX V+	V+ STAINLESS STEEL STEAM OUTLET
11	NZ6004	TUBE EV VAPEUR DROIT	RIGHT STEAM EV PIPE
11	NZ6004NI	TUBE EV VAPEUR DROIT NSF	RIGHT STEAM EV PIPE NSF
11	NZ6020	TUBE ROBINET VAPEUR DROIT	RIGHT STEAM TAP PIPE
12	25902	SORTIE VAPEUR STELLA INOX	STELLA S.STEEL STEAM OUTLET
12	25903	SORTIE VAPEUR INOX V+	V+ STAINLESS STEEL STEAM OUTLET
12	NZ1020	SORTIE STEAMAIR STELLA	STELLA STEAMAIR OUTLET
12	NZ1021	SORTIE STEAMAIR STELLA V+	STELLA V+ STEAMAIR OUTLET
13	NZ6005	TUBE EV EAU CHAUDE	HOT WATER EV PIPE
13	NZ6005NI	TUBE EV EAU CHAUDE NSF	HOT WATER EV PIPE NSF
14	DV1024	SORTIE EAU CHAUDE REGLABLE	ADJUSTABLE HOT WATER OUTLET
14	DV1024NI	SORTIE EAU CHAUDE REGLABLE NSF	ADJUSTABLE HOT WATER OUTLET NSF
15	NZ6000	TUBE DECOMPRESSION	DECOMPRESSION PIPE
15	NZ6001	TUBE DECOMPRESSION V+	DECOMPRESSION V+ PIPE



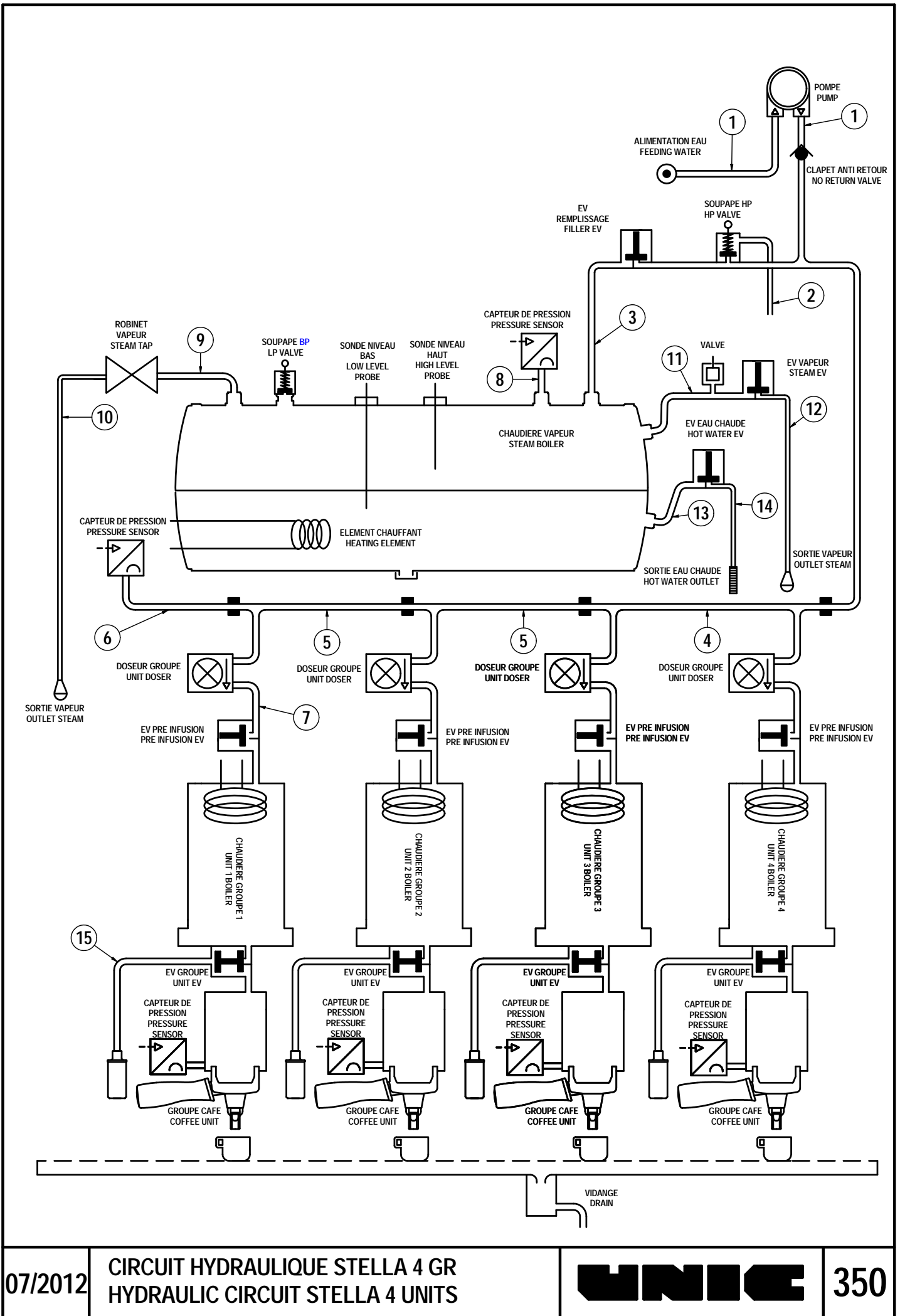
PLANCHE/PLATE : 330/340/350

REP	REF	DESIGNATION	DESIGNATION
1	ID-75	TUBE FLEXIBLE COUDE ARME INOX	FLEXIBLE PIPE
2	NZ6024	TUBE RILSAN SOUPLE SOUPAPE HP	HP VALVE FLEXIBLE DRAIN TUBE
2	NZ6025	TUBE RILSAN SOUPLE SOUPAPE HP (V+)	HP VALVE FLEXIBLE DRAIN TUBE (V+)
3	NZ6011	TUBE REMPLISSAGE CHAUDIERE	BOILER FEEDING PIPE
3	NZ6011NI	TUBE REMPLISSAGE CHAUDIERE NSF	BOILER FEEDING PIPE NSF
4	NZ6008	RAMPE DOSEUR ET ENTREE EAU	WATER FEEDING & DOSER PIPE
4	NZ6008NI	RAMPE DOSEUR ET ENTREE EAU NSF	WATER FEEDING & DOSER PIPE NSF
5	NZ6007	RAMPE DOSEUR EAU	WATER DOSER PIPE
5	NZ6007NI	RAMPE DOSEUR EAU NSF	WATER DOSER PIPE NSF
6	NZ6012	TUBE CAPTEUR RESEAU	NETWORK SENSOR PIPE
6	NZ6012NI	TUBE CAPTEUR RESEAU NSF	NETWORK SENSOR PIPE NSF
7	NZ6006	TUBE ALIMENTATION GROUPE	UNIT FEEDING PIPE
7	NZ6006NI	TUBE ALIMENTATION GROUPE NSF	UNIT FEEDING PIPE NSF
7	NZ6018	TUBE ALIM. GROUPE PRE INFUSION	PRE BREWING UNIT FEEDING PIPE
7	NZ6018NI	TUBE ALIM. GROUPE PRE INFUSION NSF	PRE BREWING UNIT FEEDING PIPE NSF
8	NZ6013	TUBE CAPTEUR VAPEUR	STEAM SENSOR PIPE
8	NZ6013NI	TUBE CAPTEUR VAPEUR NSF	STEAM SENSOR PIPE NSF
9	NZ6010	TUBE ROBINET VAPEUR GAUCHE	LEFT STEAM TAP PIPE
9	NZ6010NI	TUBE ROBINET VAPEUR GAUCHE NSF	LEFT STEAM TAP PIPE NSF
9	NZ6020	TUBE ROBINET VAPEUR DROIT	RIGHT STEAM TAP PIPE
10	25902	SORTIE VAPEUR STELLA INOX	STELLA S.STEEL STEAM OUTLET
10	25903	SORTIE VAPEUR INOX V+	V+ STAINLESS STEEL STEAM OUTLET
11	NZ6004	TUBE EV VAPEUR DROIT	RIGHT STEAM EV PIPE
11	NZ6004NI	TUBE EV VAPEUR DROIT NSF	RIGHT STEAM EV PIPE NSF
11	NZ6020	TUBE ROBINET VAPEUR DROIT	RIGHT STEAM TAP PIPE
12	25902	SORTIE VAPEUR STELLA INOX	STELLA S.STEEL STEAM OUTLET
12	25903	SORTIE VAPEUR INOX V+	V+ STAINLESS STEEL STEAM OUTLET
12	NZ1020	SORTIE STEAMAIR STELLA	STELLA STEAMAIR OUTLET
12	NZ1021	SORTIE STEAMAIR STELLA V+	STELLA V+ STEAMAIR OUTLET
13	NZ6005	TUBE EV EAU CHAUDE	HOT WATER EV PIPE
13	NZ6005NI	TUBE EV EAU CHAUDE NSF	HOT WATER EV PIPE NSF
14	DV1024	SORTIE EAU CHAUDE REGLABLE	ADJUSTABLE HOT WATER OUTLET
14	DV1024NI	SORTIE EAU CHAUDE REGLABLE NSF	ADJUSTABLE HOT WATER OUTLET NSF
15	NZ6000	TUBE DECOMPRESSION	DECOMPRESSION PIPE
15	NZ6001	TUBE DECOMPRESSION V+	DECOMPRESSION V+ PIPE



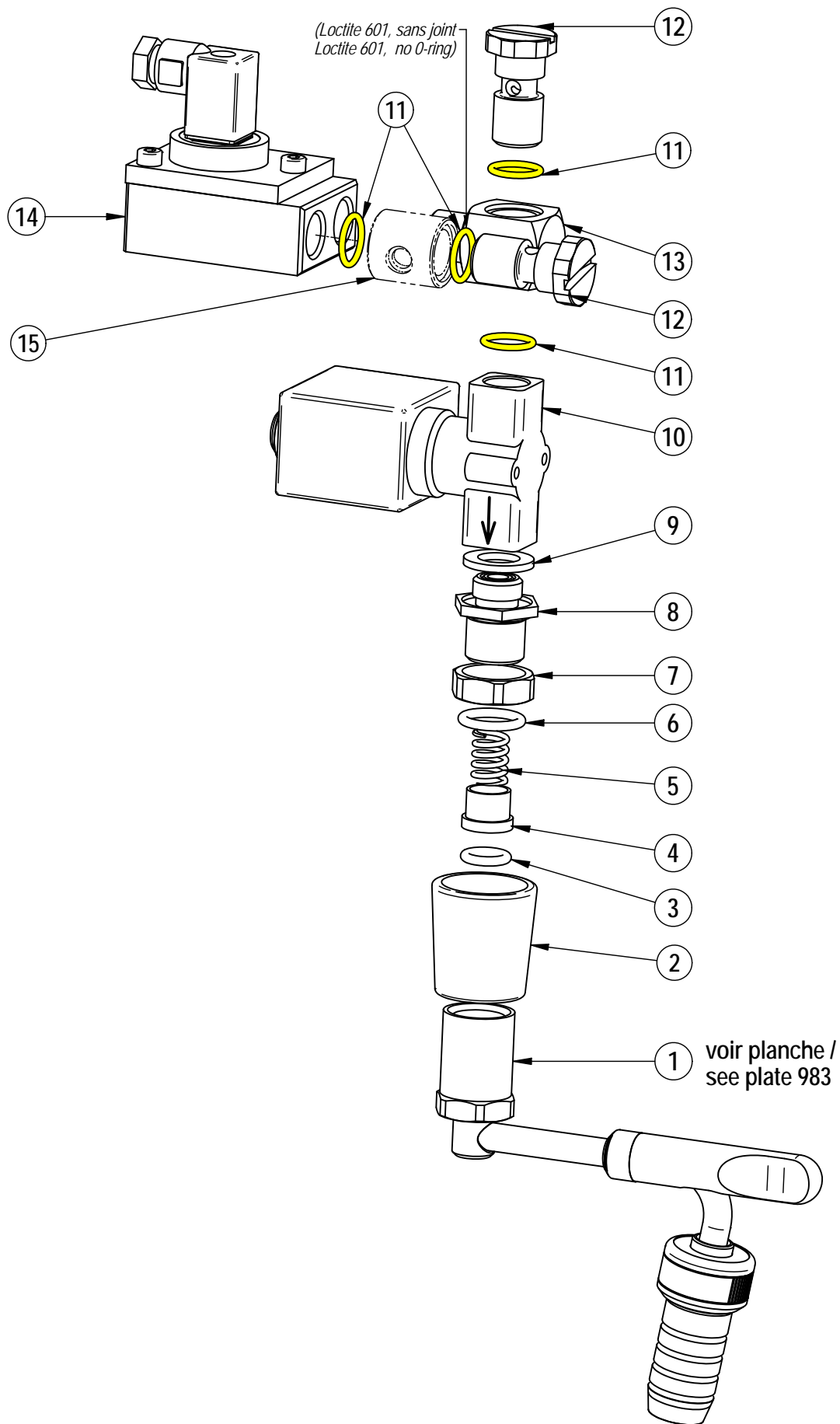
PLANCHE/PLATE : 330/340/350

REP	REF	DESIGNATION	DESIGNATION
1	ID-75	TUBE FLEXIBLE COUDE ARME INOX	FLEXIBLE PIPE
2	NZ6024	TUBE RILSAN SOUPLE SOUPAPE HP	HP VALVE FLEXIBLE DRAIN TUBE
2	NZ6025	TUBE RILSAN SOUPLE SOUPAPE HP (V+)	HP VALVE FLEXIBLE DRAIN TUBE (V+)
3	NZ6011	TUBE REMPLISSAGE CHAUDIERE	BOILER FEEDING PIPE
3	NZ6011NI	TUBE REMPLISSAGE CHAUDIERE NSF	BOILER FEEDING PIPE NSF
4	NZ6008	RAMPE DOSEUR ET ENTREE EAU	WATER FEEDING & DOSER PIPE
4	NZ6008NI	RAMPE DOSEUR ET ENTREE EAU NSF	WATER FEEDING & DOSER PIPE NSF
5	NZ6007	RAMPE DOSEUR EAU	WATER DOSER PIPE
5	NZ6007NI	RAMPE DOSEUR EAU NSF	WATER DOSER PIPE NSF
6	NZ6012	TUBE CAPTEUR RESEAU	NETWORK SENSOR PIPE
6	NZ6012NI	TUBE CAPTEUR RESEAU NSF	NETWORK SENSOR PIPE NSF
7	NZ6006	TUBE ALIMENTATION GROUPE	UNIT FEEDING PIPE
7	NZ6006NI	TUBE ALIMENTATION GROUPE NSF	UNIT FEEDING PIPE NSF
7	NZ6018	TUBE ALIM. GROUPE PRE INFUSION	PRE BREWING UNIT FEEDING PIPE
7	NZ6018NI	TUBE ALIM. GROUPE PRE INFUSION NSF	PRE BREWING UNIT FEEDING PIPE NSF
8	NZ6013	TUBE CAPTEUR VAPEUR	STEAM SENSOR PIPE
8	NZ6013NI	TUBE CAPTEUR VAPEUR NSF	STEAM SENSOR PIPE NSF
9	NZ6010	TUBE ROBINET VAPEUR GAUCHE	LEFT STEAM TAP PIPE
9	NZ6010NI	TUBE ROBINET VAPEUR GAUCHE NSF	LEFT STEAM TAP PIPE NSF
9	NZ6020	TUBE ROBINET VAPEUR DROIT	RIGHT STEAM TAP PIPE
10	25902	SORTIE VAPEUR STELLA INOX	STELLA S.STEEL STEAM OUTLET
10	25903	SORTIE VAPEUR INOX V+	V+ STAINLESS STEEL STEAM OUTLET
11	NZ6004	TUBE EV VAPEUR DROIT	RIGHT STEAM EV PIPE
11	NZ6004NI	TUBE EV VAPEUR DROIT NSF	RIGHT STEAM EV PIPE NSF
11	NZ6020	TUBE ROBINET VAPEUR DROIT	RIGHT STEAM TAP PIPE
12	25902	SORTIE VAPEUR STELLA INOX	STELLA S.STEEL STEAM OUTLET
12	25903	SORTIE VAPEUR INOX V+	V+ STAINLESS STEEL STEAM OUTLET
12	NZ1020	SORTIE STEAMAIR STELLA	STELLA STEAMAIR OUTLET
12	NZ1021	SORTIE STEAMAIR STELLA V+	STELLA V+ STEAMAIR OUTLET
13	NZ6005	TUBE EV EAU CHAUDE	HOT WATER EV PIPE
13	NZ6005NI	TUBE EV EAU CHAUDE NSF	HOT WATER EV PIPE NSF
14	DV1024	SORTIE EAU CHAUDE REGLABLE	ADJUSTABLE HOT WATER OUTLET
14	DV1024NI	SORTIE EAU CHAUDE REGLABLE NSF	ADJUSTABLE HOT WATER OUTLET NSF
15	NZ6000	TUBE DECOMPRESSION	DECOMPRESSION PIPE
15	NZ6001	TUBE DECOMPRESSION V+	DECOMPRESSION V+ PIPE



PLANCHE/PLATE : 400

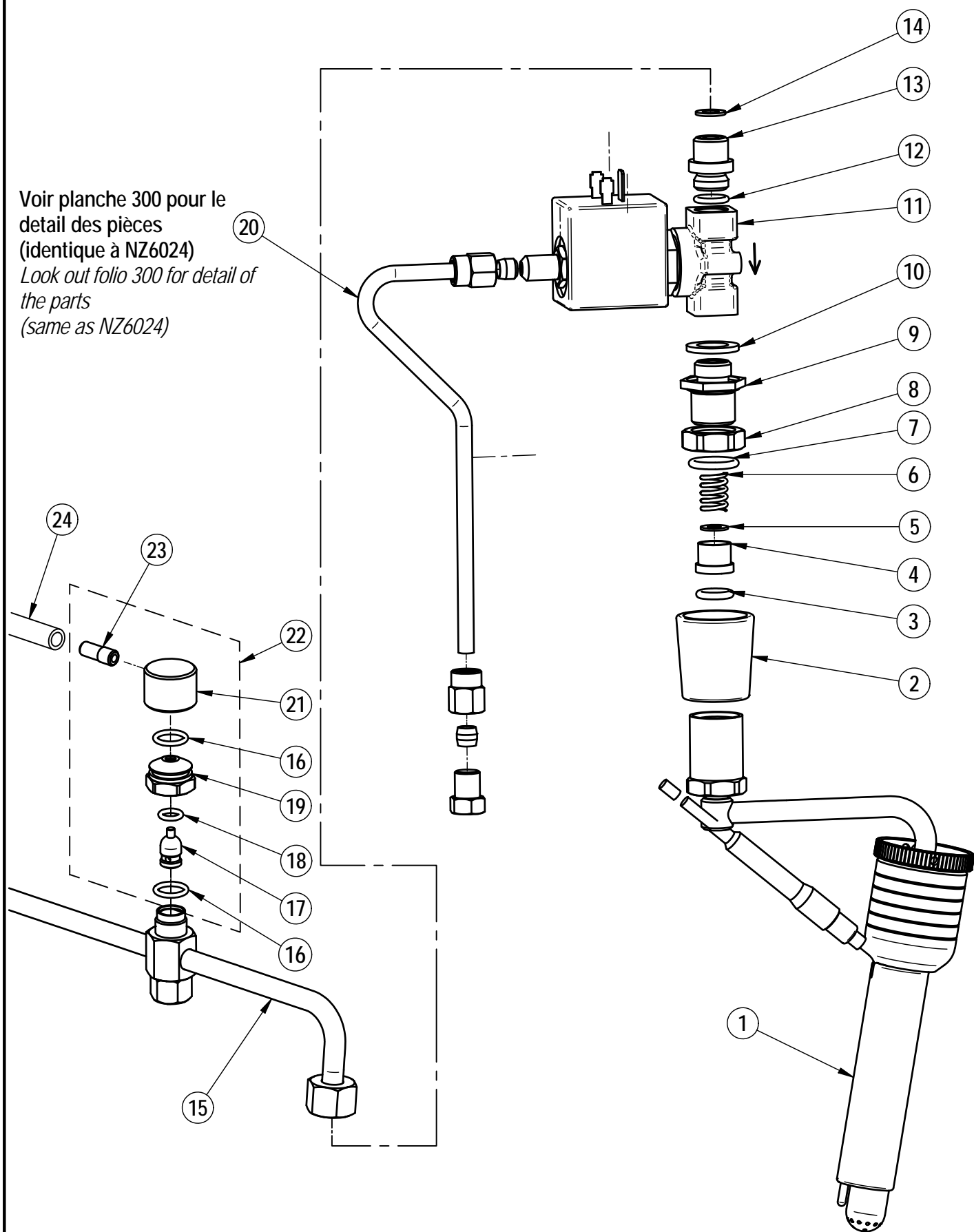
REP	REF	DESIGNATION	DESIGNATION
1	DV1024	SORTIE EAU CHAUDE REGLABLE	ADJUSTABLE HOT WATER OUTLET
	DV1024NI	SORTIE EAU CHAUDE REGLABLE NSF	ADJUSTABLE HOT WATER OUTLET NSF
2	25915	CACHE SORTIE EAU VAPEUR	COVER OUTLET STEAM WATER
3	PH-78	JOINT TORIQUE 2,62X9,13 EPDM	O RING - 9,13 X 2,62
4	RR-67	EMBOUT LAITON	BRASS END
	RR-67NI	EMBOUT LAITON NSF	BRASS END NSF
5	PA-43	RESSORT F15/10 L14,5 D10,5 P3	SPRING
6	PH-54	JOINT TORIQUE 2,62X13,95 EPDM	O RING - 13.95 x 2.62
7	DV-170	ECROU CHROME	NUT 3/8
8	DV-171	RACCORD 3/8-1/4	FITTING 3/8
	DV-171NI	RACCORD 3/8-1/4 NSF	FITTING 3/8 NSF
9	28352	JOINT PLAT 20X12X2 EPDM 70SH	GASKET 20X12X2
10	CN-245R	ELECTROVANNE 2V 24V	ELECTROVALVE 2W 24V
	35510	EV 2 VOIES 24V	ELECTROVALVE 2 WAYS 24V
11	27796	JOINT TORIQUE 1,78 X 12,42 NEXUS	O RING 1.78 X 12,42
12	23760	AXE BANJO 1/4	BANJO SCREW 1/4
	23760NI	AXE BANJO 1/4 NSF	BANJO SCREW 1/4 NSF
13	23761	CORPS DE BANJO 1/4	BANJO BODY 1/4
	23761NI	CORPS DE BANJO 1/4 NSF	BANJO BODY 1/4 NSF
14	DO-71	DOSEUR D'EAU COMPLET D=2,5	WHOLE WATER DOS. DEVICE D:2,5
15	NZ6005	TUBE EV EAU CHAUDE	HOT WATER EV PIPE
	NZ6005NI	TUBE EV EAU CHAUDE NSF	HOT WATER EV PIPE NSF



PLANCHE/PLATE : 410

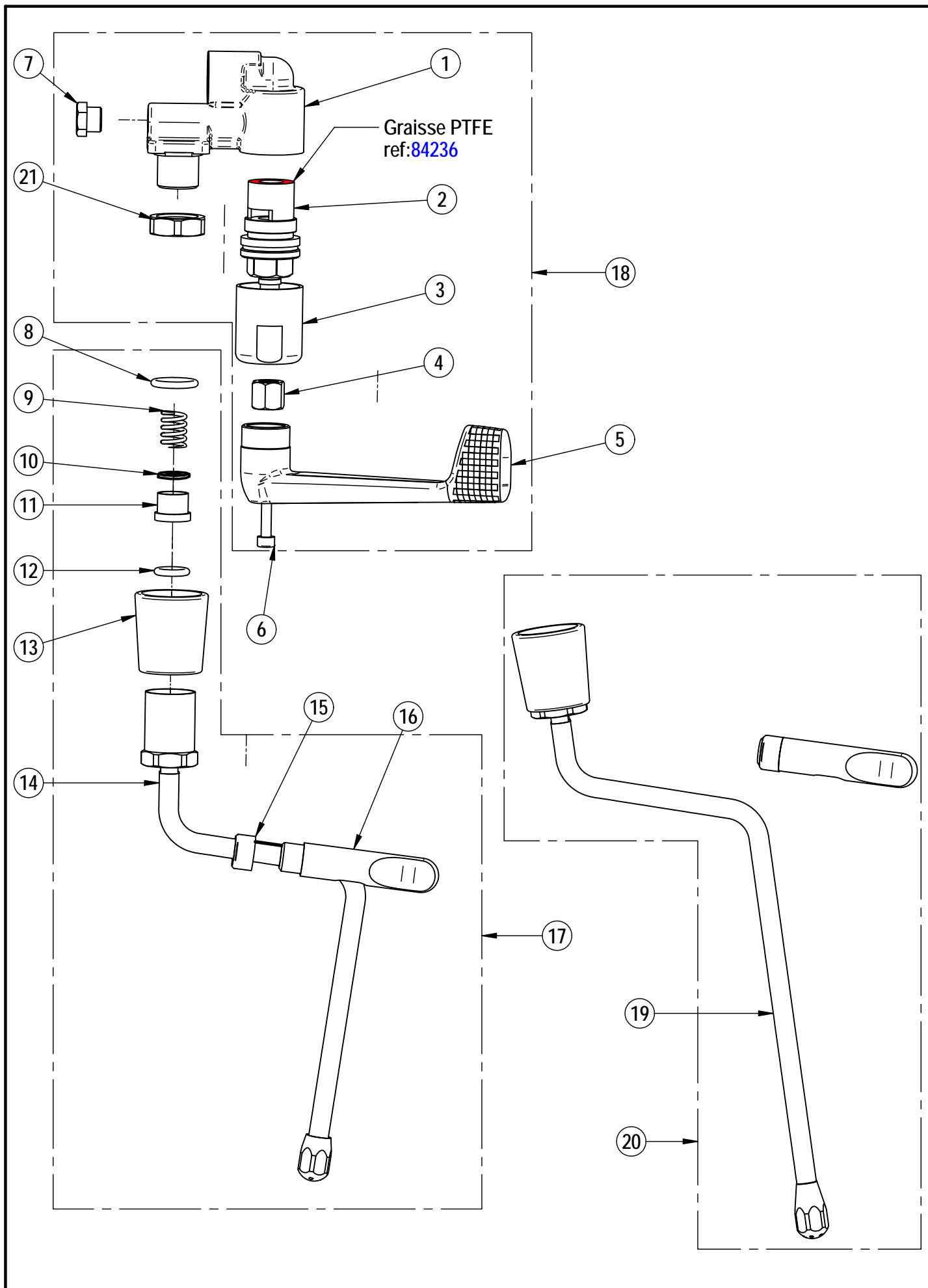
REP	REF	DESIGNATION	DESIGNATION
1	NZ1020	SORTIE STEAMAIR STELLA	STELLA STEAMAIR OUTLET
1	NZ1021	SORTIE STEAMAIR STELLA V+	STELLA V+ STEAMAIR OUTLET
2	25915	CACHE SORTIE EAU VAPEUR	COVER OUTLET STEAM WATER
3	PH-78	JOINT TORIQUE 2,62X9,13 EPDM	O RING - 9,13 X 2,62
4	RR-67	EMBOUT LAITON	BRASS END
4	RR-67NI	EMBOUT LAITON NSF	BRASS END NSF
5	AG-14	JOINT CUIVRE M12	COPPER GASKET
6	PA-43	RESSORT F15/10 L14,5 D10,5 P3	SPRING
7	PH-54	JOINT TORIQUE 2,62X13,95 EPDM	O RING - 13.95 x 2.62
8	DV-170	ECROU CHROME	NUT 3/8
9	DV-171	RACCORD 3/8-1/4	FITTING 3/8
9	DV-171NI	RACCORD 3/8-1/4 NSF	FITTING 3/8 NSF
10	28352	JOINT PLAT 20X12X2 EPDM 70SH	GASKET 20X12X2
11	35040	ELECTROVANNE 3V 24V	ELECTROVALVE 3W 24V
11	35045	ELECTROVANNE 3 VOIES 24V	ELECTROVALVE 3 WAYS 24V
12	28104	JOINT TORIQUE 2X9,5 FKM 80SH	GASKET 2X9,5
13	20952	RACCORD 1/4 MALE	FITTING 1/4 M
13	20952NI	RACCORD 1/4 MALE NSF	FITTING 1/4 M NSF
14	CN-618	JOINT CUIVRE 1/4	GASKET - 1/4
15	NZ6004	TUBE EV VAPEUR DROIT	RIGHT STEAM EV PIPE
15	NZ6004NI	TUBE EV VAPEUR NSF	STEAM EV PIPE NSF
16	CN-2850	JOINT TORIQUE 1,78X10,82	GASKET 10.82x1.78
17	27225	TIGE VALVE SPHERIQUE	SPHERICAL ROD
18	CN-198	JOINT TORIQUE 1,78X6,07 FKM	GASKET - 6.07 x 1.78
19	27226	ECROU VALVE DE PURGE	VACCUM VALVE NUT
20	NZ6021	TUBE RILSAN EV 3V STELLA	DRAIN TUBE EV 3W STELLA
20	NZ6022	TUBE RILSAN EV 3V STELLA V+	DRAIN TUBE EV 3W STELLA V+
21	27227	CABOCHON VALVE DE PURGE	STOPPER PURGE VALVE
22	27224	KIT VALVE DE PURGE	VACCUM VALVE KIT
23	26175	EMBOUT M6	M6 NOZZLE
24	12747	TUBE SILICONE SOUPLE 4 - 7	FLEXIBLE SILICONE PIPE 4 - 7

Voir planche 300 pour le
 detail des pièces
 (identique à NZ6024)
 Look out folio 300 for detail of
 the parts
 (same as NZ6024)



PLANCHE/PLATE : 420

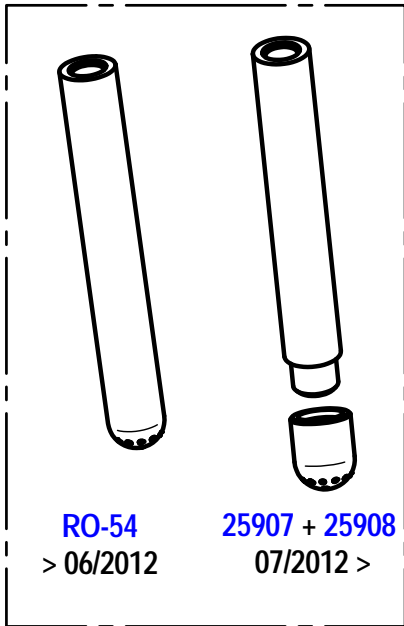
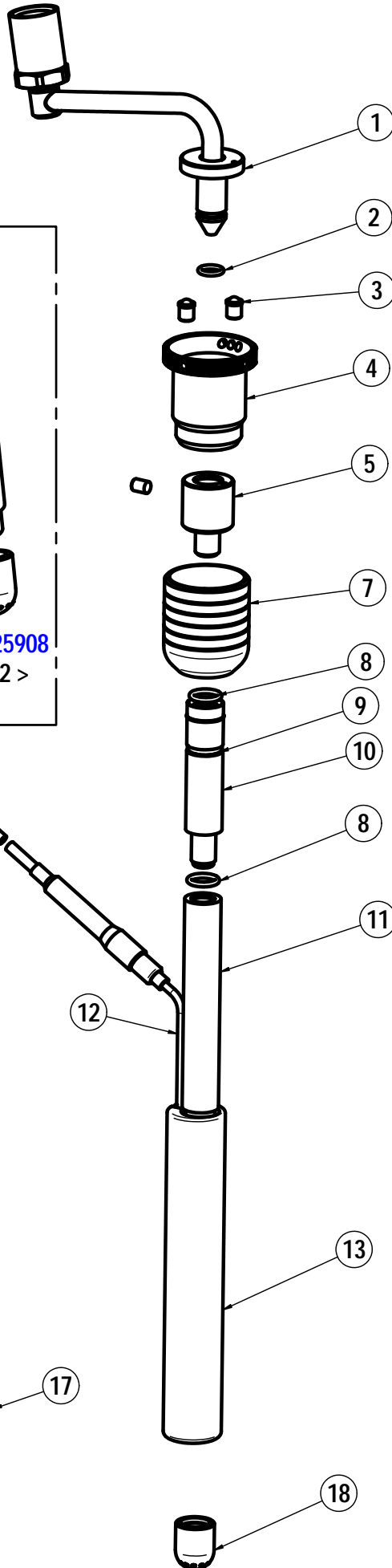
REP	REF	DESIGNATION	DESIGNATION
1	NZ4004	ROBINET VAPEUR	STEAM TAP
	NZ4004NI	ROBINET VAPEUR NSF	STEAM TAP NSF
2	25925	CARTOUCHE CERAMIQUE	CERAMIC CARTRIDGE
3	NZ4013	PALIER ROBINET VAPEUR	STEAM TAP COVER
4	NZ4014	INSERT POIGNEE ROBINET	STEAM HANDLE INSERT
5	NZ7003	POIGNEE VAPEUR	STEAM HANDLE
6	CN-489	VIS INOX CHC 4 x 16	SCREW M4 X 16
7	21100	BOUCHON 1/8	PLUG 1/8
	21100NI	BOUCHON 1/8 NSF	PLUG 1/8 NSF
8	PH-54	JOINT TORIQUE 2,62X13,95 EPDM	O RING - 13.95 x 2.62
9	PA-43	RESSORT F15/10 L14,5 D10,5 P3	SPRING
10	AG-14	JOINT CUIVRE M12	COPPER GASKET
11	RR-67	EMBOUT LAITON	BRASS END
	RR-67NI	EMBOUT LAITON NSF	BRASS END NSF
12	PH-78	JOINT TORIQUE 2,62X9,13 EPDM	O RING - 9,13 X 2,62
13	25915	CACHE SORTIE EAU VAPEUR	COVER OUTLET STEAM WATER
14	25902	SORTIE VAPEUR STELLA INOX	STELLA S.STEEL STEAM OUTLET
15	25911	BAGUE POUR POIGNEE EAU ET VAPEUR	WATER AND STEAM HANDLE COLLAR
16	25910	POIGNEE SORTIE EAU CHAUDE ET VAPEUR	HOT WATER AND STEAM OUTLET HANDLE
17	NZ1015	KIT SORTIE VAPEUR STELLA	STELLA STEAM OUTLET KIT
18	NZ1014	ROBINET VAPEUR COMPLET	STEAM TAP KIT
19	25903	SORTIE VAPEUR INOX V+	V+ STAINLESS STEEL STEAM OUTLET
20	NZ1016	KIT SORTIE VAPEUR STELLA V+	STELLA V+ STEAM OUTLET KIT
21	DV-170	ECROU CHROME	NUT 3/8



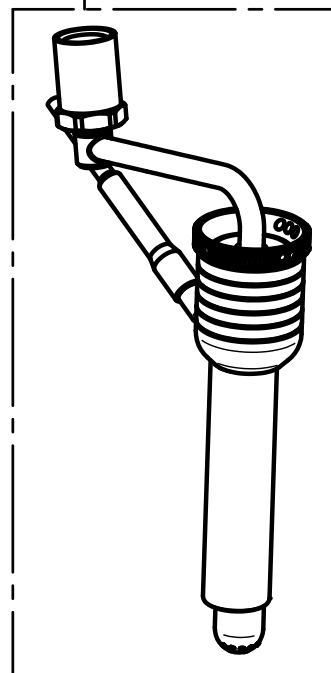
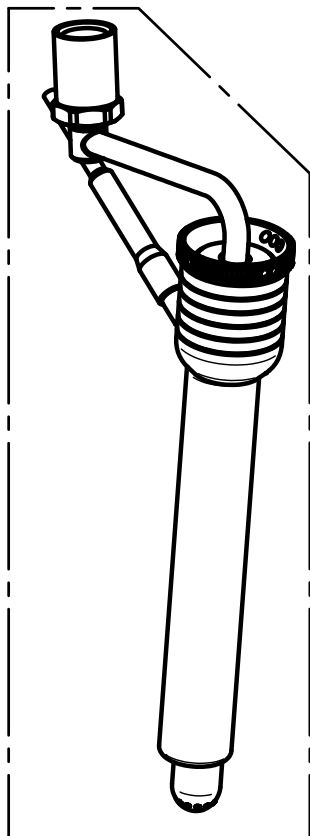
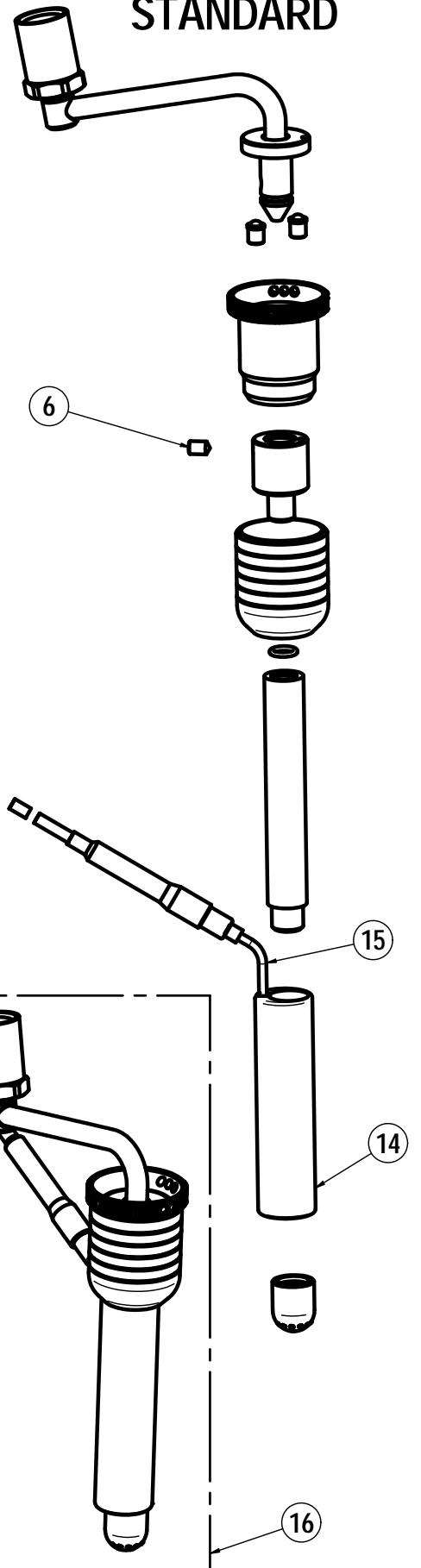
PLANCHE/PLATE : 430

REP	REF	DESIGNATION	DESIGNATION
1	RO-59A	TUBE SORTIE CAPPUCCINO	CAPPUCCINO OUTLET PIPE
2	CN-436	JOINT TORIQUE 1,78X8,73 EPDM	GASKET 8,73 X 1,78
3	RO-58	POUSSOIR A BILLE	THRUST BALL BEARING
4	RO-55	BARILLET	BARREL
5	RO-57	MELANGEUR	MIXER
	RO-57NI	MELANGEUR NSF	MIXER NSF
6	PC-38	VIS STHC M5X8 BOUT POINTU	POINT END SCREW
7	RO-68	CACHE BARILLET	BARREL COVER
8	28104	JOINT TORIQUE 2X9,5 FKM 80SH	GASKET 2X9,5
9	PH-78	JOINT TORIQUE 2,62X9,13 EPDM	O RING - 9,13 X 2,62
10	25904	RALLONGE SORTIE CAPPUCCINO	CAPPUCCINO OUTLET EXTENSION
11	25907	TUBE PTFE STEAMAIR	PTFE STEAMAIR PIPE
12	NZ8015	SONDE VAPEUR THERMOSTATEE V+	V+ THERMOSTATED STEAM PROBE
13	25906	SUPPORT DE SONDE TANGO	TANGO PROBE SUPPORT
14	25905	SUPPORT DE SONDE	PROBE SUPPORT
15	NZ8001	SONDE VAPEUR THERMOSTATEE	THERMOSTATED STEAM PROBE
16	NZ1020	SORTIE STEAMAIR STELLA	STELLA STEAMAIR OUTLET
17	NZ1021	SORTIE STEAMAIR STELLA V+	STELLA V+ STEAMAIR OUTLET
18	25908	EMBOUT PTFE 17 TROUS	17 HOLES END PIPE

V+



STANDARD



PLANCHE/PLATE : 440

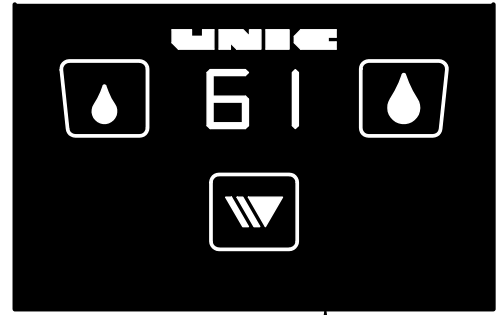
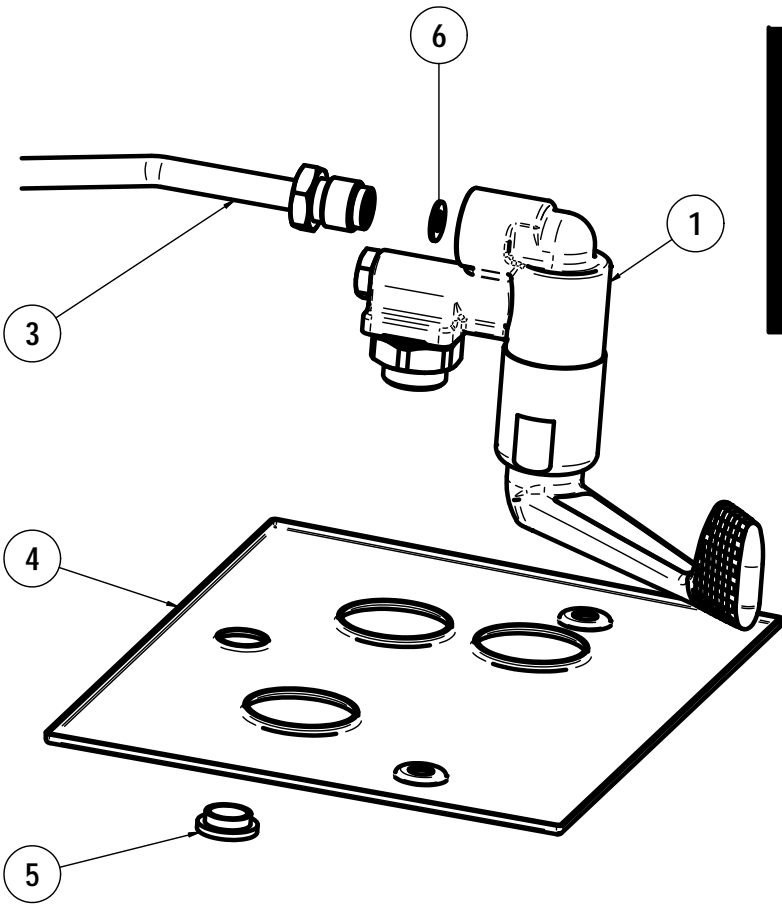
REP	REF	DESIGNATION	DESIGNATION
1	NZ1014	ROBINET VAPEUR COMPLET	STEAM TAP KIT
	NZ1014NI	ROBINET VAPEUR COMPLET NSF	STEAM TAP KIT NSF
2	45105	BOITIER EAU CHAUDE (BST)	HOT WATER ELECTRONIC BOX (BST)
3	NZ6020	TUBE ROBINET VAPEUR DROIT	RIGHT STEAM TAP PIPE
	NZ6020NI	TUBE ROBINET VAPEUR DROIT NSF	RIGHT STEAM TAP PIPE NSF
4	NZ7007R	CACHE ELECTROVANNE VERSION ROBINET	ELECTROVALVE COVER TAP VERSION
5	ED-118	BOUCHON PLASTIQUE	CAP
6	AG-14	JOINT CUIVRE M12	COPPER GASKET
7	CH-16	JOINT CUIVRE RECUIT 3/8	WASHER - COPPER - 3/8
8	NZ1017	KIT ROBINET VAPEUR A DROITE	RIGHT STEAM TAP KIT
	NZ1017NI	KIT ROBINET VAPEUR A DROITE NSF	RIGHT STEAM TAP KIT NSF
9	NZ1015	KIT SORTIE VAPEUR STELLA	STELLA STEAM OUTLET KIT
	NZ1016	KIT SORTIE VAPEUR STELLA V+	STELLA V+ STEAM OUTLET KIT

45105

UNIC



6 |



2

4

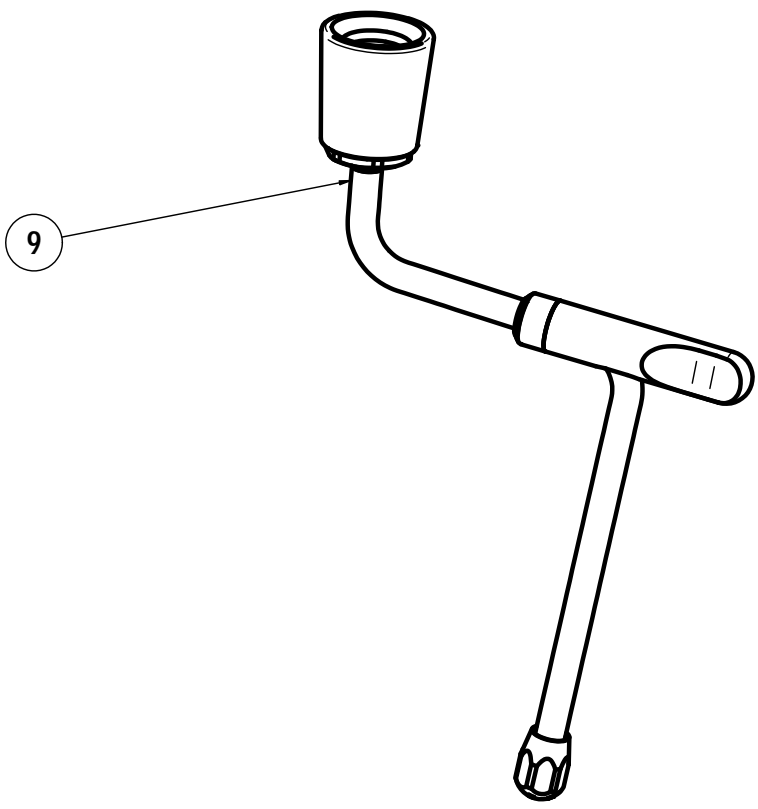
5

6

1

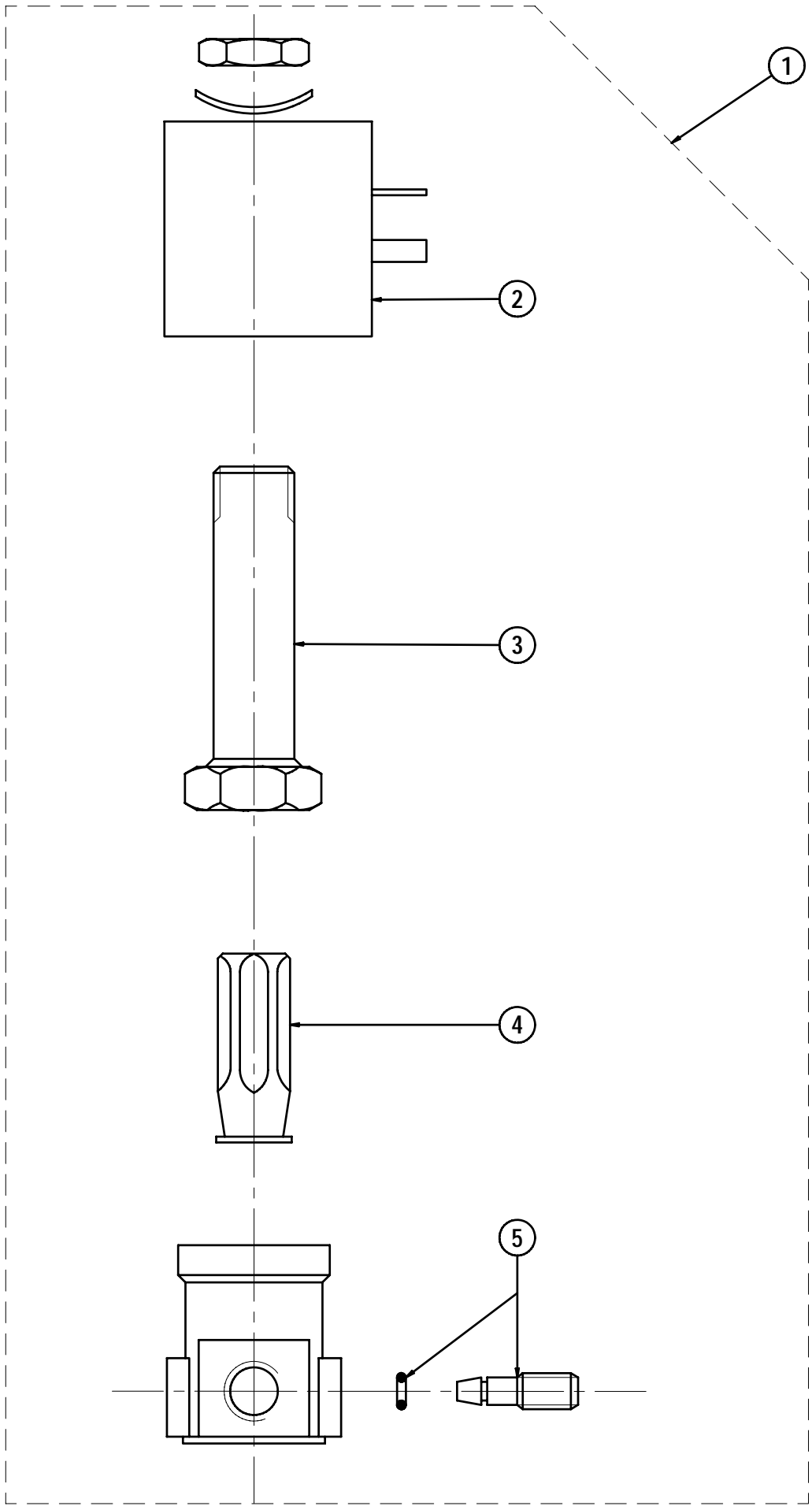
8

9



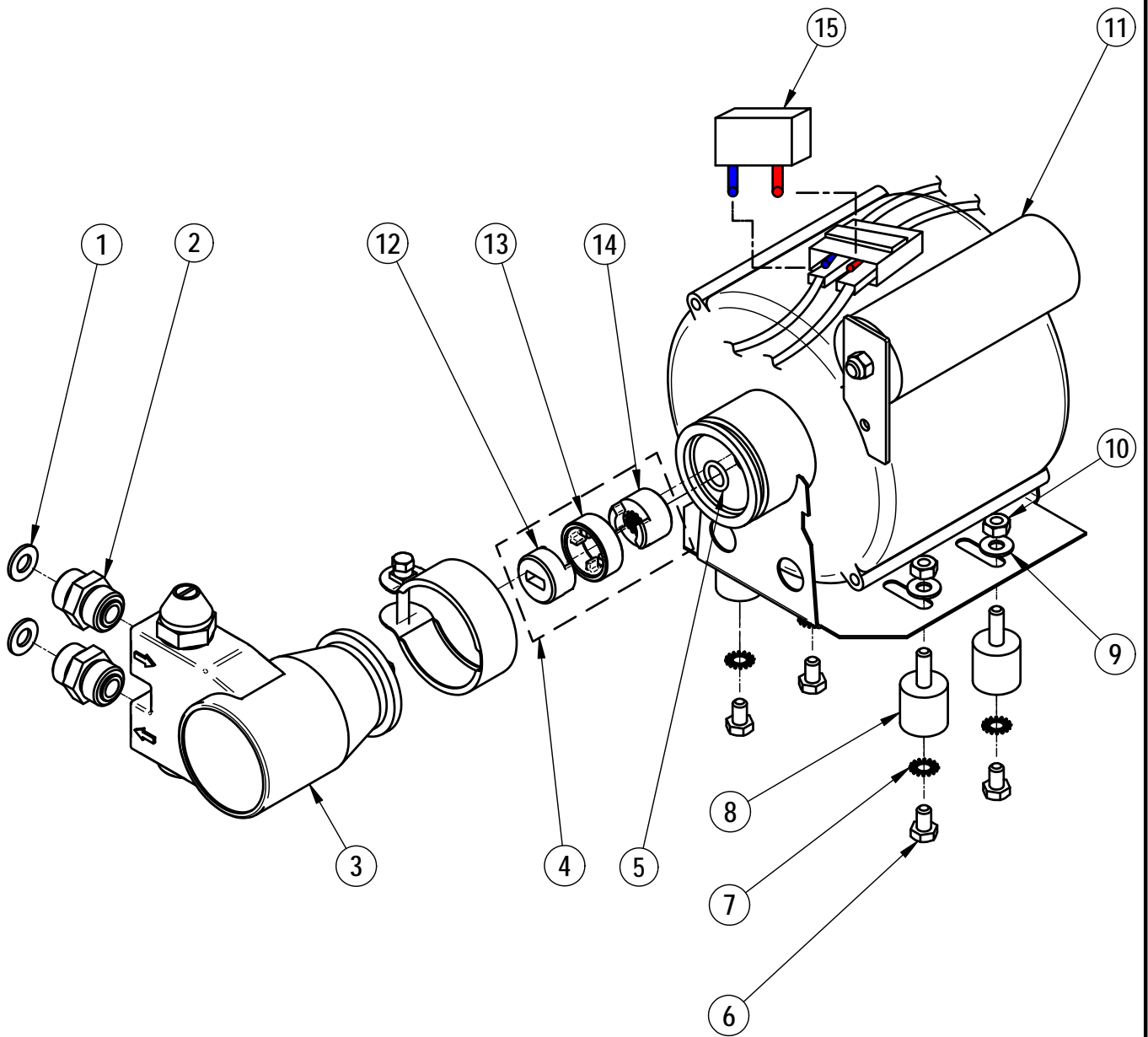
PLANCHE/PLATE : 450

REP	REF	DESIGNATION	DESIGNATION
1	CN-245R	ELECTROVANNE 2V 24V	ELECTROVALVE 2W 24V
	35510	EV 2 VOIES 24V	ELECTROVALVE 2 WAYS 24V
	CN-631R	ELECTROVANNE 2V REG 24V50-60HZ	ELECTROVALVE 2W ADJ. 24V50-60HZ
	35515	EV 2 VOIES 24V 50-60HZ	EV 2 WAYS 24V 50-60HZ
	35532	ELECTROVANNE 2V 24V N.O Ø2	ELECTROVALVE 2W 24V OPEN
2	35533	ELECTROVANNE 2V 24V N.O Ø2 NSF	ELECTROVALVE 2W 24V OPEN NSF
	35012	BOBINE 24V	SOLENOID COIL 24V
3	35521	CORPS DEPHASEUR EV 2V REGLABLE	BODY PHASE SHIFTER 2W ADJUSTABLE
	35525	CORPS DEPHASEUR EV 2V	BODY PHASE SHIFTER 2W
	35531	CORPS DEPHASEUR EV 2V N.O	BODY PHASE SHIFTER 2W N.O
4	35520	CLAPET ELECTROVANNE 2V REGLABLE	ELECTROVALVE PISTON 2W ADJUSTABLE
	35524	CLAPET ELECTROVANNE 2V	ELECTROVALVE PISTON 2W
	35534	CLAPET ELECTROVANNE 2V N.O Ø2	ELECTROVALVE PISTON 2W N.O Ø2
5	35522	ENSEMBLE VIS DE REGLAGE	SCREW KIT
6	CN-245W	ELECTROVANNE 2 V. SANS BOBINE	ELECTROVALVE 2W WITHOUT COIL
	CN-631W	ELECTROVANNE 2V REG SANS BOBINE	ELECTROVALVE 2W ADJ WITHOUT COIL
	35535	EV 2V N.O Ø2 SANS BOBINE	EV 2W Ø2 OPEN WITHOUT COIL



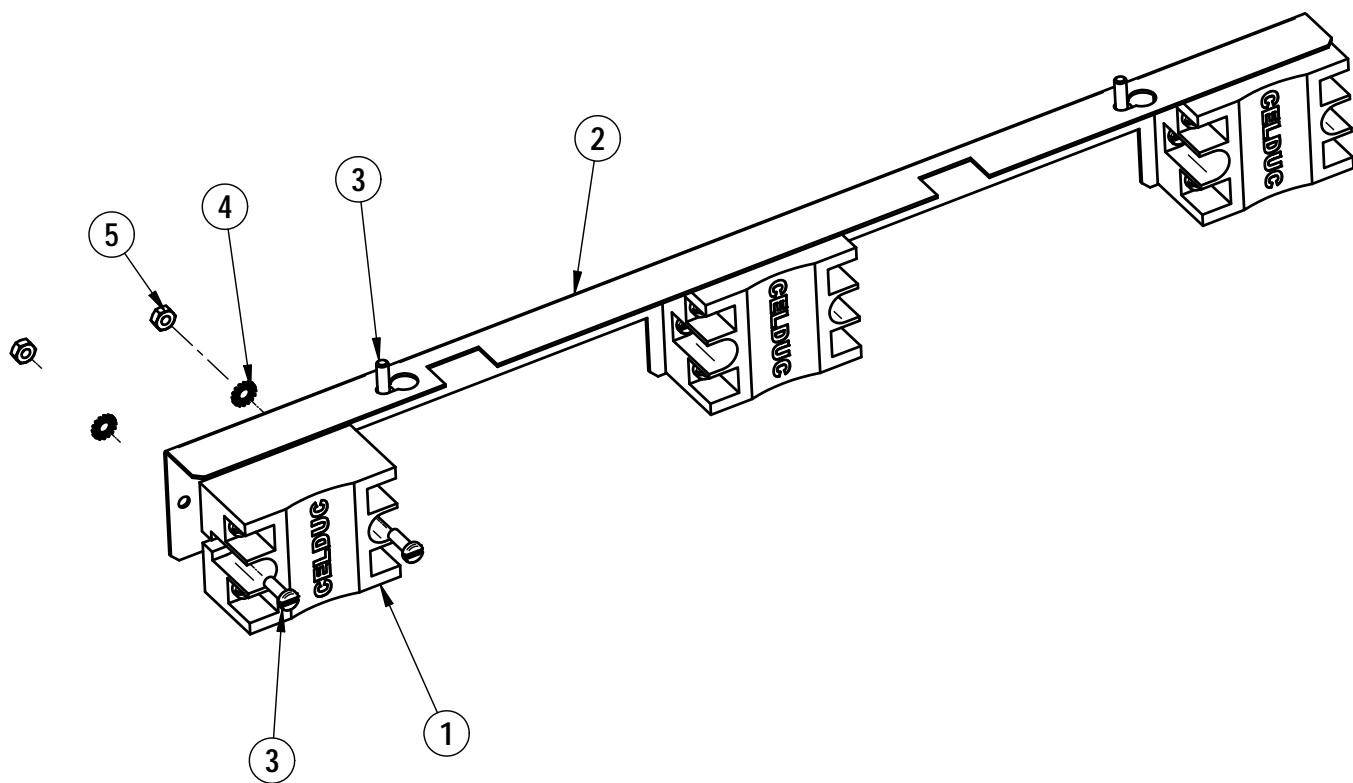
PLANCHE/PLATE : 600

REP	REF	DESIGNATION	DESIGNATION
1	CH-16	JOINT CUIVRE RECUIT 3/8	WASHER - COPPER - 3/8
2	CN-347A	RACCORD D'ALIM. 3/8 - 3/8 MM	FITTING - 3/8 X 3/8 -
2	CN-347ANI	RACCORD D'ALIM. 3/8 - 3/8 MM NSF	FITTING - 3/8 X 3/8 - NSF
3	37225	POMPE ROTATIVE 200L/H PROCON	PROCON PUMP 200L/H
3	37272	POMPE 200 L	PUMP 200 L
4	37216	KIT ACCOUPLEMENT POMPE	COUPLING KIT
5	28104	JOINT TORIQUE 2X9,5 FKM 80SH	GASKET 2X9,5
6	DO-45	VIS ACIER ZN TH 6 X 8	SCREW 6 X 8
7	CF-417	RONDELLE EVENTAIL DE 6	WASHER
8	DO-19	PLOT APB 20-20	SILENTBLOC
9	PH 32	RONDELLE PLATE 6,25 X 14 X 1,2	WASHER
10	AE-13A	ECROU INOX Hu 6-100	NUT M6
11		MOTEUR POMPE	PUMP MOTOR
A	PI-52	MOTEUR CANNELE 220V50HZ	MOTOR 220V 50HZ
B	PI-52A	MOTEUR CANNELE 220V60HZ	MOTOR 220V 60HZ
C	37245	MOTEUR CANNELE 240V 50HZ	MOTOR 240V 50HZ
D	37258	MOTEUR 240V 50HZ 120W	MOTOR 240V 50HZ 120W
12	37215	JOINT D'ACCOUPLEMENT	SLEEVE COUPLING
13	37211	AMORTISSEUR ACCOUPLEMENT	RUBBER COUPLING
14	37210	JOINT D'ACCOUPLEMENT	SLEEVE COUPLING
15	44710	FILTRE ANTIPARASITE RC	RC FILTER



PLANCHE/PLATE : 650

REP	REF	DESIGNATION	DESIGNATION
1	44410	RELAIS STATIQUE 25A	STATIC RELAY 25A
2	NZ2002	SUPPORT RELAIS STATIQUES 2GR	2 UNITS SOLID STATE RELAY HOLDER
	NZ2003	SUPPORT RELAIS STATIQUES 3GR	3 UNITS SOLID STATE RELAY HOLDER
	NZ2004	SUPPORT RELAIS STATIQUES 4GR	4 UNITS SOLID STATE RELAY HOLDER
3	DO-195	VIS ACIER INOX TC 4 X 12	SCREW M4 X 12
4	CN-343	RONDELLE EVENTAIL 4	WASHER 4
5	PG-14	ECROU M4	NUT M4



PLANCHE/PLATE : 700

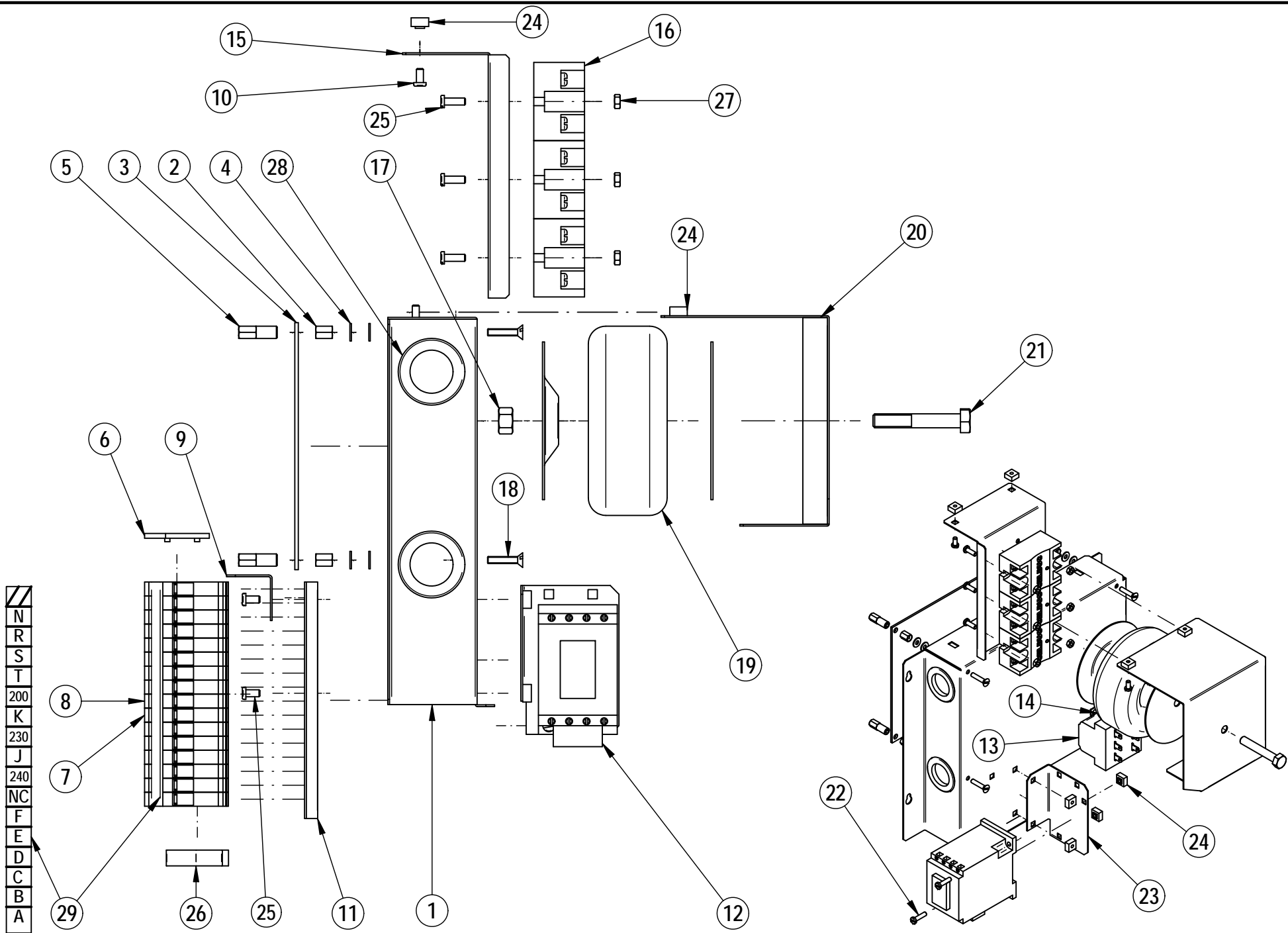
REP	REF	DESIGNATION	DESIGNATION
1	NZ2010	COFFRET ELECTRIQUE	ELECTRICAL BOX
2	CN-651	ENTRETOISE COURTE DU C.I.	SHORT SPACER FRAME
3	45360	CARTE CPU	CPU BOARD
4	CN-343	RONDELLE EVENTAIL 4	WASHER 4
5	51053	ECROU LONG M4	LONG NUT M4
6	41422	FLASQUE D'EXTREMITE	FLANGE TERMINAL BOARD
7	AE-51	BORNIER GM BLEU	TERMINAL BOARD BLUE
8	AE-50	BORNIER GM GRIS	TERMINAL BOARD GREY
9	NZ2011	EQUERRE ARRET BORNIER	BRACKET STOP
10	V-17	VIS INOX TC 4 x 8	SCREW M4 X 8
11	FR2013	RAIL	RAIL
12	43800	CONTACTEUR TETRA. 220V 25A 50HZ	CONTACTOR 220V 25A 50Hz
13	34202	THERMOSTAT SECURITE 160C TRI UL	THERMOSTAT 160C UL
14	CN-325	VIS INOX TC 4 x 6	SCREW M4 X 6
15	NZ2005	SUPPORT RELAIS	RELAY SUPPORT
16	44410	RELAIS STATIQUE 25A	SOLID STATE RELAY 25A
17	PE-12	ECROU M8	NUT M8
18	CN-124	VIS INOX TF 4 x 20	SCREW M4 X 20
19	44215	TRANSFORMATEUR TOROIDAL 230V	TRANSFORMER 200-230-240V
20	NZ2008	SUPPORT TRANSFORMATEUR	TRANSFORMER SUPPORT
21	S-11	RONDELLE ACIER CADMIE	WASHER
22	CN-189	VIS TC M4 X 16 INOX	SCREW M4 X 16
23	NZ2012	EQUERRE SUPPORT CONTACTEUR	BRACKET CONTACTOR
24	CN-661	ECROU RAPID M4 EN CAGE /1_1,6	INSERT NUT M4
25	DO-195	VIS ACIER INOX TC 4 X 12	SCREW M4 X 12
26	41423	BUTEE SANS VIS BORNIER	END TERMINAL BOARD
27	PG-14	ECROU M4	NUT M4
28	42004	PASSE FIL Ø38	GROMMET Ø38
29	46035	ETIQUETTE BORNIER STELLA	TERMINAL BOARD STICKER
	NZ8034	CABLE ALIM RELAIS STATIQUE VAPEUR	STEAM SOLID STATE RELAY SUPPLY CABLE
	NZ8035	CABLE SECURITE RESISTANCE VAPEUR	STEAM HEATING ELEMENT SAFETY
	NZ8036	CABLE RELAIS STATIQUE RESISTANCE	HEATING ELEMENT SOLID STATE RELAY
	NZ8037	CABLE RETOUR SECURITE VAPEUR	STEAM SAFETY FEEDBACK CABLE
	NZ8046	CABLE ALIMENTATION CONTACTEUR	CONTACTOR SUPPLY CABLE

09/15

TABEAU DE RACCORDEMENT ELECTRIQUE
ELECTRIC CONNECTION PANEL

JNICE

700



PLANCHE/PLATE : 710

REP	REF	DESIGNATION	DESIGNATION
1	44301	VENTILATEUR HELICOIDAL 24V	HELICAL FAN 24V
2	NZ8002	CABLE ALIMENTATION 24V BGX/BGX	24V SUPPLY BGX/BGX CABLE
3	NZ8004	CABLE LIAISON 485 CPU/BGX	LINK 485 CPU/BGX CABLE
4	NZ8006	CABLE LIAISON CPU/BTA	LINK CPU/BTA CABLE
5	NZ8011	CABLE CAPTEUR CHAUDIERE VAPEUR	STEAM BOILER SENSOR CABLE
6	NZ8012	CABLE COMMANDE POMPE 2GR	2 UNITS PUMP CABLE
	NZ8013	CABLE COMMANDE POMPE 3GR	3 UNITS PUMP CABLE
	NZ8014	CABLE COMMANDE POMPE 4GR	4 UNITS PUMP CABLE
7	NZ8020	CABLE CMD RELAIS STATIQUE VAPEUR	STEAM SOLID STATE RELAY CABLE
	NZ8022	CABLE EV REMPLISSAGE 2GR	2 UNITS EV FEEDING CABLE
	NZ8023	CABLE EV REMPLISSAGE 3GR	3 UNITS EV FEEDING CABLE
	NZ8024	CABLE EV REMPLISSAGE 4GR	4 UNITS EV FEEDING CABLE
8	NZ8033	CABLE FILTRAGE ZENNER	ZENNER FILTERING CABLE
9	NZ8038	CABLE CN9 CPU	CN9 CPU CABLE
10	NZ8039	CABLE CN8 CPU 3GR	3 UNITS CN8 CPU CABLE
	NZ8040	CABLE CN8 CPU 4GR	4 UNITS CN8 CPU CABLE

CN6 - NZ8003

CN14 - NZ8006

CN1 - NZ8022 (2G)
NZ8023 (3G)
NZ3024 (4G)

CN2 - 44301

CN12 - NZ8004

CN4 - NZ8020

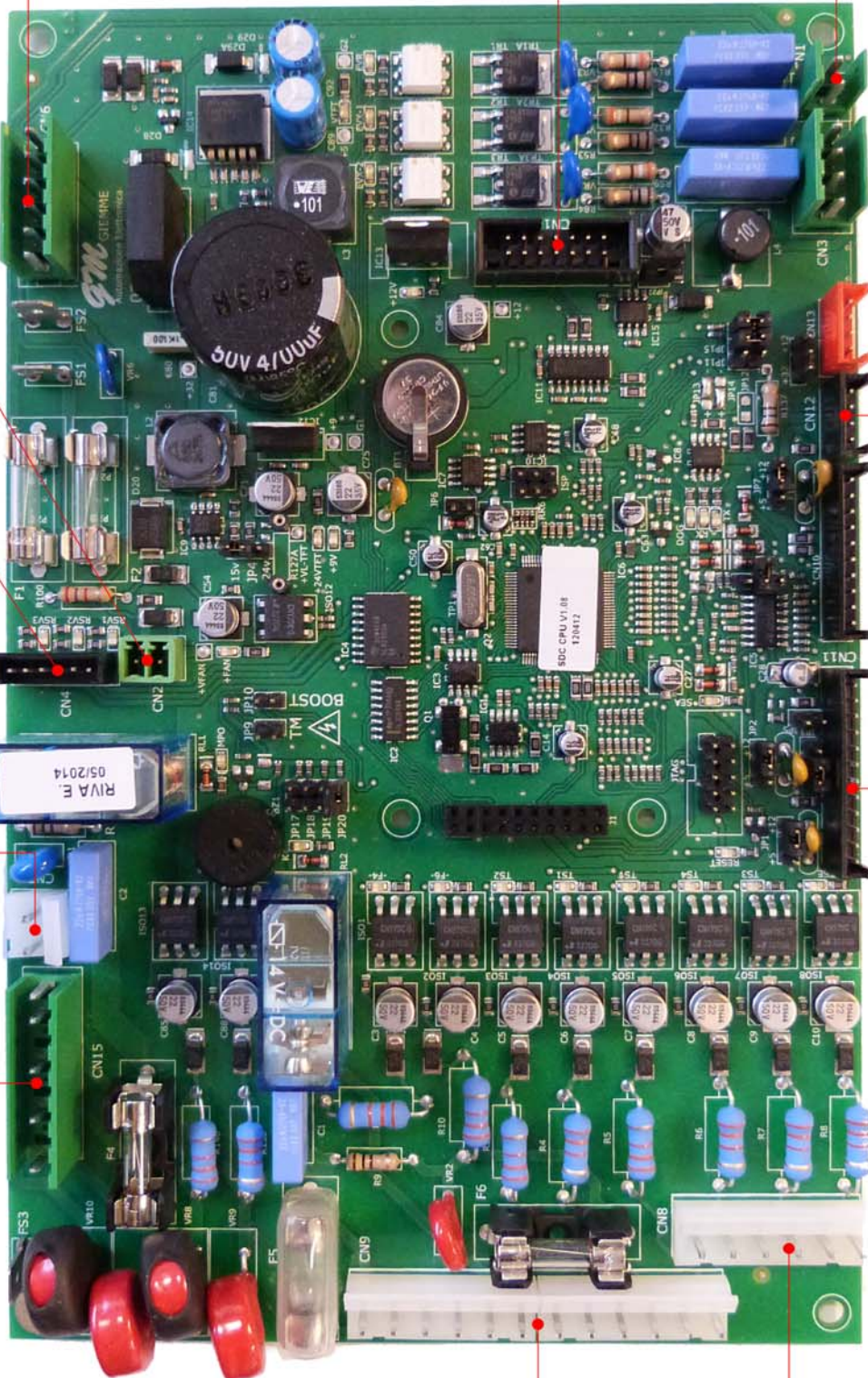
CN11 - NZ8011

CN7 - NZ8012 (2G)
NZ8013 (3G)
NZ8014 (4G)

CN15 - NZ8033

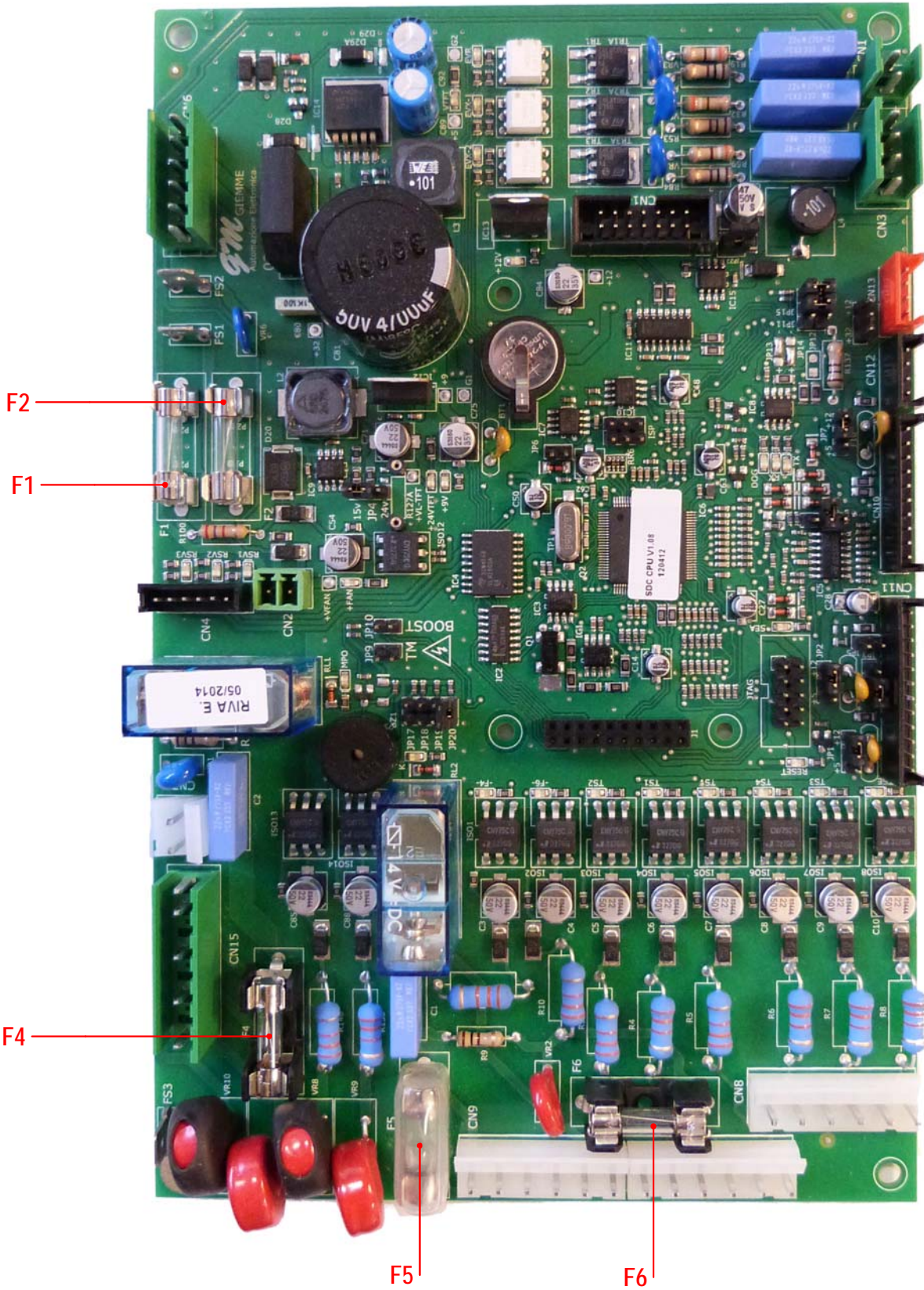
CN9 - NZ8038

CN8 - NZ8039 (3G)
NZ8040 (4G)



PLANCHE/PLATE : 720

REP	REF	DESIGNATION	DESIGNATION
F1	43113	FUSIBLE 5 X 20 1A RETARDE T	FUSE 1A DELAYED
F2	43114	FUSIBLE 5 X 20 10A RAPIDE	FUSE 10A FAST
F4	43115	FUSIBLE 5 X 20 5A RETARDE T	FUSE 5A DELAYED
F5	43116	FUSIBLE 5 X 20 2A RETARDE T	FUSE 2A DELAYED
F6	43113	FUSIBLE 5 X 20 1A RETARDE T	FUSE 1A DELAYED
	NZ1056	KIT FUSIBLES (1 DE CHAQUE)	FUSE KIT (1 OF EACH)
F1		ALIMENTATION CARTE 24V	24V BOARD SUPPLY
F2		24V BGX	BGX 24V SUPPLY
F4		POMPE 230V	230V PUMP
F5		ENTREE CARTE 230V	230V INPUT BOARD
F6		CONTACTEUR 230V	230V CONTACTOR



F1	FUSIBLE T1AL 250V	43113
F2	FUSIBLE F10AL 250V	43114
F4	FUSIBLE 5TT5A 125V	43115
F5	FUSIBLE T2AL 250V	43116
F6	FUSIBLE T1AL 250V	43113

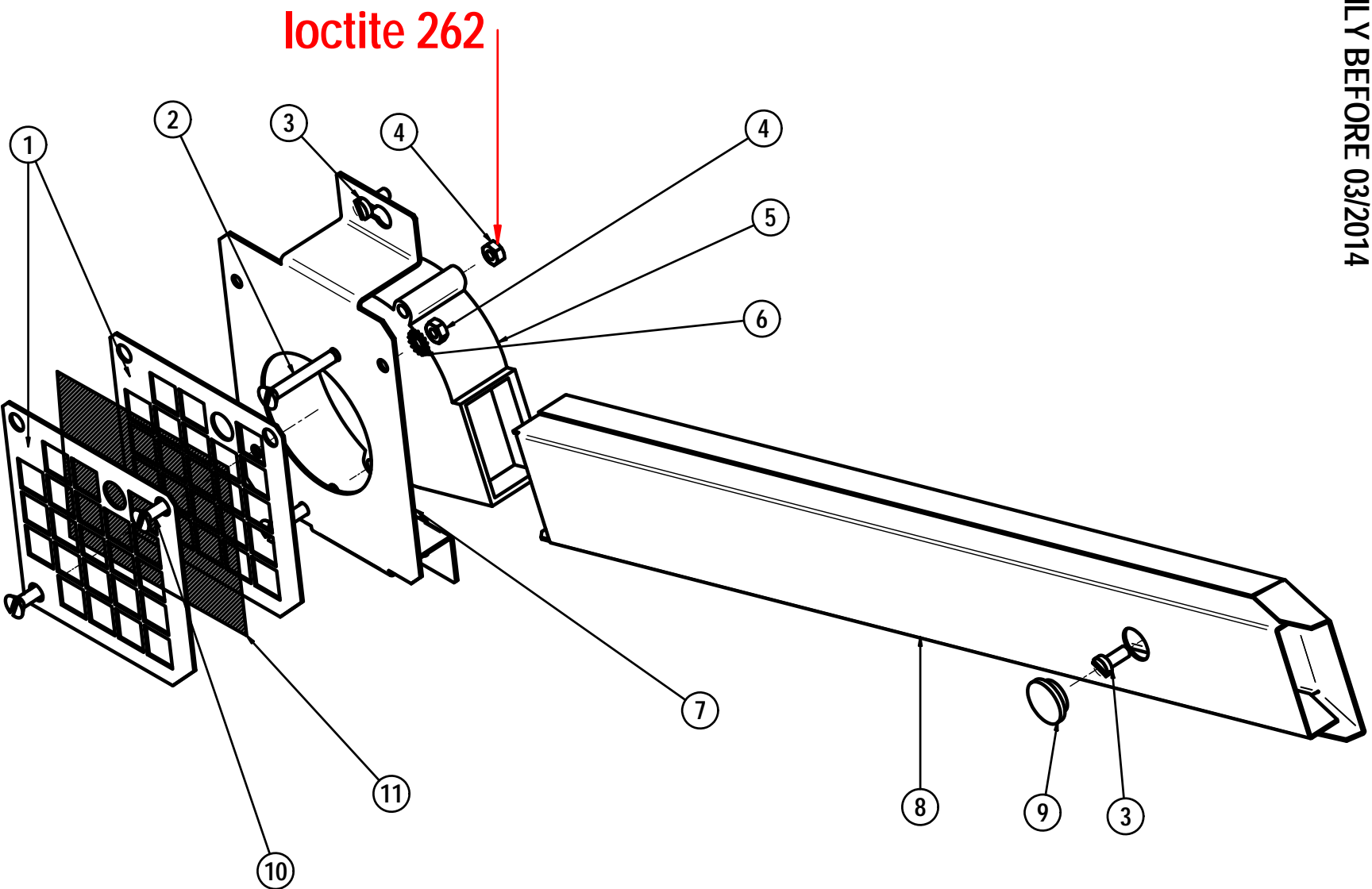
PLANCHE/PLATE : 730

JUMPER	DESIGNATION	DESIGNATION
JP1	Alimentation pressostat CPR +12V/+5V	Pressurestat supply CPR +12V / +5V
JP2	Alimentation pressostat STV +12V/+5V	Pressurestat supply STV +12V / +5V
JP3	Préparation capteur STV NTC/pressostat	Sensor preparation STV NTC / pressurestat
JP4	Alimentation rétroéclairage TFT 24V/15V	Backlight supply TFT 24V / 15V
JP5	N.U.	N.U.
JP6	N.U.	N.U.
JP7	Alimentation capteur humidité CHU +12V/+5V	Humidity sensor supply CHU +12V / +5V
JP8	Alimentation série RS232 CN13 32V/12V	Serial RS232 CN13 32V / 12V supply
JP9	Choix mono/ triphasé (pas avec V10 ou antérieur)	Mono / triphase choose (not with V10 or anterior)
JP10	Activation BOOST (pas avec V10 ou antérieur)	BOOST activation (not with V10 or anterior)
JP11	N.U.	N.U.
JP12	Terminal 485 inséré	Terminal 485 inserted
JP15-JP16	RS485 activé	RS485 activated
JP17	N.U.	N.U.
JP18	N.U.	N.U.
JP19	Insérer à l'allumage RESET DEFAULT	Insert at ignition RESET DEFAULT
JP20	Insérer DEMO MODE	Insert DEMO MODE
LED	DESIGNATION	DESIGNATION
SEA	Pressostat présence H2O	H2O presence Pressurestat
DOG	Compteur volumétrique général	General volumetric meter
K	Contacteur général	General contactor
MPO	Relais moteur pompe	Pump motor relay
F4	Présence fusible F4	Fuse F4 presence
F6	Présence fusible F6	Fuse F6 presence
TSV	Thermostat de sécurité chaudière	Boiler safety thermostat
TSE	Thermostat de sécurité chaudière externe	External boiler safety thermostat
TS1	Thermostat de sécurité groupe 1	Safety thermostat group 1
TS2	Thermostat de sécurité groupe 2	Safety thermostat group 2
TS3	Thermostat de sécurité groupe 3	Safety thermostat group 3
TS4	Thermostat de sécurité groupe 4	Safety thermostat group 4
EVX-2	Electrovanne Aux. 2	Auxiliary 2 electrovalve
EVX-1	Electrovanne Aux. 1	Auxiliary 1 electrovalve
EVR	Electrovanne remplissage chaudière	Boiler filling electrovalve
+9V	Régulateur 9V	9V regulator
+12V	Régulateur 12V	12V regulator
VTFT	Régulateur commutation 5V pour TFT	5V switching regulator for TFT
+24VTFT	Alimentation rétroéclairage écran TFT	TFT backlight supply
RX	Signal réception RS485	Signal reception RS485
TX	Signal transmission RS485	Signal transmission RS485
RSV1	Résistance 1 chaudière	Boiler heating element 1
RSV2	Résistance 2 chaudière	Boiler heating element 2
RSV3	Résistance 3 chaudière	Boiler heating element 3
RESET	ON si carte en fonction	ON when board operating

PLANCHE/PLATE : 740

REP	REF	DESIGNATION	DESIGNATION
1	44304	GRILLE INOX	INOX GRILL
2	ID-38	VIS INOX TF 4 x 30	SCREW M4 X 30
3	RO-13	VIS INOX TC 4 x 10	SCREW M4 X 10 -
4	PG-14	ECROU M4	NUT M4
5	44301	VENTILATEUR HELICOIDAL 24V	HELICAL FAN 24V
6	CN-343	RONDELLE EVENTAIL 4	WASHER 4
7	NZ2015	SUPPORT VENTILATEUR	FAN SUPPORT
8	NZ2016	GOULOTTE VENTILATEUR	DUCT FAN
9	ED-118	BOUCHON PLASTIQUE	CAP
10	CN-23	VIS INOX TF 4 x 12	SCREW M4X12 CSH
11	44302	ELEMENT FILTRANT + TAMIS	FILTER ELEMENT

SEULEMENT AVANT 03/2014
ONLY BEFORE 03/2014



04/14

SYSTEME VENTILATION
VENTILATION SYSTEM

UNICE

740

PLANCHE/PLATE : 800

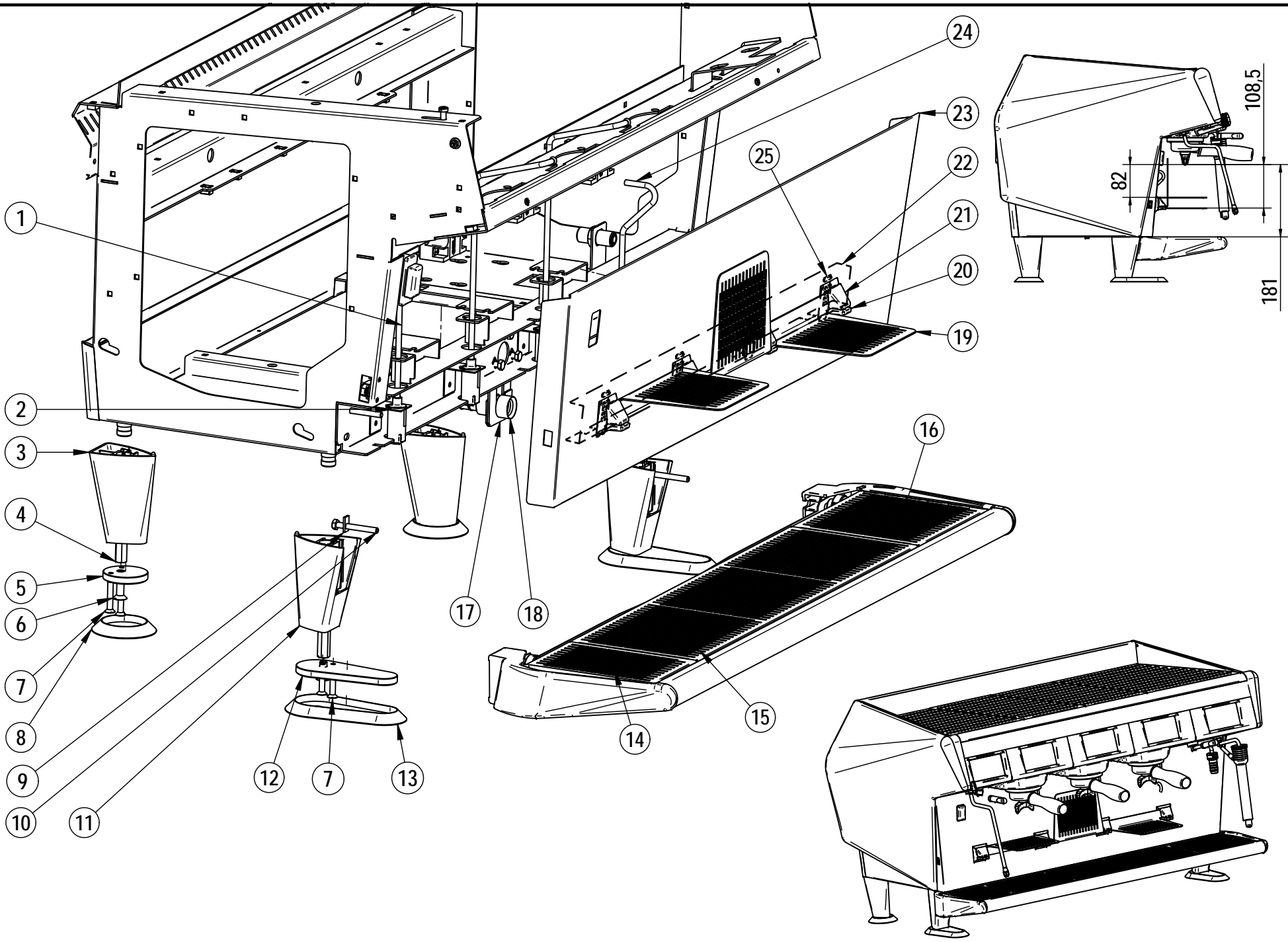
REP	REF	DESIGNATION	DESIGNATION
1	NZ6001	TUBE DECOMPRESSION V+	DECOMPRESSION V+ PIPE
2	NZ2006	SUPPORT DECOMPRESSION V+	EV DISCHARGE SUPPORT FOR V+
3	NZ7020	PIED ARRIERE	REAR FOOT
4	NZ4020	COLONETTE PIED HAUT	SPACER
5	NZ4024	EMBASE PIED ARRIERE	REAR FOOT BASE
6	50408	VIS TF M8X20	SCREW M8X20
7	50300	VIS TF M6X35 INOX	SCREW M6X25 STAINLESS STEEL
8	NZ7024	PATIN PIED ARRIERE	REAR RUBBER FOOT
9	NZ2019	ENTRETOISE VIS BASSINE	SCREW SPACER
10	50307	VIS TH M6 X 50	SCREW M6 X 50
11	NZ7022	PIED AVANT	FRONT FOOT
12	NZ4025	EMBASE PIED AVANT	FRONT FOOT BASE
13	NZ7023	PATIN PIED AVANT	FRONT RUBBER FOOT
14	NZ2054	GRILLE DE BASSINE GAUCHE	LEFT OVERFLOW TRAY GRID
15	NZ2026	GRILLE DE BASSINE 2GR	2 UNITS OVERFLOW TRAY GRID
15	NZ2036	GRILLE DE BASSINE 3GR	3 UNITS OVERFLOW TRAY GRID
15	NZ2046	GRILLE DE BASSINE 4GR	4 UNITS OVERFLOW TRAY GRID
16	NZ2055	GRILLE DE BASSINE DROITE	RIGHT OVERFLOW TRAY GRID
17	NZ2018	SUPPORT VIDANGE	DRAIN SUPPORT
18	NZ4005	TUBE VIDANGE	DRAIN PIPE
19	NZ3065	TABLETTE REPOSE TASSES	SHELF FOR CUPS
20	NZ3067	SUPPORT TABLETTE	SHELF SUPPORT
21	NZ3066	COIN BLOCAGE TABLETTE	LOCKING WEDGE
22	NZ3072	RENFORT DEVANT EXPORT 2GR	FRONT CASING 2 UNITS REINFORCEMENT
22	NZ3073	RENFORT DEVANT EXPORT 3GR	FRONT CASING 3 UNITS REINFORCEMENT
22	NZ3074	RENFORT DEVANT EXPORT 4GR	FRONT CASING 4 UNITS REINFORCEMENT
23	NZ3025	DEVANT 2GR V+	FRONT CASING 2 UNITS V+
23	NZ3035	DEVANT 3GR V+	FRONT CASING 3 UNITS V+
23	NZ3045	DEVANT 4GR V+	FRONT CASING 4 UNITS V+
24	NZ6016	TUBE EVACUATION SOUPAPE HP (V+)	HP VALVE DRAIN TUBE (V+)
25	NZ3071	SUPPORT ECROU CAGE	NUT HOLDER

06/15

STELLA VERSION V+

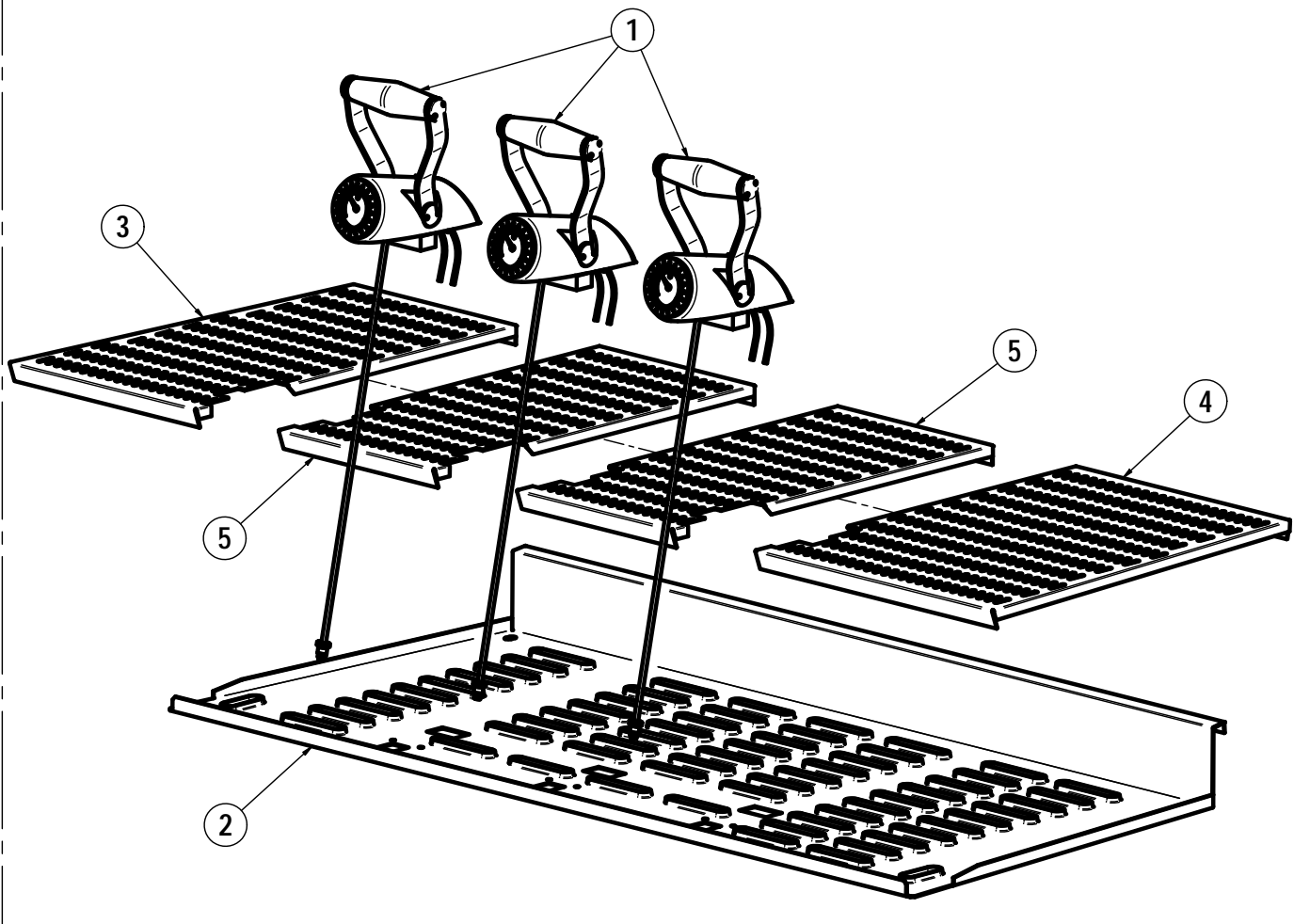


800

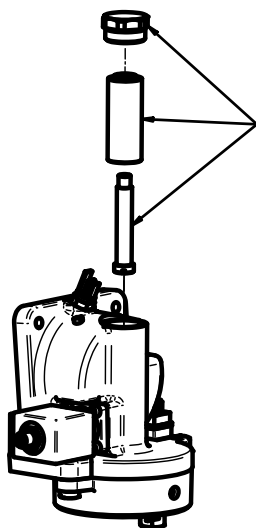


PLANCHE/PLATE : 810

REP	REF	DESIGNATION	DESIGNATION
1	NZ1007	DOUBLE COMMANDE	DUAL COMMAND
2	NZ3055	CHAUFFE TASSES 2GR D-C	DUAL COM. CUP WARMER 2 UNITS
	NZ3056	CHAUFFE TASSES 3GR D-C	DUAL COM. CUP WARMER 3 UNITS
	NZ3057	CHAUFFE TASSES 4GR D-C	DUAL COM. CUP WARMER 4 UNITS
3	NZ3010	VERRIERE GAUCHE D-C	LEFT CUP RACK DUAL COM.
4	NZ3011	VERRIERE DROITE D-C	RIGHT CUP RACK DUAL COM.
5	NZ3012	VERRIERE MODULE D-C	MIDDLE CUP RACK DUAL COM.
6	NZ1037	KIT DOUBLE COMMANDE 2GR	DUAL COMMAND 2 UNITS KIT
	NZ1038	KIT DOUBLE COMMANDE 3GR	DUAL COMMAND 3 UNITS KIT
	NZ1039	KIT DOUBLE COMMANDE 4GR	DUAL COMMAND 4 UNITS KIT



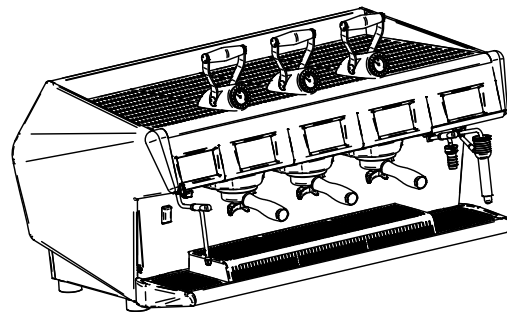
Sur chaque Groupe / For each group



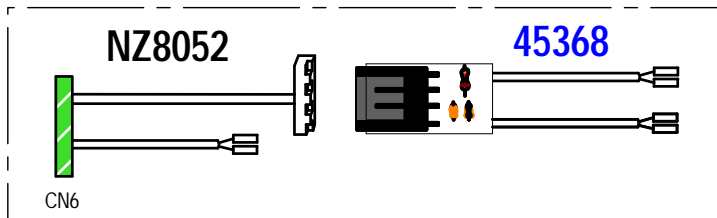
Pièces à remplacer et
fournies avec le kit NZ1007

Parts to be replaced and
supplied with the kit
NZ1007

6



Connection électrique par groupe
Electric connexion per group



NOTA :

- * Machine à partir de la Version 1.05
- * Machine équipée d'une électrovanne de préinfusion
- * Machine sans le dispositif DOSAMAT

NOTA :

- * Machine from the version 1.05
- * Machine equipped with preinfusion E.V
- * Machine without DOSAMAT system

11/2013

KIT DOUBLE COMMANDE
DUAL COMMAND LEVER KIT

UNIC

810

PLANCHE/PLATE : 820

REP	REF	DESIGNATION	DESIGNATION
1	NZ7031	POIGNEE	HANDLE
2	NZ4031	LEVIER DROIT	RIGHT LEVER
3	NZ4030	LEVIER GAUCHE	LEFT LEVER
4	NZ4029	VIS SPE AXE LEVIER	LEVER SCREW
5	50301	VIS TC M6X50 INOX	SCREW M6X50 STAINLESS STEEL
6	NZ4028	SUPPORT DOUBLE COMMANDE	DUAL COMMAND HOLDER
7	NZ4038	RACCORD COUDE	ANGLED CONNECTION
8	27100	MANOMETRE	MANOMETER
9	NZ6027	TUBE MANO D-C	MANOMETER TUBE
10	NZ4039	RACCORD MANO DC	MANOMETER CONNEXION
11	52610	COUSSINET XFM 10-12-9	BEARING 10-12-9
12	NZ4033	CAME	CAM
13	NZ4032	AXE LEVIER	LEVER PIN
14	PC-38	VIS STHC M5X8 BOUT POINTU	POINT END SCREW
15	NZ4036	RESSORT DE RAPPEL	RETURN SPRING
16	CN-1049	BILLE INOX DIAMETRE 8mm	STAINLESS STEEL BALL _ 8mm
17	NZ4037	GUIDE BILLE	BALL GUIDE
18	PA-50	RESSORT INOX 33.5 - 8/10	STAINLESS STEEL SPRING
19	NZ4034	SUPPORT MICRORUPTEUR	MICROSWITCH SUPPORT
20	50120	VIS TC M4X35 INOX	S.STEEL SCREW M4X35
21	NZ4035	CALE FIXATION	BIDING BLOCK
22	MI-80	VIS TCHC M4x12 INOX	SCREW M4 X 12
23	PG-15B	RONDELLE INOX 4.2X10X0.8	WASHER
24	CN-104	VIS INOX TC 3 x 12	SCREW M3 x 12 STAINLESS STEEL
25	CN-642	MINIRUPTEUR F=300GR FLASHE OR	MICROSWITCH
26	CN-620	LEVIER AV.RESSORT 161E r=24,1	LEVER WITH CASTOR
27	45368	CABLE MODULE DOUBLE COMMANDE	DUAL COMMAND CABLE
27	NZ8052	CABLE BGX / DOUBLE COMMANDE	BGX / DUAL COMMAND CABLE
28	21421	INSERT DIA:2.6	SLEEVE DIA:2.6
29	21420	BICONE DIA:4.5	NIPPLE DIA:4.5
30	21360	ECROU M8 X 100	NUT M8 X 100
31	TC-80	JOINT TORIQUE 1,78X2,90 FKM	GASKET 1.78X2.90 FKM
32	12734	TUBE PTFE DIA:4	PIPE PTFE DIA:4

Connection électrique par groupe
Electric connexion per group

LEVIER DE COMMANDE
COMMAND LEVER

NZ1006

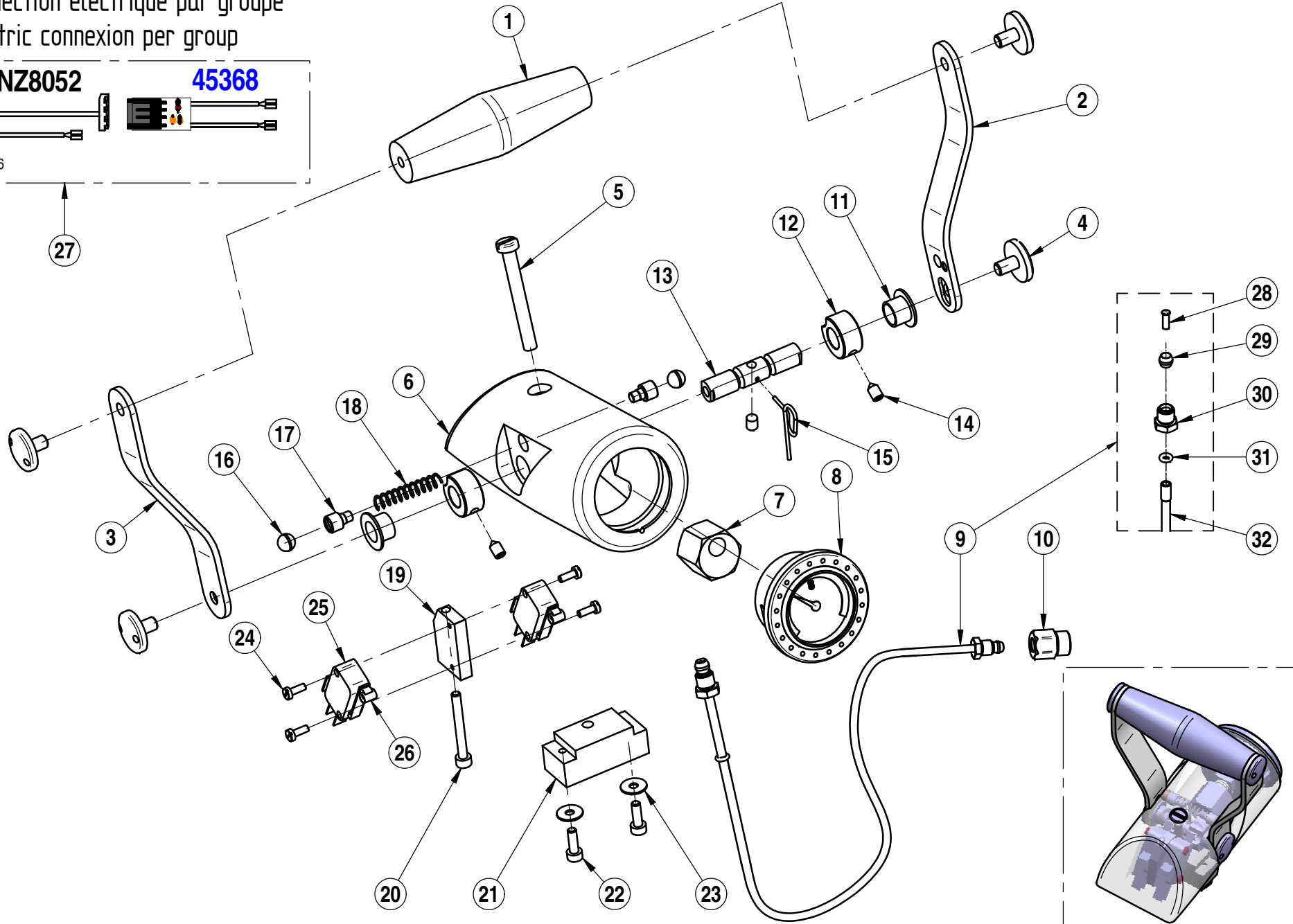
JNICE

820

NZ8052

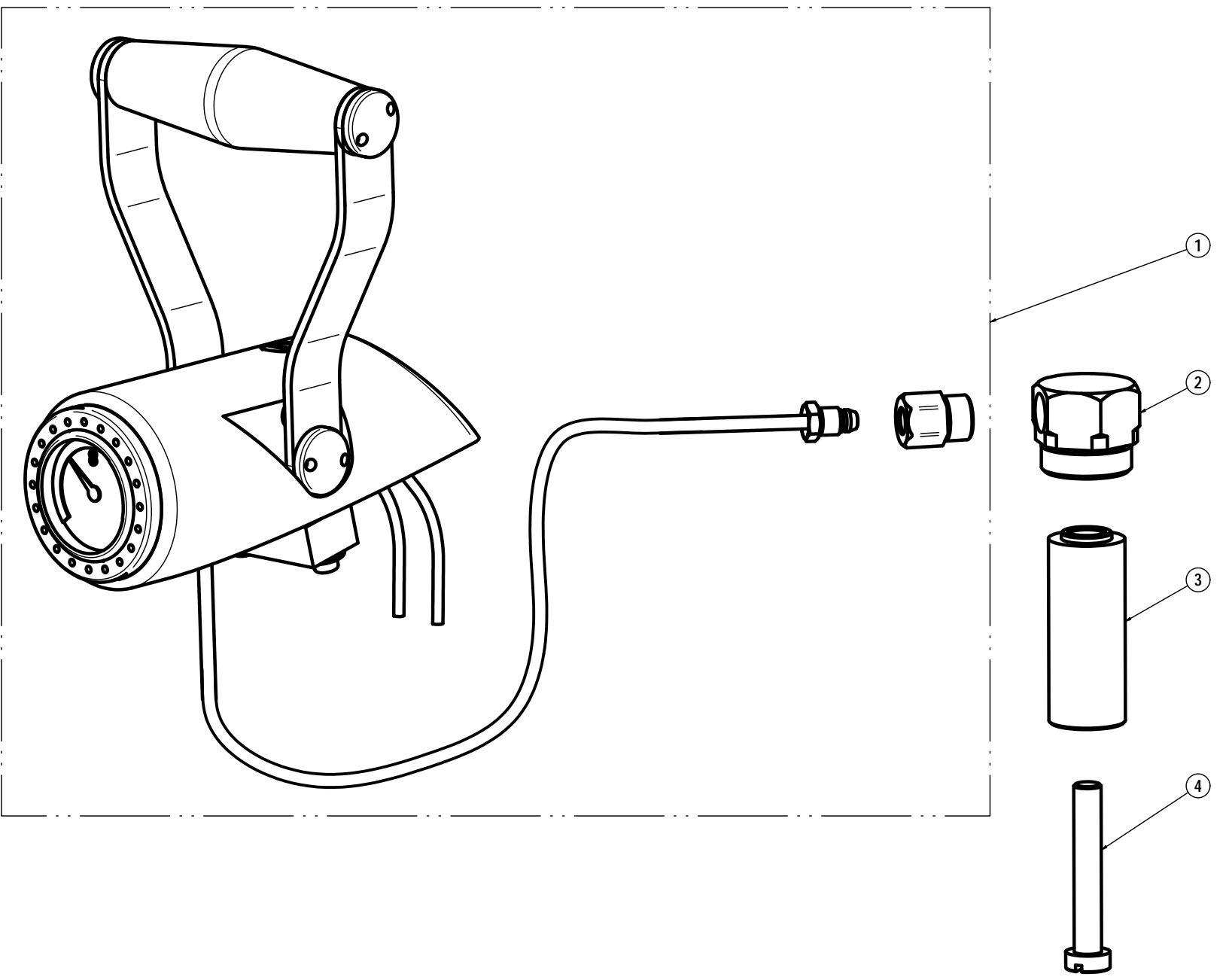
45368

CN6



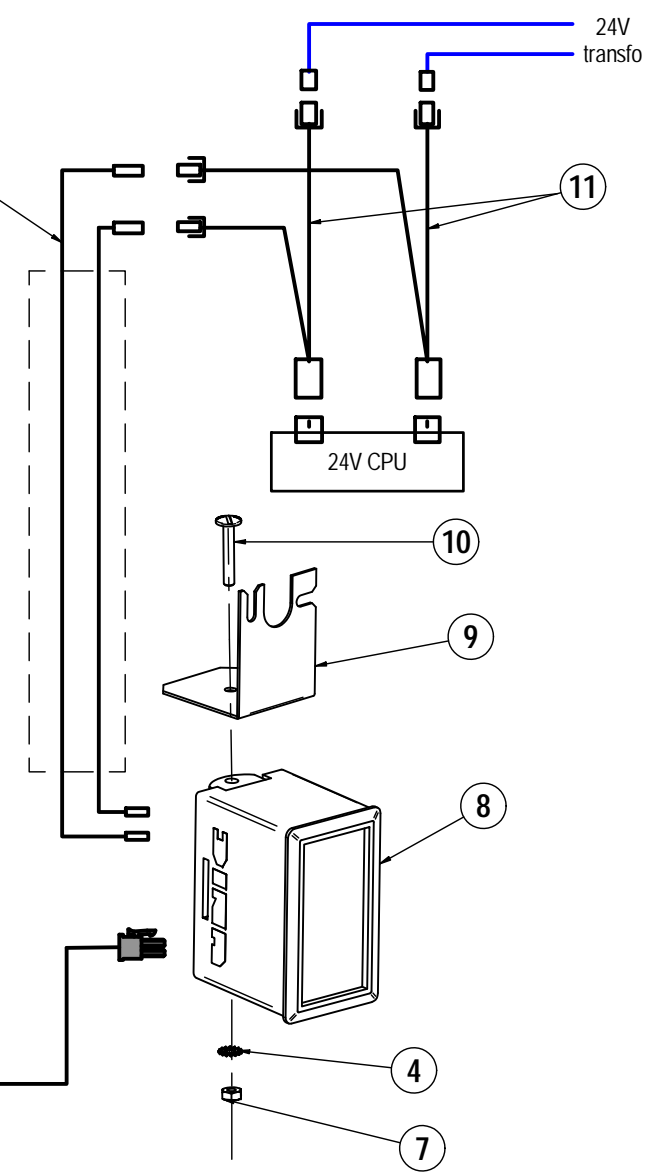
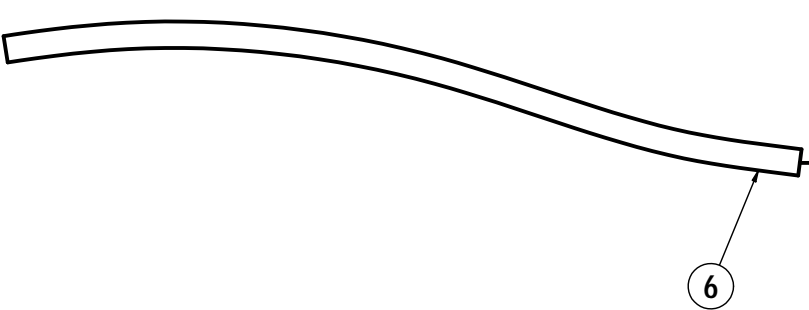
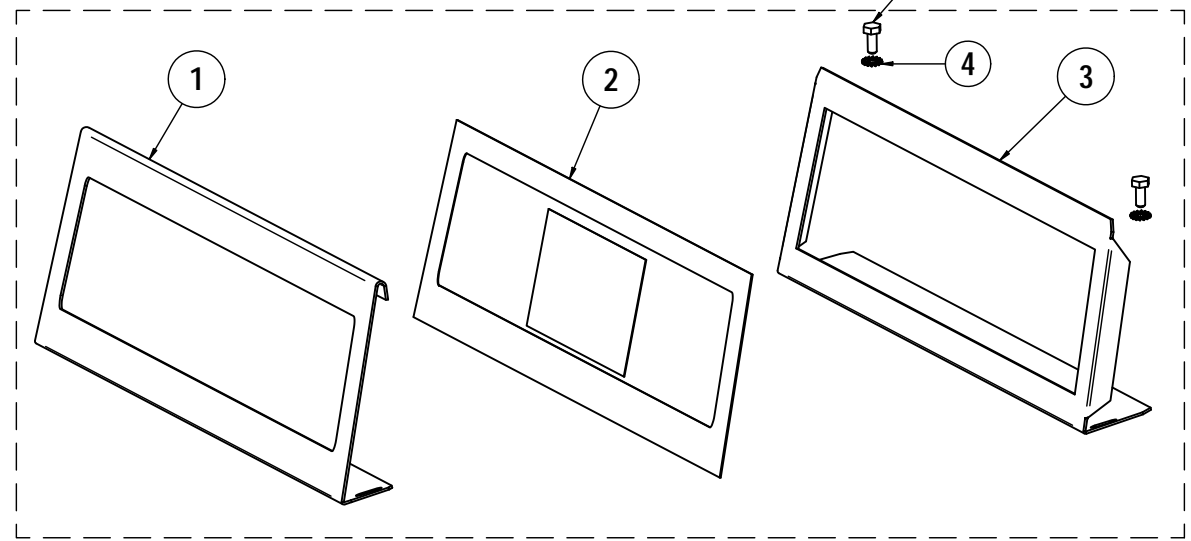
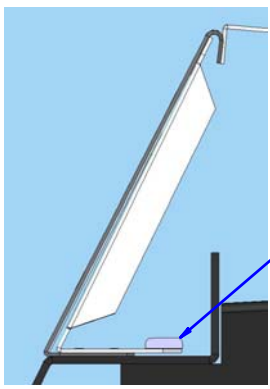
PLANCHE/PLATE : 830

REP	REF	DESIGNATION	DESIGNATION
1	NZ1006	LEVIER DE COMMANDE	COMMAND LEVER
2	NZ4015	BOUCHON GROUPE CAPTEUR	SENSOR UNIT CAP
3	NZ4010	ENTRETOISE POU MON	CHAMBER SPACER
4	NZ4016	VIS POU MON GR STELLA	CHAMBER SCREW



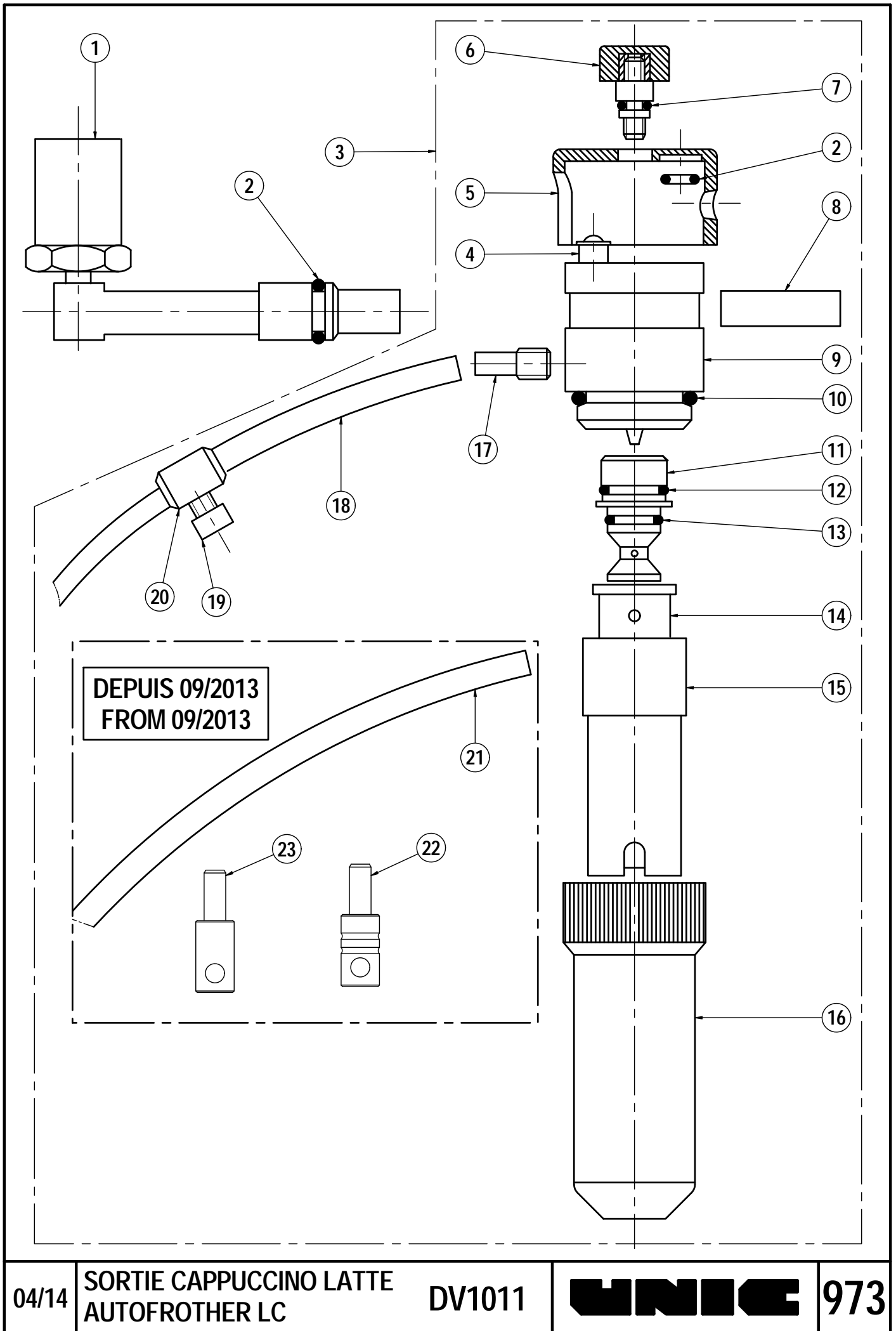
PLANCHE/PLATE : 850

REP	REF	DESIGNATION	DESIGNATION
1	NZ3027	ARRIERE CHAUFFE TASSES 2GR BANDEAU	CUP WARMER BACK 2 UNITS STRIP
	NZ3037	ARRIERE CHAUFFE TASSES 3GR BANDEAU	CUP WARMER BACK 3 UNITS STRIP
	NZ3047	ARRIERE CHAUFFE TASSES 4GR BANDEAU	CUP WARMER BACK 4 UNITS STRIP
2	46202	BANDEAU AR PERSONNALISABLE 2GR	2 UNITS CUSTOMIZABLE REAR STRIP
	46203	BANDEAU AR PERSONNALISABLE 3GR	3 UNITS CUSTOMIZABLE REAR STRIP
	46204	BANDEAU AR PERSONNALISABLE 4GR	4 UNITS CUSTOMIZABLE REAR STRIP
3	NZ3058	TOLE SANDWICH BANDEAU AR 2GR	REAR SANDWICH PLATE 2 UNITS
	NZ3059	TOLE SANDWICH BANDEAU AR 3GR	REAR SANDWICH PLATE 3 UNITS
	NZ3060	TOLE SANDWICH BANDEAU AR 4GR	REAR SANDWICH PLATE 4 UNITS
4	CN-343	RONDELLE EVENTAIL 4	WASHER 4
5	DV-44	VIS TH M4X10 ACIER	SCREW M4x10
6	NZ8026	RUBAN LED AR 2GR	REAR LED STRIP 2 UNITS
	NZ8027	RUBAN LED AR 3GR	REAR LED STRIP 3 UNITS
	NZ8028	RUBAN LED AR 4GR	REAR LED STRIP 4 UNITS
7	PG-14	ECROU M4	NUT M4
8	45038	BOITIER DE CONTRÔLE LED RGB	ELECTONIC BOX FOR LED RGB
9	NZ2066	SUPPORT BOITIER ALIM	CONTROL BOX HOLDER
10	50100	VIS TC M4 X 25	SCREW M4 X 25
11	DV8021	Câble pont	Bridge cable
12	TG8002	CABLE ALIM 24V LED RBG	24V LED RGB SUPPLY CABLE
	NZ1046	KIT BANDEAU AR 2GR	REAR STRIP 2 UNITS KIT
	NZ1047	KIT BANDEAU AR 3GR	REAR STRIP 3 UNITS KIT
	NZ1048	KIT BANDEAU AR 4GR	REAR STRIP 4 UNITS KIT



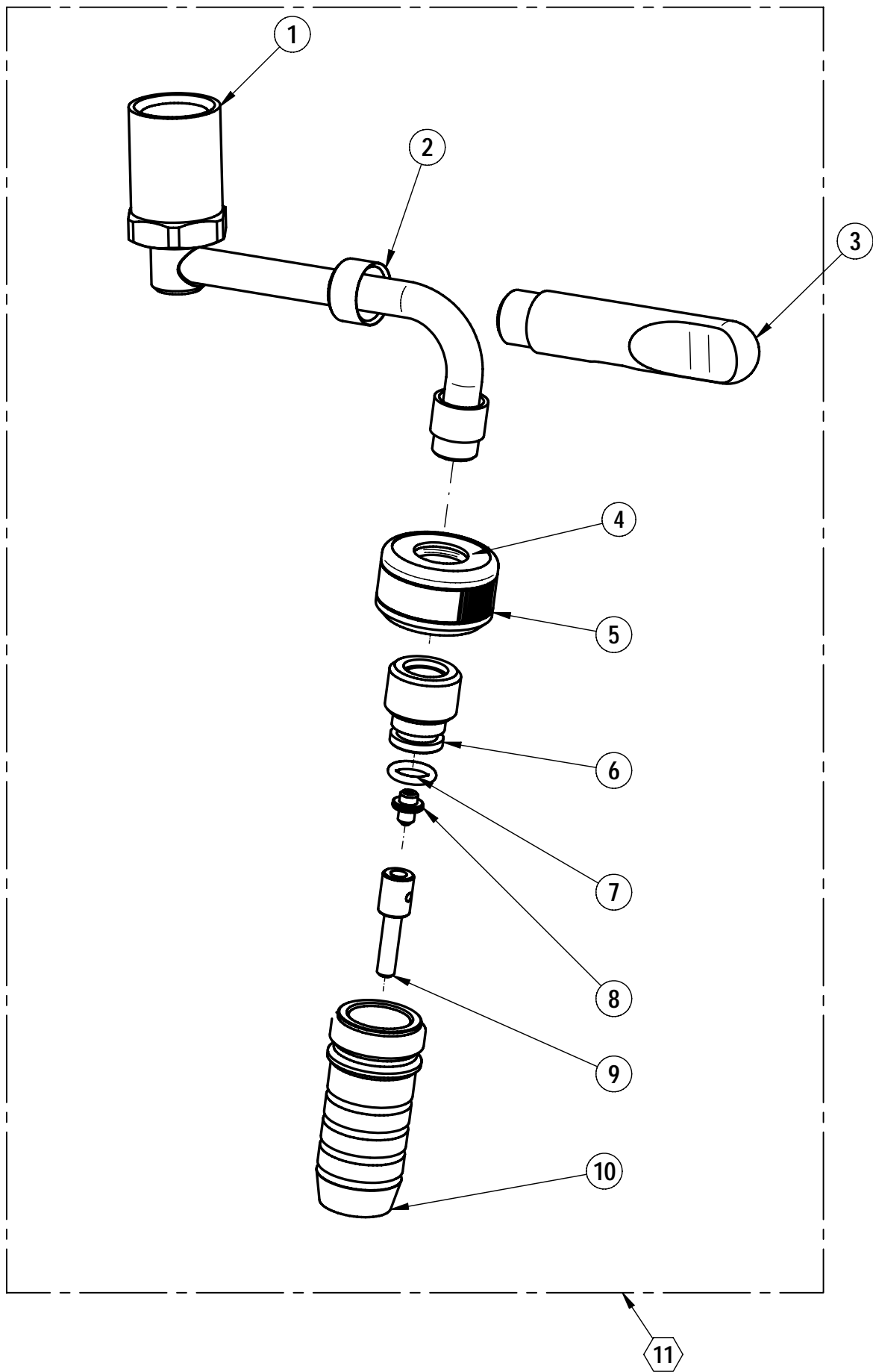
PLANCHE/PLATE : 973

REP	REF	DESIGNATION	DESIGNATION
1	DV6040	TUBE CUIVRE LC	LC COPPER PIPE
2	NA-47	JOINT TORIQUE 1.78X7.66 EPDM	O RING - 1.78 X 7.66 EPDM
3	26170	SORTIE CAPPUCINATORE LC	LC CAPPUCINATORE OUTLET
4	RO-58	POUSOIR A BILLE	THRUST BALL BEARING
5	26172	MANETTE	LEVER
6	26179	VIS M4 COMPLET	WHOLE M4 SCREW
7	TC-80	JOINT TORIQUE 1,78X2,90 FKM	GASKET 1.78X2.90 FKM
8	45930	ETIQUETTE LC	LC STICKER
9	26180	CORPS COMPLET	WHOLE BODY
10	PH-17	JOINT TORIQUE 2,62X20,63 EPDM	GASKET 20,63 X 2,62
11	26174	MELANGEUR	MIXER
12	CN-2850	JOINT TORIQUE 1,78X10,82	GASKET 10.82x1.78
13	27715	JOINT TORIQUE 1,78X8,73 SILICONE	GASKET 8,73 X 1,78
14	26149	MOUSSEUR	FROTHER
15	26148	BRISE JET	ANTI PLASH PLUG
16	26171	BEC VERSEUR	SPOUT
17	26175	EMBOUT M6	M6 NOZZLE
18	12702	TUBE SILICONE 3 X 6	SILICONE PIPE 3X 6
19	50202	VIS TCHc M5x8 INOX	SCREW M5 X 8
20	26136	ANNEAU DE REGULATION	REGULATION RING
21	12708	TUBE SILICONE CAPPUCINATORE L	CAPPUCINATORE SILICON PIPE
22	26151	REDUCTEUR CAPPUCINATORE D1.7	CAPPUCINATORE REDUCER D1.7
23	26152	REDUCTEUR CAPPUCINATORE D2	CAPPUCINATORE REDUCER D2
24	26124	GOUPILLON NETTOYAGE	CLEANING BRUSH



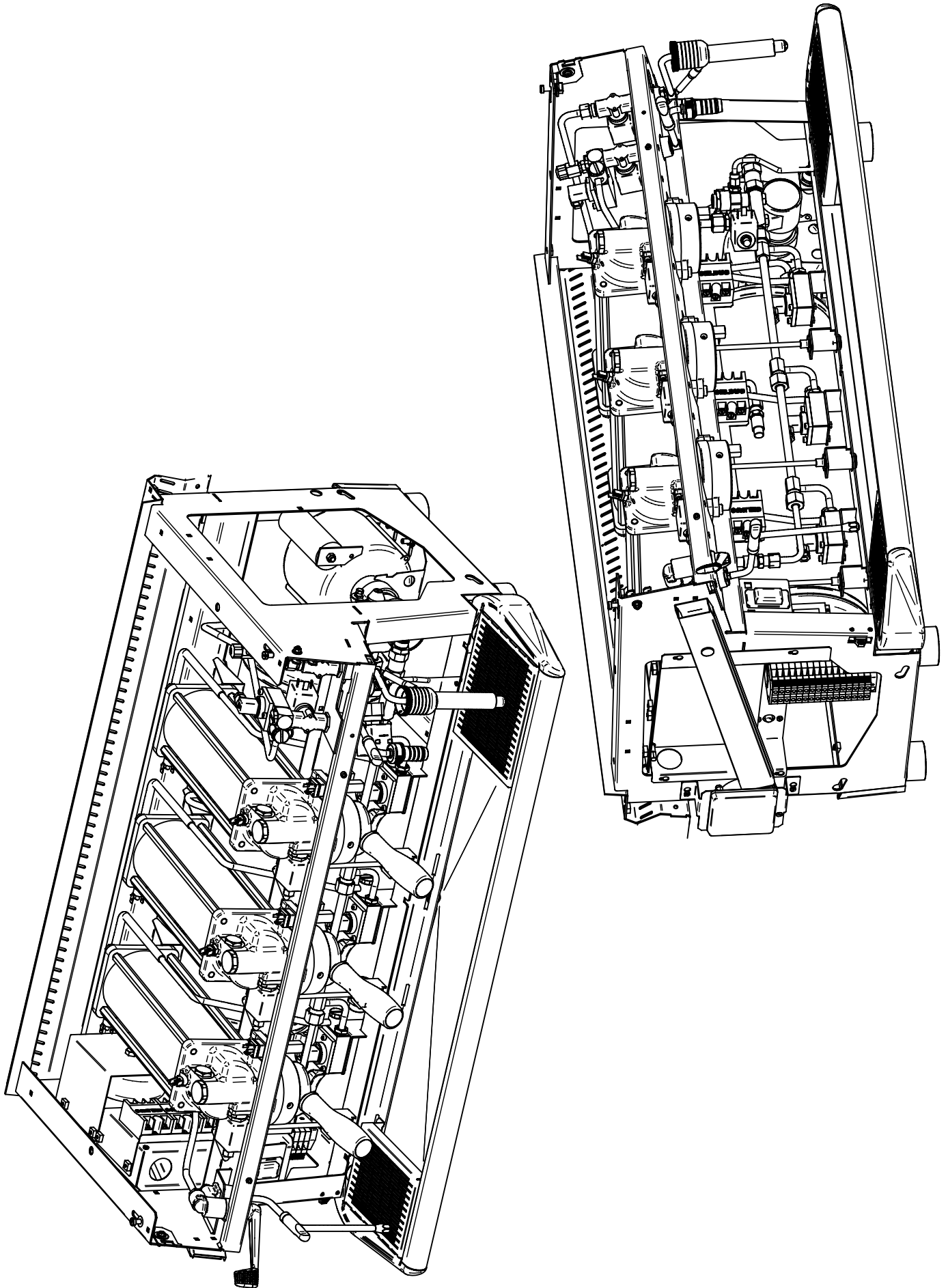
PLANCHE/PLATE : 983

REP	REF	DESIGNATION	DESIGNATION
1	DV6061	TUBE SORTIE EAU CHAUDE	HOT WATER OUTLET PIPE
2	25911	BAGUE POUR POIGNEE EAU ET VAPEUR	WATER AND STEAM HANDLE COLLAR
3	25910	POIGNEE SORTIE EAU CHAUDE ET VAPEUR	HOT WATER AND STEAM OUTLET HANDLE
4	46028	AUTOCOLLANT SORTIES REGLABLES	ADJUSTABLE OUTLET STICKER
5	25710	MOLETTE POUR SORTIE DEBIT REGLABLE	ADJUSTABLE OUTLET TOOTHED WHEEL
6	25708	RACCORD SORTIE DEBIT REGLABLE	ADJUSTABLE OUTLET FITTING
7	CN-436	JOINT TORIQUE 1,78X8,73 EPDM	GASKET 8,73 X 1,78
8	23119	GICLEUR DIAM:0,9	GICLUER DIAM. 0.9
9	23118	SUPPORT GICLEUR SORTIE EAU CHAUDE	HOT WATER GICLUER SUPPORT
	23118NI	SUPPORT GICLEUR SORTIE EAU CHAUDE NSF	HOT WATER GICLUER SUPPORT NSF
10	25712	EMBOUT EAU CHAUDE DEBIT REGLABLE	ADJUSTABLE HOT WATER SPOUT
11	DV1024	SORTIE EAU CHAUDE REGLABLE	ADJUSTABLE HOT WATER OUTLET
	DV1024NI	SORTIE EAU CHAUDE REGLABLE NSF	ADJUSTABLE HOT WATER OUTLET NSF



REF	DESIGNATION	EMPLACEMENT	CONNECTEUR	NB PINS	N° PINS	TENSION	
NZ8000	CABLE EV CAFE RS DO GROUPE	BGX	CN5	10	1	GND	BASSE TENSION
					2	DOX	
					3	12V -	
					4	N.U.	
					5	RSX -	
					6	RSX +	
					7	N.U.	
					8	N.U.	
					9	EVX	
					10	EVX	
NZ8001	SONDE STEAMAIR	BST	CN1	6	1	N.U.	BASSE TENSION
					2	STX +	
					3	STX -	
					4	GND	
					5	N.U.	
					6	STS+	
NZ8002	CABLE ALIMENTATION 24V BGX/BGX	BGX	CN7	6	1	GND	BASSE TENSION
		BGX	CN8		2	GND	
					3	24V AC2	
					4	24V AC2	
					5	24V AC1	
					6	24V AC1	
NZ8003	CABLE ALIMENTATION 24V CPU/BGX	CPU	CN6	6	1	GND	BASSE TENSION
		BGX	CN7		2	GND	
					3	24V AC2	
					4	24V AC2	
					5	24V AC1	
					6	24V AC1	
NZ8004	CABLE LIAISON 485 CPU/BGX	CPU	CN12	4	1	A-485	BASSE TENSION
		BGX	CN2		2	B-485	
					3	GND-485	
					4	GND-485	
NZ8005	CABLE LIAISON 485 BGX/BGX	BGX	CN2	4	1	A-485	BASSE TENSION
		BGX	CN3		2	B-485	
					3	GND-485	
					4	GND-485	
NZ8006	CABLE LIAISON CPU/BTA	CPU	CN14	14	1	GND	BASSE TENSION
		BTA	P6		2	V-TFT	
					3	GND	
					4	V-TFT	
					5	GND	
					6	V-TFT	
					7	GND	
					8	VLAMP-TFT	
					9	GND	
					10	VLAMP-TFT	
					11	RX-DISPL-TFT	
					12	RX-DISPL-TFT	
					13	RX-DISPL-TFT	
					14	RX-DISPL-TFT	
NZ8007	CABLE DOSAMAT	BGX	CN4	4	1	12V+	BASSE TENSION
					2	CAPTEUR A	
					3	CAPTEUR B	
					4	GND	
NZ8008	CABLE BST	BST	CN5	10	1	GND	BASSE TENSION
					2	DOE	
					3	12V -	
					4	N.U.	
					5	RSX -	
					6	RSX +	
					7	EVV	
					8	EVV	
					9	EVE	
					10	EVE	
NZ8009	CABLE BST VERSION ROBINET	BST	CN5	10	1	GND	BASSE TENSION
					2	DOE	
					3	12V -	
					4	N.U.	
					5	RSX -	
					6	RSX +	
					7	N.U.	
					8	N.U.	
					9	EVE	
					10	EVE	
NZ8010	CABLE SONDE GROUPE	BGX	CN1	6	1	N.U.	BASSE TENSION
					2	STX +	
					3	STX -	
					4	GND	
					5	N.U.	
					6	STS+	

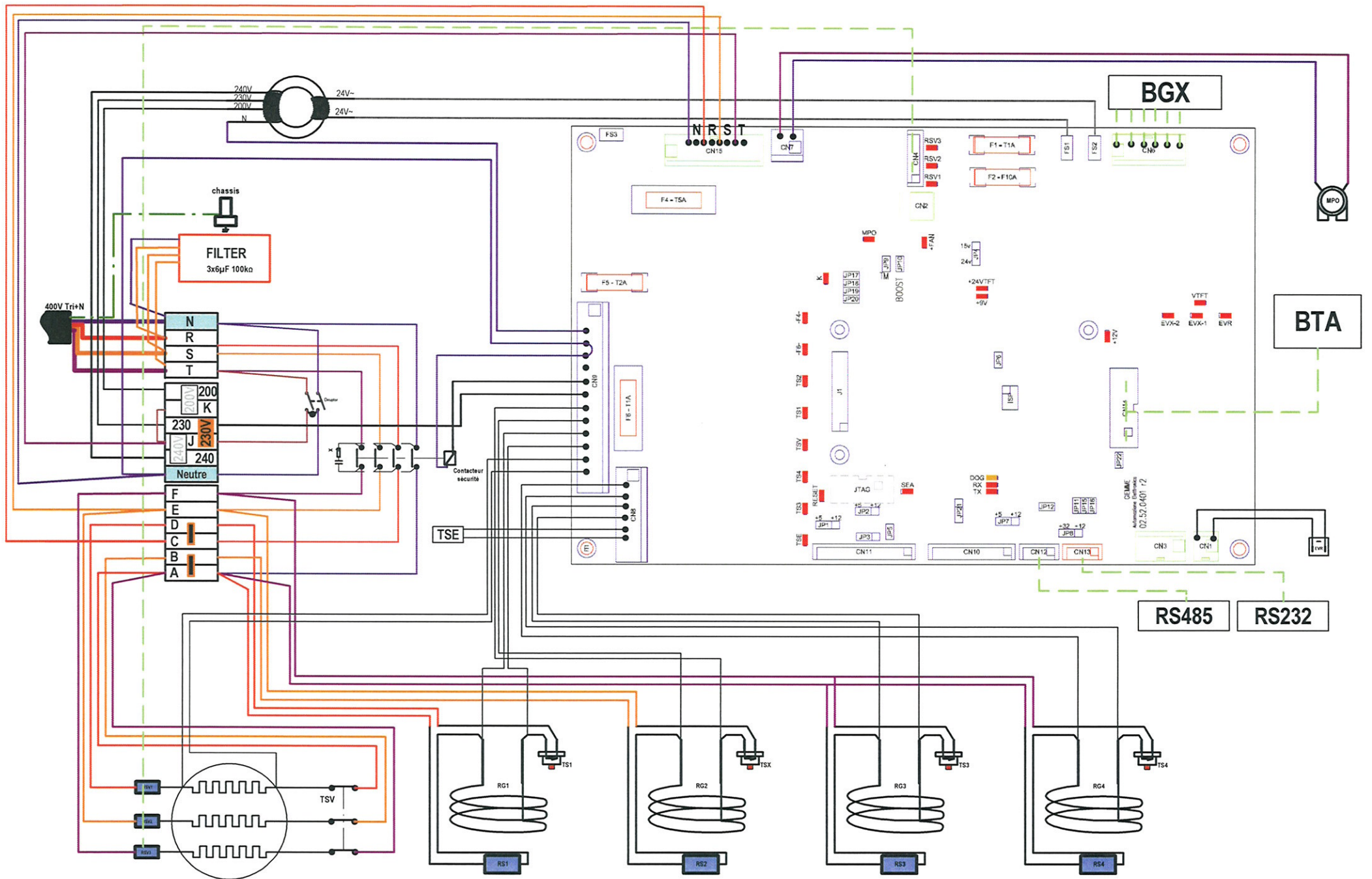
NZ8011	CABLE CAPTEUR CHAUDIERE VAPEUR	CPU	CN11	12	1	GND	BASSE TENSION
					2	SNH	
					3	SNB	
					4	STV	
					5	STV	
					6	STV	
					7	N.U.	
					8	CPR	
					9	CPR	
					10	CPR	
					11	SEA	
					12	SEA	
NZ8012	CABLE COMMANDE POMPE 2GR	CPU	CN7	2	1	MPO	HAUTE TENSION
NZ8013	CABLE COMMANDE POMPE 3GR				2	MPO	
NZ8014	CABLE COMMANDE POMPE 4GR						
NZ8015	SONDE STEAMAIR V+	BST	CN1	6	1	N.U.	BASSE TENSION
					2	STX +	
					3	STX -	
					4	GND	
					5	N.U.	
					6	STS+	
NZ8020	CABLE CMD RELAIS STATIQUE VAPEUR	CPU	CN4	6	1	RSV1	BASSE TENSION
					2	RSV1	
					3	RSV2	
					4	RSV2	
					5	RSV3	
					6	RSV3	
NZ8022	CABLE EV REMPLISSAGE 2GR	CPU	CN1	2	1	EVR	BASSE TENSION
NZ8023	CABLE EV REMPLISSAGE 3GR				2	EVR	
NZ8024	CABLE EV REMPLISSAGE 4GR						
NZ8033	CABLE FILTRAGE ZENNER	CPU	CN15	8	1	VR7	HAUTE TENSION
					2	N.U.	
					3	VR8	
					4	N.U.	
					5	VR9	
					6	N.U.	
					7	VR10	
					8	VR10	
NZ8034	CABLE ALIM RELAIS STATIQUE VAPEUR					HAUTE TENSION	
NZ8035	CABLE SECURITE RESISTANCE VAPEUR						
NZ8036	CABLE RELAIS STATIQUE RESISTANCE						
NZ8037	CABLE RETOUR SECURITE VAPEUR						
NZ8038	CABLE CN9 CPU	CPU	CN9	12	1	F	HAUTE TENSION
					2	F	
					3	PONT - 2	
					4	N.U.	
					5	K	
					6	230V	
					7	TS2	
					8	TS2	
					9	TS2	
					10	TS1	
					11	TSV	
					12	TSV	
NZ8039	CABLE CN8 CPU 3GR	CPU	CN8	6	1	TS4	HAUTE TENSION
NZ8040	CABLE CN8 CPU 4GR				2	TS4	
					3	TS3	
					4	TS3	
					5	TSE	
					6	TSE	
NZ8046	CABLE ALIMENTATION CONTACTEUR					HAUTE TENSION	
NZ8047	CABLE DIRUPTOR					HAUTE TENSION	
NZ8048	CABLE MASSE CALANDRE					TERRE	
NZ8049	CABLE PRE-INFUSION EVP + CPX	BGX	CN6	8	1	5V+ /12V+	BASSE TENSION
					2	INPUT CPX	
					3	GND CPX	
					4	N.U.	
					5	N.U.	
					6	N.U.	
					7	EPX	
					8	EPX (24V AC2)	
NZ8050	CABLE PRE-INFUSION EVP	BGX	CN6	8	1	5V+ /12V+	BASSE TENSION
					2	INPUT CPX	
					3	GND CPX	
					4	N.U.	
					5	N.U.	
					6	N.U.	
					7	EPX	
					8	EPX (24V AC2)	
44715	CABLE LIAISON USB	BTA	P4	4	1	VCC USB	BASSE TENSION
					2	USB +	
					3	USB -	
					4	GND	



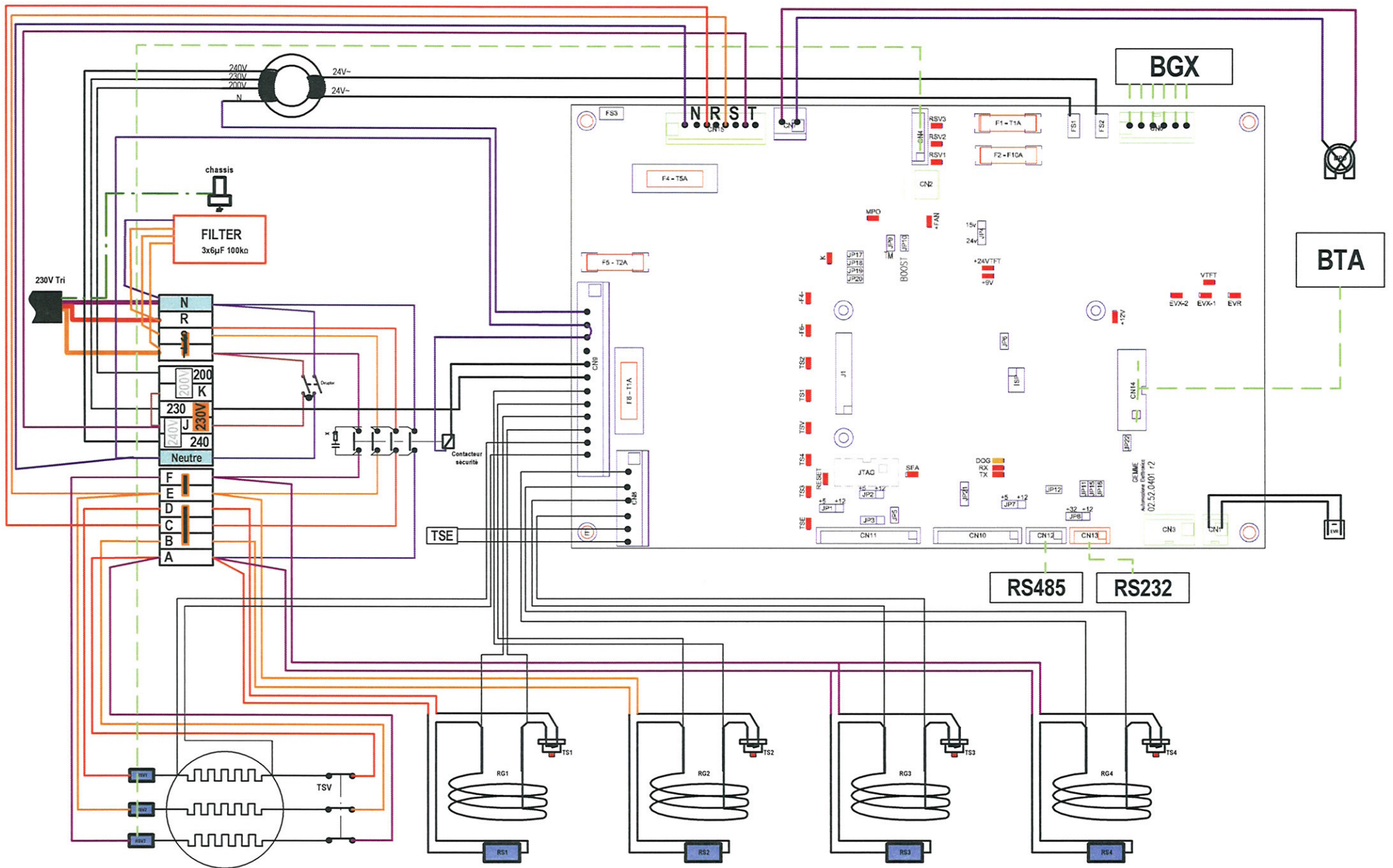
07/2011

VUES STELLA 3GR
STELLA 3 UNITS VIEWS

UNIC



STELLA DI CAFFE SCHEMA DE CABLAGE DE PRINCIPE 400V tri 13/07/2012



STELLA DI CAFFE SCHEMA DE CABLAGE DE PRINCIPE 230V tri 13/07/2012