

TANGO[®] ace

SPARE
PARTS



Merci d'avoir choisi UNIC, premier fabricant français de machines espresso professionnelles depuis 1919.

Thank you for choosing UNIC, the first French manufacturer of professional espresso machines since 1919.

Le fabricant se réserve le droit de modifier sans préavis les caractéristiques de l'appareil, dans un souci d'amélioration de ses performances.

Lire attentivement les consignes de sécurité avant toute utilisation.

The manufacturer reserves the right to modify the appliances presented in this publication without notice.

Read carefully the safety instructions before use.

TG9060 03/2017

PIÈCES
DÉTACHÉES

UNIC

PIECES DETACHEES
SPARE PARTS

1XX	HABILLAGE	MACHINE CASING
103	TANGO ACE	TANGO ACE
111	ENSEMBLE CHARIOT - BASSINE - PIED	SET TROLLEY, OVERFLOW TRAY & FEET
112	ENSEMBLE DEVANT, TIROIR A MARC	SET WASTE DRAWER, FRONT CASING
113	ENSEMBLE BEC & PORTILLON	SET SPOUT & DOORS
116	COTES MACHINE ACE	SET SIDES
117	CHAUFFE TASSES ACE	CUP WARMER ASSEMBLED
124	CALANDRE TANGO ACE	FRONT PANEL TANGO ACE
130	ENSEMBLE TREMIES	HOPPER UNIT
135	BOITE DK	DK BOX
138	DESSUS TREMIES ACE	TOP HOPPER UNIT ACE
2XX	SORTIES EXTERIEURES	EXTERNAL OUPUT
201	ENSEMBLE TUBE & EV SORTIE VAPEUR	SET TUBE & EV STEAM OUTLET
212	SORTIE VAPEUR INOX V+	STEAM OUTLET V+ STAINLESS STEEL
221	SORTIE VAPEUR PTFE	PTFE STEAM OUTLET
232	SORTIE VAPEUR REGLABLE	ADJUSTABLE STEAM OUTLET
241	SORTIE STEAMAIR V+	STEAMAIR V+ OUTLET
251	ENSEMBLE TUBE & EV SORTIE EAU CHAUDE	SET PIPE & EV HOT WATER OUTLET
260	SORTIE EAU CHAUDE	HOT WATER OUTLET
270	SORTIE EAU CHAUDE REGLABLE	ADJUSTABLE HOT WATER OUTLET
3XX	HYDRAULIQUE	HYDRAULIC SYSTEM
301	CIRCUIT HYDRAULIQUE 1 GR	1 UNIT HYDRAULIC CIRCUIT
310	SECURITE MANQUE D'EAU	NO WATER SAFETY
321	POMPE 100L	100L PUMP
330	BLOC DOSEUR 1GR	1 UNIT DOSING DEVICE
340	CHAUDIERE VAPEUR-CAFE STANDARD	STANDARD STEAM-COFFEE BOILER
345	CHAUDIERE INTERNE 1GR	1 UNIT INTERNAL BOILER
360	SYSTÈME DE NETTOYAGE	CLEANING SYSTEM
361	BLOC NETTOYAGE & VIDANGE	CLEANING DEVICE & DRAIN
362	ELECTROVANNES DE NETTOYAGE	CLEANING ELECTROVALVES
370	GOULOTTE D'EVACUATION	DRAIN CHUTE
4XX	CIRCUIT CAFE	COFFEE SYSTEM
401	MOULIN D:64	GRINDER D:64
410	ENTONNOIR	FUNNEL
415	ENSEMBLE NETTOYEUR	CLEANING DEVICE
420	GROUPE CAFE SANS PISTON (1P)	COFFEE UNIT WITHOUT PISTON (1P)
425	PISTON COMPLET	PISTON DEVICE
430	MOTEUR PLATEAU + SECURITE MIROIR	TURNTABLE MOTOR + DRAWER SAFETY
435	EV BEC	SPOUT EV
5XX	ELECTRONIQUE	ELECTRONIC SYSTEM
501	CONNECTEURS CARTE MERE	MOTHERBOARD CONNECTORS
502	FUSIBLES CARTE MERE	FUSES CONNECTORS
504	PLATINE CARTES ELECTRONIQUES ACE	ACE PANEL ELECTRONIC CARDS
510	COMPOSANTS ELECTRIQUES 1 GR	1 UNIT ELECTRICAL COMPONENTS
550	LISTE DES CABLES	ELECTRICAL WIRES LISTING
6XX	OPTION/KIT	OPTION/KIT
611	OPTION BLOC CAPPUCCINO	CAPPUCCINO DEVICE
612	OPTION BLOC CAPPUCCINO "EV NETTOYAGES"	"CLEANING EV" CAPPUCCINO DEVICE
613	OPTION BLOC CAPPUCCINO "CHAUDIERE 1 GR"	"1 UNIT BOILER" CAPPUCCINO DEVICE
620	MITIGEUR EAU CHAUDE	MIXED HOT WATER
630	BEC DEPORTE POUR POT	SPOUT DEPORTED FOR JAR
640	PIÈCES D'INSTALLATION ET ENTRETIEN	INSTALLATION & MAINTENANCE PARTS
651	CHAUFFE TASSES SANS BOITE DK	CUP WARMER WITHOUT DK BOX

PLANCHE - PLATE 103

REF	DESIGNATIONS FR	DESIGNATIONS GB
45995	AUTOCOLLANT CENTRAL UNIC	STICKER UNIC
43211	DISJONCTEUR	CIRCUIT BREAKER
TG3014	CHEMISE AR SOLO	REAR CASING SOLO
TG4011	BANDEAU PLEXI BASSINE TANGO SOLO	STRIP TANGO SOLO

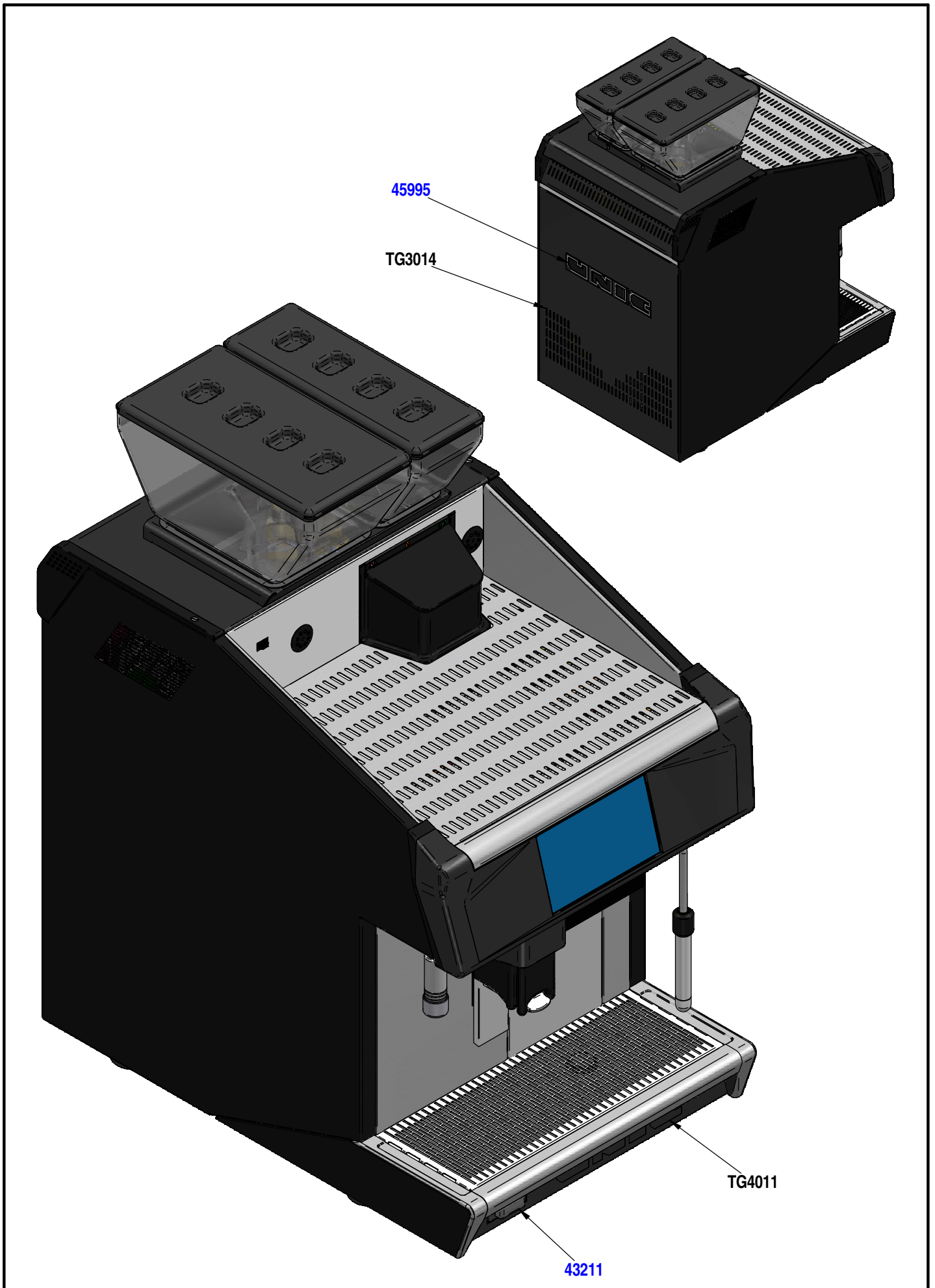


PLANCHE - PLATE 111

REF	DESIGNATIONS FR	DESIGNATIONS GB
45939	ADHESIF PIED MACHINE	STICKER FOOT
50204	VIS TH M5 x 10 INOX	SCREW M5 X 10
50402	VIS TCHC TETE BASSE M8X16 INOX	S.STEEL SCREW M8 X 16
51100	ECROU M5 INOX	NUT M5
51150	ECROU NYLSTOP M6	NUT NYLSTOP M6
DV4030	PIED ALU H30	FOOT H30
NM-002	PIED CAOUTCHOUC NOIR	FOOT
NM-176	PIED ALU POUR MACHINE NSF	FOOT FOR NSF MACHINE
NM-236	PIED ALU D50 H44.5	FOOT H44.5
NZ7024	PATIN PIED ARRIERE	REAR RUBBER FOOT
RB4002	RONDELLE EPAULEE	WASHER
TG1005	KIT CHARIOT BASSINE DUO	TROLLEY OVERFLOW TRAY KIT FOR DUO
TG1006	KIT CHARIOT BASSINE SOLO	TROLLEY OVERFLOW TRAY KIT FOR SOLO
TG2000	BASSINE TANGO DUO	DUO OVERFLOW TRAY
TG2001	GRILLE DE BASSINE DUO	DUO OVERFLOW TRAY GRID
TG2002	DEVANT DE BASSINE DUO	FRONT OVERFLOW TRAY
TG2004	RONDELLE TOLE	SHEET METAL WASHER
TG2011	BASSINE SOLO	SOLO OVERFLOW TRAY
TG2012	DEVANT DE BASSINE SOLO	SOLO FRONT OVERFLOW TRAY
TG2014	GRILLE DE BASSINE SOLO	SOLO OVERFLOW TRAY GRID
TG4000	ENJOLIVEUR JOUE DE BASSINE G	LEFT ORNAMENTAL OVERFLOW TRAY
TG4002	ENJOLIVEUR JOUE DE BASSINE D	RIGHT ORNAMENTAL OVERFLOW TRAY
TG4005	AXE JOUE DE BASSINE	AXLE
TG4006	BAGUE EPAULEE	PLASTIC RING
TG7000	JOUE DE BASSINE GAUCHE	LEFT ORNAMENTAL HOLDER
TG7002	JOUE DE BASSINE DROITE	RIGHT ORNAMENTAL HOLDER

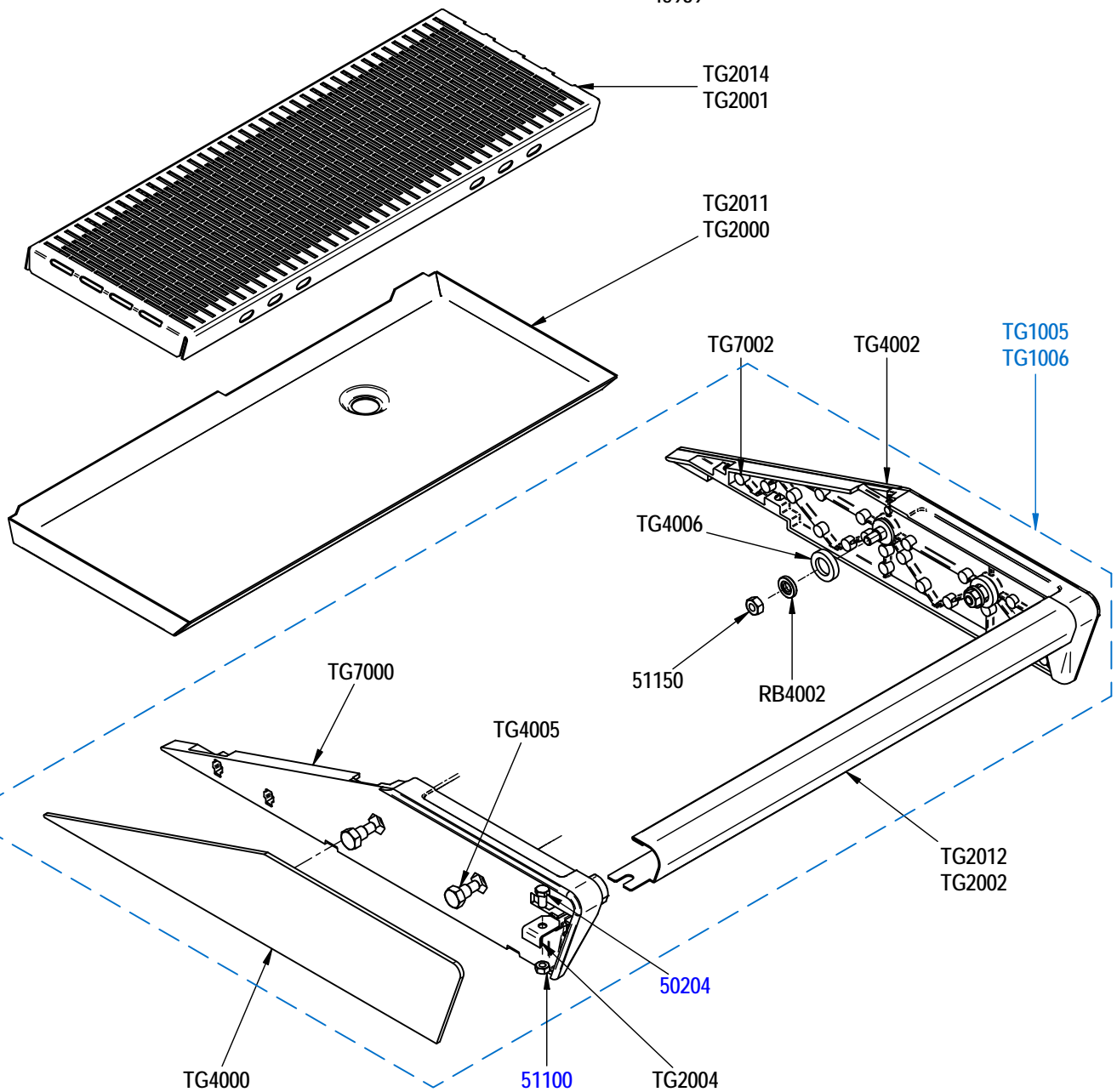
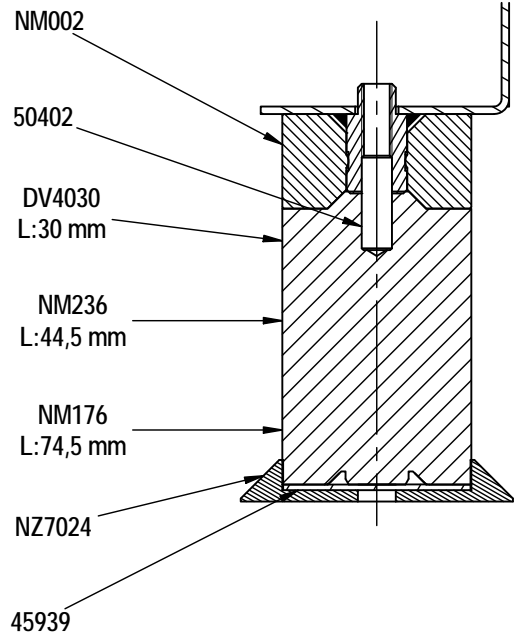
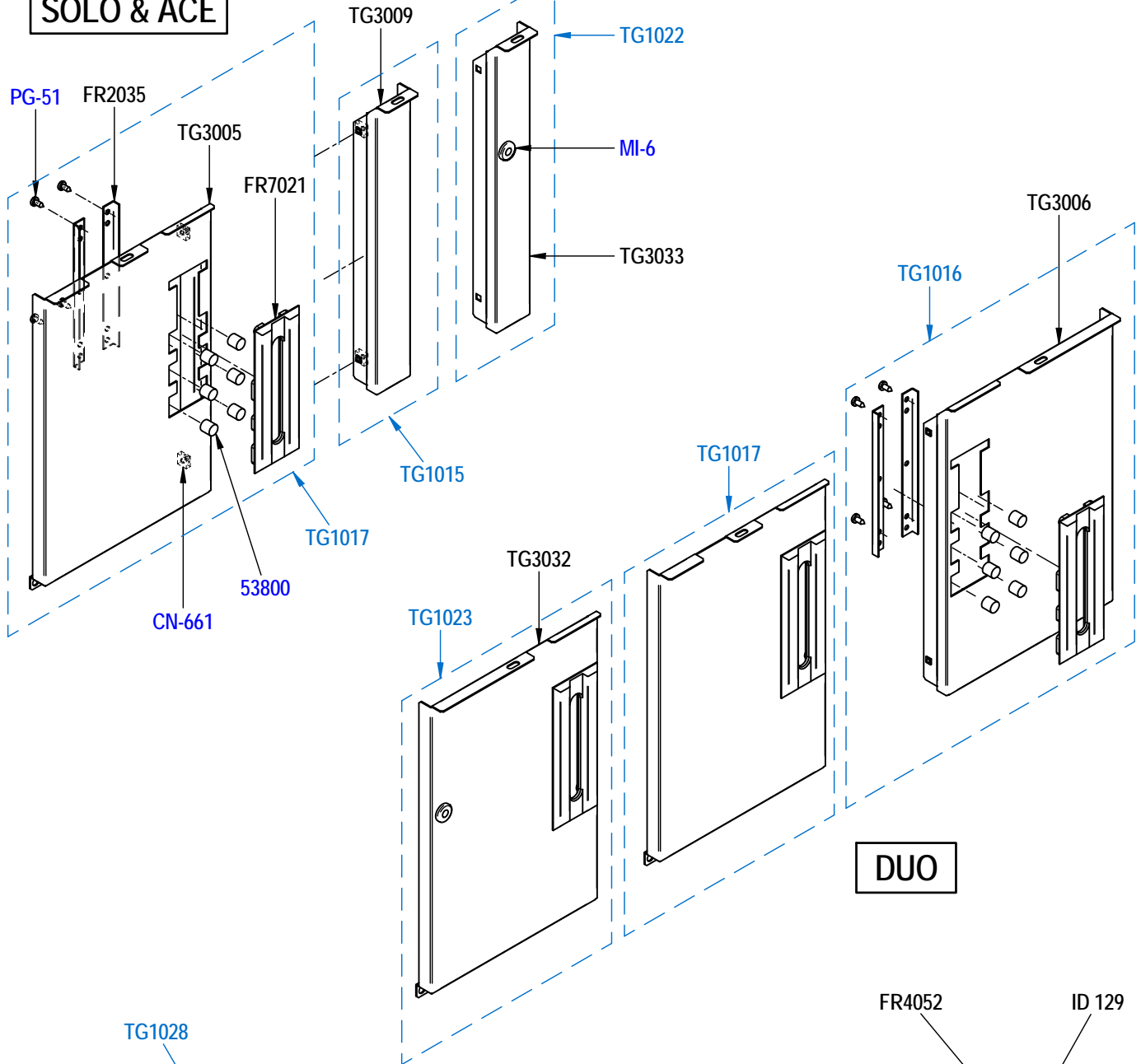


PLANCHE - PLATE 112

REF	DESIGNATIONS FR	DESIGNATIONS GB
53800	AIMANT DIAM. 10 X 10	MAGNET 10 X 10
53820	AIMANT BAC A MARC	MAGNET
CN-305	RONDELLE EN LAITON M3	BRASS RING M3
CN-306	VIS INOX TCHC 3 x 8	SCREW M3 X 8
CN-661	ECROU CAGE M4, EP 1/1.6	INSERT NUT M4
FR2035	BRIDE BEC CAFE	COFFEE SPOUT HOLDER
FR3111	TOLE PORTE CENTRALE	CENTER DOOR
FR3119	BAC A MARC ENSEMBLE TOLES	WASTE DRAWER
FR4052	BUTEE DE BAC A MARC	THRUST
FR4075	TETON	PIN
FR7021	PLAQUE AVANT	FRONT PART
ID-129	VIS INOX POELIER VM 4 X 8	SCREW 4 X 8
MI-6	PASSE FIL	GROMMET
PG-51	VIS TOLE TC Ac Zn 3,9 X 9,5	SHEET SCREW 3,9 x 9,5
TG1015	ENSEMBLE DEVANT DROIT SOLO	SOLO RIGHT FRONT
TG1016	ENSEMBLE DEVANT DROIT DUO	DUO RIGHT FRONT
TG1017	ENSEMBLE DEVANT GAUCHE	STANDARD LEFT FRONT
TG1022	DEVANT DROIT SOLO STEAMAIR	SOLO RIGHT STEAMAIR FRONT
TG1023	DEVANT GAUCHE STEAMAIR	LEFT STEAMAIR FRONT
TG1028	BAC A MARC COMPLET	WASTE DRAWER
TG3005	DEVANT GAUCHE	LEFT FRONT PANEL
TG3006	DEVANT DROIT	RIGHT FRONT PANEL
TG3009	DEVANT DROIT SOLO	RIGHT FRONT PANEL SOLO
TG3032	DEVANT GAUCHE STEAMAIR	STEAMAIR LEFT FRONT PANEL
TG3033	DEVANT DROIT SOLO STEAMAIR	STEAMAIR SOLO RIGHT FRONT PANEL

SOLO & ACE



DUO

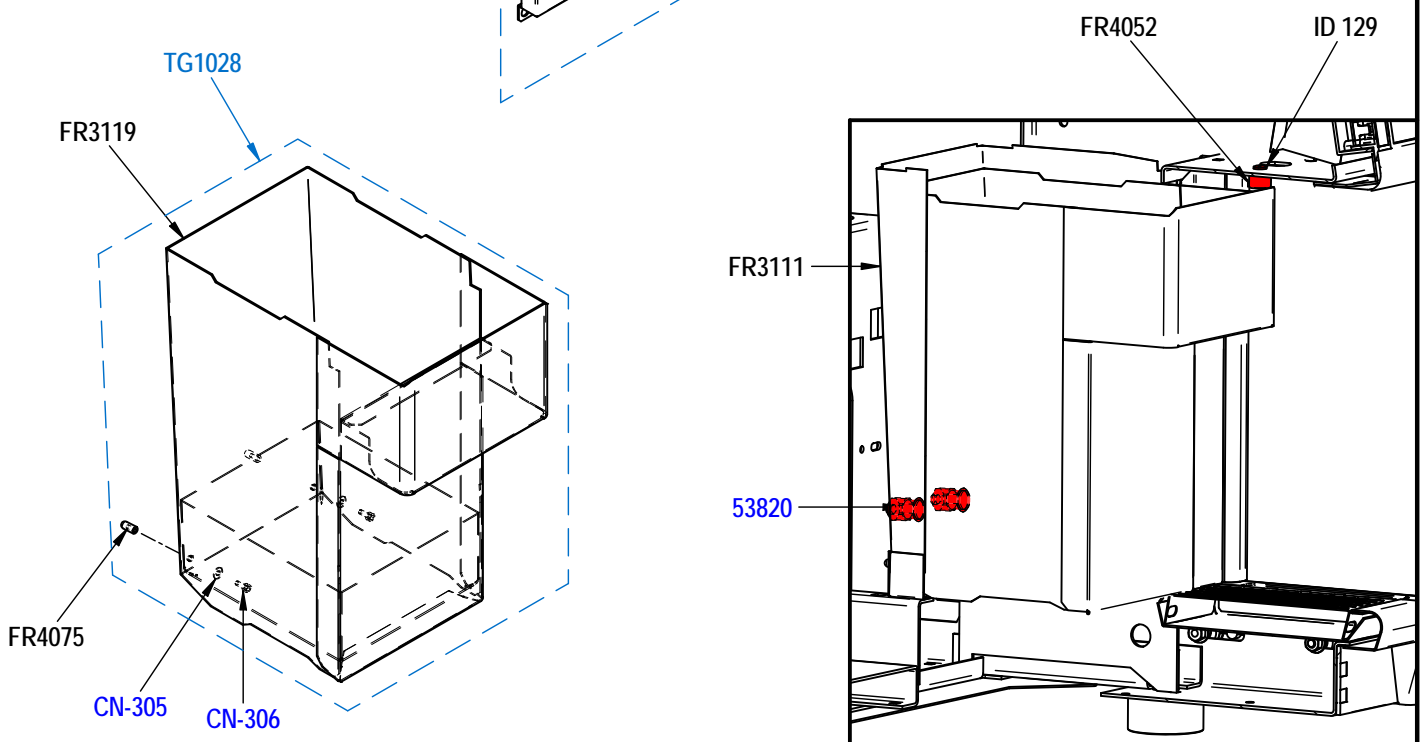
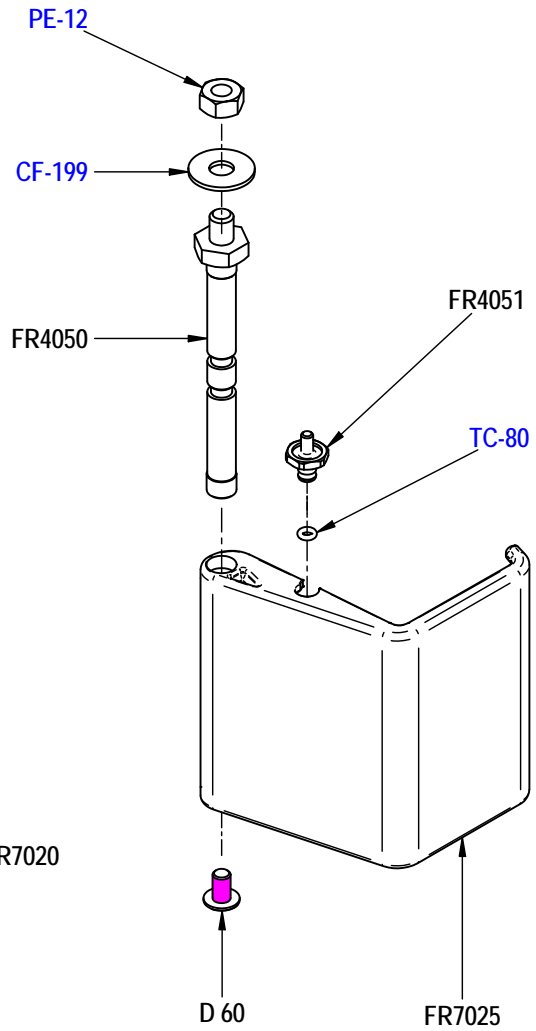
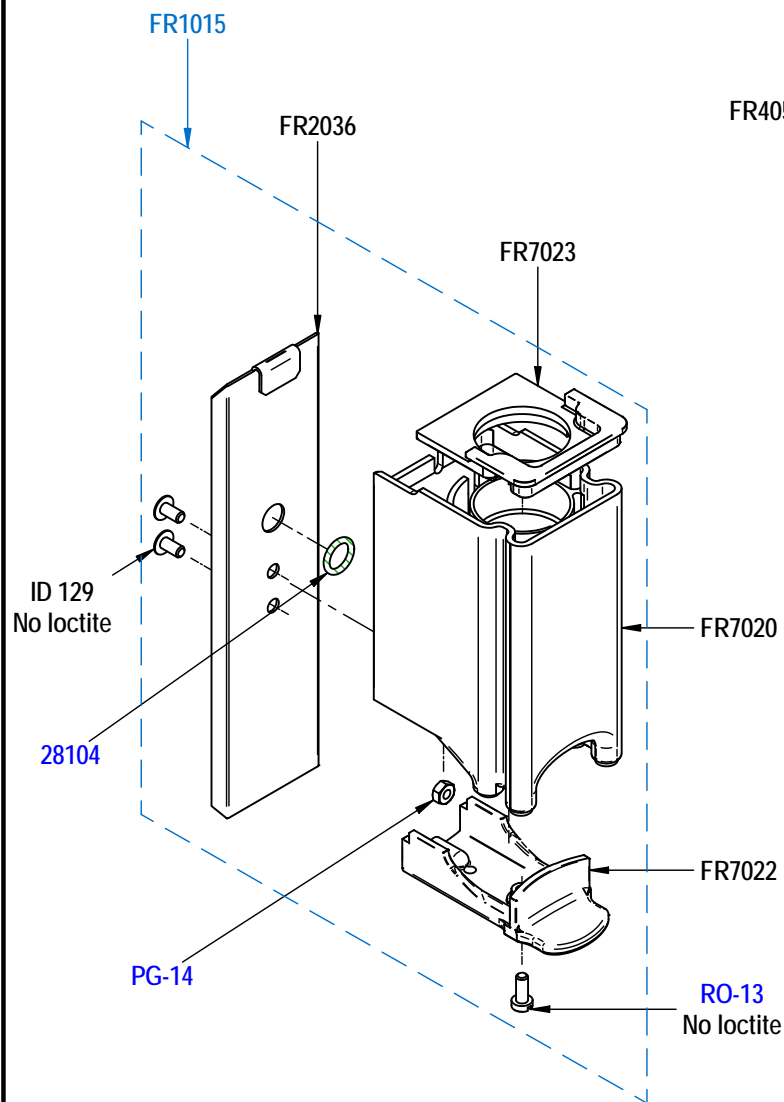


PLANCHE - PLATE 113

REF	DESIGNATIONS FR	DESIGNATIONS GB
28104	JOINT TORIQUE 2X9,5 FKM 80SH	GASKET 2X9,5
CF-199	RONDELLE ACIER ZN 8x22x1,5	STEEL WASHER 8x22x1,5
D-60	VIS POELIER M6x10 INOX	SCREW 6X10
FR1015	BEC A CAFE SORTIE CAFE	COFFEE SPOUT
FR2036	TOLE PLAQUE GUIDE	PLATE SHEET
FR4050	AXE DE PORTILLON	AXLE
FR4051	BUTEE PORTILLON	SCREW DOOR
FR7020	BEC CAFE	COFFEE SPOUT
FR7022	LANGUETTE BEC	SPOUT HANDING
FR7023	ANTI VAPEUR	ANTI STEAM
FR7025	PORTILLON	DOOR
ID-129	VIS INOX POELIER VM 4 X 8	SCREW 4 X 8
PE-12	ECROU M8	NUT M8
PG-14	ECROU M4	NUT M4
RO-13	VIS INOX TC 4 x 10	SCREW M4 X 10 -
TC-80	JOINT TORIQUE 1,78X2,90 FKM	GASKET 1.78X2.90 FKM

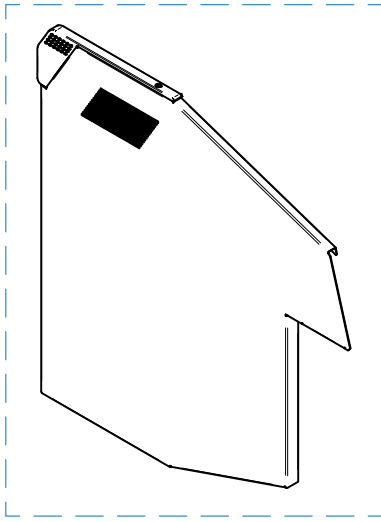


 Graisse 84620

 Loctite 222

PLANCHE - PLATE 116

REF	DESIGNATIONS FR	DESIGNATIONS GB
50125	VIS TB CRUCIFORME A EMBASE M4 x 8	CRUCIFORM SCREW M4 x 8
51355	INSERT M4D LAITON L:9.5	INSERT M4
52500	ECROU RAPID 3 mm	NUT 3 mm
CN-189	VIS TC M4 X 16 INOX	SCREW M4 X 16
CN-325	VIS INOX TC 4 x 6	SCREW M4 X 6
FR7035	ENJOLIVEUR DESSUS	ORNAMENTAL TOP
TG1080	COTE GAUCHE ACE MONTE	COMPLET LEFT SIDE
TG1081	COTE DROIT ACE MONTE	COMPLET RIGHT SIDE
TG3120	COTE GAUCHE	LEFT SIDE
TG3121	COTE DROIT	RIGHT SIDE
TG4008	TETON M4X5	NUT M4X5



TG1080
TG1081

CN-189

FR7035

CN 325

51355

50125

TG3120
TG3121

52500

TG4008

PLANCHE - PLATE 117

REF	DESIGNATIONS FR	DESIGNATIONS GB
53410	BOUCHON MOULIN DIA:25	<i>PLUG GRINDER</i>
CN-694	VIS POELIER M 4 X 12 INOX	<i>SCREW M4 X 12</i>
TG3101	VERRIERE CHAUFFE TASSES ACE	<i>CUP RACK</i>
TG3107	PAROI CHAUFFE TASSES GAUCHE	<i>LEFT CUP WARMER SHEET</i>
TG3108	PAROI CHAUFFE TASSES DROITE	<i>RIGHT CUP WARMER SHEET</i>
TG3109	FOND CHAUFFE TASSES	<i>CUP WARMER SHEET</i>
TG3200	CHAUFFE TASSES ACE SOUDE	<i>CUP WARMER ACE</i>

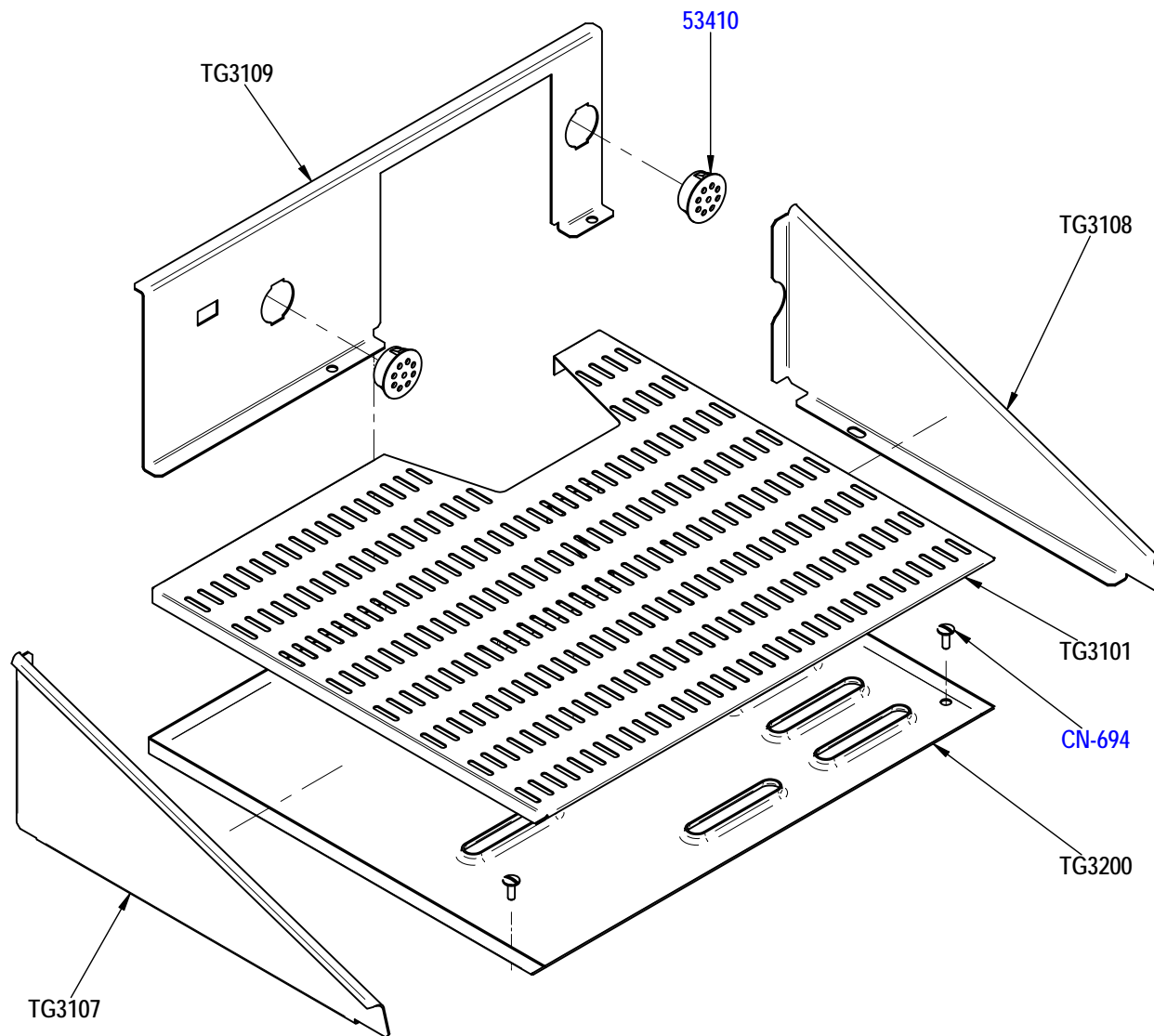
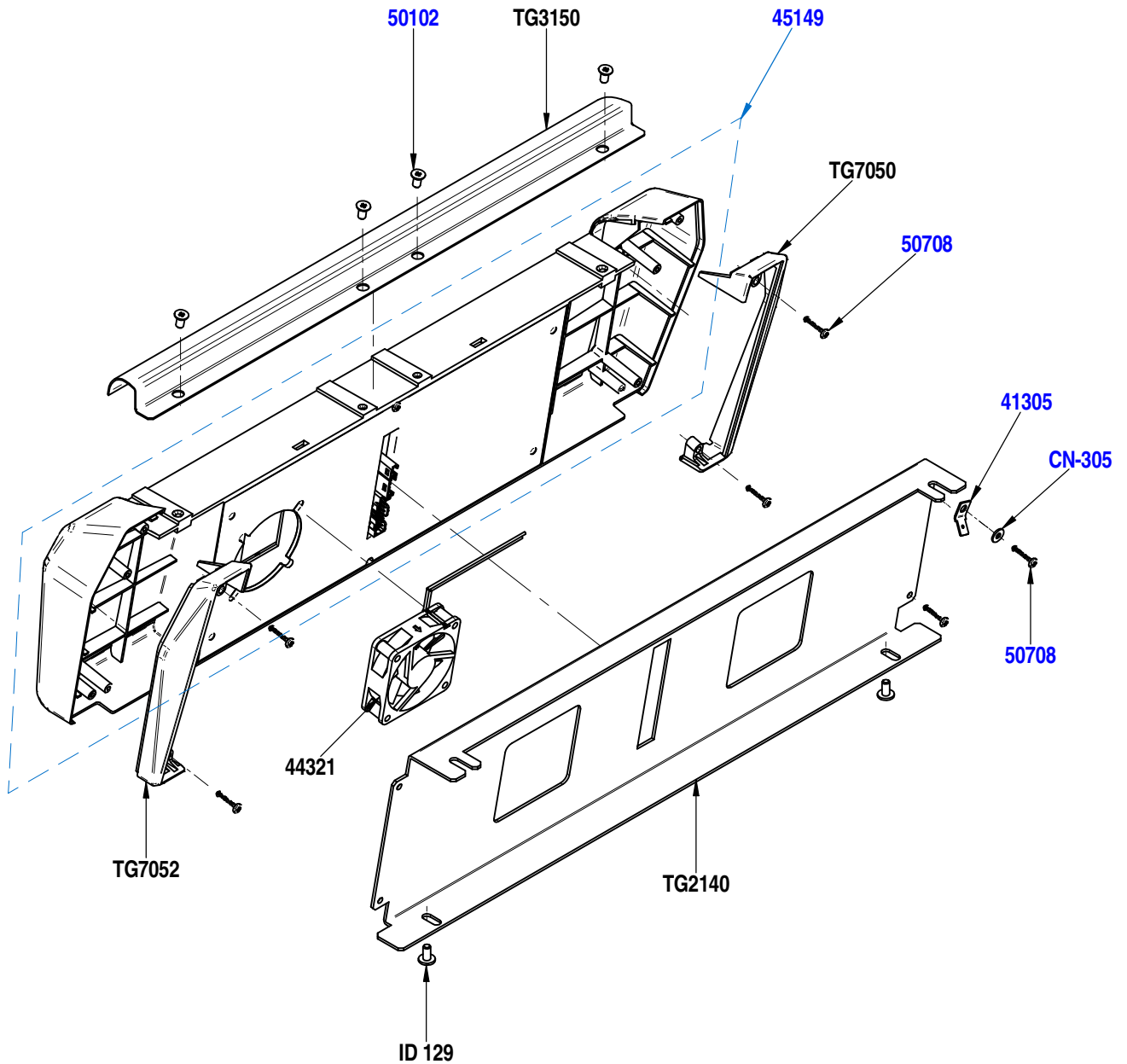


PLANCHE - PLATE 124

REF	DESIGNATIONS FR	DESIGNATIONS GB
41305	FASTON MALE A VISSER	MALE FASTON PIN
44321	VENTILATEUR CABLE AVEC CONNECTEUR	FAN WITH WIRE
45149	BOITIER BTX TANGO ACE	BTX ELECTRONIC BOX
50102	VIS AUTOFORMEUSE TF M4 X 8	SCREW M4 X 8
50708	VIS AUTOFORMEUSE 3X14	SCREW 3X14
50712	VIS CRUCIFORME 4.8 x 13	SCREW 4.8 X 13
52002	RIVET PLASTIQUE NOIR	SNAP RIVET BLACK
CN-305	RONDELLE EN LAITON M3	BRASS RING M3
ID-129	VIS INOX POELIER VM 4 X 8	SCREW 4 X 8
TG1073	CALANDRE ACE	ACE FRONT PANEL
TG2140	SUPPORT CALANDRE	FRONT PANEL HOLDER
TG3150	DESSUS CALANDRE	TOP OF FRONT PANEL
TG7050	CACHE CALANDRE ACE GAUCHE	LEFT COVER FRONT PANEL
TG7052	CACHE CALANDRE ACE DROIT	RIGHT COVER FRONT PANEL



Plaquez le ventilateur (44321) contre le couvercle et clipsez le rivet plastique (52002) ou vissez la vis (50712)
 Flat the ventilator (44321) against the cover and clip the plastic rivet (52002) or screw (50712)

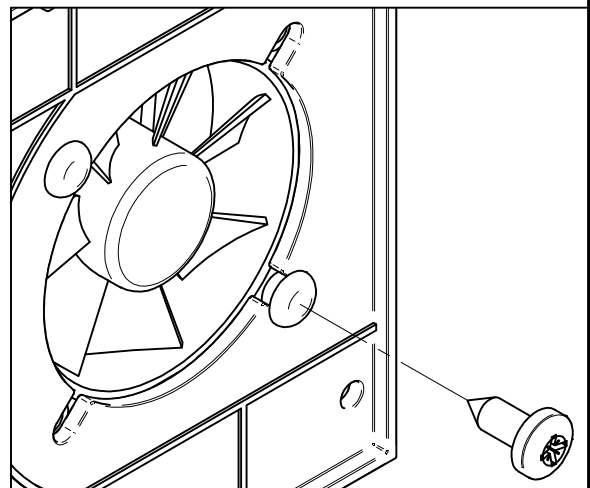
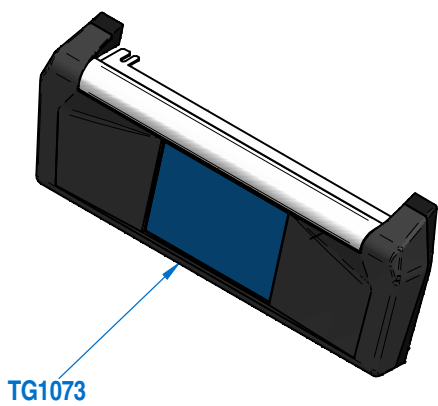
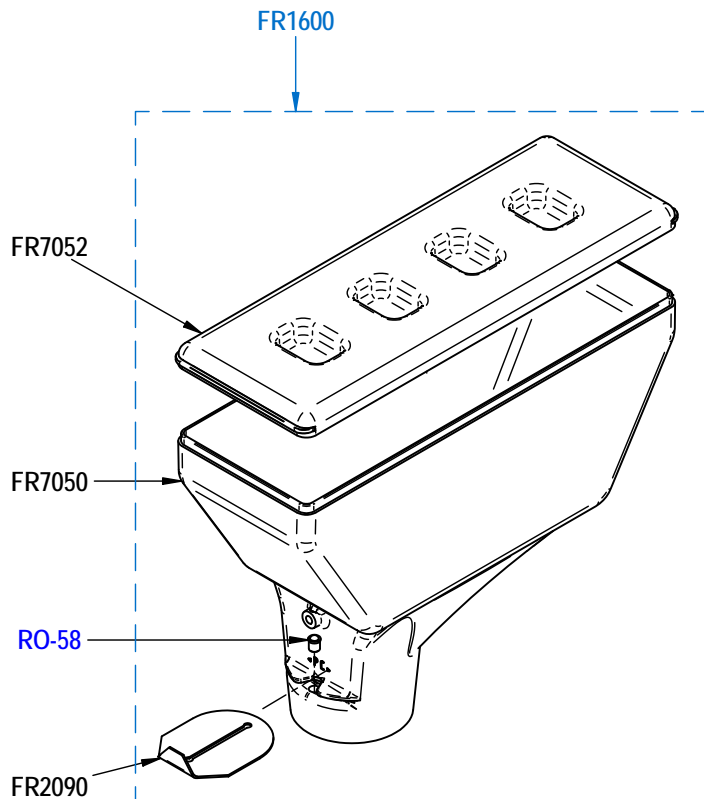
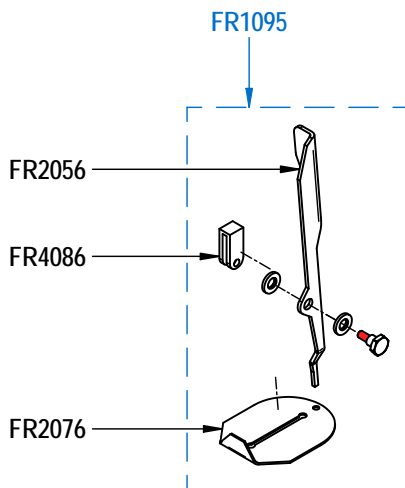
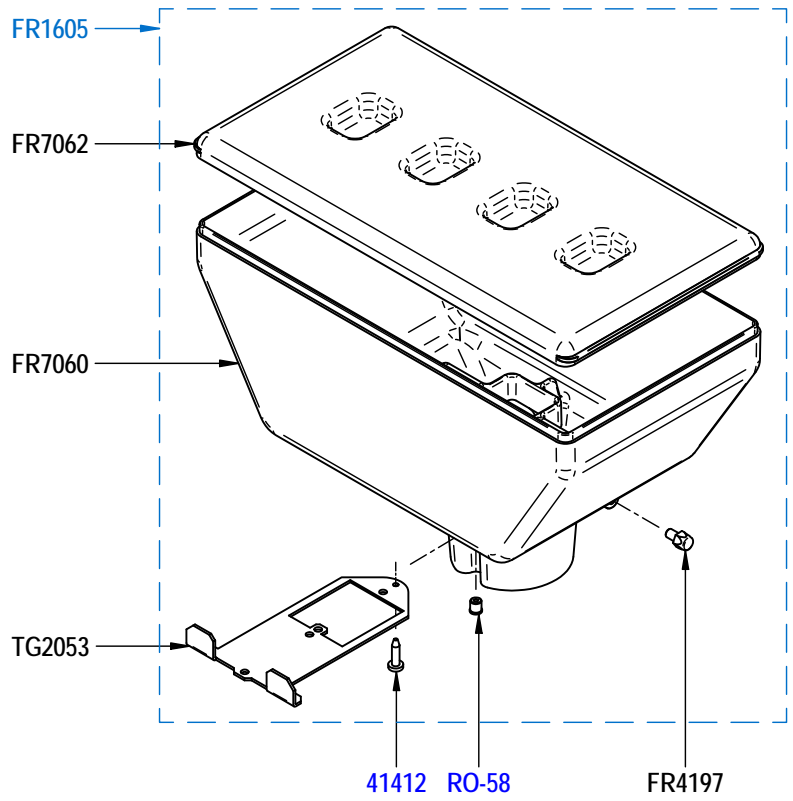
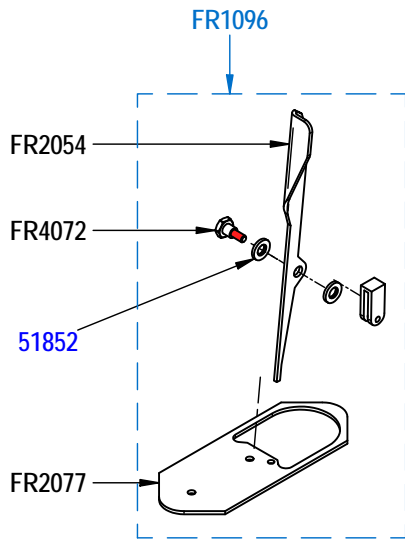


PLANCHE - PLATE 130

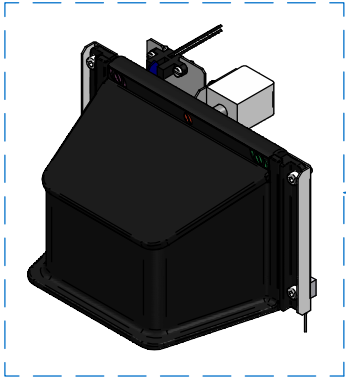
REF	DESIGNATIONS FR	DESIGNATIONS GB
41412	POINTE	<i>PIN</i>
51852	ENTRETOISE 12X6 EP1.6	<i>SPACER 13X6 EP1.6</i>
FR1095	TRAPPE FERMETURE INT. TREMIE 100	<i>INT. CLOSING HATCH FOR HOPPER 100</i>
FR1096	TRAPPE FERMETURE INT. TREMIE 150	<i>INT. CLOSING HATCH FOR HOPPER 150</i>
FR1600	ENSEMBLE TREMIE 100	<i>HOPPER 100 FOR COFFEE GRINDER</i>
FR1605	ENSEMBLE TREMIE 150	<i>HOPPER 150 FOR COFFEE GRINDER</i>
FR2054	LEVIER TRAPPE TREMIE (150)	<i>LEVER FOR CLOSING HATCH</i>
FR2056	LEVIER TRAPPE TREMIE (100)	<i>LEVER FOR CLOSING HATCH</i>
FR2076	FERMETURE TREMIE 100X280	<i>CLOSING HATCH FOR HOPPER 100</i>
FR2077	FERMETURE TREMIE 150X280	<i>CLOSING HATCH FOR HOPPER 150</i>
FR2090	FERMETURE POUR TREMIE DE 100 X 280	<i>HOPPER 100 CLOSING PART</i>
FR4072	VIS EPAULEE M4	<i>SCREW M4</i>
FR4086	ETRIER LEVIER TRAPPE TREMIE	<i>U BOLT FOR LEVER HATCH</i>
FR4197	TETON POUR TREMIE 150	<i>NIPPLE FOR HOPPER 150</i>
FR7050	TREMIE 100 X 280	<i>HOPPER 100 X 280</i>
FR7052	COUVERCLE DE TREMIE 100 x 280	<i>HOPPER TOP 100 X 280</i>
FR7060	TREMIE 150 X 280	<i>HOPPER 150 X 280</i>
FR7062	COUVERCLE DE TREMIE 150 x 280	<i>HOPPER TOP 150 X 280</i>
RO-58	POUSSOIR A BILLE	<i>THRUST BALL BEARING</i>
TG2053	TRAPPE TREMIE 150 X 280	<i>CLOSING HATCH 150 X 280</i>



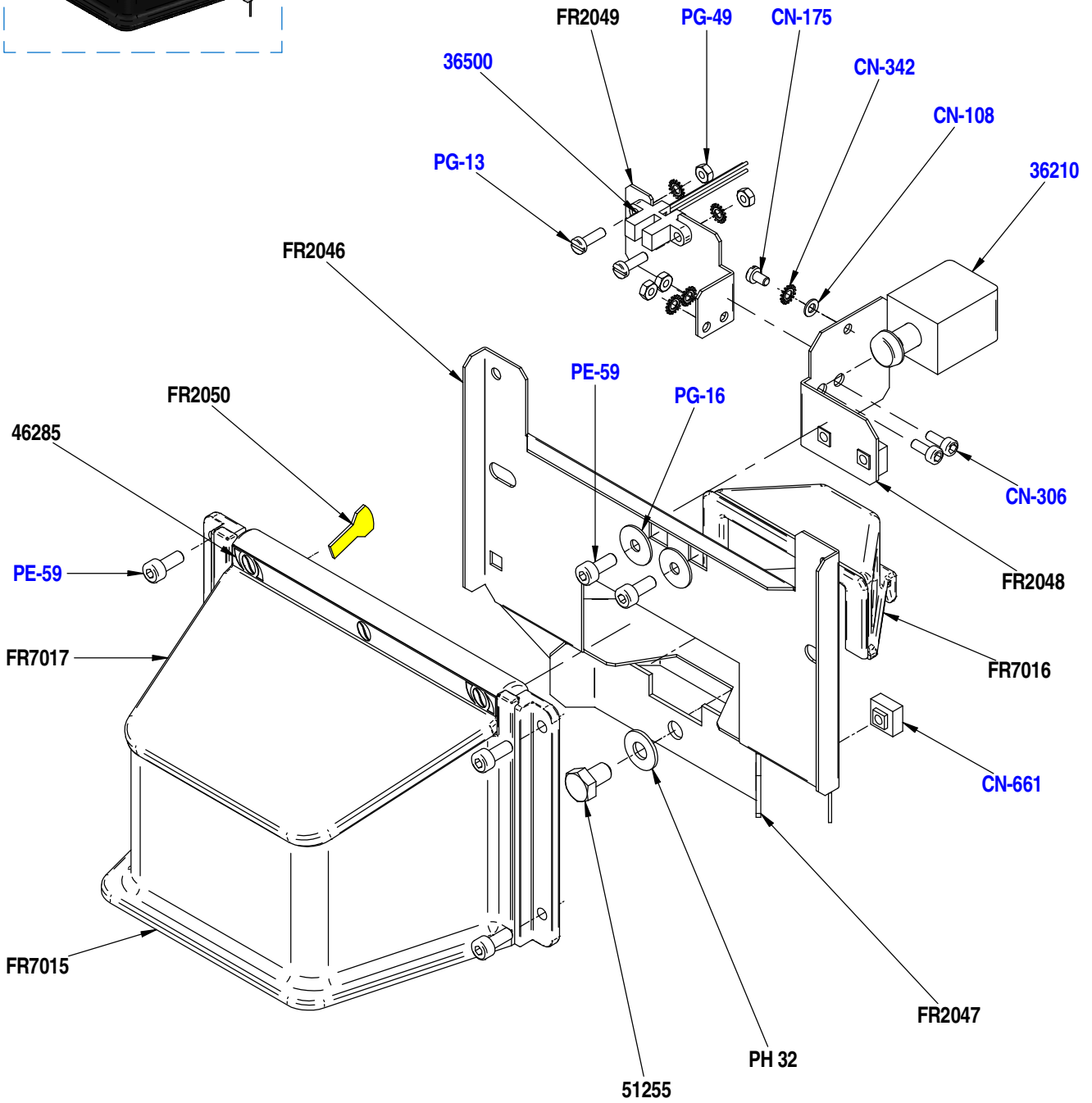
 Loctite 262

PLANCHE - PLATE 135

REF	DESIGNATIONS FR	DESIGNATIONS GB
36210	ELECTRO AIMANT COMPLET	WHOLE ELECTRO MAGNET
36500	CAPTEUR A FOURCHE EFFET HALL	FORK SENSOR
46285	AUTOCOLLANT BOITE DK TANGO ST	STICKER DK BOX
51255	VIS TH M6 X 10 INOX	S. STEEL SCREW M6 X 10
CN-108	RONDELLE LAITON Z3	WASHER
CN-175	VIS TC M3 X 5 INOX	SCREW M3 X 5
CN-306	VIS INOX TCHC 3 x 8	SCREW M3 X 8
CN-342	RONDELLE EVENTAIL 3	WASHER 3
CN-661	ECROU CAGE M4, EP 1/1.6	INSERT NUT M4
FR2046	TOLE SUPPORT BOITE DK	DK BOX HOLDER
FR2047	CALE DE FIXATION	PLATE U
FR2048	TOLE SUPPORT ELECTRO AIMANT	ELECTRO MAGNET HOLDER
FR2049	SUPPORT CAPTEUR BOITE DK	FORK SENSOR HOLDER
FR2050	TOLE BUTEE	PLATE FOR SENSOR
FR7015	CORPS BOITE DK	DK BOX BODY
FR7016	COLLECTEUR CAFE	COFFEE COLLECTOR
FR7017	PORTE	DOOR
PE-59	VIS TCHC M4x10 INOX	SCREW 4 X 10
PG-13	VIS TC M3x10	SCREW M3 X 10
PG-16	RONDELLE ACIER Zn 4,25x14x0,8	WASHER
PG-49	ECROU INOX Hu DE 3	NUT M3
PH-32	RONDELLE ACIER Zn 6,25x14x1,2	WASHER
TG1138	BOITE DK TANGO ST	DK BOX TANGO ST



TG1138



 Loctite 401

PLANCHE - PLATE 138

REF	DESIGNATIONS FR	DESIGNATIONS GB
28850	PROFILE CAOUTCHOUC U	GASKET
50100	VIS TC M4 X 25	SCREW M4 X 25
50113	VIS Chc M4 X 70	SCREW M4 X 70
50125	VIS TB CRUCIFORME A EMBASE M4 x 8	CRUCIFORM SCREW M4 x 8
CN-343	RONDELLE EVENTAIL 4	WASHER 4
CN-694	VIS POELIER M 4 X 12 INOX	SCREW M4 X 12
DV-44	VIS TH M4X10 ACIER	SCREW M4x10
FR2115	BASE DOUBLE TREMIE	HOPPER DOUBLE SEAT
FR2116	CACHE BASE 1 TREMIE	HOPPER SINGLE SEAT
FR2126	PATTE CELLULE TREMIE 100	SHEET METAL SENSOR HOLDER
FR4190	SUPPORT CELLULE TREMIE	SENSOR HOLDER
FR8029	CELLULES OPTIQUES AVEC CONNECTEUR	PHOTO CELL SENSORS
PG-16	RONDELLE ACIER Zn 4,25x14x0,8	WASHER
TG2150	CASQUETTE 2 TREMIES	2 HOPPERS TOP PLATE
TG2152	CASQUETTE 1 TREMIE	1 HOPPER TOP PLATE
TG3122	REHAUSSE CASQUETTE	STAINLESS STEEL SHEET

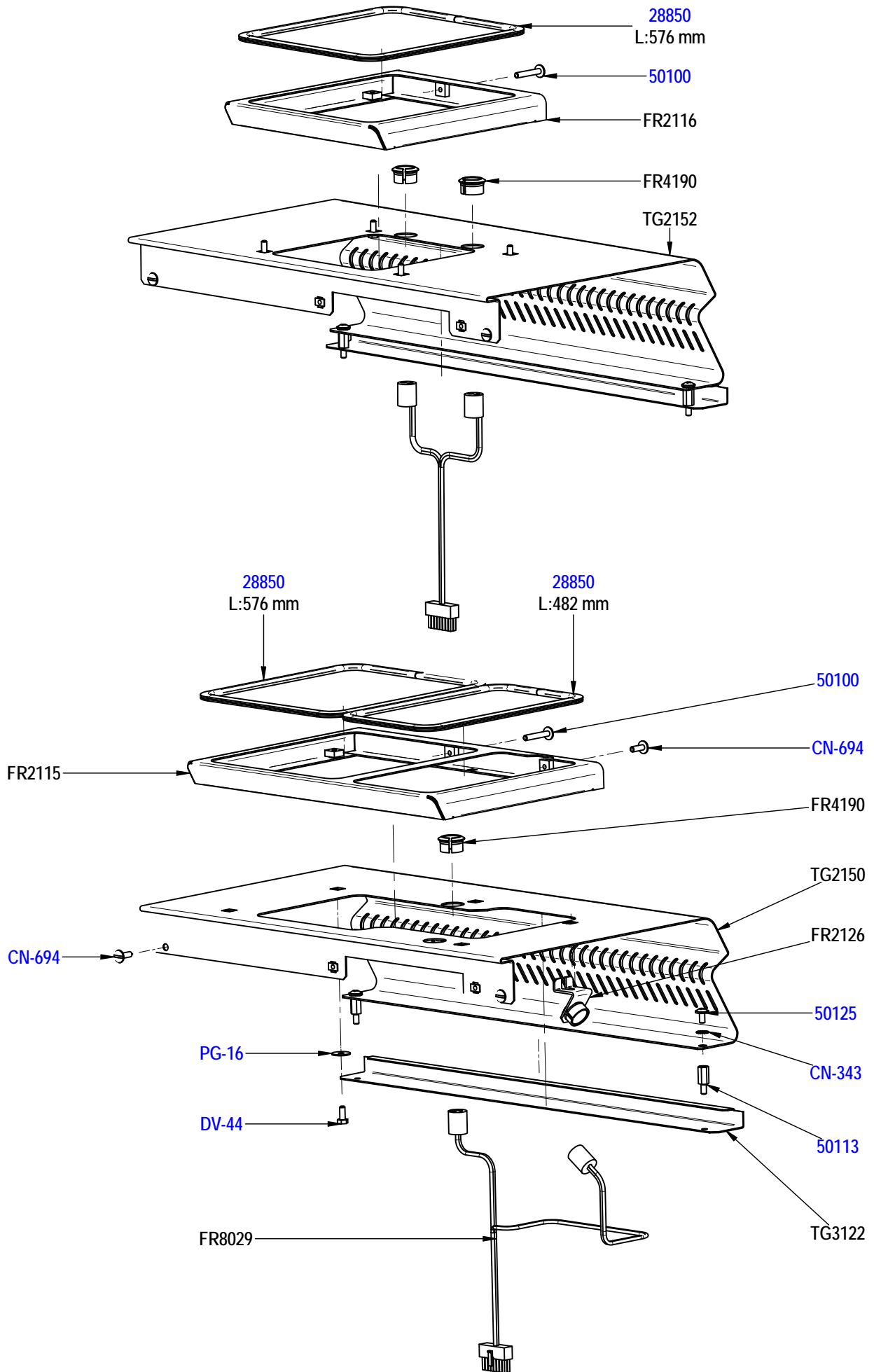
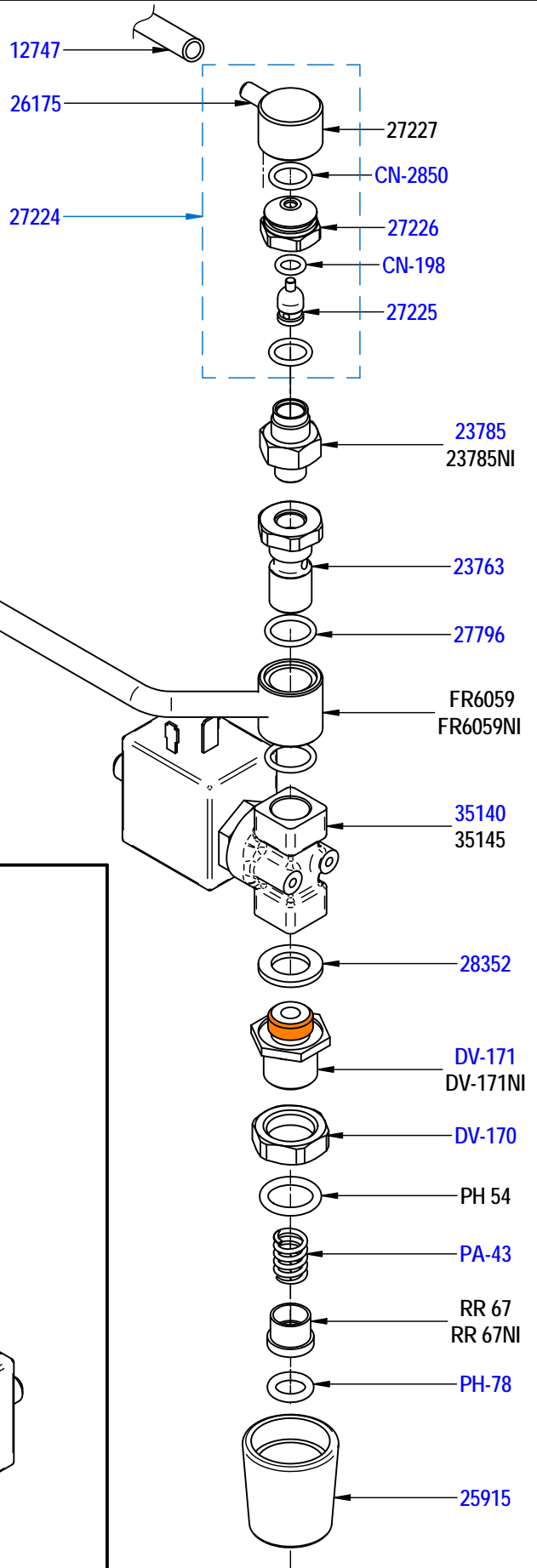


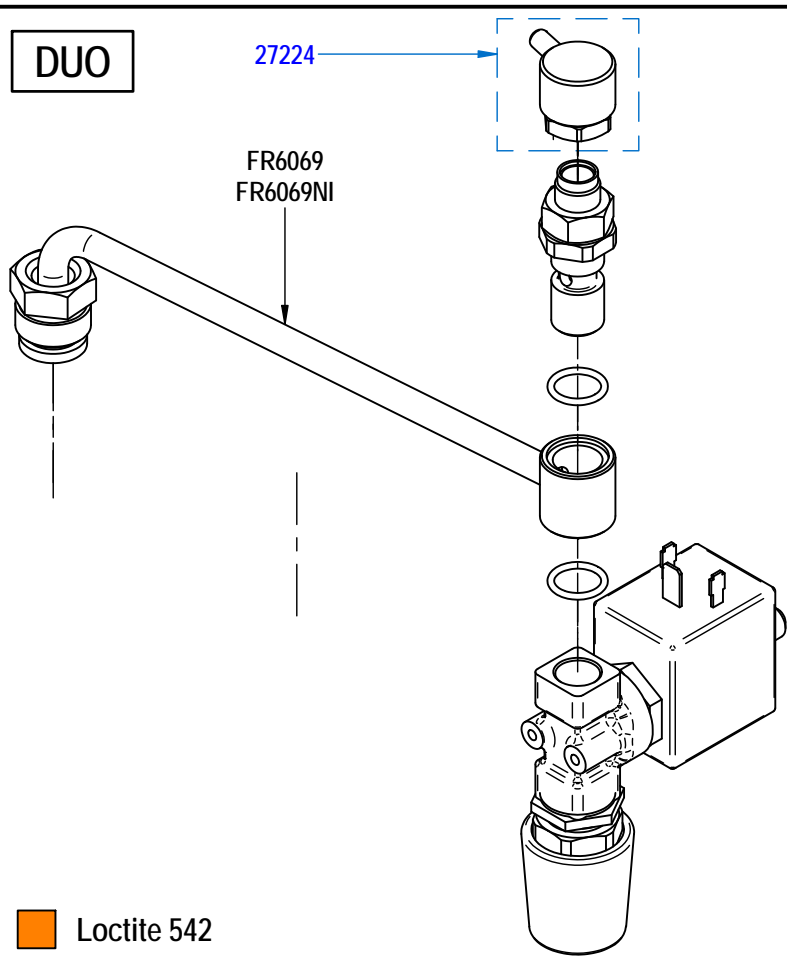
PLANCHE - PLATE 201

REF	DESIGNATIONS FR	DESIGNATIONS GB
12747	TUBE SILICONE SOUPLE 4 - 7	FLEXIBLE SILICONE PIPE 4 - 7
23763	AXE BANJO 1/4M - 1/8F	BANJO SCREW 1/4M 1/8F
23785	CORPS DE VALVE 1/8	VALVE BODY
25915	CACHE SORTIE EAU VAPEUR	COVER OUTLET STEAM WATER
26175	EMBOUT M6	M6 NOZZLE
27224	KIT VALVE DE PURGE	VACCUM VALVE KIT
27225	TIGE VALVE SPHERIQUE	SPHERICAL ROD
27226	ECROU VALVE DE PURGE	VACCUM VALVE NUT
27227	CABOCHON VALVE DE PURGE	STOPPER PURGE VALVE
27796	JOINT TORIQUE 1,78 X 12,42 NEXUS	O RING 1.78 X 12,42
28352	JOINT PLAT 20X12X2 EPDM 70SH	GASKET 20X12X2
35140	ELECTROVANNE 3/2 24V-50/60	ELECTROVALVE 3/2 24V-50/60
35145	ELECTROVANNE 3/2 24V-50/60 NICKEELE	ELECTROVALVE 3/2 24V-50/60 NICKEL-PLATED
23785NI	CORPS DE VALVE 1/8 NICKEELE	VALVE BODY NICKEL-PLATED
CN-198	JOINT TORIQUE 1,78X6,07 FKM	GASKET - 6.07 x 1.78
CN-2850	JOINT TORIQUE 1,78X10,82	GASKET 10.82x1.78
DV-170	ECROU CHROME	NUT 3/8
DV-171	RACCORD 3/8-1/4	FITTING 3/8
DV-171NI	RACCORD 3/8 1/4 NICKEELE	FITTING 3/8 1/4 NICKEL-PLATED
FR6059	TUBE EV SORTIE VAPEUR	EV STEAM OUTLET PIPE
FR6059NI	TUBE EV SORTIE VAPEUR NSF	EV STEAM OUTLET PIPE
FR6069	TUBE VAPEUR DUO	STEAM PIPE
FR6069NI	TUBE VAPEUR DUO NSF	STEAM PIPE NSF
PA-43	RESSORT F15/10 L14,5 D10,5 P3	SPRING
PH-54	JOINT TORIQUE 2,62X13,95 EPDM	O RING - 13.95 x 2.62
PH-78	JOINT TORIQUE 2,62X9,13 EPDM	O RING - 9,13 X 2,62
RR-67	EMBOUT LAITON	BRASS END
RR-67NI	EMBOUT LAITON NICKEELE	BRASS END NICKEL-PLATED

SOLO & ACE



DUO




 Loctite 542

PLANCHE - PLATE 212

REF	DESIGNATIONS FR	DESIGNATIONS GB
25903	SORTIE VAPEUR INOX V+	V+ STAINLESS STEEL STEAM OUTLET
25910	POIGNEE SORTIE EAU CHAUDE ET VAPEUR	HOT WATER AND STEAM OUTLET HANDLE
25911	BAGUE POUR POIGNEE EAU ET VAPEUR	WATER AND STEAM HANDLE COLLAR
25932	EMBOUT POUR TUBE	TIP FOR PIPE
25933	ECROU POUR TUBE	NUT FOR PIPE
25934	BRISE JET VAPEUR M6.75x0.75	BREEZE JET STEAM M6.75x0.75
25935	TUBE VAPEUR MIRA HAUTE INOX	STEAM PIPE STAINLESS

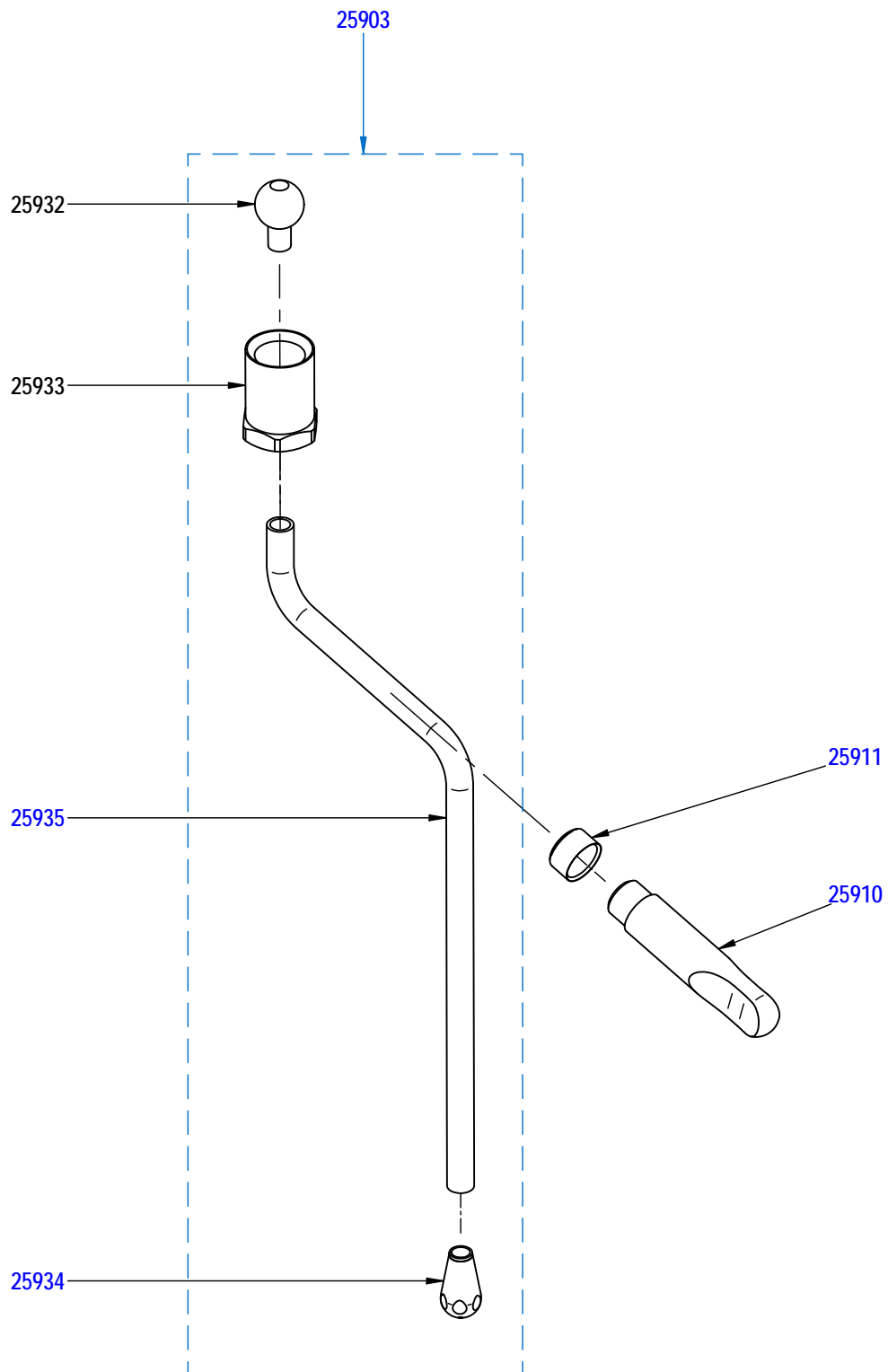
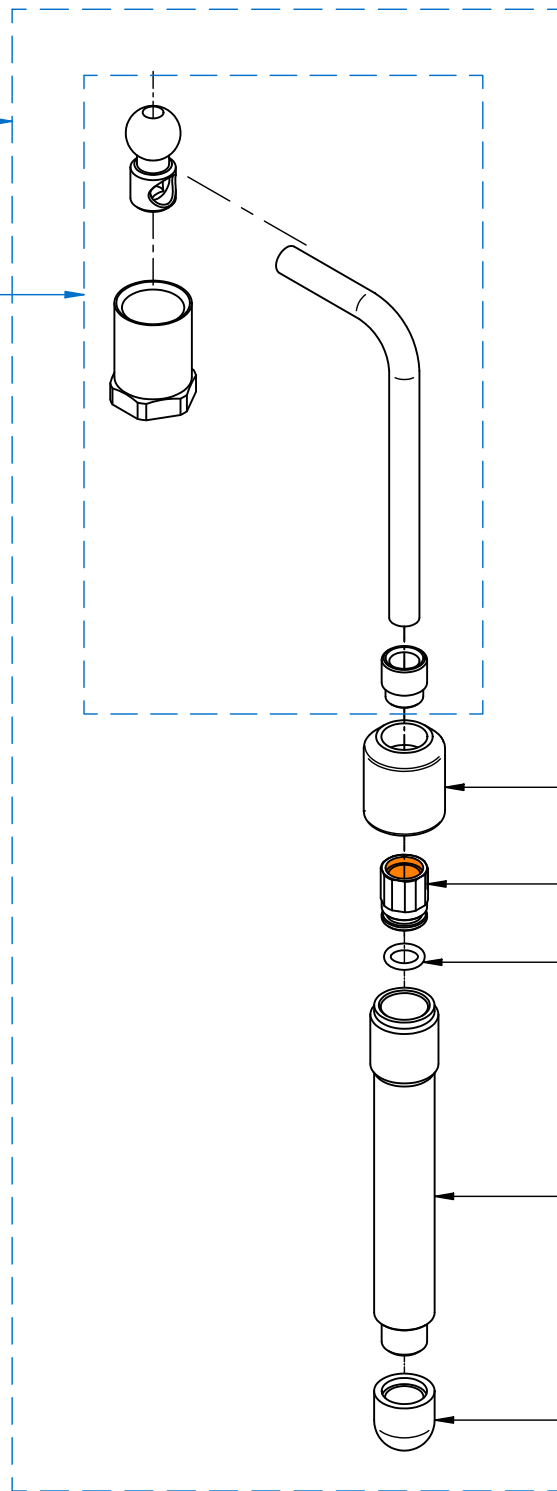


PLANCHE - PLATE 221

REF	DESIGNATIONS FR	DESIGNATIONS GB
CN-436	JOINT TORIQUE 1,78X8,73 EPDM	GASKET 8,73 X 1,78
FR1058	SORTIE VAPEUR PTFE	PTFE STEAM OUTLET
FR6014	TUBE SORTIE VAPEUR PTFE	PTFE STEAM OUTLET PIPE
RO-70	EMBOUT VAPEUR TEFLON 6 TROUS	LOW TEFLON PIPE
RO-72	TUBE TEFLON	PIPE TEFLON
RO-73	RACCORD SORTIE VAPEUR	FITTING STEAM OUTLET
RO-73NI	RACCORD SORTIE VAPEUR NSF	FITTING STEAM OUTLET NSF
RO-76	BAGUE SORTIE VAPEUR	FITTING PLASTIC

FR1058

FR6014



RO-76

RO-73
RO-73NI

CN-436

RO-72

RO-70

 Loctite 542

03/16

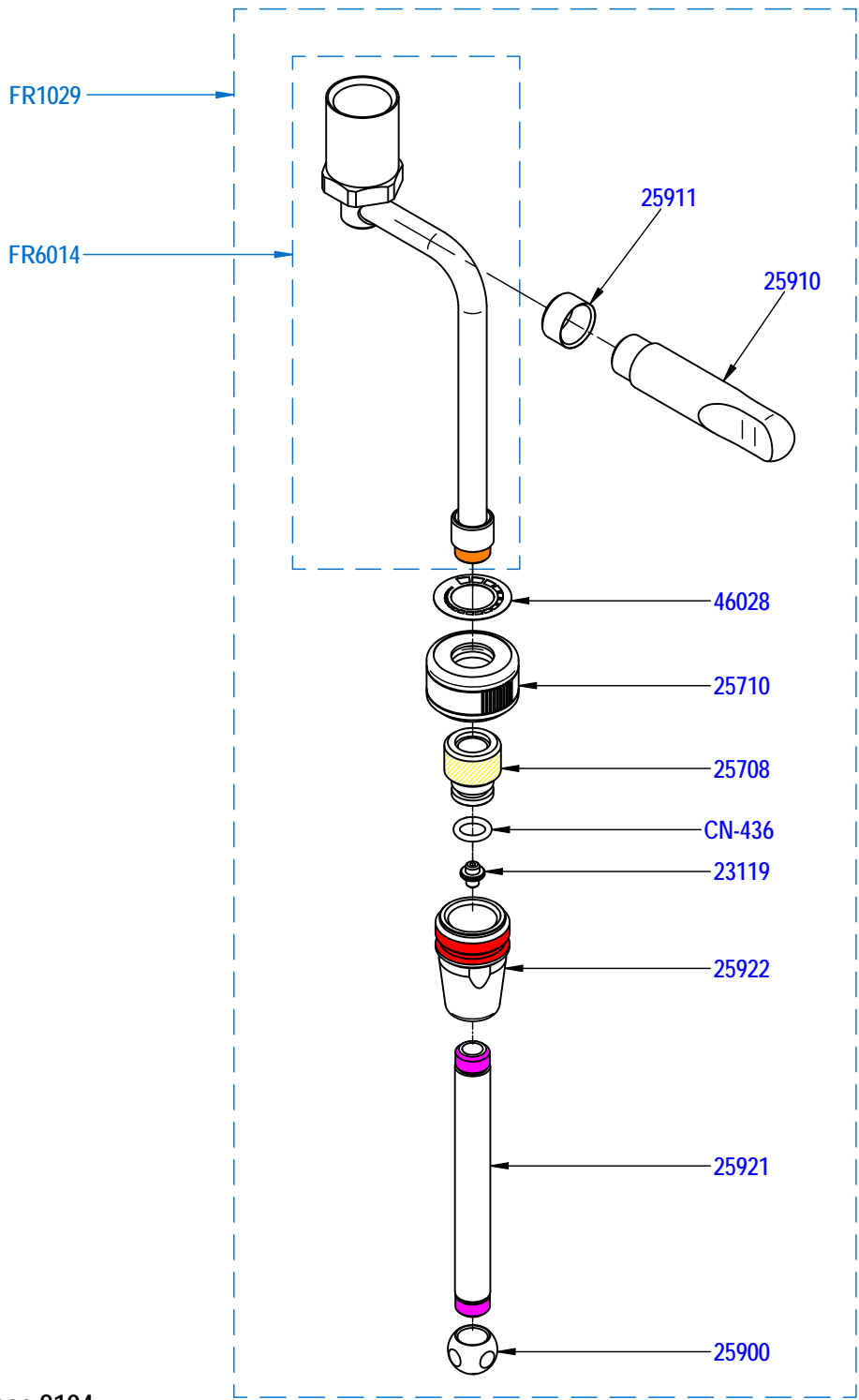
SORTIE VAPEUR PTFE
PTFE STEAM OUTLET

UNIC

221

PLANCHE - PLATE 232

REF	DESIGNATIONS FR	DESIGNATIONS GB
23119	GICLEUR DIAM:0,9	GICLUER DIAM. 0.9
25708	RACCORD SORTIE DEBIT REGLABLE	ADJUSTABLE OUTLET FITTING
25710	MOLETTE POUR SORTIE DEBIT REGLABLE	ADJUSTABLE OUTLET TOOTHED WHEEL
25900	BRISE JET BOULE POUR IRISH	ANTI PLASH BALL FOR IRISH
25910	POIGNEE SORTIE EAU CHAUDE ET VAPEUR	HOT WATER AND STEAM OUTLET HANDLE
25911	BAGUE POUR POIGNEE EAU ET VAPEUR	WATER AND STEAM HANDLE COLLAR
25921	RALLONGE SORTIE IRISH	IRISH OUTLET EXTENSION
25922	EMBOUT SORTIE IRISH DEBIT REGLABLE	ADJUSTABLE FLOW IRISH NOZZLE
46028	AUTOCOLLANT SORTIES REGLABLES	ADJUSTABLE OUTLET STICKER
CN-436	JOINT TORIQUE 1,78X8,73 EPDM	GASKET 8,73 X 1,78
FR1029	SORTIE VAPEUR REGLABLE	ADJUSTABLE STEAM OUTLET
FR6014	TUBE SORTIE VAPEUR PTFE	PTFE STEAM OUTLET PIPE



- Graisse 8104
- Loctite 542
- Loctite 262
- Loctite 222

PLANCHE - PLATE 241

REF	DESIGNATIONS FR	DESIGNATIONS GB
25904	RALLONGE SORTIE CAPPUCINO	CAPPUCINO OUTLET EXTENSION
25906	SUPPORT DE SONDE TANGO	TANGO PROBE SUPPORT
25907	TUBE PTFE STEAMAIR	PTFE STEAMAIR PIPE
25908	EMBOUT PTFE 17 TROUS	17 HOLES END PIPE
28104	JOINT TORIQUE 2X9,5 FKM 80SH	GASKET 2X9,5
34406	SONDE VAPEUR THERMOSTATEE V+	V+ THERMOSTATED STEAM PROBE
CN-436	JOINT TORIQUE 1,78X8,73 EPDM	GASKET 8,73 X 1,78
FR1038	SORTIE STEAMAIR V+	V+ STEAMAIR OUTLET
PC-38	VIS STHC M5X8 BOUT POINTU	POINT END SCREW
PH-78	JOINT TORIQUE 2,62X9,13 EPDM	O RING - 9,13 X 2,62
RO-55	BARILLET	BARREL
RO-57	MELANGEUR EN LAITON	MIXER
RO-57NI	MELANGEUR NICKELE	MIXER NICKEL-PLATED
RO-58	POUSSOIR A BILLE	THRUST BALL BEARING
RO-59A	TUBE SORTIE VAPEUR SP	CHROME COPPER TUBE
RO-68	CACHE BARILLET	BARREL COVER

FR1038

RO59A

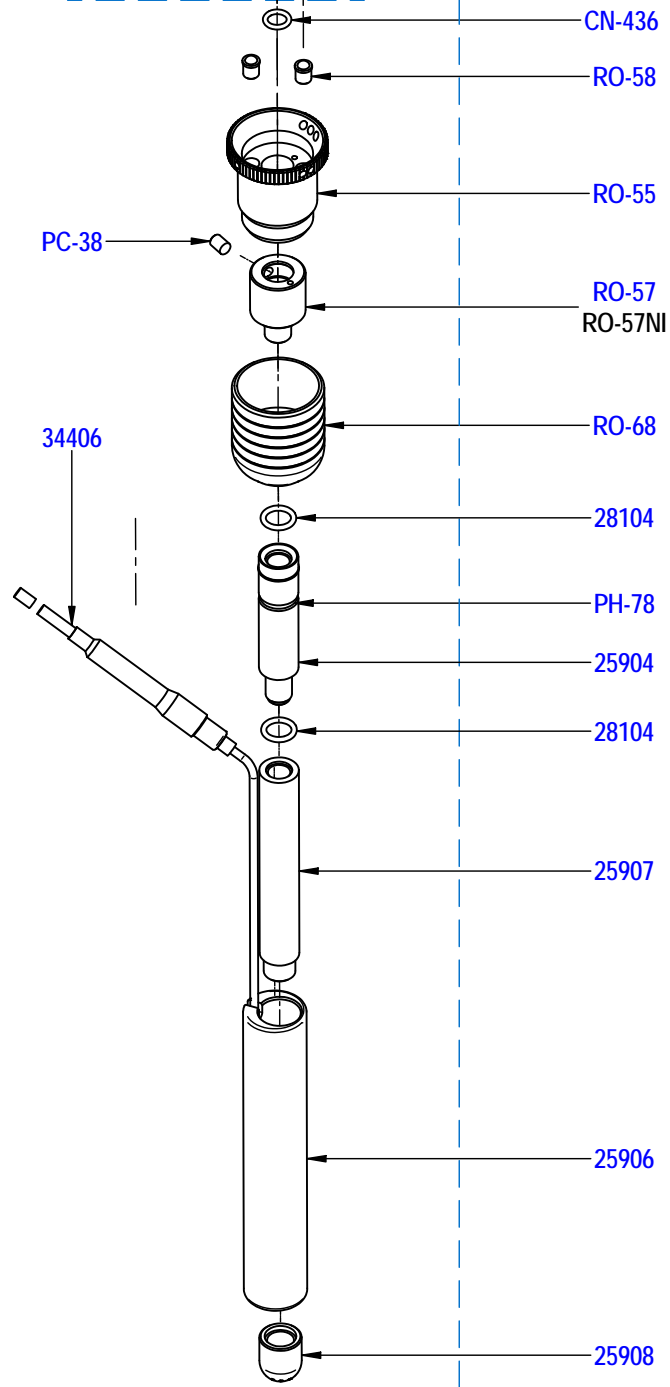
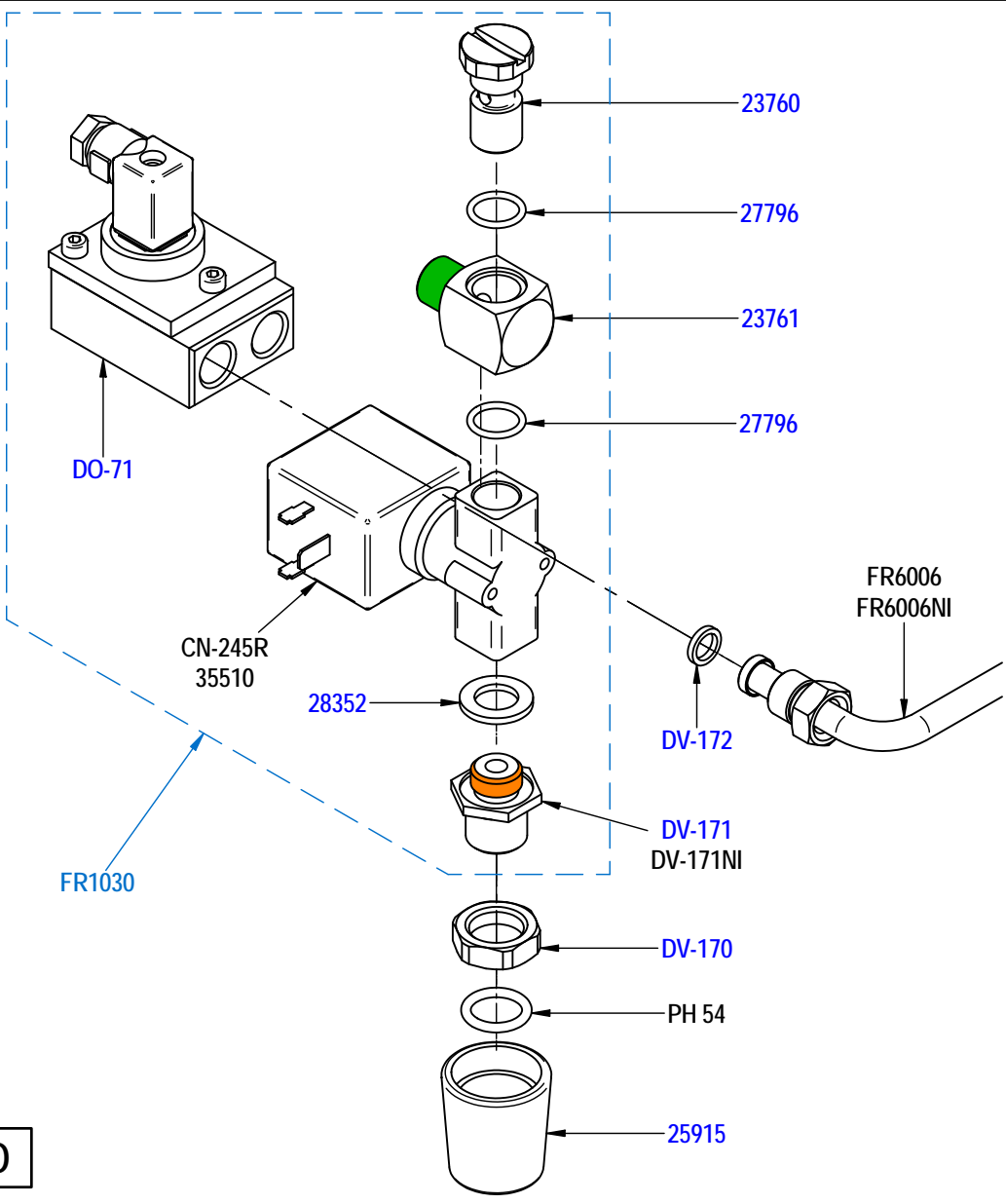


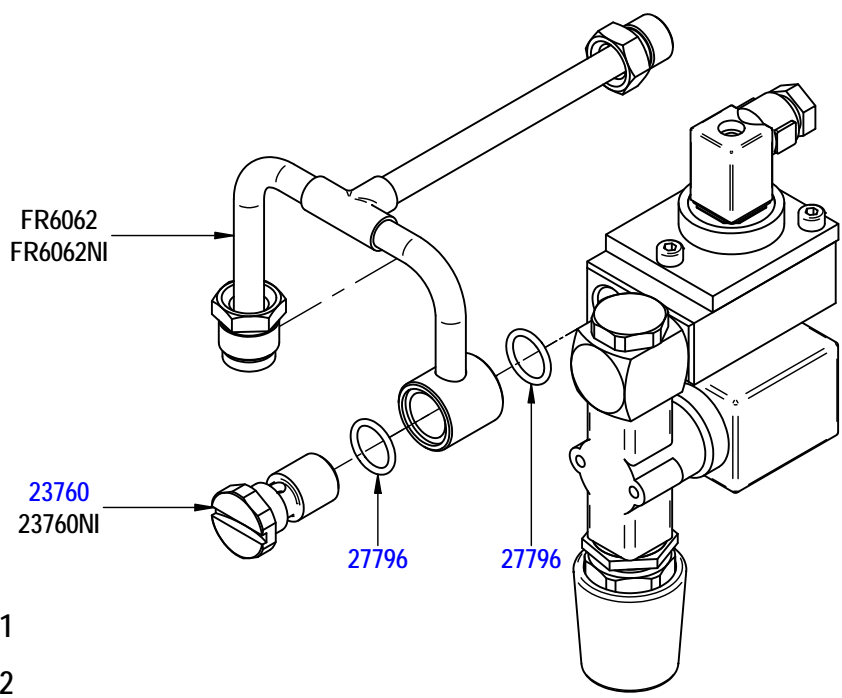
PLANCHE - PLATE 251

REF	DESIGNATIONS FR	DESIGNATIONS GB
23760	AXE BANJO 1/4	BANJO SCREW 1/4
23761	CORPS DE BANJO 1/4	BANJO BODY 1/4
25915	CACHE SORTIE EAU VAPEUR	COVER OUTLET STEAM WATER
27796	JOINT TORIQUE 1,78 X 12,42 NEXUS	O RING 1.78 X 12,42
28352	JOINT PLAT 20X12X2 EPDM 70SH	GASKET 20X12X2
35510	EV 2 VOIES 24V NSF	ELECTROVALVE 2 WAYS 24V NSF
CN-245R	ELECTROVANNE 2V 24V	ELECTROVALVE 2W 24V
DO-71	DOSEUR D'EAU COMPLET D=2,5	WHOLE WATER DOS. DEVICE D:2,5
DV-170	ECROU CHROME	NUT 3/8
DV-171	RACCORD 3/8-1/4	FITTING 3/8
DV-171NI	RACCORD 3/8 1/4 NICKELE	FITTING 3/8 1/4 NICKEL-PLATED
DV-172	JOINT PLAT 11.4 X 7.5 X 1.9	GASKET
FR1030	SORTIE EAU CHAUDE HAUT	HOT WATER OUTPUT UP
FR6006	TUBE EV EAU CHAUDE	HOT WATER EV PIPE
FR6006NI	TUBE EV EAU CHAUDE NSF	HOT WATER EV PIPE
FR6062	TUBE EAU CHAUDE	HOT WATER PIPE
FR6062NI	TUBE EAU CHAUDE NSF	HOT WATER PIPE NSF
PH-54	JOINT TORIQUE 2,62X13,95 EPDM	O RING - 13.95 x 2.62



DUO

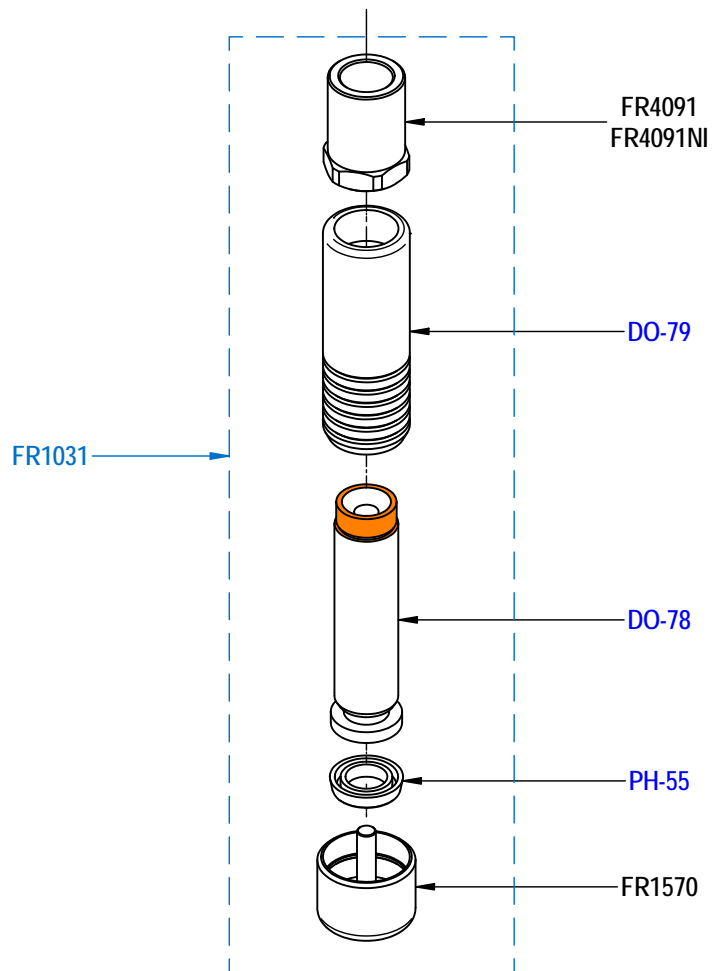
SOLO & ACE



- Loctite 601
- Loctite 542

PLANCHE - PLATE 260

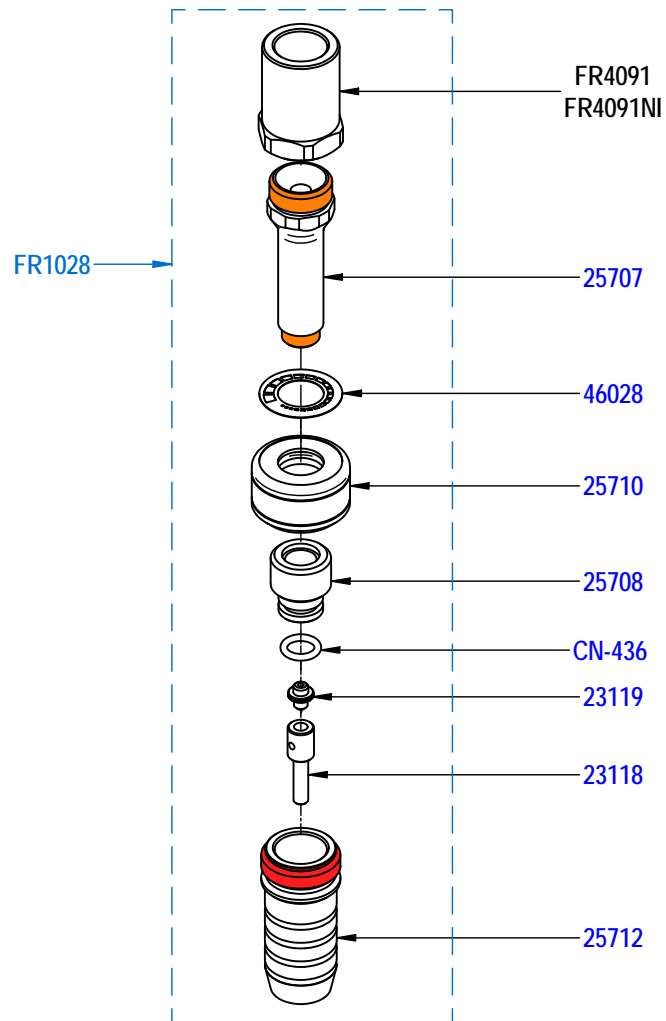
REF	DESIGNATIONS FR	DESIGNATIONS GB
DO-78	SORTIE TELESCOPIQUE	TELESCOPIC OUTLET
DO-79	RALLONGE SORTIE TELESCOPIQUE	TELESCOPIC OUTLET EXTENSION
FR1031	SORTIE EAU CHAUDE	HOT WATER OUTPUT
FR1570	BRISE JET EAU CHAUDE	ANTI SPLASH PLUG
FR4091	RACCORD ENTRETOISE 3/8F	FITTING 3/8
FR4091NI	RACCORD ENTRETOISE 3/8F NSF	FITTING 3/8 NSF
PH-55	JOINT LEVRE 11,11X19,05X3,96	GASKET 11,11 X 19,05 X 3,96



 Loctite 542

PLANCHE - PLATE 270

REF	DESIGNATIONS FR	DESIGNATIONS GB
23118	SUPPORT GICLEUR SORTIE EAU CHAUDE	<i>HOT WATER GICLUER SUPPORT</i>
23119	GICLEUR DIAM:0,9	<i>GICLUER DIAM. 0.9</i>
25707	TUBE SORTIE EAU CHAUDE REGLABLE	<i>ADJUSTABLE HOT WATER OUTLET PIPE</i>
25708	RACCORD SORTIE DEBIT REGLABLE	<i>ADJUSTABLE OUTLET FITTING</i>
25710	MOLETTE POUR SORTIE DEBIT REGLABLE	<i>ADJUSTABLE OUTLET TOOTHED WHEEL</i>
25712	EMBOUT EAU CHAUDE DEBIT REGLABLE	<i>ADJUSTABLE HOT WATER SPOUT</i>
46028	AUTOCOLLANT SORTIES REGLABLES	<i>ADJUSTABLE OUTLET STICKER</i>
CN-436	JOINT TORIQUE 1,78X8,73 EPDM	<i>GASKET 8,73 X 1,78</i>
FR1028	SORTIE EAU CHAUDE REGLABLE	<i>ADJUSTABLE HOT WATER OUTLET</i>
FR4091	RACCORD ENTRETOISE 3/8F	<i>FITTING 3/8</i>
FR4091NI	RACCORD ENTRETOISE 3/8F NSF	<i>FITTING 3/9 NSF</i>



 Loctite 542

 Loctite 262

PLANCHE - PLATE 301

REF	DESIGNATIONS FR	DESIGNATIONS GB
FR6050	TUBE REMPLISSAGE CHAUDIERE	FILLER PIPE
FR6050NI	TUBE REMPLISSAGE CHAUDIERE NSF	FILLER PIPE
FR6052	TUBE GROUPE CAFE	EV COFFEE PIPE
FR6052NI	TUBE GROUPE CAFE NSF	EV COFFEE PIPE NSF
FR6058	TUBE NETTOYAGE GROUPE CAFE	COFFEE CLEANING PIPE
FR6058NI	TUBE NETTOYAGE GROUPE CAFE NSF	COFFEE CLEANING PIPE
FR6059	TUBE EV SORTIE VAPEUR	EV STEAM OUTLET PIPE
FR6059NI	TUBE EV SORTIE VAPEUR NSF	EV STEAM OUTLET PIPE
FR6060	TUBE PLONGEUR EAU CHAUDE	HOT WATER DIVER PIPE
FR6060NI	TUBE PLONGEUR EAU CHAUDE NSF	HOT WATER DIVER PIPE
FR6061	TUBE DOSEUR	METERING UNIT PIPE
FR6061NI	TUBE DOSEUR NSF	METERING UNIT PIPE NSF
FR6062	TUBE EAU CHAUDE	HOT WATER PIPE
FR6062NI	TUBE EAU CHAUDE NSF	HOT WATER PIPE NSF
FR6064	TUBE ALIM EV NETTOYAGE	EV CLEANING PIPE
FR6064NI	TUBE ALIM EV NETTOYAGE NSF	EV CLEANING PIPE NSF
FR6513	TUBE PTFE SORTIE EAU CHAUDE L:145	OUTLET HOT WATER PIPE L:145mm
FR6513NI	TUBE PTFE SORTIE EAU CHAUDE L:145 NSF	OUTLET HOT WATER PIPE L:145mm
FR6520	TUBE CAFE lg 238 mm	COFFEE PIPE length 238 mm
FR6521	TUBE DETERGENT	DETERGENT PIPE
FR6525	TUBE DE DECOMPRESSION L 400MM	DISCHARGE PIPE L 400MM
ID-75	TUBE FLEXIBLE COUDE ARME INOX	FLEXIBLE PIPE

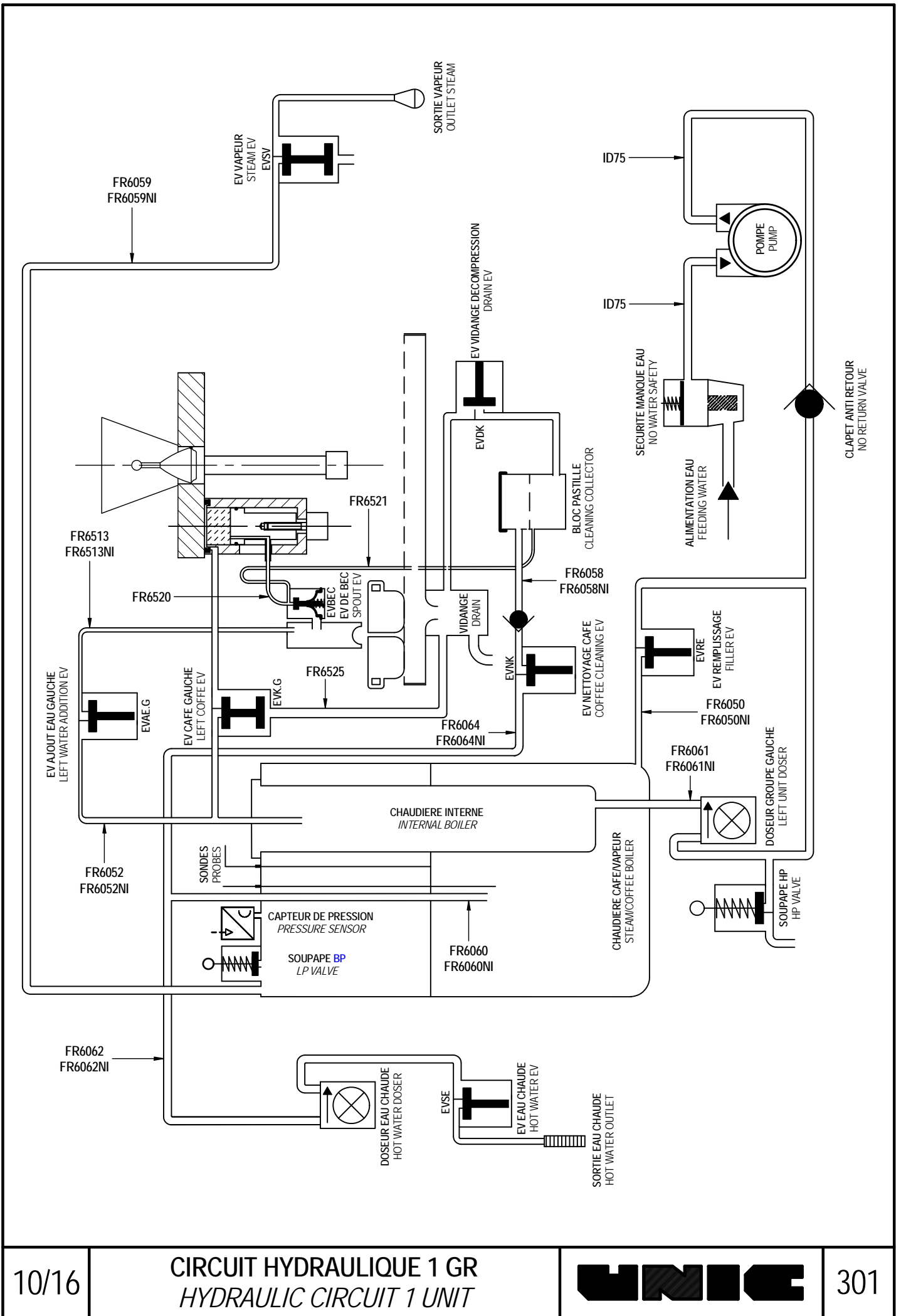
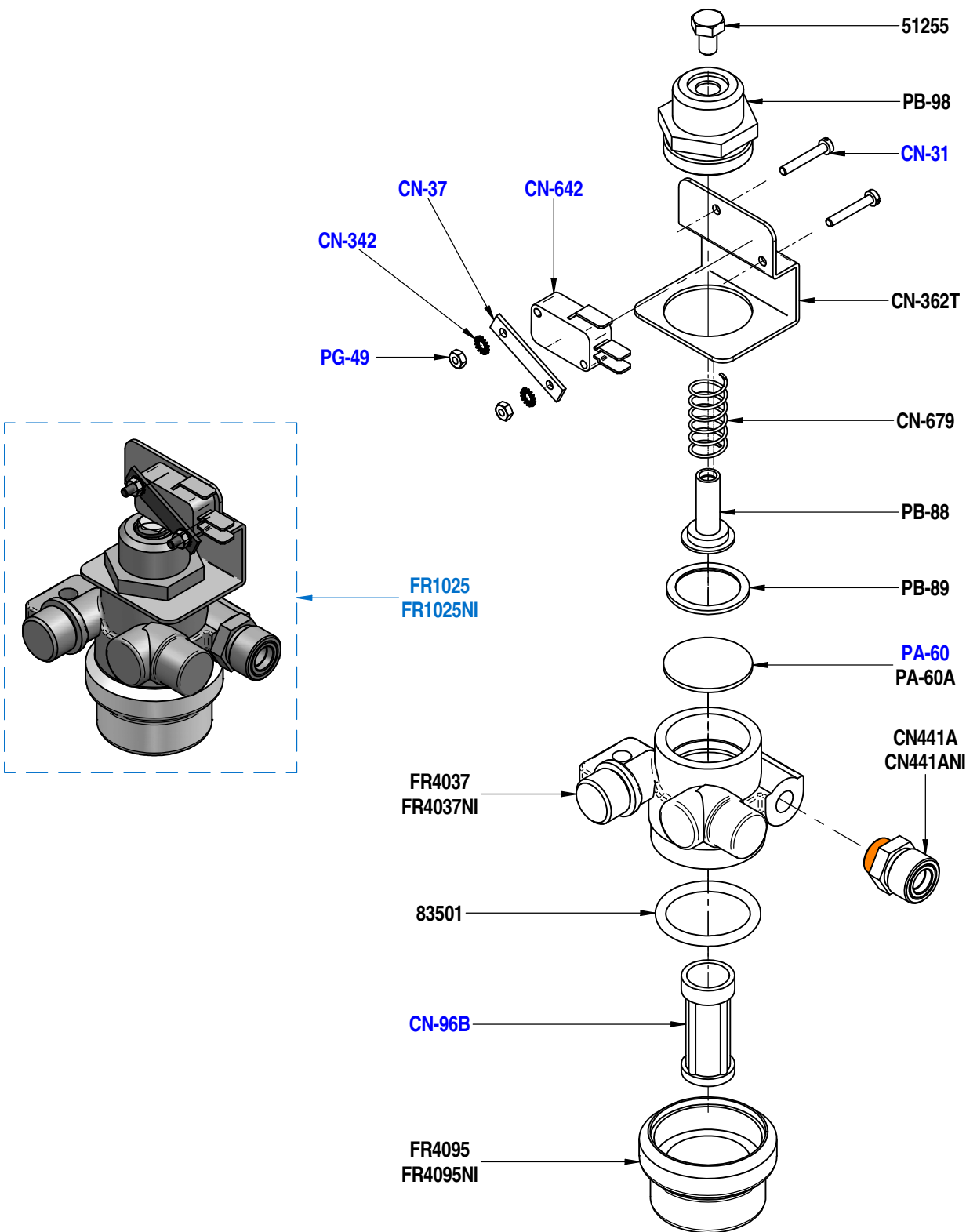


PLANCHE - PLATE 310

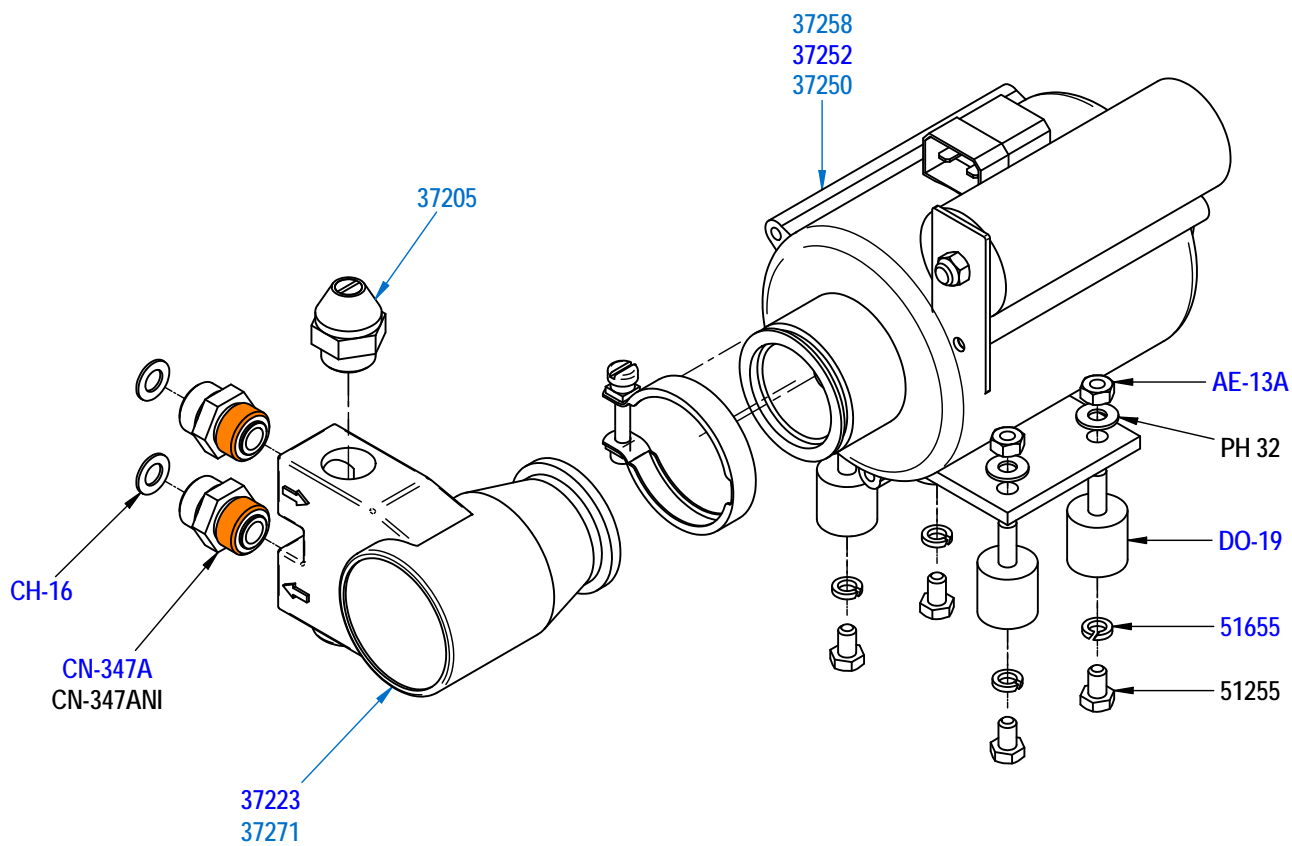
REF	DESIGNATIONS FR	DESIGNATIONS GB
51255	VIS TH M6 X 10 INOX	S. STEEL SCREW M6 X 10
83501	JOINT TORIQUE 3,53 X 29,75	GASKET 3,53 X 29,75
CN-31	VIS TC M3 X 20 INOX	SCREW M3 X 20
CN-342	RONDELLE EVENTAIL 3	WASHER 3
CN-362T	SUPPORT TOLE POUR MINIRUPTEUR	MICROSWITCH HOLDER
CN-37	PATTE INOX FIXATION MINIRUPT.	MICROSWITCH HOLDING BAR
CN-441A	RACCORD 1/4M-3/8M	FITTING 1/4 3/8
CN-441ANI	RACCORD 1/4M-3/8M NICKELE	FITTING 1/4 3/8 NICKEL-PLATED
CN-642	MINIRUPTEUR F=300GR FLASHE OR	MICROSWITCH
CN-679	RESSORT SECU. EAU D13 P5 L30	SPRING
CN-96B	CARTOUCHE POUR FILTRE 80 MIC	FILTER CARTRIDGE 80 MICRONS
FR1025	SECURITE MANQUE D'EAU	NO WATER SAFETY
FR1025NI	SECURITE MANQUE D'EAU NSF	NO WATER SAFETY NSF
FR4037	BLOC FILTRE SECURITE EAU	WATER SAFETY BODY
FR4037NI	BLOC FILTRE SECURITE EAU NSF	WATER SAFETY BODY NSF
FR4095	CUVE FILTRE LAITON	BRASS WATER SAFETY DISK
FR4095NI	CUVE FILTRE LAITON NSF	BRASS WATER SAFETY DISK NSF
PA-60	MEMBRANE D30	MEMBRANE D30
PA-60A	MEMBRANE D30 NICKELE	MEMBRANE D30 NICKEL-PLATED
PB-88	PISTON	PISTON
PB-89	RONDELLE POUR MEMBRANE	TIGHTENING WASHER
PB-98	EMBOUT	FITTING
PG-49	ECROU INOX Hu DE 3	NUT M3



 Loctite 542

PLANCHE - PLATE 321

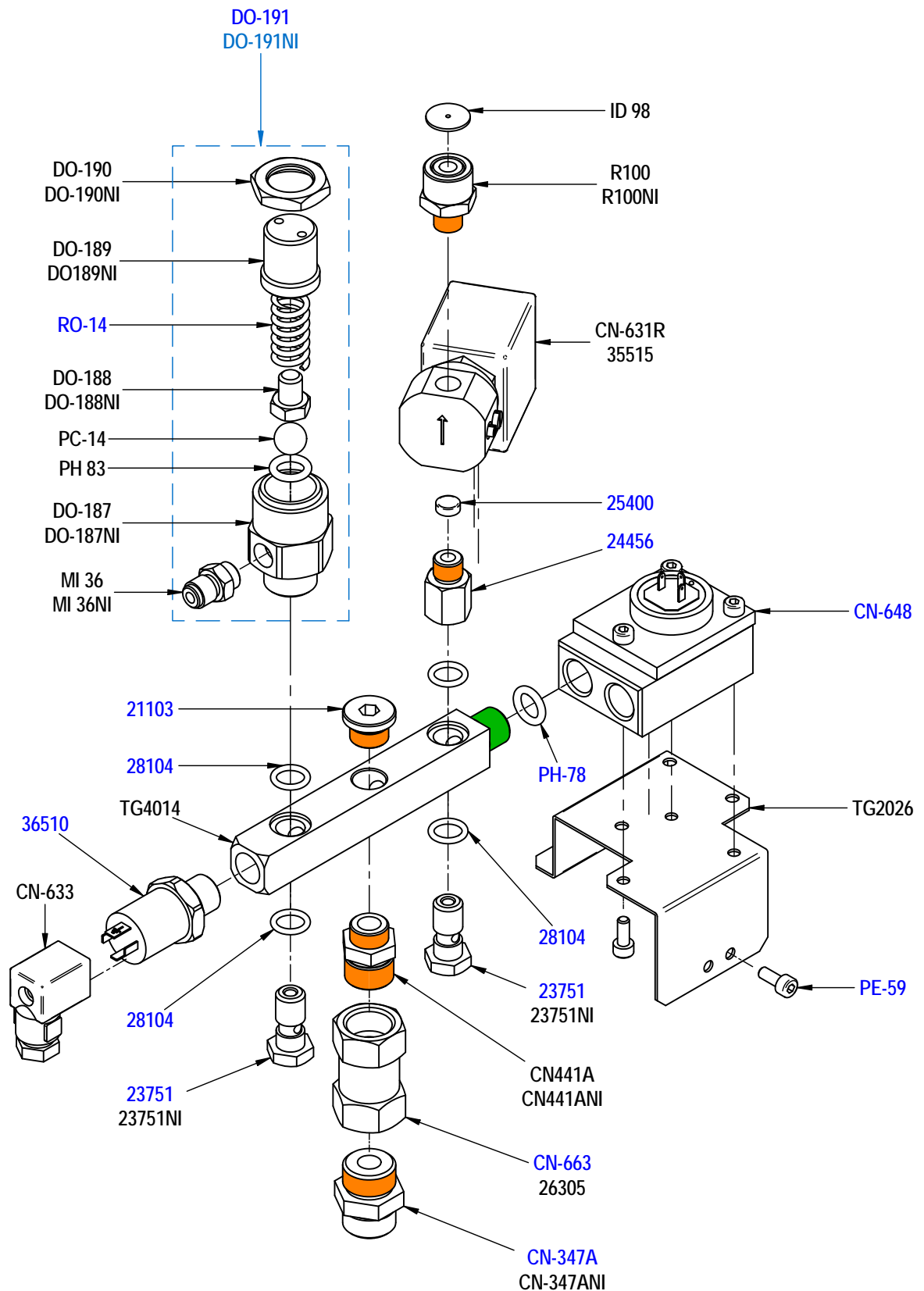
REF	DESIGNATIONS FR	DESIGNATIONS GB
37205	BY PASS POUR POMPE FLUIDOTECH	<i>BY PASS FOR FLUIDOTECH PUMP</i>
37223	POMPE ROTATIVE 100L/H PROCON	<i>PROCON PUMP 100L/H</i>
37250	MOTEUR 220V 50 HZ 120W	<i>MOTOR 220V 50 HZ 120W</i>
37252	MOTEUR 220V60 HZ UL	<i>MOTOR 220V 60 HZ UL</i>
37258	MOTEUR 240V 50HZ 120W	<i>MOTOR 240V 50HZ 120W</i>
37271	POMPE ROTATIVE 100L/H INOX (NSF-USA)	<i>PUMP 100L/H STAINLESS STEEL (NSF-USA)</i>
51255	VIS TH M6 X 10 INOX	<i>S. STEEL SCREW M6 X 10</i>
51655	RONDELLE GROWER DE 6	<i>WASHER 6</i>
AE-13A	ECROU INOX Hu 6-100	<i>NUT M6</i>
CH-16	JOINT CUIVRE RECUIT 3/8	<i>WASHER - COPPER - 3/8</i>
CN-347A	RACCORD D'ALIM. 3/8 - 3/8 MM	<i>FITTING - 3/8 X 3/8 -</i>
CN-347ANI	RACCORD D'ALIM 3/8 3/8 NICKELE	<i>FITTING 3/8 3/8 NICKEL-PLATED</i>
DO-19	PLOT APB 20-20	<i>SILENTBLOC</i>
PH-32	RONDELLE ACIER Zn 6,25x14x1,2	<i>WASHER</i>



 Loctite 542

PLANCHE - PLATE 330

REF	DESIGNATIONS FR	DESIGNATIONS GB
21103	BOUCHON 1/4	PLUG 1/4
23751	AXE DE BANJO 1/8	BANJO SCREW
24456	RACCORD DROIT 1/8M 1/8F	FITTING 1/8
25400	FILTRE INOX	FILTER
26305	CLAPET ANTI RETOUR COMPACT NSF	NON RETURN VALVE NSF
28104	JOINT TORIQUE 2X9,5 FKM 80SH	GASKET 2X9,5
35515	EV 2 VOIES 24V 50-60HZ NSF	EV 2 WAYS 24V 50-60HZ NSF
36510	CAPTEUR DE PRESSION 0-16b	0-16b PRESSURE SENSOR
23751NI	CORPS DE BANJO NICKELE	BANJO BODY NICKEL-PLATED
CN-347A	RACCORD D'ALIM. 3/8 - 3/8 MM	FITTING - 3/8 X 3/8 -
CN-347ANI	RACCORD D'ALIM 3/8 3/8 NICKELE	FITTING 3/8 3/8 NICKEL-PLATED
CN-441A	RACCORD 1/4M-3/8M	FITTING 1/4 3/8
CN-441ANI	RACCORD 1/4M-3/8M NICKELE	FITTING 1/4 3/8 NICKEL-PLATED
CN-631R	ELECTROVANNE 2V REG 24V50-60HZ	ELECTROVALVE 2W ADJ. 24V50-60HZ
CN-633	CONNECTEUR DE COMPT. VOLUM.	CONNECTOR
CN-648	COMPTEUR VOLUMETRIQUE	WHOLE W.DOSING DEVICE
CN-663	CLAPET ANTI RETOUR COMPACT	VALVE - NON-RETURN
DO-187	CORPS DE SOUPAPE	VALVE BODY
DO-187NI	CORPS DE SOUPAPE NICKELE	VALVE BODY NICKEL-PLATED
DO-188	TIGE DE SOUPAPE	VALVE PISTON
DO-188NI	TIGE DE SOUPAPE NICKELE	PISTON VALVE NICKEL-PLATED
DO-189	ECROU DE SOUPAPE	VALVE NUT
DO-189NI	ECROU DE SOUPAPE NICKELE	VALVE NUT NICKEL-PLATED
DO-190	CONTRE ECROU M18 X 100	NUT M18 X 100
DO-190NI	CONTRE ECROU M18 X 100 NICKELE	NUT M18 X 100 NICKEL-PLATED
DO-191	SOUPAPE H.P. COMPLETE	COMPLET H.P. VALVE
DO-191NI	SOUPAPE H.P. COMPLETE NSF	COMPLET H.P. VALVE NSF
ID-98	JOINT CUIVRE GICLEUR D1.7X14.5	JET COPPER GASKET D1.7X14.5
MI-36	RACCORD 1/8M 1/8M	CONNECTION 1/8
MI-36NI	RACCORD 1/8M 1/8M NICKELE	CONNECTION 1/8 NICKEL-PLATED
PC-14	BILLE INOX POLIE DE 11	STAINLESS STEEL BALL DIA 11
PE-59	VIS TCHC M4x10 INOX	SCREW 4 X 10
PH-78	JOINT TORIQUE 2,62X9,13 EPDM	O RING - 9,13 X 2,62
PH-83	JOINT TORIQUE 2,62X9,19 PTFE	O RING 9,19 X 2,62 PTFE
R-100	RACCORD LAITON	FITTING
R-100NI	RACCORD LAITON NICKELE	FITTING NICKEL-PLATED
RO-14	RESSORT F20/10L26.5 D13 P5	SPRING
TG2026	TOLE SUPPORT DOSEUR	HOLDER SHEET DOSER
TG4014	RACCORD NOURRICE 3 VOIES	FITTING 3 WAYS



- Loctite 601
- Loctite 542

PLANCHE - PLATE 340

REF	DESIGNATIONS FR	DESIGNATIONS GB
12724	TUBE SILICONE D20	SILICONE PIPE
23790	PORTE SONDE EN LAITON	LEVEL PROBE HOLDER
26503	ENSEMBLE NIVEAU SONDE 1/4	LEVEL PROBE 1/4 SET
26520	SONDE DE NIVEAU L=250	LEVEL PROBE
26525	SONDE DE NIVEAU L=212	LEVEL PROBE L=212
26526	SONDE DE NIVEAU HAUT	HIGH LEVEL PROBE
26527	SONDE DE NIVEAU BAS	LOW LEVEL PROBE
27200	SOUPAPE VAPEUR BP 3,5 BARS	LP VALVE 3.5 BARS
27220	SOUPAPE VAPEUR BP 3,5 BARS NSF	LP VALVE 3.5 BARS NSF
29053	RONDELLE ISOLATION CHAUDIERE	BOILER INSULATION WASHER
29055	CHAUDIERE	BOILER
29815	CACHE RESISTANCE	INSULATOR BOOT
29855	ELEMENT CHAUFFANT 230V 4500W	HEATING ELEMENT 230V 4500W
36510	CAPTEUR DE PRESSION 0-16b	0-16b PRESSURE SENSOR
85210	ISOLANT CHAUDIERE	THERMIC INSULATOR
23790NI	PORTE SONDE EN LAITON NICKELE	LEVEL PROBE HOLDER NICKEL-PLATED
26503NI	ENSEMBLE NIVEAU SONDE 1/4 NICKELE	LEVEL PROBE 1/4 SET NICKEL-PLATED
26526NI	SONDE DE NIVEAU HAUT NICKELE	WHOLE HIGH LEVEL PROBE NICKEL-PLATED
26527NI	SONDE DE NIVEAU BAS NICKELE	WHOLE LOW LEVEL PROBE NICKEL-PLATED
29055NI	CHAUDIERE NICKELE	BOILER NICKEL-PLATED
29855NI	ELEMENT CHAUFFANT 230V 4500W	HEATING ELEMENT 230V 4500W
CV-20	JOINT TORIQUE 3,53X66,68 FKM	GASKET - 66.68 x 3.53
CV-3	VIS TH M8 x 20 INOX	S.STEEL SCREW M8 x 20
FR6060	TUBE PLONGEUR EAU CHAUDE	HOT WATER DIVER PIPE
FR6060NI	TUBE PLONGEUR EAU CHAUDE NSF	HOT WATER DIVER PIPE
NA-70	BLOCAGE ELECTRODE NIVEAU AUTO	LEVEL PROBE COMPRESSION NUT
NA-71	PORTE-ELECTRODE EN TEFLON	LEVEL PROBE INSULATION
RR-83	RONDELLE GROVER DE 8	WASHER 8
TG4015	RACCORD CAPTEUR DE PRESSION	PRESSURE SENSOR FITTING

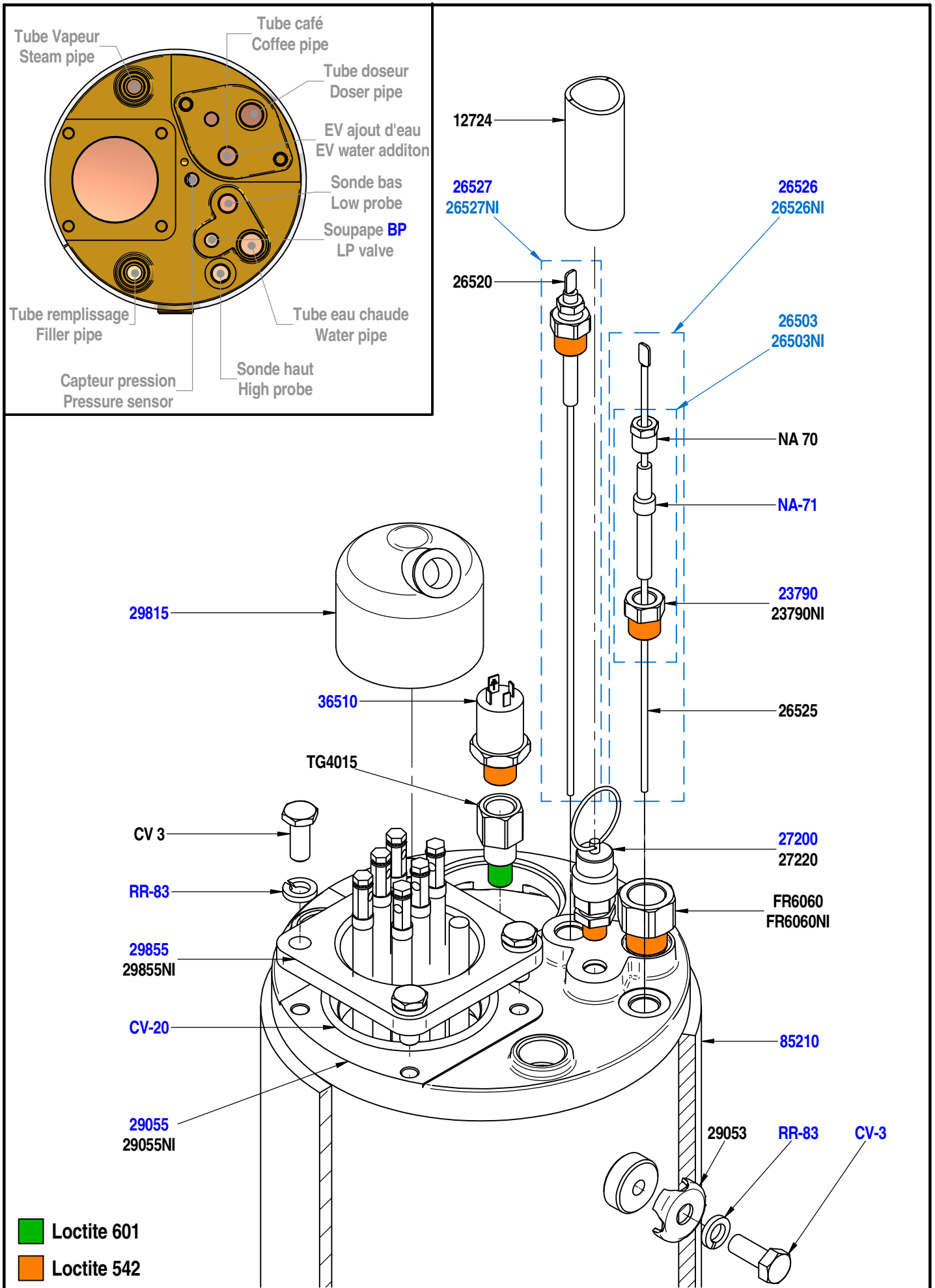
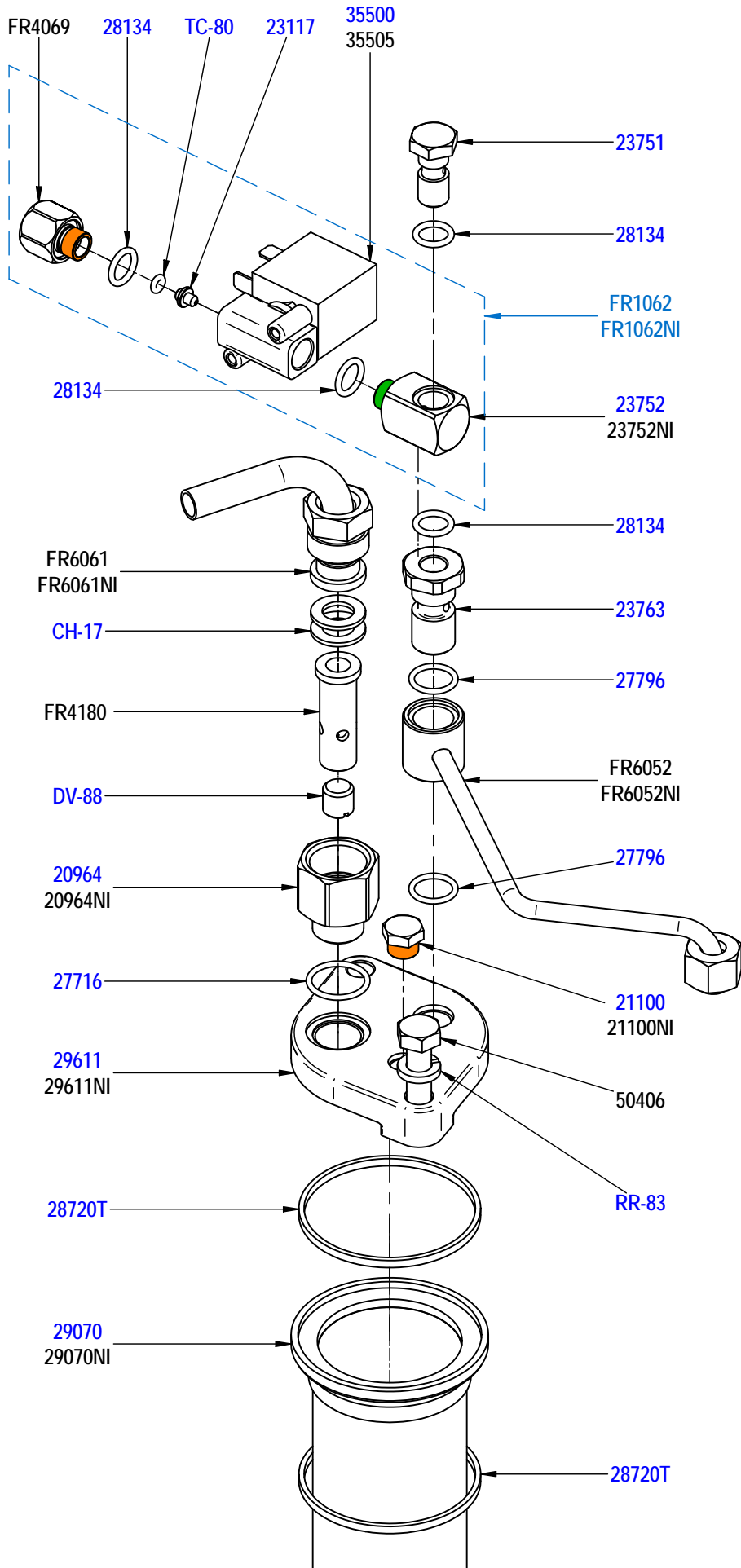


PLANCHE - PLATE 345

REF	DESIGNATIONS FR	DESIGNATIONS GB
20964	RACCORD 3/8M 1/2F	CONNECTION 3/8M 1/2F
21100	BOUCHON 1/8	PLUG 1/8
23117	GICLEUR DIAM:0,7	JET DIAM. 0.7
23751	AXE DE BANJO 1/8	BANJO SCREW
23752	CORPS DE BANJO 1/8	BANJO BODY FOR UNIT HEAD
23763	AXE BANJO 1/4M - 1/8F	BANJO SCREW 1/4M 1/8F
27716	JOINT TORIQUE 1,78 X 17.17 FKM	GASKET 1,78 X 17.17
27796	JOINT TORIQUE 1,78 X 12,42 NEXUS	O RING 1.78 X 12,42
28134	JOINT TORIQUE 2X9,5 NEXUS	O RING 2X9,5
29070	CHAUDIERE INTERNE	INTERNAL BOILER
29611	BRIDE DE CHAUDIERE	FLANGE BOILER
35500	ELECTROVANNE 2 VOIES 24V D2.3	ELECTROVALVE 2 WAYS 24V D2,3
35505	ELECTROVANNE 2 VOIES 24V NSF	2 WAYS ELECTROVALVE
50406	VIS H M8X25 INOX	S.S SCREW M8X25
20964NI	RACCORD DROIT 1/8G NICKELE	FITTING 1/8G NICKEL-PLATED
21100NI	BOUCHON 1/8 NICKELE	PLUG 1/8 NICKEL-PLATED
23752NI	CORPS DE BANJO GROUPE NICKELE	BANJO BODY FOR UNIT HEAD NICKEL-PLATED
28720T	JOINT PLAT PTFE	PTFE FLAT GASKET
29070NI	CHAUDIERE INTERNE NICKELE	INTERNAL BOILER NICKEL-PLATED
29611NI	BRIDE DE CHAUDIERE NICKELE	FLANGE BOILER NICKEL-PLATED
CH-17	JOINT CUIVRE RECUIT 1/2	WASHER - COPPER - 1/2
DV-88	BOUCHON	PLUG
FR1062	ENSEMBLE EV AJOUT EAU	ADDING WATER EV SET
FR1062NI	ENSEMBLE EV AJOUT EAU NSF	ADDING WATER EV SET NSF
FR4069	RACCORD 1/8M M8 X 100	FITTING 1/8M M8 X 100
FR4180	TUBE TEFLON ALIM. GROUPE L:36	UNIT FEEDING TUBE L36
FR6052	TUBE GROUPE CAFE	EV COFFEE PIPE
FR6052NI	TUBE GROUPE CAFE NSF	EV COFFEE PIPE NSF
FR6061	TUBE DOSEUR	METERING UNIT PIPE
FR6061NI	TUBE DOSEUR NSF	METERING UNIT PIPE NSF
RR-83	RONDELLE GROVER DE 8	WASHER 8
TC-80	JOINT TORIQUE 1,78X2,90 FKM	GASKET 1.78X2.90 FKM



- Loctite 601
- Loctite 542

PLANCHE - PLATE 360

REF	DESIGNATIONS FR	DESIGNATIONS GB
12704	TUBE SILICONE 7X12	SILICONE PIPE 7X12
FR4219	VIS IMPERDABLE	CAPTIVE SCREW
FR6520	TUBE CAFE lg 238 mm	COFFEE PIPE length 238 mm
FR6521	TUBE DETERGENT	DETERGENT PIPE
FR6525	TUBE DE DECOMPRESSION L 400MM	DISCHARGE PIPE L 400MM
FR6526	TUBE DE DECOMPRESSION L 430MM	DISCHARGE PIPE L 430MM
TG8029	CABLE COMMANDES DROITE	RIGHT CONTROL WIRE
TG8043	CABLE CMD EVRE, EVSE ,EVSV,EVKG	EVRE, EVSE, EVSV, EVKG WIRE
MI-71	COLLIER INCOLORE 150 X 3,5mm	COLOURLESS COLLAR 150 x 3,5mm

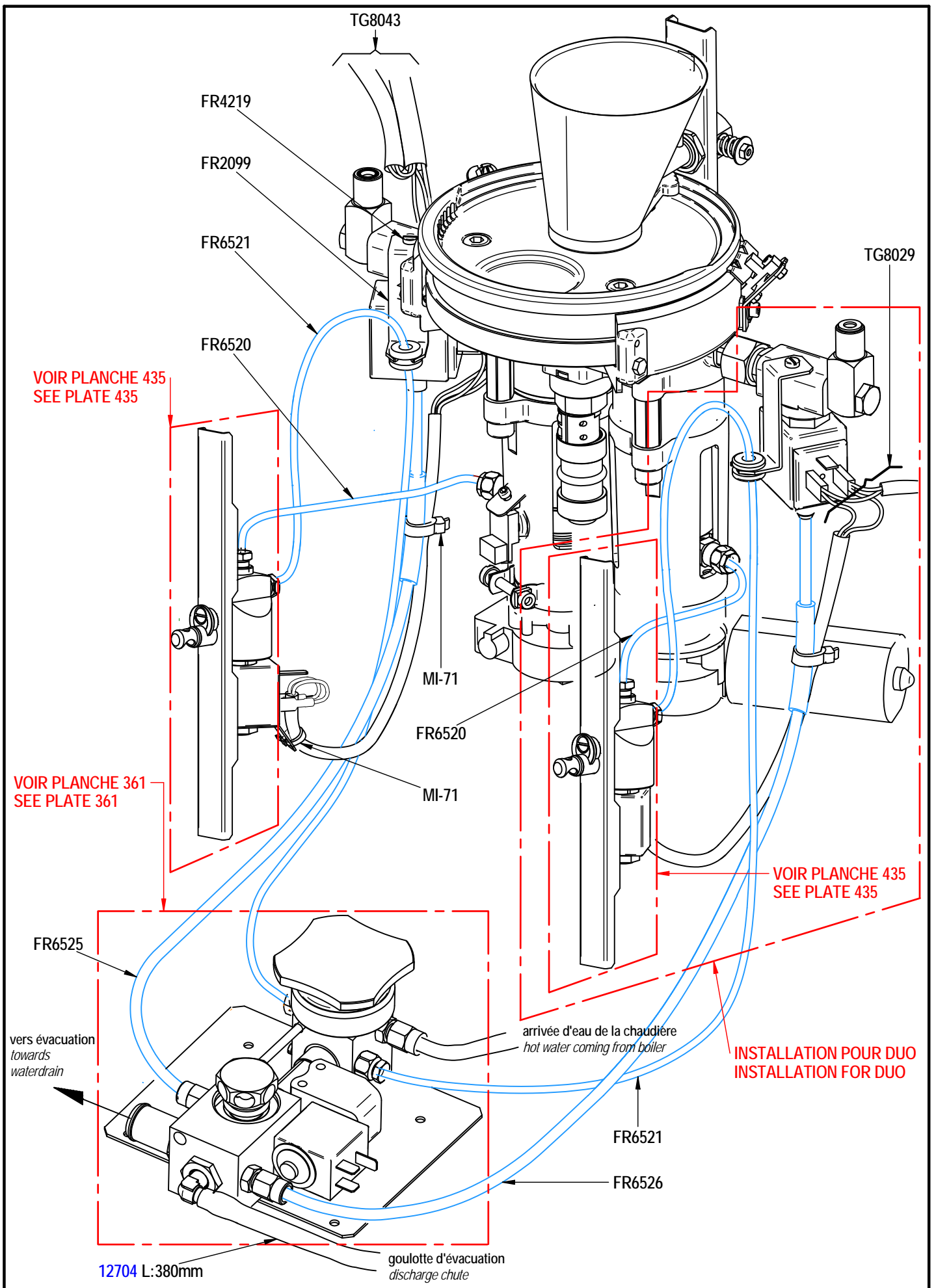


PLANCHE - PLATE 361

REF	DESIGNATIONS FR	DESIGNATIONS GB
21100	BOUCHON 1/8	PLUG 1/8
21456	RACCORD COUDE 1/8M D7	FITTING 1/8M D7
27845	JOINT TORIQUE 2.62 X 17.13	O-RING 2.62 X 17.13
27907	JOINT TORIQUE 3.53 X 34.52 EPDM	GASKET 3.53 X 34.52 EPDM
28700	JOINT PLAT DU BOUCHON	GASKET
35550	ELECTROVANNE N.O 24V 50HZ	ELECTROVALVE N.O 24V 50HZ
35560	ELECTROVANNE N.O 24V 60HZ UL	ELECTROVALVE N.O 24V 60HZ UL
50110	VIS Chc M4 X 90	SCREW M4 X 90
21100NI	BOUCHON 1/8 NICKELE	PLUG 1/8 NICKEL-PLATED
AE-28	VIS TF M3 X 16	SCREW M3 X 16
B-53	ECROU CHROME BLOCAGE BASSINE	OVERFLOW-TRAY LOCK NUT
CN-342	RONDELLE EVENTAIL 3	WASHER 3
CN-37	PATTE INOX FIXATION MINIRUPT.	MICROSWITCH HOLDING BAR
CN-620	LEVIER AV.RESSORT 161E r=24,1	LEVER WITH CASTOR
CN-642E	MINIRUPTEUR ETANCHE	WATERPROOF MICROSWITCH
FR1013	BLOC NETTOYAGE	CLEANING BLOCK
FR1022	KIT BOUCHON DE NETTOYAGE	CLEANING PLUG
FR2001	TOLE MICROSWITCH	MICROSWITCH HOLDER
FR2006	TOLE SUPPORT COLLECTEURS	COLLECTOR HOLDER
FR2135	GRILLE DU BLOC PASTILLE	GRID
FR4035	BLOC PASTILLE	CLEANING BLOC
FR4035NI	BLOC PASTILLE NSF	CLEANING BLOC NSF
FR4038	BOUCHON DU NETTOYAGE	CLEANING CAP
FR4049	RACCORD 1/8M M8 X 100	FITTING 1/8M M8 X 100
FR4049NI	RACCORD 1/8M M8 X 100 NICKELE	FITTING 1/8M M8 X 100 NICKEL-PLATED
FR4210	BLOC VIDANGE 40X40	BLOCK DRAIN
FR4210NI	BLOC VIDANGE 40X40 NICKELE	BLOCK DRAIN NICKEL-PLATED
FR4211	TETINE LATERALE D'EVACUATION	NIPPLE DISCHARGE SIDE
FR4212	RACCORD LISSE	SMOOTH FITTING
FR4213	REDUCTION 3/8" 1/8"	REDUCTION 3/8" 1/8"
FR4213NI	REDUCTION 3/8" 1/8" NICKELE	REDUCTION 3/8" 1/8" NICKEL-PLATED
FR4216	ENTRETOISE D6X1	SPACER D6X1
MI-36	RACCORD 1/8M 1/8M	CONNECTION 1/8
MI-36NI	RACCORD 1/8M 1/8M NICKELE	CONNECTION 1/8 NICKEL-PLATED
PG-49	ECROU INOX Hu DE 3	NUT M3
PH-78	JOINT TORIQUE 2,62X9,13 EPDM	O RING - 9,13 X 2,62
RO-13	VIS INOX TC 4 x 10	SCREW M4 X 10 -

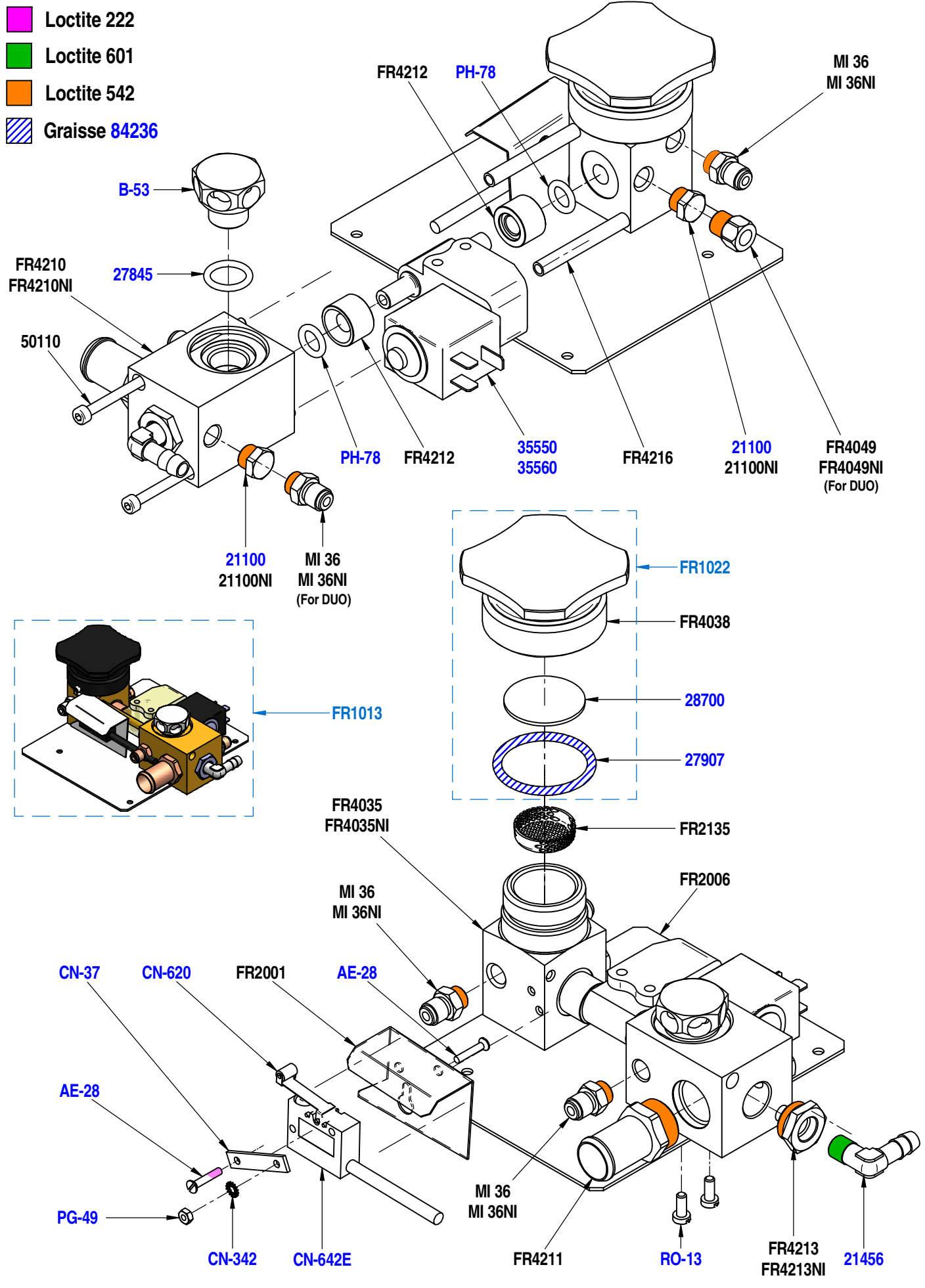
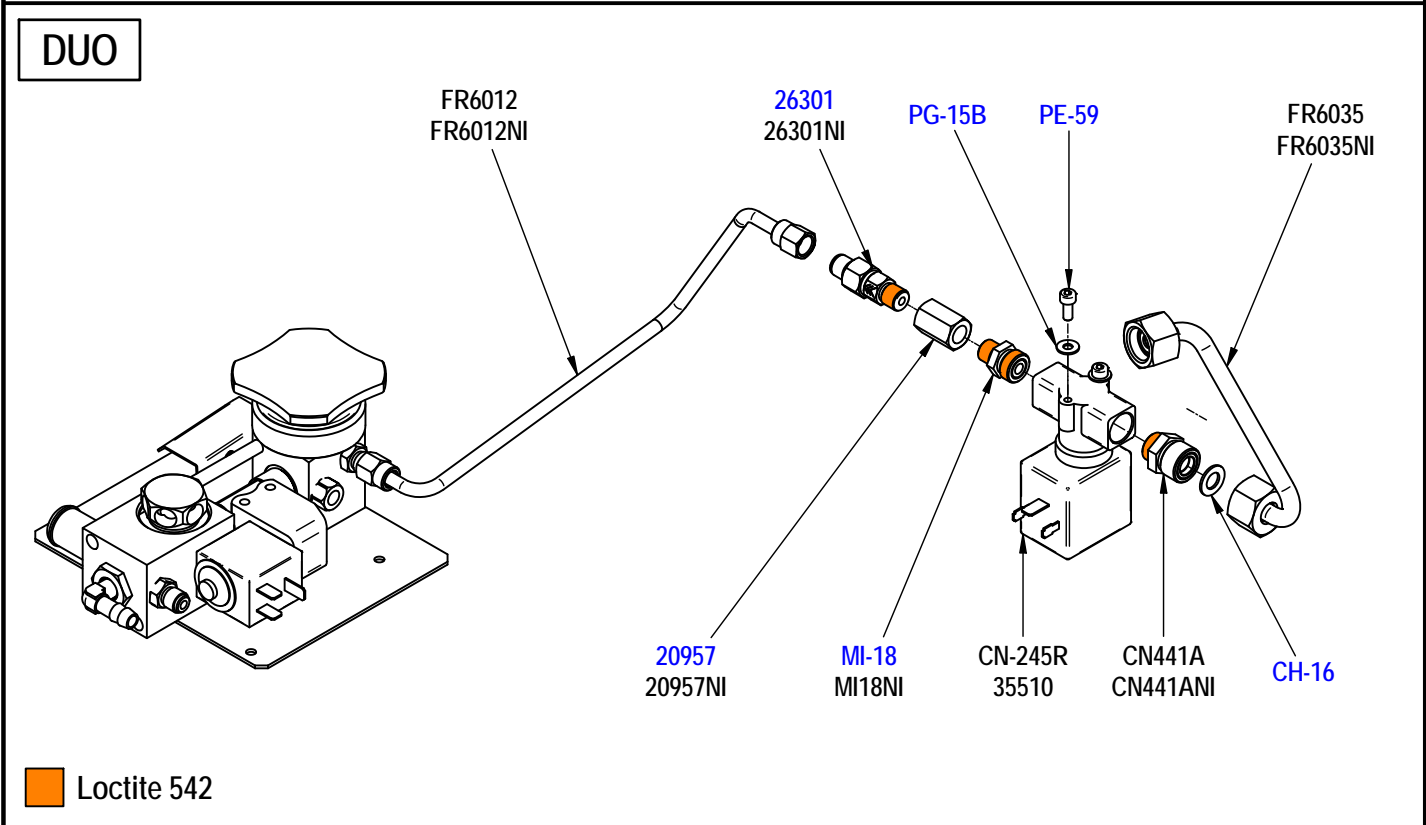
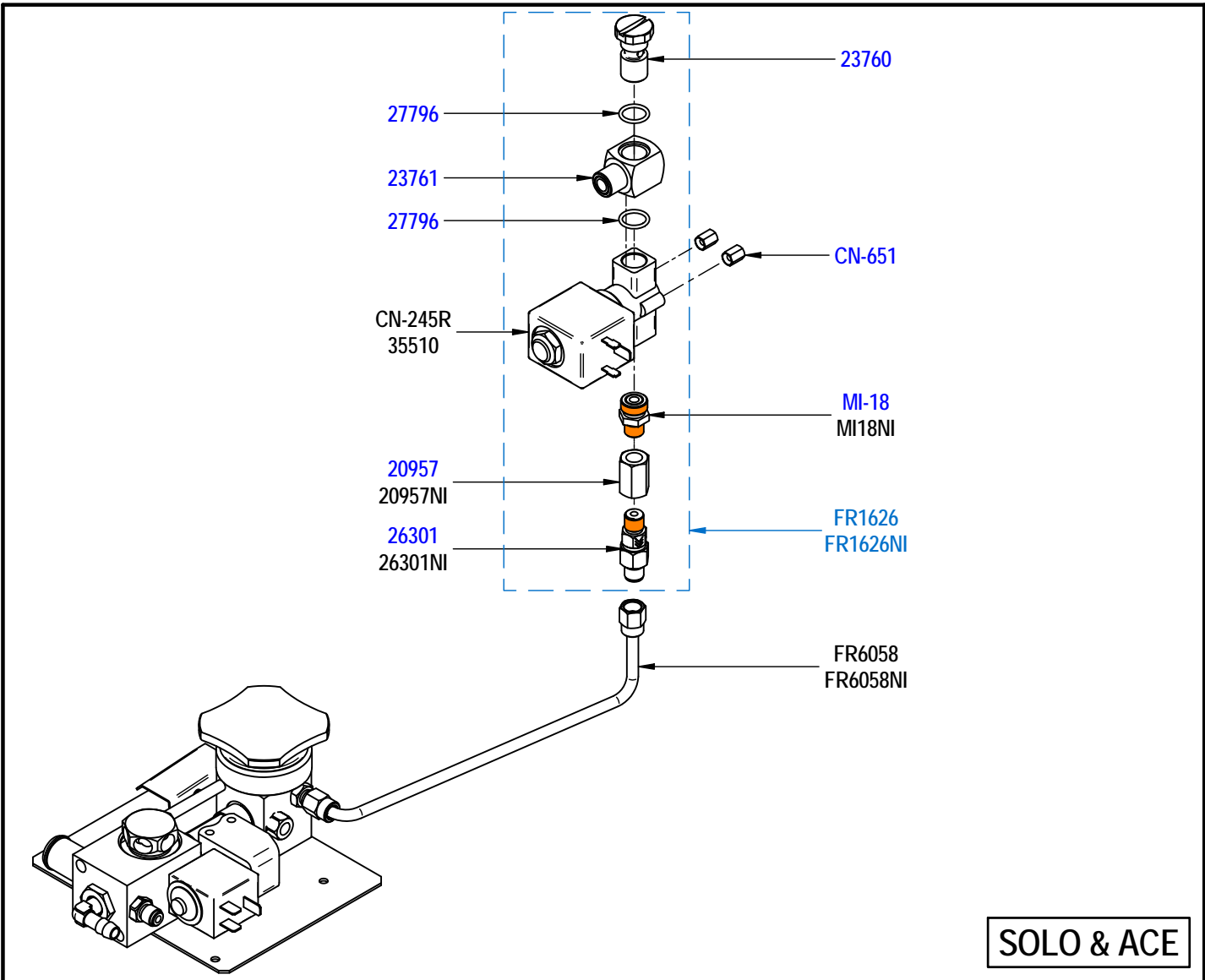


PLANCHE - PLATE 362

REF	DESIGNATIONS FR	DESIGNATIONS GB
20957	RACCORD DROIT 1/8G	FITTING 1/8G
23760	AXE BANJO 1/4	BANJO SCREW 1/4
23761	CORPS DE BANJO 1/4	BANJO BODY 1/4
26301	CLAPET ANTI-RETOUR 1/8	NO RETURN VALVE 1/8
27796	JOINT TORIQUE 1,78 X 12,42 NEXUS	O RING 1.78 X 12,42
35510	EV 2 VOIES 24V NSF	ELECTROVALVE 2 WAYS 24V NSF
20957NI	RACCORD DROIT 1/8G NICKELE	FITTING 1/8G NICKEL-PLATED
26301NI	CLAPET ANTI RETOUR 1/8	NON RETURN VALVE 1/8
CH-16	JOINT CUIVRE RECUIT 3/8	WASHER - COPPER - 3/8
CN-245R	ELECTROVANNE 2V 24V	ELECTROVALVE 2W 24V
CN-441A	RACCORD 1/4M-3/8M	FITTING 1/4 3/8
CN-441ANI	RACCORD 1/4M-3/8M NICKELE	FITTING 1/4 3/8 NICKEL-PLATED
CN-651	ENTRETOISE COURTE DU C.I.	SHORT SPACER FRAME
FR1626	BLOC NETTOYAGE CAFE SOLO	CLEANING COFFEE BLOCK
FR1626NI	BLOC NETTOYAGE CAFE SOLO NSF	CLEANING COFFEE BLOCK NSF
FR6012	TUBE ALIMENTATION BLOC PASTILLE(S)	CLEANING DEVICE FEEDING PIPE
FR6012NI	TUBE ALIMENTATION BLOC PASTILLE(S) NSF	CLEANING DEVICE FEEDING PIPE
FR6035	TUBE ALIM. EV NETTOYAGE GROUPE	CLEANING EV FEEDING PIPE
FR6035NI	TUBE ALIM. EV NETTOYAGE GROUPE NSF	CLEANING EV FEEDING PIPE
FR6058	TUBE NETTOYAGE GROUPE CAFE	COFFEE CLEANING PIPE
FR6058NI	TUBE NETTOYAGE GROUPE CAFE NSF	COFFEE CLEANING PIPE
MI-18	RACCORD MM 1/4 - 1/8 G	FITTING - 1/8 x 1/4
MI-18NI	RACCORD MM 1/4 - 1/8 G NICKELE	FITTING - 1/8 x 1/4 NICKEL-PLATED
PE-59	VIS TCHC M4x10 INOX	SCREW 4 X 10
PG-15B	RONDELLE INOX 4.2X10X0.8	WASHER



 Loctite 542

PLANCHE - PLATE 370

REF	DESIGNATIONS FR	DESIGNATIONS GB
12704	TUBE SILICONE 7X12	SILICONE PIPE 7X12
FR4067	GOULOTTE EVACUATION	DRAIN CHUTE
FR4088	BOUCHON DE GOULOTTE 4T	DRAIN CHUTE CAP 4 HOLES
PE-59	VIS TCHC M4x10 INOX	SCREW 4 X 10
TG2018	SUPPORT GOULOTTE	DRAIN CHUTE HOLDER

Décompression EV sortie vapeur
Steam outlet EV discharge

Décompression Cappuccino / module lait
Cappuccino / milk module discharge

Soupape HP
HP valve

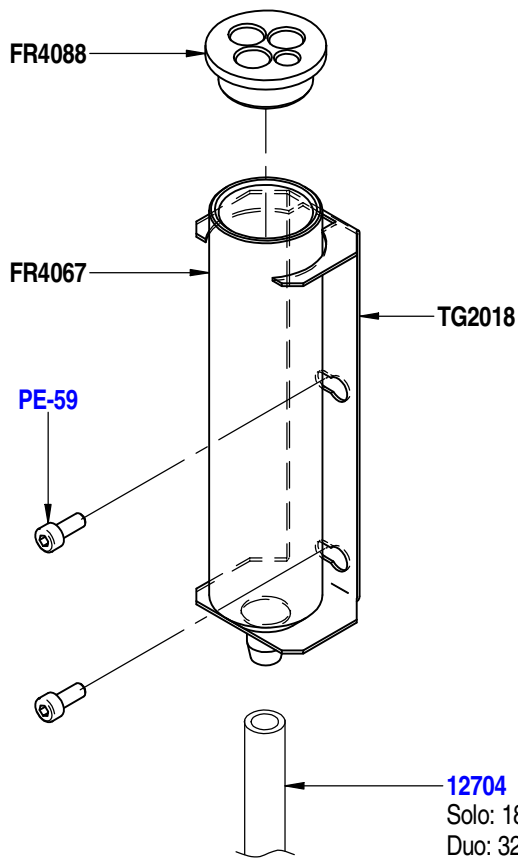
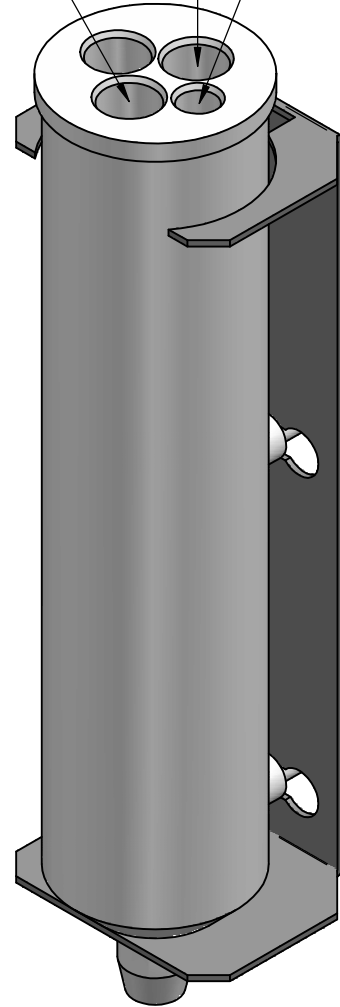


PLANCHE - PLATE 401

REF	DESIGNATIONS FR	DESIGNATIONS GB
37505	RESSORT BUTEE DE REGLAGE	RING
37510	ENTRETOISE BEC MOULIN	SPACER
37512	BEX INOX	GRINDER SPOUT
37515	MOULIN DITTING EMV 64 230V	DITTING GRINDER EMV64 230V
37516	JEU DE MEULES	GRINDING WHEEL SET
37521	VIS DE REGLAGE MEULES A DROITE	RIGHT ADJUSTING SCREW
37522	VIS DE REGLAGE MEULES A GAUCHE	LEFT ADJUSTING SCREW
37532	COLLIER DE SERRAGE	CLAMP
37534	LANGUETTE SORTIE BEC	LAMINATED SPRING
44712	CONDENSATEUR 16µF	CAPACITOR 16µF
50106	VIS TCHc M4 x 6	SCREW M4 X 6
51655	RONDELLE GROWER DE 6	WASHER 6
AE-13A	ECROU INOX Hu 6-100	NUT M6
CF-199	RONDELLE ACIER ZN 8x22x1,5	STEEL WASHER 8x22x1,5
DO-19	PLOT APB 20-20	SILENTBLOC
E-11	ECROU ACIER Hu de 8	NUT M8
FR1023	ENSEMBLE MOULIN DROIT	RIGHT GRINDER ASSEMBLY
FR1024	ENSEMBLE MOULIN GAUCHE	LEFT GRINDER ASSEMBLY
FR4195	PROLONGATEUR REGLAGE MOULIN	GRINDER ADJUSTING EXTENSION
PH-32	RONDELLE ACIER Zn 6,25x14x1,2	WASHER
RO-13	VIS INOX TC 4 x 10	SCREW M4 X 10 -

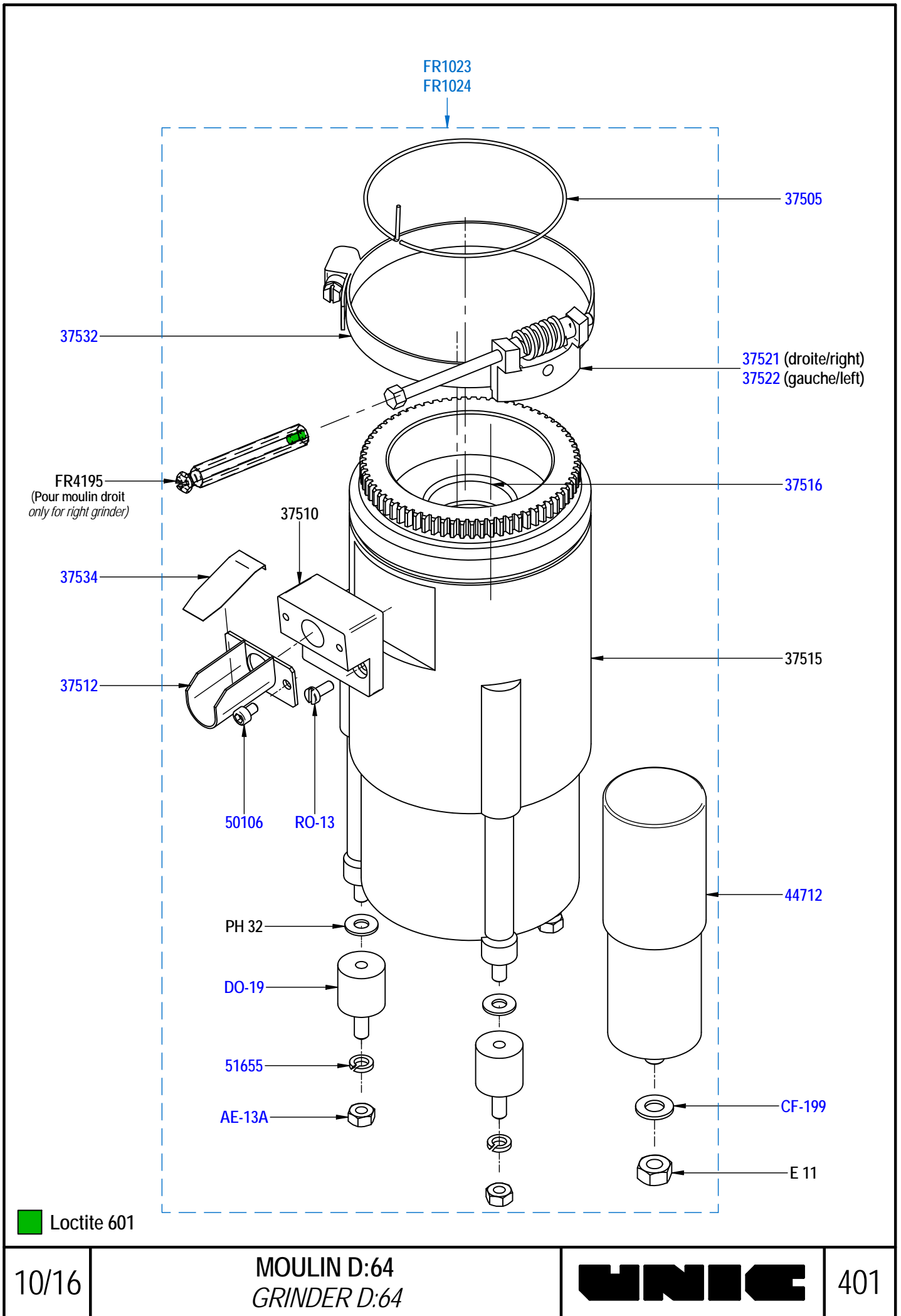
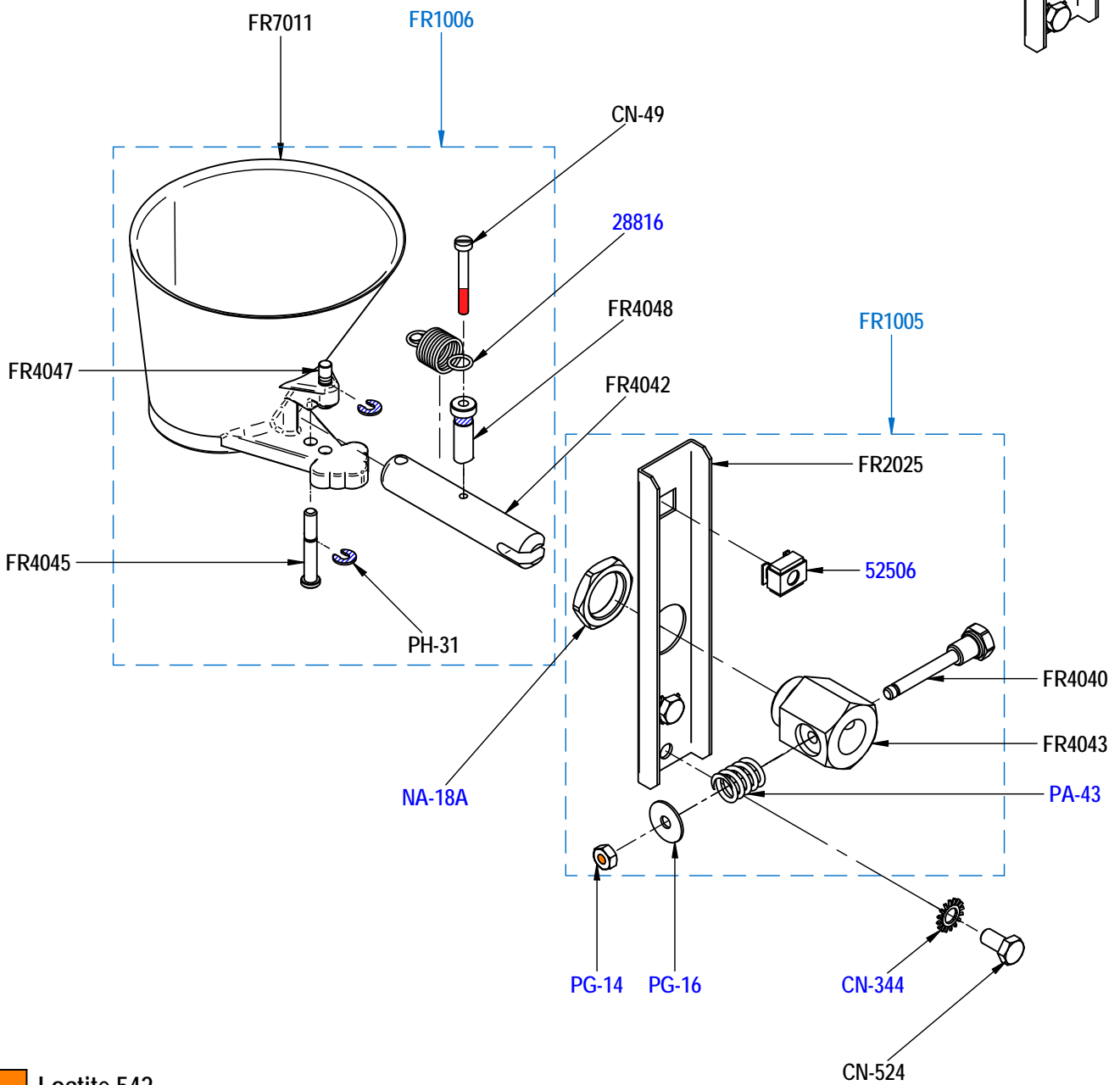
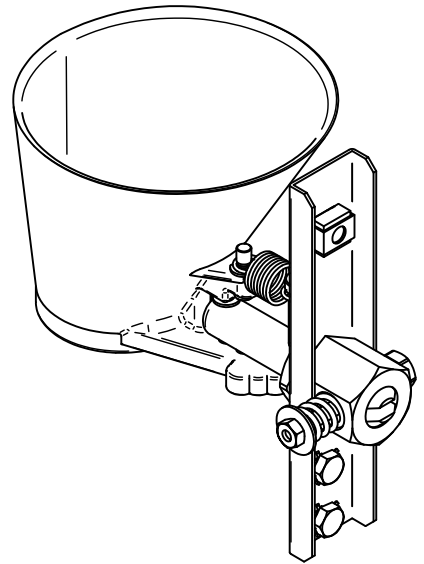


PLANCHE - PLATE 410

REF	DESIGNATIONS FR	DESIGNATIONS GB
28816	RESSORT ENTONNOIR	FUNNEL SPRING
52506	ECROU CAGE M6 X ep 1	INSERT NUT M6
CN-344	RONDELLE EVENTAIL DE 5	LOCK WASHER 5
CN-49	VIS TC M3X25	SCREW M3 X 25
CN-524	VIS INOX TH 5 x 10	SCREW M5 X 10
FR1005	ENTONNOIR PARTIE FIXE	FUNNEL FIXED KIT
FR1006	KIT ENTONNOIR PARTIE MOBILE	FUNNEL MOBILE KIT
FR2025	TOLE SUPPORT ENTONNOIR	FUNNEL HOLDER
FR4040	AXE DE VERROUILLAGE ENTONNOIR	LOCKING ROD
FR4042	AXE ENTONNOIR	HOLDER ROD
FR4043	CORPS SUPPORT ENTONNOIR	FUNNEL HOLDER BODY
FR4045	AXE DE ROTATION ENTONNOIR	ROTATING AXLE
FR4047	AXE MOBILE	AXLE
FR4048	AXE FIXE	AXLE
FR7011	ENTONNOIR	FUNNEL
NA-18A	ECROU LAITON 3/8 4 mm	3/8 NUT
PA-43	RESSORT F15/10 L14,5 D10,5 P3	SPRING
PG-14	ECROU M4	NUT M4
PG-16	RONDELLE ACIER Zn 4,25x14x0,8	WASHER
PH-31	ANNEAU TRUARC	TRUARC RING






-  Loctite 542
-  Loctite 262
-  Graisse 84236

PLANCHE - PLATE 415

REF	DESIGNATIONS FR	DESIGNATIONS GB
28810	RESSORT NETTOYEUR	SPRING
50203	VIS CHC M5 X 45 INOX	SCREW M5 X 40
51100	ECROU M5 INOX	NUT M5
51355	INSERT M4D LAITON L:9.5	INSERT M4
51650	RONDELLE 6 6.4x18x2 NYLON	WASHER DIAM. 6 NYLON
DV-44	VIS TH M4X10 ACIER	SCREW M4x10
FR1007	ENSEMBLE BALANCIER	PENDULUM KIT
FR2031	TOLE SUPPORT BALANCIER	CLEANING BALL HOLDER
FR2045	EQUERRE SUPPORT NETTOYEUR	RIGHT ANGLE BRACKET
FR2073	TOLE ANTIPLASH GAUCHE	ANTI SPLASH PLATE LEFT
FR2074	TOLE ANTIPLASH DROITE	ANTI SPLASH PLATE RIGHT
FR4070	BOULE NETTOYEUR	CLEANING BALL
FR4071	AXE SUPPORT BOULE NETTOYEUR	CLEANING BALL AXLE
FR4072	VIS EPAULEE M4	SCREW M4
PA-77	JOINT 6,5 x 16 x 5	GASKET 6,5 X 16 X 5
PG-14	ECROU M4	NUT M4
PG-15B	RONDELLE INOX 4.2X10X0.8	WASHER
PG-16	RONDELLE ACIER Zn 4,25x14x0,8	WASHER

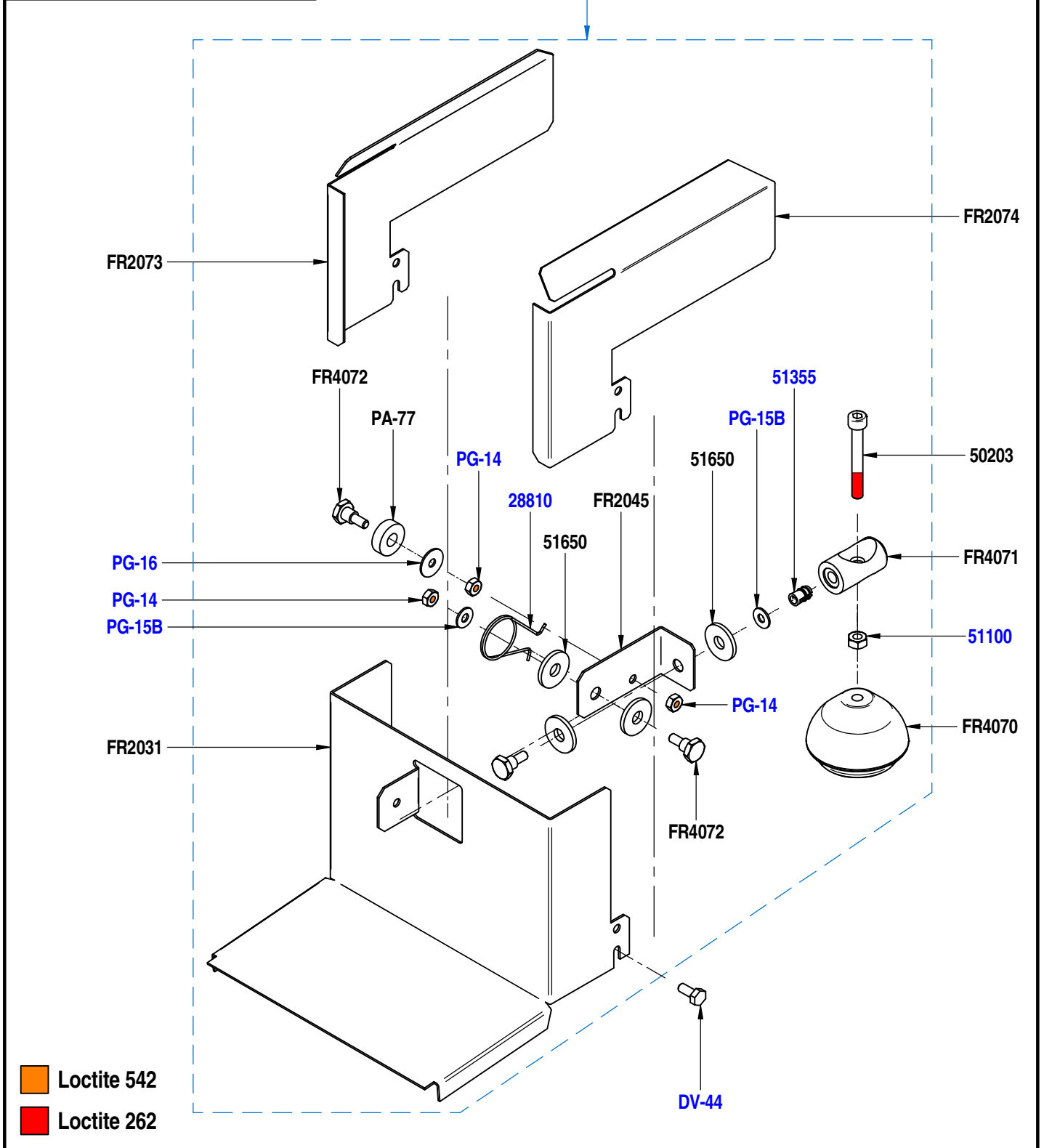
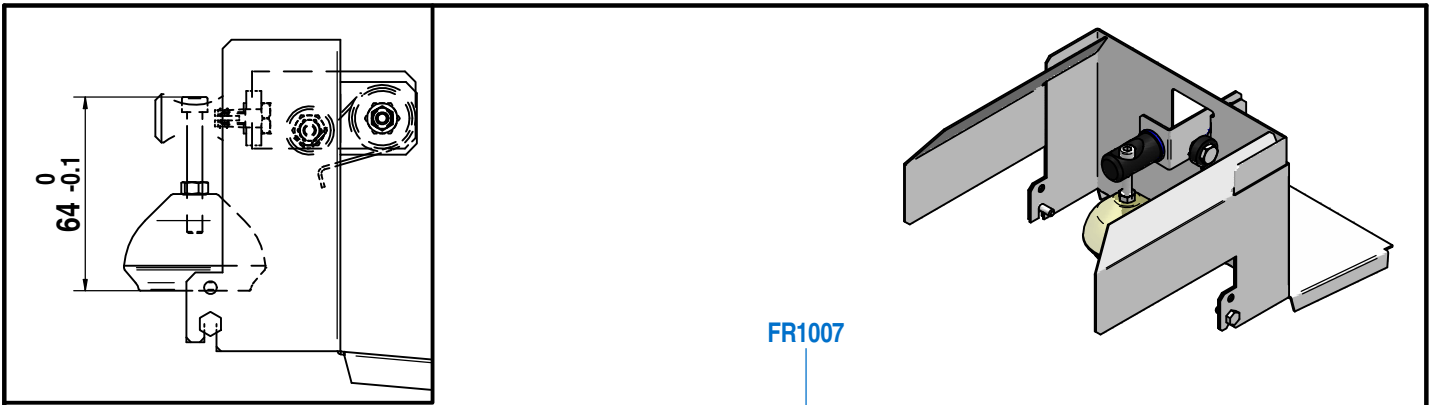


PLANCHE - PLATE 420

REF	DESIGNATIONS FR	DESIGNATIONS GB
23117	GICLEUR DIAM:0,7	JET DIAM. 0.7
23751	AXE DE BANJO 1/8	BANJO SCREW
23772	CORPS DE BANJO GROUPE 1/4	BANJO BODY 1/4 FOR UNIT
23773	SUPPORT GICLEUR	JET HOLDER
25400	FILTRE INOX	FILTER
27910	JOINT TORIQUE 3.53 X 53.37 VITON	GASKET
28104	JOINT TORIQUE 2X9,5 FKM 80SH	GASKET 2X9,5
28502	BUTEE PLATEAU	BASE DIA: 12
28503	JOINT PLATEAU COMPLET	GASKET UNIT
29831	CARTOUCHE CHAUFFANTE 200W-230V	HEATING ELEMENT 200W-230V
34210	SECURITE THERMIQUE température 115°C	SAFETY THERMOSTAT 115°C
34410	SONDE THERMOSTATIQUE	THERMOSTATIC PROBE
35010	ELECTROVANNE 3 V. 24V D1,2 GM	ELECTROVALVE 3 W 24V D1,2
35025	EV 3 VOIES 24V D1.2	EV 3 WAYS 24V D1.2
36500	CAPTEUR A FOURCHE EFFET HALL	FORK SENSOR
50000	VIS TCHC M3 X 10	SCREW M3 X 10
50702	VIS TOLE TC INOX N°6 X 6.4	SCREW
51300	ECROU M12 X 125	NUT M12 X 125
51800	RONDELLE 12 X 24 X 2 INOX	WASHER 12
52615	COUSSINET XFM-1517-17	BEARING XFM 1517-15
52620	PALIER LISSE XSM 1517-15	BEARING XSM 1517-15
53117	BUTEE A BILLE 51102 d28xd15x9	THRUST BALL BEARING 28X15X16
23772NI	CORPS DE BANJO 1/4 NICKELE	BANJO BODY 1/4 NICKEL-PLATED
23773NI	SUPPORT GICLEUR NICKELE	JET HOLDER NICKEL-PLATED
C-48	VIS TCHC M8X16 INOX	SCREW M8 X 16
CF-335A	VIS INOX STHC 8 X 25	SCREW M8x25 STAINLESS STEEL
CH-16	JOINT CUIVRE RECUIT 3/8	WASHER - COPPER - 3/8
CN-108	RONDELLE LAITON Z3	WASHER
CN-325	VIS INOX TC 4 x 6	SCREW M4 X 6
CN-342	RONDELLE EVENTAIL 3	WASHER 3
CN-343	RONDELLE EVENTAIL 4	WASHER 4
DO-74	RACCORD SOUPAPE HP	H.P VALVE CONNECTION
DV-44	VIS TH M4X10 ACIER	SCREW M4x10
E-11	ECROU ACIER Hu de 8	NUT M8
FR1008	ELECTROVANNE CAFE	COFFEE ELECTROVALVE
FR1008NI	ELECTROVANNE CAFE NSF	COFFEE ELECTROVALVE NSF
FR2021	TOLE ENTRETOISE 2 mm	PLATE
FR2033	TOLE SUPPORT CAPTEUR PLATEAU	SENSOR HOLDER
FR2034	DEFLECTEUR EJECTION	EJECTION PLATE
FR2082	TOLE POSITION PLATEAU LARGE	WIDE TURNABLE TOP PLATE
FR4000	CORPS DE GROUPE	UNIT BODY
FR4000NI	CORPS DE GROUPE NICKELE	UNIT BODY NICKEL-PLATED
FR4002	PLATEAU INOX	STAINLESS STEEL TURNTABLE
FR4012	ECROU A TETONS	BREAST NUT
FR4013	BAGUE DE BLOCAGE	BLOCKING RING
FR4019	PROTECTION BUTEE A BILLE	BEARING COVER
FR4029	ENTRETOISE M8	SCREW M8
FR4030	VIS TH M8 X 20 L 180	SCREW M8 X 20 L:180
FR4092	JOINT OBTURAPTEUR PISTON	GASKET
FR7000	PLATEAU PLASTIQUE	PLASTIC TURNTABLE
PB-21	ECROU 3/8 LAITON	FITTING 3/8
PG-13	VIS TC M3x10	SCREW M3 X 10
PG-15B	RONDELLE INOX 4.2X10X0.8	WASHER
PG-49	ECROU INOX Hu DE 3	NUT M3
PH-77	JOINT TORIQUE 18.72 x 2.62	O-RING 18.72 X 2.62
R-100	RACCORD LAITON	FITTING
R-100NI	RACCORD LAITON NICKELE	FITTING NICKEL-PLATED
RR-83	RONDELLE GROVER DE 8	WASHER 8
TC-80	JOINT TORIQUE 1,78X2,90 FKM	GASKET 1.78X2.90 FKM

- Loctite 222
- Loctite 262
- Loctite 542
- Loctite 601
- Graisse 84236
- Graisse 84230

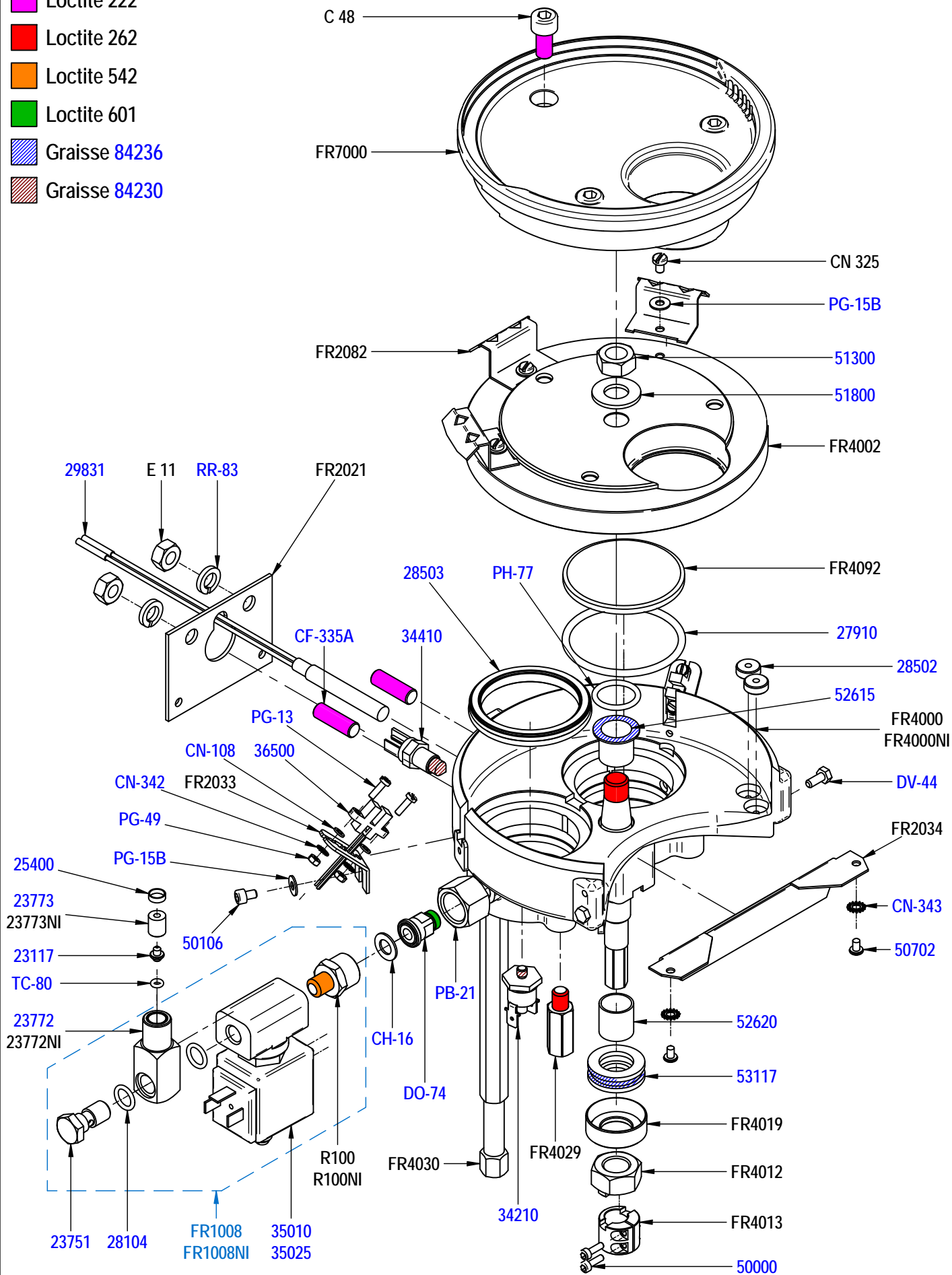






PLANCHE - PLATE 425

REF	DESIGNATIONS FR	DESIGNATIONS GB
27820	JOINT TORIQUE 2,62 X 47.29 EPDM	GASKET 2.62 X 47.29 EPDM
28500	JOINT A LEVRE PISTON Ø37.5	GASKET Ø 37.5
28510	JOINT PLAT DE SORTIE CAFE	FLAT GASKET
28820	RESSORT ACIER d19.20 X L40 Df:3.2	SPRING Do:19.20 X df:3.2 Lo:40
33419	FILTRE CAFE 24 - 180 STANDARD	COFFEE FILTER 24 -180 STANDARD
33447	FILTRE CAFE 1 TASSE 24 FENTES SELF	COFFEE FILTER 1 CUP 24 SLOTS SELF
33448	FILTRE CAFE 48 FENTES EXPORT	COFFEE FILTER 48 SLOTS EXPORT
36501	CAPTEUR Ø16	SENSOR Ø16
37305	MOTOREDUCTEUR 24V 500tr/mn	MOTOREDUCER 24V 500 rpm
51250	ECROU M10 X 75	NUT M10 X 75
51751	RONDELLE 10.2 X 20 X 2	WASHER 10
51800	RONDELLE 12 X 24 X 2 INOX	WASHER 12
52610	COUSSINET XFM 10-12-9	BEARING 10-12-9
52812	ANNEAU DIAM 12 EP 0,6	RING DIAM 12 EP 0,6
53110	BUTEE A BILLE 51100 d24xd10x9	THRUST BALL BEARING 24X10X9
CN-128	VIS INOX TF M4 X 8	SCREW M4 X 8
CN-30	VIS INOX TC 3 x 16	SCREW M3 X 16
CN-306	VIS INOX TCHC 3 x 8	SCREW M3 X 8
CN-489	VIS INOX CHC 4 x 16	SCREW M4 X 16
CN-825	COLLIER ACCOUP.LMOTEUR POMPE	COLLAR OF PUMP MOTOR GANGING
DO-54	AIMANT DIAM 3 L:10mm	MAGNET DIA:3 L:10mm
FR1010	ENSEMBLE PISTON SANS MOTEUR	PISTON ASSEMBLY WITHOUT MOTOR
FR1010NI	ENSEMBLE PISTON SANS MOTEUR NSF	PISTON ASSEMBLY WITHOUT MOTOR NSF
FR1011	ENSEMBLE MOTEUR PISTON	PISTON MOTOR ASSEMBLY
FR2028	TOLE BRIDE	SENSOR HOLDER
FR2030	ROUE CODEUSE ACIER ZINGUE	CODING WHEEL
FR4017	ENTRETOISE DE CLAVETTE	COTTER SPACER
FR4018	CLAVETTE AUTOLUBRIFIANTE	SELF-LUBRICATING COTTER
FR4020	SUPPORT MOTEUR	MOTOR HOLDER
FR4021	CHEMISE	INFUSION CHAMBER
FR4023	AXE DU PISTON	PISTON AXLE
FR4025	SORTIE CAFE	COFFEE OUTLET SCREW
FR4027	ECROU Tr 12 X 3	NUT TR 12 X 3
FR4028	COLERETTE DE FIXATION	PLASTING RING
FR4031	BUTEE PLASTIQUE	THRUST
FR4032	VIS TETON M8 X 100	SCREW M8 X 100
FR4122	PISTON	PISTON
FR4123	RONDELLE SUPPORT JOINT	WASHER HOLDER GASKET
FR4124	RONDELLE SORTIE CAFE	COFFEE OUTLET RING
FR4124NI	RONDELLE SORTIE CAFE NICKELE	COFFEE OUTLET RING NICKEL-PLATED
FR4126	PIECE SUPERIEURE	UPPER PART
FR4127	JOINT HARICOT	FLAT SEAL
FR4134	BAGUE PTFE	RING PTFE
FR6520	TUBE CAFE lg 238 mm	COFFEE PIPE length 238 mm
PE-66	VIS TC M5 X 16 INOX	SCREW M5 X 16
TC-80	JOINT TORIQUE 1,78X2,90 FKM	GASKET 1.78X2.90 FKM

-  Graisse 84236
-  Graisse 8104
-  Loctite 222
-  Loctite 262
-  Loctite 542
-  Loctite 5366

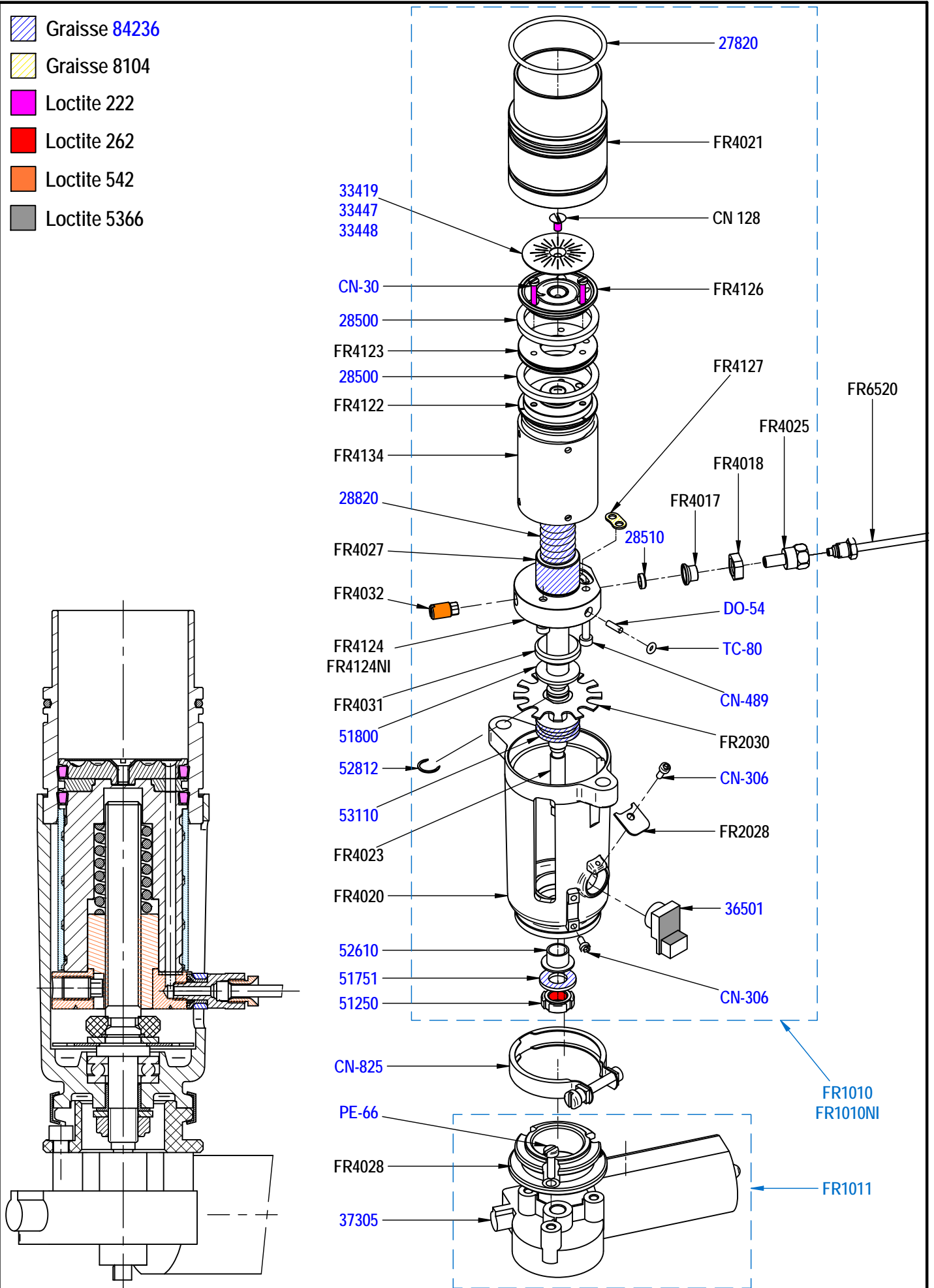
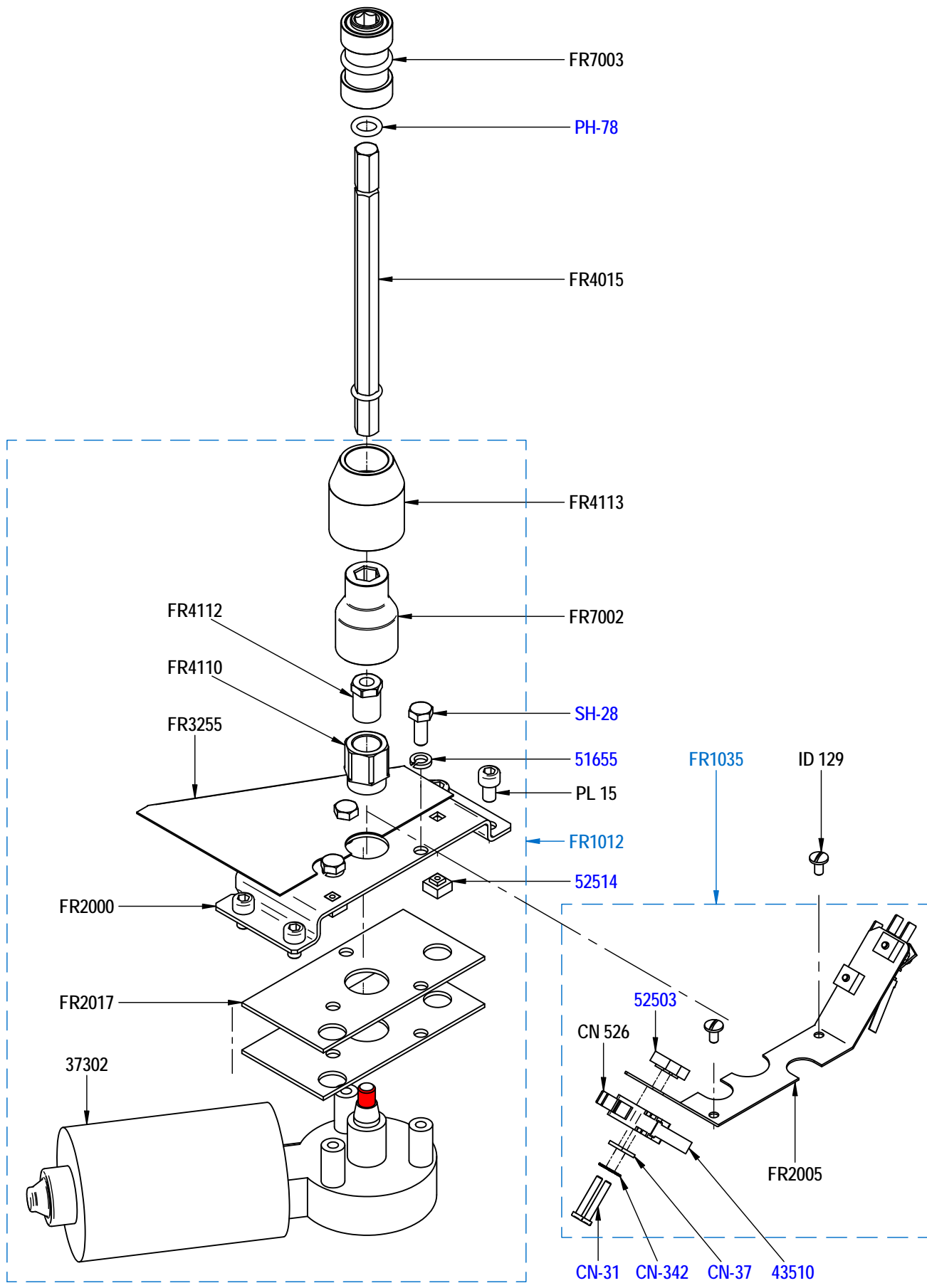


PLANCHE - PLATE 430

REF	DESIGNATIONS FR	DESIGNATIONS GB
37302	MOTOREDUCTEUR MFD351 (avec câbles)	MOTOREDUCER 24V MFD351 (with wires)
43510	LEVIER PLAT MICRORUPTEUR	LEVER FOR MICROSWITCH
51655	RONDELLE GROWER DE 6	WASHER 6
52503	ECROU EN CAGE M3 pour ep 1	NUT M3
52514	ECROU RAPIDE M4 EP:2	NUT M4
CN-31	VIS TC M3 X 20 INOX	SCREW M3 X 20
CN-342	RONDELLE EVENTAIL 3	WASHER 3
CN-37	PATTE INOX FIXATION MINIRUPT.	MICROSWITCH HOLDING BAR
CN-526	MINIRUPTEUR SECU EAU MARRON	WATER SAFETY MINI SWITCH
FR1012	ENSEMBLE MOTEUR PLATEAU	TURNTABLE MOTOR ASSEMBLY
FR1035	SECURITE BAC A MARC	DRAWER SAFETY
FR2000	TOLE SUPPORT MOTEUR	MOTOR HOLDER
FR2005	SUPPORT SECURITE BAC A MARC	DRAWER SAFETY HOLDER
FR2017	TOLE ENTRETOISE MOTEUR MFD351	STIFFENER SHEETMETAL
FR3255	TOLE PROTECTION MOTEUR	MOTOR PROTECTION
FR4015	AXE DE TRANSMISSION APRES 04/02	AXLE AFTER 04/2002
FR4110	ACCOUPEMENT MOTEUR MFD351	MOTOREDUCER GANGING
FR4112	ECROU ACCOUPLEMENT MOTEUR	MOTOREDUCER GANGING NUT
FR4113	RENFORT ALU ACCOUPLEMENT	REINFORCE COUPLING STAINLESS
FR7002	DOUILLE POUR MOTEUR MFD351	MOTOREDUCER RING
FR7003	DOUILLE ACCOUPLEMENT RENFORCEE	REINFORCING GANGING COUPLING
ID-129	VIS INOX POELIER VM 4 X 8	SCREW 4 X 8
PH-78	JOINT TORIQUE 2,62X9,13 EPDM	O RING - 9,13 X 2,62
PL-15	VIS TCHC M6x10 INOX	SCREW M6 X 10
SH-28	VIS TH M6 X 16	SCREW M6 X 16




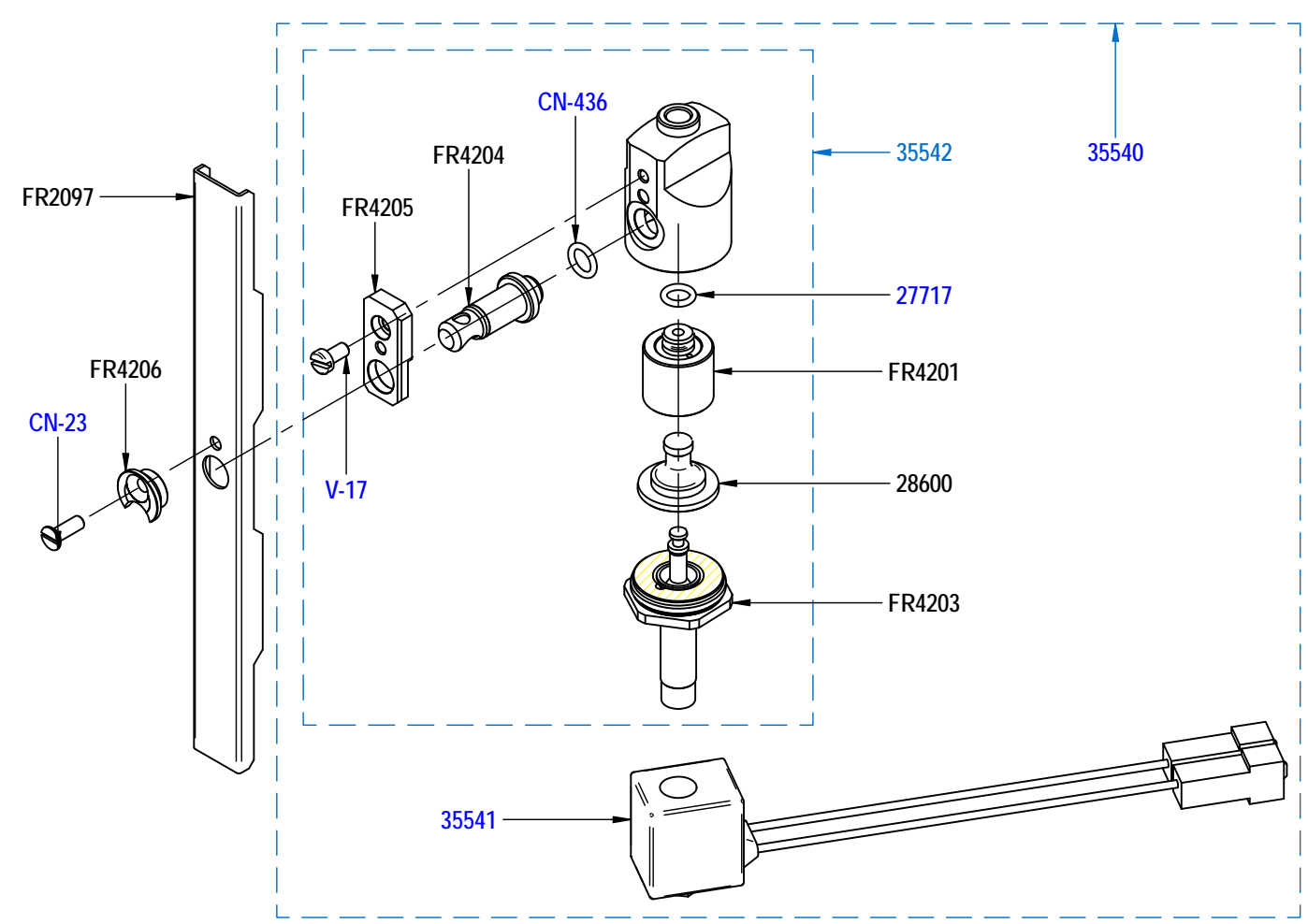
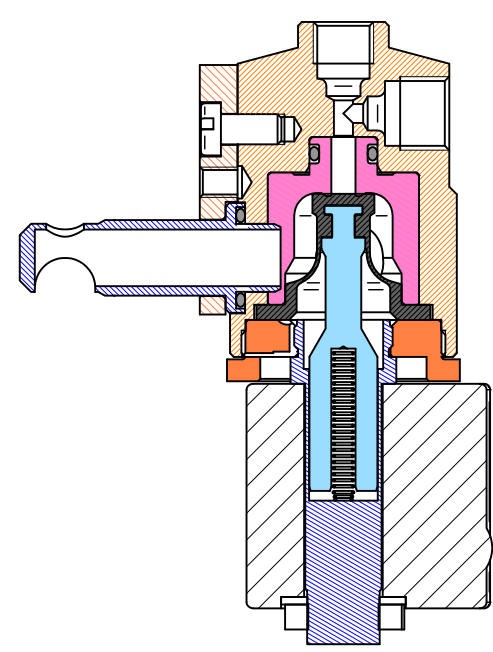
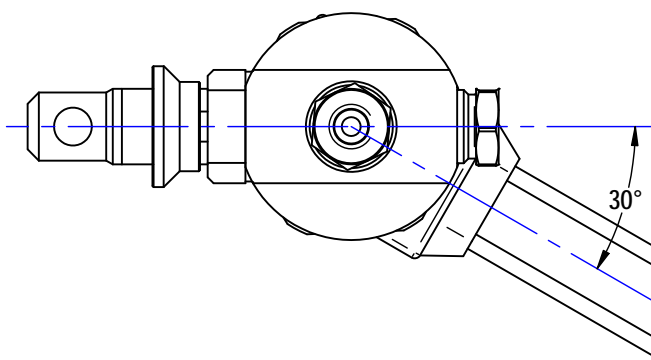
 Loctite 262

PLANCHE - PLATE 435

REF	DESIGNATIONS FR	DESIGNATIONS GB
27717	JOINT TORIQUE 1,78 X 6,07	GASKET 1.78 X 6.07
28600	MEMBRANE POUR ELECTROVANNE	MEMBRANE FOR ELECTROVALVE
35540	ELECTROVANNE DE BEC	SPOUT ELECTROVALVE
35541	BOBINE 5W AVEC FILS SURMOULES	COILE 5W WITH COMPOUND-FILLED WIRES
35542	ELECTROVANNE DE BEC SANS BOBINE	SPOUT ELECTROVALVE WITHOUT COIL
CN-23	VIS INOX TF 4 x 12	SCREW M4X12 CSH
CN-436	JOINT TORIQUE 1,78X8,73 EPDM	GASKET 8,73 X 1,78
FR2097	TOLE EN U	U SHEET
FR4201	SIEGE ELECTROVANNE	ELECTROVALVE SEAT
FR4203	FLASQUE ELECTROVANNE	ELECTROVALVE FLANGE
FR4206	COULISSE ELECTROVANNE DE BEC	SOLENOID SLIDE
FR4204	CONDUIT	CONDUIT
FR4205	ENTRETOISE DE FIXATION	FIXING SPACER
V-17	VIS INOX TC 4 x 8	SCREW M4 X 8



 Graisse 8104

PLANCHE - PLATE 504

REF	DESIGNATIONS FR	DESIGNATIONS GB
34202	THERMOSTAT SECURITE 160C TRI UL	<i>THERMOSTAT 160C UL</i>
41422	FLASQUE D'EXTREMITE	<i>FLANGE TERMINAL BLOCK</i>
42400	ENTRETOISE PLASTIQUE FIX CART	<i>PLASTIC PCB SUPPORT</i>
43800	CONTACTEUR TETRA. 220V 25A 50HZ	<i>CONTACTOR 220V 25A 50Hz</i>
44708	clef USB	<i>USB key</i>
44714	PRISE USB	<i>USB JACK</i>
45381	CARTE CPU	<i>CPU CARD</i>
45382	CARTE DRIVER EV	<i>ELECTROVALVE DRIVER CARD</i>
45386	CARTE ELECTRONIQUE MERE ACE	<i>ELECTRONIC MAINBOARD</i>
45943	ETIQUETTE BORNIER TANGO ST	<i>TERMINAL STICKER TANGO ST</i>
50130	COLONNETTE M-F M4X20	<i>SPACER M-F M4X20</i>
51053	ECROU LONG M4	<i>LONG NUT M4</i>
53402	BOUCHON PRISE USB	<i>CAP FOR USB A JACK</i>
AE-50	BORNIER GM GRIS	<i>TERMINAL BLOCK GREY</i>
AE-51	BORNIER GM BLEU	<i>TERMINAL BLOCK BLUE</i>
CN-124	VIS INOX TF 4 x 20	<i>SCREW M4 X 20</i>
CN-343	RONDELLE EVENTAIL 4	<i>WASHER 4</i>
CN-628	BARETTE DE JONCTION 2 PLOTS	<i>2 STUDS STRIP</i>
CN-630	BARETTE DE JONCTION 3 PLOTS	<i>3 STUDS STRIP</i>
CN-651	ENTRETOISE COURTE DU C.I.	<i>SHORT SPACER FRAME</i>
CN-661	ECROU CAGE M4, EP 1/1.6	<i>INSERT NUT M4</i>
DO-195	VIS ACIER INOX TC 4 X 12	<i>SCREW M4 X 12</i>
ED-133	PRESSE ETOUPE NOIR	<i>PACKING GLAND</i>
ED-134	CONTRE ECROU DE PRESSE ETOUPE	<i>PACKING GLAND NUT</i>
ID-129	VIS INOX POELIER VM 4 X 8	<i>SCREW 4 X 8</i>
PE-59	VIS TCHC M4x10 INOX	<i>SCREW 4 X 10</i>
PG-14	ECROU M4	<i>NUT M4</i>
TG2051	SUPPORT CARTE ELECTRONIQUE	<i>ELECTRONIC BOARD HOLDER</i>
TG2061	SUPPORT BORNIER	<i>TERMINAL BLOCK HOLDER</i>

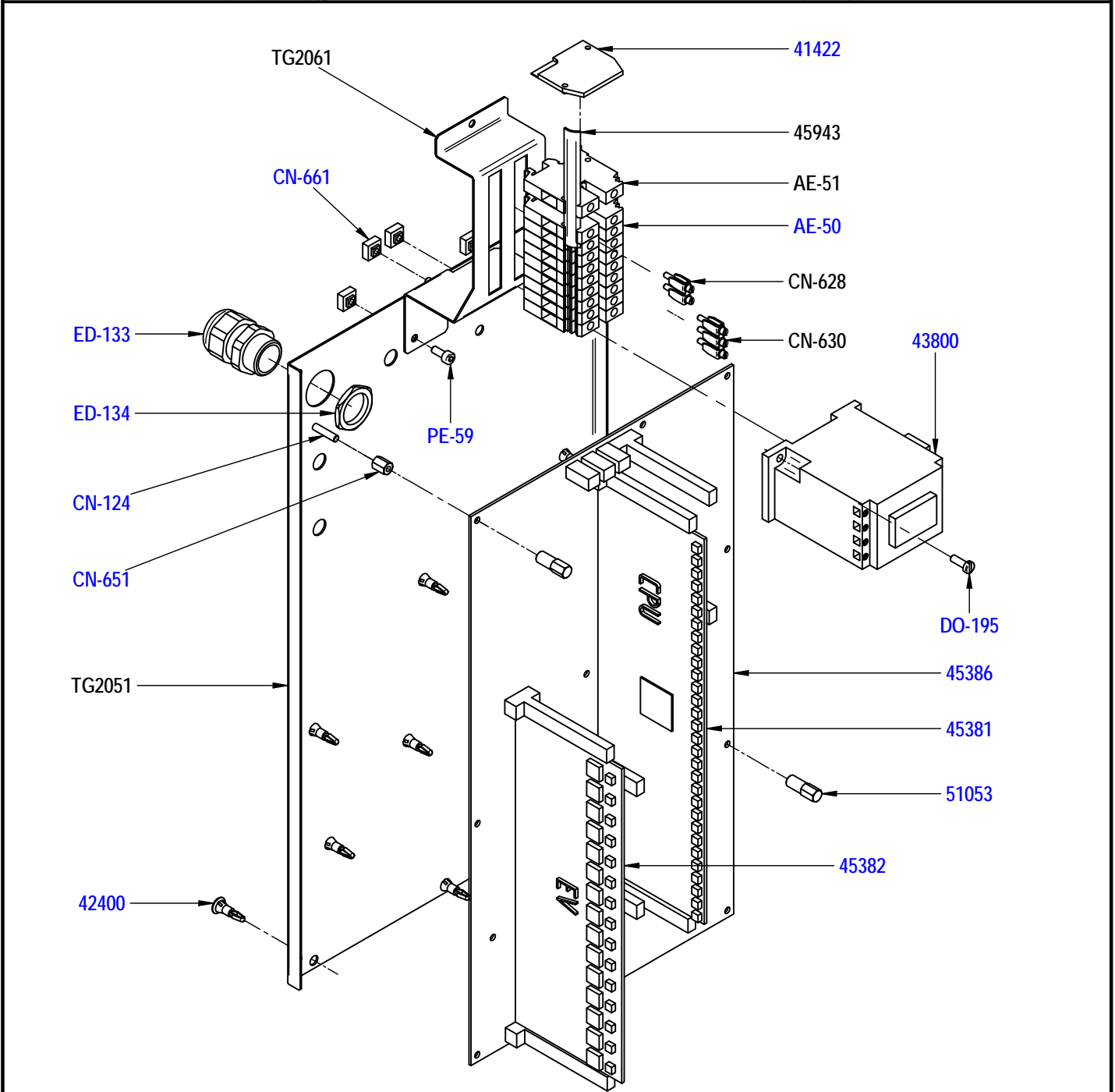
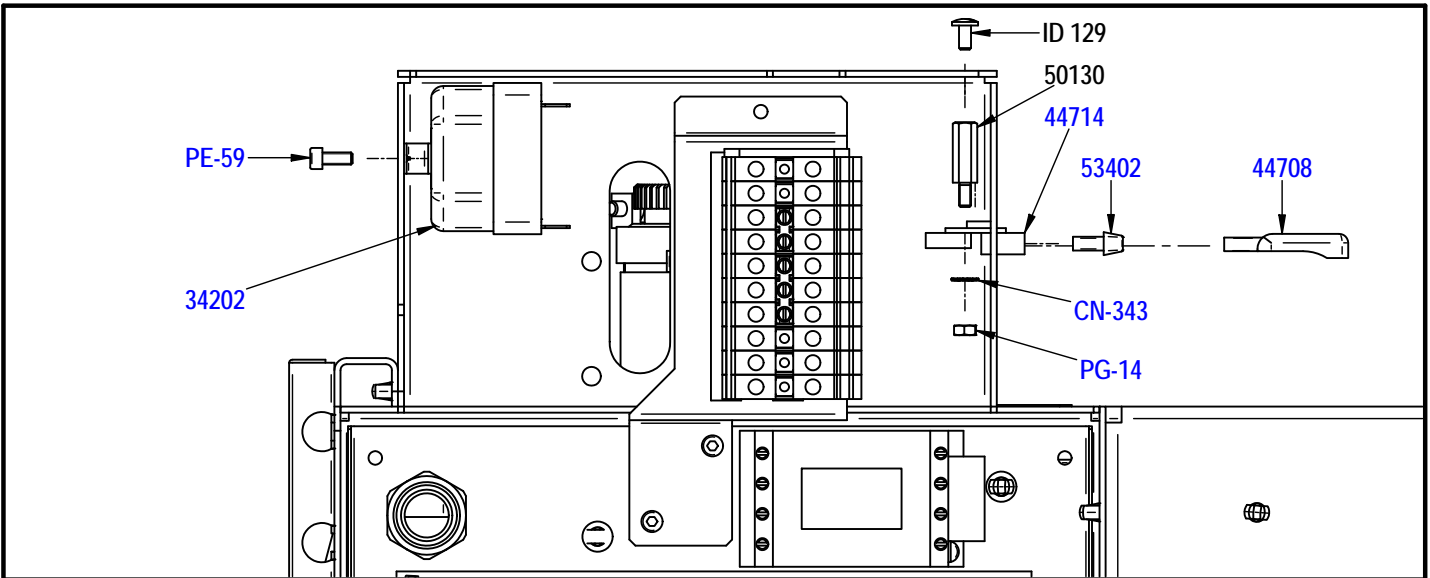


PLANCHE - PLATE 505

	DESIGNATIONS FR	DESIGNATIONS GB
CN2	IO232	IO232
CN3	RS232	RS232
CN4	RS232	RS232
CN5	RS232 CONSOLE DEBUG	RS232 DEBUG CONSOLE
CN6	CAPTEUR PRESSION / PRESENCE CAFE (TREMIE)	PRESSURE SENSOR / COFFEE PRESENCE (HOPPER)
CN7	CAPTEUR PRESSION EAU-VAPEUR	WATER-STEAM PRESSURE SENSOR
CN8	CAPTEUR EFFET HALL	EFFET HALL SENSOR
CN9	SECURITE ENTREE D'EAU	NO WATER SAFETY
CN12	COMPTEUR VOLUMETRIQUE D-G & EAU CHAUDE	DOSING DEVICE RIGHT-LEFT & HOT WATER
CN14	CAPTEUR GROUPE D & EFFET HALL BAS	GROUP RIGHT & EFFET HALL LOW SENSOR
CN15	CAPTEUR PISTON	PISTON SENSOR
CN17	SONDE LAIT / CHAUDIERE THERM.VAP. / GR. CAFE	MILK PROBE / COFFEE GR. / STEAM THERM. BOILER
CN20	SWITCH BAC A MARC	SWITCH DRAWER
CN21	TRANSFORMATEUR TOROIDAL	TOROIDAL TRANSFORMER
CN22	MOTEUR PLATEAU	TURNTABLE MOTOR
CN23	MOTEURS PISTONS	PISTONS MOTORS
CN29	RELAIS STATIQUES / CHAUDIERE VAPEUR	STATIC RELAY / STEAM BOILER
CN30	RELAIS STATIQUES / CHAUDIERE CAFE	STATIC RELAY / COFFEE BOILER
CN32	POMPE LAIT 2	MILK PUMP 2
CN34	ELECTROVANNES 24Vac	24Vac ELECTROVALVES
CN35	ELECTROVANNES CAPPUCCINO GAUCHE	LEFT CAPPUCCINO ELECTROVALVES
CN36	ELECTROVANNES 24Vac / LAIT 1	24Vac / MILK 1 ELECTROVALVES
CN41	POMPE / MOULINS / CARTOUCHE / GROUPE	PUMP / GRINDERS / CARTRIDGE / GROUP
CN43	SECURITE MACHINE FILTRAGE	FILTERING MACHINE SAFETY
CN44	TELERUPTEUR	STEPPING SWITCH
CN47	SECURITE CAFE-VAPEUR / GROUPE (OPTO)	COFFEE-STEAM SAFETY / GROUP (OPTO)

* Nota: références des câbles planche 550

Nota: electrical wires references plate 550

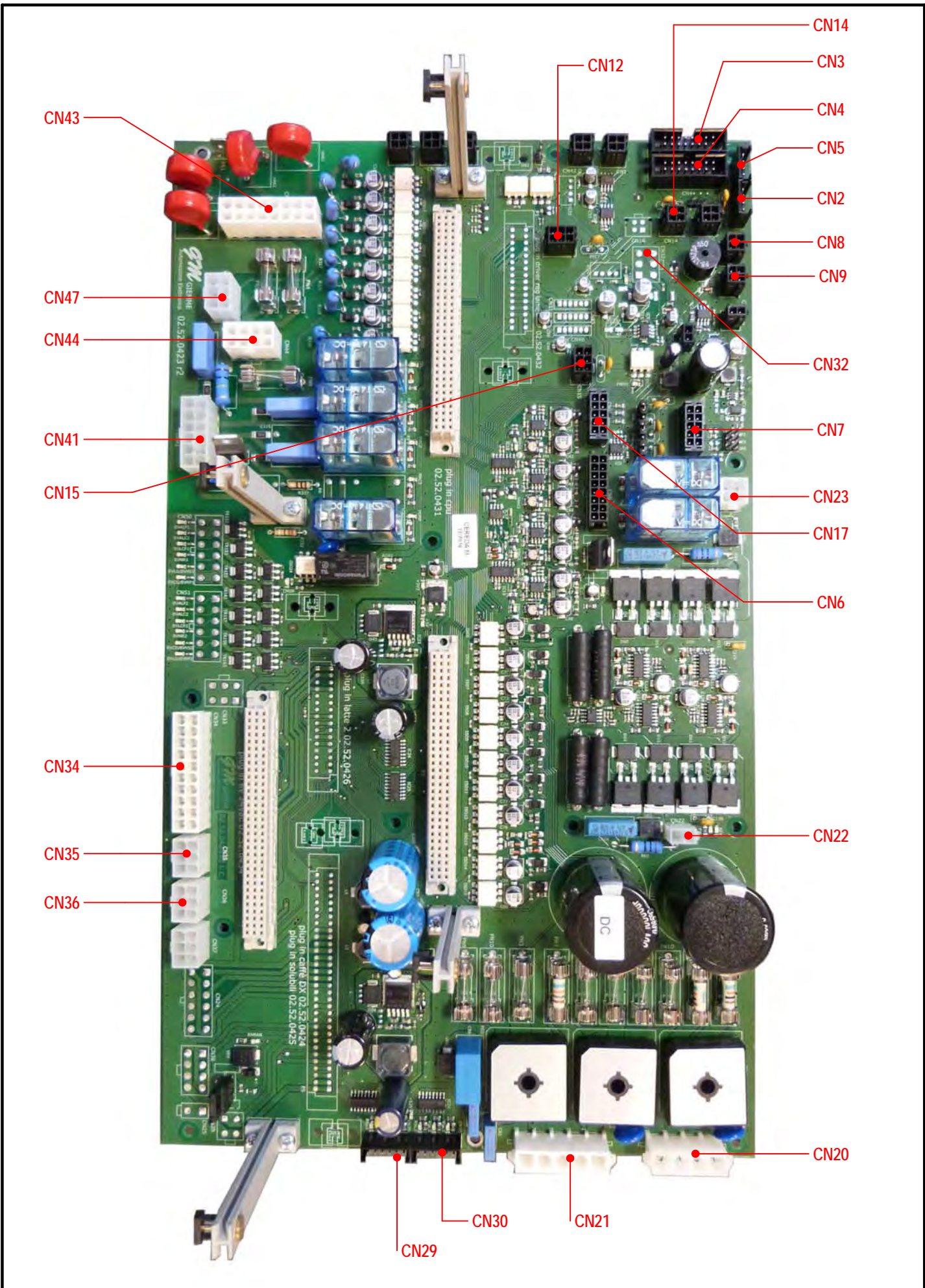


PLANCHE - PLATE 506

REF	DESIGNATIONS FR	DESIGNATIONS GB
FN1A	5A / EV-AC1-A / MODULE 24V: EVRE - EVSE - EVSV - EVNC - EVNK/EVNC - EVA - EVV	
FN1B	5A / EV-AC1-B / MODULE SOLUBLE: MT1 - MT2 - FAN SOL - EVKD/EVM1 - EAED/EVM2 MODULE CAFE DX: EVKD/EVM1 - EAED/EVM2 - EVCD - EVP2 - EVLD - EVS2	
FN1C	5A / EV-AC1-C / MODULE 24V: EVNKG - EVAEG EVLG - EVCG - EVP1 - EVS1	
FN1D	5A / EV-AC1-D / MODULE 24V: EVAL1 - EVNL1 - EVVL1 - EVAL2 - EVNL2 - EVLL2	
FN2	10A / 22V / ALIM MOTEUR PISTON & PLATEAU	<i>PISTON & TURNTABLE MOTOR SUPPLY</i>
FN3	5A / 19V / +24V	
FN4	5A / TELERUPTEUR	STEPPING SWITCH
FN5	5A / NEUTRE	NEUTRAL
FN6	5A / RELAIS / MAC1 - MAC2 - MAC3 - GET1 - GET2 - GET3 - POMPE - AUX1 - CHGR	
FN7	10A / +V PLATEAU / MOTEUR PLATEAU	<i>TURNTABLE MOTOR</i>
FN8	10A / +V PISTON / MOTEUR PISTON	<i>PISTON MOTOR</i>
FN9	5A / +24V	
FN10	5A / +12V, +9V, +5V, +3.3V	
43112	FUSIBLE 5 X 20 10A RETARDE T	<i>FUSE 10A DELAYED</i>
43115	FUSIBLE 5 X 20 5A RETARDE T	<i>FUSE 5A DELAYED</i>

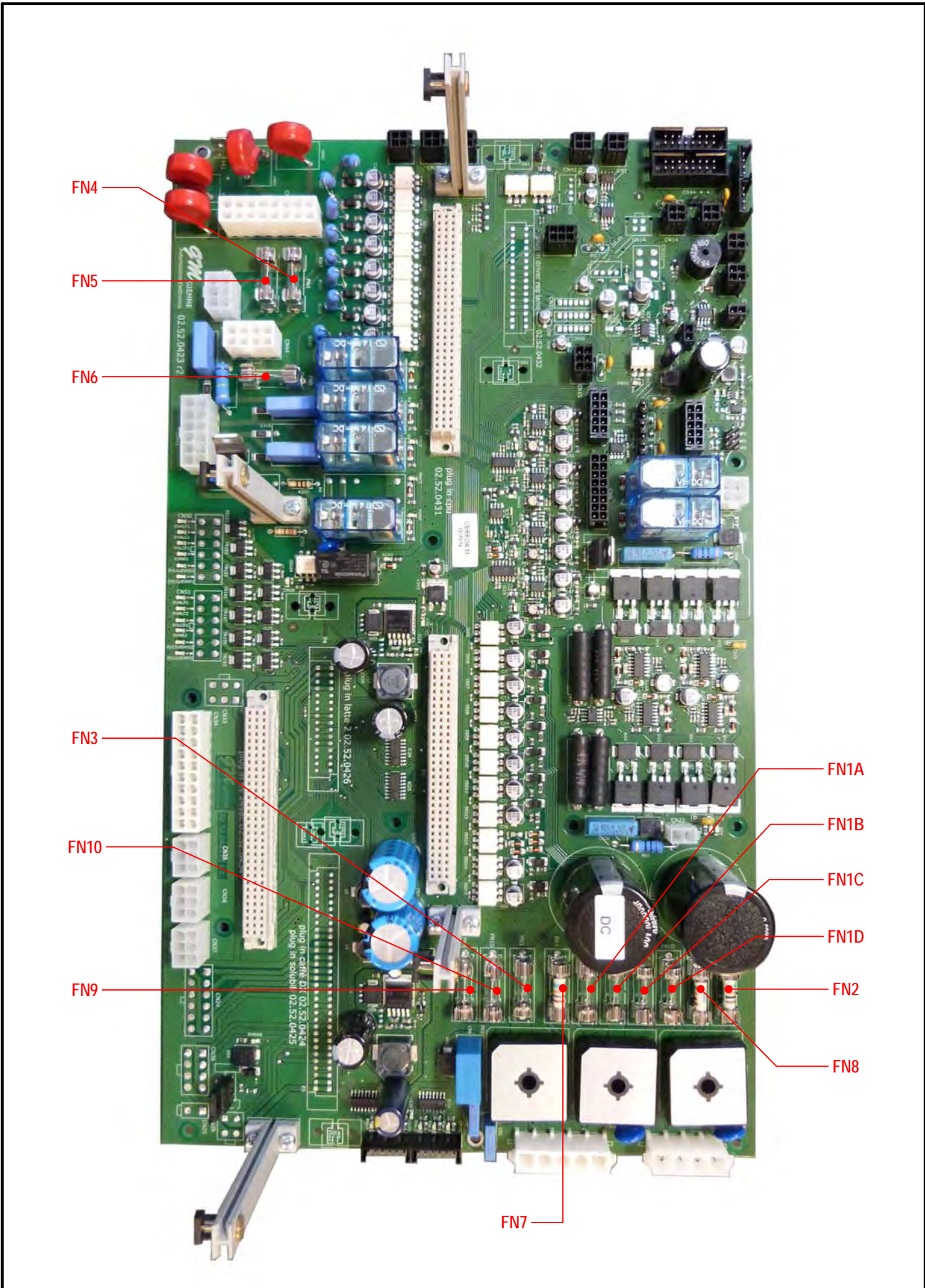
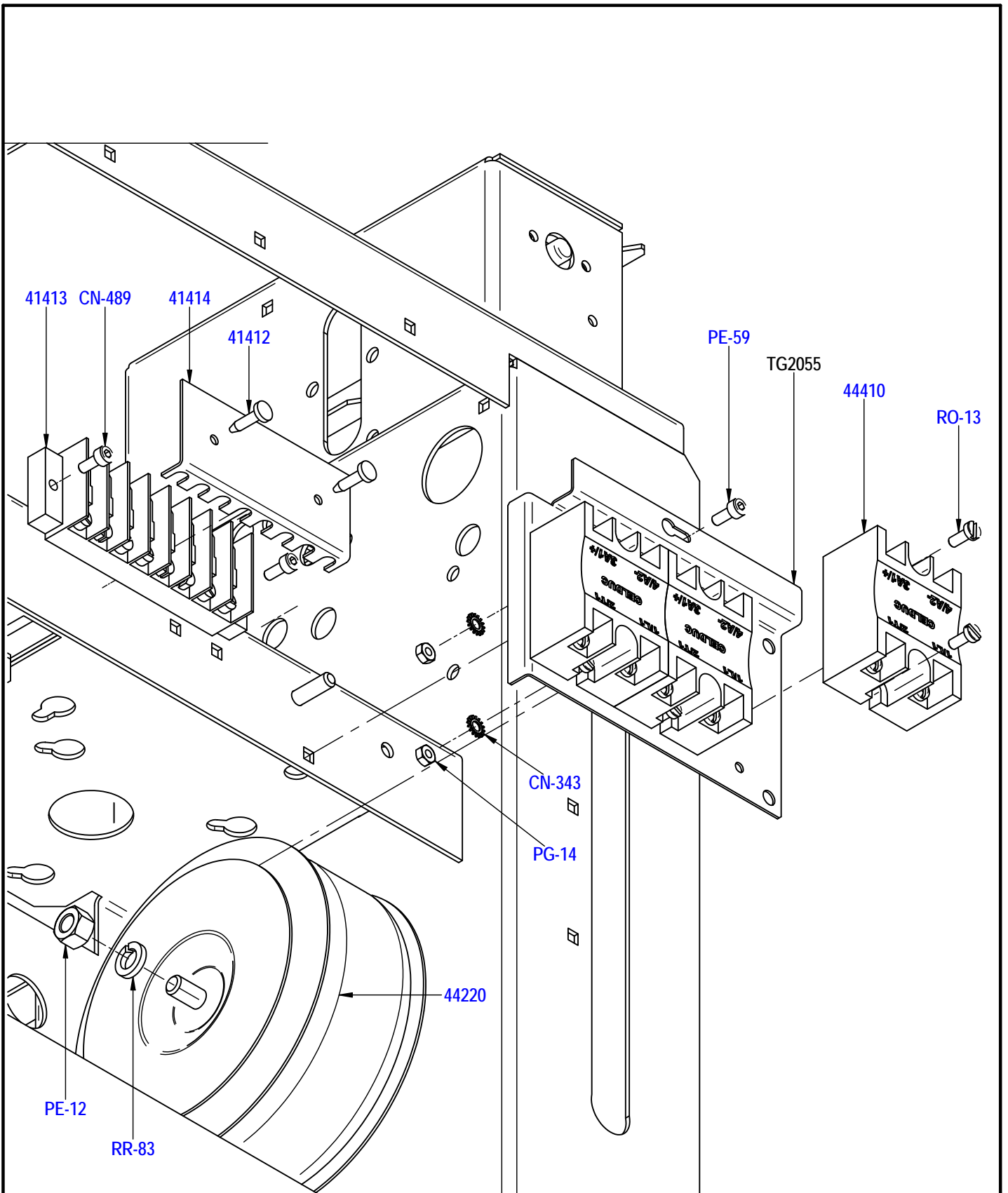


PLANCHE - PLATE 510

REF	DESIGNATIONS FR	DESIGNATIONS GB
41412	POINTE	<i>PIN</i>
41413	BARRETTE 8 POLES	<i>TERMINAL BOARD</i>
41414	PROTECTION 8 POLES	<i>COVER</i>
44220	TRANSFO TOROIDAL 300 Va / 200-230-240V	<i>TRANSFORMER 300Va / 200-230-240V</i>
44410	RELAIS STATIQUE 25A	<i>SOLID STATE RELAY 25A</i>
CN-343	RONDELLE EVENTAIL 4	<i>WASHER 4</i>
CN-489	VIS INOX CHC 4 x 16	<i>SCREW M4 X 16</i>
PE-12	ECROU M8	<i>NUT M8</i>
PE-59	VIS TCHC M4x10 INOX	<i>SCREW 4 X 10</i>
PG-14	ECROU M4	<i>NUT M4</i>
RO-13	VIS INOX TC 4 x 10	<i>SCREW M4 X 10 -</i>
RR-83	RONDELLE GROVER DE 8	<i>WASHER 8</i>
TG2055	SUPPORT 3 RELAIS STATIQUES	<i>3 STATICS RELAYS HOLDER</i>



REF	DESIGNATION FR	DESIGNATION GB	CONNECTEUR	NB PINS	TENSION	QUANTITE	
						ACE	FRIGO
FR8019	CABLE BLEU CONN. BOBINE ET CONTACT	COIL CONNECTION BLUE CABLE			HAUTE	1	1
FR8029	CELLULES OPTIQUES AVEC CONNECTEUR	PHOTO CELL SENSORS	CN6	16	BASSE	1	1
FR8055	CABLE RALLONGE EV SV EV	EXTENTION WIRE EV SV EV			BASSE	1	1
TG8012	CABLE LIAISON USB	USB LINK WIRE	CN2	4	BASSE	1	1
TG8013	RS 232 ECRAN TFT GAUCHE	LEFT DISPLAY WIRE	CN3	16	BASSE	1	1
TG8016	CABLE ADAPTATEUR MOTEUR PLATEAU	TURNABLE MOTOR ADAPTOR WIRE	CN22	2	BASSE	1	1
TG8017	CABLE CHAUDIERE VAPEUR & RESEAU	STEAM BOILER & WATER SYSTEM WIRE	CN7	10	BASSE	1	1
TG8027	CABLE SONDES THERMO. & NIVEAUX	PROBES WIRE	CN17 CN26 CN27	10 4 4	BASSE	1	1
TG8030	CABLE SECURITE BAC A MARC	DRAWER SAFETY WIRE	CN20	4	BASSE	1	1
TG8034	CABLE TREMIE,MIXEUR,VENTILATEUR POUUDRE	HOPPER MIXER & POWDER FAN WIRE	CN24	12	BASSE		
TG8037	CABLE TRAPPE, PIST. COD. SECU. CTRL MOTEUR	HATCH, PIST. COD. SAFE. MOTOR WIRE	CN8 CN9 CN12 CN15 CN23 CN25	4 4 6 6 4 2	BASSE	1	1
TG8039	CABLE CMD RELAIS STAT. CHAUD. VAP./CAFE	CTRL STAT. RELAY & STEAM/COFFEE BOIL. WIRE	CN29	6	BASSE	1	1
TG8043	CABLE CMD EVRE; EVSE ,EVSV,EVKG	EVRE, EVSE, EVSV, EVKG WIRE	CN34	20	BASSE	1	1
TG8045	CABLE EV CAPPUCCINO GAUCHE	LEFT CAPPUCCINO EV WIRE	CN35	6	BASSE	1	1
TG8049	CABLE CPU GND CALANDRE	CPU GND FRONT PANEL WIRE			TERRE	1	1
TG8050	CABLE MOULINS R,V,O,RES GR,RI,POMPE	GRINDER R,G,O,RES GR,RI,PUMP WIRE	CN41 CN44 CN47	12 8 6	HAUTE	1	1
TG8057	CABLE CHAUDIERE CAFE	COFFEE BOILER WIRE			HAUTE		
TG8058	CABLE GROUPE VAPEUR CAFE	STEAM/COFFEE GROUP WIRE			HAUTE	1	1
TG8062	CABLE SORTIE CONTACTEUR	OUTPUT CONTACTOR WIRE			HAUTE	1	1
TG8100	CABLE INTER, AFFICHEUR T°C REG C- F	DISPLAY T°C, COLD-HOT, SWITCH WIRE			HAUTE		1
TG8101	CABLE ALIMENTATION	ALIMENTATION WIRE			HAUTE		1

PLANCHE - PLATE 611

REF	DESIGNATIONS FR	DESIGNATIONS GB
12708	TUBE SILICONE CAPPUCCINATORE L	CAPPUCCINATORE SILICON PIPE
20950	RACCORD 1/8 POUR GICLEUR	FITTING 1/8 FOR GICLUER
23751	AXE DE BANJO 1/8	BANJO SCREW
23760	AXE BANJO 1/4	BANJO SCREW 1/4
23761	CORPS DE BANJO 1/4	BANJO BODY 1/4
24452	ECROU 1/8F FENDU	NUT 1/8M
26134	CAPPUCCINO IDEA	CAPPUCCINATORE
26148	BRISE JET	ANTI PLASH PLUG
26149	MOUSSEUR	FROTHER
26151	REDUCTEUR CAPPUCCINATORE D1.7	CAPPUCCINATORE REDUCER D1.7
26152	REDUCTEUR CAPPUCCINATORE D2	CAPPUCCINATORE REDUCER D2
26171	BEC VERSEUR	SPOUT
26174	MELANGEUR	MIXER
27714	JOINT TORIQUE 1,78 X 15,6 SILICONE	GASKET 15.6 X 1,78
27715	JOINT TORIQUE 1,78X8,73 SILICONE	GASKET 8,73 X 1,78
27737	JOINT TORIQUE 1,78 X 6,07 NEXUS	O RING 1.78 X 6,07
27796	JOINT TORIQUE 1,78 X 12,42 NEXUS	O RING 1.78 X 12,42
28134	JOINT TORIQUE 2X9,5 NEXUS	O RING 2X9,5
35012	BOBINE 24V	SOLENOID COIL 24V
35021	ELECTROVANNE 3 VOIES D3 SANS BOBINE	ELECTROVALVE 3W WITHOUT COIL
35026	ELECTROVANNE 3 VOIES D3 NSF SANS BOBINE	ELECTROVALVE 3W WITHOUT COIL NSF
20950NI	RACCORD 1/8 POUR GICLEUR NICKELE	FITTING 1/8 FOR GICLUER NICKEL-PLATED
23761NI	CORPS DE BANJO 1/4 NICKELE	BANJO BODY 1/4 NICKEL-PLATED
CN-2850	JOINT TORIQUE 1,78X10,82	GASKET 10.82x1.78
CN-436	JOINT TORIQUE 1,78X8,73 EPDM	GASKET 8,73 X 1,78
FR1046	ENSEMBLE LC	LC SET
FR4078	INJECTEUR AIR	GICLUER
FR4079	EMBOUT M6	SCREW M6
FR4080	CORPS CAPPUCCINO	BODY
FR4081	ENTRETOISE CAPPUCCINO	INTERFACE
FR4082	SUPPORT EV CAPPUCCINO	EV HOLDER
FR4082NI	SUPPORT EV CAPPUCCINO NICKELE	EV HOLDER NICKEL-PLATED
FR4083	NOURRICE NETTOYAGE	CLEANING FITTING
FR4083NI	NOURRICE NETTOYAGE NICKELE	CLEANING FITTING NICKEL-PLATED
FR4084	RACCORD 1/8M SORTIE EV	CONNECTION 1/8M OUTPOUT EV
FR4084NI	RACCORD 1/8M SORTIE EV NICKELE	CONNECTION 1/8M OUTPOUT EV NICKEL-PLATED
PE-59	VIS TCHC M4x10 INOX	SCREW 4 X 10
PH-17	JOINT TORIQUE 2,62X20,63 EPDM	GASKET 20,63 X 2,62
RR-32B	JOINT TORIQUE 2,62X26,64 EPDM	ROUND RING 26,64 x 2,62 - 75

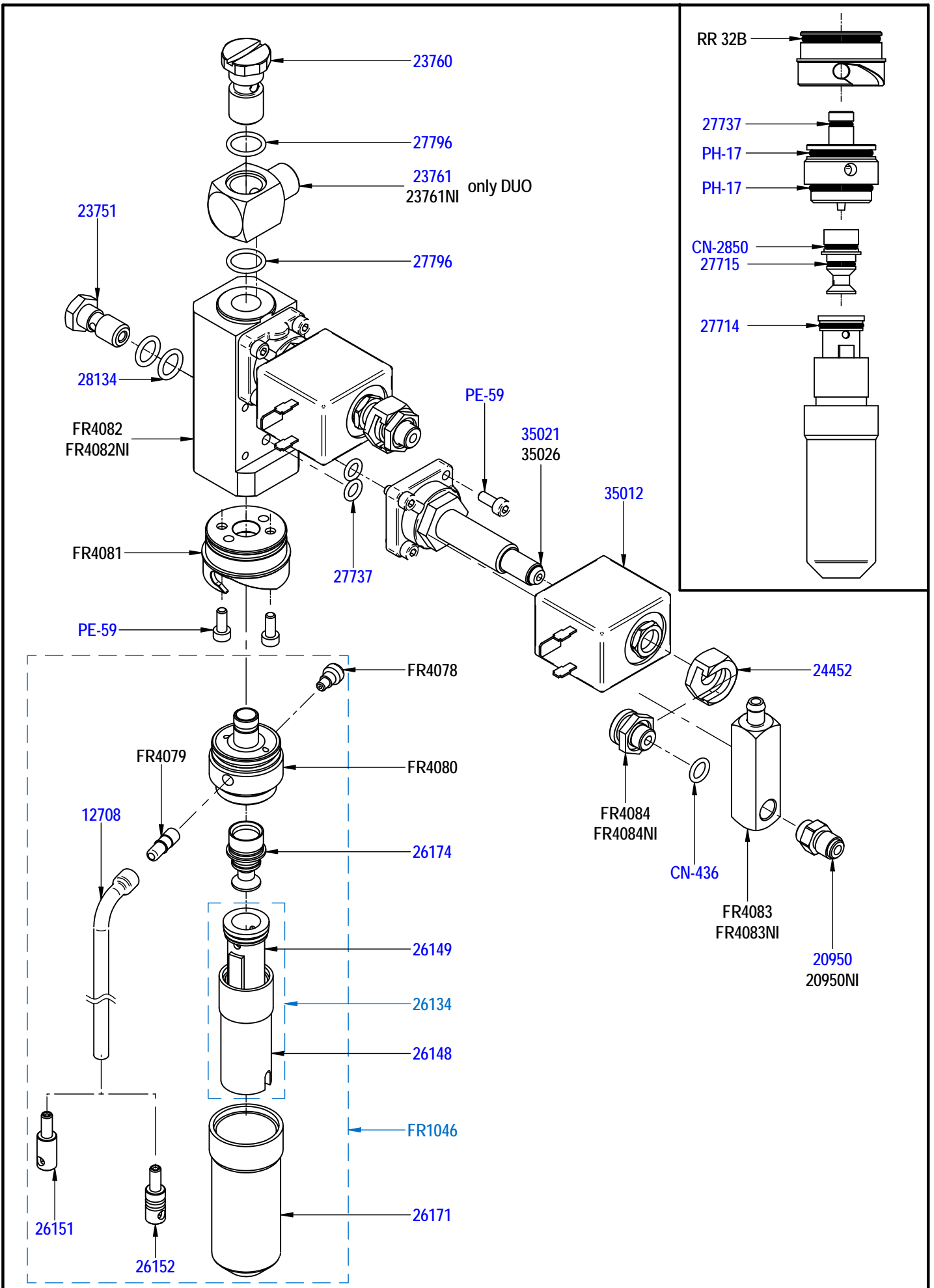
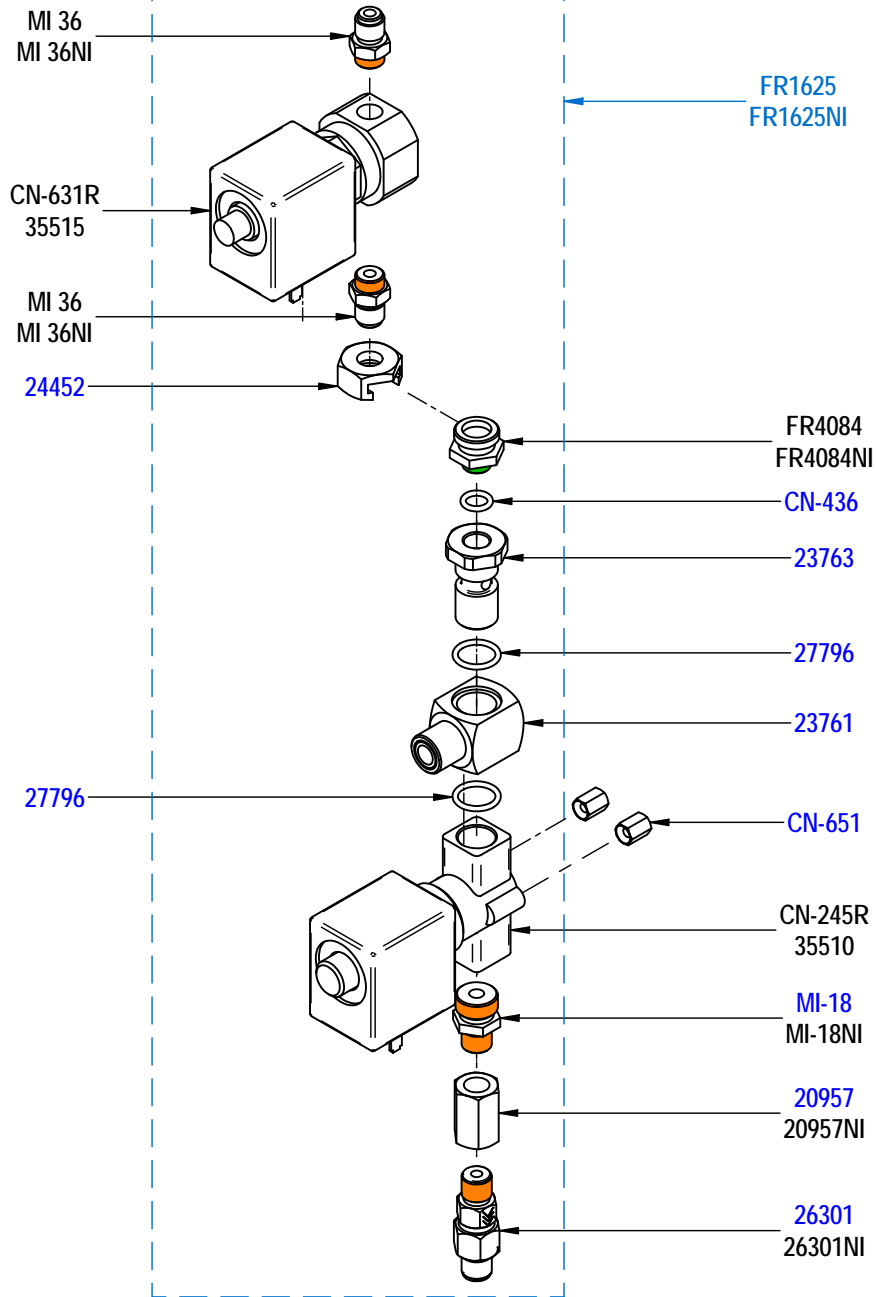


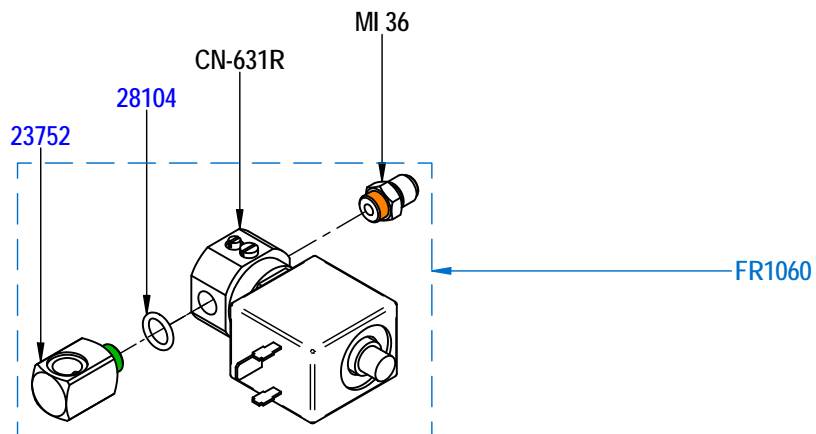
PLANCHE - PLATE 612

REF	DESIGNATIONS FR	DESIGNATIONS GB
20957	RACCORD DROIT 1/8G	FITTING 1/8G
23752	CORPS DE BANJO 1/8	BANJO BODY FOR UNIT HEAD
23761	CORPS DE BANJO 1/4	BANJO BODY 1/4
23763	AXE BANJO 1/4M - 1/8F	BANJO SCREW 1/4M 1/8F
24452	ECROU 1/8F FENDU	NUT 1/8M
26301	CLAPET ANTI-RETOUR 1/8	NO RETURN VALVE 1/8
27796	JOINT TORIQUE 1,78 X 12,42 NEXUS	O RING 1.78 X 12,42
28104	JOINT TORIQUE 2X9,5 FKM 80SH	GASKET 2X9,5
35510	EV 2 VOIES 24V NSF	ELECTROVALVE 2 WAYS 24V NSF
35515	EV 2 VOIES 24V 50-60HZ NSF	EV 2 WAYS 24V 50-60HZ NSF
20957NI	RACCORD DROIT 1/8G NICKELE	FITTING 1/8G NICKEL-PLATED
26301NI	CLAPET ANTI RETOUR 1/8	NON RETURN VALVE 1/8
CN-245R	ELECTROVANNE 2V 24V	ELECTROVALVE 2W 24V
CN-436	JOINT TORIQUE 1,78X8,73 EPDM	GASKET 8,73 X 1,78
CN-631R	ELECTROVANNE 2V REG 24V50-60HZ	ELECTROVALVE 2W ADJ. 24V50-60HZ
CN-651	ENTRETOISE COURTE DU C.I.	SHORT SPACER FRAME
FR1060	EV NETTOYAGE CAPPUCCINO	CAPPUCCINO CLEANING ELECTROVALVE
FR1625	BLOC NETTOYAGE CAFE-CAPPU SOLO	CLEANING COFFEE-CAPPU BLOCK
FR1625NI	BLOC NETTOYAGE CAFE-CAPPU SOLO NSF	CLEANING COFFEE-CAPPU BLOCK NSF
FR4084	RACCORD 1/8M SORTIE EV	CONNECTION 1/8M OUTPOUT EV
FR4084NI	RACCORD 1/8M SORTIE EV NICKELE	CONNECTION 1/8M OUTPOUT EV NICKEL-PLATED
MI-18	RACCORD MM 1/4 - 1/8 G	FITTING - 1/8 x 1/4
MI-18NI	RACCORD MM 1/4 - 1/8 G NICKELE	FITTING - 1/8 x 1/4 NICKEL-PLATED
MI-36	RACCORD 1/8M 1/8M	CONNECTION 1/8
MI-36NI	RACCORD 1/8M 1/8M NICKELE	CONNECTION 1/8 NICKEL-PLATED



SOLO & ACE

DUO



- Loctite 601
- Loctite 542

PLANCHE - PLATE 613

REF	DESIGNATIONS FR	DESIGNATIONS GB
23766	AXE BANJO 1/4M - 1/8F	BANJO SCREW 1/4M 1/8F
26526	SONDE DE NIVEAU HAUT	HIGH LEVEL PROBE
26527	SONDE DE NIVEAU BAS	LOW LEVEL PROBE
27200	SOUPAPE VAPEUR BP 3,5 BARS	LP VALVE 3.5 BARS
27220	SOUPAPE VAPEUR BP 3,5 BARS NSF	LP VALVE 3.5 BARS NSF
27796	JOINT TORIQUE 1,78 X 12,42 NEXUS	O RING 1.78 X 12,42
28134	JOINT TORIQUE 2X9,5 NEXUS	O RING 2X9,5
29055	CHAUDIERE	BOILER
29815	CACHE RESISTANCE	INSULATOR BOOT
29855	ELEMENT CHAUFFANT 230V 4500W	HEATING ELEMENT 230V 4500W
36510	CAPTEUR DE PRESSION 0-16b	0-16b PRESSURE SENSOR
85210	ISOLANT CHAUDIERE	THERMIC INSULATOR
23766NI	AXE DE BANJO 1/4 AVEC 1/8M 1/8F NICKELE	BANJO SCREW 1/4 NICKEL-PLATED
26526NI	SONDE DE NIVEAU HAUT NICKELE	WHOLE HIGH LEVEL PROBE NICKEL-PLATED
26527NI	SONDE DE NIVEAU BAS NICKELE	WHOLE LOW LEVEL PROBE NICKEL-PLATED
29055NI	CHAUDIERE NICKELE	BOILER NICKEL-PLATED
29855NI	ELEMENT CHAUFFANT 230V 4500W	HEATING ELEMENT 230V 4500W
CV-20	JOINT TORIQUE 3,53X66,68 FKM	GASKET - 66.68 x 3.53
CV-3	VIS TH M8 x 20 INOX	S.STEEL SCREW M8 x 20
FR6018	TUBE REGULATION CAPPUCCINO GAUCHE	LEFT CAPUCCINO REGULATION PIPE
FR6018NI	TUBE REGULATION CAPPUCCINO GAUCHE NSF	LEFT CAPUCCINO REGULATION PIPE NSF
FR6055	TUBE EV CAPPUCCINO	CAPPUCCINO EV PIPE
FR6055NI	TUBE EV CAPPUCCINO NSF	CAPPUCCINO EV PIPE
FR6060	TUBE PLONGEUR EAU CHAUDE	HOT WATER DIVER PIPE
FR6060NI	TUBE PLONGEUR EAU CHAUDE NSF	HOT WATER DIVER PIPE
RR-83	RONDELLE GROVER DE 8	WASHER 8
TG4015	RACCORD CAPTEUR DE PRESSION	PRESSURE SENSOR FITTING

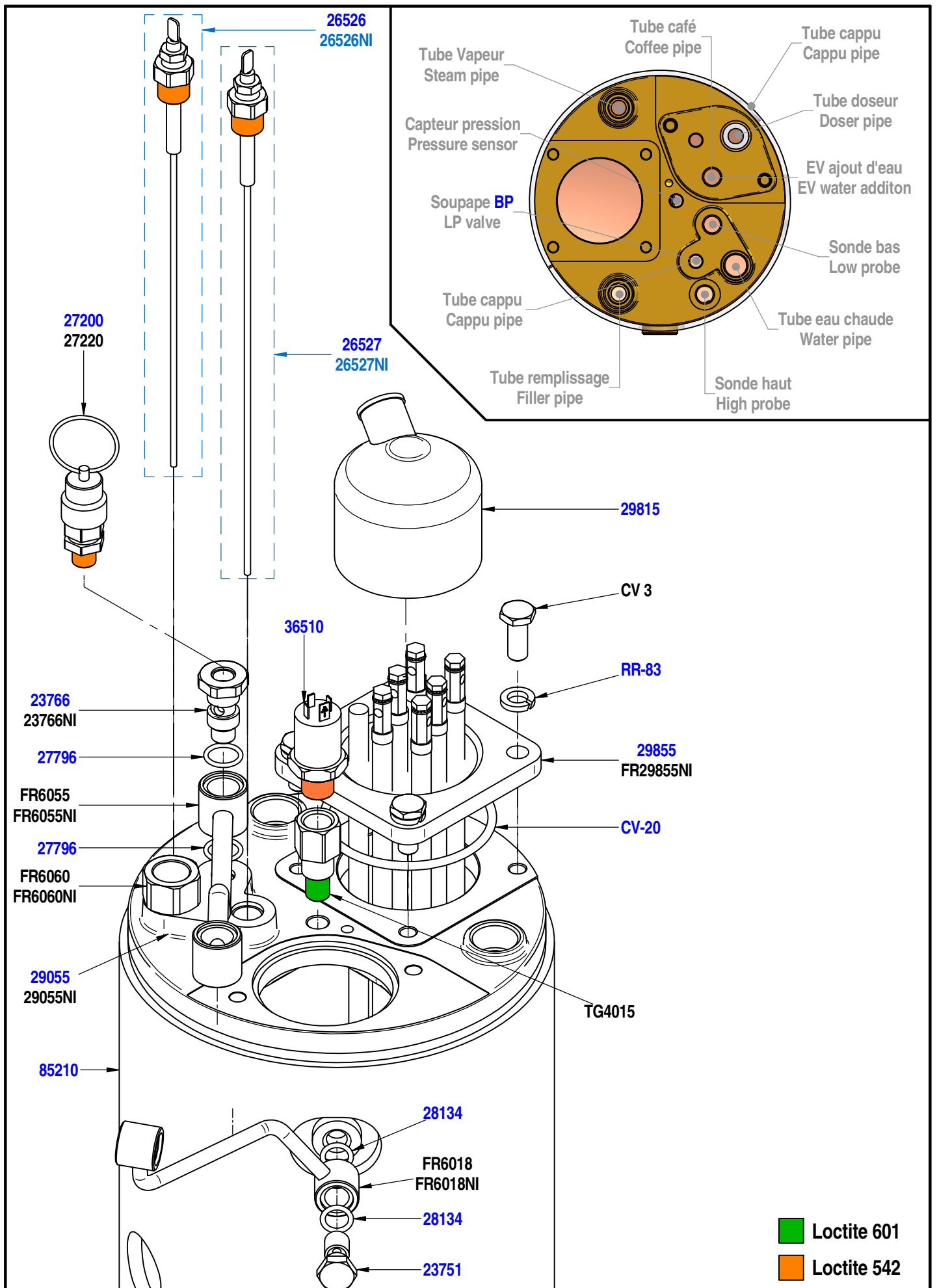


PLANCHE - PLATE 620

REF	DESIGNATIONS FR	DESIGNATIONS GB
21100	BOUCHON 1/8	PLUG 1/8
23761	CORPS DE BANJO 1/4	BANJO BODY 1/4
23766	AXE BANJO 1/4M - 1/8F	BANJO SCREW 1/4M 1/8F
28104	JOINT TORIQUE 2X9,5 FKM 80SH	GASKET 2X9,5
51255	VIS TH M6 X 10 INOX	S. STEEL SCREW M6 X 10
83501	JOINT TORIQUE 3,53 X 29,75	GASKET 3,53 X 29,75
CH-16	JOINT CUIVRE RECUIT 3/8	WASHER - COPPER - 3/8
CN-2850	JOINT TORIQUE 1,78X10,82	GASKET 10.82x1.78
CN-31	VIS TC M3 X 20 INOX	SCREW M3 X 20
CN-342	RONDELLE EVENTAIL 3	WASHER 3
CN-362T	SUPPORT TOLE POUR MINIRUPTEUR	MICROSWITCH HOLDER
CN-37	PATTE INOX FIXATION MINIRUPT.	MICROSWITCH HOLDING BAR
CN-436	JOINT TORIQUE 1,78X8,73 EPDM	GASKET 8,73 X 1,78
CN-441A	RACCORD 1/4M-3/8M	FITTING 1/4 3/8
CN-631R	ELECTROVANNE 2V REG 24V50-60HZ	ELECTROVALVE 2W ADJ. 24V50-60HZ
CN-642	MINIRUPTEUR F=300GR FLASHE OR	MICROSWITCH
CN-679	RESSORT SECU. EAU D13 P5 L30	SPRING
CN-96B	CARTOUCHE POUR FILTRE 80 MIC	FILTER CARTRIDGE 80 MICRONS
DO-74	RACCORD SOUPAPE HP	H.P VALVE CONNECTION
FR1068	KIT MITIGEUR EAU CHAUDE	MIXED HOT WATER KIT
FR1069	BLOC MITIGEUR EAU CHAUDE	MIXED HOT WATER BLOCK
FR4057	BLOC FILTRE EAU MITIGEE	MIXED WATER FILTER BODY
FR4069	RACCORD 1/8M M8 X 100	FITTING 1/8M M8 X 100
FR4095	CUVE FILTRE LAITON	BRASS WATER SAFETY DISK
FR4136	RACCORD SORTIE EAU MITIGEE	MIXED WATER FITTING
FR4138	BOUCHON MELANGEUR	MIXER CAP
FR6505	TUBE PTFE L:730	PTFE PIPE L:730
ID-129	VIS INOX POELIER VM 4 X 8	SCREW 4 X 8
PA-60	MEMBRANE D30	MEMBRANE D30
PB-21	ECROU 3/8 LAITON	FITTING 3/8
PB-88	PISTON	PISTON
PB-89	RONDELLE POUR MEMBRANE	TIGHTENING WASHER
PB-98	EMBOUT	FITTING
PG-49	ECROU INOX Hu DE 3	NUT M3
TC-80	JOINT TORIQUE 1,78X2,90 FKM	GASKET 1.78X2.90 FKM
FR8052 *	CABLE EV EAU MITIGEE	MIXED WATER EV CABLE

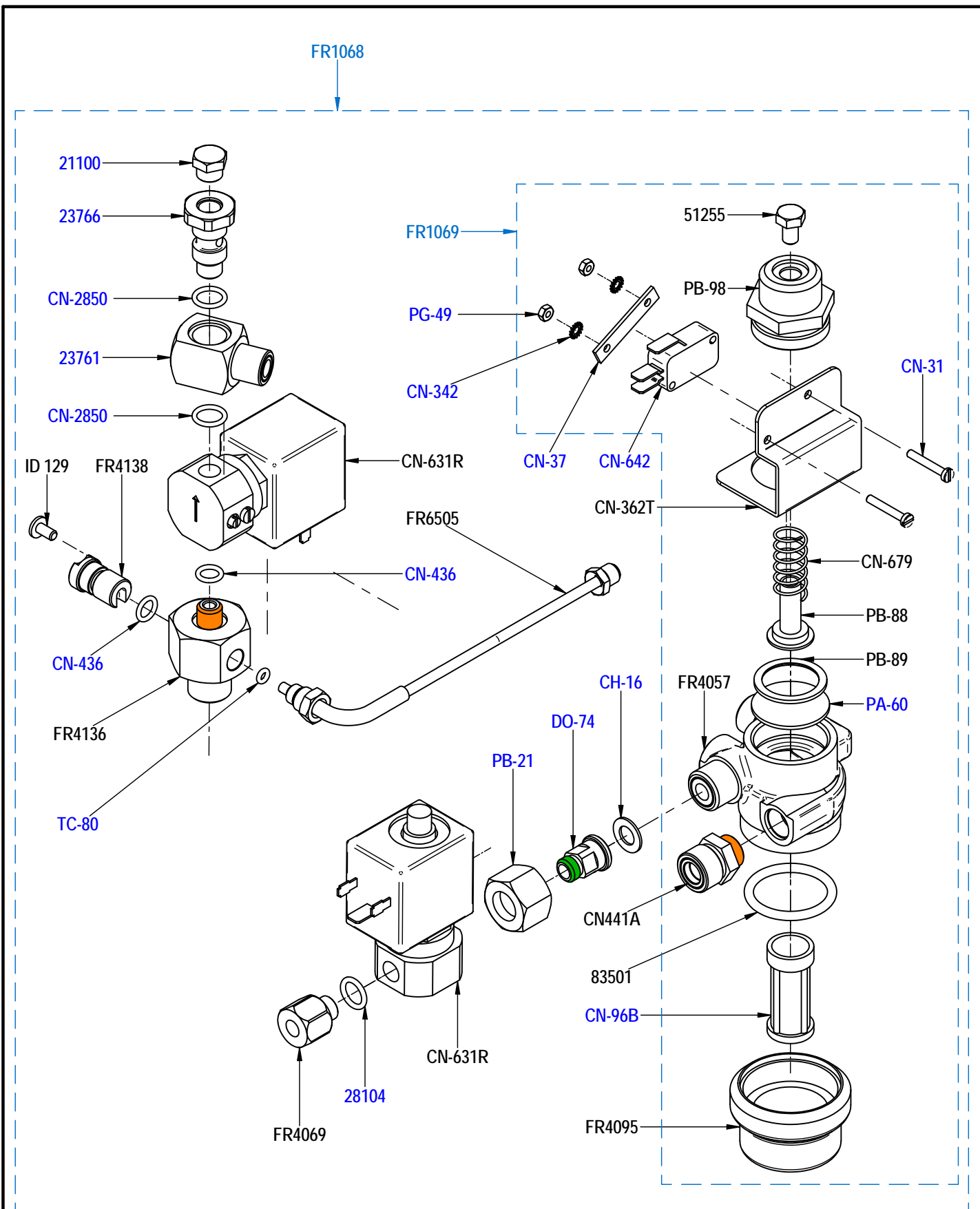


PLANCHE - PLATE 630

REF	DESIGNATIONS FR	DESIGNATIONS GB
28850	PROFILE CAOUTCHOUC U	GASKET
TG1036	SUPPORT POT	JAR HOLDER
TG2043	BEC DEPORTE	SPOUT DEPORTED
TG2044	DESSUS BEC DEPORTE	TOP OF SPOUT

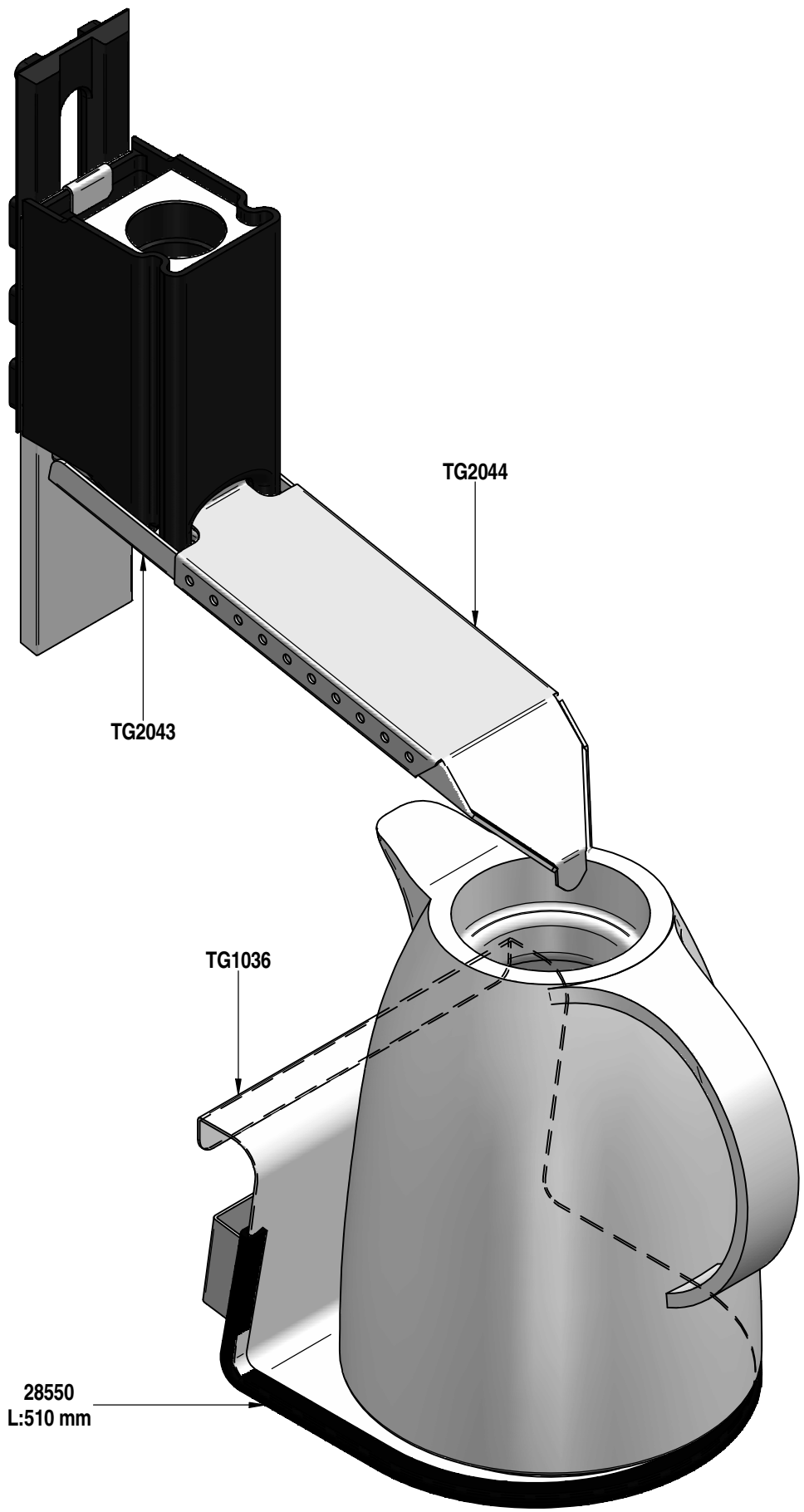


PLANCHE - PLATE 640

REF	DESIGNATIONS FR	DESIGNATIONS GB
12745	TUYAU TRANSMETAL D 16 X 22.2	<i>PIPE D16 X 22.2</i>
25306	TUBE FLEXIBLE C3/8F -3/4F	<i>FLEXIBLE PIPE</i>
54212	PICHET 2000 ML gradué, en polypropylène	<i>JUG 2000 ML gradual, in polypropylene</i>
92025	PASTILLES MACH. AUTOM. / 100 T	<i>TABLETS MACH. AUTOM. / 100 T</i>
92027	DETERGENT LIQUID ACID - LAIT 1000 ML	<i>LIQUID DETERGENT ACID - MILK 1000ML</i>
CN-1105	COLLIER DE SERRAGE 24 X 36	<i>CLAMP COLLAR 24 X 36</i>



PLANCHE - PLATE 651

REF	DESIGNATIONS FR	DESIGNATIONS GB
53410	BOUCHON MOULIN DIA:25	<i>PLUG GRINDER</i>
CN-694	VIS POELIER M 4 X 12 INOX	<i>SCREW M4 X 12</i>
TG3200	CHAUFFE TASSES ACE SOUDE	<i>CUP WARMER ACE</i>
TG3104	VERRIERE CHAUFFE TASSES ACE sans boite DK	<i>CUP RACK without Dk box</i>
TG3105	FOND CHAUFFE TASSES sans boite DK	<i>CUP WARMER SHEET without Dk box</i>
TG3107	PAROI CHAUFFE TASSES GAUCHE	<i>LEFT CUP WARMER SHEET</i>
TG3108	PAROI CHAUFFE TASSES DROITE	<i>RIGHT CUP WARMER SHEET</i>

