

TANGO® S duo

SPARE
PARTS



Merci d'avoir choisi UNIC, premier fabricant français de machines espresso professionnelles depuis 1919.

Thank you for choosing UNIC, the first French manufacturer of professional espresso machines since 1919.

Le fabricant se réserve le droit de modifier sans préavis les caractéristiques de l'appareil, dans un souci d'amélioration de ses performances.
Lire attentivement les consignes de sécurité avant toute utilisation.

*The manufacturer reserves the right to modify the appliances presented in this publication without notice.
Read carefully the safety instructions before use.*

TG9025 03/2016

PIÈCES
DÉTACHÉES

UNIC

TANGO[®] S duo

TABLE DES MATIERES / CONTENTS

**CARACTERISTIQUES TECHNIQUES /
TECHNICAL CHARACTERISTICS**

**SCHEMA HYDRAULIQUE /
HYDRAULIC SKELETON
- CYCLES**

**PIECES DETACHEES /
SPARE PARTS**

**KITS – OUTILS SPECIAUX – PRODUITS DETERGENTS /
KITS – SPECIAL TOOLS – DETERGENT PRODUCTS**

**CARTES ELECTRONIQUES /
ELECTRONICAL CARDS**

**CABLAGE CONNECTEURS /
WIRING CONNECTORS**

**CODES D'ERREUR /
ERROR CODES**

**SCHEMAS ELECTRIQUE DE PRINCIPE /
SKELETON ELECTRIC DIAGRAMS**

**CARACTERISTIQUES TECHNIQUES /
TECHNICAL CHARACTERISTICS**

TANGO[®] 5 duo



2 GROUPES - 2 MOULINS
2 GROUP - 2 GRINDERS

DIMENSIONS : Largeur / Hauteur / Profondeur (Cm)
DIMENSIONS : width / height / depth (In.)

60.3 / 75.3 / 63
23,74 / 29,64 / 24.8

POIDS / WEIGHT (kg / lb)

105 / 232,9

CAPACITES: Chaudière vapeur-café / coffee-steam boiler (litre / liter)
CAPACITIES: Bac à marc / grout box

6,5 - 6,5
100 cafés / coffees

TASSES / heure - CUPS / hour

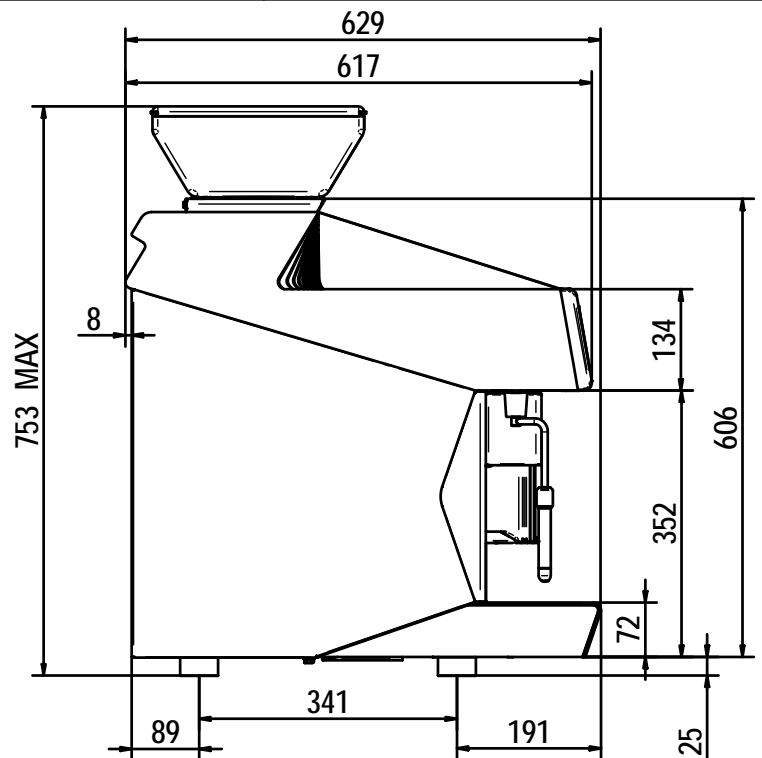
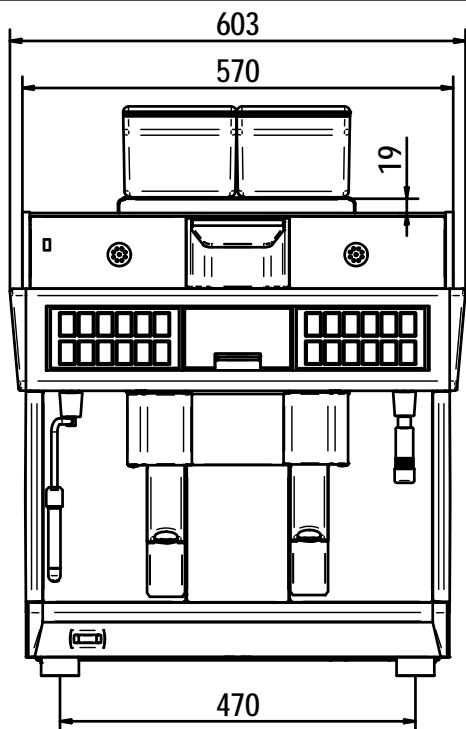
+ 500

CARACTERISTIQUES ELECTRIQUES / ELECTRIC RATING

230 / 400V 8KW 35 A / 12A

PUISSANCE DE CHAUFFE / HEATING POWER

4370W + 2500W + 200W



04/14

CARACTERISTIQUES TECHNIQUES
TECHNICAL CHARACTERISTICS

UNIC

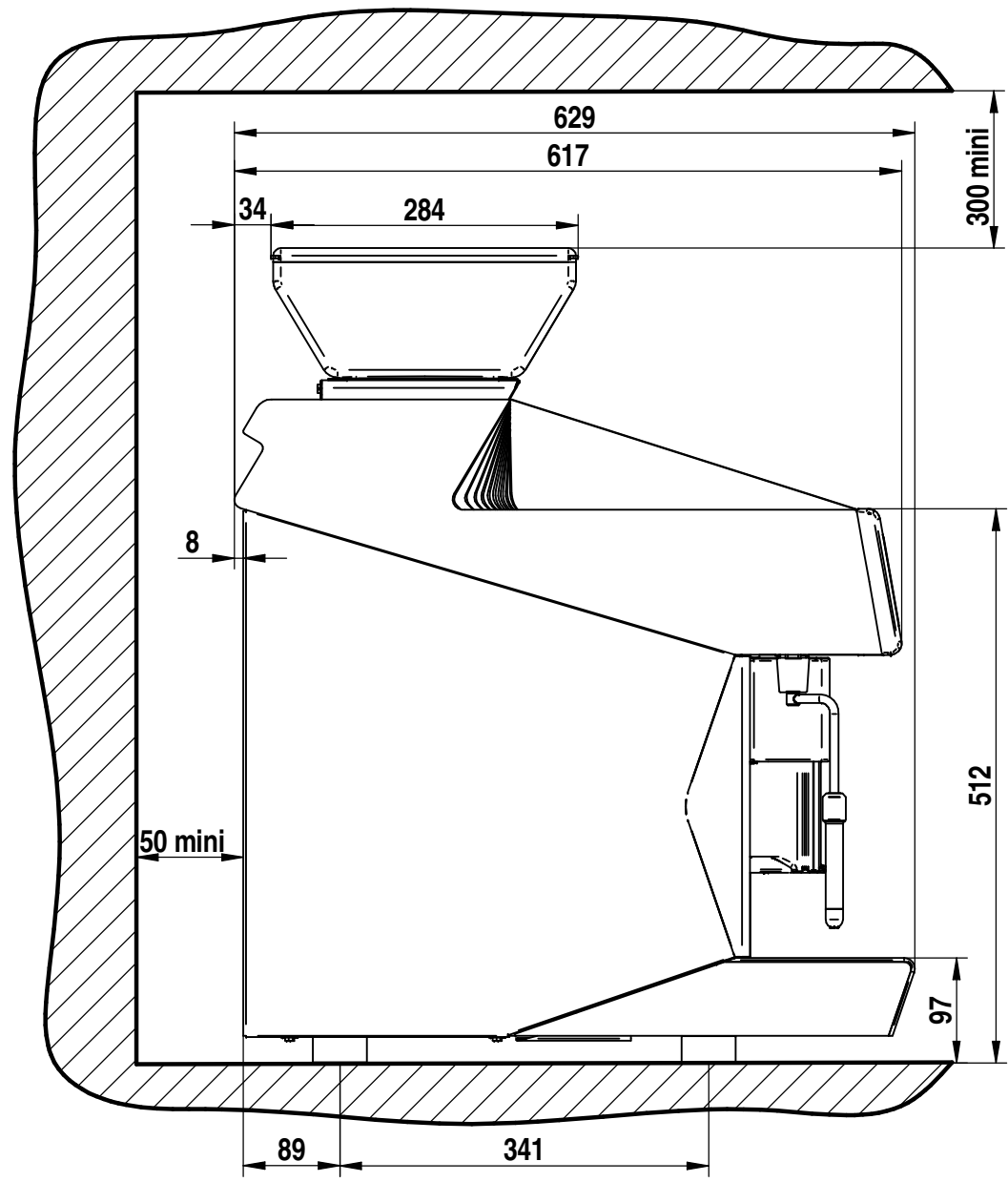
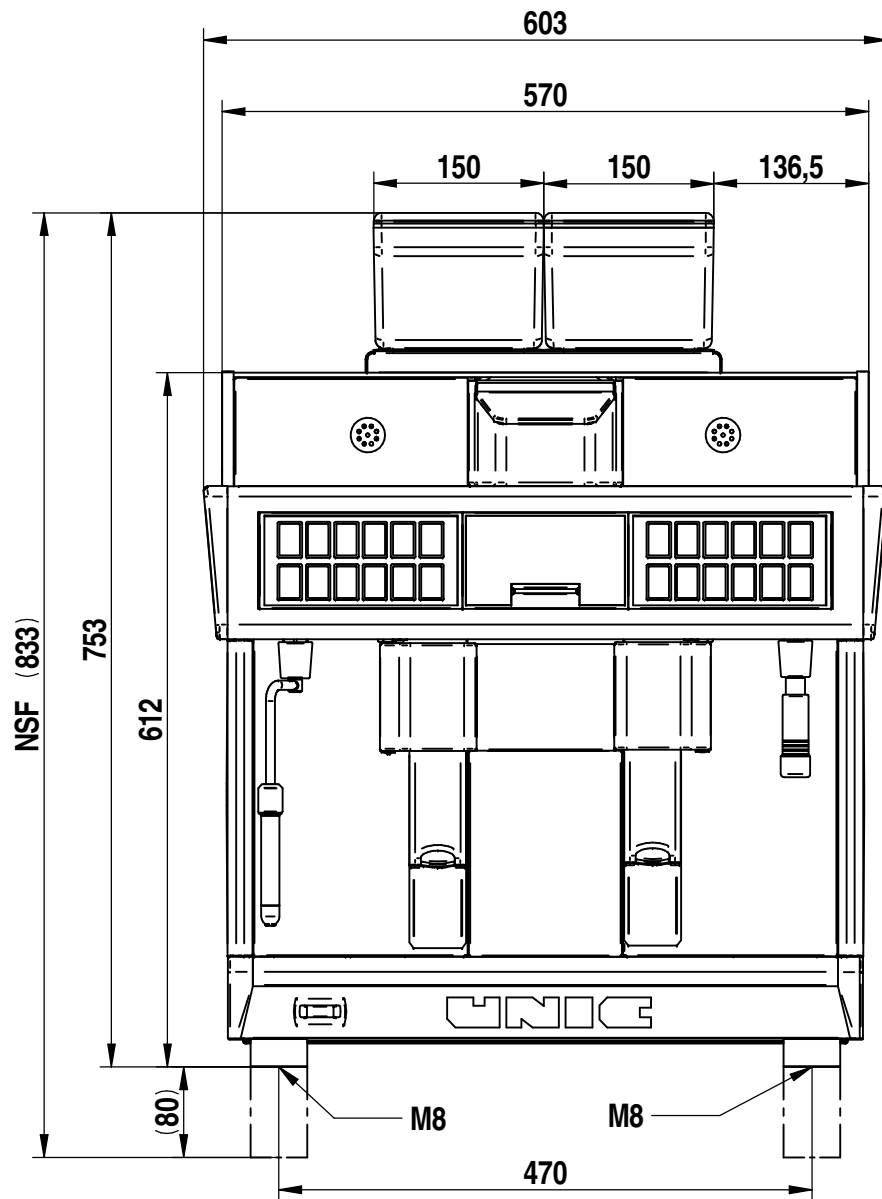
PUISSANCE ELECTRIQUE ELECTRICAL RATING

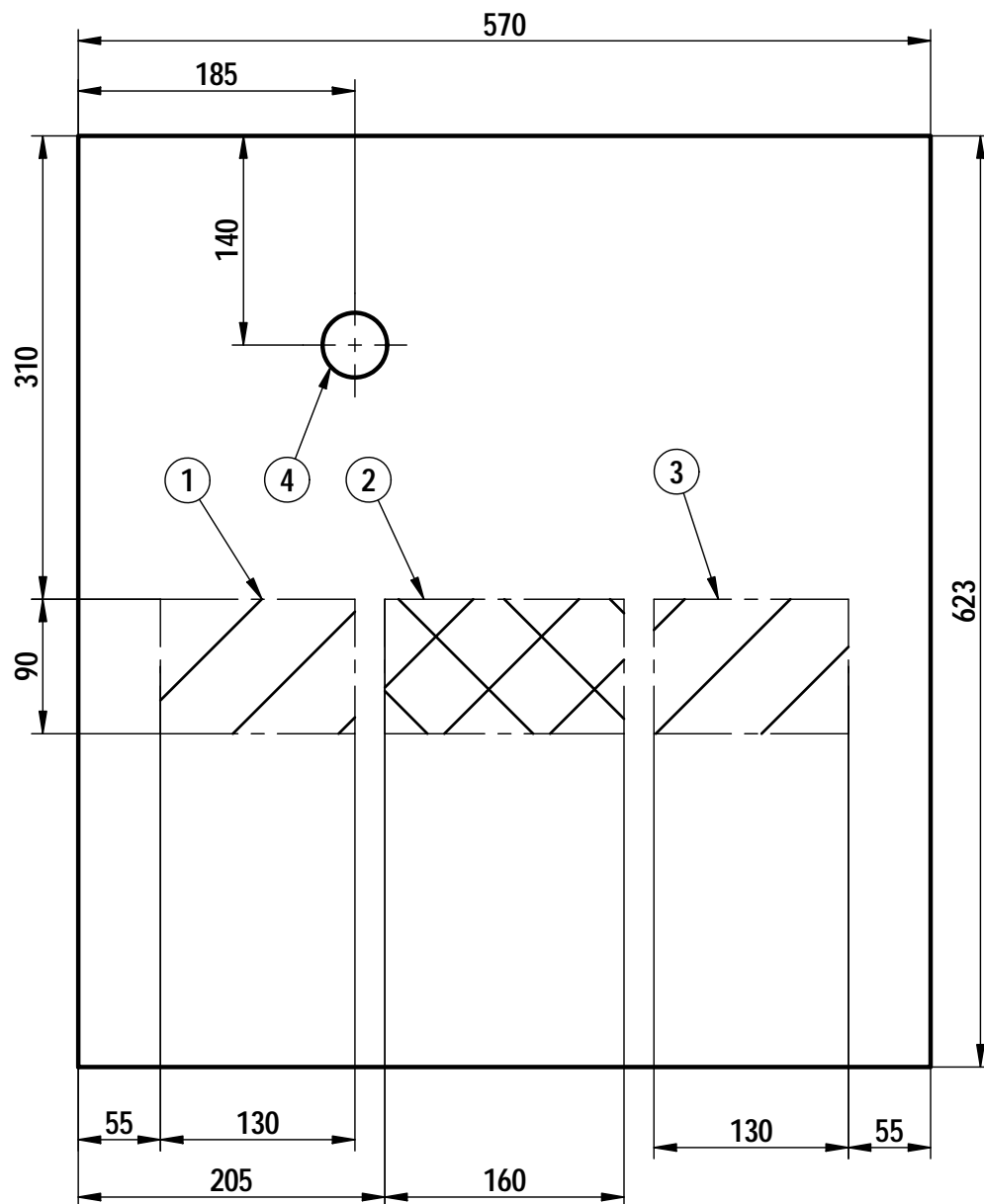
STANDARD

STANDARD				PUISSANCE POWER		
PAYS COUNTRY	REP	TENSION VOLTAGE	COURANT CURRENT	TOTAL	CHAUDIERE VAPEUR STEAM BOILER	CHAUDIERE CAFE COFFEE BOILER
PHILIPPINES	(0)	415V Tri + N 60Hz	Ph 2+3 :7A Ph 1+N : 21A	8000 W	2720 W	4760 W
EUROPE	(1)	400V Tri + N 50Hz	Ph 2+3 :6.5A Ph 1+N :20A	7500 W	2500 W	4370 W
EUROPE	(2)	230V Mono 50Hz	32.5 A	7500 W	2500 W	4370 W
UK	(3)	415V Tri + N 50Hz	Ph 2+3 :7A Ph 1+N :21A	8000 W	2720 W	4760 W
UK	(4)	240V Mono 50Hz	34 A	8100 W	2720 W	4760 W
JAPON	(5)	200V Tri 50Hz	Ph 1: 9.5A Ph.2+3: 21.5A	5800 W	1890 W	3300 W
JAPON	(6)	200V Mono 50Hz	28 A	5700 W	1890 W	3300 W
EUROPE	(7)	230V Tri 50Hz	Ph 1: 11A Ph 2+3: 24A	5800 W	2500 W	4370 W
USA	(8)	240V Mono 60Hz 208V Mono 60Hz	34A 31A	8100 W 6400 W	2720 W 2045 W	4760 W 3890 W
USA	(9)	240V Tri 60Hz 208V Tri 60Hz	Ph 1: 11.5A. Ph2+3: 25.5A Ph 1: 11A. Ph2+3: 23.5A	8000 W 6500 W	2720 W 2045 W	4760 W 3890 W

OPTION

OPTION				PUISSANCE POWER		
PAYS COUNTRY	REP	TENSION VOLTAGE	COURANT CURRENT	TOTAL	CHAUDIERE VAPEUR STEAM BOILER	CHAUDIERE CAFE COFFEE BOILER
EUROPE	(A)	400V Tri + N 50Hz	Ph 2+3 : 9,5 A Ph 1+N : 23A	9700 W	2500 W	6560 W
UK	(C)	415V Tri + N 50Hz	Ph 2+3 : 10A Ph 1+N : 24A	10500 W	2720 W	7140 W
JAPON	(E)	200V Tri 50Hz	Ph 1: 14.5A Ph 2+3 : 26.5A	7300 W	1890 W	4960 W
EUROPE	(G)	230V Tri 50Hz	Ph 2+3:16.5A Ph 1+N: 30A	9700 W	2500 W	6560 W
PHILIPPINES	(J)	415V Tri + N 60Hz	Ph 2+3: 10A Ph 1+N: 24A	10500 W	2720 W	7140 W





1 - Zone de passage tube de vidange (raccordement avec un tube 12-14mm avec un raccord 3/4F) + possibilité de passage câble alimentation .

2 -Zone de passage éventuel pour une évacuation du marc vers une poubelle.

3 - Zone de passage tube arrivée d'eau (raccordement avec un tube Ø 8-10mm avec un raccord 3/8F coudé).

4 - Passage possible câble d'alimentation.

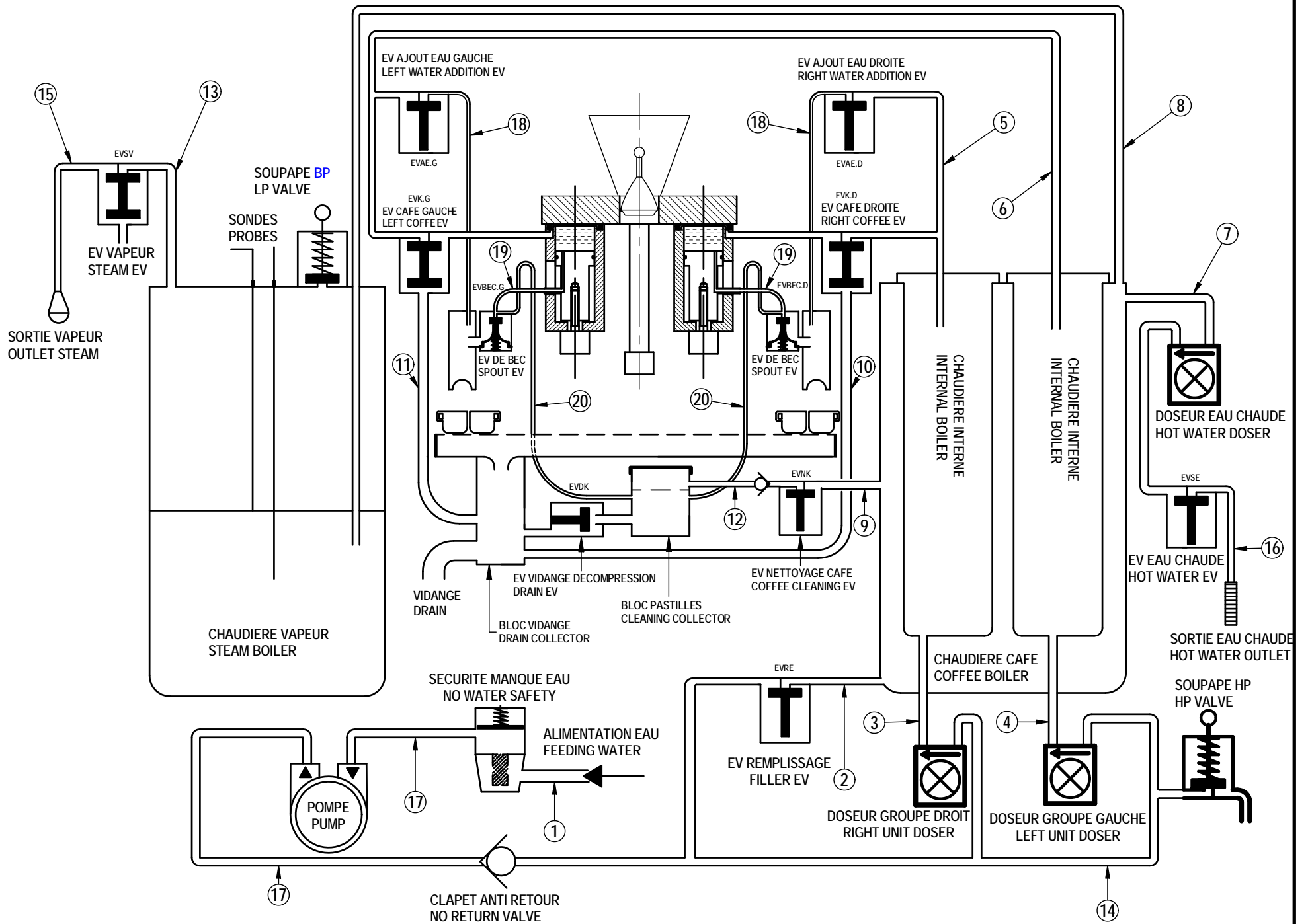
1 Passing zone of the draining tube (connection with a tube 12-14mm with a 3/4F fitting) + a possibility to pass a feeding wire

2 Passing zone which can be used for the evacuation of the used coffee grounds towards a dustbin

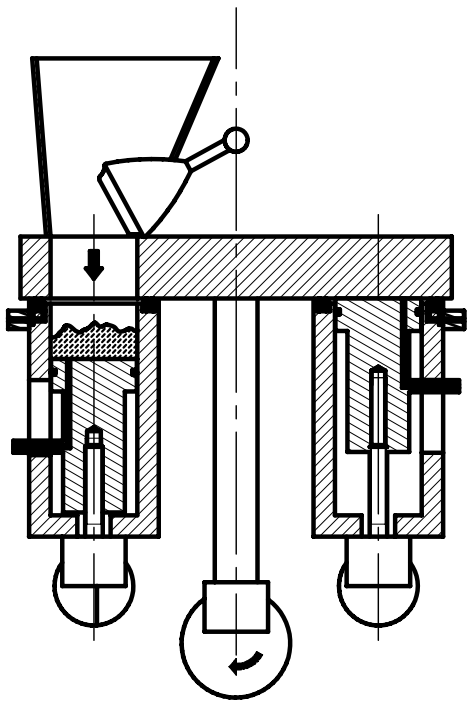
3 Passing zone of the water inlet tube (connection with a Ø 8-10mm tube with a elbowed 3/8F fitting)

4 Possibility of passing a feeding wire

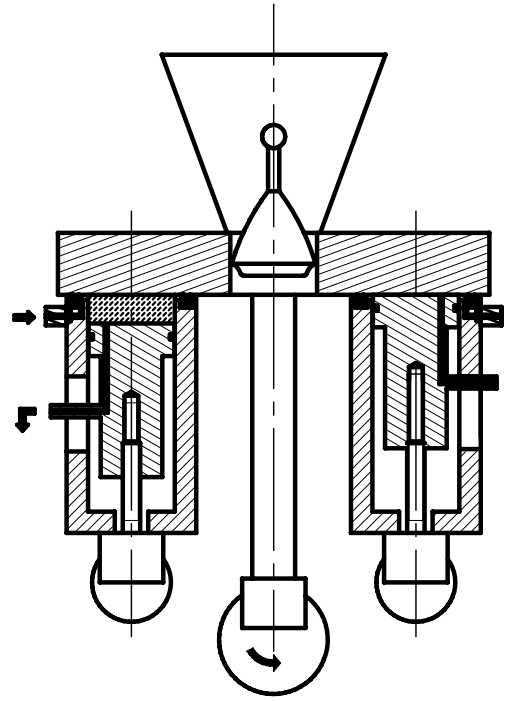
**SCHEMA HYDRAULIQUE /
HYDRAULIC SKELETON
-
CYCLES**



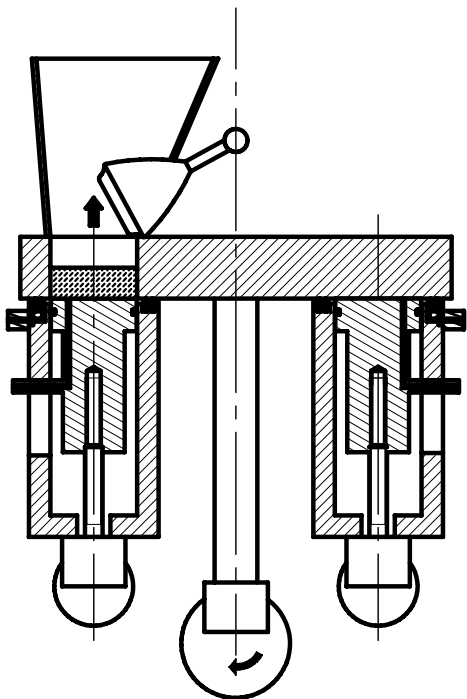
CYCLE CAFE 2 GROUPES / COFFEE CYCLE 2 UNITS



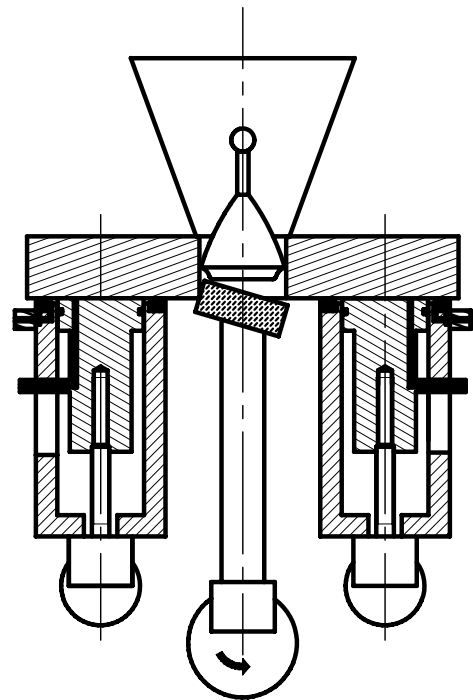
CHARGEMENT CAFE
COFFEE FEEDING



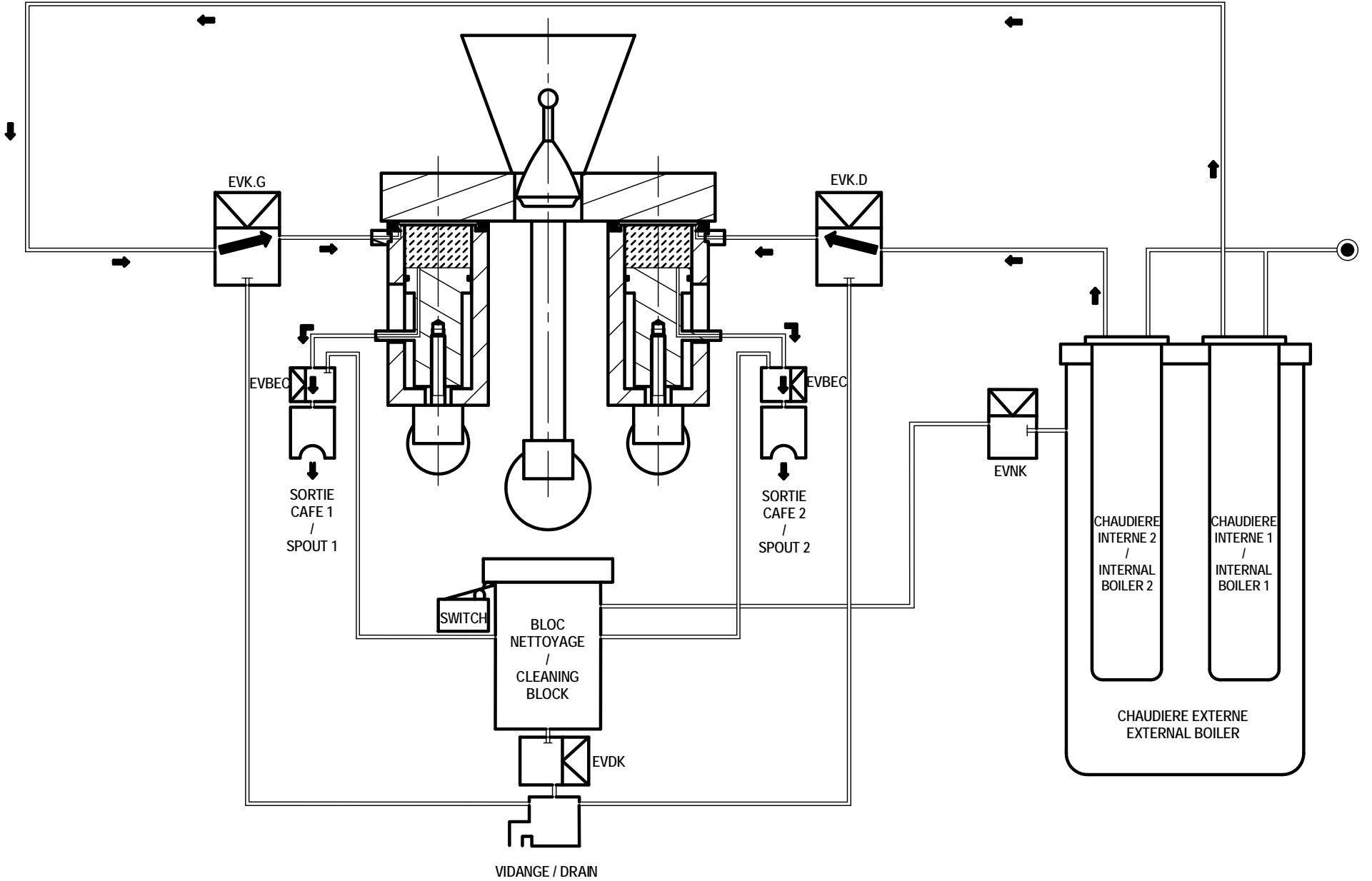
INFUSION
INFUSION

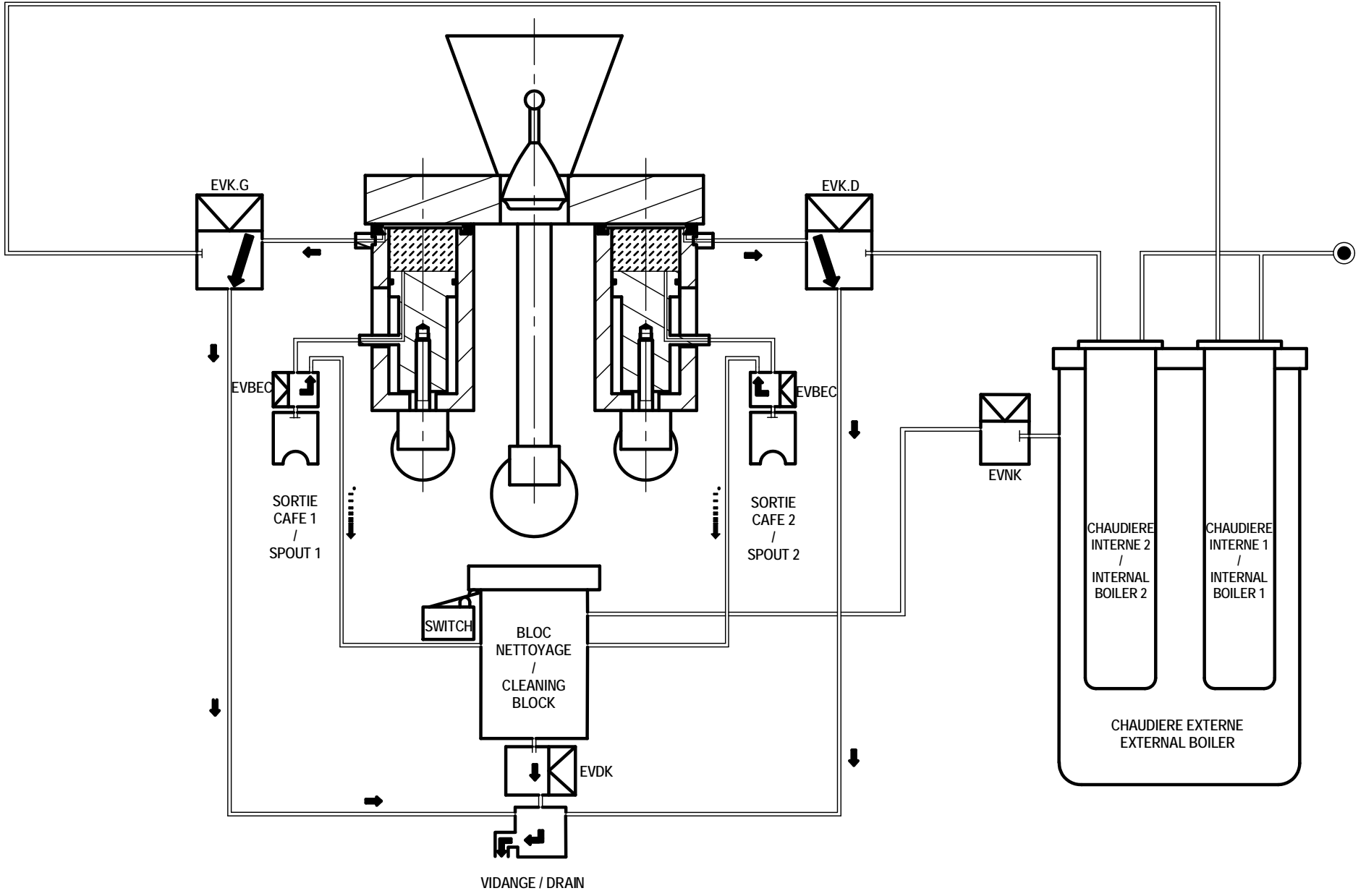


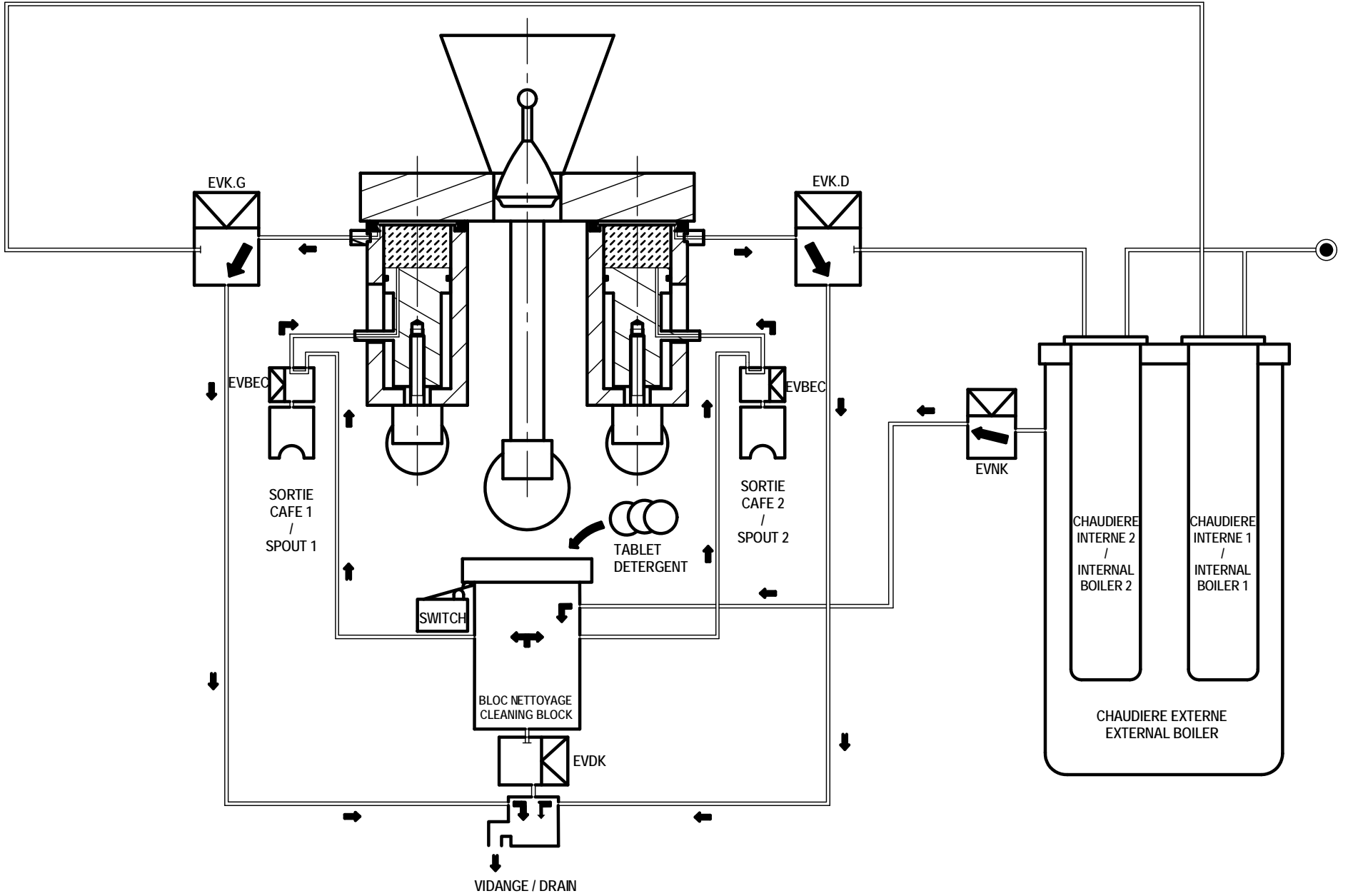
EJECTION DU MARC
EJECTION OF GROUT

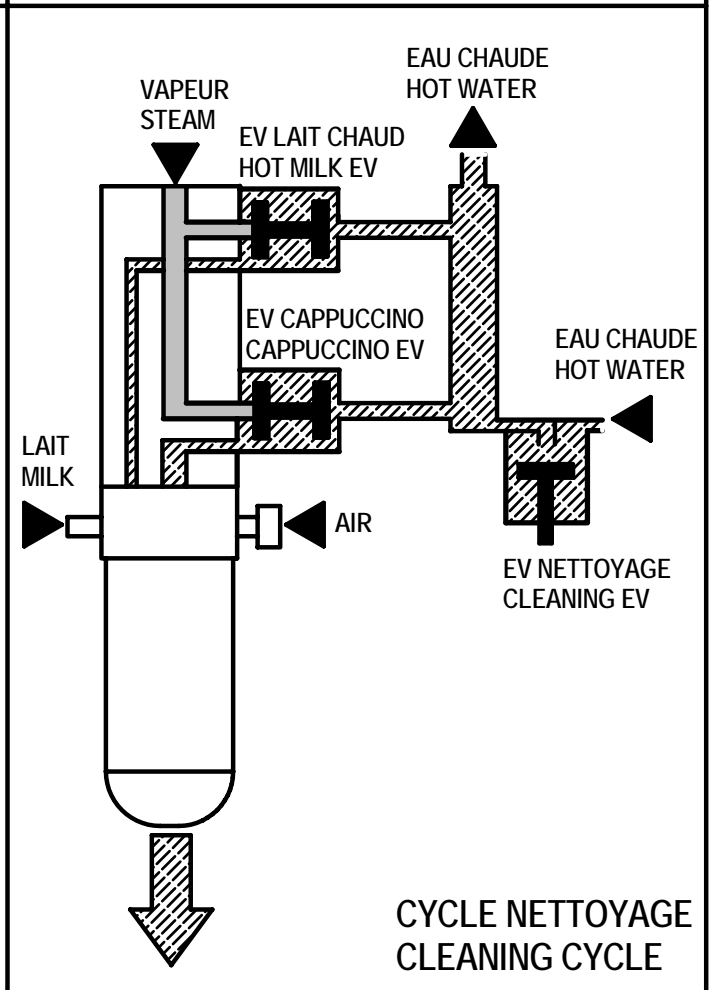
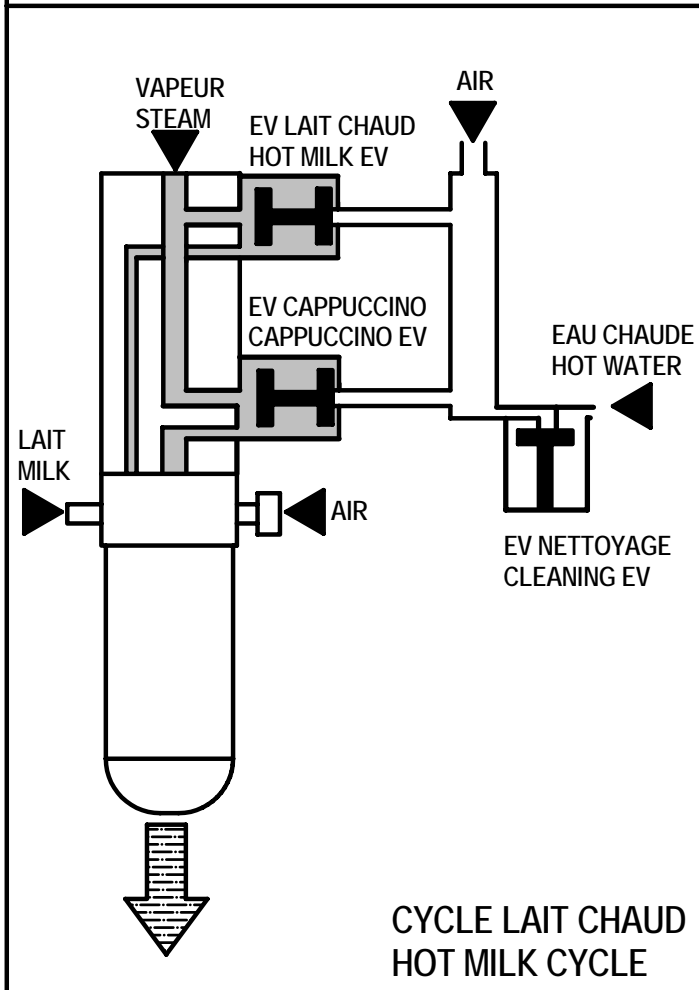
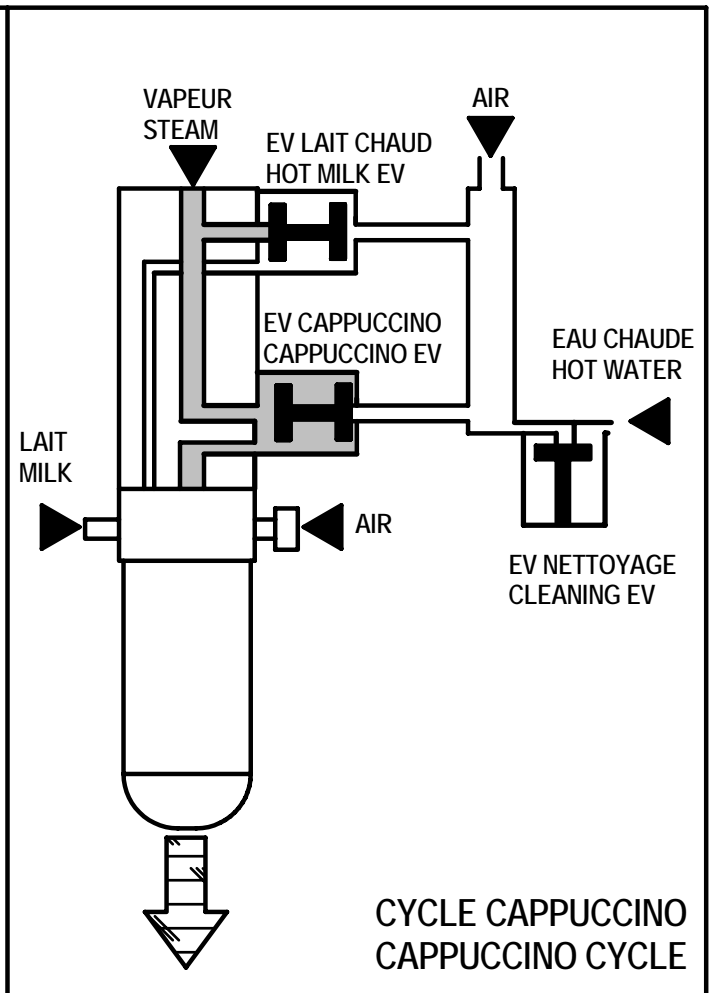
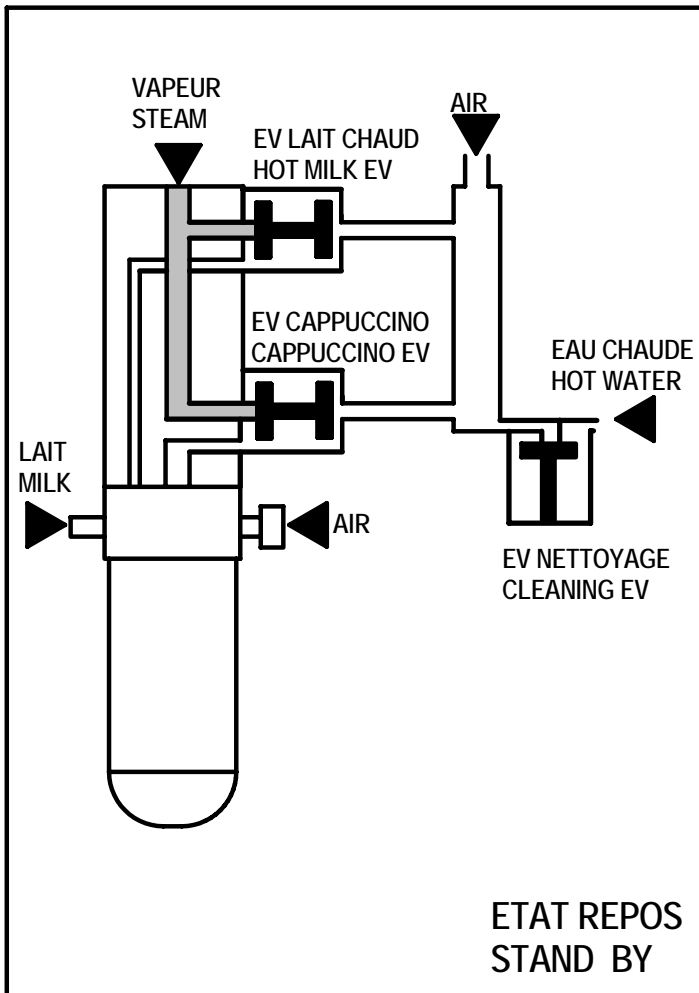


ETAT REPOS
STAND BY









**PIECES DETACHEES /
SPARE PARTS**

TANGO S DUO

LISTE DES PIECES DETACHEES

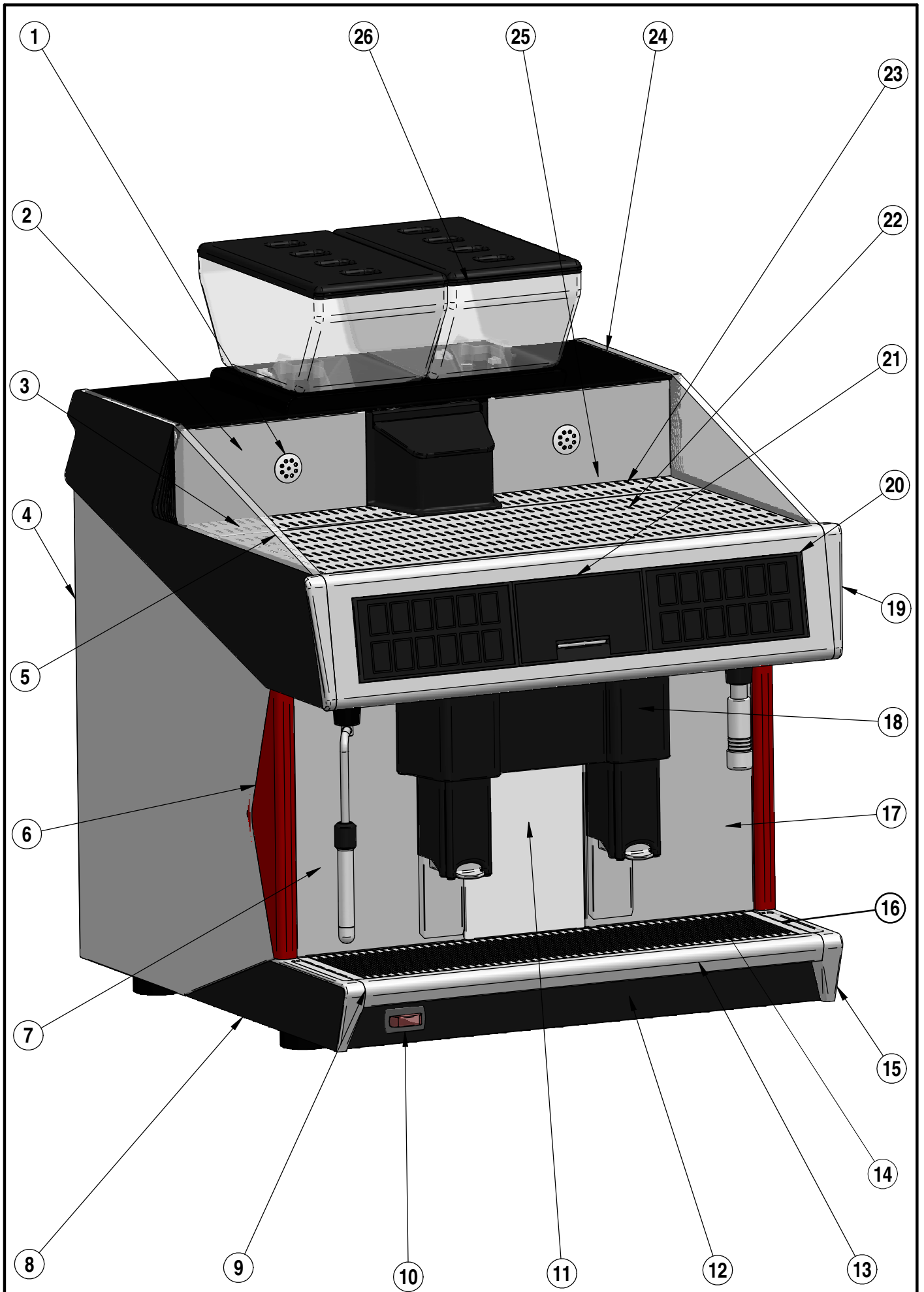
LIST OF SPARE PARTS

PLANCHES / PLATES

10	TANGO DUO	TANGO DUO
20	TANGO ARRIERE	TANGO BACK
25	PIEDS HAUTS	HIGH FEET
32	ENSEMBLE TREMIE 150	HOPPER 150 UNIT
34	TRAPPE FERMETURE TREMIE 150	CLOSING HATCH FOR HOPPER 150
100	ENSEMBLE DEVANT DROIT ET GAUCHE	LEFT AND RIGHT FRONT CASING
105	GOULOTTE EVACUATION	DRAIN CHUTE
110	BEC CAFE	COFFEE SPOUT
111	ELECTROVANNE DE BEC	SPOUT ELECTROVALVE
120	DIFFUSEUR COTE	LIGHT DIFFUSER
140	CHARIOT DE BASSINE DUO	DUO OVERFLOW TRAY TROLLEY
150	ENSEMBLE CHAUFFE TASSES	CUP WARMER ASSEMBLED
160	PORTILLONS	DOORS
170	ENSEMBLE DESSUS 2 TREMIES DUO	GRINDER TOP PLATE ASSEMBLED DUO
173	ENSEMBLE DESSUS 1 TREMIE DUO	GRINDER TOP PLATE ASSEMBLED DUO
180	COTES	SIDES
200	ENSEMBLE GROUPE	UNIT
210	GROUPE CAFE	COFFEE UNIT
222	GROUPE CAFE 2 PISTONS ECLATE	EXPLODE 2 PISTONS COFFEE UNIT
225	GROUPE CAFE 1 PISTON ECLATE	EXPLODE 1 PISTONCOFFEE UNIT
230	ELECTROVANNE CAFE	COFFEE ELECTROVALVE
236	MOTEUR PLATEAU + SECURITE TIROIR	TURNTABLE MOTOR DRAWER SAFETY
251	PISTON	PISTON
260	ENTONNOIR	FUNNEL
270	ENSEMBLE NETTOYEUR	CLEANING DEVICE
280	TUBE PTFE SORTIE CAFE	OUTLET COFFEE PIPE
290	BOITE A DK	DK BOX
302	CIRCUIT HYDRAULIQUE	HYDRAULIC CIRCUIT
320	CHAUDIERE VAPEUR	STEAM BOILER
340	CHAUDIERE INTERNE	INTERNAL BOILER
350	CHAUDIERE INTERNE ET EV AJOUT EAU	INTER. BOILER / WATER ADDING EV
360	SONDES DE NIVEAUX	LEVEL PROBE
380	BLOC DOSEUR	DOSER
410	SOUPAPE HP	HIGH PRESSURE VALVE
431	BLOC NETTOYAGE GROUPE ET VIDANGE	UNIT CLEANING AND DRAIN DEVICE
445	SYSTÈME DE NETTOYAGE	CLEANING SYSTEME
450	ENSEMBLE ELECTROVANNE NETTOYAGE CAFE	COFFEE CLEANER ELECTROVALVE UNIT
460	SECURITE MANQUE D'EAU	WATER PRESENCE SAFETY
470	BLOC CAPPUCCINO	CAPPUCCINO DEVICE
480	ENSEMBLE MANOMETRE	MANOMETER ASSEMBLED
490	ELECTROVANNE VIDANGE ET CAPPUCCINO	DRAIN AND CAPUCCINO ELECTROVALVE
510	SORTIE VAPEUR PTFE	PTFE STEAM SPOUT
515	EMULSION LAIT THERMOSTATEE TANGO	TANGO AUTOMATIC MILK FOAMING SYSTEM
520	SORTIE STEAMAIR TANGO	TANGO STEAMAIR OUTLET
530	SORTIE EAU CHAUDE	HOT WATER OUTLET
535	SORTIE EAU CHAUDE REGLABLE	ADJUSTABLE HOT WATER OUTLET
540	SORTIE VAPEUR DEBIT REGLABLE	ADJUSTABLE FLOW STEAM OUTLET
600	MOTEUR POMPE	PUMP MOTOR
630	MOULINS	GRINDERS
650	TRANSFORMATEUR	TRANSFORMER
690	TABLEAU DE RACCORDEMENT ELECT.	ELECTRIC CONNECTION PANEL
700	CARTE ELECTRONIQUE TANGO	ELECTRONIC BOARD TANGO
740	CALANDRE	FRONT PANEL
770	TIROIR A MARC COMPLET	WHOLE WASTE DRAWER

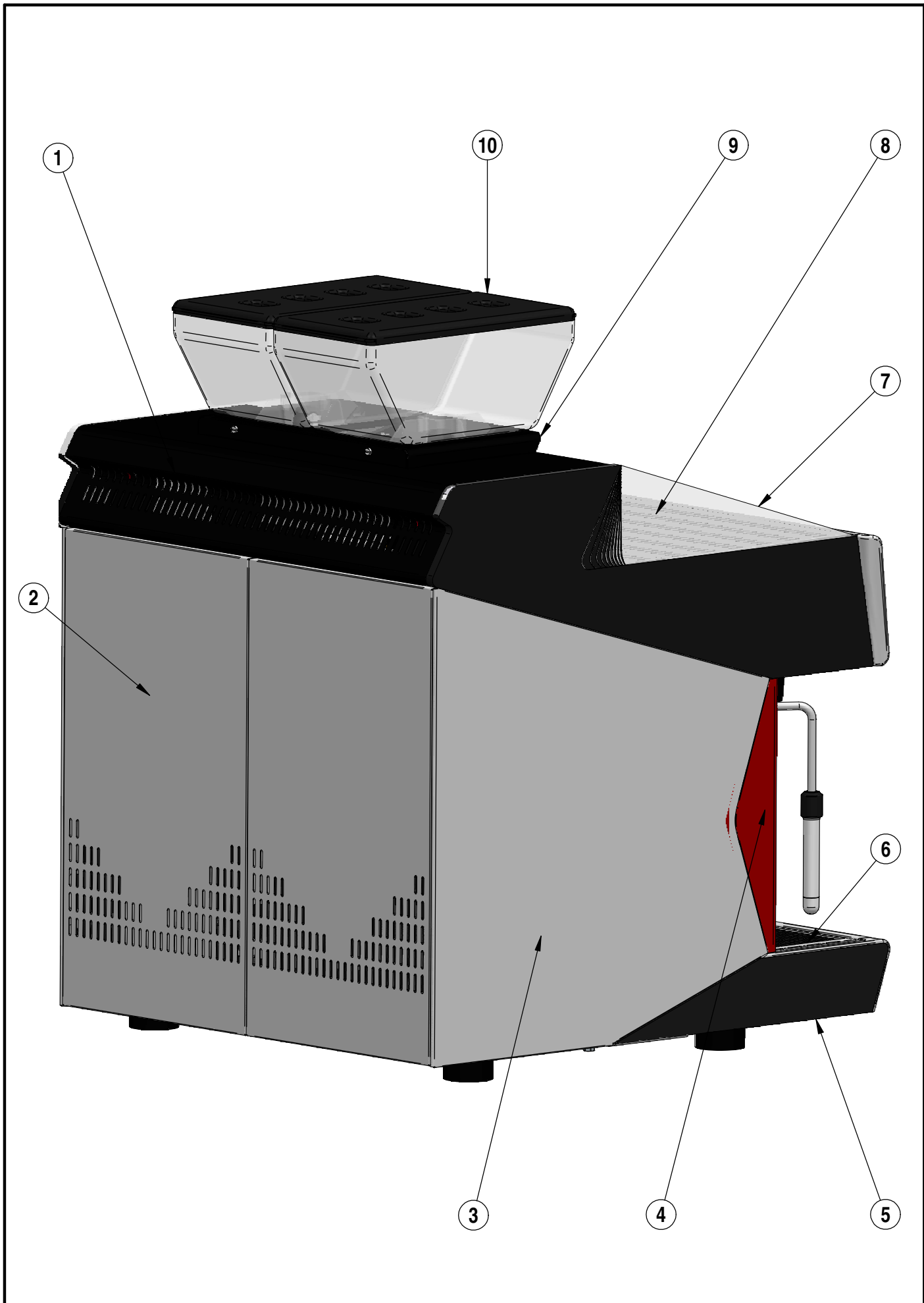
PLANCHE/PLATE : 010

REP	REF	DESIGNATIONS	DESIGNATIONS
1	53410	BOUCHON MOULIN DIA:25	PLUG GRINDER
2	TG3007	PAROI LATERALE GAUCHE	LEFT WALL
3	TG3011	VERRIERE AR GAUCHE	LEFT BACK CUP RACK
4	TG3020	COTE GAUCHE	LEFT SIDE
4	TG3021	COTE DROIT	RIGHT SIDE
5	TG3000	COTE CHAUFFE TASSES G	LEFT SIDE CUP WARMER
5	TG3001	COTE CHAUFFE TASSES D	RIGHT SIDE CUP WARMER
6	TG7006	DIFFUSEUR COTE	LIGHT DIFFUSER
7	TG3005	DEVANT GAUCHE	LEFT FRONT PANEL
8	TG4000	ENJOLIVEUR JOUE DE BASSINE G	LEFT ORNAMENTAL OVERFLOW TRAY
8	TG4002	ENJOLIVEUR JOUE DE BASSINE D	RIGHT ORNAMENTAL OVERFLOW TRAY
9	TG7000	JOUE DE BASSINE GAUCHE	LEFT ORNAMENTAL HOLDER
10	43215	DISJONCTEUR	CIRCUIT BREAKER
11	FR3119	BAC A MARC COMPLET NOIR	WASTE DRAWER
11	TG1028	BAC A MARC COMPLET	WASTE DRAWER
12	TG4003	BANDEAU BASSINE	STRIP
13	TG2002	DEVANT DE BASSINE	FRONT OVERFLOW TRAY
14	TG2001	GRILLE DE BASSINE	OVERFLOW TRAY GRID
15	TG7002	JOUE DE BASSINE DROITE	RIGHT ORNAMENTAL HOLDER
16	TG2000	BASSINE TANGO2 DUO	OVERFLOW TRAY
17	TG3006	DEVANT DROIT	RIGHT FRONT PANEL
18	FR7025	PORTILLON	DOOR
19	TG7010	OREILLE GAUCHE	LEFT ORNAMENTAL FRONT PANEL
19	TG7012	OREILLE DROITE	RIGHT ORNAMENTAL FRONT PANEL
20	46140	CLAVIER 12 TOUCHES	KEY BOARD 12
21	45080	BOITIER CENTRAL COMPLET	ELECTRONIC BOX
22	TG3010	VERRIERE CHAUFFE TASSES AV	FRONT CUP RACK
23	TG3012	VERRIERE AR DROITE	RIGHT BACK CUP RACK
24	TG2010	DESSUS 2 TREMIES	2 HOPPERS TOP PLATE
25	TG3008	PAROI LATERALE DROITE	RIGHT WALL
26	FR1605	ENSEMBLE TREMIE 150	HOPPER 150 FOR COFFEE GRINDER



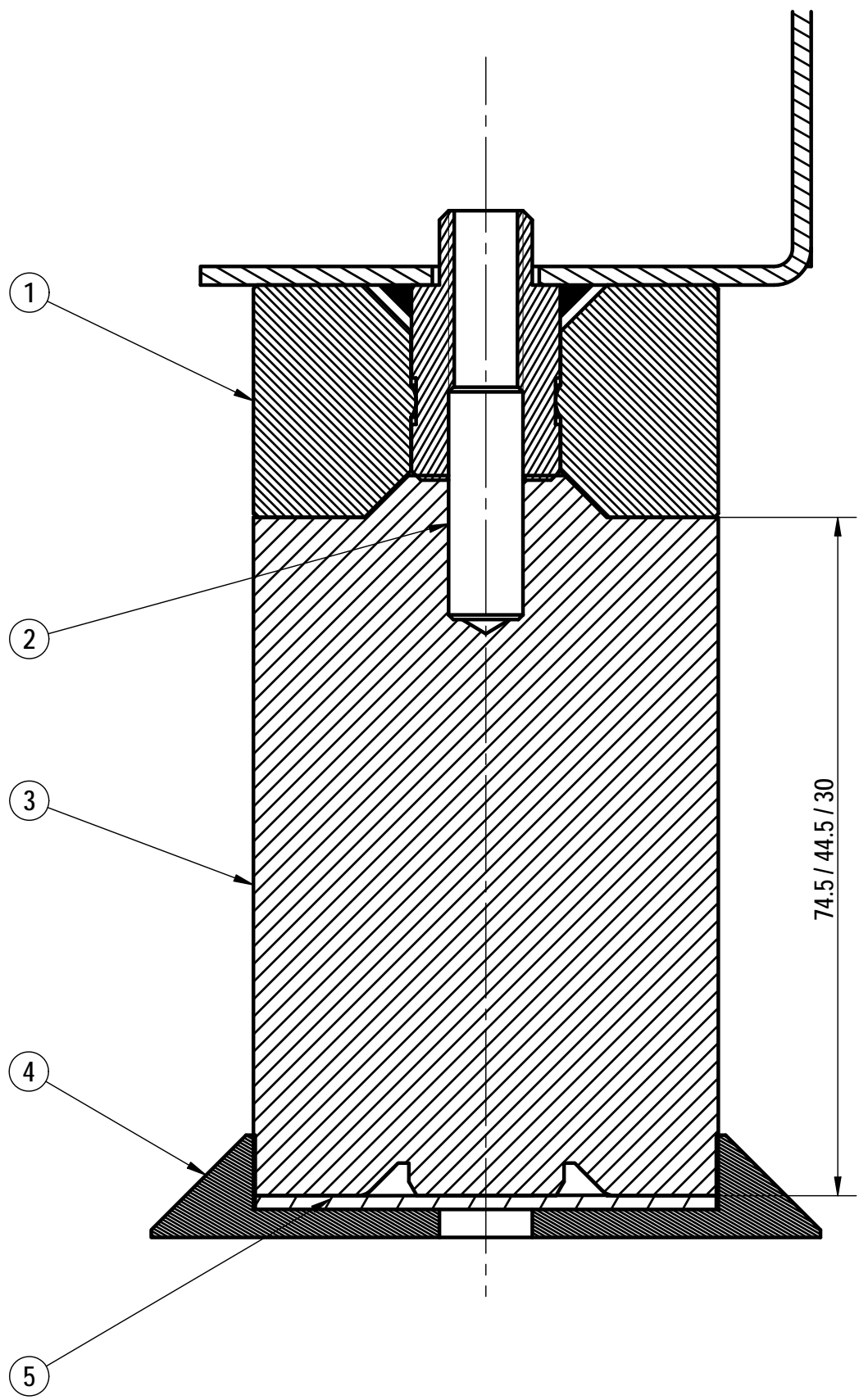
PLANCHE/PLATE : 020

REP	REF	DESIGNATIONS	DESIGNATIONS
1	TG2010	DESSUS 2 TREMIES	2 HOPPERS TOP PLATE
2	TG3013	CHEMISE AR DUO	REAR CASING DUO
3	TG3020	COTE GAUCHE	LEFT SIDE
3	TG3021	COTE DROIT	RIGHT SIDE
4	TG7006	DIFFUSEUR COTE	LIGHT DIFFUSER
5	TG4000	ENJOLIVEUR JOUE DE BASSINE G	LEFT ORNAMENTAL OVERFLOW TRAY
5	TG4002	ENJOLIVEUR JOUE DE BASSINE D	RIGHT ORNAMENTAL OVERFLOW TRAY
6	TG2001	GRILLE DE BASSINE	OVERFLOW TRAY GRID
7	TG3000	COTE CHAUFFE TASSES G	LEFT SIDE CUP WARMER
7	TG3001	COTE CHAUFFE TASSES D	RIGHT SIDE CUP WARMER
8	TG3010	VERRIERE CHAUFFE TASSES AV	FRONT CUP RACK
9	FR3545	CACHE BASE 2 TREMIES TANGO 2 GR	HOPPER DOUBLE SEAT
10	FR1605	ENSEMBLE TREMIE 150	HOPPER 150 FOR COFFEE GRINDER



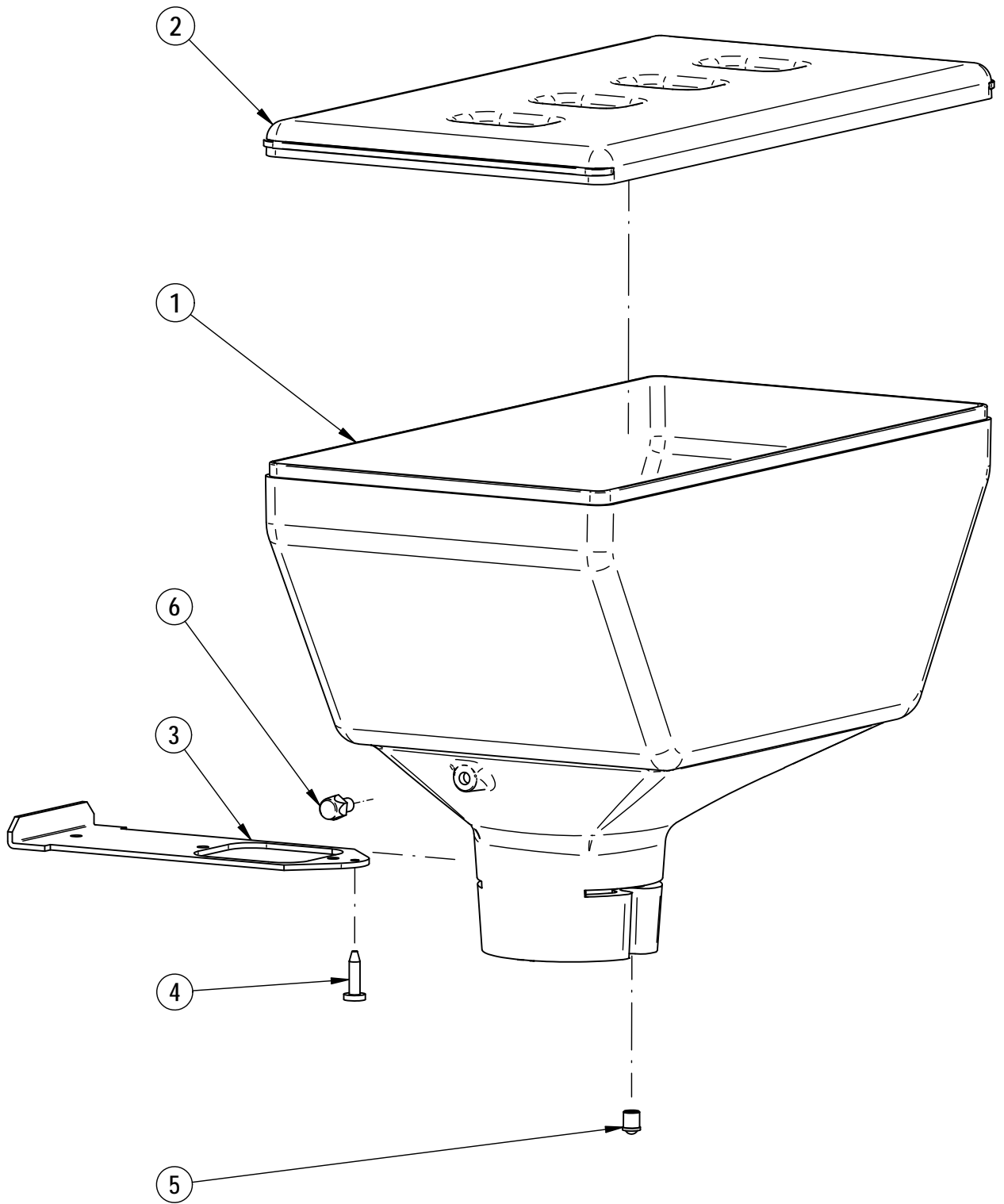
PLANCHE/PLATE : 025

REP	REF		DESIGNATION
1	NM-002	PIED CAOUTCHOUC NOIR	FOOT
2	50402	VIS TCHC TETE BASSE M8X16 INOX	S.STEEL SCREW M8 X 16
3	DV4030	PIED ALU H30	FOOT H30
3	NM-236	PIED ALU D50 H44.5	FOOT H44.5
3	NM-176	PIED ALU POUR MACHINE NSF	FOOT FOR NSF MACHINE
4	NZ7024	PATIN PIED ARRIERE	REAR RUBBER FOOT
5	45939	ADHESIF PIED MACHINE	STICKER FOOT



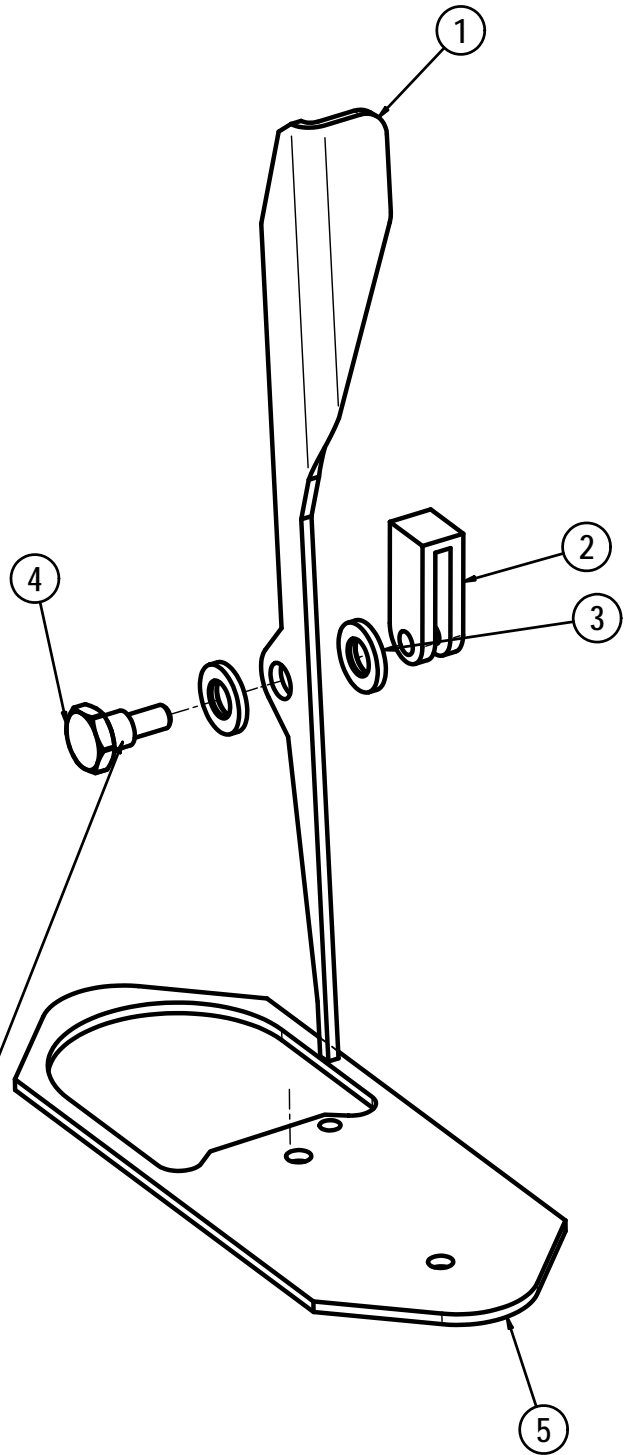
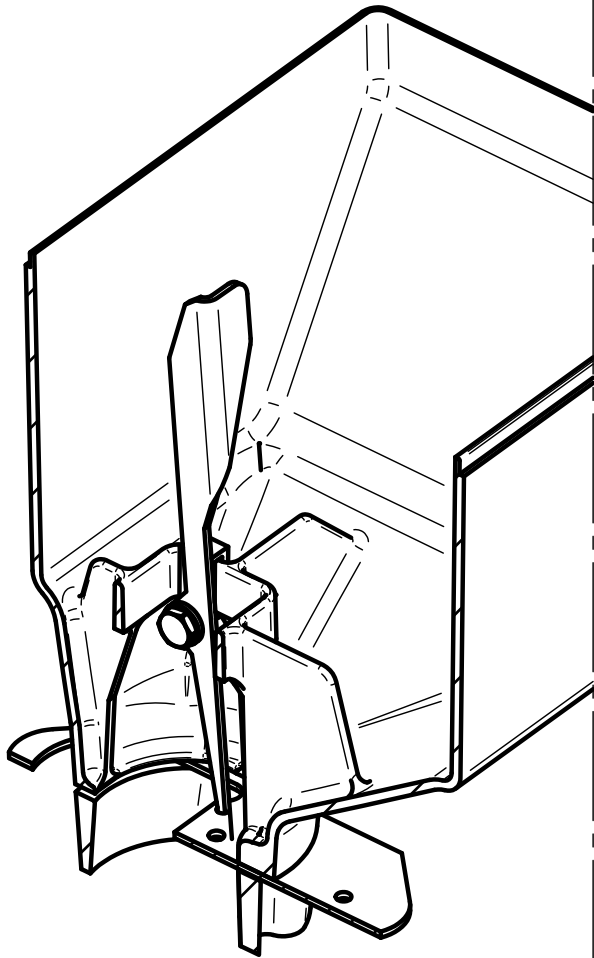
PLANCHE/PLATE : 032

REP	REF		DESIGNATION
1	FR7060	TREMIE 150 X 280	HOPPER 150 X 280
2	FR7062	COUVERCLE DE TREMIE 150 x 280	HOPPER TOP 150 X 280
3	FR2095	FERMETURE POUR TREMIE 150 x280	HOPPER 150 CLOSING PART
4	41412	POINTE	PIN
5	RO-58	POUSSOIR A BILLE	THRUST BALL BEARING
6	FR4197	TETON POUR TREMIE 150	NIPPLE FOR HOPPER 150



PLANCHE/PLATE : 034

REP	REF	DESIGNATION
1	FR2054	LEVIER TRAPPE TREMIE LEVER FOR CLOSING HATCH
2	FR4086	ETRIER LEVIER TRAPPE TREMIE U BOLT FOR LEVER HATCH
3	51852	ENTRETOISE 12X6 EP1.6 SPACER 13X6 EP1.6
4	FR4072	VIS EPAULE M4 SCREW M4
5	FR2077	FERMETURE TREMIE 150X280 CLOSING HATCH FOR HOPPER 150

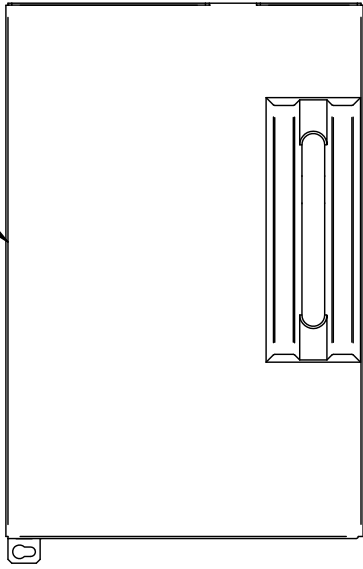


LA VIS DOIT ETRE COLLEE A LA LOCTITE 262
 SCREW MUST BE MOUNTED WITH LOCTITE 262

PLANCHE/PLATE : 100

REP	REF	DESIGNATIONS	DESIGNATIONS
1	FR7021	PLAQUE AVANT	FRONT PART
2	FR2035	BRIDE BEC CAFE	COFFEE SPOUT HOLDER
3	PG-51	VIS TOLE TC Ac Zn 3,9 X 9,5	SHEET SCREW 3,9 x 9,5
4	TG3006	DEVANT DROIT	RIGHT FRONT PANEL
5	CN-661	ECROU RAPID M4 EN CAGE /1_1,6	INSERT NUT M4
6	53800	AIMANT DIAM. 10 X 10	MAGNET 10 X 10
7	MI-6	PASSE FIL	GROMMET
8	TG3032	DEVANT GAUCHE STEMAIR	STEAMAIR LEFT FRONT PANEL
9	TG3005	DEVANT GAUCHE	LEFT FRONT PANEL

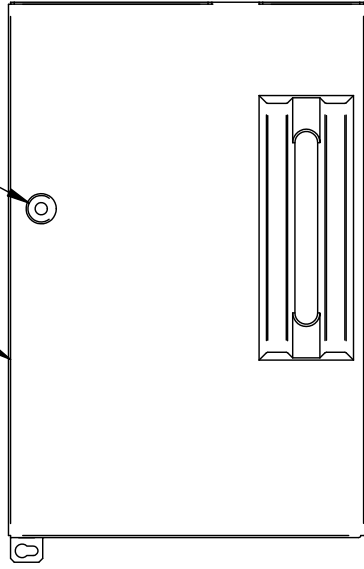
9



TG1017 ENSEMBLE DEVANT GAUCHE
LEFT FRONT PANEL

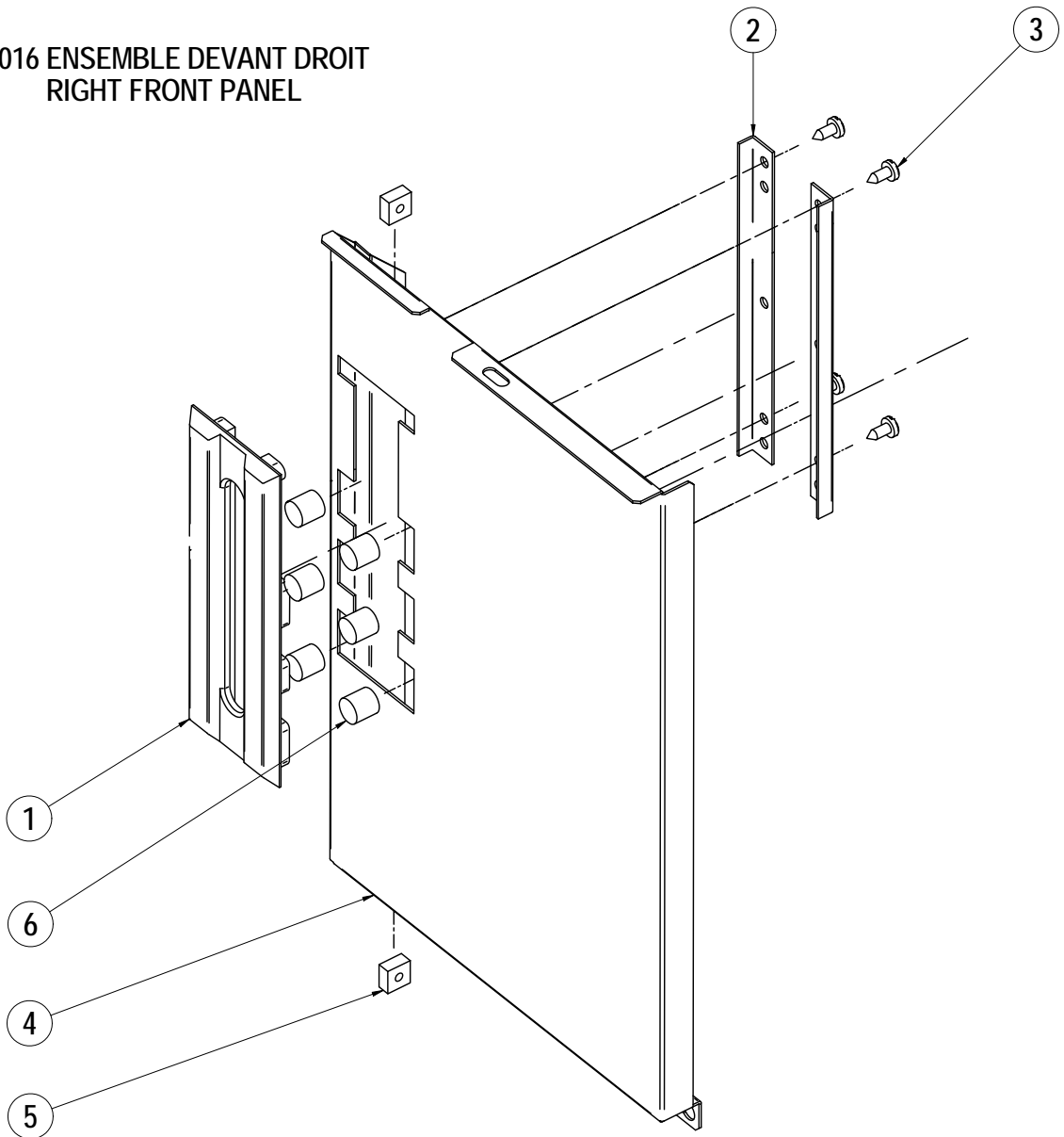
7

8



TG1023 ENSEMBLE DEVANT GAUCHE AVEC STEAMAIR
LEFT FRONT PANEL WITH STEAMAIR

TG1016 ENSEMBLE DEVANT DROIT
RIGHT FRONT PANEL



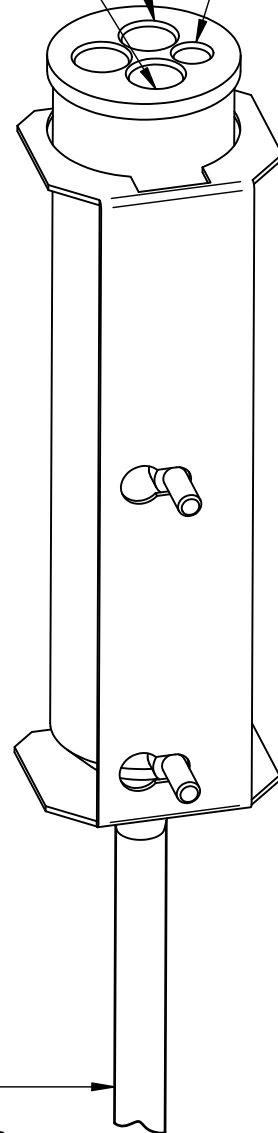
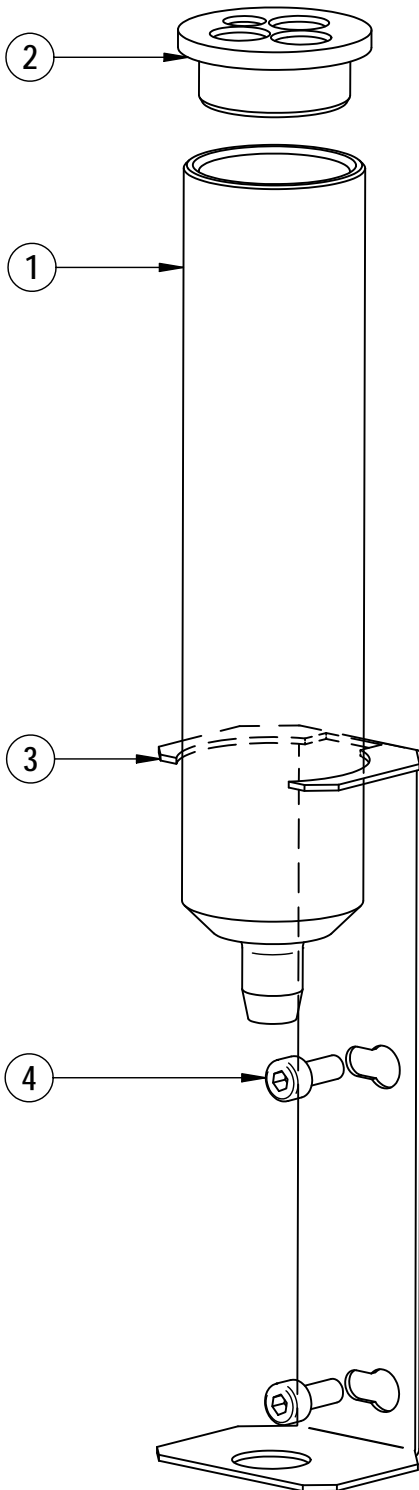
PLANCHE/PLATE : 105

REP	REF		DESIGNATION
1	FR4067	GOULOTTE EVACUATION	DRAIN CHUTE
2	FR4088	BOUCHON DE GOULOTTE 4T	DRAIN CHUTE CAP 4 HOLES
3	TG2018	SUPPORT GOULOTTE	DRAIN CHUTE HOLDER
4	PE-59	VIS TCHC M4x10 INOX	SCREW 4 X 10
5	12704	TUBE SILICONE 7X12	SILICONE PIPE 7X12

DECOMPRESSION EV SORTIE VAPEUR
STEAM OUTLET EV DISCHARGE

DECOMPRESSION SORTIE CAPPUCCINO
CAPPUCCINO OUTLET DISCHARGE

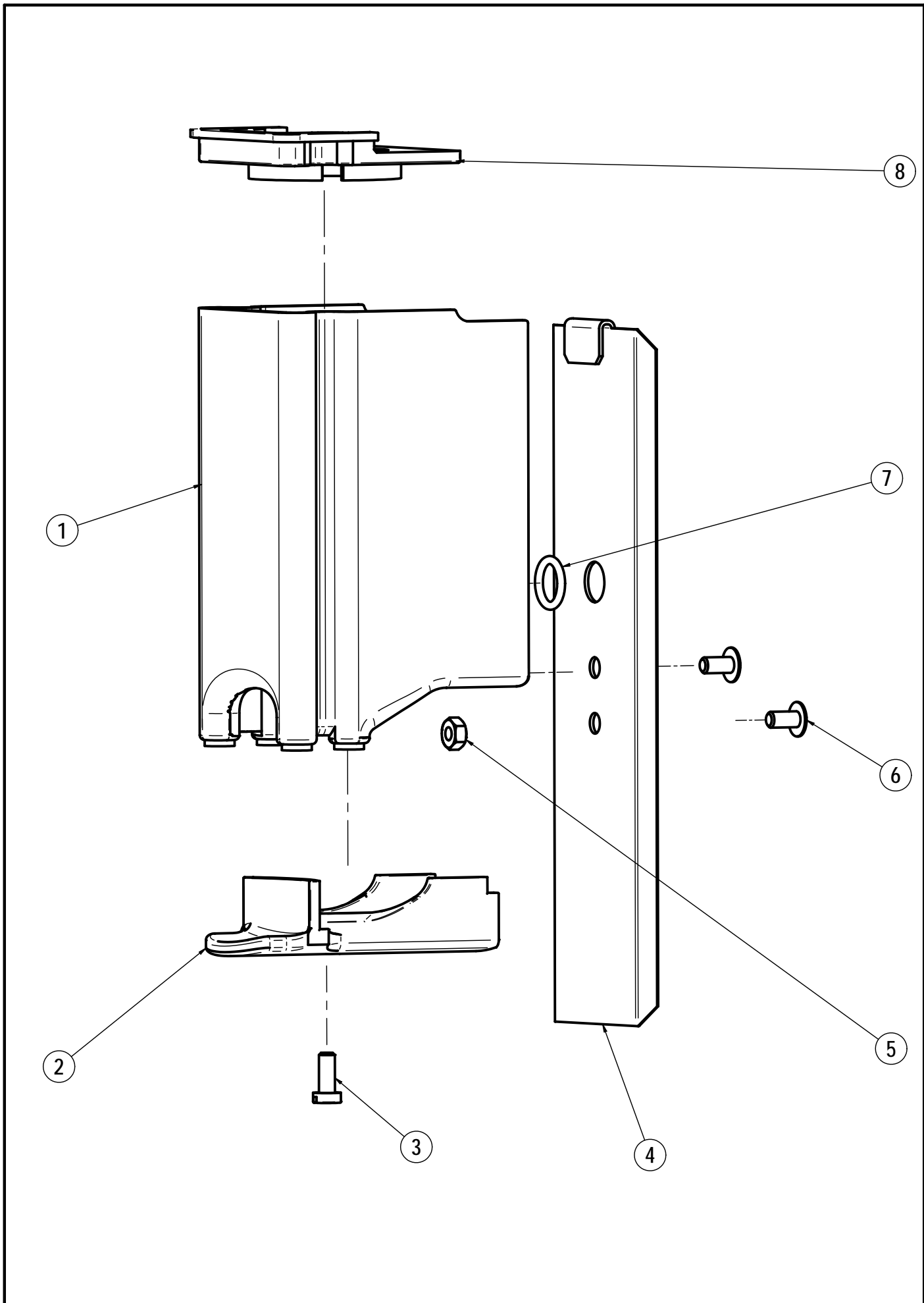
SOUPAPE HP
HP VALVE



5
DUO : L = 320 mm
SOLO / UNO : L = 185 mm

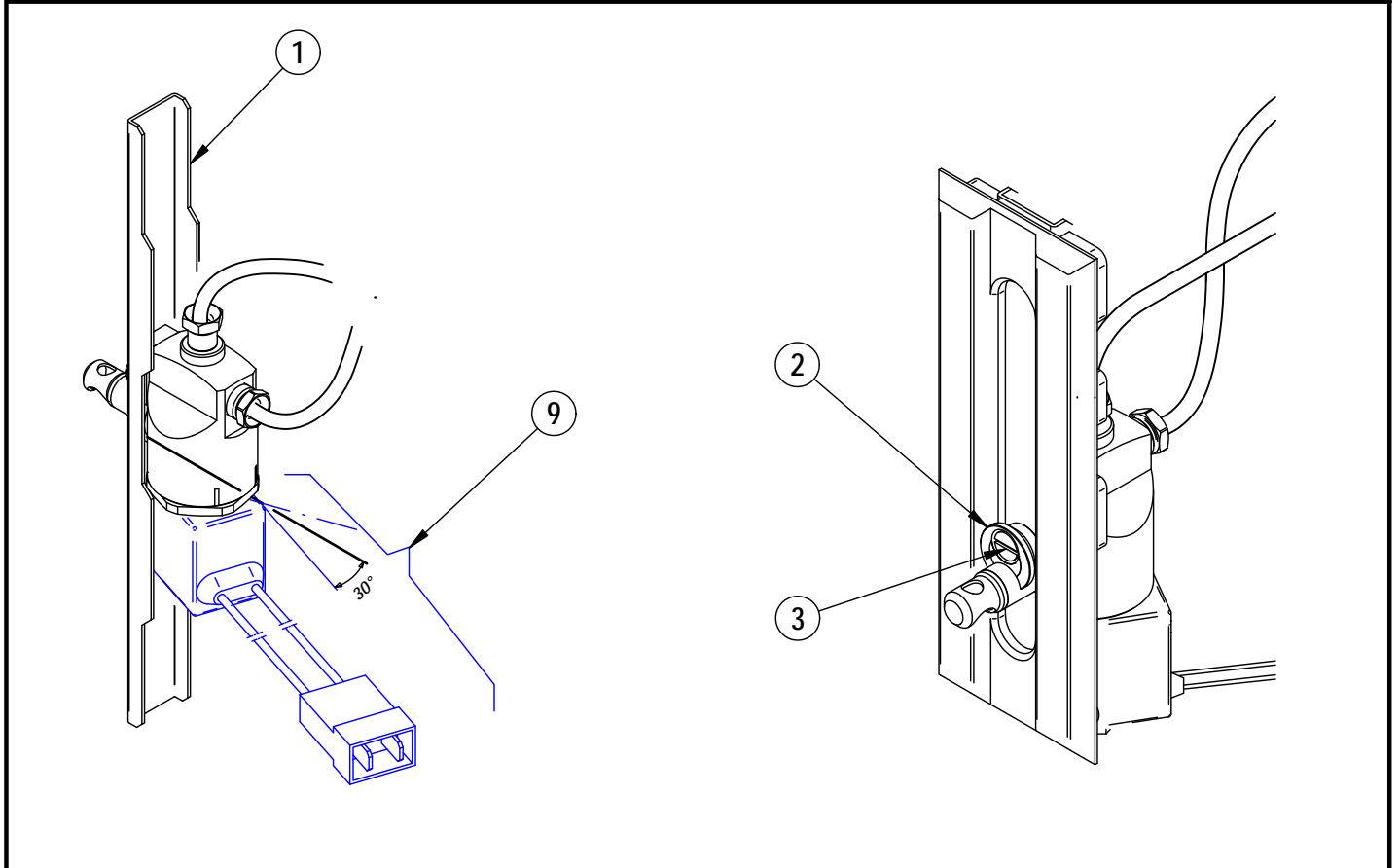
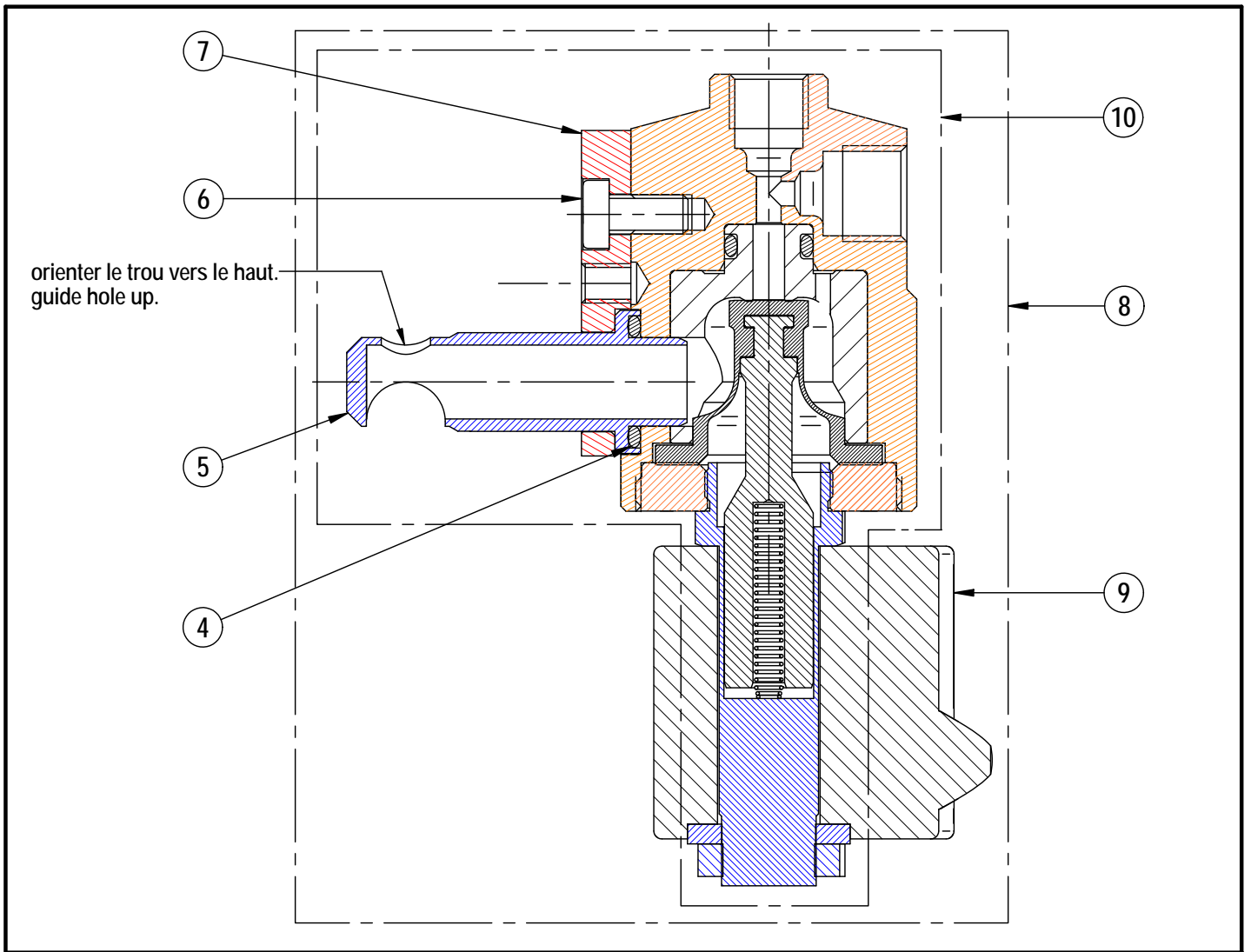
PLANCHE/PLATE : 110

REP	REF	DESIGNATIONS	DESIGNATIONS
1	FR7020	BEC CAFE	COFFEE SPOUT
2	FR7022	LANGUETTE BEC	SPOUT HANDING
3	RO-13	VIS INOX TC 4 x 10	SCREW M4 X 10 -
4	FR2036	TOLE PLAQUE GUIDE	PLATE SHEET
5	PG-14	ECROU M4	NUT M4
6	ID-129	VIS INOX POELIER VM 4 X 8	SCREW 4 X 8
7	28104	JOINT TORIQUE 2X9,5 FKM 80SH	GASKET 2X9,5
8	FR7023	ANTI VAPEUR	ANTI STEAM



PLANCHE/PLATE : 111

REP	REF	DESIGNATIONS	DESIGNATIONS
1	FR2097	TOLE EN U	U SHEET
2	FR4206	COULISSE	RUNNER
3	CN-23	VIS INOX TF 4 x 12	SCREW M4X12 CSH
4	CN-436	JOINT TORIQUE 1,78X8,73 EPDM	GASKET 8,73 X 1,78
5	FR4204	CONDUIT	CONDUIT
6	V-17	VIS INOX TC 4 x 8	SCREW M4 X 8
7	FR4205	ENTRETOISE DE FIXATION	FIXING SPACER
8	35540	ELECTROVANNE DE BEC	SPOUT ELECTROVALVE
9	35541	BOBINE 5W AVEC FILS SURMOULES	COILE 5W WITH COMPOUND-FILLED WIRES
10	35542	ELECTROVANNE DE BEC SANS BOBINE	SPOUT ELECTROVALVE WITHOUT COIL

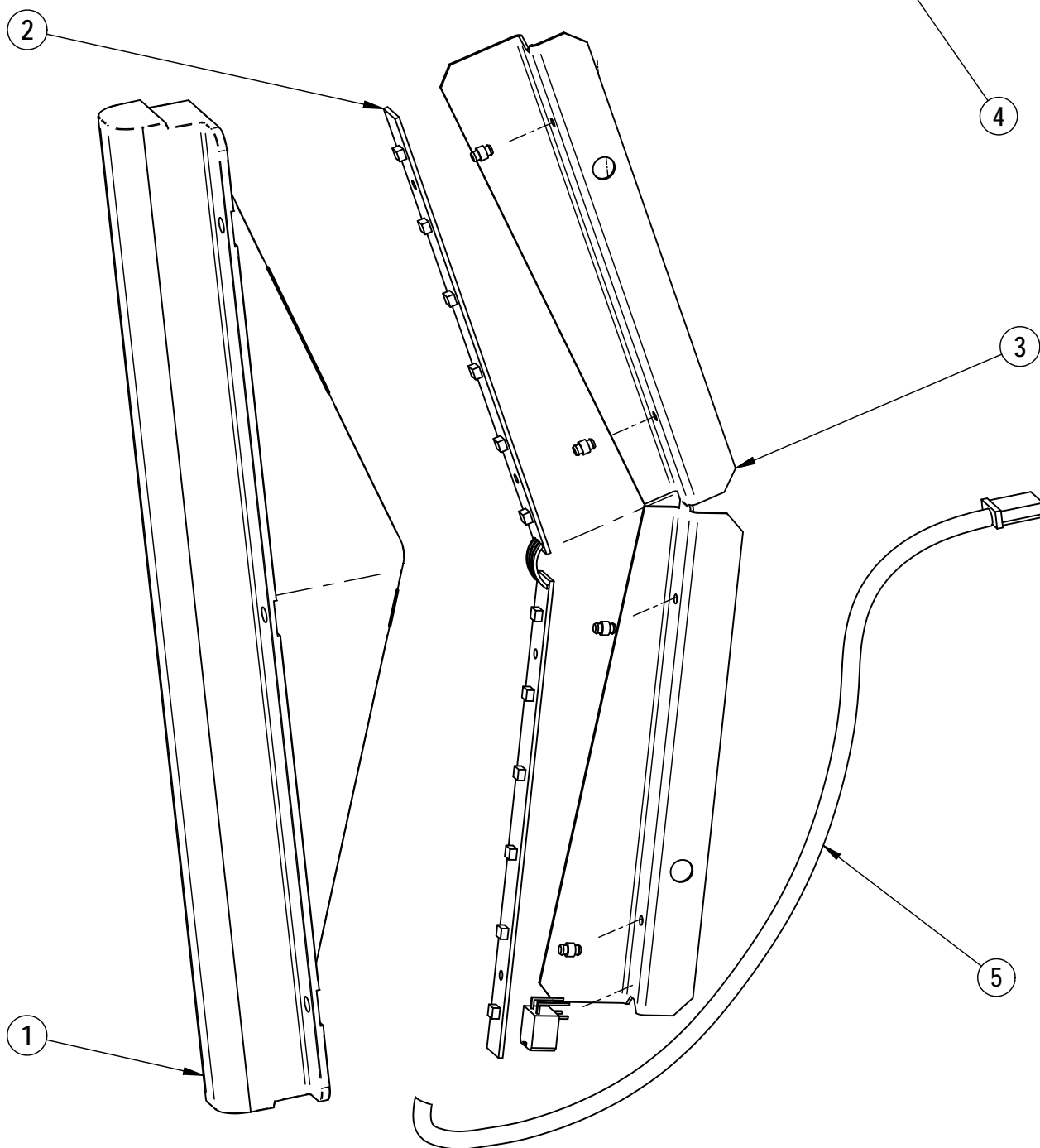
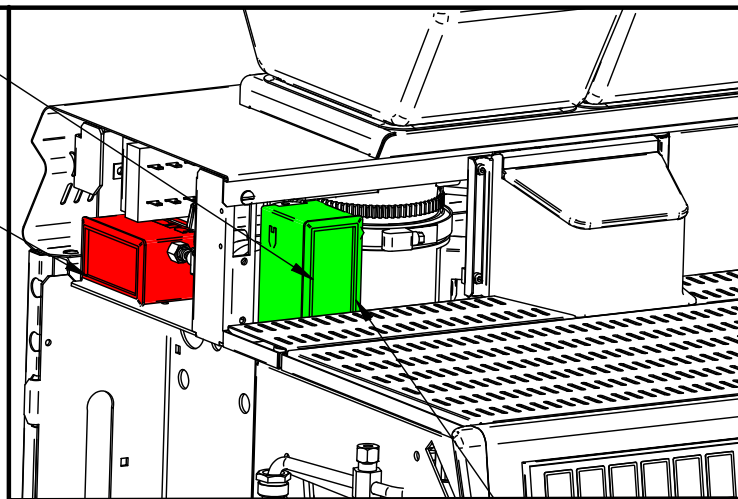


PLANCHE/PLATE : 120

REP	REF	DESIGNATIONS	DESIGNATIONS
1	TG7006	DIFFUSEUR COTE	LIGHT DIFFUSER
2	TG8000	LED RGB DROITE	LED RGB RIGHT
2	TG8001	LED RGB GAUCHE	LED RGB LEFT
3	TG2009	SUPPORT LED	LED HOLDER
4	45038	BOITIER DE CONTRÔLE LED RGB	ELECTONIC BOX FOR LED RGB
5	TG8002	CABLE ALIM 24V LED RGB	24V LED RGB SUPPLY CABLE

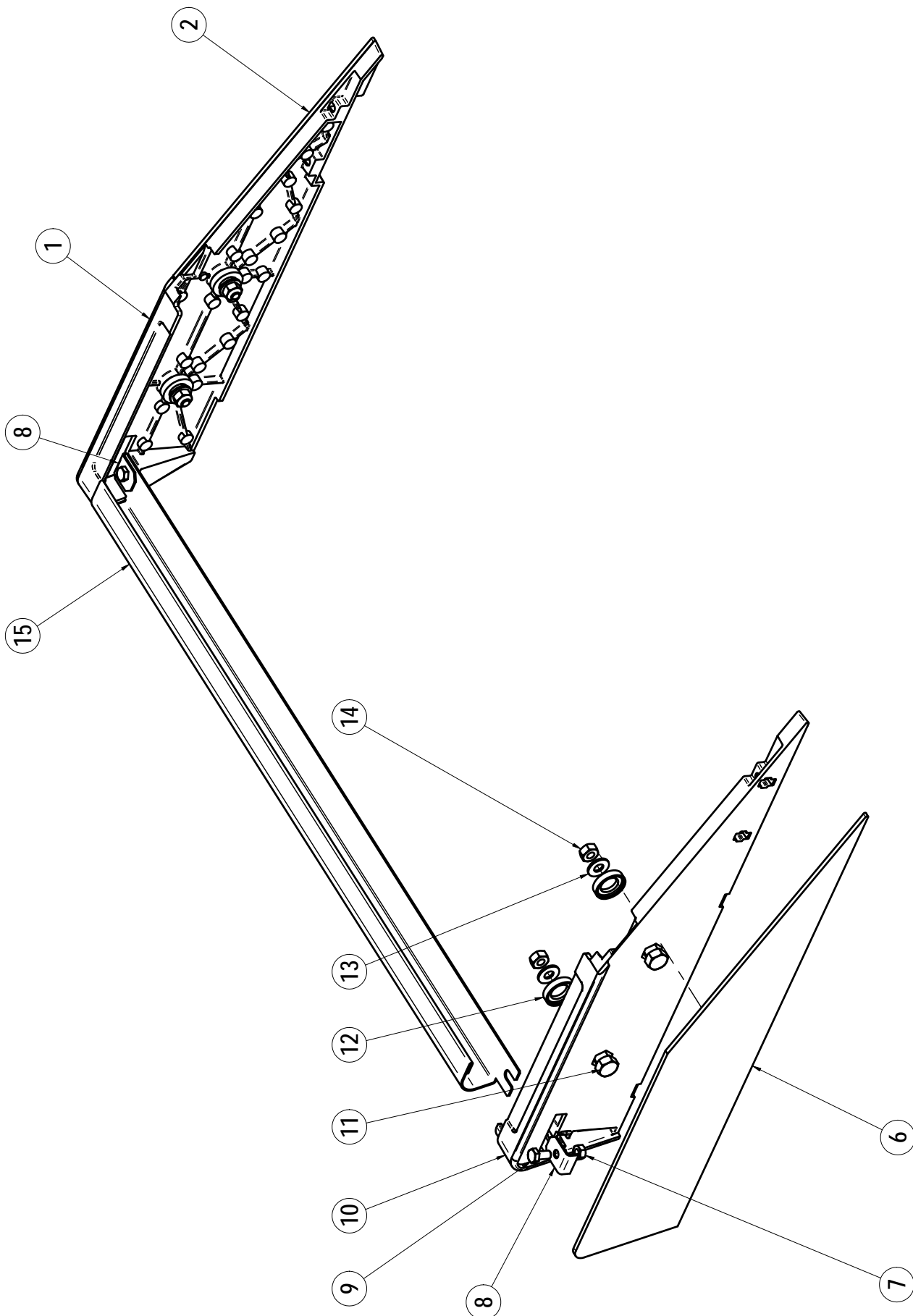
45038 BOITIER DE CONTROLE LED RGB
ELECTRONIC BOX FOR LED RGB

45042 BOITIER STEAMAIR
STEAMAIR BOX



PLANCHE/PLATE : 140

REP	REF	DESIGNATIONS	DESIGNATIONS
1	TG7000	JOUE DE BASSINE GAUCHE	LEFT ORNAMENTAL HOLDER
2	TG4000	ENJOLIVEUR JOUE DE BASSINE G	LEFT ORNAMENTAL OVERFLOW TRAY
6	TG4002	ENJOLIVEUR JOUE DE BASSINE D	RIGHT ORNAMENTAL OVERFLOW TRAY
7	51100	ECROU M5 INOX	NUT M5
8	TG2004	RONDELLE TOLE	SHEET METAL WASHER
9	50204	VIS TH M5 x 10 INOX	SCREW M5 X 10
10	TG7002	JOUE DE BASSINE DROITE	RIGHT ORNAMENTAL HOLDER
11	TG4005	AXE JOUE DE BASSINE	AXLE
12	TG4006	BAGUE EPAULEE	PLASTIC RING
13	PH-32	RONDELLE ACIER Zn 6,25x14x1,2	WASHER
14	AE-13A	ECROU INOX Hu 6-100	NUT M6
15	TG2002	DEVANT DE BASSINE	FRONT OVERFLOW TRAY



03/16

CHARIOT DE BASSINE DUO
DUO OVERFLOW TRAY TROLLEY

TG1005

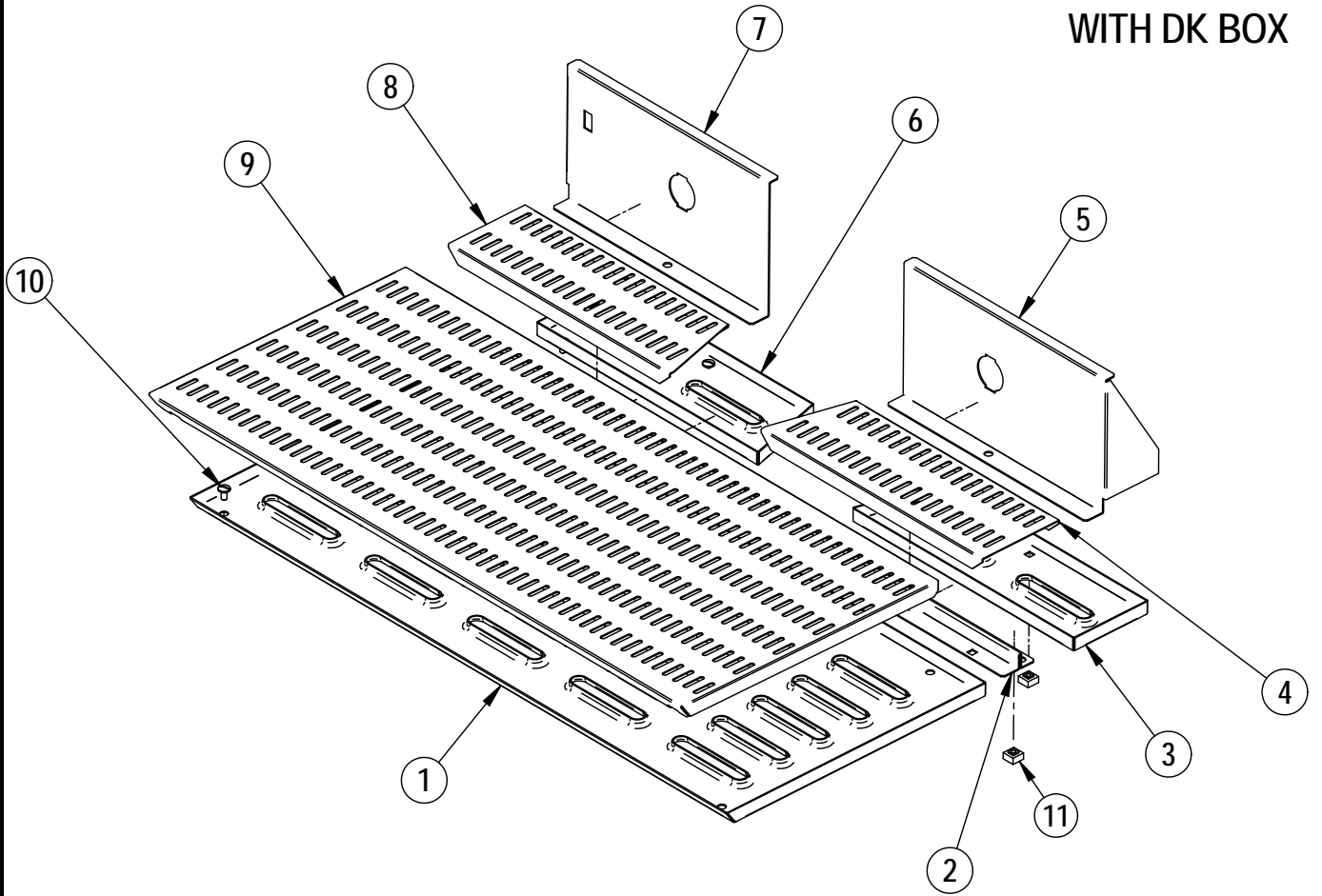
UNIC

140

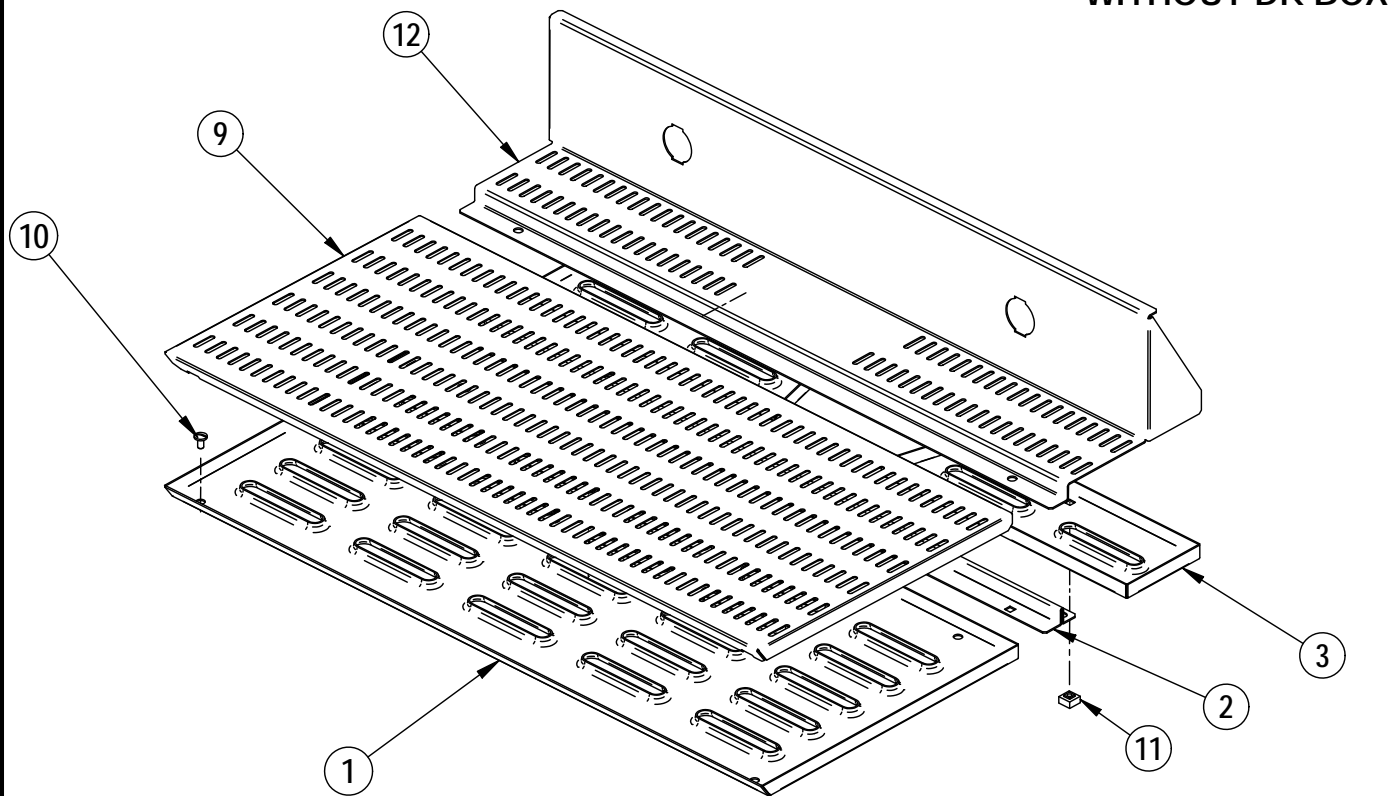
PLANCHE/PLATE : 150

REP	REF	DESIGNATIONS	DESIGNATIONS
1	TG3002	CHAUFFE TASSES AV DUO	DUO FRONT CUP WARMER
2	FR3270	TRAVERSE CHAUFFE TASSES	CUP WARMER CROSS PIECE
3	TG3003	CHAUFFE TASSES AR DROIT	RIGHT BACK CUP WARMER
4	TG3012	VERRIERE AR DROITE	RIGHT BACK CUP RACK
5	TG3008	PAROI LATERALE DROITE	RIGHT WALL
6	TG3004	CHAUFFE TASSES AR GAUCHE	LEFT BACK CUP WARMER
7	TG3007	PAROI LATERALE GAUCHE	LEFT WALL
8	TG3011	VERRIERE AR GAUCHE	LEFT BACK CUP RACK
9	TG3010	VERRIERE CHAUFFE TASSES AV	FRONT CUP RACK
10	CN-694	VIS POELIER M 4 X 12 INOX	SCREW M4 X 12
11	CN-661	ECROU RAPID M4 EN CAGE /1_1,6	INSERT NUT M4
12	TG3034	PAROI CHAUFFE TASSES DUO	CUP WARMER SHEET

AVEC BOITE DK
WITH DK BOX

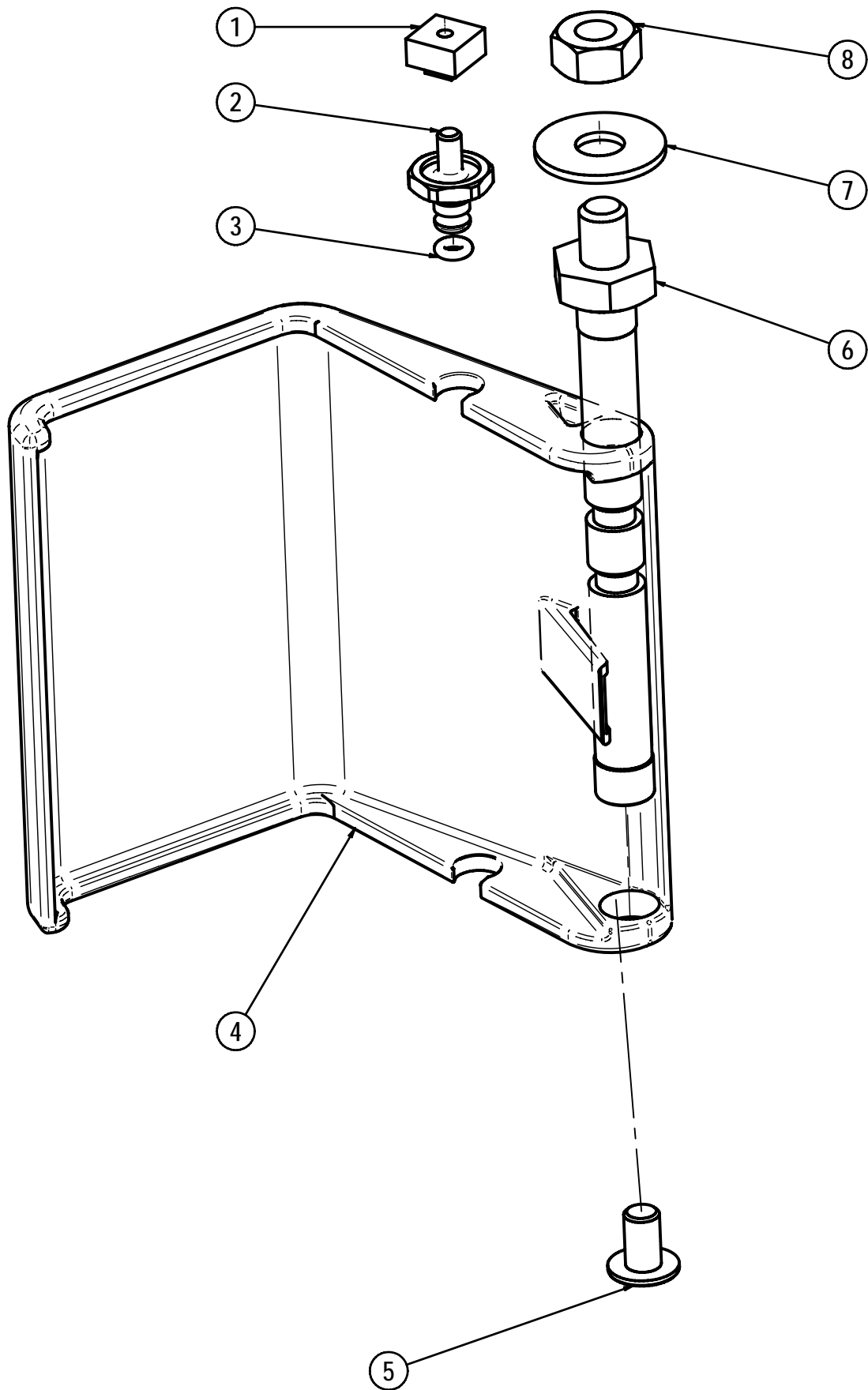


SANS BOITE DK
WITHOUT DK BOX



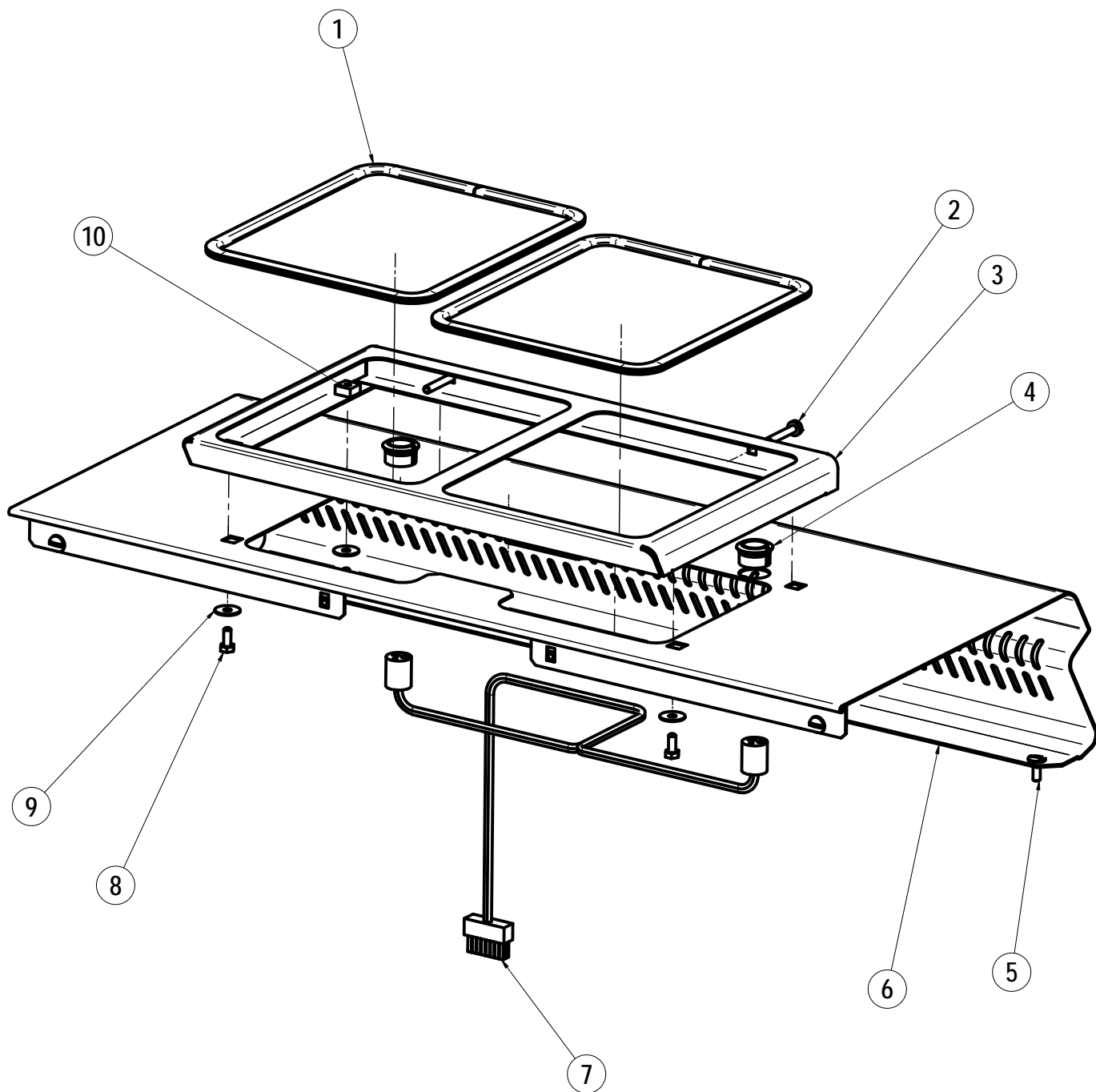
PLANCHE/PLATE : 160

REP	REF	DESIGNATIONS	DESIGNATIONS
1	52514	ECROU RAPIDE M4 EP:2	NUT M4
2	FR4051	BUTEE PORTILLON	SCREW DOOR
3	M-27	JOINT TORIQUE 1.90X3.40 EPDM	GASKET 1.90 X 3.40
4	FR7025	PORTILLON	DOOR
5	D-60	VIS POELIER M6x10 INOX	SCREW 6X10
6	FR4050	AXE DE PORTILLON	AXLE
7	CF-199	RONDELLE ACIER ZN 8x22x1,5	STEEL WASHER 8x22x1,5
8	E-11	ECROU ACIER Hu de 8	NUT M8



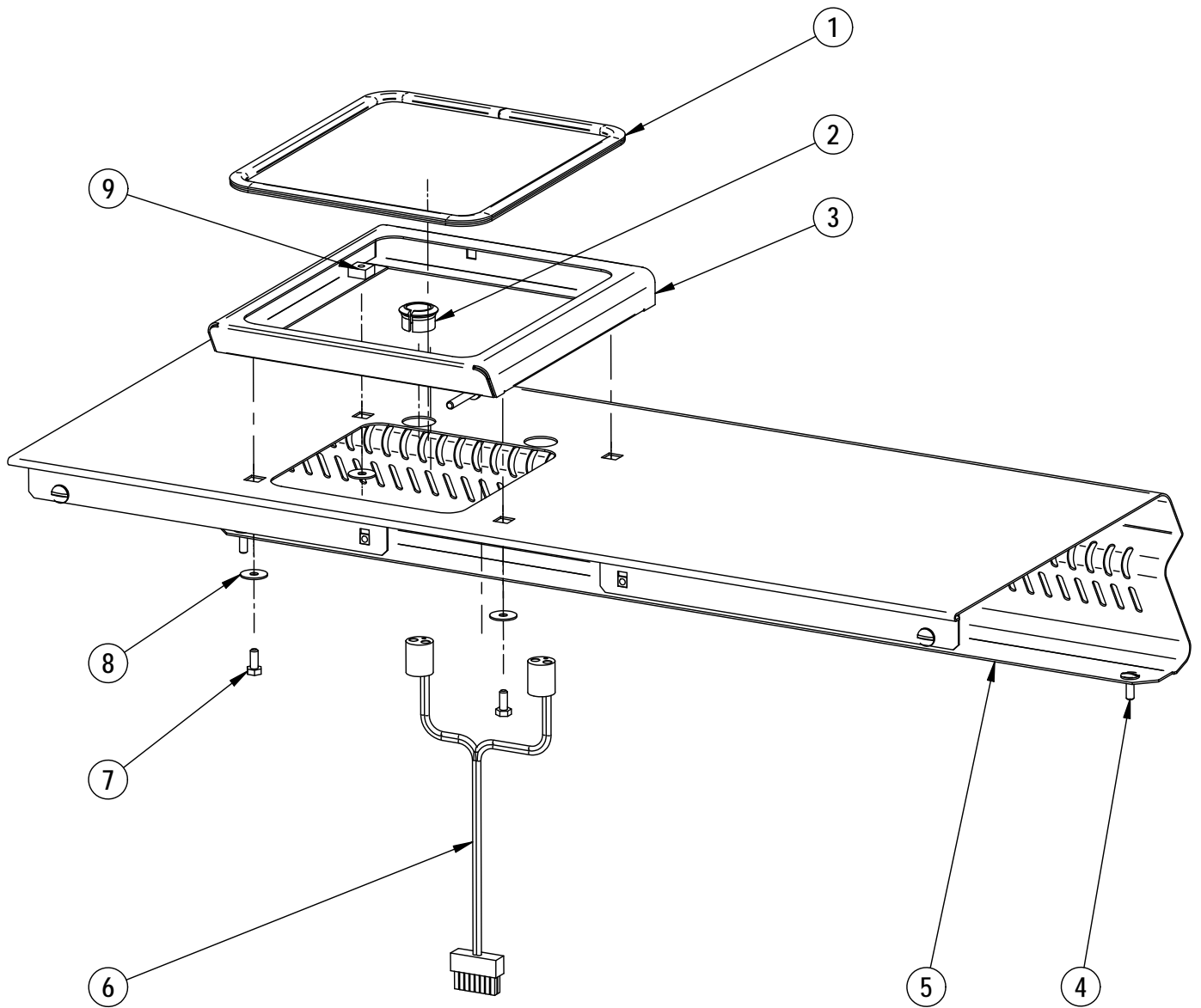
PLANCHE/PLATE : 170

REP	REF	DESIGNATIONS	DESIGNATIONS
1	28550	PROFILE CAOUTCHOUC U	GASKET
2	50100	VIS TC M4 X 25	SCREW M4 X 25
3	FR3545	CACHE BASE 2 TREMIES TANGO 2 GR	HOPPER DOUBLE SEAT
4	FR4190	SUPPORT CELLULE TREMIE	SENSOR HOLDER
5	CN-694	VIS POELIER M 4 X 12 INOX	SCREW M4 X 12
6	TG2010	DESSUS 2 TREMIES	2 HOPPERS TOP PLATE
7	FR8029	CELLULES OPTIQUES AVEC CONNECTEUR	PHOTO CELL SENSORS
8	DV-44	VIS TH M4X10 ACIER	SCREW M4x10
9	PG-16	RONDELLE ACIER Zn 4,25x14x0,8	WASHER
10	CN-661	ECROU RAPID M4 EN CAGE /1_1,6	INSERT NUT M4



PLANCHE/PLATE : 173

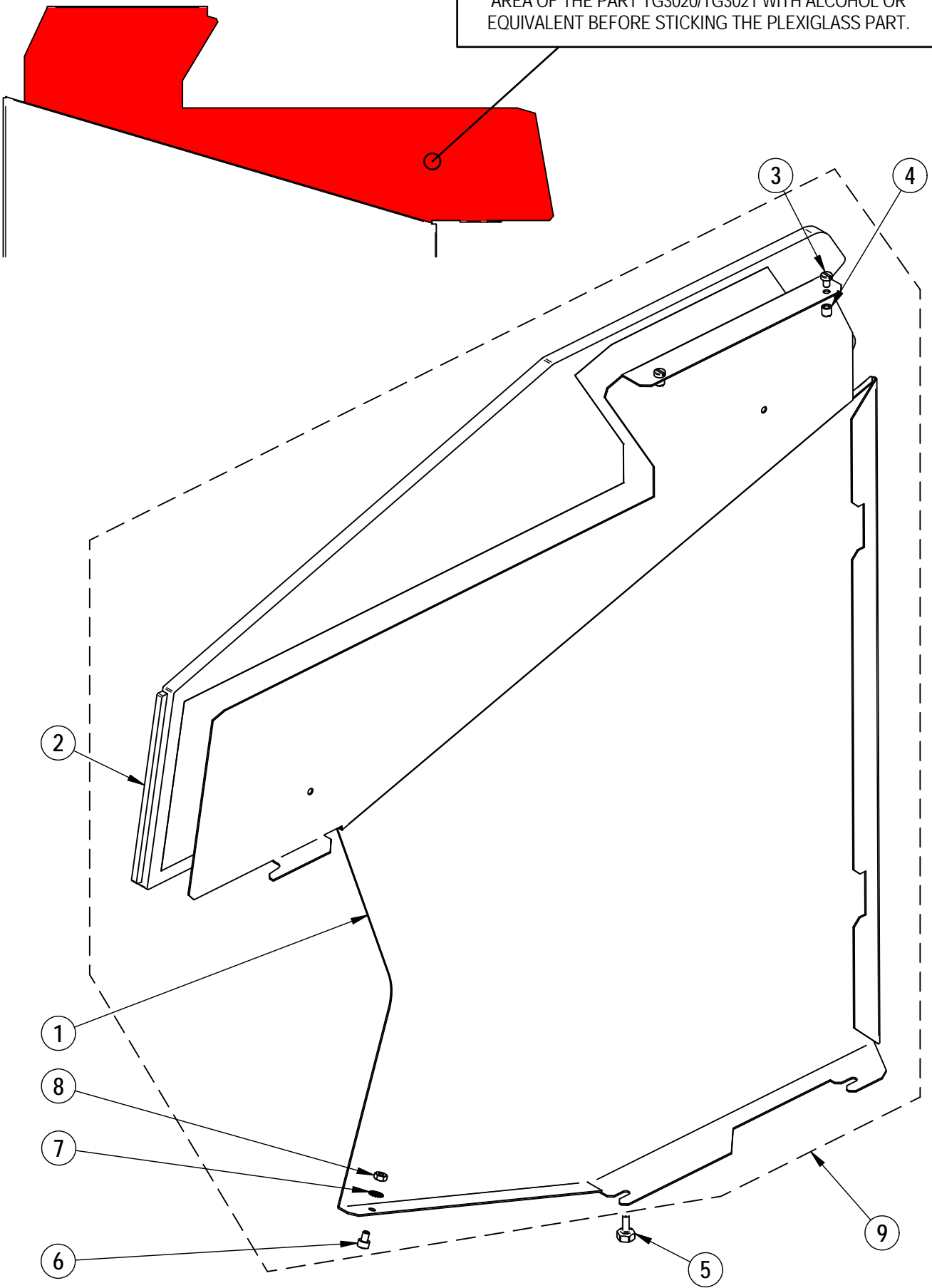
REP	REF	DESIGNATIONS	DESIGNATIONS
1	28550	PROFILE CAOUTCHOUC U	GASKET
2	FR4190	SUPPORT CELLULE TREMIE	SENSOR HOLDER
3	FR2116	CACHE BASE TREMIE 1 TREMIE	HOPPER SINGLE SEAT
4	CN-694	VIS POELIER M 4 X 12 INOX	SCREW M4 X 12
5	TG2041	DESSUS 1 TREMIE	1 HOPPER TOP PLATE
6	FR8029	CELLULES OPTIQUES AVEC CONNECTEUR	PHOTO CELL SENSORS
7	DV-44	VIS TH M4X10 ACIER	SCREW M4x10
8	PG-16	RONDELLE ACIER Zn 4,25x14x0,8	WASHER
9	CN-661	ECROU RAPID M4 EN CAGE /1_1,6	INSERT NUT M4



PLANCHE/PLATE : 180

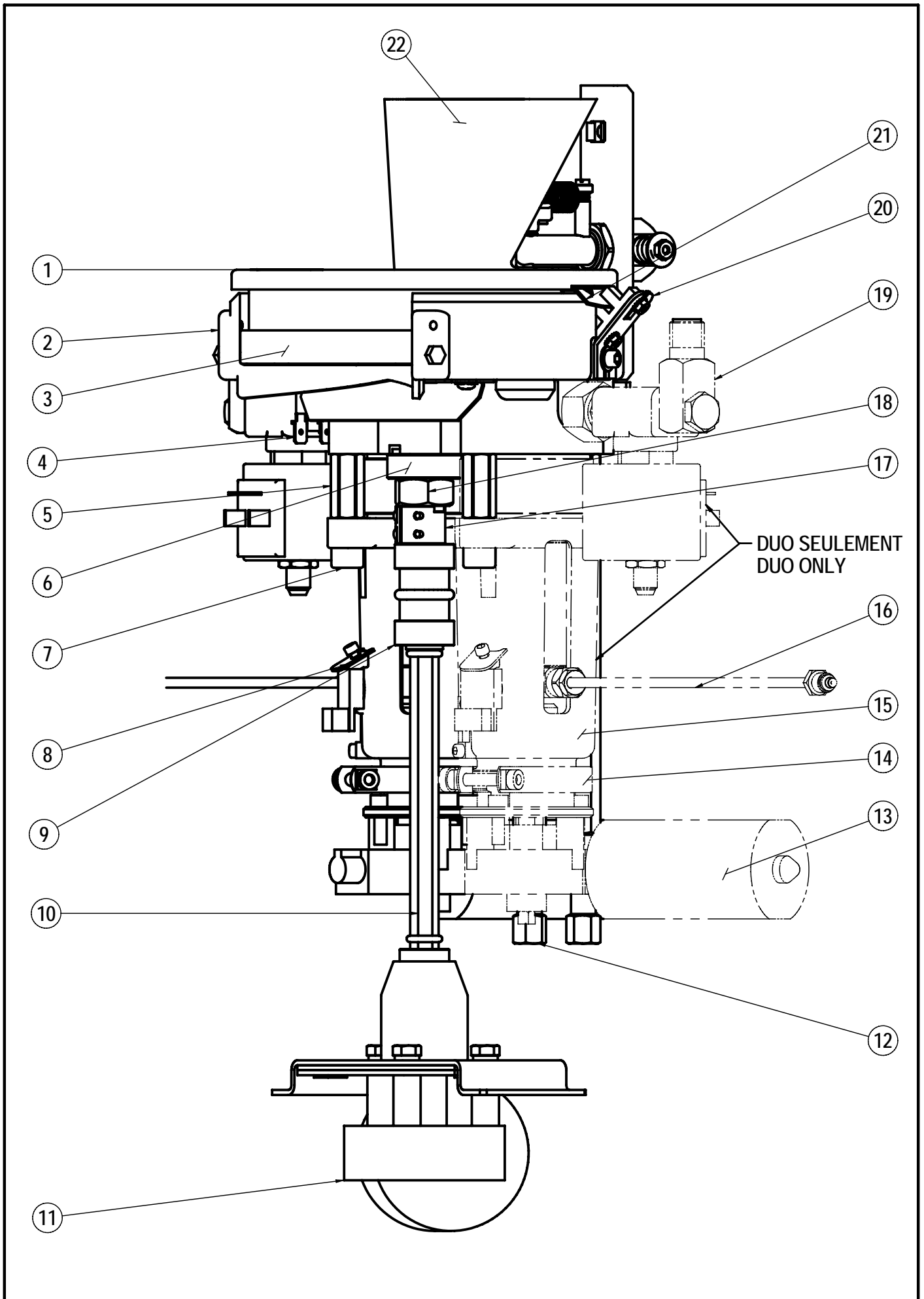
REP	REF	DESIGNATIONS	DESIGNATIONS
1	TG3020	COTE GAUCHE	LEFT SIDE
1	TG3021	COTE DROIT	RIGHT SIDE
2	TG3000	COTE CHAUFFE TASSES G	LEFT SIDE CUP WARMER
2	TG3001	COTE CHAUFFE TASSES D	RIGHT SIDE CUP WARMER
3	CN-325	VIS INOX TC 4 x 6	SCREW M4 X 6
4	TG4008	TETON M4X5	NUT M4X5
5	TG4010	VIS M4 TETE 10	SCREW M4
6	PE-59	VIS TCHC M4x10 INOX	SCREW 4 X 10
7	CN-343	RONDELLE EVENTAIL 4	WASHER 4
8	PG-14	ECROU M4	NUT M4
9	TG1000	COTE GAUCHE TANGO S MONTE	COMPLET LEFT SIDE TANGO S
9	TG1001	COTE DROIT TANGO S MONTE	COMPLET RIGHT SIDE TANGO S

NOTA: PENSER A DEGRAISSER CETTE SURFACE DE LA PIECE TG3020/TG3021 AVEC DE L'ALCOOL À BRÛLER OU EQUIVALENT, AVANT LE COLLAGE DE LA PIECE PLEXI / THINK DEGREASING AREA OF THE PART TG3020/TG3021 WITH ALCOHOL OR EQUIVALENT BEFORE STICKING THE PLEXIGLASS PART.



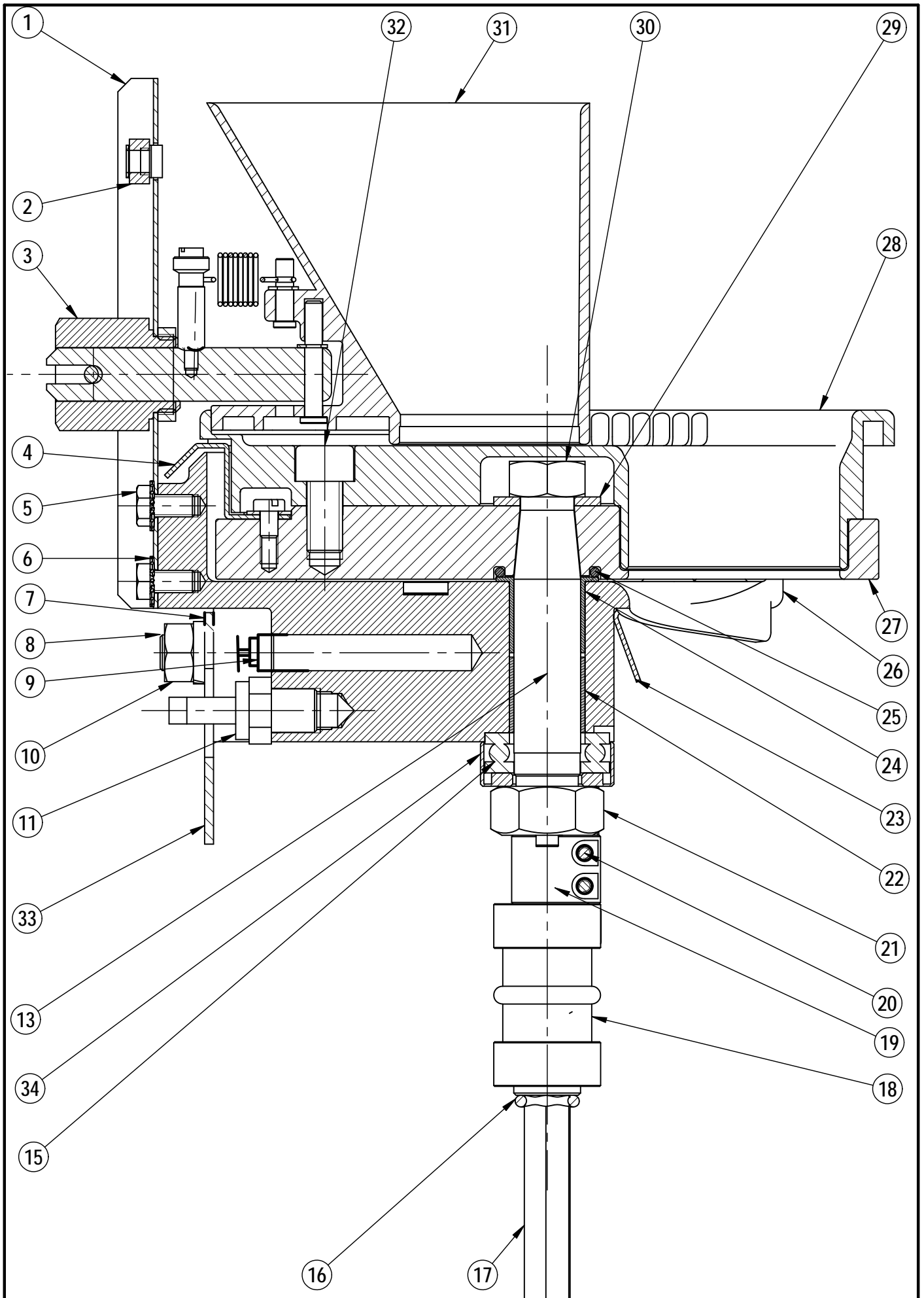
PLANCHE/PLATE : 200

REP	REF	DESIGNATIONS	DESIGNATIONS
1	FR7000	PLATEAU PLASTIQUE	PLASTIC TURNTABLE
2	FR4000	CORPS LAITON	UNIT BODY
2	FR4000NI	CORPS LAITON NSF	UNIT BODY NSF
3	FR4002	PLATEAU INOX	STAINLESS STEEL TURNTABLE
4	34210	SECURITE THERMIQUE temperature 115°C	SAFETY THERMOSTAT 115°C
5	FR4029	ENTRETOISE M8	SCREW M8
6	FR4019	PROTECTION BUTEE A BILLE	BEARING COVER
7	CN-51	VIS INOX TCHC 8 x 20	SCREW M8 X 20
8	FR2028	TOLE BRIDE	SENSOR HOLDER
9	FR7003	DOUILLE ACCOUPLEMENT RENFORCEE	REINFORCING GANGING COUPLING
10	FR4004	AXE DE TRANSMISSION AVANT 04/02	AXLE BEFORE 04/02
10	FR4015	AXE DE TRANSMISSION APRES 04/02	AXLE AFTER 04/2002
11	37300	KIT MOTEUR PLATEAU	TURNTABLE MOTOR KIT
12	FR4030	VIS TH M8 X 20 L 180	SCREW M8 X 20 L:180
13	37305	MOTOREDUCTEUR 24V 500tr/mn	MOTOREDUCER 24V 500 rpm
14	CN-825	COLLIER ACCOUPLM.MOTEUR POMPE	COLLAR OF PUMP MOTOR GANGING
15	FR4020	SUPPORT MOTEUR	MOTOR HOLDER
16	FR6520	TUBE CAFE lg 238 mm	COFFEE PIPE length 238 mm
16	FR6520NI	TUBE CAFE lg 238 mm NSF	COFFEE PIPE length 238 mm NSF
17	FR4013	BAGUE DE BLOCAGE	BLOCKING RING
18	FR4012	ECROU A TETONS	BREAST NUT
19	23772	CORPS DE BANJO GROUPE 1/4	BANJO BODY 1/4 FOR UNIT
19	23772NI	CORPS DE BANJO GROUPE 1/4 NSF	BANJO BODY 1/4 FOR UNIT NSF
20	FR2033	TOLE SUPPORT CAPTEUR PLATEAU	SENSOR HOLDER
21	FR2082	TOLE POSITION PLATEAU LARGE	WIDE TURNABLE TOP PLATE
22	FR7011	ENTONNOIR	FUNNEL



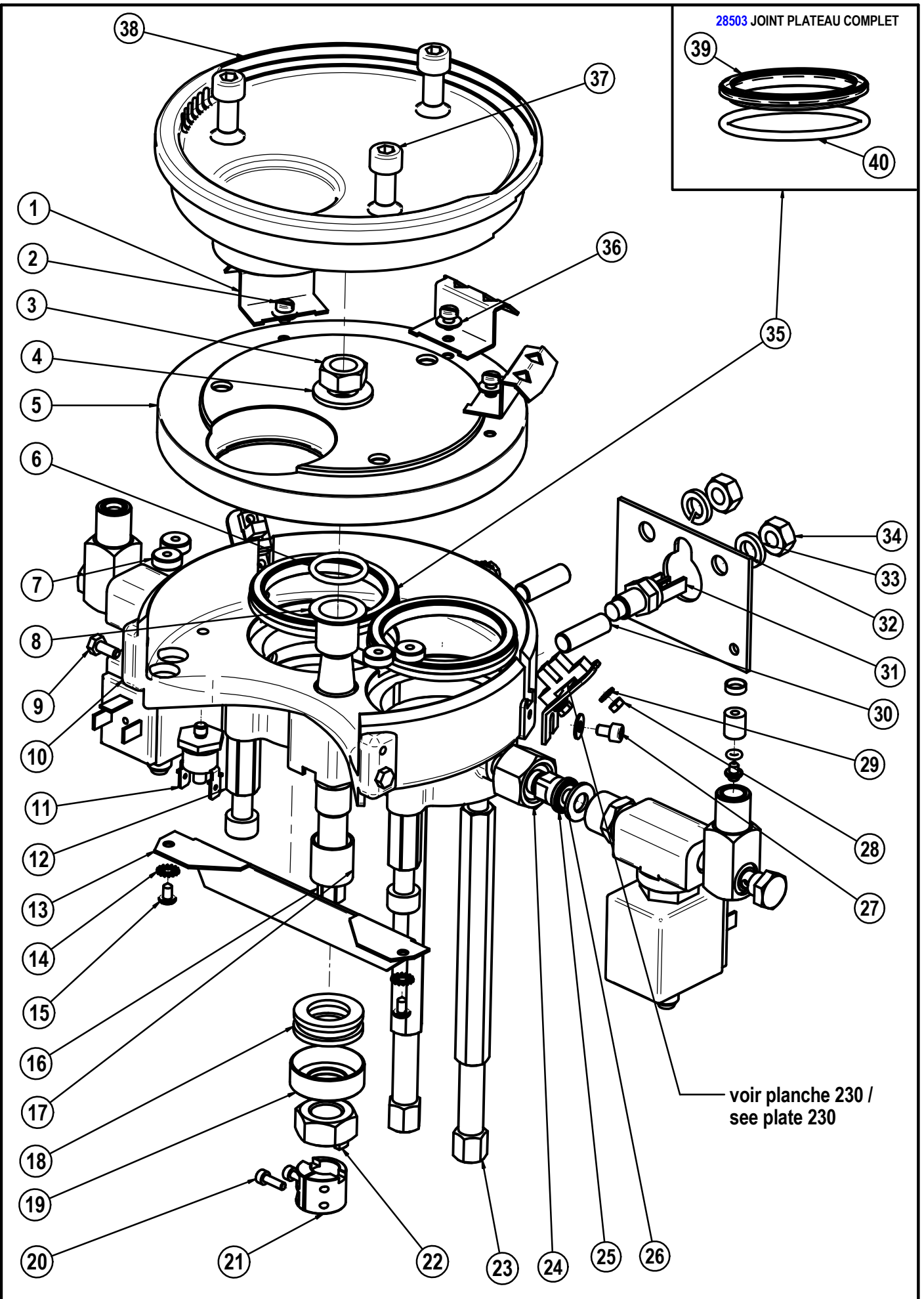
PLANCHE/PLATE : 210

REP	REF	DESIGNATIONS	DESIGNATIONS
1	FR2025	TOLE SUPPORT ENTONNOIR	FUNNEL HOLDER
2	52506	ECROU CAGE M6 X ep 1	INSERT NUT M6
3	FR4043	CORPS SUPPORT ENTONNOIR	FUNNEL HOLDER BODY
4	FR2082	TOLE POSITION PLATEAU LARGE	WIDE TURNABLE TOP PLATE
5	CN-524	VIS INOX TH 5 x 10	SCREW M5 X 10
6	CN-344	RONDELLE EVENTAIL DE 5	LOCK WASHER 5
7	RR-83	RONDELLE GROVER DE 8	WASHER 8
8	CF-335A	VIS INOX STHC 8 X 25	SCREW M8x25 STAINLESS STEEL
9	29831	CARTOUCHE CHAUFFANTE 200W-230V	HEATING ELEMENT 200W-230V
10	PE-12	ECROU M8	NUT M8
11	34410	SONDE THERMOSTATIQUE	THERMOSTATIC PROBE
12	FR2021	TOLE ENTRETOISE 2 mm	PLATE
13	FR4011	AXE PLATEAU	TURNABLE AXLE
14	FR4019	PROTECTION BUTEE A BILLE	BEARING COVER
15	53117	BUTEE A BILLE 51102 d28xd15x9	THRUST BALL BEARING 28X15X16
16	PH-78	JOINT TORIQUE 2,62X9,13 EPDM	O RING - 9,13 X 2,62
17	FR4015	AXE DE TRANSMISSION APRES 04/02	AXLE AFTER 04/2002
18	FR7003	DOUILLE ACCOUPLEMENT RENFORCEE	REINFORCING GANGING COUPLING
19	FR4013	BAGUE DE BLOCAGE	BLOCKING RING
20	50000	VIS TCHC M3 X 10	SCREW M3 X 10
21	FR4012	ECROU A TETONS	BREAST NUT
22	52620	COUSSINET XSM 15-17-15	BEARING 15-17-15
23	FR2034	DEFLECTEUR EJECTION	EJECTION PLATE
24	52615	COUSSINET XFM 15-17-15	BEARING 15-17-15
25	PH-77	JOINT TORIQUE 18.72 x 2.62	O-RING 18.72 X 2,62
26	FR4000	CORPS LAITON	UNIT BODY
26	FR4000NI	CORPS LAITON NSF	UNIT BODY NSF
27	FR4002	PLATEAU INOX	STAINLESS STEEL TURNTABLE
28	FR7000	PLATEAU PLASTIQUE	PLASTIC TURNTABLE
29	51800	RONDELLE 12 X 24 X 2 INOX	WASHER 12
30	51300	ECROU M12 X 125	NUT M12 X 125
31	FR7011	ENTONNOIR	FUNNEL
32	C-48	VIS TCHC M8X16 INOX	SCREW M8 X 16
33	FR2021	TOLE ENTRETOISE 2 mm	PLATE
34	FR4019	PROTECTION BUTEE A BILLE	BEARING COVER



PLANCHE/PLATE : 222

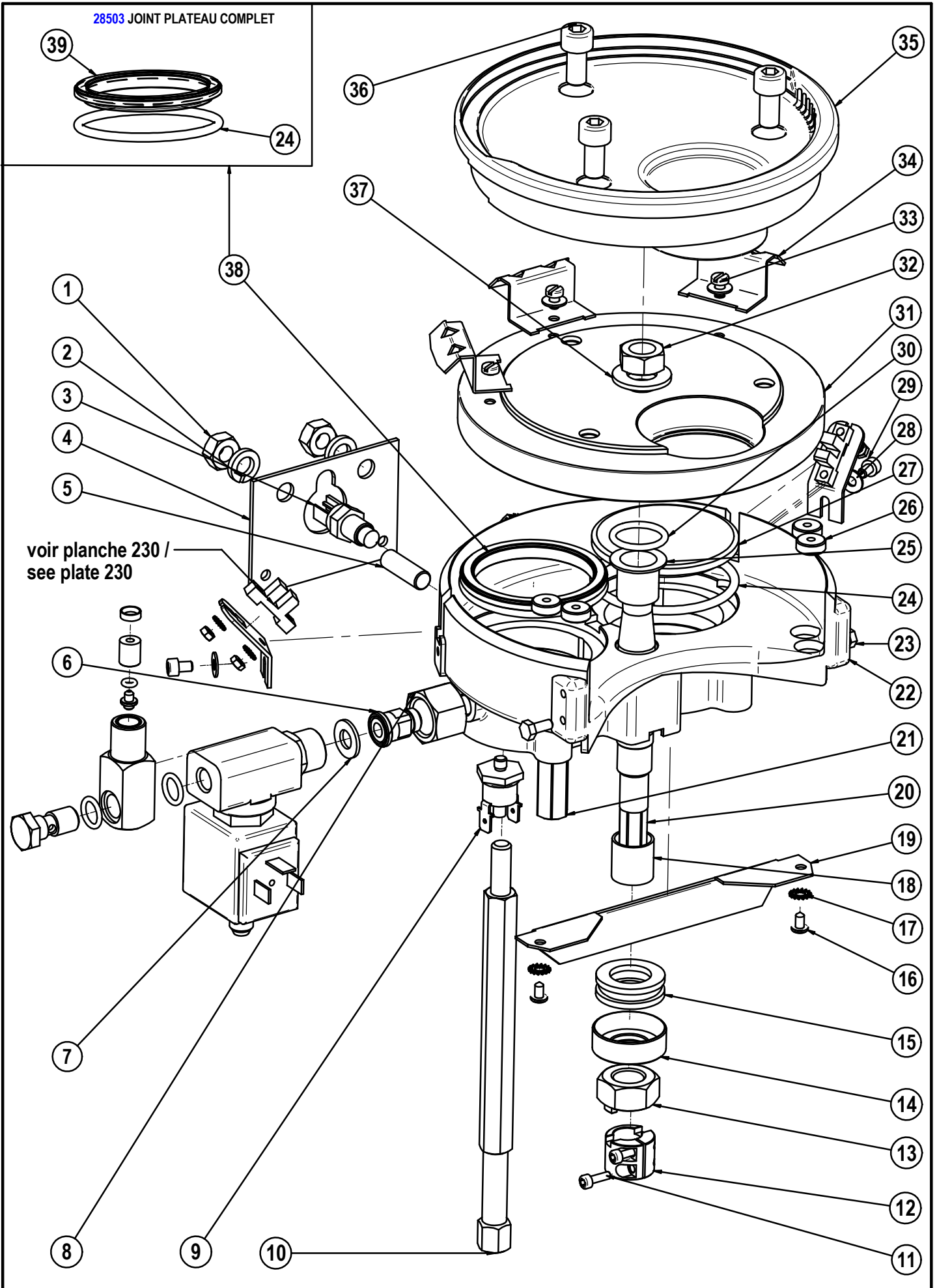
REP	REF	DESIGNATIONS	DESIGNATIONS
1	FR2082	TOLE POSITION PLATEAU LARGE	WIDE TURNABLE TOP PLATE
2	CN 325	VIS INOX TC 4 x 6	SCREW M4 X 6 STAINLEES STEEL
3	51300	ECROU M12 X 125	NUT M12 X 125
4	51800	RONDELLE 12 X 24 X 2 INOX	WASHER 12
5	FR4002	PLATEAU INOX	STAINLESS STEEL TURNTABLE
6	PH-77	JOINT TORIQUE 18.72 x 2.62	O-RING 18.72 X 2,62
7	28502	BUTEE PLATEAU	BASE DIA: 12
8	52615	COUSSINET XFM 15-17-15	BEARING 15-17-15
9	DV-44	VIS TH M4X10 ACIER	SCREW M4x10
10	FR4000	CORPS LAITON	UNIT BODY
10	FR4000NI	CORPS LAITON NSF	UNIT BODY NSF
11	34210	SECURITE THERMIQUE temperature 115°C	SAFETY THERMOSTAT 115°C
12	FR4029	ENTRETOISE M8	SCREW M8
13	FR2034	DEFLECTEUR EJECTION	EJECTION PLATE
14	CN-343	RONDELLE EVENTAIL 4	WASHER 4
15	50702	VIS TOLE TC INOX N°6 X 6.4	SCREW
16	FR4011	AXE PLATEAU	TURNABLE AXLE
17	52620	COUSSINET XSM 15-17-15	BEARING 15-17-15
18	53117	BUTEE A BILLE 51102 d28xd15x9	THRUST BALL BEARING 28X15X16
19	FR4019	PROTECTION BUTEE A BILLE	BEARING COVER
20	50000	VIS TCHC M3 X 10	SCREW M3 X 10
21	FR4013	BAGUE DE BLOCAGE	BLOCKING RING
22	FR4012	ECROU A TETONS	BREAST NUT
23	FR4030	VIS TH M8 X 20 L 180	SCREW M8 X 20 L:180
24	PB-21	ECROU 3/8 LAITON	FITTING 3/8
25	DO-74	RACCORD SOUPAPE HP	H.P VALVE CONNECTION
26	CH-16	JOINT CUIVRE RECUIT 3/8	WASHER - COPPER - 3/8
27	50106	VIS TCHc M4 x 6	SCREW M4 X 6
28	PG-49	ECROU INOX Hu DE 3	NUT M3
29	CN-342	RONDELLE EVENTAIL 3	WASHER 3
30	CF-335A	VIS INOX STHC 8 X 25	SCREW M8x25 STAINLESS STEEL
31	34410	SONDE THERMOSTATIQUE	THERMOSTATIC PROBE
32	FR2021	TOLE ENTRETOISE 2 mm	PLATE
33	RR-83	RONDELLE GROVER DE 8	WASHER 8
34	PE-12	ECROU M8	NUT M8
35	28503	JOINT PLATEAU COMPLET	GASKET UNIT
36	PG-15B	RONDELLE INOX 4.2X10X0.8	WASHER
37	C-48	VIS TCHC M8X16 INOX	SCREW M8 X 16
38	FR7000	PLATEAU PLASTIQUE	PLASTIC TURNTABLE
39	28507	JOINT PLATEAU COMPOSITE	TURNTABLE GASKET
40	27910	JOINT TORIQUE 3.53 X 53.37 VITON	GASKET



PLANCHE/PLATE : 225

REP	REF	DESIGNATIONS	DESIGNATIONS
1	PE-12	ECROU M8	NUT M8
2	RR-83	RONDELLE GROVER DE 8	WASHER 8
3	34410	SONDE THERMOSTATIQUE	THERMOSTATIC PROBE
4	FR2021	TOLE ENTRETOISE 2 mm	PLATE
5	CF-335A	VIS INOX STHC 8 X 25	SCREW M8x25 STAINLESS STEEL
6	DO-74	RACCORD SOUPAPE HP	H.P VALVE CONNECTION
7	CH-16	JOINT CUIVRE RECUIT 3/8	WASHER - COPPER - 3/8
8	PB-21	ECROU 3/8	NUT 3/8
9	34210	SECURITE THERMIQUE TEMP 110°C	SAFETY THERMOSTAT 110°C
10	FR4030	VIS TH M8 X 20 L 180	SCREW M8 X 20 L:180
11	50000	Vis TCHC M3X10	SCREW M3X10
12	FR4013	BAGUE DE BLOCAGE	BLOCKING RING
13	FR4012	ECROU A TETONS	BREAST NUT
14	FR4019	PROTECTION BUTEE A BILLE	BEARING COVER
15	53117	BUTEE A BILLE 51102 d28xd15x9	THRUST BALL BEARING 28X15X16
16	50702	VIS TOLE TC INOX N°6 X 6.4	SCREW
17	CN-343	RONDELLE EVENTAIL 4	WASHER 4
18	52620	PALIER LISSE	SMOOTH BEARING
19	FR2034	DEFLECTEUR EJECTION	EJECTION PLATE
20	FR4011	AXE DU PLATEAU	TURNTABLE AXLE
21	FR4029	ENTRETOISE M8	SCREW M8
22	FR4000	CORPS LAITON	UNIT BODY
22	FR4000NI	CORPS LAITON NSF	UNIT BODY NSF
23	DV-44	VIS TH M4X10 ACIER	SCREW M4x10
24	27910	JOINT TORIQUE 3.53 X 53.37 EPDM	GASKET 3.53 x 53.37 EPDM
25	52615	COUSSINET XFM 15-17-17	BEARING 15-17-17
26	28502	BUTEE PLATEAU	BASE DIA: 12
27	FR4092	JOINT OBTURATEUR PISTON	GASKET
28	PG-15B	RONDELLE INOX MOYENNE DIAM 4	WASHER
29	50106	VIS TCHc M4 x 6	SCREW M4 X 6
30	PH-77	JOINT TORIQUE 2,62 X 18,72	GASKET 2,62 X 18,72
31	FR4002	PLATEAU INOX	STAINLESS STEEL TURNTABLE
32	51300	ECROU M12 X 125	NUT M12 X 125
33	CN-325	VIS INOX TC 4 x 6	SCREW M4 X 6
34	FR2082	TOLE POSITION PLATEAU LARGE	TURNTABLE STOP PLATE
35	FR7000	PLATEAU PLASTIQUE	PLASTIC TURNTABLE
36	C-48	VIS CHC M8X16 INOX	SCREW M8X16 INOX
37	51800	RONDELLE 12 X 24 X 2 INOX	WASHER 12
38	28503	JOINT PLATEAU COMPLET	GASKET UNIT
39	28507	JOINT PLATEAU COMPOSITE	TURNTABLE GASKET

28503 JOINT PLATEAU COMPLET



06/07/11

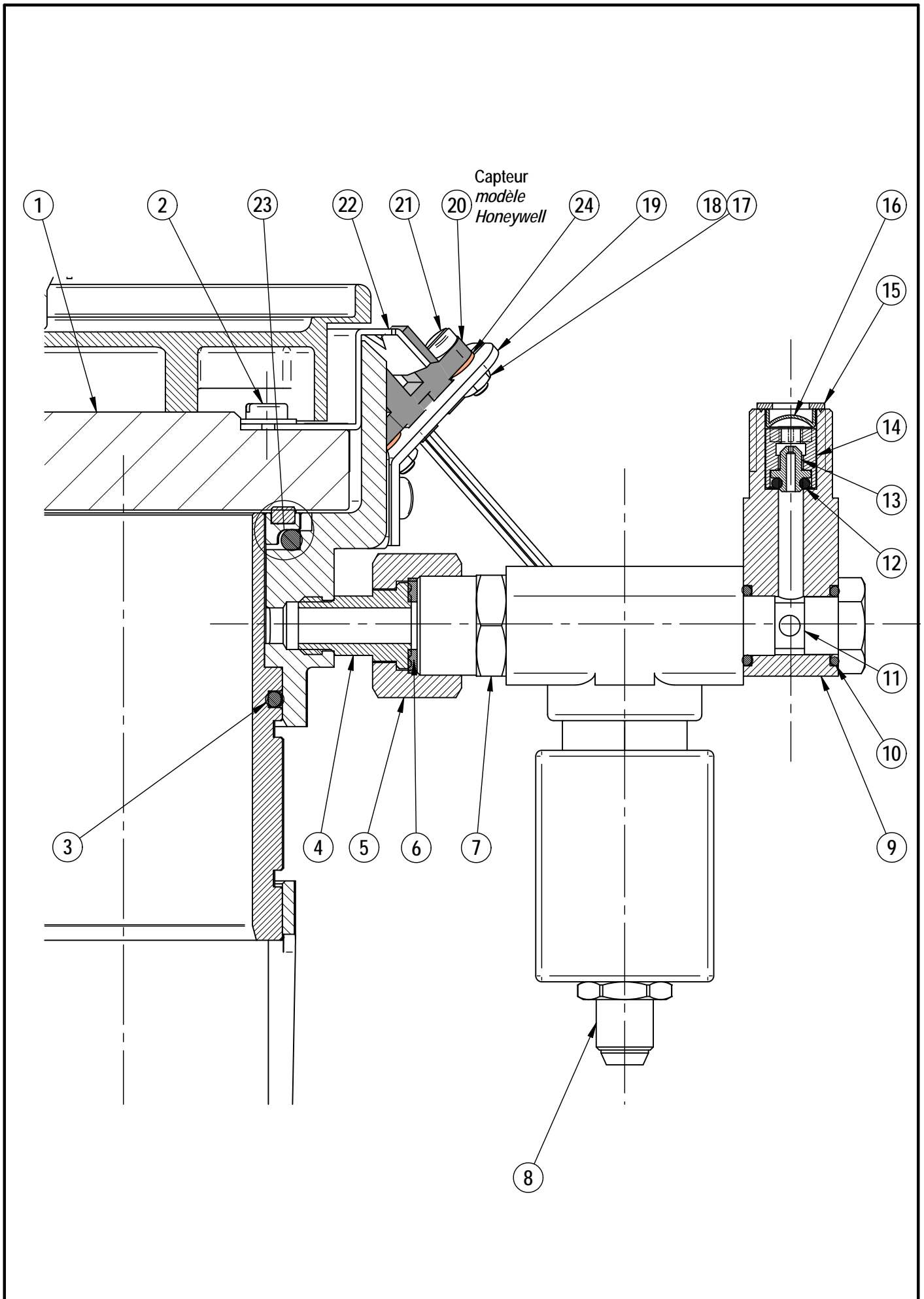
GRUPE CAFE 1 PISTON ECLATE
EXPLODE 1 PISTON COFEE UNIT

UNIC

225

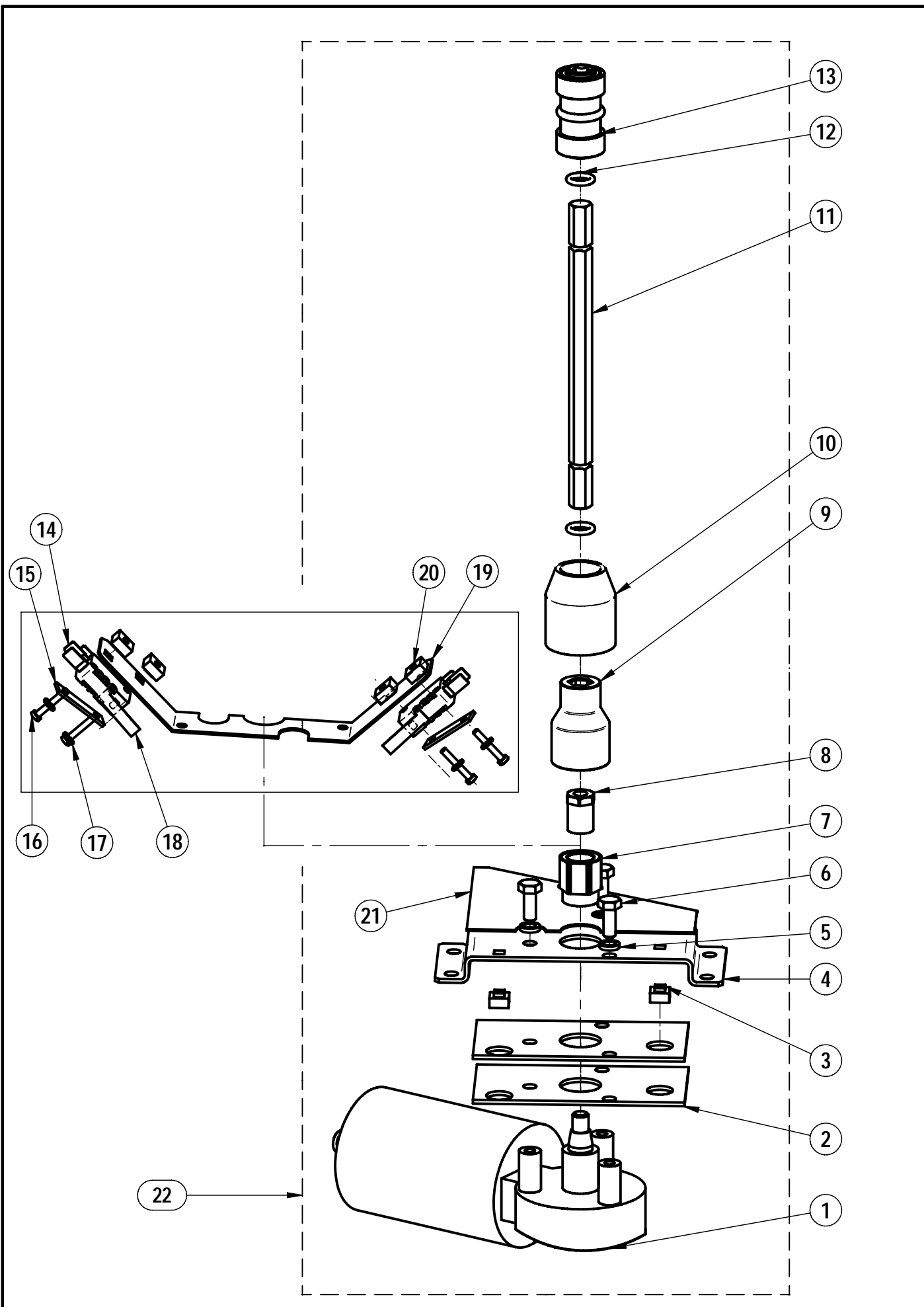
PLANCHE/PLATE : 230

REP	REF	DESIGNATIONS	DESIGNATIONS
1	FR4002	PLATEAU INOX	STAINLESS STEEL TURNTABLE
2	CN-325	VIS INOX TC 4 x 6	SCREW M4 X 6
3	27820	JOINT TORIQUE 2,62 X 47.29 EPDM	GASKET 2.62 X 47.29 EPDM
4	DO-74	RACCORD SOUPAPE HP	H.P VALVE CONNECTION
5	PB-21	ECROU 3/8 LAITON	FITTING 3/8
6	CH-16	JOINT CUIVRE RECUIT 3/8	WASHER - COPPER - 3/8
7	R-100	RACCORD LAITON	CONNECTION
7	R-100NI	RACCORD LAITON NSF	CONNECTION NSF
8	35010	ELECTROVANNE 3 V. 24V D1,2 GM	ELECTROVALVE 3 W 24V D1,2
8	35025	EV 3 VOIES 24V D1.2	EV 3 WAYS 24V D1.2
9	23772	CORPS DE BANJO GROUPE 1/4	BANJO BODY 1/4 FOR UNIT
9	23772NI	CORPS DE BANJO GROUPE 1/4 NSF	BANJO BODY 1/4 FOR UNIT NSF
10	28104	JOINT TORIQUE 2X9,5 FKM 80SH	GASKET 2X9,5
11	23751	AXE DE BANJO 1/8	BANJO SCREW
12	TC-80	JOINT TORIQUE 1,78X2,90 FKM	GASKET 1.78X2.90 FKM
13	23117	GICLEUR DIAM:0,7	JET DIAM. 0.7
14	23773	SUPPORT GICLEUR	JET HOLDER
14	23773NI	SUPPORT GICLEUR NSF	JET HOLDER NSF
15	CN-618	JOINT CUIVRE 1/4	GASKET - 1/4
16	25400	FILTRE INOX	FILTER
17	PG-49	ECROU INOX Hu DE 3	NUT M3
18	CN-342	RONDELLE EVENTAIL 3	WASHER 3
19	FR2033	TOLE SUPPORT CAPTEUR PLATEAU	SENSOR HOLDER
20	36500	CAPTEUR A FOURCHE EFFET HALL	FORK SENSOR
21	PG-13	VIS TC M3x10	SCREW M3 X 10
22	FR2082	TOLE POSITION PLATEAU LARGE	WIDE TURNABLE TOP PLATE
23	28503	JOINT PLATEAU COMPLET	GASKET UNIT
24	CN-108	RONDELLE LAITON Z3	WASHER



PLANCHE/PLATE : 236

REP	REF	DESIGNATIONS	DESIGNATIONS
1	37302	MOTOREDUCTEUR MFD351	MOTOREDUCER 24V MFD351
2	FR2017	TOLE ENTRETOISE MOTEUR MFD351	STIFFENER STHEETMETAL
3	52514	ECROU RAPIDE M4 EP:2	NUT M4
4	FR2000	TOLE SUPPORT MOTEUR	MOTOR HOLDER
5	51655	RONDELLE GROWER DE 6	WASHER 6
6	SH-28	VIS TH M6 X 16	SCREW M6 X 16
7	FR4110	ACCOUPLLEMENT MOTEUR MFD351	MOTOREDUCER GANGING
8	FR4112	ECROU ACCOUPLEMENT MOTEUR	MOTOREDUCER GANGING NUT
9	FR7002	DOUILLE POUR MOTEUR MFD351	MOTOREDUCER RING
10	FR4113	RENFORT ALU ACCOUPLEMENT	REINFORCE COUPLING STAINLESS
11	FR4015	AXE DE TRANSMISSION APRES 04/02	AXLE AFTER 04/2002
12	PH-78	JOINT TORIQUE 2,62X9,13 EPDM	O RING - 9,13 X 2,62
13	FR7003	DOUILLE ACCOUPLEMENT RENFORCEE	REINFORCING GANGING COUPLING
14	CN-526	MINIRUPTEUR SECU EAU MARRON	WATER SAFETY MINI SWITCH
15	CN-37	PATTE INOX FIXATION MINIRUPT.	MICROSWITCH HOLDING BAR
16	CN-31	VIS TC M3 X 20 INOX	SCREW M3 X 20
17	CN-342	RONDELLE EVENTAIL 3	WASHER 3
18	43510	LEVIER PLAT MICRORUPTEUR	LEVER FOR MICROSWITCH
19	FR2005	SUPPORT SECURITE BAC A MARC	DRAWER SAFETY HOLDER
20	52503	ECROU EN CAGE M3 pour ep 1	NUT M3
21	FR3255	TOLE PROTECTION MOTEUR	MOTOR PROTECTION
22	37300	KIT MOTEUR PLATEAU	TURNTABLE MOTOR KIT



PLANCHE/PLATE : 251

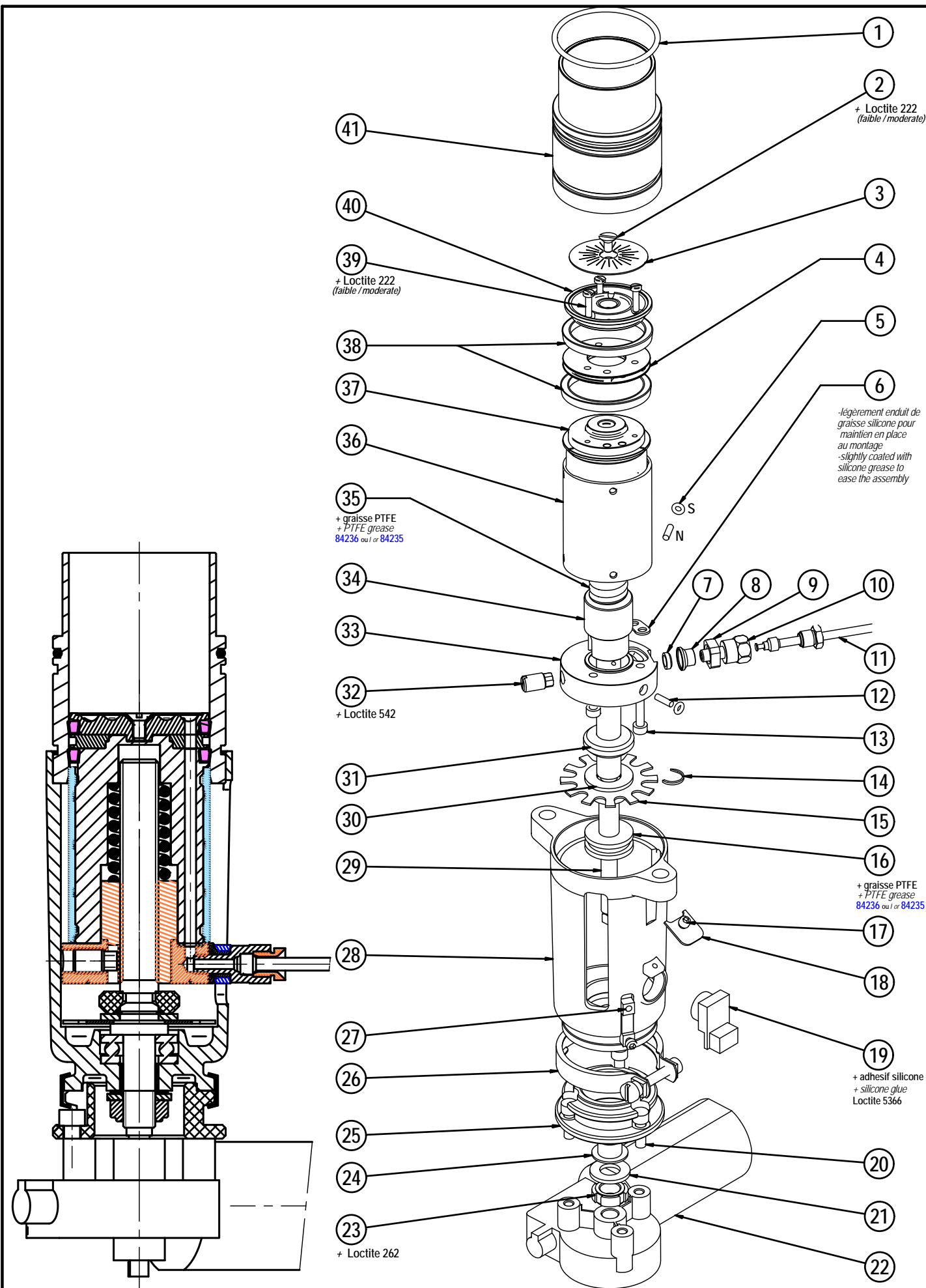
REP	REF	DESIGNATIONS	DESIGNATIONS
1	27820	JOINT TORIQUE 2,62 X 47.29 EPDM	GASKET 2.62 X 47.29 EPDM
2	CN-128	VIS INOX TF M4 X 8	SCREW M4 X 8
3	33419	FILTRE CAFE 24 - 180 STANDARD	COFFEE FILTER 24 -180 STANDARD
3	33447	FILTRE CAFE 1 TASSE 24 FENTES SELF	COFFEE FILTER 1 CUP 24 SLOTS SELF
3	33448	FILTRE CAFE 48 FENTES EXPORT	COFFEE FILTER 48 SLOTS EXPORT
4	FR4123	RONDELLE SUPPORT JOINT	WASHER HOLDER GASKET
5	TC-80	JOINT TORIQUE 1,78X2,90 FKM	GASKET 1.78X2.90 FKM
6	FR4127	JOINT HARICOT	FLAT SEAL
7	28510	JOINT PLAT DE SORTIE CAFE	FLAT GASKET
8	FR4017	ENTRETOISE DE CLAVETTE	COTTER SPACER
9	FR4018	CLAVETTE AUTOLUBRIFIANTE	SELF-LUBRICATING COTTER
10	FR4025	SORTIE CAFE	COFFEE OUTLET SCREW
11	FR6520	TUBE CAFE lg 238 mm	COFFEE PIPE length 238 mm
12	DO-54	AIMANT DIAM 3 L:10mm	MAGNET DIA:3 L:10mm
13	CN-489	VIS INOX CHC 4 x 16	SCREW M4 X 16
14	52812	ANNEAU DIAM 12 EP 0,6	RING DIAM 12 EP 0,6
15	FR2030	ROUE CODEUSE ACIER ZINGUE	CODING WHEEL
16	53110	BUTEE A BILLE 51100 d24xd10x9	THRUST BALL BEARING 24X10X9
17	CN-306	VIS INOX TCHC 3 x 8	SCREW M3 X 8
18	FR2028	TOLE BRIDE	SENSOR HOLDER
19	36501	CAPTEUR Ø16	SENSOR Ø16
20	PE-66	VIS TC M5 X 16 INOX	SCREW M5 X 16
21	51751	RONDELLE 10.7 X 20 X 2 INOX	WASHER 10
22	37305	MOTOREDUCTEUR 24V 500tr/mn	MOTOREDUCER 24V 500 rpm
23	51250	ECROU M10 X 75	NUT M10 X 75
24	52610	COUSSINET XFM 10-12-9	BEARING 10-12-9
25	FR4028	COLERETTE DE FIXATION	PLASTING RING
26	CN-825	COLLIER ACCOUP.L.MOTEUR POMPE	COLLAR OF PUMP MOTOR GANGING
27	36500	CAPTEUR A FOURCHE EFFET HALL	FORK SENSOR
28	FR4020	SUPPORT MOTEUR	MOTOR HOLDER
29	FR4023	AXE DU PISTON	PISTON AXLE
30	51800	RONDELLE 12 X 24 X 2 INOX	WASHER 12
31	FR4031	BUTEE PLASTIQUE	THRUST
32	FR4032	VIS TETON M8 X 100	SCREW M8 X 100
33	FR4124	RONDELLE SORTIE CAFE	COFFEE OUTLET RING
33	FR4124NI	RONDELLE SORTIE CAFE NSF	COFFEE OUTLET RING NSF
34	FR4027	ECROU Tr 12 X 3	NUT TR 12 X 3
35	28820	RESSORT ACIER d19.20 X L40 Df:3.2	SPRING Do:19.20 X df:3.2 Lo:40
36	FR4134	BAGUE PTFE	RING PTFE
37	FR4122	PISTON	PISTON
38	28500	JOINT A LEVRE PISTON Ø37.5	GASKET Ø 37.5
39	CN-30	VIS INOX TC 3 x 16	SCREW M3 X 16
40	FR4126	PIECE SUPERIEURE	UPPER PART
41	FR4021	CHEMISE	INFUSION CHAMBER

ENSEMBLES PISTONS SANS MOTEUR / PISTON ASSEMBLIES WHITHOUT MOTOREDUCER

Piston avec filtre /with filter 33419 (24 -180 STANDARD) : **FR1840** (droit / right) ; **FR1841** (gauche / left).

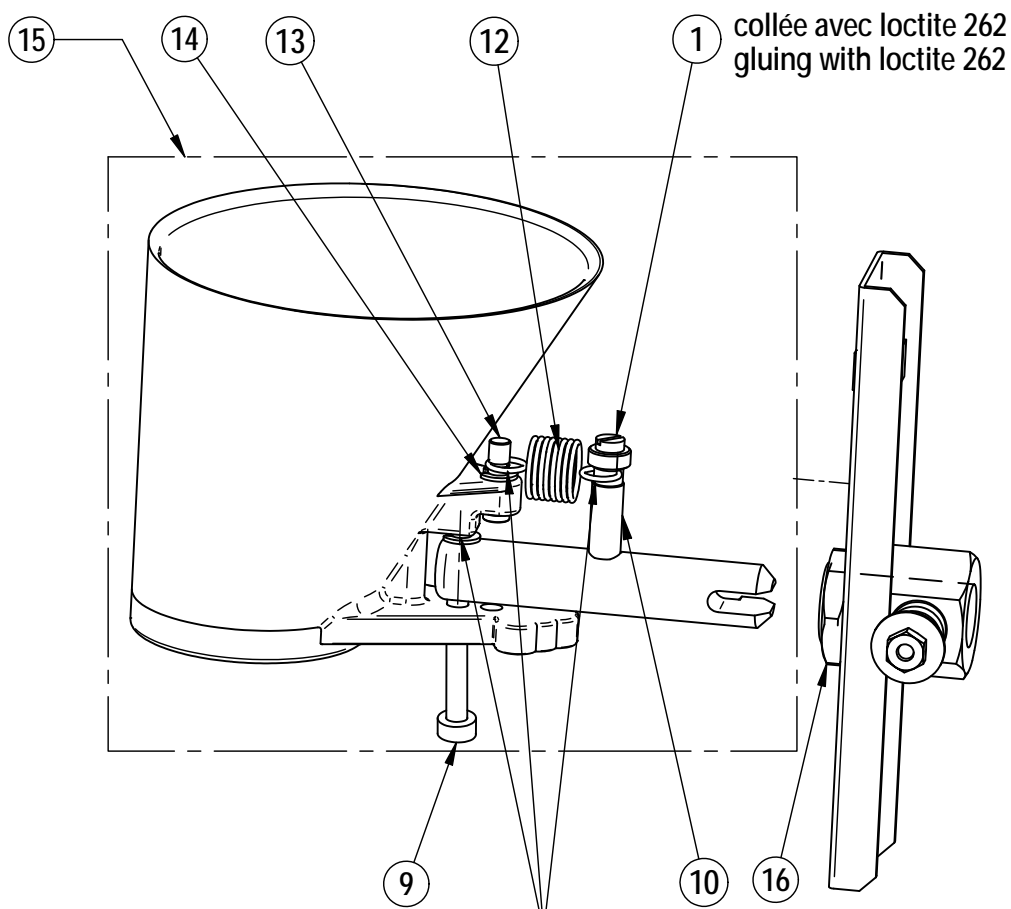
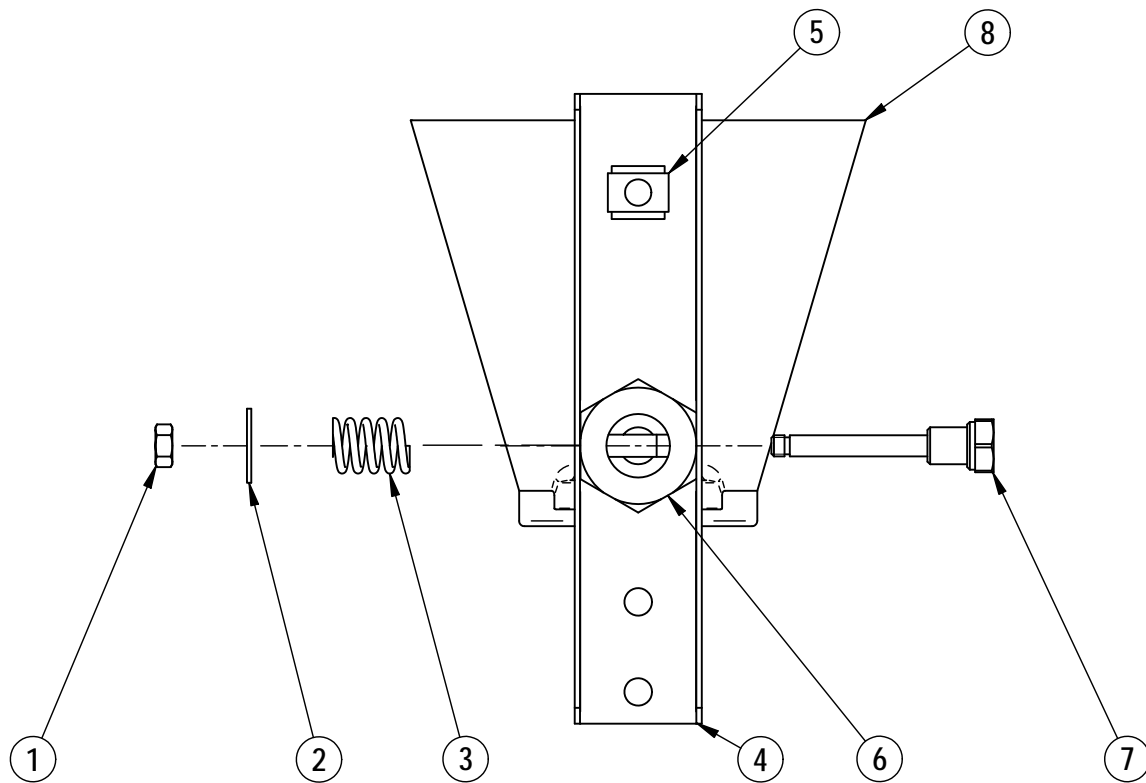
Piston avec filtre /with filter 33447 (1 tasse 24 fentes SELF /1 cup 24 slots SELF) : **FR1842**.

Piston avec filtre /with filter 33448 (48 fentes / 48 slots EXPORT) : **FR1848** (droit / right) ; **FR1849** (gauche / left).



PLANCHE/PLATE : 260

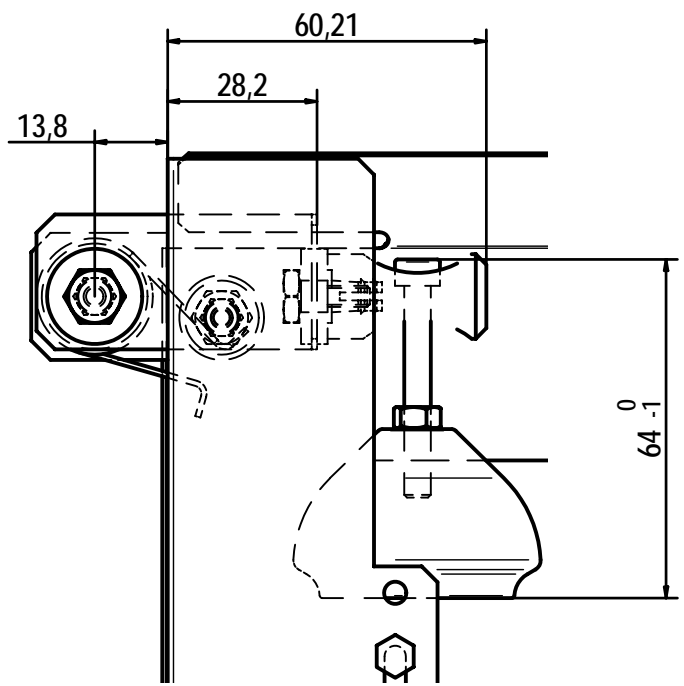
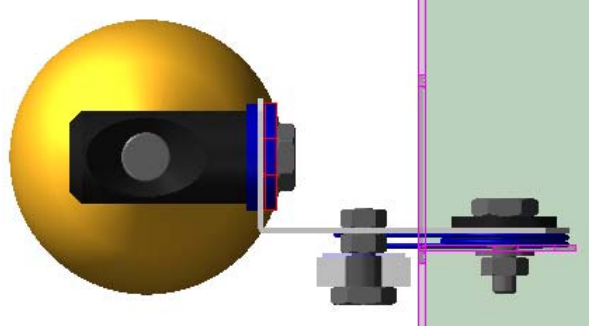
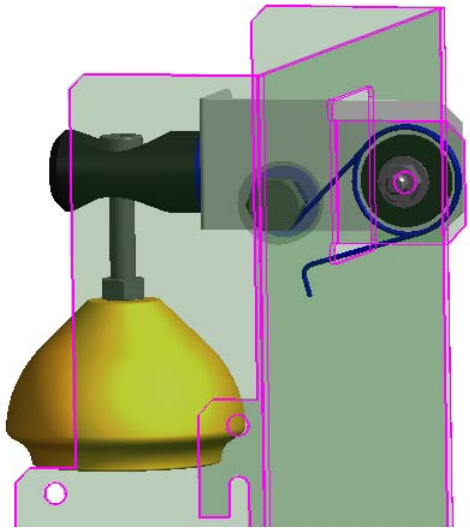
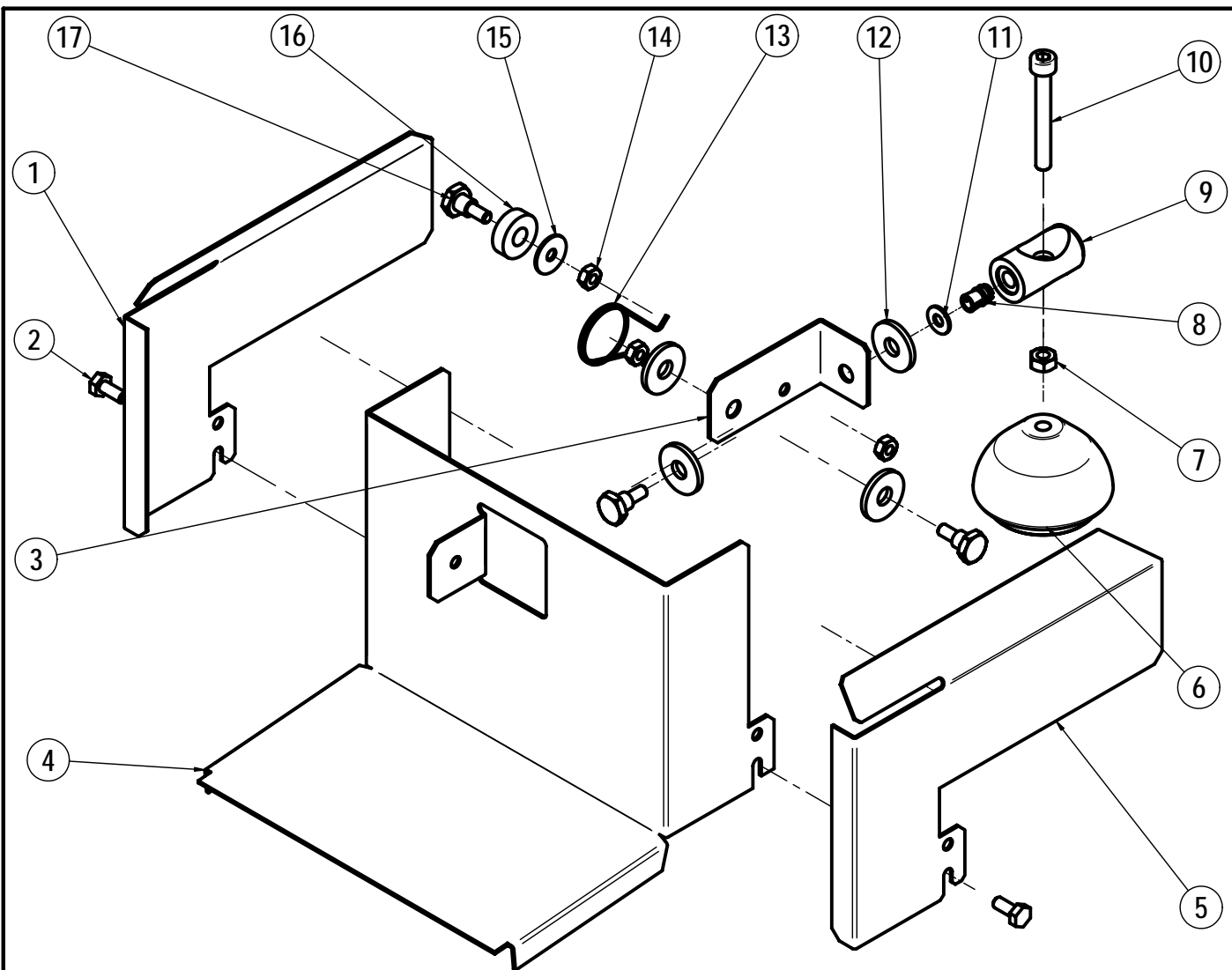
REP	REF	DESIGNATIONS	DESIGNATIONS
1	PG-14	ECROU M4	NUT M4
2	PG-16	RONDELLE ACIER Zn 4,25x14x0,8	WASHER
3	PA-43	RESSORT F15/10 L14,5 D10,5 P3	SPRING
4	FR2025	TOLE SUPPORT ENTONNOIR	FUNNEL HOLDER
5	52506	ECROU CAGE M6 X ep 1	INSERT NUT M6
6	FR4043	CORPS SUPPORT ENTONNOIR	FUNNEL HOLDER BODY
7	FR4040	AXE DE VERROUILLAGE ENTONNOIR	LOCKING ROD
8	FR7011	ENTONNOIR	FUNNEL
9	FR4045	AXE DE ROTATION ENTONNOIR	ROTATING AXLE
10	FR4048	AXE FIXE	AXLE
11	CN-49	VIS TC M3X25	SCREW M3 X 25
12	28816	RESSORT ENTONNOIR	FUNNEL SPRING
13	FR4047	AXE MOBILE	AXLE
14	PH-31	ANNEAU TRUARC	TRUARC RING
15	FR1006	KIT ENTONNOIR PARTIE MOBILE	FUNNEL KIT
16	NA18A	ECROU LAITON 3/8 6 mm	3/8 NUT



graisse PTFE (84236) déposée au pinceau
PTFE grease (84236) put with a brush

PLANCHE/PLATE : 270

REP	REF	DESIGNATIONS	DESIGNATIONS
1	FR2073	TOLE ANTIPLASH GAUCHE	ANTI SPLASH PLATE LEFT
2	DV-44	VIS TH M4X10 ACIER	SCREW M4x10
3	FR2045	EQUERRE SUPPORT NETTOYEUR	RIGHT ANGLE BRACKET
4	FR2031	TOLE SUPPORT BALANCIER	CLEANING BALL HOLDER
5	FR2074	TOLE ANTIPLASH DROITE	ANTI SPLASH PLATE RIGHT
6	FR4070	BOULE NETTOYEUR	CLEANING BALL
7	51100	ECROU M5 INOX	NUT M5
8	51355	INSERT M4D LAITON L:9.5	INSERT M4
9	FR4071	AXE SUPPORT BOULE NETTOYEUR	CLEANING BALL AXLE
10	50203	VIS CHC M5 X 45 INOX	SCREW M5 X 40
11	PG-15B	RONDELLE INOX 4.2X10X0.8	WASHER
12	51650	RONDELLE 6 6.4x18x2 NYLON	WASHER DIAM. 6 NYLON
13	28810	RESSORT NETTOYEUR	SPRING
14	PG-14	ECROU M4	NUT M4
15	PG-16	RONDELLE ACIER Zn 4,25x14x0,8	WASHER
16	PA-77	JOINT 6,5 x 16 x 5	GASKET 6,5 X 16 X 5
17	FR4072	VIS EPAULE M4	SCREW M4



09/06

ENSEMBLE NETTOYEUR
CLEANING DEVICE

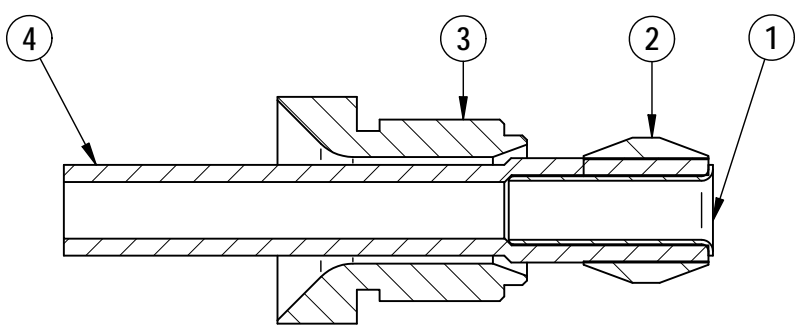
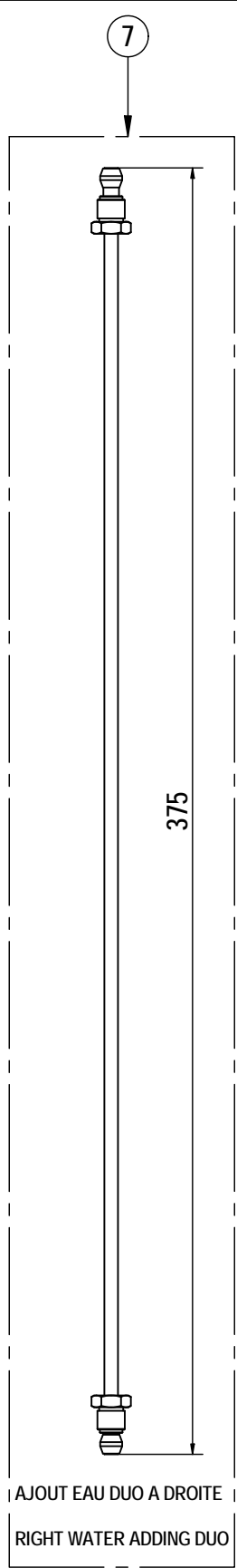
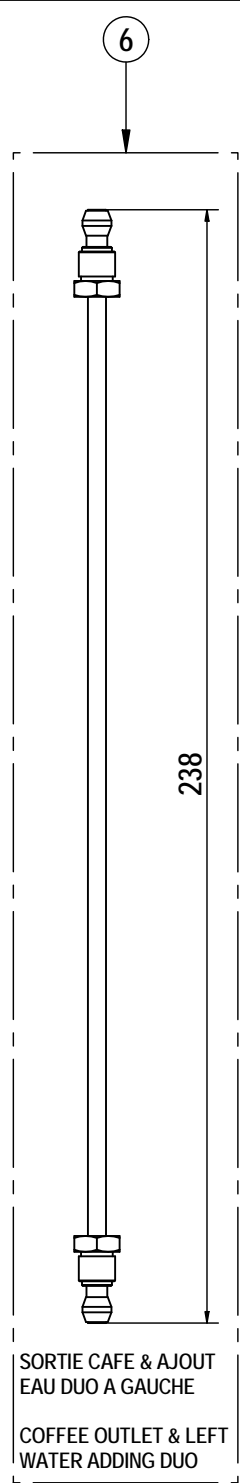
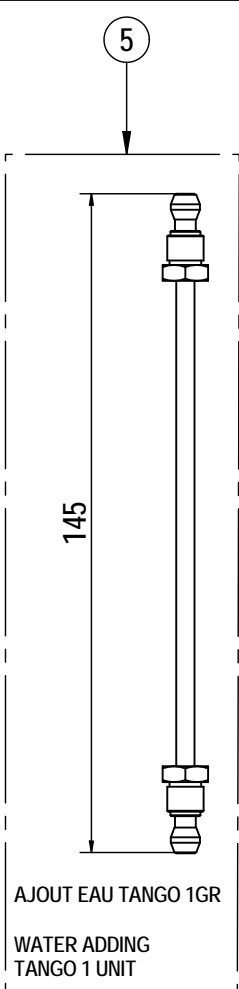
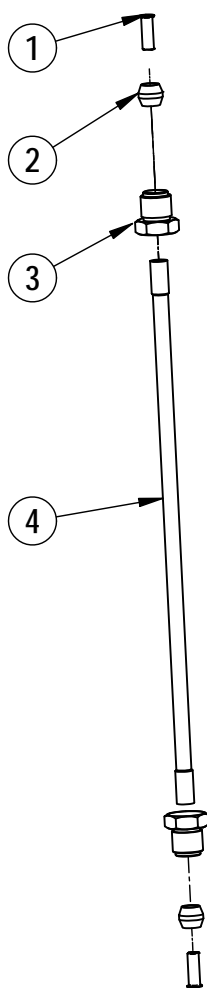
FR 1007

UNIC

270

PLANCHE/PLATE : 280

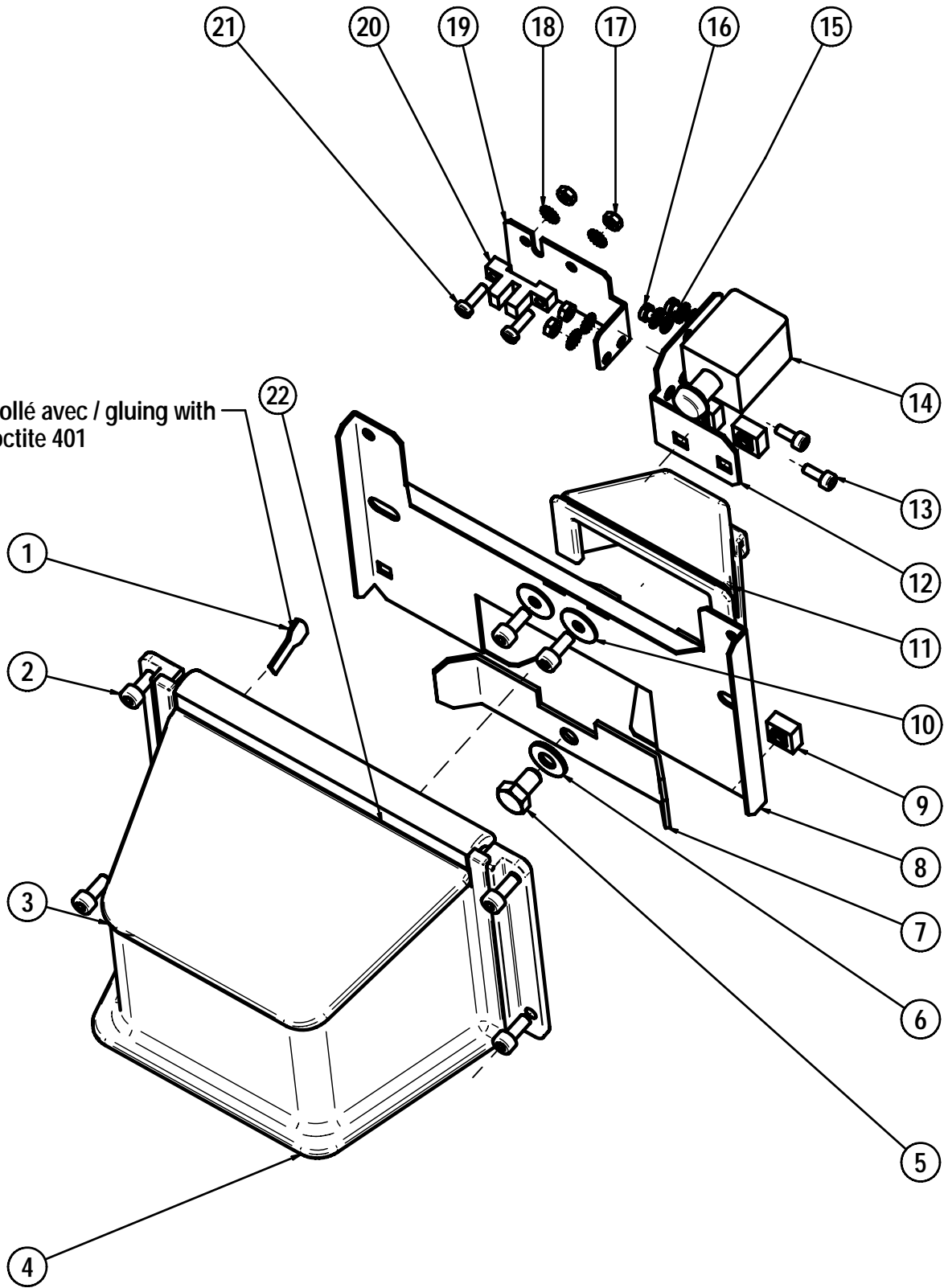
REP	REF	DESIGNATIONS	DESIGNATIONS
1	21421	INSERT DIA:2.6	SLEEVE DIA:2.6
1	21421NI	INSERT DIA:2.6 NSF	SLEEVE DIA:2.6 NSF
2	21420	BICONE DIA:4.5	NIPPLE DIA:4.5
2	21420NI	BICONE DIA:4.5 NSF	NIPPLE DIA:4.5 NSF
3	21360	ECROU M8 X 100	NUT M8 X 100
4	12734	TUBE PTFE DIA:4	PIPE PTFE DIA:4
5	FR6513	TUBE PTFE SORTIE EAU CHAUDE L:145	OUTLET HOT WATER PIPE L:145mm
5	FR6513NI	TUBE PTFE SORTIE EAU CHAUDE L:145 NSF	OUTLET HOT WATER PIPE L:145mm NSF
6	FR6520	TUBE CAFE lg 238 mm	COFFEE PIPE length 238 mm
6	FR6520NI	TUBE CAFE lg 238 mm NSF	COFFEE PIPE length 238 mm NSF
6	FR6510	TUBE PTFE SORTIE CAFE L:245mm	OUTLET COFFEE PIPE L:245mm
7	FR6511	TUBE PTFE SORTIE EAU CHAUDE L:375	OUTLET HOT WATER PIPE L:375mm
7	FR6511NI	TUBE PTFE SORTIE EAU CHAUDE L:375 NSF	OUTLET HOT WATER PIPE L:375mm NSF



PLANCHE/PLATE : 290

REP	REF	DESIGNATIONS	DESIGNATIONS
1	FR2050	TOLE BUTEE	PLATE FOR SENSOR
2	PE-59	VIS TCHC M4x10 INOX	SCREW M4 X 10
3	FR7017	PORTE	DOOR
4	FR7015	CORPS BOITE DK	DK BOX BODY
5	51255	VIS TH M6 X 10 INOX	S. STEEL SCREW M6 X 10
6	PH 32	RONDELLE PLATE 6,25 X 14 X 1,2	WASHER
7	FR2047	CALE DE FIXATION	PLATE U
8	FR2046	TOLE SUPPORT BOITE DK	DK BOX HOLDER
9	CN-661	ECROU RAPID M4 EN CAGE /1_1,6	INSERT NUT M4
10	PG-16	RONDELLE ACIER Zn 4,25x14x0,8	WASHER
11	FR7016	COLLECTEUR CAFE	COFFEE COLLECTOR
12	FR2048	TOLE SUPPORT ELECTRO AIMANT	ELECTRO MAGNET HOLDER
13	CN-306	VIS INOX TCHC 3 x 8	SCREW M3 X 8
14	36210	ELECTRO AIMANT COMPLET	WHOLE ELECTRO MAGNET
15	CN-108	RONDELLE LAITON Z3	WASHER
16	CN-175	VIS TC M3 X 5 INOX	SCREW M3 X 5
17	PG-49	ECROU INOX Hu DE 3	NUT M3
18	CN-342	RONDELLE EVENTAIL DE 3	WASHER
19	FR2049	SUPPORT CAPTEUR BOITE DK	FORK SENSOR HOLDER
20	36500	CAPTEUR A FOURCHE EFFET HALL	FORK SENSOR
21	PG-13	VIS TC M3X10	SCREW M3X10
22	45985	AUTOCOLLANT BOITE DK	STICKER

Collé avec / gluing with
loctite 401



22/03/07

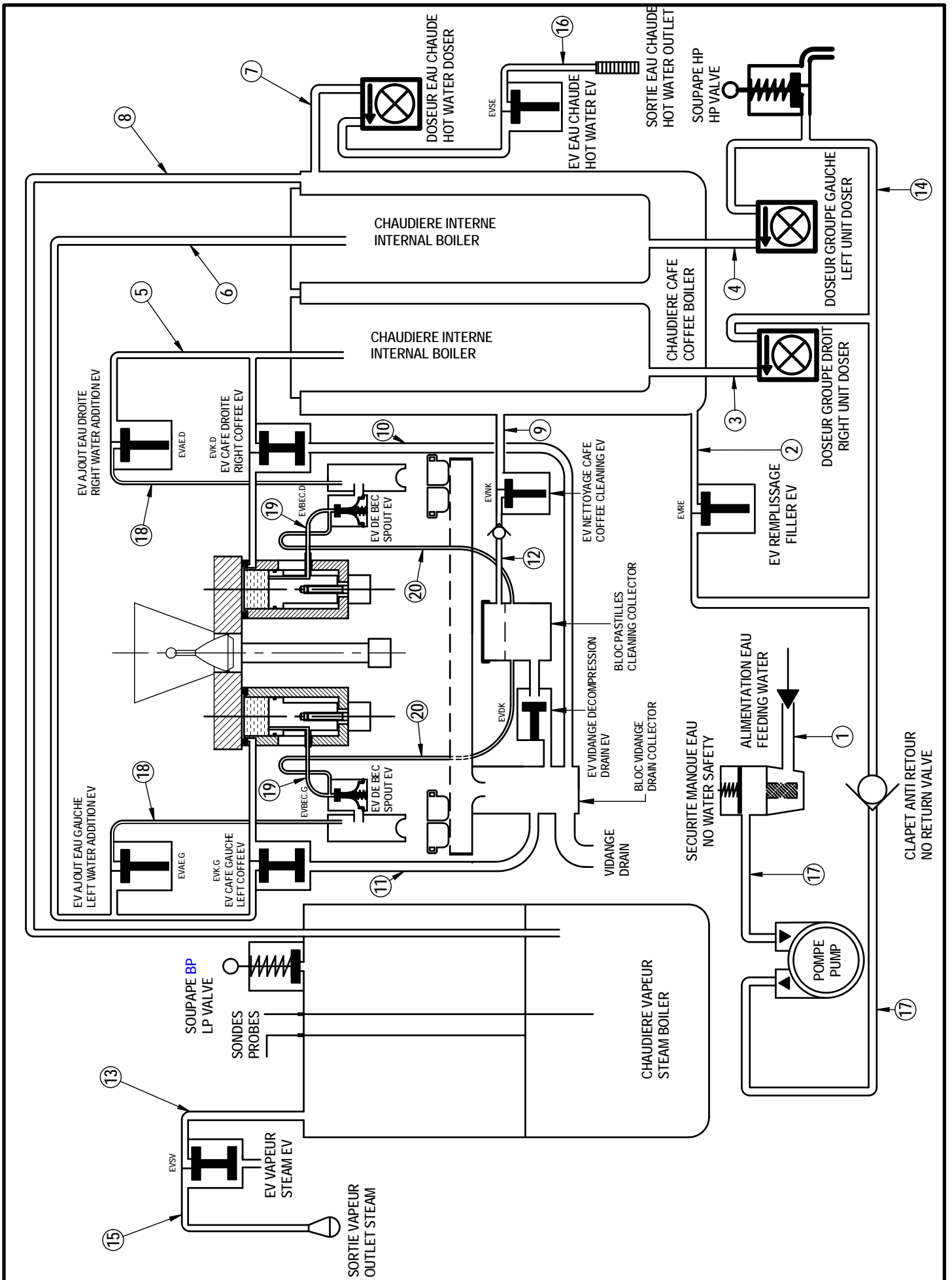
BOITE DK
DK BOX

UNIC

290

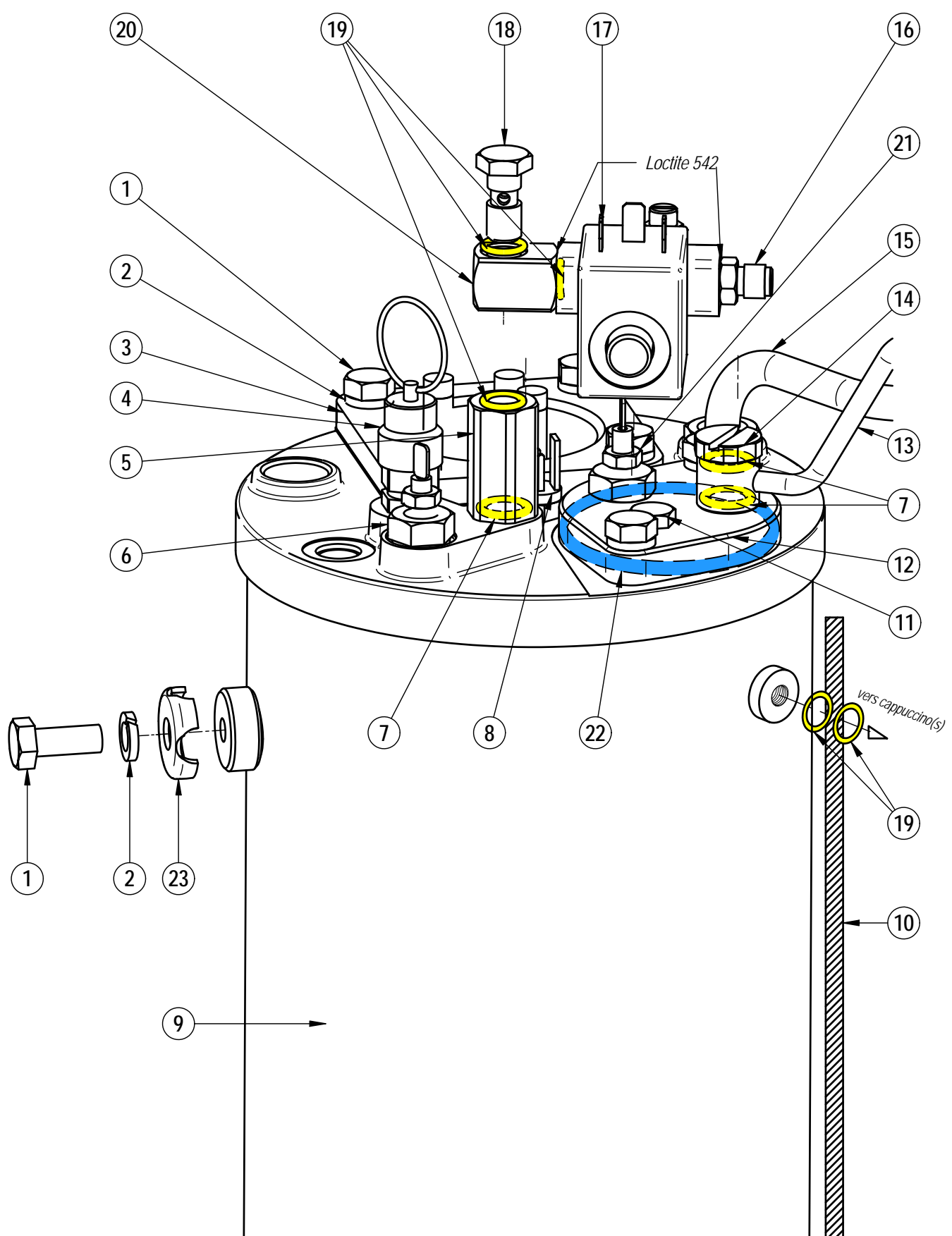
PLANCHE/PLATE : 302

REP	REF	DESIGNATION	DESIGNATION
1	FR6000	TUBE ENTRE D'EAU	WATER FEEDING TUBE
1	FR6000NI	TUBE ENTRE D'EAU NSF	WATER FEEDING TUBE NSF
2	FR6001	TUBE DE REMPLI. CHAUDIERE CAFE	COFFEE BOILER FEEDING TUBE
2	FR6001NI	TUBE DE REMPLI. CHAUDIERE CAFE NSF	COFFEE BOILER FEEDING TUBE NSF
3	FR6042	TUBE DOSEUR DROIT	RIGHT METERING UNIT PIPE
3	FR6042NI	TUBE DOSEUR DROIT NSF	RIGHT METERING UNIT PIPE NSF
4	FR6043	TUBE DOSEUR GAUCHE	LEFT METERING UNIT PIPE
4	FR6043NI	TUBE DOSEUR GAUCHE NSF	LEFT METERING UNIT PIPE NSF
5	FR6004	TUBE GROUPE CAFE DROIT	RIGHT EV COFFEE PIPE
5	FR6004NI	TUBE GROUPE CAFE DROIT NSF	RIGHT EV COFFEE PIPE NSF
6	FR6005	TUBE GROUPE CAFE GAUCHE	LEFT EV COFFEE PIPE
6	FR6005NI	TUBE GROUPE CAFE GAUCHE NSF	LEFT EV COFFEE PIPE NSF
7	FR6006	TUBE EV EAU CHAUDE	HOT WATER EV PIPE
7	FR6006NI	TUBE EV EAU CHAUDE NSF	HOT WATER EV PIPE NSF
7	FR6031	TUBE EV EAU CHAUDE COURT	HOT WATER EV SHORT PIPE
7	FR6031NI	TUBE EV EAU CHAUDE COURT NSF	HOT WATER EV SHORT PIPE NSF
8	FR6007	TUBE REMPLISSAGE CH. VAPEUR	STEAM BOILER FEEDING PIPE
8	FR6007NI	TUBE REMPLISSAGE CH. VAPEUR NSF	STEAM BOILER FEEDING PIPE NSF
9	FR6035	TUBE ALIMENTATION EV NETTOYAGE GROUPE	CLEANING EV FEEDING PIPE
9	FR6035NI	TUBE ALIM EV NETTOYAGE GROUPE NSF	CLEANING EV FEEDING PIPE NSF
10	FR6526	TUBE DE DECOMPRESSION L 430MM	DISCHARGE PIPE L 430MM
11	FR6525	TUBE DE DECOMPRESSION L 400MM	DISCHARGE PIPE L 400MM
12	FR6012	TUBE ALIMENTATION BLOC PASTILLE	CLEANING DEVICE FEEDING PIPE
12	FR6012NI	TUBE ALIMENTATION BLOC PASTILLE NSF	CLEANING DEVICE FEEDING PIPE NSF
13	FR6069	TUBE VAPEUR DUO	STEAM PIPE
13	FR6069NI	TUBE VAPEUR DUO NSF	STEAM PIPE NSF
14	FR6015	TUBE INTER DOSEURS	INTER METERING UNIT PIPE
14	FR6015NI	TUBE INTER DOSEURS NSF	INTER METERING UNIT PIPE NSF
15		VOIR PLANCHE 510	SEE PLATE 510
16		VOIR PLANCHE 530	SEE PLATE 530
17	ID-75	TUBE FLEXIBLE COUDE ARME INOX	FLEXIBLE PIPE
18	FR6511	TUBE PTFE SORTIE EAU CHAUDE L:375	OUTLET HOT WATER PIPE L:375mm
18	FR6511NI	TUBE PTFE SORTIE EAU CHAUDE L:375 NSF	OUTLET HOT WATER PIPE L:375mm NSF
19	FR6520	TUBE CAFE lg 238 mm	COFFEE PIPE length 238 mm
19	FR6520NI	TUBE CAFE lg 238 mm NSF	COFFEE PIPE length 238 mm NSF
20	FR6521	TUBE DETERGENT	DETERGENT PIPE



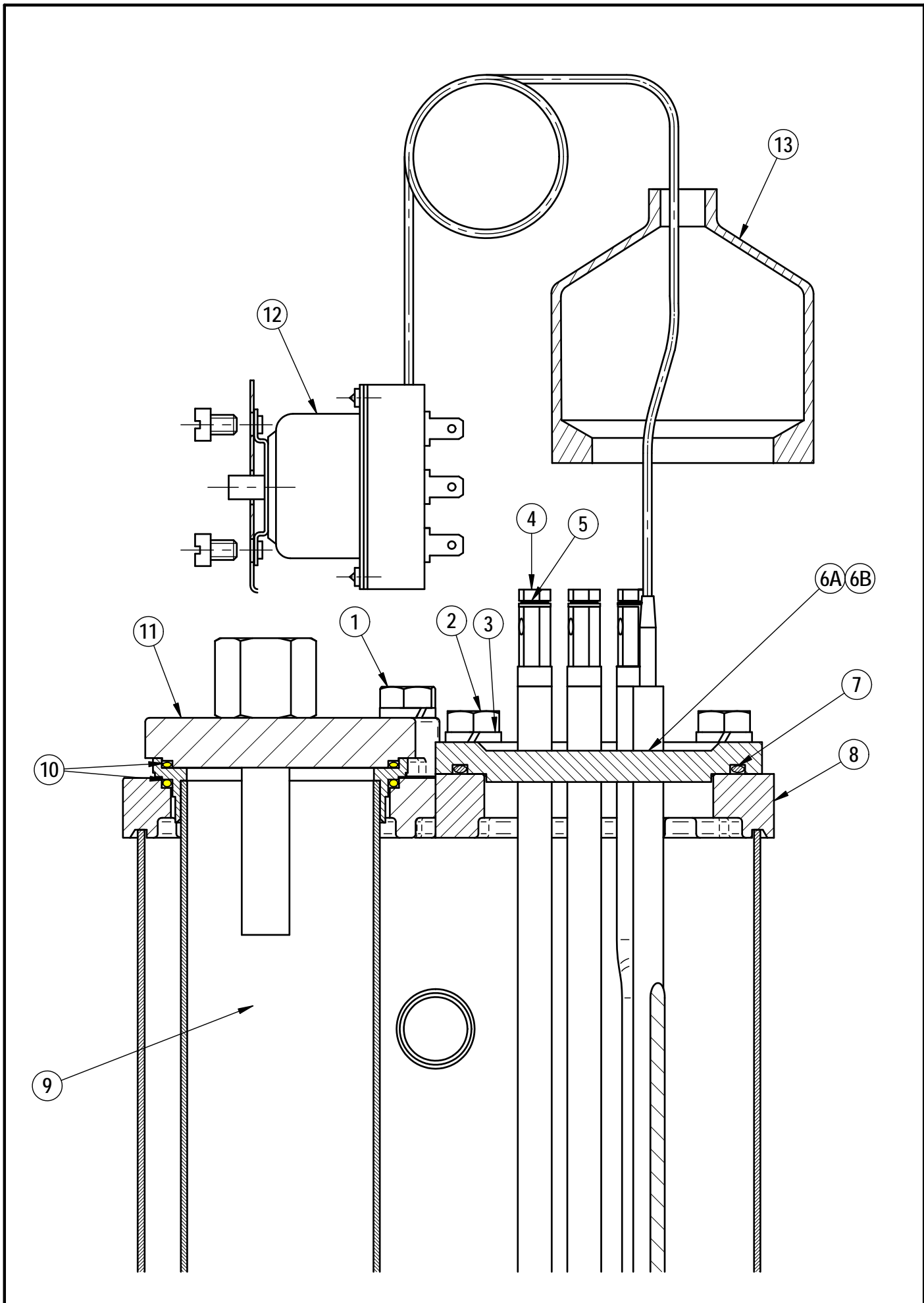
PLANCHE/PLATE : 320

REP	REF	DESIGNATIONS	DESIGNATIONS
1	CV-3	VIS TH M8 x 20 INOX	S.STEEL SCREW M8 x 20
2	RR-83	RONDELLE GROVER DE 8	WASHER 8
3	29830	ELEMENT CHAUFFANT 230V 2500W	HEATING ELEMENT 230V 2500W MONO
3	29830NI	ELEMENT CHAUFFANT 230V 2500W NSF	HEATING ELEMENT 230V 2500W MONO NSF
4	27200	SOUPAPE VAPEUR 3,5 BARS	LP VALVE 1/8
4	27220	SOUPAPE BP 1/8	LP VALVE 1/8
5	FR6022	TUBE PLONGEUR	PIPE
5	FR6022NI	TUBE PLONGEUR NSF	DIVER PIPE NSF
6	26522	SONDE DE NIVEAU BAS	LOW LEVEL PROBE
6	26522NI	SONDE DE NIVEAU BAS NSF	LOW LEVEL PROBE NSF
7	27796	JOINT TORIQUE 1,78 X 12,42 NEXUS	O RING 1.78 X 12,42
8	34410	SONDE THERMOSTATIQUE	THERMOSTATIC PROBE
9	29055	CHAUDIERE	BOILER
9	29055NI	CHAUDIERE NSF	BOILER NSF
10	85210	ISOLANT CHAUDIERE	THERMIC INSULATOR
11	21100	BOUCHON 1/8	PLUG 1/8
11	21100NI	BOUCHON 1/8 NSF	PLUG 1/8 NSF
12	29601	BRIDE	FLANGE BOILER
12	29601NI	BRIDE NSF	FLANGE BOILER NSF
13	FR6020	TUBE ALIMENTATION CAPPU. DROIT	RIGHT CAPPUCCI. DEVICE FEEDING PIPE
13	FR6020NI	TUBE ALIMENTATION CAPPU. DROIT NSF	RIGHT CAPPUCCI. DEVICE FEEDING PIPE NSF
14	23760	AXE BANJO 1/4	BANJO SCREW 1/4
14	23760NI	AXE BANJO 1/4 NSF	BANJO SCREW 1/4 NSF
15	FR6007	TUBE REMPLISSAGE CH. VAPEUR	STEAM BOILER FEEDING PIPE
15	FR6007NI	TUBE REMPLISSAGE CH. VAPEUR NSF	STEAM BOILER FEEDING PIPE NSF
16	MI-36	RACCORD 1/8M 1/8M	CONNECTION 1/8
16	MI-36NI	RACCORD 1/8M 1/8M NSF	CONNECTION 1/8 NSF
17	CN-631R	ELECTROVANNE 2V REG 24V50-60HZ	ELECTROVALVE 2W ADJ. 24V50-60HZ
17	35515	EV 2 VOIES 24V 50-60HZ NSF	EV 2 WAYS 24V 50-60HZ NSF
18	23751	AXE DE BANJO 1/8	BANJO SCREW
19	28134	JOINT TORIQUE 2X9,5 NEXUS	O RING 2X9,5
20	23752	CORPS DE BANJO 1/8	BANJO BODY FOR UNIT HEAD
20	23752NI	CORPS DE BANJO 1/8 NSF	BANJO BODY FOR UNIT HEAD NSF
21	26521	SONDE DE NIVEAU HAUT	HIGH LEVEL PROBE
21	26521NI	SONDE DE NIVEAU HAUT NSF	HIGH LEVEL PROBE NSF
22	28720T	JOINT PLAT PTFE	PTFE FLAT GSKET
23	29053	RONDELLE ISOLATION CHAUDIERE	BOILER INSULATION WASHER



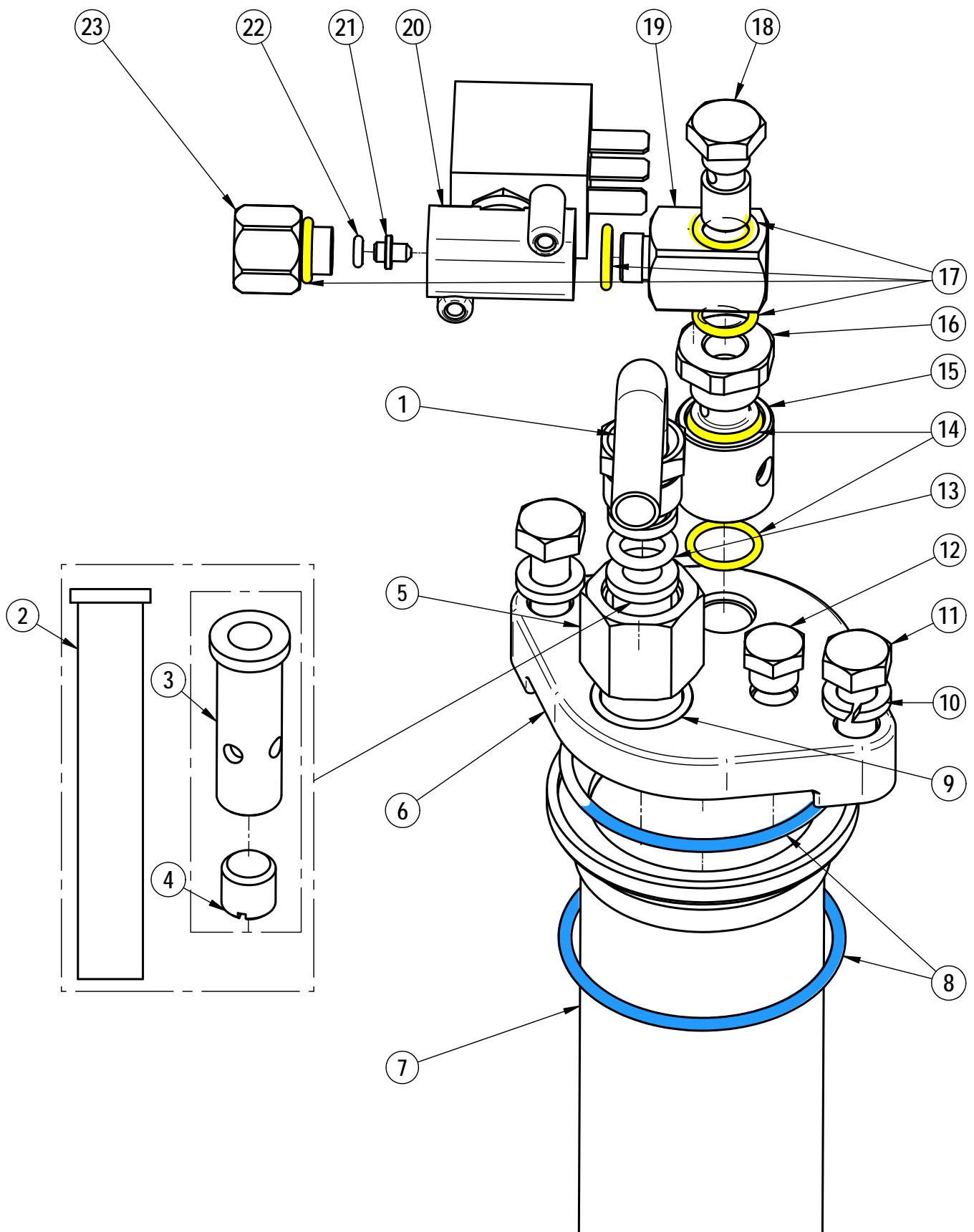
PLANCHE/PLATE : 340

REP	REF	DESIGNATIONS	DESIGNATIONS
1	50406	VIS H M8X25 INOX	S.S SCREW M8X25
2	CV-3	VIS TH M8 x 20 INOX	S.STEEL SCREW M8 x 20
3	RR-83	RONDELLE GROVER DE 8	WASHER 8
4	CN342	VIS INOX TC 4 x 6	SCREW M4 X 6
5	CN305	RONDELLE EN LAITON M3	BRASS RING M3
6		ELEMENT CHAUFFANT	HEATING ELEMENT
A	29812	ELEMENT CHAUFFANT 230V4000W	HEATING ELEMENT 230V 4000W
A	29812NI	ELEMENT CHAUFFANT 230V 4000W NSF	HEATING ELEMENT 230V 4000W NSF
B	29813	ELEMENT CHAUFFANT 230V 6555W	HEATING ELEMENT 230V 6555W
B	29813NI	ELEMENT CHAUFFANT 230V 6555W NSF	HEATING ELEMENT 230V 6555W NSF
7	CV-20	JOINT TORIQUE 3,53X66,68 FKM	GASKET - 66.68 x 3.53
8	29060	CHAUDIERE	BOILER
8	29060NI	CHAUDIERE NSF	BOILER NSF
9	29070	CHAUDIERE INTERNE	INTERNAL BOILER
9	29070NI	CHAUDIERE INTERNE NSF	INTERNAL BOILER NSF
10	27839	JOINT TORIQUE 2,62 X 53,64 NEXUS	O RING 2,62 X 53,64
11	29611	BRIDE	FLANGE BOILER
11	29611NI	BRIDE NSF	FLANGE BOILER NSF
12	34202	THERMOSTAT SECURITE 160C TRI UL	THERMOSTAT 160C UL
13	29815	CACHE RESISTANCE	INSULATOR BOOT



PLANCHE/PLATE : 350

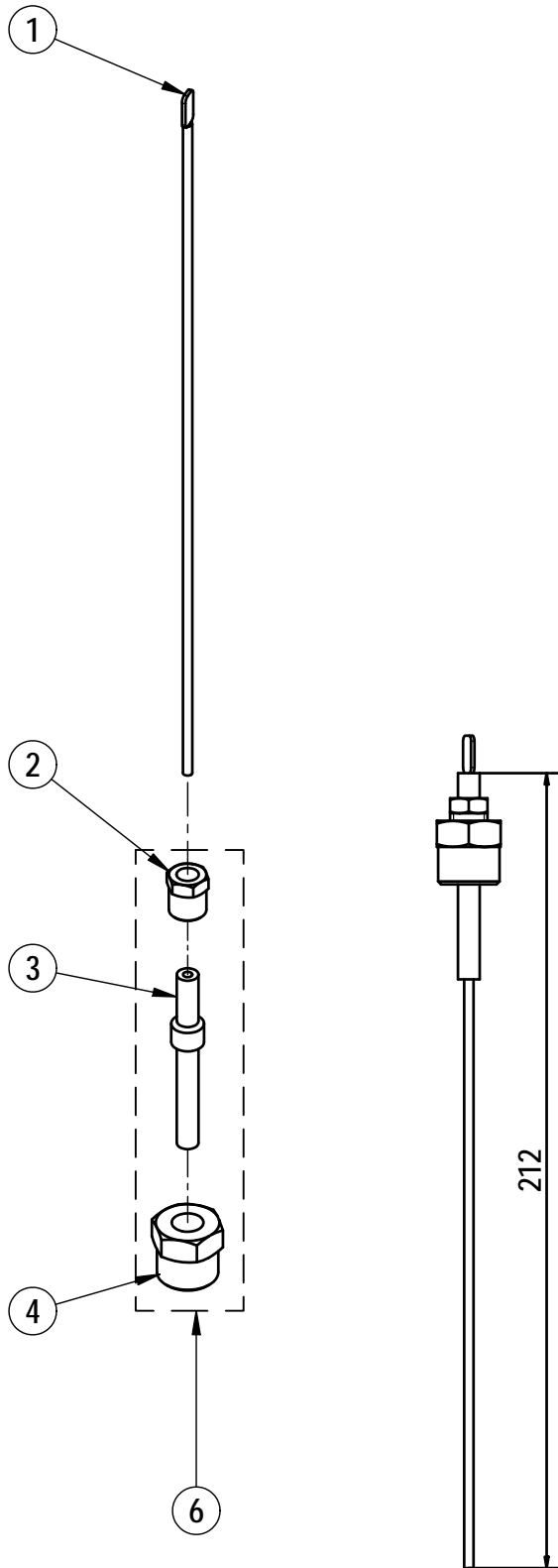
REP	REF	DESIGNATIONS	DESIGNATIONS
		TUBE DOSEUR DUO	DUO METERING UNIT PIPE
1	FR6042	TUBE DOSEUR DROIT	RIGHT METERING UNIT PIPE
1	FR6042NI	TUBE DOSEUR DROIT NSF	RIGHT METERING UNIT PIPE NSF
1	FR6043	TUBE DOSEUR GAUCHE	LEFT METERING UNIT PIPE
1	FR6043NI	TUBE DOSEUR GAUCHE NSF	LEFT METERING UNIT PIPE NSF
		TUBE DOSEUR SOLO / UNO	SOLO / UNO METERING UNIT PIPE
1	FR6061	TUBE DOSEUR	METERING UNIT PIPE
1	FR6061NI	TUBE DOSEUR NSF	METERING UNIT PIPE NSF
		TUBE ALIMENTATION DUO	DUO FEEDING PIPE
2	DV4000	TUBE TEFLON ALIM. GROUPE L:72	UNIT FEEDING TUBE
2	FR4170	TUBE TEFLON ALIM. GROUPE L:150	UNIT FEEDING TUBE L150
		TUBE ALIMENTATION SOLO / UNO	SOLO / UNO FEEDING PIPE
3	FR4180	TUBE TEFLON ALIM. GROUPE L:36	UNIT FEEDING TUBE L36
4	DV-88	BOUCHON	PLUG
5	20964	RACCORD 3/8M 1/2F	CONNECTION 3/8M 1/2F
5	20964NI	RACCORD 3/8M 1/2F NSF	CONNECTION 3/8M 1/2F NSF
6	29611	BRIDE	FLANGE BOILER
6	29611NI	BRIDE NSF	FLANGE BOILER NSF
7	29070	CHAUDIERE INTERNE	INTERNAL BOILER
7	29070NI	CHAUDIERE INTERNE NSF	INTERNAL BOILER NSF
8	28720T	JOINT PLAT PTFE	PTFE FLAT GASKET
9	27716	JOINT TORIQUE 1,78 X 17.17 FKM	GASKET 1,78 X 17.17
10	RR-83	RONDELLE GROVER DE 8	WASHER 8
11	50406	VIS H M8X25 INOX	S.S SCREW M8X25
12	21100	BOUCHON 1/8	PLUG 1/8
12	21100NI	BOUCON 1/8 NSF	PLUG 1/8 NSF
13	CH-17	JOINT CUIVRE RECUIT 1/2	WASHER - COPPER - 1/2
14	27796	JOINT TORIQUE 1,78 X 12,42 NEXUS	O RING 1.78 X 12,42
		TUBE GROUPE CAFE DUO	DUO EV COFFEE PIPE
15	FR6004	TUBE GROUPE CAFE DROIT	RIGHT EV COFFEE PIPE
15	FR6004NI	TUBE GROUPE CAFE DROIT NSF	RIGHT EV COFFEE PIPE NSF
15	FR6005	TUBE GROUPE CAFE GAUCHE	LEFT EV COFFEE PIPE
15	FR6005NI	TUBE GROUPE CAFE GAUCHE NSF	LEFT EV COFFEE PIPE NSF
		TUBE GROUPE CAFE SOLO / UNO	SOLO / UNO EV COFFEE PIPE
15	FR6052	TUBE GROUPE CAFE	EV COFFEE PIPE
15	FR6052NI	TUBE GROUPE CAFE NSF	EV COFFEE PIPE NSF
16	23763	AXE BANJO 1/4M - 1/8F	BANJO SCREW 1/4M 1/8F
16	23763NI	AXE BANJO 1/4M - 1/8F NSF	BANJO SCREW 1/4M 1/8F NSF
17	28134	JOINT TORIQUE 2X9,5 NEXUS	O RING 2X9,5
18	23751	AXE DE BANJO 1/8	BANJO SCREW
19	23752	CORPS DE BANJO 1/8	BANJO BODY FOR UNIT HEAD
19	23752NI	CORPS DE BANJO 1/8 NSF	BANJO BODY FOR UNIT HEAD NSF
20	35500	ELECTROVANNE 2 VOIES 24V D2.3	ELECTROVALVE 2 WAYS 24V D2,3
20	35505	ELECTROVANNE 2 VOIES	2 WAYS ELECTROVALVE
21	23117	GICLEUR DIAM:0,7	JET DIAM. 0.7
22	TC-80	JOINT TORIQUE 1,78X2,90 FKM	GASKET 1.78X2.90 FKM
23	FR4069	RACCORD 1/8M M8 X 100	FITTING 1/8M M8 X 100



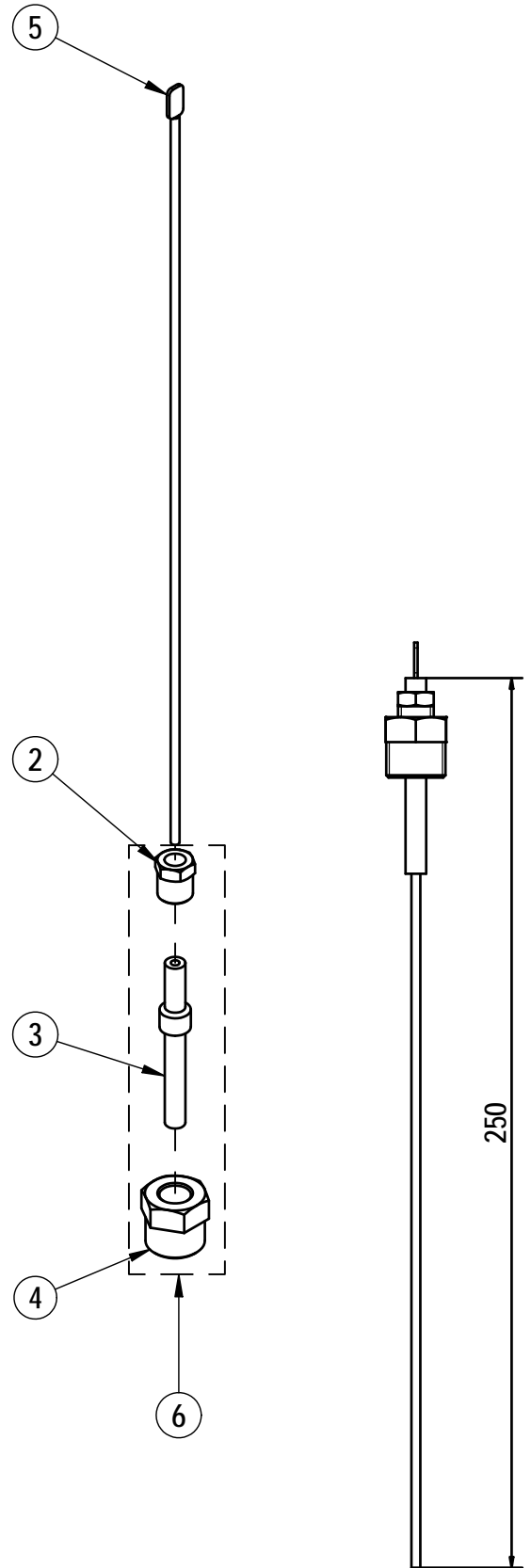
PLANCHE/PLATE : 360

REP	REF	DESIGNATIONS	DESIGNATIONS
1	26525	SONDE DE NIVEAU L=212	LEVEL PROBE L=212
2	NA-70	BLOCAGE ELECTRODE NIVEAU AUTO	LEVEL PROBE COMPRESSION NUT
3	NA-71	PORTE-ELECTRODE EN TEFLON	LEVEL PROBE INSULATION
4	NA-69A	PORTE SONDE EN LAITON	PROBE HOLDER CONNECTION
4	NA-69ANI	PORTE SONDE EN LAITON NSF	PROBE HOLDER CONNECTION NSF
5	26520	SONDE DE NIVEAU L=250	LEVEL PROBE
6	26502	ENSEMBLE NIVEAU SONDE 3/8	LEVEL PROBE 3/8 SET

26521 / 26521NI
SONDE DE NIVEAU HAUT /
HIGH LEVEL PROBE

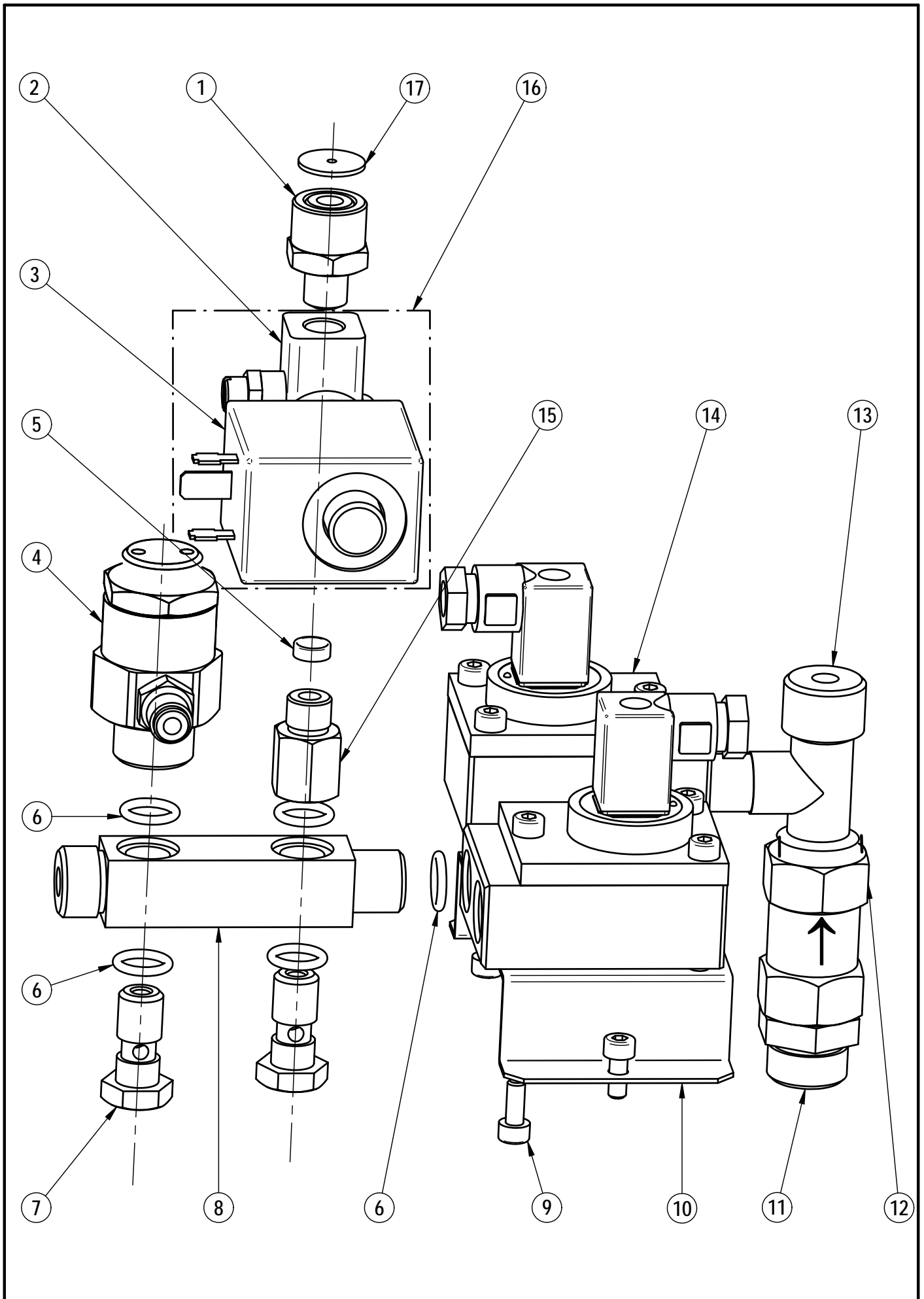


26522 / 26522NI
SONDE DE NIVEAU BAS /
LOW LEVEL PROBE



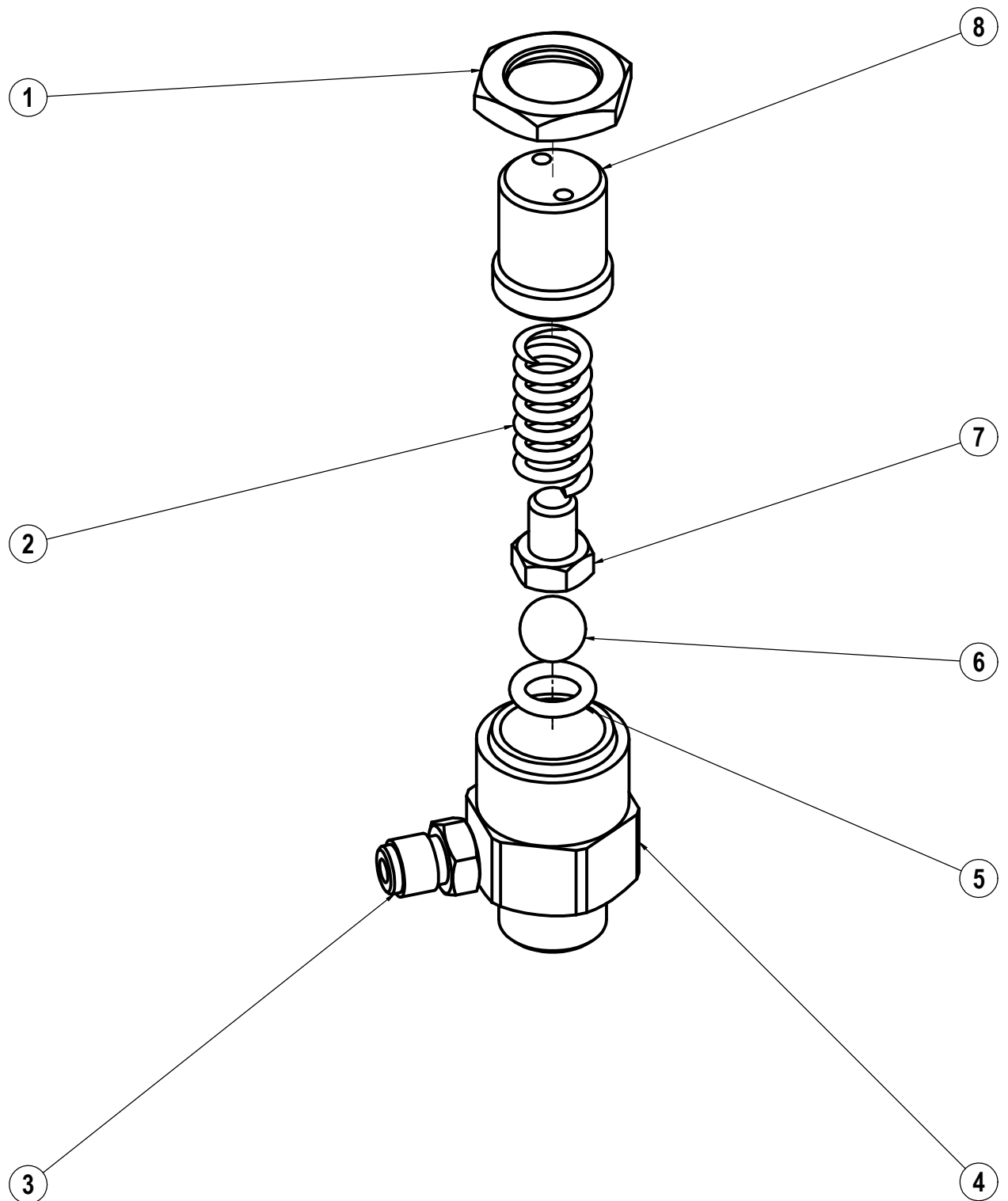
PLANCHE/PLATE : 380

REP	REF	DESIGNATIONS	DESIGNATIONS
1	R-100	RACCORD LAITON	CONNECTION
1	R-100NI	RACCORD LAITON NSF	CONNECTION NSF
2	CN-631W	ELECTROVANNE 2V REG SANS BOBINE	ELECTROVALVE 2W ADJ WITHOUT COIL
3	35012	BOBINE 24V	SOLENOID COIL 24V
4	DO-191	SOUPAPE H.P. COMPLETE	COMPLET H.P. VALVE
4	DO-191NI	SOUPAPE H.P. COMPLETE NSF	COMPLET H.P. VALVE NSF
5	25400	FILTRE INOX	FILTER
6	28104	JOINT TORIQUE 2X9,5 FKM 80SH	GASKET 2X9,5
7	23751	AXE DE BANJO 1/8	BANJO SCREW
8	20403	RACCORD NOURRICE 3/8M-1/4M	FITTING 3/8M-1/4M
8	20403NI	RACCORD NOURRICE 3/8M-1/4M NSF	FITTING 3/8M-1/4M NSF
9	PE-59	VIS TCHC M4x10 INOX	SCREW 4 X 10
10	FR2020	TOLE SUPPORT DOSEURS	DOSERS HOLDER
11	CN-347A	RACCORD D'ALIM. 3/8 - 3/8 MM	FITTING - 3/8 X 3/8 -
11	CN-347ANI	RACCORD D'ALIM. 3/8 - 3/8 MM NSF	FITTING - 3/8 X 3/8 - NSF
12	CN-663	CLAPET ANTI RETOUR COMPACT	VALVE - NON-RETURN
12	26305	CLAPET ANTI RETOUR 1/8 NSF	NON RETURN VALVE 1/8 NSF
13	CN-539	TE LAITON 2 fois 3/8 x 1/4	TEE 3/8-3/8-1/4
13	CN-539NI	TE LAITON 2 fois 3/8 x 1/4 NSF	TEE 3/8-3/8-1/4 NSF
14	CN-648	COMPTEUR VOLUMETRIQUE	WHOLE W.DOSING DEVICE
15	DV6014	TUBE CUIVRE MANOMETRE HP	PIPE HP MANOMETER
15	DV6014NI	TUBE CUIVRE MANOMETRE HP NSF	PIPE HP MANOMETER NSF
16	CN-631R	ELECTROVANNE 2V REG 24V50-60HZ	ELECTROVALVE 2W ADJ. 24V50-60HZ
16	35515	EV 2 VOIES 24V 50-60HZ	EV 2 WAYS 24V 50-60HZ
17	ID-98	JOINT CUIVRE GICLEUR D1.7X14.5	JET COPPER GASKET D1.7X14.5



PLANCHE/PLATE : 410

REP	REF	DESIGNATIONS	DESIGNATIONS
1	DO-190	CONTRE ECROU M18 X 100	NUT M18 X 100
1	DO-190NI	CONTRE ECROU M18 X 100 NSF	NUT M18 X 100 NSF
2	RO-14	RESSORT F20/10L26.5 D13 P5	SPRING
3	MI-36	RACCORD 1/8M 1/8M	CONNECTION 1/8
3	MI-36NI	RACCORD 1/8M 1/8M NSF	CONNECTION 1/8 NSF
4	DO-187	CORPS DE SOUPEPE	VALVE BODY
4	DO-187NI	CORPS DE SOUPEPE NSF	VALVE BODY NSF
5	PH-83	JOINT TORIQUE 2.62 X 9.19 PTFE	O RING 2.62 X 9.19 PTFE
6	PC-14	BILLE INOX POLIE DE 11	STAINLESS STEEL BALL DIA 11
7	DO-188	TIGE DE SOUPEPE	VALVE PISTON
7	DO-188NI	TIGE DE SOUPEPE NSF	VALVE PISTON NSF
8	DO-189	ECROU DE SOUPEPE	VALVE NUT
8	DO-189NI	ECROU DE SOUPEPE NSF	VALVE NUT NSF



SOUPAPE HP COMPLETE / WHOLE HP VALVE : DO-191

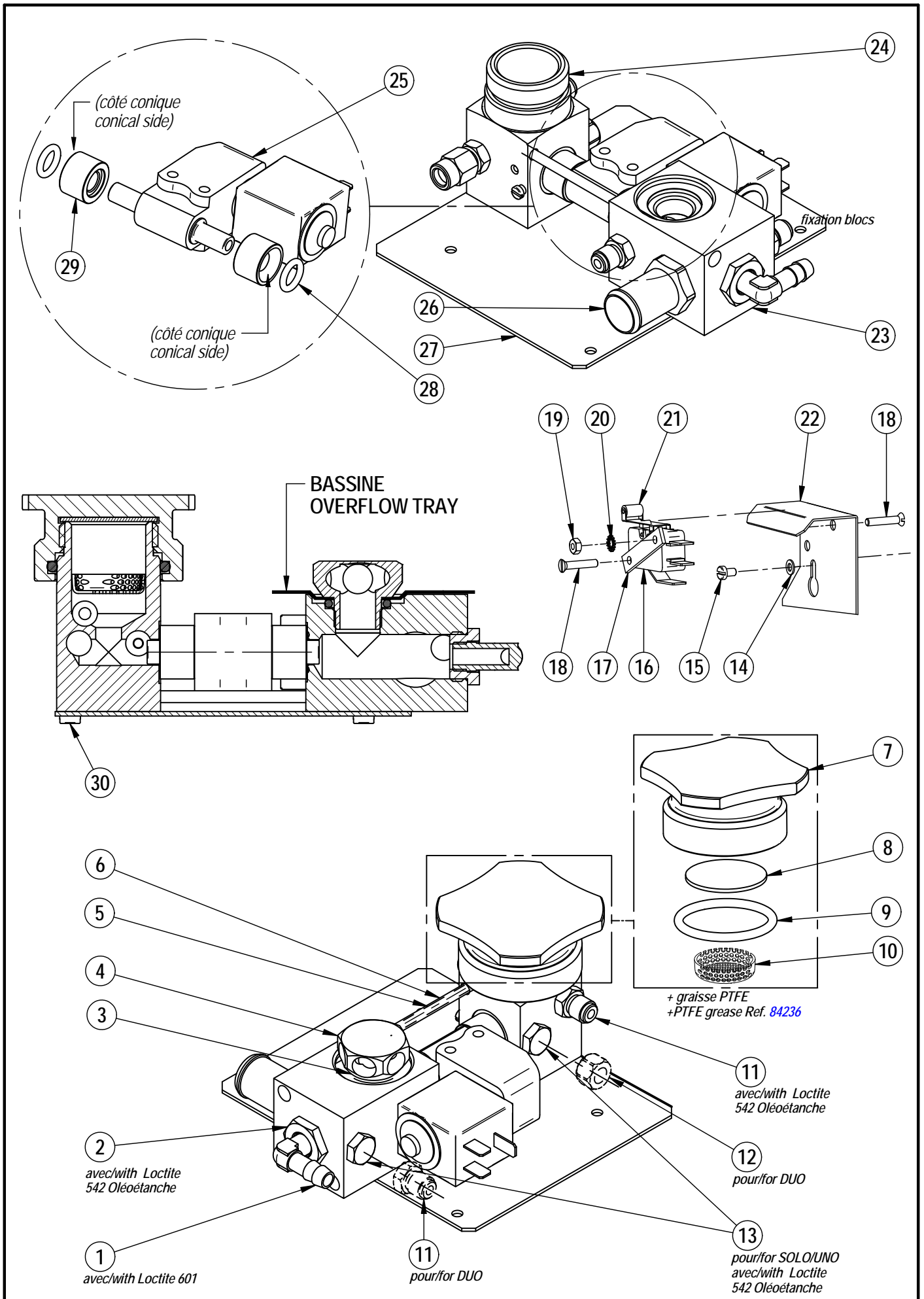
11/07

SOUPAPE HAUTE PRESSION
HIGH PRESSURE VALVE

UNIC 410

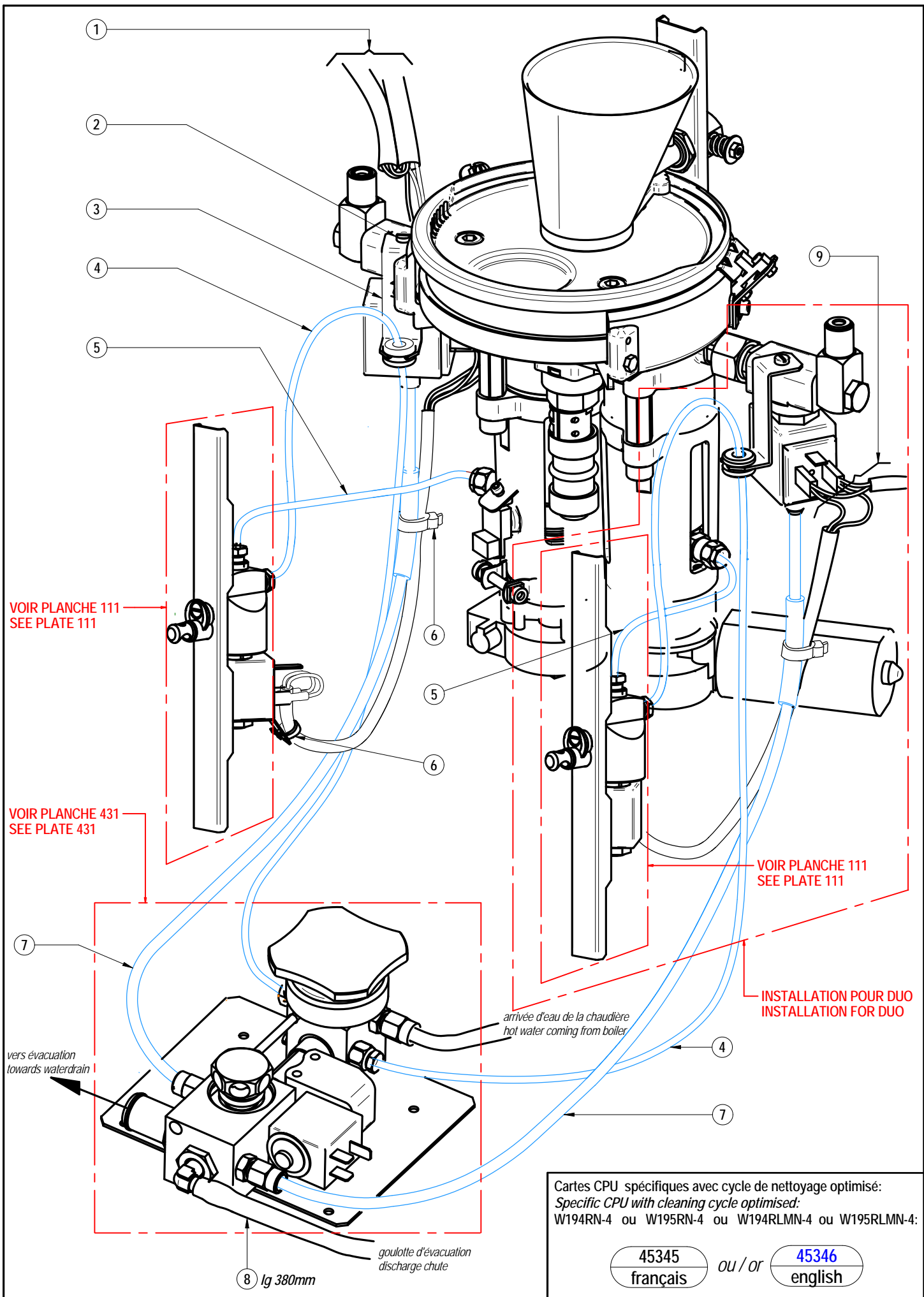
PLANCHE/PLATE : 431

REP	REF	DESIGNATIONS	DESIGNATIONS
1	21456	RACCORD TETINE 1/8M D7	FITTING 1/8M D7
2	FR4213	REDUCTION 3/8" 1/8"	REDUCTION 3/8" 1/8"
2	FR4213NI	REDUCTION 3/8" 1/8" NSF	REDUCTION 3/8" 1/8" NSF
3	CN-45	JOINT TORIQUE 2,62X17,13	GASKET - 17,13 X 2,62
4	B-53	ECROU CHROME BLOCAGE BASSINE	OVERFLOW-TRAY LOCK NUT
5	50110	VIS Chc M4 X 90	SCREW M4 X 90
6	FR4216	ENTRETOISE D6X1	SPACER D6X1
7	FR4038	BOUCHON DU NETTOYAGE	CLEANING CAP
8	28700	JOINT PLAT DU BOUCHON	GASKET
9	27907	JOINT TORIQUE 3.53 X 34.52 EPDM	GASKET 3.53 X 34.52 EPDM
10	FR2135	GRILLE DU BLOC PASTILLE	GRID
11	MI-36	RACCORD 1/8M 1/8M	CONNECTION 1/8
11	MI-36NI	RACCORD 1/8M 1/8M NSF	CONNECTION 1/8 NSF
12	FR4049	RACCORD 1/8M M8 X 100	FITTING 1/8M M8 X 100
12	FR4049NI	RACCORD 1/8M M8 X 100 NSF	FITTING 1/8M M8 X 100 NSF
13	21100	BOUCHON 1/8	PLUG 1/8
13	21100NI	BOUCON 1/8 NSF	PLUG 1/8 NSF
14	CN-108	RONDELLE LAITON Z3	WASHER
15	CN-175	VIS TC M3 X 5 INOX	SCREW M3 X 5
16	CN-642	MINIRUPTEUR F=300GR FLASHE OR	MICROSWITCH
17	CN-37	PATTE INOX FIXATION MINIRUPT.	MICROSWITCH HOLDING BAR
18	AE-28	VIS TF M3 X 16	SCREW M3 X 16
19	PG-49	ECROU INOX Hu DE 3	NUT M3
20	CN-342	RONDELLE EVENTAIL 3	WASHER 3
21	CN-620	LEVIER AV.RESSORT 161E r=24,1	LEVER WITH CASTOR
22	FR2001	TOLE MICROSWITCH	MICROSWITCH HOLDER
23	FR4210	BLOC VIDANGE 40X40	BLOCK DRAIN
23	FR4210NI	BLOC VIDANGE 40X40 NSF	BLOCK DRAIN NSF
24	FR4035	BLOC PASTILLE	CLEANING BLOC
24	FR4035NI	BLOC PASTILLE NSF	CLEANING BLOC NSF
25	35550	ELECTROVANNE N.O 24V 50HZ	ELECTROVALVE N.O 24V 50HZ
25	35560	ELECTROVANNE N.O 24V 60HZ UL	ELECTROVALVE N.O 24V 60HZ UL
26	FR4211	TETINE LATERALE D'EVACUATION	NIPPLE DISCHARGE SIDE
27	FR2006	TOLE SUPPORT COLLECTEURS	COLLECTOR HOLDER
28	27821	JOINT TORIQUE 1.78 X 12.42	O-RING 1.78 X 12.42
29	FR4212	RACCORD LISSE	SMOOTH FITTING
30	RO-13	VIS INOX TC 4 x 10	SCREW M4 X 10 -



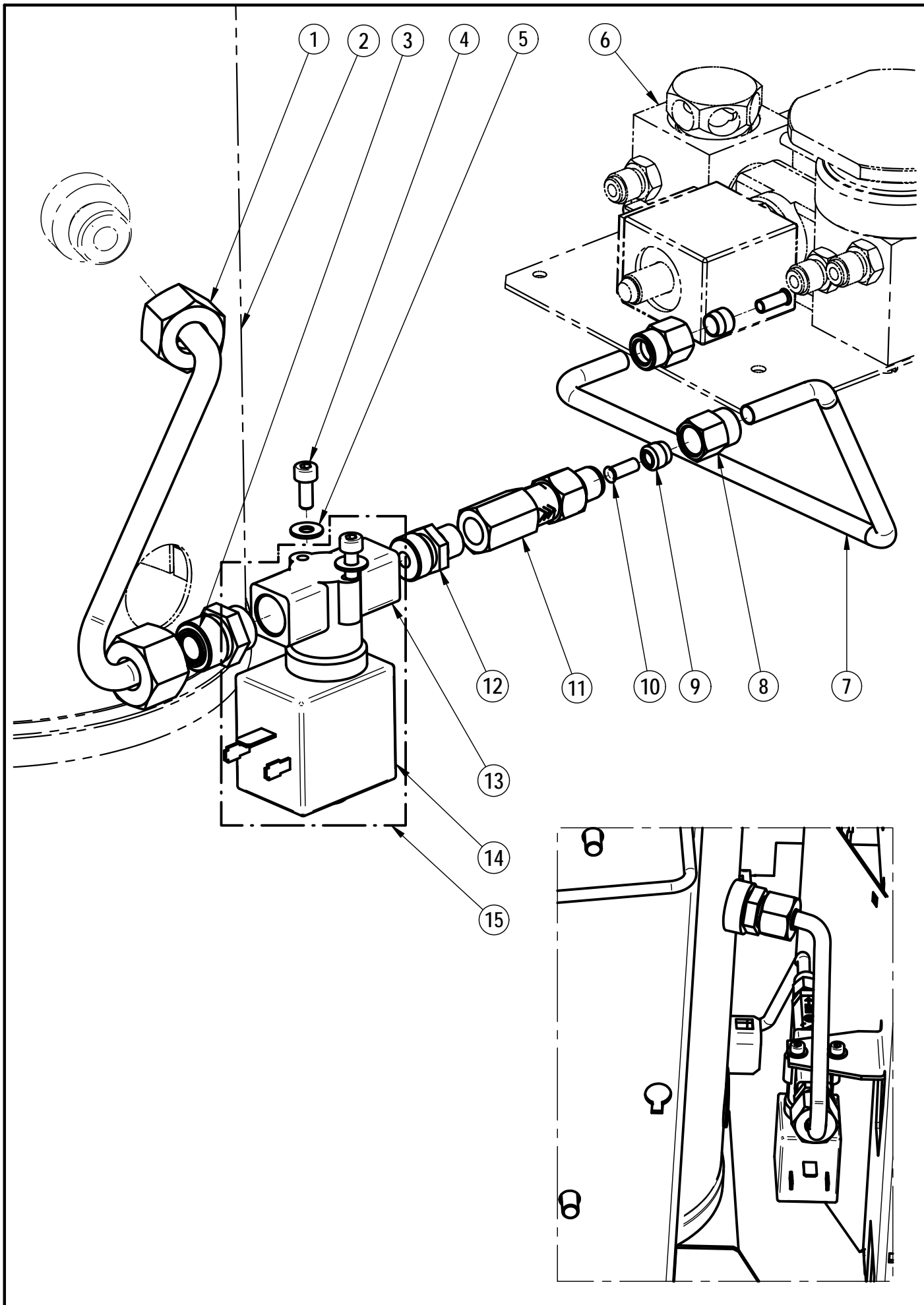
PLANCHE/PLATE : 445

REP	REF	DESIGNATIONS	DESIGNATIONS
1	FR8075	CABLE DE COMMANDE G	CONTROL CABLE LEFT
2	FR4219	VIS IMPERDABLE	CAPTIVE SCREW
3	FR2099	SUPPORT FLEXIBLE DE DETERGENT	DETERGENT FLEX HOLDER
4	FR6521	TUBE DETERGENT	DETERGENT PIPE
5	FR6520	TUBE CAFE lg 238 mm	COFFEE PIPE length 238 mm
5	FR6520NI	TUBE CAFE lg 238 mm NSF	COFFEE PIPE length 238 mm NSF
6	MI-71	COLLIER INCOLORE 150 X 3,5mm	COLOURLESS COLLAR 150 x 3,5mm
7	FR6525	TUBE DE DECOMPRESSION L 400MM	DISCHARGE PIPE L 400MM
7	FR6526	TUBE DE DECOMPRESSION L 430MM	DISCHARGE PIPE L 430MM
8	12704	TUBE SILICONE 7X10	SILICONE PIPE 7X10
9	FR8076	CABLE DE COMMANDE D	CONTROL CABLE RIGHT



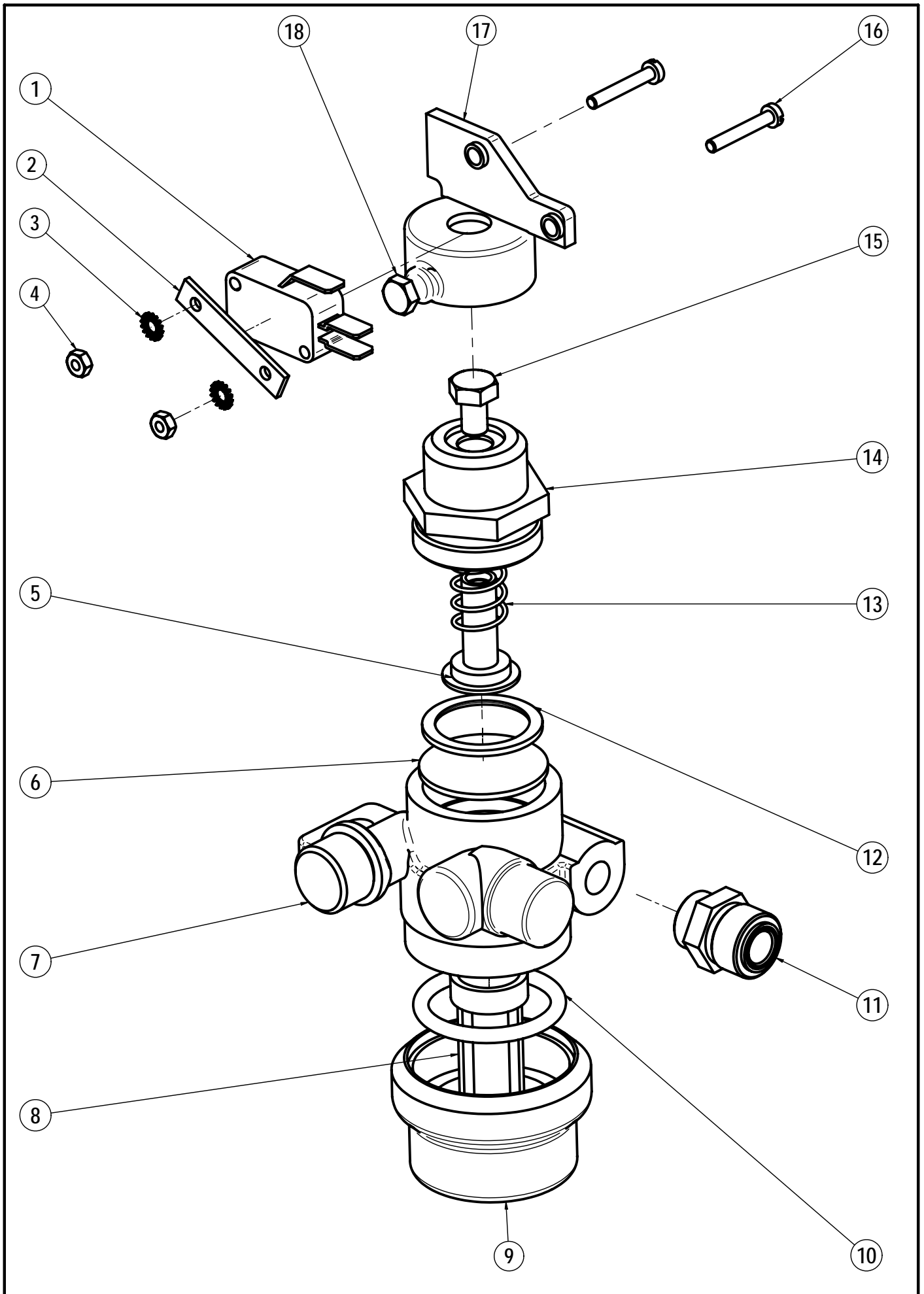
PLANCHE/PLATE : 450

REP	REF	DESIGNATION	DESIGNATIONS
1	FR6035	TUBE ALIMENTATION EV NETTOYAGE GROUPE	CLEANING EV FEEDING PIPE
1	FR6035NI	TUBE ALIM EV NETTOYAGE GROUPE NSF	CLEANING EV FEEDING PIPE NSF
2	29060	CHAUDIERE	BOILER
2	29060NI	CHAUDIERE NSF	BOILER NSF
3	CN-441A	RACCORD 1/4M-3/8M	CONNECTION 1/4-3/8
3	CN-441ANI	RACCORD 1/4M-3/8M NSF	CONNECTION 1/4-3/8 NSF
4	PE-59	VIS TCHC M4x10 INOX	SCREW 4 X 10
5	PG-15B	RONDELLE INOX 4.2X10X0.8	WASHER
6		VOIR PLANCHE 431	SEE PLATE 431
7	FR6012	TUBE ALIMENTATION BLOC PASTILLE	CLEANING DEVICE FEEDING PIPE
7	FR6012NI	TUBE ALIMENTATION BLOC PASTILLE NSF	CLEANING DEVICE FEEDING PIPE NSF
8	MI-34	ECROU LAITON 1/8"	COMPRESSION NUT - 1/8
9	MI-35	BAGUE DE SERRAGE LAITON	NIPPLE
9	MI-35NI	BAGUE DE SERRAGE LAITON NSF	NIPPLE NSF
10	DV-91	INSERT	SLEEVE
10	DV-91NI	INSERT NSF	SLEEVE NSF
11	26301	CLAPET ANTI-RETOUR 1/8	NO RETURN VALVE 1/8
11	26305	CLAPET ANTI RETOUR 1/8 NSF	NON RETURN VALVE 1/8 NSF
12	MI-18	RACCORD MM 1/4 - 1/8 G.	FITTING - 1/8 x 1/4
12	MI-18NI	RACCORD MM 1/4 - 1/8 G. NSF	FITTING - 1/8 x 1/4 NSF
13	CN-245W	ELECTROVANNE 2 V. SANS BOBINE	ELECTROVALVE 2W WITHOUT COIL
14	35012	BOBINE 24V	SOLENOID COIL 24V
15	CN-245R	ELECTROVANNE 2V 24V	ELECTROVALVE 2W 24V
15	35510	EV 2 VOIES 24V	ELECTROVALVE 2 WAYS 24V



PLANCHE/PLATE : 460

REP	REF	DESIGNATIONS	DESIGNATIONS
1	CN-642	MINIRUPTEUR F=300GR FLASHE OR	MICROSWITCH
2	CN-37	PLAQUETTE MINIRUPT.	TAPER MICROSWITCH HOLDING BAR
3	CN-342	RONDELLE EVENTAIL DE 3	WASHER 3
4	PG-49	ECROU INOX HU DE 3	NUT 3
5	PB-88	PISTON	PISTON
6	PA-60	MEMBRANE DIAM. 30	MEMBRANE DIA.30
6	PA-60A	MEMBRANE DIAM. 30 NSF	MEMBRANE DIA.30 NSF
7	FR4037	BLOC FILTRE SECURITE EAU	WATER SAFETY BODY
7	FR4037NI	BLOC FILTRE SECURITE EAU NSF	WATER SAFETY BODY NSF
8	CN-96B	CARTOUCHE POUR FILTRE 80 MIC	FILTER CARTRIDGE 80 MICRONS
9	FR4095	CUVE FILTRE LAITON	BRASS WATER SAFETY DISK
9	FR4095NI	CUVE FILTRE LAITON NSF	BRASS WATER SAFETY DISK NSF
10	83501	JOINT DE CUVE BAS DE FILTRE	GASKET
11	CN-441A	RACCORD 1/4M-3/8M	CONNECTION 1/4-3/8
11	CN-441ANI	RACCORD 1/4M-3/8M NSF	CONNECTION 1/4-3/8 NSF
12	PB-89	RONDELLE POUR MEMBRANE	TIGHTENING WASHER
13	CN-679	RESSORT SECU. EAU D13 P5 L30	SPRING
14	PB-98	EMBOUT	FITTING
15	51255	VIS TH M6 x 10 INOX	SCREW M6 X 10
16	CN-31	VIS TC M3 X 20 INOX	SCREW M3 X 20
17	CN-362	SUPPORT ALU POUR MINIRUPTEUR	MICROSWITCH HOLDER
18	50204	VIS TH M5 x 10 INOX	SCREW M5 X 10



05/05

SECURITE MANQUE D'EAU
NO-WATER SAFETY

UNIC

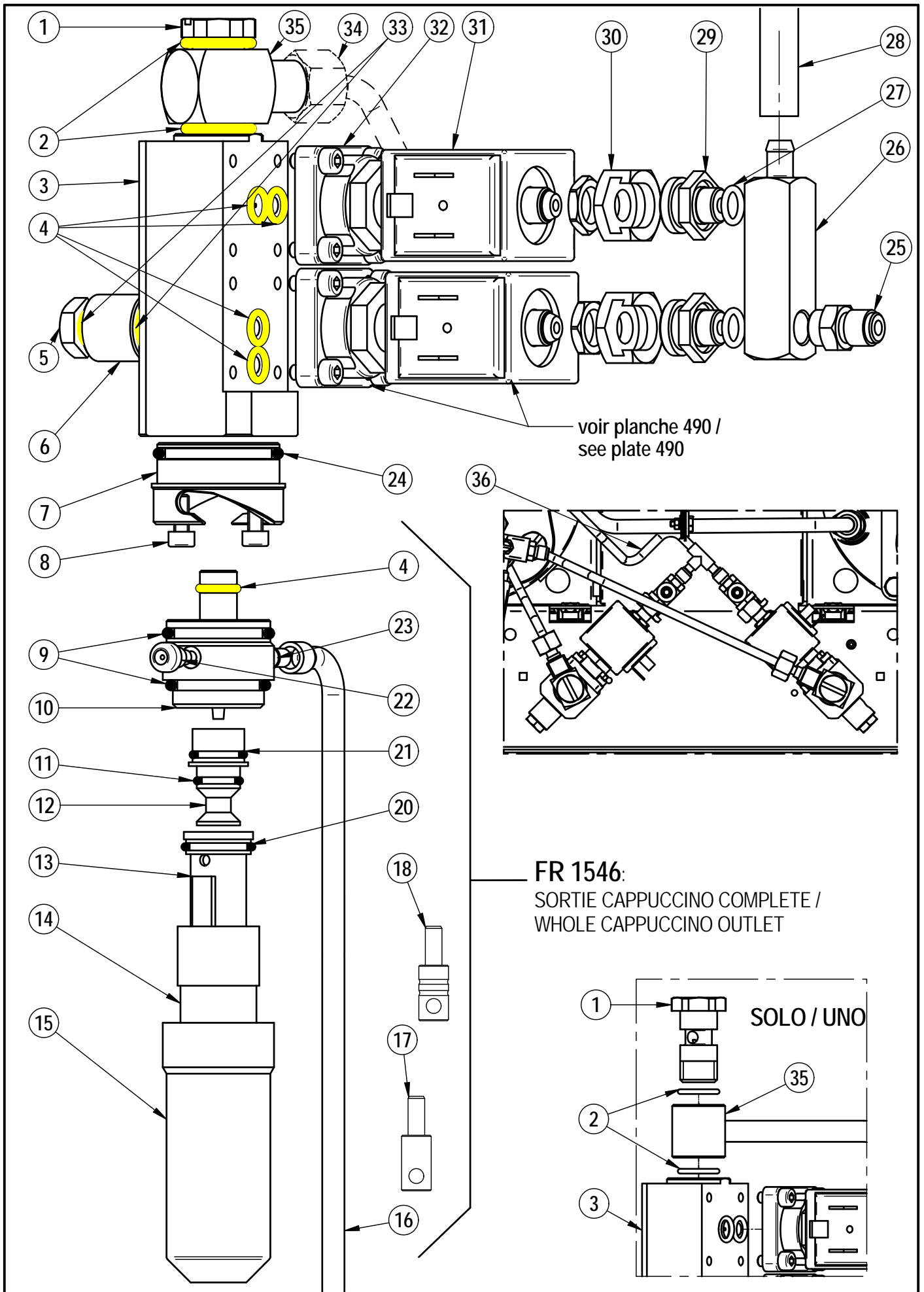
460

PLANCHE/PLATE : 470

REP	REF	DESIGNATIONS	DESIGNATIONS
1	23760	AXE BANJO 1/4	BANJO SCREW 1/4
2	27796	JOINT TORIQUE 1,78 X 12,42 NEXUS	O RING 1.78 X 12,42
3	FR4082	SUPPORT EV CAPPUCCINO	EV HOLDER
4	27737	JOINT TORIQUE 1,78 X 6,07 NEXUS	O RING 1.78 X 6,07
5	23751	AXE DE BANJO 1/8	BANJO SCREW
		TUBE REGULATION DUO	DUO REGULATION PIPE
6	FR6016	TUBE REGULATION CAPPUCCINO DROIT	RIGHT CAPPUCCINO REGULATION PIPE
6	FR6017	TUBE REGULATION 2 CAPPUCCINO	DOUBLE CAPPUCCINO REGULATION PIPE
6	FR6018	TUBE REGULATION CAPPUCCINO GAUCHE	LEFT CAPPUCCINO REGULATION PIPE
		TUBE REGULATION SOLO/UNO	SOLO/UNO REGULATION PIPE
6	FR6018	TUBE REGULATION CAPPUCCINO GAUCHE	LEFT CAPPUCCINO REGULATION PIPE
7	FR4081	ENTRETOISE CAPPUCCINO	INTERFACE
8	PE-59	VIS TCHC M4x10 INOX	SCREW 4 X 10
9	PH-17	JOINT TORIQUE 2,62X20,63 EPDM	GASKET 20,63 X 2,62
10	FR4080	CORPS CAPPUCCINO	BODY
11	27715	JOINT TORIQUE 1,78X8,73 SILICONE	GASKET 8,73 X 1,78
12	26174	MELANGEUR	MIXER
13	26149	MOUSSEUR	FROTHER
14	26148	BRISE JET	ANTI PLASH PLUG
15	26171	BEC VERSEUR	SPOUT
16	12708	TUBE SILICONE CAPPUCCINATORE L	CAPPUCCINATORE SILICON PIPE
17	26151	REDUCTEUR CAPPUCCINATORE D1.7	CAPPUCCINATORE REDUCER D1.7
18	26152	REDUCTEUR CAPPUCCINATORE D2	CAPPUCCINATORE REDUCER D2
19*	26124	GOUPILLON NETTOYAGE	CLEANING BRUSH
20	27714	JOINT TORIQUE 1,78 X 15.6 SILICONE	GASKET 15.6 X 1,78
21	CN-2850	JOINT TORIQUE 1,78X10,82	GASKET 10.82x1.78
22	FR4078	INJECTEUR AIR	GICLUER
23	FR4079	EMBOUT M6	SCREW M6
24	RR-32B	JOINT TORIQUE 2,62X26,64 EPDM	ROUND RING 26,64 x 2,62 - 75
25	20950	ECROU 1/8M POUR GIGLEUR	FITTING 1/8M FOR GICLUER
26	FR4083	NOURRICE NETTOYAGE	CLEANING FITTING
27	CN 436	JONT TORIQUE 1,78 X 8,73 EPDM	GASKET 1,78 X 8,73
28	12707	TUBE SILICONE 6 X 9	SILICONE PIPE 6X 9
29	FR4084	RACCORD 1/8M SORTIE EV	FITTING 1/8
30	24452	ECROU 1/8F FENDU	NUT 1/8M
31	35012	BOBINE 24V	SOLENOID COIL 24V
32	35021	ELECTROVANNE 3 V. D3 SANS BOB	ELECTROVALVE 3W WITHOUT COIL
33	28134	JOINT TORIQUE 2X9,5 NEXUS	O RING 2X9,5
		TUBE ALIMENTATION DUO	DUO ALIMENTATION PIPE
34	FR6020	TUBE ALIMENTATION CAPPU. DROIT	RIGHT CAPPUCCI. DEVICE FEEDING PIPE
34	FR6029	TUBE ALIMENTATION CAPPUCCINO GAUCHE	LEFT CAPPUCCINO FEEDING PIPE
		TUBE ALIMENTATION SOLO/UNO	SOLO/UNO ALIMENTATION PIPE
34	FR6055	TUBE EV CAPPUCCINO	CAPPUCCINO EV PIPE
35	23761	CORPS DE BANJO 1/4	BANJO BODY 1/4
		TUBE NETTOYAGE DUO	DUO CLEANING PIPE
36	FR6033	TUBE NETTOYAGE CAPPUCCINO DROIT	RIGHT CAPPUCCINO CLEANING PIPE
36	FR6034	TUBE NETTOYAGE CAPPUCCINO GAUCHE	LEFT CAPPUCCINO CLEANING PIPE
36	FR6025	TUBE ALIMENTATION NETTOYAGE 2 CAP	CLEANING 2 CAPPUCCINO FEEDING PIPE
		TUBE NETTOYAGE SOLO/UNO	SOLO/UNO CLEANING PIPE
36	FR6056	TUBE NETTOYAGE CAPPUCCINO	CAPPUCCINO CLEANING PIPE

KIT JOINT / GASKET KIT : FR1617 (9-11-20-21-24)

*: Outil de nettoyage non représenté / cleaning tool not shown

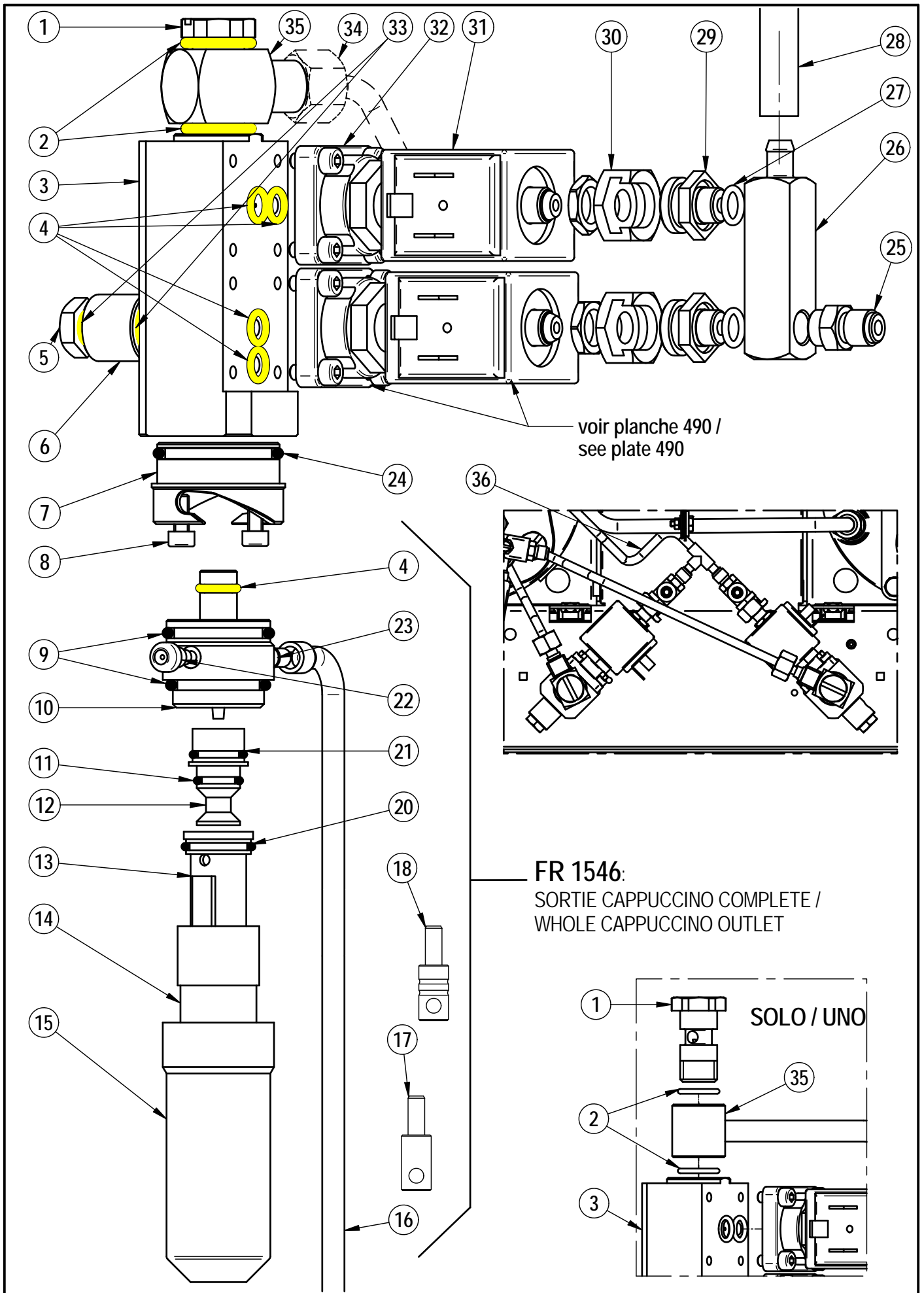


PLANCHE/PLATE : 470 NSF

REP	REF	DESIGNATIONS	DESIGNATIONS
1	23760NI	AXE BANJO 1/4 NSF	BANJO SCREW 1/4 NSF
2	27796	JOINT TORIQUE 1,78 X 12,42 NEXUS	O RING 1.78 X 12,42
3	FR4082NI	SUPPORT EV CAPPUCCINO NSF	EV HOLDER NSF
4	27737	JOINT TORIQUE 1,78 X 6,07 NEXUS	O RING 1.78 X 6,07
5	23751	AXE DE BANJO 1/8	BANJO SCREW
		TUBE REGULATION DUO	DUO REGULATION PIPE
6	FR6016NI	TUBE REGULATION CAPPUCCINO DROIT NSF	RIGHT CAPPUCCINO REGULATION PIPE NSF
6	FR6017NI	TUBE REGULATION 2 CAPPUCCINO NSF	DOUBLE CAPPUCCINO REGULATION PIPE NSF
6	FR6018NI	TUBE REGULATION CAPPUCCINO GAUCHE NSF	LEFT CAPPUCCINO REGULATION PIPE NSF
		TUBE REGULATION SOLO/UNO	SOLO/UNO REGULATION PIPE
6	FR6018NI	TUBE REGULATION CAPPUCCINO GAUCHE NSF	LEFT CAPPUCCINO REGULATION PIPE NSF
7	FR4081	ENTRETOISE CAPPUCCINO	INTERFACE
8	PE-59	VIS TCHC M4x10 INOX	SCREW 4 X 10
9	PH-17	JOINT TORIQUE 2,62X20,63 EPDM	GASKET 20,63 X 2,62
10	FR4080	CORPS CAPPUCCINO	BODY
11	27715	JOINT TORIQUE 1,78X8,73 SILICONE	GASKET 8,73 X 1,78
12	26174	MELANGEUR	MIXER
13	26149	MOUSSEUR	FROTHER
14	26148	BRISE JET	ANTI PLASH PLUG
15	26171	BEC VERSEUR	SPOUT
16	12708	TUBE SILICONE CAPPUCCINATORE L	CAPPUCCINATORE SILICON PIPE
17	26151	REDUCTEUR CAPPUCCINATORE D1.7	CAPPUCCINATORE REDUCER D1.7
18	26152	REDUCTEUR CAPPUCCINATORE D2	CAPPUCCINATORE REDUCER D2
19*	26124	GOUPIILLON NETTOYAGE	CLEANING BRUSH
20	27714	JOINT TORIQUE 1,78 X 15.6 SILICONE	GASKET 15.6 X 1,78
21	CN-2850	JOINT TORIQUE 1,78X10,82	GASKET 10.82x1.78
22	FR4078	INJECTEUR AIR	GICLUER
23	FR4079	EMBOUT M6	SCREW M6
24	RR-32B	JOINT TORIQUE 2,62X26,64 EPDM	ROUND RING 26,64 x 2,62 - 75
25	20950NI	ECROU 1/8M POUR GICLEUR NSF	FITTING 1/8M FOR GICLUER NSF
26	FR4083NI	NOURRICE NETTOYAGE NSF	CLEANING FITTING NSF
27	CN 436	JONT TORIQUE 1,78 X 8,73 EPDM	GASKET 1,78 X 8,73
28	12707	TUBE SILICONE 6 X 9	SILICONE PIPE 6X 9
29	FR4084NI	RACCORD 1/8M SORTIE EV NSF	FITTING 1/8 NSF
30	24452	ECROU 1/8F FENDU	NUT 1/8M
31	35012	BOBINE 24V	SOLENOID COIL 24V
32	35026	ELECTROVANNE 3 VOIES	3 WAYS ELECTROVALVE
33	28134	JOINT TORIQUE 2X9,5 NEXUS	O RING 2X9,5
		TUBE ALIMENTATION DUO	DUO ALIMENTATION PIPE
34	FR6020NI	TUBE ALIMENTATION CAPPU DROIT NSF	RIGHT CAPPUCCINO DEVICE FEEDING PIPE NSF
34	FR6029NI	TUBE ALIMENTATION CAPPU GAUCHE NSF	LEFT CAPPUCCINO DEVICE FEEDING PIPE NSF
		TUBE ALIMENTATION SOLO/UNO	SOLO/UNO ALIMENTATION PIPE
34	FR6055NI	TUBE EV CAPPUCCINO NSF	CAPPUCCINO EV PIPE NSF
35	23761NI	CORPS BANJO 1/4 NSF	BANJO BODY 1/4 NSF
		TUBE NETTOYAGE DUO	DUO CLEANING PIPE
36	FR6033NI	TUBE NETTOYAGE CAPPUCCINO DROIT NSF	RIGHT CAPPUCCINO CLEANING PIPE NSF
36	FR6034NI	TUBE NETTOYAGE CAPPUCCINO GAUCHE NSF	LEFT CAPPUCCINO CLEANING PIPE NSF
36	FR6025NI	TUBE ALIMENTATION NETTOYAGE 2 CAP NSF	CLEANING 2 CAPPUCCINO FEEDING PIPE NSF
		TUBE NETTOYAGE SOLO/UNO	SOLO/UNO CLEANING PIPE
36	FR6056NI	TUBE NETTOYAGE CAPPUCCINO NSF	CAPPUCCINO CLEANING PIPE NSF

KIT JOINT / GASKET KIT : FR1617 (9-11-20-21-24)

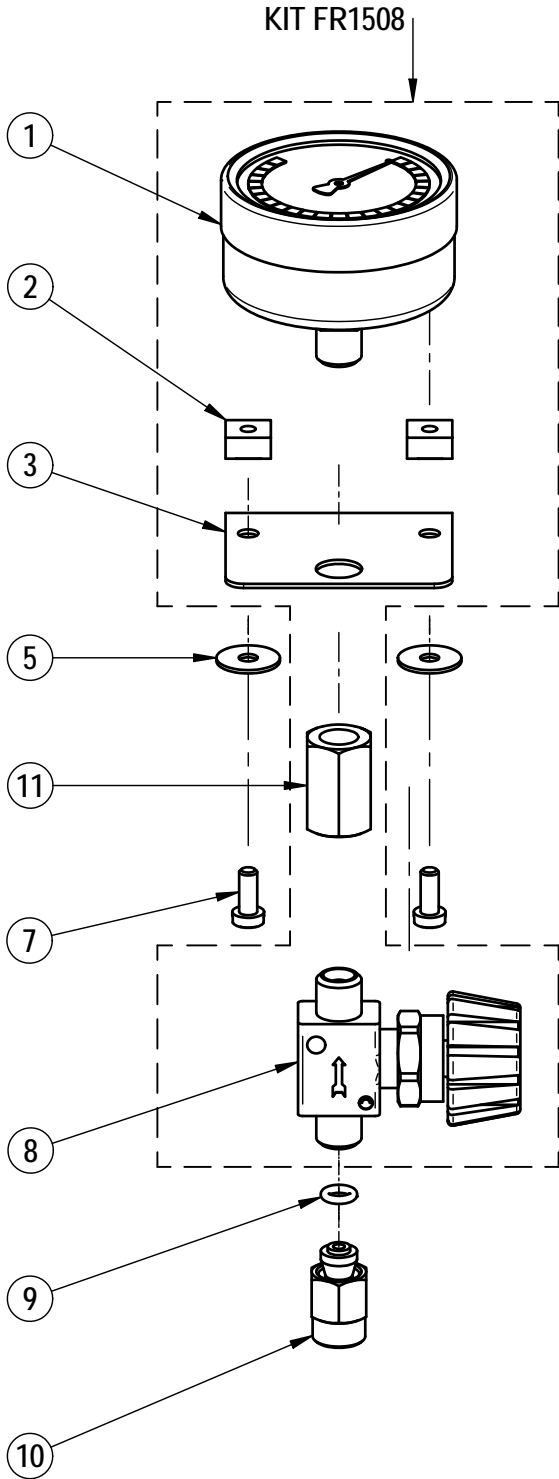
* : Outil de nettoyage non représenté / cleaning tool not shown



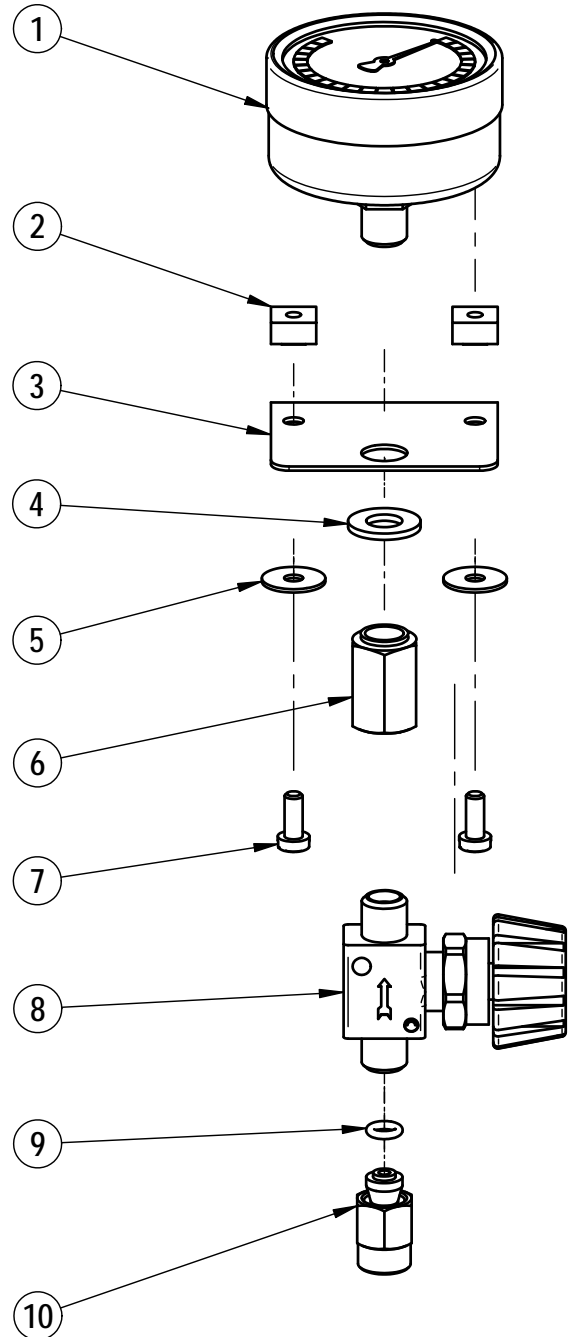
PLANCHE/PLATE : 480

REP	REF	DESIGNATION	DESIGNATIONS
1	M-11	MANOMETRE 25 bar DIAM=50	MANOMETER 25 BAR
2	CN-661	ECROU RAPID M4 EN CAGE /1_1,6	INSERT NUT M4
3	FR2080	TOLE SUPPORT MANOMETRE	MANOMETER HOLDER
4	CH-16	JOINT CUIVRE RECUIT 3/8	WASHER - COPPER - 3/8
5	PG-16	RONDELLE ACIER Zn 4,25x14x0,8	WASHER
6	CN-685	RACCORD ROBINET MANO HP	CONNECTION
7	RO-13	VIS INOX TC 4 x 10	SCREW M4 X 10 -
8	MI-27	ROBINET A POINTEAU 1/8	TAP
9	RR-38	JOINT TORIQUE 1,78X4,48 EPDM	GASKET - 4,48 X 1,78
10	DV6014	TUBE CUIVRE MANOMETRE HP	PIPE HP MANOMETER
11	20957	RACCORD DROIT 1/8G	FITTING 1/8G

MONTAGE APRES AVRIL 2014
ASSEMBLY AFTER APRIL 2014



MONTAGE AVANT AVRIL 2014
ASSEMBLY BEFORE APRIL 2014

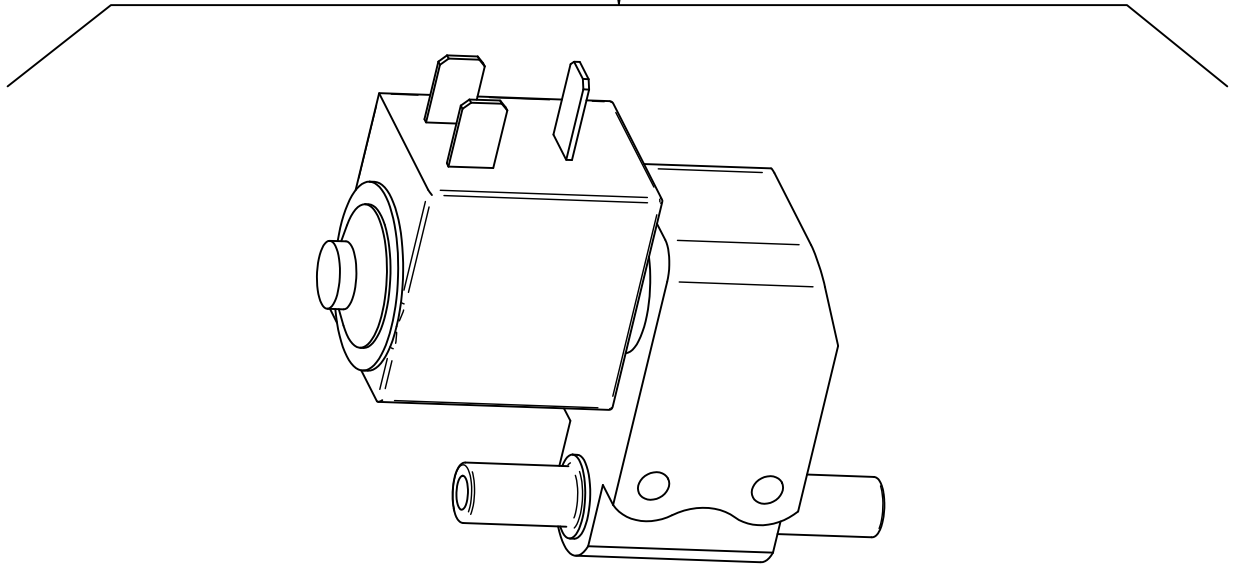


PLANCHE/PLATE : 490

REP	REF	DESIGNATIONS	DESIGNATIONS
1	35550	ELECTROVANNE N.O 24V 50HZ	ELECTROVALVE N.O 24V 50HZ
1	35560	ELECTROVANNE N.O 24V 60HZ UL	ELECTROVALVE N.O 24V 60HZ UL
2	35021	ELECTROVANNE 3 V. D3 SANS BOB	ELECTROVALVE 3W WITHOUT COIL
3	35026	ELECTROVANNE 3 VOIES	3 WAYS ELECTROVALVE
3	35012	BOBINE 24V	SOLENOID COIL 24V
4	35004	NOYAU POUR EV 3V 35021	EV 3W 35021 CORE

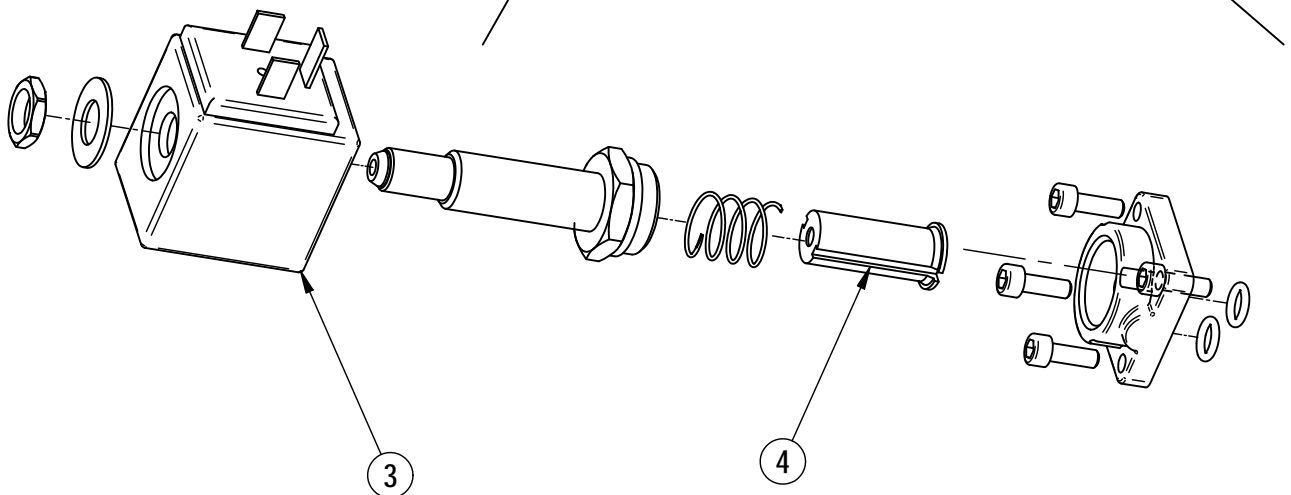
ELECTROVANNE 2V 24V N. O.
ELECTROVALVE 2W 24V OPEN

1



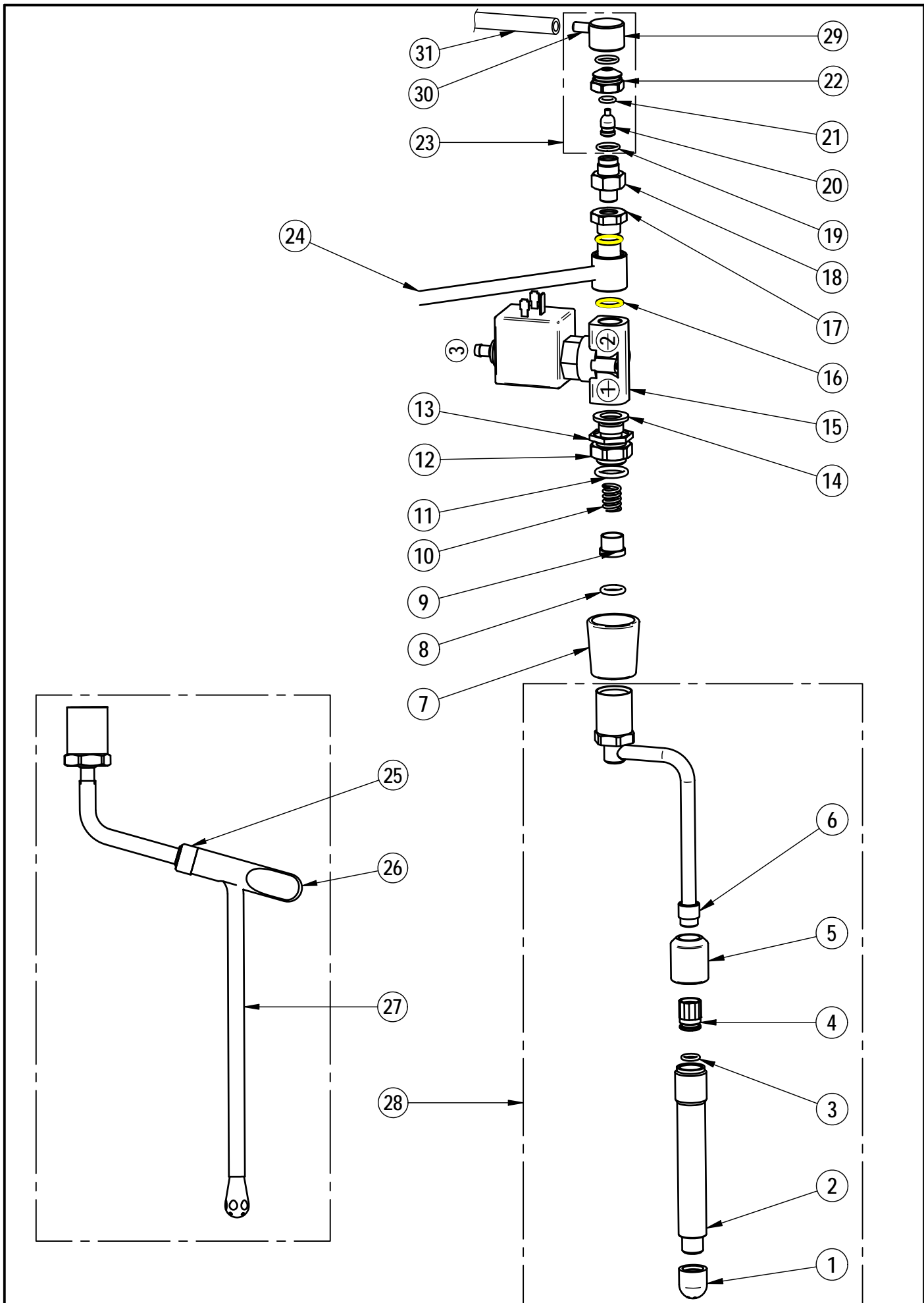
ELECTROVANNE 3V 24V
ELECTROVALVE 3W 24V

2



PLANCHE/PLATE : 510

REP	REF	DESIGNATIONS	DESIGNATIONS
1	RO-70	EMBOUT VAPEUR TEFLON 6 TROUS	LOW TEFLON PIPE
2	RO-72	TUBE TEFLON	PIPE TEFLON
3	CN-436	JOINT TORIQUE 1,78X8,73 EPDM	GASKET 8,73 X 1,78
4	RO-73	RACCORD SORTIE VAPEUR	FITTING STEAM OUTLET
4	RO-73NI	RACCORD SORTIE VAPEUR NSF	FITTING STEAM OUTLET NSF
5	RO-76	BAGUE SORTIE VAPEUR	FITTING PLASTIC
6	FR6014	TUBE SORTIE VAPEUR PTFE	PTFE STEAM OUTLET PIPE
7	25915	CACHE SORTIE EAU VAPEUR	COVER OUTLET STEAM WATER
8	PH-78	JOINT TORIQUE 2,62X9,13 EPDM	O RING - 9,13 X 2,62
9	RR-67	EMBOUT LAITON	BRASS END
9	RR-67NI	EMBOUT LAITON NSF	BRASS END NSF
10	PA-43	RESSORT F15/10 L14,5 D10,5 P3	SPRING
11	PH-54	JOINT TORIQUE 2,62X13,95 EPDM	O RING - 13.95 x 2.62
12	DV-170	ECROU CHROME	NUT 3/8
13	DV-171	RACCORD 3/8-1/4	FITTING 3/8
13	DV-171NI	RACCORD 3/8-1/4 NSF	FITTING 3/8 NSF
14	28352	JOINT PLAT 20X12X2 EPDM 70SH	GASKET 20X12X2
15	35140	ELECTROVANNE 3/2 24V-50/60	ELECTROVALVE 3/2 24V-50/60
15	35145	ELECTROVANNE 3/2 24V-50/60 NICKELEE	ELECTROVALVE 3/2 24V-50/60 NI PLATED
16	27796	JOINT TORIQUE 1,78 X 12,42 NEXUS	O RING 1.78 X 12,42
17	23763	AXE BANJO 1/4M - 1/8F	BANJO SCREW 1/4M 1/8F
17	23763NI	AXE BANJO 1/4M - 1/8F NSF	BANJO SCREW 1/4M 1/8F NSF
18	23785	CORPS DE VALVE 1/8	VALVE BODY
18	23785NI	CORPS DE VALVE 1/8 NSF	VALVE BODY NSF
19	CN-2850	JOINT TORIQUE 1,78X10,82	GASKET 10.82x1.78
20	27225	TIGE VALVE SPHERIQUE	SPHERICAL ROD
21	CN-198	JOINT TORIQUE 1,78X6,07 FKM	GASKET - 6.07 x 1.78
22	27226	ECROU VALVE DE PURGE	VACCUM VALVE NUT
23	27224	KIT VALVE DE PURGE	VACCUM VALVE KIT
		TUBE VAPEUR DUO	DUO STEAM PIPE
24	FR6069	TUBE VAPEUR DUO	STEAM PIPE
25	FR6069NI	TUBE VAPEUR DUO NSF	STEAM PIPE NSF
		TUBE VAPEUR SOLO/UNO	SOLO/UNO STEAM PIPE
24	FR6059	TUBE EV SORTIE VAPEUR	EV STEAM OUTLET PIPE
24	FR6059NI	TUBE EV SORTIE VAPEUR NSF	EV STEAM OUTLET PIPE NSF
25	25911	BAGUE POUR POIGNEE EAU ET VAPEUR	WATER AND STEAM HANDLE COLLAR
26	25910	POIGNEE SORTIE EAU CHAUDE ET VAPEUR	HOT WATER AND STEAM OUTLET HANDLE
27	25903	SORTIE VAPEUR INOX V+	V+ STAINLESS STEEL STEAM OUTLET
28	FR1058	SORTIE VAPEUR PTFE	PTFE STEAM OUTLET
29	27227	CABOCHON VALVE DE PURGE	STOPPER PURGE VALVE
30	26175	EMBOUT M6	M6 NOZZLE
31	12747	TUBE SILICONE SOUPLE 4 - 7	FLEXIBLE SILICONE PIPE 4 - 7

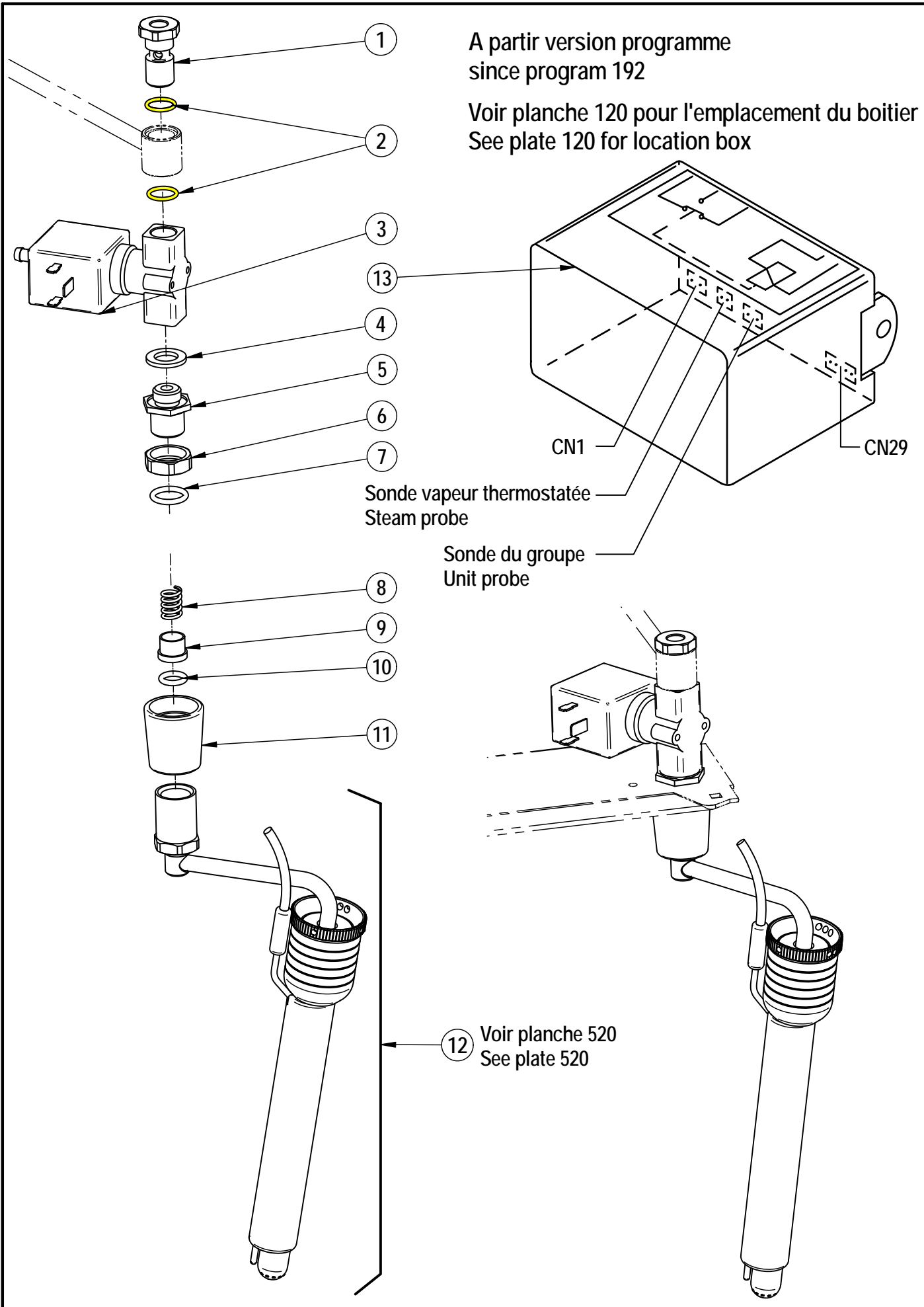


02/15 SORTIE VAPEUR TANGO
TANGO STEAM SPOUT

UNIC 510

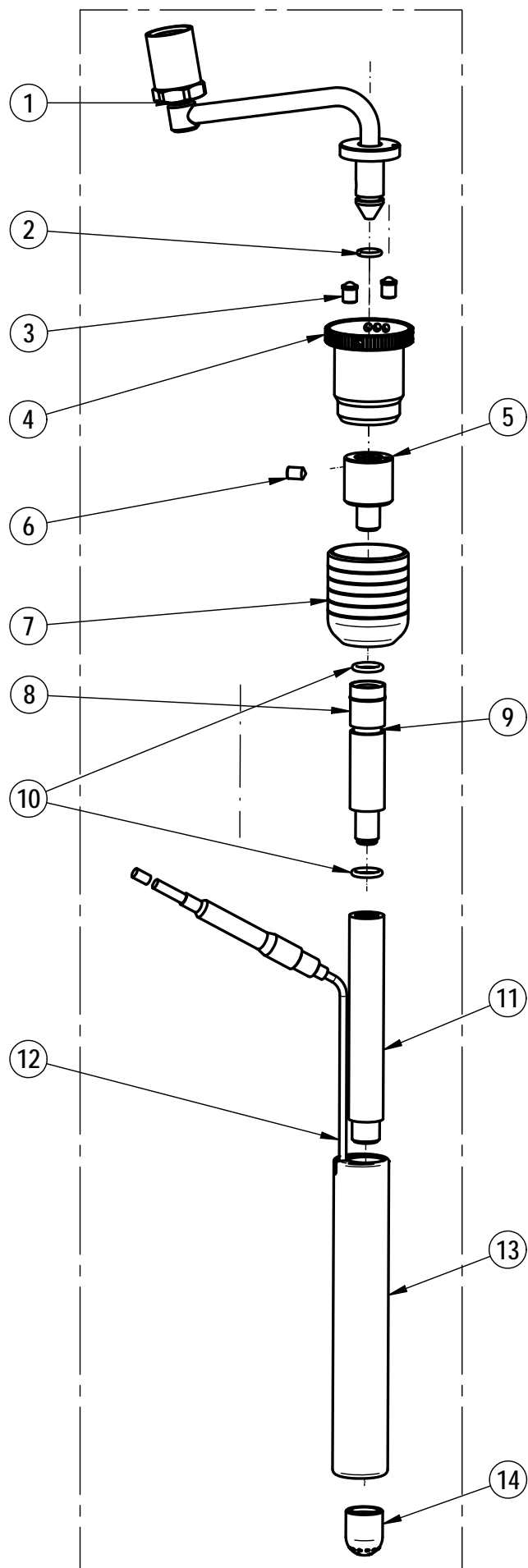
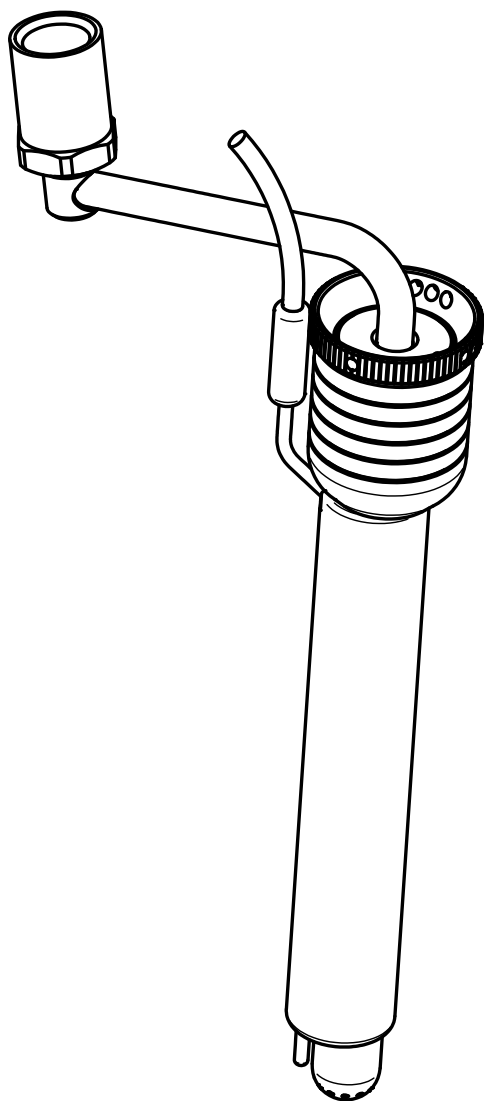
PLANCHE/PLATE : 515

REP	REF	DESIGNATIONS	DESIGNATIONS
1	23763	AXE BANJO 1/4M - 1/8F	BANJO SCREW 1/4M 1/8F
1	23763NI	AXE BANJO 1/4M - 1/8F NSF	BANJO SCREW 1/4M 1/8F NSF
2	27796	JOINT TORIQUE 1,78 X 12,42 NEXUS	O RING 1.78 X 12,42
3	35140	ELECTROVANNE 3/2 24V-50/60	ELECTROVALVE 3/2 24V-50/60
3	35145	ELECTROVANNE 3/2 24V-50/60 NICKEELEE	ELECTROVALVE 3/2 24V-50/60 NI PLATED
4	28352	JOINT PLAT 20X12X2 EPDM 70SH	GASKET 20X12X2
5	DV-171	RACCORD 3/8-1/4	FITTING 3/8
5	DV-171NI	RACCORD 3/8-1/4 NSF	FITTING 3/8 NSF
6	DV-170	ECROU CHROME	NUT 3/8
7	PH-54	JOINT TORIQUE 2,62X13,95 EPDM	O RING - 13.95 x 2.62
8	PA-43	RESSORT F15/10 L14,5 D10,5 P3	SPRING
9	RR-67	EMBOUT LAITON	BRASS END
9	RR-67NI	EMBOUT LAITON NSF	BRASS END NSF
10	PH-78	JOINT TORIQUE 2,62X9,13 EPDM	O RING - 9,13 X 2,62
11	25915	CACHE SORTIE EAU VAPEUR	COVER OUTLET STEAM WATER
12	FR1038	SORTIE STEAMAIR V+	V+ STEAMAIR OUTLET
13	45042	BOITIER DE CONTRÔLE LED RGB	ELECTONIC BOX FOR LED RGB
14*	FR8061	CABLE SORTIE INVERSEUR A SONDE	REVERSER OUTPUT TO PROBE CABLE
15*	FR8060	CABLE ALIM RELAIS INVERSEUR	REVERSER POWER SUPPLY CABLE



PLANCHE/PLATE : 520

REP	REF	DESIGNATIONS	DESIGNATIONS
1	RO-59A	TUBE SORTIE CAPPUCCINO	CAPPUCCINO OUTLET PIPE
2	CN-436	JOINT TORIQUE 1,78X8,73 EPDM	GASKET 8,73 X 1,78
3	RO-58	POUSSOIR A BILLE	THRUST BALL BEARING
4	RO-55	BARILLET	BARREL
5	RO-57	MELANGEUR	MIXER
5	RO-57NI	MELANGEUR NSF	MIXER NSF
6	PC-38	VIS STHC M5X8 BOUT POINTU	POINT END SCREW
7	RO-68	CACHE BARILLET	BARREL COVER
8	25904	RALLONGE SORTIE CAPPUCCINO	CAPPUCCINO OUTLET EXTENSION
9	PH-78	JOINT TORIQUE 2,62X9,13 EPDM	O RING - 9,13 X 2,62
10	28104	JOINT TORIQUE 2X9,5 FKM 80SH	GASKET 2X9,5
11	25907	TUBE PTFE STEAMAIR	PTFE STEAMAIR PIPE
12	34406	SONDE VAPEUR THERMOSTATEE V+	V+ THERMOSTATED STEAM PROBE
13	25906	SUPPORT DE SONDE TANGO	TANGO PROBE SUPPORT
14	25908	EMBOUT PTFE 17 TROUS	17 HOLES END PIPE



05/14

SORTIE STEAMAIR TANGO
TANGO STEAMAIR OUTLET

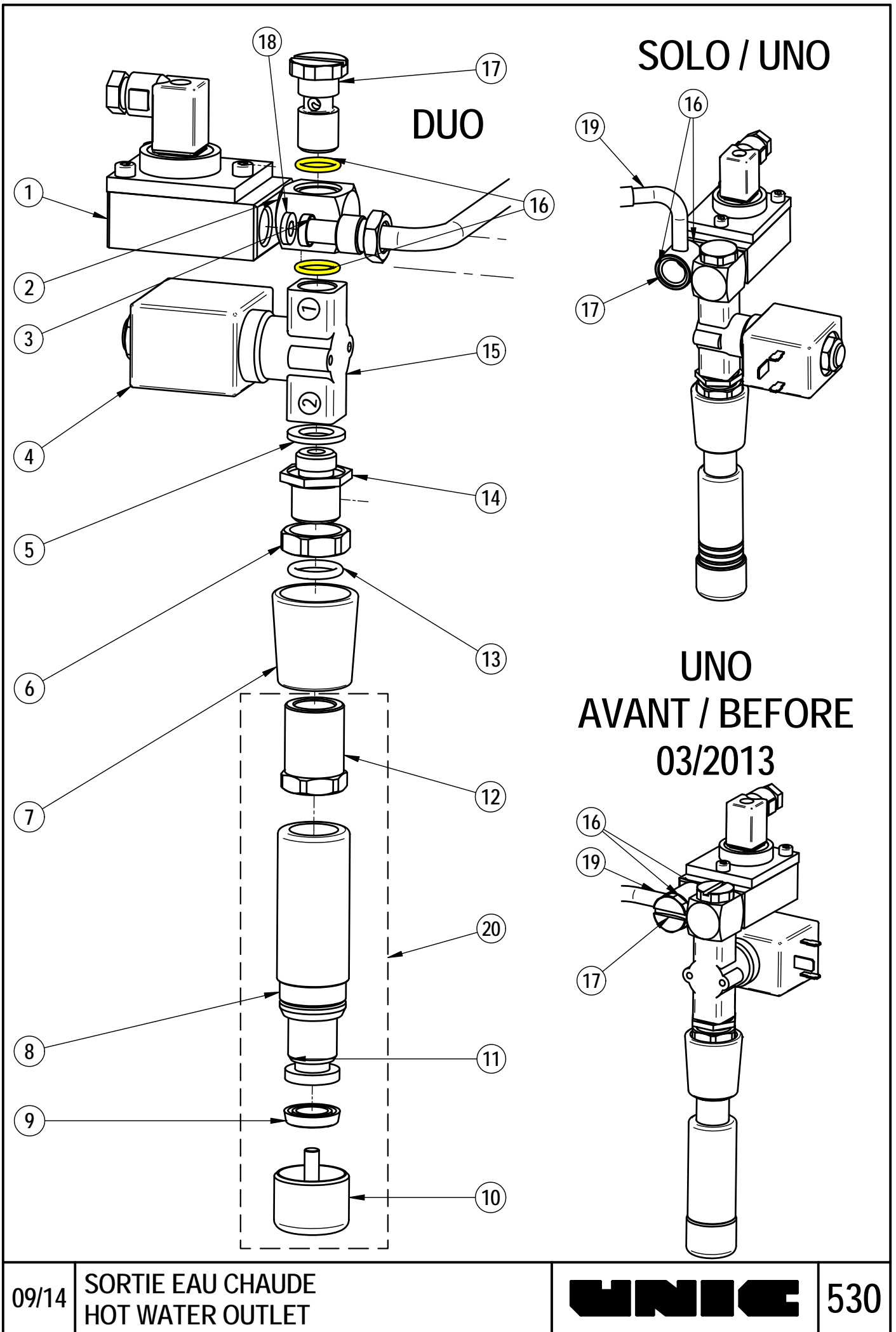
FR1038

UNIC

520

PLANCHE/PLATE : 530

REP	REF	DESIGNATION	DESIGNATIONS
1	DO-71	DOSEUR D'EAU COMPLET D=2,5	WHOLE WATER DOS. DEVICE D:2,5
2	23761	CORPS DE BANJO 1/4	BANJO BODY 1/4
2	23761NI	CORPS DE BANJO 1/4 NSF	BANJO BODY 1/4 NSF
3	FR6006	TUBE EV EAU CHAUDE	HOT WATER EV PIPE
3	FR6006NI	TUBE EV EAU CHAUDE NSF	HOT WATER EV PIPE NSF
3	FR6031	TUBE EV EAU CHAUDE COURT	HOT WATER EV SHORT PIPE
3	FR6031NI	TUBE EV EAU CHAUDE COURT NSF	HOT WATER EV SHORT PIPE NSF
4	35012	BOBINE 24V	SOLENOID COIL 24V
5	28352	JOINT PLAT 20X12X2 EPDM 70SH	GASKET 20X12X2
6	DV-170	ECROU CHROME	NUT 3/8
7	25915	CACHE SORTIE EAU VAPEUR	COVER OUTLET STEAM WATER
8	DO-79	RALLONGE SORTIE TELESCOPIQUE	TELESCOPIC OUTLET EXTENSION
9	PH-55	JOINT LEVRE 11,11X19,05X3,96	GASKET 11,11 X 19,05 X 3,96
10	FR1570	BRISE JET EAU CHAUDE	ANTI SPLASH PLUG
11	DO-78	SORTIE TELESCOPIQUE	TELESCOPIC OUTLET
12	FR4091	RACCORD ENTRETOISE 3/8F	FITTING 3/8
12	FR4091NI	RACCORD ENTRETOISE 3/8F NSF	FITTING 3/8 NSF
13	PH-54	JOINT TORIQUE 2,62X13,95 EPDM	O RING - 13.95 x 2.62
14	DV-171	RACCORD 3/8-1/4	FITTING 3/8
14	DV-171NI	RACCORD 3/8-1/4 NSF	FITTING 3/8 NSF
15	CN-245R	ELECTROVANNE 2V 24V	ELECTROVALVE 2W 24V
15	35510	EV 2 VOIES 24V	ELECTROVALVE 2 WAYS 24V
16	27796	JOINT TORIQUE 1,78 X 12,42 NEXUS	O RING 1.78 X 12,42
17	23760	AXE BANJO 1/4	BANJO SCREW 1/4
17	23760NI	AXE BANJO 1/4 NSF	BANJO SCREW 1/4 NSF
18	DV-172	JOINT PLAT 11.4 X 7.5 X 1.9	GASKET
AVANT / BEFORE 03/2013			
19	FR6063	TUBE EV EAU CHAUDE	HOT WATER EV PIPE
19	FR6063NI	TUBE EV EAU CHAUDE NSF	HOT WATER EV PIPE NSF
APRES / AFTER 03/2013			
19	FR6060	TUBE PLONGEUR EAU CHAUDE	HOT WATER DIVER PIPE
19	FR6060NI	TUBE PLONGEUR EAU CHAUDE NSF	HOT WATER DIVER PIPE NSF
19	FR6062	TUBE EAU CHAUDE	HOT WATER PIPE
19	FR6062NI	TUBE EAU CHAUDE NSF	HOT WATER PIPE NSF
20	FR1031	SORTIE EAU CHAUDE BAS	HOT WATER OUTPUT



SOLO / UNO

DUO

UNO
AVANT / BEFORE
03/2013

09/14

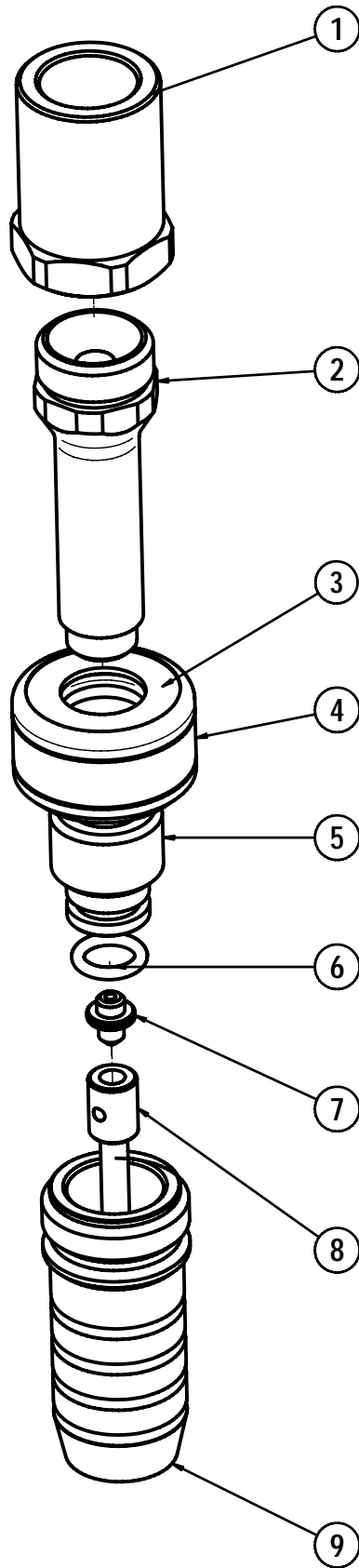
SORTIE EAU CHAUDE
HOT WATER OUTLET

UNIC

530

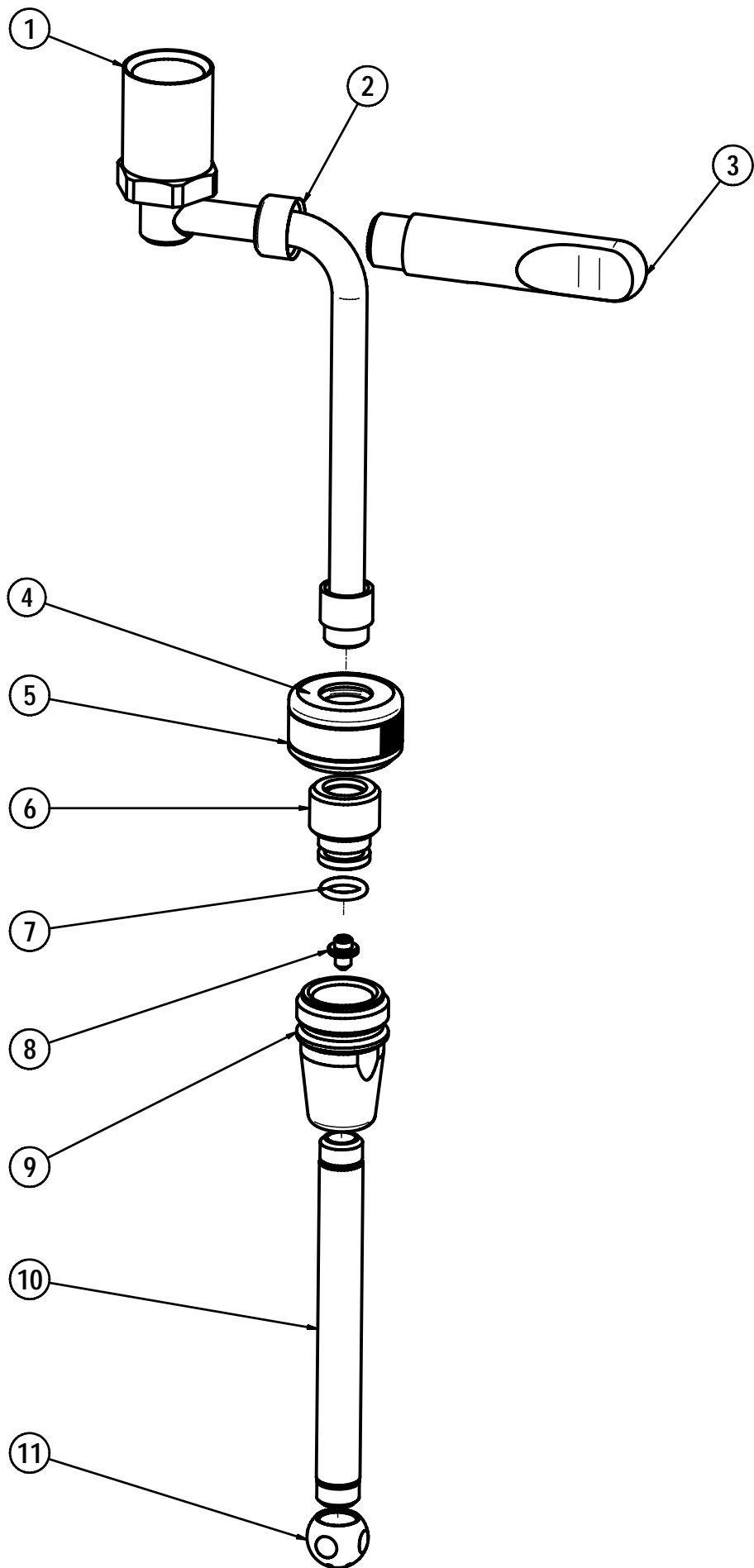
PLANCHE/PLATE : 535

REP	REF	DESIGNATION	DESIGNATIONS
1	FR4091	RACCORD ENTRETOISE 3/8F	FITTING 3/8
2	25707	TUBE SORTIE EAU CHAUDE REGLABLE	ADJUSTABLE HOT WATER OUTLET PIPE
3	46028	AUTOCOLLANT SORTIES REGLABLES	ADJUSTABLE OUTLET STICKER
4	25710	MOLETTE POUR SORTIE DEBIT REGLABLE	ADJUSTABLE OUTLET TOOTHED WHEEL
5	25708	RACCORD SORTIE DEBIT REGLABLE	ADJUSTABLE OUTLET FITTING
6	CN-436	JOINT TORIQUE 1,78X8,73 EPDM	GASKET 8,73 X 1,78
7	23119	GICLEUR DIAM:0,9	GICLUER DIAM. 0.9
8	23118	SUPPORT GICLEUR SORTIE EAU CHAUDE	HOT WATER GICLUER SUPPORT
9	25712	EMBOUT EAU CHAUDE DEBIT REGLABLE	ADJUSTABLE HOT WATER SPOUT



PLANCHE/PLATE : 540

REP	REF	DESIGNATION	DESIGNATIONS
1	FR6014	TUBE SORTIE VAPEUR PTFE	PTFE STEAM OUTLET PIPE
2	25911	BAGUE POUR POIGNEE EAU ET VAPEUR	WATER AND STEAM HANDLE COLLAR
3	25910	POIGNEE SORTIE EAU CHAUDE ET VAPEUR	HOT WATER AND STEAM OUTLET HANDLE
4	46028	AUTOCOLLANT SORTIES REGLABLES	ADJUSTABLE OUTLET STICKER
5	25710	MOLETTE POUR SORTIE DEBIT REGLABLE	ADJUSTABLE OUTLET TOOTHED WHEEL
6	25708	RACCORD SORTIE DEBIT REGLABLE	ADJUSTABLE OUTLET FITTING
7	CN-436	JOINT TORIQUE 1,78X8,73 EPDM	GASKET 8,73 X 1,78
8	23119	GICLEUR DIAM:0,9	GICLUER DIAM. 0.9
9	25922	EMBOUT SORTIE IRISH DEBIT REGLABLE	ADJUSTABLE FLOW IRISH NOZZLE
10	25921	RALLONGE SORTIE IRISH	IRISH OUTLET EXTENSION
11	25900	BRISE JET BOULE POUR IRISH	ANTI PLASH BALL FOR IRISH



03/09

SORTIE IRISH
IRISH OUTLET

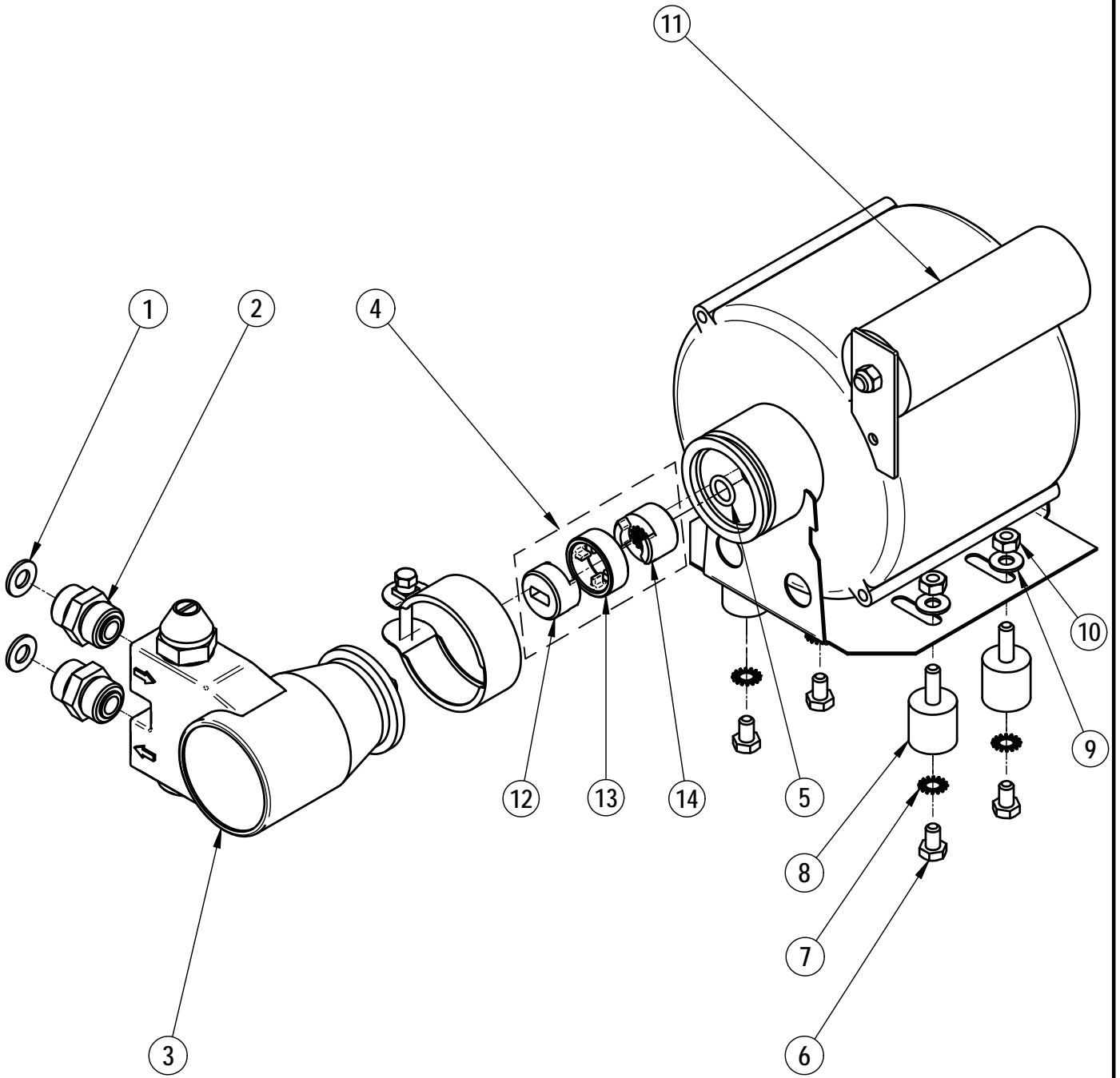
FR1029

UNIC

540

PLANCHE/PLATE : 600

REP	REF	DESIGNATIONS	DESIGNATIONS
1	CH-16	JOINT CUIVRE RECUIT 3/8	WASHER - COPPER - 3/8
2	CN-347A	RACCORD D'ALIM. 3/8 - 3/8 MM	FITTING - 3/8 X 3/8 -
2	CN-347ANI	RACCORD D'ALIM. 3/8 - 3/8 MM NSF	FITTING - 3/8 X 3/8 - NSF
3	37225	POMPE ROTATIVE 200L/H PROCON	PROCON PUMP 200L/H
3	37272	POMPE 200 L	PUMP 200 L
4	37216	KIT ACCOUPLEMENT POMPE	COUPLING KIT
5	28104	JOINT TORIQUE 2X9,5 FKM 80SH	GASKET 2X9,5
6	DO-45	VIS ACIER ZN TH 6 X 8	SCREW 6 X 8
7	51655	RONDELLE GROWER DE 6	WASHER 6
8	DO-19	PLOT APB 20-20	SILENTBLOC
9	PH 32	RONDELLE PLATE 6,25 X 14 X 1,2	WASHER
10	AE-13A	ECROU INOX Hu 6-100	NUT M6
		MOTEUR POMPE	PUMP MOTOR
11	PI-52	MOTEUR CANNELE 220V50HZ	MOTOR 220V 50HZ
11	PI-52A	MOTEUR CANNELE 220V60HZ	MOTOR 220V 60HZ
11	37245	MOTEUR CANNELE 240V 50HZ	MOTOR 240V 50HZ
12	37215	JOINT D'ACCOUPLEMENT	SLEEVE COUPLING
13	37211	AMORTISSEUR ACCOUPLEMENT	RUBBER COUPLING
14	37210	JOINT D'ACCOUPLEMENT	SLEEVE COUPLING



PLANCHE/PLATE : 630

REP	REF	DESIGNATION	DESIGNATIONS
1	37500	MOULIN DITTING 230V 50HZ	GRINDER 230V 50H
2	37532	COLLIER DE SERRAGE	CLAMP
3	37505	RESSORT BUTEE DE REGLAGE	RING
4	37534	LANGUETTE SORTIE BEC	LAMINATED SPRING
5	37512	BEX INOX	GRINDER SPOUT
6	PH 32	RONDELLE PLATE 6,25 X 14 X 1,2	WASHER
7	DO-19	PLOT APB 20-20	SILENTBLOC
8	51655	RONDELLE GROWER DE 6	WASHER 6
9	AE-13	ECROU ACIER ZINGUE Hu 6-100	NUT M6
10	E-11	ECROU ACIER Hu de 8	NUT M8
11	CF-199	RONDELLE ACIER ZN 8x22x1,5	STEEL WASHER 8x22x1,5
12	44712	CONDENSATEUR 16µF	CAPACITOR 16µF
13	37510	ENTRETOISE BEC MOULIN	SPACER
14	37521	VIS DE REGLAGE MEULES A DROITE	RIGHT ADJUSTING SCREW
14	37522	VIS DE REGLAGE MEULES A GAUCHE	LEFT ADJUSTING SCREW
15	FR4195	PROLONGATEUR REGLAGE MOULIN	GRINDER ADJUSTING EXTENSION
16	37530	JEU DE MEULE	GRINDING WHEEL SET

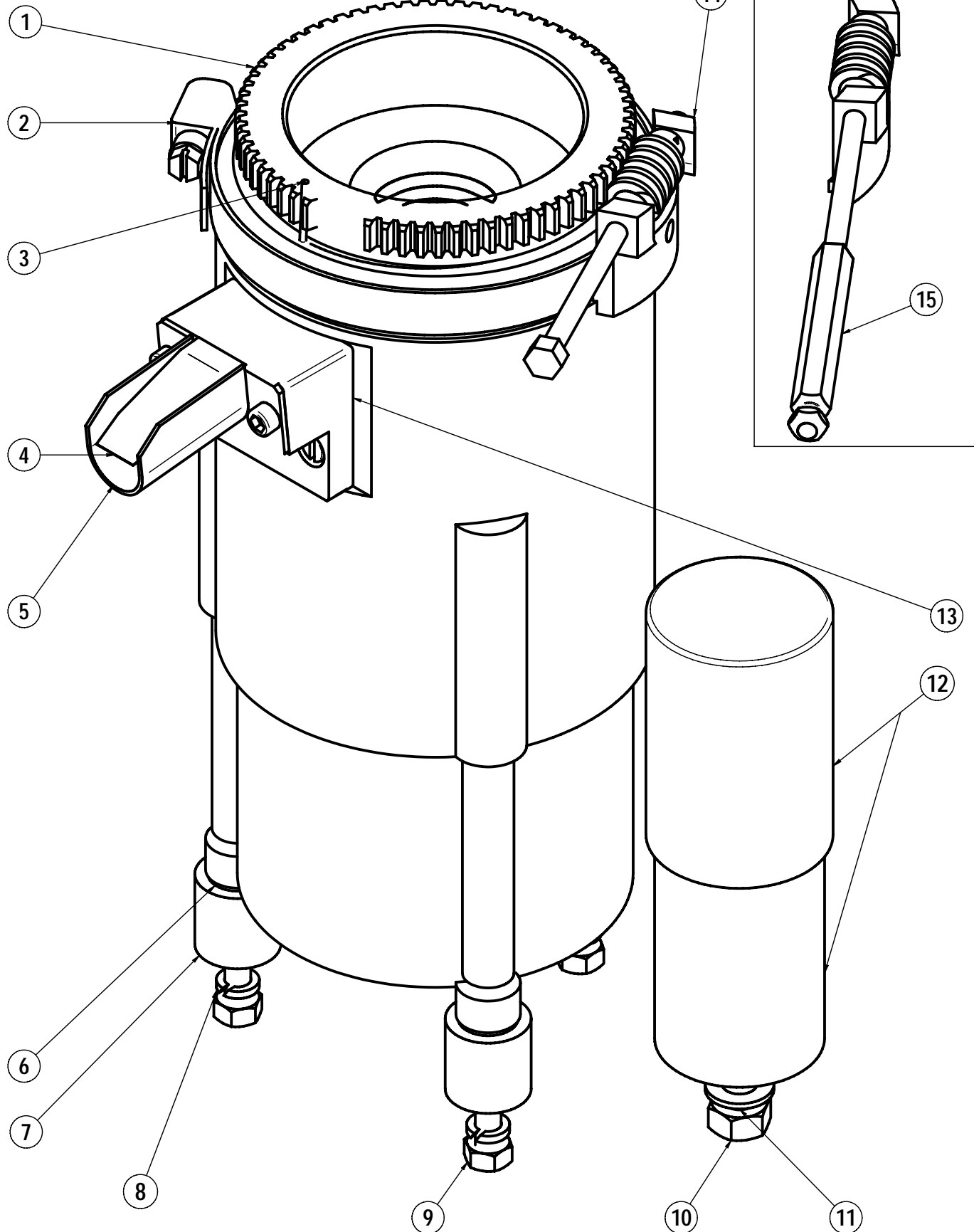
JEU DE MEULES
GRINDING WHEEL SET

N°10 = HAUT / TOP

N°9 = BAS / BOTTOM

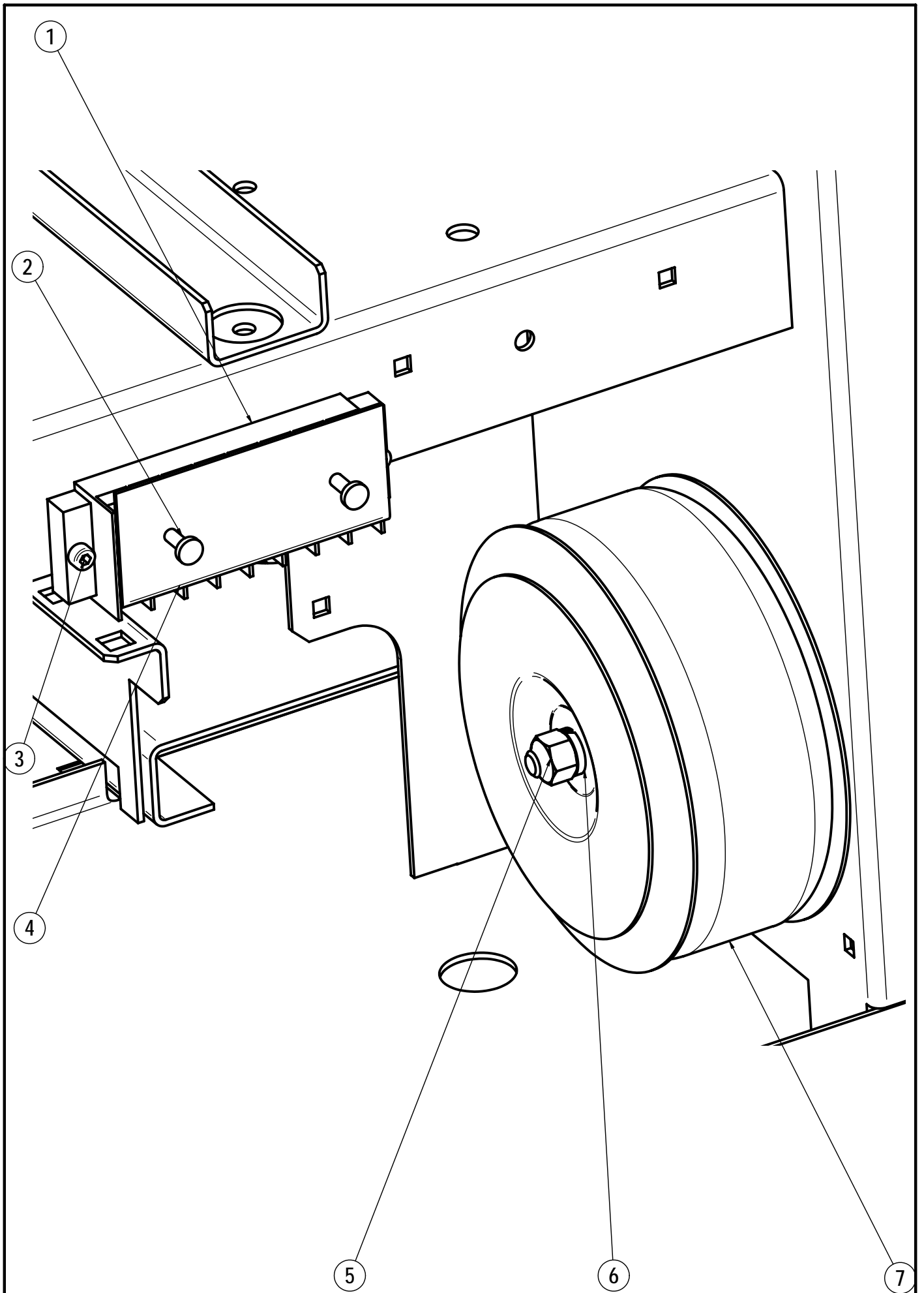
SEULEMENT POUR MOULIN
DE DROITE TANGO SOLO

ONLY FOR
TANGO SOLO RIGHT GRINDER



PLANCHE/PLATE : 650

REP	REF	DESIGNATIONS	DESIGNATIONS
1	41413	BARRETTE 8 POLES	TERMINAL BOARD
2	41412	POINTE	PIN
3	PE-59	VIS TCHC M4x10 INOX	SCREW 4 X 10
4	41414	PROTECTION 8	COVER
5	PE-12	ECROU M8	NUT M8
6	RR-83	RONDELLE GROVER DE 8	WASHER 8
7	44220	TRANSFORMATEUR TOROIDAL 230V	TRANSFORMER 200-230-240V



06/01

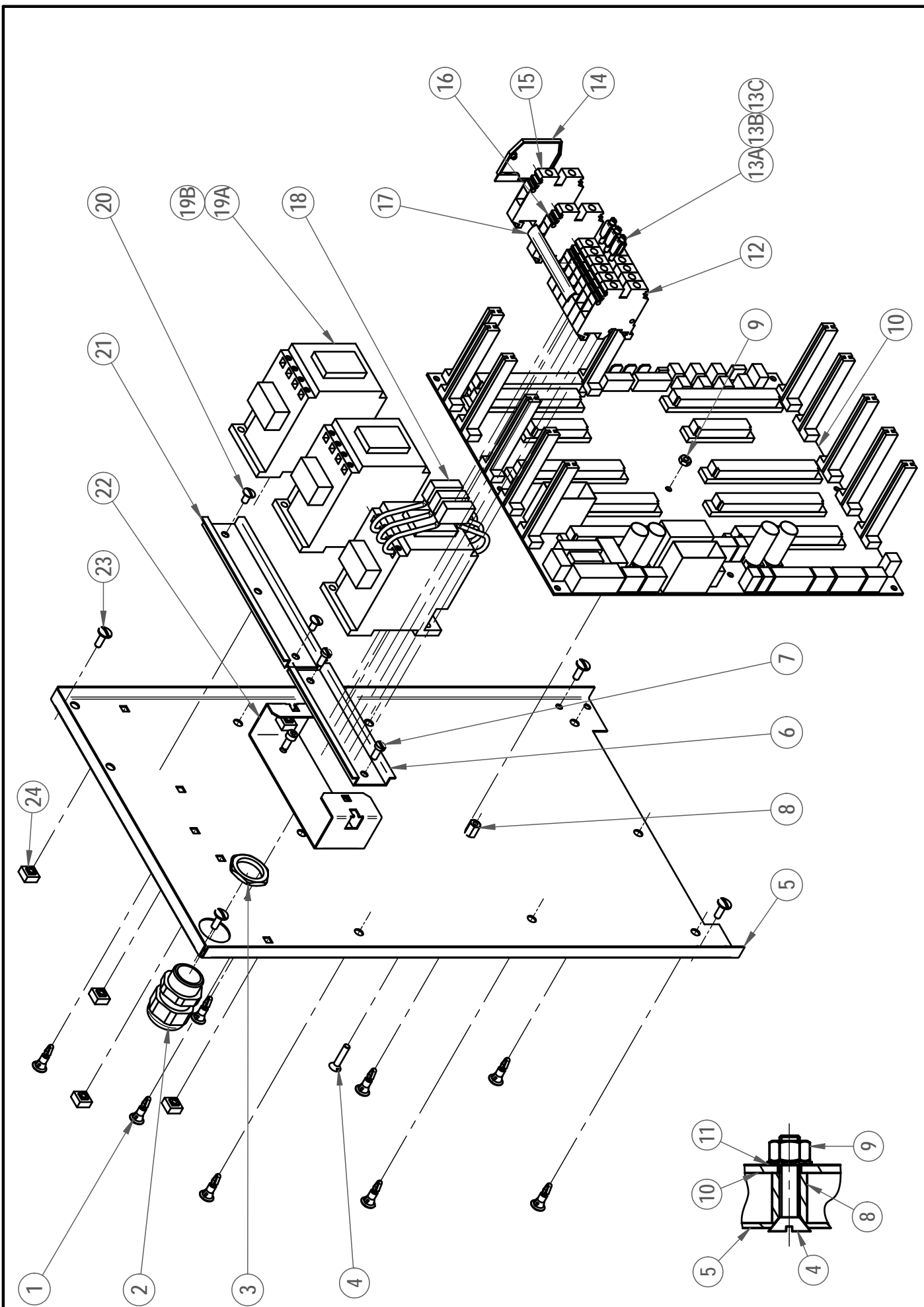
TRANSFORMATEUR
TRANSFORMER

UNIC

650

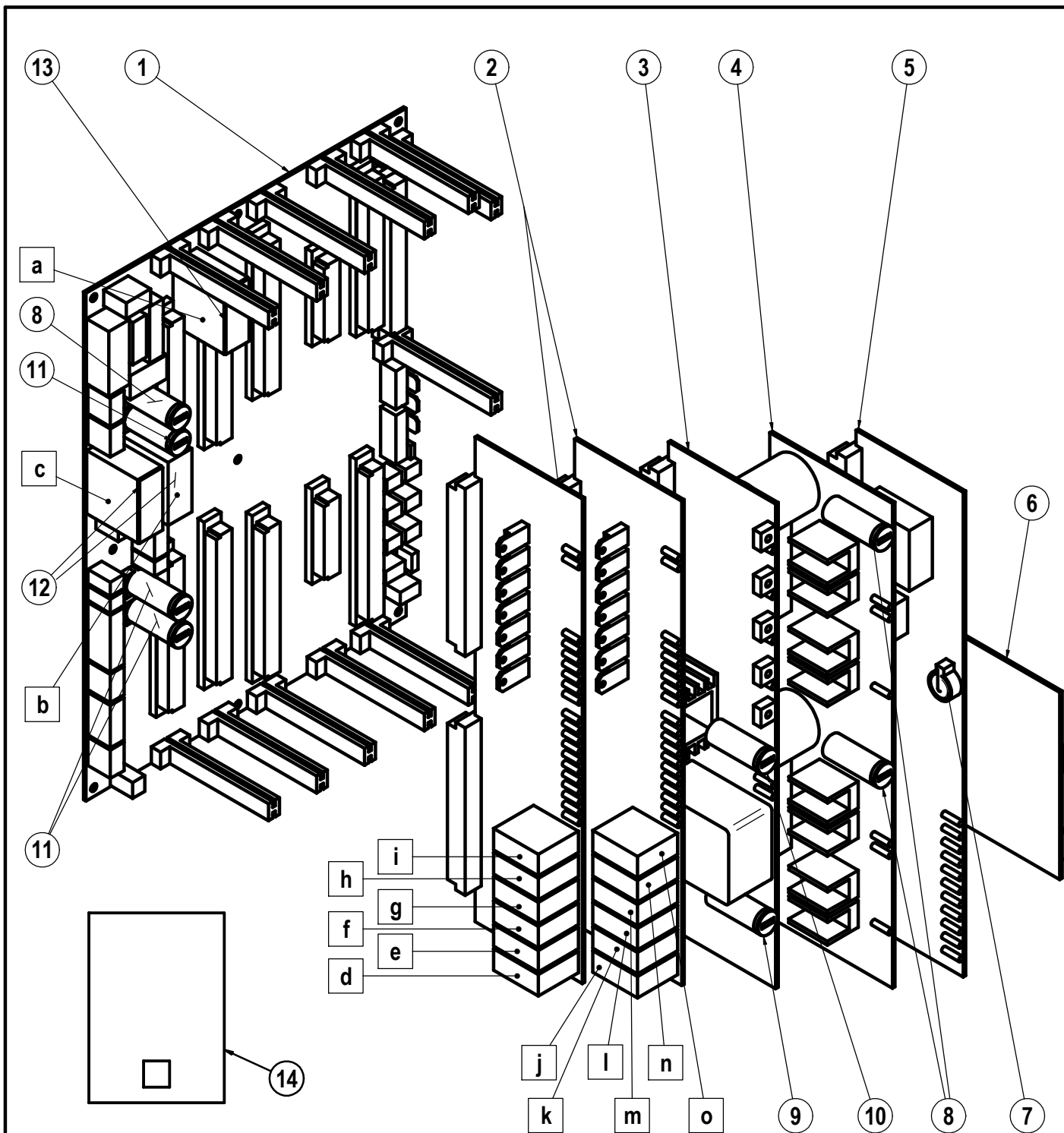
PLANCHE/PLATE : 690

REP	REF	DESIGNATIONS	DESIGNATIONS
1	42400	ENTRETOISE PLASTIQUE FIX CART	PLASTIC PCB SUPPORT
2	ED-133	PRESSE ETOUPE NOIR	PACKING GLAND
3	ED-134	CONTRE ECROU DE PRESSE ETOUPE	PACKING GLAND NUT
4	CN-124	VIS INOX TF 4 x 20	SCREW M4 X 20
5	FR2003	SUPPORT CARTE ELECTRONIQUE	ELECTRONIC BOARD HOLDER
6	CN-724	SUPPORT BORNIER L=95 mm	RAIL
7	RO-13	VIS INOX TC 4 x 10	SCREW M4 X 10 -
8	CN-651	ENTRETOISE COURTE DU C.I.	SHORT SPACER FRAME
9	PG-14	ECROU M4	NUT M4
10	45320	CARTE MERE	MOTHER BOARD
11	CN-343	RONDELLE EVENTAIL 4	WASHER 4
12	AE-50	BORNIER GM GRIS	TERMINAL BOARD GREY
13		BARETTE DE JONCTION	BRIDGE
A	CN-628	BARETTE DE JONCTION 2 PLOTS	2 STUDS STRIP
B	CN-630	BARETTE DE JONCTION 3 PLOTS	3 STUDS STRIP
C	41421	BARETTE DE JONCTION 4 PLOTS	4 STUDS STRIP
14	41422	FLASQUE D'EXTREMITE	FLANGE TERMINAL BOARD
15	41423	BUTEE SANS VIS BORNIER	END TERMINAL BOARD
16	AE-51	BORNIER GM BLEU	TERMINAL BOARD BLUE
17	45981	AUTOCOLLANT BORNIER	STICKER
18	44710	FILTRE ANTIPARASITE RC	RC FILTER
19		CONTACTEUR TRETRAPOLAIRE	CONTACTOR
A	43800	CONTACTEUR TETRA. 220V 25A 50HZ	CONTACTOR 220V 25A 50Hz
B	43801	CONTACTEUR TETRA. 200V 60HZ	CONTACTOR 200V 60HZ
20	ID-129	VIS INOX POELIER VM 4 X 8	SCREW 4 X 8
21	FR2013	RAIL	RAIL
22	FR2011	TOLE SUPPORT BORNIER ALIM	TERMINAL BOARD HOLDER
23	CN-694	VIS POELIER M 4 X 12 INOX	SCREW M4 X 12
24	CN-661	ECROU RAPID M4 EN CAGE /1_1,6	INSERT NUT M4



PLANCHE/PLATE : 700

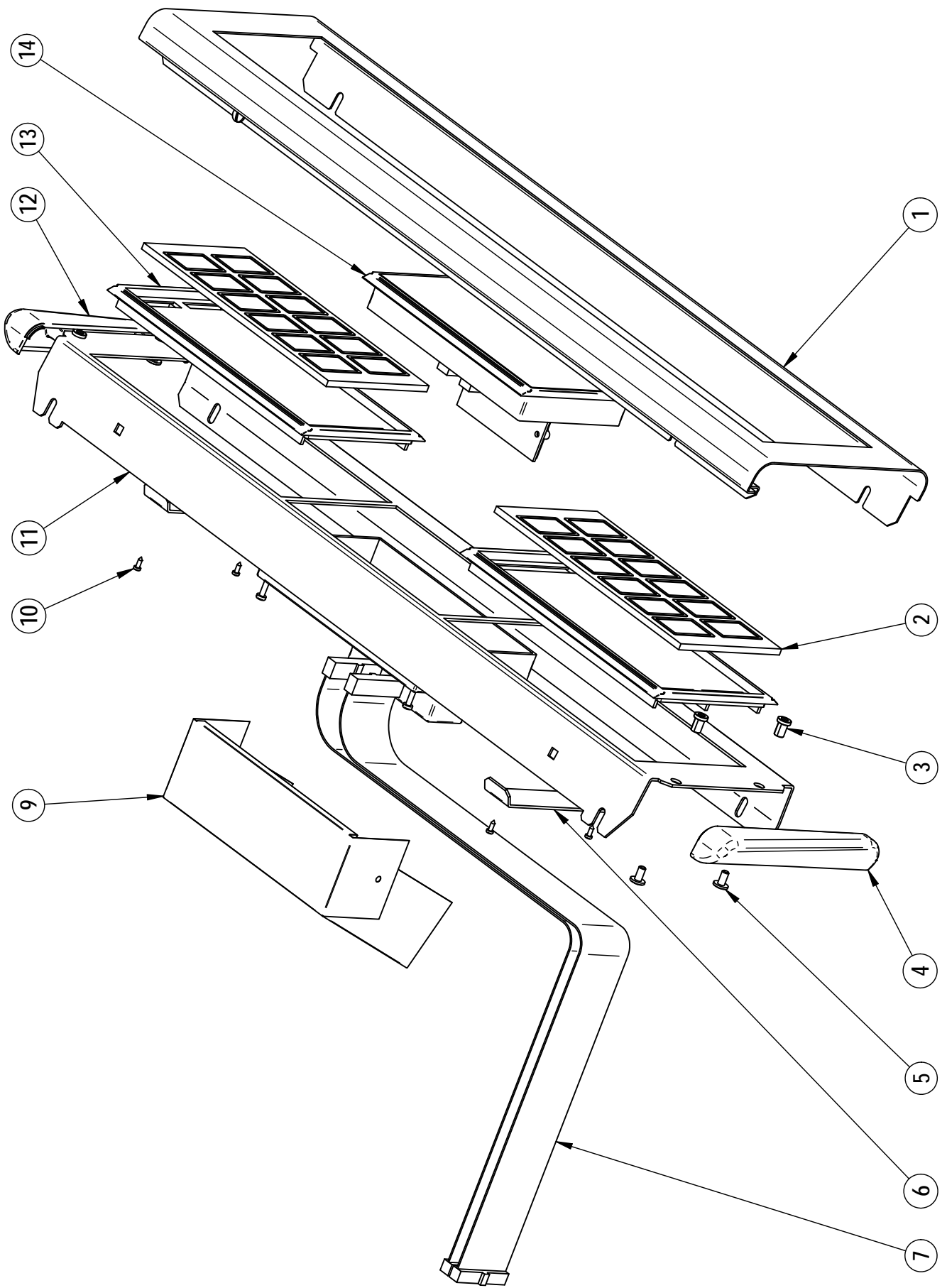
REP	REF	DESIGNATIONS	DESIGNATIONS
1	45320	CARTE MERE	MOTHER BOARD
2	45321	CARTE RELAIS OPTO TRIAC	RELAY CARD
3	45323	CARTE ALIMENTATION	SUPPLY CARD
4	45322	CARTE DRIVER MOTEURS	DRIVER MOTOR CARD
		CARTE MICROPROCESSEUR	CPU CARD
5	45345	CARTE MICROPROCESSEUR (F)	CPU CARD FRENCH
5	45346	CARTE MICROPROCESSEUR (E)	CPU CARD ENGLISH
6	45325	CARTE INTERFACE CLAVIER	INTERFACE CARD OF THE CENTRAL BOX
7	45326	PILE BOUTON 3V CR1220	PILE 3V CR1220
8	43110	FUSIBLE 5 X 20 16A RETARDE T	FUSE 16A DELAYED
9	43105	FUSIBLE 5 X 20 500mA RETARDE T	FUSE 500mA DELAYED
9	43111	FUSIBLE 5 X 20 315mA RETARDE T	FUSE 315mA DELAYED
10	43113	FUSIBLE 5 X 20 1A RETARDE T	FUSE 1A DELAYED
11	DV-79	FUSIBLE 5 X 20 5A RETARDE T	FUSE 5A DELAYED
12	44400	RELAIS FINDER Type 40-61S Bobine 14V	RELAY FINDER 40-61S
13	44401	RELAIS FINDER Type 44-62S Bobine 14V	RELAY FINDER 44-62S
14	45077	CARTE A PUCE CLIENT	CUSTOMER CARD
14	45078	CARTE A PUCE TECHNICIEN	TECHNICIAN CARD
14	45347	CARTE DATA Français	DATA CARD FRENCH
14	45348	CARTE DATA ANGLAIS	DATA CARD ENGLISH



- a) RELAIS INVERSEUR PISTON GAUCHE / DROIT- LEFT/RIGHT PISTON INVERTER RELAY RL1
- b) RELAIS COMMANDE LIGNE 220V – 220V CONTROL RELAY RL2
- c) RELAIS COMMANDE LIGNE 220V – 220V CONTROL RELAY RL3
- d) RELAIS COMMANDE MONNAYEUR 1 – COIN TESTER 1 CONTROL RELAY GET1
- e) RELAIS COMMANDE MONNAYEUR 2 – COIN TESTER 2 CONTROL RELAY GET2
- f) RELAIS COMMANDE MOULIN 1 – GRINDER 1 CONTROL RELAY M1
- g) RELAIS COMMANDE MOULIN 2 - GRINDER 2 CONTROL RELAY M2
- h) RELAIS COMMANDE MOULIN 3 - GRINDER 3 CONTROL RELAY M3
- i) RELAIS COMMANDE MOTEUR POMPE – PUMP MOTOR CONTROL RELAY POMP
- j) RELAIS COMMANDE CONTACTEUR CHAUFFAGE CAFE – COFFEE HEATING CONTACTOR CONTROL RELAY CHKF
- k) RELAIS COMMANDE CHAUFFAGE GROUPE –GROUP HEATING CONTACTOR CONTROL RELAY CHGR
- l) RELAIS COMMANDE CONTACTEUR CHAUFFAGE VAPEUR –STEAM HEATING CONTACTOR CONTROL RELAY CHVA
- m) RELAIS COMMANDE INACTIF - IDLE CONTROL RELAY
- n) RELAIS COMMANDE INACTIF - IDLE CONTROL RELAY
- o) RELAIS COMMANDE INACTIF - IDLE CONTROL RELAY

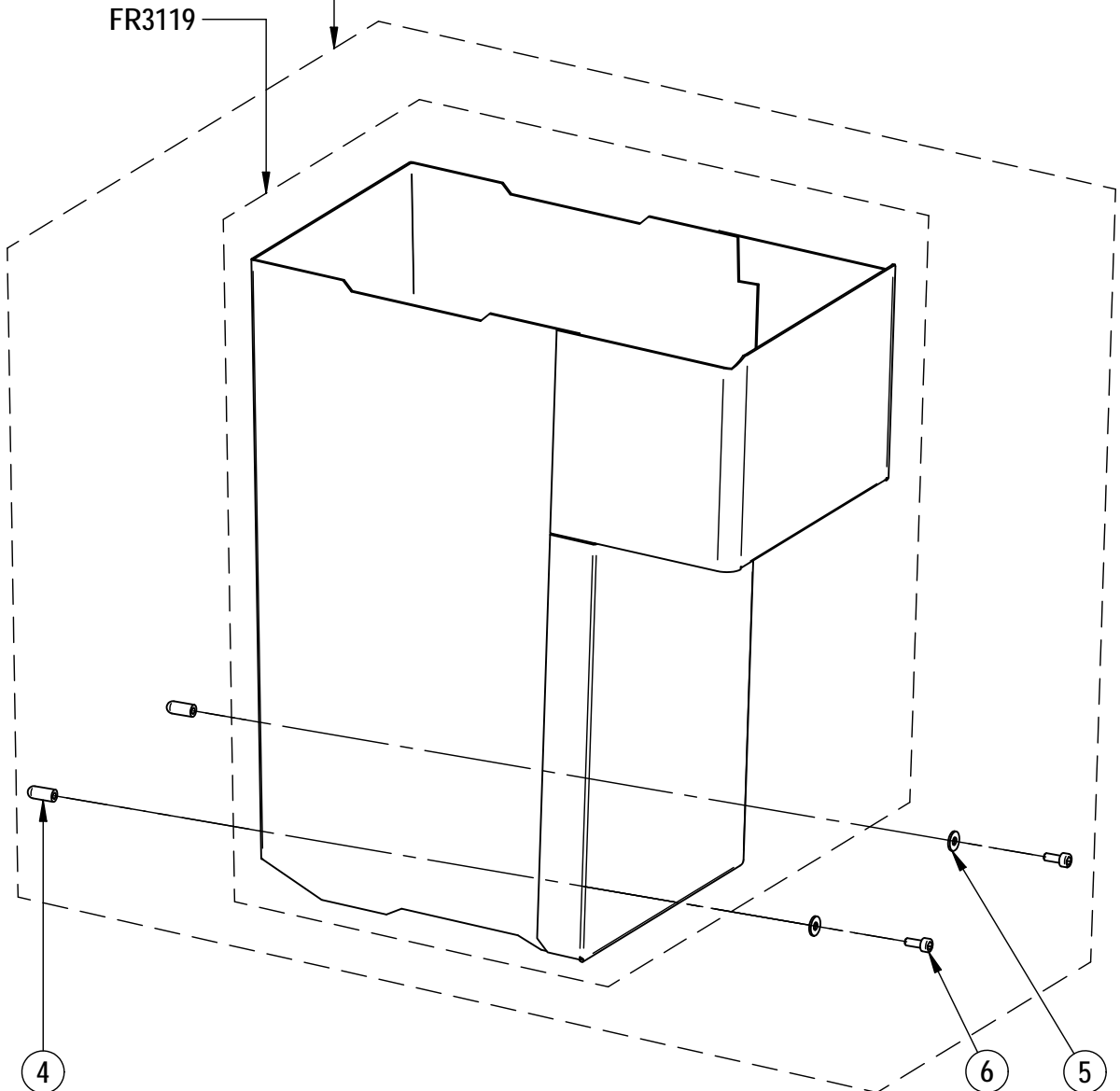
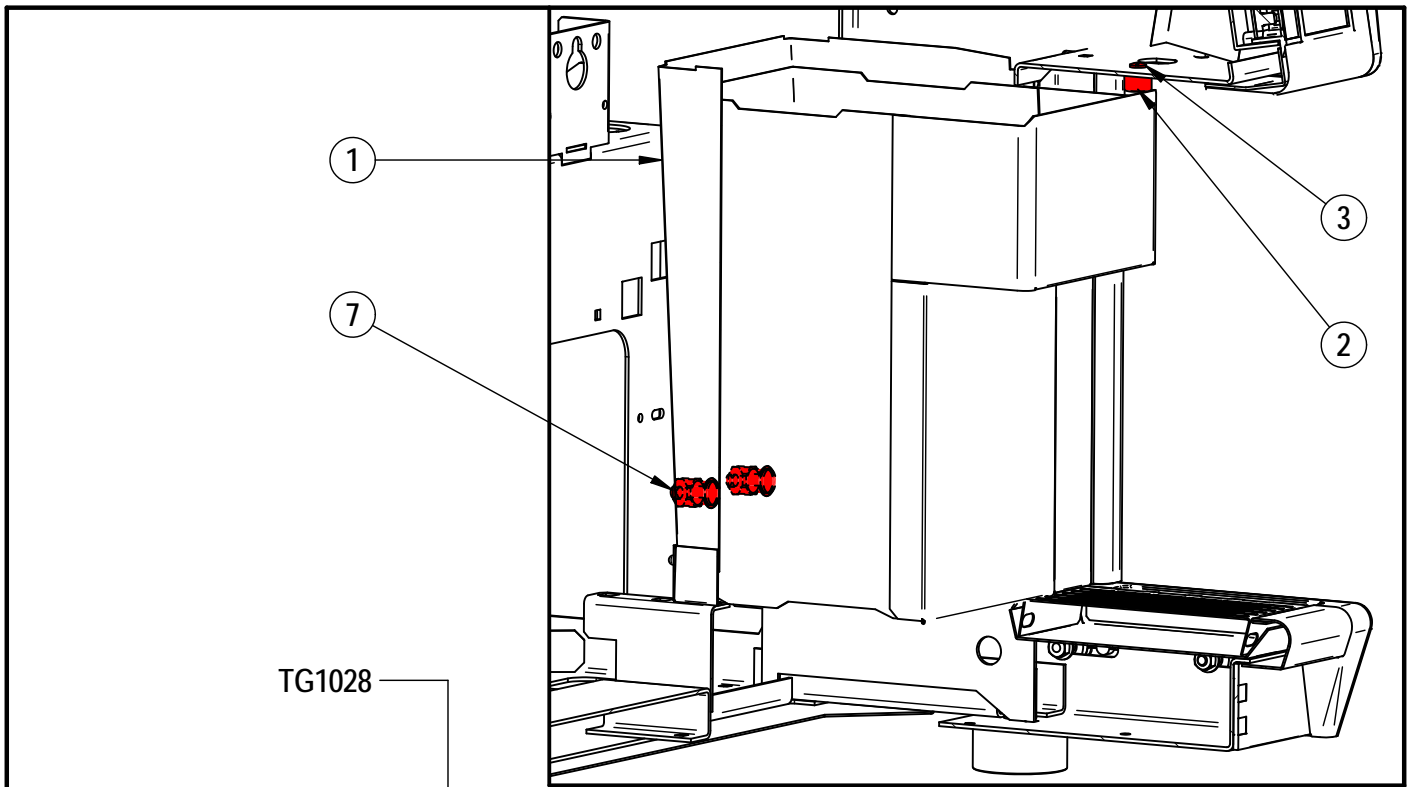
PLANCHE/PLATE : 740

REP	REF	DESIGNATIONS	DESIGNATIONS
1	TG2007	FACE AV CALANDRE DUO	DUO FRONT PANEL
2	46156	CLAVIER 12 TOUCHES	KEY BOARD 12
3	TG4009	PION DE FIXATION	FIXING PION
4	TG7010	OREILLE GAUCHE	LEFT ORNAMENTAL FRONT PANEL
5	ID-129	VIS INOX POELIER VM 4 X 8	SCREW 4 X 8
6	TG2020	TOLE FIXATION CLAVIERS	KEYBOARD HOLDER
7	45085	CABLE PLAT LONG:700	CABLE L:700
9	45084	ISOLANT BOITIER	PROTECING PLASTIC FILM
10	50710	VIS TC CRUCIFORME N°2.9 X 6.4	SCREW N°2.9 X 6.4
11	TG2005	CHASSIS CALANDRE DUO	DUO FRONT PANEL FRAME
12	TG7012	OREILLE DROITE	RIGHT ORNAMENTAL FRONT PANEL
13	FR7071	FACE AVANT BOITIER 12 TOUCHES	BOX FOR KEY BOARD 12
14	45080	BOITIER CENTRAL COMPLET	ELECTRONIC BOX



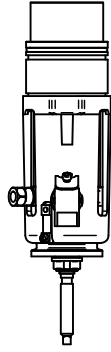
PLANCHE/PLATE : 770

REP	REF	DESIGNATIONS	DESIGNATIONS
1	FR3111	TOLE PORTE CENTRALE	CENTER DOOR
2	FR4052	BUTEE DE BAC A MARC	THRUST
3	ID-129	VIS INOX POELIER VM 4 X 8	SCREW 4 X 8
4	FR4075	TETON	PIN
5	CN-305	RONDELLE EN LAITON M3	BRASS RING M3
6	CN-306	VIS INOX TCHC 3 x 8	SCREW M3 X 8
7	53820	AIMANT BAC A MARC	MAGNET

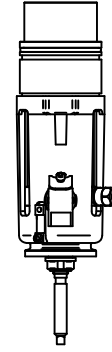


**KITS – OUTILS SPECIAUX –
PRODUITS DETERGENTS /**

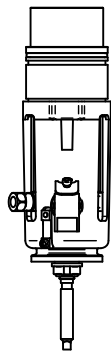
**KITS – SPECIAL TOOLS –
DETERGENT PRODUCTS**



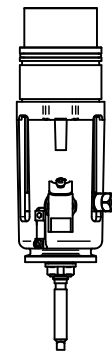
FR1841:
ECHANGE STANDARD PISTON GAUCHE
FILTRE 24-180 STANDARD.
RECONDITIONNED LEFT PISTON ASSEMBLY
FILTER 24-180 STANDARD.



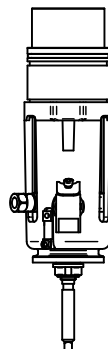
FR1840:
ECHANGE STANDARD PISTON DROIT
FILTRE 24-180 STANDARD.
RECONDITIONNED RIGHT PISTON ASSEMBLY
FILTER 24-180 STANDARD.



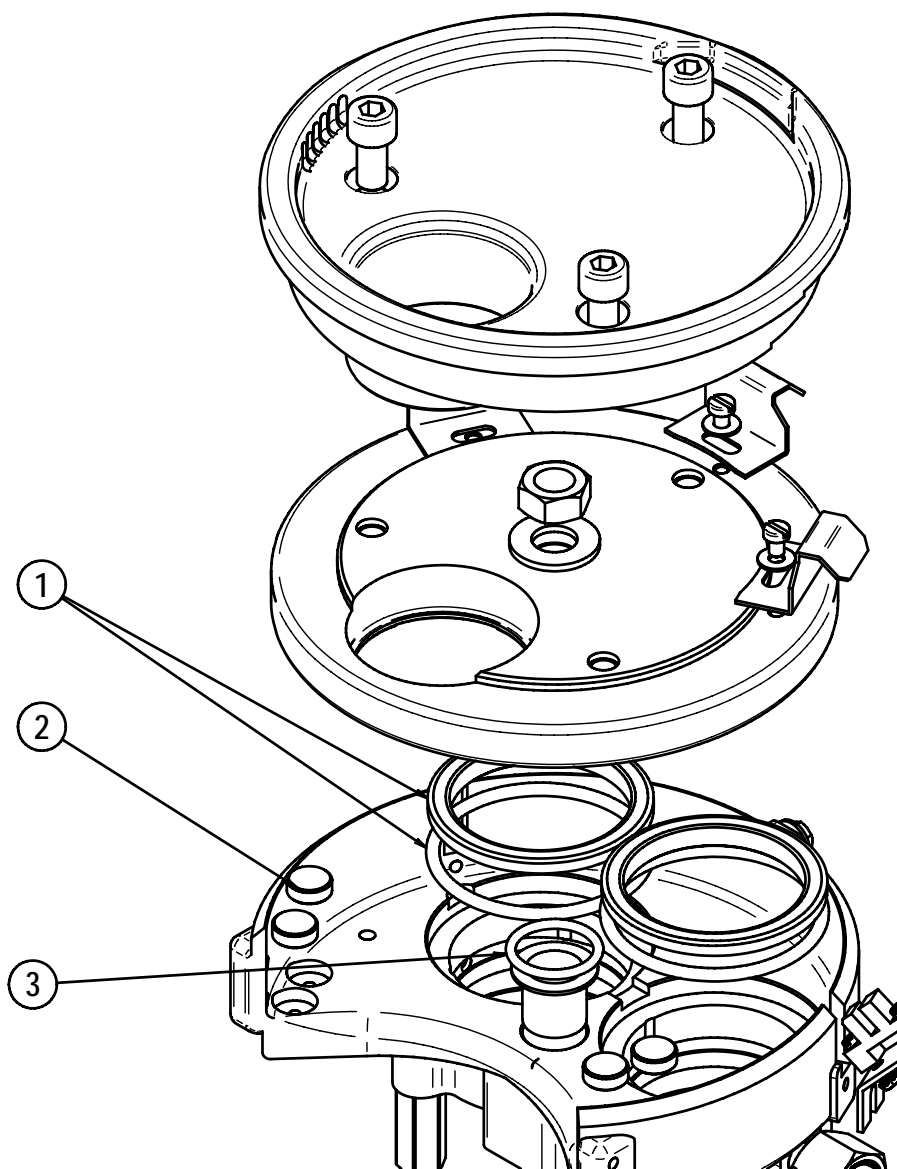
FR1849:
ECHANGE STANDARD PISTON GAUCHE
FILTRE 48 FENTES EXPORT.
RECONDITIONNED LEFT PISTON ASSEMBLY
FILTER 48 SLOTS EXPORT.



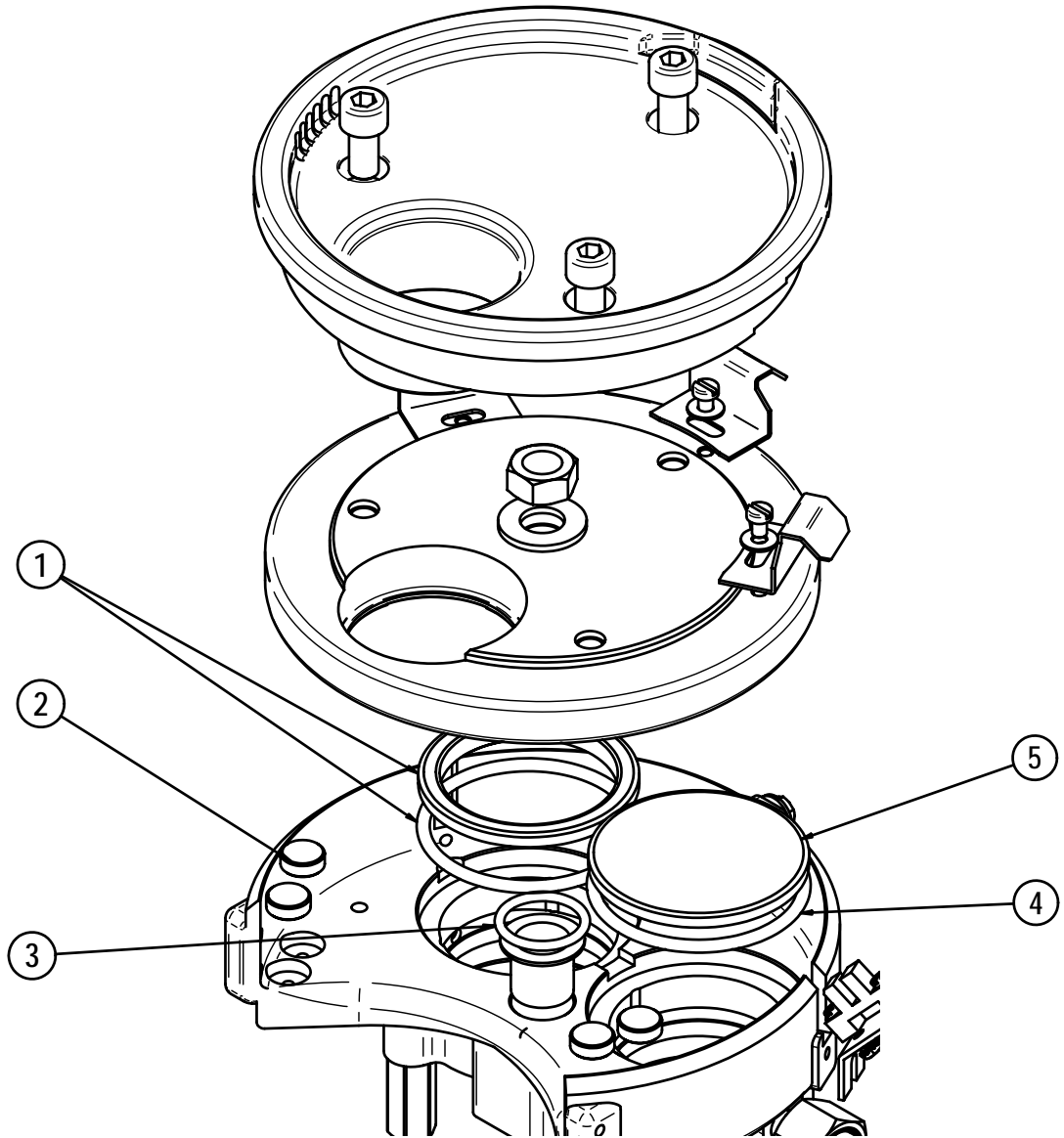
FR1848:
ECHANGE STANDARD PISTON DROIT
FILTRE 48 FENTES EXPORT.
RECONDITIONNED RIGHT PISTON ASSEMBLY
FILTER 48 SLOTS EXPORT.



FR1842
ECHANGE STANDARD PISTON MONNAYEUR - FILTRE 1 TASSE 24 FENTES SELF
RECONDITIONNED SELF PISTON ASSEMBLY - 1 CUP FILTER 24 SELF



REP	REF	DESIGNATIONS		QTE
1	28503	JOINT DE GROUPE	GASKET UNIT	2
2	28502	BUTEE PLATEAU	BASE	4
3	PH-77	JOINT TORIQUE	GASKET	1



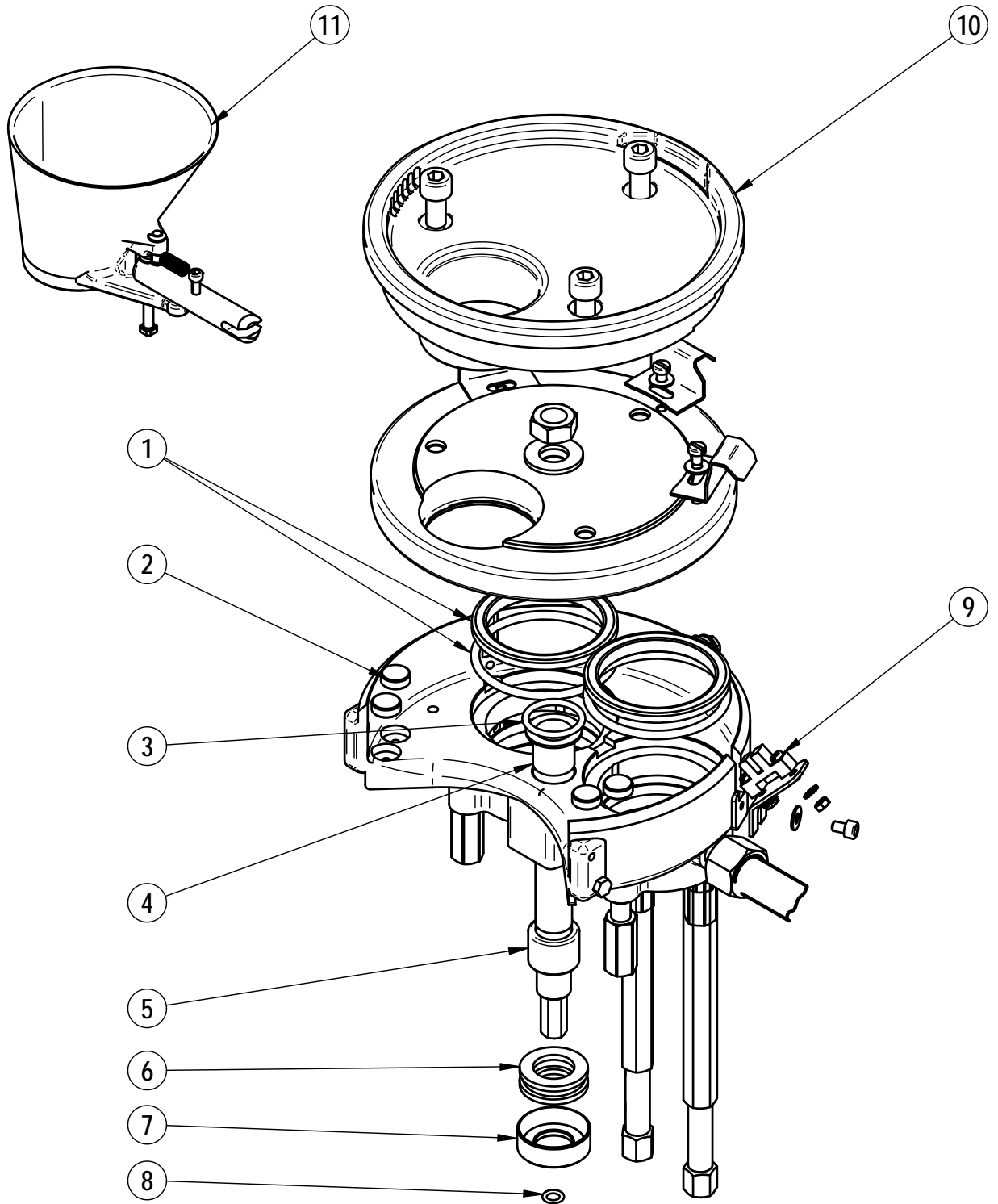
REP	REF	DESIGNATIONS		QTE
1	28503	JOINT DE GROUPE	GASKET UNIT	1
2	28502	BUTEE PLATEAU	BASE	4
3	PH-77	JOINT TORIQUE	GASKET	1
4	27910	JOINT TORIQUE	GASKET	1
5	FR4092	JOINT OBTURAPTEUR PISTON	GASKET	1

06/06

FR1551

KIT JOINT PLATEAU TANGO 1 GR
TURNTABLE GASKET KIT 1 UNIT TANGO

UNIC



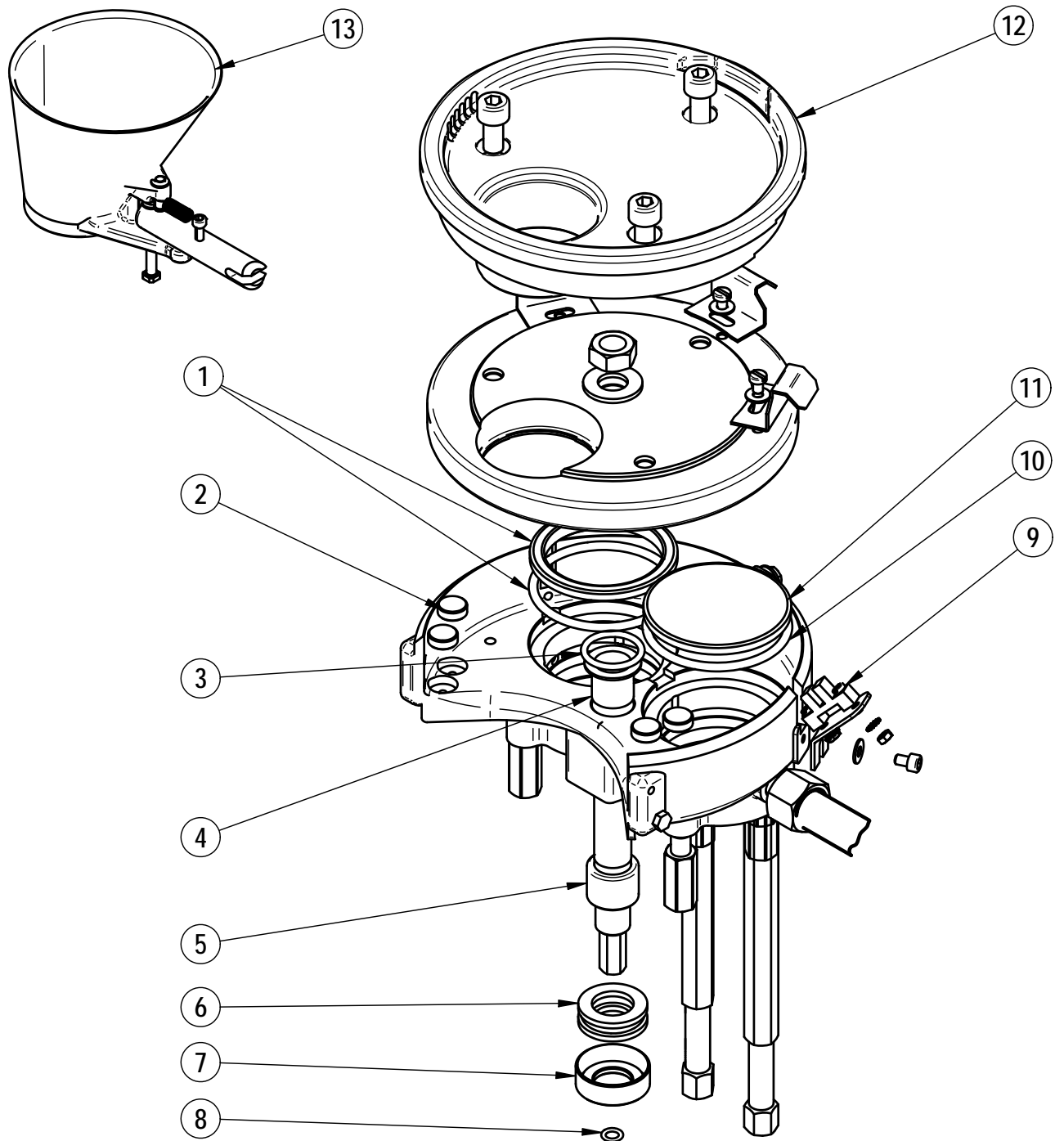
REP	REF	DESIGNATIONS		QTE
1	28503	JOINT DE GROUPE	GASKET UNIT	2
2	28502	BUTEE PLATEAU	BASE	4
3	PH-77	JOINT TORIQUE	GASKET	1
4	52615	COUSSINET	BEARING	1
5	53620	BAGUE	BRASS BEARING	1
6	53117	BUTEE A BILLE	BALL BEARING	1
7	FR4019	PROTECTION BUTEE A BILLE	BEARING COVER	1
8	PH-78	JOINT TORIQUE	GASKET	2
9	36500	CAPTEUR A FOURCHE	FORK SENSOR	2
10	FR7000	PLATEAU PLASTIQUE	PLASTIC TURNTABLE	1
11	FR1006	ENTONNOIR	FUNNEL	1

06/15

FR1560

KIT REFECTION GROUPE TANGO 2 GR
UNIT REPAIRING KIT 2 UNIT TANGO

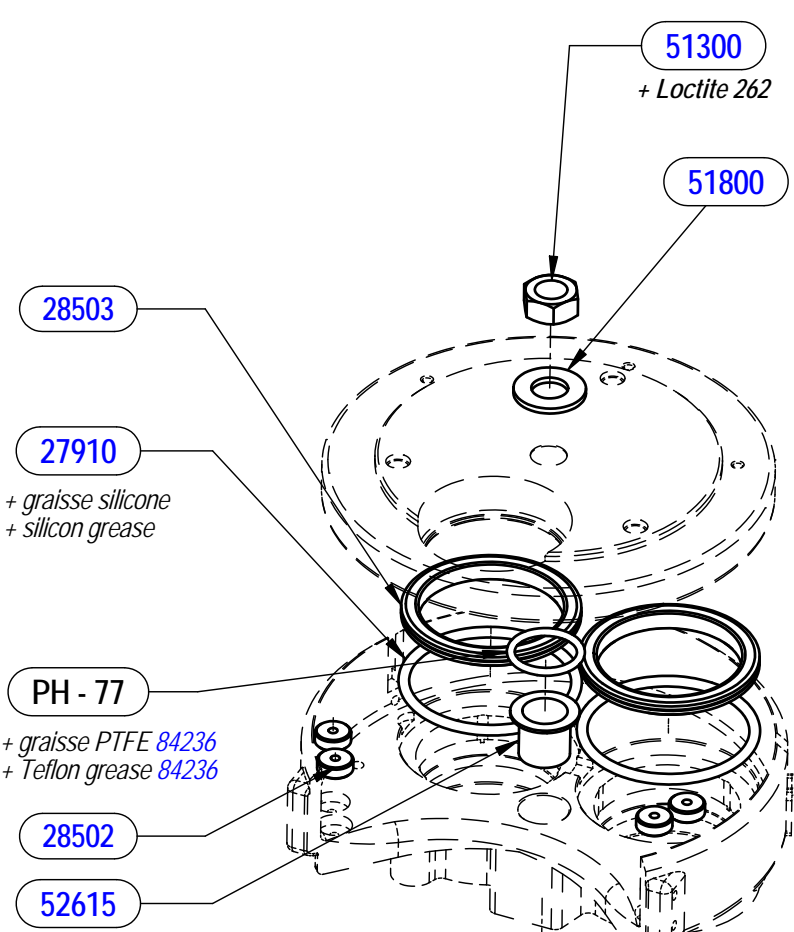
UNIC



REP	REF	DESIGNATIONS		QTE
1	28503	KIT JOINT PLATEAU	GASKET KIT	1
2	28502	BUTEE PLATEAU	BASE	4
3	PH-77	JOINT TORIQUE	GASKET	1
4	52615	COUSSINET	BEARING	1
5	52620	BAGUE	BEARING	1
6	53117	BUTEE A BILLE	BALL BEARING	1
7	FR4019	PROTECTION BUTEE A BILLE	BEARING COVER	1
8	PH-78	JOINT TORIQUE	GASKET	2
9	36500	CAPTEUR A FOURCHE	FORK SENSOR	2
10	27910	JOINT TORIQUE	GASKET	1
11	FR4092	JOINT OBTURAPTEUR GROUPE	GASKET	1
12	FR7000	PLATEAU PLASTIQUE	PLASTIC TURNTABLE	1
13	FR1006	ENTONNOIR	FUNNEL	1

KIT : FR1555 KIT AXE PLATEAU TANGO

REF	DESIGNATIONS	DESIGNATIONS
27910	JOINT TORIQUE 3.53 X 53.37 VITON	GASKET
28502	BUTEE PLATEAU	BASE DIA: 12
28503	JOINT PLATEAU COMPLET	GASKET UNIT
50000	VIS TCHC M3 X 10	SCREW M3 X 10
51300	ECROU M12 X 125	NUT M12 X 125
51800	RONDELLE 12 X 24 X 2 INOX	WASHER 12
52615	COUSSINET XFM 15-17-15	BEARING 15-17-15
52620	COUSSINET XSM 15-17-15	BEARING 15-17-15
53117	BUTEE A BILLE 51102 d28xd15x9	THRUST BALL BEARING 28X15X16
FR4011	AXE PLATEAU	TURNABLE AXLE
FR4012	ECROU A TETONS	BREAST NUT
FR4013	BAGUE DE BLOPAGE	BLOCKING RING
FR4019	PROTECTION BUTEE A BILLE	BEARING COVER
PH-77	JOINT TORIQUE 18.72 x 2.62	O-RING 18.72 X 2,62



Rappel important

Lors de l'assemblage du plateau avec l'axe, l'écrou 51300 doit être serré en deux temps: après avoir mis une goutte de Loctite 262 dans l'écrou, d'abord serrer très fort pour assurer la mise en place du cône; puis desserrer et resserrer moyennement fort.

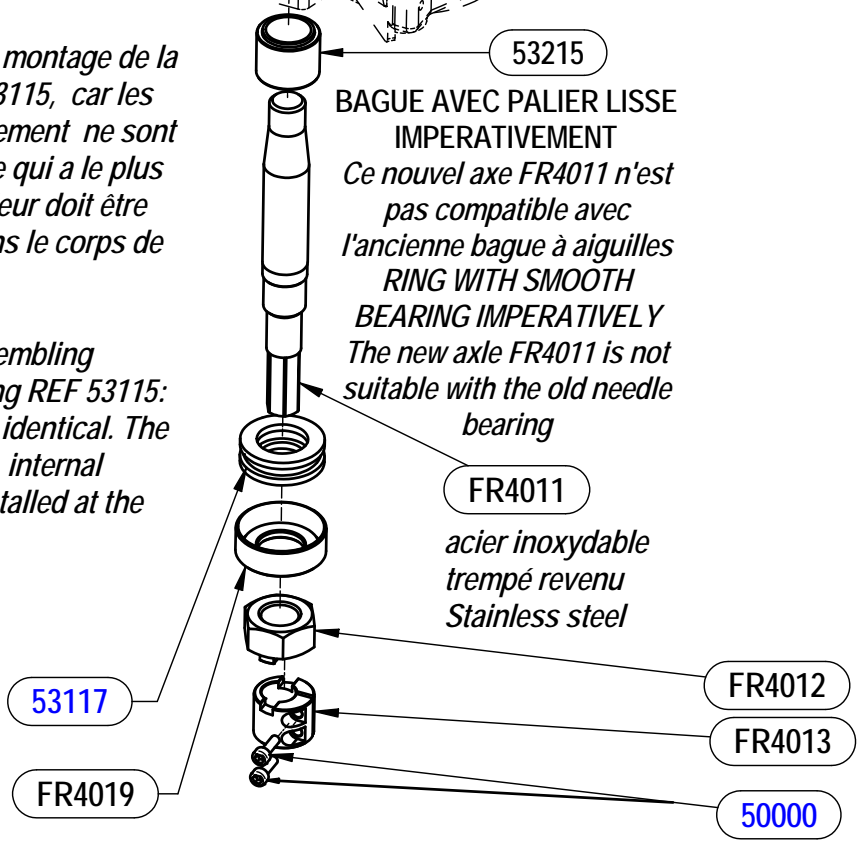
Important recall

When assembling the plate with the axle, you have to tighten the nut 51300 twice: after putting a drop of Loctite 262 into the nut, first tighten very strongly; then loosen and tighten again, fairly strongly.

Attention au sens de montage de la butée à billes REF 53115, car les deux bagues de roulement ne sont pas identiques. Celle qui a le plus grand diamètre intérieur doit être installée en haut, dans le corps de groupe.

Be careful to the assembling position of the bearing REF 53115: the two rings are not identical. The one with the bigger internal diameter must be installed at the top, inside the unit.

+ graisse PTFE 84236
+ Teflon grease 84236



Serrer modérément après réglage de l'écrou (vis M3)
Tighten moderately after adjusting the screw

KIT : FR1565 KIT AXE PLATEAU TANGO 1GR

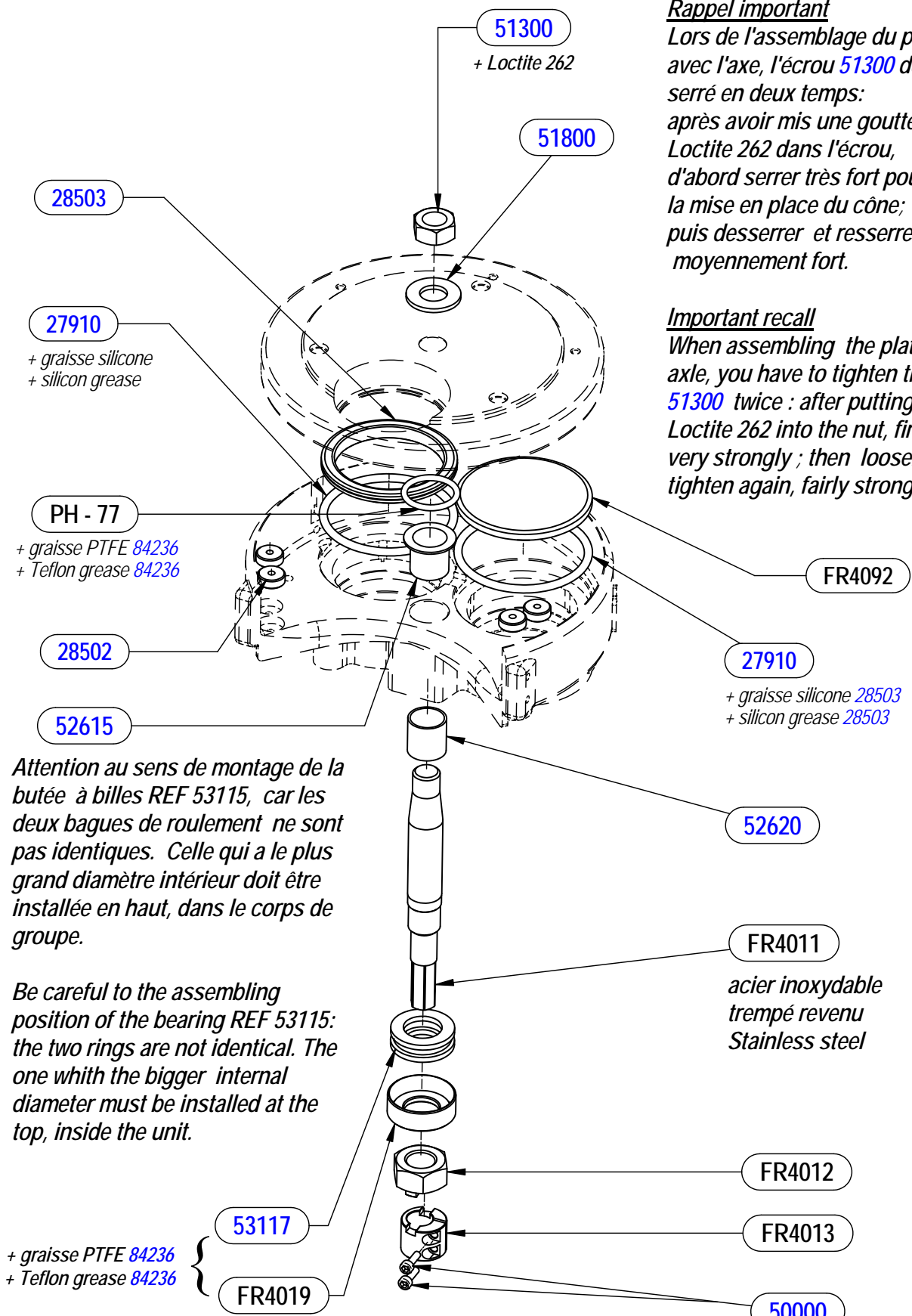
REF	DESIGNATIONS	DESIGNATIONS
27910	JOINT TORIQUE 3.53 X 53.37 VITON	GASKET
28502	BUTEE PLATEAU	BASE DIA: 12
28503	JOINT PLATEAU COMPLET	GASKET UNIT
50000	VIS TCHC M3 X 10	SCREW M3 X 10
51300	ECROU M12 X 125	NUT M12 X 125
51800	RONDELLE 12 X 24 X 2 INOX	WASHER 12
52615	COUSSINET XFM 15-17-15	BEARING 15-17-15
52620	COUSSINET XSM 15-17-15	BEARING 15-17-15
53117	BUTEE A BILLE 51102 d28xd15x9	THRUST BALL BEARING 28X15X16
FR4011	AXE PLATEAU	TURNABLE AXLE
FR4012	ECROU A TETONS	BREAST NUT
FR4013	BAGUE DE BLOCAGE	BLOCKING RING
FR4019	PROTECTION BUTEE A BILLE	BEARING COVER
FR4092	JOINT OBTURAPTEUR PISTON	GASKET
PH-77	JOINT TORIQUE 18.72 x 2.62	O-RING 18.72 X 2,62

Rappel important

Lors de l'assemblage du plateau avec l'axe, l'écrou 51300 doit être serré en deux temps: après avoir mis une goutte de Loctite 262 dans l'écrou, d'abord serrer très fort pour assurer la mise en place du cône; puis desserrer et resserrer moyennement fort.

Important recall

When assembling the plate with the axle, you have to tighten the nut 51300 twice : after putting a drop of Loctite 262 into the nut, first tighten very strongly ; then loosen and tighten again, fairly strongly.



Attention au sens de montage de la butée à billes REF 53115, car les deux bagues de roulement ne sont pas identiques. Celle qui a le plus grand diamètre intérieur doit être installée en haut, dans le corps de groupe.

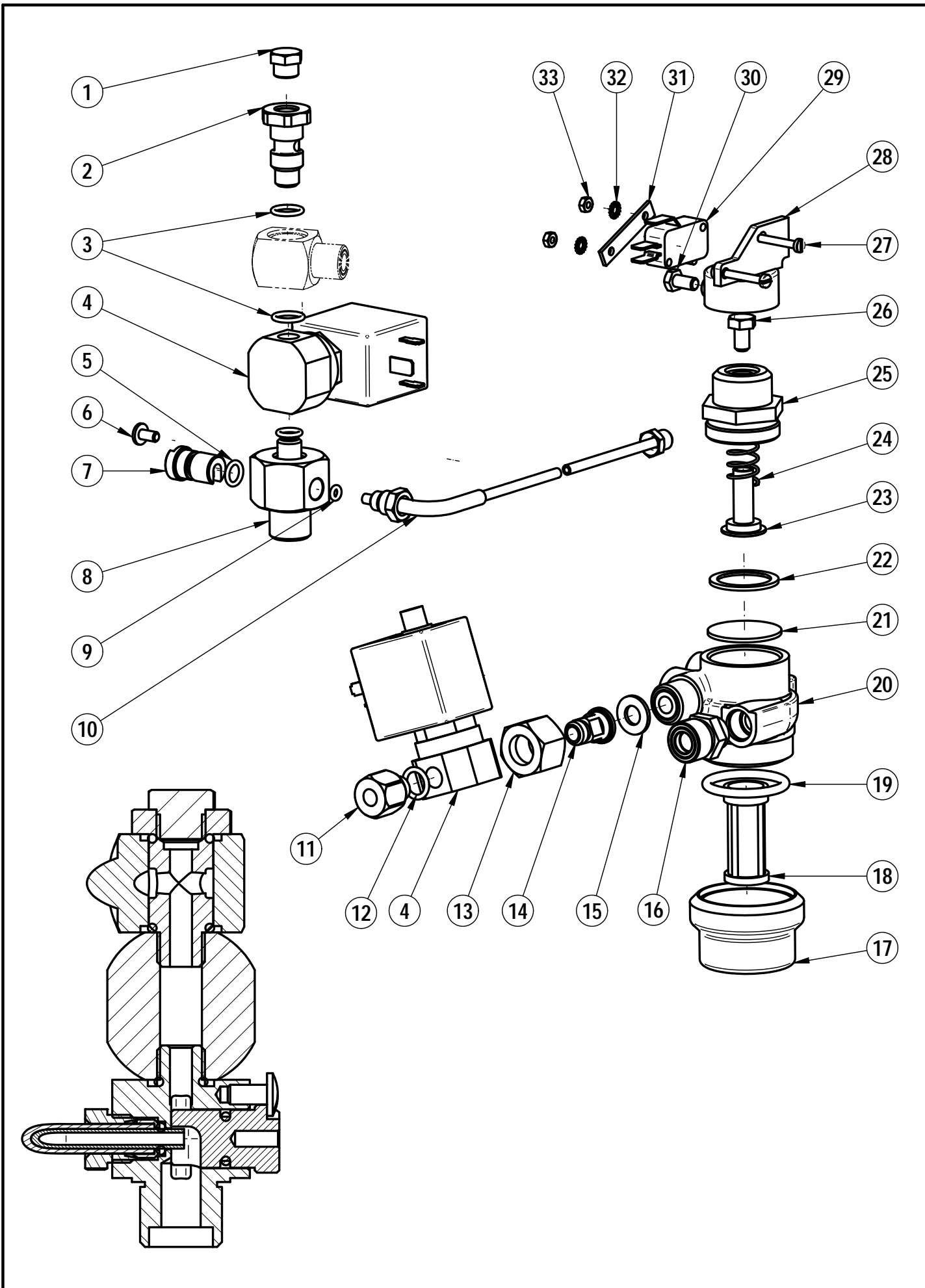
Be careful to the assembling position of the bearing REF 53115: the two rings are not identical. The one with the bigger internal diameter must be installed at the top, inside the unit.

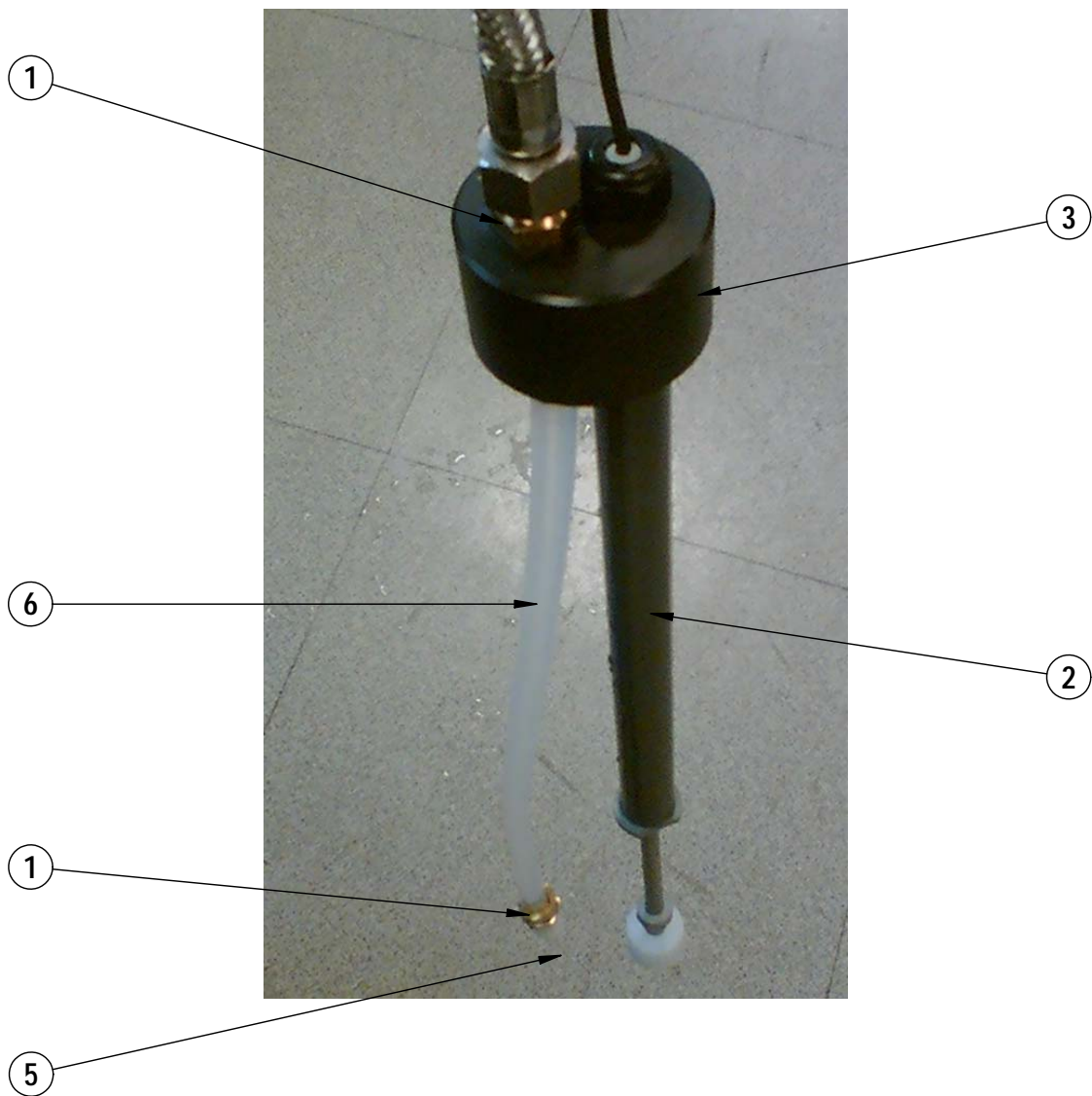
+ graisse PTFE 84236
+ Teflon grease 84236

Serrer modérément après réglage de l'écrou (vis M3)
Tighten moderately after adjusting the screw

FR1068 MELANGEUR EAU CHAUDE

REP	REF	DESIGNATIONS	DESIGNATIONS
1	21100	BOUCHON 1/8	PLUG 1/8
2	23766	AXE BANJO 1/4M - 1/8F	BANJO SCREW 1/4M 1/8F
3	CN-2850	JOINT TORIQUE 1,78X10,82	GASKET 10.82x1.78
4	CN-631R	ELECTROVANNE 2V REG 24V50-60HZ	ELECTROVALVE 2W ADJ. 24V50-60HZ
5	CN-436	JOINT TORIQUE 1,78X8,73 EPDM	GASKET 8,73 X 1,78
6	ID-129	VIS INOX POELIER VM 4 X 8	SCREW 4 X 8
7	FR4138	BOUCHON MELANGEUR	MIXER CAP
8	FR4136	RACCORD SORTIE EAU MITIGEE	MIXED WATER FITTING
9	TC-80	JOINT TORIQUE 1,78X2,90 FKM	GASKET 1.78X2.90 FKM
10	FR6505	TUBE PTFE L 730	PTFE PIPE L 730
11	FR4069	RACCORD 1/8M M8 X 100	FITTING 1/8M M8 X 100
12	28104	JOINT TORIQUE 2X9,5 FKM 80SH	GASKET 2X9,5
13	PB-21	ECROU 3/8 LAITON	FITTING 3/8
14	DO-74	RACCORD SOUPAPE HP	H.P VALVE CONNECTION
15	CH-16	JOINT CUIVRE RECUIT 3/8	WASHER - COPPER - 3/8
16	CN-441A	RACCORD 1/4M-3/8M	CONNECTION 1/4-3/8
17	FR4095	CUVE FILTRE LAITON	BRASS WATER SAFETY DISK
18	CN-96B	CARTOUCHE POUR FILTRE 80 MIC	FILTER CARTRIDGE 80 MICRONS
19	83501	JOINT TORIQUE 3,53 X 29,75 FKM	GASKET 3,53 X 29,75 FKMV
20	FR4057	BLOC FILTRE EAU MITIGEE	MIXED WATER FILTER BODY
21	PA-60	MEMBRANE DIAM. 30	MEMBRANE DIA.30
22	PB-89	RONDELLE POUR MEMBRANE	TIGHTENING WASHER
23	PB-88	PISTON	PISTON
24	CN-679	RESSORT SECU. EAU D13 P5 L30	SPRING
25	PB-98	EMBOUT	FITTING
26	51255	VIS TH M6 X 10 INOX	S. STEEL SCREW M6 X 10
27	CN-31	VIS TC M3 X 20 INOX	SCREW M3 X 20
28	CN-362	SUPPORT ALU POUR MINIRUPTEUR	MICROSWITCH HOLDER
29	CN-642	MINIRUPTEUR F=300GR FLASHE OR	MICROSWITCH
30	50204	VIS TH M5 x 10 INOX	SCREW M5 X 10
31	CN-37	PATTE INOX FIXATION MINIRUPT.	MICROSWITCH HOLDING BAR
32	CN-342	RONDELLE EVENTAIL 3	WASHER 3
33	PG-49	ECROU INOX Hu DE 3	NUT M3
34	FR8052	CABLE EV EAU MITIGEE	MIXED WATER EV CABLE





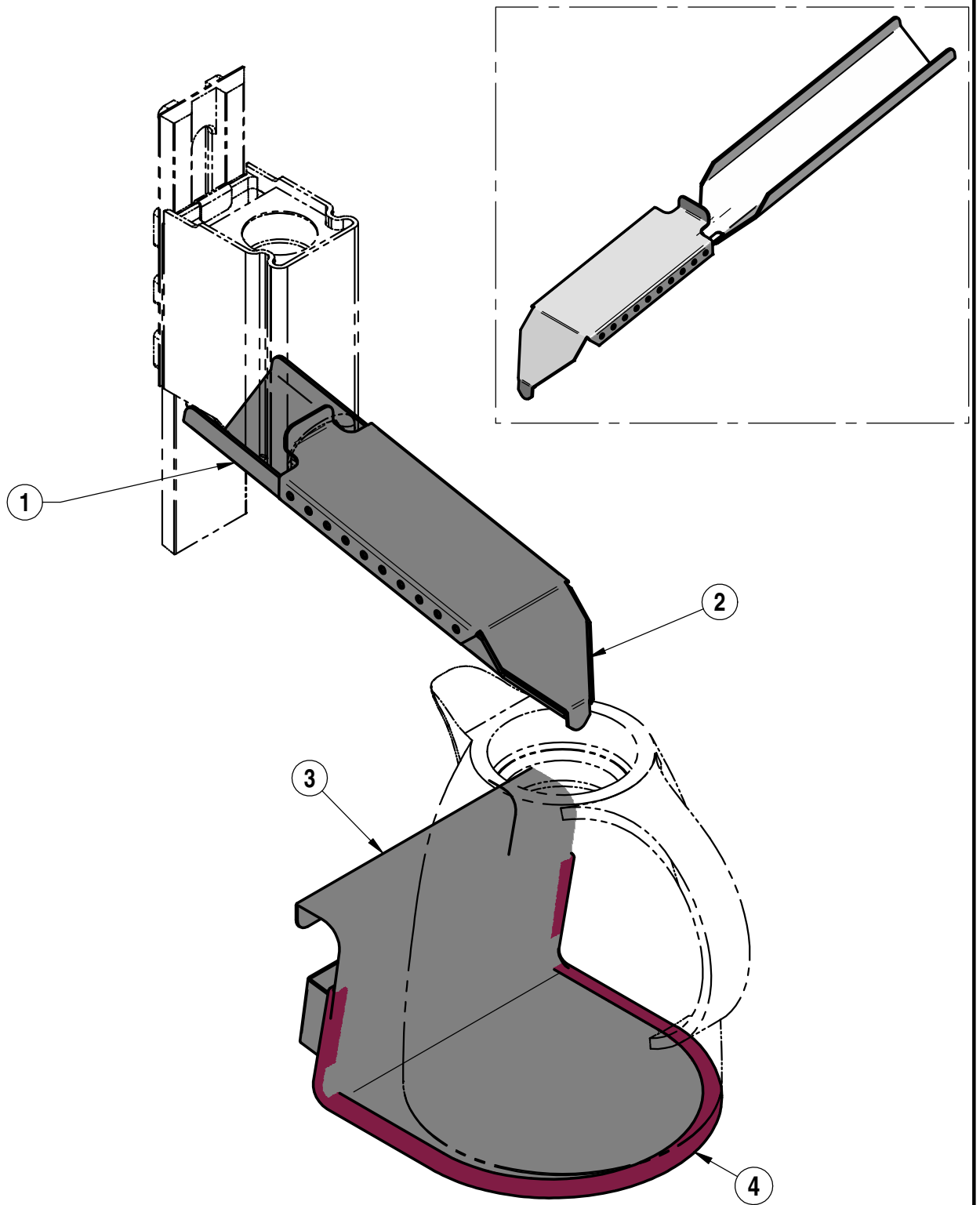
1	CN441A	RACCORD 1/4 3/8	FITTING 1/4 3/8	2
2	26530	SECURITE DE NIVEAU	LEVEL SECURITY	1
3	FR4076	BOUCHON POUR RESERVOIR	PLUG FOR TANK	1
4*	FR4077	RACCORD TETINE POUR RESERVOIR	FITTING NIPPLE FOR TANK	2
5	PB83	CREPINE 193D FEM 3/8	SUCTION GRID	1
6	12742	TUBE SILICONE D8-12 L55	SILICONE PIPE	1
N°	REF	DESIGNATION	DESIGNATION	Qté

04/14

FR1567

**SECURITE EAU RESERVOIR
FLOATING SECURITY**

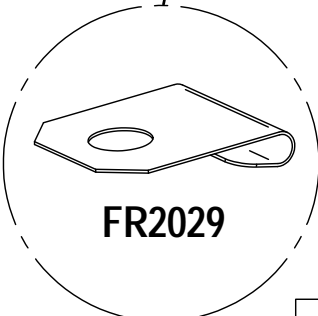
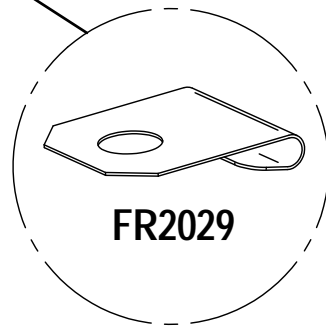
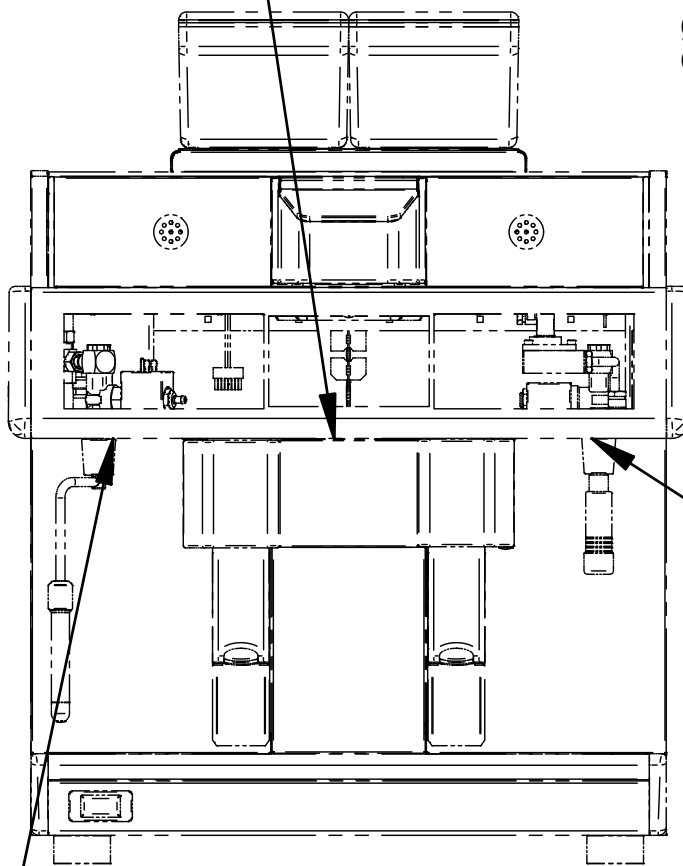
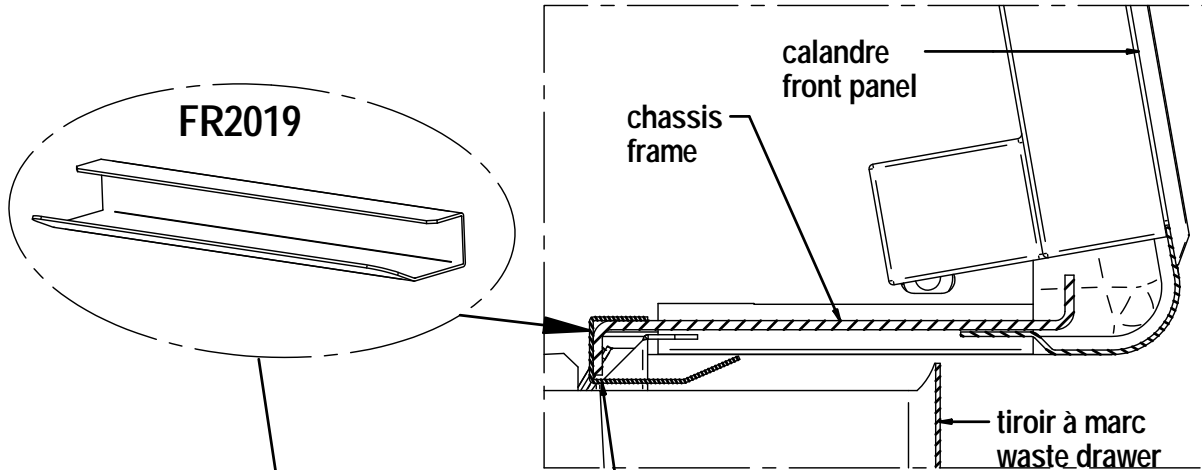
UNIC

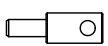

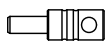


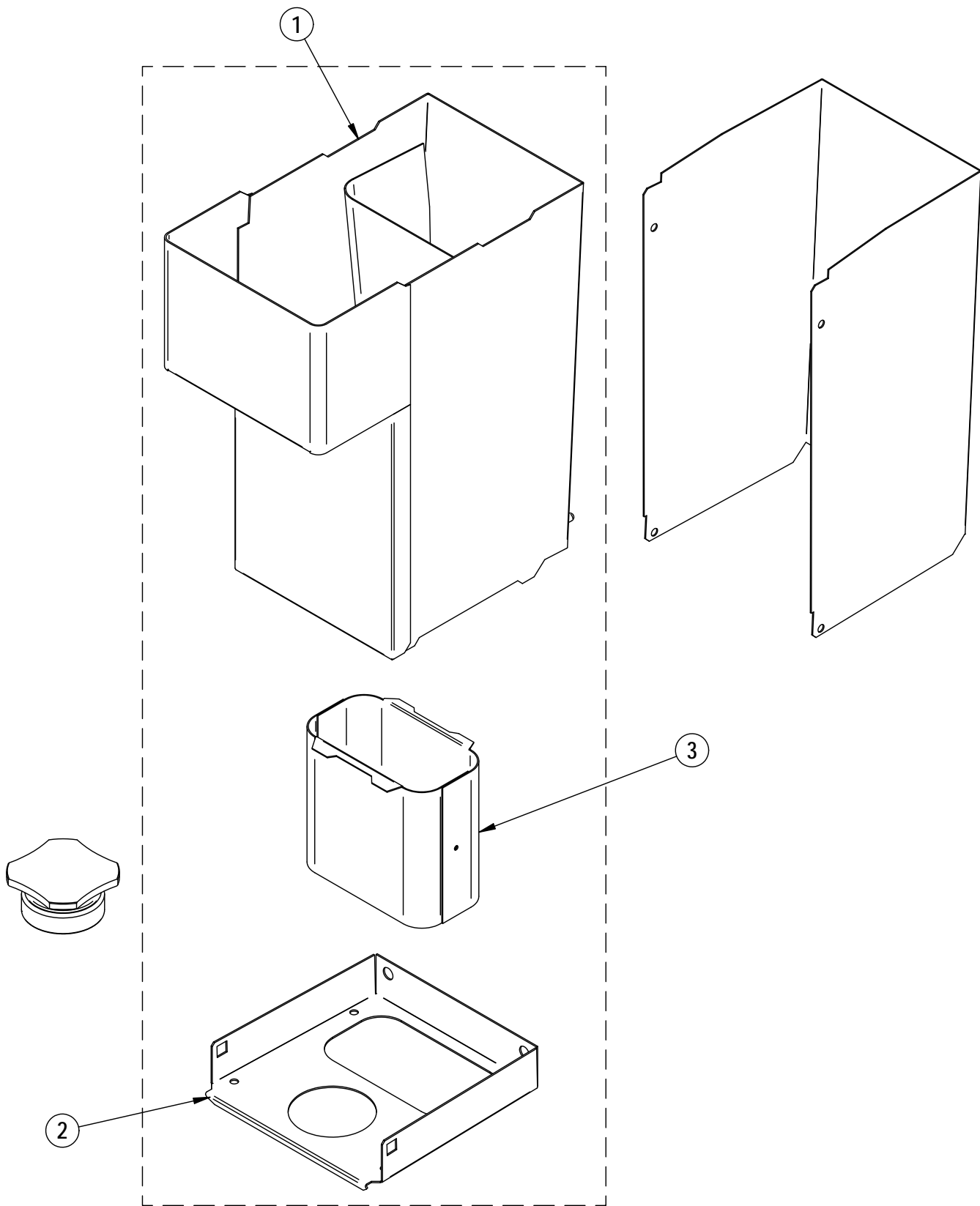
1	TG2043	BEC DEPORTE	SPOUT
2	TG2044	DESSUS BEC DEPORTE	SPOUT TOP
3	TG1036	SUPPORT POT	POT HOLDER
4	28850	PROFIL CAOUTCHOUC U LG:510	RUBBER GASKET
REP	REF	DESIGNATION	DESIGNATION

KIT : 2 TUBES LAIT

REF	DESIGNATIONS	DESIGNATIONS
FR2019	SUPPORT TUBE LAIT	MILK TUBE HOLDER
FR2029	TOLE MAINTIEN 2 TUBES LAIT	2 MILK TUBE SUPPORT SHEET
12706	TUBE SILICONE D4-7 L1100mm	SILICONE PIPE D4-7 L1100mm
26151	REDUCTEUR CAPPUCINATORE D1.7	CAPPUCINATORE REDUCER D1.7
26152	REDUCTEUR CAPPUCINATORE D2	CAPPUCINATORE REDUCER D2



12706- Ø4-7 L 1100mm	X1	 26151
		 26152



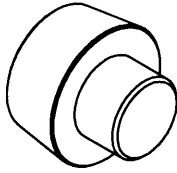
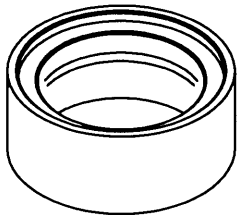
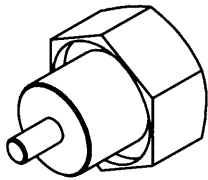
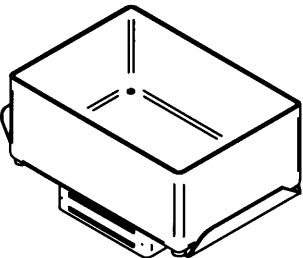
1	FR3141	TIROIR A MARC MONNAYEUR	COIN DEVICE DRAWER
2	FR3137	TOLE CENTRALE	CENTRAL SHEET
3	FR3134	GOULOTTE D'EVACUATION	DISCHARGE CHUTE
N°	REF	DESIGNATION	DESIGNATION

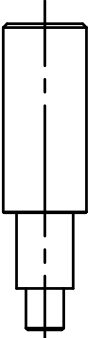
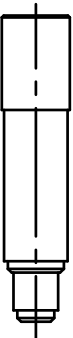

02/15

FR1072

KIT EVACUATION DIRECT
DIRECT EVACUATION KIT

UNIC

Ref:	Désignation / designation	Fonction / function	TANGO
		<p>Permet le montage du joint à lèvre Ø 37,5 28500 sur le piston FR4022.</p> <p><i>Permits the assembling of the lip joint Ø 37,5 28500 on the piston FR4022.</i></p>	
FR0100	OUTIL MONTAGE JOINT PISTON TOOL ASSEMBLING PISTON JOINT		
		<p>Permet le recalibrage du joint à lèvre Ø 37,5 pour assembler le piston FR4022 dans sa chemise FR4021.</p> <p><i>Permits to re-calibrate the lip joint Ø 37,5 to assemble the piston FR4022 in its infusion chamber FR4021.</i></p>	
FR0101	MATRICE MONTAGE JOINT PISTON MOULD FOR PISTON JOINT		
		<p>Permet de monter la collerette de fixation FR4028 sur le motoréducteur 24V 500tr/mn 37305 et le précentrer pour avoir un bon alignement lors du montage entre le motoréducteur et l'axe du piston.</p> <p><i>Permits to assemble the plating ring FR4028 on the 24V 500tr/mn motoreducer 37305 and to center it in order to get a good alignment when assembling the motoreducer and the axle of the piston.</i></p>	
FR0103	CENTREUR MOTOREDUCTEUR PISTON CENTERING TOOL FOR MOTOREDUCTER		
		<p>Permet de récupérer la dose de café moulu pour contrôler son poids pour le réglage de la mouture et de l'étalonnage des moulins.</p> <p><i>Permits to take the ground coffee dose to control its weight for the adjustment of the grinding and the grinders setting.</i></p>	
FR0104	KIT RECUPERATEUR DOSE CAFE COFFEE DOSE RECOVERY KIT		

Ref:	Désignation / designation	Fonction / function TANGO
		Permet de positionner à l'aide d'un maillet : - Sur le support moteur FR4020 , le coussinet XFM10-12-9 52610 . - Sur le corps laiton FR4000 , le coussinet HFM15-17-17 52615 et la bague à aiguille HK1516 53215 . <i>Permits with the help of a maul to place :</i> - On the motor holder FR4020 the bearing 10-12-9 52610 . - On the brass body FR4000 the bearing 15-17-17 52615 and the bearing stud 21x15x16 53215 .
FR0102	OUTIL MONTAGE DOUILLES TOOL FOR ASSEMBLING SLEEVES	
		Permet de retirer à l'aide d'un maillet : - Sur le support moteur FR4020 le coussinet XFM10-12-9 52610 , - Sur le corps laiton FR4000 le coussinet HFM15-17-17 52615 et la bague à aiguille HK1516 53215 . <i>Permits with the help of a maul to take off :</i> - On the motor holder FR4020 the bearing 10-12-9 52610 . - On the brass body FR4000 the bearing 15-17-17 52615 and the bearing stud 53215 .
FR0110	OUTIL CHASSE DOUILLES TOOL FOR DRIVING OUT SLEEVES	
		Permet de visser et dévisser l'écrou à encoche M10x75 51250 Permet de manoeuvrer le piston , de le monter, le descendre et le débloquer sans alimenter le motoréducteur du piston <i>Permits to screw and unscrew the nut M10x75 51250</i> <i>Permits to handle the piston to make it go up, go down and release it without feeding the motoreducer of the piston.</i>
FR0107	CLE ECROU A ENCOCHE M10 X 75 NOTCH NUT M10 X 75	
84235	GRAISSE PTFE 100g GREASE PFTE 100g	Graissage de la partie intérieure du piston FR4122 , le ressort 28820 , la butée à bille du piston 53110 , l'axe du piston FR4023 et la butée à billes du plateau 53117 . <i>Greasing the low part of the piston FR4122 and the spring 28820, the trust ball bearing of the piston 53110, the axle of the piston FR4023 and the trust ball bearing of the plate 53117.</i>
84236	GRAISSE PTFE 500g GREASE PTFE 500g	
84230	PATE DE CONTACT CONTACT PASTE	Permet d'améliorer l'échange thermique, en mettre sur la cartouche chauffante 29830 et la sonde thermostatique 34410 situé dans le corps laiton FR4000 . <i>Permits to improve the thermic exchange, put it on the heating element 29830 and the thermostat probe 34410 located in the brass body FR4000.</i>

Mode opératoire pour l'utilisation du produit détergent TANGO

How to use the TANGO cleaning product

A l'usage uniquement des techniciens de maintenance - *Only for maintenance engineers*

Lire les précautions d'emploi sur le flacon - *Read carefully the notice on the bottle*

Périodicité: tous les 2 mois ou tous les 20 000 cafés

Periodicity: every 2 month or every 20 000 coffees

1. - Retirer le tiroir à marc et le vider
Pull out and empty the coffee drawer



2. - Dévisser le bouchon du compartiment produit de nettoyage.
Unscrew the cork of the cleaning compartment

3. - Verser une dose du produit détergent dans la cuillère doseuse
Drop the cleaning product into the dosing spoon



4. - Vider le contenu de la cuillère dans le compartiment produit en faisant attention de ne pas en renverser.
Pour the containing of the spoon into the product compartment paying attention to keep upright

5. - Revisser le bouchon sans le bloquer
Screw down the cork without blocking it



6. - Remettre le tiroir en place et appuyer pendant 3 secondes sur la touche + pour lancer le cycle de nettoyage qui va durer environ 8 minutes.
Replace the drawer and push 3 seconds on the key + to make the cleaning cycle run. The duration of the cycle is about 8 minutes

7. Répéter l'opération depuis le début mais sans mettre de produit détergent afin de parfaire le rinçage. Attention, même si le produit détergent n'est pas utilisé, les étapes 1-2-5 et 6 sont indispensables pour pouvoir lancer le cycle de "rinçage"
Start the cycle again but without using cleaning product in order to improve the rinsing. Be careful, even without using cleaning product, the steps 1-2-5 and 6 are compulsory to enable the running of the rinsing cycle.

LISTE DES DETERGENTS MIS A VOTRE DISPOSITION

DETERGENTS LIST AT YOUR DISPOSITION

Uniquement pour les techniciens de maintenance :

Nettoyage tous les mois : UNIC TANGO détergent réf : 92030 (bouteille de 1l)

Only for the maintenance technicians:

Cleaning every month: UNIC TANGO detergent ref: 92030 (bottle: 1l)

Pour le nettoyage quotidien sur la TANGO :

Pastille détergente réf : [92025](#) (boite de 100 pastilles)

Daily cleaning for TANGO:

Detergent tablet ref: [92025](#) (100 tablets per box)

Pour le nettoyage quotidien du circuit lait:

Liquide détergent réf : 92023 (bouteille de 1l)

Daily cleaning for milk circuit:

Detergent liquid ref : 92023 (Bottle: 1l)

**CARTES ELECTRONIQUES /
ELECTRONICAL CARDS**

**« TANGO EQUIPEES DES VERSIONS CPU V 115 / V 118 V119W »
MISE EN PLACE NOUVELLE CPU 194 (ABS) et +**

PROCEDURE

1. ***CARTE DATA : récupérer les données = code 4442 UPLOAD.**
2. **ATTENDRE LA FIN DE L'OPERATION.**
3. Arrêter la machine = 0/1
4. Installer les nouvelles pattes « ABS » (si cela n'a pas été fait) sur le plateau
5. Retirer l'ancienne CPU, installer la **nouvelle carte CPU V194 (ou +), verrouiller les clips « haut et bas »**
6. Remettre la machine en fonction = 0/1
7. **Attendre la mise en température et la fin de l'autocontrôle.**
8. **Faire le code = 3331 (remise à 0 des compteurs)**
9. **Faire le code = 3332 (remise à 0 du nettoyage « 26h »)**
10. ***CARTE DATA : installer les données = code 4441 DOWNLOAD.**
11. **ATTENDRE LA FIN DE L'OPERATION.**
12. ***CARTE TECHNICIEN : vérifier le programme = HORLOGE, heure / jour / mois / jour de la semaine.**
13. ***CARTE TECHNICIEN : vérifier le programme = TEMPERATURE, TV : TG : TC : appuyer sur + TVS=00 « si pas de steam'air » TVS = 62 « si sortie steam'air »**
14. ***CARTE TECHNICIEN : vérifier le programme = TIROIR A MARC : 90 « 00 si évacuation directe »**
15. ***CARTE TECHNICIEN : aller dans le programme = NIVEAUX DE TASSAGE faire simplement clignoter une valeur et ressortir pour provoquer un autocontrôle 1 et 2**
16. **ATTENDRE LA FIN DE L'OPERATION.**
17. ***CARTE TECHNICIEN : aller dans le programme = ETALONNAGE MOULINS ajuster la mouture et procéder aux étalonnages 1 et 2**
18. Revenir à la position **fonction d'utilisation et retirer la carte « technicien ».**
19. **Vider le bac à marc, le remettre en place et appuyer sur « + »**
20. Faire un nettoyage pastille.

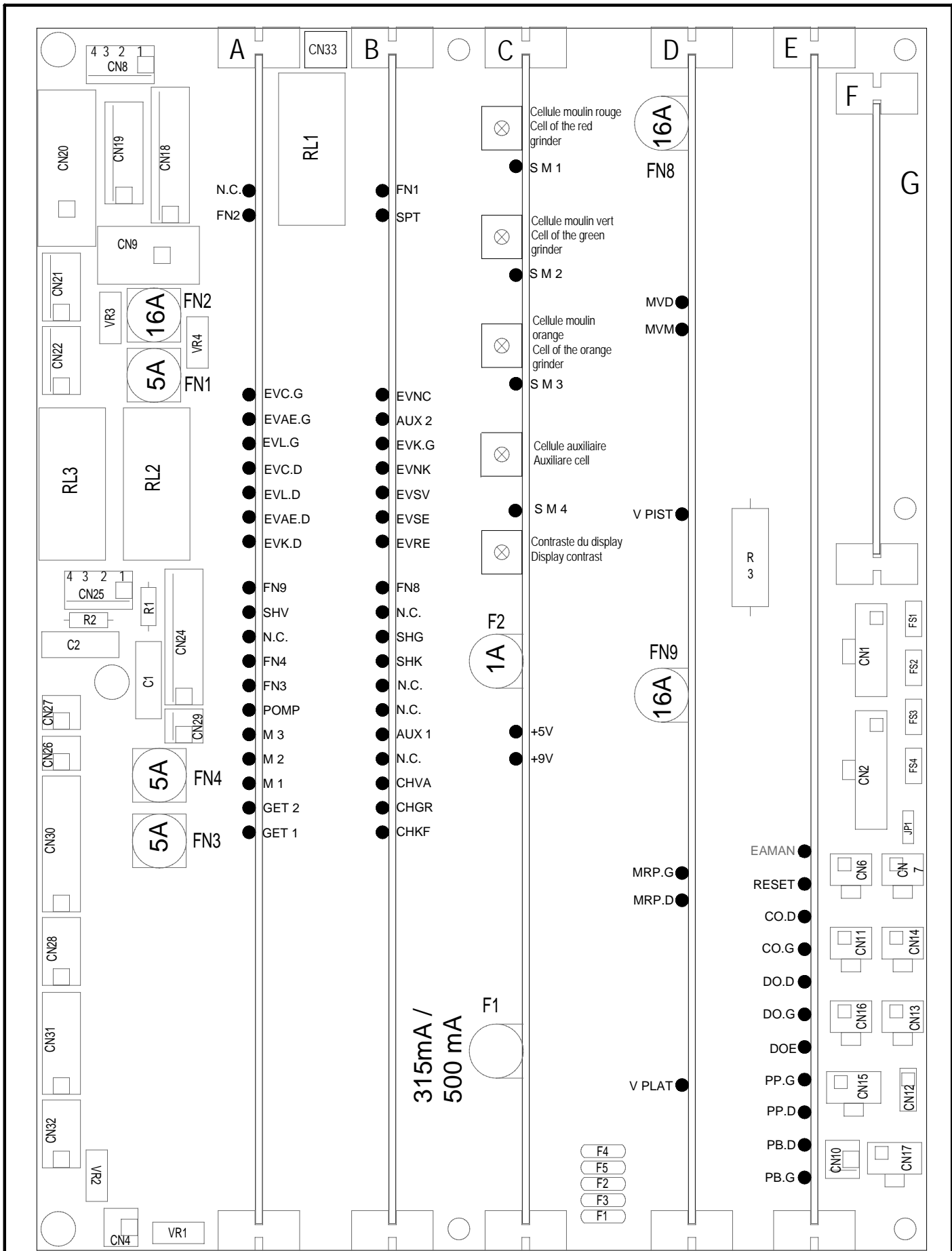
*** Utiliser le livre « FORMATION TANGO »**

**“TANGO EQUIPPED WITH THE VERSION V 108 / V 115 / V 118”
INSTALLING THE NEW CPU V194, and more**

PROCEDURE

1. ***DATA CARD:** to get the information = **code 4442 UPLOAD.**
2. **WAIT THE END OF THE OPERATION.**
3. Switch off the machine = 0/1
4. Install the new turntable stop plate on the turntable.
5. Remove the old CPU, install the new CPU, **relocks the clips «up and down »**
6. Switch on the machine = 0/1
7. **Wait the machine reaches the temperatures and wait the end of auto-control.**
8. **Make the code 3331 = reset the counter.**
9. **Make the code 3332 = reset the cleaning cycle.**
10. ***DATA CARD:** install the information = **code 4441 DOWNLOAD.**
11. **WAIT THE END OF THE OPERATION.**
12. ***TECHNICIAN CARD:** check the programme = **CLOCK**, hour / day / month / day of the week.
13. ***TECHNICIAN CARD:** check the programme = **TEMPERATURE: TV= TG= TC= ; press + TVS = 00 “if not steam’air” TVS= 62 “if steam’air”**
14. ***TECHNICIAN CARD:** check the programme = **DRAWER CAPACITY: 90; if the machine is equipped with kit “direct evacuation” = 00**
15. ***TECHNICIAN CARD:** go into the programme = **PACKING LEVELS** make a value **blink and go out to provoke a auto-control 1 et 2**
16. **WAIT THE END OF OPERATION.**
17. ***TECHNICIAN CARD:** go into the programme = **GRINDERS SETTING** adjust the **ground coffee and proceed to the calibration, setting 1 et 2**
18. Go back to using function and remove the technician card.
19. **Empty the coffee drawer, put it on and press “+”**

*** Use the technical book « TANGO TRAINING »**



IMPORTANT : TOUS LES FUSIBLES SONT RETARDES
 WARNING : ALL FUSES ARE DELAYED

SYNOPTIQUE TANGO S DUO / SYNOPTIC TANGO S DUO

RECEPTEURS / RECEPTORS

N°	Rep	Désignations / Designations	Reference
1	M1	Moulin n° 1 / Grinder n°1	
2	M2	Moulin n° 2 / Grinder n°2	
3	M3	Moulin n° 3 / Grinder n°3 (option)	
4	POMP	Moteur pompe / Pump motor	
5	CHKF	Elément chauffant de la chaudière café / Heating element of the coffee boiler	
6	CHGR	Elément chauffant du groupe / Heating element of the unit	
7	CHVA	Elément chauffant de la chaudière vapeur / Heating element of the steam boiler	
8	MVM.G	Moteur vérin "montée" du groupe gauche / Motoreducer "rising" of the left unit	
9	MVD.G	Moteur vérin "descente" du groupe gauche / Motoreducer "descent" of the left unit	
10	MVM.D	Moteur vérin "montée" du groupe droit / Motoreducer "rising" of the right unit	
11	MVD.D	Moteur vérin "descente" du groupe droit / Motoreducer "descent" of the right unit	
12	MRPG	Moteur rotation plateau vers la gauche / Motor rotation of the turntable to the left	
13	MRPD	Moteur rotation plateau vers la droite / Motor rotation of the turntable to the right	
14	EVRE	Electrovanne de remplissage / Filling electrovalve	
15	EVSE	Electrovanne de sortie eau chaude / Hot water outlet electrovalve	
16	EVSU	Electrovanne de sortie vapeur / Steam outlet electrovalve	
17	EVNK	Electrovanne de nettoyage des groupes café / Coffee units cleaning electrovalve	
18	EVDK	EV du circuit de décompression des groupes café/Discharge circuit electrovalve of the coffee units	
19	EVK.G	Electrovanne café du groupe gauche / Coffee electrovalve of the left unit	
20	EVK.D	Electrovanne café du groupe droit / Coffee electrovalve of the right unit	
21	EVNC	Electrovanne de nettoyage des circuits cappuccino / Cleaning electrovalve of the cappuccino circuits	
22	EVL.D	Electrovanne "Latte" de la sortie "LC" de droite / "Latte" electrovalve of the right "LC" outlet	
23	EVC.D	Electrovanne "Cappuccino" de la sortie "LC" de droite / "Cappuccino" electrovalve of the right "LC" outlet	
24	EVAE.D	Electrovanne ajout d'eau sortie café de droite / Water adding electrovalve of the right coffee outlet	
25	EVAE.G	Electrovanne ajout d'eau sortie café de gauche / Water adding electrovalve of the left coffee outlet	
26	EVL.G	Electrovanne "Latte" de la sortie "LC" de gauche / "Latte" electrovalve of the left "LC" outlet	
27	EVC.G	Electrovanne "Cappuccino" de la sortie "LC" de gauche / "Cappuccino;" electrovalve of the left "LC" outlet	
28	EA.MAN	Electro-aimant porte manuelle / Manual door electro-magnet	
29	EVBEC.D	Electrovanne "de bec" de droite / right "spout" electrovalve	
30	EVBEC.G	Electrovanne "de bec" de gauche / left "spout" electrovalve	

CAPTEURS / SENSORS

N°	Rep	Désignations / Designations	Reference
1	SEA	Sécurité présence eau / Water presence safety	
2	SNK	Sécurité bouchon du circuit de nettoyage des groupes / Plug safety of the cleaning circuit of the units	
3	SM1	Sécurité café du moulin 1 / Coffee safety of the grinder 1	
4	SM2	Sécurité café du moulin 2 / Coffee safety of the grinder 2	
5	SM3	Sécurité café du moulin 3 / Coffee safety of the grinder 3 (option)	
6	SHG	Sécurité surchauffe des groupes café/Overheating safety of the coffee units	
7	SHK	Sécurité élément chauffant de la chaudière café / Heating element safety of the coffee boiler	
8	SHV	Sécurité élément chauffant de la chaudière vapeur / Heating element safety of the steam boiler	
9	SMAN	Sécurité trappe manuelle (café moulu ou DK) / Manual door safety (ground coffee or Deca)	
10	SPT	Sécurité présence tiroir / Drawer presence safety	
11	DO.D	Doseur volumétrique du groupe droit / Doser of the right unit	
12	DO.G	Doseur volumétrique du groupe gauche / Doser of the left unit	
13	DOE	Doseur volumétrique de la sortie eau chaude / Doser of the hot water outlet	
14	PB.G	Position basse du vérin gauche / Low position of the left piston	
15	CO.G	Codeur du vérin gauche / Encoder of the left piston	
16	PB.D	Position basse du vérin droit / Low position of the right piston	
17	CO.D	Codeur du vérin droit / Encoder of the right piston	
18	PPG	Position plateau à gauche / Turntable left position	
19	PPD	Position plateau à droite / Turntable right position	
20	SNI	Sonde de régulation niveau chaudière vapeur / Regulation probe of the steam boiler level	
21	THV	Sonde thermostatique de la chaudière vapeur / Thermostatic probe of the steam boiler	
22	THG	Sonde thermostatique des groupes / Thermostatic probe of the units	
23	THK	Sonde thermostatique de la chaudière café / Thermostatic probe of the coffee boiler	
24	SNB	Sonde de niveau bas / Low level probe	
25	SNL1	Sécurité niveau lait 1 / Milk level 1 safety (option)	
26	SNL2	Sécurité niveau lait 2 / Milk level 2 safety (option)	

CORRESPONDANCE DES LEDS / CORRESPONDENCE OF THE LEDS

Rep.: A CARTE RELAIS / RELAYS CARD Ref :45321

Rep	Désignation	Designation
N.C.	Non attribué	Not attributed
FN2	Défaut fusible protection des Drivers	Driver protection fuse default
EVC.G	EV Cappuccino Sortie LC Gauche	Left Cappuccino EV
EVAE.G	EV Ajout Eau Sortie Café Gauche	Water adding EV of the Left Coffee Outlet
EVL.G	EV Lait Sortie LC Gauche	Left Milk EV
EVC.D	EV Cappuccino Sortie LC Droite	Right Cappuccino EV
EVL.D	EV Lait Sortie LC Droite	Right Milk EV
EVAE.D	EV Ajout Eau Sortie Café Droite	Water adding EV of the Right Coffee Outlet
EVK.D	EV Café du Groupe Droite	Coffee EV of the right unit
FN9	Défaut fusible protection plateau	Turntable protection fuse default
SHV	Sécurité Elément chauffant chaudière vapeur	Heating element safety of the coffee boiler
N.C.	Non attribué	Not attributed
FN4	Défaut fusible protection du primaire transfo toroïdal	Protection of the transformer primary Fuse default
FN3	Défaut du fusible protection des commandes 230V	Protection of the 230V controls Fuse default
POMP	Pompe	Pump
M 3	Moulin Orange (option)	Orange Grinder (option)
M 2	Moulin Vert	Green Grinder
M 1	Moulin Rouge	Red Grinder
GET 2	Bobine Monnayeur N°2	Coin device N°2 coil
GET 1	Bobine Monnayeur N°1	Coin device N°1 coil

Lorsque la led est allumée, l'élément correspondant est activé sauf pour les fusibles : lorsque la led est allumée, le fusible correspondant est coupé.(sauf FN3 allumé si fusible correct°)

When the led is lighted, the corresponding element is activated excepted for the fuses: when the led is lighted, the corresponding fuse is cut.(excepted FN3 lighted if correct fuse)

Rep.: B CARTE RELAIS / RELAYS CARD Ref : 45321

Rep.	Désignation	Designation
FN1	Défaut fusible protection des EV	EV protection fuse default
SPT	Sécurité Présence Tiroir à marc	Waste Drawer Safety
EVNC	EV Nettoyage Cappuccino	Cappuccino Cleaning EV
AUX2		
EVK.G	EV Café du Groupe Gauche	Coffee EV of the Left unit
EVNK	EV Nettoyage du Groupe Café	Coffee unit Cleaning EV
EVSU	EV Sortie Vapeur	Steam outlet EV
EVSE	EV Sortie Eau chaude	Hot water outlet EV
EVRE	EV de Remplissage Chaudières	Boilers Filling EV
FN8	Défaut fusible Protection des pistons	Pistons protection Fuse default
N.C.	Non attribué	Not attributed
SHG	Sécurité élément Chauffant du Groupe	Unit heating element safety
SHK	Sécurité élément Chauffant chaudière café	Coffee boiler heating element safety
N.C.	Non attribué	Not attributed
N.C.	Non attribué	Not attributed
AUX 1		
N.C.	Non attribué	Not attributed
CHVA	Elément Chauffant chaudière vapeur	Steam Boiler heating element
CHGR	Elément Chauffant du Groupe	heating element of the unit
CHKF	Elément Chauffant chaudière café	Coffee Boiler heating element

Lorsque la led est allumée, l'élément correspondant est activé sauf pour les fusibles : lorsque la led est allumée, le fusible correspondant est coupé.

When the led is lighted, the corresponding element is activated excepted for the fuses: when the led is lighted, the corresponding fuse is cut.

Rep.: C CARTE ALIMENTATION / SUPPLY CARD Ref :45323

Rep.	Désignation	Designation
S M 1	Sécurité Café Moulin rouge	Coffee safety of the red grinder
S M 2	Sécurité Café Moulin vert	Coffee safety of the green grinder
S M 3	Sécurité Café Moulin orange (option)	Coffee safety of the orange grinder (option)
S M 4	Non attribué	Not attributed
+ 5V	Voyant de l'alimentation 5V	5V supply light
+ 9V	Voyant de l'alimentation 9V	9V supply light

Lorsque la led est allumée, l'élément correspondant est activé .

When the led is lighted, the corresponding element is activated .

F2	Fusible secondaire transfo carte alimentation DO-146 Fusible 5 x 20 1A retardé T	Supply card transformer Secondary fuse Fuse 1A delayed
F1	Fusible primaire transfo carte alimentation 43105 Fusible 5 x 20 500 mA retardé T (43111 Fusible 5 x 20 315mA retardé T : possible)	Supply card transformer Primary fuse Fuse 500mA delayed (Fuse 315mA delayed: possible)

Rep.: D CARTE DRIVER / DRIVER CARD Ref: 45322

Rep.	Désignation	Designation
MVD	Descente piston	Piston down-stroke
MVM	Montée piston	Piston rising
V PIST	alimentation carte moteur piston	Piston motor board supply
MRP.G	Plateau - voyant rotation vers la gauche	Turntable – Rotation to the left light
MRP.D	Plateau – voyant rotation vers la droite	Turntable – Rotation to the right
V PLAT	alimentation carte moteur plateau	Turntable motor board supply

Lorsque la led est allumée, l'élément correspondant est activé .

When the led is lighted, the corresponding element is activated .

FN8	Fusible protection piston et secondaire 43110 Fusible 5 x 20 16A retardé T	Protection of the piston and secondary Fuse 16A delayed
FN9	Fusible protection plateau et secondaire du transfo toroïdal 43110 Fusible 5 x 20 16A retardé T	Protection of the turn-table and secondary of the transformer Fuse Fuse 16A delayed

**Rep: E CARTE MICROPROCESSEUR / CPU CARD Ref : 45324 (F)
45330 (E)**

Rep.	Désignation	Designation
EAMAN	Electro aimant trappe DK	Electro magnet for door
RESET	Reset	Reset
CO.D	Codeur Piston droite	Right piston position
CO.G	Codeur Piston gauche	Left piston position
DO.D	Doseur Volumétrique du Groupe Droite	Doser of the right unit
DO.G	Doseur Volumétrique du Groupe Gauche	Doser of the left unit
DOE	Doseur Volumétrique sortie eau chaude	Doser of the hot water outlet
PP.G	Position plateau à Gauche	Turntable left position
PP.D	Position plateau à Droite	Turntable right position
PB.D	Position basse du vérin Droit	Low position of the right piston
PB.G	Position basse du vérin Gauche	Low position of the left piston

Lorsque la led est allumée, l'élément correspondant est activé .
When the led is lighted, the corresponding element is activated .

**Rep.: F CARTE INTERFACE DU BOITIER CENTRAL ET
CLAVIERS ADDITIONNELS / INTERFACE CARD OF THE
CENTRAL BOX AND ADDED KEYBOARDS Ref :45325**

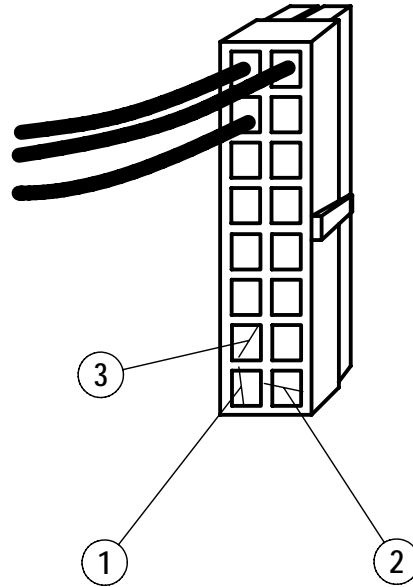
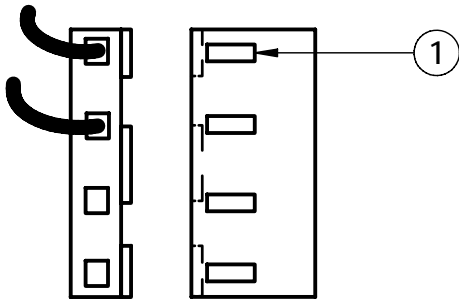
**Rep.: G CARTE MERE FUSIBLE DE PROTECTION / PROTECTION
FUSE MOTHER BOARD Ref : 45320**

Rep.	Désignation	Designation
FN1	Fusible protection des EV DV-79 Fusible 5 x 20 5A retardé T	EV protection fuse Fuse 5A delayed
FN2	Fusible protection de la carte Driver 43110 Fusible 5 x 20 16A retardé T	Driver card protection fuse Fuse 16A delayed
FN3	Fusible protection des commandes 230V DV-79 Fusible 5 x 20 5A retardé T	230V controls protection fuse Fuse 5A delayed
FN4	Fusible protection du primaire du transfo toroïdal DV-79 Fusible 5 x 20 5A retardé T	Transformer primary protection fuse Fuse 5A delayed

**CABLAGE CONNECTEURS /
WIRING CONNECTORS**

TYPE

CN4
CN8
CN10
CN18
CN19
CN21
CN22
CN24
CN25
CN26
CN27
CN28
CN29
CN30
CN31
CN32

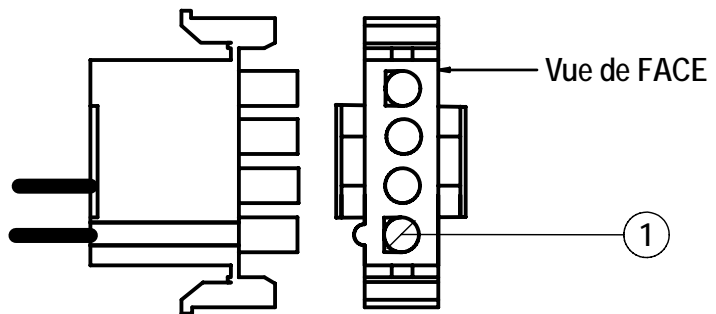


TYPE

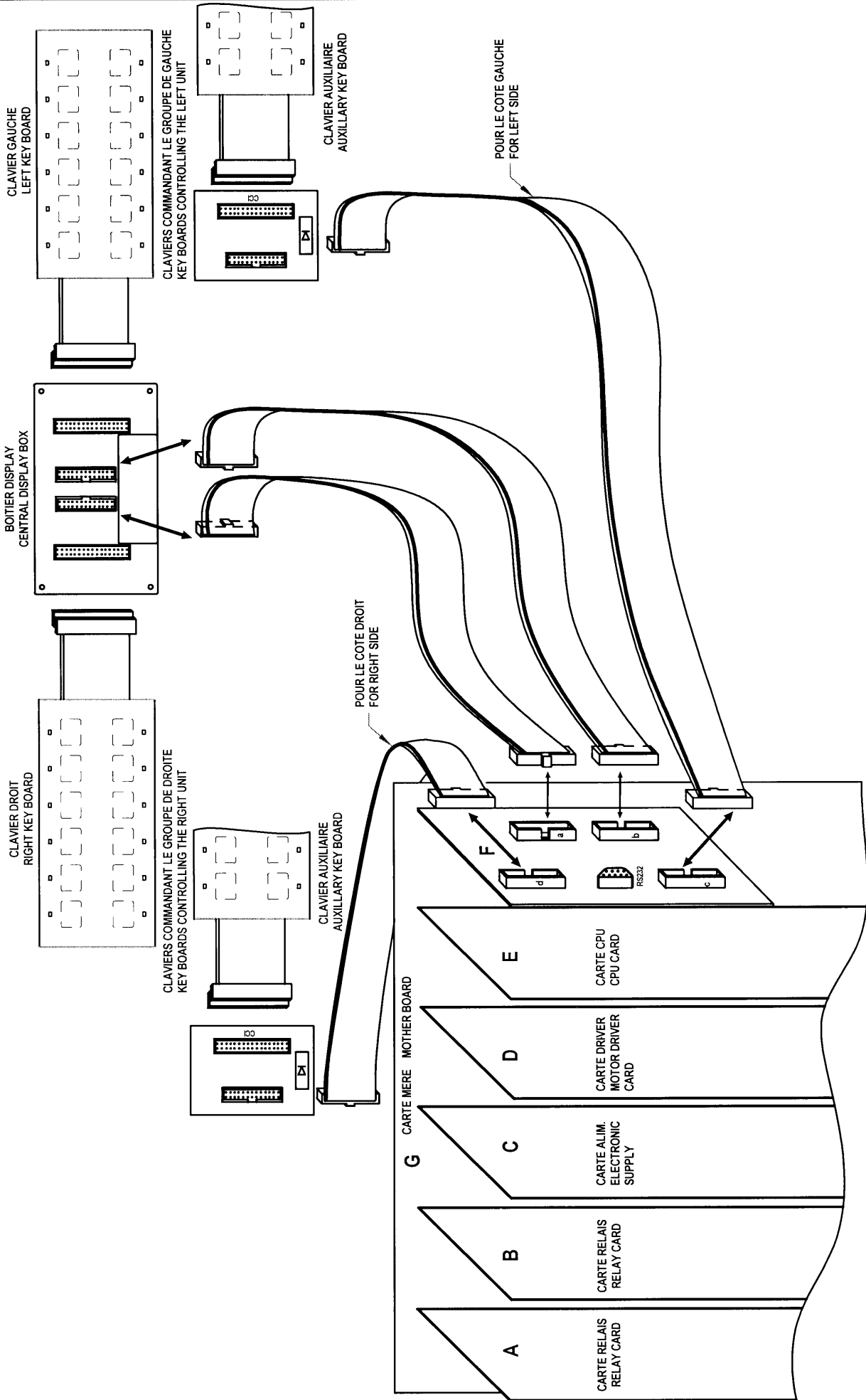
CN1
CN2
CN6
CN7
CN11
CN12
CN13
CN14
CN15
CN16
CN17

TYPE

CN20
CN9



VUE DE L'ARRIERE
VIEW FROM BACK



**Connexion des connecteurs sur carte-mère UNIC TANGO 2GR
Connector Listing UNIC TANGO 2 UNITS**

CN1	FR8005	SONDES DE NIVEAU - SONDES THERMOSTATIQUES LEVEL AND THERMOSTATIC PROBES
1		Masse / Ground
2	SNL2	Sécurité niveau Lait 2 / Milk level 2 safety
3	SNL1	Sécurité niveau Lait 1 / Milk level 1 safety
4	SNB	Sonde de niveau bas/ Low level probe
5	SNI	Sonde de régulation niveau chaudière vapeur : Regulation probe of the steam boiler level
6		Masse / Ground
7	THV	Sonde thermostatique chaudière vapeur / Thermostatic probe of the steam boiler
8		
9	THG	Sonde thermostatique groupe / thermostatic probe of the coffee unit
10		
11	THK	Sonde thermostatique chaudière café / Thermostatic probe coffee boiler
12		

CN2	FR8029	CAPTEURS PHOTO-ELECTRIQUES PHOTO-ELECTRIC SENSORS
1		Masse / Ground
2		Masse / Ground
3	SM1 in	Entrée / inlet
4	SM1 out	Sortie / outlet
5		Masse / Ground
6		Masse / Ground
7	SM2 in	Entrée / inlet
8	SM2 out	Sortie / outlet
9		Masse / Ground
10		Masse / Ground
11	SM3 in	Entrée / inlet
12	SM3 out	Sortie / outlet
13		Masse / Ground
14		Masse / Ground
15	SM4 in	
16	SM4 out	

CN4	FR8024	ZENNERS
1		Liaison des zeners dynamics / Connection of the zeners dynamics
2		

CN6	FR8000	CAPTEUR TRAPPE MANUELLE MANUAL TRAP SENSOR
1		Masse / Ground
2	+12V	Entrée / Inlet (+12V)
3	SMAN	Sortie / Outlet
4	n.u.	Non utilisé / Not used

CN7		PRESENCE TASSES CUP DETECTION SENSOR
1	Masse/Ground	Non utilisé / Not used
2	+12V	
3	SPC	
4	n.u.	

CN8	FR8025	ALIMENTATION MOTOREDUCTEURS PISTONS PISTON MOTOREDUCERS SUPPLY
1	(+ 24V)	Piston droit / Right piston (+)
2		Piston droit / Right piston (-)
3	(+ 24V)	Piston gauche / Left piston (+)
4		Piston gauche / Left piston (-)

CN9	FR8017 FR8018	MICROSWITCHES TIROIR A MARC DRAWER MICROSWITCHES
1	24Vac	Alimentation carte Driver - microswitches Tiroir à Marc Driver card feeding - the drawer microswitches
2	24Vac	

CN10	FR8025	ALIMENTATION MOTOREDUCTEUR PLATEAU TURN-TABLE MOTOREDUCER SUPPLY
1	(+24V)	(+)
2		(-)

CN11	FR8010	MICROSWITCHES DE SECURITE SAFETY MICROSWITCHES
1	Masse/Ground	Sécurité Manque Eau / Water lack safety microswitch
2	SEA	
3	Masse/Ground	Sécurité microswitch bouchon pastilles / Cleaning plug safety microswitch
4	SNK	

CN12		CLE DE PROGRAMMATION PROGRAMMING KEY
1	Masse/Ground	Clé de programmation / Programming key switch
2	MKEY	

CN13		MONNAYEUR N°2 COIN DEVICE N°2
1	Masse/Ground	Microswitch 1
2	MGET2-1	
3	Masse/Ground	Microswitch 2
4	MGET2-2	

CN14		FR8012	MONNAYEUR N°1 COIN DEVICE N°1
1	Masse/Ground		Microswitch 1
2	MGET1-1		
3	Masse/Ground		Microswitch 2
4	MGET1-2		

CN15		FR8009	CAPTEURS PISTON ET DOSEUR D'EAU DROITE RIGHT PISTON AND RIGHT WATER DOSER SENSORS
1			Masse / Ground
2	+12V		Alimentation (+12V) / Supply (+12V)
3	DOD		Sortie Doseur droit / Right water doser outlet
4	COD		Sortie Codeur droit / Right encoder outlet
5	PBD		Sortie Point Mort Bas Piston de droite / Right piston low position outlet
6	n.u.		

CN16		FR8008	CAPTEURS DOSEUR D'EAU WATER DOSER SENSORS
1			Masse / Ground
2	+12V		Entrée / inlet (+12V)
3	DOG		Sortie Doseur gauche / Left water doser outlet
4	DOE		Sortie Doseur Eau chaude / Hot water doser outlet

CN17	FR8004	POSITION PLATEAU ET CAPTEURS PISTON GAUCHE POSITION TURN-TABLE AND LEFT PISTON SENSORS
1		Masse / Ground
2	+12V	Entrée / inlet (+12V)
3	COG	Sortie Codeur gauche / Left Encoder outlet
4	PPD	Sortie Capteur gauche Plateau / Turn-table left sensor outlet
5	PPG	Sortie Capteur droit Plateau / Turn-table right sensor outlet
6	PBG	Sortie Point Mort Bas Piston de gauche / Left piston low position outlet

CN18	FR8015	ELECTROVANNES ET ELECTRO-AIMANTS ELECTROVALVES AND ELECTRO-MAGNETS
1	EVRE	EV remplissage chaudière / Boiler filling EV
2	EVSE	EV eau chaude / Hot water EV
3	EVSV	EV vapeur / Steam EV
4	EVNK //	EV nettoyage des / Unit cleaning EV
5	EVKG	EV café de gauche / Left coffee EV
6	EAMAN	Electro-aimant / Electro-magnet (29Vcc)
7	GND	Masse électroaimant (-) / Electro-magnet ground (-)
8	24Vac	Commun des EV / EV common

CN19	FR8016	ELECTROVANNES ELECTROVALVES
1	EVLG	EV lait gauche / Left milk EV
2	EVAEG	EV ajout d'eau gauche / Left water adding EV
3	EVCG	EV cappuccino gauche / Left cappuccino EV
4	EVNC	EV nettoyage cappuccini / cappuccini cleaning EV
5	24Vac	Commun des EV / EV common
6	24Vac	Commun des EV / EV common

CN20	FR8017 FR8018	SECONDAIRE DU TRANSFORMATEUR SECONDARY OF THE TRANSFORMER
1	AC1	Entrée du secondaire du transfo 22Vac et distribution Inlet of the secondary of the 22Vac transformer and distribution
2	AC1	
3	AC2	
4	AC2	

CN21	FR8003	ELECTROVANNES ELECTROVALVES
1	EVLD	EV lait droite / Right milk EV
2	24Vac	Commun des EV / EV common
3	EVCD	EV cappuccino droite / Right cappuccino EV
4	24Vac	Commun des EV / EV common

CN22	FR8002	ELECTROVANNES ELECTROVALVES
1	EVKD	EV café droite / Right coffee EV
2	24Vac	Commun des EV / EV common
3	EVAED	EV ajout d'eau droite / Right water adding EV
4	24Vac	Commun des EV / EV common

CN24	FR8024	SECURITE SURCHAUFFE OVER-HEATING SAFETY
1	SAM	Pont / Shunt
2	SAM	
3	SHK	Sécurité Café / Coffee boiler over-heating safety
4	SHK	
5	SHG	Sécurité Groupe / Unit heating safety
6	SHG	
7	SHV	Sécurité Vapeur / Boiler over-heating safety
8	SHV	

CN25	FR8018 FR8017	PRIMAIRE DU TRANSFORMATEUR PRIMARY OF TRANSFORMER
1	230Vac 1	Primaire du transformateur 230V et distribution Primary of the 230V transformer and distribution
2	230Vac 1	
3	230Vac 2	
4	230Vac 2	

CN26	FR8018 FR8017	LIAISON FUSIBLES FN4 CONNECTION OF FN4 FUSES
1	FN4	
2	FN4	

CN27	FR8030	CONTACTEUR GENERAL / TRANSFORMATEUR MAIN CONTACTOR / TRANSFORMER
1	230Vac 3	Bobine contacteur général et primaire du transformateur / Main contactor coil and transformer primary
2	230Vac 3	

CN28		BOBINES MONNAYEUR COIN DEVICE COILS
1	GET1	Bobine Monnayeur N°1 / Coin device N°1 coil (230Vac)
2	NEUTRE	
3	GET2	Bobine Monnayeur N°2 / Coin device N°2 coil (230Vac)
4	NEUTRE	

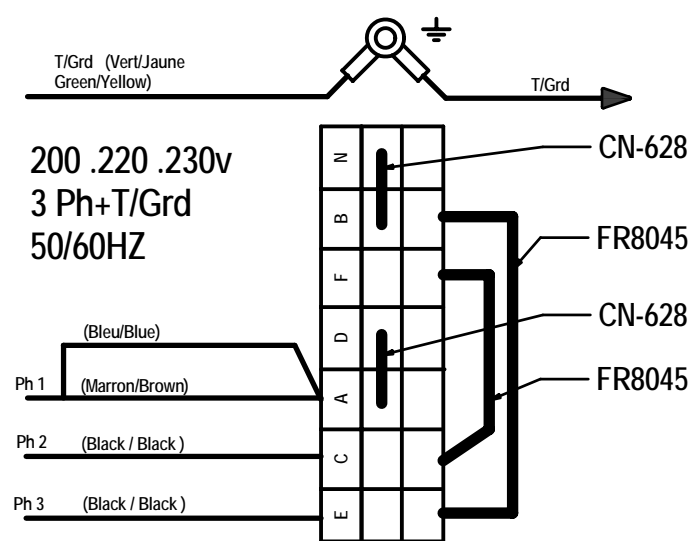
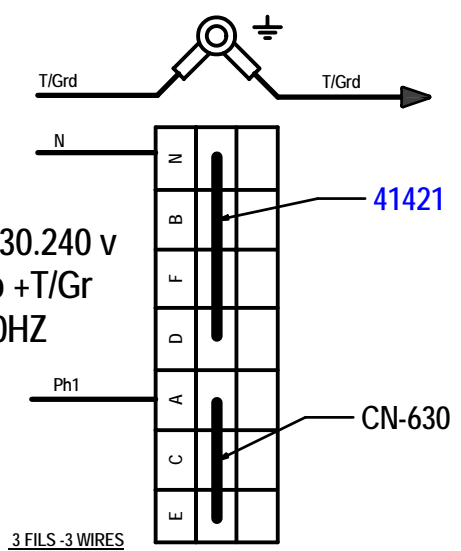
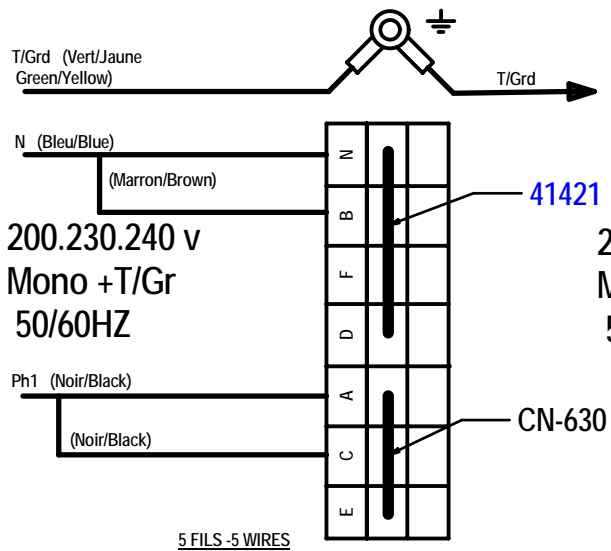
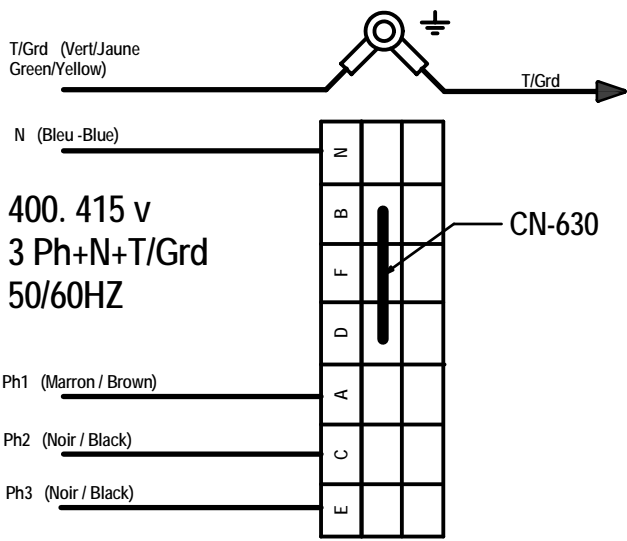
CN29		NON UTILISE NOT USED
1	NEUTRE	Auxiliaire / Auxiliary
2	AUX1	

CN30		FR8001	MOULINS ET POMPE GRINDERS AND PUMP
1	M1	Moulin Rouge / Red Grinder	
2	NEUTRE		
3	M2	Moulin Vert / Green Grinder	
4	NEUTRE		
5	M3	Moulin Orange / Orange Grinder	
6	NEUTRE		
7	POMPE	Pompe / Pump	
8	NEUTRE		

CN31		FR8024	CHAUFFAGES HEATINGS
1	NEUTRE	Contacteur chaudière café / Coffee boiler contactor	
2	CHKF		
3	NEUTRE	Résistance du groupe / Unit heating element	
4	CHGR		
5	NEUTRE	Contacteur chauffage vapeur / Steam heating contactor	
6	CHVA		

CN32		FR8018 FR8017	ALIMENTATION CARTE ELECTRONIQUE ELECTRONIC CARD SUPPLY
1	TERRE	Terre Machine / Machine Earth	
2	n.u.	Non utilisé / Not used	
3	NEUTRE	Neutre / Neutral	
4	PHASE	Phase / Phase	

CN33		FR8050	ELECTROVANNE / ELECTROVALVE
1	EVDK	Électrovanne vidange-décompression / drain électrovalve	
2	EVDK	Électrovanne vidange-décompression / drain électrovalve	



A PARTIR DU 3/09/01
FROM 3/09/01

**CODES D'ERREUR /
ERROR CODES**

CODES ERREURS TANGO
PROGRAMME A PARTIR DE V192

CODE ERREUR	COMPOSANTS IMPLIQUÉS	CAUSES POSSIBLES	SITUATION
1	Sonde de niveau haute	Débranchée	Permanent
2	Sondes de niveau haute et basse	Débranchées	Permanent
3	Sonde de niveau basse	Débranchée alors que la sonde haute est dans l'eau	Permanent
4	Rotation plateau	Mauvais positionnement du plateau Pas de rotation ou Temps de rotation trop long	Pendant la rotation
5	Sécurité de surchauffe du chauffage chaudière café	Thermostat de sécurité déclenché	Permanent
6	Sécurité de surchauffe du chauffage chaudière vapeur	Thermostat de sécurité déclenché	Permanent
7	Sécurité de surchauffe groupe	Thermostat de sécurité 110°C déclenché	Permanent
8	Bouchon de nettoyage	Bouchon de nettoyage ouvert	Permanent
9	Tiroir à marc	Tiroir à marc enlevé	Permanent
10	Descente piston gauche Time out de sécurité	Absence de consommation de courant du moteur <0,5A pendant 3 sec. Moteur débranché ou non alimenté	Autocontrôle Cycles café
11	Descente piston droit Time out de sécurité	Absence de consommation de courant du moteur <0,5A pendant 3 sec. Moteur débranché ou non alimenté	Autocontrôle Cycles café
15	Sécurité Trappe Déca ⇒	Trappe ouverte	Permanent
16	Fusible N°1 Coupé	Absence 24 Vac Alimentation EV	Permanent
17	Fusible N°2 Coupé	Absence 24 Vac Commande moteurs	Permanent
18	Fusible N°3 Coupé	Absence 230 Vac pour l'alimentation	Permanent
20	Fusible N°8 coupé	Absence 24Vcc driver pistons	Permanent
21	Fusible N°9 coupé	Absence 24Vcc driver plateau	Permanent
22	Carte data ne correspondant pas à la version de la CPU		
31	Codeur piston gauche	Absence impulsions codeur pendant la montée du piston de gauche	Permanent
32	PMBas piston gauche	Pas de signal du capteur PMBas avec consommation de courant > 0,5A, après le temps de sécurité de 3sec Après un 0/1 affichage du code 36	Autocontrôle Cycles café
33	Piston gauche ne monte pas Time out de sécurité	Absence de consommation de courant du moteur <0,5A pendant 3 sec. Moteur débranché ou non alimenté	Autocontrôle Cycles café
34	Déplacement erroné du piston gauche	Inversion branchement fils sur moteur. Après un 0/1 affichage du code 36	Autocontrôle Cycles café

35	Montée piston gauche Time out de sécurité	Temps de montée trop long > 3 sec	Autocontrôle Cycles café
36	Blocage piston gauche ou Défauts simultanés du codeur et du PMBas	Piston bloqué: moins de 5 impulsions après le départ et courant > 8A ou après un code 32 ou 34 Codeur et PMBas déconnectés ou défectueux.	Autocontrôle Cycles café
37	Piston gauche ne recule pas	Défaut codeur pendant la phase de recul	Cycles café
38	Codeur piston gauche	Défaut codeur pendant l'autocontrôle	Autocontrôle
41	Codeur piston droit	Absence impulsions codeur pendant la montée du piston de droite	Autocontrôle Cycles café
42	PMBas piston droit	Pas de signal du capteur PMBas avec consommation de courant > 0,5A, après le temps de sécurité de 3sec Après un 0/1 affichage du code 46	Autocontrôle Cycles café
43	Piston Droit ne monte pas	Absence de consommation de courant du moteur < 0,5A pendant 3 sec. Moteur débranché ou non alimenté	Autocontrôle Cycles café
44	Déplacement erroné du piston droit	Inversion branchement fils sur moteur. Après un 0/1 affichage du code 46	Autocontrôle Cycles café
45	Montée piston droit Time out de sécurité	Temps de montée trop long > 3 sec	Autocontrôle Cycles café
46	Blocage piston droit ou Défauts simultanés du codeur et du PMBas	Piston bloqué: moins de 5 impulsions après le départ et courant > 8A ou après un code 42 ou 44 Codeur et PMBas déconnectés ou défectueux.	Cycles café
47	Piston droit ne recule pas	Défaut codeur pendant la phase de recul	Cycles café
48	Codeur piston droit	Défaut codeur pendant l'autocontrôle	Autocontrôle
50	Sonde thermostatique de la chaudière café déconnectée	Absence de signal de la sonde thermostatique café (lecture sur afficheur TC=0)	Permanent
60	Sonde thermostatique de la chaudière vapeur déconnectée	Absence de signal de la sonde thermostatique vapeur (lecture sur afficheur TV=0)	Permanent
70	Sonde thermostatique du groupe déconnectée	Absence de signal de la sonde thermostatique du groupe (lecture sur afficheur TG=0)	Permanent
51	Sonde thermostatique de la chaudière café en court circuit	Sonde thermostatique café en court circuit ou câblage en court circuit (lecture sur afficheur TC=140)	Permanent
61	Sonde thermostatique de la chaudière vapeur en court circuit	Sonde thermostatique vapeur en court circuit ou câblage en court circuit (lecture sur afficheur TV=140)	Permanent
71	Sonde thermostatique du groupe en court circuit	Sonde thermostatique du groupe en court circuit ou câblage en court circuit (lecture sur afficheur TG=140)	Permanent
80	Sonde thermostatique vapeur débranchée ou court circuit		

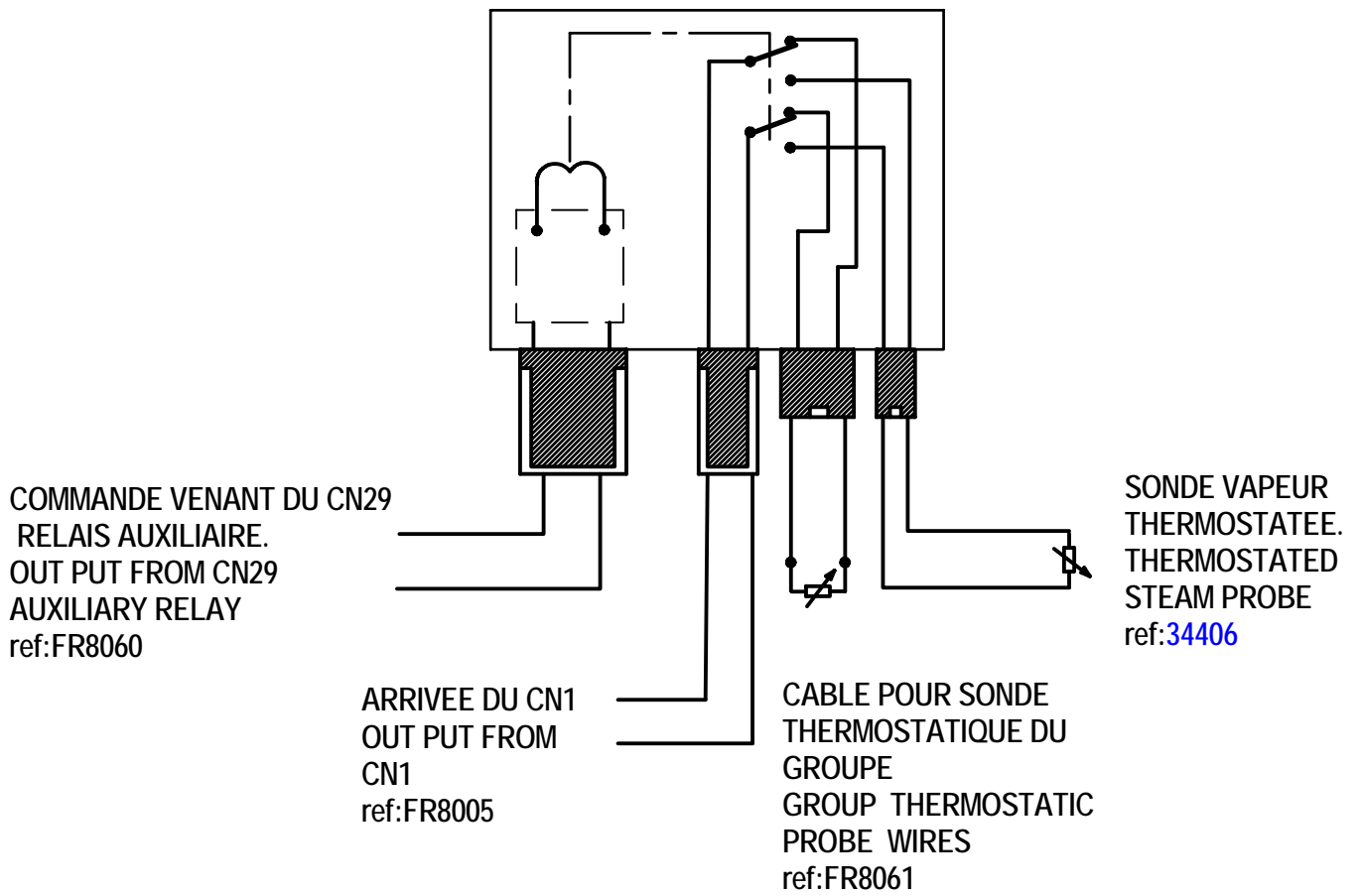
TANGO ERROR CODES
SOFTWARE VERSION FROM V192

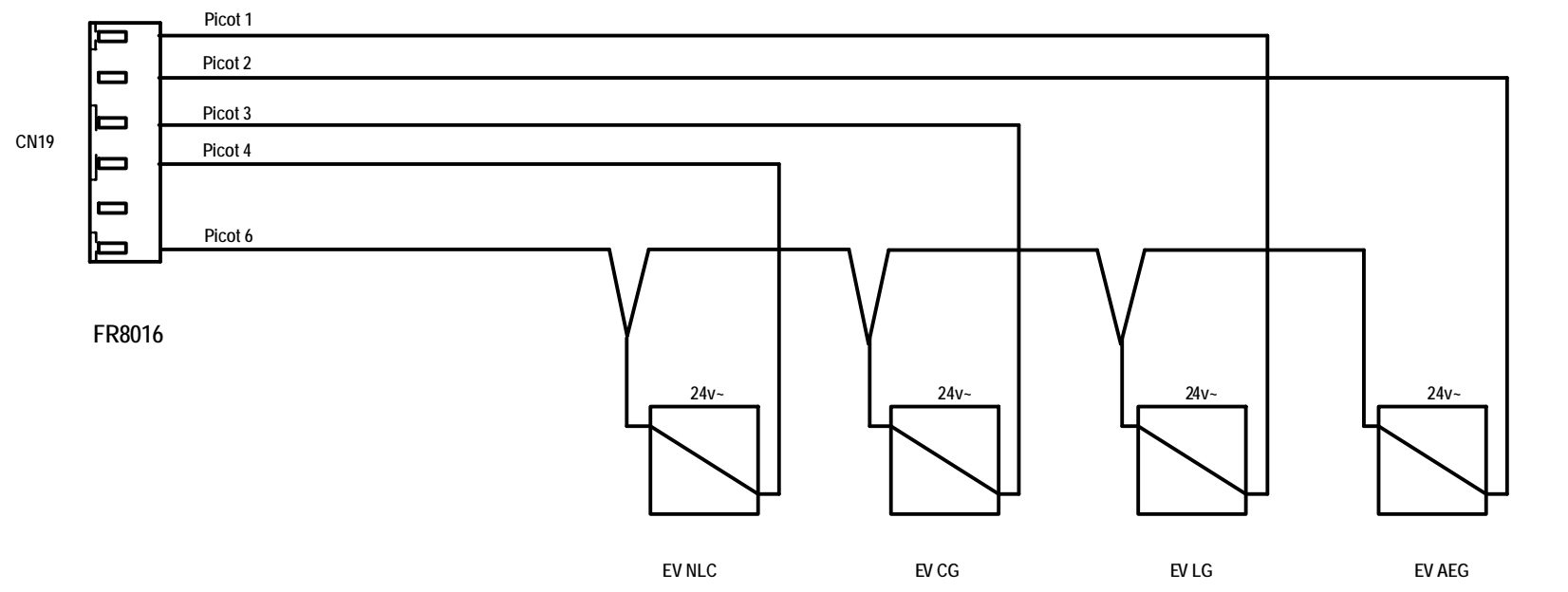
ERROR CODE	INVOLVED COMPONENTS	CAUSES	CIRCUMTANCES
1	High Level probe	Disconnected	Permanent
2	High and low level probes	Disconnected	Permanent
3	Low level probe	Disconnected when the high level probe is on water	Permanent
4	Turntable rotation	Wrong positioning No Rotation or Rotation time too long	During the rotation
5	Overheating safety of coffee boiler	Safety thermostat released	Permanent
6	Overheating safety of steam boiler	Safety thermostat released	Permanent
7	Overheating safety of unit	110°C Safety thermostat released	Permanent
8	Cleaning cap	Cleaning cap removed	Permanent
9	Coffee drawer	Coffee drawer removed	Permanent
10	Descent of Left piston Safety Time out	No current consumption from the motor < 0,5A during 3 seconds. Motor disconnected or not supplied	Auto control Coffee cycle
11	Descent of Right piston Safety Time out	No current consumption from the motor < 0,5A during 3 seconds. Motor disconnected or not supplied	Auto control Coffee cycle
15	Safety of decaffeinated door	Door opened	
16	Fuse N°1 cut	No 24 Vac power supply to solenoid valves	Permanent
17	Fuse N°2 cut	No 24 Vac power supply to motors	Permanent
18	Fuse N°3 cut	No 230 Vac power supply	Permanent
20	Fuse N°8 cut	No 24 Vdc power supply to piston driver	Permanent
21	Fuse N°9 cut	No 24 Vdc power supply to turntable driver	Permanent
22	Data card which is not adapted to the CPU version		
31	Fork sensor	No impulse from fork sensor when left piston goes up	Permanent
32	Down Position sensor of Left piston	No signal from Down Position sensor with motor consumption > 0,5 A and after a safety time of 3 sec. After 0/1 display of code 36	Auto control Coffee cycle
33	No Rising of Left piston	No current consumption from the motor < 0,5A during 3 seconds. Motor disconnected or not supplied	Auto control Coffee cycle

34	Wrong direction of left piston	Wrong connection of motor wires. After 0/1 display of code 36	Auto control Coffee cycle
35	Rising of left piston Safety Time out	Rising time too long, over 3 sec	Auto control Coffee cycle
36	Left piston blocked or Simultaneous failures of fork sensor and Down Position sensor	Piston blocked: less than 5 impulses after the starting and current > 8A Fork sensor and Down Position sensor switched off or faulty Or after a code 32 or 34	Auto control Coffee cycle
37	Backward time out safety of Left piston	Fork sensor failure during the backward step	Coffee cycle
38	Fork sensor of Left piston	Fork sensor failure during auto control	Auto control
41	Fork sensor of Right piston	No impulse from fork sensor when Right piston goes up	Auto control Coffee cycle
42	Down Position sensor of Right piston	No signal from Down Position sensor with motor consumption > 0,5 A and after a safety time of 3 sec. After 0/1 display of code 46	Auto control Coffee cycle
43	No Rising of Right piston	No current consumption from the motor < 0,5A during 3 seconds. Motor disconnected or not supplied	Auto control Coffee cycle
44	Wrong direction of Right piston	Wrong connection of motor wires. After 0/1 display of code 36	Auto control Coffee cycle
45	Rising of Right piston Safety Time out	Rising time too long, over 3 sec	Auto control Coffee cycle
46	Right piston blocked or Simultaneous failures of fork sensor and Down Position sensor	Piston blocked: less than 5 impulses after the starting and current > 8A Fork sensor and Down Position sensor switched off or faulty Or after a code 42 or 44	
47	Backward time out safety of Right piston	Fork sensor failure during the backward step	Coffee cycle
48	Fork sensor of Left piston	Fork sensor failure during auto control	Auto control
50	Thermostatic probe of Coffee boiler disconnected	No signal from Thermostatic probe of Coffee boiler (Display shows TC=0)	Permanent
60	Thermostatic probe of Steam boiler disconnected	No signal from Thermostatic probe of Steam boiler (Display shows TV=0)	Permanent
70	Thermostatic probe of Unit disconnected	No signal from Thermostatic probe of Unit (Display shows TG=0)	Permanent
51	Thermostatic probe of Coffee boiler Short cut	Thermostatic probe of Coffee boiler Short cut or wiring short cut (Display shows TC=140)	Permanent
61	Thermostatic probe of Steam boiler Short cut	Thermostatic probe of Steam boiler Short cut or wiring short cut (Display shows TV=140)	Permanent
71	Thermostatic probe of Unit Short cut	Thermostatic probe of Unit Short cut or wiring short cut (Display shows TG=140).	Permanent
80	Thermostatic probe of steam boiler disconnected or short cut		

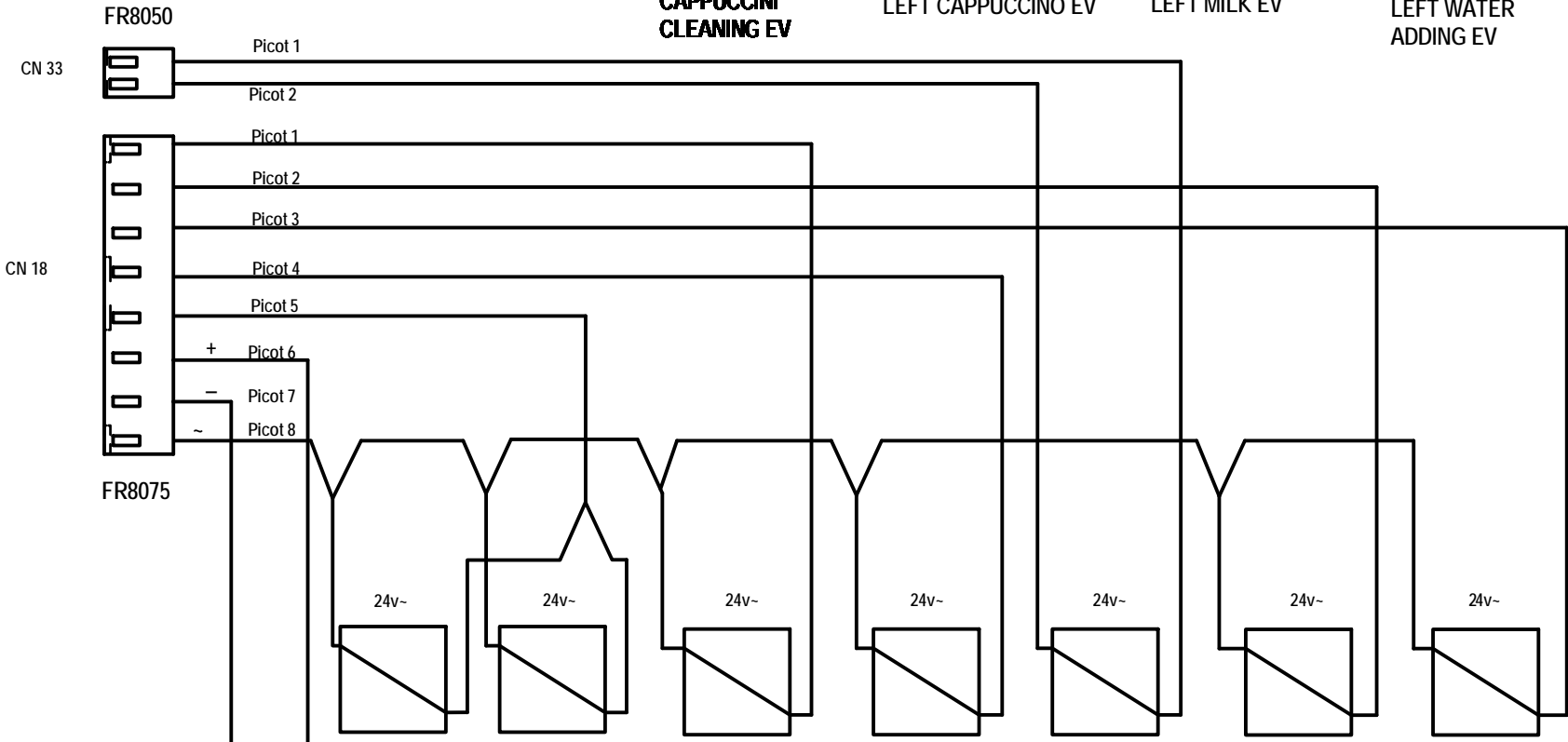
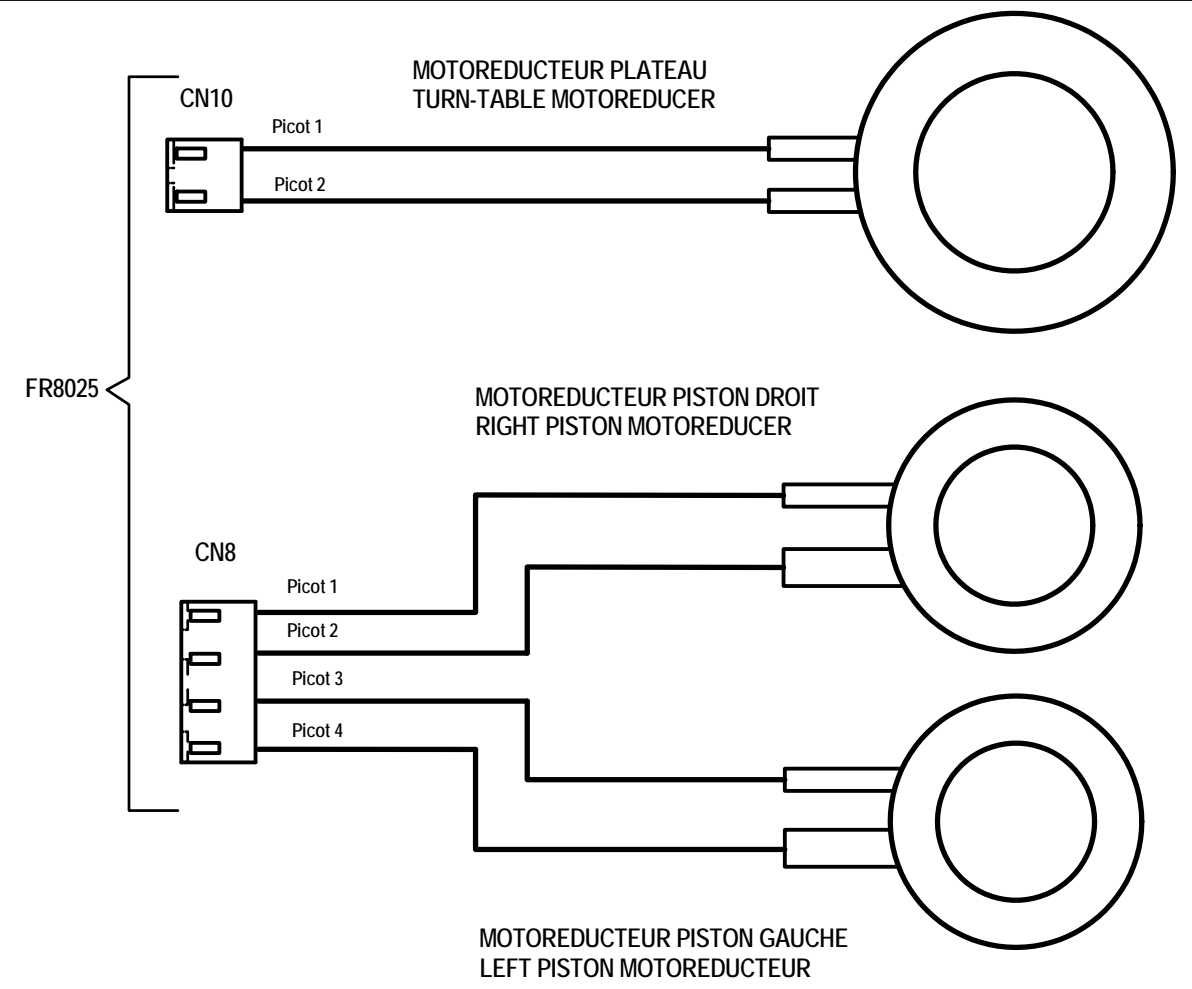
**SCHEMAS ELECTRIQUES DE PRINCIPE /
SKELETON ELECTRIC DIAGRAMS**

BOITIER INVERSEUR
 DE SONDÉS ref: 45042
 PROBE REVERSE BOX
 ref: 45042

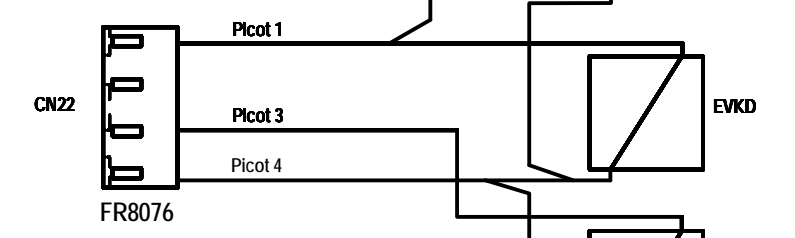
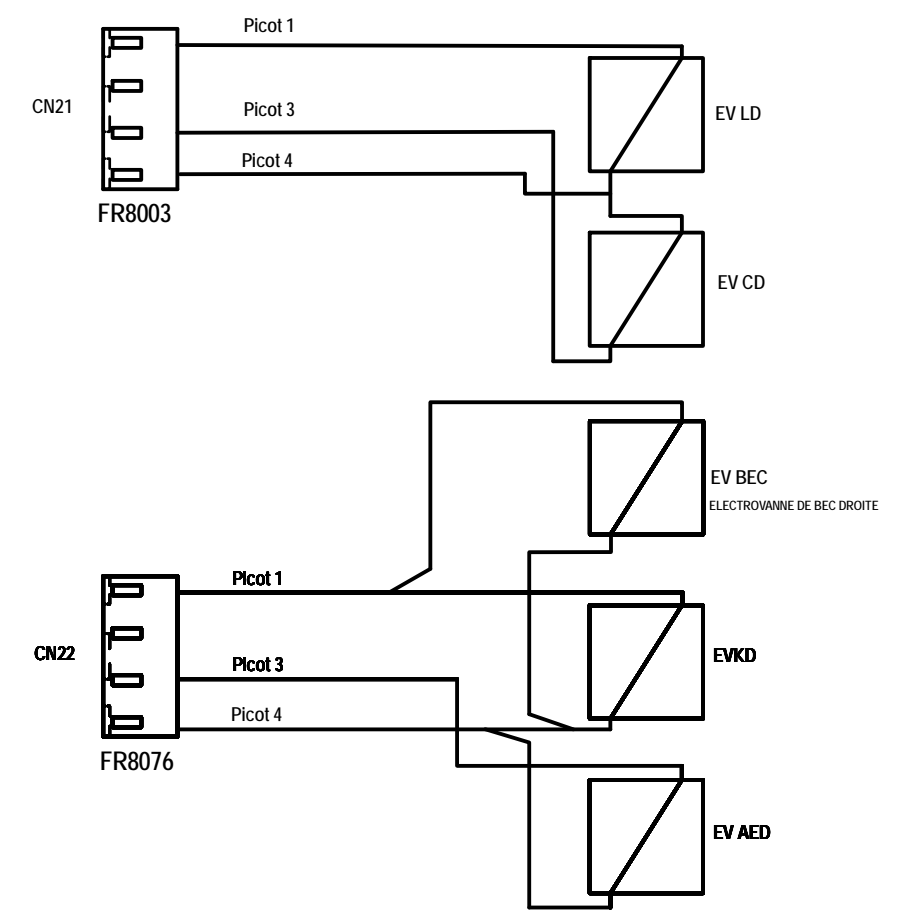
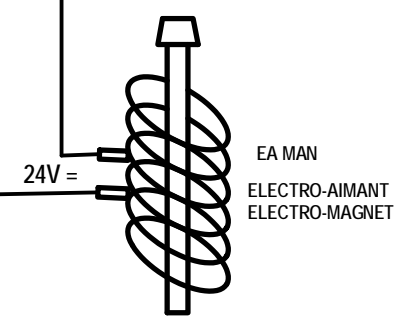


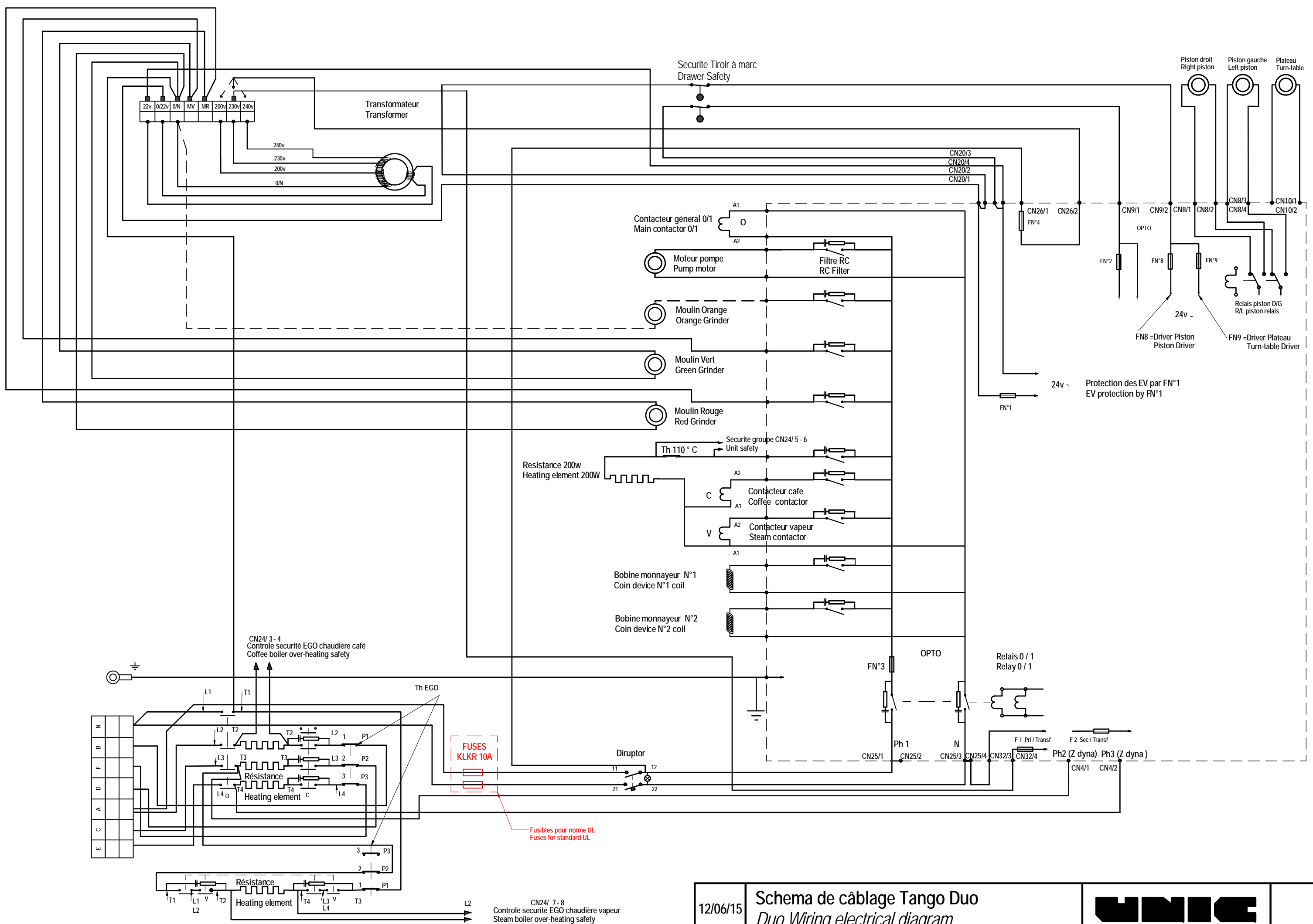


**EV NETTOYAGE
 CAPPUCCINI
 CAPPUCCINI
 CLEANING EV**
 EV CAPPUCCINO
 GAUCHE
 LEFT CAPPUCCINO EV
 EV LAIT
 GAUCHE
 LEFT MILK EV
 EV AJOUT D'EAU
 GAUCHE
 LEFT WATER
 ADDING EV



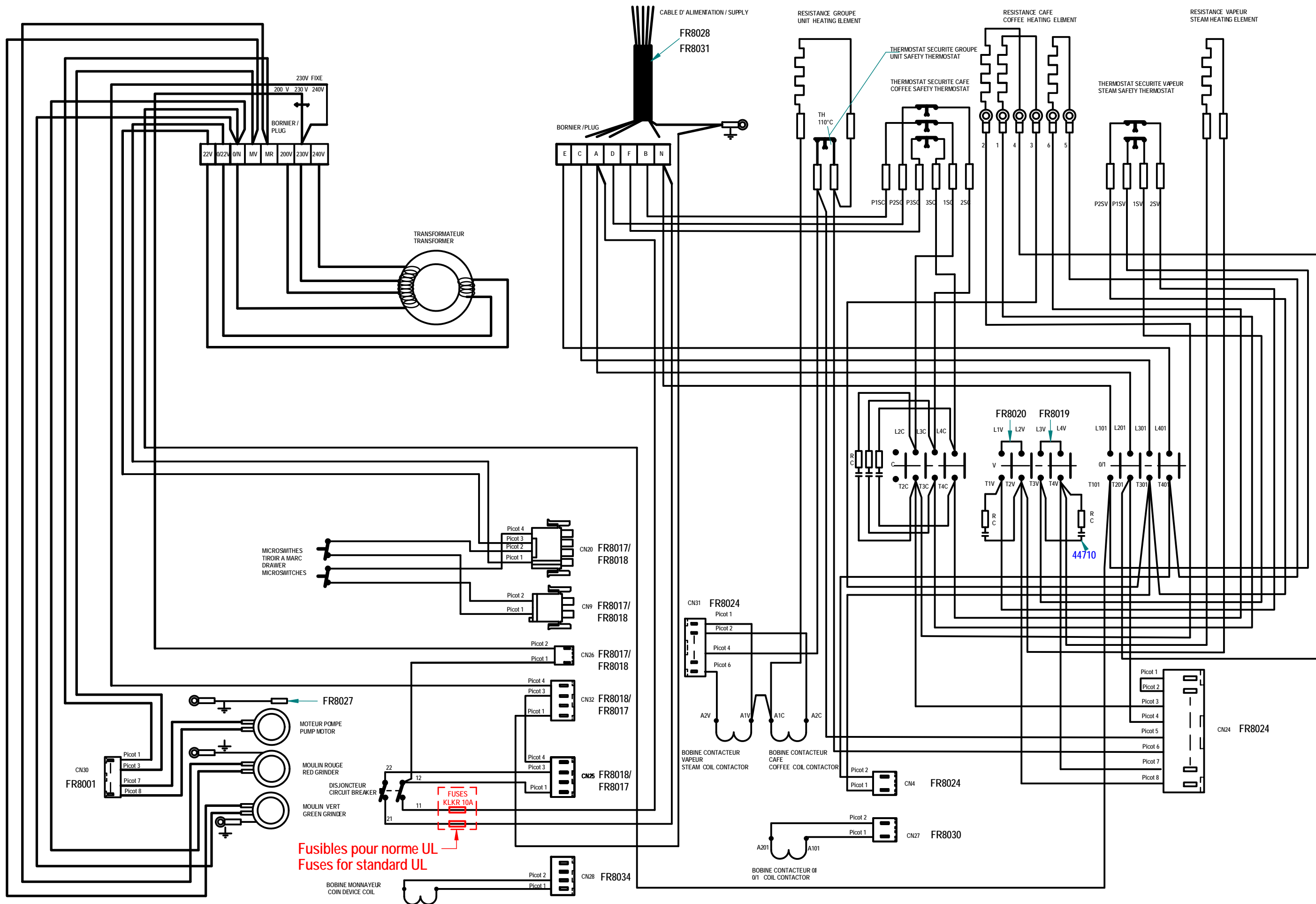
EV BEC
 ELECTROVANNE
 DE BEC GAUCHE
 LEFT SPOUT
 ELECTROVALVE
 EV KG
 ELECTROVANNE CAFE
 GAUCHE
 LEFT COFFEE
 ELECTROVALVE
 EV RE
 EV REMPLISSAGE
 CHAUDIERE
 BOILER FILLING EV
 EV NK
 EV NETTOYAGE CAFE
 COFFEE CLEANING EV
 EV DC
 EV VIDANGE
 DECOMPRESSION
 DRAIN EV
 EV SE
 EV EAU CHAUDE
 HOT WATER EV
 EV SV
 EV VAPEUR
 STEAM EV





12/06/15 **Schema de câblage Tango Duo**
Duo Wiring electrical diagram





Fusibles pour norme UL
Fuses for standard UL