

TANGO[®] ST duo

SPARE
PARTS



Merci d'avoir choisi UNIC, premier fabricant français de machines espresso professionnelles depuis 1919.

Thank you for choosing UNIC, the first French manufacturer of professional espresso machines since 1919.

Le fabricant se réserve le droit de modifier sans préavis les caractéristiques de l'appareil, dans un souci d'amélioration de ses performances.
Lire attentivement les consignes de sécurité avant toute utilisation.

*The manufacturer reserves the right to modify the appliances presented in this publication without notice.
Read carefully the safety instructions before use.*

Parts Town 8-21

TG9027 12/2018

PIÈCES
DÉTACHÉES

UNIC

PIECES DETACHEES

SPARE PARTS

1XX	HABILLAGE	MACHINE CASING
101	TANGO ST DUO	TANGO ST DUO
110	COTES MACHINE	SET SIDES & LIGHT DIFFUSER
111	ENSEMBLE CHARIOT - BASSINE - PIED	SET TROLLEY, OVERFLOW TRAY & FEET
112	ENSEMBLE DEVANT, TIROIR A MARC	SET WASTE DRAWER, FRONT CASING
113	ENSEMBLE BEC & PORTILLON	SET SPOUT & DOORS
114	CHAUFFE TASSES ST	CUP WARMER ASSEMBLED
120	CALANDRE TANGO ST	FRONT PANEL TANGO ST
130	ENSEMBLE TREMIES	HOPPER UNIT
133	DESSUS TREMIES DUO ST	TOP HOPPER UNIT DUO ST
135	BOITE DK	DK BOX
2XX	SORTIES EXTERIEURES	EXTERNAL OUPUT
201	ENSEMBLE TUBE & EV SORTIE VAPEUR	SET TUBE & EV STEAM OUTLET
221	SORTIE VAPEUR PTFE	PTFE STEAM OUTLET
232	SORTIE VAPEUR REGLABLE	ADJUSTABLE STEAM OUTLET
241	SORTIE STEAMAIR V+	STEAMAIR V+ OUTLET
251	ENSEMBLE TUBE & EV SORTIE EAU CHAUDE	SET PIPE & EV HOT WATER OUTLET
260	SORTIE EAU CHAUDE	HOT WATER OUTLET
270	SORTIE EAU CHAUDE REGLABLE	ADJUSTABLE HOT WATER OUTLET
3XX	HYDRAULIQUE	HYDRAULIC SYSTEM
302	CIRCUIT HYDRAULIQUE DUO	HYDRAULIC CIRCUIT DUO
310	SECURITE MANQUE D'EAU	NO WATER SAFETY
320	POMPES 100L-200L	100L-200L PUMPS
335	BLOC DOSEUR 2GR	2 UNITS DOSING DEVICE
350	CHAUDIERE VAPEUR STANDARD	STANDARD STEAM BOILER
351	CHAUDIERE CAFE	COFFEE BOILER
355	CHAUDIERE INTERNE 2GR	2 UNITS INTERNAL BOILER
360	SYSTÈME DE NETTOYAGE	CLEANING SYSTEM
361	BLOC NETTOYAGE & VIDANGE	CLEANING DEVICE & DRAIN
362	ELECTROVANNES DE NETTOYAGE	CLEANING ELECTROVALVES
370	GOULOTTE D'EVACUATION	DRAIN CHUTE
4XX	CIRCUIT CAFE	COFFEE SYSTEM
400	MOULIN	GRINDER
410	ENTONNOIR	FUNNEL
415	ENSEMBLE NETTOYEUR	CLEANING DEVICE
420	GROUPE CAFE SANS PISTON (1P)	COFFEE UNIT WITHOUT PISTON (1P)
421	GROUPE CAFE SANS PISTON (2P)	COFFEE UNIT WITHOUT PISTON (2P)
425	PISTON COMPLET	PISTON DEVICE
430	MOTEUR PLATEAU + SECURITE MIROIR	TURNTABLE MOTOR + DRAWER SAFETY
435	EV BEC	SPOUT EV
5XX	ELECTRONIQUE	ELECTRONIC SYSTEM
500	PLATINE CARTES ELECTRONIQUES	PANEL ELECTRONIC CARDS
501	CONNECTEURS CARTE MERE	MOTHERBOARD CONNECTORS
502	FUSIBLES CARTE MERE	FUSES CONNECTORS
511	COMPOSANTS ELECTRIQUES DUO ST	ELECTRICAL COMPONENTS DUO ST
550	LISTE DES CABLES	ELECTRICAL WIRES LISTING
6XX	OPTION/KIT	OPTION/KIT
600	OPTION POMPE LAIT "VUE D'ENSEMBLE"	"OVERVIEW" MILK PUMP KIT
601	OPTION POMPE LAIT "BEC & BLOC LAIT"	"SPOUT & MILK BLOCK" MILK PUMP KIT
602	OPTION POMPE LAIT "EV"	"EV" MILK PUMP KIT
604	OPTION POMPE LAIT "CHAUDIERE DUO"	"BOILER DUO" MILK PUMP KIT
605	OPTION POMPE LAIT "BLOC POMPE LAIT"	"MILK PUMP BLOCK" MILK PUMP KIT
607	MODULE FRIGO CARROSSERIE	BODY OF FRIGDE MODULE
611	OPTION BLOC CAPPUCCINO	CAPPUCCINO DEVICE
612	OPTION BLOC CAPPUCCINO "EV NETTOYAGES"	"CLEANING EV" CAPPUCCINO DEVICE
614	OPTION BLOC CAPPUCCINO GAUCHE "CHAUDIERE DUO"	"BOILER DUO" LEFT CAPPUCCINO DEVICE
615	OPTION BLOC CAPPUCCINO DROIT "CHAUDIERE DUO"	"BOILER DUO" RIGHT CAPPUCCINO DEVICE
616	OPTION 2 BLOCS CAPPUCCINOS "CHAUDIERE DUO"	"BOILER DUO" TWO CAPPUCCINO DEVICE
620	MITIGEUR EAU CHAUDE	MIXED HOT WATER
630	BEC DEPORTE POUR POT	SPOUT DEPORTED FOR JAR
640	OPTION POMPE LAIT "VUE D'ENSEMBLE"	OVERVIEW MILK PUMP KIT
641	OPTION POMPE LAIT "BEC & BLOC LAIT"	SPOUT & MILK BLOCK MILK PUMP KIT
642	OPTION POMPE LAIT "BLOC POMPE LAIT"	MILK PUMP BLOCK MILK PUMP KIT
643	CARROSSERIE MODULE FRIGO FG16	ABODY OF FG16 FRIDGE MODULE
650	CHAUFFE TASSES SANS BOITE DK	CUP WARMER WITHOUT DK BOX
690	PIÈCES D'INSTALLATION ET ENTRETIEN	INSTALLATION & MAINTENANCE PARTS

PLANCHE - PLATE 101

REF	DESIGNATIONS FR	DESIGNATIONS GB
46290	AUTOCOLLANT UNIC	STICKER UNIC
43211	DISJONCTEUR	CIRCUIT BREAKER
TG3013	CHEMISE AR DUO	REAR CASING DUO
TG4003	BANDEAU BASSINE	STRIP

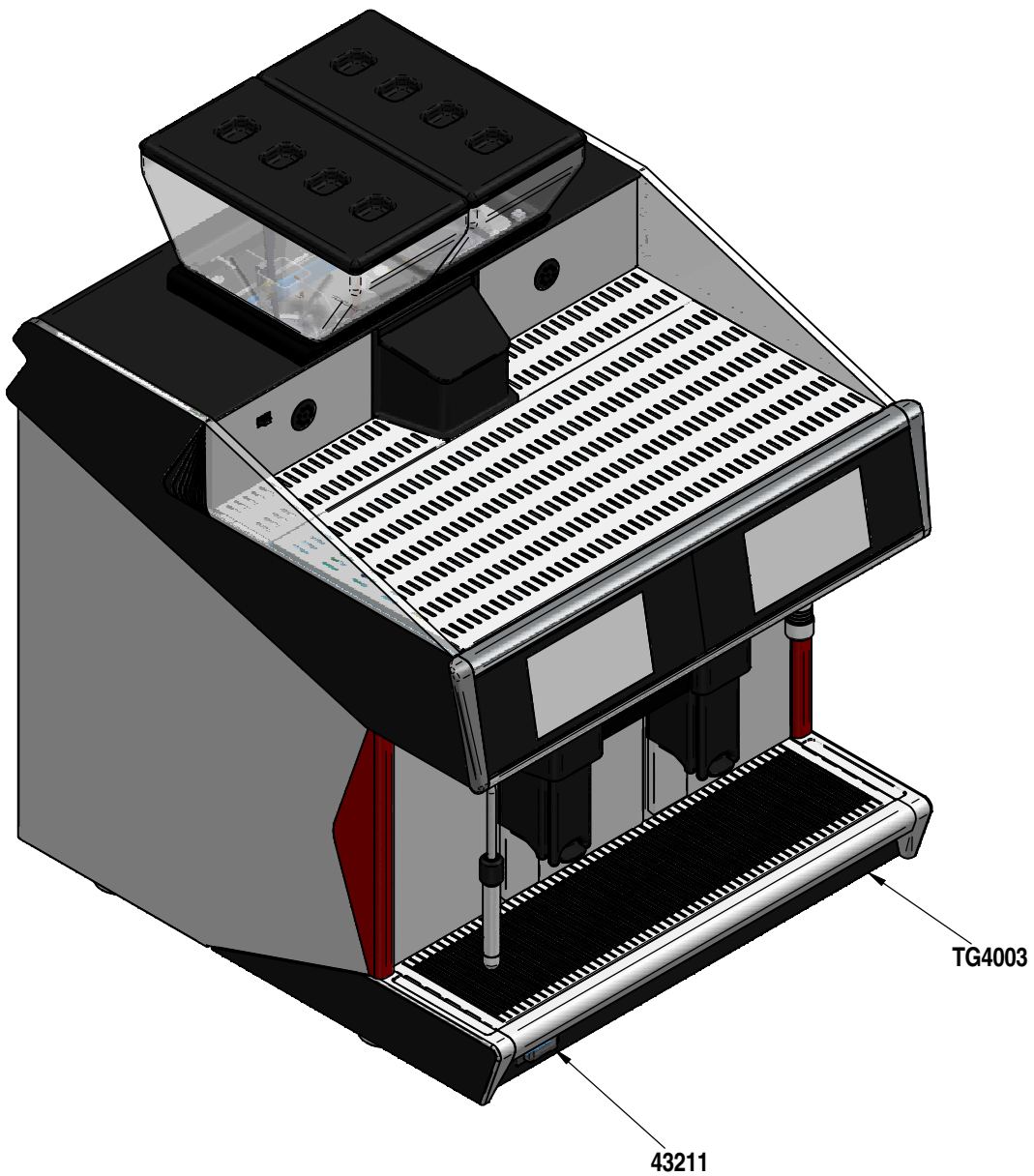
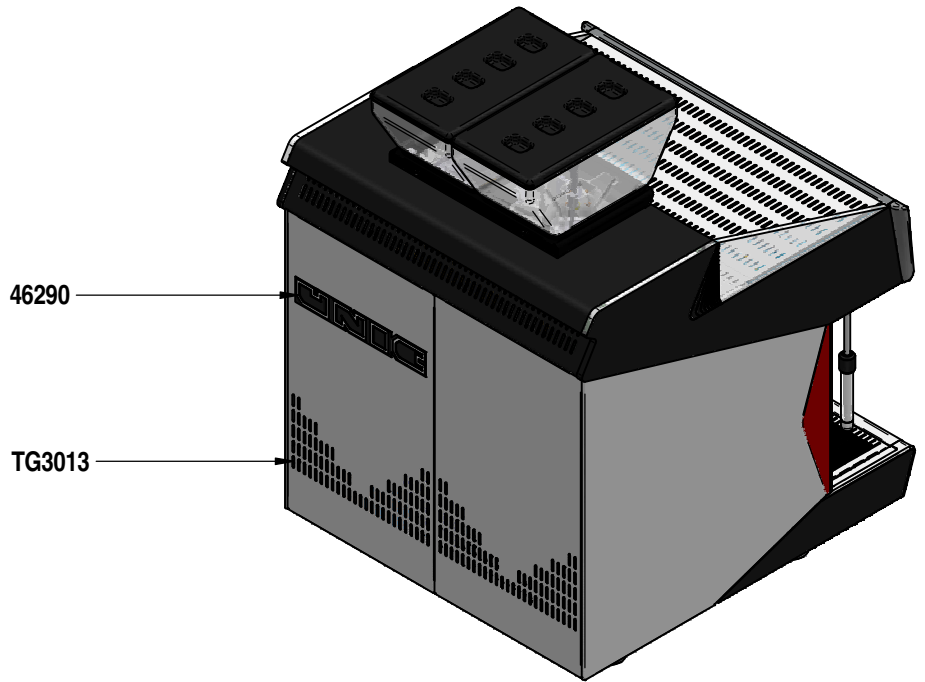


PLANCHE - PLATE 110

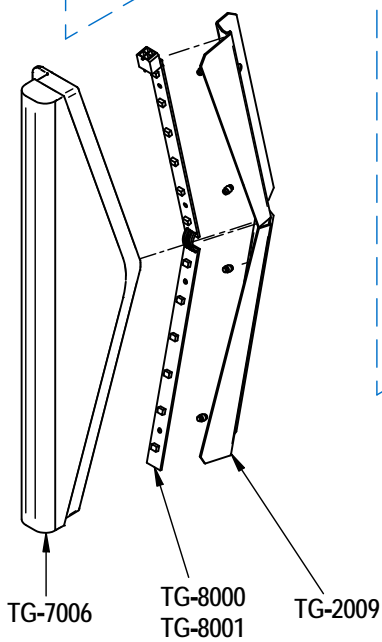
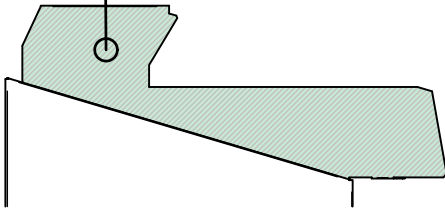
REF	DESIGNATIONS FR	DESIGNATIONS GB
50106	VIS TCHc M4 x 6	SCREW M4 X 6
CN-325	VIS INOX TC 4 x 6	SCREW M4 X 6
CN-343	RONDELLE EVENTAIL 4	WASHER 4
PE-59	VIS TCHC M4x10 INOX	SCREW 4 X 10
PG-14	ECROU M4	NUT M4
TG-1000	COTE GAUCHE TANGO MONTE	COMPLET LEFT SIDE TANGO
TG-1001	COTE DROIT TANGO MONTE	COMPLET RIGHT SIDE TANGO
TG-2009	SUPPORT LED	LED HOLDER
TG-3000	COTE CHAUFFE TASSES G	LEFT SIDE CUP WARMER
TG-3001	COTE CHAUFFE TASSES D	RIGHT SIDE CUP WARMER
TG-3020	COTE GAUCHE	LEFT SIDE
TG-3021	COTE DROIT	RIGHT SIDE
TG-4008	TETON M4X5	NUT M4X5
TG-7006	DIFFUSEUR COTE	LIGHT DIFFUSER
TG-8000	LED RGB DROITE	LED RGB RIGHT
TG-8001	LED RGB GAUCHE	LED RGB LEFT

PENSER A DEGRAISSER CETTE SURFACE DE LA PIECE TG3020/TG3021 AVEC DE L'ALCOOL A BRULER OU EQUIVALENT, AVANT LE COLLAGE DE LA PIECE PLEXI
 THINK DEGREASING AREA OF THE PART TG3020/TG3021 WITH ALCOHOL OR EQUIVALENT BEFORE STICKING THE PLEXIGLASS PART.

TG-1000
 TG-1001

TG-3000
 TG-3001

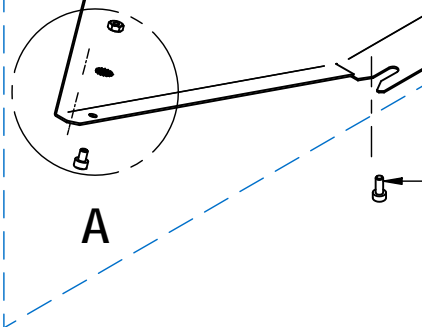
TG-3020
 TG-3021



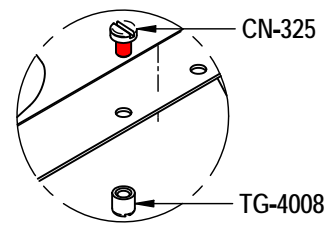
TG-7006

TG-8000
 TG-8001

TG-2009



A



CN-325

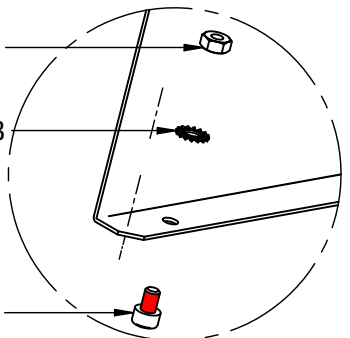
TG-4008

PE-59

PG-14

CN-343

50106



DETAIL B

DETAIL A


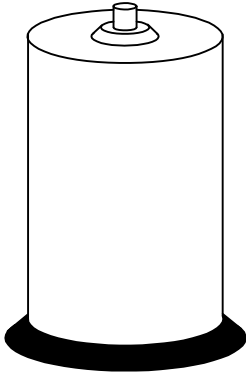
 Loctite 262

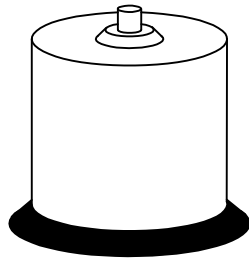
PLANCHE - PLATE 111

REF	DESIGNATIONS FR	DESIGNATIONS GB
45939	ADHESIF PIED MACHINE	STICKER FOOT
50204	VIS TH M5 x 10 INOX	SCREW M5 X 10
50402	VIS TCHC TETE Low M8X16 INOX	S.STEEL SCREW M8 X 16
51100	ECROU M5 INOX	NUT M5
51150	ECROU NYLSTOP M6	NUT NYLSTOP M6
DV-4030	PIED ALU H30	FOOT H30
NM-002	PIED CAOUTCHOUC NOIR	FOOT
NM-1068	KIT PIED ALU H30	HIGH FEET KIT
NM-1069	KIT PIED ALU H44,5	HIGH FEET KIT
NM-1076	KIT PIED ALU H74,5	HIGH FEET KIT
NM-176	PIED ALU POUR MACHINE NSF	FOOT FOR NSF MACHINE
NM-236	PIED ALU D50 H44.5	FOOT H44.5
NZ-7024	PATIN PIED ARRIERE	REAR RUBBER FOOT
RB-4002	RONDELLE EPAULEE	WASHER
TG-1005	KIT CHARIOT BASSINE DUO	TROLLEY OVERFLOW TRAY KIT FOR DUO
TG1-006	KIT CHARIOT BASSINE SOLO	TROLLEY OVERFLOW TRAY KIT FOR SOLO
TG-2000	BASSINE TANGO DUO	DUO OVERFLOW TRAY
TG-2001	GRILLE DE BASSINE DUO	DUO OVERFLOW TRAY GRID
TG-2002	DEVANT DE BASSINE DUO	FRONT OVERFLOW TRAY
TG-2004	RONDELLE TOLE	SHEET METAL WASHER
TG-2011	BASSINE SOLO	SOLO OVERFLOW TRAY
TG-2012	DEVANT DE BASSINE SOLO	SOLO FRONT OVERFLOW TRAY
TG-2014	GRILLE DE BASSINE SOLO	SOLO OVERFLOW TRAY GRID
TG-4000	ENJOLIVEUR JOUE DE BASSINE G	LEFT ORNAMENTAL OVERFLOW TRAY
TG-4002	ENJOLIVEUR JOUE DE BASSINE D	RIGHT ORNAMENTAL OVERFLOW TRAY
TG-4005	AXE JOUE DE BASSINE	AXLE
TG-4006	BAGUE EPAULEE	PLASTIC RING
TG-7000	JOUE DE BASSINE GAUCHE	LEFT ORNAMENTAL HOLDER
TG-7002	JOUE DE BASSINE DROITE	RIGHT ORNAMENTAL HOLDER

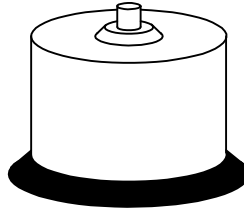
KIT PIED ALU H74.5
REF: NM-1076



KIT PIED ALU H44.5
REF: NM-1069



KIT PIED ALU H30
REF: NM-1068



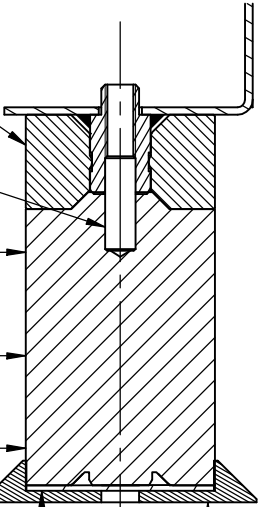
NM-002

50402

DV-4030
L:30 mm

NM-236
L:44,5 mm

NM176
L:74,5 mm

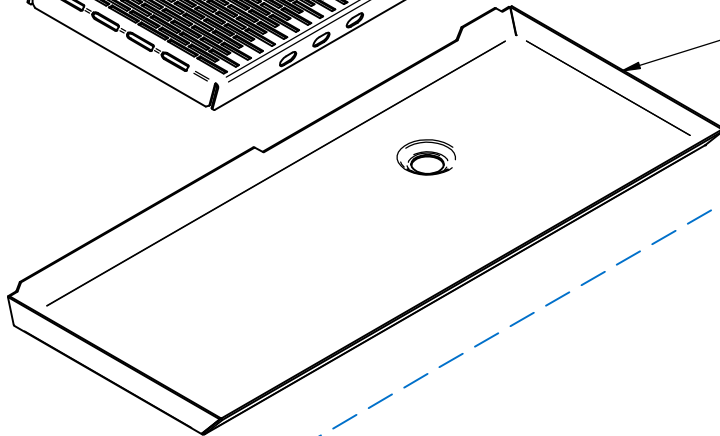
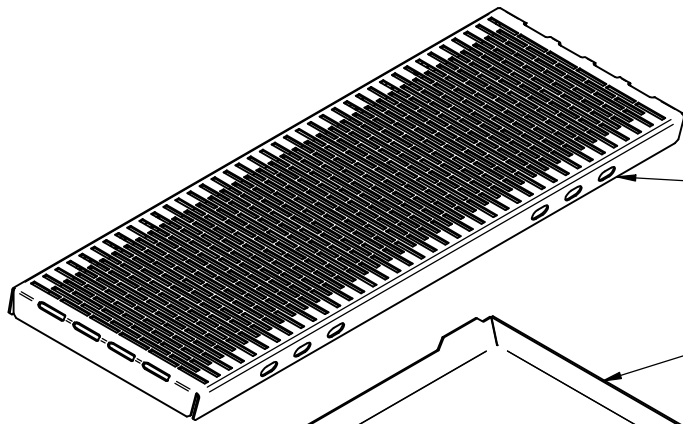


45939

NZ7024

TG-2014
TG-2001

TG-2011
TG-2000



TG-7002

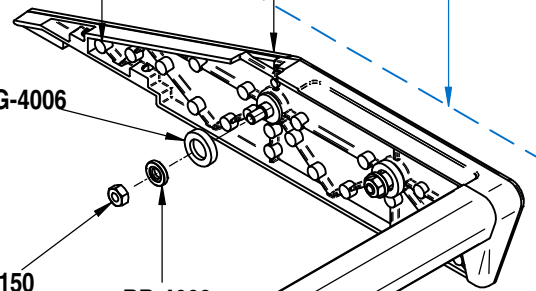
TG-4002

TG-1005
TG-1006

TG-4006

51150

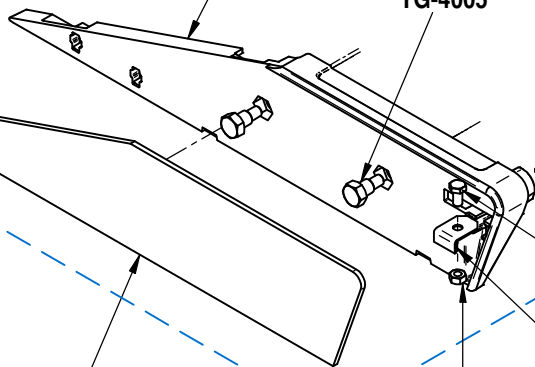
RB-4002



TG-7000

TG-4005

TG-2012
TG-2002



TG-4000

51100

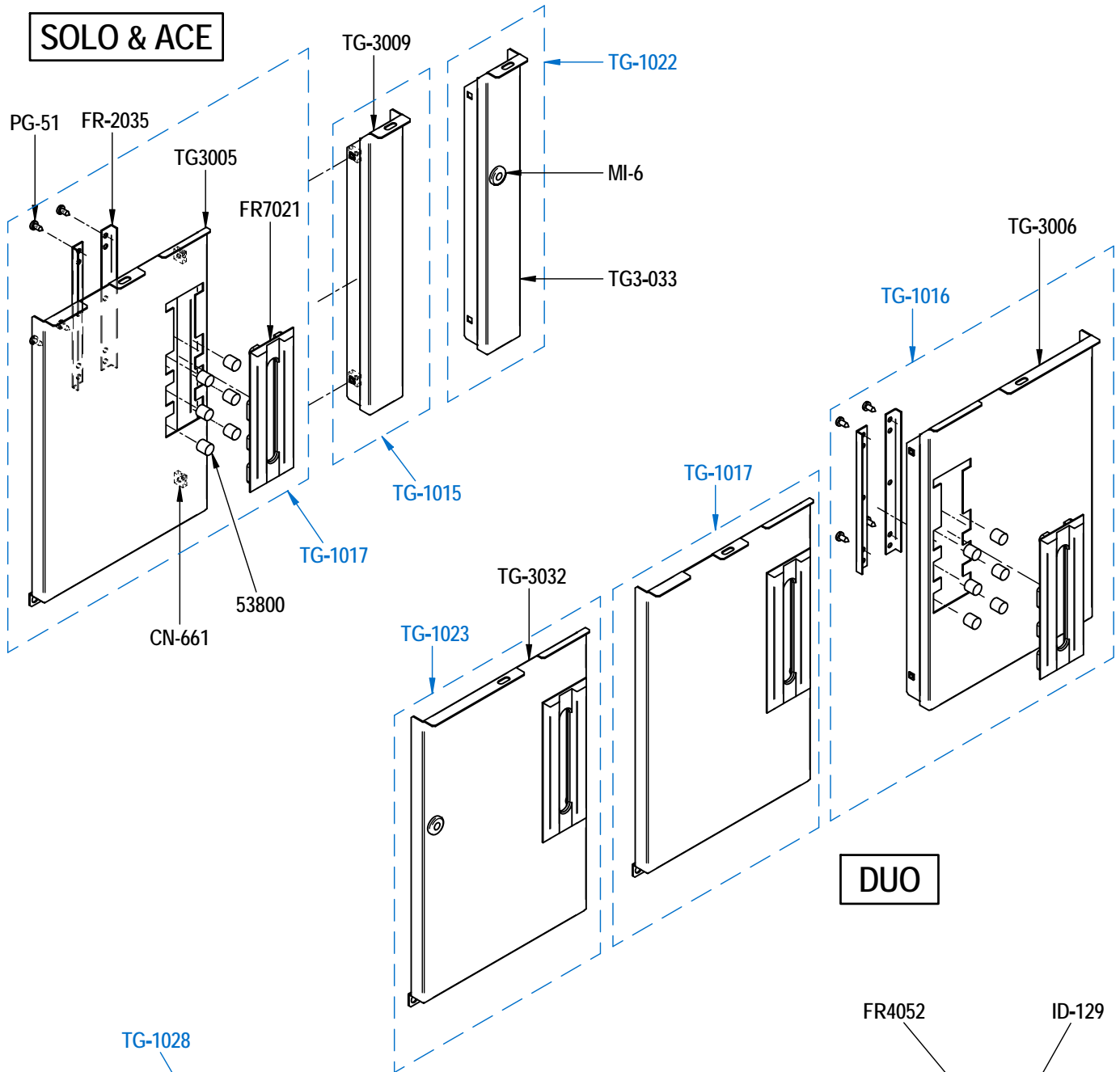
TG-2004

50204

PLANCHE - PLATE 112

REF	DESIGNATIONS FR	DESIGNATIONS GB
53800	AIMANT DIAM. 10 X 10	MAGNET 10 X 10
53820	AIMANT BAC A MARC	MAGNET
CN-305	RONDELLE EN LAITON M3	BRASS RING M3
CN-306	VIS INOX TCHC 3 x 8	SCREW M3 X 8
CN-661	ECROU CAGE M4, EP 1/1.6	INSERT NUT M4
FR-2035	BRIDE BEC CAFE	COFFEE SPOUT HOLDER
FR-3111	TOLE PORTE CENTRALE	CENTER DOOR
FR-3119	BAC A MARC ENSEMBLE TOLES	WASTE DRAWER
FR-4052	BUTEE DE BAC A MARC	THRUST
FR-4075	TETON	PIN
FR-7021	PLAQUE AVANT	FRONT PART
ID-129	VIS INOX POELIER VM 4 X 8	SCREW 4 X 8
MI-6	PASSE FIL	GROMMET
PG-51	VIS TOLE TC Ac Zn 3,9 X 9,5	SHEET SCREW 3,9 x 9,5
TG-1015	ENSEMBLE DEVANT DROIT SOLO	SOLO RIGHT FRONT
TG-1016	ENSEMBLE DEVANT DROIT DUO	DUO RIGHT FRONT
TG-1017	ENSEMBLE DEVANT GAUCHE	STANDARD LEFT FRONT
TG-1022	DEVANT DROIT SOLO STEAMAIR	SOLO RIGHT STEAMAIR FRONT
TG-1023	DEVANT GAUCHE STEAMAIR	LEFT STEAMAIR FRONT
TG-1028	BAC A MARC COMPLET	WASTE DRAWER
TG-3005	DEVANT GAUCHE	LEFT FRONT PANEL
TG-3006	DEVANT DROIT	RIGHT FRONT PANEL
TG-3009	DEVANT DROIT SOLO	RIGHT FRONT PANEL SOLO
TG-3032	DEVANT GAUCHE STEAMAIR	STEAMAIR LEFT FRONT PANEL
TG-3033	DEVANT DROIT SOLO STEAMAIR	STEAMAIR SOLO RIGHT FRONT PANEL

SOLO & ACE



DUO

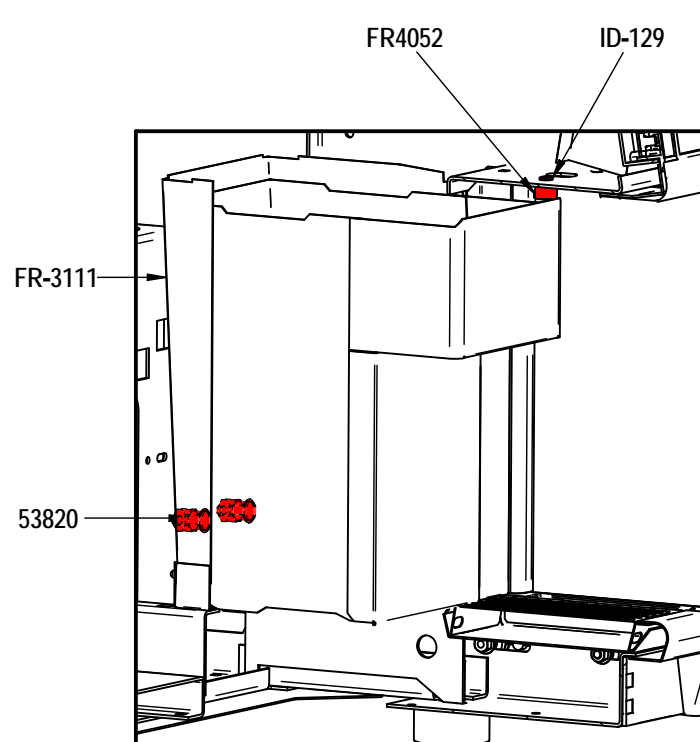
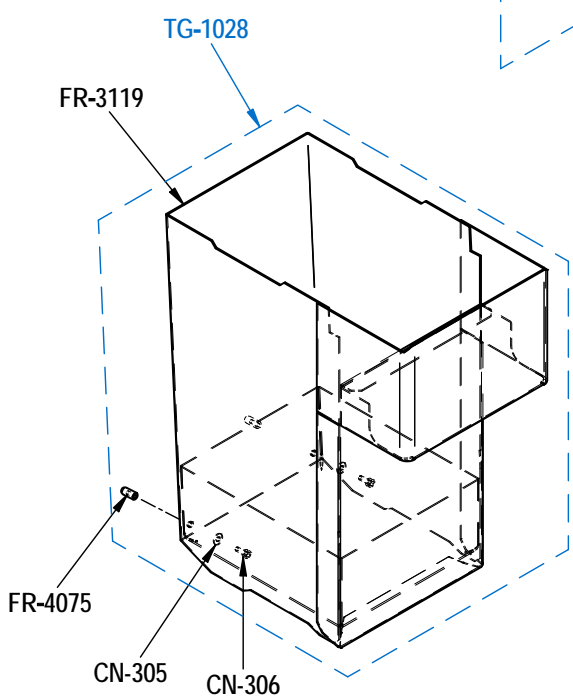


PLANCHE - PLATE 113

REF	DESIGNATIONS FR	DESIGNATIONS GB
28104	JOINT TORIQUE 2X9,5 FKM 80SH	GASKET 2X9,5
CF-199	RONDELLE ACIER ZN 8x22x1,5	STEEL WASHER 8x22x1,5
D-60	VIS POELIER M6x10 INOX	SCREW 6X10
FR-1015	BEC A CAFE SORTIE CAFE	COFFEE SPOUT
FR-2036	TOLE PLAQUE GUIDE	PLATE SHEET
FR-4050	AXE DE PORTILLON	AXLE
FR-4051	BUTEE PORTILLON	SCREW DOOR
FR-7020	BEC CAFE	COFFEE SPOUT
FR-7022	LANGUETTE BEC	SPOUT HANDING
FR-7023	ANTI VAPEUR	ANTI STEAM
FR-7025	PORTILLON	DOOR
ID-129	VIS INOX POELIER VM 4 X 8	SCREW 4 X 8
M-27	JOINT TORIQUE 1.90X3.40 EPDM	GASKET 1.90 X 3.40
PE-12	ECROU M8	NUT M8
PG-14	ECROU M4	NUT M4
PG-15B	RONDELLE INOX 4.2X10X0.8	WASHER
RO-13	VIS INOX TC 4 x 10	SCREW M4 X 10 -
TG-4044	GUIDE TUBE BEC	PIPE GUIDE

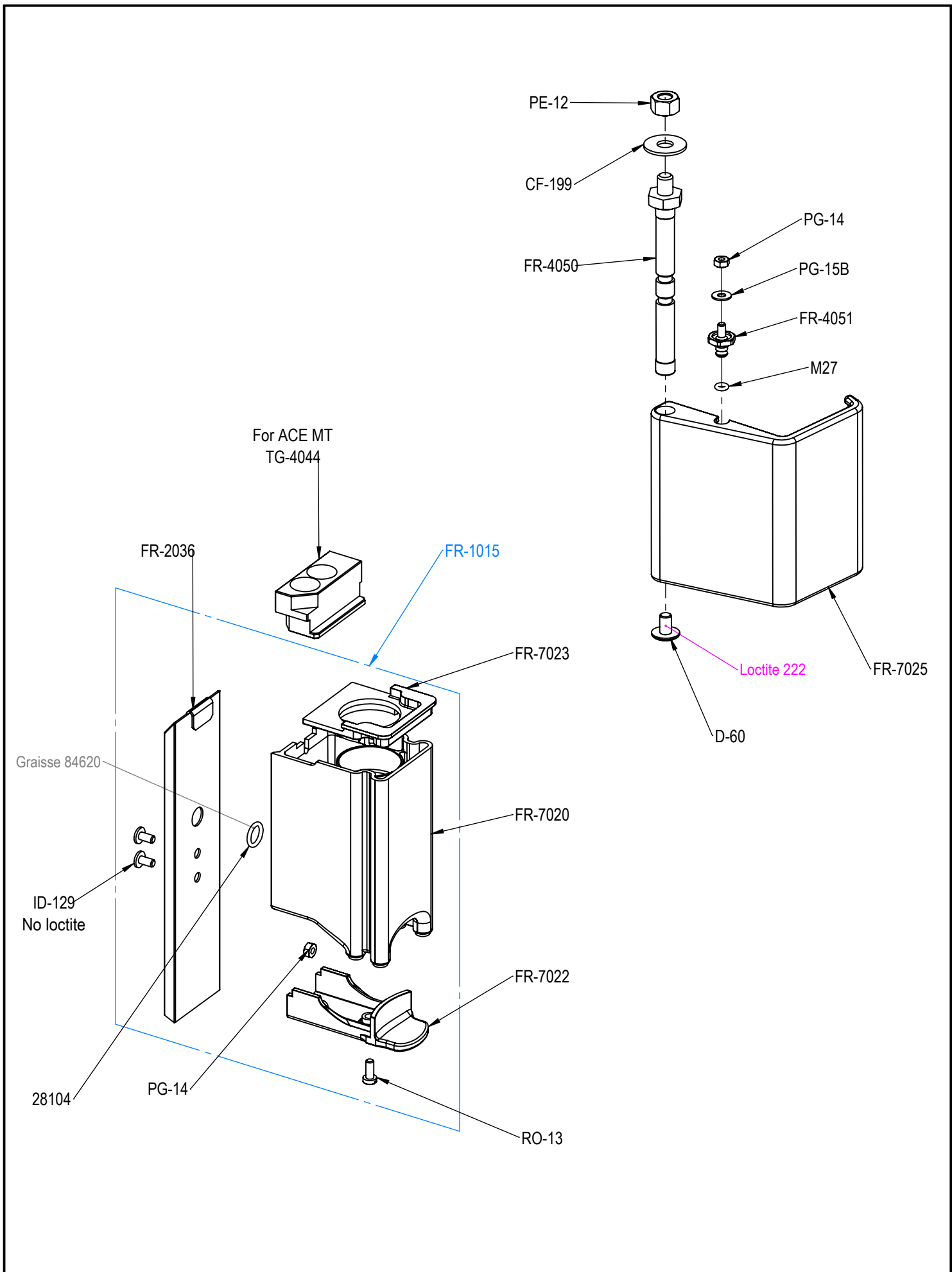
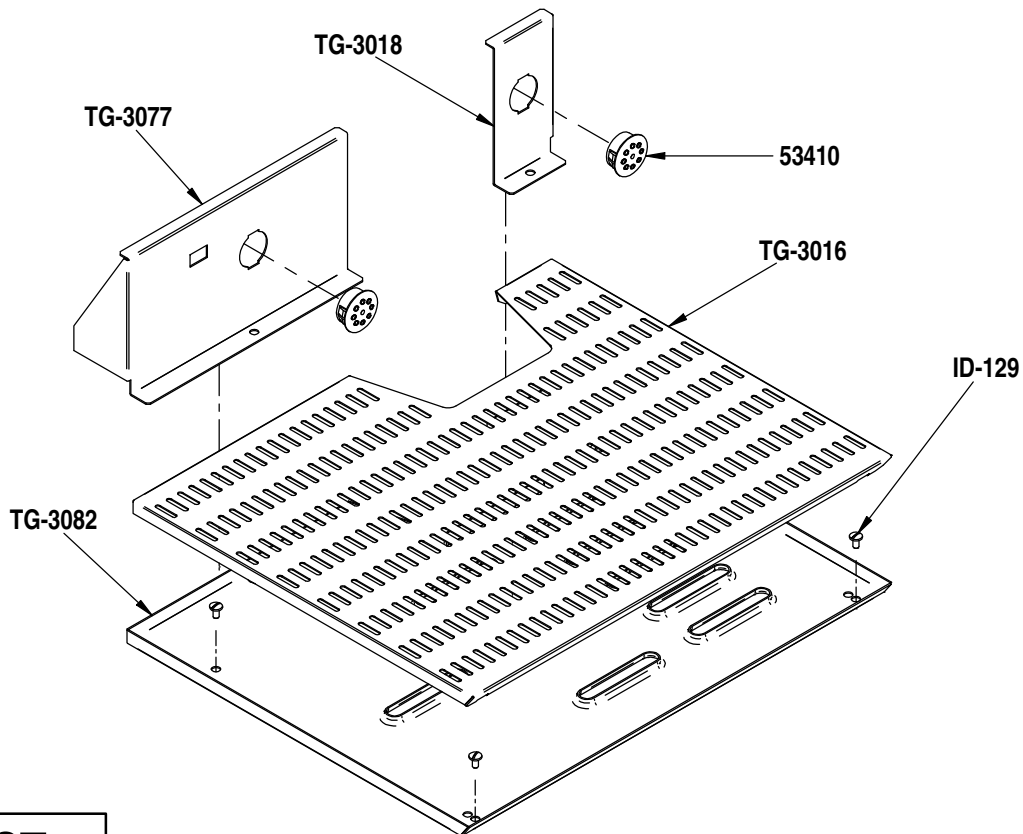


PLANCHE - PLATE 114

REF	DESIGNATIONS FR	DESIGNATIONS GB
53410	BOUCHON MOULIN DIA:25	<i>PLUG GRINDER</i>
FR-3270	TRAVERSE CHAUFFE TASSES	<i>CUP WARMER CROSS PIECE</i>
ID-129	VIS INOX POELIER VM 4 X 8	<i>SCREW 4 X 8</i>
TG-3002	CHAUFFE TASSES AV DUO	<i>DUO FRONT CUP WARMER</i>
TG-3003	CHAUFFE TASSES AR DROIT	<i>RIGHT BACK CUP WARMER</i>
TG-3004	CHAUFFE TASSES AR GAUCHE	<i>LEFT BACK CUP WARMER</i>
TG-3008	PAROI LATERALE DROITE	<i>RIGHT WALL</i>
TG-3010	VERRIERE CHAUFFE TASSES AV	<i>FRONT CUP RACK</i>
TG-3011	VERRIERE AR GAUCHE	<i>LEFT BACK CUP RACK</i>
TG-3012	VERRIERE AR DROITE	<i>RIGHT BACK CUP RACK</i>
TG-3016	VERRIERE SOLO	<i>SOLO CUP RACK</i>
TG-3018	PAROI LATERALE DROITE SOLO	<i>SOLO RIGHT WALL</i>
TG-3082	CHAUFFE TASSES SOLO ST SOUDE	<i>CUP WARMER FOR SOLO ST</i>
TG-3077	PAROI LATERALE GAUCHE ST	<i>LEFT WALL ST</i>



SOLO ST

DUO ST

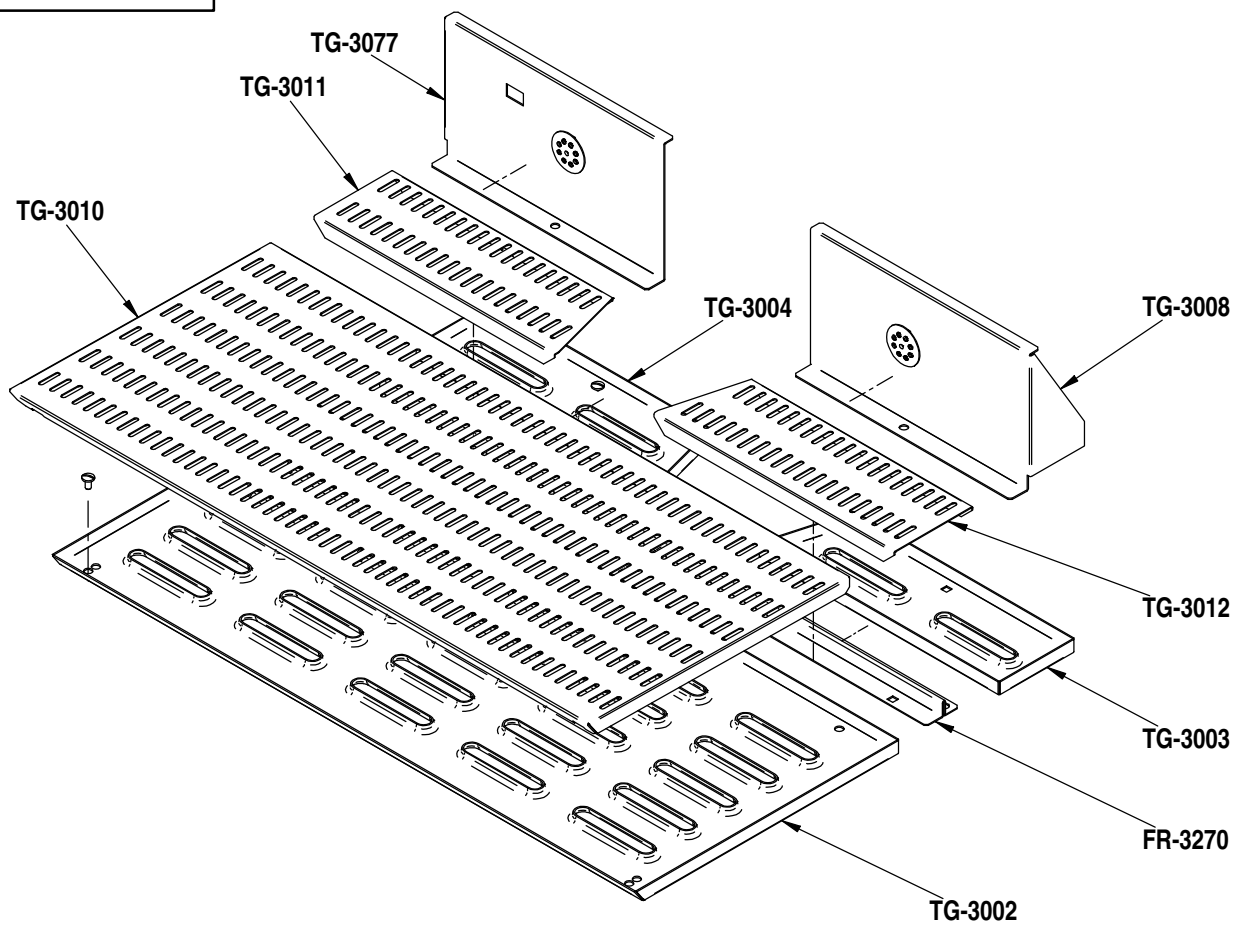
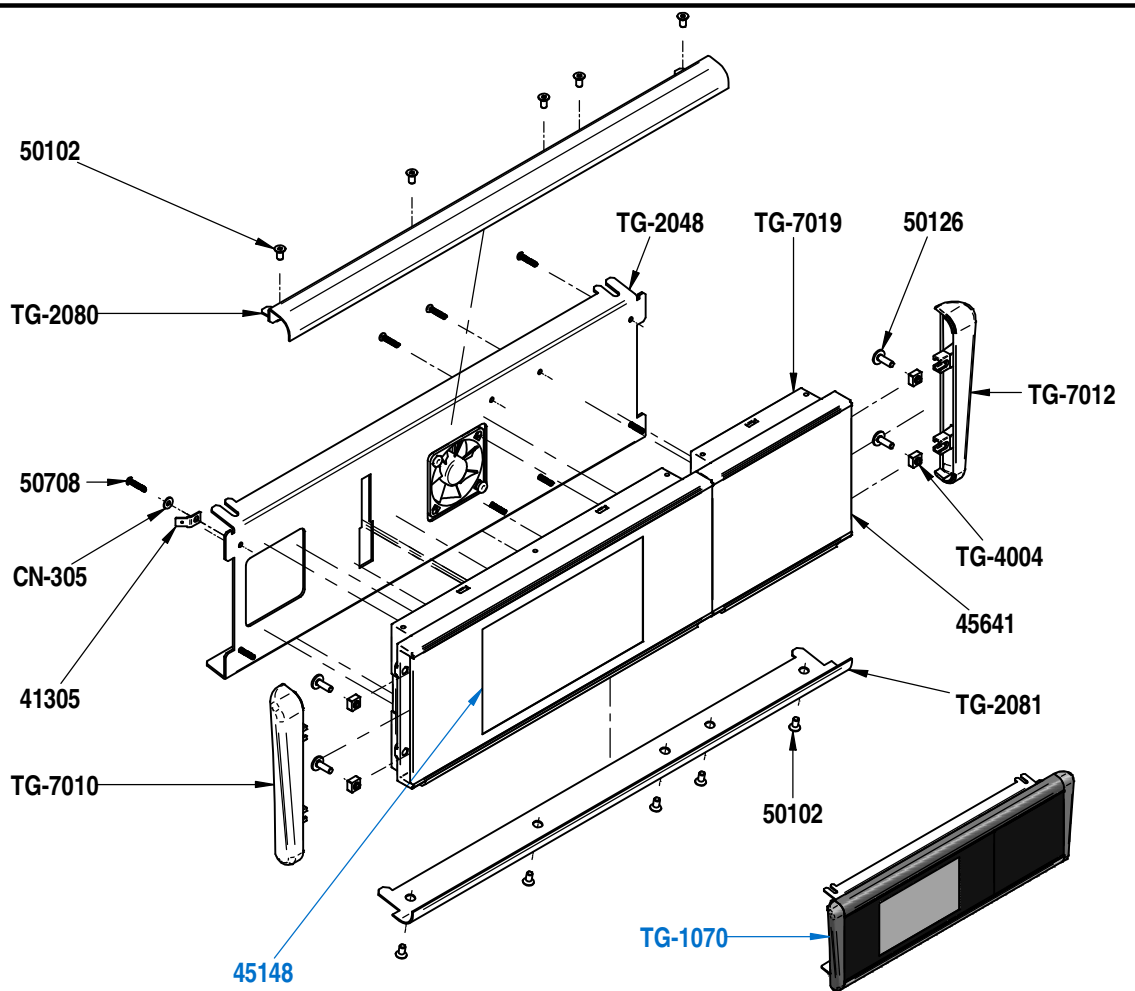


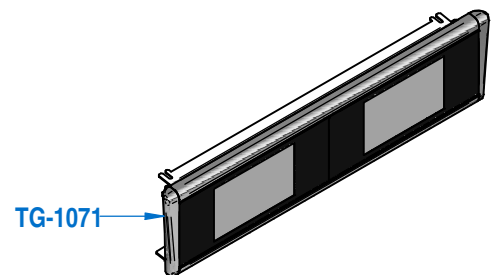
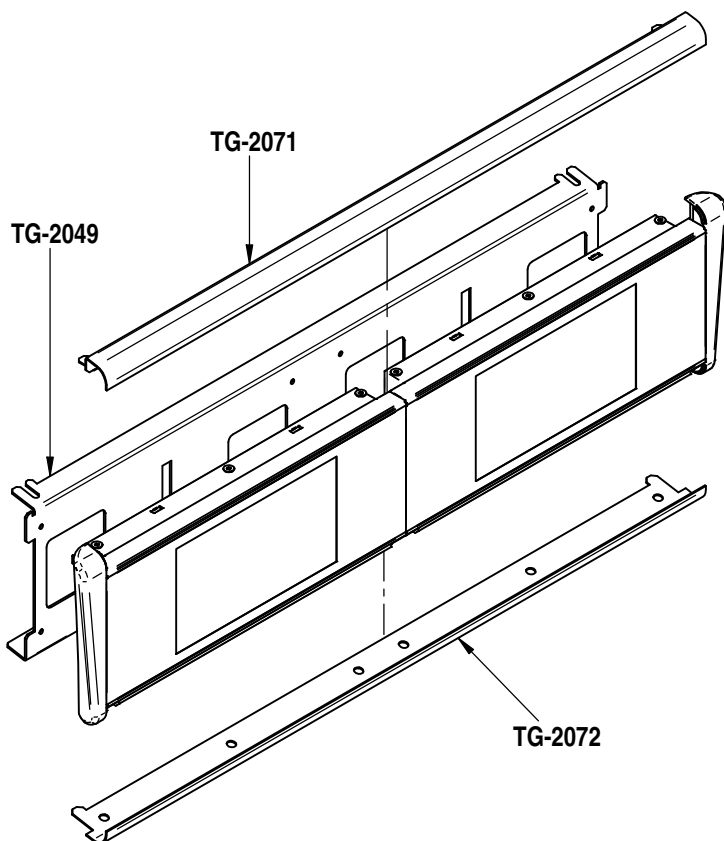
PLANCHE - PLATE 120

REF	DESIGNATIONS FR	DESIGNATIONS GB
41305	FASTON MALE A VISSER	MALE FASTON PIN
44321	VENTILATEUR CABLE AVEC CONNECTEUR	FAN WITH WIRE
45148	BOITIER BTX TANGO ST	BTX ELECTRONIC BOX TANGO ST
45641	PAVE VERRE SERIGRAPHIE DROIT SOLO	GLASS SCREEN PRINTING RIGHT SOLO
50102	VIS AUTOFORMEUSE TF M4 X 8	SCREW M4 X 8
50126	VIS TB CRUCIFORME A EMBASE M4 x 12	CRUCIFORM SCREW M4 x 12
50708	VIS AUTOFORMEUSE 3X14	SCREW 3X14
50712	VIS CRUCIFORME 4.8 x 13	SCREW 4.8 X 13
CN-305	RONDELLE EN LAITON M3	BRASS RING M3
TG-1070	KIT CALANDRE SOLO ST	FRONT PANEL SOLO ST KIT
TG-1071	KIT CALANDRE DUO ST	FRONT PANEL DUO ST KIT
TG-2048	SUPPORT CALANDRE SOLO	FRONT PANEL HOLDER SOLO
TG2049	SUPPORT CALANDRE DUO	FRONT PANEL HOLDER DUO
TG-2071	DESSUS DE CALANDRE DUO ST	TOP OF FRONT PANEL DUO ST
TG-2072	DESSOUS DE CALANDRE DUO ST	BOTTOM OF FRONT PANEL DUO ST
TG-2080	DESSUS DE CALANDRE SOLO ST	TOP OF FRONT PANEL SOLO ST
TG-2081	DESSOUS DE CALANDRE SOLO ST	BOTTOM OF FRONT PANEL SOLO ST
TG-4004	ECROU INSERT	INSERT NUT
TG-7010	OREILLE GAUCHE	LEFT ORNAMENTAL FRONT PANEL
TG-7012	OREILLE DROITE	RIGHT ORNAMENTAL FRONT PANEL
TG-7019	BOITIER ECRAN TANGO ST - PM	SCREEN BOX TANGO ST



SOLO ST

DUO ST



Place the fan (44321) against the cover and tighten the screw (50712)

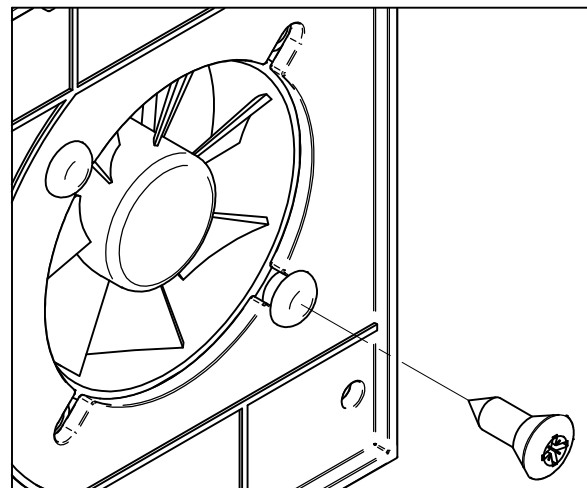
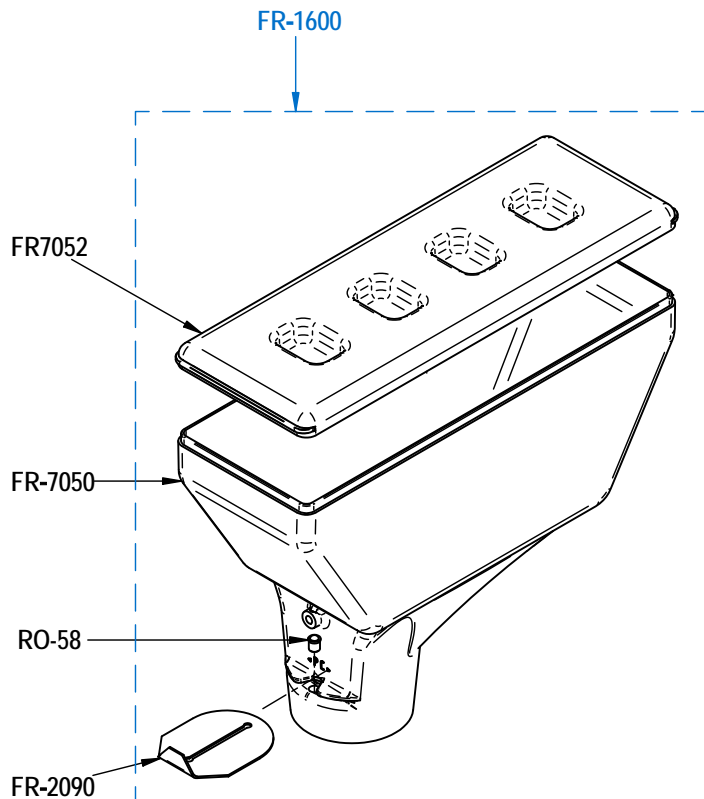
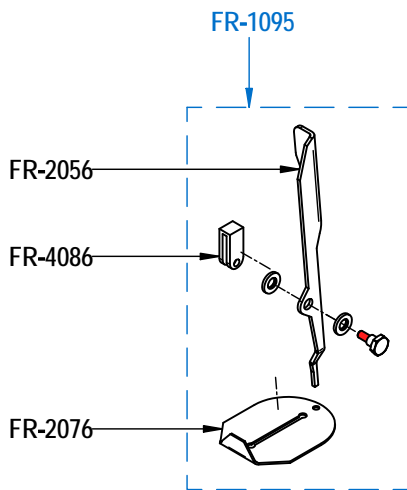
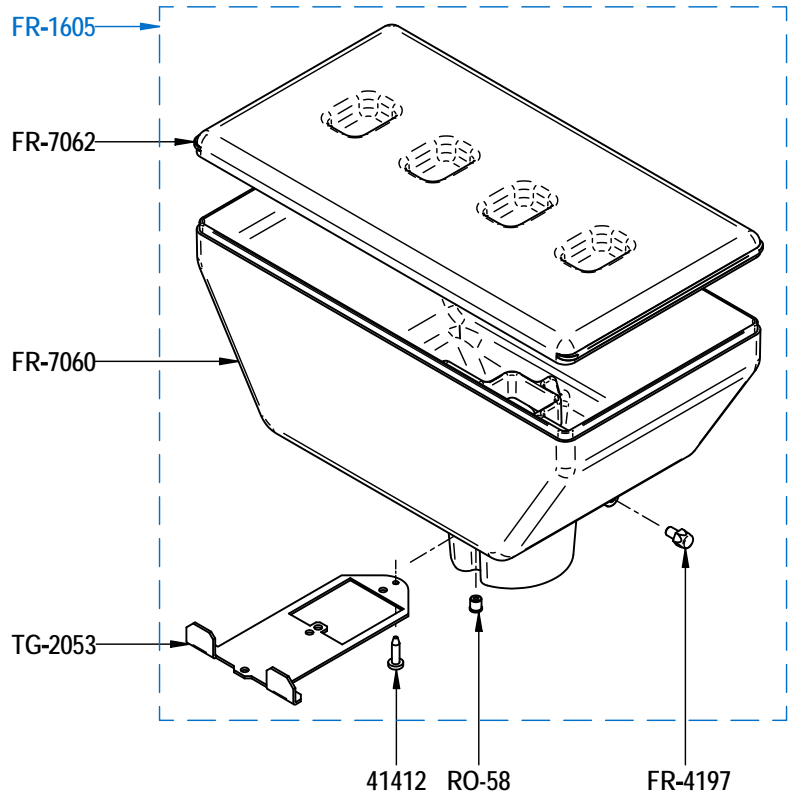
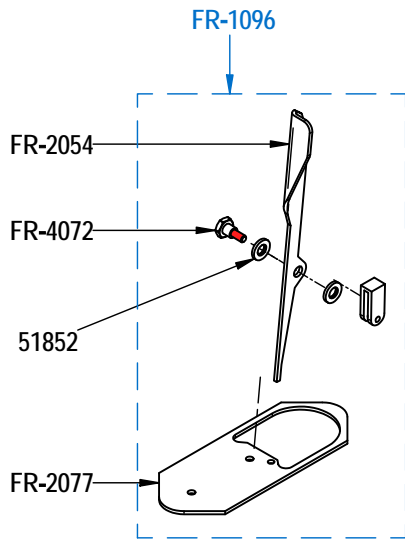


PLANCHE - PLATE 130

REF	DESIGNATIONS FR	DESIGNATIONS GB
41412	POINTE	<i>PIN</i>
51852	ENTRETOISE 12X6 EP1.6	<i>SPACER 13X6 EP1.6</i>
FR-1095	TRAPPE FERMETURE INT. TREMIE 100	<i>INT. CLOSING HATCH FOR HOPPER 100</i>
FR-1096	TRAPPE FERMETURE INT. TREMIE 150	<i>INT. CLOSING HATCH FOR HOPPER 150</i>
FR-1600	ENSEMBLE TREMIE 100	<i>HOPPER 100 FOR COFFEE GRINDER</i>
FR-1605	ENSEMBLE TREMIE 150	<i>HOPPER 150 FOR COFFEE GRINDER</i>
FR-2054	LEVIER TRAPPE TREMIE (150)	<i>LEVER FOR CLOSING HATCH</i>
FR-2056	LEVIER TRAPPE TREMIE (100)	<i>LEVER FOR CLOSING HATCH</i>
FR-2076	FERMETURE TREMIE 100X280	<i>CLOSING HATCH FOR HOPPER 100</i>
FR-2077	FERMETURE TREMIE 150X280	<i>CLOSING HATCH FOR HOPPER 150</i>
FR-2090	FERMETURE POUR TREMIE DE 100 X 280	<i>HOPPER 100 CLOSING PART</i>
FR-4072	VIS EPAULEE M4	<i>SCREW M4</i>
FR-4086	ETRIER LEVIER TRAPPE TREMIE	<i>U BOLT FOR LEVER HATCH</i>
FR-4197	TETON POUR TREMIE 150	<i>NIPPLE FOR HOPPER 150</i>
FR-7050	TREMIE 100 X 280	<i>HOPPER 100 X 280</i>
FR-7052	COUVERCLE DE TREMIE 100 x 280	<i>HOPPER TOP 100 X 280</i>
FR-7060	TREMIE 150 X 280	<i>HOPPER 150 X 280</i>
FR-7062	COUVERCLE DE TREMIE 150 x 280	<i>HOPPER TOP 150 X 280</i>
RO-58	POUSSOIR A BILLE	<i>THRUST BALL BEARING</i>
TG-2053	TRAPPE TREMIE 150 X 280	<i>CLOSING HATCH 150 X 280</i>



 Loctite 262

PLANCHE - PLATE 133

REF	DESIGNATIONS FR	DESIGNATIONS GB
28550	PROFILE CAOUTCHOUC U	GASKET
50100	VIS TC M4 X 25	SCREW M4 X 25
51552	RONDELLE INOX 4.25x14x0.8	S..STEEL WASHER 4.25x14x0.8
CN-343	RONDELLE EVENTAIL 4	WASHER 4
CN-661	ECROU CAGE M4, EP 1/1.6	INSERT NUT M4
DV-44	VIS TH M4X10 ACIER	SCREW M4x10
FR-2116	CACHE BASE 1 TREMIE	HOPPER SINGLE SEAT
FR-3545	CACHE BASE 2 TREMIES TANGO 2 GR	HOPPER DOUBLE SEAT
FR-4190	SUPPORT CELLULE TREMIE	SENSOR HOLDER
FR-8029	CELLULES OPTIQUES AVEC CONNECTEUR	PHOTO CELL SENSORS
PE-59	VIS TCHC M4x10 INOX	SCREW 4 X 10
TG-2010	DESSUS 2 TREMIES	2 HOPPERS TOP PLATE
TG-2041	DESSUS 1 TREMIE	1 HOPPER TOP PLATE

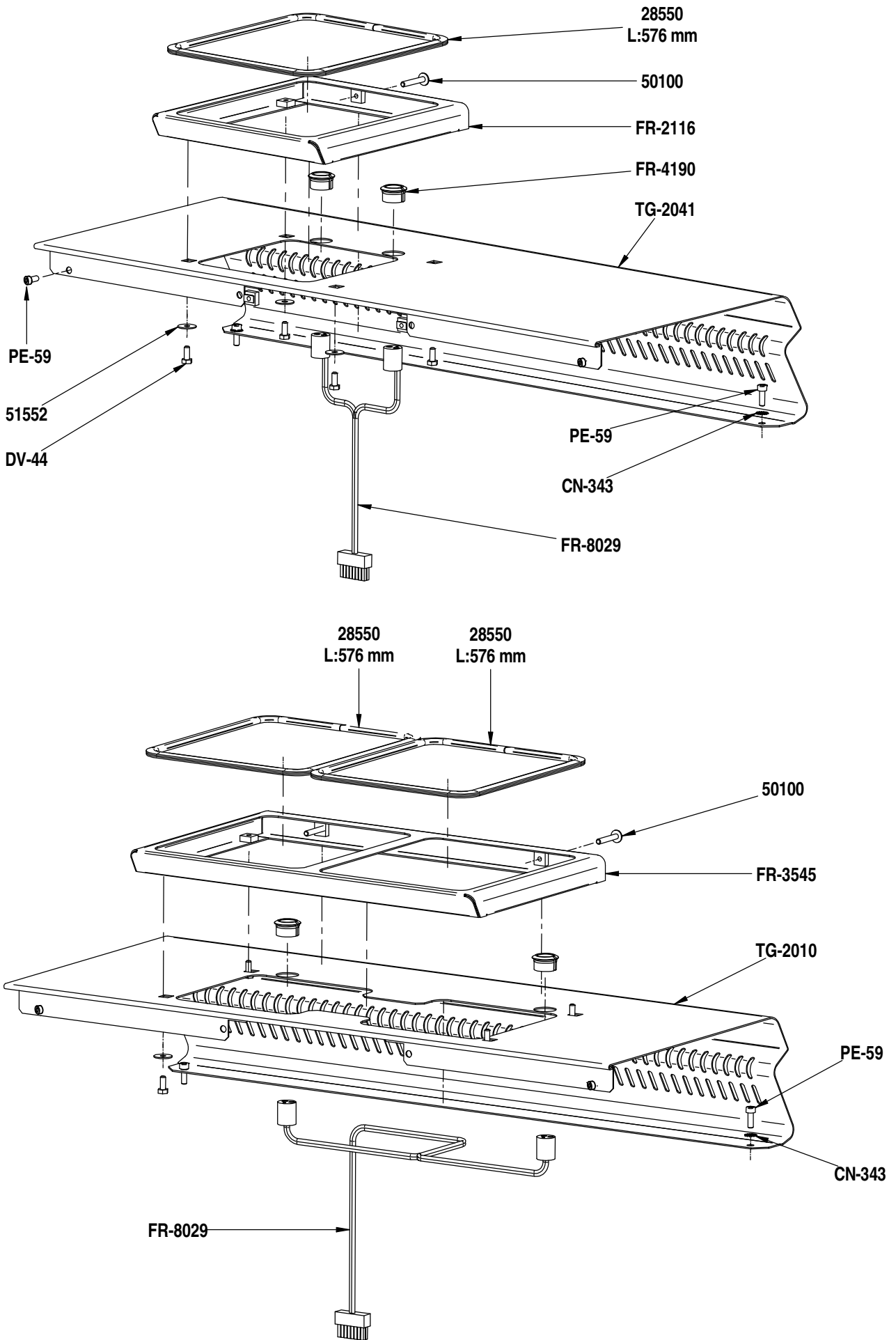
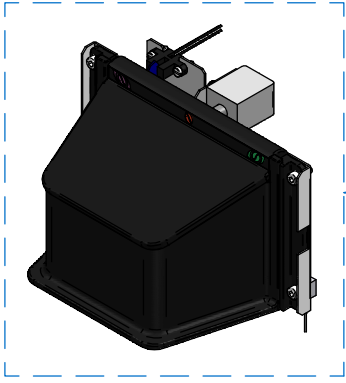
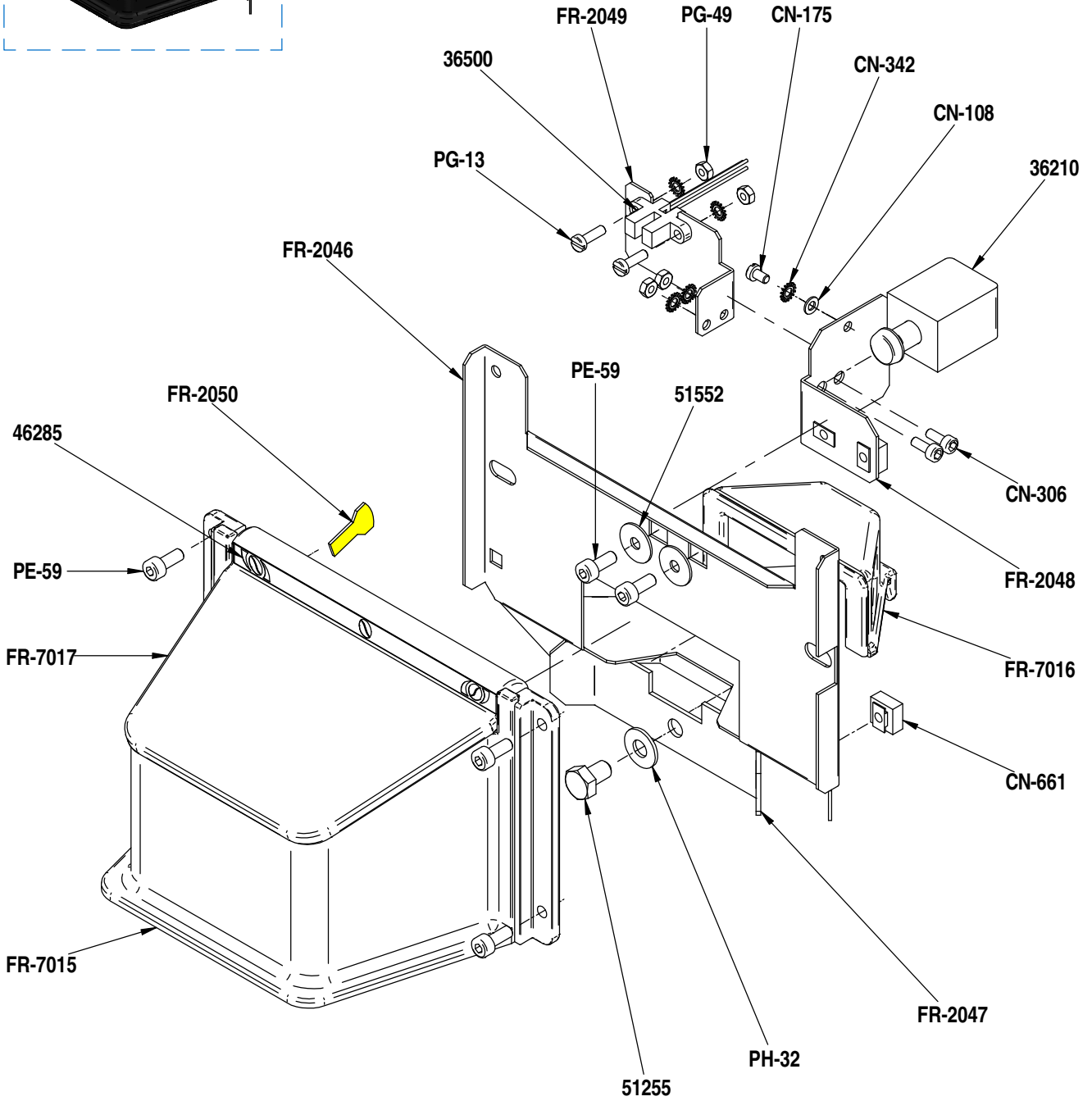


PLANCHE - PLATE 135

REF	DESIGNATIONS FR	DESIGNATIONS GB
36210	ELECTRO AIMANT COMPLET	WHOLE ELECTRO MAGNET
36500	CAPTEUR A FOURCHE EFFET HALL	FORK SENSOR
46285	AUTOCOLLANT BOITE DK TANGO ST	STICKER DK BOX
51255	VIS TH M6 X 10 INOX	S. STEEL SCREW M6 X 10
51552	RONDELLE INOX 4.25x14x0.8	S..STEEL WASHER 4.25x14x0.8
CN-108	RONDELLE LAITON Z3	WASHER
CN-175	VIS TC M3 X 5 INOX	SCREW M3 X 5
CN-306	VIS INOX TCHC 3 x 8	SCREW M3 X 8
CN-342	RONDELLE EVENTAIL 3	WASHER 3
CN-661	ECROU CAGE M4, EP 1/1.6	INSERT NUT M4
FR-2046	TOLE SUPPORT BOITE DK	DK BOX HOLDER
FR-2047	CALE DE FIXATION	PLATE U
FR-2048	TOLE SUPPORT ELECTRO AIMANT	ELECTRO MAGNET HOLDER
FR-2049	SUPPORT CAPTEUR BOITE DK	FORK SENSOR HOLDER
FR-2050	TOLE BUTEE	PLATE FOR SENSOR
FR-7015	CORPS BOITE DK	DK BOX BODY
FR-7016	COLLECTEUR CAFE	COFFEE COLLECTOR
FR-7017	PORTE	DOOR
PE-59	VIS TCHC M4x10 INOX	SCREW 4 X 10
PG-13	VIS TC M3x10	SCREW M3 X 10
PG-49	ECROU INOX Hu DE 3	NUT M3
PH-32	RONDELLE ACIER Zn 6,25x14x1,2	WASHER
TG-1138	BOITE DK TANGO ST	DK BOX TANGO ST



TG-1138



 Loctite 401

PLANCHE - PLATE 201

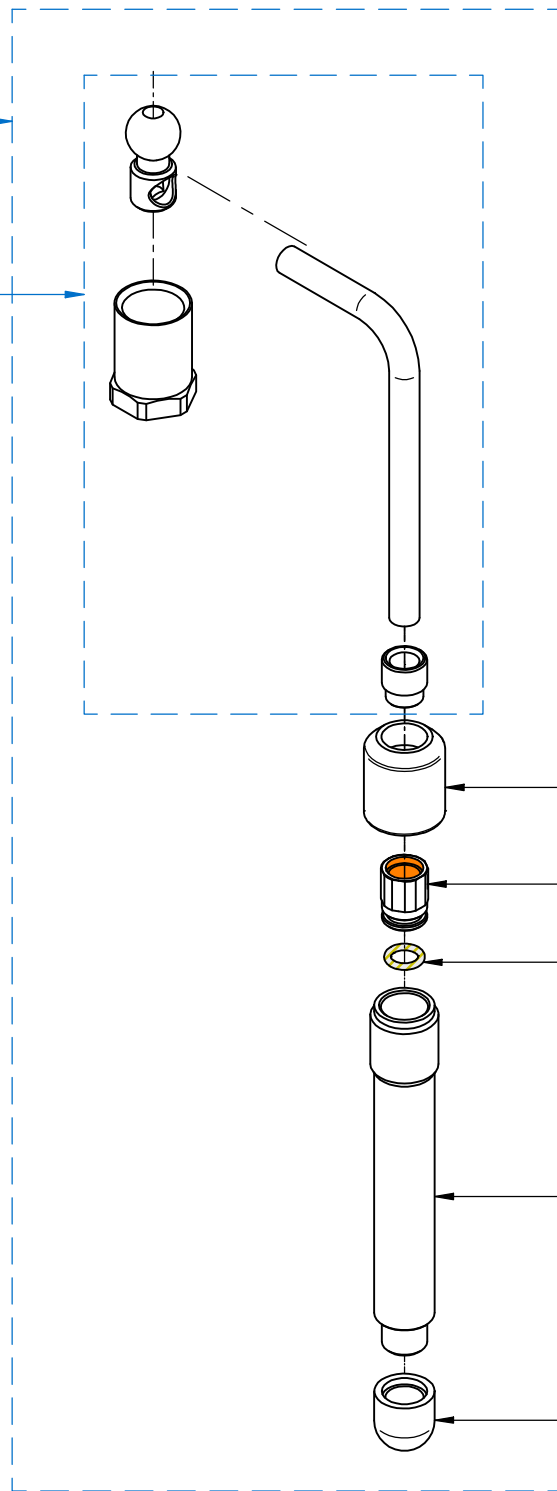
REF	DESIGNATIONS FR	DESIGNATIONS GB
12747	TUBE SILICONE SOUPLE 4 - 7	<i>FLEXIBLE SILICONE PIPE 4 - 7</i>
23763	AXE BANJO 1/4M - 1/8F	<i>BANJO SCREW 1/4M 1/8F</i>
23785	CORPS DE VALVE 1/8	<i>VALVE BODY</i>
25915	CACHE SORTIE EAU VAPEUR	<i>COVER OUTLET STEAM WATER</i>
26175	EMBOUT M6	<i>M6 NOZZLE</i>
27224	KIT VALVE DE PURGE	<i>VACCUM VALVE KIT</i>
27225	TIGE VALVE SPHERIQUE	<i>SPHERICAL ROD</i>
27226	ECROU VALVE DE PURGE	<i>VACCUM VALVE NUT</i>
27227	CABOCHON VALVE DE PURGE	<i>STOPPER PURGE VALVE</i>
27796	JOINT TORIQUE 1,78 X 12,42 NEXUS	<i>O RING 1.78 X 12,42</i>
28352	JOINT PLAT 20X12X2 EPDM 70SH	<i>GASKET 20X12X2</i>
35140	ELECTROVANNE 3/2 24V-50/60Hz	<i>ELECTROVALVE 3/2 24V-50/60</i>
35145	ELECTROVANNE 3/2 24V-50/60 NICKELEE	<i>ELECTROVALVE 3/2 24V-50/60 NICKEL-PLATED</i>
CN-198	JOINT TORIQUE 1,78X6,07 FKM	<i>GASKET - 6.07 x 1.78</i>
CN-2850	JOINT TORIQUE 1,78X10,82	<i>GASKET 10.82x1.78</i>
DV-170	ECROU CHROME	<i>NUT 3/8</i>
DV-171	RACCORD 3/8-1/4	<i>FITTING 3/8</i>
FR-6059	TUBE EV SORTIE VAPEUR	<i>EV STEAM OUTLET PIPE</i>
FR-6069	TUBE VAPEUR DUO	<i>STEAM PIPE</i>
PA-43	RESSORT F15/10 L14,5 D10,5 P3	<i>SPRING</i>
PH-54	JOINT TORIQUE 2,62X13,95 EPDM	<i>O RING - 13.95 x 2.62</i>
PH-78	JOINT TORIQUE 2,62X9,13 EPDM	<i>O RING - 9,13 X 2,62</i>
RR-67	EMBOUT LAITON	<i>BRASS END</i>

PLANCHE - PLATE 221

REF	DESIGNATIONS FR	DESIGNATIONS GB
CN-436	JOINT TORIQUE 1,78X8,73 EPDM	<i>GASKET 8,73 X 1,78</i>
FR-1058	SORTIE VAPEUR PTFE	<i>PTFE STEAM OUTLET</i>
FR-6014	TUBE SORTIE VAPEUR PTFE	<i>PTFE STEAM OUTLET PIPE</i>
RO-70	EMBOUT VAPEUR TEFLON 6 TROUS	<i>LOW TEFLON PIPE</i>
RO-72	TUBE TEFLON	<i>PIPE TEFLON</i>
RO-73	RACCORD SORTIE VAPEUR	<i>FITTING STEAM OUTLET</i>
RO-76	BAGUE SORTIE VAPEUR	<i>FITTING PLASTIC</i>

FR-1058

FR-6014



RO-76

RO-73

CN-436

RO-72

RO-70

 Graisse 8104

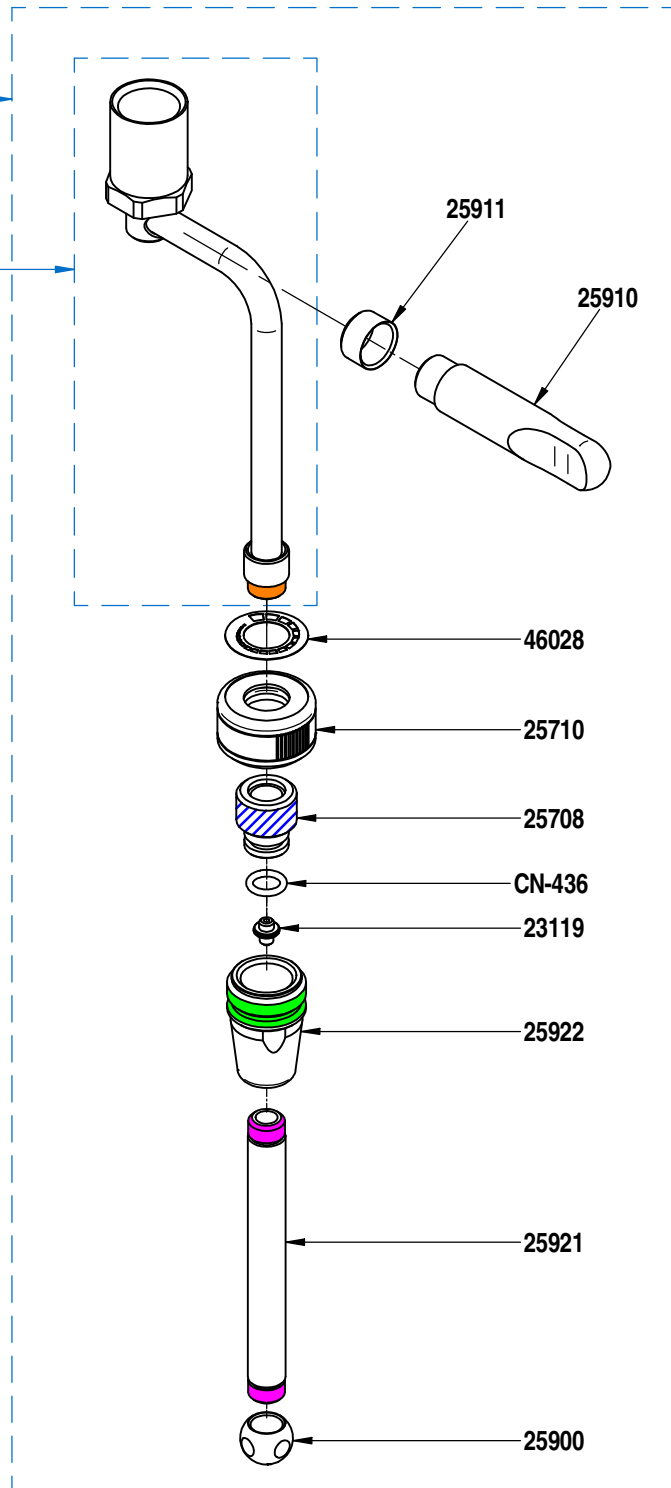
 Loctite 542

PLANCHE - PLATE 232

REF	DESIGNATIONS FR	DESIGNATIONS GB
23119	GICLEUR DIAM:0,9	GICLUER DIAM. 0.9
25708	RACCORD SORTIE DEBIT REGLABLE	ADJUSTABLE OUTLET FITTING
25710	MOLETTE POUR SORTIE DEBIT REGLABLE	ADJUSTABLE OUTLET TOOTHED WHEEL
25900	BRISE JET BOULE POUR IRISH	ANTI PLASH BALL FOR IRISH
25910	POIGNEE SORTIE EAU CHAUDE ET VAPEUR	HOT WATER AND STEAM OUTLET HANDLE
25911	BAGUE POUR POIGNEE EAU ET VAPEUR	WATER AND STEAM HANDLE COLLAR
25921	RALLONGE SORTIE IRISH	IRISH OUTLET EXTENSION
25922	EMBOUT SORTIE IRISH DEBIT REGLABLE	ADJUSTABLE FLOW IRISH NOZZLE
46028	AUTOCOLLANT SORTIES REGLABLES	ADJUSTABLE OUTLET STICKER
CN-436	JOINT TORIQUE 1,78X8,73 EPDM	GASKET 8,73 X 1,78
FR-1029	SORTIE VAPEUR REGLABLE	ADJUSTABLE STEAM OUTLET
FR-6014	TUBE SORTIE VAPEUR PTFE	PTFE STEAM OUTLET PIPE

FR-1029

FR-6014



 Graisse 84236

 Loctite 542

 Loctite 262

 Loctite 222

PLANCHE - PLATE 241

REF	DESIGNATIONS FR	DESIGNATIONS GB
25904	RALLONGE SORTIE CAPPUCINO	CAPPUCINO OUTLET EXTENSION
25906	SUPPORT DE SONDE TANGO	TANGO PROBE SUPPORT
25907	TUBE PTFE STEAMAIR	PTFE STEAMAIR PIPE
25909	EMBOUT PTFE 12 TROUS	12 HOLES END PIPE
28104	JOINT TORIQUE 2X9,5 FKM 80SH	GASKET 2X9,5
34406	SONDE VAPEUR THERMOSTATEE V+	V+ THERMOSTATED STEAM PROBE
CN-436	JOINT TORIQUE 1,78X8,73 EPDM	GASKET 8,73 X 1,78
FR-1038	SORTIE STEAMAIR V+	V+ STEAMAIR OUTLET
PC-38	VIS STHC M5X8 BOUT POINTU	POINT END SCREW
PH-78	JOINT TORIQUE 2,62X9,13 EPDM	O RING - 9,13 X 2,62
RO-55	BARILLET	BARREL
RO-57	MELANGEUR EN LAITON	MIXER
RO-58	POUSSOIR A BILLE	THRUST BALL BEARING
RO-59A	TUBE SORTIE VAPEUR SP	CHROME COPPER TUBE
RO-68	CACHE BARILLET	BARREL COVER

FR-1038

RO59A

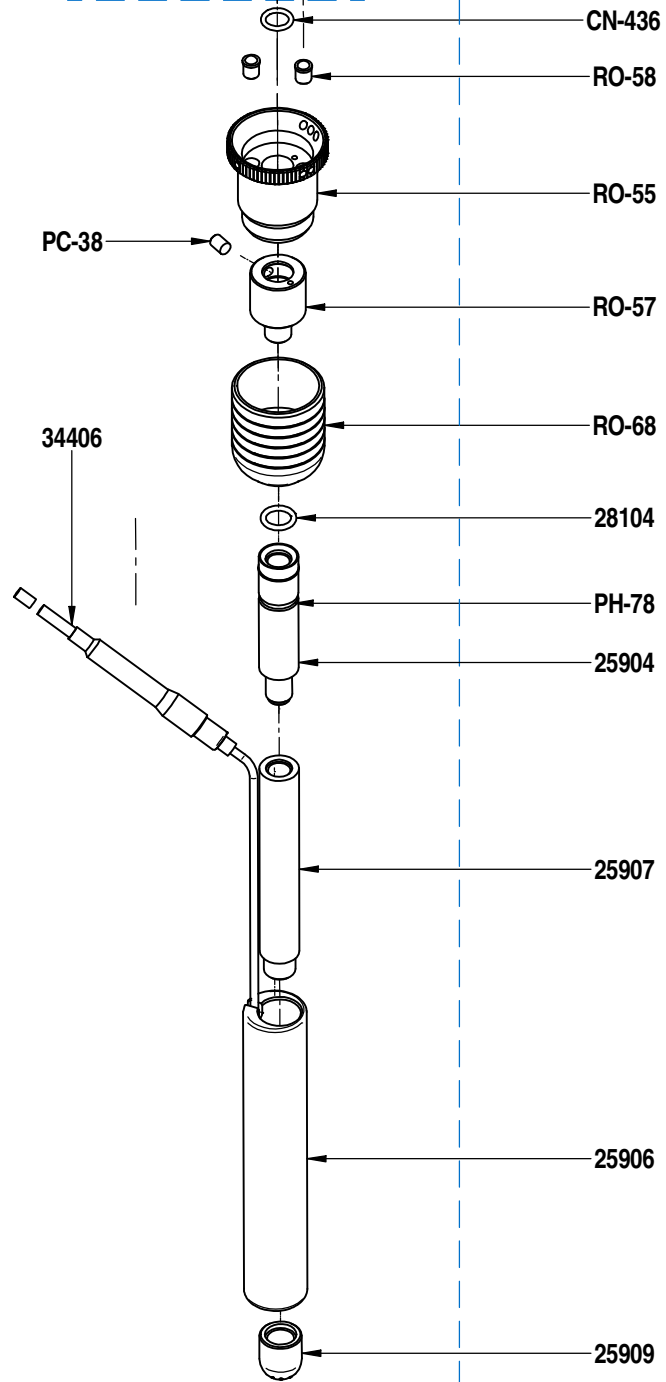
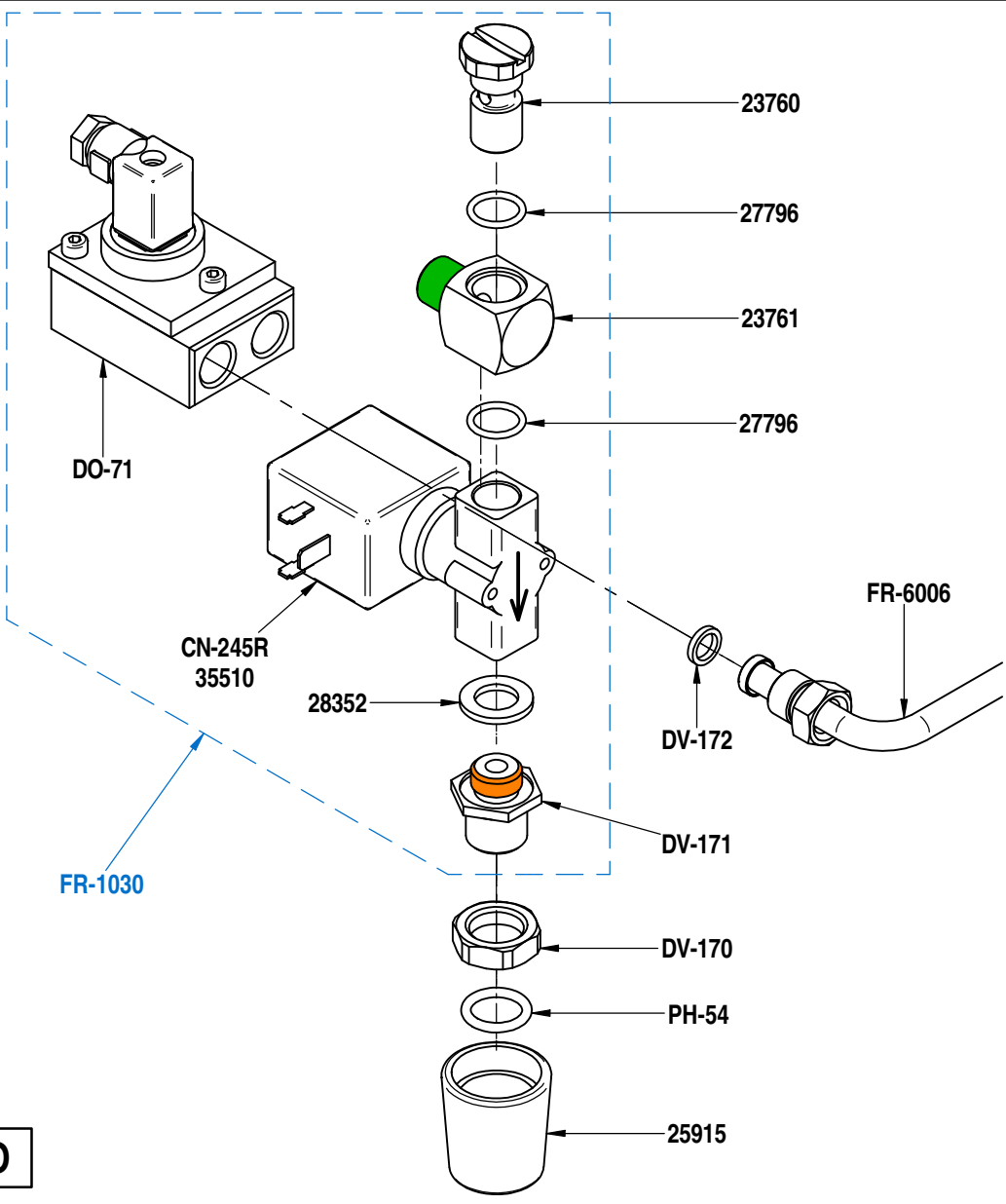


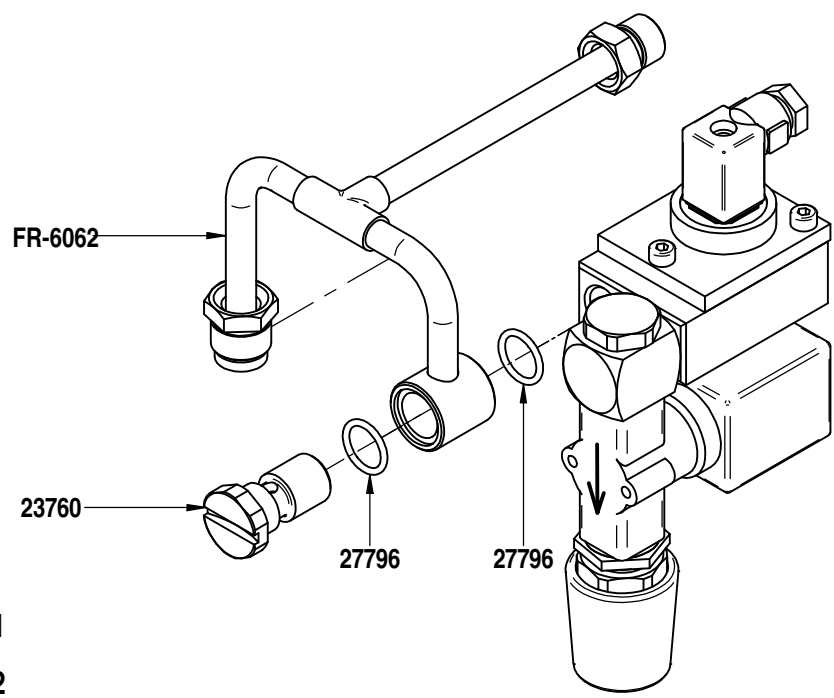
PLANCHE - PLATE 251

REF	DESIGNATIONS FR	DESIGNATIONS GB
23760	AXE BANJO 1/4	<i>BANJO SCREW 1/4</i>
23761	CORPS DE BANJO 1/4	<i>BANJO BODY 1/4</i>
25915	CACHE SORTIE EAU VAPEUR	<i>COVER OUTLET STEAM WATER</i>
27796	JOINT TORIQUE 1,78 X 12,42 NEXUS	<i>O RING 1.78 X 12,42</i>
28352	JOINT PLAT 20X12X2 EPDM 70SH	<i>GASKET 20X12X2</i>
35510	EV 2 VOIES 24V NSF	<i>ELECTROVALVE 2 WAYS 24V NSF</i>
CN-245R	ELECTROVANNE 2V 24V-50/60Hz	<i>ELECTROVALVE 2W 24V-50/60Hz</i>
DO-71	DOSEUR D'EAU COMPLET D=2,5	<i>WHOLE WATER DOS. DEVICE D:2,5</i>
DV-170	ECROU CHROME	<i>NUT 3/8</i>
DV-171	RACCORD 3/8-1/4	<i>FITTING 3/8</i>
DV-172	JOINT PLAT 11.4 X 7.5 X 1.9	<i>GASKET</i>
FR-1030	SORTIE EAU CHAUDE HAUT	<i>HOT WATER OUTPUT UP</i>
FR-6006	TUBE EV EAU CHAUDE	<i>HOT WATER EV PIPE</i>
FR-6062	TUBE EAU CHAUDE	<i>HOT WATER PIPE</i>
PH-54	JOINT TORIQUE 2,62X13,95 EPDM	<i>O RING - 13.95 x 2.62</i>



DUO

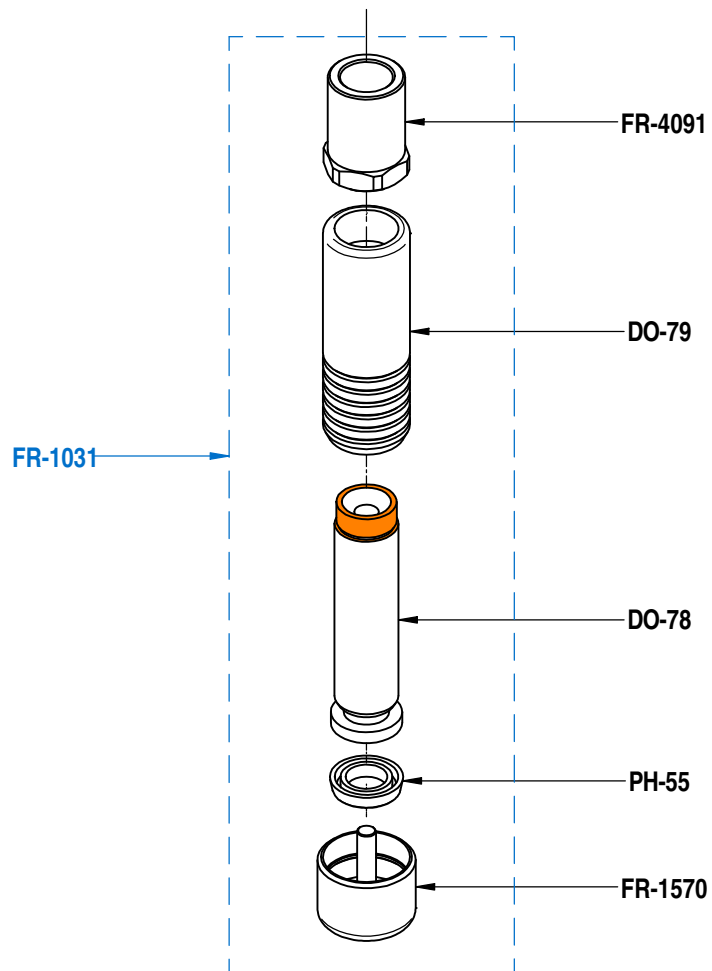
SOLO & ACE



- Loctite 601
- Loctite 542

PLANCHE - PLATE 260

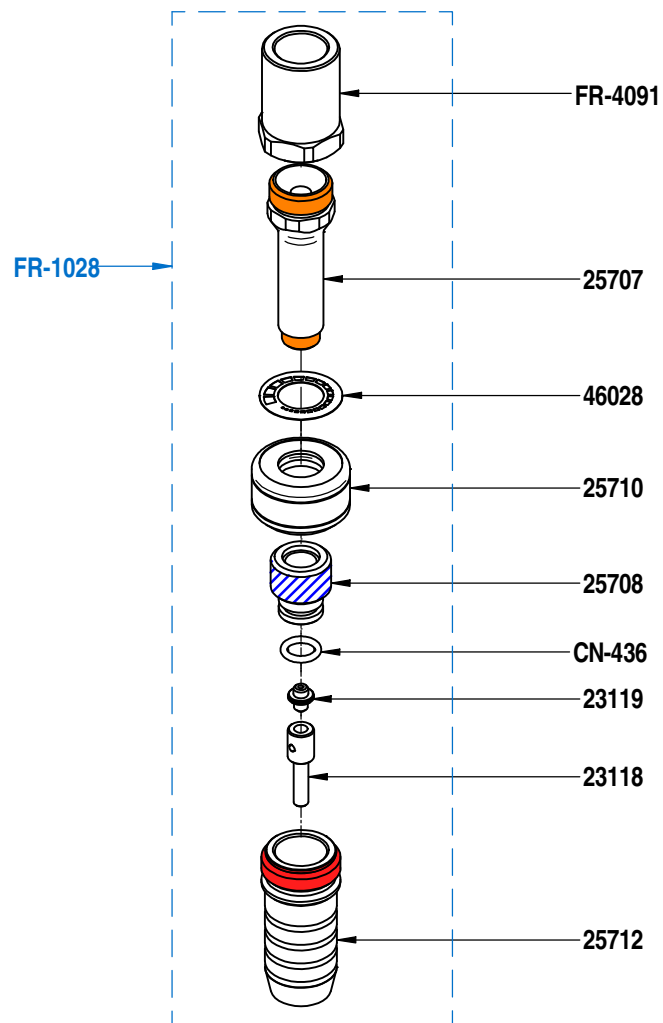
REF	DESIGNATIONS FR	DESIGNATIONS GB
DO-78	SORTIE TELESCOPIQUE	<i>TELESCOPIC OUTLET</i>
DO-79	RALLONGE SORTIE TELESCOPIQUE	<i>TELESCOPIC OUTLET EXTENSION</i>
FR-1031	SORTIE EAU CHAUDE	<i>HOT WATER OUTPUT</i>
FR-1570	BRISE JET EAU CHAUDE	<i>ANTI SPLASH PLUG</i>
FR-4091	RACCORD ENTRETOISE 3/8F	<i>FITTING 3/8</i>
PH-55	JOINT LEVRE 11,11X19,05X3,96	<i>GASKET 11,11 X 19,05 X 3,96</i>



 Loctite 542

PLANCHE - PLATE 270

REF	DESIGNATIONS FR	DESIGNATIONS GB
23118	SUPPORT GICLEUR SORTIE EAU CHAUDE	<i>HOT WATER GICLUER SUPPORT</i>
23119	GICLEUR DIAM:0,9	<i>GICLUER DIAM. 0.9</i>
25707	TUBE SORTIE EAU CHAUDE REGLABLE	<i>ADJUSTABLE HOT WATER OUTLET PIPE</i>
25708	RACCORD SORTIE DEBIT REGLABLE	<i>ADJUSTABLE OUTLET FITTING</i>
25710	MOLETTE POUR SORTIE DEBIT REGLABLE	<i>ADJUSTABLE OUTLET TOOTHED WHEEL</i>
25712	EMBOUT EAU CHAUDE DEBIT REGLABLE	<i>ADJUSTABLE HOT WATER SPOUT</i>
46028	AUTOCOLLANT SORTIES REGLABLES	<i>ADJUSTABLE OUTLET STICKER</i>
CN-436	JOINT TORIQUE 1,78X8,73 EPDM	<i>GASKET 8,73 X 1,78</i>
FR-1028	SORTIE EAU CHAUDE REGLABLE	<i>ADJUSTABLE HOT WATER OUTLET</i>
FR-4091	RACCORD ENTRETOISE 3/8F	<i>FITTING 3/8</i>



 Graisse 84236

 Loctite 542

 Loctite 262

PLANCHE - PLATE 302

REF	DESIGNATIONS FR	DESIGNATIONS GB
FR-6004	TUBE GROUPE CAFE DROIT	<i>RIGHT EV COFFEE PIPE</i>
FR-6005	TUBE GROUPE CAFE GAUCHE	<i>LEFT EV COFFEE PIPE</i>
FR-6006	TUBE EV EAU CHAUDE	<i>HOT WATER EV PIPE</i>
FR-6007	TUBE REMPLISSAGE CHAUDIERE VAPEUR	<i>WATER BOILER FILLING PIPE</i>
FR-6012	TUBE ALIMENTATION BLOC PASTILLE(S)	<i>CLEANING DEVICE FEEDING PIPE</i>
FR-6035	TUBE ALIM. EV NETTOYAGE GROUPE	<i>CLEANING EV FEEDING PIPE</i>
FR-6042	TUBE DOSEUR DROIT	<i>RIGHT METERING UNIT PIPE</i>
FR-6043	TUBE DOSEUR GAUCHE	<i>LEFT METERING UNIT PIPE</i>
FR-6069	TUBE VAPEUR DUO	<i>STEAM PIPE</i>
FR-6511	TUBE PTFE SORTIE EAU CHAUDE L:375	<i>OUTLET HOT WATER PIPE L:375mm</i>
FR-6520	TUBE CAFE lg 238 mm	<i>COFFEE PIPE length 238 mm</i>
FR-6521	TUBE DETERGENT	<i>DETERGENT PIPE</i>
FR-6525	TUBE DE DECOMPRESSION L 400MM	<i>DISCHARGE PIPE L 400MM</i>
FR-6526	TUBE DE DECOMPRESSION L 430MM	<i>DISCHARGE PIPE L 430MM</i>
ID-75	TUBE FLEXIBLE COUDE ARME INOX	<i>FLEXIBLE PIPE</i>
TG-6005	TUBE INTER-DOSEURS DUO	<i>DOSING DEVICE PIPE FOR DUO</i>
TG-6006	TUBE REMPLISSAGE CHAUDIERE CAFE	<i>COFFEE BOILER FILLING PIPE</i>

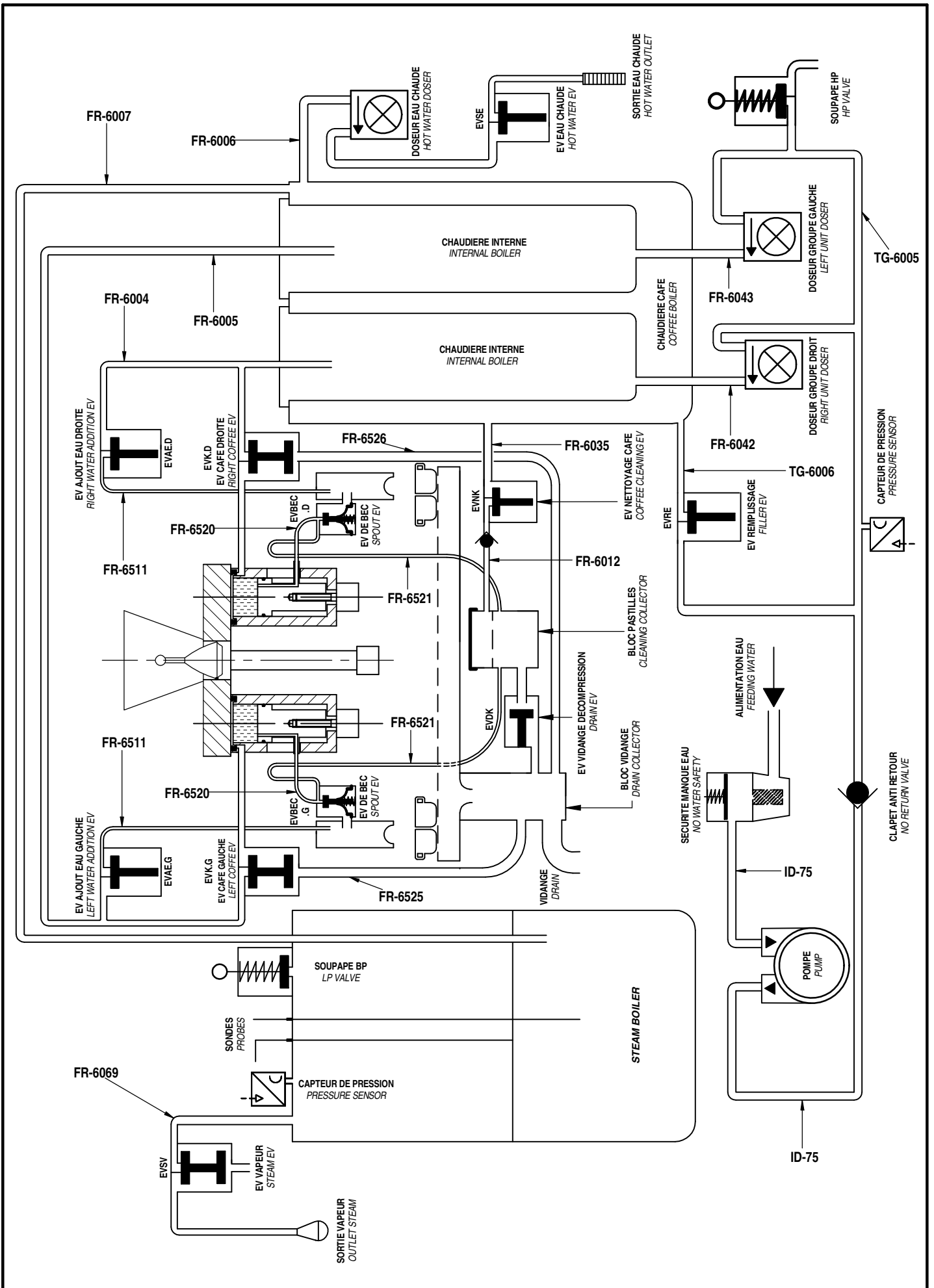
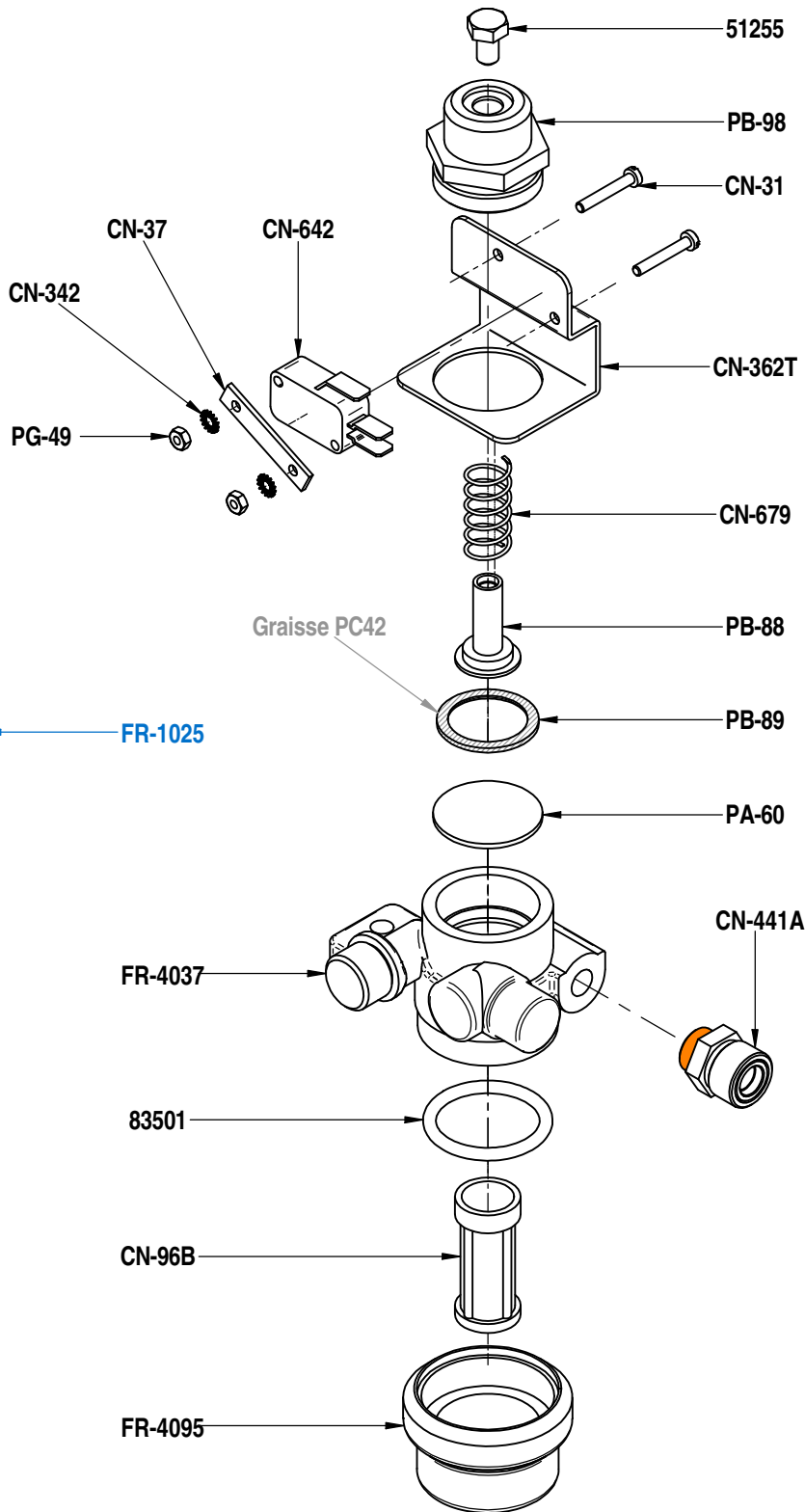
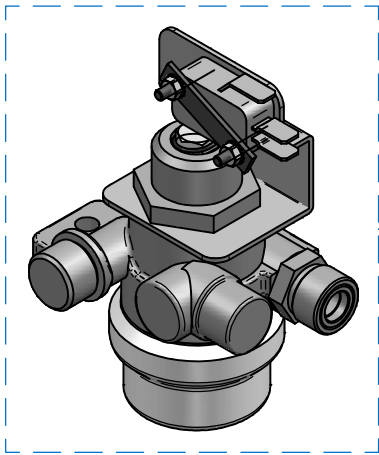


PLANCHE - PLATE 310

REF	DESIGNATIONS FR	DESIGNATIONS GB
51255	VIS TH M6 X 10 INOX	S. STEEL SCREW M6 X 10
83501	JOINT TORIQUE 3,53 X 29,75	GASKET 3,53 X 29,75
CN-31	VIS TC M3 X 20 INOX	SCREW M3 X 20
CN-342	RONDELLE EVENTAIL 3	WASHER 3
CN-362T	SUPPORT TOLE POUR MINIRUPTEUR	MICROSWITCH HOLDER
CN-37	PATTE INOX FIXATION MINIRUPT.	MICROSWITCH HOLDING BAR
CN-441A	RACCORD 1/4M-3/8M	FITTING 1/4 3/8
CN-642	MINIRUPTEUR F=300GR FLASHE OR	MICROSWITCH
CN-679	RESSORT SECU. EAU D13 P5 L30	SPRING
CN-96B	CARTOUCHE POUR FILTRE 80 MIC	FILTER CARTRIDGE 80 MICRONS
FR-1025	SECURITE MANQUE D'EAU	NO WATER SAFETY
FR-4037	BLOC FILTRE SECURITE EAU	WATER SAFETY BODY
FR-4095	CUVE FILTRE LAITON	BRASS WATER SAFETY DISK
PA-60	MEMBRANE D30	MEMBRANE D30
PB-88	PISTON	PISTON
PB-89	RONDELLE POUR MEMBRANE	TIGHTENING WASHER
PB-98	EMBOUT	FITTING
PG-49	ECROU INOX Hu DE 3	NUT M3



 Loctite 542

PLANCHE - PLATE 320

REF	DESIGNATIONS FR	DESIGNATIONS GB
28104	JOINT TORIQUE 2X9,5 FKM 80SH	GASKET 2X9,5
37205	BY PASS POUR POMPE FLUIDOTECH	BY PASS FOR FLUIDOTECH PUMP
37210	JOINT D'ACCOUPLLEMENT	SLEEVE COUPLING
37211	AMORTISSEUR ACCOUPLEMENT	RUBBER COUPLING
37215	JOINT D'ACCOUPLLEMENT	SLEEVE COUPLING
37216	KIT ACCOUPLEMENT POMPE	COUPLING KIT
37206	POMPE ROTATIVE 100L/H SANS PLOMB	UNLEADED PUMP 100L/H
37207	POMPE ROTATIVE 200L/H SANS PLOMB	UNLEADED PUMP 200L/H
37245	MOTEUR CANNELE 240V 50HZ	MOTOR 240V 50HZ
37250	MOTEUR 220V 50 HZ 120W	MOTOR 220V 50 HZ 120W
37252	MOTEUR 220V60 HZ UL	MOTOR 220V 60 HZ UL
37258	MOTEUR 240V 50HZ 120W	MOTOR 240V 50HZ 120W
51255	VIS TH M6 X 10 INOX	S. STEEL SCREW M6 X 10
51655	RONDELLE GROWER DE 6	WASHER 6
AE-13A	ECROU INOX Hu 6-100	NUT M6
CH-16	JOINT CUIVRE RECUIT 3/8	WASHER - COPPER - 3/8
CN-347A	RACCORD D'ALIM. 3/8 - 3/8 MM	FITTING - 3/8 X 3/8 -
CN-347C	RACCORD D'ALIM 3/8 3/8	FITTING 3/8 3/8
DO-19	PLOT APB 20-20	SILENTBLOC
PH-32	RONDELLE ACIER Zn 6,25x14x1,2	WASHER
PI-52	MOTEUR CANNELE 220V-50Hz	MOTOR 220V-50Hz
PI-52A	MOTEUR CANNELE 220V-60Hz	MOTOR 220V-60Hz

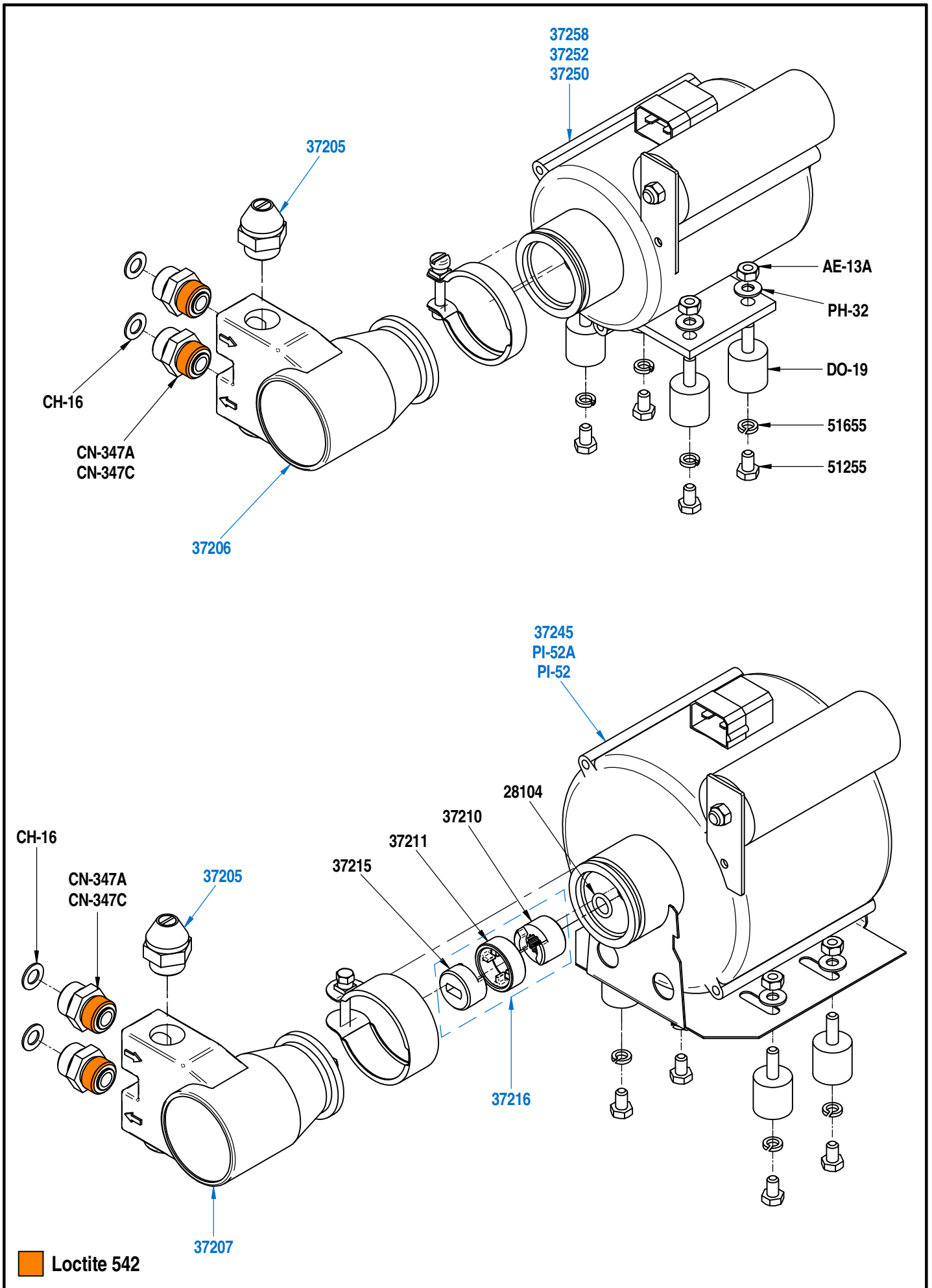


PLANCHE - PLATE 335

REF	DESIGNATIONS FR	DESIGNATIONS GB
21103	BOUCHON 1/4	PLUG 1/4
23751	AXE DE BANJO 1/8	BANJO SCREW
24456	RACCORD DROIT 1/8M 1/8F	FITTING 1/8
25400	FILTRE INOX	FILTER
26305	CLAPET ANTI RETOUR COMPACT NSF	NON RETURN VALVE NSF
28104	JOINT TORIQUE 2X9,5 FKM 80SH	GASKET 2X9,5
35515	EV 2 VOIES 24V 50-60HZ NSF	EV 2 WAYS 24V 50-60HZ NSF
36510	CAPTEUR DE PRESSION 0-16b	0-16b PRESSURE SENSOR
CN-347A	RACCORD D'ALIM. 3/8 - 3/8 MM	FITTING - 3/8 X 3/8 -
CN-347C	RACCORD D'ALIM 3/8 3/8	FITTING 3/8 3/8
CN-441A	RACCORD 1/4M-3/8M	FITTING 1/4 3/8
CN-539	TE 3/8 3/8 1/4	TEE 3/8 3/8 1/4
CN-631R	EV 2V REGL. 24V-50/60Hz	ELECTROVALVE 2W ADJ. 24V-50/60Hz
CN-633	CONNECTEUR DE COMPT. VOLUM.	CONNECTOR
CN-648	COMPTEUR VOLUMETRIQUE	WHOLE W.DOSING DEVICE
CN-663	CLAPET ANTI RETOUR COMPACT	VALVE - NON-RETURN
DO-187	CORPS DE SOUPAPE	VALVE BODY
DO-188	TIGE DE SOUPAPE	VALVE PISTON
DO-189	ECROU DE SOUPAPE	VALVE NUT
DO-190	CONTRE ECROU M18 X 100	NUT M18 X 100
DO-191	SOUPAPE H.P. COMPLETE	COMPLET H.P. VALVE
FR-2020	TOLE SUPPORT DOSEURS	DOSERS HOLDER
ID-98	JOINT CUIVRE GICLEUR D1.7X14.5	JET COPPER GASKET D1.7X14.5
MI-36	RACCORD 1/8M 1/8M	CONNECTION 1/8
PC-14	BILLE INOX POLIE DE 11	STAINLESS STEEL BALL DIA 11
PE-59	VIS TCHC M4x10 INOX	SCREW 4 X 10
PH-78	JOINT TORIQUE 2,62X9,13 EPDM	O RING - 9,13 X 2,62
PH-83	JOINT TORIQUE 2,62X9,19 PTFE	O RING 9,19 X 2,62 PTFE
R-100	RACCORD LAITON	FITTING
R-100A	RACCORD LAITON SP	FITTING SP
RO-14	RESSORT F20/10L26.5 D13 P5	SPRING
TG-4014	RACCORD NOURRICE 3 VOIES	FITTING 3 WAYS
TG-6005	TUBE INTER-DOSEURS DUO	DOSING DEVICE PIPE FOR DUO

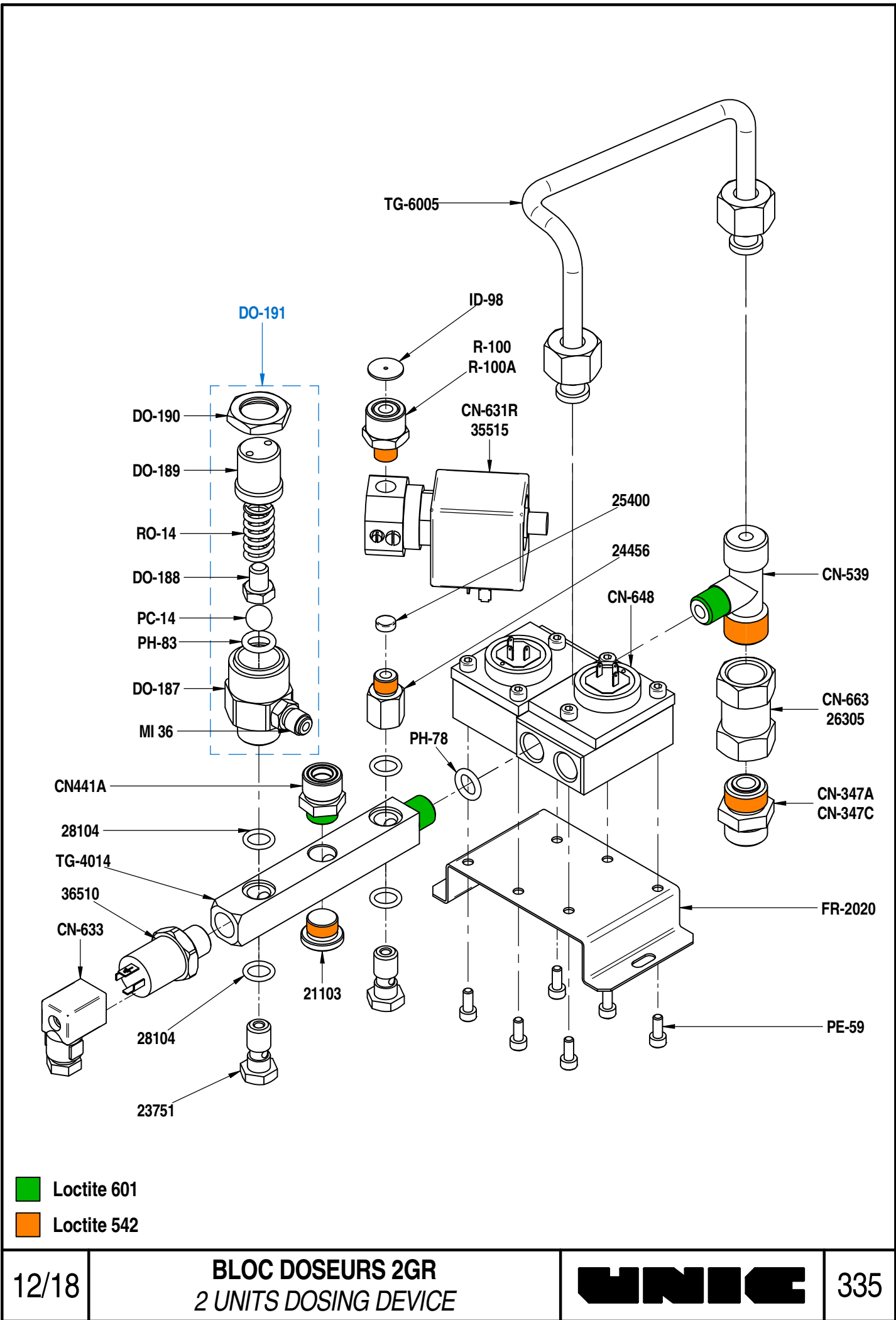


PLANCHE - PLATE 350

REF	DESIGNATIONS FR	DESIGNATIONS GB
12724	TUBE SILICONE D20	SILICONE PIPE
21100	BOUCHON 1/8	PLUG 1/8
27200	SOUPAPE VAPEUR BP 3,5 BARS	LP VALVE 3.5 BARS
27220	SOUPAPE VAPEUR BP 3,5 BARS NSF	LP VALVE 3.5 BARS NSF
26502	ENSEMBLE NIVEAU SONDE 3/8	LEVEL PROBE 3/8 SET
26526	SONDE DE NIVEAU HAUT	HIGH LEVEL PROBE
26527	SONDE DE NIVEAU BAS	LOW LEVEL PROBE
29053	RONDELLE ISOLATION CHAUDIERE	BOILER INSULATION WASHER
29055	CHAUDIERE	BOILER
29601	BRIDE DE CHAUDIERE	FLANGE BOILER
29815	CACHE RESISTANCE	INSULATOR BOOT
29855	ELEMENT CHAUFFANT 230V 4500W	HEATING ELEMENT 230V 4500W
36510MP	CAPTEUR DE PRESSION 0-16b	0-16b PRESSURE SENSOR
36510MPS	CAPTEUR DE PRESSION 0-16b	0-16b PRESSURE SENSOR
85210	ISOLANT CHAUDIERE	THERMIC INSULATOR
CV-3	VIS TH M8 x 20 INOX	S.STEEL SCREW M8 x 20
DO-94	BOUCHON 1/4 MALE	1/4 PLUG
FR-6007	TUBE REMPLISSAGE CHAUDIERE VAPEUR	WATER BOILER FILLING PIPE
NA-69A	PORTE SONDE EN LAITON	PROBE HOLDER CONNECTION
NA-70	BLOCAGE ELECTRODE NIVEAU AUTO	LEVEL PROBE COMPRESSION NUT
NA-71	PORTE-ELECTRODE EN TEFLON	LEVEL PROBE INSULATION
RR-83	RONDELLE GROVER DE 8	WASHER 8
TG-4015	RACCORD CAPTEUR DE PRESSION	PRESSURE SENSOR FITTING

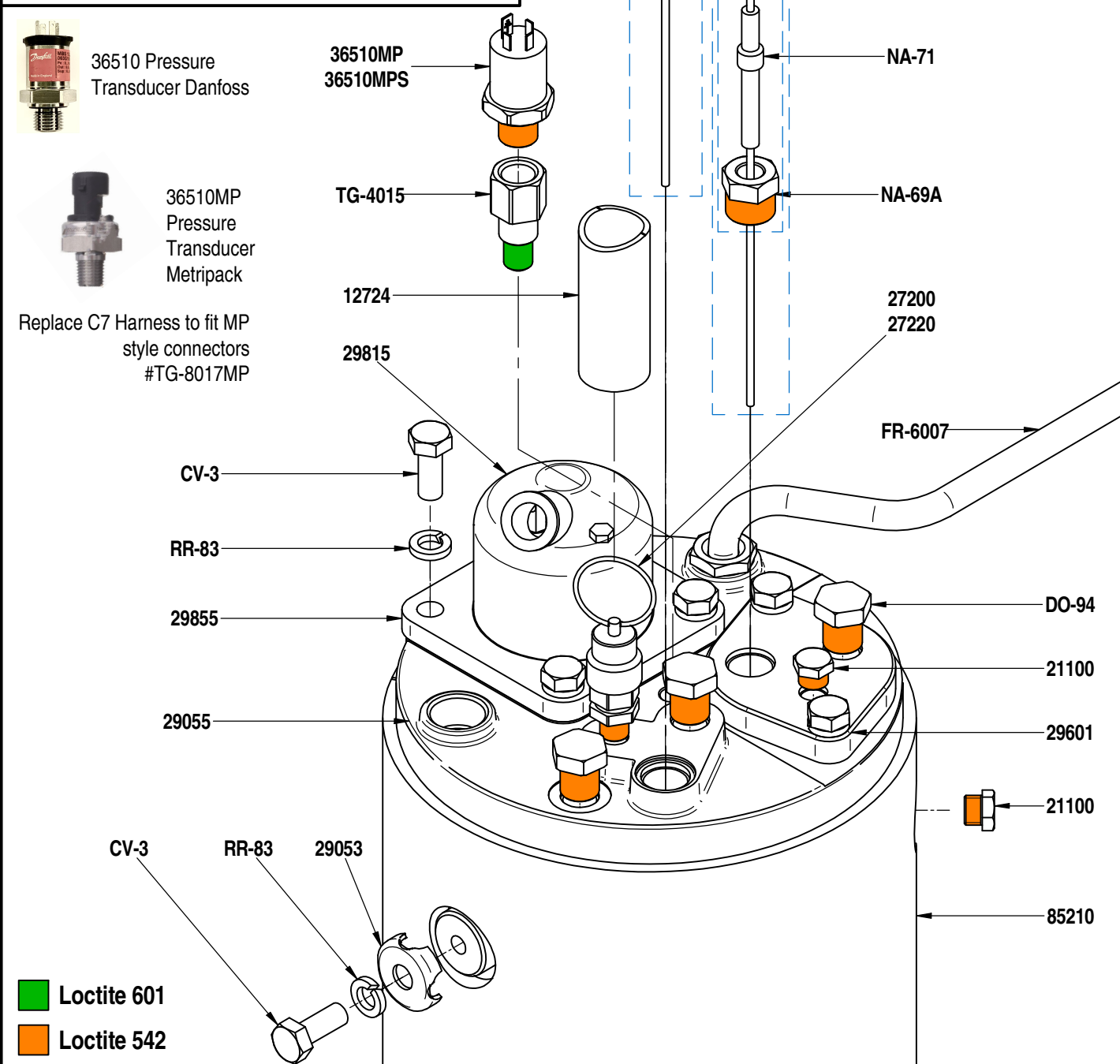
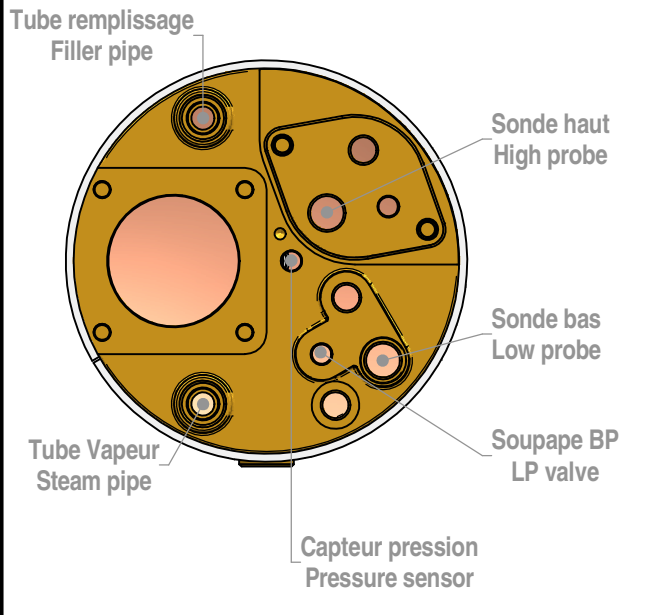


PLANCHE - PLATE 351

REF	DESIGNATIONS FR	DESIGNATIONS GB
29815	CACHE RESISTANCE	<i>INSULATOR BOOT</i>
29053	RONDELLE ISOLATION CHAUDIERE	<i>BOILER INSULATION WASHER</i>
29060	CHAUDIERE CAFE	<i>COFFEE BOILER</i>
29812	ELEMENT CHAUFFANT 230V4370W	<i>HEATING ELEMENT 230V 4370W</i>
34410	SONDE THERMOSTATIQUE	<i>THERMOSTATIC PROBE</i>
85210	ISOLANT CHAUDIERE	<i>THERMIC INSULATOR</i>
CV-20	JOINT TORIQUE 3,53X66,68 FKM	<i>GASKET - 66.68 x 3.53</i>
CV-3	VIS TH M8 x 20 INOX	<i>S.STEEL SCREW M8 x 20</i>
RR-83	RONDELLE GROVER DE 8	<i>WASHER 8</i>

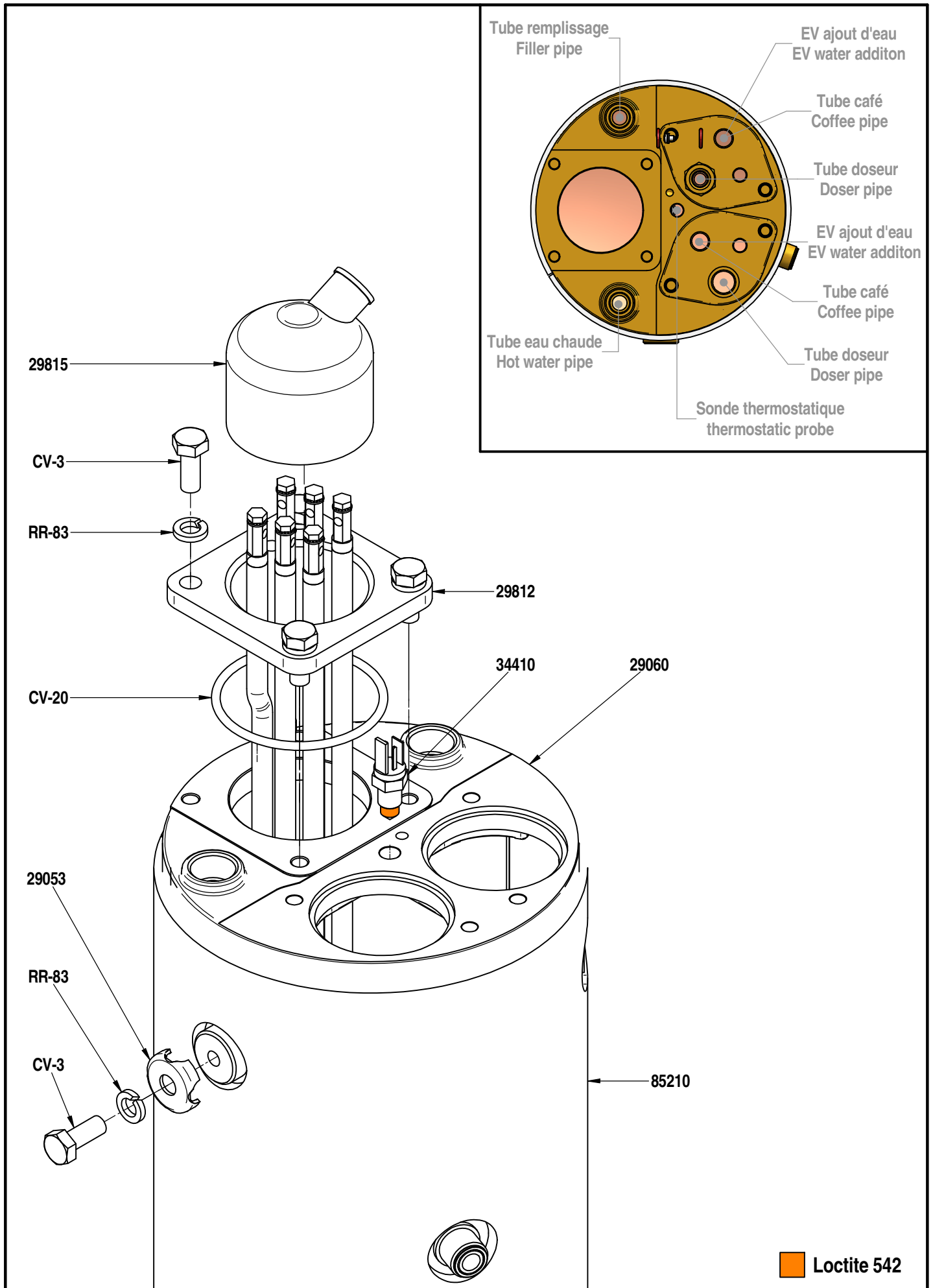


PLANCHE - PLATE 355

REF	DESIGNATIONS FR	DESIGNATIONS GB
20964	RACCORD 3/8M 1/2F	CONNECTION 3/8M 1/2F
21100	BOUCHON 1/8	PLUG 1/8
23117	GICLEUR DIAM:0,7	JET DIAM. 0.7
23751	AXE DE BANJO 1/8	BANJO SCREW
23752	CORPS DE BANJO 1/8	BANJO BODY FOR UNIT HEAD
23763	AXE BANJO 1/4M - 1/8F	BANJO SCREW 1/4M 1/8F
27716	JOINT TORIQUE 1,78 X 17.17 FKM	GASKET 1,78 X 17.17
27796	JOINT TORIQUE 1,78 X 12,42 NEXUS	O RING 1.78 X 12,42
28134	JOINT TORIQUE 2X9,5 NEXUS	O RING 2X9,5
29070	CHAUDIERE INTERNE	INTERNAL BOILER
29611	BRIDE DE CHAUDIERE	FLANGE BOILER
35500	ELECTROVANNE 2 VOIES 24V D2.3	ELECTROVALVE 2 WAYS 24V D2,3
35505	ELECTROVANNE 2 VOIES 24V NSF	2 WAYS ELECTROVALVE
50406	VIS H M8X25 INOX	S.S SCREW M8X25
28720T	JOINT PLAT PTFE	PTFE FLAT GASKET
CH-17	JOINT CUIVRE RECUIT 1/2	WASHER - COPPER - 1/2
DV-4001	TUBE TEFLON ALIM. GROUPE L:60	UNIT FEEDING TUBE
FR-1062	ENSEMBLE EV AJOUT EAU	ADDING WATER EV SET
FR-4025	SORTIE CAFE	COFFEE OUTLET SCREW
FR-4069	RACCORD 1/8M M8 X 100	FITTING 1/8M M8 X 100
FR-4090	SORTIE AJOUT EAU	WATER ADDING OUTLET
FR-4170	TUBE TEFLON ALIM. GROUPE L:150	UNIT FEEDING TUBE L150
FR-6004	TUBE GROUPE CAFE DROIT	RIGHT EV COFFEE PIPE
FR-6005	TUBE GROUPE CAFE GAUCHE	LEFT EV COFFEE PIPE
FR-6042	TUBE DOSEUR DROIT	RIGHT METERING UNIT PIPE
FR-6043	TUBE DOSEUR GAUCHE	LEFT METERING UNIT PIPE
FR-6511	TUBE PTFE SORTIE EAU CHAUDE L:375	OUTLET HOT WATER PIPE L:375mm
RR-83	RONDELLE GROVER DE 8	WASHER 8
TC-80	JOINT TORIQUE 1,78X2,90 FKM	GASKET 1.78X2.90 FKM

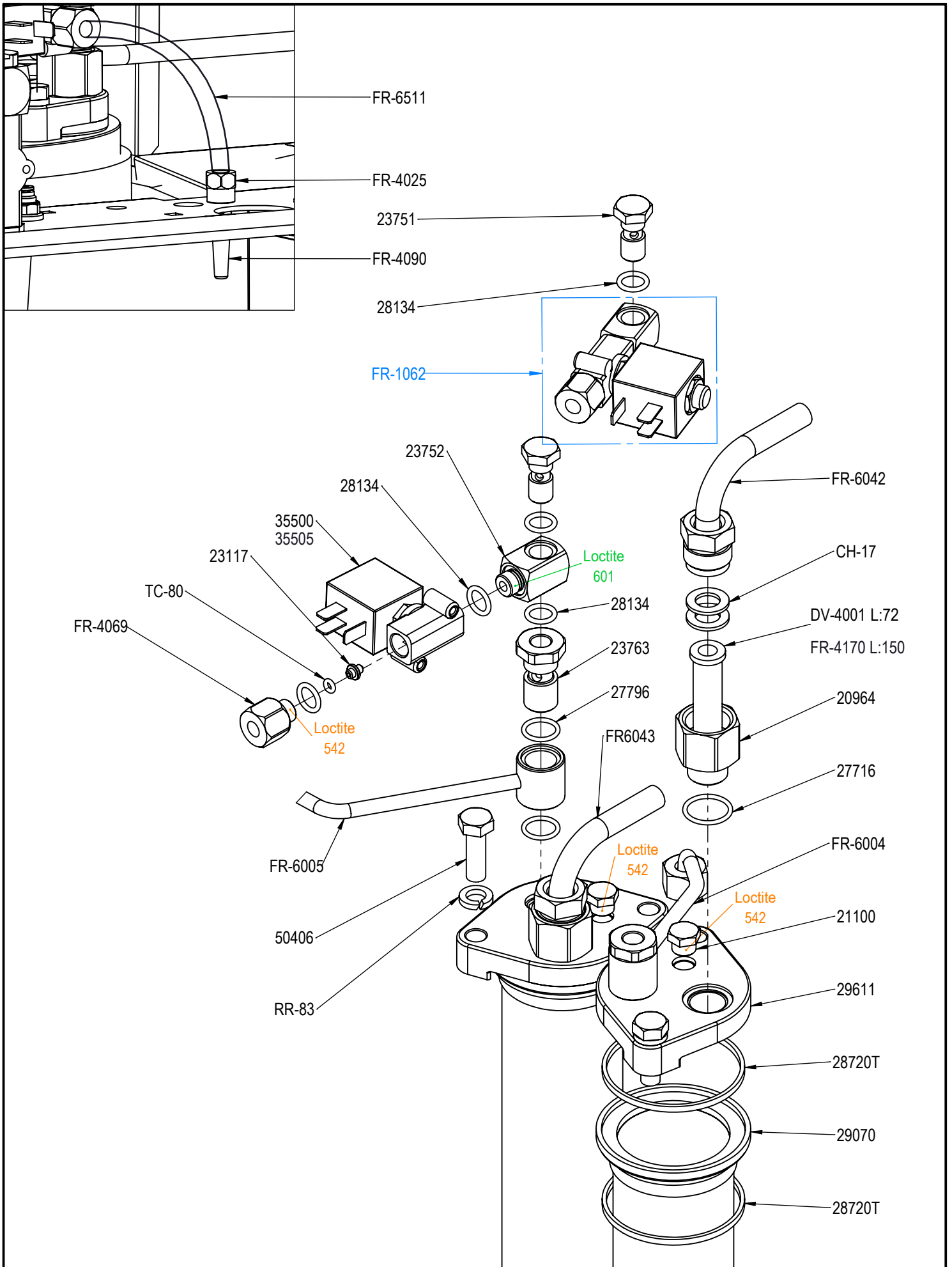


PLANCHE - PLATE 360

REF	DESIGNATIONS FR	DESIGNATIONS GB
12704	TUBE SILICONE 7X12	SILICONE PIPE 7X12
FR-4219	VIS IMPERDABLE	CAPTIVE SCREW
FR-6520	TUBE CAFE lg 238 mm	COFFEE PIPE length 238 mm
FR-6521	TUBE DETERGENT	DETERGENT PIPE
FR-6525	TUBE DE DECOMPRESSION L 400MM	DISCHARGE PIPE L 400MM
FR-6526	TUBE DE DECOMPRESSION L 430MM	DISCHARGE PIPE L 430MM
TG-8029	CABLE COMMANDES DROITE	RIGHT CONTROL WIRE
TG-8043	CABLE CMD EVRE, EVSE ,EVSV,EVKG	EVRE, EVSE, EVSV, EVKG WIRE
MI-71	COLLIER INCOLORE 150 X 3,5mm	COLOURLESS COLLAR 150 x 3,5mm

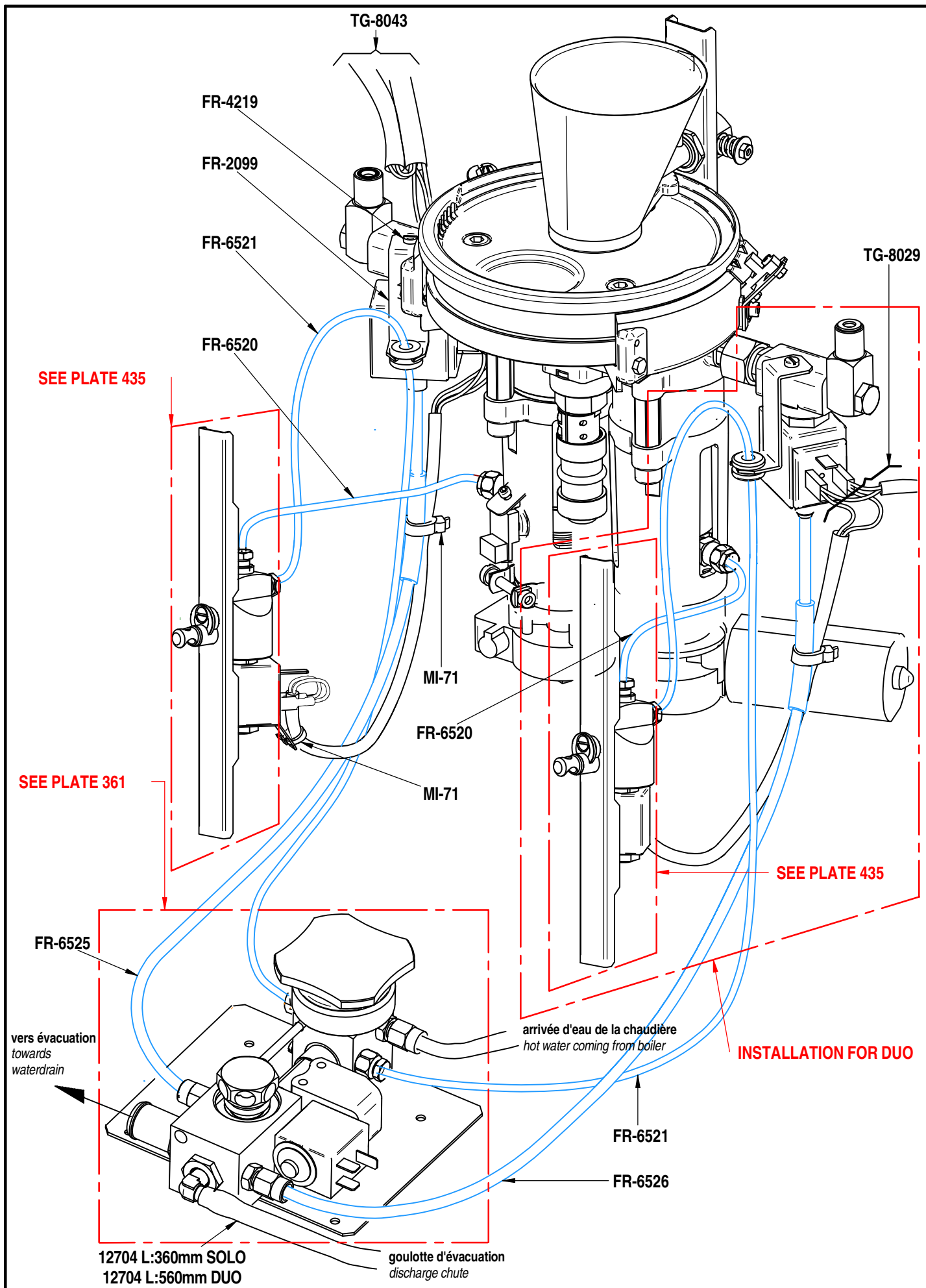


PLANCHE - PLATE 361

REF	DESIGNATIONS FR	DESIGNATIONS GB
21100	BOUCHON 1/8	PLUG 1/8
21455	RACCORD TETINE 1/8M D7	FITTING 1/8M D7
21456	RACCORD COUDE 1/8M D7	FITTING 1/8M D7
27821	JOINT TORIQUE 1.78 X 12.42	O-RING 1.78 X 12.42
27845	JOINT TORIQUE 2.62 X 17.13	O-RING 2.62 X 17.13
27907	JOINT TORIQUE 3.53 X 34.52 EPDM	GASKET 3.53 X 34.52 EPDM
28700	JOINT PLAT DU BOUCHON	GASKET
35550	ELECTROVANNE N.O 24V 50HZ	ELECTROVALVE N.O 24V 50HZ
35560	ELECTROVANNE N.O 24V 60HZ UL	ELECTROVALVE N.O 24V 60HZ UL
50110	VIS Chc M4 X 90	SCREW M4 X 90
AE-28	VIS TF M3 X 16	SCREW M3 X 16
B-53	ECROU CHROME BLOCAGE BASSINE	OVERFLOW-TRAY LOCK NUT
CN-342	RONDELLE EVENTAIL 3	WASHER 3
CN-37	PATTE INOX FIXATION MINIRUPT.	MICROSWITCH HOLDING BAR
CN-620	LEVIER AV.RESSORT 161E r=24,1	LEVER WITH CASTOR
CN-642E	MINIRUPTEUR ETANCHE	WATERPROOF MICROSWITCH
FR-1013	BLOC NETTOYAGE	CLEANING BLOCK
FR-1022	KIT BOUCHON DE NETTOYAGE	CLEANING PLUG
FR-2001	TOLE MICROSWITCH	MICROSWITCH HOLDER
FR-2006	TOLE SUPPORT COLLECTEURS	COLLECTOR HOLDER
FR-2135	GRILLE DU BLOC PASTILLE	GRID
FR-4035	BLOC PASTILLE	CLEANING BLOC
FR-4038	BOUCHON DU NETTOYAGE	CLEANING CAP
FR-4049	RACCORD 1/8M M8 X 100	FITTING 1/8M M8 X 100
FR-4210	BLOC VIDANGE 40X40	BLOCK DRAIN
FR-4211	TETINE LATERALE D'EVACUATION	NIPPLE DISCHARGE SIDE
FR-4212	RACCORD LISSE	SMOOTH FITTING
FR-4213	REDUCTION 3/8" 1/8"	REDUCTION 3/8" 1/8"
FR-4216	ENTRETOISE D6X1	SPACER D6X1
MI-36	RACCORD 1/8M 1/8M	CONNECTION 1/8
PG-49	ECROU INOX Hu DE 3	NUT M3
RO-13	VIS INOX TC 4 x 10	SCREW M4 X 10 -

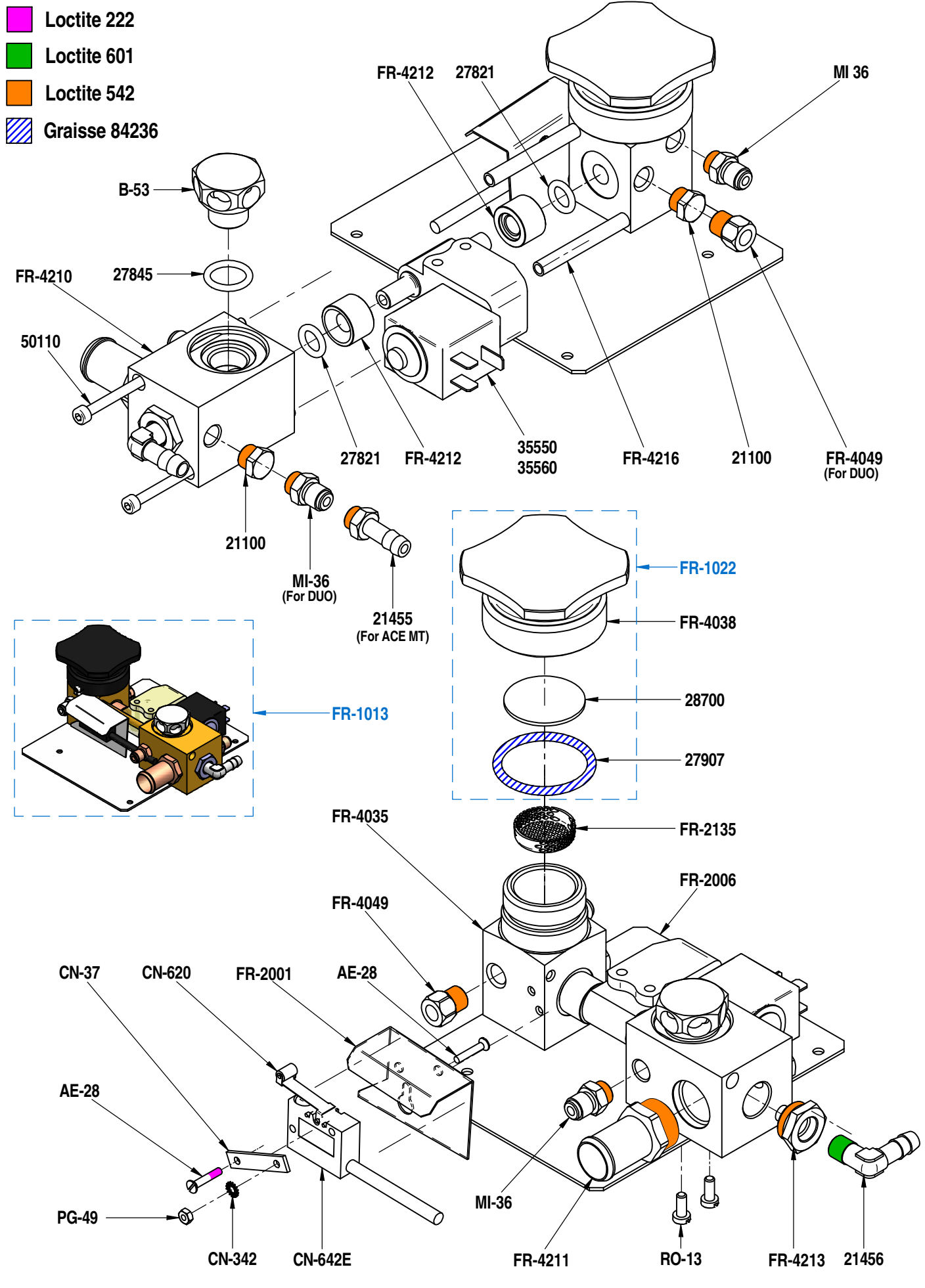


PLANCHE - PLATE 362

REF	DESIGNATIONS FR	DESIGNATIONS GB
20957	RACCORD DROIT 1/8G	<i>FITTING 1/8G</i>
23760	AXE BANJO 1/4	<i>BANJO SCREW 1/4</i>
23761	CORPS DE BANJO 1/4	<i>BANJO BODY 1/4</i>
26301	CLAPET ANTI-RETOUR 1/8	<i>NO RETURN VALVE 1/8</i>
27796	JOINT TORIQUE 1,78 X 12,42 NEXUS	<i>O RING 1.78 X 12,42</i>
35510	EV 2 VOIES 24V NSF	<i>ELECTROVALVE 2 WAYS 24V NSF</i>
CH-16	JOINT CUIVRE RECUIT 3/8	<i>WASHER - COPPER - 3/8</i>
CN-245R	ELECTROVANNE 2V 24V-50/60Hz	<i>ELECTROVALVE 2W 24V-50/60Hz</i>
CN-441A	RACCORD 1/4M-3/8M	<i>FITTING 1/4 3/8</i>
CN-651	ENTRETOISE COURTE DU C.I.	<i>SHORT SPACER FRAME</i>
FR-1626	BLOC NETTOYAGE CAFE SOLO	<i>CLEANING COFFEE BLOCK</i>
FR-6012	TUBE ALIMENTATION BLOC PASTILLE(S)	<i>CLEANING DEVICE FEEDING PIPE</i>
FR-6035	TUBE ALIM. EV NETTOYAGE GROUPE	<i>CLEANING EV FEEDING PIPE</i>
FR-6058	TUBE NETTOYAGE GROUPE CAFE	<i>COFFEE CLEANING PIPE</i>
MI-18	RACCORD MM 1/4 - 1/8 G	<i>FITTING - 1/8 x 1/4</i>
PE-59	VIS TCHC M4x10 INOX	<i>SCREW 4 X 10</i>
PG-15B	RONDELLE INOX 4.2X10X0.8	<i>WASHER</i>

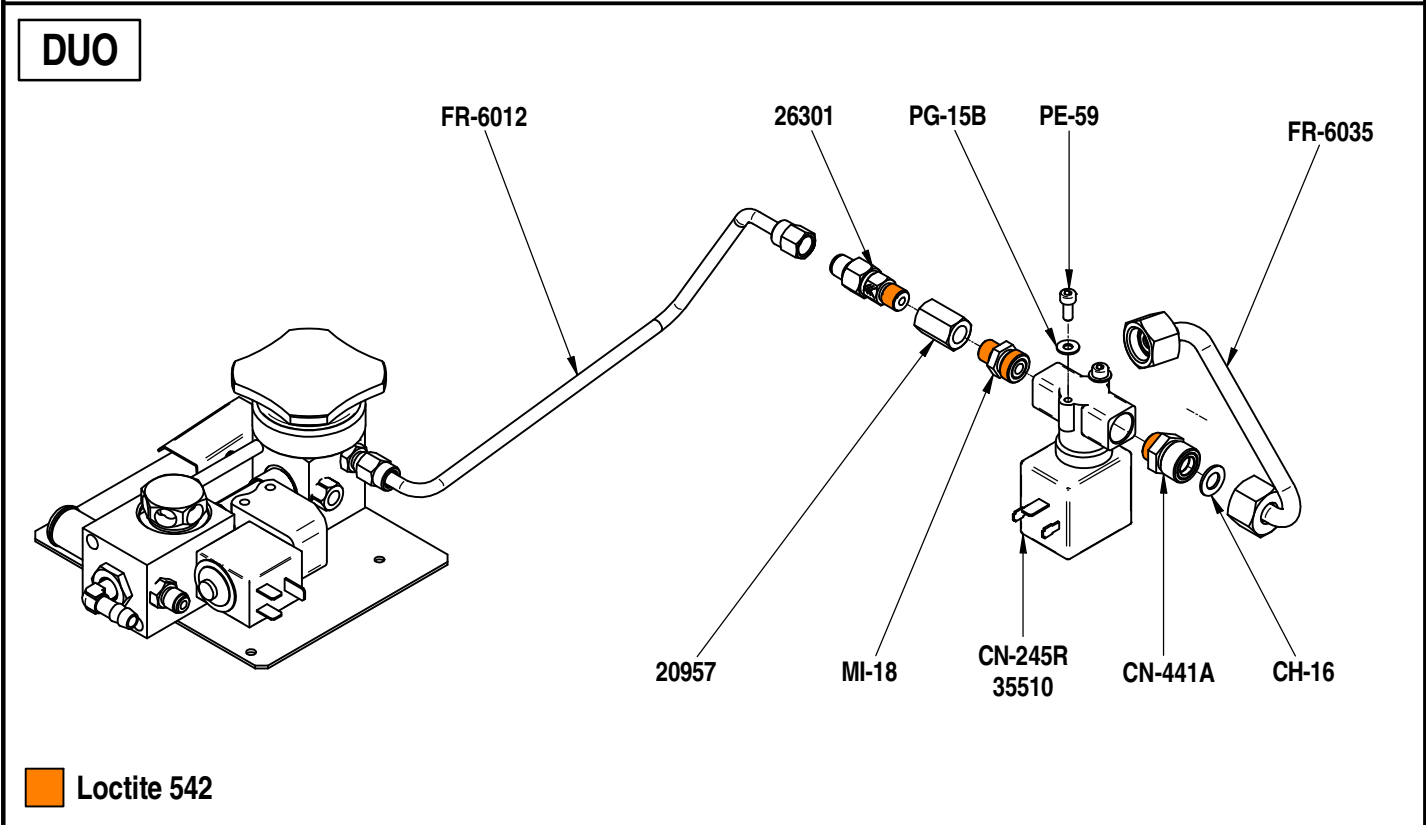
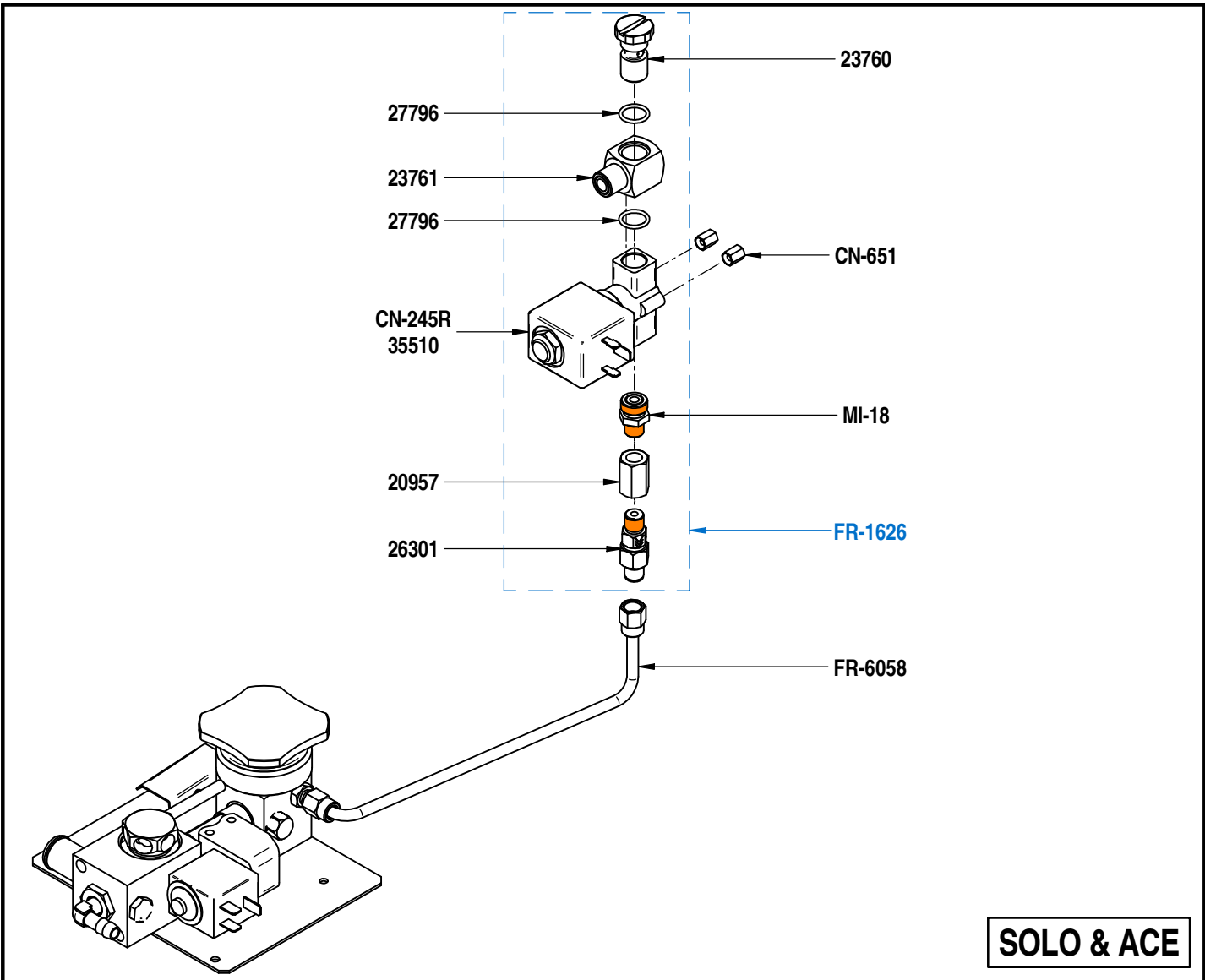


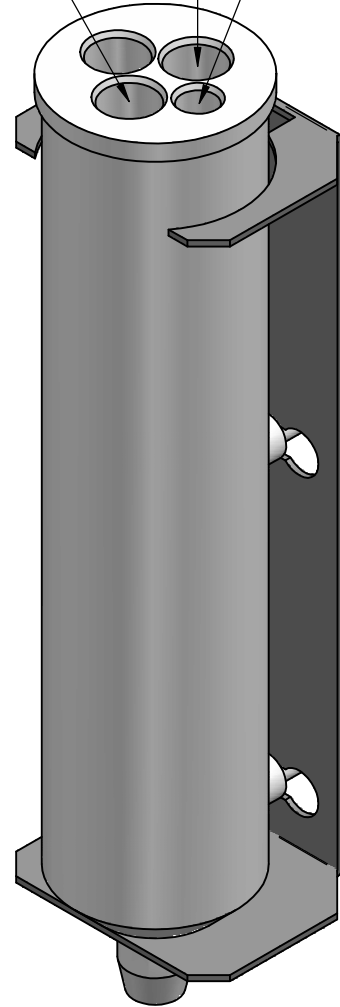
PLANCHE - PLATE 370

REF	DESIGNATIONS FR	DESIGNATIONS GB
12704	TUBE SILICONE 7X12	SILICONE PIPE 7X12
FR-4067	GOULOTTE EVACUATION	DRAIN CHUTE
FR-4088	BOUCHON DE GOULOTTE 4T	DRAIN CHUTE CAP 4 HOLES
PE-59	VIS TCHC M4x10 INOX	SCREW 4 X 10
TG-2018	SUPPORT GOULOTTE	DRAIN CHUTE HOLDER

Décompression EV sortie vapeur
Steam outlet EV discharge

Décompression Cappuccino / module lait
Cappuccino / milk module discharge

Soupape HP
HP valve

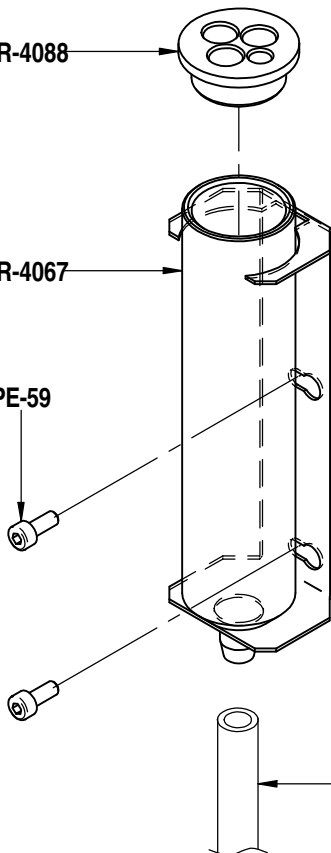


FR-4088

FR-4067

PE-59

TG-2018

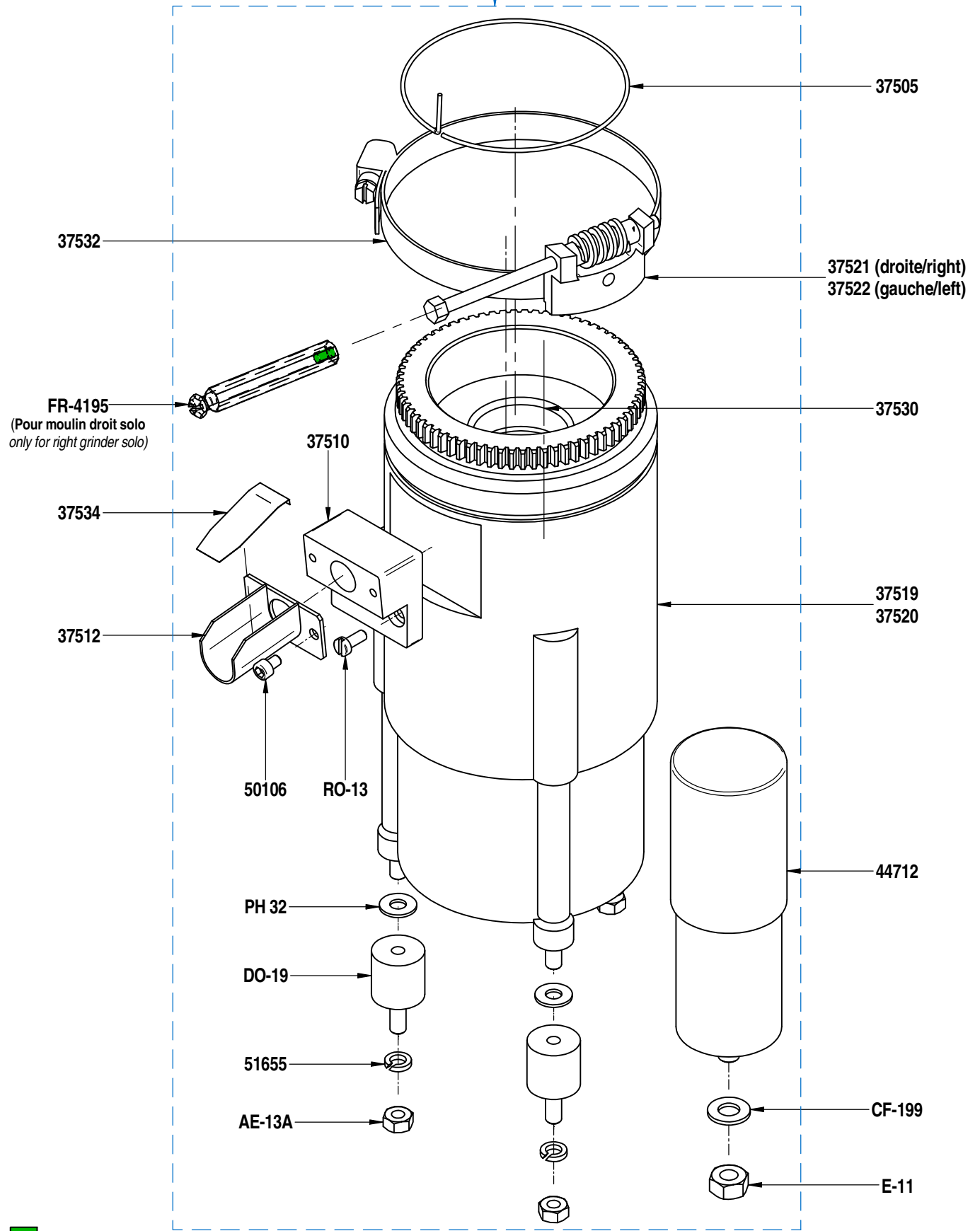


12704
Solo: 360 mm
Duo: 560 mm

PLANCHE - PLATE 400

REF	DESIGNATIONS FR	DESIGNATIONS GB
37505	RESSORT BUTEE DE REGLAGE	RING
37510	ENTRETOISE BEC MOULIN	SPACER
37512	BEX INOX	GRINDER SPOUT
37519	MOULIN INC. D.80 220-230/50-60Hz AC UL GAUCHE	GRINDER INC. D.80 220-230/50-60Hz AC UL LEFT
37520	MOULIN INC. D.80 220-230/50-60Hz AC UL DROIT	GRINDER INC. D.80 220-230/50-60Hz AC UL RIGHT
37521	VIS DE REGLAGE MEULES A DROITE	RIGHT ADJUSTING SCREW
37522	VIS DE REGLAGE MEULES A GAUCHE	LEFT ADJUSTING SCREW
37530	JEU DE MEULE	GRINDING WHEEL SET
37532	COLLIER DE SERRAGE	CLAMP
37534	LANGUETTE SORTIE BEC	LAMINATED SPRING
44712	CONDENSATEUR 16µF	CAPACITOR 16µF
50106	VIS TCHc M4 x 6	SCREW M4 X 6
51655	RONDELLE GROWER DE 6	WASHER 6
AE-13A	ECROU INOX Hu 6-100	NUT M6
CF-199	RONDELLE ACIER ZN 8x22x1,5	STEEL WASHER 8x22x1,5
DO-19	PLOT APB 20-20	SILENTBLOC
E-11	ECROU ACIER Hu de 8	NUT M8
FR-1020	ENSEMBLE MOULIN DROIT	RIGHT GRINDER ASSEMBLY
FR-1021	ENSEMBLE MOULIN GAUCHE	LEFT GRINDER ASSEMBLY
FR-4195	PROLONGATEUR REGLAGE MOULIN	GRINDER ADJUSTING EXTENSION
PH-32	RONDELLE ACIER Zn 6,25x14x1,2	WASHER
RO-13	VIS INOX TC 4 x 10	SCREW M4 X 10 -

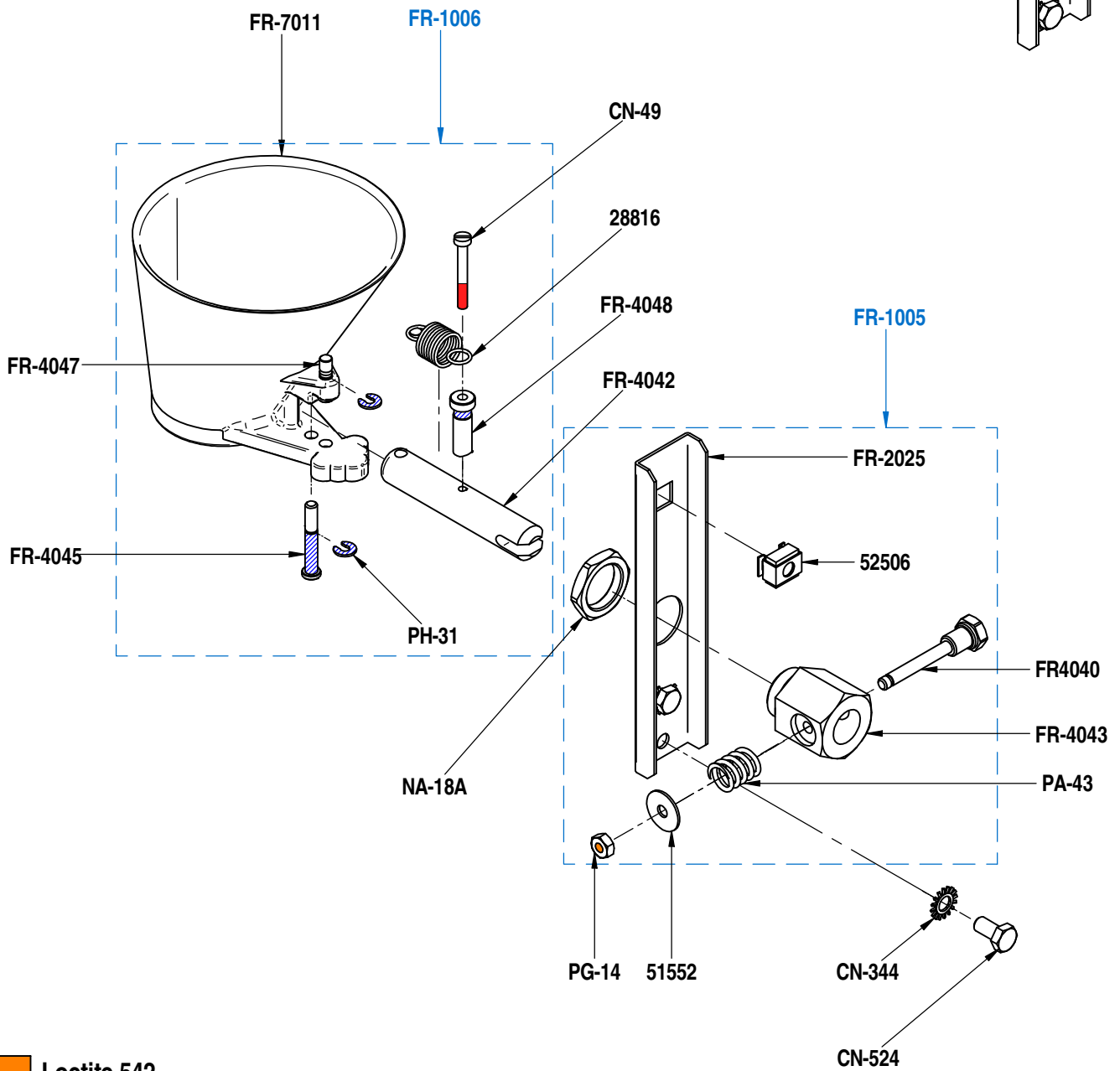
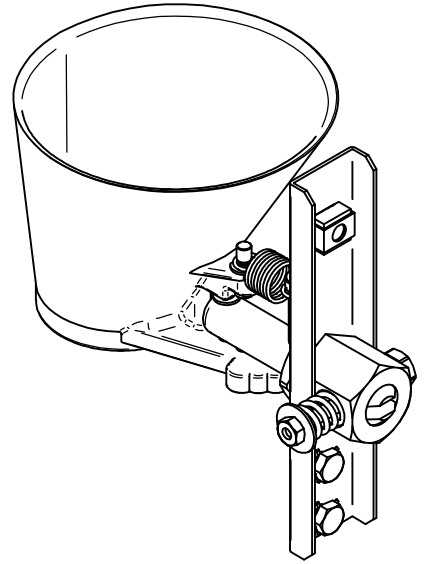
FR-1020
FR-1021



 Loctite 601

PLANCHE - PLATE 410

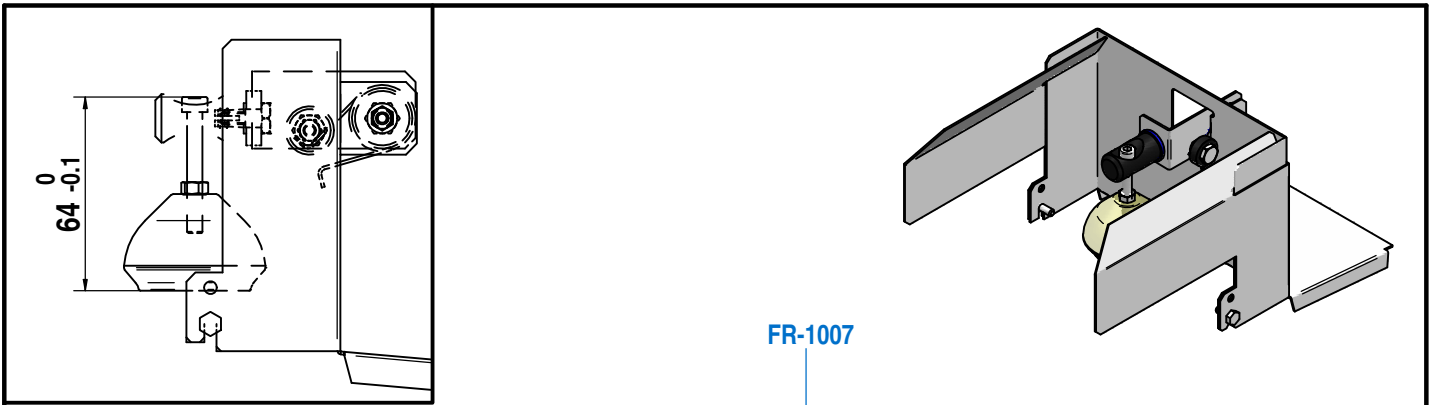
REF	DESIGNATIONS FR	DESIGNATIONS GB
28816	RESSORT ENTONNOIR	<i>FUNNEL SPRING</i>
51552	RONDELLE INOX 4.25x14x0.8	<i>S..STEEL WASHER 4.25x14x0.8</i>
52506	ECROU CAGE M6 X ep 1	<i>INSERT NUT M6</i>
CN-344	RONDELLE EVENTAIL DE 5	<i>LOCK WASHER 5</i>
CN-49	VIS TC M3X25	<i>SCREW M3 X 25</i>
CN-524	VIS INOX TH 5 x 10	<i>SCREW M5 X 10</i>
FR-1005	ENTONNOIR PARTIE FIXE	<i>FUNNEL FIXED KIT</i>
FR-1006	KIT ENTONNOIR PARTIE MOBILE	<i>FUNNEL MOBILE KIT</i>
FR-2025	TOLE SUPPORT ENTONNOIR	<i>FUNNEL HOLDER</i>
FR-4040	AXE DE VERROUILLAGE ENTONNOIR	<i>LOCKING ROD</i>
FR-4042	AXE ENTONNOIR	<i>HOLDER ROD</i>
FR-4043	CORPS SUPPORT ENTONNOIR	<i>FUNNEL HOLDER BODY</i>
FR-4045	AXE DE ROTATION ENTONNOIR	<i>ROTATING AXLE</i>
FR-4047	AXE MOBILE	<i>AXLE</i>
FR-4048	AXE FIXE	<i>AXLE</i>
FR-7011	ENTONNOIR	<i>FUNNEL</i>
NA-18A	ECROU LAITON 3/8 4 mm	<i>3/8 NUT</i>
PA-43	RESSORT F15/10 L14,5 D10,5 P3	<i>SPRING</i>
PG-14	ECROU M4	<i>NUT M4</i>
PH-31	ANNEAU TRUARC	<i>TRUARC RING</i>



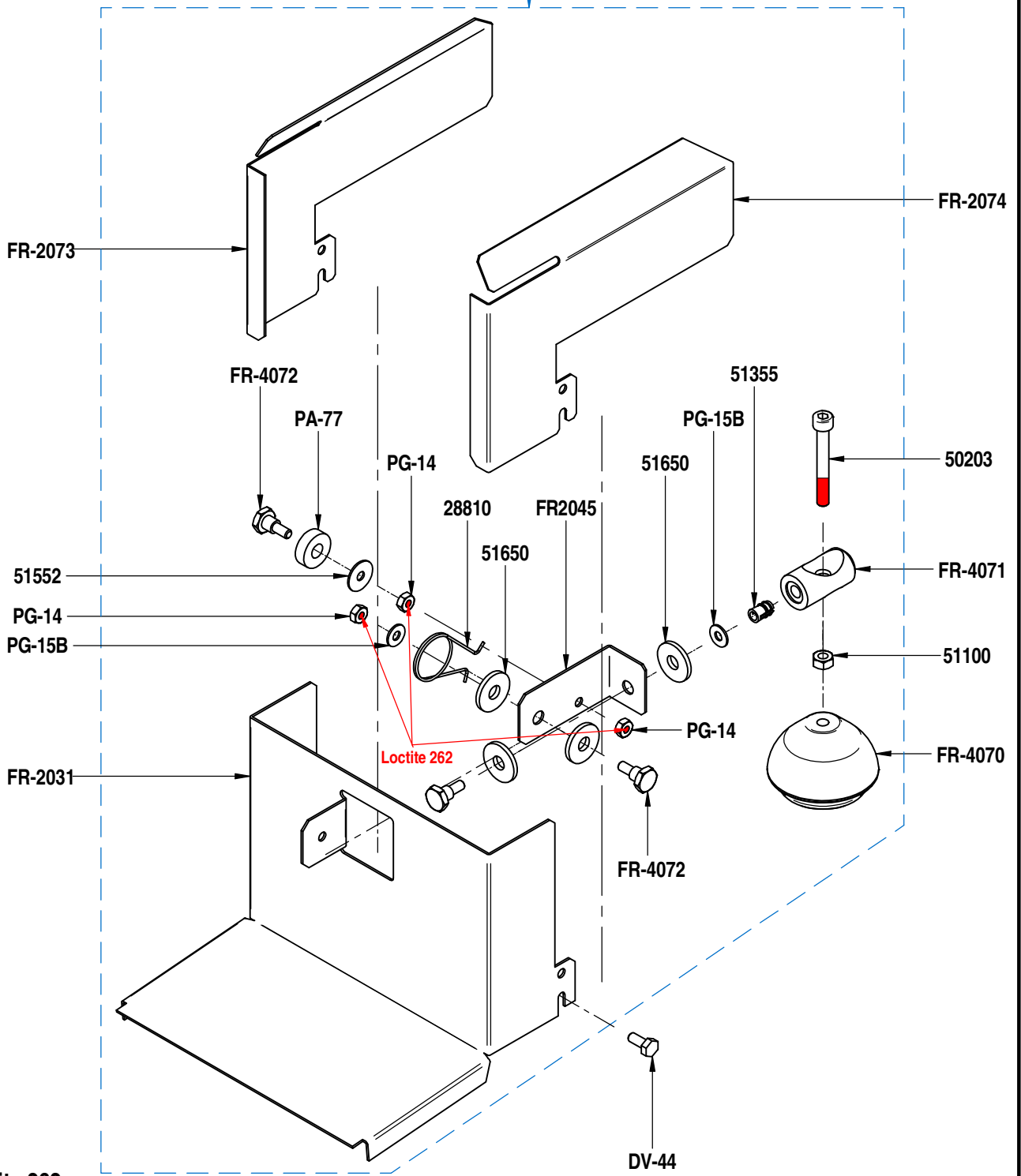
- Loctite 542
- Loctite 262
- Graisse 84236

PLANCHE - PLATE 415

REF	DESIGNATIONS FR	DESIGNATIONS GB
28810	RESSORT NETTOYEUR	SPRING
50203	VIS CHC M5 X 45 INOX	SCREW M5 X 40
51100	ECROU M5 INOX	NUT M5
51355	INSERT M4D LAITON L:9.5	INSERT M4
51552	RONDELLE INOX 4.25x14x0.8	S..STEEL WASHER 4.25x14x0.8
51650	RONDELLE 6 6.4x18x2 NYLON	WASHER DIAM. 6 NYLON
DV-44	VIS TH M4X10 ACIER	SCREW M4x10
FR-1007	ENSEMBLE BALANCIER	PENDULUM KIT
FR-2031	TOLE SUPPORT BALANCIER	CLEANING BALL HOLDER
FR-2045	EQUERRE SUPPORT NETTOYEUR	RIGHT ANGLE BRACKET
FR-2073	TOLE ANTIPLASH GAUCHE	ANTI SPLASH PLATE LEFT
FR-2074	TOLE ANTIPLASH DROITE	ANTI SPLASH PLATE RIGHT
FR-4070	BOULE NETTOYEUR	CLEANING BALL
FR-4071	AXE SUPPORT BOULE NETTOYEUR	CLEANING BALL AXLE
FR-4072	VIS EPAULEE M4	SCREW M4
PA-77	JOINT 6,5 x 16 x 5	GASKET 6,5 X 16 X 5
PG-14	ECROU M4	NUT M4
PG-15B	RONDELLE INOX 4.2X10X0.8	WASHER



FR-1007



 Loctite 262

PLANCHE - PLATE 420

REF	DESIGNATIONS FR	DESIGNATIONS GB
23117	GICLEUR DIAM:0,7	JET DIAM. 0.7
23751	AXE DE BANJO 1/8	BANJO SCREW
23772	CORPS DE BANJO GROUPE 1/4	BANJO BODY 1/4 FOR UNIT
23773	SUPPORT GICLEUR	JET HOLDER
25400	FILTRE INOX	FILTER
27910	JOINT TORIQUE 3.53 X 53.37 VITON	GASKET
28104	JOINT TORIQUE 2X9,5 FKM 80SH	GASKET 2X9,5
28502	BUTEE PLATEAU	BASE DIA: 12
28503	JOINT PLATEAU COMPLET	GASKET UNIT
29831	CARTOUCHE CHAUFFANTE 200W-230V	HEATING ELEMENT 200W-230V
34210	SECURITE THERMIQUE température 115°C	SAFETY THERMOSTAT 115°C
34410	SONDE THERMOSTATIQUE	THERMOSTATIC PROBE
35025	EV 3 VOIES 24V D1.2	EV 3 WAYS 24V D1.2
36500	CAPTEUR A FOURCHE EFFET HALL	FORK SENSOR
50000	VIS TCHC M3 X 10	SCREW M3 X 10
50702	VIS TOLE TC INOX N°6 X 6.4	SCREW
51300	ECROU M12 X 125	NUT M12 X 125
51800	RONDELLE 12 X 24 X 2 INOX	WASHER 12
52615	COUSSINET XFM-1517-17	BEARING XFM 1517-15
52620	PALIER LISSE XSM 1517-15	BEARING XSM 1517-15
53117	BUTEE A BILLE 51102 d28xd15x9	THRUST BALL BEARING 28X15X16
C-48	VIS TCHC M8X16 INOX	SCREW M8 X 16
CF-194	RONDELLE LAITON DE 5 MOYENNE	WASHER
CF-335A	VIS INOX STHC 8 X 25	SCREW M8x25 STAINLESS STEEL
CH-16	JOINT CUIVRE RECUIT 3/8	WASHER - COPPER - 3/8
CN-108	RONDELLE LAITON Z3	WASHER
CN-325	VIS INOX TC 4 x 6	SCREW M4 X 6
CN-342	RONDELLE EVENTAIL 3	WASHER 3
CN-343	RONDELLE EVENTAIL 4	WASHER 4
DO-74	RACCORD SOUPAPE HP	H.P VALVE CONNECTION
DV-44	VIS TH M4X10 ACIER	SCREW M4x10
E-11	ECROU ACIER Hu de 8	NUT M8
FR-1008	ELECTROVANNE CAFE	COFFEE ELECTROVALVE
FR-2021	TOLE ENTRETOISE 2 mm	PLATE
FR-2033	TOLE SUPPORT CAPTEUR PLATEAU	SENSOR HOLDER
FR-2034	DEFLECTEUR EJECTION	EJECTION PLATE
FR-2082	TOLE POSITION PLATEAU LARGE	WIDE TURNABLE TOP PLATE
FR-4000	CORPS DE GROUPE	UNIT BODY
FR-4002	PLATEAU INOX	STAINLESS STEEL TURNTABLE
FR-4012	ECROU A TETONS	BREAST NUT
FR-4013	BAGUE DE BLOCAGE	BLOCKING RING
FR-4019	PROTECTION BUTEE A BILLE	BEARING COVER
FR-4029	ENTRETOISE M8	SCREW M8
FR-4030	VIS TH M8 X 20 L 180	SCREW M8 X 20 L:180
FR-4092	JOINT OBTURAPTEUR PISTON	GASKET
FR-7000	PLATEAU PLASTIQUE	PLASTIC TURNTABLE
PB-21	ECROU 3/8 LAITON	FITTING 3/8
PG-13	VIS TC M3x10	SCREW M3 X 10
PG-15B	RONDELLE INOX 4.2X10X0.8	WASHER
PG-49	ECROU INOX Hu DE 3	NUT M3
PH-77	JOINT TORIQUE 18.72 x 2.62	O-RING 18.72 X 2,62
R-100	RACCORD LAITON	FITTING
R-100A	RACCORD LAITON SP	FITTING SP
RR-83	RONDELLE GROVER DE 8	WASHER 8
TC-80	JOINT TORIQUE 1,78X2,90 FKM	GASKET 1.78X2.90 FKM

PLANCHE - PLATE 421

REF	DESIGNATIONS FR	DESIGNATIONS GB
28502	BUTEE PLATEAU	BASE DIA: 12
28503	JOINT PLATEAU COMPLET	GASKET UNIT
29831	CARTOUCHE CHAUFFANTE 200W-230V	HEATING ELEMENT 200W-230V
34210	SECURITE THERMIQUE température 115°C	SAFETY THERMOSTAT 115°C
34410	SONDE THERMOSTATIQUE	THERMOSTATIC PROBE
50000	VIS TCHC M3 X 10	SCREW M3 X 10
50702	VIS TOLE TC INOX N°6 X 6.4	SCREW
51300	ECROU M12 X 125	NUT M12 X 125
51800	RONDELLE 12 X 24 X 2 INOX	WASHER 12
52615	COUSSINET XFM-1517-17	BEARING XFM 1517-15
52620	PALIER LISSE XSM 1517-15	BEARING XSM 1517-15
53117	BUTEE A BILLE 51102 d28xd15x9	THRUST BALL BEARING 28X15X16
C-48	VIS TCHC M8X16 INOX	SCREW M8 X 16
CF-194	RONDELLE LAITON DE 5 MOYENNE	WASHER
CF-335A	VIS INOX STHC 8 X 25	SCREW M8x25 STAINLESS STEEL
CN-325	VIS INOX TC 4 x 6	SCREW M4 X 6
CN-343	RONDELLE EVENTAIL 4	WASHER 4
DV-44	VIS TH M4X10 ACIER	SCREW M4x10
E-11	ECROU ACIER Hu de 8	NUT M8
FR-1008	ELECTROVANNE CAFE	COFFEE ELECTROVALVE
FR-2021	TOLE ENTRETOISE 2 mm	PLATE
FR-2034	DEFLECTEUR EJECTION	EJECTION PLATE
FR-2082	TOLE POSITION PLATEAU LARGE	WIDE TURNABLE TOP PLATE
FR-4000	CORPS DE GROUPE	UNIT BODY
FR-4002	PLATEAU INOX	STAINLESS STEEL TURNTABLE
FR-4012	ECROU A TETONS	BREAST NUT
FR-4013	BAGUE DE BLOCAGE	BLOCKING RING
FR-4019	PROTECTION BUTEE A BILLE	BEARING COVER
FR-4029	ENTRETOISE M8	SCREW M8
FR-4030	VIS TH M8 X 20 L 180	SCREW M8 X 20 L:180
FR-7000	PLATEAU PLASTIQUE	PLASTIC TURNTABLE
PG-15B	RONDELLE INOX 4.2X10X0.8	WASHER
PH-77	JOINT TORIQUE 18.72 x 2.62	O-RING 18.72 X 2,62
RR-83	RONDELLE GROVER DE 8	WASHER 8

- Loctite 222
- Loctite 262
- Graisse 84236
- Graisse 84230

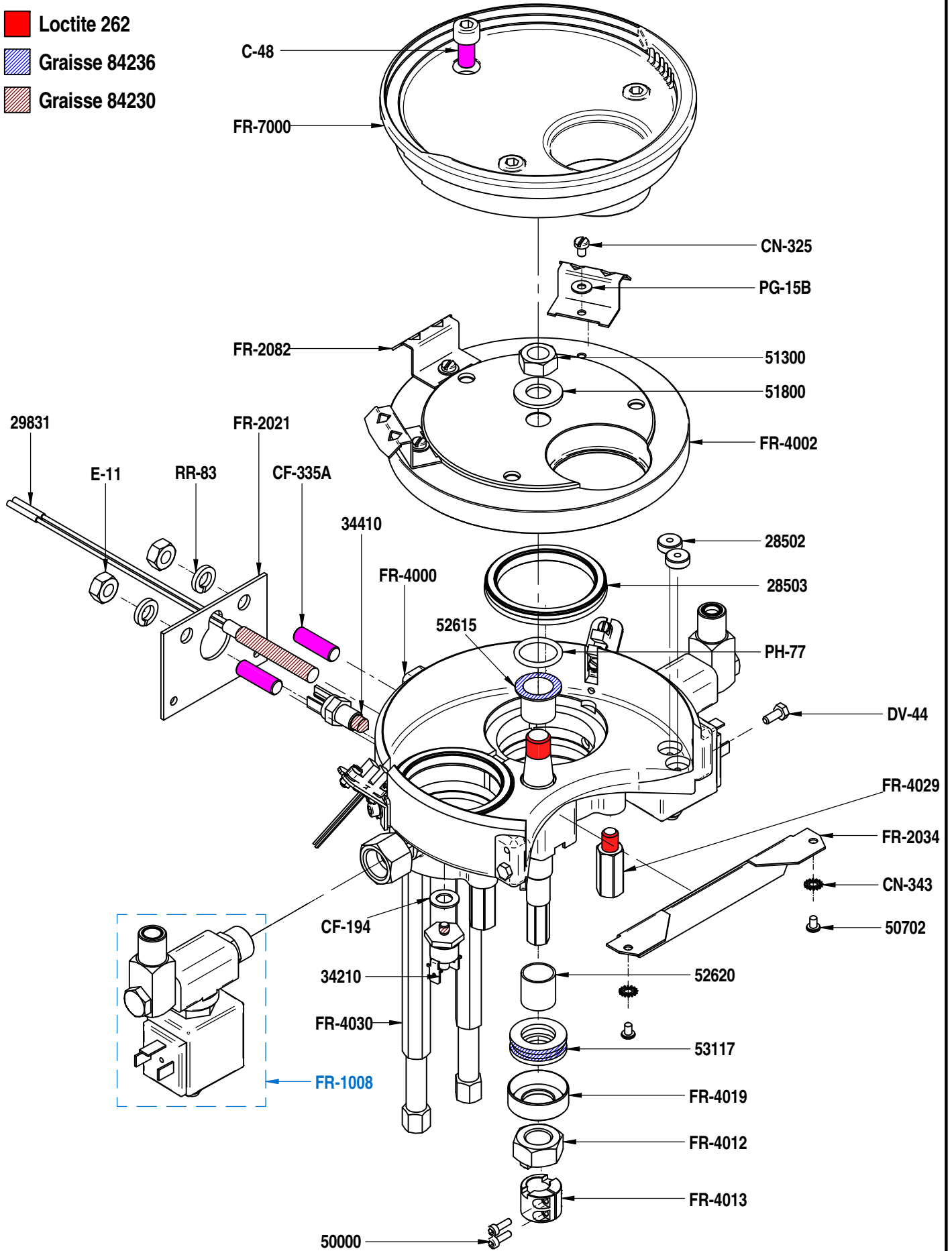


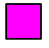





PLANCHE - PLATE 425

REF	DESIGNATIONS FR	DESIGNATIONS GB
27820	JOINT TORIQUE 2,62 X 47,29 EPDM	GASKET 2.62 X 47.29 EPDM
28500	JOINT A LEVRE PISTON Ø37.5	GASKET Ø 37.5
28510	JOINT PLAT DE SORTIE CAFE	FLAT GASKET
28820	RESSORT ACIER d19.20 X L40 Df:3.2	SPRING Do:19.20 X df:3.2 Lo:40
33419	FILTRE CAFE 24 - 180 STANDARD	COFFEE FILTER 24 -180 STANDARD
33447	FILTRE CAFE 1 TASSE 24 FENTES SELF	COFFEE FILTER 1 CUP 24 SLOTS SELF
33448	FILTRE CAFE 48 FENTES EXPORT	COFFEE FILTER 48 SLOTS EXPORT
36501	CAPTEUR Ø16	SENSOR Ø16
37305	MOTOREDUCTEUR 24V 500tr/mn	MOTOREDUCER 24V 500 rpm
51250	ECROU M10 X 75	NUT M10 X 75
51751	RONDELLE 10.2 X 20 X 2	WASHER 10
51800	RONDELLE 12 X 24 X 2 INOX	WASHER 12
52610	COUSSINET XFM 10-12-9	BEARING 10-12-9
52812	ANNEAU DIAM 12 EP 0,6	RING DIAM 12 EP 0,6
53110	BUTEE A BILLE 51100 d24xd10x9	THRUST BALL BEARING 24X10X9
CN-128	VIS INOX TF M4 X 8	SCREW M4 X 8
CN-30	VIS INOX TC 3 x 16	SCREW M3 X 16
CN-306	VIS INOX TCHC 3 x 8	SCREW M3 X 8
CN-489	VIS INOX CHC 4 x 16	SCREW M4 X 16
CN-825	COLLIER ACCOUPLED.MOTEUR POMPE	COLLAR OF PUMP MOTOR GANGING
DO-54	AIMANT DIAM 3 L:10mm	MAGNET DIA:3 L:10mm
FR-1010	ENSEMBLE PISTON SANS MOTEUR	PISTON ASSEMBLY WITHOUT MOTOR
FR-1011	ENSEMBLE MOTEUR PISTON	PISTON MOTOR ASSEMBLY
FR-2028	TOLE BRIDE	SENSOR HOLDER
FR-2030	ROUE CODEUSE ACIER ZINGUE	CODING WHEEL
FR-4017	ENTRETOISE DE CLAVETTE	COTTER SPACER
FR-4018	CLAVETTE AUTOLUBRIFIANTE	SELF-LUBRICATING COTTER
FR-4020	SUPPORT MOTEUR	MOTOR HOLDER
FR-4021	CHEMISE	INFUSION CHAMBER
FR-4023	AXE DU PISTON	PISTON AXLE
FR-4025	SORTIE CAFE	COFFEE OUTLET SCREW
FR-4027	ECROU Tr 12 X 3	NUT TR 12 X 3
FR-4028	COLERETTE DE FIXATION	PLASTING RING
FR-4031	BUTEE PLASTIQUE	THRUST
FR-4032	VIS TETON M8 X 100	SCREW M8 X 100
FR-4122	PISTON	PISTON
FR-4123	RONDELLE SUPPORT JOINT	WASHER HOLDER GASKET
FR-4124	RONDELLE SORTIE CAFE	COFFEE OUTLET RING
FR-4126	PIECE SUPERIEURE	UPPER PART
FR-4127	JOINT HARICOT	FLAT SEAL
FR-4134	BAGUE PTFE	RING PTFE
FR-6520	TUBE CAFE lg 238 mm	COFFEE PIPE length 238 mm
PE-66	VIS TC M5 X 16 INOX	SCREW M5 X 16
TC-80	JOINT TORIQUE 1,78X2,90 FKM	GASKET 1.78X2.90 FKM

-  Graisse 84236
-  Graisse 8104
-  Loctite 222
-  Loctite 262
-  Loctite 542
-  Loctite 5366

FR-1919 (Piston Kit)

PM Parts

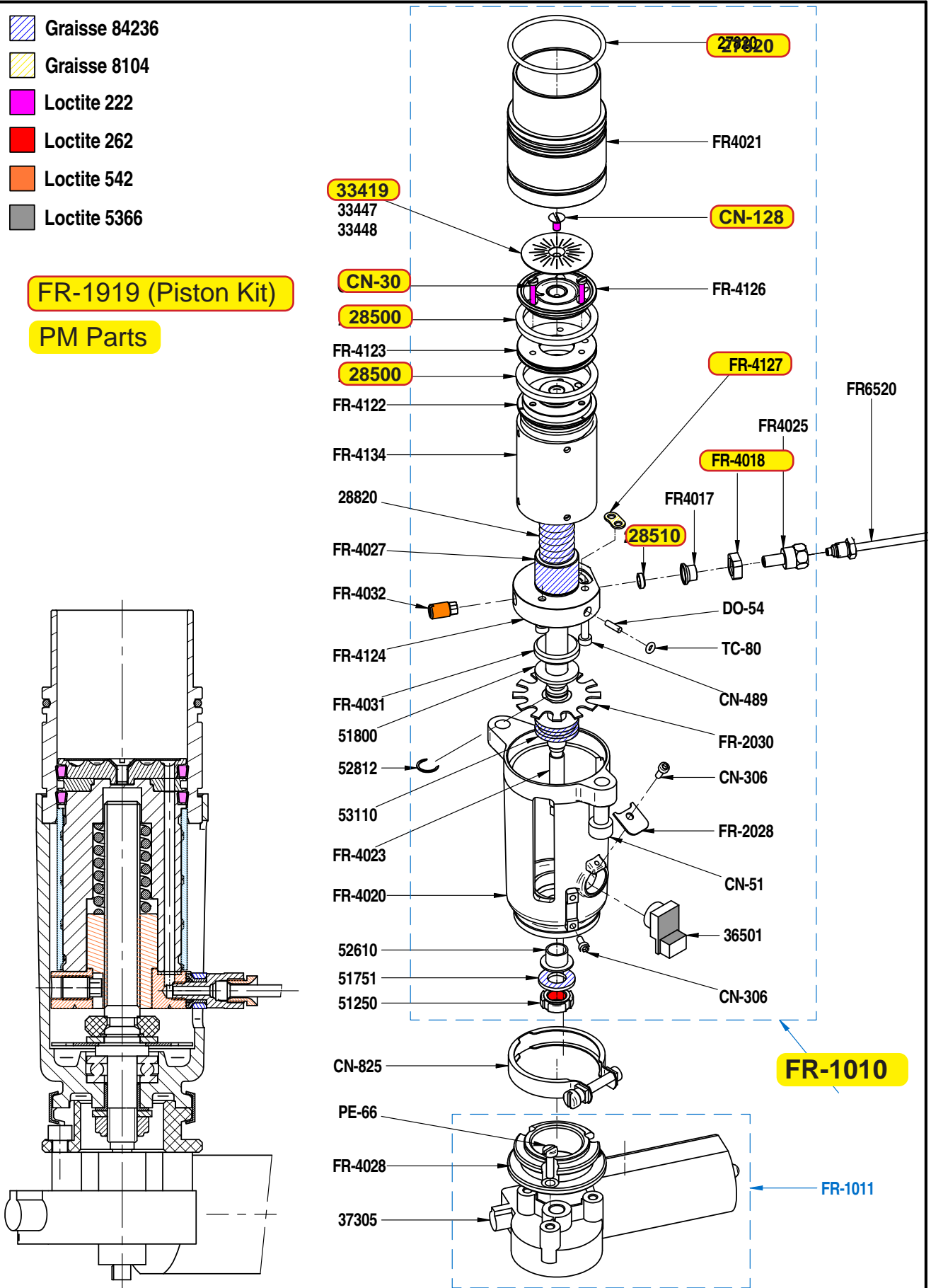
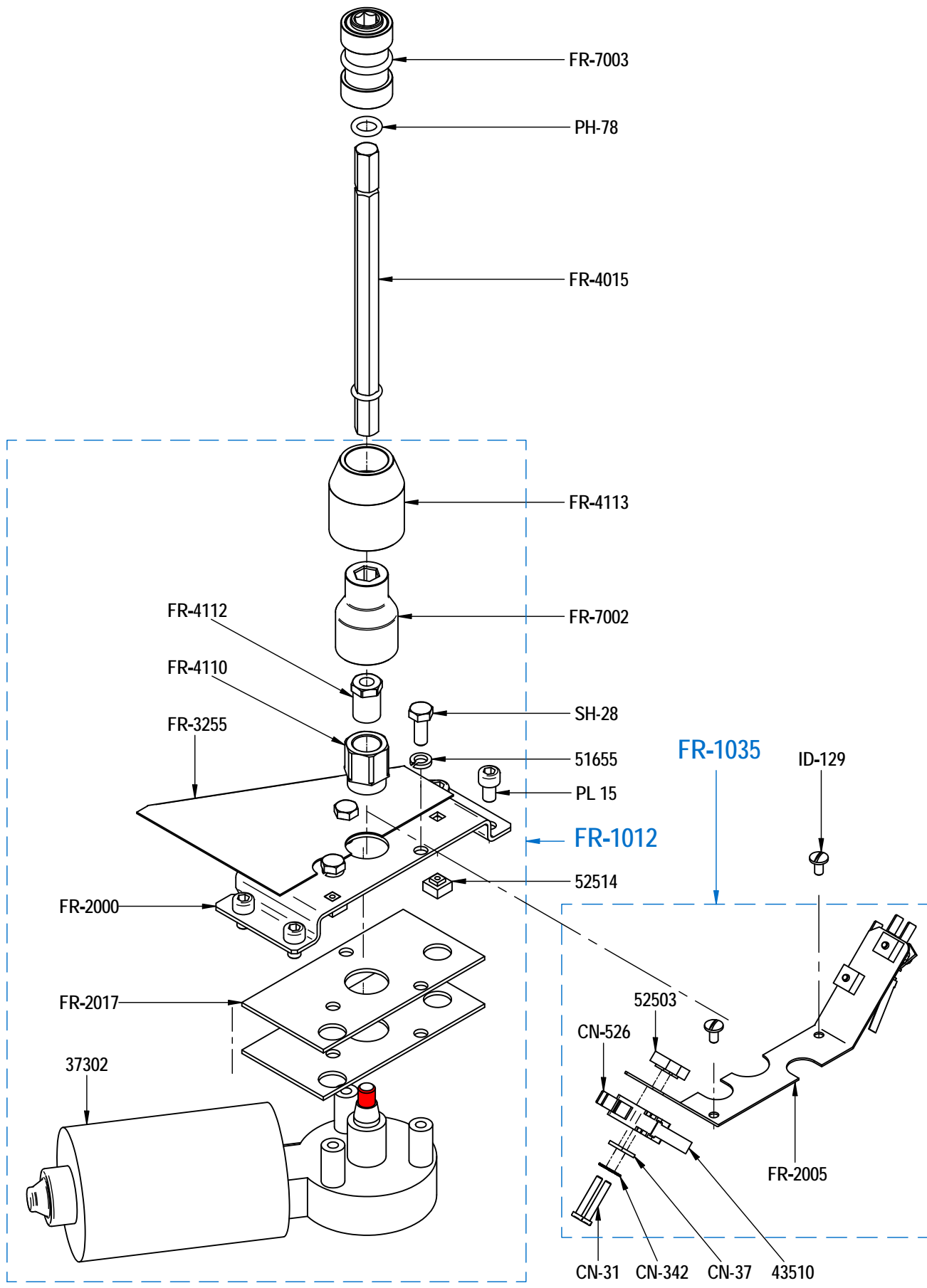


PLANCHE - PLATE 430

REF	DESIGNATIONS FR	DESIGNATIONS GB
37302	MOTOREDUCTEUR MFD351 (avec câbles)	<i>MOTOREDUCER 24V MFD351 (with wires)</i>
43510	LEVIER PLAT MICRORUPTEUR	<i>LEVER FOR MICROSWITCH</i>
51655	RONDELLE GROWER DE 6	<i>WASHER 6</i>
52503	ECROU EN CAGE M3 pour ep 1	<i>NUT M3</i>
52514	ECROU RAPIDE M4 EP:2	<i>NUT M4</i>
CN-31	VIS TC M3 X 20 INOX	<i>SCREW M3 X 20</i>
CN-342	RONDELLE EVENTAIL 3	<i>WASHER 3</i>
CN-37	PATTE INOX FIXATION MINIRUPT.	<i>MICROSWITCH HOLDING BAR</i>
CN-526	MINIRUPTEUR SECU EAU MARRON	<i>WATER SAFETY MINI SWITCH</i>
FR-1012	ENSEMBLE MOTEUR PLATEAU	<i>TURNTABLE MOTOR ASSEMBLY</i>
FR-1035	SECURITE BAC A MARC	<i>DRAWER SAFETY</i>
FR-2000	TOLE SUPPORT MOTEUR	<i>MOTOR HOLDER</i>
FR-2005	SUPPORT SECURITE BAC A MARC	<i>DRAWER SAFETY HOLDER</i>
FR-2017	TOLE ENTRETOISE MOTEUR MFD351	<i>STIFFENER SHEETMETAL</i>
FR-3255	TOLE PROTECTION MOTEUR	<i>MOTOR PROTECTION</i>
FR-4015	AXE DE TRANSMISSION APRES 04/02	<i>AXLE AFTER 04/2002</i>
FR-4110	ACCOUPEMENT MOTEUR MFD351	<i>MOTOREDUCER GANGING</i>
FR-4112	ECROU ACCOUPLEMENT MOTEUR	<i>MOTOREDUCER GANGING NUT</i>
FR-4113	RENFORT ALU ACCOUPLEMENT	<i>REINFORCE COUPLING STAINLESS</i>
FR-7002	DOUILLE POUR MOTEUR MFD351	<i>MOTOREDUCER RING</i>
FR-7003	DOUILLE ACCOUPLEMENT RENFORCEE	<i>REINFORCING GANGING COUPLING</i>
ID-129	VIS INOX POELIER VM 4 X 8	<i>SCREW 4 X 8</i>
PH-78	JOINT TORIQUE 2,62X9,13 EPDM	<i>O RING - 9,13 X 2,62</i>
PL-15	VIS TCHC M6x10 INOX	<i>SCREW M6 X 10</i>
SH-28	VIS TH M6 X 16	<i>SCREW M6 X 16</i>




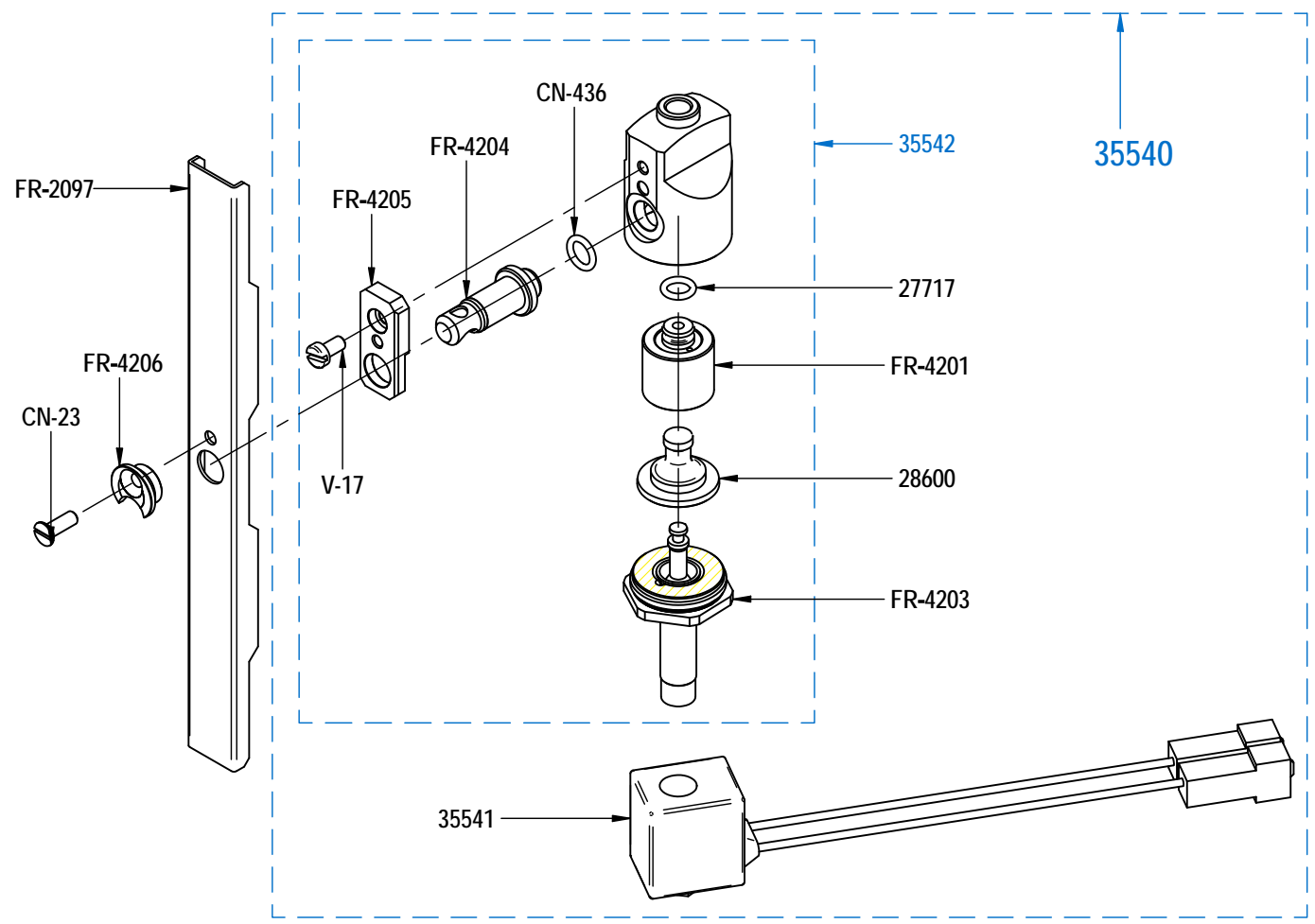
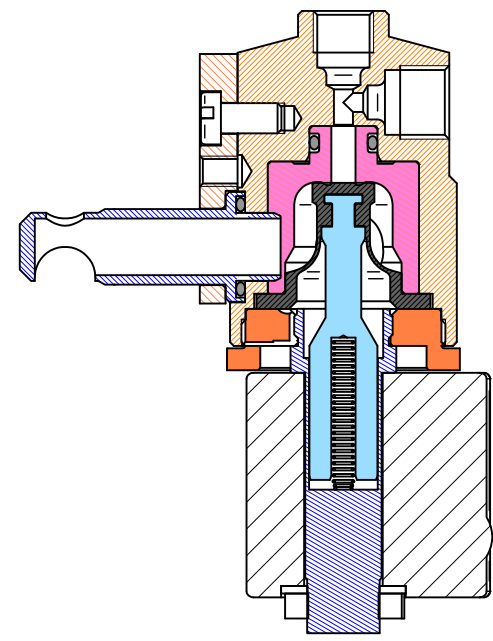
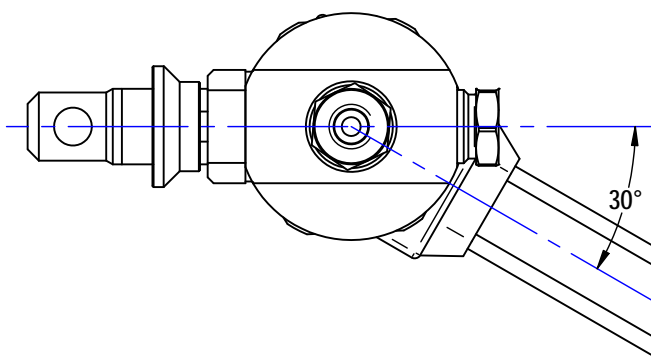
 Loctite 262

PLANCHE - PLATE 435

REF	DESIGNATIONS FR	DESIGNATIONS GB
27717	JOINT TORIQUE 1,78 X 6,07	GASKET 1.78 X 6.07
28600	MEMBRANE POUR ELECTROVANNE	MEMBRANE FOR ELECTROVALVE
35540	ELECTROVANNE DE BEC	SPOUT ELECTROVALVE
35541	BOBINE 5W AVEC FILS SURMOULES	COILE 5W WITH COMPOUND-FILLED WIRES
35542	ELECTROVANNE DE BEC SANS BOBINE	SPOUT ELECTROVALVE WITHOUT COIL
CN-23	VIS INOX TF 4 x 12	SCREW M4X12 CSH
CN-436	JOINT TORIQUE 1,78X8,73 EPDM	GASKET 8,73 X 1,78
FR-2097	TOLE EN U	U SHEET
FR-4201	SIEGE ELECTROVANNE	ELECTROVALVE SEAT
FR-4203	FLASQUE ELECTROVANNE	ELECTROVALVE FLANGE
FR-4206	COULISSE ELECTROVANNE DE BEC	SOLENOID SLIDE
FR-4204	CONDUIT	CONDUIT
FR-4205	ENTRETOISE DE FIXATION	FIXING SPACER
V-17	VIS INOX TC 4 x 8	SCREW M4 X 8



 Graisse 8104

PLANCHE - PLATE 500

REF	DESIGNATIONS FR	DESIGNATIONS GB
34202	THERMOSTAT SECURITE 160C TRI UL	<i>THERMOSTAT 160C UL</i>
41422	FLASQUE D'EXTREMITE	<i>FLANGE TERMINAL BLOCK</i>
42400	ENTRETOISE PLASTIQUE FIX CARTE	<i>PLASTIC PCB SUPPORT</i>
43800	CONTACTEUR TETRA. 220V 25A 50HZ	<i>CONTACTOR 220V 25A 50Hz</i>
43801	CONTACTEUR TETRA. 200V 60HZ	<i>CONTACTOR 200V 60HZ</i>
44708	Clé USB vierge	<i>USB key</i>
44709	Clé USB programmée	<i>Programmed USB key</i>
44714	PRISE USB	<i>USB JACK</i>
45380	CARTE ELECTRONIQUE MERE	<i>ELECTRONIC MAINBOARD</i>
45381	CARTE CPU	<i>CPU CARD</i>
45382	CARTE DRIVER EV	<i>ELECTROVALVE DRIVER CARD</i>
45383	CARTE MODULE MT	<i>MODULE CARD MT</i>
45384	CARTE MODULE 2EME PISTON	<i>MODULE CARD 2ND PISTON</i>
45943	ETIQUETTE BORNIER TANGO ST	<i>TERMINAL STICKER TANGO ST</i>
50130	COLONNETTE M-F M4X20	<i>SPACER M-F M4X20</i>
51053	ECROU LONG M4	<i>LONG NUT M4</i>
53402	BOUCHON PRISE USB	<i>CAP FOR USB A JACK</i>
AE-50	BORNIER GM GRIS	<i>TERMINAL BLOCK GREY</i>
AE-51	BORNIER GM BLEU	<i>TERMINAL BLOCK BLUE</i>
CN-124	VIS INOX TF 4 x 20	<i>SCREW M4 X 20</i>
CN-343	RONDELLE EVENTAIL 4	<i>WASHER 4</i>
CN-628	BARETTE DE JONCTION 2 PLOTS	<i>2 STUDS STRIP</i>
CN-630	BARETTE DE JONCTION 3 PLOTS	<i>3 STUDS STRIP</i>
CN-651	ENTRETOISE COURTE DU C.I.	<i>SHORT SPACER FRAME</i>
CN-661	ECROU CAGE M4, EP 1/1.6	<i>INSERT NUT M4</i>
DO-195	VIS ACIER INOX TC 4 X 12	<i>SCREW M4 X 12</i>
ED-133	PRESSE ETOUPE NOIR	<i>PACKING GLAND</i>
ED-134	CONTRE ECROU DE PRESSE ETOUPE	<i>PACKING GLAND NUT</i>
ID-129	VIS INOX POELIER VM 4 X 8	<i>SCREW 4 X 8</i>
PE-59	VIS TCHC M4x10 INOX	<i>SCREW 4 X 10</i>
PG-14	ECROU M4	<i>NUT M4</i>
TG-2051	SUPPORT CARTE ELECTRONIQUE	<i>ELECTRONIC BOARD HOLDER</i>
TG-2061	SUPPORT BORNIER	<i>TERMINAL BLOCK HOLDER</i>

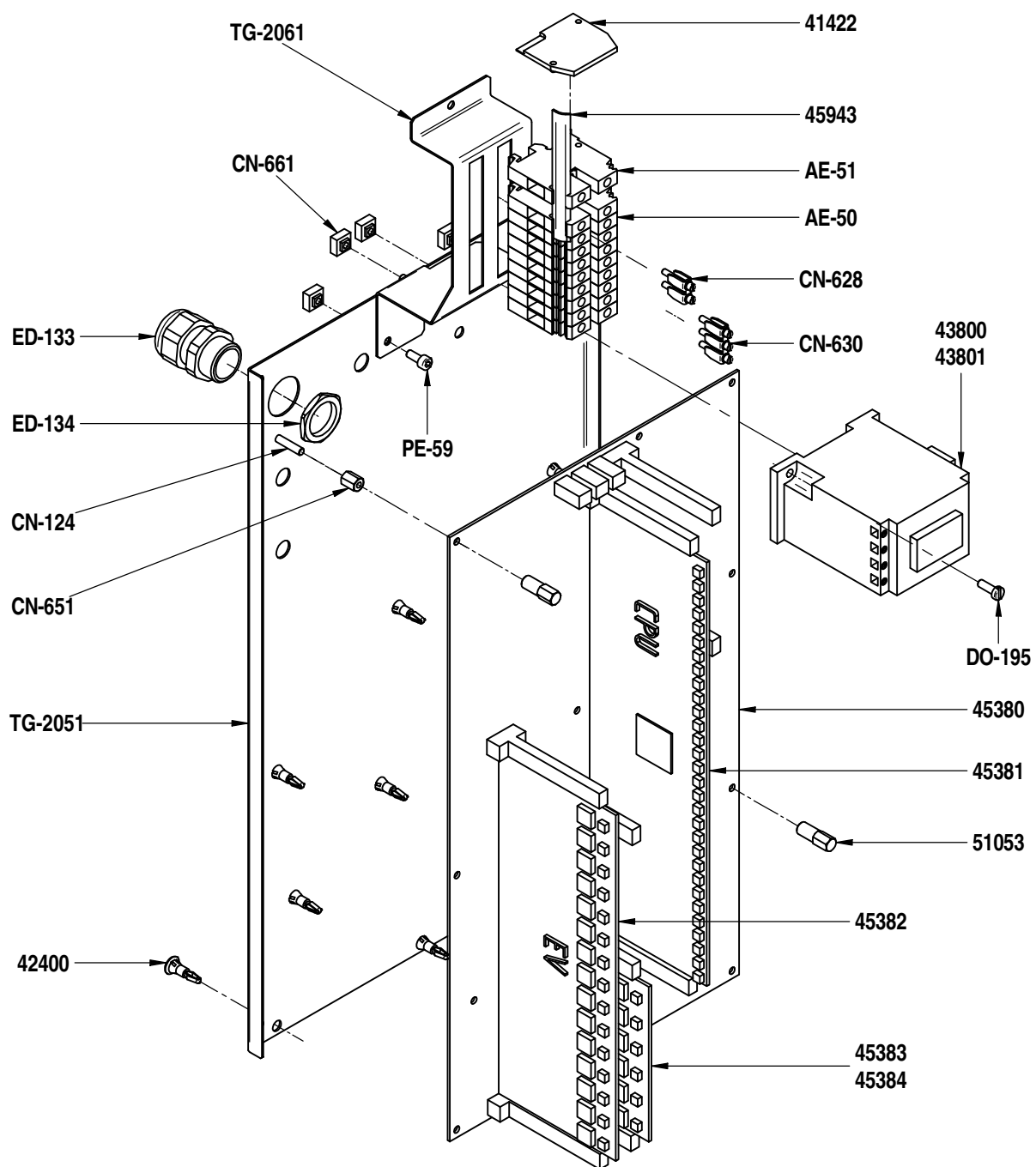
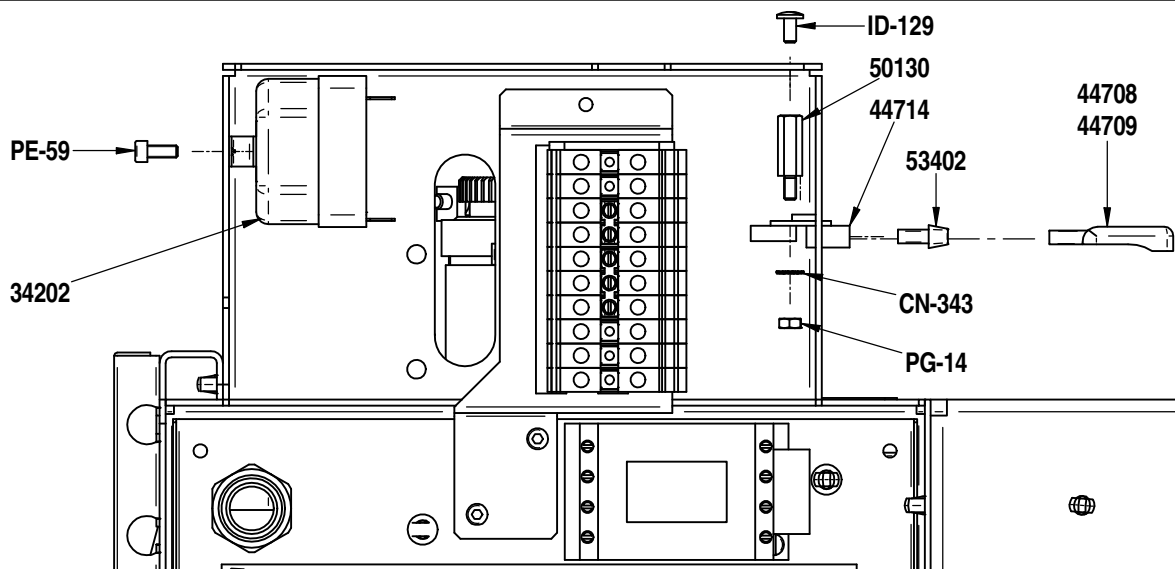


PLANCHE - PLATE 501

	DESIGNATIONS FR	DESIGNATIONS GB
CN2	IO232	IO232
CN3	RS232	RS232
CN4	RS232	RS232
CN5	RS232 CONSOLE DEBUG	RS232 DEBUG CONSOLE
CN6	CAPTEUR PRESSION / PRESENCE CAFE (TREMIE)	PRESSURE SENSOR / COFFEE PRESENCE (HOPPER)
CN7	CAPTEUR PRESSION EAU-VAPEUR	WATER-STEAM PRESSURE SENSOR
CN8	CAPTEUR EFFET HALL	EFFET HALL SENSOR
CN9	SECURITE ENTREE D'EAU	NO WATER SAFETY
CN12	COMPTEUR VOLUMETRIQUE D-G & EAU CHAUDE	DOSING DEVICE RIGHT-LEFT & HOT WATER
CN14	CAPTEUR GROUPE D & EFFET HALL BAS	GROUP RIGHT & EFFET HALL LOW SENSOR
CN15	CAPTEUR PISTON	PISTON SENSOR
CN17	SONDE LAIT / CHAUDIERE THERM.VAP. / GR. CAFE	MILK PROBE / COFFEE GR. / STEAM THERM. BOILER
CN20	SWITCH BAC A MARC	SWITCH DRAWER
CN21	TRANSFORMATEUR TOROIDAL	TOROIDAL TRANSFORMER
CN22	MOTEUR PLATEAU	TURNTABLE MOTOR
CN23	MOTEURS PISTONS	PISTONS MOTORS
CN24	VENTILATEUR / SOLUBLES MT	FAN / MT SOLUBLES
CN25	TRAPPE ELECTRO-AIMANT	ELECTROMAGNET HATCH
CN26	LED GAUCHE	LED LEFT
CN27	LED DROIT	LED RIGHT
CN29	RELAIS STATIQUES / CHAUDIERE VAPEUR	STATIC RELAY / STEAM BOILER
CN30	RELAIS STATIQUES / CHAUDIERE CAFE	STATIC RELAY / COFFEE BOILER
CN32	POMPE LAIT 2	MILK PUMP 2
CN34	ELECTROVANNES 24Vac	24Vac ELECTROVALVES
CN35	ELECTROVANNES CAPPUCCINO GAUCHE	LEFT CAPPUCCINO ELECTROVALVES
CN36	ELECTROVANNES 24Vac / LAIT 1	24Vac / MILK 1 ELECTROVALVES
CN38	EV 24Vac CAFE DROIT / SOLUBLES MT	RIGHT COFFEE / MT SOLUBLES 24Vac EV
CN39	ELECTROVANNES CAPPUCCINO DROIT	RIGHT CAPPUCCINO ELECTROVALVES
CN41	POMPE / MOULINS / CARTOUCHE / GROUPE	PUMP / GRINDERS / CARTRIDGE / GROUP
CN43	SECURITE MACHINE FILTRAGE	FILTERING MACHINE SAFETY
CN44	TELERUPTEUR	STEPPING SWITCH
CN47	SECURITE CAFE-VAPEUR / GROUPE (OPTO)	COFFEE-STEAM SAFETY / GROUP (OPTO)
CN50	ELECTROVANNES 24V	24V ELECTROVALVES

* Nota: références des câbles planche 550

Nota: electrical wires references plate 550

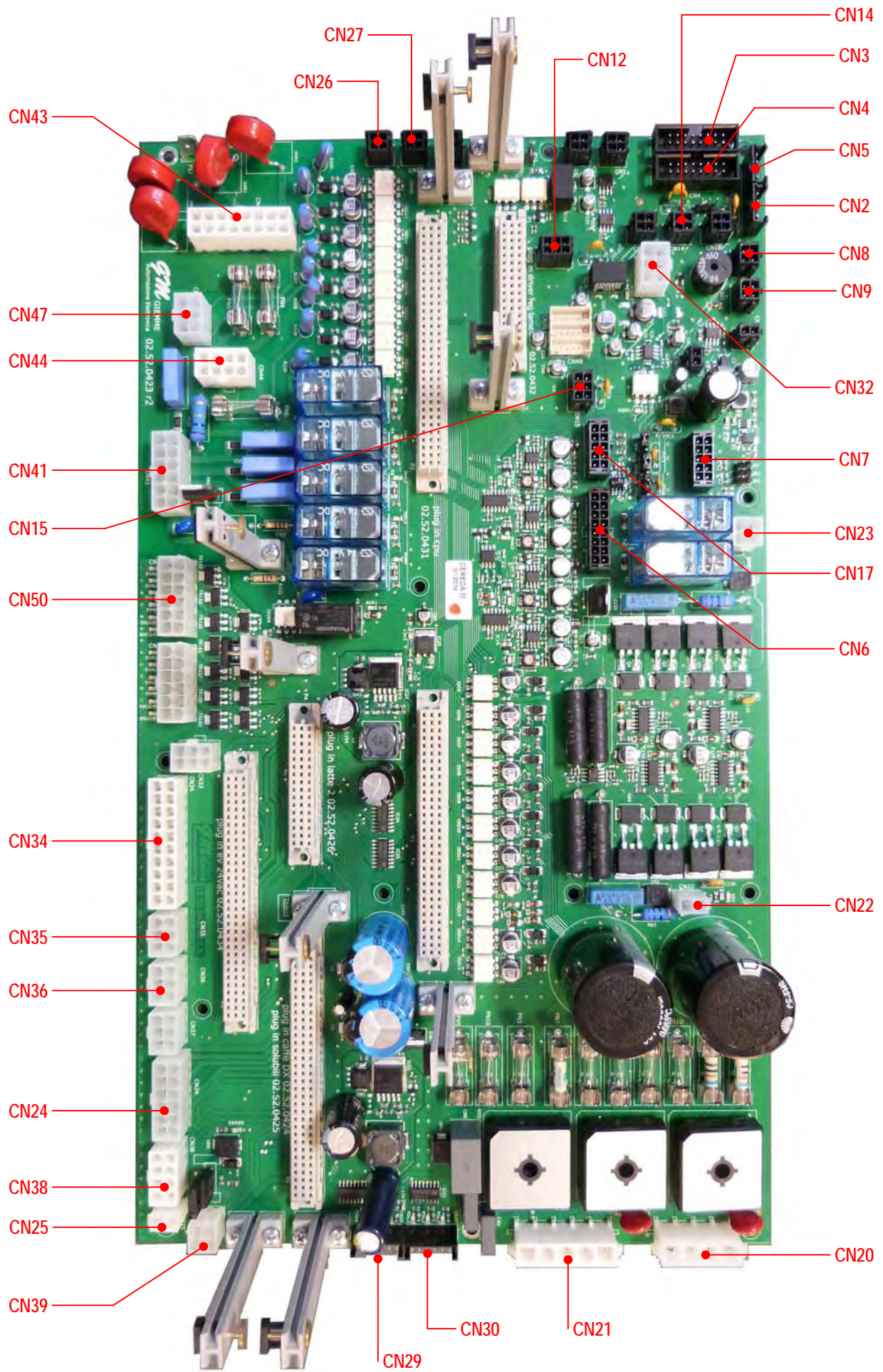


PLANCHE - PLATE 502

REF	DESIGNATIONS FR	DESIGNATIONS GB
FN1A	5A / EV-AC1-A / MODULE 24V: EVRE - EVSE - EVSV - EVNC - EVNK/EVNC - EVA - EVV	
FN1B	5A / EV-AC1-B / MODULE SOLUBLE: MT1 - MT2 - FAN SOL - EVKD/EVM1 - EAED/EVM2 MODULE CAFE DX: EVKD/EVM1 - EAED/EVM2 - EVCD - EVP2 - EVLD - EVS2	
FN1C	5A / EV-AC1-C / MODULE 24V: EVNKG - EVAEG - EVLG - EVCG - EVP1 - EVS1	
FN1D	5A / EV-AC1-D / MODULE 24V: EVAL1 - EVNL1 - EVVL1 - EVAL2 - EVNL2 - EVLL2	
FN2	10A / 22V / ALIM MOTEUR PISTON & PLATEAU	<i>PISTON & TURNTABLE MOTOR SUPPLY</i>
FN3	5A / 19V / +24V SECONDAIRE TRANSFO	TRANSFO SECONDARY
FN4	5A / TELERUPTEUR	STEPPING SWITCH
FN5	5A / NEUTRE	<i>NEUTRAL</i>
FN6	5A / RELAIS / MAC1 - MAC2 - MAC3 - GET1 - GET2 - GET3 - POMPE - AUX1 - CHGR	
FN7	10A / +V PLATEAU / MOTEUR PLATEAU	<i>TURNTABLE MOTOR</i>
FN8	10A / +V PISTON / MOTEUR PISTON	<i>PISTON MOTOR DC</i>
FN9	5A / +24V CONTINU + POMPE LAIT	<i>+ MILK Pump</i>
FN10	5A / +12V, +9V, +5V, +3.3V Low TENSION CONTINUE ALIM CAPTEUR	
43112	FUSIBLE 5 X 20 10A RETARDE T	<i>FUSE 10A DELAYED</i>
43115	FUSIBLE 5 X 20 5A RETARDE T	<i>FUSE 5A DELAYED</i>

FN4

FN5

FN6

FN3

FN10

FN9

FN1A

FN1B

FN1C

FN1D

FN2

FN8

FN7

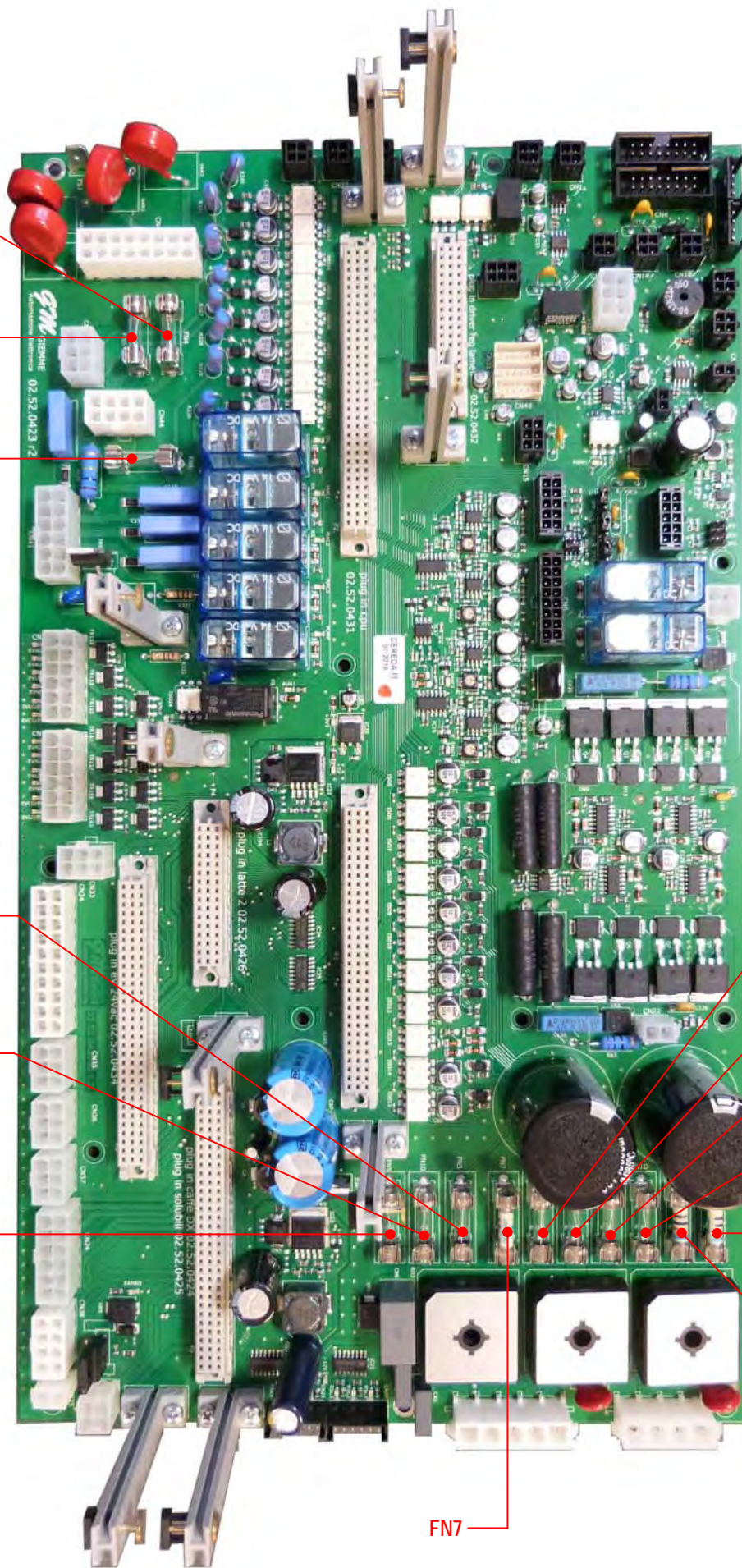


PLANCHE - PLATE 511

REF	DESIGNATIONS FR	DESIGNATIONS GB
41400	BARRETTE 10 POLES	TERMINAL BOARD
41401	PROTECTION 10 POLES	COVER
41412	POINTE	PIN
44200	TRANSFO TOROIDAL 540 Va / 200-230-240-22-19V	TRANSFORMER 540Va / 200-230-240-22-19V
44410	RELAIS STATIQUE 25A	SOLID STATE RELAY 25A
CN-343	RONDELLE EVENTAIL 4	WASHER 4
CN-489	VIS INOX CHC 4 x 16	SCREW M4 X 16
PE-12	ECROU M8	NUT M8
PE-59	VIS TCHC M4x10 INOX	SCREW 4 X 10
PG-14	ECROU M4	NUT M4
RO-13	VIS INOX TC 4 x 10	SCREW M4 X 10 -
RR-83	RONDELLE GROVER DE 8	WASHER 8
TG-2056	SUPPORT 6 RELAIS STATIQUES	6 STATICS RELAYS HOLDER

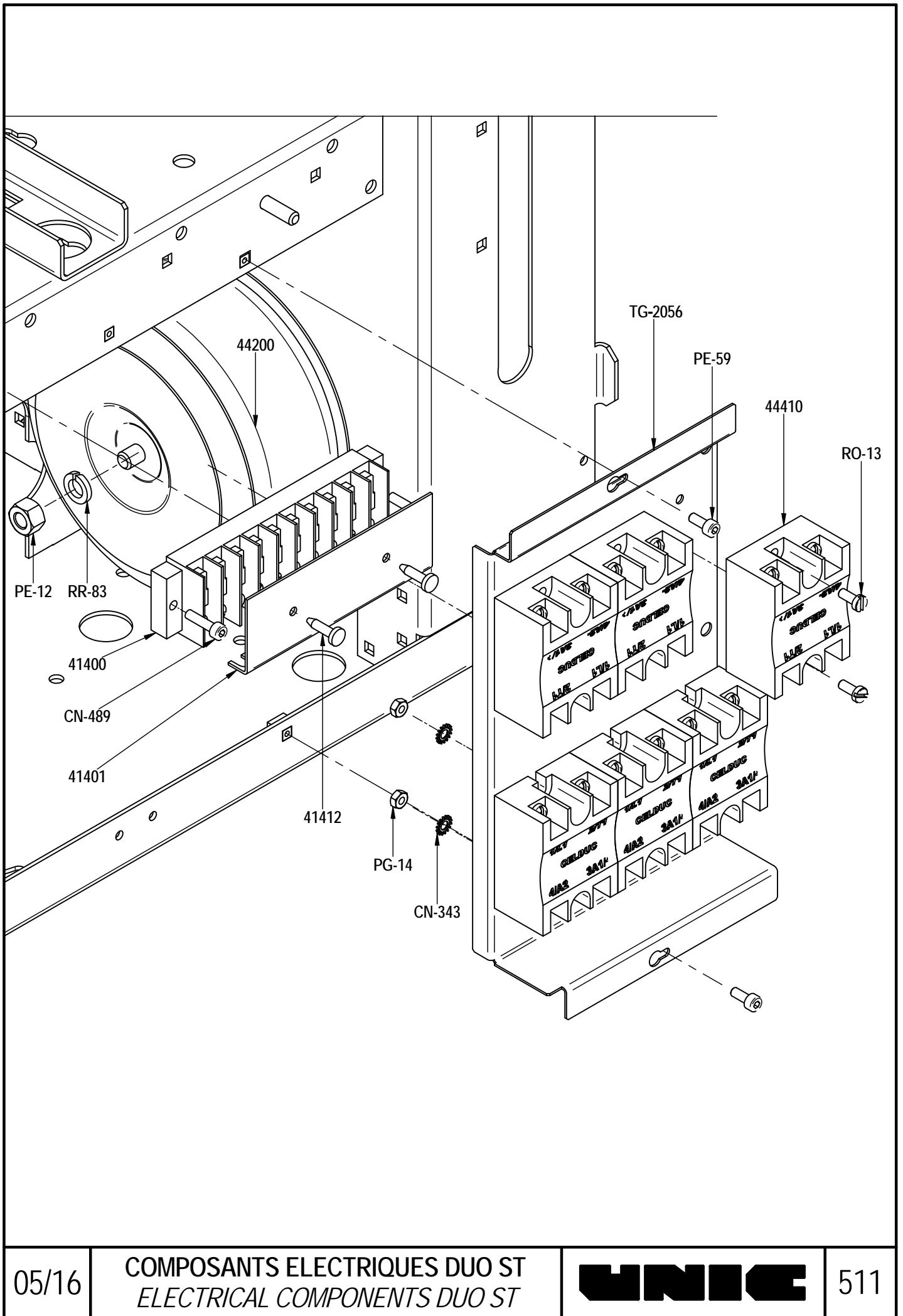


PLANCHE - PLATE 501

	DESIGNATIONS FR	DESIGNATIONS GB
CN2	IO232	IO232
CN3	RS232	RS232
CN4	RS232	RS232
CN5	RS232 CONSOLE DEBUG	RS232 DEBUG CONSOLE
CN6	CAPTEUR PRESSION / PRESENCE CAFE (TREMIE)	PRESSURE SENSOR / COFFEE PRESENCE (HOPPER)
CN7	CAPTEUR PRESSION EAU-VAPEUR	WATER-STEAM PRESSURE SENSOR
CN8	CAPTEUR EFFET HALL	EFFET HALL SENSOR
CN9	SECURITE ENTREE D'EAU	NO WATER SAFETY
CN12	COMPTEUR VOLUMETRIQUE D-G & EAU CHAUDE	DOSING DEVICE RIGHT-LEFT & HOT WATER
CN14	CAPTEUR GROUPE D & EFFET HALL BAS	GROUP RIGHT & EFFET HALL LOW SENSOR
CN15	CAPTEUR PISTON	PISTON SENSOR
CN17	SONDE LAIT / CHAUDIERE THERM.VAP. / GR. CAFE	MILK PROBE / COFFEE GR. / STEAM THERM. BOILER
CN20	SWITCH BAC A MARC	SWITCH DRAWER
CN21	TRANSFORMATEUR TOROIDAL	TOROIDAL TRANSFORMER
CN22	MOTEUR PLATEAU	TURNTABLE MOTOR
CN23	MOTEURS PISTONS	PISTONS MOTORS
CN24	VENTILATEUR / SOLUBLES MT	FAN / MT SOLUBLES
CN25	TRAPPE ELECTRO-AIMANT	ELECTROMAGNET HATCH
CN26	LED GAUCHE	LED LEFT
CN27	LED DROIT	LED RIGHT
CN29	RELAIS STATIQUES / CHAUDIERE VAPEUR	STATIC RELAY / STEAM BOILER
CN30	RELAIS STATIQUES / CHAUDIERE CAFE	STATIC RELAY / COFFEE BOILER
CN32	POMPE LAIT 2	MILK PUMP 2
CN34	ELECTROVANNES 24Vac	24Vac ELECTROVALVES
CN35	ELECTROVANNES CAPPUCCINO GAUCHE	LEFT CAPPUCCINO ELECTROVALVES
CN36	ELECTROVANNES 24Vac / LAIT 1	24Vac / MILK 1 ELECTROVALVES
CN38	EV 24Vac CAFE DROIT / SOLUBLES MT	RIGHT COFFEE / MT SOLUBLES 24Vac EV
CN39	ELECTROVANNES CAPPUCCINO DROIT	RIGHT CAPPUCCINO ELECTROVALVES
CN41	POMPE / MOULINS / CARTOUCHE / GROUPE	PUMP / GRINDERS / CARTRIDGE / GROUP
CN43	SECURITE MACHINE FILTRAGE	FILTERING MACHINE SAFETY
CN44	TELERUPTEUR	STEPPING SWITCH
CN47	SECURITE CAFE-VAPEUR / GROUPE (OPTO)	COFFEE-STEAM SAFETY / GROUP (OPTO)
CN50	ELECTROVANNES 24V	24V ELECTROVALVES

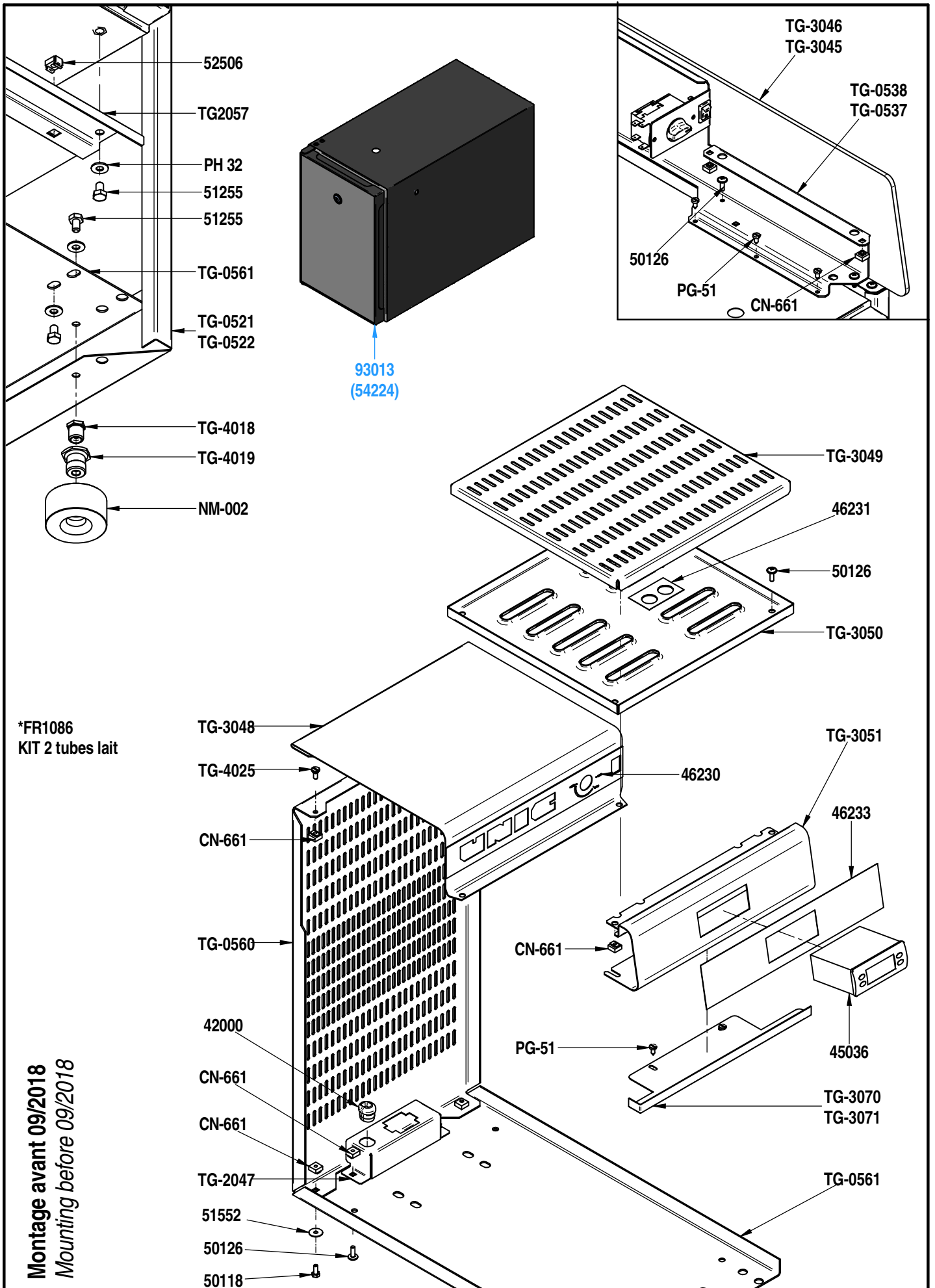
* Nota: références des câbles planche 550

Nota: electrical wires references plate 550

REF	DESIGNATION FR	DESIGNATION GB	CONNECTEUR	NB PINS	TENSION	QUANTITE	
						SOLO	FRIGO
FR-8019	CABLE BLEU CONN. BOBINE ET CONTACT	COIL CONNECTION BLUE CABLE			High	1	2
FR-8029	CELLULES OPTIQUES AVEC CONNECTEUR	PHOTO CELL SENSORS	CN6	16	Low	1	
FR-8055	CABLE RALLONGE EV SV EV	EXTENTION WIRE EV SV EV			Low	1	1
TG-8012	CABLE LIAISON USB	USB LINK WIRE	CN2	4	Low	1	1
TG-8013	RS 232 ECRAN TFT GAUCHE	LEFT DISPLAY WIRE	CN3	16	Low	1	1
TG-8014	RS 232 ECRAN TFT DROIT	RIGHT DISPLAY WIRE	CN4	16	Low	1	1
TG-8016	CABLE ADAPTATEUR MOTEUR PLATEAU	TURNABLE MOTOR ADAPTOR WIRE	CN22	2	Low	1	1
TG-8017	CABLE CHAUDIERE VAPEUR & RESEAU	STEAM BOILER & WATER SYSTEM WIRE	CN7	10	Low	1	1
TG-8027	CABLE SONDES THERMO. & NIVEAUX	PROBES WIRE	CN17	10	Low	1	1
			CN26	4			
			CN27	4			
TG-8029	CABLE COMMANDES DROITE	RIGHT CONTROL WIRE	CN14	4	Low		1
			CN38	8			
			CN39	4			
TG-8030	CABLE SECURITE BAC A MARC	DRAWER SAFETY WIRE	CN20	4	Low	1	1
			CN8	4			
			CN9	4			
TG-8037	CABLE TRAPPE, PIST. COD. SECU. CTRL MOTEUR	HATCH, PIST. COD. SAFE. MOTOR WIRE	CN12	6	Low	1	1
			CN15	6			
			CN23	4			
			CN25	2			
TG-8039	CABLE CMD RELAIS STAT. CHAUD. VAP./CAFE	CTRL STAT. RELAY & STEAM/COFFEE BOIL. WIRE	CN29	6	Low	1	1
TG-8040	CABLE CMD RELAIS STAT. CHAUD. VAP.	CTRL STAT. RELAY & STEAM BOIL. WIRE	CN30	6	Low	1	1
TG-8041	CABLE CMD EV, POMPE FRIGO PARTIE 1	EV, FRIDGE PUMP 1ST PART WIRE	CN32	6	Low		1
			CN36	6			
			CN50	12			
TG-8042	CABLE CMD EV, POMPE FRIGO PARTIE 2	EV, FRIDGE PUMP 2ND PART WIRE			Low		1
TG-8043	CABLE CMD EVRE, EVSE ,EVSV,EVKG	EVRE, EVSE, EVSV, EVKG WIRE	CN34	20	Low	1	1
TG-8045	CABLE EV CAPPUCCINO GAUCHE	LEFT CAPPUCCINO EV WIRE	CN35	6	Low	1	1
TG-8049	CABLE CPU GND CALANDRE	CPU GND FRONT PANEL WIRE			TERRE	1	1
			CN41	12			
TG-8050	CABLE MOULINS R,V,O,RES GR,RI,POMPE	GRINDER R,G,O,RES GR,RI,PUMP WIRE	CN44	8	High	1	1
			CN47	6			
TG-8057	CABLE CHAUDIERE CAFE	COFFEE BOILER WIRE			High	1	1
TG-8058	CABLE GROUPE VAPEUR CAFE	STEAM/COFFEE GROUP WIRE			High	1	1
TG-8059	CABLE PONTAGE RELAIS STATIQUES	STATIC RELAY JUMPER WIRE			High	3	
TG-8062	CABLE SORTIE CONTACTEUR	OUTPUT CONTACTOR WIRE			High	1	1
TG-8100	CABLE INTER, AFFICHEUR T°C REG C- F	DISPLAY T°C, COLD-HOT, SWITCH WIRE			High		1
TG-8101	CABLE ALIMENTATION	ALIMENTATION WIRE			High		1

PLANCHE - PLATE 607

REF	DESIGNATIONS FR	DESIGNATIONS GB
42000	SERRE CABLE D:9 HEYCO	CABLE CLAMP
45036	AFFICHEUR DE TEMPERATURE	TEMPERATURE DISPLAY
46230	BANDEAU MODULE ST	MODULE ST STRIP
46231	STICKER AIR ADJUSTMENT	STICKER AIR ADJUSTMENT
46233	STICKER CALANDRE MODULE	FRONT PANEL STICKER
50118	VIS TH M4X10 INOX	S.STEEL SCREW M4X10
50126	VIS TB CRUCIFORME A EMBASE M4 x 12	CRUCIFORM SCREW M4 x 12
51255	VIS TH M6 X 10 INOX	S. STEEL SCREW M6 X 10
51552	RONDELLE INOX 4.25x14x0.8	S..STEEL WASHER 4.25x14x0.8
52506	ECROU CAGE M6 X ep 1	INSERT NUT M6
54224	BAC A LAIT	MILK CONTAINER
93013	FRIGO VITRIFRIGO 4 LITRES	VITRIFRIGO 4 LITERS
FR1086	KIT 2 TUBES LAIT (DROIT & GAUCHE)	KIT 2 PIPES FOR MILK (RIGHT & LEFT)
CN-661	ECROU CAGE M4, EP 1/1.6	INSERT NUT M4
NM-002	PIED CAOUTCHOUC NOIR	FOOT
PG-51	VIS TOLE TC Ac Zn 3,9 X 9,5	SHEET SCREW 3,9 x 9,5
PH-32	RONDELLE ACIER Zn 6,25x14x1,2	WASHER
TG-0521	COTE DROIT CHASSIS MODULE ST	RIGHT SIDE OF MODULE ST
TG-0522	COTE GAUCHE CHASSIS MODULE ST	LEFT SIDE OF MODULE ST
TG-0537	COTE HAUT GAUCHE CHASSIS	HIGH LEFT SIDE
TG-0538	COTE HAUT DROIT CHASSIS	HIGH RIGHT SIDE
TG-0560	CHEMISE ARRIERE MODULE ST	REAR CASING
TG-0561	BAS CHASSIS MODULE ST	LOWER CHASSIS
TG-2047	SUPPORT CONNECTIQUE	HOLDER CONNECTIONS
TG-2057	TOLE SUPPORT FRIGO	SHEET METAL HOLDER
TG-3045	COTE PLEXI GAUCHE FRIGO ST	LEFT PLEXI SIDE
TG-3046	COTE PLEXI DROIT FRIGO ST	RIGHT PLEXI SIDE
TG-3048	DESSUS MODULE ST	TOP OF MODULE
TG-3049	VERRIERE CHAUFFE TASSES	CUP RACK
TG-3050	CHAUFFE TASSES	CUP WARMER
TG-3051	CALANDRE	FRONT PANEL
TG-3070	TOLE CORNIERE (A GAUCHE)	SHEET METAL CORNER (TO THE LEFT)
TG-3071	TOLE CORNIERE (A DROITE)	SHEET METAL CORNER (TO THE RIGHT)
TG-4018	ECROU FIXATION PIED	INSERT FIXING FOOT
TG-4019	PIED REGLABLE	ADJUSTABLE FOOT
TG-4025	PION DE FIXATION M4	FIXING PION M4



Montage avant 09/2018
 Mounting before 09/2018

PLANCHE - PLATE 611

REF	DESIGNATIONS FR	DESIGNATIONS GB
12708	TUBE SILICONE CAPPUCCINATORE L	CAPPUCCINATORE SILICON PIPE
20950	RACCORD 1/8 POUR GICLEUR	FITTING 1/8 FOR GICLUER
23751	AXE DE BANJO 1/8	BANJO SCREW
23760	AXE BANJO 1/4	BANJO SCREW 1/4
23761	CORPS DE BANJO 1/4	BANJO BODY 1/4
24452	ECROU 1/8F FENDU	NUT 1/8M
26134	CAPPUCCINO IDEA	CAPPUCCINATORE
26148	BRISE JET	ANTI PLASH PLUG
26149	MOUSSEUR	FROTHER
26151	REDUCTEUR CAPPUCCINATORE D1.7	CAPPUCCINATORE REDUCER D1.7
26152	REDUCTEUR CAPPUCCINATORE D2	CAPPUCCINATORE REDUCER D2
26171	BEC VERSEUR	SPOUT
26174	MELANGEUR	MIXER
27714	JOINT TORIQUE 1,78 X 15,6 SILICONE	GASKET 15.6 X 1,78
27715	JOINT TORIQUE 1,78X8,73 SILICONE	GASKET 8,73 X 1,78
27737	JOINT TORIQUE 1,78 X 6,07 NEXUS	O RING 1.78 X 6,07
27796	JOINT TORIQUE 1,78 X 12,42 NEXUS	O RING 1.78 X 12,42
28134	JOINT TORIQUE 2X9,5 NEXUS	O RING 2X9,5
35012	BOBINE 24V	SOLENOID COIL 24V
35021	ELECTROVANNE 3 VOIES D3 SANS BOBINE	ELECTROVALVE 3W WITHOUT COIL
35026	ELECTROVANNE 3 VOIES D3 NSF SANS BOBINE	ELECTROVALVE 3W WITHOUT COIL NSF
CN-2850	JOINT TORIQUE 1,78X10,82	GASKET 10.82x1.78
CN-436	JOINT TORIQUE 1,78X8,73 EPDM	GASKET 8,73 X 1,78
FR-1046	ENSEMBLE LC	LC SET
FR-4078	INJECTEUR AIR	GICLUER
FR-4079	EMBOUT M6	SCREW M6
FR-4080	CORPS CAPPUCCINO	BODY
FR-4081	ENTRETOISE CAPPUCCINO	INTERFACE
FR-4082	SUPPORT EV CAPPUCCINO	EV HOLDER
FR-4083	NOURRICE NETTOYAGE	CLEANING FITTING
FR-4084	RACCORD 1/8M SORTIE EV	CONNECTION 1/8M OUTPOUT EV
PE-59	VIS TCHC M4x10 INOX	SCREW 4 X 10
PH-17	JOINT TORIQUE 2,62X20,63 EPDM	GASKET 20,63 X 2,62
RR-32B	JOINT TORIQUE 2,62X26,64 EPDM	ROUND RING 26,64 x 2,62 - 75

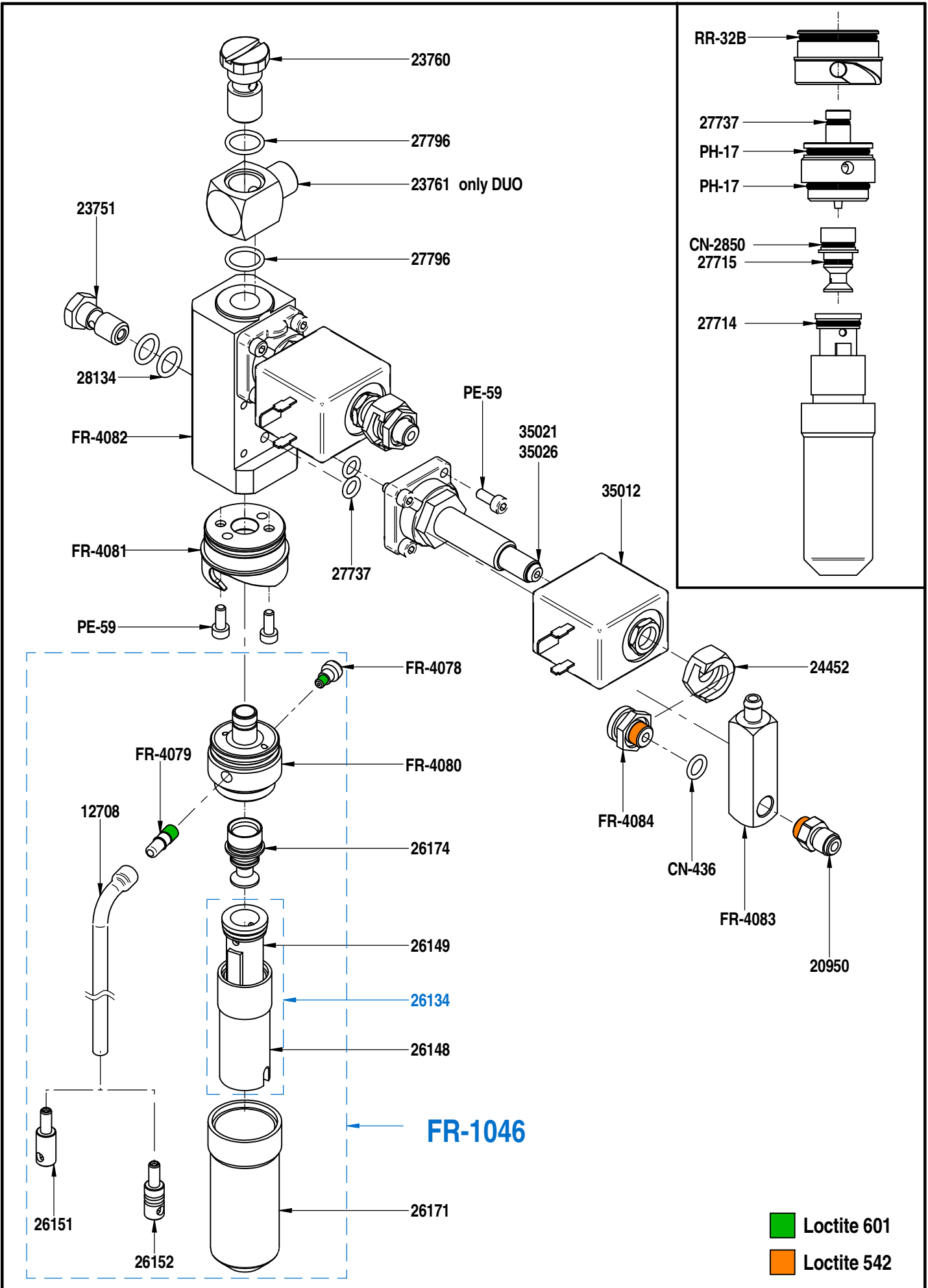
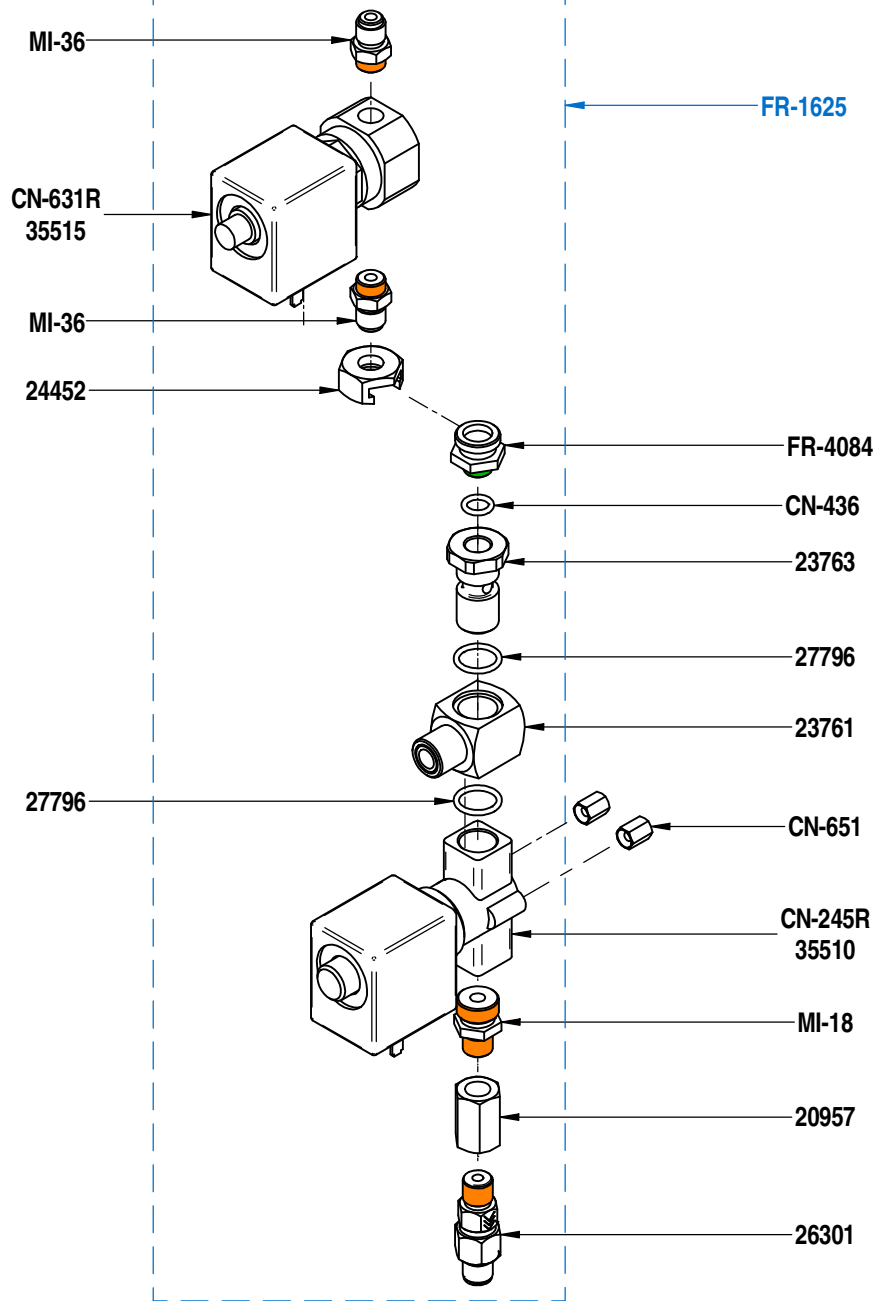


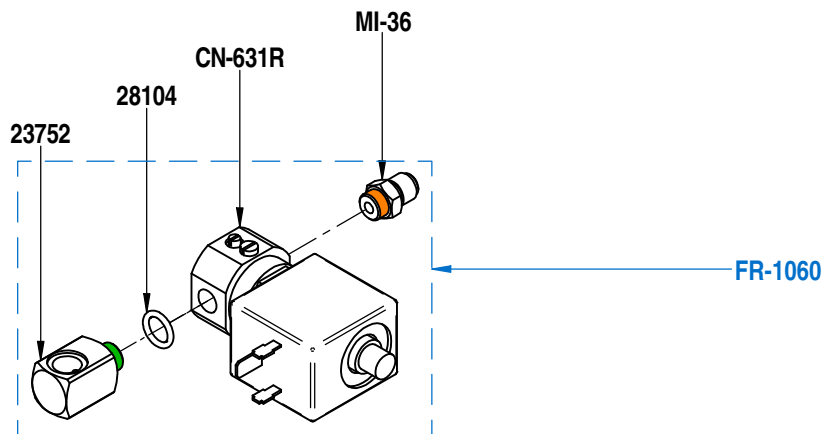
PLANCHE - PLATE 612

REF	DESIGNATIONS FR	DESIGNATIONS GB
20957	RACCORD DROIT 1/8G	<i>FITTING 1/8G</i>
23752	CORPS DE BANJO 1/8	<i>BANJO BODY FOR UNIT HEAD</i>
23761	CORPS DE BANJO 1/4	<i>BANJO BODY 1/4</i>
23763	AXE BANJO 1/4M - 1/8F	<i>BANJO SCREW 1/4M 1/8F</i>
24452	ECROU 1/8F FENDU	<i>NUT 1/8M</i>
26301	CLAPET ANTI-RETOUR 1/8	<i>NO RETURN VALVE 1/8</i>
27796	JOINT TORIQUE 1,78 X 12,42 NEXUS	<i>O RING 1.78 X 12,42</i>
28104	JOINT TORIQUE 2X9,5 FKM 80SH	<i>GASKET 2X9,5</i>
35510	EV 2 VOIES 24V NSF	<i>ELECTROVALVE 2 WAYS 24V NSF</i>
35515	EV 2 VOIES 24V 50-60HZ NSF	<i>EV 2 WAYS 24V 50-60HZ NSF</i>
CN-245R	ELECTROVANNE 2V 24V-50/60Hz	<i>ELECTROVALVE 2W 24V-50/60Hz</i>
CN-436	JOINT TORIQUE 1,78X8,73 EPDM	<i>GASKET 8,73 X 1,78</i>
CN-631R	EV 2V REGL. 24V-50/60Hz	<i>ELECTROVALVE 2W ADJ. 24V-50/60Hz</i>
CN-651	ENTRETOISE COURTE DU C.I.	<i>SHORT SPACER FRAME</i>
FR-1060	EV NETTOYAGE CAPPUCCINO	<i>CAPPUCCINO CLEANING ELECTROVALVE</i>
FR-1625	BLOC NETTOYAGE CAFE-CAPPU SOLO	<i>CLEANING COFFEE-CAPPU BLOCK</i>
FR-4084	RACCORD 1/8M SORTIE EV	<i>CONNECTION 1/8M OUTPOUT EV</i>
MI-18	RACCORD MM 1/4 - 1/8 G	<i>FITTING - 1/8 x 1/4</i>
MI-36	RACCORD 1/8M 1/8M	<i>CONNECTION 1/8</i>



SOLO & ACE

DUO



- Loctite 601
- Loctite 542

PLANCHE - PLATE 614

REF	DESIGNATIONS FR	DESIGNATIONS GB
23751	AXE DE BANJO 1/8	<i>BANJO SCREW</i>
28134	JOINT TORIQUE 2X9,5 NEXUS	<i>O RING 2X9,5</i>
DV-91	INSERT NIQUELE DIAMETRE 4	<i>SLEEVE D4</i>
FR-6018	TUBE REGULATION CAPPUCCINO GAUCHE	<i>LEFT CAPPUCCINO REGULATION PIPE</i>
FR-6022	TUBE PLONGEUR	<i>DIVER PIPE</i>
FR-6029	TUBE ALIMENTATION CAPPUCCINO GAUCHE	<i>LEFT CAPPUCCINO FEEDING PIPE</i>
FR-6034	TUBE NETTOYAGE CAPPUCCINO GAUCHE	<i>LEFT CAPPUCCINO CLEANING PIPE</i>
MI-34	ECROU LAITON 1/8"	<i>COMPRESSION NUT - 1/8</i>
MI-35	BAGUE DE SERRAGE LAITON	<i>NIPPLE</i>

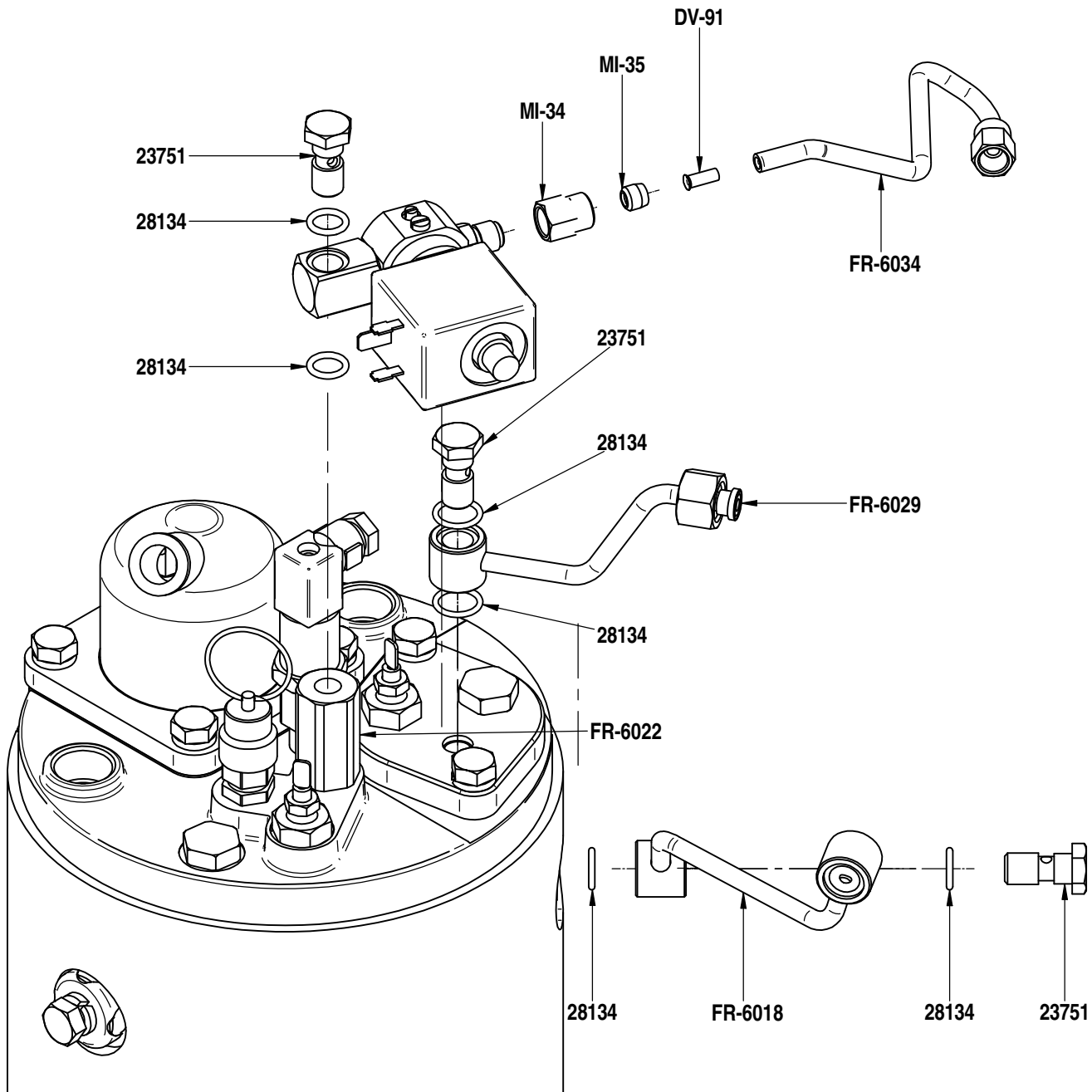
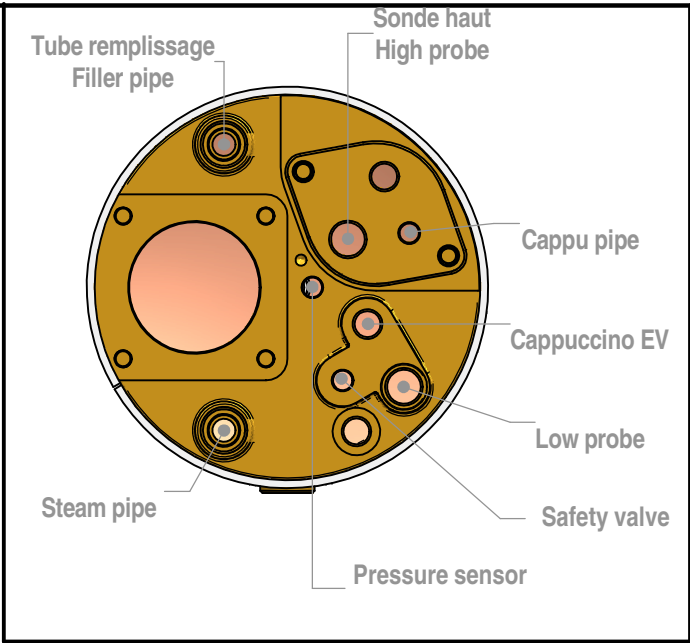


PLANCHE - PLATE 615

REF	DESIGNATIONS FR	DESIGNATIONS GB
23751	AXE DE BANJO 1/8	<i>BANJO SCREW</i>
23760	AXE BANJO 1/4	<i>BANJO SCREW 1/4</i>
27796	JOINT TORIQUE 1,78 X 12,42 NEXUS	<i>O RING 1.78 X 12,42</i>
28134	JOINT TORIQUE 2X9,5 NEXUS	<i>O RING 2X9,5</i>
DV-91	INSERT NIQUELE DIAMETRE 4	<i>SLEEVE D4</i>
FR-6016	TUBE REGULATION CAPPUCCINO DROIT	<i>RIGHT CAPPUCCINO REGULATION PIPE</i>
FR-6020	TUBE ALIM. CAPPU. DROIT	<i>RIGHT CAPPU. DEVICE FEEDING PIPE</i>
FR-6022	TUBE PLONGEUR	<i>DIVER PIPE</i>
FR-6073	TUBE NETTOYAGE CAPPUCCINO DROIT	<i>RIGHT CAPPUCCINO CLEANING PIPE</i>
MI-34	ECROU LAITON 1/8"	<i>COMPRESSION NUT - 1/8</i>
MI-35	BAGUE DE SERRAGE LAITON	<i>NIPPLE</i>

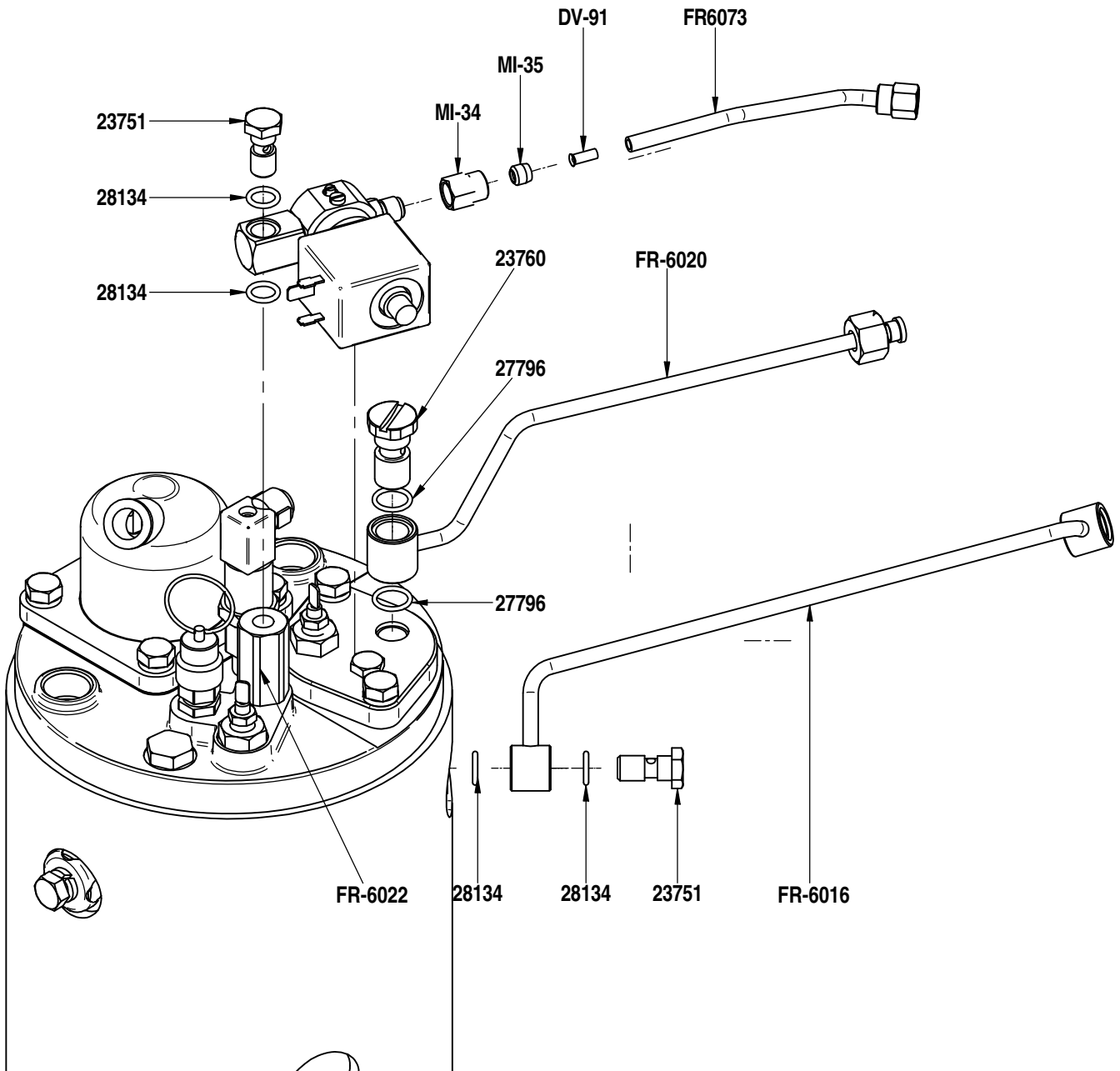
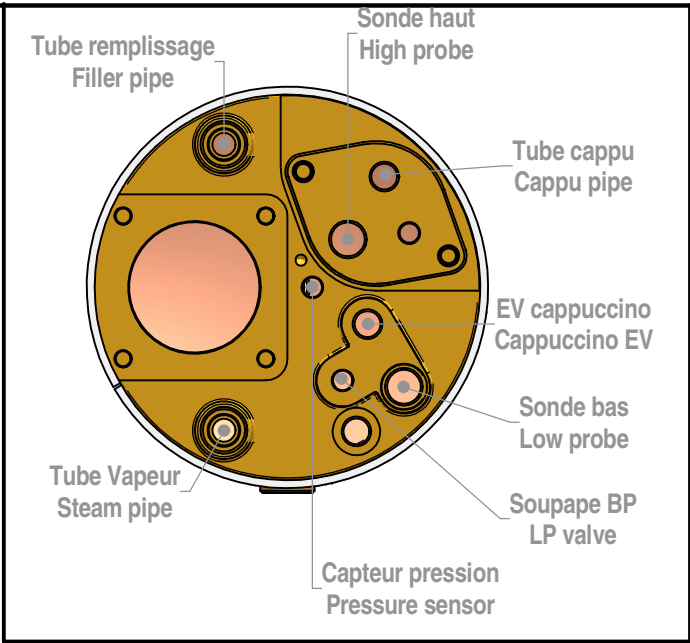


PLANCHE - PLATE 616

REF	DESIGNATIONS FR	DESIGNATIONS GB
23751	AXE DE BANJO 1/8	BANJO SCREW
28134	JOINT TORIQUE 2X9,5 NEXUS	O RING 2X9,5
DV-91	INSERT NIQUELE DIAMETRE 4	SLEEVE D4
FR-6017	TUBE REGULATION 2 CAPPUCCINO	DOUBLE CAPPUCCINO REGULATION PIPE
FR-6020	TUBE ALIM. CAPPU. DROIT	RIGHT CAPPU. DEVICE FEEDING PIPE
FR-6029	TUBE ALIMENTATION CAPPUCCINO GAUCHE	LEFT CAPPUCCINO FEEDING PIPE
FR-6022	TUBE PLONGEUR	DIVER PIPE
FR-6075	TUBE NETTOYAGE 2 CAPPUCCINO	TWO CAPPUCCINO CLEANING PIPE
MI-34	ECROU LAITON 1/8"	COMPRESSION NUT - 1/8
MI-35	BAGUE DE SERRAGE LAITON	NIPPLE

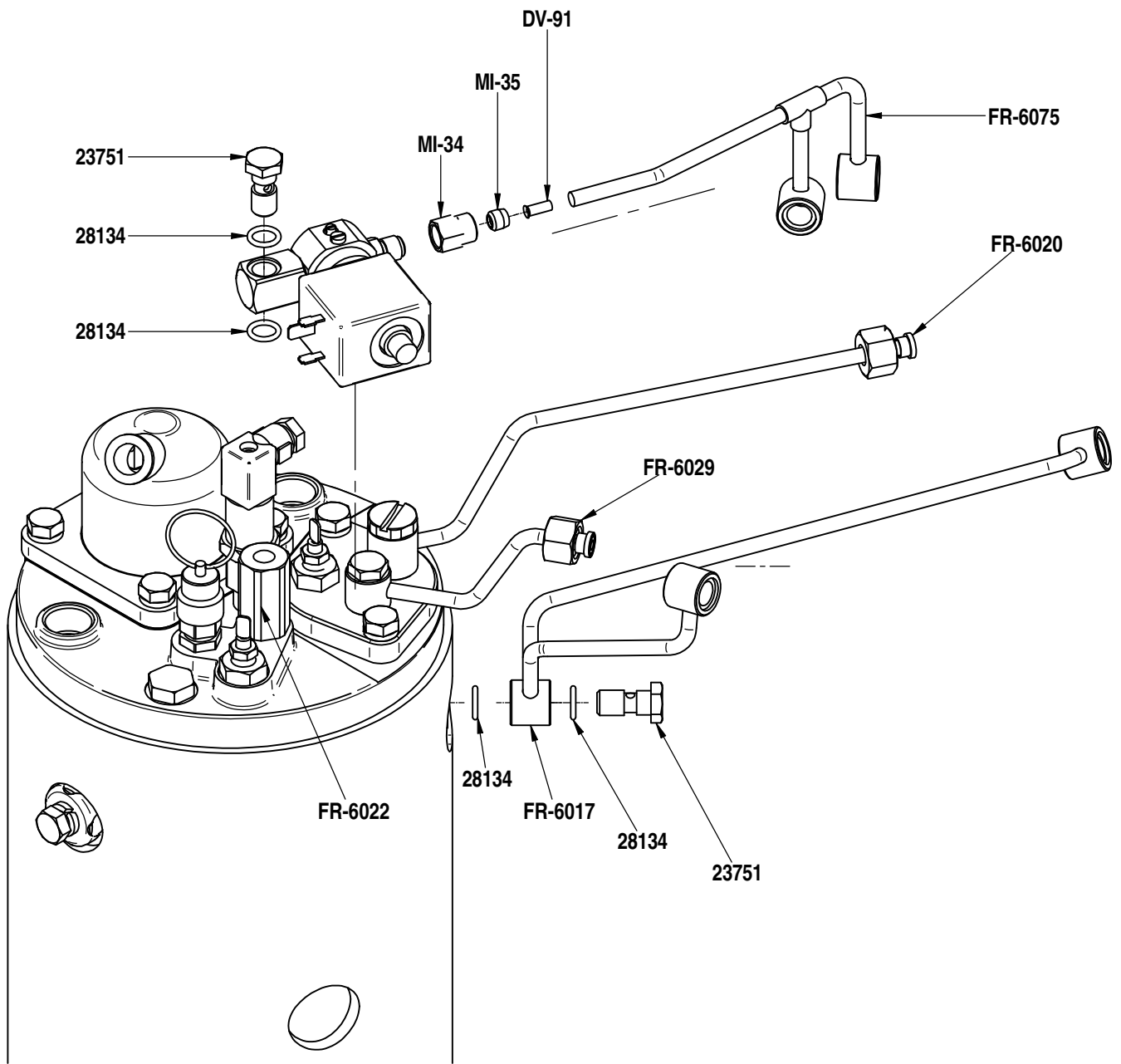
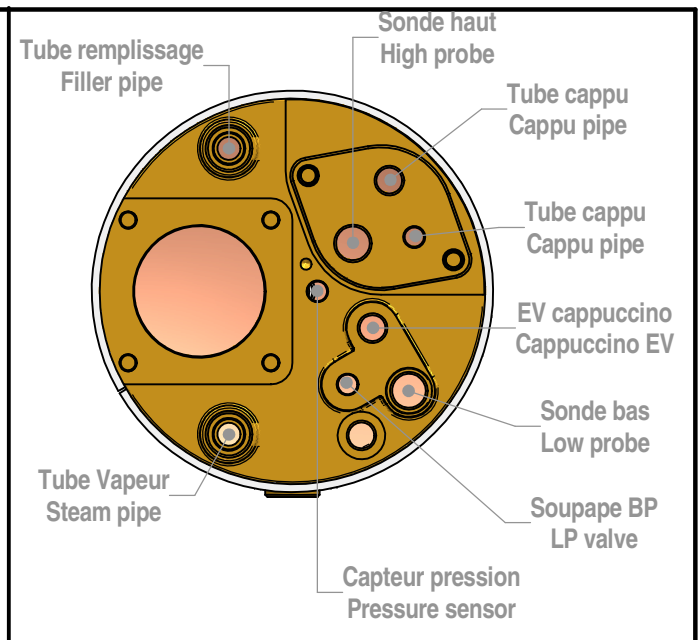
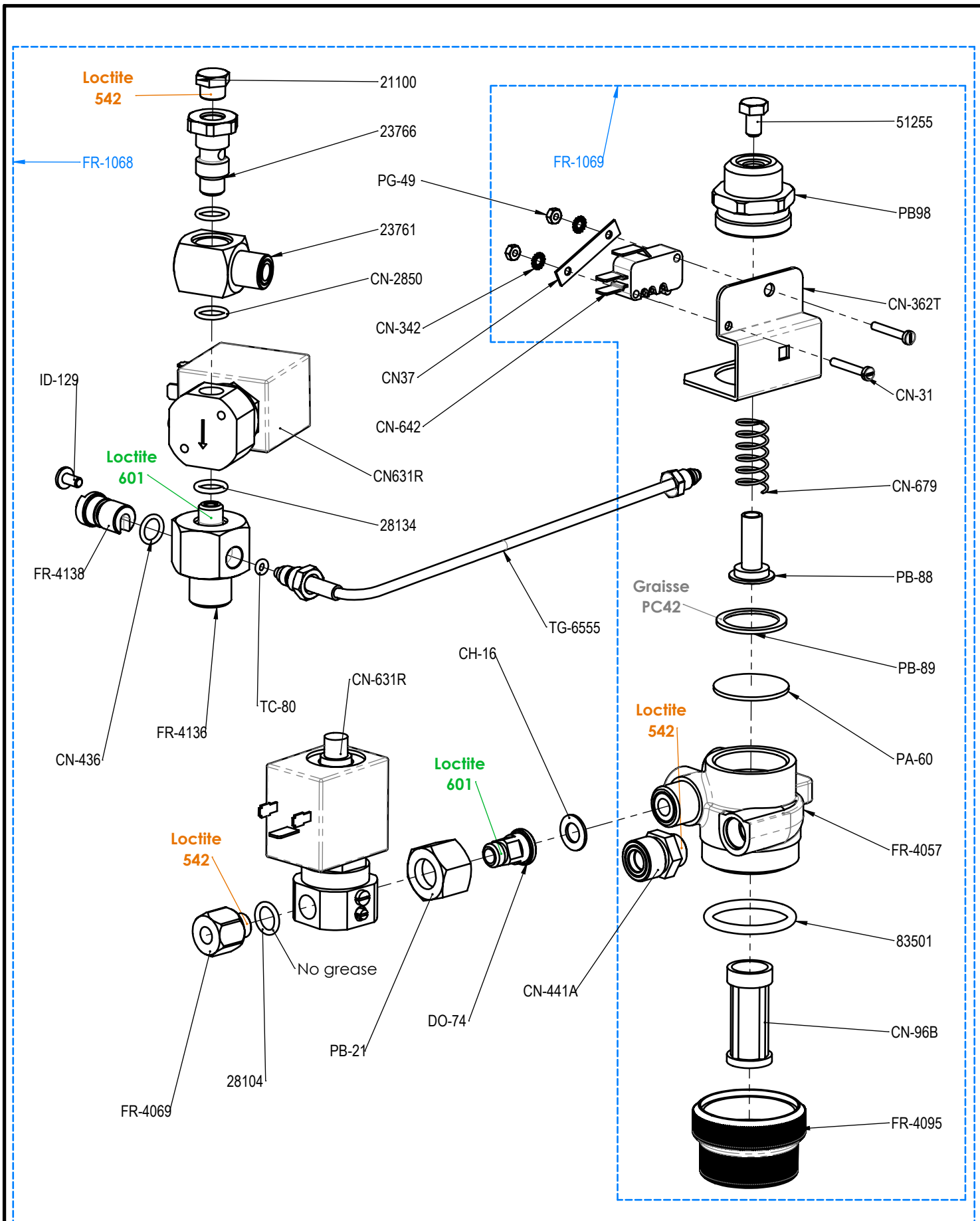


PLANCHE - PLATE 620

REF	DESIGNATIONS FR	DESIGNATIONS GB
21100	BOUCHON 1/8	PLUG 1/8
23761	CORPS DE BANJO 1/4	BANJO BODY 1/4
23766	AXE BANJO 1/4M - 1/8F	BANJO SCREW 1/4M 1/8F
28104	JOINT TORIQUE 2X9,5 FKM 80SH	GASKET 2X9,5
51255	VIS TH M6 X 10 INOX	S. STEEL SCREW M6 X 10
83501	JOINT TORIQUE 3,53 X 29,75	GASKET 3,53 X 29,75
CH-16	JOINT CUIVRE RECUIT 3/8	WASHER - COPPER - 3/8
CN-2850	JOINT TORIQUE 1,78X10,82	GASKET 10.82x1.78
CN-31	VIS TC M3 X 20 INOX	SCREW M3 X 20
CN-342	RONDELLE EVENTAIL 3	WASHER 3
CN-362T	SUPPORT TOLE POUR MINIRUPTEUR	MICROSWITCH HOLDER
CN-37	PATTE INOX FIXATION MINIRUPT.	MICROSWITCH HOLDING BAR
CN-436	JOINT TORIQUE 1,78X8,73 EPDM	GASKET 8,73 X 1,78
CN-441A	RACCORD 1/4M-3/8M	FITTING 1/4 3/8
CN-631R	EV 2V REGL. 24V-50/60Hz	ELECTROVALVE 2W ADJ. 24V-50/60Hz
CN-642	MINIRUPTEUR F=300GR FLASHE OR	MICROSWITCH
CN-679	RESSORT SECU. EAU D13 P5 L30	SPRING
CN-96B	CARTOUCHE POUR FILTRE 80 MIC	FILTER CARTRIDGE 80 MICRONS
DO-74	RACCORD SOUPAPE HP	H.P VALVE CONNECTION
FR-1068	KIT MITIGEUR EAU CHAUDE	MIXED HOT WATER KIT
FR-1069	BLOC MITIGEUR EAU CHAUDE	MIXED HOT WATER BLOCK
FR-4057	BLOC FILTRE EAU MITIGEE	MIXED WATER FILTER BODY
FR-4069	RACCORD 1/8M M8 X 100	FITTING 1/8M M8 X 100
FR-4095	CUVE FILTRE LAITON	BRASS WATER SAFETY DISK
FR-4136	RACCORD SORTIE EAU MITIGEE	MIXED WATER FITTING
FR-4138	BOUCHON MELANGEUR	MIXER CAP
ID-129	VIS INOX POELIER VM 4 X 8	SCREW 4 X 8
PA-60	MEMBRANE D30	MEMBRANE D30
PB-21	ECROU 3/8 LAITON	FITTING 3/8
PB-88	PISTON	PISTON
PB-89	RONDELLE POUR MEMBRANE	TIGHTENING WASHER
PB-98	EMBOUT	FITTING
PG-49	ECROU INOX Hu DE 3	NUT M3
TC-80	JOINT TORIQUE 1,78X2,90 FKM	GASKET 1.78X2.90 FKM
TG-6555	TUBE PTFE D:4 L:800mm	PTFE PIPE D:4 L:800mm
FR-8052 *	CABLE EV EAU MITIGEE	MIXED WATER EV CABLE

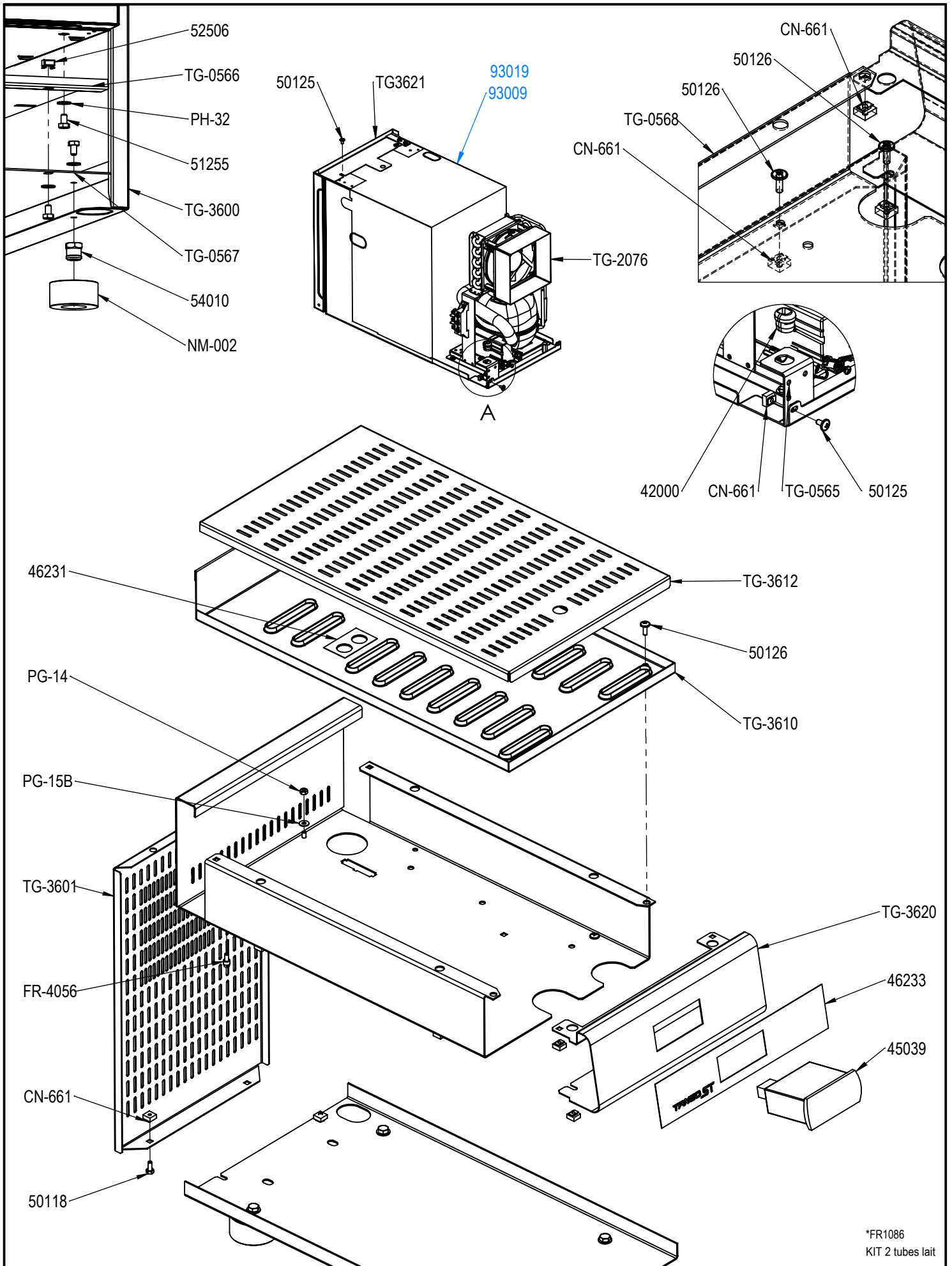


Tous les joints sont graissés (graisse silicone 8104)

All joints are greased (silicone grease 8104)

PLANCHE - PLATE 643

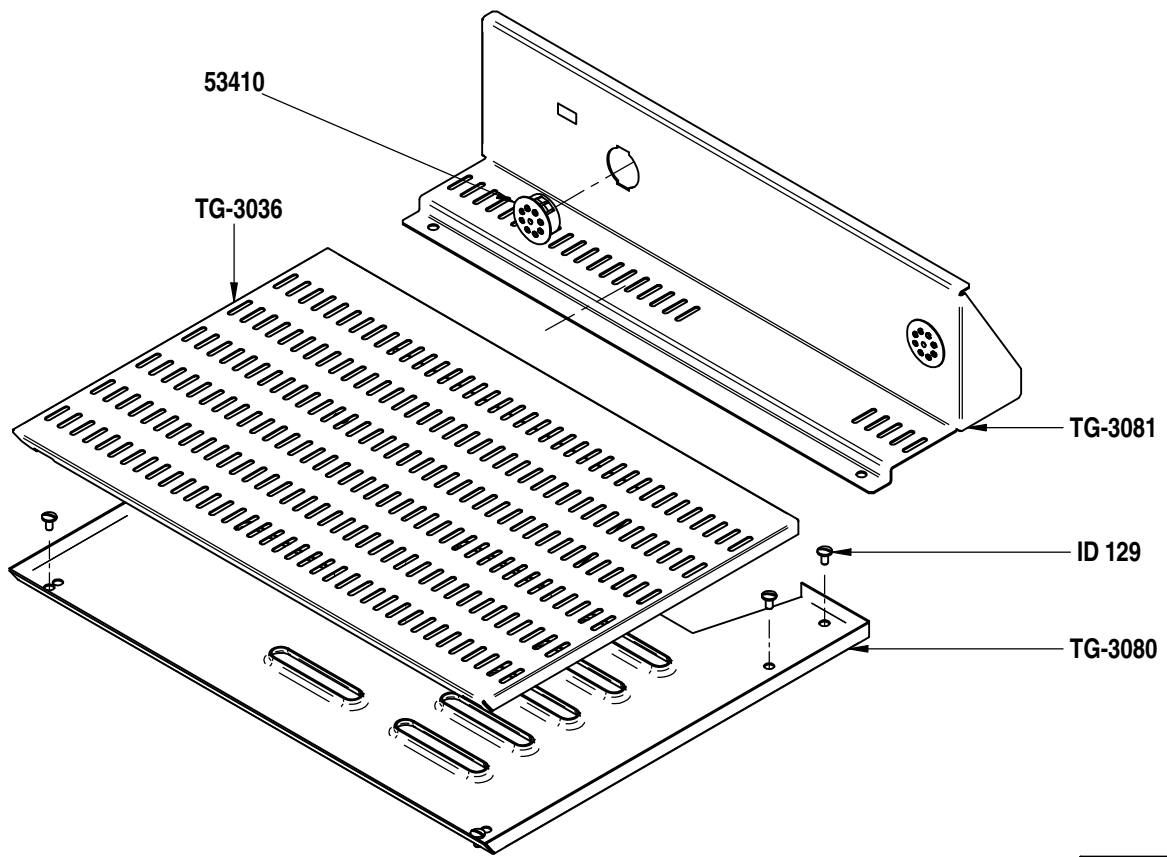
REF	DESIGNATIONS FR	DESIGNATIONS GB
42000	SERRE CABLE D:9 HEYCO	CABLE CLAMP
45039	BOITIER DE CONTRÔLE LED RGB	ELECTONIC BOX FOR LED RGB
46231	STICKER AIR ADJUSTMENT	STICKER AIR ADJUSTMENT
46233	STICKER CALANDRE MODULE	FRONT PANEL STICKER
50118	VIS TH M4X10 INOX	S.STEEL SCREW M4X10
50125	VIS TB CRUCIFORME A EMBASE M4 x 8	CRUCIFORM SCREW M4 x 8
50126	VIS TB CRUCIFORME A EMBASE M4 x 12	CRUCIFORM SCREW M4 x 12
51255	VIS TH M6 X 10 INOX	S. STEEL SCREW M6 X 10
52506	ECROU CAGE M6 X ep 1	INSERT NUT M6
54010	ECROU FIXATION PIED DIAM 50	SPECIAL NUT FOR FOOT
93009	FRIGO VITRIFRIGO 9 LITRES 220-240V	VITRIFRIGO 9 LITERS 220-240V
93019	FRIGO VITRIFRIGO 9 LITRES 115V	VITRIFRIGO 9 LITERS 115V
CN-661	ECROU CAGE M4, EP 1/1.6	INSERT NUT M4
FR1086	KIT 2 TUBES LAIT (DROIT & GAUCHE)	KIT 2 PIPES FOR MILK (RIGHT & LEFT)
FR4056	VIS SPECIAL COTE	SIDE SCREW
NM-002	PIED CAOUTCHOUC NOIR	FOOT
PG-14	ECROU M4	NUT M4
PG-15B	RONDELLE INOX 4.2X10X0.8	WASHER
PH-32	RONDELLE ACIER Zn 6,25x14x1,2	WASHER
TG-0565	SUPPORT CONNECTIQUE	CONNECTORS HOLDER
TG-0566	SUPPORT FG16	FRIDGE HOLDER
TG-0567	CHASSIS INFERIEUR FG16	LOWER CHASSIS
TG-0568	CHASSIS SUPERIEUR FG16	HIGH CHASSIS
TG-2076	TOLE CONDUIT VENTILATEUR	SHEET METAL FOR FAN
TG-3600	COTE D&G FG16	RIGHT & LEFT SIDE
TG-3601	HABILLAGE ARRIERE FG16	REAR CASING
TG-3610	CHAUFFE TASSES FG16	CUP WARMER
TG-3612	VERRIERE FG16	CUP RACK
TG-3620	CALANDRE FG16	FRONT PANEL
TG-3621	CORNIERE FG16	SHEET METAL CORNER



*FR1086
KIT 2 tubes lait

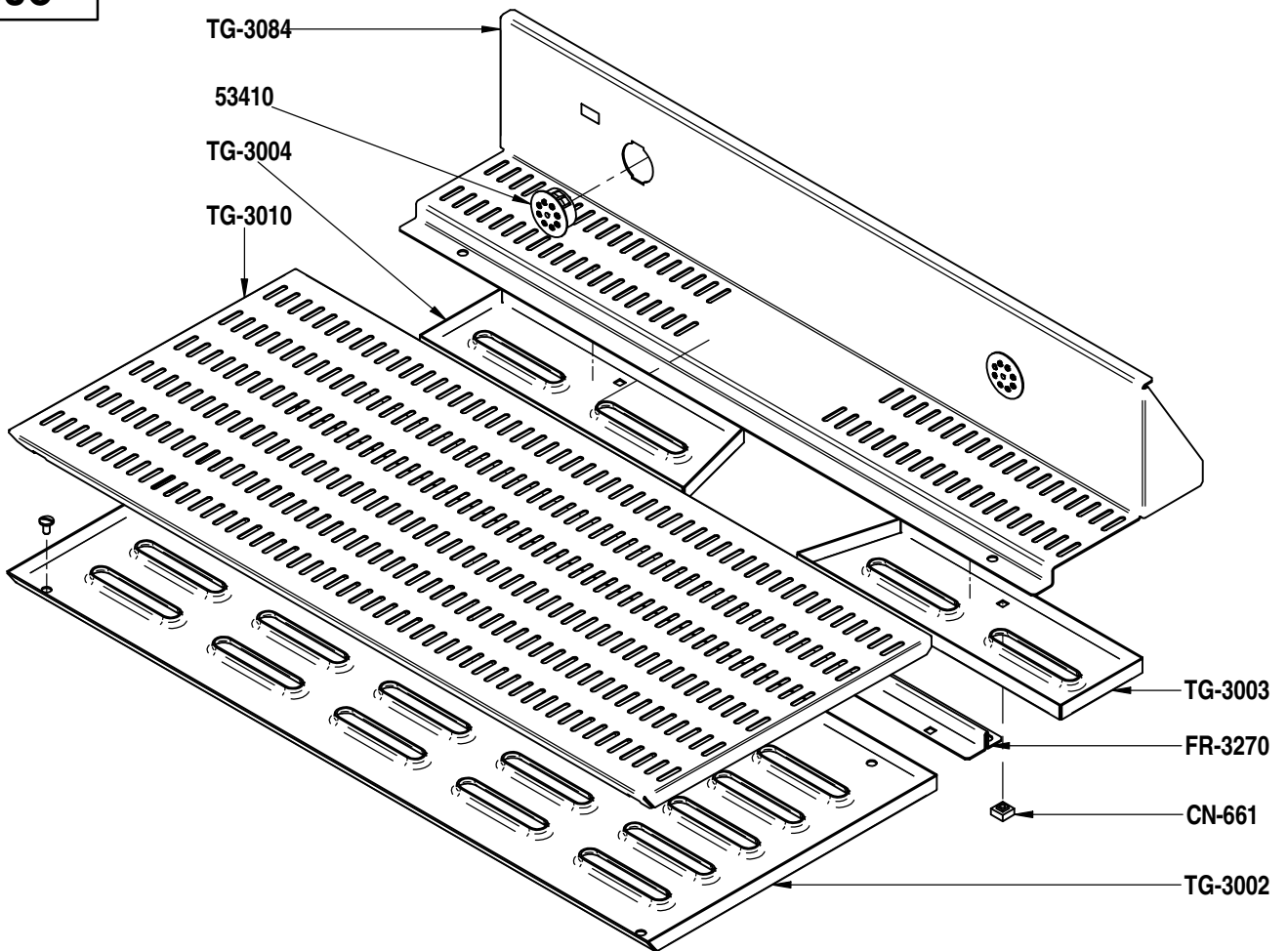
PLANCHE - PLATE 650

REF	DESIGNATIONS FR	DESIGNATIONS GB
53410	BOUCHON MOULIN DIA:25	<i>PLUG GRINDER</i>
CN-661	ECROU CAGE M4, EP 1/1.6	<i>INSERT NUT M4</i>
FR3270	TRAVERSE CHAUFFE TASSES	<i>CUP WARMER CROSS PIECE</i>
ID-129	VIS INOX POELIER VM 4 X 8	<i>SCREW 4 X 8</i>
TG-3002	CHAUFFE TASSES AV DUO	<i>DUO FRONT CUP WARMER</i>
TG-3003	CHAUFFE TASSES AR DROIT	<i>RIGHT BACK CUP WARMER</i>
TG-3004	CHAUFFE TASSES AR GAUCHE	<i>LEFT BACK CUP WARMER</i>
TG-3010	VERRIERE CHAUFFE TASSES AV	<i>FRONT CUP RACK</i>
TG-3036	VERRIERE CHAUFFE TASSES SANS BOITE DK	<i>CUP RACK WITHOUT DK BOX</i>
TG-3080	CHAUFFE TASSES AVANT SOLO ST	<i>CUP WARMER FOR SOLO ST</i>
TG-3081	PAROI CHAUFFE TASSES SOLO ST SS BOITE DK	<i>CUP WARMER SHEET WITHOUT DK BOX</i>
TG-3084	PAROI CHAUFFE TASSES DUO ST SS BOITE DK	<i>CUP WARMER SHEET WITHOUT DK BOX</i>



SOLO

DUO



04/18

CHAUFFE TASSES SANS BOITE DK
CUP WARMER WITHOUT DK BOX

UNIC

650

PLANCHE - PLATE 690

REF	DESIGNATIONS FR	DESIGNATIONS GB
12745	TUYAU TRANSMETAL D 16 X 22.2	<i>PIPE D16 X 22.2</i>
25306	TUBE FLEXIBLE C3/8F -3/4F	<i>FLEXIBLE PIPE</i>
54212	PICHET 2000 ML gradué, en polypropylène	<i>JUG 2000 ML gradual, in polypropylene</i>
92025	PASTILLES MACH. AUTOM. / 100 T	<i>TABLETS MACH. AUTOM. / 100 T</i>
92027	DETERGENT LIQUID ACID - LAIT 1000 ML	<i>LIQUID DETERGENT ACID - MILK 1000ML</i>
CN-1105	COLLIER DE SERRAGE 24 X 36	<i>CLAMP COLLAR 24 X 36</i>

