



TRADITIONAL COFFEE APPLIANCE MACHINE A CAFÉ TRADITIONNELLE

AURA

1XX HABILLAGE

101	VUE D'ENSEMBLE AURA TACTILE
110	HABILLAGE AURA
111	ENSEMBLE BASSINE & PIED
121	CALANDRE AURA

2XX SORTIES EXTÉRIEURES

201	ENSEMBLE TUBE & SORTIE VAPEUR (ROBINET)
202	ENSEMBLE TUBE & EV SORTIE VAPEUR
211	SORTIE VAPEUR INOX
220	SORTIE VAPEUR PTFE
230	SORTIE VAPEUR REGLABLE
240	SORTIE STEAMAIR
246	SORTIE CAPPUCCINO PAR ASPIRATION
251	TUBE, MITIGEUR & EV SORTIE EAU CHAUDE
261	SORTIE EAU CHAUDE
271	SORTIE EAU CHAUDE REGLABLE

3XX HYDRAULIQUE

302	CIRCUIT HYDRAULIQUE 2GR
303	CIRCUIT HYDRAULIQUE 3GR
320	POMPES 100L-200L
331	DOSEURS D'ALIMENTATION
332	NOURRICE D'ALIMENTATION
335	MANOMETRE
341	CHAUDIERE AURA
350	GROUPE CAFE MAESTRO (STANDARD) 24V
351	GROUPE CAFE MAESTRO (RL) 24V
352	GROUPE CAFE CREMA 24V

4XX CIRCUIT CAFÉ

494	PORTE FILTRE AVEC CAPTEUR
497	PORTE FILTRE AVEC RFID
498	PORTE FILTRE POIGNEE LONGUE

MACHINE CASING

AURA TOUCH OVERVIEW
AURA CASING
SET OVERFLOW TRAY & FEET
FRONT PANEL AURA

EXTERNAL OUPUT

SET TUBE & STEAM OUTLET (TAP)
SET TUBE & EV STEAM OUTLET
STEAM OUTLET STAINLESS STEEL
PTFE STEAM OUTLET
ADJUSTABLE STEAM OUTLET
STEAMAIR OUTLET
CAPPUCCINO OUTLET
PIPE, MIXER & EV HOT WATER OUTLET
HOT WATER OUTLET
ADJUSTABLE HOT WATER OUTLET

HYDRAULIC CIRCUIT

HYDRAULIC CIRCUIT 2GR
HYDRAULIC CIRCUIT 3GR
100L-200L PUMPS
WATER DOSING UNIT
WATER FEEDING UNIT
MANOMETER
AURA BOILER
MAESTRO (STANDARD) COFFEE GROUP 24V
MAESTRO (RL) COFFEE GROUP 24V
CREMA COFFEE GROUP 24V

COFFEE SYSTEM

FILTER HOLDER WITH SENSOR
FILTER HOLDER WITH RFID
FILTER HOLDER LONG HANDLE

5XX **ÉLECTRONIQUE**
500 COMPOSANTS ELECTRIQUES
501 CONNECTEURS & FUSIBLES CARTE MERE
502 LISTES DES CABLES

ELECTRONIC SYSTEM
ELECTRICAL COMPONENTS
MOTHERBOARD CONNECTORS & FUSES
ELECTRICAL WIRES LISTING

6XX **OPTION/KIT**

OPTION/KIT

PLANCHE - PLATE 101

REF	ELUX	DESIGNATIONS FR	DESIGNATIONS GB
AU7001		LOGO ARRIERE AURA	REAR AURA LOGO
43403		INTERRUPTEUR ON OFF	ON OFF SWITCH
46228		STICKER COMMUTATEUR AURA	STICKER FOR COMMUTATOR
46258	0UNBXP	LOGO ELECTROLUX METAFLEX NOIR 50MM	50MM BLACK METAFLEX ELECTROLUX LOGO
46261		LOGO ELECTROLUX METAFLEX NOIR 70MM	70MM BLACK METAFLEX ELECTROLUX LOGO
46277		AUTOCOLLANT AURA TACTILE	STICKER AURA

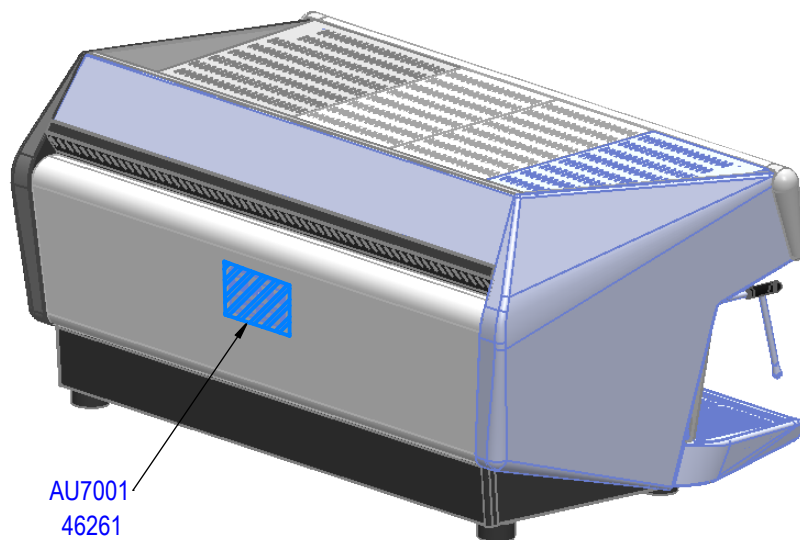
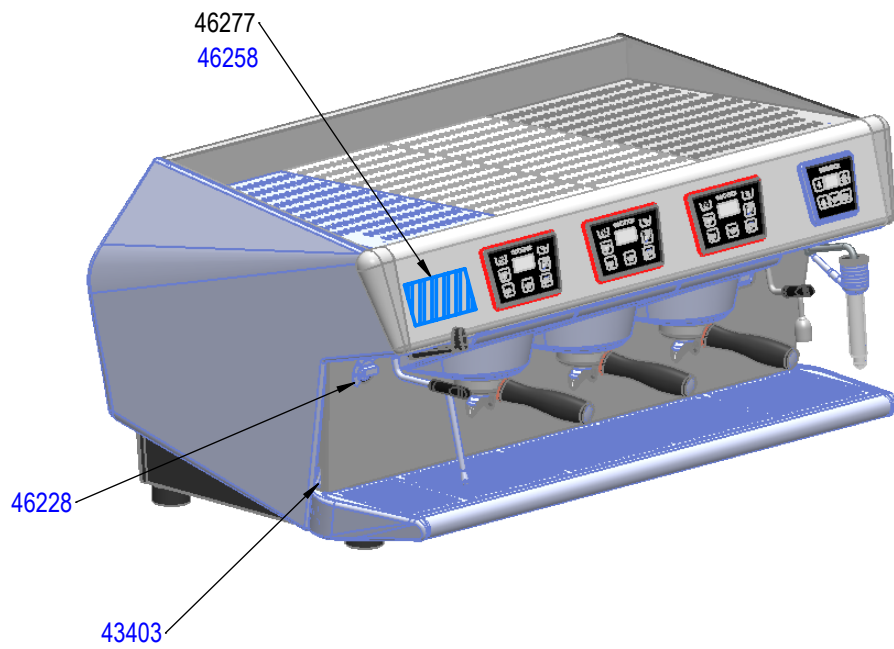


PLANCHE - PLATE 110

REF	ELUX	DESIGNATIONS FR	DESIGNATIONS GB
28904	0UN329	RESSORT ELASTOMERE	RUBBER SPRING
50118	0UNA64	VIS TH M4X10 INOX	S.STEEL SCREW M4X10
50120	0UN757	VIS TC M4X35 INOX	S.STEEL SCREW M4X35
50125	0UNA68	VIS TB CRUCIFORME A EMBASE M4 x 8	CRUCIFORM SCREW M4 x 8
50126	0UN615	VIS TB CRUCIFORME A EMBASE M4 x 12	CRUCIFORM SCREW M4 x 12
50215	0UN441	VIS EPAULEE COTE	SIDE SCREW
51100	0UNA5V	ECROU M5 INOX	NUT M5
51552	0UN616	RONDELLE INOX 4.25x14x0.8	S..STEEL WASHER 4.25x14x0.8
52514	0UN037	ECROU RAPIDE M4 EP:2	NUT M4
60002	0UN445	DOUILLE RESSORT ELASTOMERE	RUBBER SPRING SOCKET
AU3012		DEVANT AURA 2GR	2 UNITS AURA FRONT SHEET
AU3013		DEVANT AURA 3GR	3 UNITS AURA FRONT SHEET
AU7000		CACHE GROUPE	UNIT COVER
AU7005		CACHE GROUPE LED	LED UNIT COVER
CN2660		JOINT TORIQUE 1.78X6.75 EPDM	O-RING 1,78X6,75 EPDM
DV164		JOINT POUR JUPETTE NSF	GASKET COVER
DV165	0UNBXF	JOINT POUR JUPETTE NSF CAPTEUR	GASKET COVER SENSOR
NZ1400	0UNBM9	COTE GAUCHE STELLA MONTE	COMPLET LEFT SIDE STELLA
NZ1401	0UNBNA	COTE DROIT STELLA MONTE	COMPLET RIGHT SIDE STELLA
NZ3007	0UNBY3	VERRIERE GAUCHE	LEFT CUP RACK
NZ3008	0UNBY4	VERRIERE DROITE	RIGHT CUP RACK
NZ3009	0UNBY5	VERRIERE MODULE	MIDDLE CUP RACK
NZ3015		COTE GAUCHE CHAUFFE TASSES	LEFT SIDE CUP WARMER
NZ3016		COTE DROIT CHAUFFE TASSES	RIGHT SIDE CUP WARMER
NZ3020		CHAUFFE TASSES 2GR	CUP WARMER 2 UNITS
NZ3021		CHEMISE 2GR	REAR CASING 2 UNITS
NZ3026		ARRIERE CHAUFFE TASSES 2GR	CUP WARMER BACK 2 UNITS
NZ3030		CHAUFFE TASSES 3GR	CUP WARMER 3 UNITS
NZ3031	0UNBPI	CHEMISE 3GR	REAR CASING 3 UNITS
NZ3036	0UNBNE	ARRIERE CHAUFFE TASSES 3GR	CUP WARMER BACK 3 UNITS
NZ7005	0UNBNO	COTE GAUCHE	LEFT SIDE
NZ7006	0UNBNP	COTE DROIT	RIGHT SIDE
NZ7007		CACHE ELECTROVANNE	ELECTROVALVE COVER
NZ7008		CACHE ROBINET	TAP COVER
NZ8054	0UN070	CABLE LED GROUPE	LED UNIT CABLE
PE59	0UN201	VIS TCHC M4x10 INOX	SCREW 4 X 10
PG15B	0UNA3S	RONDELLE INOX 4.2X10X0.8	WASHER

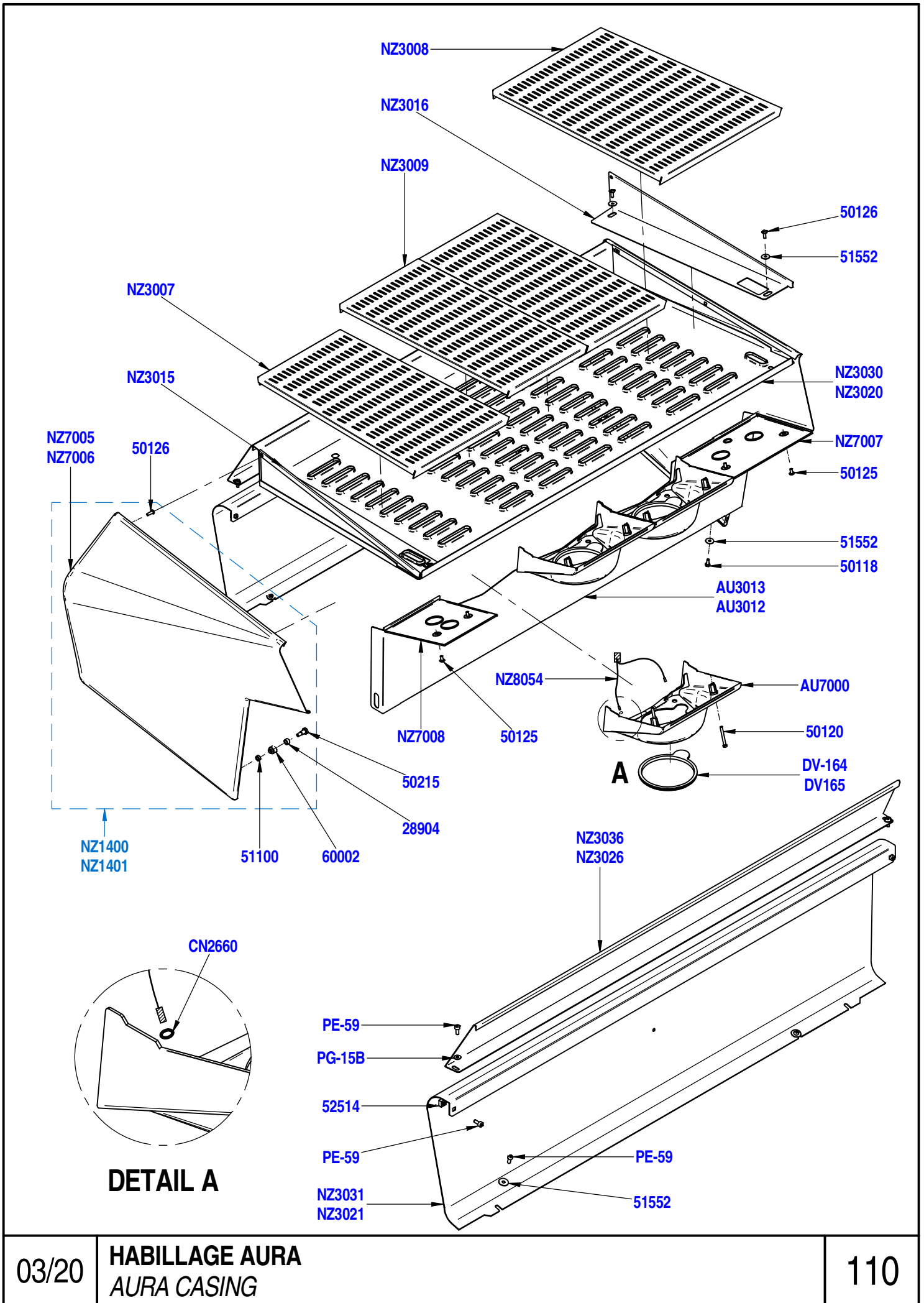


PLANCHE - PLATE 111

REF	ELUX	DESIGNATIONS FR	DESIGNATIONS GB
45939	0UN282	ADHESIF PIED MACHINE	STICKER FOOT
50402	0UNBVJ	VIS TCHC TETE BASSE M8X16 INOX	S.STEEL SCREW M8 X 16
54000		PIED REGLABLE 71/79 VIS M8X15	ADJUSTABLE FOOT
54004		KIT PIED REGLABLE 71/79 VIS M8X15	KIT ADJUSTABLE FOOT
CN325	0UN284	VIS INOX TC 4 x 6	SCREW M4 X 6
DO195	0UNA1L	VIS ACIER INOX TC 4 X 12	SCREW M4 X 12
DV4030	0UN443	PIED ALU H30	FOOT H30
NM002	0UN502	PIED CAOUTCHOUC NOIR	FOOT
NM1068	0UN449	KIT 4 PIEDS ALU H30	HIGH FEET KIT
NM1069	0UN959	KIT 4 PIEDS ALU H44,5	HIGH FEET KIT
NM-236	0UN371	PIED ALU D50 H44.5	FOOT H44.5
NZ2017		SUPPORT VIDANGE	DRAIN SUPPORT
NZ2026	0UNBNB	GRILLE DE BASSINE 2GR	2 UNITS OVERFLOW TRAY GRID
NZ2032		SUPPORT GRILLES DE BASSINE 2GR	GRID SUPPORT 2 UNITS
NZ2033		SUPPORT GRILLES DE BASSINE 3GR	GRID SUPPORT 3 UNITS
NZ2036		GRILLE DE BASSINE 3GR	3 UNITS OVERFLOW TRAY GRID
NZ2054		GRILLE DE BASSINE GAUCHE	LEFT OVERFLOW TRAY GRID
NZ2055		GRILLE DE BASSINE DROITE	RIGHT OVERFLOW TRAY GRID
NZ3023		BASSINE 2GR	2 UNITS OVERFLOW TRAY
NZ3033		BASSINE 3GR	3 UNITS OVERFLOW TRAY
NZ4002		ECROU MOLETE M6	NUT M6
NZ7000		JOUE DE BASSINE GAUCHE	LEFT ORNAMENTAL OVERFLOW
NZ7002		JOUE DE BASSINE DROITE	RIGHT ORNAMENTAL OVERFLOW
NZ7024	0UN315	PATIN PIED ARRIERE	REAR RUBBER FOOT
PG15B	0UNA3S	RONDELLE INOX 4.2X10X0.8	WASHER

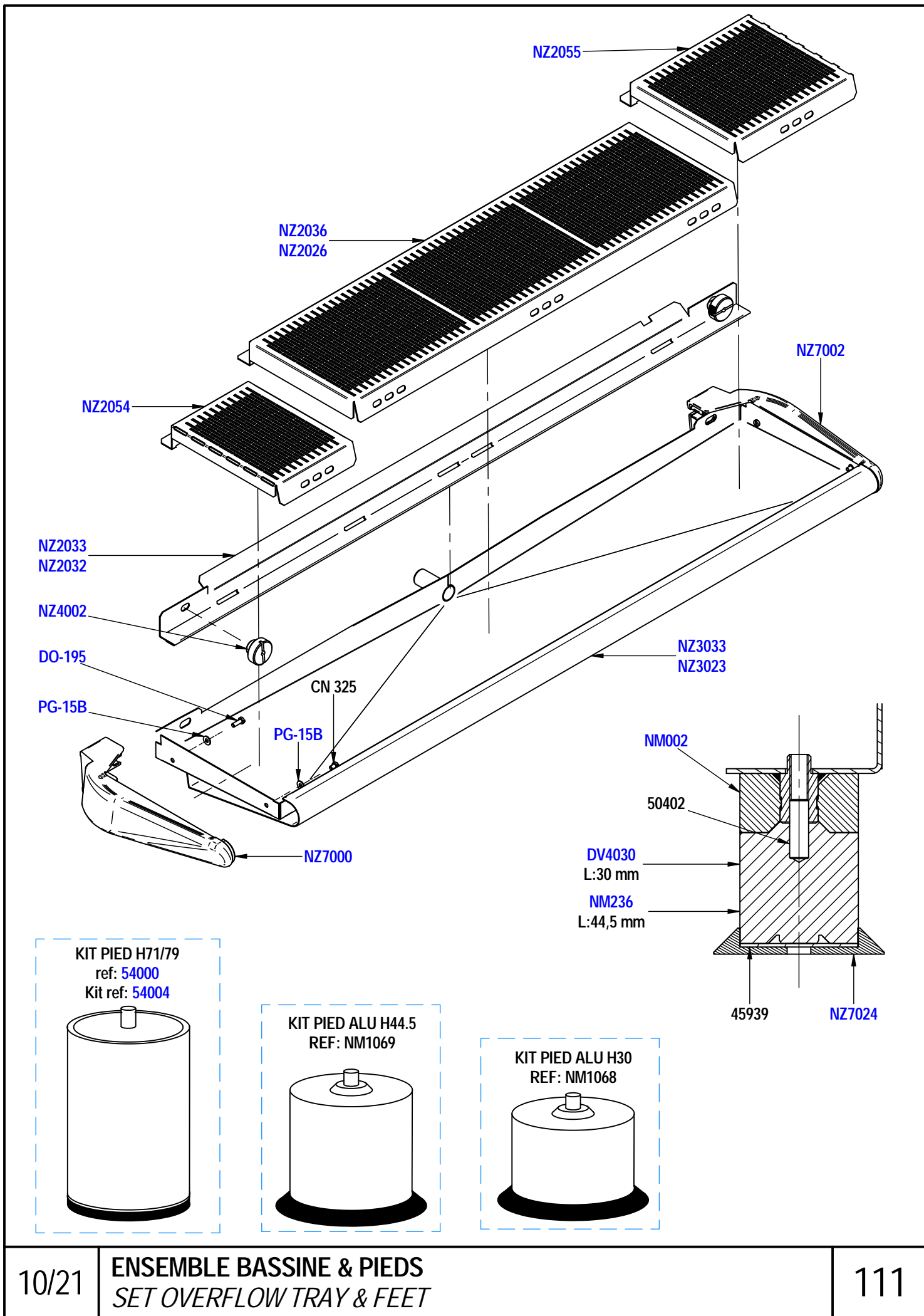


PLANCHE - PLATE 121

REF	ELUX	DESIGNATIONS FR	DESIGNATIONS GB
28904	0UN329	RESSORT ELASTOMERE	RUBBER SPRING
45152	0UN108	BOITIER DOSAMAT	DOSAMAT ELECTRONIC BOX
45153	0UN089	BOITIER 2 TASSES	2 CUPS ELECTRONIC BOX
45154	0UN043	BST EAU CHAUDE / VAPEUR	HOT WATER / STEAM ELECTRONIC BOX
45155	0UN069	BST EAU CHAUDE / STEAMAIR	HOT WATER / STEAMAIR ELECTRONIC BOX
45173	0UNBXH	BOITIER DOSAMAT SANS LOGO	DOSAMAT ELECTRONIC BOX WITHOUT LOGO
45174		BOITIER 2 TASSES SANS LOGO	2 CUPS ELECTRONIC BOX WITHOUT LOGO
45175		BST EAU CHAUDE / VAPEUR SANS LOGO	HOT WATER / STEAM BOX WITHOUT LOGO
45176	0UNBXI	BST EAU CHAUDE / STEAMAIR SANS LOGO	HOT WATER / STEAMAIR BOX WITHOUT LOGO
50144	0UN682	VIS TH M4 X 12 INOX	S.STEEL SCREW M4X12
50215	0UN441	VIS EPAULEE COTE	SIDE SCREW
51100	0UNA5V	ECROU M5 INOX	NUT M5
60002	0UN445	DOUILLE RESSORT ELASTOMERE	RUBBER SPRING SOCKET
AU2000	0UNBXG	FIXATION REVERSIBLE POUR ENJOLIVEUR	REVERSIBLE FIXING FOR ORNAMENTAL EAR
AU3050		CALANDRE AURA TACTILE 2GR 2021	2 UNITS AURA FRONT PANEL
AU3051		CALANDRE AURA TACTILE 3GR 2021	3 UNITS AURA FRONT PANEL
AU3052		CALANDRE AURA TACTILE 2GR 2021 ELUX	2 UNITS AURA FRONT PANEL for ELUX
AU3053		CALANDRE AURA TACTILE 3GR 2021 ELUX	3 UNITS AURA FRONT PANEL for ELUX
NZ7010	0UNBXB	ENJOLIVEUR GAUCHE	LEFT ORNAMENTAL
NZ7012	0UNBXC	ENJOLIVEUR DROIT	RIGHT ORNAMENTAL
AU1100		KIT CALANDRE AURA 2 D2 EAU CHAUDE	KIT FRONT PANEL AURA 2 D2 HOT WATER
AU1103		KIT CALANDRE AURA 2 D2 EAU CHAUDE ELUX	KIT FRONT PANEL AURA 2 D2 HOT WATER ELUX
AU1105		KIT CALANDRE AURA 2 DOS. EAU CHAUDE	KIT FRONT PANEL AURA 2 DOS. HOT WATER
AU1108		KIT CALANDRE AURA 2 DOS. EAU CHAUDE ELUX	KIT FRONT PANEL AURA 2 DOS. HOT WATER ELUX
AU1110		KIT CALANDRE AURA 3 D2 EAU CHAUDE	KIT FRONT PANEL AURA 3 D2 HOT WATER
AU1113		KIT CALANDRE AURA 3 D2 EAU CHAUDE ELUX	KIT FRONT PANEL AURA 3 D2 HOT WATER ELUX
AU1115		KIT CALANDRE AURA 3 DOS. EAU CHAUDE	KIT FRONT PANEL AURA 3 DOS. HOT WATER
AU1118		KIT CALANDRE AURA 3 DOS. EAU CHAUDE ELUX	KIT FRONT PANEL AURA 3 DOS. HOT WATER ELUX
AU1120		KIT CALANDRE AURA 2 D2 STEAMAIR	KIT FRONT PANEL AURA 2 D2 STEAMAIR
AU1123		KIT CALANDRE AURA 2 D2 STEAMAIR ELUX	KIT FRONT PANEL AURA 2 D2 STEAMAIR ELUX
AU1125		KIT CALANDRE AURA 2 DOS. STEAMAIR	KIT FRONT PANEL AURA 2 DOS. STEAMAIR
AU1128		KIT CALANDRE AURA 2 DOS. STEAMAIR ELUX	KIT FRONT PANEL AURA 2 DOS. STEAMAIR ELUX
AU1130		KIT CALANDRE AURA 3 D2 STEAMAIR	KIT FRONT PANEL AURA 3 D2 STEAMAIR
AU1133		KIT CALANDRE AURA 3 D2 STEAMAIR ELUX	KIT FRONT PANEL AURA 3 D2 STEAMAIR ELUX
AU1135		KIT CALANDRE AURA 3 DOS. STEAMAIR	KIT FRONT PANEL AURA 3 DOS. STEAMAIR
AU1138		KIT CALANDRE AURA 3 DOS. STEAMAIR ELUX	KIT FRONT PANEL AURA 3 DOS. STEAMAIR ELUX

Nouveau montage pour toutes les machines de la gamme,
attention l'ancien montage n'est plus produit depuis mars 2021.

*New mounting for all the range,
caution the old mounting he is not anymore produce since march 2021.*

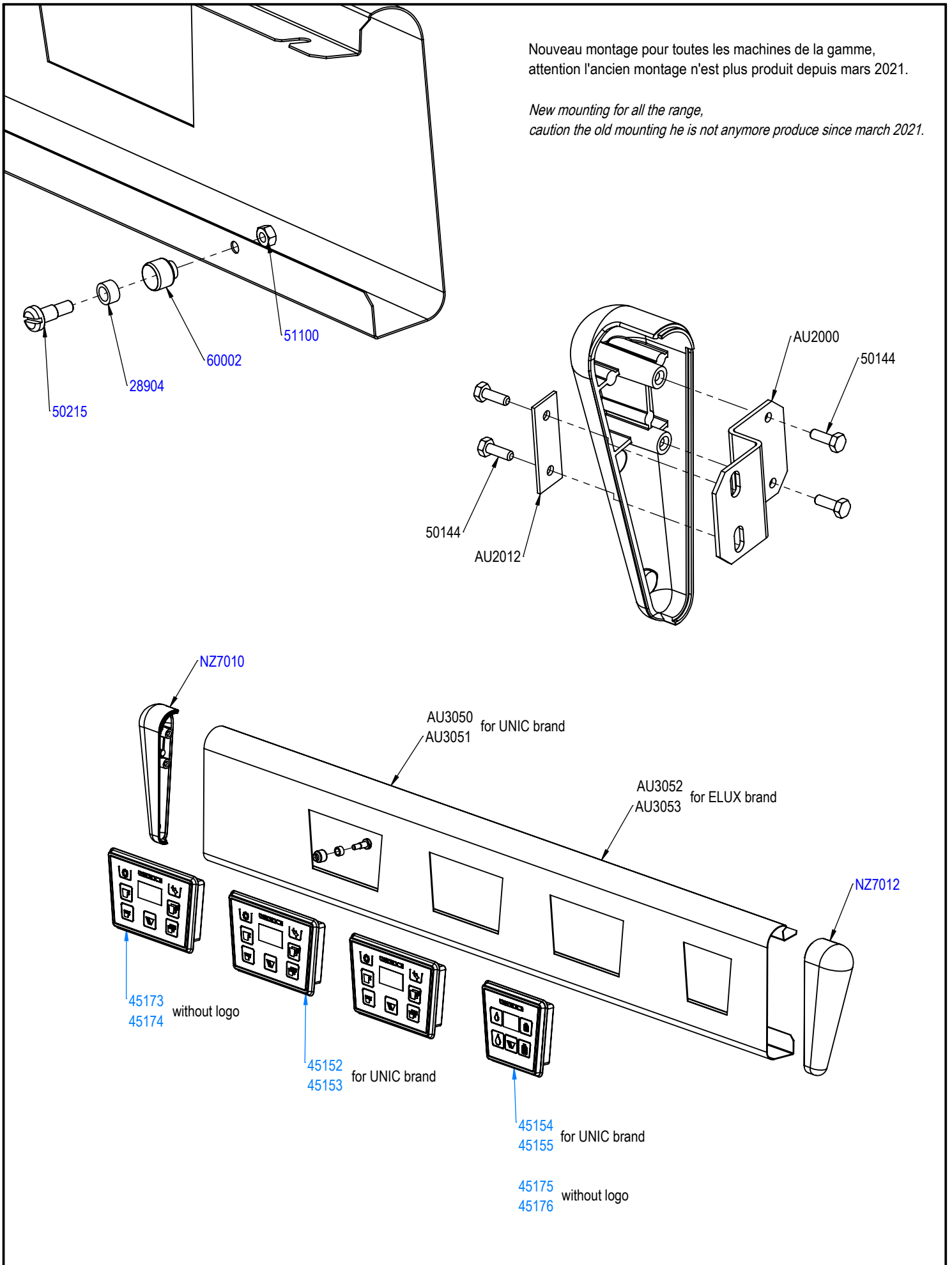


PLANCHE - PLATE 201

REF	ELUX	DESIGNATIONS FR	DESIGNATIONS GB
21100	0UN994	BOUCHON 1/8	PLUG 1/8
25915	0UN531	CACHE SORTIE EAU VAPEUR	COVER OUTLET STEAM WATER
25925	0UNBHW	CARTOUCHE CERAMIQUE	CERAMIC CARTRIDGE
AG14	0UN176	JOINT CUIVRE M12	COPPER GASKET
CN489E	0UNBLN	VIS INOX CHC 4 x 16 A EMBASE	SCREW M4 X 16 WITH BASE
DV170	0UN645	ECROU CHROME	NUT 3/8
NZ1010		DOUBLE COMMANDE	DUAL COMMAND
NZ1014	0UNBG3	ROBINET VAPEUR COMPLET	STEAM TAP KIT
NZ4004		ROBINET VAPEUR	STEAM TAP
NZ4013		PALIER ROBINET VAPEUR	STEAM TAP COVER
NZ4014	0UNBNK	INSERT POIGNEE ROBINET	STEAM HANDLE INSERT
NZ7003	0UNBNN	POIGNEE VAPEUR	STEAM HANDLE
PA43	0UN199	RESSORT F15/10 L14,5 D10,5 P3	SPRING
PH54	0UN133	JOINT TORIQUE 2,62X13,95 EPDM	O RING - 13.95 x 2.62
PH78	0UN202	JOINT TORIQUE 2,62X9,13 EPDM	O RING - 9.13 X 2,62
RR67	0UN210	EMBOUIT LAITON	BRASS END

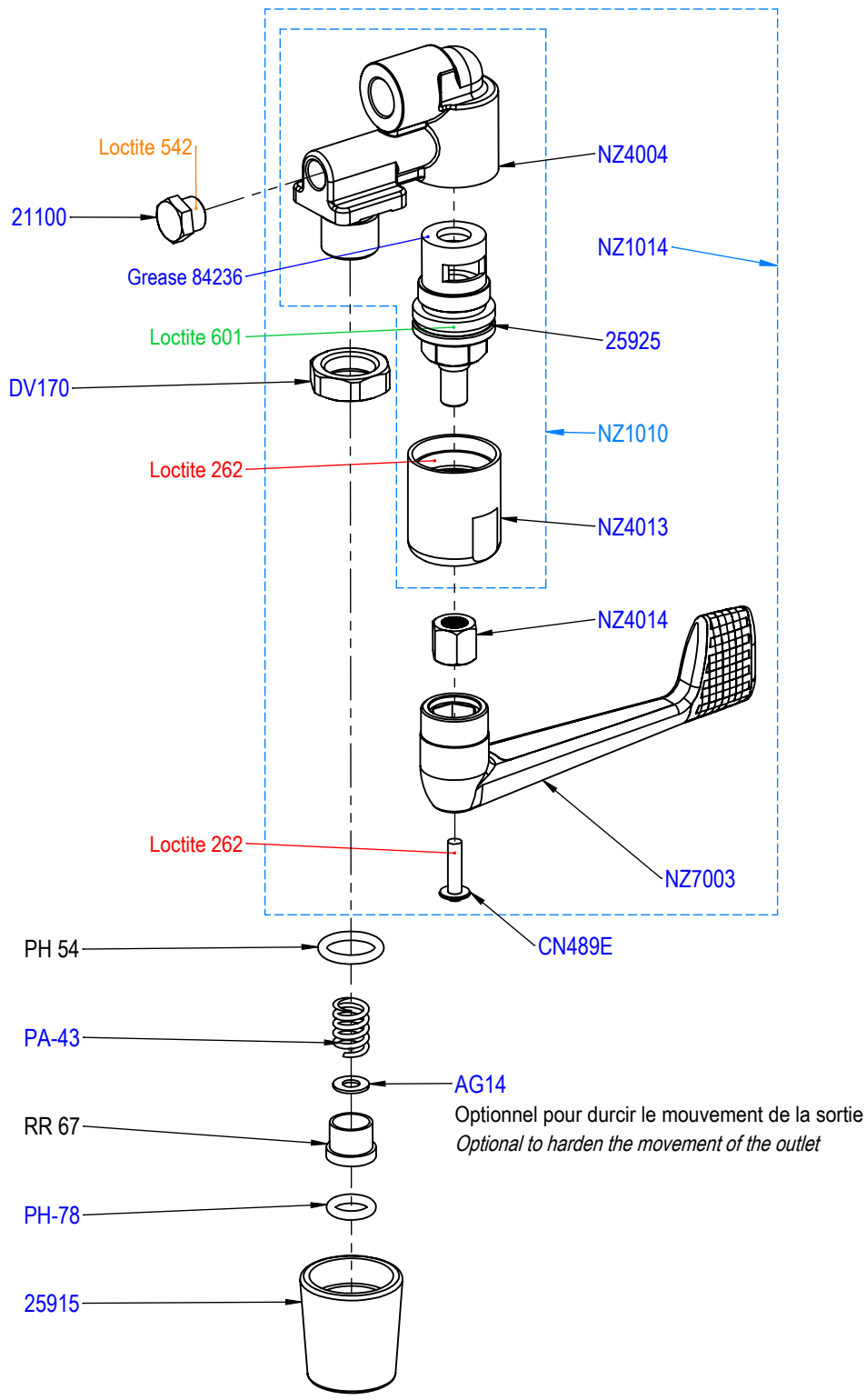
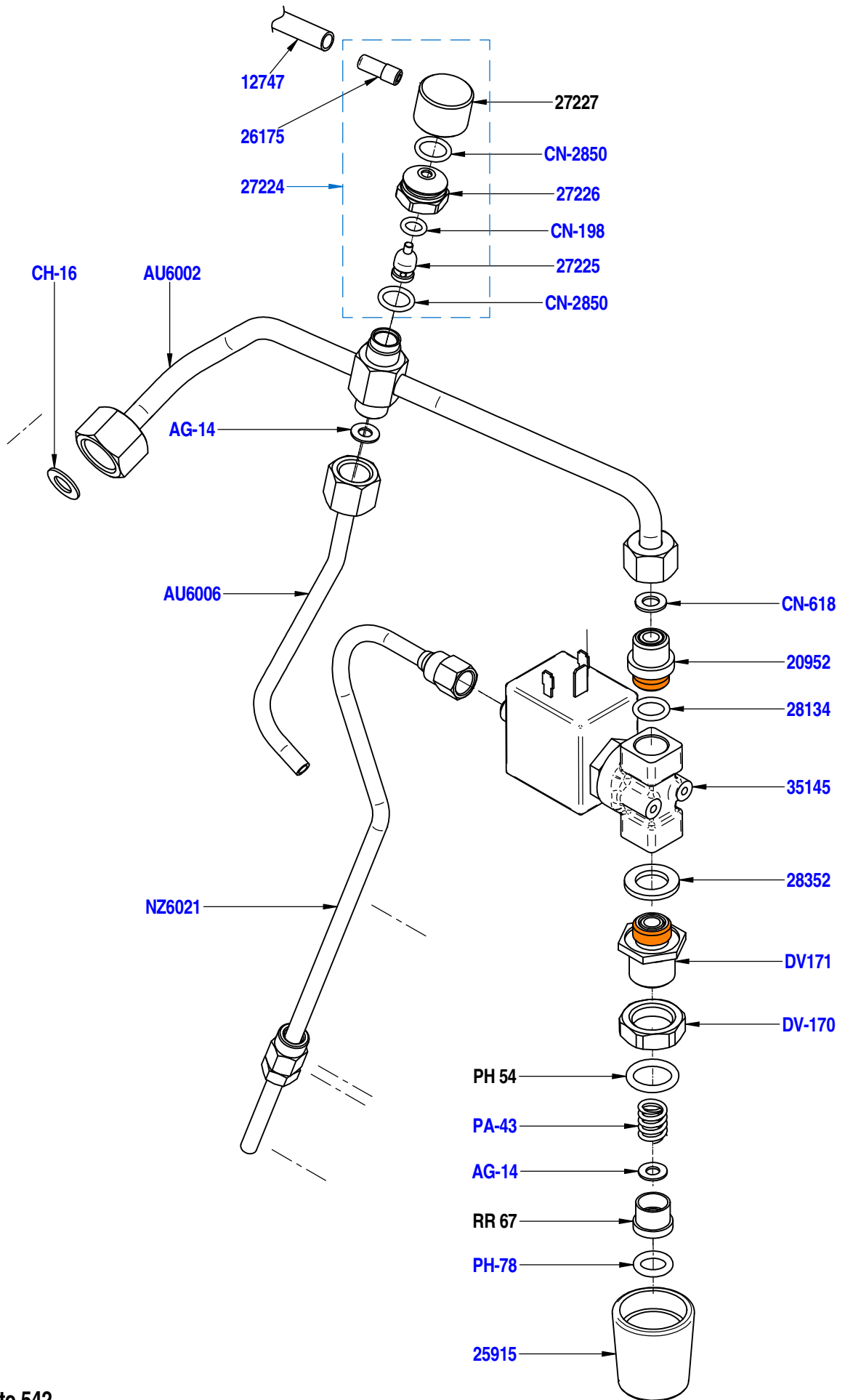


PLANCHE - PLATE 202

REF	ELUX	DESIGNATIONS FR	DESIGNATIONS GB
12747	0UN405	TUBE SILICONE SOUPLE 4 - 7	<i>FLEXIBLE SILICONE PIPE 4 - 7</i>
20952	0UN934	RACCORD 1/4 MALE	<i>FITTING 1/4 M</i>
25915	0UN531	CACHE SORTIE EAU VAPEUR	<i>COVER OUTLET STEAM WATER</i>
26175	0UN483	EMBOUT M6	<i>M6 NOZZLE</i>
27224	0UN156	KIT VALVE DE PURGE	<i>VACCUM VALVE KIT</i>
27225	0UN556	TIGE VALVE SPHERIQUE	<i>SPHERICAL ROD</i>
27226	0UN491	ECROU VALVE DE PURGE	<i>VACCUM VALVE NUT</i>
27227	0UN432	CABOCHON VALVE DE PURGE	<i>STOPPER PURGE VALVE</i>
28134	0UN019	JOINT TORIQUE 2X9,5 NEXUS	<i>O RING 2X9,5</i>
28352	0UN017	JOINT PLAT 20X12X2 EPDM 70SH	<i>GASKET 20X12X2</i>
35145	0UN654	ELECTROVANNE 3/2 24V-50/60 NICKELÉE	<i>ELECTROVALVE 3/2 24V-50/60 NICKEL-PLATED</i>
AG14	0UN176	JOINT CUIVRE M12	<i>COPPER GASKET</i>
AU6002		TUBE EV VAPEUR	<i>STEAM ELECTROVALVE PIPE</i>
AU6006		TUBE MANOMETRE BP	<i>MANOMETER LP PIPE</i>
CH16	0UN177	JOINT CUIVRE RECUIT 3/8	<i>WASHER - COPPER - 3/8</i>
CN198	0UN178	JOINT TORIQUE 1,78X6,07 FKM	<i>GASKET - 6.07 x 1.78</i>
CN2850	0UN180	JOINT TORIQUE 1,78X10,82	<i>GASKET 10.82x1.78</i>
CN618	0UN181	JOINT CUIVRE 1/4	<i>GASKET - 1/4</i>
DV170	0UN645	ECROU CHROME	<i>NUT 3/8</i>
DV171	0UN498	RACCORD 3/8-1/4	<i>FITTING 3/8</i>
NZ6021		TUBE RILSAN EV 3V STELLA	<i>DRAIN TUBE EV 3W STELLA</i>
PA43	0UN199	RESSORT F15/10 L14,5 D10,5 P3	<i>SPRING</i>
PH54	0UN133	JOINT TORIQUE 2,62X13,95 EPDM	<i>O RING - 13.95 x 2.62</i>
PH78	0UN202	JOINT TORIQUE 2,62X9,13 EPDM	<i>O RING - 9,13 X 2,62</i>
RR67	0UN210	EMBOUT LAITON	<i>BRASS END</i>



 Loctite 542

PLANCHE - PLATE 211

REF	ELUX	DESIGNATIONS FR	DESIGNATIONS GB
25902	0UNBG2	SORTIE VAPEUR STELLA INOX	STELLA S.STEEL STEAM OUTLET
25910	0UN523	POIGNEE SORTIE EAU CHAUDE ET VAPEUR	HOT WATER AND STEAM OUTLET HANDLE
25911	0UN543	BAGUE POUR POIGNEE EAU ET VAPEUR	WATER AND STEAM HANDLE COLLAR
25934		BRISE JET VAPEUR M6.75x0.75	BREEZE JET STEAM M6.75x0.75

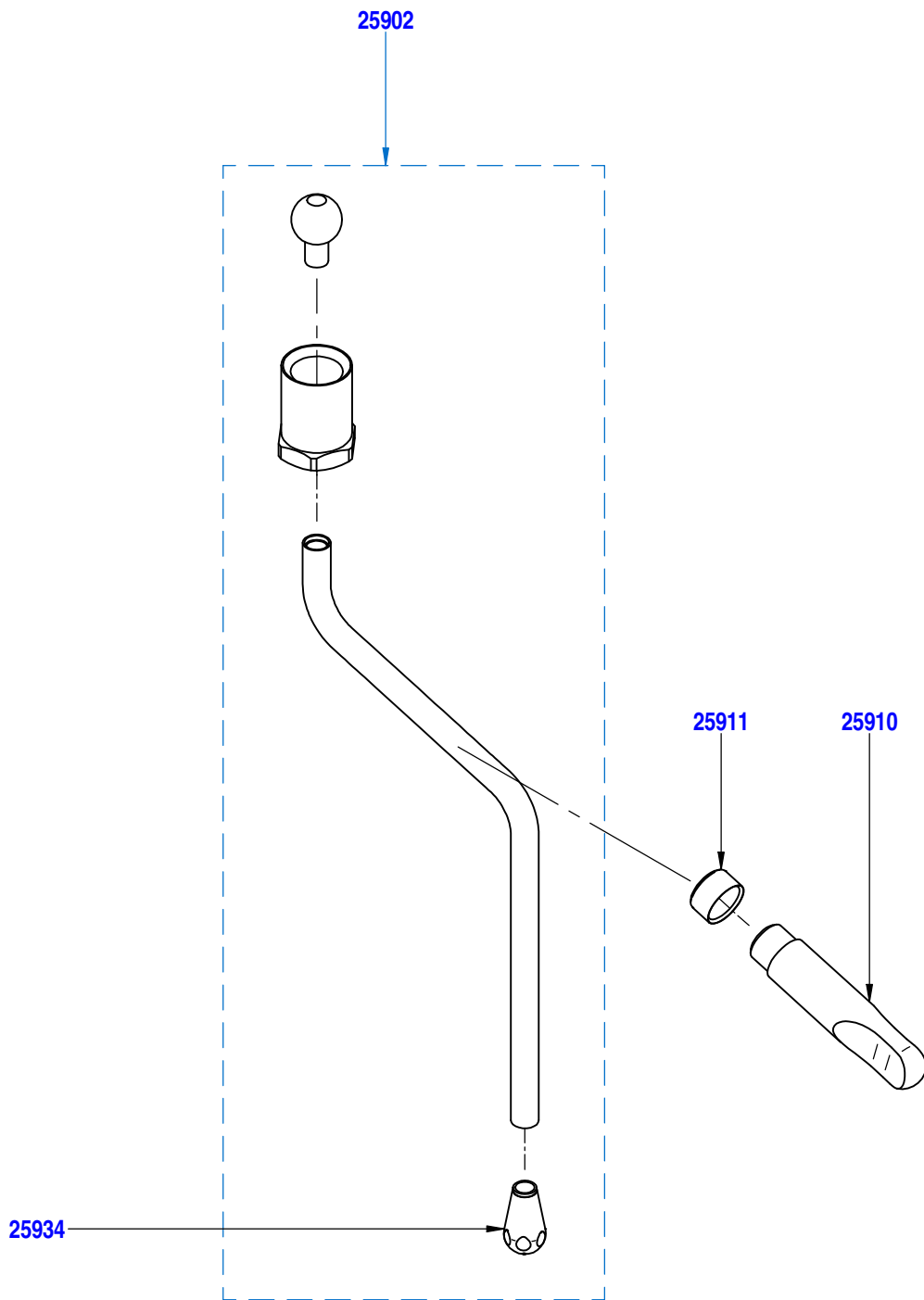
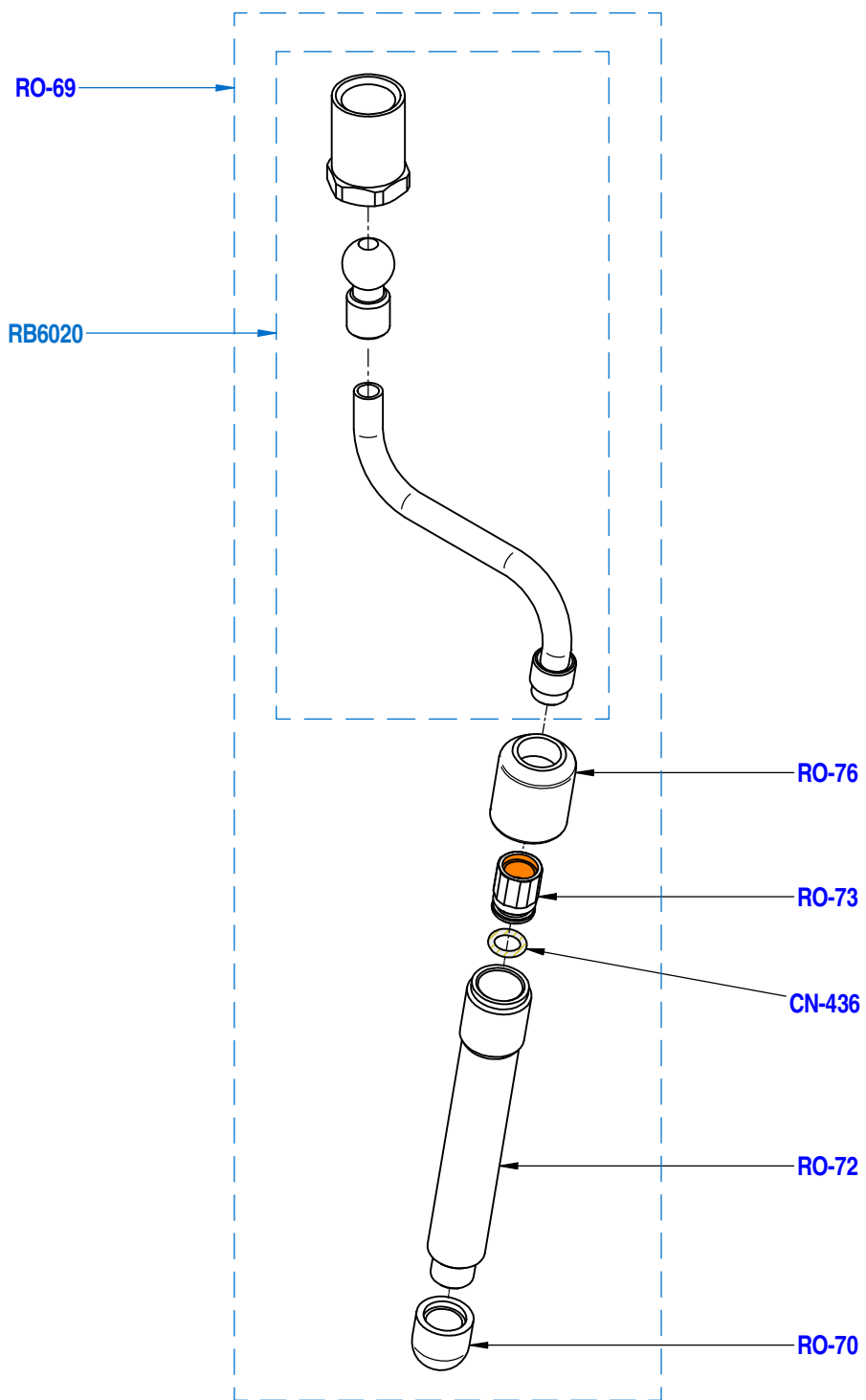


PLANCHE - PLATE 220

REF	ELUX	DESIGNATIONS FR	DESIGNATIONS GB
CN436	0UN145	JOINT TORIQUE 1,78X8,73 EPDM	GASKET 8,73 X 1,78
RB6020		TUBE CHROME SORTIE VAPEUR NSF	STEAM OUTLET PIPE
RO69		SORTIE VAPEUR TEFLON	TEFLON STEAM SPOUT
RO70		EMBOUT VAPEUR TEFLON 6 TROUS	LOW TEFLON PIPE
RO72		TUBE TEFLON	PIPE TEFLON
RO73		RACCORD SORTIE VAPEUR	FITTING STEAM OUTLET
RO76		BAGUE SORTIE VAPEUR	FITTING PLASTIC



 Graisse 8104

 Loctite 542

PLANCHE - PLATE 230

REF	ELUX	DESIGNATIONS FR	DESIGNATIONS GB
23119	0UN313	GICLUR DIAM:0,9	GICLUER DIAM. 0.9
25708	0UN999	RACCORD SORTIE DEBIT REGLABLE	ADJUSTABLE OUTLET FITTING
25710	0UN988	MOLETTE POUR SORTIE DEBIT REGLABLE	ADJUSTABLE OUTLET TOOTHED WHEEL
25728		TUBE SORTIE EAU CHAUDE INOX	HOT WATER OUTLET PIPE
25900		BRISE JET BOULE POUR IRISH	ANTI PLASH BALL FOR IRISH
25910	0UN523	POIGNEE SORTIE EAU CHAUDE ET VAPEUR	HOT WATER AND STEAM OUTLET HANDLE
25911	0UN543	BAGUE POUR POIGNEE EAU ET VAPEUR	WATER AND STEAM HANDLE COLLAR
25921		RALLONGE SORTIE IRISH	IRISH OUTLET EXTENSION
25922		EMBOUT SORTIE IRISH DEBIT REGLABLE	ADJUSTABLE FLOW IRISH NOZZLE
46028	0UN276	AUTOCOLLANT SORTIES REGLABLES	ADJUSTABLE OUTLET STICKER
CN436	0UN145	JOINT TORIQUE 1,78X8,73 EPDM	GASKET 8,73 X 1,78
DV1025		SORTIE VAPEUR DEBIT REGLABLE	ADJUSTABLE FLOW STEAM OUTLET

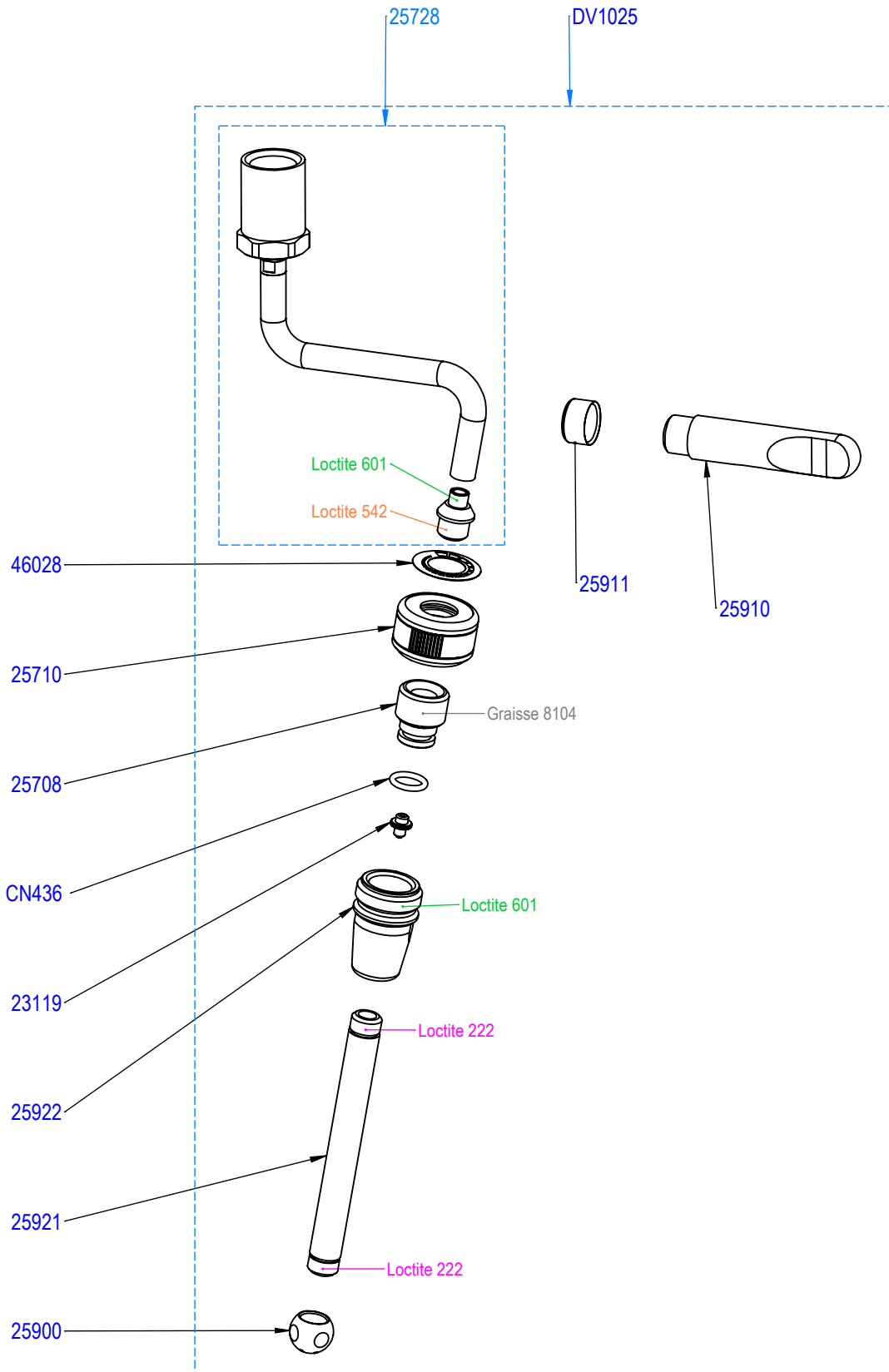


PLANCHE - PLATE 240

REF	ELUX	DESIGNATIONS FR	DESIGNATIONS GB
25905		SUPPORT DE SONDE	PROBE SUPPORT
25907	0UN919	TUBE PTFE STEAMAIR	PTFE STEAMAIR PIPE
25909	0UN154	EMBOUT PTFE 12 TROUS	12 HOLES END PIPE
34405	0UN112	SONDE VAPEUR THERMOSTATEE	THERMOSTATED STEAM PROBE
CN436	0UN145	JOINT TORIQUE 1,78X8,73 EPDM	GASKET 8,73 X 1,78
DV1015		SORTIE STEAMAIR	STEAMAIR OUTLET
PC38	0UN200	VIS STHC M5X8 BOUT POINTU	POINT END SCREW
RO55	0UN420	BARILLET	BARREL
RO57	0UN951	MELANGEUR EN LAITON	MIXER
RO58	0UN209	POUSSOIR A BILLE	THRUST BALL BEARING
RO59A		TUBE SORTIE VAPEUR SP	CHROME COPPER TUBE
RO68	0UNA01	CACHE BARILLET	BARREL COVER

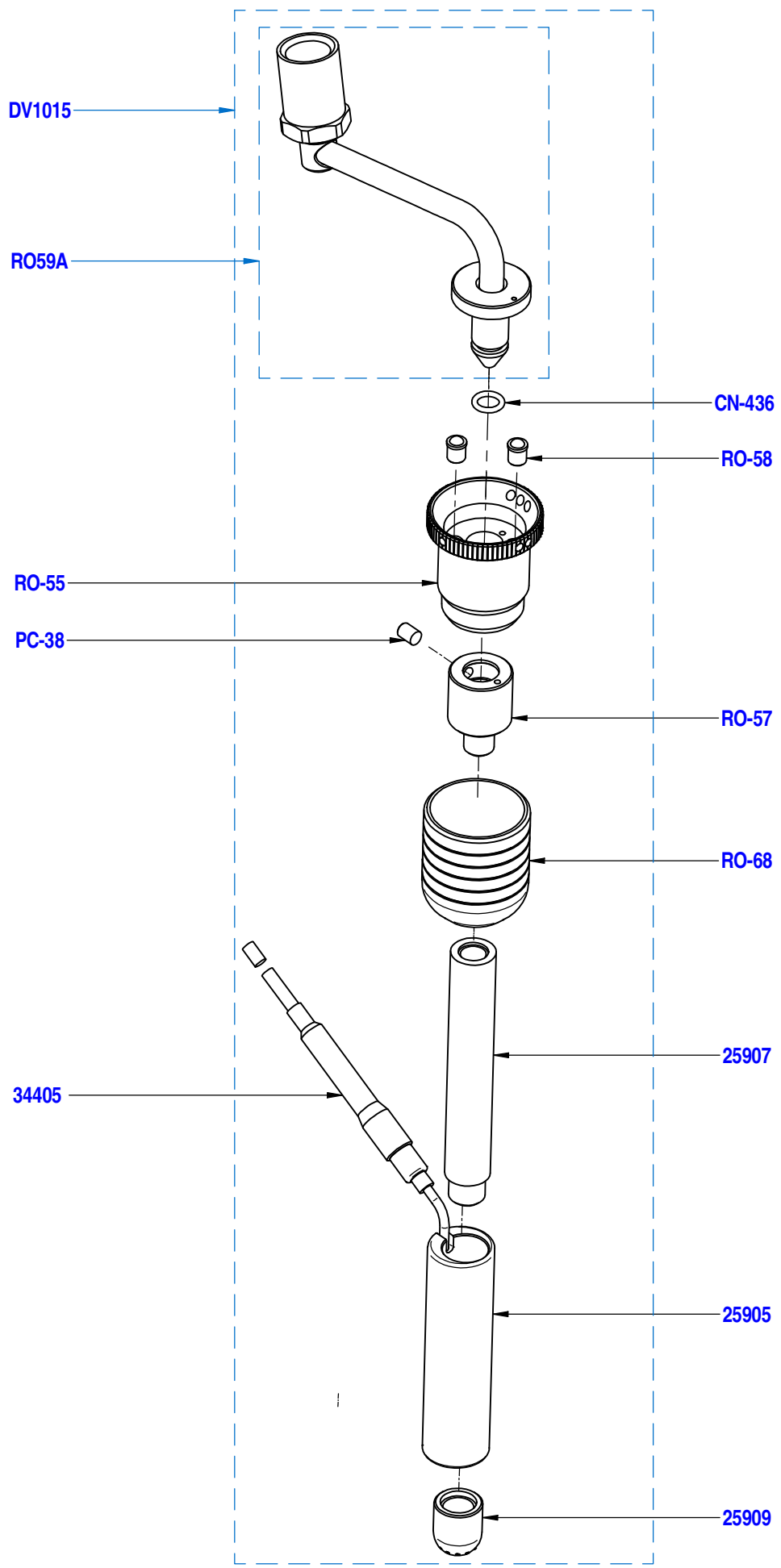
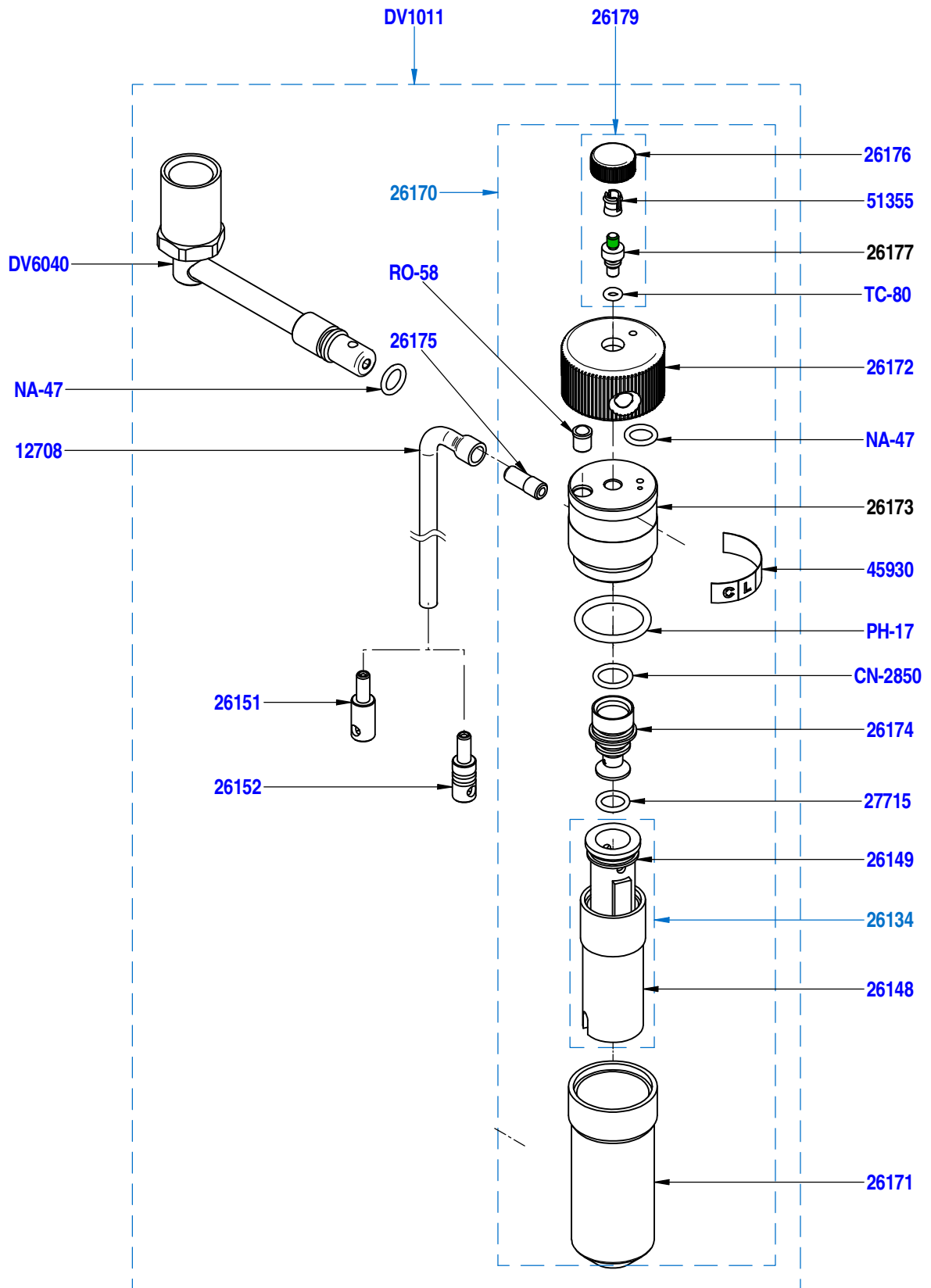


PLANCHE - PLATE 246

REF	ELUX	DESIGNATIONS FR	DESIGNATIONS GB
12708	0UN073	TUBE SILICONE CAPPUCCINATORE L	CAPPUCCINATORE SILICONE PIPE
26134	0UN830	CAPPUCCINO IDEA	CAPPUCCINATORE
26148	0UN448	BRISE JET	ANTI PLASH PLUG
26149	0UN565	MOUSSEUR	FROTHER
26151	0UN426	REDUCTEUR CAPPUCCINATORE D1.7	CAPPUCCINATORE REDUCER D1.7
26152	0UN504	REDUCTEUR CAPPUCCINATORE D2	CAPPUCCINATORE REDUCER D2
26170		SORTIE CAPPUCCINATORE LC	LC CAPPUCCINATORE OUTLET
26171	0UN438	BEC VERSEUR	SPOUT
26172		MANETTE	LEVER
26173		CORPS	BODY
26174	0UN355	MELANGEUR	MIXER
26175	0UN483	EMBOUT M6	M6 NOZZLE
26176		MOLETTE VIS	SCREW PLUG
26177		AXE M4	M4 AXLE
26179		VIS M4 COMPLET	WHOLE M4 SCREW
27715	0UNA1S	JOINT TORIQUE 1,78X8,73 SILICONE	GASKET 8,73 X 1,78
45930		ETIQUETTE LC	LC STICKER
51255	0UN971	VIS TH M6 X 10 INOX	S. STEEL SCREW M6 X 10
CN2850	0UN180	JOINT TORIQUE 1,78X10,82	GASKET 10.82x1.78
DV1011		KIT CAPPUCCINATORE COMPLET	WHOLE CAPPUCCINATORE KIT
DV6040		TUBE CUIVRE LC	LC COPPER PIPE
NA47		JOINT TORIQUE 1.78X7.66 EPDM	O RING - 1.78 X 7.66 EPDM
PH17	0UNA03	JOINT TORIQUE 2,62X20,63 EPDM	GASKET 20,63 X 2,62
RO58	0UN209	POUSSOIR A BILLE	THRUST BALL BEARING
TC80	0UN211	JOINT TORIQUE 1,78X2,90 FKM	GASKET 1.78X2.90 FKM



 Loctite 601

PLANCHE - PLATE 251

REF	ELUX	DESIGNATIONS FR	DESIGNATIONS GB
20957	0UN372	RACCORD DROIT 1/8G	FITTING 1/8G
20990		RACCORD 3/8M 3/8M 1/8F	FITTING 3/8M 3/8M 1/8F
25915	0UN531	CACHE SORTIE EAU VAPEUR	COVER OUTLET STEAM WATER
26301	0UN030	CLAPET ANTI-RETOUR 1/8	NO RETURN VALVE 1/8
28134	0UN019	JOINT TORIQUE 2X9,5 NEXUS	O RING 2X9,5
35515	0UN551	EV 2 VOIES 24V 50-60HZ NSF	EV 2 WAYS 24V 50-60HZ NSF
50125	0UNA68	VIS TB CRUCIFORME A EMBASE M4 x 8	CRUCIFORM SCREW M4 x 8
51351	0UN296	ECROU 1/8	NUT 1/8
AU1072		EV SORTIE EAU CHAUDE MITIGEE	EV HOT WATER MIXED
AU6072		TUBE ALIMENTATION EV EAU CHAUDE	PIPE HOT WATER EV FILLING
CN436	0UN145	JOINT TORIQUE 1,78X8,73 EPDM	GASKET 8,73 X 1,78
DV170	0UN645	ECROU CHROME	NUT 3/8
DV203	0UN968	JOINT PLAT CUIVRE 1/4 D:2mm	WASHER 1/4 D:2
FR4049	0UN921	RACCORD 1/8M M8 X 100	FITTING 1/8M M8 X 100
FR4136	0UN375	RACCORD SORTIE EAU MITIGEE	MIXED WATER FITTING
FR4138	0UN923	BOUCHON MELANGEUR	MIXER CAP
ID129	0UNA5Z	VIS INOX POELIER VM 4 X 8	SCREW 4 X 8
MI18	0UN935	RACCORD MM 1/4 - 1/8 G	FITTING - 1/8 x 1/4
NA18	0UN697	ECROU LAITON 3/8 6 mm	3/8 NUT
NZ6528	0UNBNM	TUBE PTFE L:280 mm	PTFE PIPE L:280 mm
PA43	0UN199	RESSORT F15/10 L14,5 D10,5 P3	SPRING
PH54	0UN133	JOINT TORIQUE 2,62X13,95 EPDM	O RING - 13.95 x 2.62
PH78	0UN202	JOINT TORIQUE 2,62X9,13 EPDM	O RING - 9,13 X 2,62
RR67	0UN210	EMBOUT LAITON	BRASS END
TG6506	0UNBPO	TUBE PTFE	PTFE PIPE

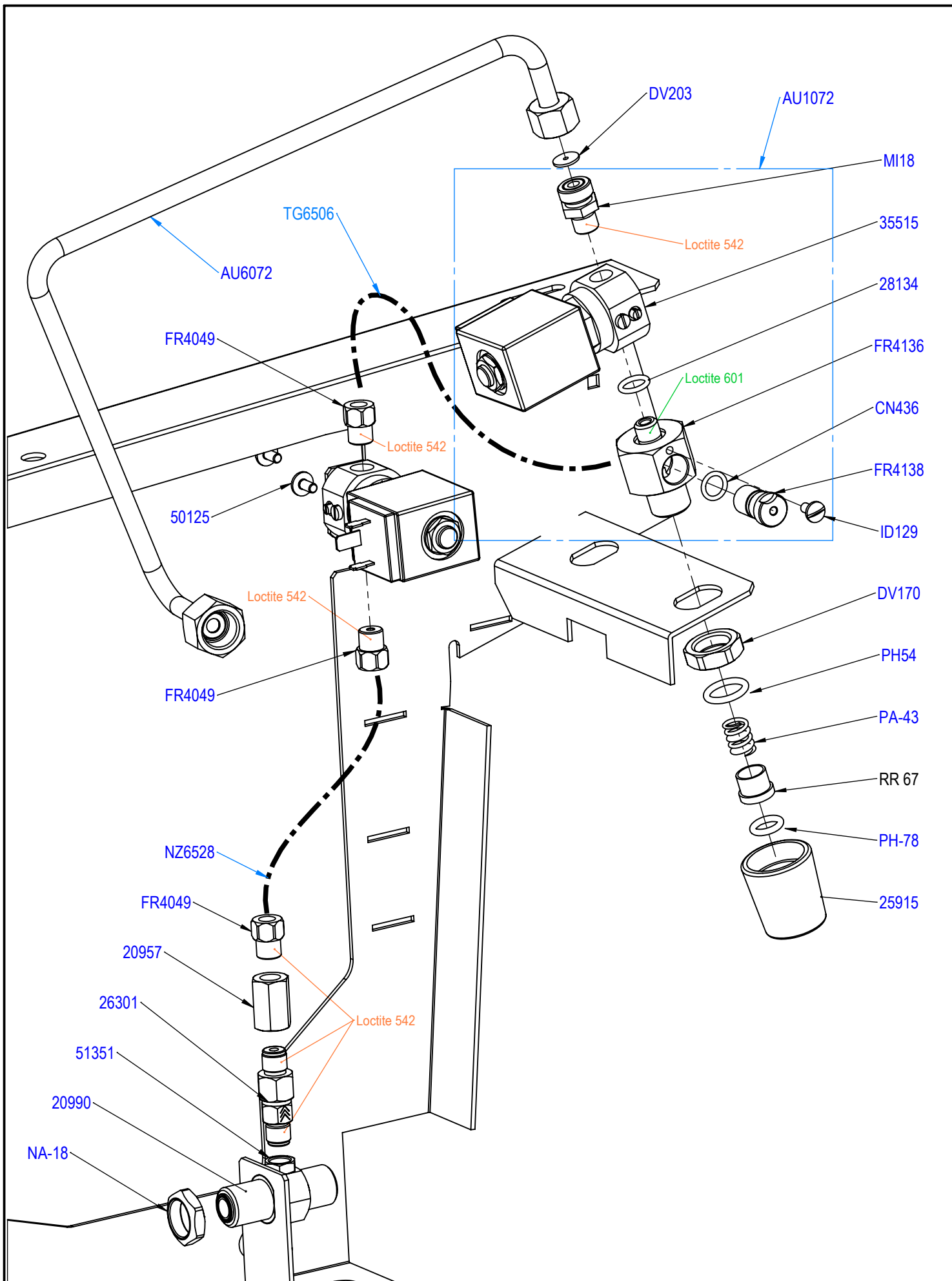


PLANCHE - PLATE 261

REF	ELUX	DESIGNATIONS FR	DESIGNATIONS GB
25716		BRISE JET POUR TUBE INOX EAU CHAUDE	WINDSHIELD FOR HOT WATER PIPE
25728		TUBE SORTIE EAU CHAUDE INOX	HOT WATER OUTLET PIPE
25730		SORTIE EAU CHAUDE INOX COMPLETE	HOT WATER OUTLET
25910	0UN523	POIGNEE SORTIE EAU CHAUDE ET VAPEUR	HOT WATER AND STEAM OUTLET HANDLE
25911	0UN543	BAGUE POUR POIGNEE EAU ET VAPEUR	WATER AND STEAM HANDLE COLLAR

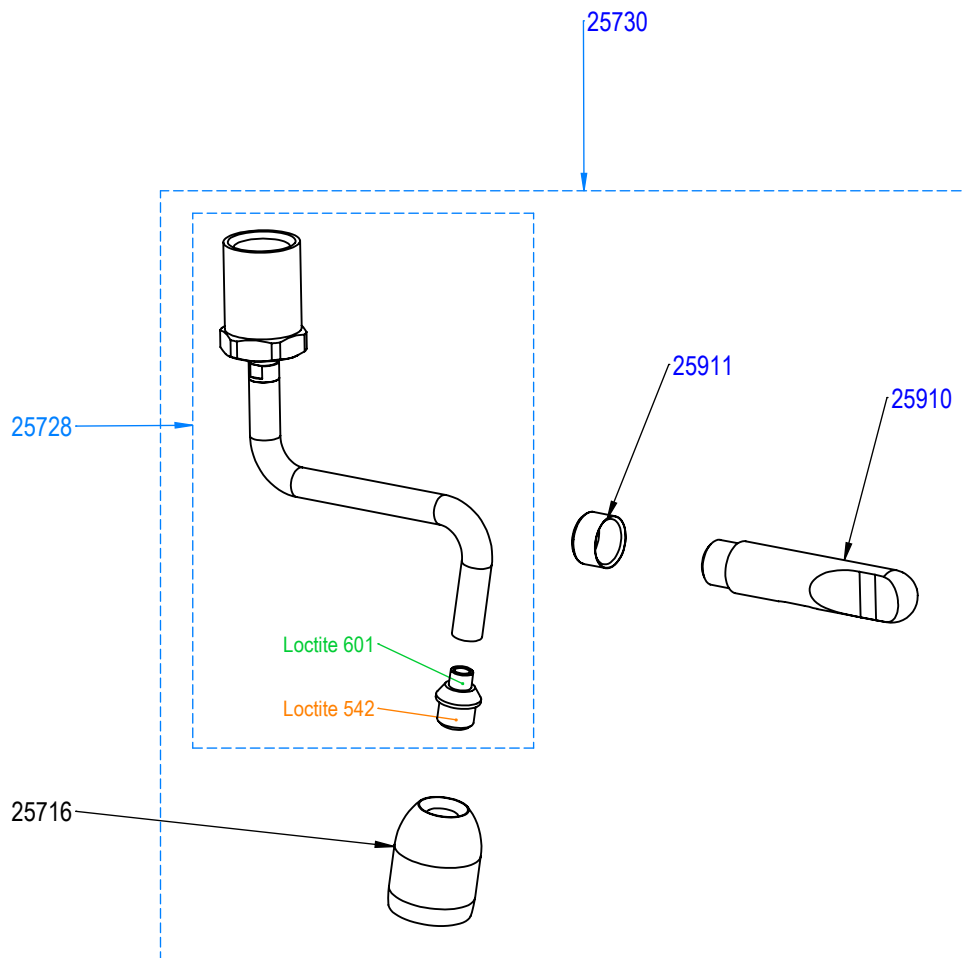


PLANCHE - PLATE 271

REF	ELUX	DESIGNATIONS FR	DESIGNATIONS GB
23118	0UNA02	SUPPORT GICLUR SORTIE EAU CHAUDE	HOT WATER GICLUR SUPPORT
23119	0UN313	GICLUR DIAM:0,9	GICLUR DIAM. 0.9
25708	0UN999	RACCORD SORTIE DEBIT REGLABLE	ADJUSTABLE OUTLET FITTING
25710	0UN988	MOLETTE POUR SORTIE DEBIT REGLABLE	ADJUSTABLE OUTLET TOOTHED WHEEL
25712	0UN981	EMBOUT EAU CHAUDE DEBIT REGLABLE	ADJUSTABLE HOT WATER SPOUT
25728		TUBE SORTIE EAU CHAUDE INOX	HOT WATER OUTLET PIPE
25910	0UN523	POIGNEE SORTIE EAU CHAUDE ET VAPEUR	HOT WATER AND STEAM OUTLET HANDLE
25911	0UN543	BAGUE POUR POIGNEE EAU ET VAPEUR	WATER AND STEAM HANDLE COLLAR
46028	0UN276	AUTOCOLLANT SORTIES REGLABLES	ADJUSTABLE OUTLET STICKER
CN436	0UN145	JOINT TORIQUE 1,78X8,73 EPDM	GASKET 8,73 X 1,78
DV1024	0UNBPD	SORTIE EAU CHAUDE REGLABLE	ADJUSTABLE HOT WATER OUTLET

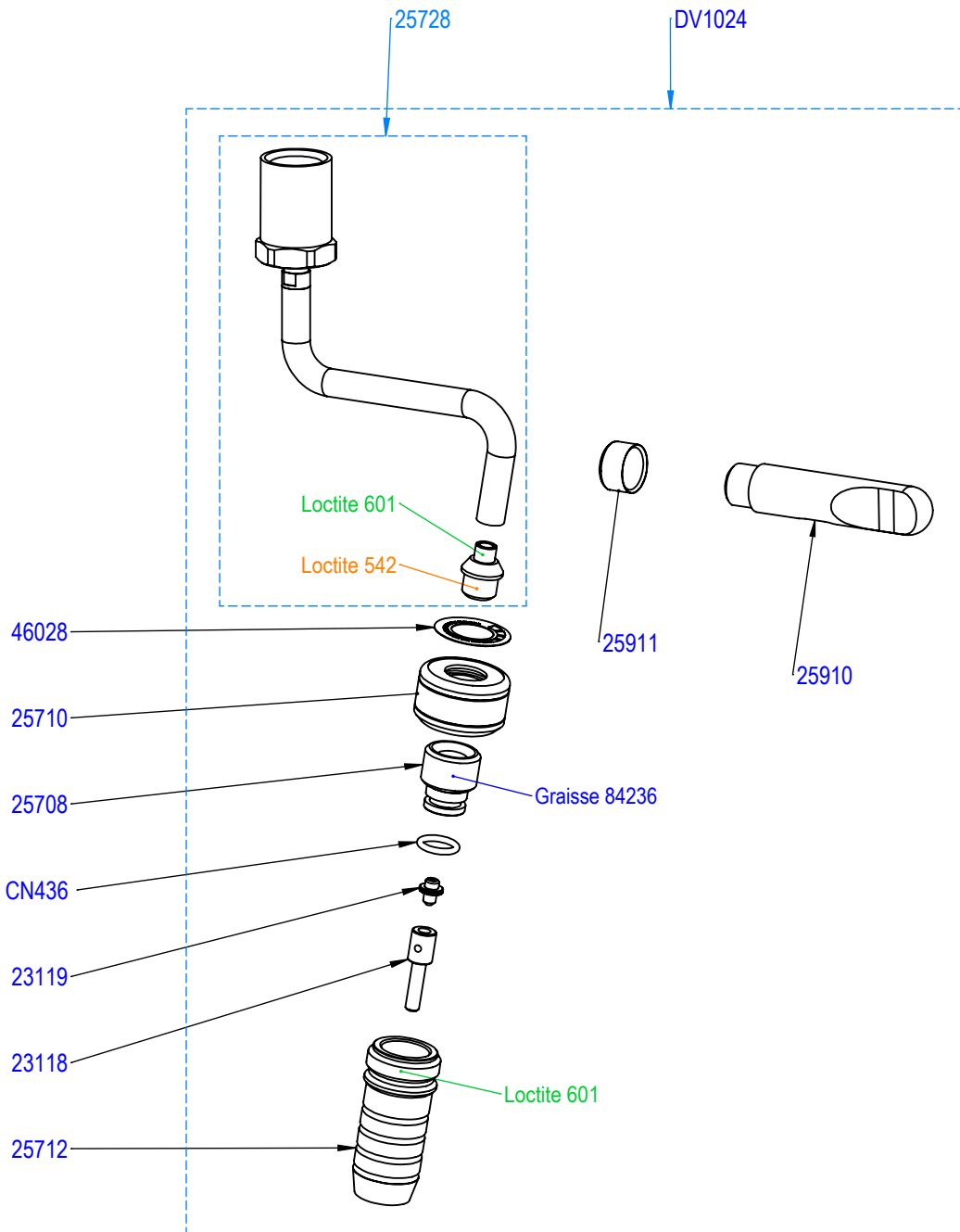


PLANCHE - PLATE 302

REF	ELUX	DESIGNATIONS FR	DESIGNATIONS GB
AU6000		TUBE ALIMENTATION GROUPES	ALIMENTATION GROUPS PIPE
AU6002		TUBE EV VAPEUR	STEAM ELECTROVALVE PIPE
AU6004		TUBE REMPLISSAGE CHAUDIERE	BOILER FEEDING PIPE
AU6005		TUBE ROBINET VAPEUR	STEAM TAP PIPE
AU6006		TUBE MANOMETRE BP	MANOMETER LP PIPE
AU6007		TUBE DECOMPRESSION GR AURA	DECOMPRESSION GROUP PIPE
AU6072		TUBE ALIMENTATION EV EAU CHAUDE	PIPE HOT WATER EV FILLING
DV6014	0UNA1Z	TUBE CUIVRE MANOMETRE HP	PIPE HP MANOMETER
ID75	0UN347	TUBE FLEXIBLE COUDE ARME INOX	FLEXIBLE PIPE
NZ6008		RAMPE DOSEUR ET ENTREE EAU	WATER FEEDING & DOSER PIPE
NZ6013		TUBE CAPTEUR VAPEUR	STEAM SENSOR PIPE
NZ6021		TUBE RILSAN EV 3V STELLA	DRAIN TUBE EV 3W STELLA
NZ6528	0UNBNM	TUBE PTFE L:280 mm	PTFE PIPE L:280 mm
TG6506	0UNBPO	TUBE PTFE	PTFE PIPE

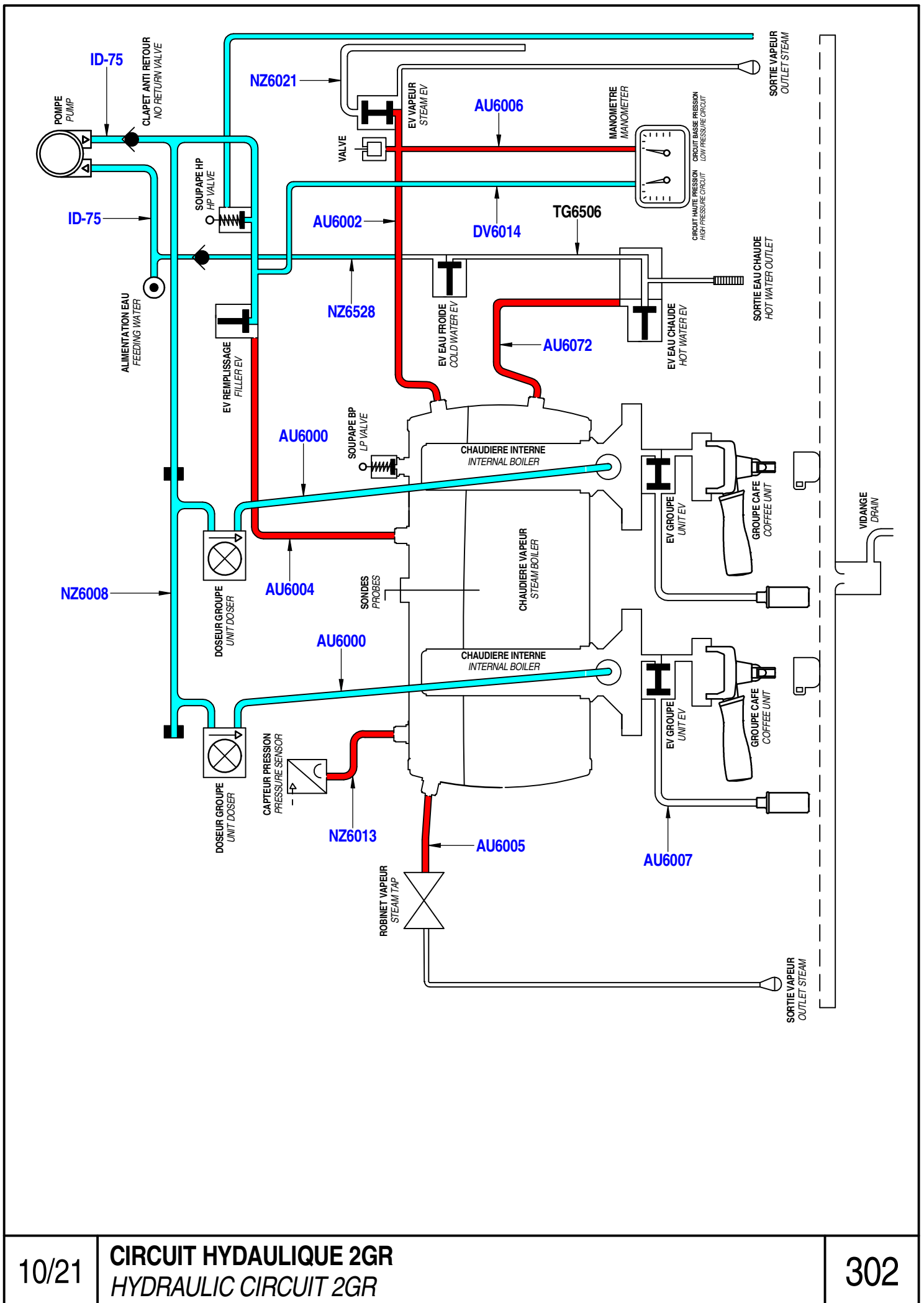


PLANCHE - PLATE 303

REF	ELUX	DESIGNATIONS FR	DESIGNATIONS GB
AU6000		TUBE ALIMENTATION GROUPES	ALIMENTATION GROUPS PIPE
AU6002		TUBE EV VAPEUR	STEAM ELECTROVALVE PIPE
AU6004		TUBE REMPLISSAGE CHAUDIERE	BOILER FEEDING PIPE
AU6005		TUBE ROBINET VAPEUR	STEAM TAP PIPE
AU6006		TUBE MANOMETRE BP	MANOMETER LP PIPE
AU6007		TUBE DECOMPRESSION GR AURA	DECOMPRESSION GROUP PIPE
AU6072		TUBE ALIMENTATION EV EAU CHAUDE	PIPE HOT WATER EV FILLING
DV6014	0UNA1Z	TUBE CUIVRE MANOMETRE HP	PIPE HP MANOMETER
ID75	0UN347	TUBE FLEXIBLE COUDE ARME INOX	FLEXIBLE PIPE
NZ6007		RAMPE DOSEUR EAU	WATER DOSER PIPE
NZ6008		RAMPE DOSEUR ET ENTREE EAU	WATER FEEDING & DOSER PIPE
NZ6013		TUBE CAPTEUR VAPEUR	STEAM SENSOR PIPE
NZ6021		TUBE RILSAN EV 3V STELLA	DRAIN TUBE EV 3W STELLA
NZ6528	0UNBNM	TUBE PTFE L:280 mm	PTFE PIPE L:280 mm
TG6506	0UNBPO	TUBE PTFE	PTFE PIPE

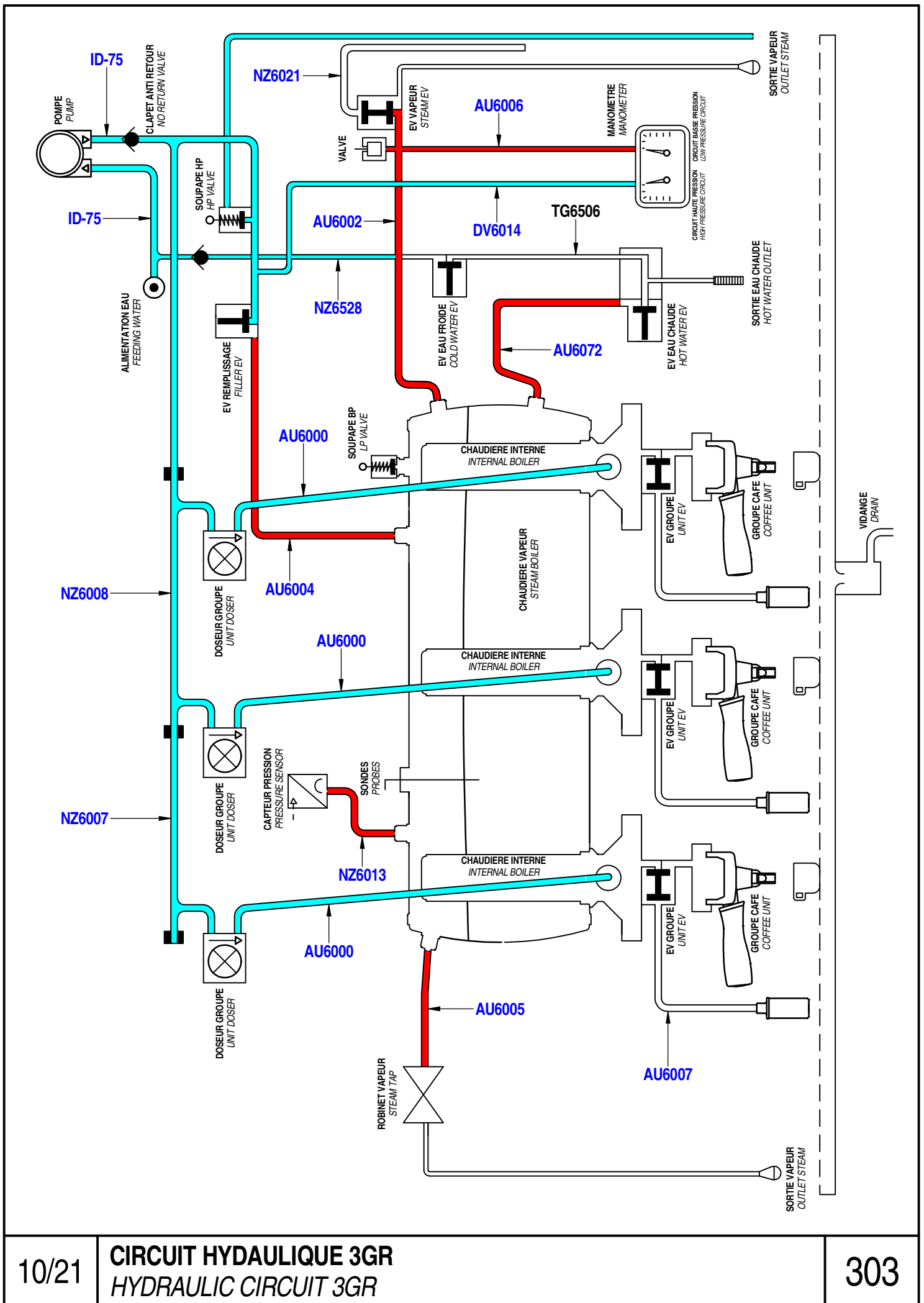


PLANCHE - PLATE 320

REF	ELUX	DESIGNATIONS FR	DESIGNATIONS GB
37205	0UN899	BY PASS POUR POMPE FLUIDOTECH	<i>BY PASS FOR FLUIDOTECH PUMP</i>
37206	0UN382	POMPE ROTATIVE 100L/H SANS PLOMB	<i>UNLEADED PUMP 100L/H</i>
37207	0UN056	POMPE ROTATIVE 200L/H SANS PLOMB	<i>UNLEADED PUMP 200L/H</i>
37215	0UN524	JOINT D'ACCOUPEMENT	<i>SLEEVE COUPLING</i>
37217		ENTRETOISE POUR ACCOUPLE. MOTEUR-POMPE	<i>SPACER 48 YZ</i>
37218		ACCOUPEMENT MALE/FEMELLE MOTEUR-POMPE	<i>ACCOUPEMENT MALE/FEMALE</i>
37222		KIT ACCOUPEMENT MOTEUR POMPE	<i>GANGING RING KIT</i>
37228		MOTEUR POMPE 120W 220-230V 50-60Hz UL	<i>PUMP MOTOR 120W 220-230V 50-60Hz UL</i>
37229		MOTEUR POMPE 165W 220-230V 50-60Hz UL	<i>PUMP MOTOR 165W 220-230V 50-60Hz UL</i>
37242		MOTEUR POMPE 120W 110V 60Hz - UL	<i>PUMP MOTOR 120W 110V 60Hz - UL</i>
37243		MOTEUR POMPE 120W 220-230V 50-60Hz	<i>PUMP MOTOR 120W 220-230V 50-60Hz</i>
37244		MOTEUR POMPE 165W 220-230V 50-60Hz	<i>PUMP MOTOR 165W 220-230V 50-60Hz</i>
51655	0UNA5W	RONDELLE GROWER DE 6	<i>WASHER 6</i>
AE13A	0UNA42	ECROU INOX Hu 6-100	<i>NUT M6</i>
CH16	0UN177	JOINT CUIVRE RECUIT 3/8	<i>WASHER - COPPER - 3/8</i>
CN347A	0UN558	RACCORD D'ALIM. 3/8 - 3/8 MM	<i>FITTING - 3/8 X 3/8 -</i>
CN347C		RACCORD D'ALIM 3/8 3/8	<i>FITTING 3/8 3/8</i>
DO19	0UN687	PLOT APB 20-20	<i>SILENTBLOC</i>
DO45		VIS ACIER ZN TH 6 X 8	<i>SCREW 6 X 8</i>

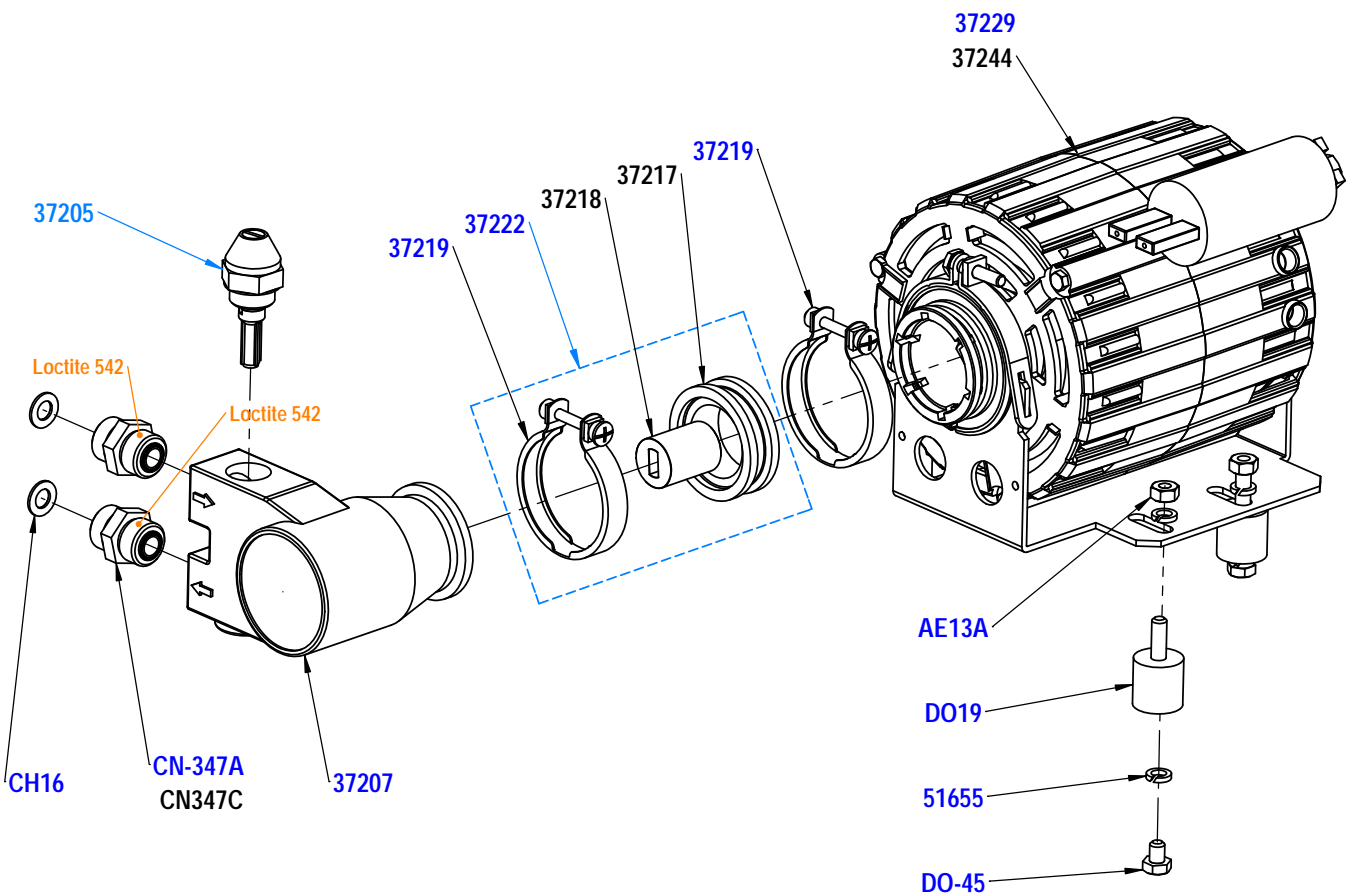
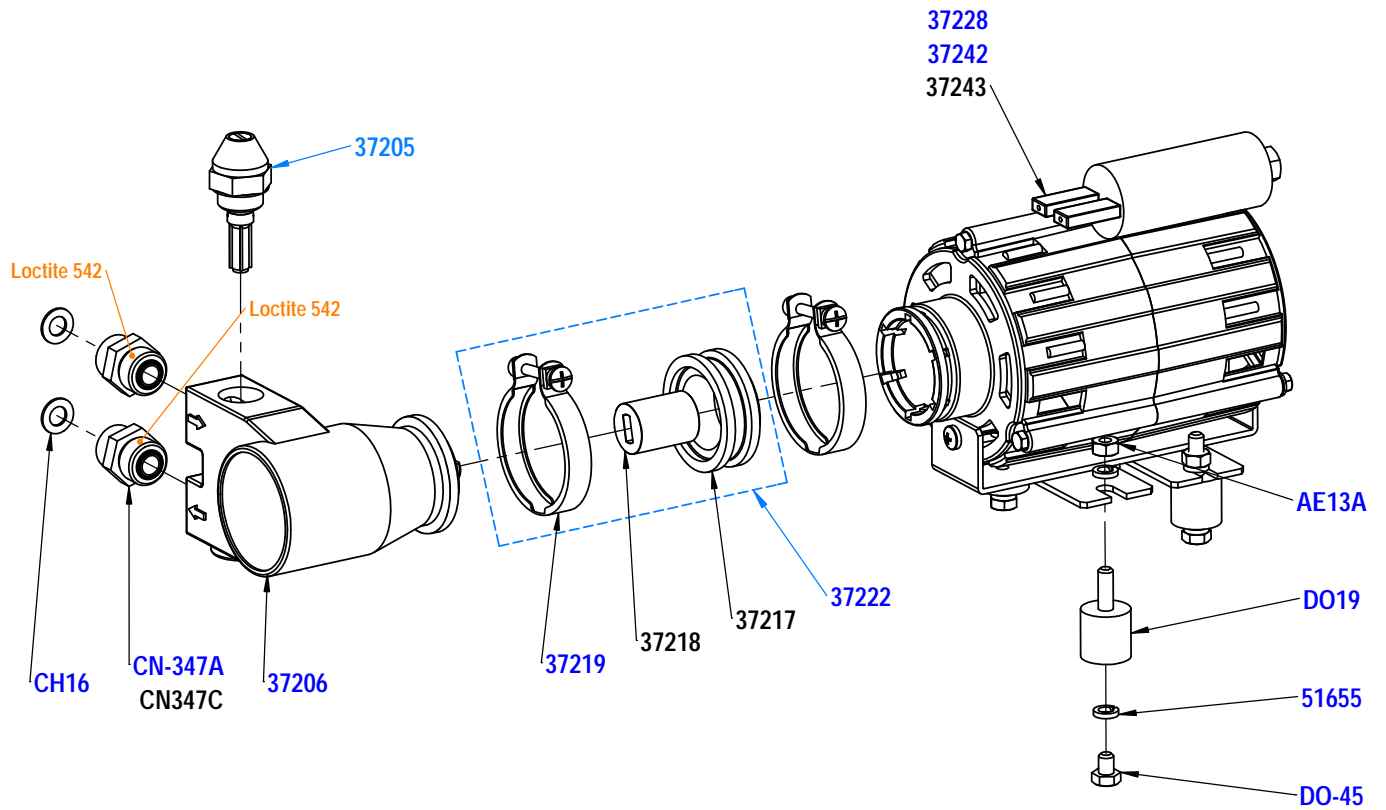
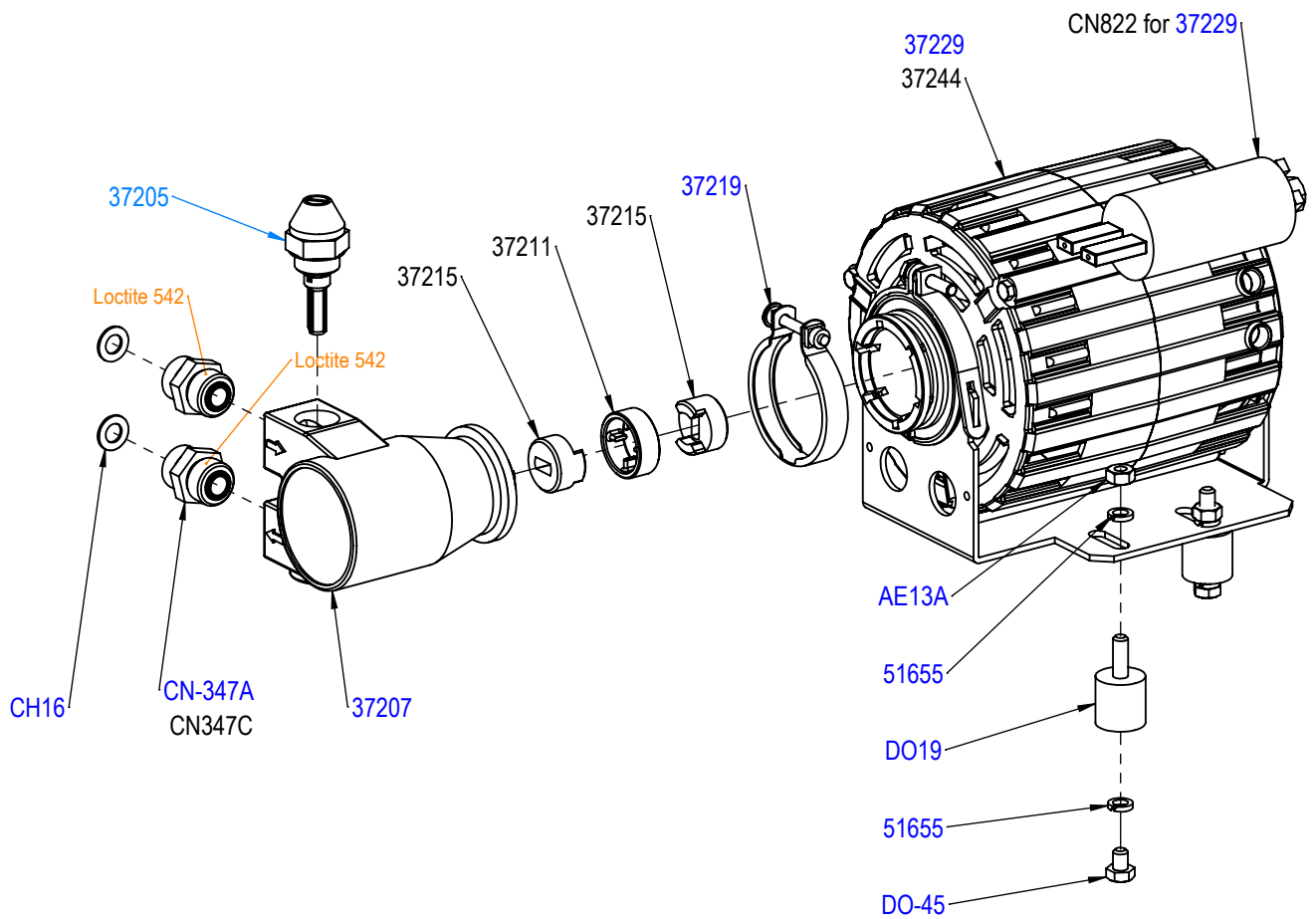
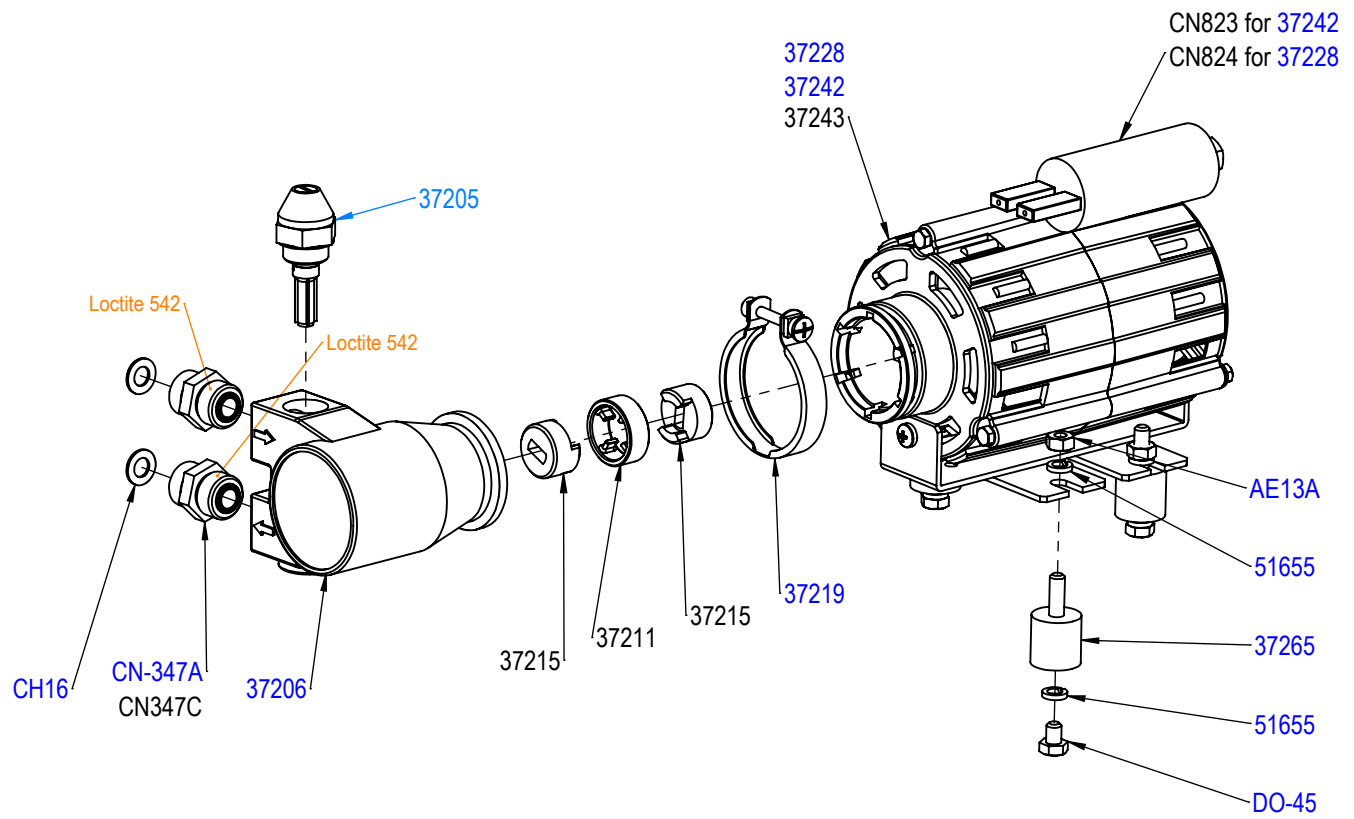


PLANCHE - PLATE 320

REF	ELUX	DESIGNATIONS FR	DESIGNATIONS GB
37205	0UN899	BY PASS POUR POMPE FLUIDOTECH	<i>BY PASS FOR FLUIDOTECH PUMP</i>
37206	0UN382	POMPE ROTATIVE 100L/H SANS PLOMB	<i>UNLEADED PUMP 100L/H</i>
37207	0UN056	POMPE ROTATIVE 200L/H SANS PLOMB	<i>UNLEADED PUMP 200L/H</i>
37211	0UN542	AMORTISSEUR ACCOUPLEMENT	<i>RUBBER COUPLING</i>
37215	0UN524	JOINT D'ACCOUPLEMENT	<i>SLEEVE COUPLING</i>
37219		COLLIER POUR POMPE FLUIDOTECH	<i>CLAMP</i>
37228		MOTEUR POMPE 120W 220-230V 50-60Hz UL	<i>PUMP MOTOR 120W 220-230V 50-60Hz UL</i>
37229		MOTEUR POMPE 165W 220-230V 50-60Hz UL	<i>PUMP MOTOR 165W 220-230V 50-60Hz UL</i>
37242		MOTEUR POMPE 120W 110V 60Hz - UL	<i>PUMP MOTOR 120W 110V 60Hz - UL</i>
37243		MOTEUR POMPE 120W 220-230V 50-60Hz	<i>PUMP MOTOR 120W 220-230V 50-60Hz</i>
37244		MOTEUR POMPE 165W 220-230V 50-60Hz	<i>PUMP MOTOR 165W 220-230V 50-60Hz</i>
37265		PLOT APB 20-20 45 SHORES	<i>SILENTBLOC</i>
51655	0UNA5W	RONDELLE GROWER DE 6	<i>WASHER 6</i>
AE13A	0UNA42	ECROU INOX Hu 6-100	<i>NUT M6</i>
CH16	0UN177	JOINT CUIVRE RECUIT 3/8	<i>WASHER - COPPER - 3/8</i>
CN347A	0UN558	RACCORD D'ALIM. 3/8 - 3/8 MM	<i>FITTING - 3/8 X 3/8 -</i>
CN347C		RACCORD D'ALIM 3/8 3/8	<i>FITTING 3/8 3/8</i>
CN822		CONDENSATEUR UL RPM POUR 37229	<i>UL CAPACITOR</i>
CN823		CONDENSATEUR UL RPM POUR 37242	<i>UL CAPACITOR</i>
CN824		CONDENSATEUR UL RPM POUR 37228	<i>UL CAPACITOR</i>
DO19	0UN687	PLOT APB 20-20	<i>SILENTBLOC</i>
DO45		VIS ACIER ZN TH 6 X 8	<i>SCREW 6 X 8</i>



VERSION 2

PLANCHE - PLATE 331

REF	ELUX	DESIGNATIONS FR	DESIGNATIONS GB
23760	0UN291	AXE BANJO 1/4	BANJO SCREW 1/4
27796	0UN023	JOINT TORIQUE 1,78 X 12,42 NEXUS	O RING 1.78 X 12,42
CH10		ECROU BORGNE 3/8	CAP NUT 3/8
CH16	0UN177	JOINT CUIVRE RECUIT 3/8	WASHER - COPPER - 3/8
CN648	0UN109	COMPTEUR VOLUMETRIQUE Ø1,5	WHOLE W.DOSING DEVICE
CN828	0UN006	JOINT TORIQ DESSUS DOSEUR EAU	GASKET - DOSING DEVICE
CN829	0UN086	TURBINE DE COMPTEUR VOLUMETR.	TURBINE
DV172	0UN500	JOINT PLAT 11.4 X 7.5 X 1.9	GASKET
DV44	0UN188	VIS TH M4X10 ACIER	SCREW M4x10
NZ6007		RAMPE DOSEUR EAU	WATER DOSER PIPE
NZ6008		RAMPE DOSEUR ET ENTREE EAU	WATER FEEDING & DOSER PIPE

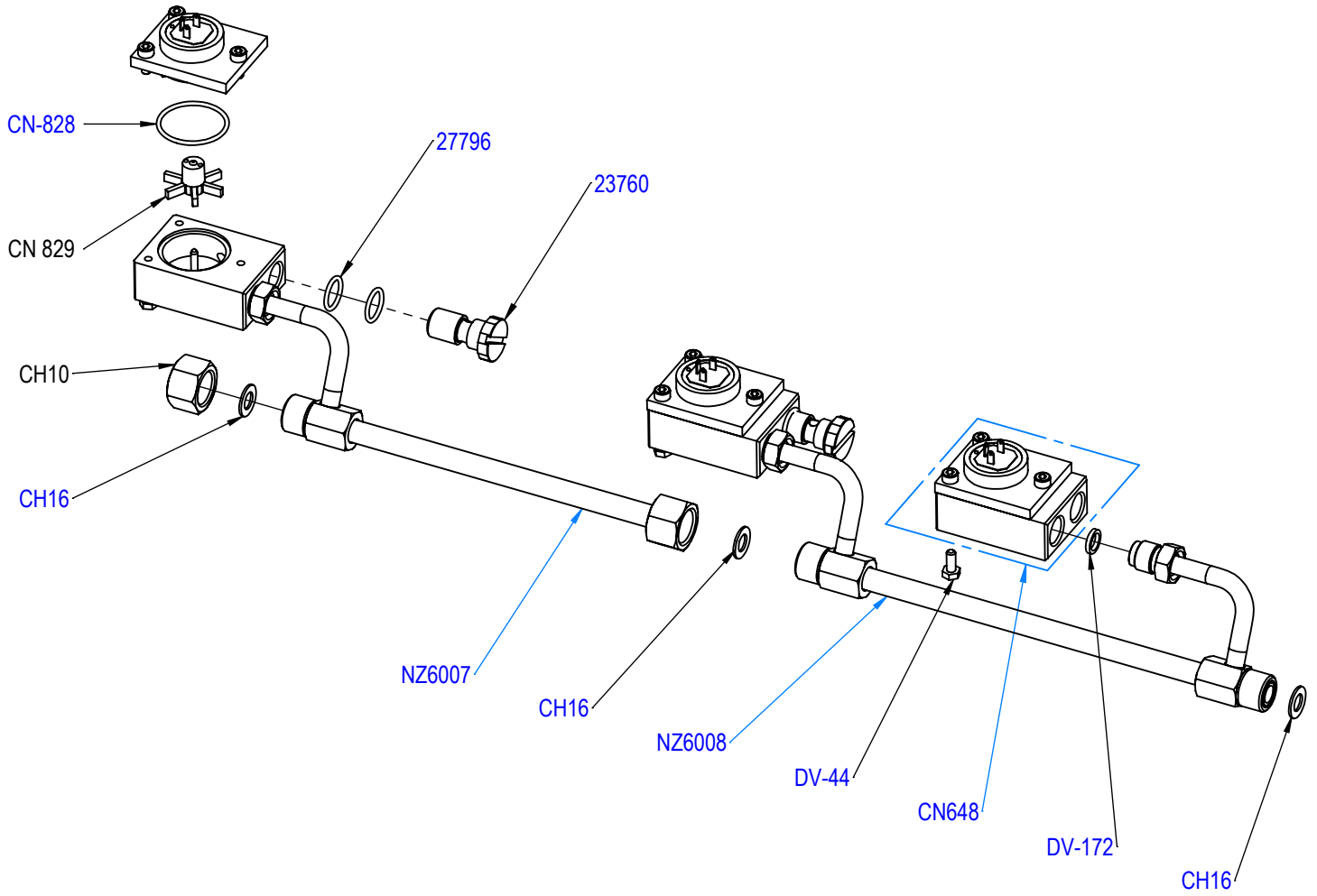
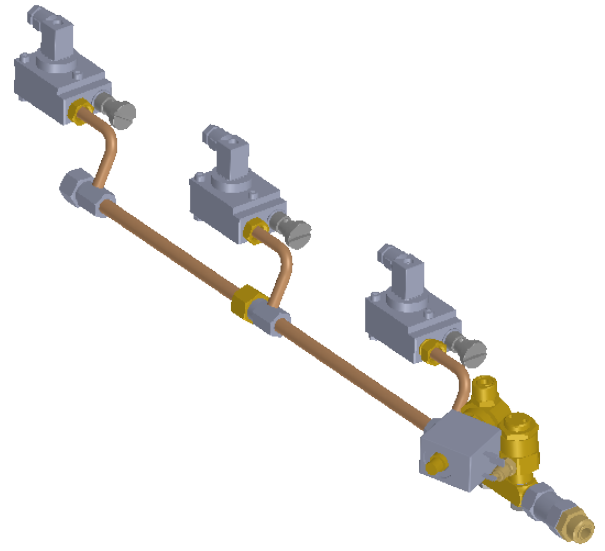
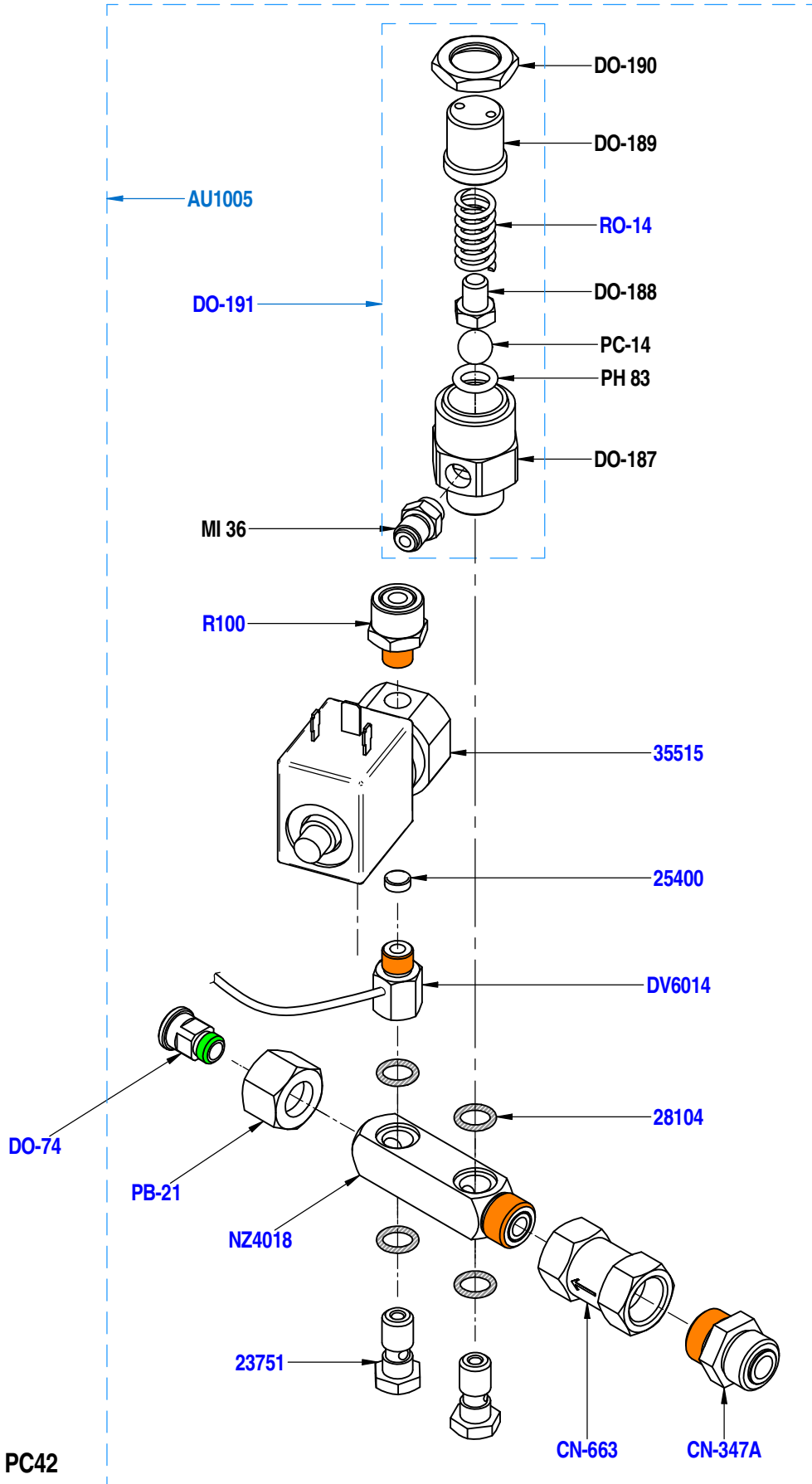


PLANCHE - PLATE 332

REF	ELUX	DESIGNATIONS FR	DESIGNATIONS GB
23751	0UN088	AXE DE BANJO 1/8	BANJO SCREW
25400	0UN124	FILTRE INOX	FILTER
28104	0UN146	JOINT TORIQUE 2X9,5 FKM 80SH	GASKET 2X9,5
35515	0UN551	EV 2 VOIES 24V 50-60HZ NSF	EV 2 WAYS 24V 50-60HZ NSF
AU1005		NOURRICE D'ALIMENTATION EAU	WATER FEEDING FITTING
CN347A	0UN558	RACCORD D'ALIM. 3/8 - 3/8 MM	FITTING - 3/8 X 3/8 -
CN663	0UN058	CLAPET ANTI RETOUR COMPACT	VALVE - NON-RETURN
DO187	0UN767	CORPS DE SOUPE	VALVE BODY
DO188	0UN768	TIGE DE SOUPE	VALVE PISTON
DO189	0UN557	ECROU DE SOUPE	VALVE NUT
DO190	0UN860	CONTRE ECROU M18 X 100	NUT M18 X 100
DO191	0UN136	SOUPE H.P. COMPLETE	COMPLET H.P. VALVE
DO74	0UN416	RACCORD SOUPE HP	H.P VALVE CONNECTION
DV6014	0UNA1Z	TUBE CUIVRE MANOMETRE HP	PIPE HP MANOMETER
MI36	0UN422	RACCORD 1/8M 1/8M	CONNECTION 1/8
NZ4018		RACCORD NOURRICE	LEADER FITTING
PB21	0UN488	ECROU 3/8 LAITON	FITTING 3/8
PC14	0UN510	BILLE INOX POLIE DE 11	STAINLESS STEEL BALL DIA 11
PH83	0UN302	JOINT TORIQUE 2,62X9,19 PTFE	O RING 9,19 X 2,62 PTFE
R100	0UN228	RACCORD LAITON	FITTING
RO14	0UN446	RESSORT F20/10L26.5 D13 P5	SPRING




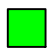

-  Graisse PC42
-  Loctite 601
-  Loctite 542

PLANCHE - PLATE 335

REF	ELUX	DESIGNATIONS FR	DESIGNATIONS GB
50125	0UNA68	VIS TB CRUCIFORME A EMBASE M4 x 8	CRUCIFORM SCREW M4 x 8
51100	0UNA5V	ECROU M5 INOX	NUT M5
51552	0UN616	RONDELLE INOX 4.25x14x0.8	S..STEEL WASHER 4.25x14x0.8
AU2002		PATTE FIXATION MANOMETRE	FIXING FOR MANOMETER
CF194	0UN658	RONDELLE LAITON DE 5 MOYENNE	WASHER
ID82E	0UN101	MANOMETRE DOUBLE 3,5 x 20 B.	MANOMETER
RR38	0UN119	JOINT TORIQUE 1,78X4,48 EPDM	GASKET - 4,48 X 1,78

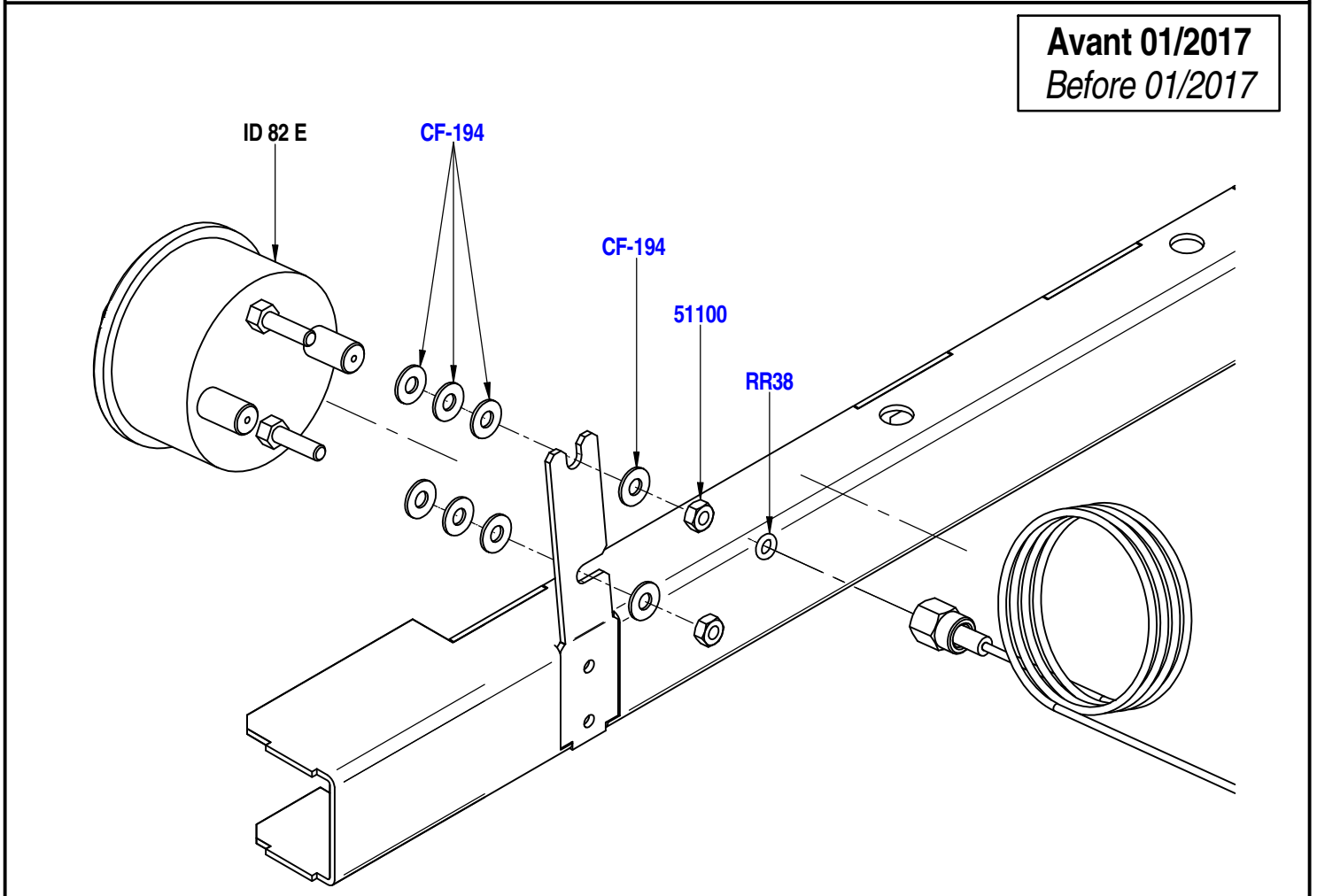
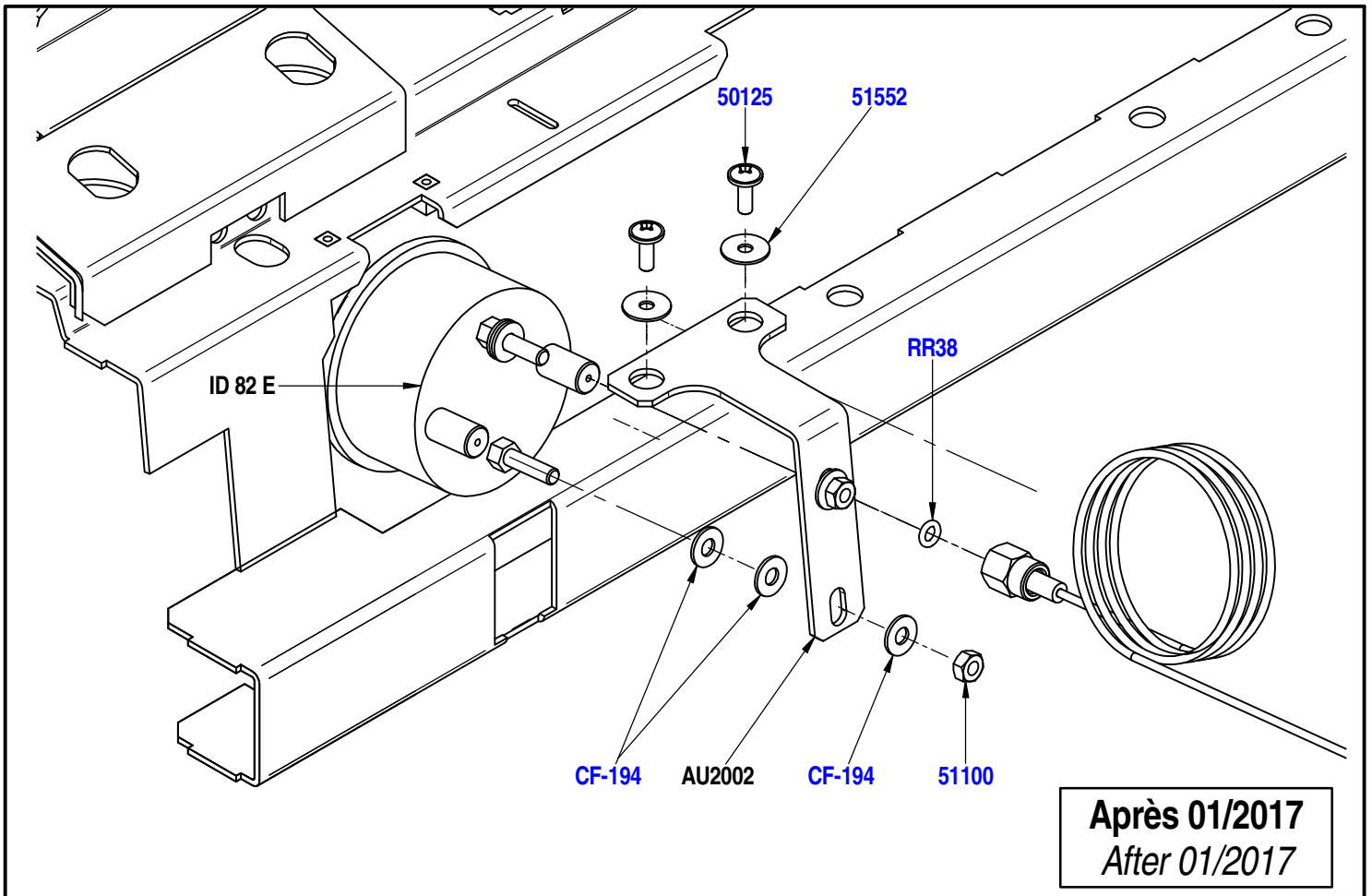


PLANCHE - PLATE 341

REF	ELUX	DESIGNATIONS FR	DESIGNATIONS GB
26502	0UN966	ENSEMBLE NIVEAU SONDE 3/8	LEVEL PROBE 3/8 SET
26510	0UN570	SONDE DE NIVEAU L=130	LEVEL PROBE
27200	0UN155	SOUPAPE VAPEUR BP 3,5 BARS	LP VALVE 3.5 BARS
29078		CHAUDIERE AURA 2GR	2 UNITS BOILER
29079		CHAUDIERE AURA 3GR	3 UNITS BOILER
36510MPS	0UN377	CAPTEUR DE PRESSION 0-16b SENSATA	0-16b PRESSURE SENSOR
AU6000		TUBE ALIMENTATION GROUPES	ALIMENTATION GROUPS PIPE
AU6004		TUBE REMPLISSAGE CHAUDIERE	BOILER FEEDING PIPE
CH10B		BOUCHON 3/8	PLUG 3/8
CH16	0UN177	JOINT CUIVRE RECUIT 3/8	WASHER - COPPER - 3/8
CH17	0UN972	JOINT CUIVRE RECUIT 1/2	WASHER - COPPER - 1/2
CN544	0UN901	RONDELLE ACIER ZN 17 x 28 x 2	WASHER
CN670	0UN185	SONDE NIVEAU BAS INOX L=130	LEVEL PROBE L=130
ID23		RACCORD ALIM.1/2M-M	FITTING 1/2-1/2
ID23A		RACCORD ALIM.1/2M-M SS PLOMB	FITTING 1/2-1/3 ECO BRASS
NA18A	0UN698	ECROU LAITON 3/8 4 mm	3/8 NUT
NA69A	0UNA08	PORTE SONDE EN LAITON	PROBE HOLDER CONNECTION
NA70	0UN197	BLOCAGE ELECTRODE NIVEAU AUTO	LEVEL PROBE COMPRESSION NUT
NA71	0UN198	PORTE-ELECTRODE EN TEFLON	LEVEL PROBE INSULATION
NZ6013		TUBE CAPTEUR VAPEUR	STEAM SENSOR PIPE
PA96	0UNBFV	JOINT TORIQUE 1,78X12,42 EPDM	GASKET 1.78 X 12.42
TG7022		PROTECTION SOUPAPE	VALVE PROTECTION
TG7023	0UNBY6	COUVERCLE PROTECTION SOUPAPE	COVER VALVE PROTECTION

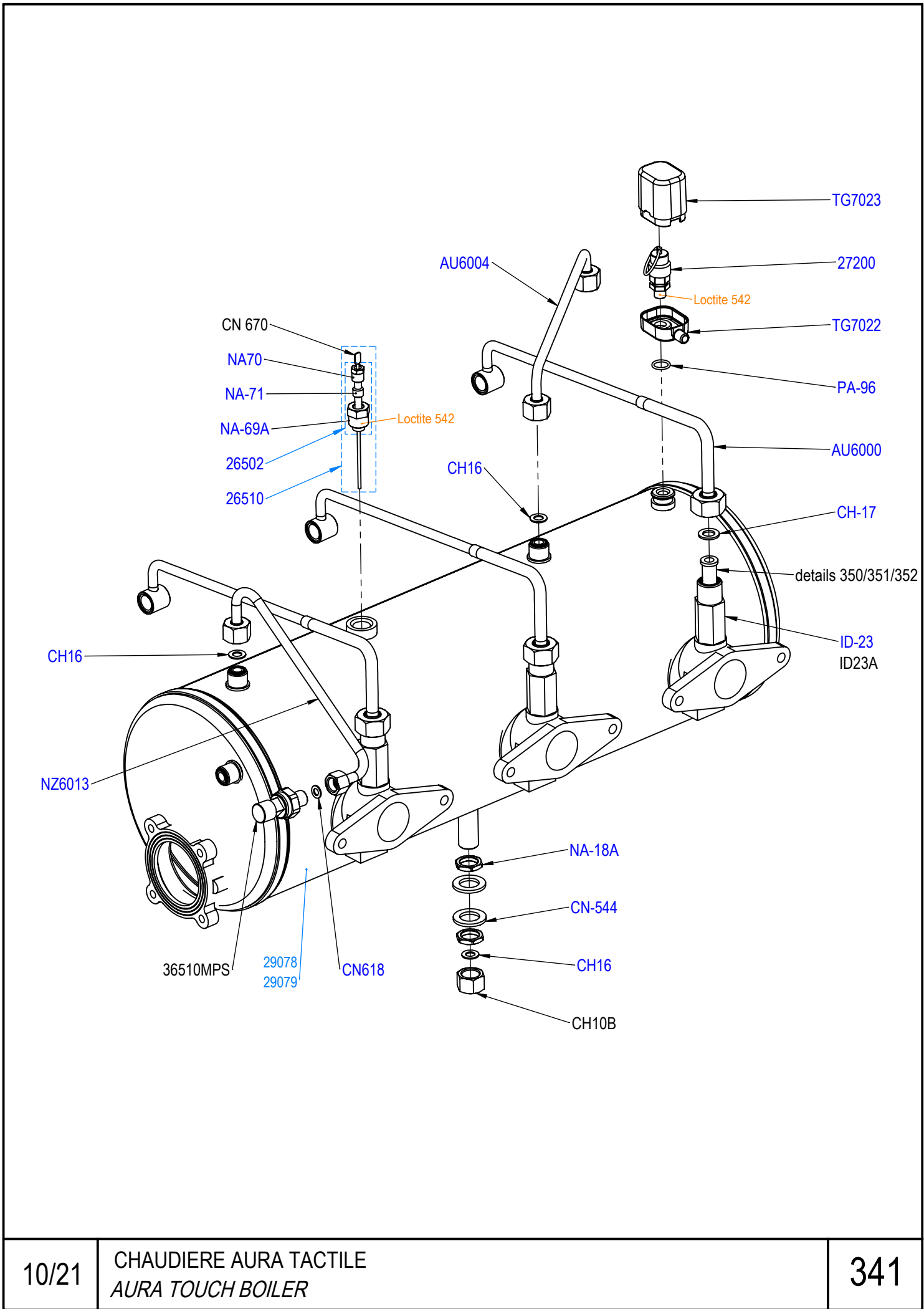


PLANCHE - PLATE 350

REF	ELUX	DESIGNATIONS FR	DESIGNATIONS GB
23100		PORTE GICLEUR	GICLUER HOLDER
23117	0UN134	GICLEUR DIAM:0,7	JET DIAM. 0.7
23127	0UN131	KIT PORTE GICLEUR Ø0.7	GICLUER Ø 0.7 KIT
24455		ECROU 1/8	NUT 1/8
27717	0UNBFW	JOINT TORIQUE 1,78 X 6,07	GASKET 1.78 X 6.07
27718	0UN091	JOINT PISTON MOBILE 3.53 X 74.61	O RING 3.53 X 74.61
27800	0UN122	JOINT TORIQUE 2.62 X 52.07 NBR	GASKET 2.62 X 52.07
28828	0UN050	RONDELLE RESSORT Ø54	RONDELLE RESSORT Ø54
31910	0UNBJB	RONDELLE DIFFUSEUR GROUPE	WASHER DIFFUSER
35101		BOBINE 24V 60Hz - 13 WATT UL	COIL 24V 60Hz - 13 WATT UL
44720	0UN138	CAPTEUR DE COUPE COMPLET	FILTER HOLDER SENSOR KIT
50200	0UN682	VIS TH M4 X 12 INOX	S.STEEL SCREW M4X12
50304		VIS TC M6X25 INOX	S.STEEL SCREW M6X25
51600		RONDELLE INOX MOYENNE DE 5	WASHER
AU6007		TUBE DECOMPRESSION GR AURA	DECOMPRESSION GROUP PIPE
C48	0UN963	VIS TCHC M8X16 INOX	SCREW M8 X 16
CF326	0UNBPS	FILTRE INOX D.int=12 H=17,5	FILTER D:12 H:17,5
CH17	0UN972	JOINT CUIVRE RECUIT 1/2	WASHER - COPPER - 1/2
CH63		GOUJON ACIER NICKELE M10	SCREW M10 -STUD
CH64		ECROU ACIER ZN Hu 10	NUT M10
CN128	0UNA7E	VIS INOX TF M4 X 8	SCREW M4 X 8
DO113	0UNBO8	JOINT CONNECTEUR	GASKET CONNECTOR
DV4001	0UN460	TUBE TEFLON ALIM. GROUPE L:60	UNIT FEEDING TUBE
DV7040	0UNBLV	EMBOUT DE DECOMPRESSION	DECOMPRESSION TIP
DV7041	0UNBLW	CORPS EMBOUT DE DECOMPRESSION	DECOMPRESSION TIP HOUSING
ID103	0UN104	FILTRE TASSOIR	PACKER FILTER
ID18P	0UNBM8	CORPS DE GROUPE INJECTION CREMA	CREMA GROUP BODY - INJECTION
ID3		ISOLANT TEFLON BLANC ep:21mm	INSULATOR
ID38		VIS INOX TF 4 x 30	SCREW M4 X 30
MI80	0UN944	VIS TCHC M4x12 INOX	SCREW M4 X 12
NZ4007	0UNBNF	TASSOIR MONOGROUPE	SINGLE GROUP COMPACTOR
NZ4008	0UNBNG	PISTON MONOGROUPE	SINGLE GROUP PISTON
NZ4011	0UNBNI	PORTE COUPE BUTEE	BOWL HOLDER
NZ4012	0UNBNJ	BUTEE DE COUPE	FILTER HOLDER STOP
PC17	0UN128	JOINT DE COUPE 57 x 75 x 9	HEAD GASKET 9mm
PC45		RONDELLE GROVER DE 10	WASHER
PE28	0UN102	JOINT TORIQUE 3,53X36,09 FKM	GASKET - 36.09 x 3.53
PH54	0UN133	JOINT TORIQUE 2,62X13,95 EPDM	O RING - 13.95 x 2.62
PI45P	0UN057	ELECTROVANNE 3V SANS BOBINE	ELECTOVALVE 3W WITHOUT COIL
RR38	0UN119	JOINT TORIQUE 1,78X4,48 EPDM	GASKET - 4,48 X 1,78
TC80	0UN211	JOINT TORIQUE 1,78X2,90 FKM	GASKET 1.78X2.90 FKM

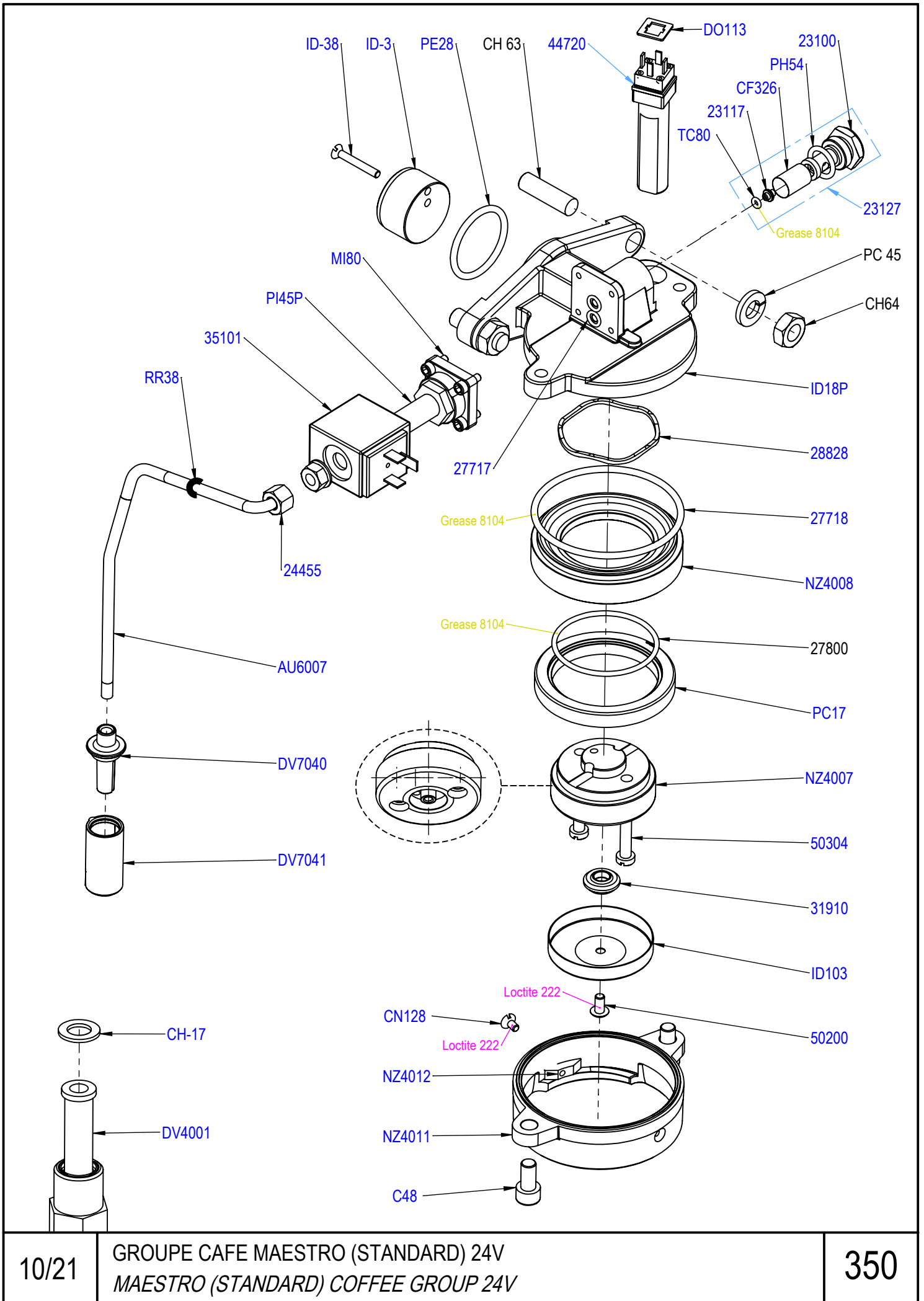


PLANCHE - PLATE 351

REF	ELUX	DESIGNATIONS FR	DESIGNATIONS GB
23100		PORTE GICLEUR	GICLUER HOLDER
23117	0UN134	GICLEUR DIAM:0,7	JET DIAM. 0.7
23127	0UN131	KIT PORTE GICLEUR Ø0.7	GICLUER Ø 0.7 KIT
24455		ECROU 1/8	NUT 1/8
27717	0UNBFW	JOINT TORIQUE 1,78 X 6,07	GASKET 1.78 X 6.07
27718	0UN091	JOINT PISTON MOBILE 3.53 X 74.61	O RING 3.53 X 74.61
27800	0UN122	JOINT TORIQUE 2.62 X 52.07 NBR	GASKET 2.62 X 52.07
28828	0UN050	RONDELLE RESSORT Ø54	RONDELLE RESSORT Ø54
31910	0UNBJB	RONDELLE DIFFUSEUR GROUPE	WASHER DIFFUSER
31950		ISOLANT TEFLON BLANC ep:10mm	INSULATOR
35101		BOBINE 24V 60Hz - 13 WATT UL	COIL 24V 60Hz - 13 WATT UL
44720	0UN138	CAPTEUR DE COUPE COMPLET	FILTER HOLDER SENSOR KIT
50200	0UN682	VIS TH M4 X 12 INOX	S.STEEL SCREW M4X12
50304		VIS TC M6X25 INOX	S.STEEL SCREW M6X25
51600		RONDELLE INOX MOYENNE DE 5	WASHER
AU6007		TUBE DECOMPRESSION GR AURA	DECOMPRESSION GROUP PIPE
C48	0UN963	VIS TCHC M8X16 INOX	SCREW M8 X 16
CF326	0UNBPS	FILTRE INOX D.int=12 H=17,5	FILTER D:12 H:17,5
CH17	0UN972	JOINT CUIVRE RECUIT 1/2	WASHER - COPPER - 1/2
CH63		GOUJON ACIER NICKELE M10	SCREW M10 -STUD
CH64		ECROU ACIER ZN Hu 10	NUT M10
CN124	0UNA1R	VIS INOX TF 4 x 20	SCREW M4 X 20
CN128	0UNA7E	VIS INOX TF M4 X 8	SCREW M4 X 8
DO113	0UNBO8	JOINT CONNECTEUR	GASKET CONNECTOR
DV4001	0UN460	TUBE TEFLON ALIM. GROUPE L:60	UNIT FEEDING TUBE
DV7040	0UNBLV	EMBOUT DE DECOMPRESSION	DECOMPRESSION TIP
DV7041	0UNBLW	CORPS EMBOUT DE DECOMPRESSION	DECOMPRESSION TIP HOUSING
ID103	0UN104	FILTRE TASSOIR	PACKER FILTER
ID18P	0UNBM8	CORPS DE GROUPE INJECTION CREMA	CREMA GROUP BODY - INJECTION
MI80	0UN944	VIS TCHC M4x12 INOX	SCREW M4 X 12
NZ4007	0UNBNF	TASSOIR MONOGROUPE	SINGLE GROUP COMPACTOR
NZ4008	0UNBNG	PISTON MONOGROUPE	SINGLE GROUP PISTON
NZ4011	0UNBNI	PORTE COUPE BUTEE	BOWL HOLDER
NZ4012	0UNBNJ	BUTEE DE COUPE	FILTER HOLDER STOP
PC17	0UN128	JOINT DE COUPE 57 x 75 x 9	HEAD GASKET 9mm
PC45		RONDELLE GROVER DE 10	WASHER
PE28	0UN102	JOINT TORIQUE 3,53X36,09 FKM	GASKET - 36.09 x 3.53
PH54	0UN133	JOINT TORIQUE 2,62X13,95 EPDM	O RING - 13.95 x 2.62
PI45P	0UN057	ELECTROVANNE 3V SANS BOBINE	ELECTOVALVE 3W WITHOUT COIL
RR38	0UN119	JOINT TORIQUE 1,78X4,48 EPDM	GASKET - 4,48 X 1,78
TC80	0UN211	JOINT TORIQUE 1,78X2,90 FKM	GASKET 1.78X2.90 FKM

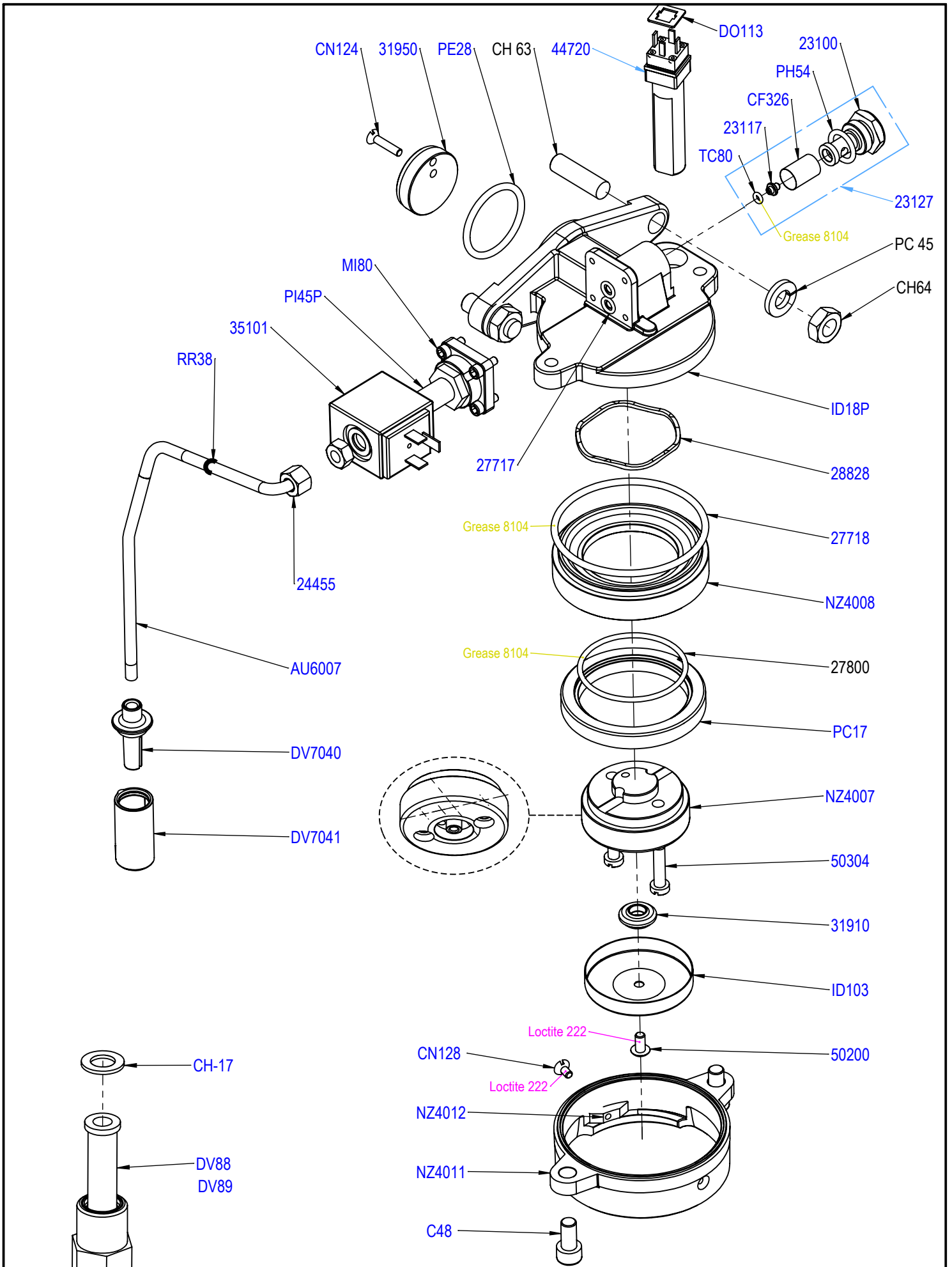


PLANCHE - PLATE 352

REF	ELUX	DESIGNATIONS FR	DESIGNATIONS GB
23100		PORTE GICLEUR	GICLUER HOLDER
23117	0UN134	GICLEUR DIAM:0,7	JET DIAM. 0.7
23127	0UN131	KIT PORTE GICLEUR Ø0.7	GICLUER Ø 0.7 KIT
24455		ECROU 1/8	NUT 1/8
27717	0UNBFW	JOINT TORIQUE 1,78 X 6,07	GASKET 1.78 X 6.07
27718	0UN091	JOINT PISTON MOBILE 3.53 X 74.61	O RING 3.53 X 74.61
27800	0UN122	JOINT TORIQUE 2.62 X 52.07 NBR	GASKET 2.62 X 52.07
28828	0UN050	RONDELLE RESSORT Ø54	RONDELLE RESSORT Ø54
31910	0UNBJB	RONDELLE DIFFUSEUR GROUPE	WASHER DIFFUSER
31950		ISOLANT TEFLON BLANC ep:10mm	INSULATOR
35101		BOBINE 24V 60Hz - 13 WATT UL	COIL 24V 60Hz - 13 WATT UL
44720	0UN138	CAPTEUR DE COUPE COMPLET	FILTER HOLDER SENSOR KIT
50200	0UN682	VIS TH M4 X 12 INOX	S.STEEL SCREW M4X12
50312		VIS TH M6 X 50	SCREW M6 X 50
51600		RONDELLE INOX MOYENNE DE 5	WASHER
AU4003		PIED ALU AURA	ALUMINIUM FOOT
AU6007		TUBE DECOMPRESSION GR AURA	DECOMPRESSION GROUP PIPE
C48	0UN963	VIS TCHC M8X16 INOX	SCREW M8 X 16
CF326	0UNBPS	FILTRE INOX D.int=12 H=17,5	FILTER D:12 H:17,5
CH17	0UN972	JOINT CUIVRE RECUIT 1/2	WASHER - COPPER - 1/2
CH63		GOUJON ACIER NICKELE M10	SCREW M10 -STUD
CH64		ECROU ACIER ZN Hu 10	NUT M10
CN124	0UNA1R	VIS INOX TF 4 x 20	SCREW M4 X 20
CN128	0UNA7E	VIS INOX TF M4 X 8	SCREW M4 X 8
DO113	0UNBO8	JOINT CONNECTEUR	GASKET CONNECTOR
DV7040	0UNBLV	EMBOUT DE DECOMPRESSION	DECOMPRESSION TIP
DV7041	0UNBLW	CORPS EMBOUT DE DECOMPRESSION	DECOMPRESSION TIP HOUSING
DV88	0UN495	BOUCHON	PLUG
DV89	0UNBPG	TUBE ALIM. POUR PHOENIX-R	MIXING TUBE-TEFLON-GROUP
ID18P	0UNBM8	CORPS DE GROUPE INJECTION CREMA	CREMA GROUP BODY - INJECTION
MI80	0UN944	VIS TCHC M4x12 INOX	SCREW M4 X 12
NZ4008	0UNBNG	PISTON MONOGROUPE	SINGLE GROUP PISTON
NZ4011	0UNBNI	PORTE COUPE BUTEE	BOWL HOLDER
NZ4012	0UNBNJ	BUTEE DE COUPE	FILTER HOLDER STOP
NZ4019		RACCORD NOURRICE	LEADER FITTING
PC17	0UN128	JOINT DE COUPE 57 x 75 x 9	HEAD GASKET 9mm
PC45		RONDELLE GROVER DE 10	WASHER
PE28	0UN102	JOINT TORIQUE 3,53X36,09 FKM	GASKET - 36.09 x 3.53
PH54	0UN133	JOINT TORIQUE 2,62X13,95 EPDM	O RING - 13.95 x 2.62
PI45P	0UN057	ELECTROVANNE 3V SANS BOBINE	ELECTOVALVE 3W WITHOUT COIL
RR38	0UN119	JOINT TORIQUE 1,78X4,48 EPDM	GASKET - 4,48 X 1,78
TC80	0UN211	JOINT TORIQUE 1,78X2,90 FKM	GASKET 1.78X2.90 FKM

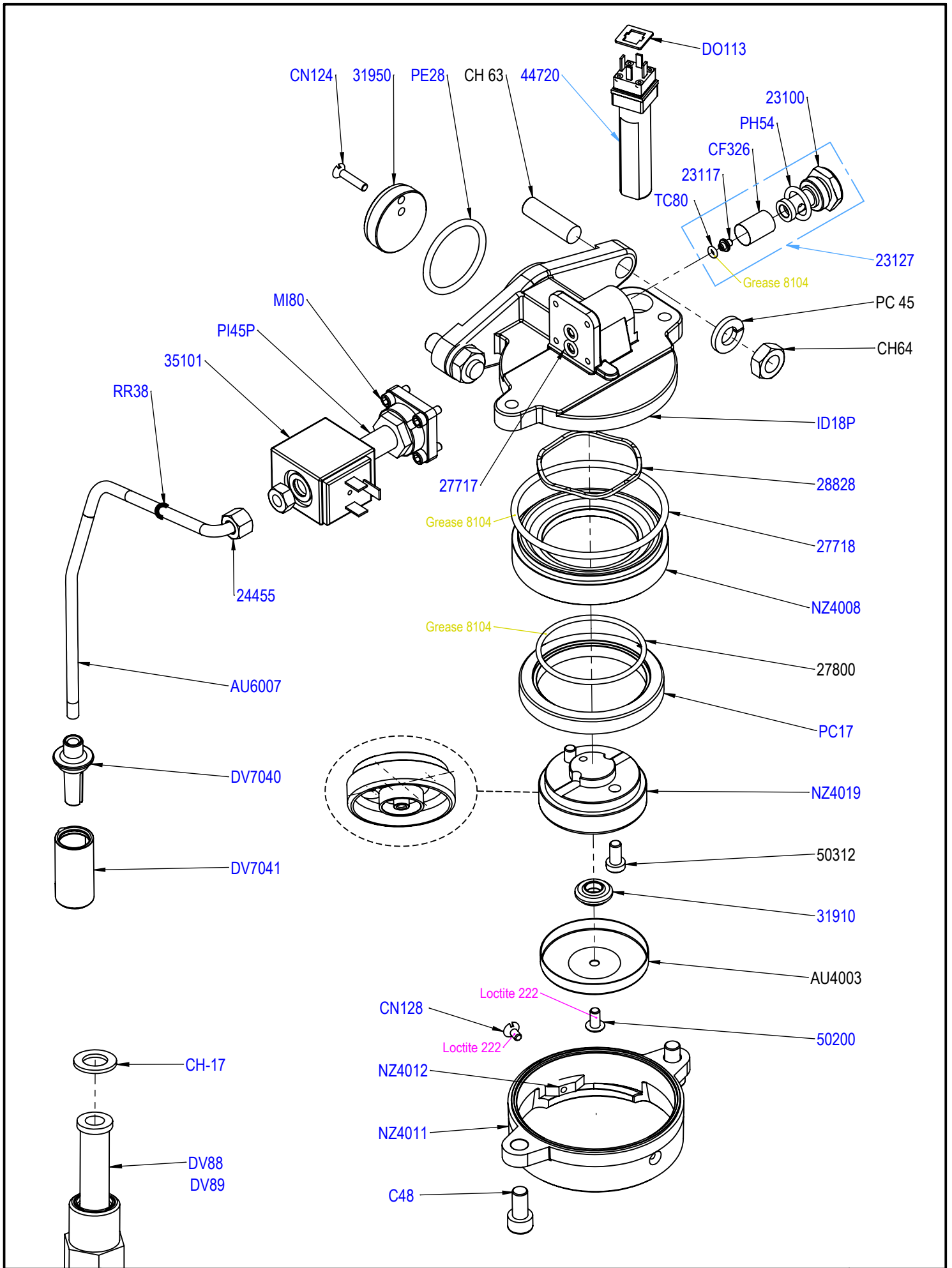


PLANCHE - PLATE 494

REF	ELUX	DESIGNATIONS FR	DESIGNATIONS GB
33041	0UN143	PORTE AIMANT 1 T COMPLET	1 CUP MAGNET HOLDER
33042	0UN142	PORTE AIMANT 2 T COMPLET	2 CUPS MAGNET HOLDER
33103		COUPE NUE POUR CAPTEUR	FILTER HOLDER BODY WITH SENSOR
33106	0UNBJK	BOUCHON POIGNEE DE COUPE	TAP FOR HANDLE
33146	0UNBJO	POIGNEE DE COUPE	HANDLE
33147	0UNBJP	AXE POIGNEE DE COUPE	AXLE FOR HANDLE
33161	0UNBJQ	COUPE COMPLETE 1T AVEC CAPTEUR	1 CUP FILT. HOLDER WITH SENSOR
33162	0UNBJR	COUPE COMPLETE 2T AVEC CAPTEUR	2 CUP FILT. HOLDER WITH SENSOR
33381	0UN965	BEC 1 T CHROME	1 CUP SPOUT
33382	0UNBJS	BEC 2T CHROME	2 CUPS SPOUT
33384	0UN514	OBTURATEUR BEC 1T	1 CUP OBTURATOR
33385	0UNBJT	OBTURATEUR BEC 2T	2 CUPS OBTURATOR
33420	0UNBPT	FILTRE 1 TASSE	1 CUP FILTER
33424	0UNBPQ	FILTRE 2 TASSES PENTAGONAL	2 CUPS FILTER
CF199	0UN263	RONDELLE ACIER ZN 8x22x1,5	STEEL WASHER 8x22x1,5
DO195	0UNA1L	VIS ACIER INOX TC 4 X 12	SCREW M4 X 12
DO2		PORTE AIMANT	MAGNET HOLDER
DO54	0UNA1A	AIMANT DIAM 3 L:10mm	MAGNET DIA:3 L:10mm
DO95	0UNBPB	JOINT PORTE-AIMANTS	MAGNET HOLDER JOINT
PA85A	0UNBNW	RESSORT DE COUPE DIAM:1.3	FILTER SPRING DIAM:1.3
PE12	0UN430	ECROU M8	NUT M8
RR83	0UN592	RONDELLE GROVER DE 8	WASHER 8

Disposition du sens des aimants DO54
 Layout direction of the magnets DO54

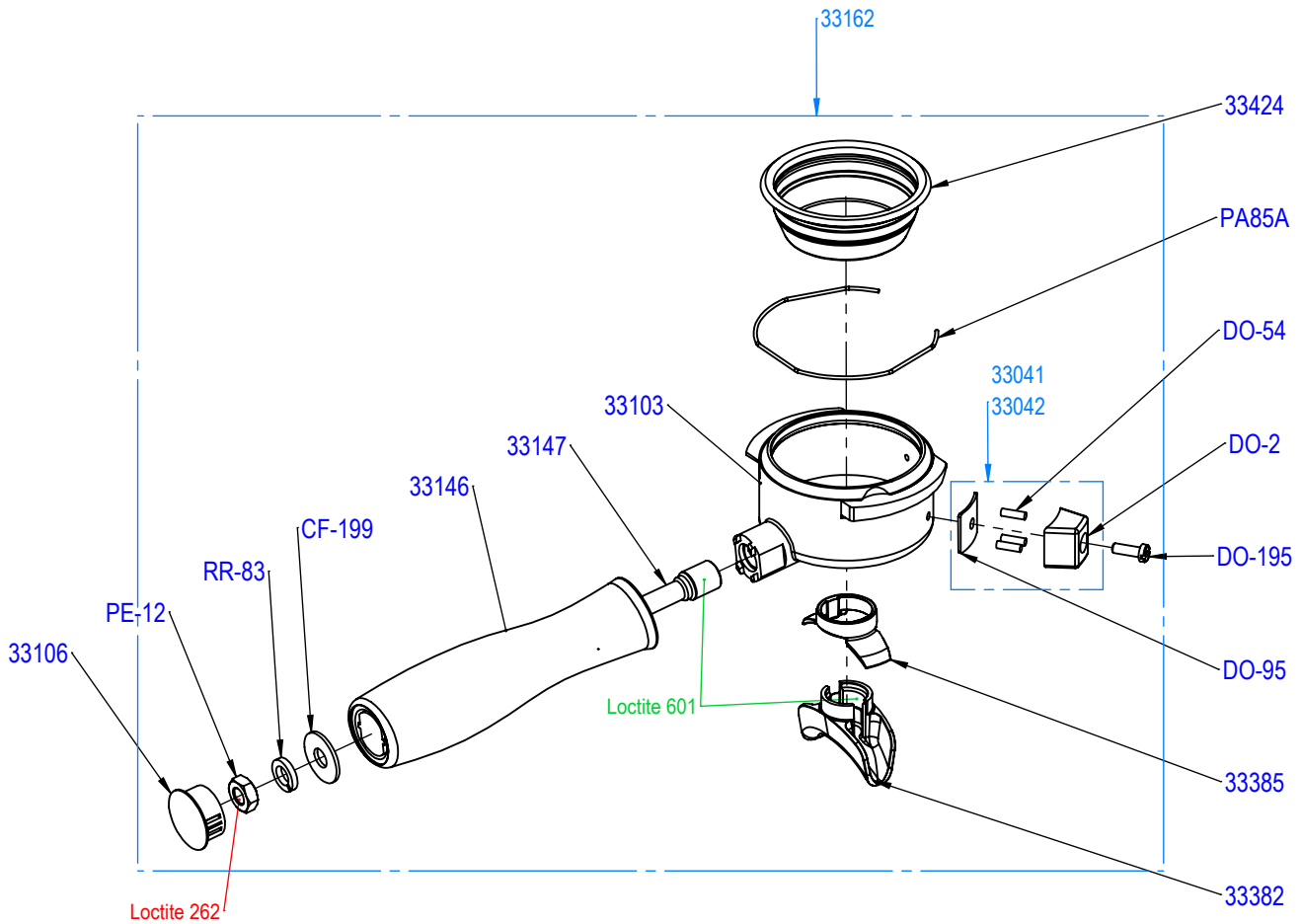
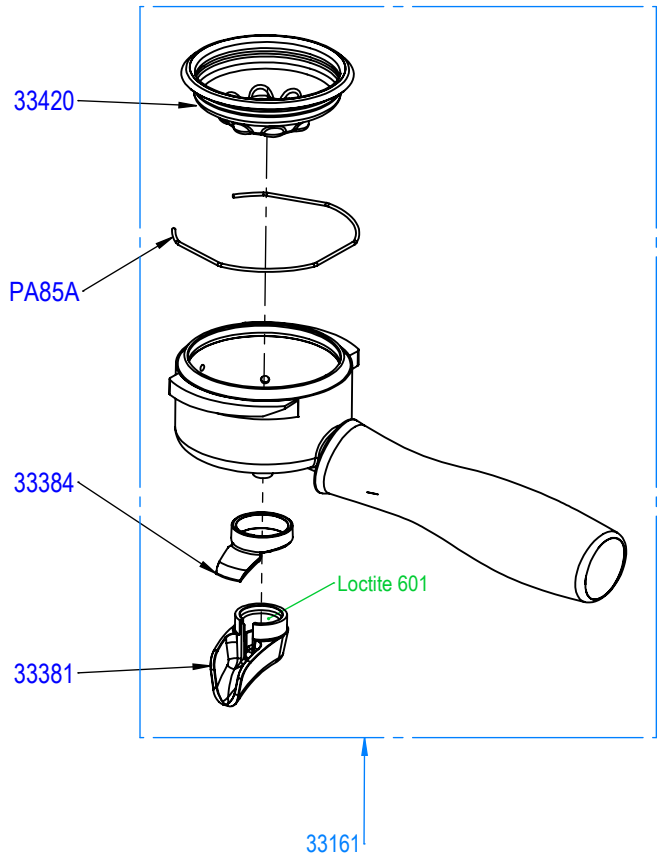
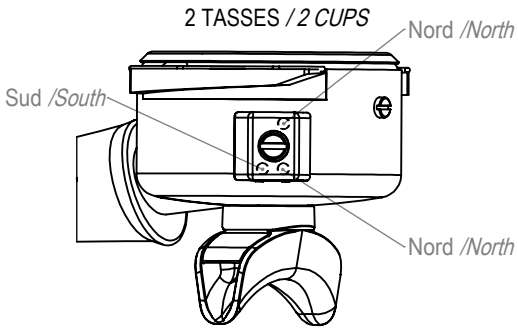
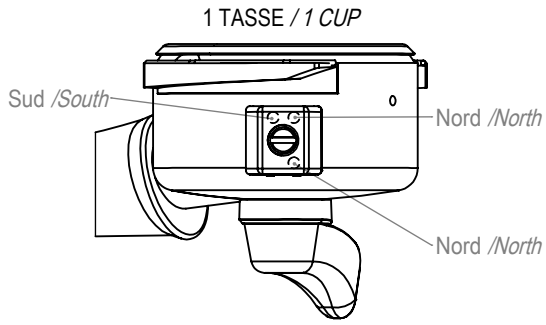


PLANCHE - PLATE 497

REF	ELUX	DESIGNATIONS FR	DESIGNATIONS GB
33007		KIT PORTE AIMANT RFID 1T	1 CUP KIT RFID MAGNET HOLDER
33008		KIT PORTE AIMANT RFID 2T	2 CUP KIT RFID MAGNET HOLDER
33015		SUPPORT AIMANTS RFID	MAGNET HOLDER RFID
33016		JOINT POUR SUPPORT AIMANTS RFID	GASKET
33017		CHIP RFID 1 TASSE	1 CUP CHIP RFID
33018		CHIP RFID 2 TASSES	2 CUPS CHIP RFID
33103		COUPE NUE POUR CAPTEUR	FILTER HOLDER BODY WITH SENSOR
33106	0UNBJK	BOUCHON POIGNEE DE COUPE	TAP FOR HANDLE
33146	0UNBJO	POIGNEE DE COUPE	HANDLE
33147	0UNBJP	AXE POIGNEE DE COUPE	AXLE FOR HANDLE
33171	0UNBXL	COUPE COMPLETE 1T AVEC RFID	1 CUP FILT. HOLDER WITH RFID
33172	0UNBXK	COUPE COMPLETE 2T AVEC RFID	2 CUP FILT. HOLDER WITH RFID
33381	0UN965	BEC 1 T CHROME	1 CUP SPOUT
33382	0UNBJS	BEC 2T CHROME	2 CUPS SPOUT
33384	0UN514	OBTURATEUR BEC 1T	1 CUP OBTURATOR
33385	0UNBJT	OBTURATEUR BEC 2T	2 CUPS OBTURATOR
33420	0UNBPT	FILTRE 1 TASSE	1 CUP FILTER
33424	0UNBPQ	FILTRE 2 TASSES PENTAGONAL	2 CUPS FILTER
CF199	0UN263	RONDELLE ACIER ZN 8x22x1,5	STEEL WASHER 8x22x1,5
DO195	0UNA1L	VIS ACIER INOX TC 4 X 12	SCREW M4 X 12
DO54	0UNA1A	AIMANT DIAM 3 L:10mm	MAGNET DIA:3 L:10mm
PA85A	0UNBNW	RESSORT DE COUPE DIAM:1.3	FILTER SPRING DIAM:1.3
PE12	0UN430	ECROU M8	NUT M8
RR83	0UN592	RONDELLE GROVER DE 8	WASHER 8

Disposition du sens des aimants DO54
 Layout direction of the magnets DO54

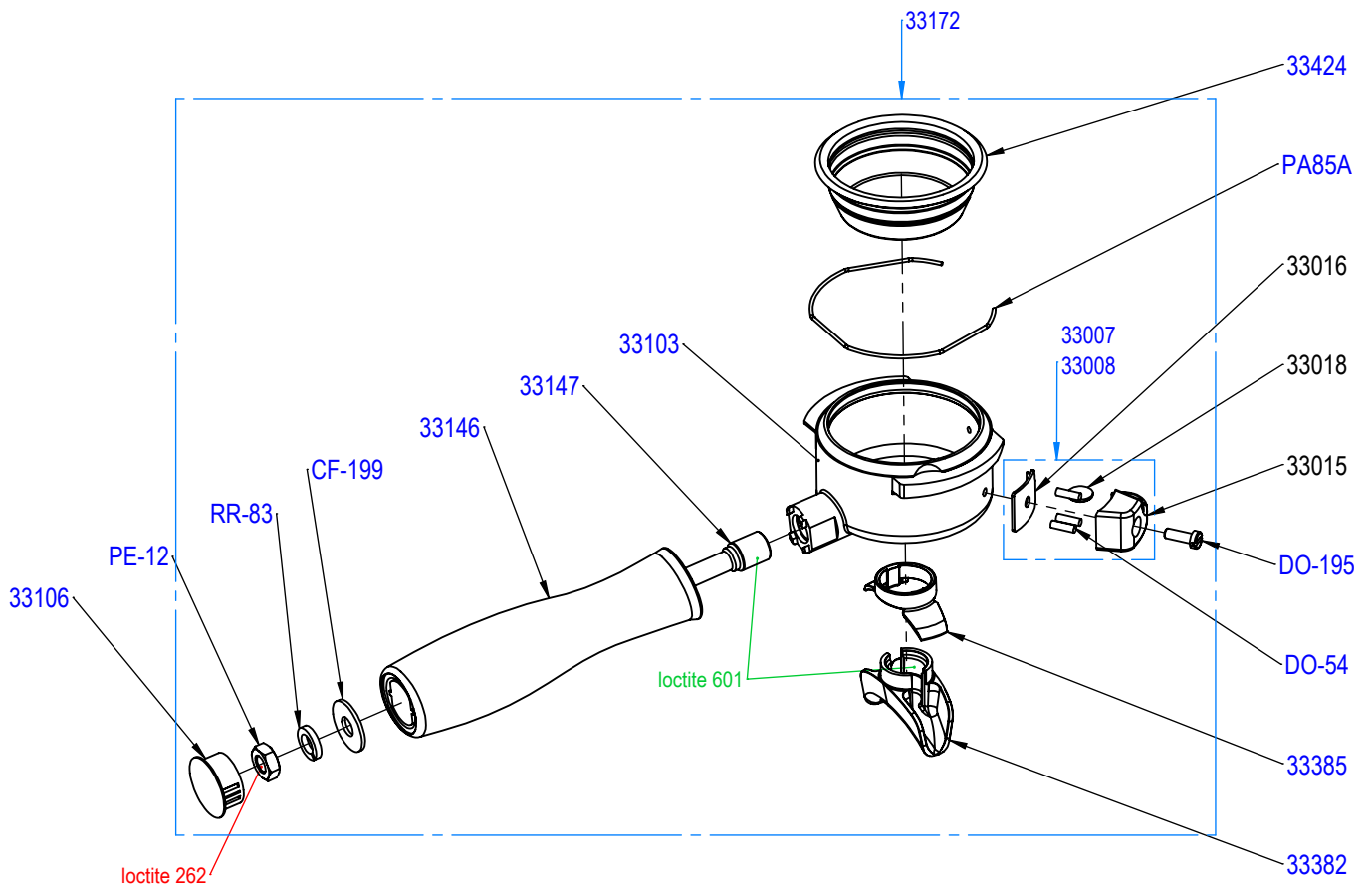
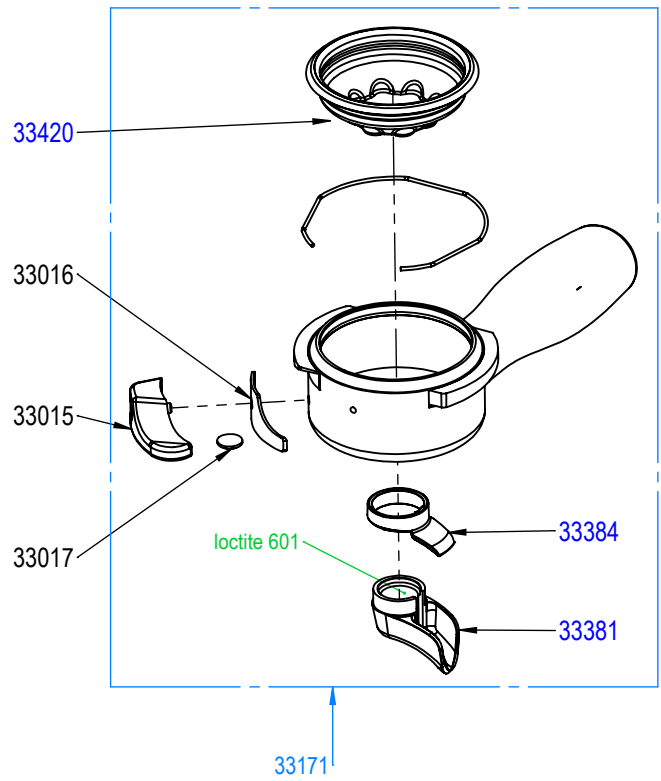
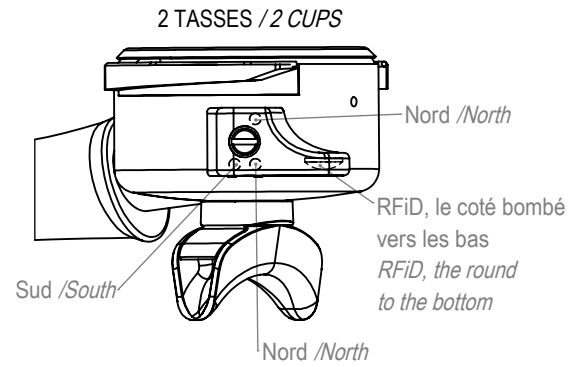
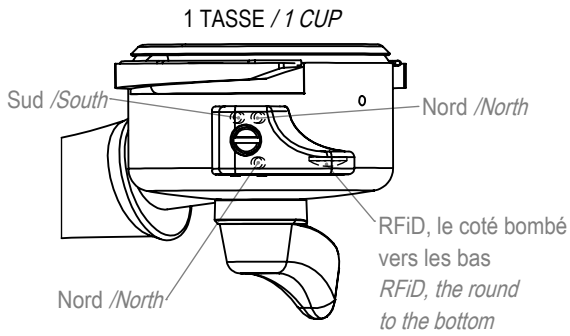


PLANCHE - PLATE 498

REF	ELUX	DESIGNATIONS FR	DESIGNATIONS GB
33102		COUPE NUE	<i>FILTER HOLDER BODY</i>
33106	0UNBJK	BOUCHON POIGNEE DE COUPE	<i>TAP FOR HANDLE</i>
33146	0UNBJO	POIGNEE DE COUPE	<i>HANDLE</i>
33147	0UNBJP	AXE POIGNEE DE COUPE	<i>AXLE FOR HANDLE</i>
33181		COUPE COMPLETE 1T	<i>1 CUP FILTER HOLDER</i>
33182		COUPE COMPLETE 2T	<i>2 CUPS FILTER HOLDER</i>
33381	0UN965	BEC 1 T CHROME	<i>1 CUP SPOUT</i>
33382	0UNBJS	BEC 2T CHROME	<i>2 CUPS SPOUT</i>
33384	0UN514	OBTURATEUR BEC 1T	<i>1 CUP OBTURATOR</i>
33385	0UNBJT	OBTURATEUR BEC 2T	<i>2 CUPS OBTURATOR</i>
33420	0UNBPT	FILTRE 1 TASSE	<i>1 CUP FILTER</i>
33424	0UNBPQ	FILTRE 2 TASSES PENTAGONAL	<i>2 CUPS FILTER</i>
C16	0UNA5S	RONDELLE ACIER NICKLE M8	<i>WASHER 8</i>
PA85A	0UNBNW	RESSORT DE COUPE DIAM:1.3	<i>FILTER SPRING DIAM:1.3</i>
PE12	0UN430	ECROU M8	<i>NUT M8</i>
RR83	0UN592	RONDELLE GROVER DE 8	<i>WASHER 8</i>

 Loctite 601

 Loctite 262

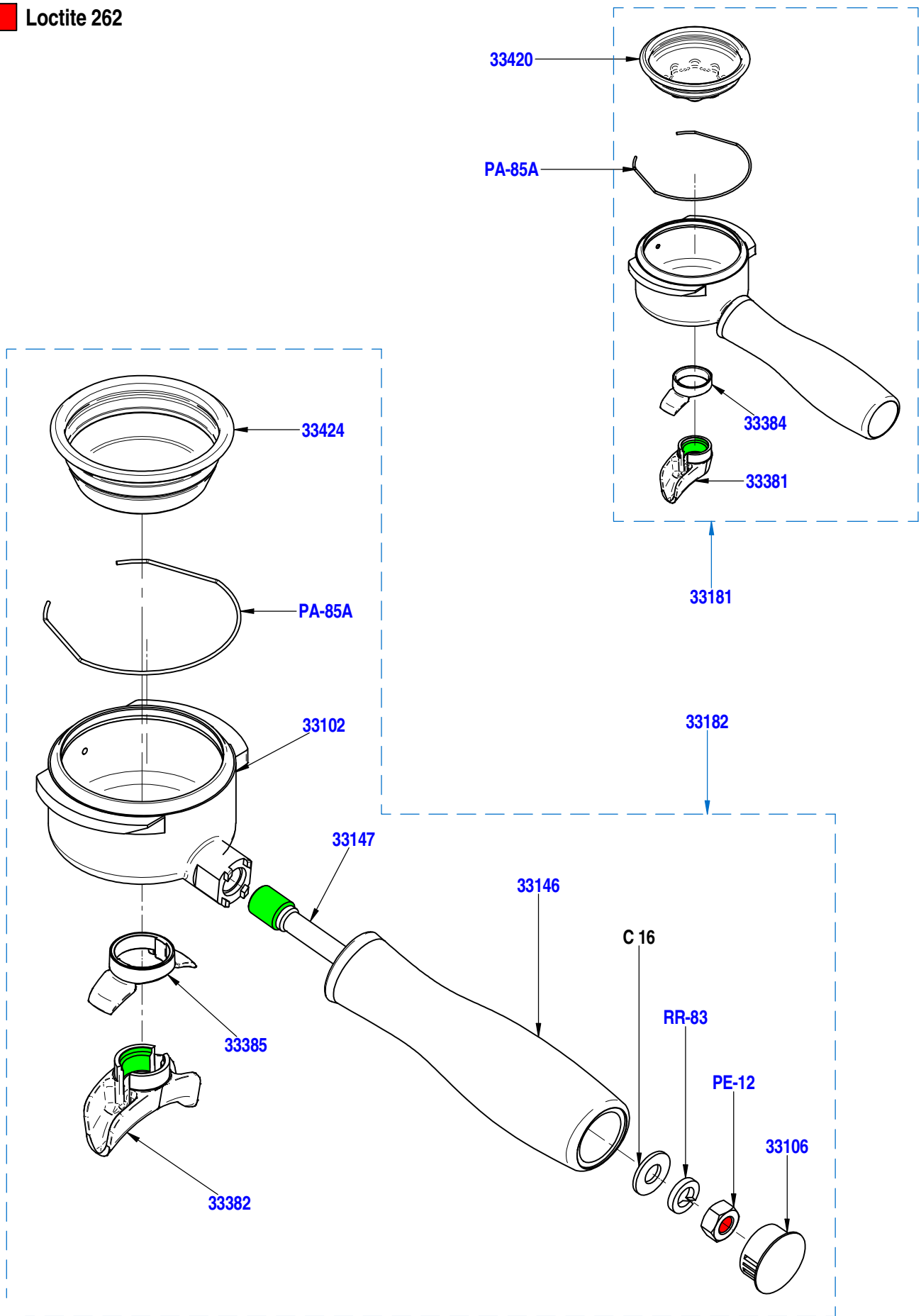


PLANCHE - PLATE 501

REF	ELUX	DESIGNATIONS FR	DESIGNATIONS GB
29811	0UN457	ELEMENT CHAUFFANT 230V 2730W	HEATING ELEMENT 230V 2730W
29812	0UN083	ELEMENT CHAUFFANT 230V4370W	HEATING ELEMENT 230V 4370W
29815	0UN331	CACHE RESISTANCE	INSULATOR BOOT
34202	0UN077	THERMOSTAT SECURITE 160C TRI UL	THERMOSTAT 160C UL
42402		ENTRETOISE PLASTIQUE FIX CARTE	PLASTIC PCB SUPPORT
43403		INTERRUPTEUR ON OFF	ON OFF SWITCH
43430		COMMUTATEUR A CAME UL/CSA	SWITCH UL/CSA
44201	0UN018	TRANSFO TOROIDAL 70 Va/230V-24V PONY 2,4	TRANSFORMER 70 Va / 230V-24V PONY 2,4
44410	0UN169	RELAIS STATIQUE 25A	SOLID STATE RELAY 25A
44706		FILTRE ANTIPARASITE RC 250Vac	RC FILTER
44709AO		Clé USB programmée AURA	Programmed USB key
45355	0UN027	CARTE CPU	CPU BOARD
50125	0UNA68	VIS TB CRUCIFORME A EMBASE M4 x 8	CRUCIFORM SCREW M4 x 8
AE50	0UN833	BORNIER GM GRIS	TERMINAL BLOCK GREY
AE51	0UN762	BORNIER GM BLEU	TERMINAL BLOCK BLUE
AE52	0UN763	BORNIER TERRE VERT-JAUNE	TERMINAL BLOCK - GREEN/YELLOW
AU2005		SUPPORT CPU	CPU HOLDER
C16	0UNA5S	RONDELLE ACIER NICKLE M8	WASHER 8
CN128	0UNA7E	VIS INOX TF M4 X 8	SCREW M4 X 8
CN343	0UNA3M	RONDELLE EVENTAIL 4	WASHER 4
CN630	0UN644	BARETTE DE JONCTION 3 PLOTS	3 STUDS STRIP
CN661	0UN184	ECROU CAGE M4, EP 1/1.6	INSERT NUT M4
CN724	0UN686	SUPPORT BORNIER L=95 mm	RAIL
CV20	0UN090	JOINT TORIQUE 3,53X66,68 FKM	GASKET - 66.68 x 3.53
CV3	0UN964	VIS TH M8 x 20 INOX	S.STEEL SCREW M8 x 20
ED112		ETIQUETTE BORNIER	TERMINAL STICKER
ID68A		CACHE DE COMMUTATEUR	TERMINAL COVER
NZ2008		SUPPORT TRANSFORMATEUR	TRANSFORMER SUPPORT
PE12	0UN430	ECROU M8	NUT M8
PG14	0UN277	ECROU M4	NUT M4
RO13	0UNA3U	VIS INOX TC 4 x 10	SCREW M4 X 10 -
RO13	0UNA3U	VIS INOX TC 4 x 10	SCREW M4 X 10 -
S11		RONDELLE ACIER CADMIE	WASHER

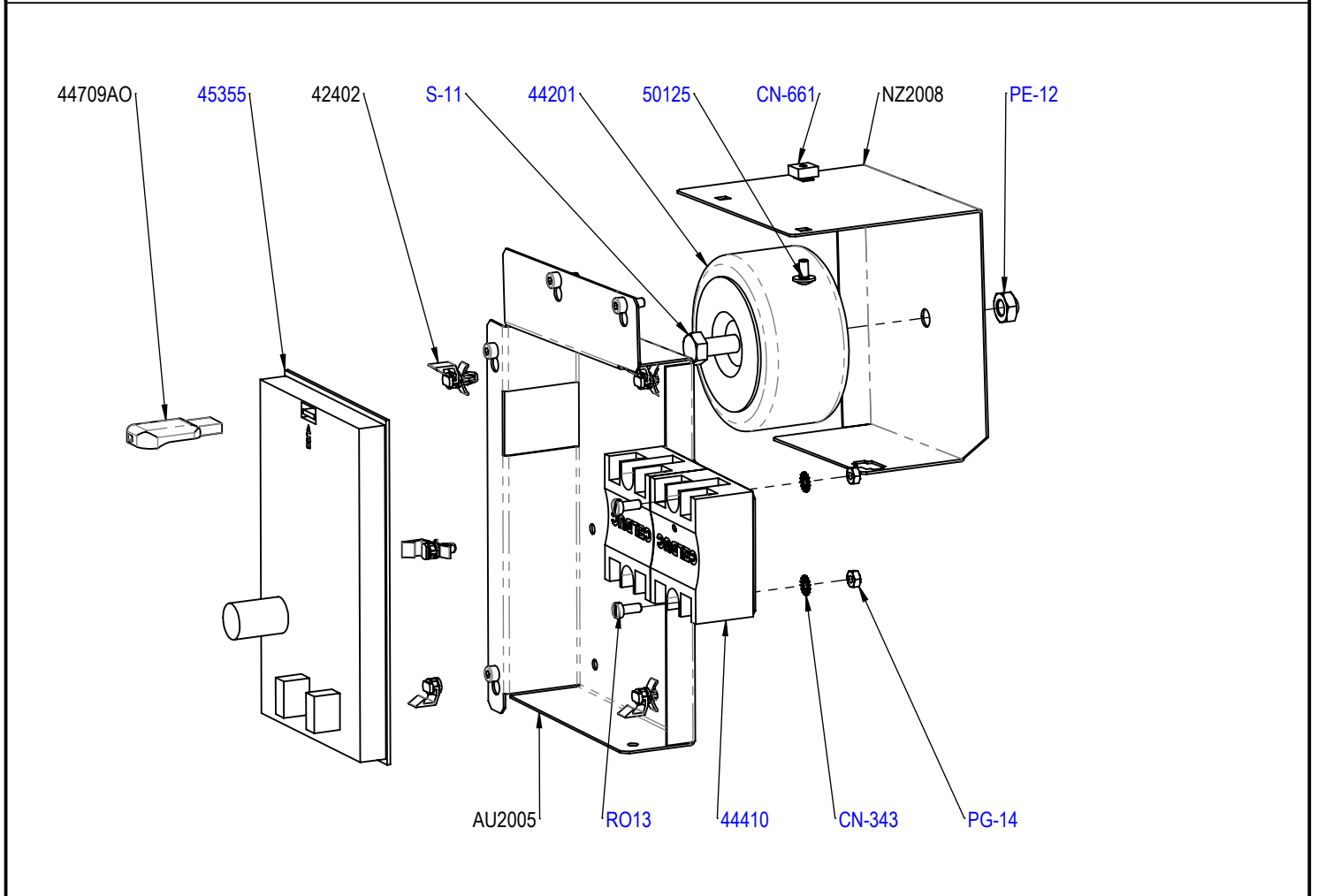
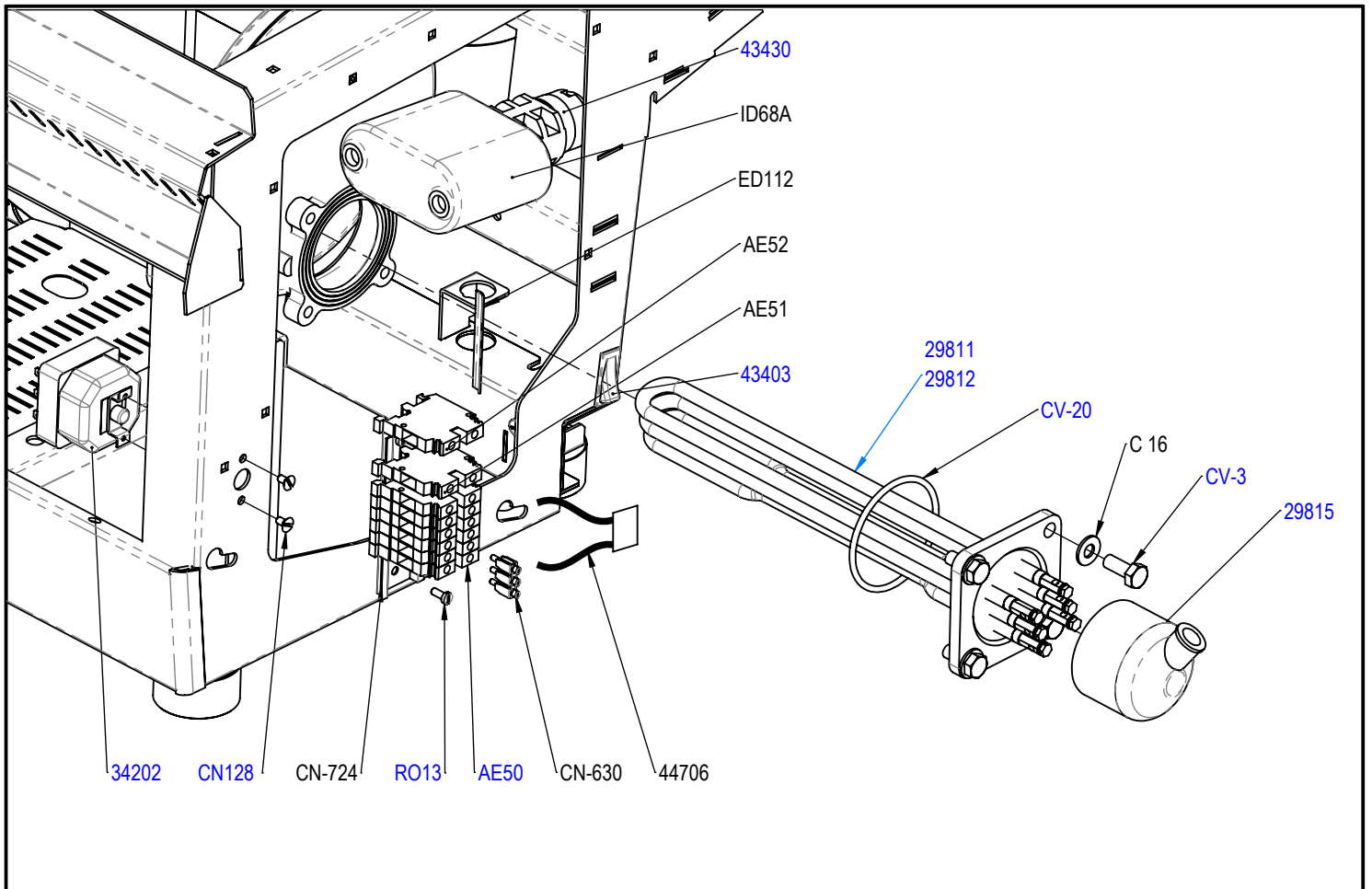


PLANCHE - PLATE 512

REF	ELUX	DESIGNATIONS FR	DESIGNATIONS GB
43101	0UN064	FUSIBLE 5 X 20 3,15A 250V RETARDE T	FUSE 3,15A DELAYED
43102	0UN062	FUSIBLE 5 X 20 4A 250V RETARDE T	FUSE 4A DELAYED
43116	0UN118	FUSIBLE 5 X 20 2A RETARDE T	FUSE 2A DELAYED
45355	0UN027	CARTE CPU	CPU BOARD

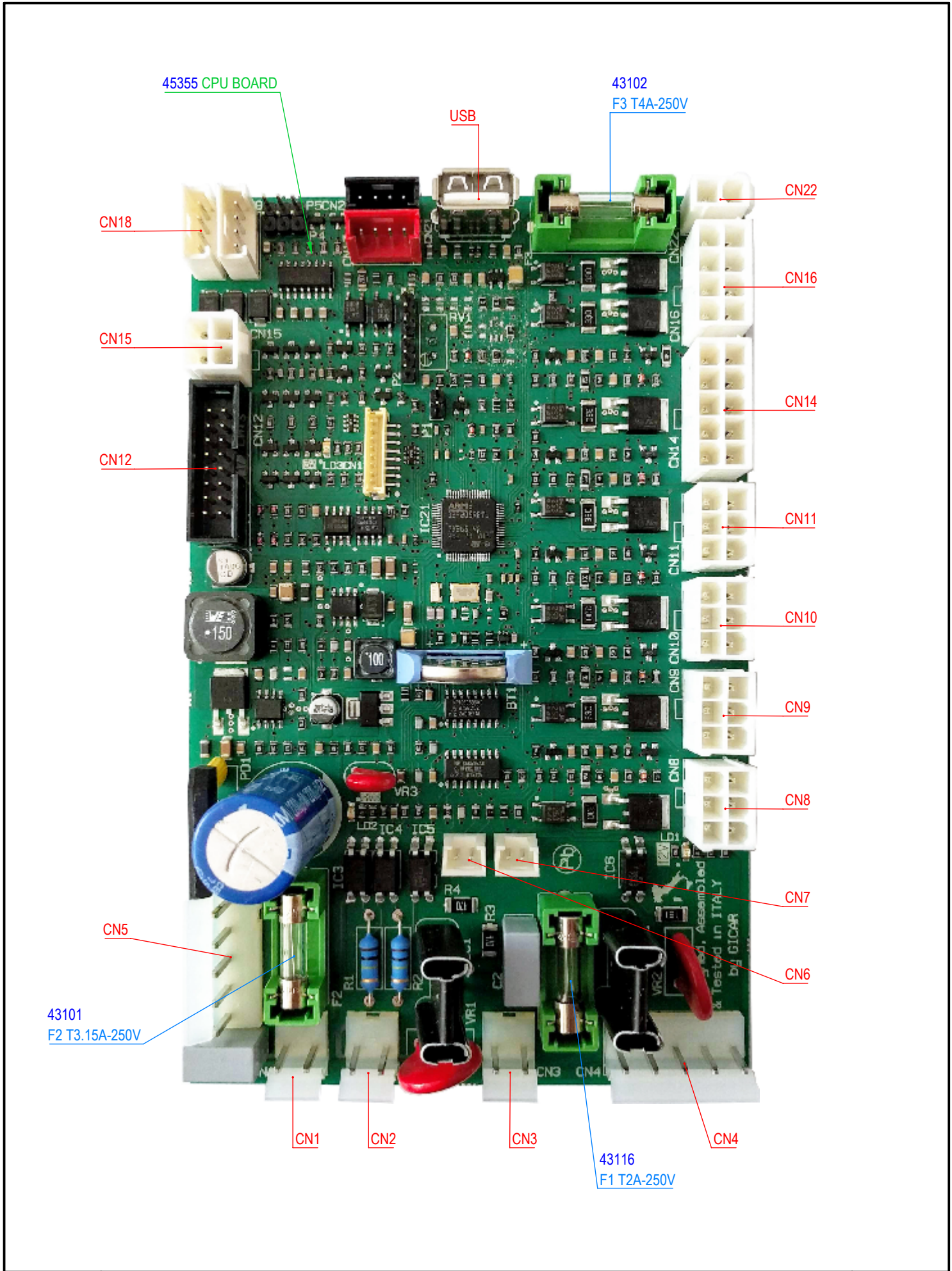


PLANCHE - PLATE 513

REF	ELUX	DESIGNATIONS FR	DESIGNATIONS GB
44704		FILTRE SONDE STEAMAIR	STEAMAIR PROBE FILTER
AU8003		CABLE COMMUTATEUR AURA UL/EUROPE	SWITCH WIRE
AU8004		CABLE D'ALIMENTATION	ALIMENTATION WIRE
AU8008	0UN834	CÂBLE D'ALIMENTATION GÉNÉRALE UL	UL GENERAL FEEDING CABLE
AU8020		CABLE GROUPES	GROUPS WIRE
AU8021		CABLE POMPE,REMPLISSAGE,CAPTEUR PRESSION	FILLING, PUMP, PRESSURE SENSOR WIRE
AU8022		CABLE COMMANDE RELAIS STATIQUES	STATIC RELAYS WIRE
AU8023		FIL SONDE DE NIVEAU	PROBE WIRE
AU8024		CABLE CONNECTION TRANSFO/CARTE MERE	CONNEXION MOTHERBOARD/TRANSFO WIRE
AU8026		CABLE SECURITE	SECURITY WIRE
AU8027		CABLE NAPPE BOITIER	ELECTRICAL BOXES WIRE
NM8000	0UN580	CÂBLE THERMOSTAT SÉCURITÉ RÉSISTANCE	HEATING ELEMENT SAFETY THERMOSTAT
NM8001		CABLE DE RESISTANCE	HEATING ELEMENT WIRE
NZ8007	0UNBXJ	CABLE DOSAMAT	DOSAMAT CABLE
CN1		BORNIER	TERMINAL SWITCH
CN2		SECURITE	SECURITY
CN3		POMPE	PUMP
CN5		TRANSFORMATEUR 24V/230V	TRANSFORMER 24V/230V
CN6		RELAIS STATIQUES	STATIC RELAYS
CN7		RELAIS STATIQUES	STATIC RELAYS
CN8		ELECTROVANNE ET DOSEUR D'EAU GROUPE 1	ELECTROVALVE & VOLUMETRIC DOSER GROUP 1
CN9		ELECTROVANNE ET DOSEUR D'EAU GROUPE 2	ELECTROVALVE & VOLUMETRIC DOSER GROUP 2
CN10		ELECTROVANNE ET DOSEUR D'EAU GROUPE 3	ELECTROVALVE & VOLUMETRIC DOSER GROUP 3
CN12		BOITIERS ELECTRONIQUES	ELECTRONIC BOX
CN14		EV & DOSEUR D'EAU, EV VAPEUR, SONDE NIVEAU	EV & DOSER HOT WATER, EV STEAM, LEVEL PROBE
CN15		LED ECLAIRAGE TASSES	LIGHTING CUPS
CN16		EV REMPLISSAGE, CAPTEUR PRESSION, SONDE	PROBE, EV FILLING, PRESSURE SENSOR
CN18		LED ECLAIRAGE TASSES	LIGHTING CUPS
CN22		ALIMENTATION INTERRUPTEUR	POWER SWITCH

REF	DESIGNATION FR	DESIGNATION EN	C.N.	PIN	DESIGNATION PIN
44704	FILTRE SONDE STEAMAIR	STEAMAIR PROBE FILTER			
AU8003	CABLE COMMUTATEUR BORNIER	TERMINAL SWITCH WIRE			
AU8004	CABLE ALIMENTATION (EUROPE)	POWER WIRE (EUROPE)			230/400 V
AU8008	CABLE ALIMENTATION (UL/CSA)	POWER WIRE (UL/CSA)			110 V
AU8020	CABLE GROUPES	GROUPS WIRE	CN8	1/6	EVG1
				2/3/5	DOG1
			CN9	1/6	EVG2
				2/3/5	DOG2
			CN10	1/6	EVG3
				2/3/5	DOG3
			CN14	1/6	EVSE
				3/4/9	DOE
				5/10	EVSU
				2/7	SNH
CN15		LED TASSES CUPS LIGHT			
CN18					
AU8021	CABLE POMPE,REPLISSAGE,CAPTEUR PRESSION	FILLING, PUMP, PRESSURE SENSOR WIRE	CN1	1/2	BORNIER 230 V
			CN3		POMPE 230 V
			CN16	1/6	EVRE
				2/6/7	CAPTEUR PRESSION
3	SNH				
AU8022	CABLE COMMANDE RELAIS STATIQUES	STATIC RELAYS WIRE	CN6		RELAIS STATIQUES 12 V STATIC RELAY 12 V
			CN7		
AU8023	CABLE COMMANDE CHAUFFE	HEATING WIRE			ENTREE RELAIS STATIQUES
AU8024	CABLE CONNECTION TRANSFO/CARTE MERE	CONNEXION BETWEEN MOTHERBOARD/TRANSFO WIRE	CN5	1/2	24 V
				4/5	230 V
AU8026	CABLE SECURITE	SECURITY WIRE	CN2		
AU8027	CABLE NAPPE BOITIER	ELECTRICAL BOXES WIRE	CN12		
NM8000	CABLE THERMOSTAT RESISTANCE	RESISTANCE THERMOSTAT WIRE			
NM8001	CABLE RESISTANCE XS	RESISTANCE XS WIRE			
NZ8007	CABLE DOSAMAT	DOSAMAT WIRE			DOSAMAT GROUPE
10/21	LISTES DES CABLES ELECTRICAL WIRES LISTING				513