



AUTOMATIC COFFEE APPLIANCE MACHINE A CAFÉ AUTOMATIQUE

TANGO ACE

1XX HABILLAGE

103	TANGO ACE
111	ENSEMBLE CHARIOT - BASSINE - PIED
112	ENSEMBLE DEVANT, TIROIR A MARC
113	ENSEMBLE BEC & PORTILLON
116	COTES MACHINE ACE
124	CALANDRE TANGO ACE
130	ENSEMBLE TRÉMIES
138	DESSUS TREMIES ACE
152	CHAUFFE TASSES SANS BOITE DK
153	CHAUFFE TASSES ACE
158	BOITE DK

2XX SORTIES EXTÉRIEURES

201	ENSEMBLE TUBE & EV SORTIE VAPEUR
221	SORTIE VAPEUR PTFE
232	SORTIE VAPEUR RÉGLABLE
241	SORTIE STEAMAIR V+
251	ENSEMBLE TUBE & EV SORTIE EAU CHAUDE
260	SORTIE EAU CHAUDE
270	SORTIE EAU CHAUDE RÉGLABLE

3XX HYDRAULIQUE

301	CIRCUIT HYDRAULIQUE 1 GR
310	SÉCURITÉ MANQUE D'EAU
321	POMPES 100L-200L
330	BLOC DOSEUR 1GR
340	CHAUDIÈRE VAPEUR-CAFÉ STANDARD
345	CHAUDIÈRE INTERNE 1GR
360	SYSTÈME DE NETTOYAGE
361	BLOC NETTOYAGE & VIDANGE
362	ÉLECTROVANNE DE NETTOYAGE
363	BLOC NETTOYAGE & VIDANGE V2
370	GOULOTTE D'ÉVACUATION

4XX CIRCUIT CAFÉ

401	MOULIN D:64
410	ENTONNOIR
415	ENSEMBLE NETTOYEUR

MACHINE CASING

TANGO ACE
SET TROLLEY, OVERFLOW TRAY & FEET
SET WASTE DRAWER, FRONT CASING
SET SPOUT & DOORS
SET SIDES
FRONT PANEL TANGO ACE
HOPPER UNIT
TOP HOPPER UNIT ACE
CUP WARMER WITHOUT DK BOX
CUP WARMER ASSEMBLED
DK BOX

EXTERNAL OUPUT

SET TUBE & EV STEAM OUTLET
PTFE STEAM OUTLET
ADJUSTABLE STEAM OUTLET
STEAMAIR V+ OUTLET
SET PIPE & EV HOT WATER OUTLET
HOT WATER OUTLET
ADJUSTABLE HOT WATER OUTLET

HYDRAULIC CIRCUIT

1 UNIT HYDRAULIC CIRCUIT
NO WATER SAFETY
100L-200L PUMPS
1 UNIT DOSING DEVICE
STANDARD STEAM-COFFEE BOILER
1 UNIT INTERNAL BOILER
CLEANING SYSTEM
CLEANING DEVICE & DRAIN
CLEANING ELECTROVALVES
CLEANING DEVICE & DRAIN
DRAIN CHUTE

COFFEE SYSTEM

GRINDER D:64
FUNNEL
CLEANNING DEVICE

420	GROUPE CAFÉ SANS PISTON (1P)	COFFEE UNIT WITHOUT PISTON (1P)
425	PISTON COMPLET	PISTON DEVICE
430	MOTEUR PLATEAU + SÉCURITÉ TIROIR	TURNTABLE MOTOR + DRAWER SAFETY
431	MOTEUR 37382 PLATEAU + SÉCURITÉ TIROIR	TURNTABLE MOTOR + DRAWER SAFETY
435	EV BEC	SPOUT EV
5XX	ÉLECTRONIQUE	ELECTRONIC SYSTEM
504	PLATINE CARTES ÉLECTRONIQUES ACE	ACE PANEL ELECTRONIC CARDS
505	CONNECTEURS CARTE MÈRE ACE	MOTHERBOARD CONNECTORS
506	FUSIBLES CARTE MÈRE ACE	MOTHERBOARD FUSES
510	COMPOSANTS ÉLECTRIQUES 1 GR	1 UNIT ELECTRICAL COMPONENTS
550	LISTE DES CÂBLES	ELECTRICAL WIRES LISTING
6XX	OPTION/KIT	OPTION/KIT
608	MODULE FRIGO AVEC AFFICHEUR	FRIDGE MODULE WITH DISPLAY
611	OPTION BLOC CAPPUCCINO	CAPPUCCINO DEVICE
612	OPTION BLOC CAPPUCCINO «EV NETTOYAGES»	«CLEANING EV» CAPPUCCINO DEVICE
613	OPTION BLOC CAPPUCCINO «CHAUDIÈRE 1 GR»	«1 UNIT BOILER» CAPPUCCINO DEVICE
620	MITIGEUR EAU CHAUDE	MIXED HOT WATER
630	BEC DÉPORTÉ POUR POT	SPOUT DEPORTED FOR JAR
660	TANGO ACE SELF / MONNAYEUR	TANGO ACE SELF / COINS
663	ENSEMBLE PORTILLONS SELF LC/MT	GATE FOR SELF LC/MT
665	CAISSON VALIDATEUR OU LECTEUR DE BADGE	VALIDATOR OR BADGE READER BOX
690	PIÈCES D'INSTALLATION ET ENTRETIEN	INSTALLATION & MAINTENANCE PARTS
691	KIT OUTILLAGE TECHNICIEN 99006	TECHNICIAN TOOLS KIT 99006

PLANCHE - PLATE 103

REF	ELUX	DESIGNATIONS FR	DESIGNATIONS GB
43211	0UN303	DISJONCTEUR	CIRCUIT BREAKER
46257		LOGO ELECTROLUX METAFLEX CHROME 50MM	50MM CHROME METAFLEX ELECTROLUX LOGO
46290	0UN962	AUTOCOLLANT UNIC NOIR	STICKER UNIC BLACK
46291	0UN679	AUTOCOLLANT UNIC BLANC	STICKER UNIC WHITE
46292		LOGO UNIC SOUS BASSINE 90	BELOW OVERFLOW TRAY LOGO
TG3014	0UN809	CHEMISE AR SOLO INOX	REAR CASING SOLO INOX
TG3014B	0UNA5L	CHEMISE AR SOLO NOIRE	REAR CASING SOLO BLACK
TG3014W	0UNA5M	CHEMISE AR SOLO BLANC	REAR CASING SOLO WHITE

for UNIC brand 46290
46291

TG3014
TG3014B
TG3014W

Option

46257 for ELUX brand

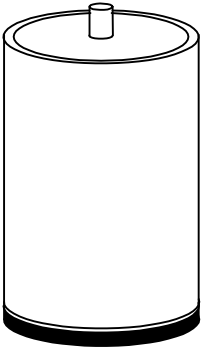
46292 for UNIC brand

43211

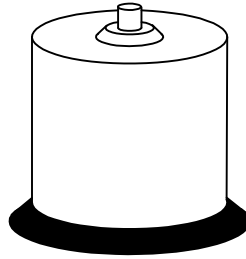
PLANCHE - PLATE 111

REF	ELUX	DESIGNATIONS FR	DESIGNATIONS GB
45939	0UN282	ADHESIF PIED MACHINE	STICKER FOOT
50204	0UN982	VIS TH M5 x 10 INOX	SCREW M5 X 10
50402		VIS TCHC TETE BASSE M8X16 INOX	S.STEEL SCREW M8 X 16
51100	0UNA5V	ECROU M5 INOX	NUT M5
51150	0UN871	ECROU NYLSTOP M6	NUT NYLSTOP M6
54000		PIED REGLABLE 71/79 VIS M8X15	ADJUSTABLE FOOT
54004		KIT PIED REGLABLE 71/79 VIS M8X15	KIT ADJUSTABLE FOOT
DV4030	0UN443	PIED ALU H30	FOOT H30
NM002	0UN502	PIED CAOUTCHOUC NOIR	FOOT
NM1068	0UN449	KIT 4 PIEDS ALU H30	HIGH FEET KIT
NM1069	0UN959	KIT 4 PIEDS ALU H44,5	HIGH FEET KIT
NM236	0UN371	PIED ALU D50 H44.5	FOOT H44.5
NZ7024	0UN315	PATIN PIED ARRIERE	REAR RUBBER FOOT
RB4002	0UN348	RONDELLE EPAULEE	WASHER
TG1005	0UN575	KIT CHARIOT BASSINE DUO	TROLLEY OVERFLOW TRAY KIT FOR DUO
TG1006	0UN546	KIT CHARIOT BASSINE SOLO	TROLLEY OVERFLOW TRAY KIT FOR SOLO
TG2000	0UNA5F	BASSINE TANGO DUO	DUO OVERFLOW TRAY
TG2001	0UNA5N	GRILLE DE BASSINE DUO	DUO OVERFLOW TRAY GRID
TG2002	0UNA69	DEVANT DE BASSINE DUO	FRONT OVERFLOW TRAY
TG2004	0UNA89	RONDELLE TOLE	SHEET METAL WASHER
TG2011	0UN947	BASSINE SOLO	SOLO OVERFLOW TRAY
TG2012	0UNA82	DEVANT DE BASSINE SOLO	SOLO FRONT OVERFLOW TRAY
TG2014	0UNA7L	GRILLE DE BASSINE SOLO	SOLO OVERFLOW TRAY GRID
TG2101		BASSINE TANGO SOLO	SOLO OVERFLOW TRAY
TG2102		BASSINE TANGO DUO	DUO OVERFLOW TRAY
TG4000	0UN489	ENJOLIVEUR JOUE DE BASSINE G	LEFT ORNAMENTAL OVERFLOW TRAY
TG4002	0UN490	ENJOLIVEUR JOUE DE BASSINE D	RIGHT ORNAMENTAL OVERFLOW TRAY
TG4005	0UN447	AXE JOUE DE BASSINE	AXLE
TG4006	0UN414	BAGUE EPAULEE	PLASTIC RING
TG7000	0UN294	JOUE DE BASSINE GAUCHE	LEFT ORNAMENTAL HOLDER
TG7002	0UN295	JOUE DE BASSINE DROITE	RIGHT ORNAMENTAL HOLDER

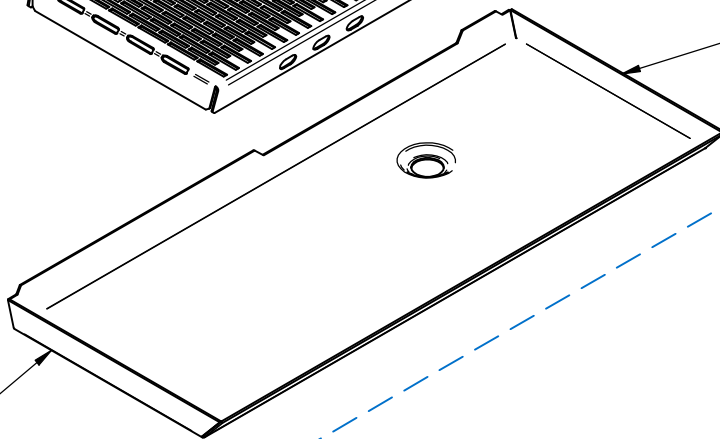
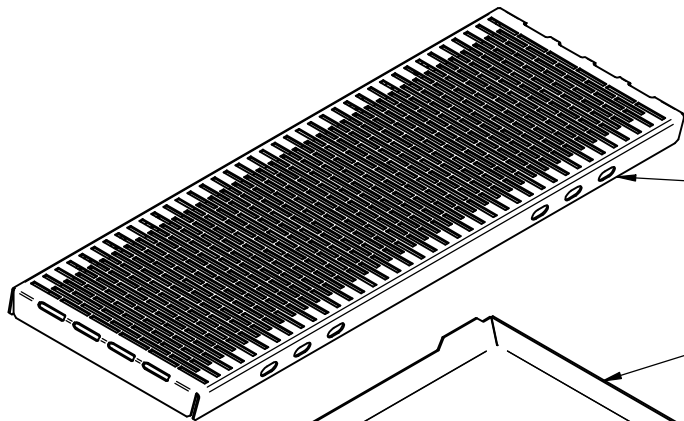
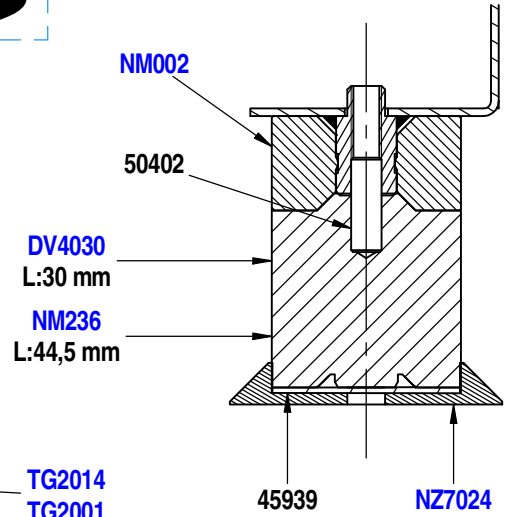
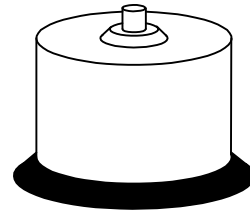
KIT PIED H71/79
 ref: 54000
 Kit ref: 54004



KIT PIED ALU H44.5
 REF: NM1069



KIT PIED ALU H30
 REF: NM1068



TG2101
TG2102
 (References of the basin when
 the cleaning device plate 363 is
 used on the appliance)

TG2011 (References of the basin when the cleaning
 device plate 361 is used on the appliance)
TG2000

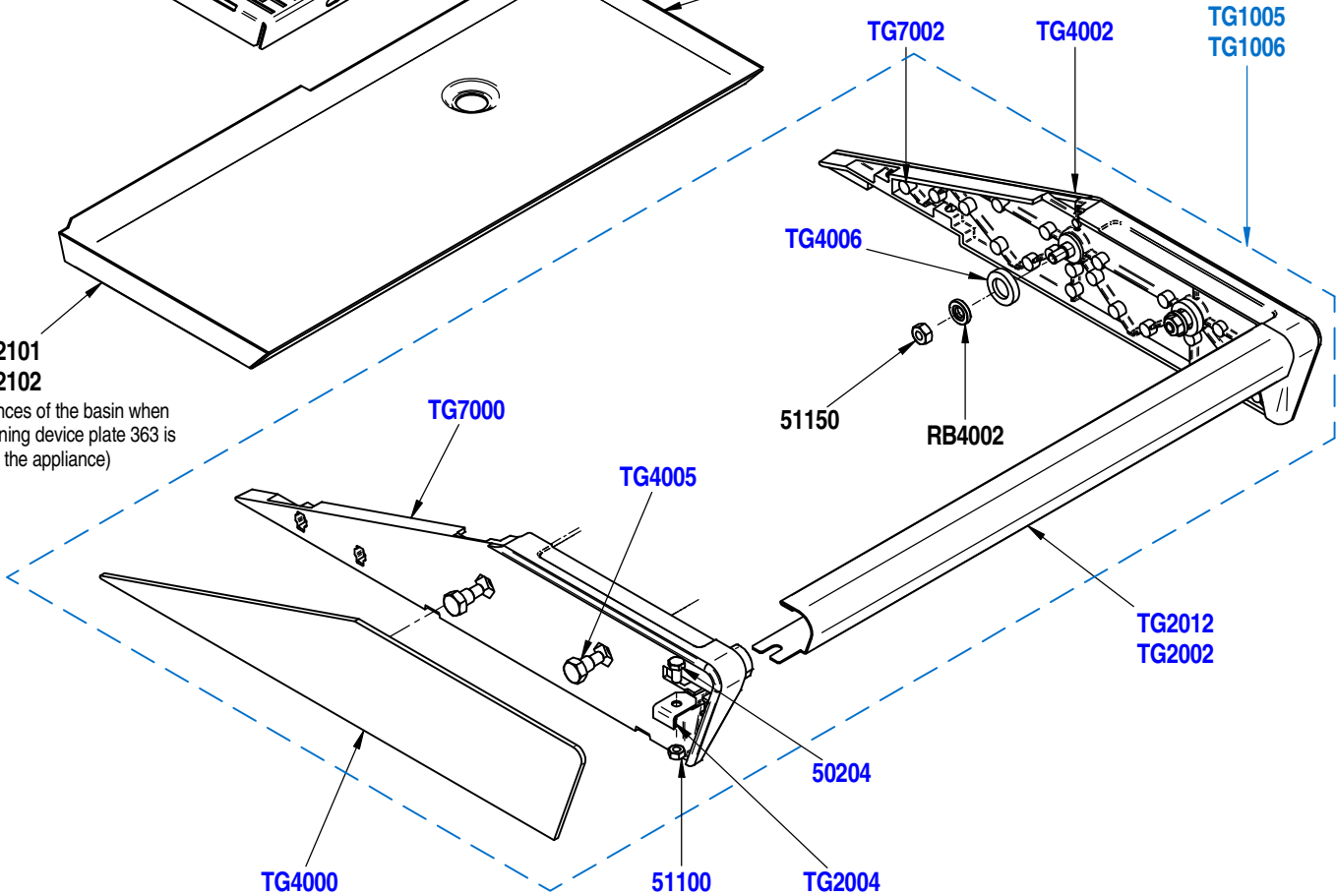
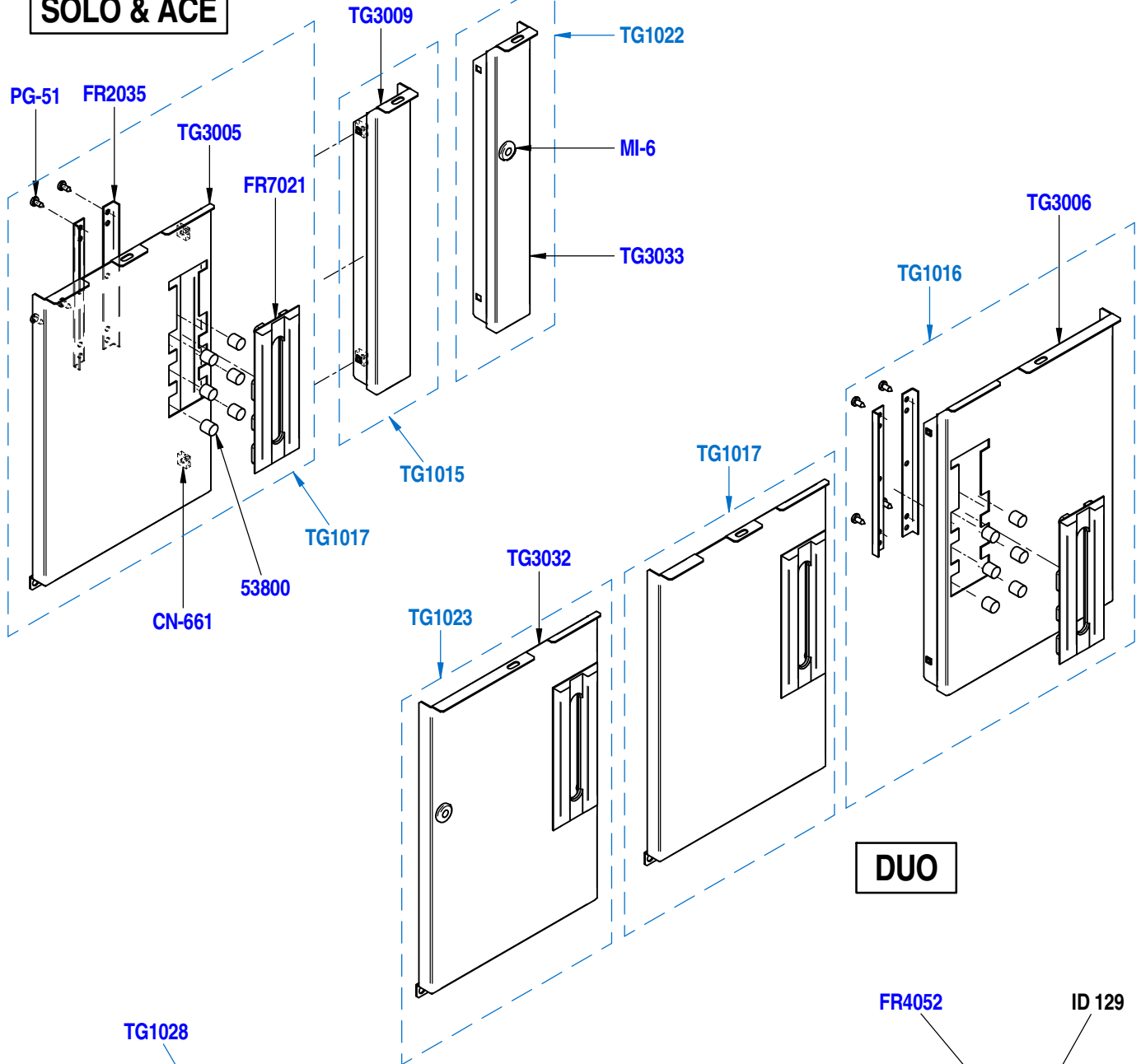


PLANCHE - PLATE 112

REF	ELUX	DESIGNATIONS FR	DESIGNATIONS GB
53800	0UNA05	AIMANT DIAM. 10 X 10	MAGNET 10 X 10
53820	0UN387	AIMANT BAC A MARC	MAGNET
CN305	0UN253	RONDELLE EN LAITON M3	BRASS RING M3
CN306	0UN997	VIS INOX TCHC 3 x 8	SCREW M3 X 8
CN661	0UN184	ECROU CAGE M4, EP 1/1.6	INSERT NUT M4
FR2035	0UNA5C	BRIDE BEC CAFE	COFFEE SPOUT HOLDER
FR3111	0UN693	TOLE PORTE CENTRALE	CENTER DOOR
FR3119	0UNA3D	BAC A MARC ENSEMBLE TOLES	WASTE DRAWER
FR4052	0UN473	BUTEE DE BAC A MARC	THRUST
FR4075	0UN130	TETON	PIN
FR7021	0UN509	PLAQUE AVANT	FRONT PART
ID129	0UNA5Z	VIS INOX POELIER VM 4 X 8	SCREW 4 X 8
MI6	0UN880	PASSE FIL	GROMMET
PG51	0UN915	VIS TOLE TC Ac Zn 3,9 X 9,5	SHEET SCREW 3,9 x 9,5
TG1015	0UNA9A	ENSEMBLE DEVANT DROIT SOLO	SOLO RIGHT FRONT
TG1016	0UNA1W	ENSEMBLE DEVANT DROIT DUO	DUO RIGHT FRONT
TG1017	0UNA24	ENSEMBLE DEVANT GAUCHE	STANDARD LEFT FRONT
TG1022	0UN800	DEVANT DROIT SOLO STEAMAIR	SOLO RIGHT STEAMAIR FRONT
TG1023	0UN801	DEVANT GAUCHE STEAMAIR	LEFT STEAMAIR FRONT
TG1028	0UN232	BAC A MARC COMPLET	WASTE DRAWER
TG3005	0UNA5Q	DEVANT GAUCHE	LEFT FRONT PANEL
TG3006	0UNA5R	DEVANT DROIT	RIGHT FRONT PANEL
TG3009	0UNA9B	DEVANT DROIT SOLO	RIGHT FRONT PANEL SOLO
TG3032	0UNA7A	DEVANT GAUCHE STEAMAIR	STEAMAIR LEFT FRONT PANEL
TG3033	0UNA80	DEVANT DROIT SOLO STEAMAIR	STEAMAIR SOLO RIGHT FRONT PANEL

SOLO & ACE



DUO

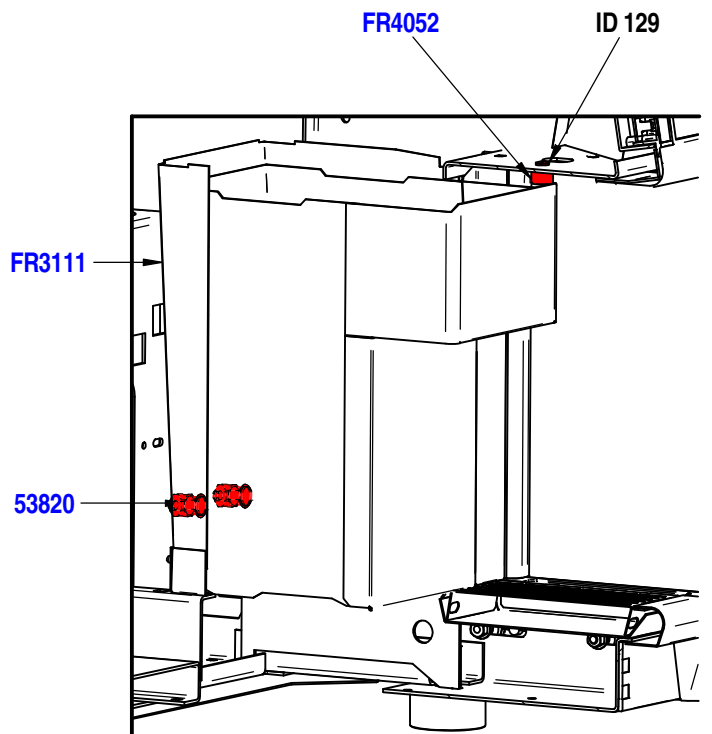
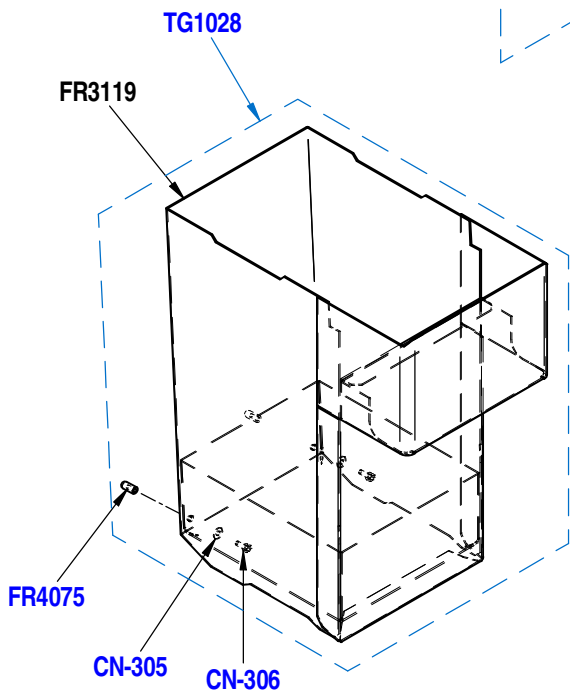


PLANCHE - PLATE 113

REF	ELUX	DESIGNATIONS FR	DESIGNATIONS GB
28104	0UN146	JOINT TORIQUE 2X9,5 FKM 80SH	GASKET 2X9,5
CF199	0UN263	RONDELLE ACIER ZN 8x22x1,5	STEEL WASHER 8x22x1,5
D60	0UN929	VIS POELIER M6x10 INOX	SCREW 6X10
FR1015	0UN190	BEC A CAFE SORTIE CAFE	COFFEE SPOUT
FR2036	0UNA9G	TOLE PLAQUE GUIDE	PLATE SHEET
FR4050	0UN586	AXE DE PORTILLON	AXLE
FR4051	0UN473	BUTEE PORTILLON	SCREW DOOR
FR7020	0UN250	BEC CAFE	COFFEE SPOUT
FR7022	0UN522	LANGUETTE BEC	SPOUT HANDING
FR7023	0UN519	ANTI VAPEUR	ANTI STEAM
FR7025	0UN244	PORTILLON	DOOR
ID129	0UNA5Z	VIS INOX POELIER VM 4 X 8	SCREW 4 X 8
M27	0UN499	JOINT TORIQUE 1.90X3.40 EPDM	GASKET 1.90 X 3.40
PE12	0UN430	ECROU M8	NUT M8
CN661	0UN184	ECROU CAGE M4, EP 1/1.6	INSERT NUT M4
RO13	0UNA3U	VIS INOX TC 4 x 10	SCREW M4 X 10 -
TG4044	0UN818	GUIDE TUBE BEC	MIXER FITTING

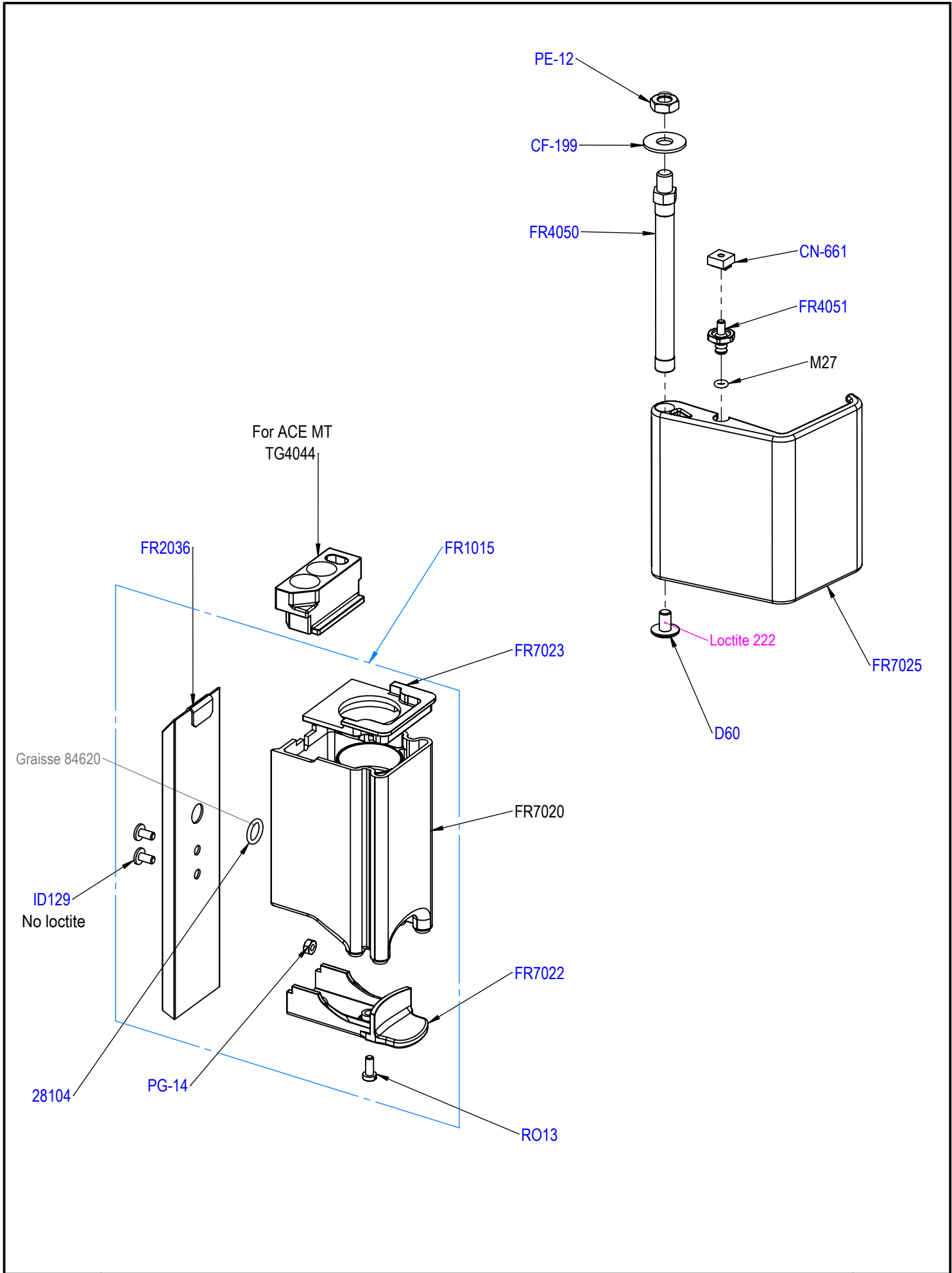


PLANCHE - PLATE 116

REF	ELUX	DESIGNATIONS FR	DESIGNATIONS GB
50125	0UNA68	VIS TB CRUCIFORME A EMBASE M4 x 8	CRUCIFORM SCREW M4 x 8
51355	0UN341	INSERT M4D LAITON L:9.5	INSERT M4
52500	0UN872	ECROU RAPID 3 mm	NUT 3 mm
CN325	0UN284	VIS INOX TC 4 x 6	SCREW M4 X 6
FR7035	0UN255	ENJOLIVEUR DESSUS	ORNAMENTAL TOP
PG14	0UN277	ECROU M4	NUT M4
RO13	0UNA3U	VIS INOX TC 4 x 10	SCREW M4 X 10 -
TG1080	0UNA3W	COTE GAUCHE ACE MONTE	COMPLET LEFT SIDE
TG1081	0UNA3X	COTE DROIT ACE MONTE	COMPLET RIGHT SIDE
TG1184		COTE DROIT ACE MT MONTE	COMPLET RIGHT SIDE
TG3120	0UNA47	COTE GAUCHE INOX	LEFT SIDE
TG3120B	0UNA3Y	COTE GAUCHE NOIR	LEFT SIDE BLACK
TG3120W	0UN734	COTE GAUCHE BLANC	LEFT SIDE WHITE
TG3121	0UNA40	COTE DROIT INOX	RIGHT SIDE
TG3121B	0UNA3Z	COTE DROIT NOIR	RIGHT SIDE BLACK
TG3121W	0UN735	COTE DROIT BLANC	RIGHT SIDE WHITE
TG3124		COTE DROIT ACE MT INOX	RIGHT SIDE
TG3124B		COTE DROIT ACE MT NOIR	RIGHT SIDE BLACK
TG3124W		COTE DROIT ACE MT BLANC	RIGHT SIDE WHITE
TG4008	0UN292	TETON M4X5	NUT M4X5

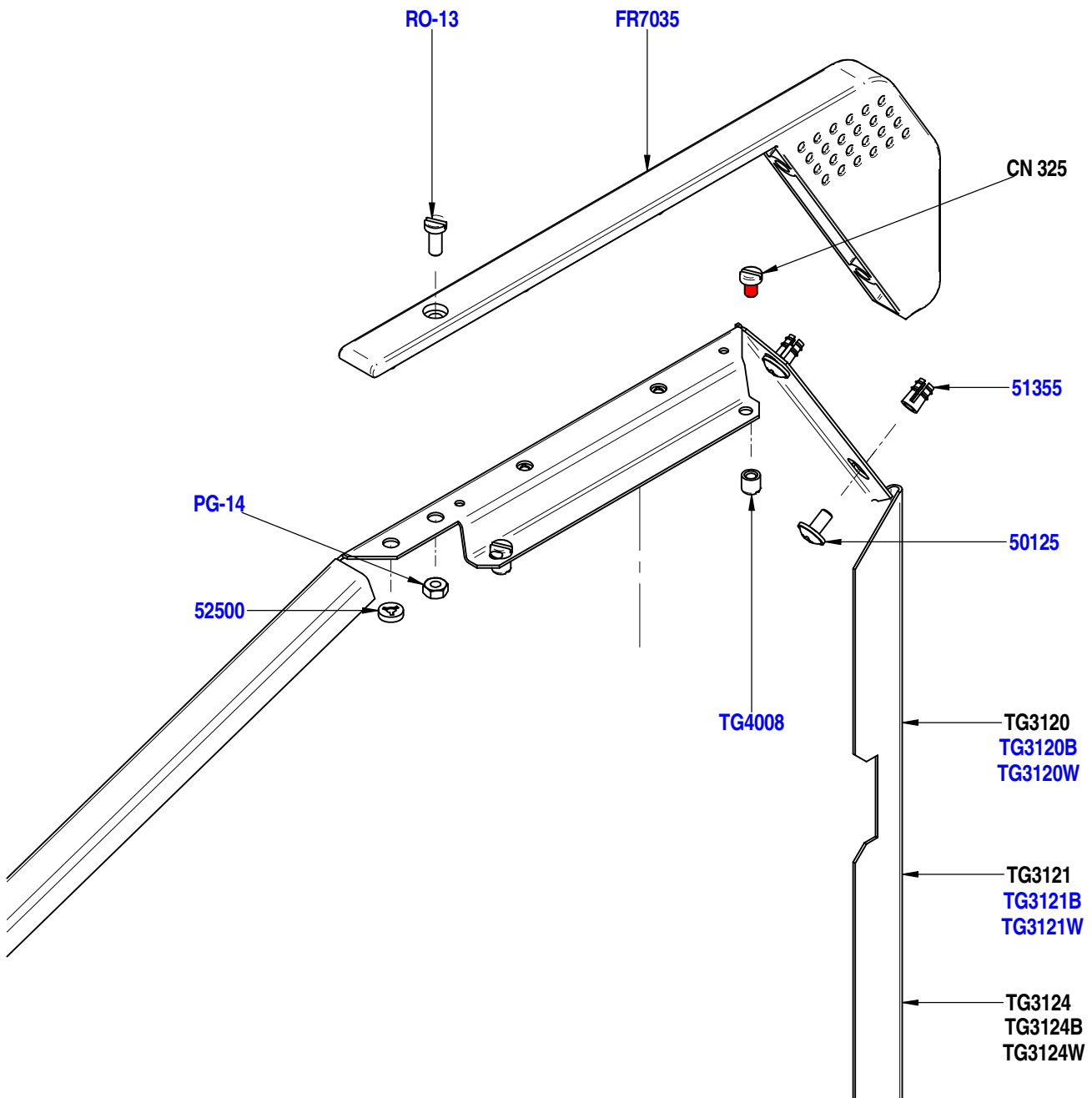
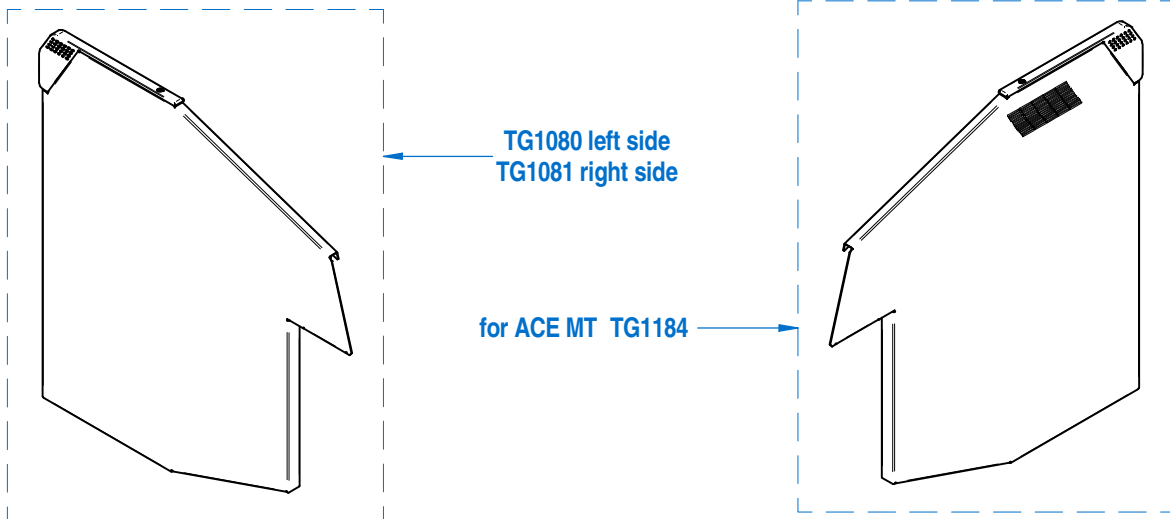


PLANCHE - PLATE 124

REF	ELUX	DESIGNATIONS FR	DESIGNATIONS GB
41305	0UN751	FASTON MALE A VISSER	MALE FASTON PIN
44321	0UN354	VENTILATEUR CABLE AVEC CONNECTEUR	FAN WITH WIRE
45149	0UN399	BOITIER BTX TANGO ACE	BTX ELECTRONIC BOX
50102	0UN977	VIS AUTOFORMEUSE TF M4 X 8	SCREW M4 X 8
50126	0UN615	VIS TB CRUCIFORME A EMBASE M4 x 12	CRUCIFORM SCREW M4 x 12
50708	0UN961	VIS AUTOFORMEUSE 3X14	SCREW 3X14
50712	0UN870	VIS CRUCIFORME 4.8 x 13	SCREW 4.8 X 13
CN305	0UN253	RONDELLE EN LAITON M3	BRASS RING M3
TG1073	0UN212	CALANDRE ACE	ACE FRONT PANEL
TG2065		TOLE PARE CHALEUR 1GR	1 UNIT AGAINST HEAT SHEET
TG2140	0UN722	SUPPORT CALANDRE	FRONT PANEL HOLDER
TG3150	0UNA29	DESSUS CALANDRE	TOP OF FRONT PANEL
TG7050	0UN856	CACHE CALANDRE ACE GAUCHE	LEFT COVER FRONT PANEL
TG7052	0UN907	CACHE CALANDRE ACE DROIT	RIGHT COVER FRONT PANEL

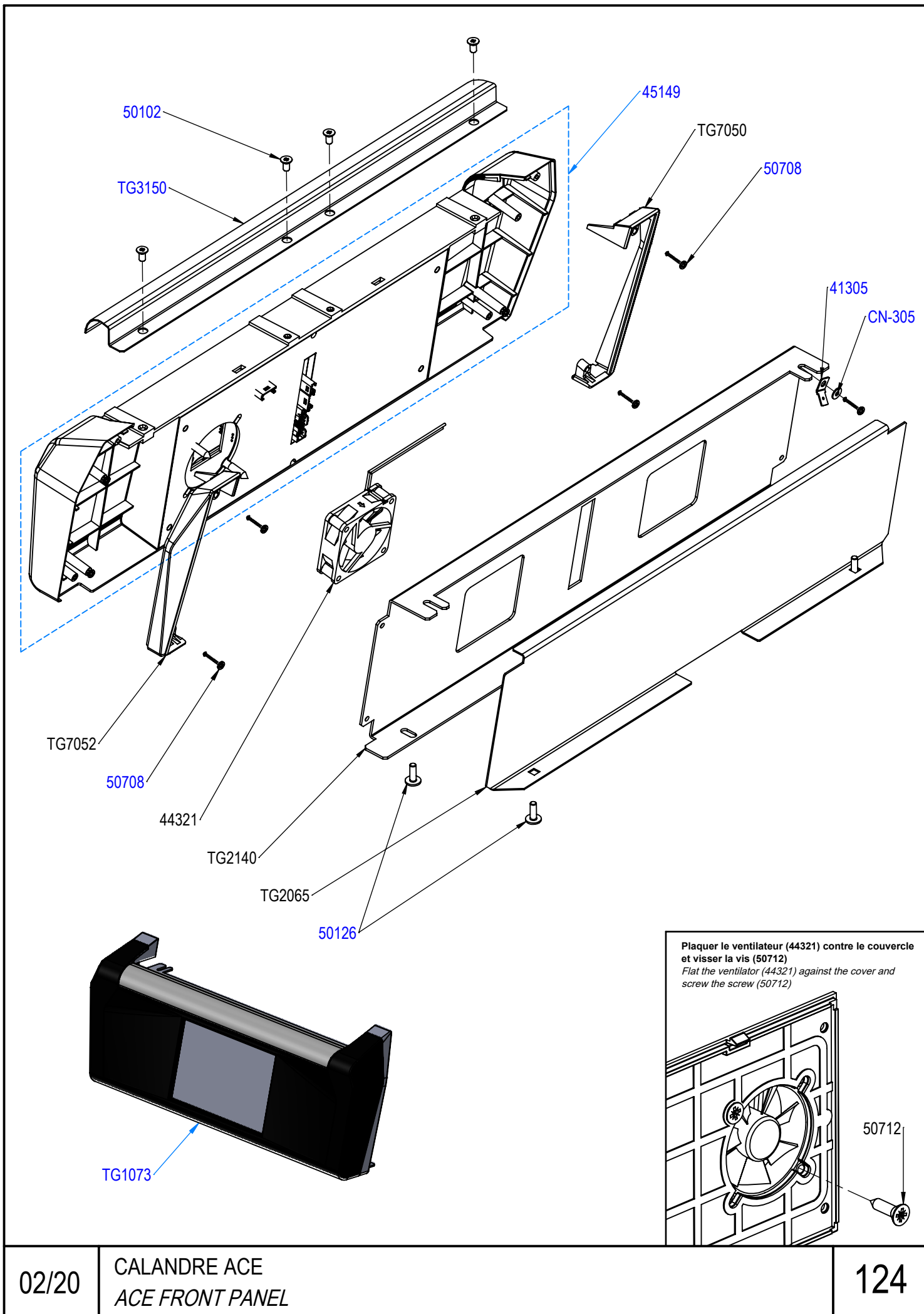


PLANCHE - PLATE 130

REF	ELUX	DESIGNATIONS FR	DESIGNATIONS GB
41412	0UN676	POINTE	<i>PIN</i>
51852	0UN918	ENTRETOISE 12X6 EP1.6	<i>SPACER 13X6 EP1.6</i>
FR1095	0UN271	TRAPPE FERMETURE INT. TREMIE 100	<i>INT. CLOSING HATCH FOR HOPPER 100</i>
FR1096	0UN573	TRAPPE FERMETURE INT. TREMIE 150	<i>INT. CLOSING HATCH FOR HOPPER 150</i>
FR1600	0UN194	ENSEMBLE TREMIE 100	<i>HOPPER 100 FOR COFFEE GRINDER</i>
FR1605	0UN195	ENSEMBLE TREMIE 150	<i>HOPPER 150 FOR COFFEE GRINDER</i>
FR2054	0UN933	LEVIER TRAPPE TREMIE (150)	<i>LEVER FOR CLOSING HATCH</i>
FR2056	0UN914	LEVIER TRAPPE TREMIE (100)	<i>LEVER FOR CLOSING HATCH</i>
FR2076	0UN538	FERMETURE TREMIE 100X280	<i>CLOSING HATCH FOR HOPPER 100</i>
FR2077	0UN574	FERMETURE TREMIE 150X280	<i>CLOSING HATCH FOR HOPPER 150</i>
FR2090	0UN985	FERMETURE POUR TREMIE DE 100 X 280	<i>HOPPER 100 CLOSING PART</i>
FR4072	0UN310	VIS EPAULEE M4	<i>SCREW M4</i>
FR4086	0UN436	ETRIER LEVIER TRAPPE TREMIE	<i>U BOLT FOR LEVER HATCH</i>
FR4197	0UNA1E	TETON POUR TREMIE 150	<i>NIPPLE FOR HOPPER 150</i>
FR7050	0UN996	TREMIE 100 X 280	<i>HOPPER 100 X 280</i>
FR7052	0UN976	COUVERCLE DE TREMIE 100 x 280	<i>HOPPER TOP 100 X 280</i>
FR7060	0UN978	TREMIE 150 X 280	<i>HOPPER 150 X 280</i>
FR7062	0UN233	COUVERCLE DE TREMIE 150 x 280	<i>HOPPER TOP 150 X 280</i>
RO58	0UN209	POUSSOIR A BILLE	<i>THRUST BALL BEARING</i>
TG2053	0UN719	TRAPPE TREMIE 150 X 280	<i>CLOSING HATCH 150 X 280</i>

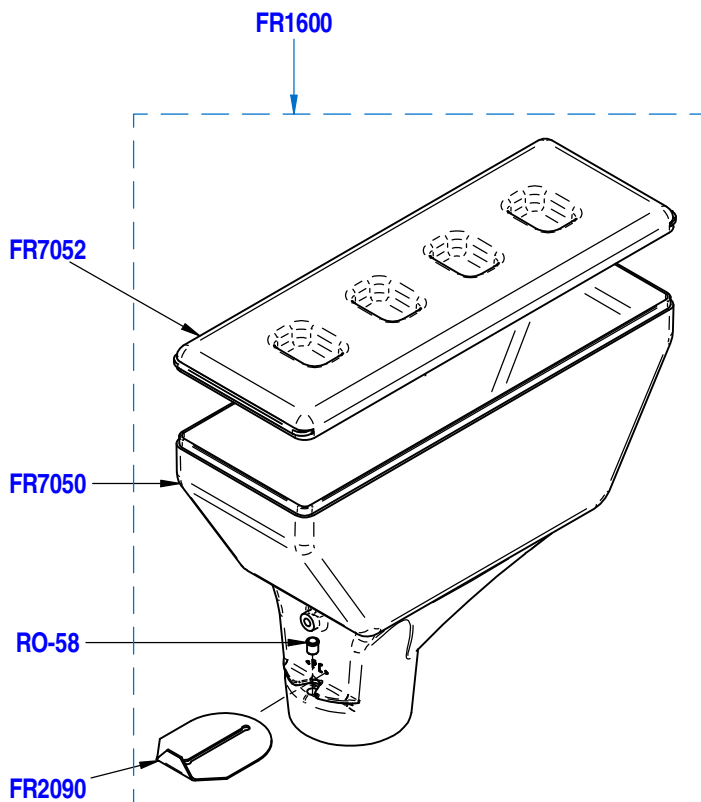
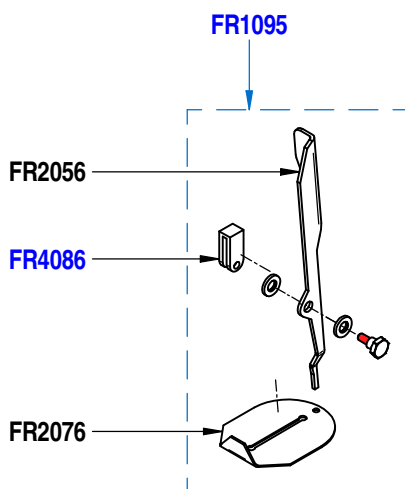
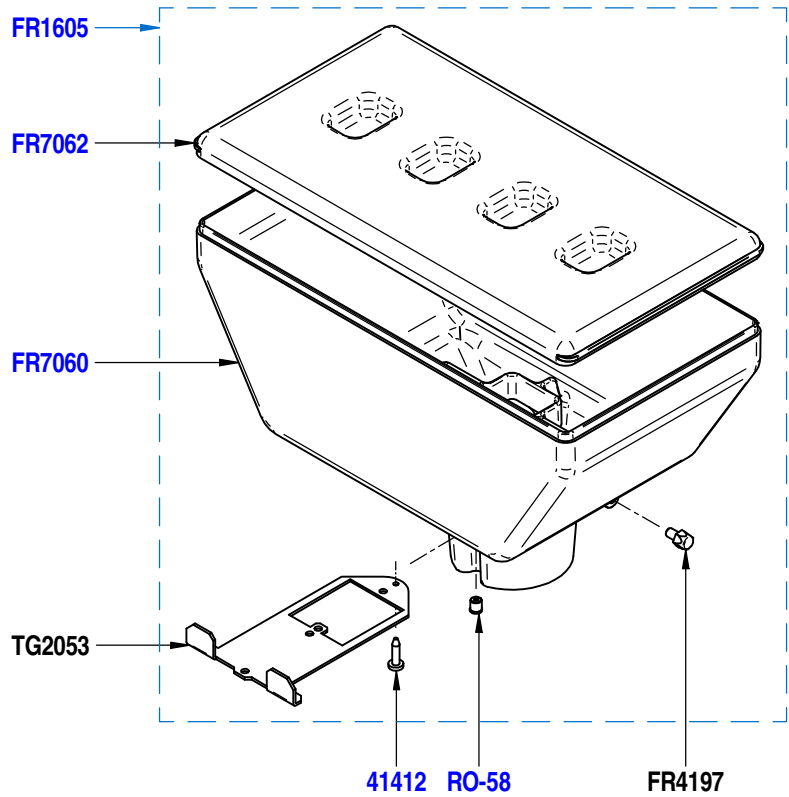
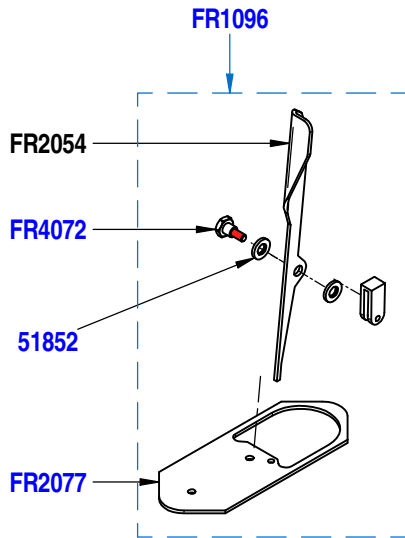
REF KIT COMPLET :

TG1600 TREMIE 150 DUO GAUCHE AVEC LEVIER / 150 DUO LEFT HOPPER WITH OPENING HATCH

TG1601 TREMIE 150 DUO DROITE AVEC LEVIER / 150 DUO RIGHT HOPPER WITH OPENING HATCH

TG1602 TREMIE 150 SOLO GAUCHE AVEC LEVIER / 150 SOLO LEFT HOPPER WITH OPENING HATCH

TG1603 TREMIE 100 SOLO DROITE AVEC LEVIER / 100 SOLO RIGHT HOPPER WITH OPENING HATCH



 Loctite 262

PLANCHE - PLATE 138

REF	ELUX	DESIGNATIONS FR	DESIGNATIONS GB
28550	0UN975	JOINT DE BORD TOLE	GASKET
50100	0UN948	VIS TC M4 X 25	SCREW M4 X 25
50113	0UNA10	COLONNETTE M-F M4X13	SPACER M-F M4X13
50125	0UNA68	VIS TB CRUCIFORME A EMBASE M4 x 8	CRUCIFORM SCREW M4 x 8
51552	0UN616	RONDELLE INOX 4.25x14x0.8	S..STEEL WASHER 4.25x14x0.8
DV44	0UN188	VIS TH M4X10 ACIER	SCREW M4x10
FR2115	0UNA5I	BASE DOUBLE TREMIE	HOPPER DOUBLE SEAT
FR2116	0UN771	CACHE BASE 1 TREMIE	HOPPER SINGLE SEAT
FR2126	0UNA87	PATTE CELLULE TREMIE 100	SHEET METAL SENSOR HOLDER
FR4190	0UN942	SUPPORT CELLULE TREMIE	SENSOR HOLDER
FR8029	0UN367	CELLULES OPTIQUES AVEC CONNECTEUR	PHOTO CELL SENSORS
PE59	0UN201	VIS TCHC M4x10 INOX	SCREW 4 X 10
TG2150	0UNA7N	CASQUETTE 2 TREMIES	2 HOPPERS TOP PLATE
TG2152	0UN724	CASQUETTE 1 TREMIE	1 HOPPER TOP PLATE
TG3122	0UNA88	REHAUSSE CASQUETTE	STAINLESS STEEL SHEET

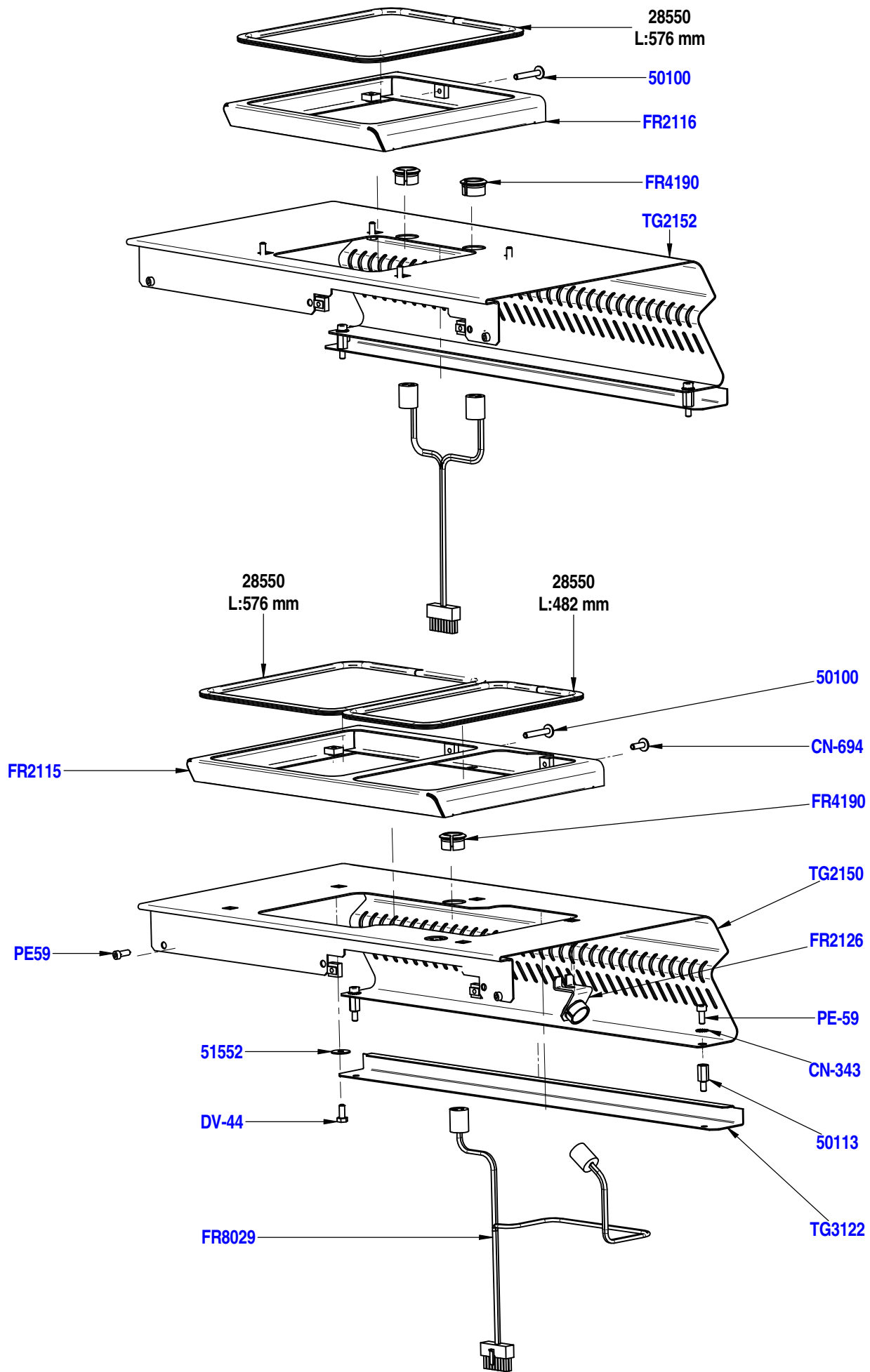


PLANCHE - PLATE 152

REF	ELUX	DESIGNATIONS FR	DESIGNATIONS GB
53410	0UN486	BOUCHON MOULIN DIA:25	PLUG GRINDER
CN-694	0UN186	VIS POELIER M 4 X 12 INOX	SCREW M4 X 12
TG3200	0UNA5D	CHAUFFE TASSES ACE SOUDE	CUP WARMER ACE
TG3104	0UN729	VERRIERE CHAUFFE TASSES ACE sans boite DK	CUP RACK without Dk box
TG3105	0UN641	FOND CHAUFFE TASSES sans boite DK	CUP WARMER SHEET without Dk box
TG3107	0UNA7S	PAROI CHAUFFE TASSES GAUCHE	LEFT CUP WARMER SHEET
TG3108	0UNA7T	PAROI CHAUFFE TASSES DROITE	RIGHT CUP WARMER SHEET

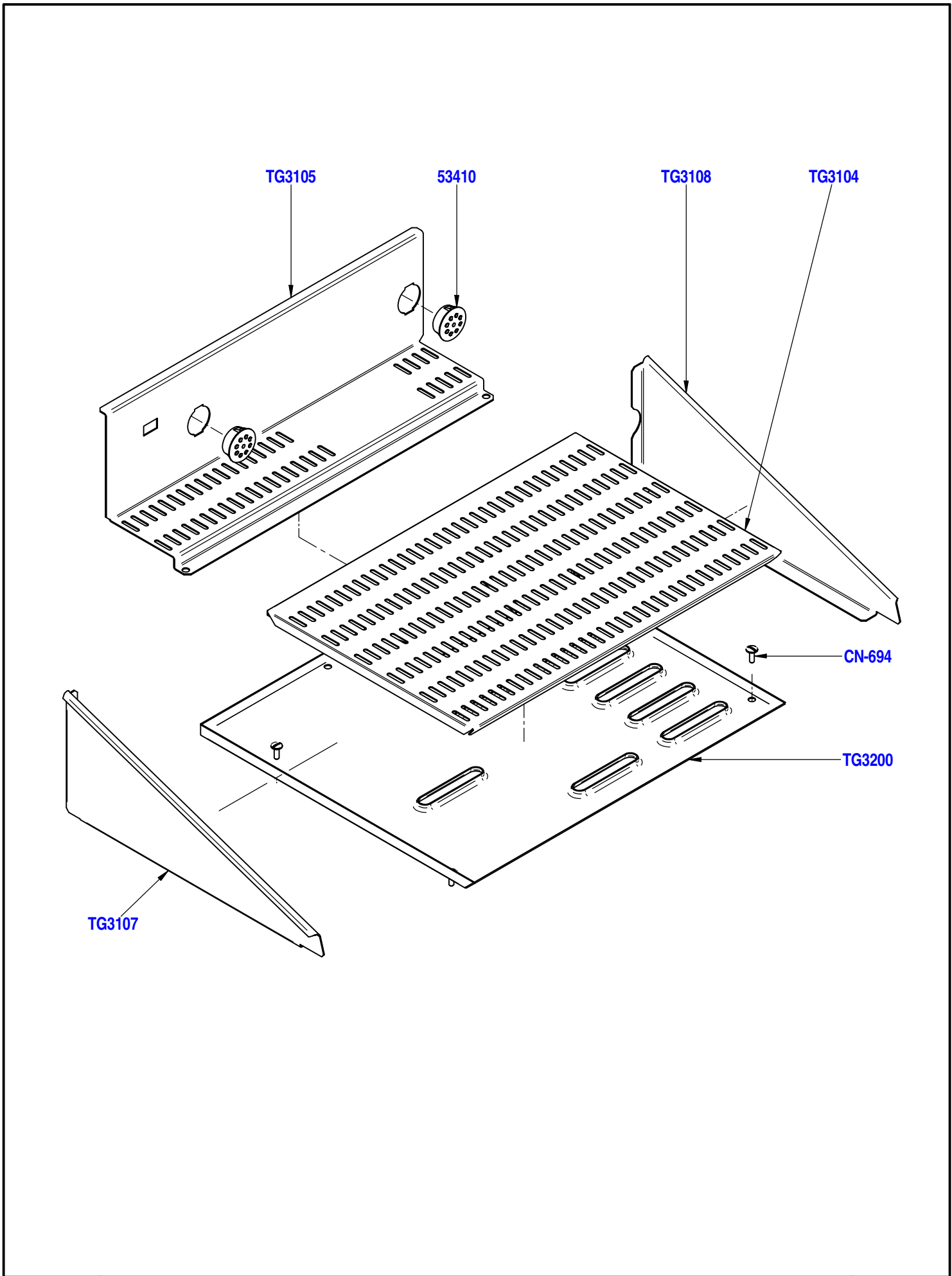


PLANCHE - PLATE 153

REF	ELUX	DESIGNATIONS FR	DESIGNATIONS GB
53410	0UN486	BOUCHON MOULIN DIA:25	PLUG GRINDER
CN-694	0UN186	VIS POELIER M 4 X 12 INOX	SCREW M4 X 12
TG3101	0UN728	VERRIERE CHAUFFE TASSES ACE	CUP RACK
TG3107	0UNA7S	PAROI CHAUFFE TASSES GAUCHE	LEFT CUP WARMER SHEET
TG3108	0UNA7T	PAROI CHAUFFE TASSES DROITE	RIGHT CUP WARMER SHEET
TG3109	0UN730	FOND CHAUFFE TASSES	CUP WARMER SHEET
TG3200	0UNA5D	CHAUFFE TASSES ACE SOUDE	CUP WARMER ACE

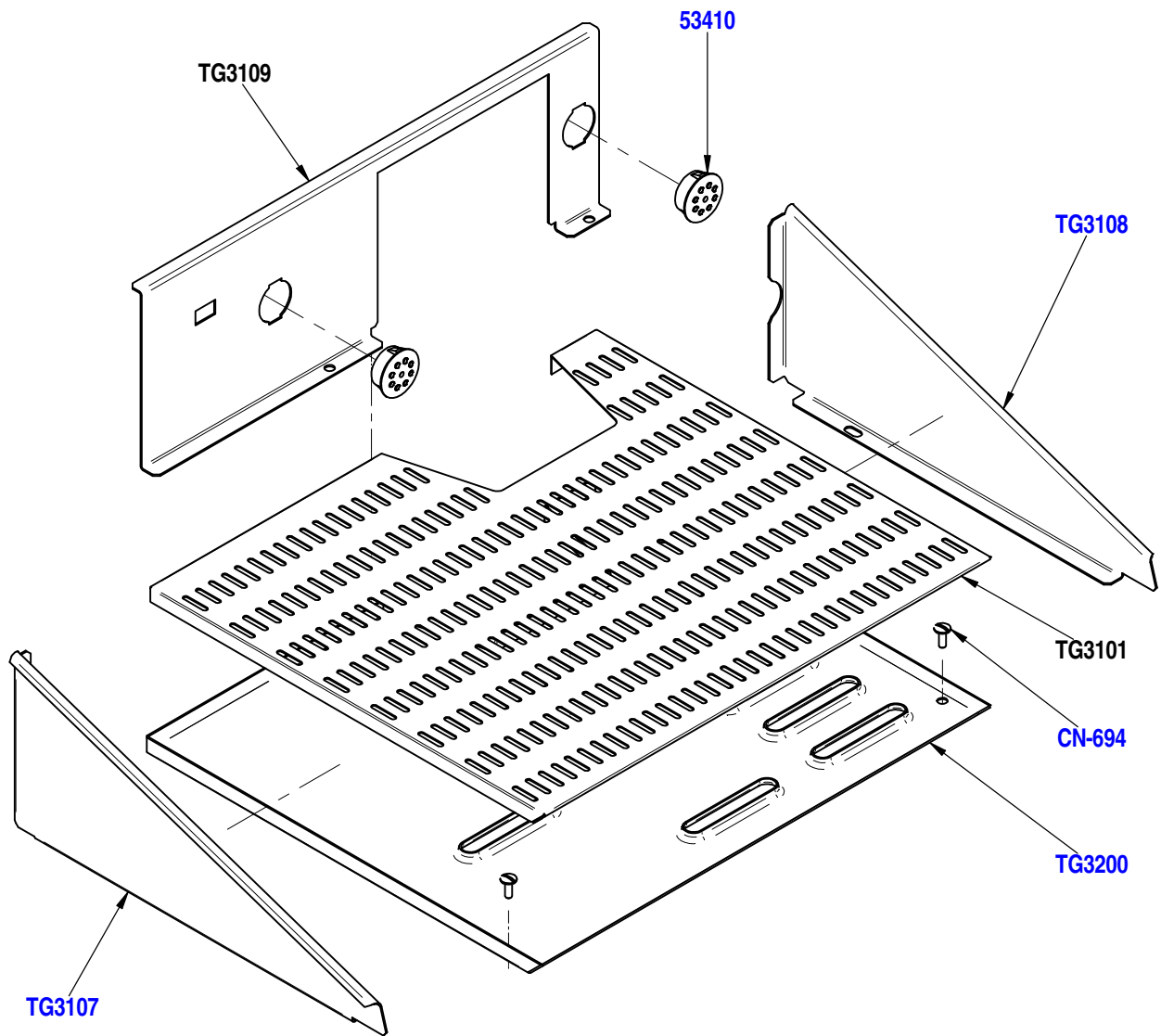
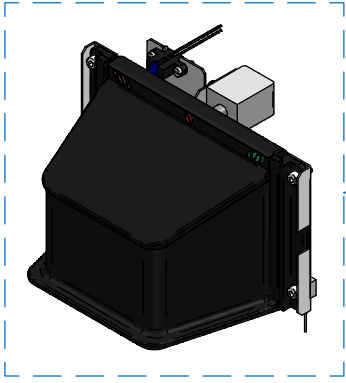
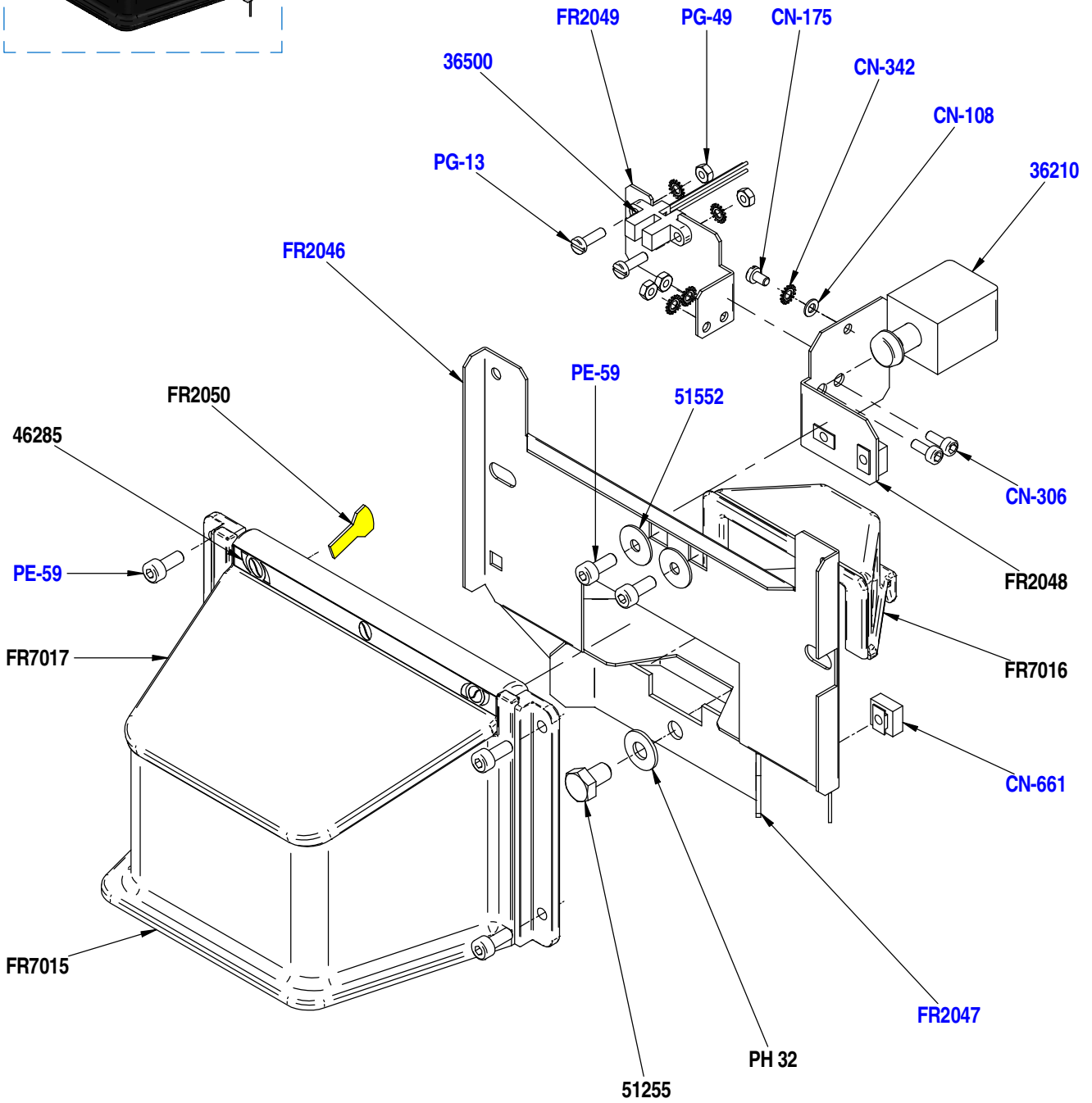


PLANCHE - PLATE 158

REF	ELUX	DESIGNATIONS FR	DESIGNATIONS GB
36210		ELECTRO AIMANT COMPLET	WHOLE ELECTRO MAGNET
36500	0UN163	CAPTEUR A FOURCHE EFFET HALL	FORK SENSOR
46285		AUTOCOLLANT BOITE DK TANGO ST	STICKER DK BOX
51255	0UN971	VIS TH M6 X 10 INOX	S. STEEL SCREW M6 X 10
51552	0UN616	RONDELLE INOX 4.25x14x0.8	S..STEEL WASHER 4.25x14x0.8
CN108	0UN241	RONDELLE LAITON Z3	WASHER
CN175	0UN618	VIS TC M3 X 5 INOX	SCREW M3 X 5
CN306	0UN997	VIS INOX TCHC 3 x 8	SCREW M3 X 8
CN342	0UNA3L	RONDELLE EVENTAIL 3	WASHER 3
CN661	0UN184	ECROU CAGE M4, EP 1/1.6	INSERT NUT M4
FR2046	0UNA5T	TOLE SUPPORT BOITE DK	DK BOX HOLDER
FR2047	0UN690	CALE DE FIXATION	PLATE U
FR2048	0UN691	TOLE SUPPORT ELECTRO AIMANT	ELECTRO MAGNET HOLDER
FR2049	0UN661	SUPPORT CAPTEUR BOITE DK	FORK SENSOR HOLDER
FR2050	0UNA9H	TOLE BUTEE	PLATE FOR SENSOR
FR7015	0UN513	CORPS BOITE DK	DK BOX BODY
FR7016	0UN260	COLLECTEUR CAFE	COFFEE COLLECTOR
FR7017	0UN525	PORTE	DOOR
PE59	0UN201	VIS TCHC M4x10 INOX	SCREW 4 X 10
PG13	0UN256	VIS TC M3x10	SCREW M3 X 10
PG49	0UNA45	ECROU INOX Hu DE 3	NUT M3
PH32	0UN278	RONDELLE ACIER Zn 6,25x14x1,2	WASHER
TG1138		BOITE DK TANGO ST	DK BOX TANGO ST



TG1138

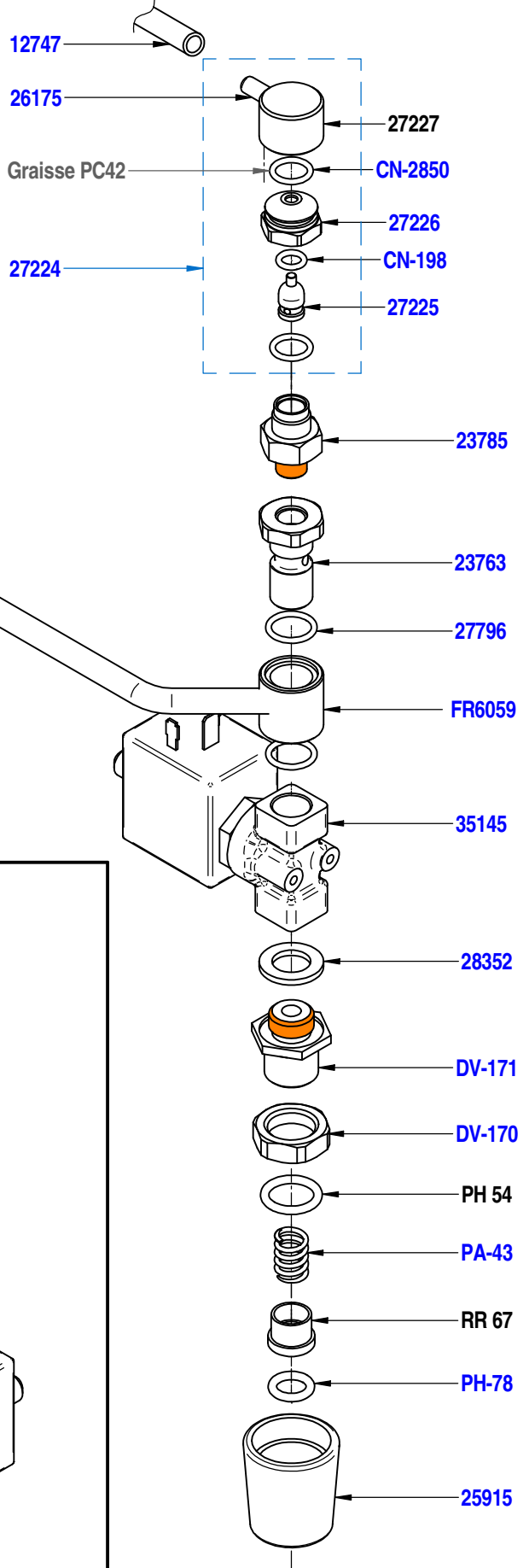


 Loctite 401

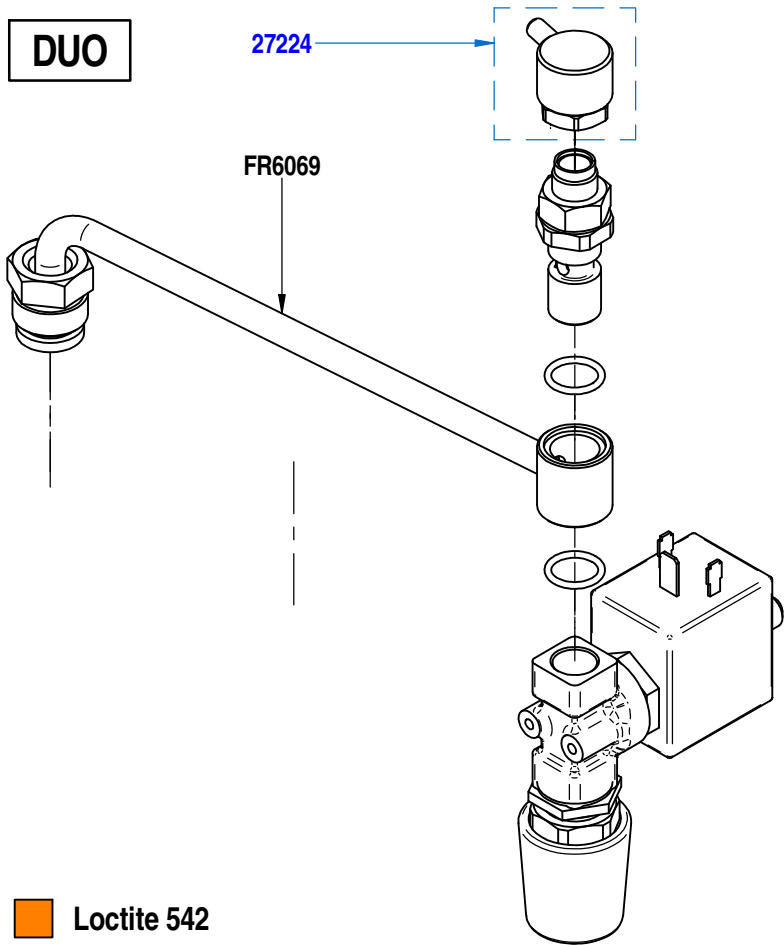
PLANCHE - PLATE 201

REF	ELUX	DESIGNATIONS FR	DESIGNATIONS GB
12747	0UN405	TUBE SILICONE SOUPLE 4 - 7	FLEXIBLE SILICONE PIPE 4 - 7
23763	0UN264	AXE BANJO 1/4M - 1/8F	BANJO SCREW 1/4M 1/8F
23785	0UN388	CORPS DE VALVE 1/8	VALVE BODY
25915	0UN531	CACHE SORTIE EAU VAPEUR	COVER OUTLET STEAM WATER
26175	0UN483	EMBOUT M6	M6 NOZZLE
27224	0UN156	KIT VALVE DE PURGE	VACCUM VALVE KIT
27225	0UN556	TIGE VALVE SPHERIQUE	SPHERICAL ROD
27226	0UN491	ECROU VALVE DE PURGE	VACCUM VALVE NUT
27227	0UN432	CABOCHON VALVE DE PURGE	STOPPER PURGE VALVE
27796	0UN023	JOINT TORIQUE 1,78 X 12,42 NEXUS	O RING 1.78 X 12,42
28352	0UN017	JOINT PLAT 20X12X2 EPDM 70SH	GASKET 20X12X2
35145	0UN654	ELECTROVANNE 3/2 24V-50/60 NICKELEE	ELECTROVALVE 3/2 24V-50/60 NICKEL-PLATED
CN198	0UN178	JOINT TORIQUE 1,78X6,07 FKM	GASKET - 6.07 x 1.78
CN2850	0UN180	JOINT TORIQUE 1,78X10,82	GASKET 10.82x1.78
DV170	0UN645	ECROU CHROME	NUT 3/8
DV171	0UN498	RACCORD 3/8-1/4	FITTING 3/8
FR6059	0UNA27	TUBE EV SORTIE VAPEUR	EV STEAM OUTLET PIPE
FR6069	0UN995	TUBE VAPEUR DUO	STEAM PIPE
PA43	0UN199	RESSORT F15/10 L14,5 D10,5 P3	SPRING
PH54	0UN133	JOINT TORIQUE 2,62X13,95 EPDM	O RING - 13.95 x 2.62
PH78	0UN202	JOINT TORIQUE 2,62X9,13 EPDM	O RING - 9,13 X 2,62
RR67	0UN210	EMBOUT LAITON	BRASS END

SOLO & ACE



DUO



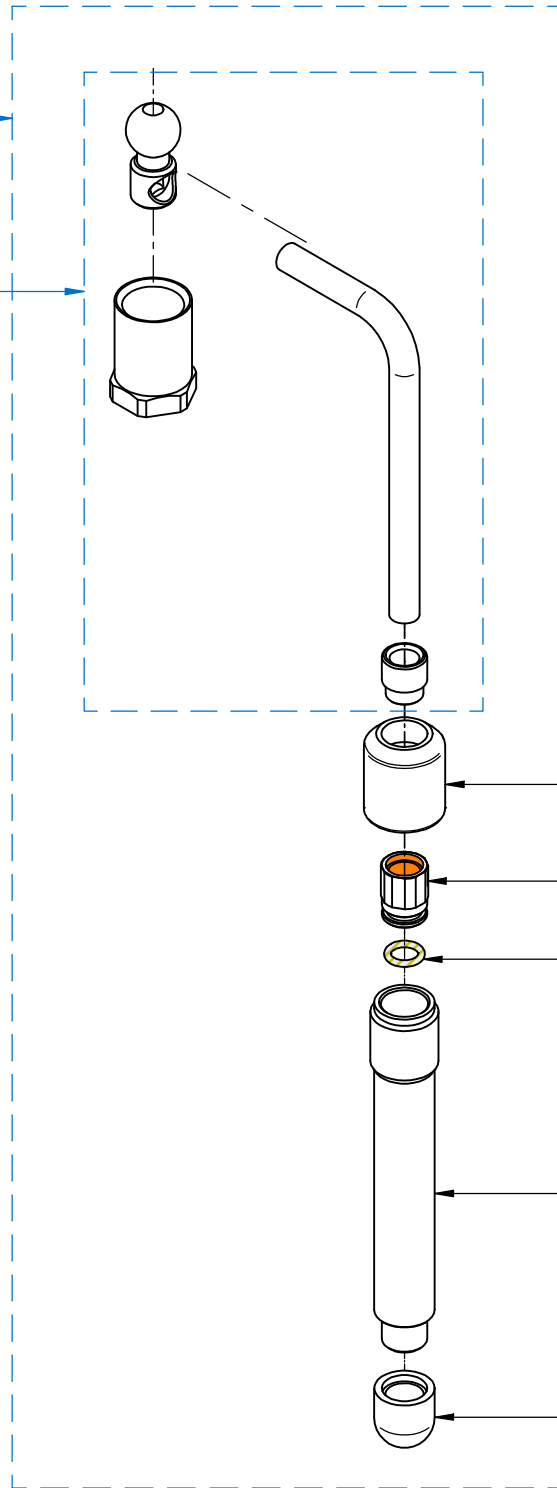
 Loctite 542

PLANCHE - PLATE 221

REF	ELUX	DESIGNATIONS FR	DESIGNATIONS GB
CN436	0UN145	JOINT TORIQUE 1,78X8,73 EPDM	GASKET 8,73 X 1,78
FR1058		SORTIE VAPEUR PTFE	PTFE STEAM OUTLET
FR6014	0UN998	TUBE SORTIE VAPEUR PTFE	PTFE STEAM OUTLET PIPE
RO70		EMBOUT VAPEUR TEFLON 6 TROUS	LOW TEFLON PIPE
RO72		TUBE TEFLON	PIPE TEFLON
RO73		RACCORD SORTIE VAPEUR	FITTING STEAM OUTLET
RO76		BAGUE SORTIE VAPEUR	FITTING PLASTIC

FR1058

FR6014



RO-76

RO-73

CN-436

RO-72

RO-70

 Graisse 8104

 Loctite 542

PLANCHE - PLATE 232

REF	ELUX	DESIGNATIONS FR	DESIGNATIONS GB
23119	0UN313	GICLEUR DIAM:0,9	GICLUER DIAM. 0.9
25708	0UN999	RACCORD SORTIE DEBIT REGLABLE	ADJUSTABLE OUTLET FITTING
25710	0UN988	MOLETTE POUR SORTIE DEBIT REGLABLE	ADJUSTABLE OUTLET TOOTHED WHEEL
25900		BRISE JET BOULE POUR IRISH	ANTI PLASH BALL FOR IRISH
25910	0UN523	POIGNEE SORTIE EAU CHAUDE ET VAPEUR	HOT WATER AND STEAM OUTLET HANDLE
25911	0UN543	BAGUE POUR POIGNEE EAU ET VAPEUR	WATER AND STEAM HANDLE COLLAR
25921		RALLONGE SORTIE IRISH	IRISH OUTLET EXTENSION
25922		EMBOUT SORTIE IRISH DEBIT REGLABLE	ADJUSTABLE FLOW IRISH NOZZLE
46028	0UN276	AUTOCOLLANT SORTIES REGLABLES	ADJUSTABLE OUTLET STICKER
CN436	0UN145	JOINT TORIQUE 1,78X8,73 EPDM	GASKET 8,73 X 1,78
FR1029		SORTIE VAPEUR REGLABLE	ADJUSTABLE STEAM OUTLET
FR6014	0UN998	TUBE SORTIE VAPEUR PTFE	PTFE STEAM OUTLET PIPE

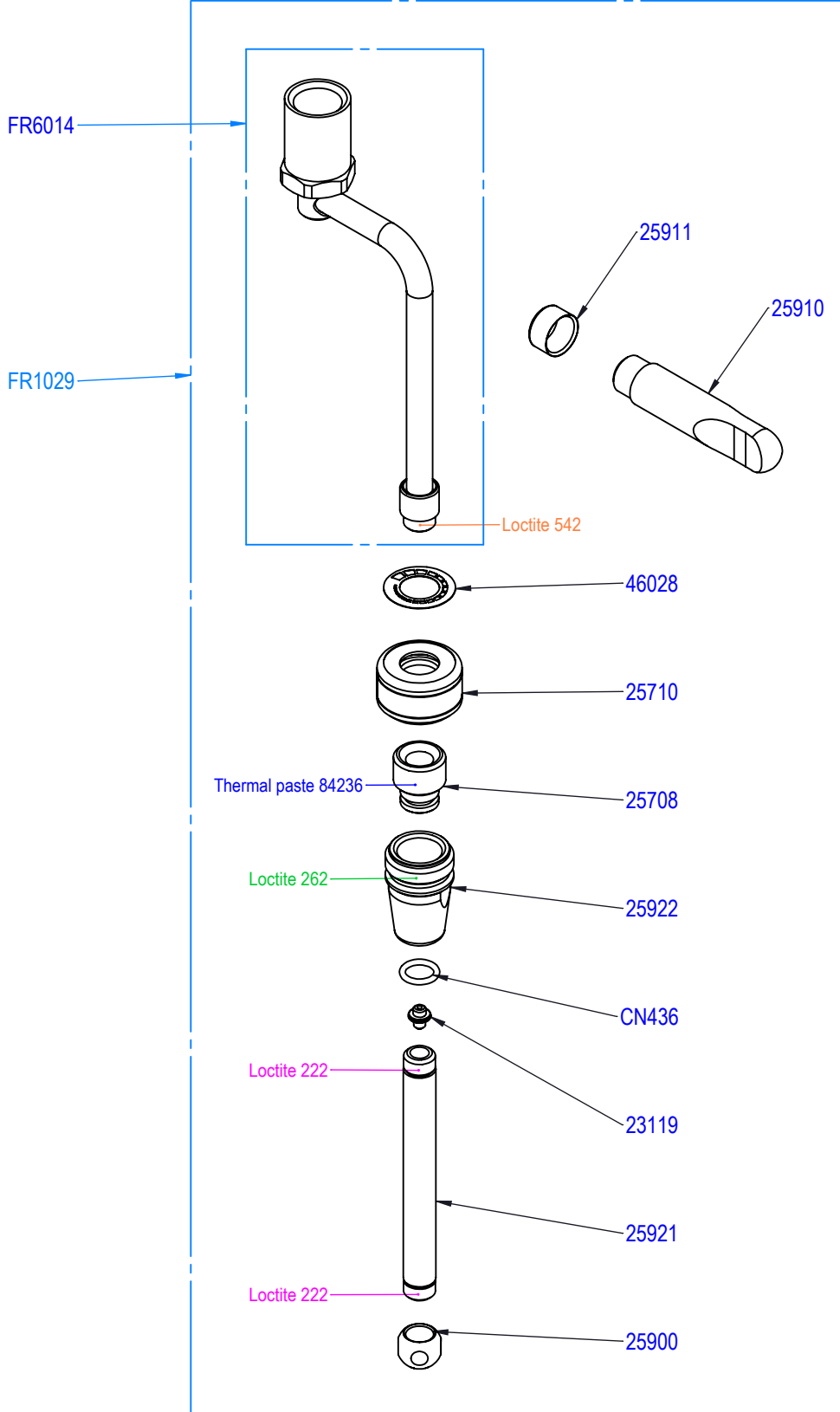
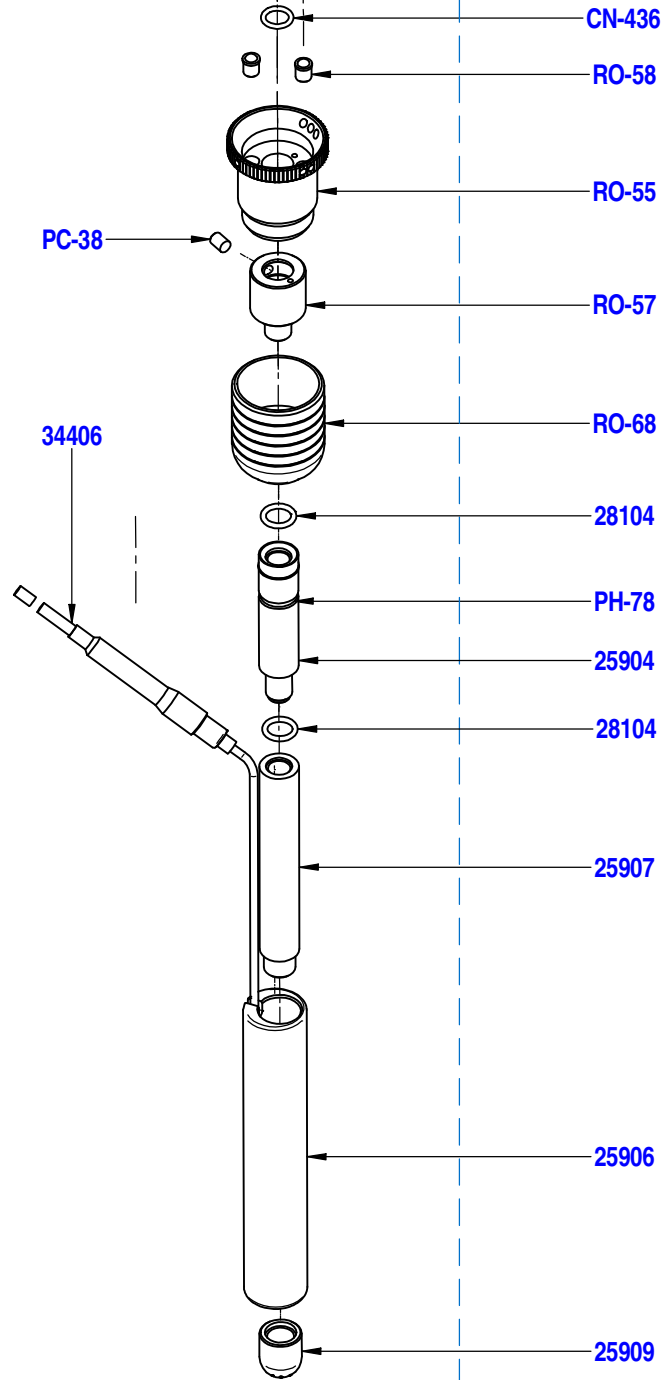


PLANCHE - PLATE 241

REF	ELUX	DESIGNATIONS FR	DESIGNATIONS GB
25904	0UN343	RALLONGE SORTIE CAPPUCCINO	CAPPUCCINO OUTLET EXTENSION
25906	0UN579	SUPPORT DE SONDE TANGO	TANGO PROBE SUPPORT
25907	0UN919	TUBE PTFE STEAMAIR	PTFE STEAMAIR PIPE
25909	0UN154	EMBOUT PTFE 12 TROUS	12 HOLES END PIPE
28104	0UN146	JOINT TORIQUE 2X9,5 FKM 80SH	GASKET 2X9,5
34406	0UN106	SONDE VAPEUR THERMOSTATEE V+	V+ THERMOSTATED STEAM PROBE
CN436	0UN145	JOINT TORIQUE 1,78X8,73 EPDM	GASKET 8,73 X 1,78
FR1038	0UN922	SORTIE STEAMAIR V+	V+ STEAMAIR OUTLET
PC38	0UN200	VIS STHC M5X8 BOUT POINTU	POINT END SCREW
PH78	0UN202	JOINT TORIQUE 2,62X9,13 EPDM	O RING - 9,13 X 2,62
RO55	0UN420	BARILLET	BARREL
RO57	0UN951	MELANGEUR EN LAITON	MIXER
RO58	0UN209	POUSSOIR A BILLE	THRUST BALL BEARING
RO59A		TUBE SORTIE VAPEUR SP	CHROME COPPER TUBE
RO68	0UNA01	CACHE BARILLET	BARREL COVER

FR1038

RO59A



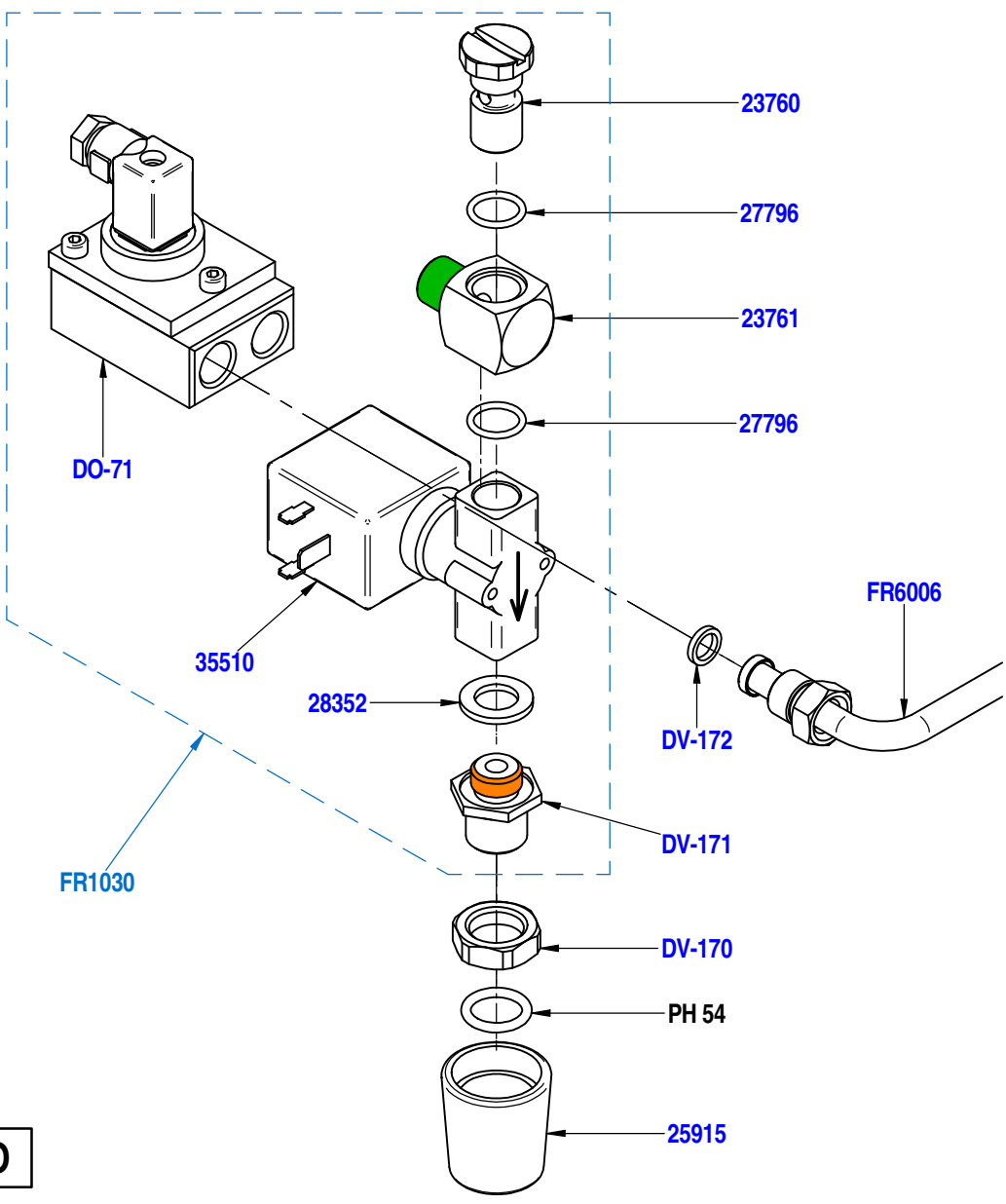
09/21

SORTIE STEMAIR V+
STEAMAIR V+ OUTLET

241

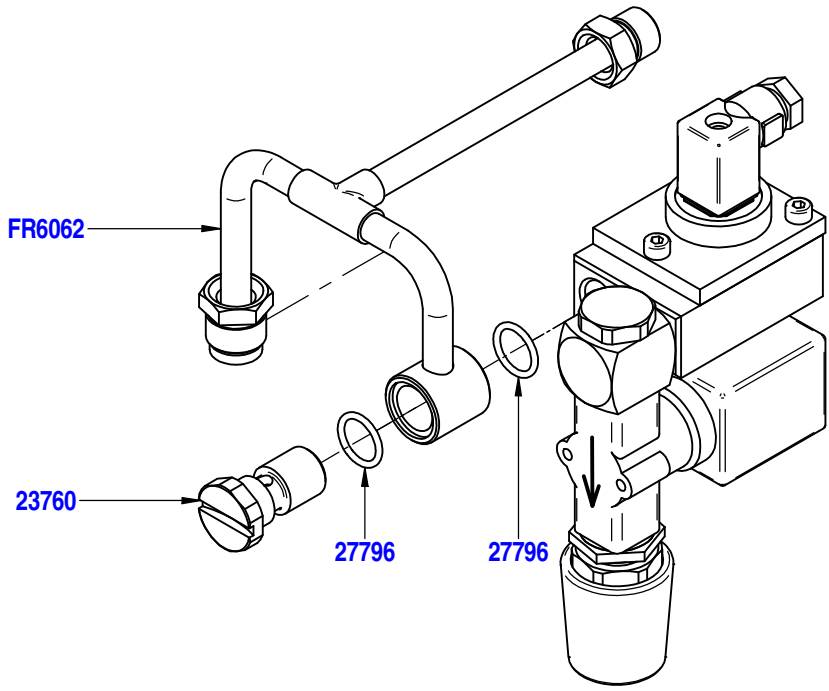
PLANCHE - PLATE 251

REF	ELUX	DESIGNATIONS FR	DESIGNATIONS GB
23760	0UN291	AXE BANJO 1/4	BANJO SCREW 1/4
23761	0UN474	CORPS DE BANJO 1/4	BANJO BODY 1/4
25915	0UN531	CACHE SORTIE EAU VAPEUR	COVER OUTLET STEAM WATER
27796	0UN023	JOINT TORIQUE 1,78 X 12,42 NEXUS	O RING 1.78 X 12,42
28352	0UN017	JOINT PLAT 20X12X2 EPDM 70SH	GASKET 20X12X2
35510	0UN451	EV 2 VOIES 24V NSF	ELECTROVALVE 2 WAYS 24V NSF
DO71	0UN095	DOSEUR D'EAU COMPLET D=2,5	WHOLE WATER DOS. DEVICE D:2,5
DV170	0UN645	ECROU CHROME	NUT 3/8
DV171	0UN498	RACCORD 3/8-1/4	FITTING 3/8
DV172	0UN500	JOINT PLAT 11.4 X 7.5 X 1.9	GASKET
FR1030	0UN494	SORTIE EAU CHAUDE HAUT	HOT WATER OUTPUT UP
FR6006	0UN877	TUBE EV EAU CHAUDE	HOT WATER EV PIPE
FR6062	0UN585	TUBE EAU CHAUDE	HOT WATER PIPE
PH54	0UN133	JOINT TORIQUE 2,62X13,95 EPDM	O RING - 13.95 x 2.62



DUO

SOLO & ACE



- Loctite 601
- Loctite 542

PLANCHE - PLATE 260

REF	ELUX	DESIGNATIONS FR	DESIGNATIONS GB
25716		BRISE JET POUR TUBE INOX EAU CHAUDE	<i>WINDSHIELD FOR HOT WATER PIPE</i>
25732		SORTIE EAU CHAUDE TANGO	<i>HOT WATER OUTLET</i>
25933		ECROU POUR TUBE	<i>NUT FOR PIPE</i>

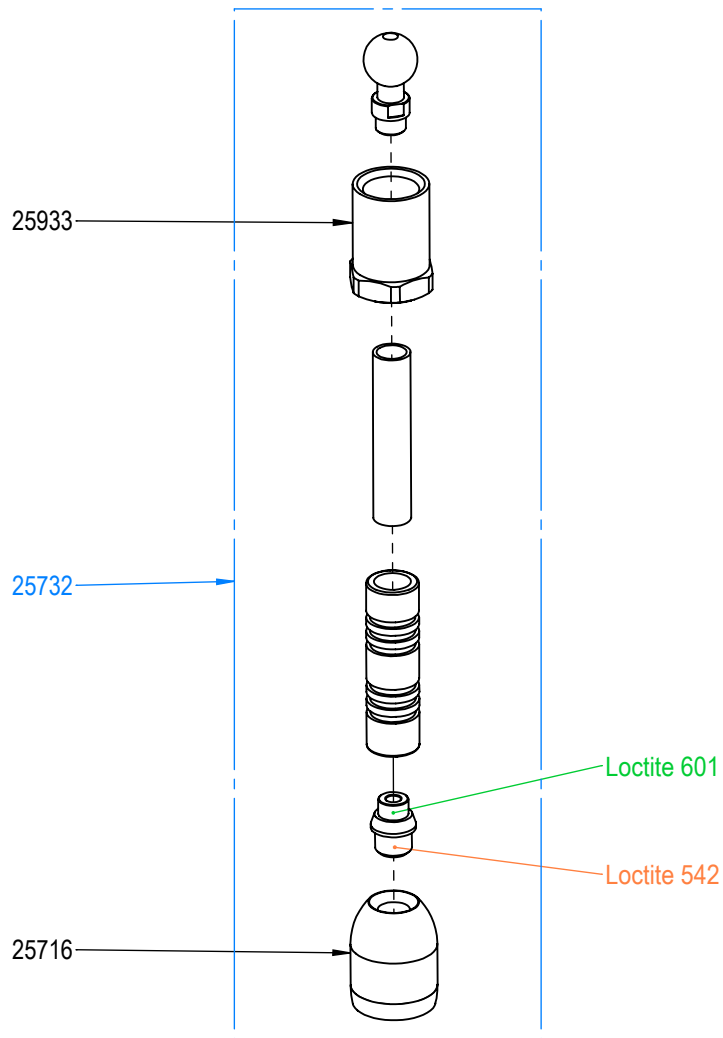
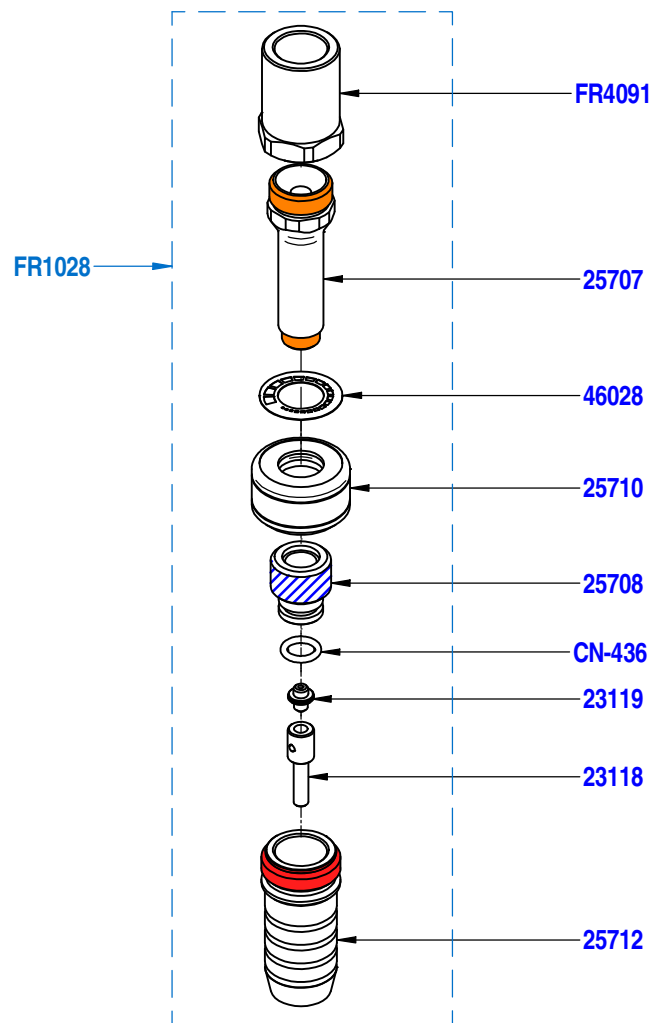


PLANCHE - PLATE 270

REF	ELUX	DESIGNATIONS FR	DESIGNATIONS GB
23118	0UNA02	SUPPORT GICLEUR SORTIE EAU CHAUDE	HOT WATER GICLUER SUPPORT
23119	0UN313	GICLEUR DIAM:0,9	GICLUER DIAM. 0.9
25707		TUBE SORTIE EAU CHAUDE REGLABLE	ADJUSTABLE HOT WATER OUTLET PIPE
25708	0UN999	RACCORD SORTIE DEBIT REGLABLE	ADJUSTABLE OUTLET FITTING
25710	0UN988	MOLETTE POUR SORTIE DEBIT REGLABLE	ADJUSTABLE OUTLET TOOTHED WHEEL
25712	0UN981	EMBOUT EAU CHAUDE DEBIT REGLABLE	ADJUSTABLE HOT WATER SPOUT
46028	0UN276	AUTOCOLLANT SORTIES REGLABLES	ADJUSTABLE OUTLET STICKER
CN436	0UN145	JOINT TORIQUE 1,78X8,73 EPDM	GASKET 8,73 X 1,78
FR1028		SORTIE EAU CHAUDE REGLABLE	ADJUSTABLE HOT WATER OUTLET
FR4091		RACCORD ENTRETOISE 3/8F	FITTING 3/8



 Thermal paste 84236

 Loctite 542

 Loctite 262

PLANCHE - PLATE 301

REF	ELUX	DESIGNATIONS FR	DESIGNATIONS GB
FR6050	0UNA1X	TUBE REMPLISSAGE CHAUDIERE	FILLER PIPE
FR6052	0UNA3P	TUBE GROUPE CAFE	EV COFFEE PIPE
FR6058	0UNA5J	TUBE NETTOYAGE GROUPE CAFE	COFFEE CLEANING PIPE
FR6059	0UNA27	TUBE EV SORTIE VAPEUR	EV STEAM OUTLET PIPE
FR6060	0UNA3O	TUBE PLONGEUR EAU CHAUDE	HOT WATER DIVER PIPE
FR6061	0UNA3C	TUBE DOSEUR	METERING UNIT PIPE
FR6062	0UN585	TUBE EAU CHAUDE	HOT WATER PIPE
FR6064	0UNA28	TUBE ALIM EV NETTOYAGE	EV CLEANING PIPE
FR6513	0UN591	TUBE PTFE SORTIE EAU CHAUDE L:145	OUTLET HOT WATER PIPE L:145mm
FR6520	0UN024	TUBE CAFE lg 238 mm	COFFEE PIPE length 238 mm
FR6521	0UN946	TUBE DETERGENT	DETERGENT PIPE
FR6525	0UN945	TUBE DE DECOMPRESSION L 400MM	DISCHARGE PIPE L 400MM
ID75	0UN347	TUBE FLEXIBLE COUDE ARME INOX	FLEXIBLE PIPE

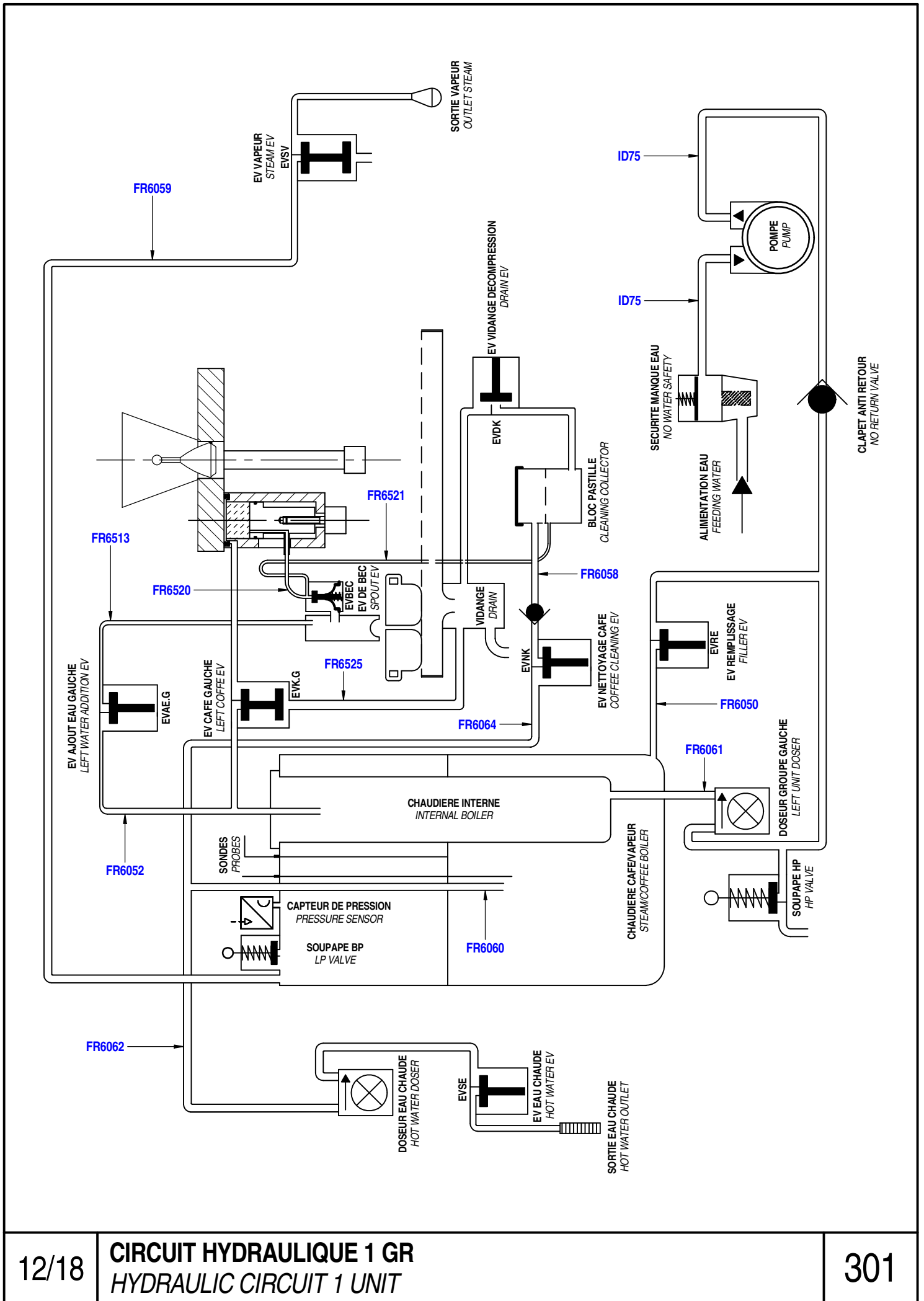


PLANCHE - PLATE 310

REF	ELUX	DESIGNATIONS FR	DESIGNATIONS GB
51255	0UN971	VIS TH M6 X 10 INOX	<i>S. STEEL SCREW M6 X 10</i>
83501	0UN175	JOINT TORIQUE 3,53 X 29,75	<i>GASKET 3,53 X 29,75</i>
CN31	0UNA3Q	VIS TC M3 X 20 INOX	<i>SCREW M3 X 20</i>
CN342	0UNA3L	RONDELLE EVENTAIL 3	<i>WASHER 3</i>
CN362T		SUPPORT TOLE POUR MINIRUPTEUR	<i>MICROSWITCH HOLDER</i>
CN37		PATTE INOX FIXATION MINIRUPT.	<i>MICROSWITCH HOLDING BAR</i>
CN441A	0UN465	RACCORD 1/4M-3/8M	<i>FITTING 1/4 3/8</i>
CN642	0UN035	MINIRUPTEUR F=300GR FLASHE OR	<i>MICROSWITCH</i>
CN679	0UN458	RESSORT SECU. EAU D13 P5 L30	<i>SPRING</i>
CN96B	0UN187	CARTOUCHE POUR FILTRE 80 MIC	<i>FILTER CARTRIDGE 80 MICRONS</i>
FR1025	0UN590	SECURITE MANQUE D'EAU	<i>NO WATER SAFETY</i>
FR4037	0UN917	BLOC FILTRE SECURITE EAU	<i>WATER SAFETY BODY</i>
FR4095	0UN338	CUVE FILTRE LAITON	<i>BRASS WATER SAFETY DISK</i>
PA60	0UN431	MEMBRANE D30	<i>MEMBRANE D30</i>
PB88	0UN267	PISTON	<i>PISTON</i>
PB89	0UN429	RONDELLE POUR MEMBRANE	<i>TIGHTENING WASHER</i>
PB98	0UN477	EMBOUT	<i>FITTING</i>
PG49	0UNA45	ECROU INOX Hu DE 3	<i>NUT M3</i>
RR32B	0UN229	JOINT TORIQUE 2,62X26,64 EPDM	<i>ROUND RING 26,64 x 2,62 - 75</i>

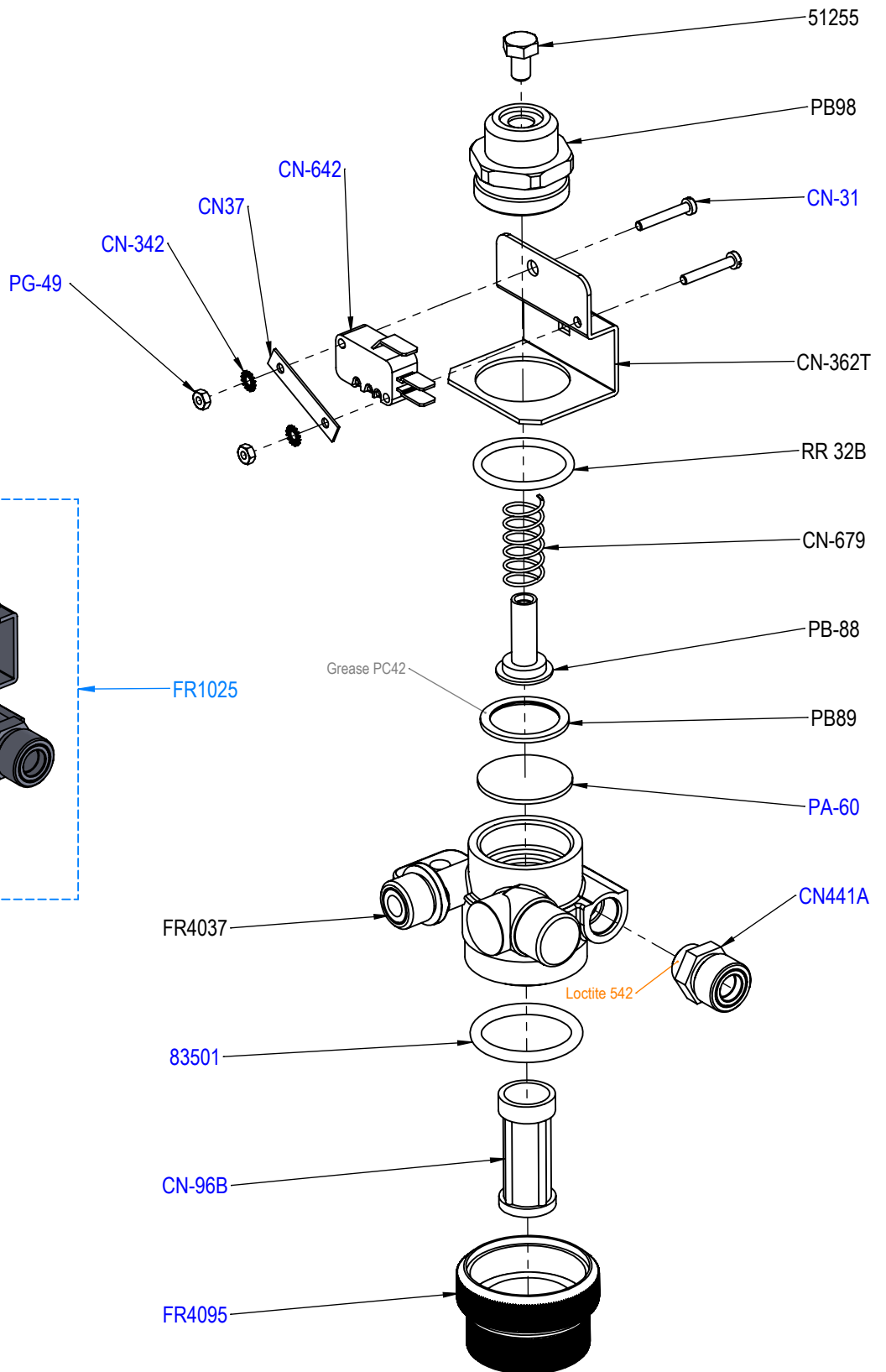
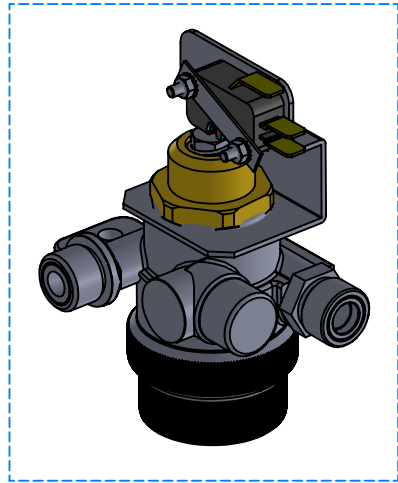


PLANCHE - PLATE 320

REF	ELUX	DESIGNATIONS FR	DESIGNATIONS GB
37205		BY PASS POUR POMPE FLUIDOTECH	BY PASS FOR FLUIDOTECH PUMP
37206		POMPE ROTATIVE 100L/H SANS PLOMB	UNLEADED PUMP 100L/H
37207	OUN056	POMPE ROTATIVE 200L/H SANS PLOMB	UNLEADED PUMP 200L/H
37217		ENTRETOISE POUR ACCOUP. MOTEUR-POMPE	SPACER 48 YZ
37218		ACCOUPEMENT MALE/FEMELLE MOTEUR-POMPE	ACCOUPEMENT MALE/FEMALE
37219		COLLIER POUR POMPE FLUIDOTECH	CLAMP
37222		KIT ACCOUPEMENT MOTEUR POMPE	GANGING RING KIT
37228		MOTEUR POMPE 120W 220-230V 50-60Hz UL	PUMP MOTOR 120W 220-230V 50-60Hz UL
37229		MOTEUR POMPE 165W 220-230V 50-60Hz UL	PUMP MOTOR 165W 220-230V 50-60Hz UL
37242		MOTEUR POMPE 120W 110V 60Hz - UL	PUMP MOTOR 120W 110V 60Hz - UL
37243		MOTEUR POMPE 120W 220-230V 50-60Hz	PUMP MOTOR 120W 220-230V 50-60Hz
37244		MOTEUR POMPE 165W 220-230V 50-60Hz	PUMP MOTOR 165W 220-230V 50-60Hz
51655		RONDELLE GROWER DE 6	WASHER 6
AE-13A		ECROU INOX Hu 6-100	NUT M6
CH-16		JOINT CUIVRE RECUIT 3/8	WASHER - COPPER - 3/8
CN-347A		RACCORD D'ALIM. 3/8 - 3/8 MM	FITTING - 3/8 X 3/8 -
CN-347C		RACCORD D'ALIM 3/8 3/8	FITTING 3/8 3/8
DO-19		PLOT APB 20-20	SILENTBLOC
DO-45		VIS ACIER ZN TH 6 X 8	SCREW 6 X 8

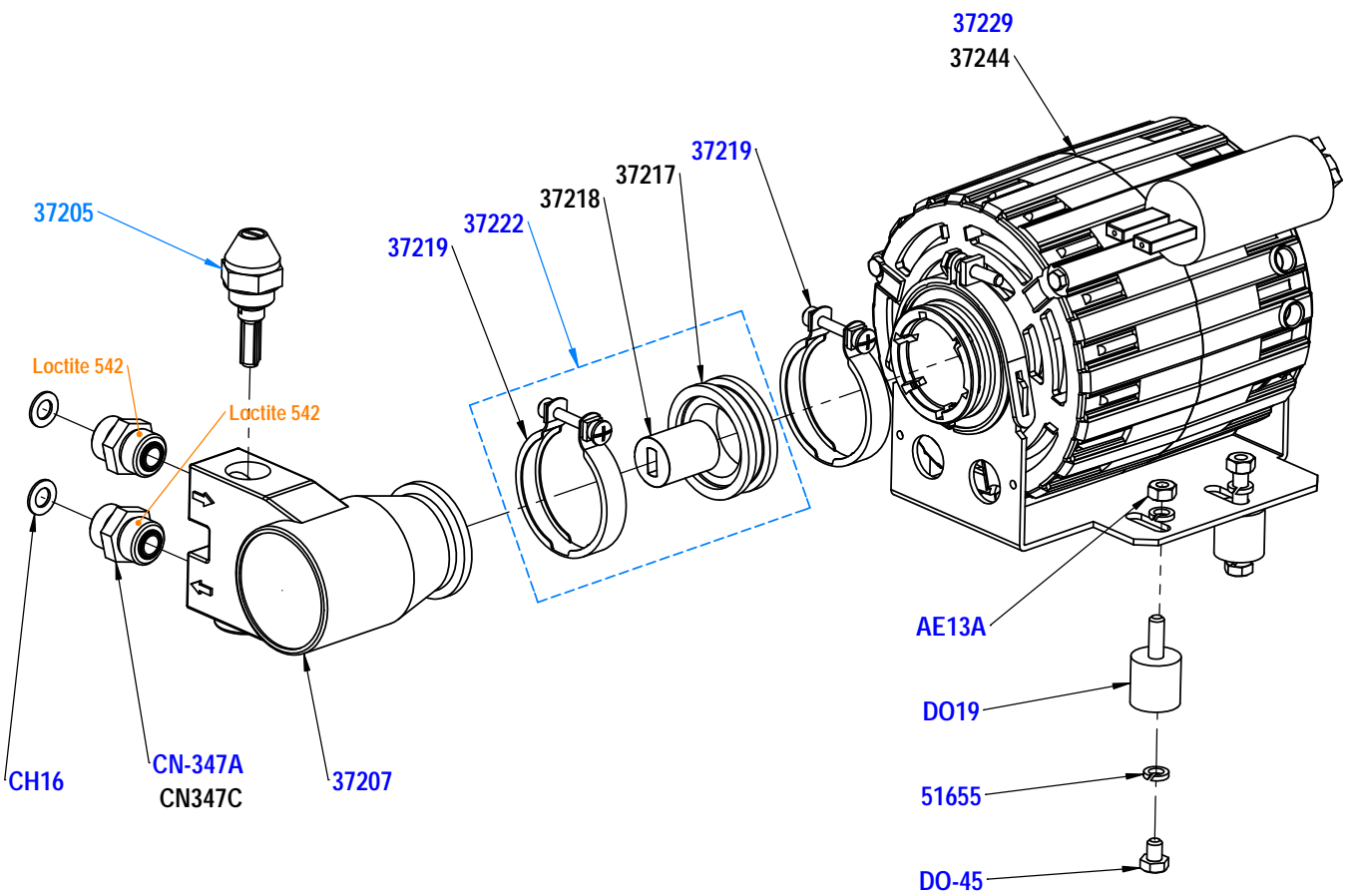
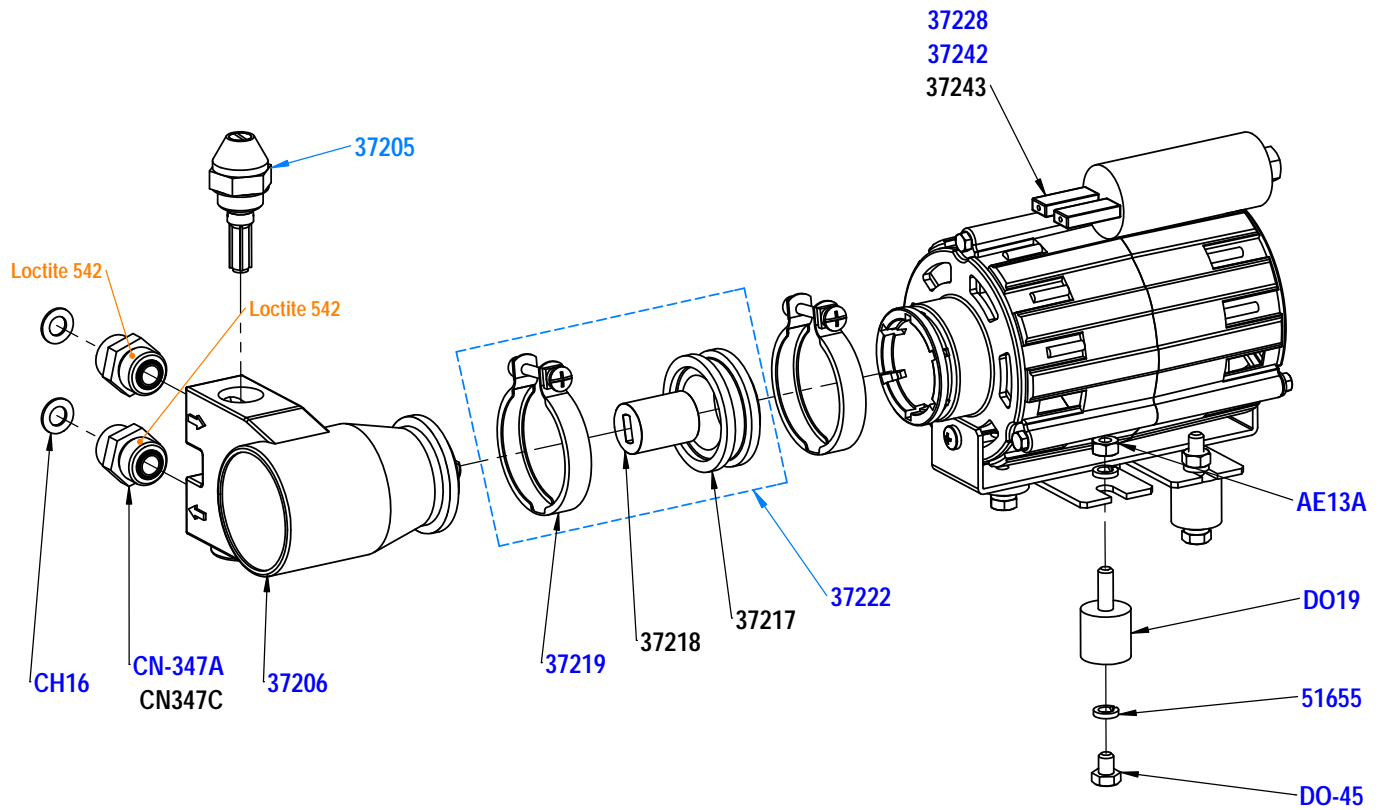
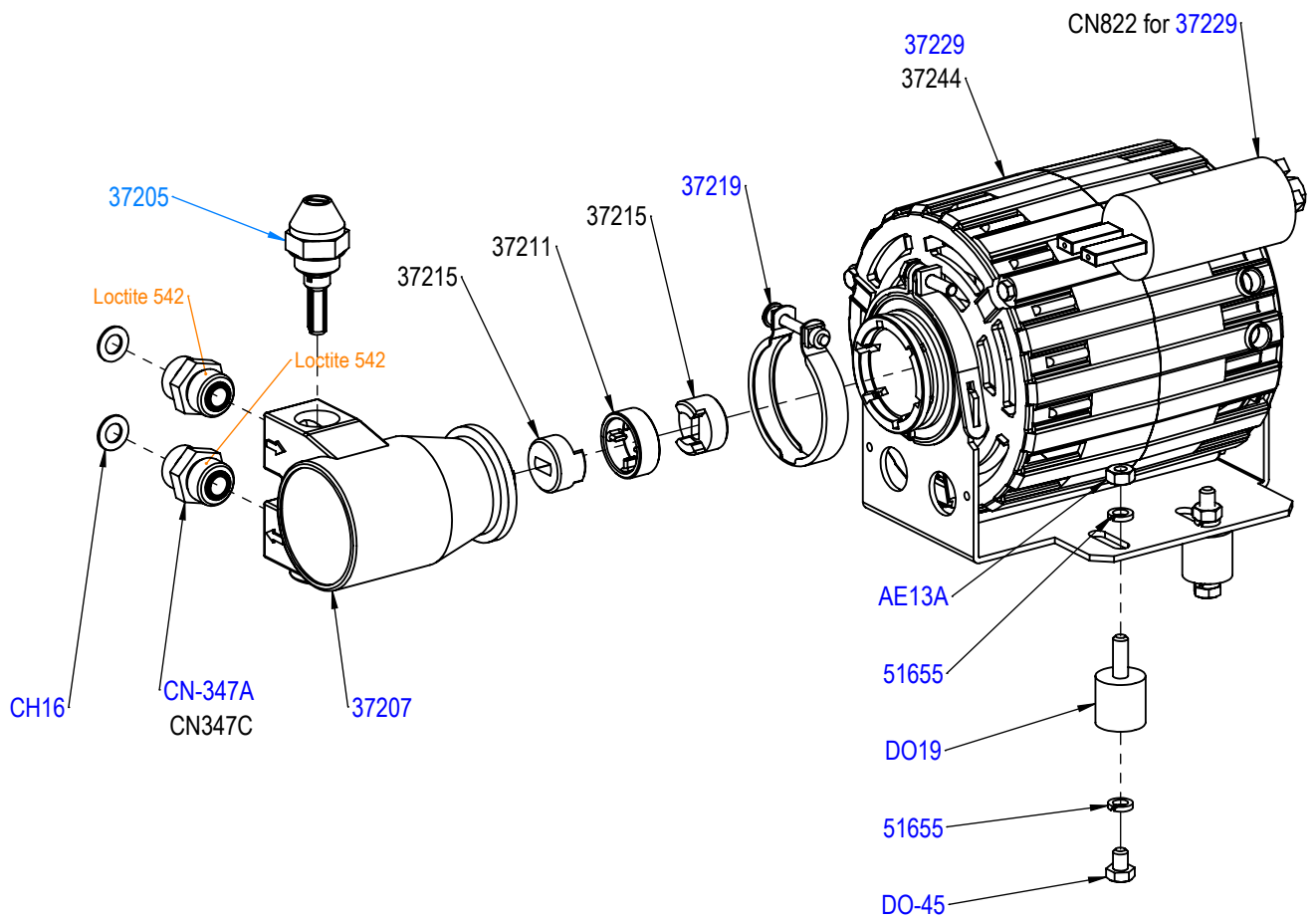
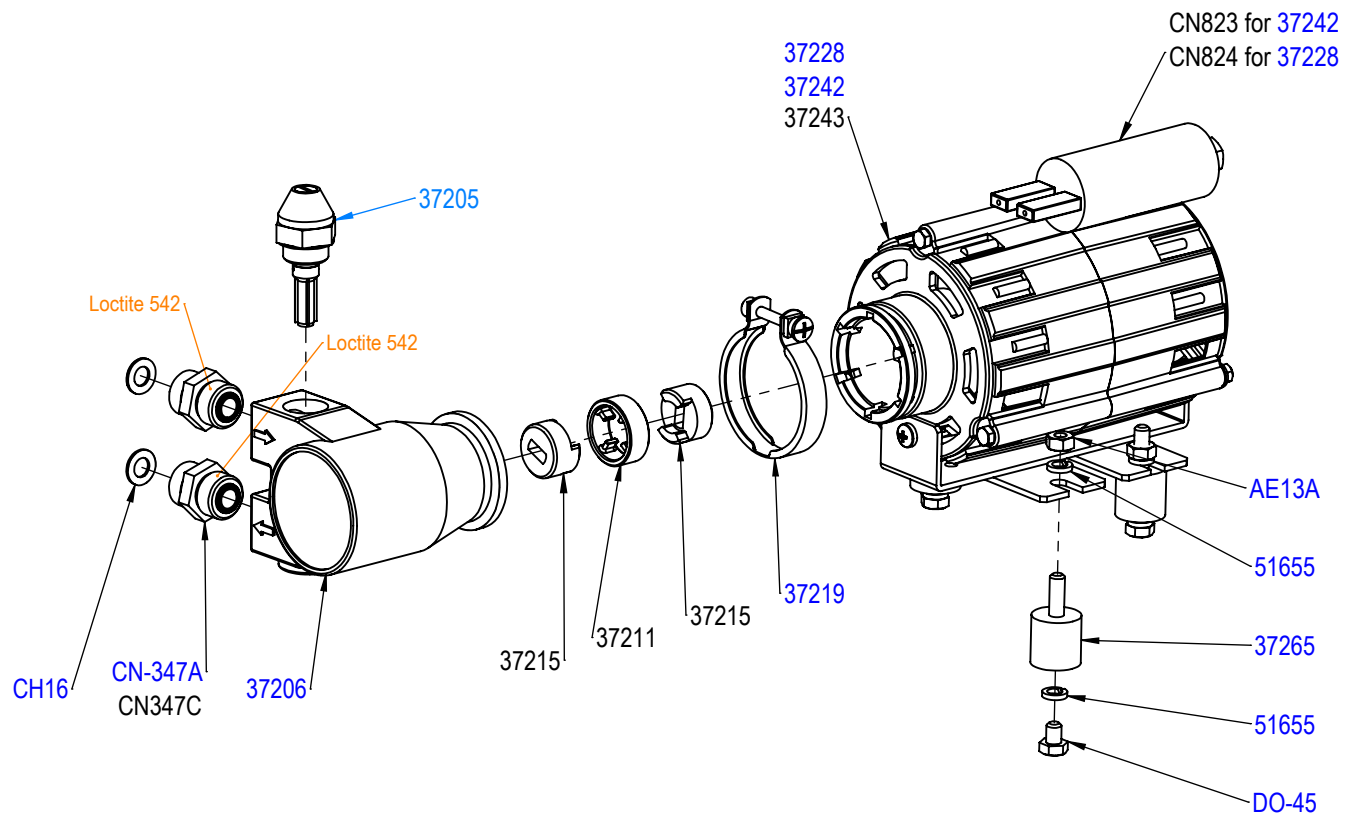


PLANCHE - PLATE 320

REF	ELUX	DESIGNATIONS FR	DESIGNATIONS GB
37205	0UN899	BY PASS POUR POMPE FLUIDOTECH	BY PASS FOR FLUIDOTECH PUMP
37206	0UN382	POMPE ROTATIVE 100L/H SANS PLOMB	UNLEADED PUMP 100L/H
37207	0UN056	POMPE ROTATIVE 200L/H SANS PLOMB	UNLEADED PUMP 200L/H
37217		ENTRETOISE POUR ACCOUP. MOTEUR-POMPE	SPACER 48 YZ
37218		ACCOUPLLEMENT MALE/FEMELLE MOTEUR-POMPE	ACCOUPLLEMENT MALE/FEMALE
37219		COLLIER POUR POMPE FLUIDOTECH	CLAMP
37222		KIT ACCOUPLEMENT MOTEUR POMPE	GANGING RING KIT
37228		MOTEUR POMPE 120W 220-230V 50-60Hz UL	PUMP MOTOR 120W 220-230V 50-60Hz UL
37229		MOTEUR POMPE 165W 220-230V 50-60Hz UL	PUMP MOTOR 165W 220-230V 50-60Hz UL
37242		MOTEUR POMPE 120W 110V 60Hz - UL	PUMP MOTOR 120W 110V 60Hz - UL
37243		MOTEUR POMPE 120W 220-230V 50-60Hz	PUMP MOTOR 120W 220-230V 50-60Hz
37244		MOTEUR POMPE 165W 220-230V 50-60Hz	PUMP MOTOR 165W 220-230V 50-60Hz
51655	0UNA5W	RONDELLE GROWER DE 6	WASHER 6
AE-13A	0UNA42	ECROU INOX Hu 6-100	NUT M6
CH16	0UN177	JOINT CUIVRE RECUIT 3/8	WASHER - COPPER - 3/8
CN347A	0UN558	RACCORD D'ALIM. 3/8 - 3/8 MM	FITTING - 3/8 X 3/8 -
CN347C		RACCORD D'ALIM 3/8 3/8	FITTING 3/8 3/8
CN822		CONDENSATEUR UL RPM POUR 37229	UL CAPACITOR
CN823		CONDENSATEUR UL RPM POUR 37242	UL CAPACITOR
CN824		CONDENSATEUR UL RPM POUR 37228	UL CAPACITOR
DO19	0UN687	PLOT APB 20-20	SILENTBLOC
DO45		VIS ACIER ZN TH 6 X 8	SCREW 6 X 8



VERSION 2

01/21

MOTEUR POMPE 100L-200L
100L-200L MOTORS PUMPS

320

PLANCHE - PLATE 330

REF	ELUX	DESIGNATIONS FR	DESIGNATIONS GB
21103	0UN390	BOUCHON 1/4	PLUG 1/4
23751	0UN088	AXE DE BANJO 1/8	BANJO SCREW
24456	0UN435	RACCORD DROIT 1/8M 1/8F	FITTING 1/8
25400	0UN124	FILTRE INOX	FILTER
26305	0UN475	CLAPET ANTI RETOUR COMPACT NSF	NON RETURN VALVE NSF
28104	0UN146	JOINT TORIQUE 2X9,5 FKM 80SH	GASKET 2X9,5
35515	0UN551	EV 2 VOIES 24V 50-60HZ NSF	EV 2 WAYS 24V 50-60HZ NSF
36510	0UN218	CAPTEUR DE PRESSION 0-16b	0-16b PRESSURE SENSOR
CN347A	0UN558	RACCORD D'ALIM. 3/8 - 3/8 MM	FITTING - 3/8 X 3/8 -
CN347C		RACCORD D'ALIM 3/8 3/8	FITTING 3/8 3/8
CN441A	0UN465	RACCORD 1/4M-3/8M	FITTING 1/4 3/8
CN633		CONNECTEUR DE COMPT. VOLUM.	CONNECTOR
CN648	0UN109	COMPTEUR VOLUMETRIQUE	WHOLE W.DOSING DEVICE
CN663	0UN058	CLAPET ANTI RETOUR COMPACT	VALVE - NON-RETURN
DO187	0UN767	CORPS DE SOUPAPE	VALVE BODY
DO188	0UN768	TIGE DE SOUPAPE	VALVE PISTON
DO189	0UN557	ECROU DE SOUPAPE	VALVE NUT
DO190	0UN860	CONTRE ECROU M18 X 100	NUT M18 X 100
DO191	0UN136	SOUPAPE H.P. COMPLETE	COMPLET H.P. VALVE
ID98	0UN646	JOINT CUIVRE GICLEUR D1.7X14.5	JET COPPER GASKET D1.7X14.5
MI36	0UN422	RACCORD 1/8M 1/8M	CONNECTION 1/8
PC14	0UN510	BILLE INOX POLIE DE 11	STAINLESS STEEL BALL DIA 11
PE59	0UN201	VIS TCHC M4x10 INOX	SCREW 4 X 10
PH78	0UN202	JOINT TORIQUE 2,62X9,13 EPDM	O RING - 9,13 X 2,62
PH83	0UN302	JOINT TORIQUE 2,62X9,19 PTFE	O RING 9,19 X 2,62 PTFE
R100	0UN228	RACCORD LAITON	FITTING
R100A	0UN699	RACCORD LAITON SP	FITTING SP
RO14	0UN446	RESSORT F20/10L26.5 D13 P5	SPRING
TG2026	0UN634	TOLE SUPPORT DOSEUR	HOLDER SHEET DOSER
TG4014	0UN262	RACCORD NOURRICE 3 VOIES	FITTING 3 WAYS

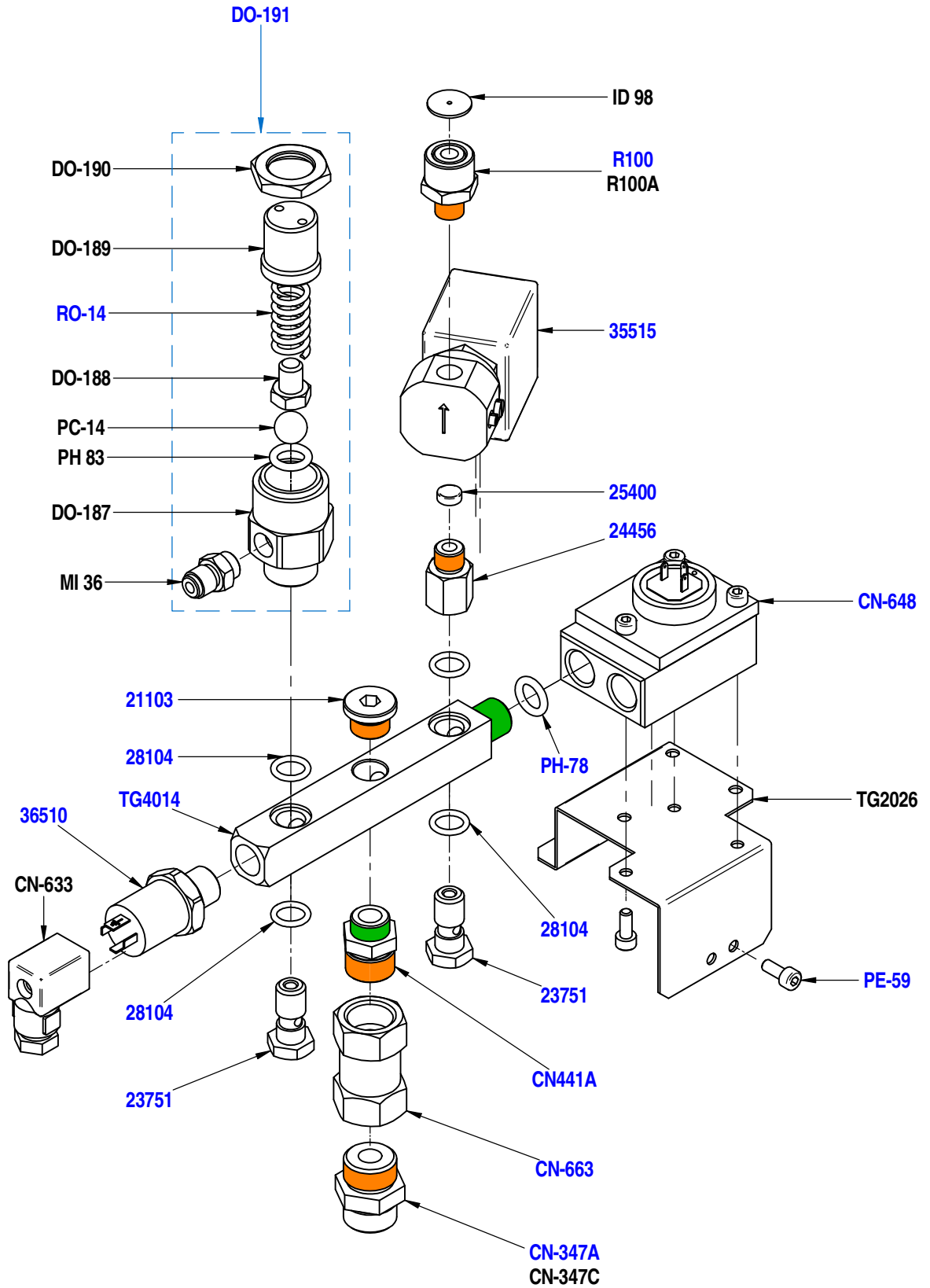


PLANCHE - PLATE 340

REF	ELUX	DESIGNATIONS FR	DESIGNATIONS GB
23790	0UN957	PORTE SONDE EN LAITON	LEVEL PROBE HOLDER
26503	0UN744	ENSEMBLE NIVEAU SONDE 1/4	LEVEL PROBE 1/4 SET
26520	0UNA41	SONDE DE NIVEAU L=250	LEVEL PROBE
26525	0UNA61	SONDE DE NIVEAU L=212	LEVEL PROBE L=212
26526	0UN230	SONDE DE NIVEAU HAUT	HIGH LEVEL PROBE
26527	0UN231	SONDE DE NIVEAU BAS	LOW LEVEL PROBE
27200	0UN155	SOUPAPE VAPEUR BP 3,5 BARS	LP VALVE 3.5 BARS
27220	0UN298	SOUPAPE VAPEUR BP 3,5 BARS NSF	LP VALVE 3.5 BARS NSF
29053	0UN613	RONDELLE ISOLATION CHAUDIERE	BOILER INSULATION WASHER
29055	0UNA9J	CHAUDIERE	BOILER
29815	0UN331	CACHE RESISTANCE	INSULATOR BOOT
29855	0UN158	ELEMENT CHAUFFANT 230V 4500W	HEATING ELEMENT 230V 4500W
85210	0UN989	ISOLANT CHAUDIERE	THERMIC INSULATOR
36510MPS	0UN377	CAPTEUR DE PRESSION 0-16b SENSATA	0-16b PRESSURE SENSOR
CV20	0UN090	JOINT TORIQUE 3,53X66,68 FKM	GASKET - 66.68 x 3.53
CV3	0UN964	VIS TH M8 x 20 INOX	S.STEEL SCREW M8 x 20
FR6060	0UNA30	TUBE PLONGEUR EAU CHAUDE	HOT WATER DIVER PIPE
NA70	0UN197	BLOCAGE ELECTRODE NIVEAU AUTO	LEVEL PROBE COMPRESSION NUT
NA71	0UN198	PORTE-ELECTRODE EN TEFLON	LEVEL PROBE INSULATION
PA96	0UNBFV	JOINT TORIQUE 1,78X12,42 EPDM	GASKET 1.78 X 12.42
RR83	0UN592	RONDELLE GROVER DE 8	WASHER 8
TG4015	0UN356	RACCORD CAPTEUR DE PRESSION	PRESSURE SENSOR FITTING
TG4078		SUPPORT SOUPAPE BP	LP VALVE HOLDER
TG7022		PROTECTION SOUPAPE	VALVE PROTECTION
TG7023	0UNBY6	COUVERCLE PROTECTION SOUPAPE	COVER VALVE PROTECTION

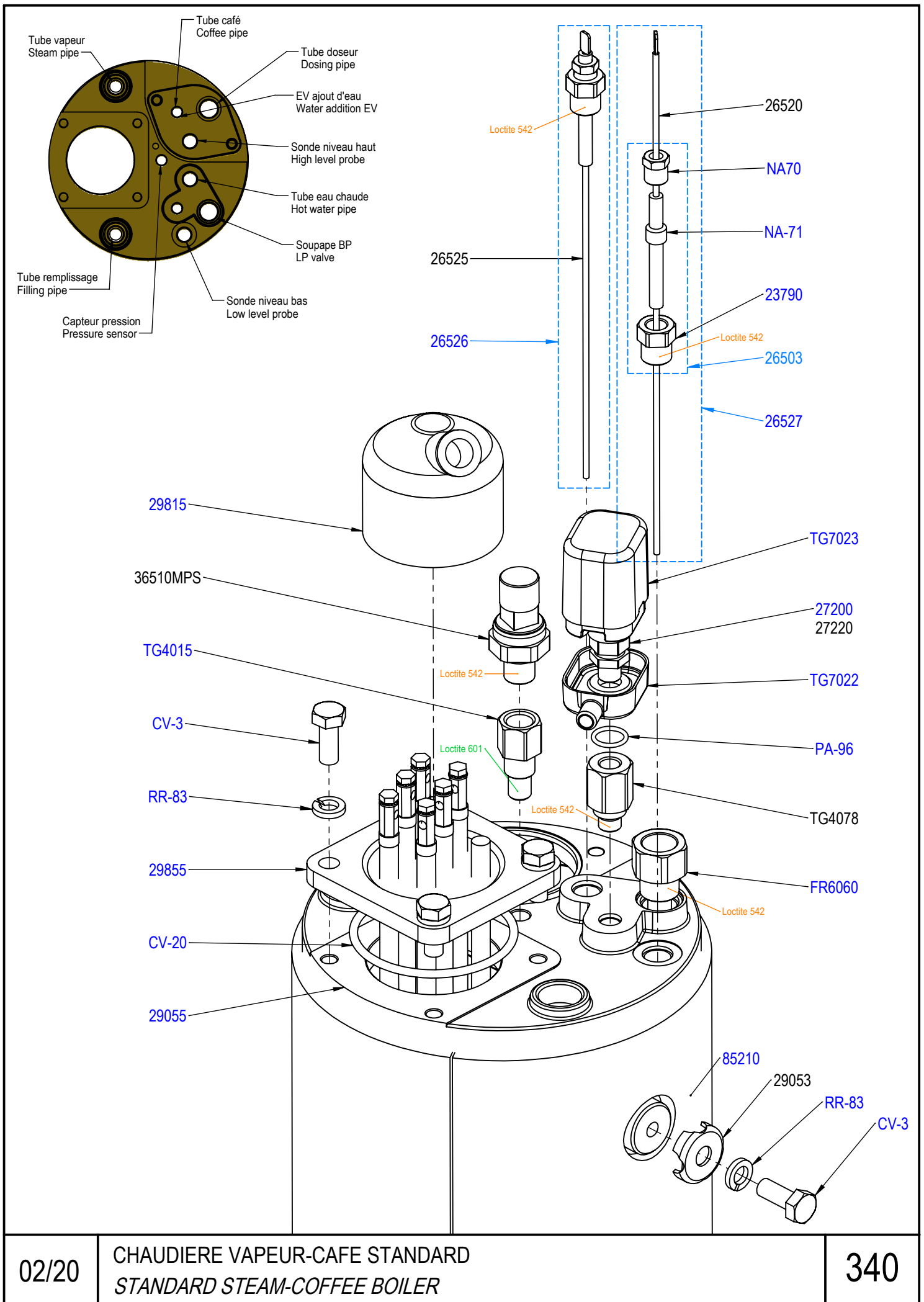


PLANCHE - PLATE 345

REF	ELUX	DESIGNATIONS FR	DESIGNATIONS GB
20964	0UN467	RACCORD 3/8M 1/2F	CONNECTION 3/8M 1/2F
21100	0UN994	BOUCHON 1/8	PLUG 1/8
23117	0UN134	GICLEUR DIAM:0,7	JET DIAM. 0.7
23751	0UN088	AXE DE BANJO 1/8	BANJO SCREW
23752	0UN969	CORPS DE BANJO 1/8	BANJO BODY FOR UNIT HEAD
23763	0UN264	AXE BANJO 1/4M - 1/8F	BANJO SCREW 1/4M 1/8F
27716	0UN236	JOINT TORIQUE 1,78 X 17.17 FKM	GASKET 1,78 X 17.17
27796	0UN023	JOINT TORIQUE 1,78 X 12,42 NEXUS	O RING 1.78 X 12,42
28134	0UN019	JOINT TORIQUE 2X9,5 NEXUS	O RING 2X9,5
29070	0UNA1U	CHAUDIERE INTERNE	INTERNAL BOILER
29611	0UN245	BRIDE DE CHAUDIERE	FLANGE BOILER
35500	0UN080	ELECTROVANNE 2 VOIES 24V D2.3	ELECTROVALVE 2 WAYS 24V D2,3
35505	0UN437	ELECTROVANNE 2 VOIES 24V NSF	2 WAYS ELECTROVALVE
50406	0UN554	VIS H M8X25 INOX	S.S SCREW M8X25
28720T	0UN141	JOINT PLAT PTFE	PTFE FLAT GASKET
CH17	0UN972	JOINT CUIVRE RECUIT 1/2	WASHER - COPPER - 1/2
DV88	0UN495	BOUCHON	PLUG
FR1062	0UN192	ENSEMBLE EV AJOUT EAU	ADDING WATER EV SET
FR4025	0UN463	SORTIE CAFE	COFFEE OUTLET SCREW
FR4069	0UN464	RACCORD 1/8M M8 X 100	FITTING 1/8M M8 X 100
FR4090	0UN472	SORTIE AJOUT EAU	WATER ADDING OUTLET
FR4180	0UN285	TUBE TEFLON ALIM. GROUPE L:36	UNIT FEEDING TUBE L36
FR6052	0UNA3P	TUBE GROUPE CAFE	EV COFFEE PIPE
FR6061	0UNA3C	TUBE DOSEUR	METERING UNIT PIPE
FR6513	0UN591	TUBE PTFE SORTIE EAU CHAUDE L:145	OUTLET HOT WATER PIPE L:145mm
RR83	0UN592	RONDELLE GROVER DE 8	WASHER 8
TC80	0UN211	JOINT TORIQUE 1,78X2,90 FKM	GASKET 1.78X2.90 FKM

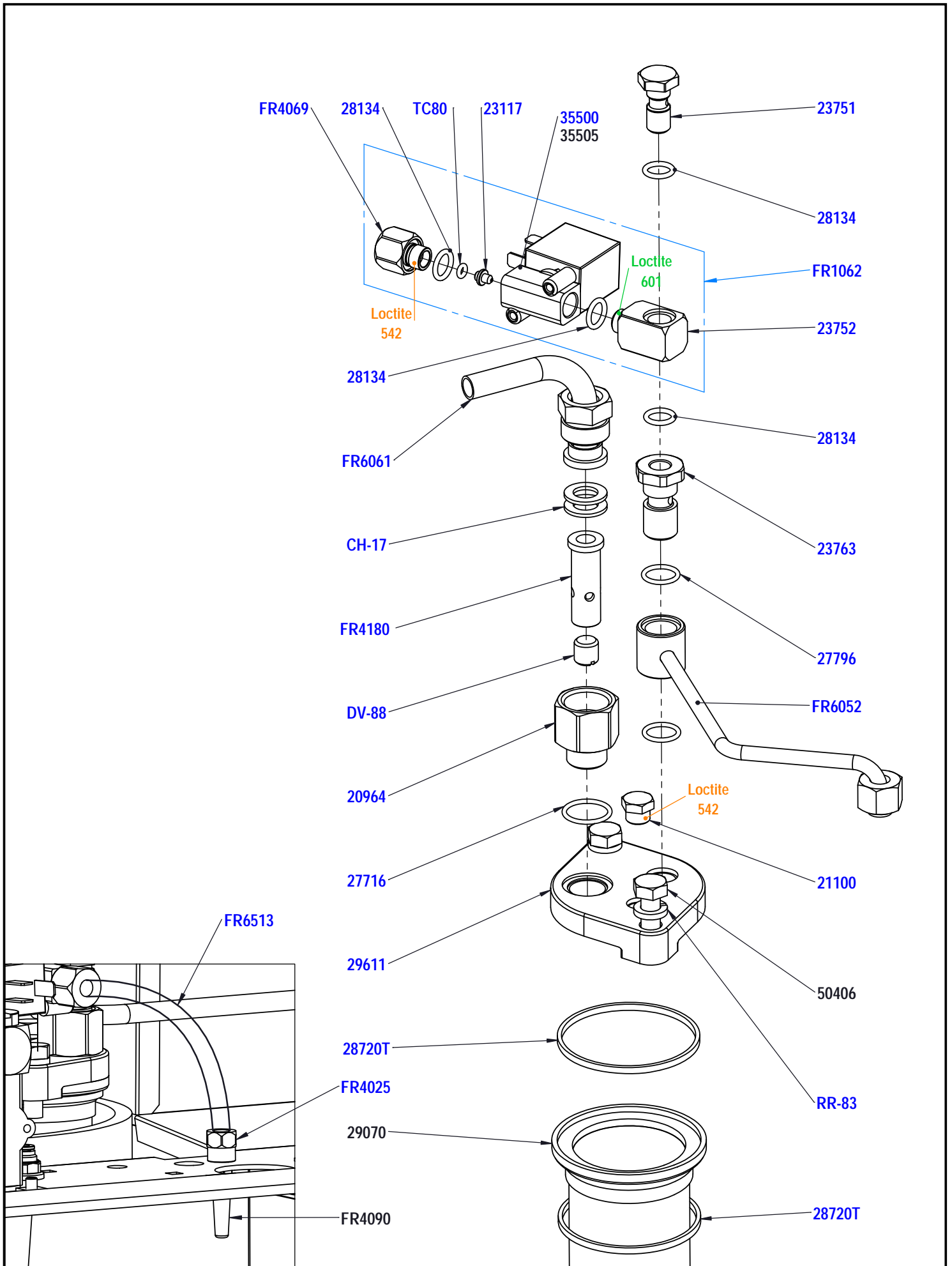


PLANCHE - PLATE 360

REF	ELUX	DESIGNATIONS FR	DESIGNATIONS GB
12704	0UN041	TUBE SILICONE 7X12	<i>SILICONE PIPE 7X12</i>
FR4219	0UN403	VIS IMPERDABLE	<i>CAPTIVE SCREW</i>
FR6520	0UN024	TUBE CAFE lg 238 mm	<i>COFFEE PIPE length 238 mm</i>
FR6521	0UN946	TUBE DETERGENT	<i>DETERGENT PIPE</i>
FR6525	0UN945	TUBE DE DECOMPRESSION L 400MM	<i>DISCHARGE PIPE L 400MM</i>
FR6526	0UN949	TUBE DE DECOMPRESSION L 430MM	<i>DISCHARGE PIPE L 430MM</i>
TG8029	0UN829	CABLE COMMANDES DROITE	<i>RIGHT CONTROL WIRE</i>
TG8043	0UN456	CABLE CMD EVRE, EVSE ,EVSV,EVKG	<i>EVRE, EVSE, EVSV, EVKG WIRE</i>
MI71	0UNA3H	COLLIER INCOLORE 150 X 3,5mm	<i>COLOURLESS COLLAR 150 x 3,5mm</i>

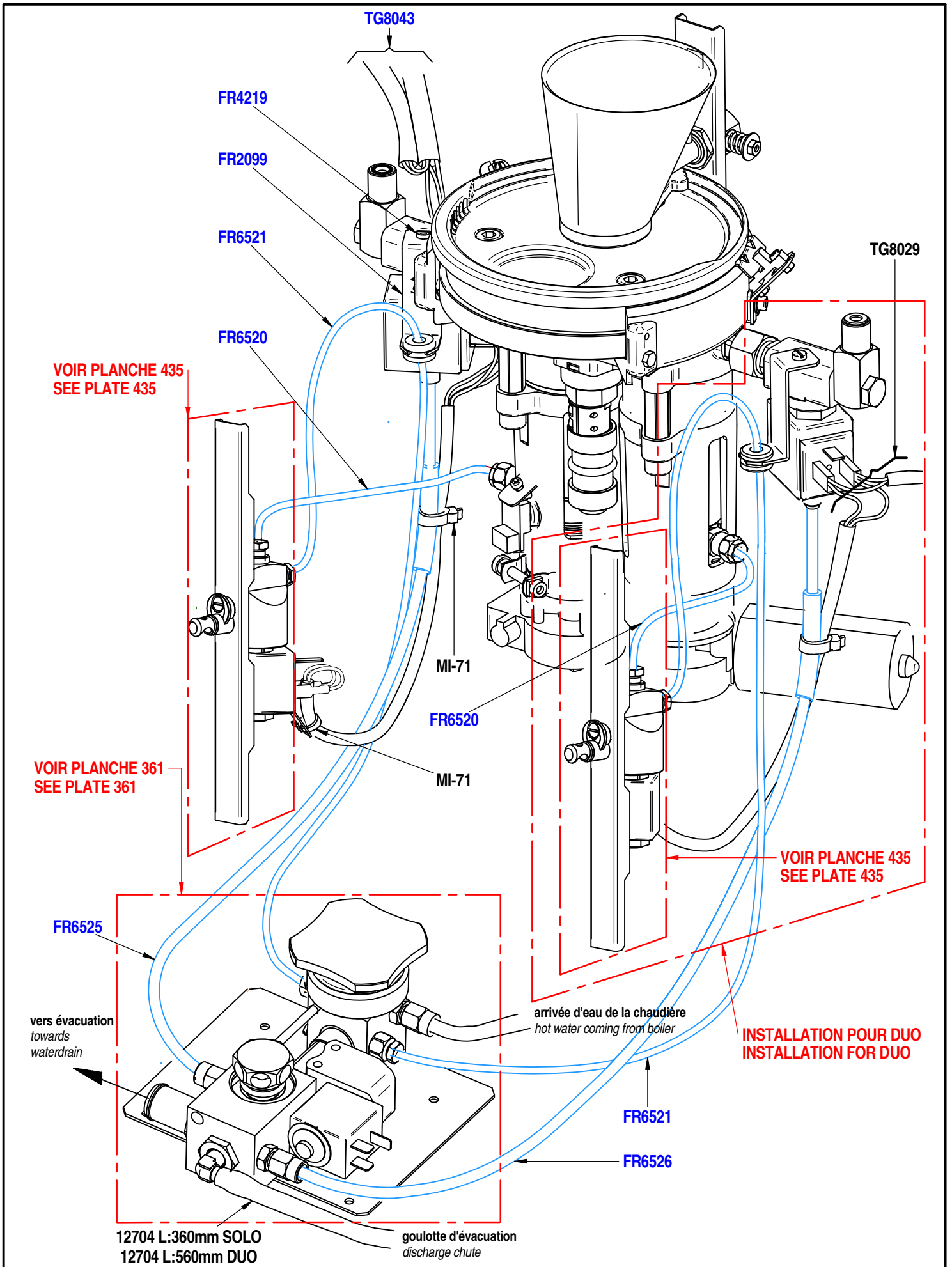


PLANCHE - PLATE 361

REF	ELUX	DESIGNATIONS FR	DESIGNATIONS GB
21100	0UN994	BOUCHON 1/8	PLUG 1/8
21455	0UN912	RACCORD TETINE 1/8M D7	FITTING 1/8M D7
21456	0UN566	RACCORD COUDE 1/8M D7	FITTING 1/8M D7
27821	0UN240	JOINT TORIQUE 2,62 X 7,59	O-RING 2,62 X 7,59
27845	0UN144	JOINT TORIQUE 2.62 X 17.13	O-RING 2.62 X 17.13
27907	0UN103	JOINT TORIQUE 3.53 X 34.52 EPDM	GASKET 3.53 X 34.52 EPDM
28700	0UN322	JOINT PLAT DU BOUCHON	GASKET
35550	0UN022	ELECTROVANNE N.O 24V 50HZ	ELECTROVALVE N.O 24V 50HZ
35560	0UN307	ELECTROVANNE N.O 24V 60HZ UL	ELECTROVALVE N.O 24V 60HZ UL
50110	0UN931	VIS Chc M4 X 90	SCREW M4 X 90
AE28	0UN562	VIS TF M3 X 16	SCREW M3 X 16
B53	0UN492	ECROU CHROME BLOCAGE BASSINE	OVERFLOW-TRAY LOCK NUT
CN342	0UNA3L	RONDELLE EVENTAIL 3	WASHER 3
CN37		PATTE INOX FIXATION MINIRUPT.	MICROSWITCH HOLDING BAR
CN620	0UN182	LEVIER AV.RESSORT 161E r=24,1	LEVER WITH CASTOR
CN642E	0UN326	MINIRUPTEUR ETANCHE	WATERPROOF MICROSWITCH
FR1013	0UN265	BLOC NETTOYAGE	CLEANING BLOCK
FR1022	0UN191	KIT BOUCHON DE NETTOYAGE	CLEANING PLUG
FR2001	0UNA83	TOLE MICROSWITCH	MICROSWITCH HOLDER
FR2006	0UNA23	TOLE SUPPORT COLLECTEURS	COLLECTOR HOLDER
FR2135	0UN286	GRILLE DU BLOC PASTILLE	GRID
FR4035	0UN911	BLOC PASTILLE	CLEANING BLOC
FR4038	0UN033	BOUCHON DU NETTOYAGE	CLEANING CAP
FR4049	0UN921	RACCORD 1/8M M8 X 100	FITTING 1/8M M8 X 100
FR4210	0UN695	BLOC VIDANGE 40X40	BLOCK DRAIN
FR4211	0UN378	TETINE LATÉRALE D'ÉVACUATION	NIPPLE DISCHARGE SIDE
FR4212	0UN439	RACCORD LISSE	SMOOTH FITTING
FR4213	0UN862	REDUCTION 3/8" 1/8"	REDUCTION 3/8" 1/8"
FR4216	0UN876	ENTRETOISE D6X1	SPACER D6X1
MI36	0UN422	RACCORD 1/8M 1/8M	CONNECTION 1/8
PG49	0UNA45	ECROU INOX Hu DE 3	NUT M3
RO13	0UNA3U	VIS INOX TC 4 x 10	SCREW M4 X 10 -

- Loctite 222
- Loctite 601
- Loctite 542
- Thermal paste 84236

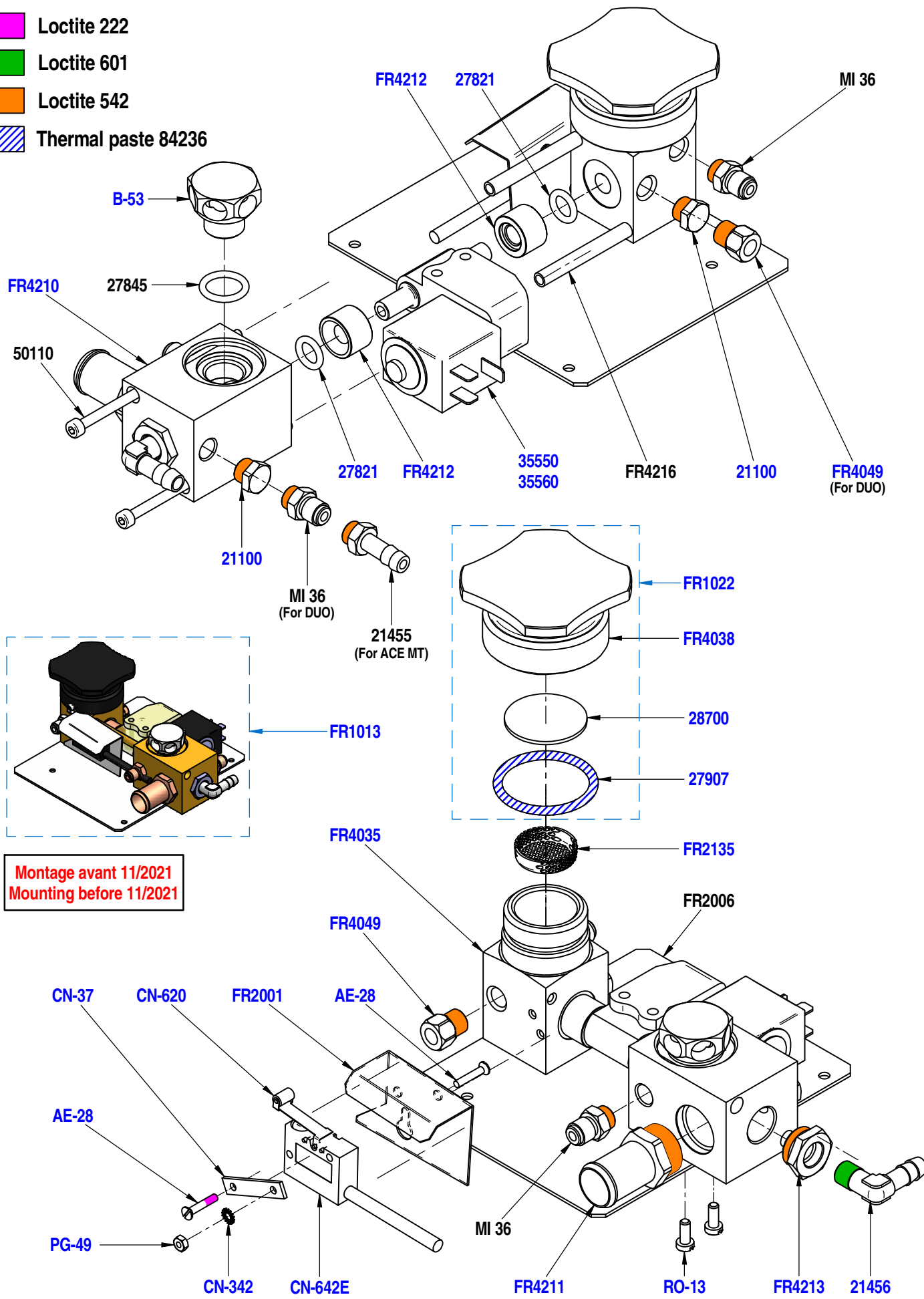


PLANCHE - PLATE 362

REF	ELUX	DESIGNATIONS FR	DESIGNATIONS GB
20957	0UN372	RACCORD DROIT 1/8G	FITTING 1/8G
23760	0UN291	AXE BANJO 1/4	BANJO SCREW 1/4
23761	0UN474	CORPS DE BANJO 1/4	BANJO BODY 1/4
26301	0UN030	CLAPET ANTI-RETOUR 1/8	NO RETURN VALVE 1/8
27796	0UN023	JOINT TORIQUE 1,78 X 12,42 NEXUS	O RING 1.78 X 12,42
35510	0UN451	EV 2 VOIES 24V NSF	ELECTROVALVE 2 WAYS 24V NSF
CH16	0UN177	JOINT CUIVRE RECUIT 3/8	WASHER - COPPER - 3/8
CN245R	0UN031	ELECTROVANNE 2V 24V-50/60Hz	ELECTROVALVE 2W 24V-50/60Hz
CN441A	0UN465	RACCORD 1/4M-3/8M	FITTING 1/4 3/8
CN651	0UN940	ENTRETOISE COURTE DU C.I.	SHORT SPACER FRAME
FR1626	0UN363	BLOC NETTOYAGE CAFE SOLO	CLEANING COFFEE BLOCK
FR6012	0UNA70	TUBE ALIMENTATION BLOC PASTILLE(S)	CLEANING DEVICE FEEDING PIPE
FR6035	0UNA5U	TUBE ALIM. EV NETTOYAGE GROUPE	CLEANING EV FEEDING PIPE
FR6058	0UNA5J	TUBE NETTOYAGE GROUPE CAFE	COFFEE CLEANING PIPE
MI18	0UN935	RACCORD MM 1/4 - 1/8 G	FITTING - 1/8 x 1/4
PE59	0UN201	VIS TCHC M4x10 INOX	SCREW 4 X 10
PG15B	0UNA3S	RONDELLE INOX 4.2X10X0.8	WASHER

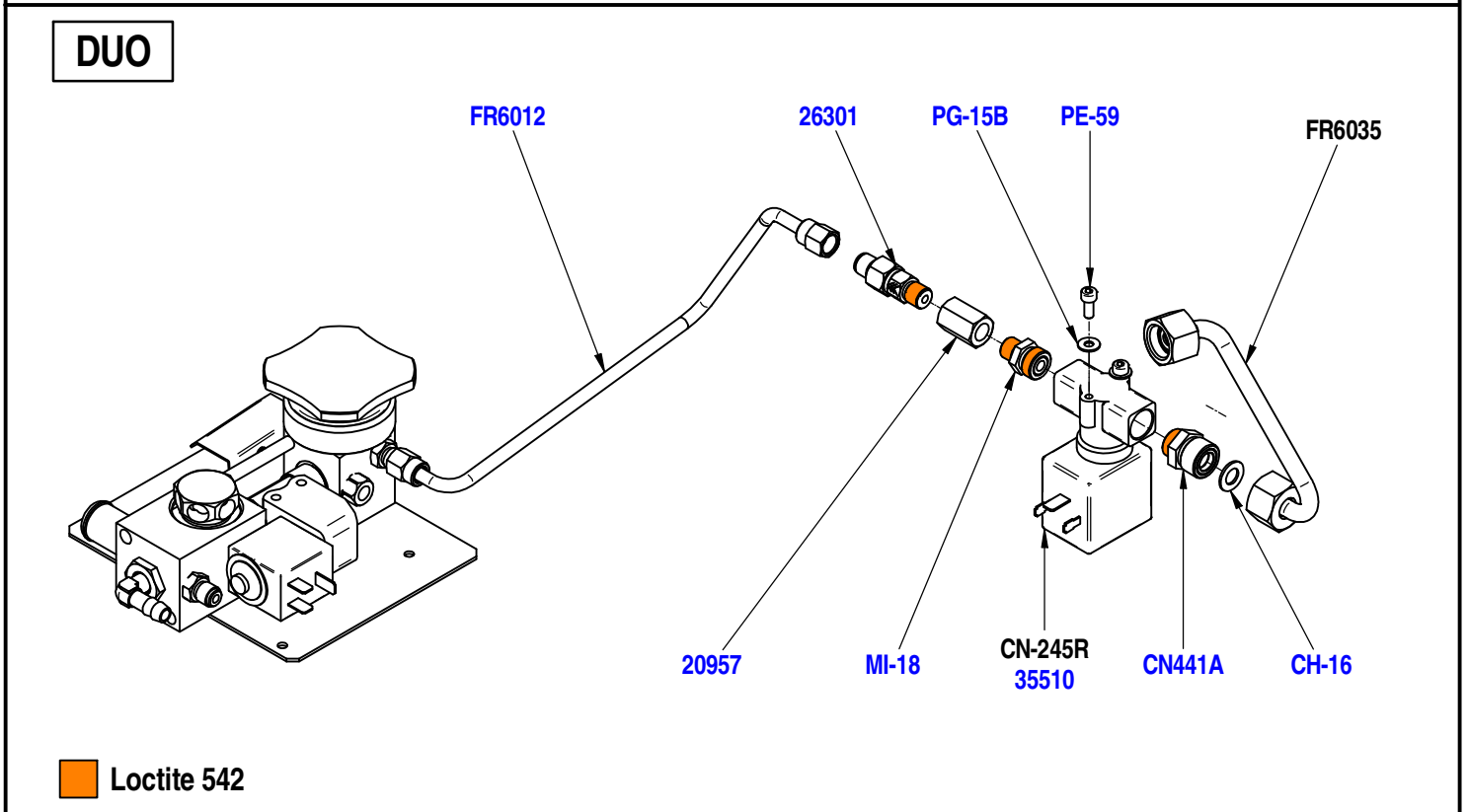
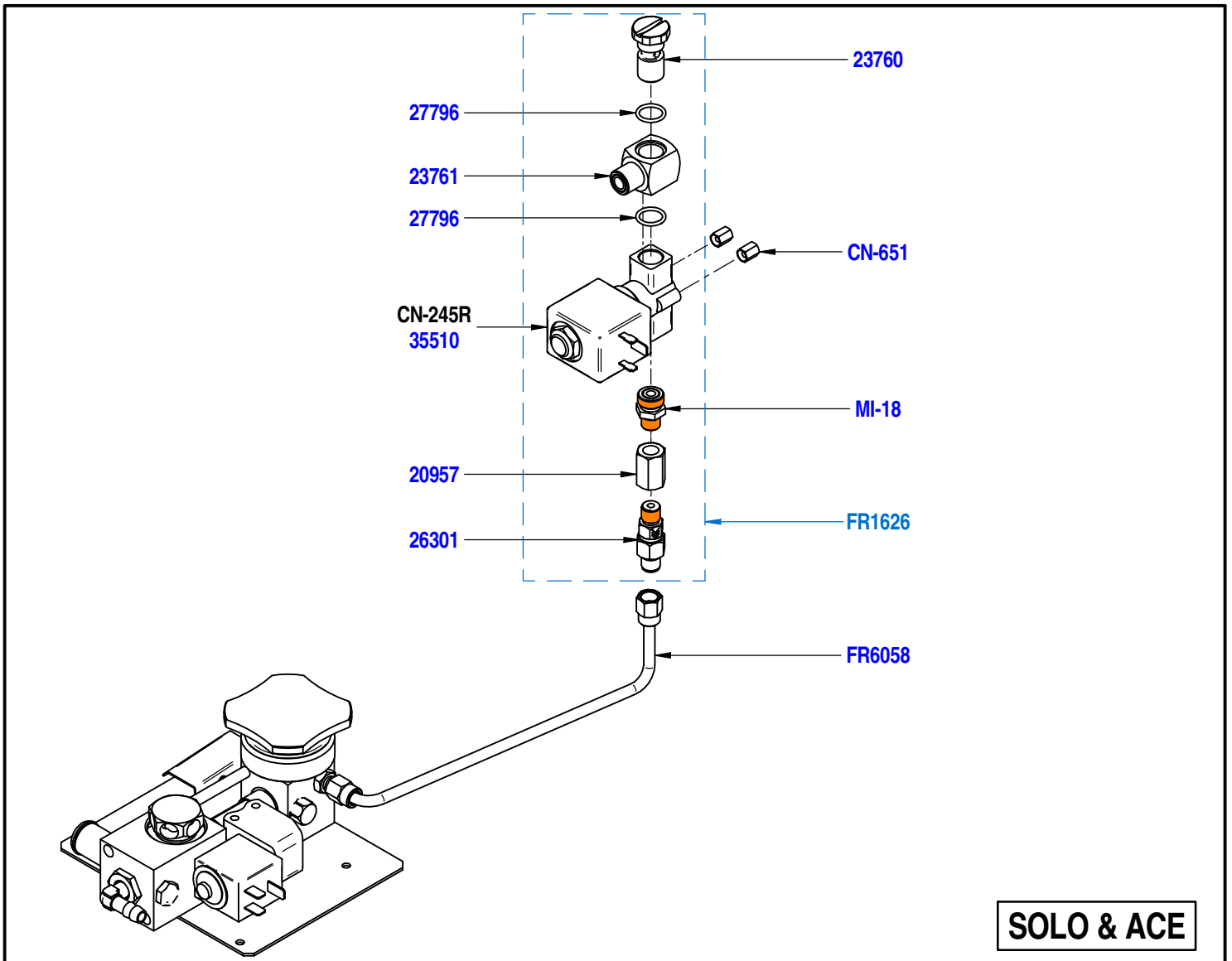


PLANCHE - PLATE 363

REF	ELUX	DESIGNATIONS FR	DESIGNATIONS GB
21100	0UN994	BOUCHON 1/8	PLUG 1/8
21455	0UN912	RACCORD TETINE 1/8M D7	FITTING 1/8M D7
21456	0UN566	RACCORD COUDE 1/8M D7	FITTING 1/8M D7
27821	0UN240	JOINT TORIQUE 2,62 X 7,59	O-RING 2,62 X 7,59
27845	0UN144	JOINT TORIQUE 2.62 X 17.13	O-RING 2.62 X 17.13
27907	0UN103	JOINT TORIQUE 3.53 X 34.52 EPDM	GASKET 3.53 X 34.52 EPDM
28700	0UN322	JOINT PLAT DU BOUCHON	GASKET
35550	0UN022	ELECTROVANNE N.O 24V 50HZ	ELECTROVALVE N.O 24V 50HZ
35560	0UN307	ELECTROVANNE N.O 24V 60HZ UL	ELECTROVALVE N.O 24V 60HZ UL
50016		VIS TH M3 X 16	SCREW M3 X 16
50113	0UNA10	COLONNETTE M-F M4X13	SPACER M-F M4X13
50120	0UN757	VIS TC M4X35 INOX	S.STEEL SCREW M4X35
B53	0UN492	ECROU CHROME BLOCAGE BASSINE	OVERFLOW-TRAY LOCK NUT
CN325	0UN284	VIS INOX TC 4 x 6	SCREW M4 X 6
CN342	0UNA3L	RONDELLE EVENTAIL 3	WASHER 3
CN37		PATTE INOX FIXATION MINIRUPT.	MICROSWITCH HOLDING BAR
CN620	0UN182	LEVIER AV.RESSORT 161E r=24,1	LEVER WITH CASTOR
CN642E	0UN326	MINIRUPTEUR ETANCHE	WATERPROOF MICROSWITCH
CN661	0UN184	ECROU CAGE M4, EP 1/1.6	INSERT NUT M4
DV44	0UN188	VIS TH M4X10 ACIER	SCREW M4x10
FR1022	0UN191	KIT BOUCHON DE NETTOYAGE	CLEANING PLUG
FR2135	0UN286	GRILLE DU BLOC PASTILLE	GRID
FR4038	0UN033	BOUCHON DU NETTOYAGE	CLEANING CAP
FR4049	0UN921	RACCORD 1/8M M8 X 100	FITTING 1/8M M8 X 100
FR4211	0UN378	TETINE LATERALE D'EVACUATION	NIPPLE DISCHARGE SIDE
MI36	0UN422	RACCORD 1/8M 1/8M	CONNECTION 1/8
PG14	0UN277	ECROU M4	NUT M4
PG15B	0UNA3S	RONDELLE INOX 4.2X10X0.8	WASHER
PG49	0UNA45	ECROU INOX Hu DE 3	NUT M3
TG2101		BASSINE TANGO SOLO	SOLO OVERFLOW TRAY
TG2102		BASSINE TANGO DUO	DUO OVERFLOW TRAY
TG2106		TOLE SUPPORT BLOC NETTOYAGE	CLEANING BLOCK SHEET HOLDER
TG2107		TOLE SUPPORT MICRO-SWITCH	MICRO-SWITCH SHEET HOLDER
TG4210		BLOC VIDANGE Ø35	DRAIN BLOCK Ø35
TG4211		BLOC PASTILLES	CLEANING BLOCK
TG4212		ENTRETOISE DE MAINTIEN	MAINTENANCE SPACER

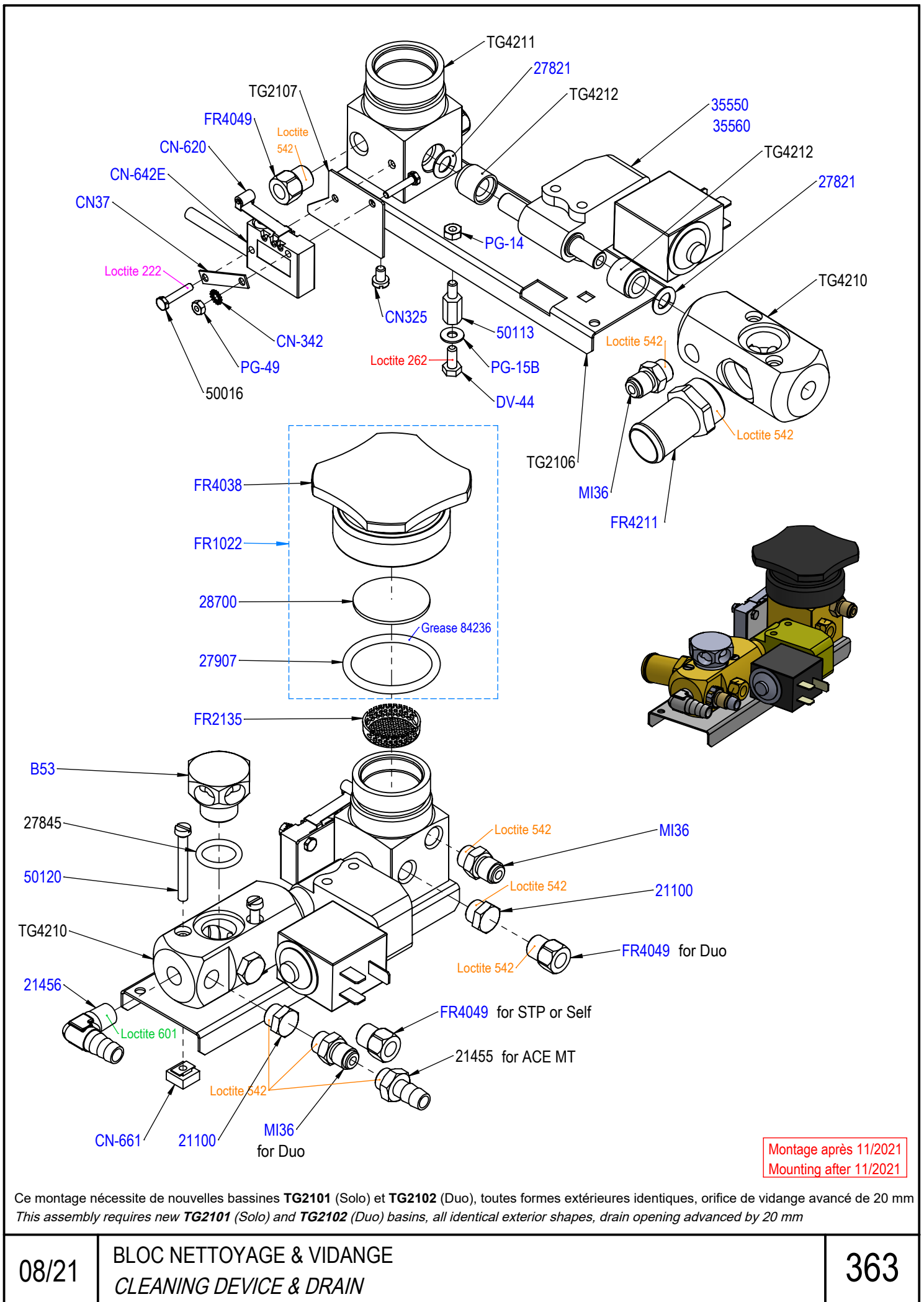


PLANCHE - PLATE 370

REF	ELUX	DESIGNATIONS FR	DESIGNATIONS GB
12704	0UN041	TUBE SILICONE 7X12	<i>SILICONE PIPE 7X12</i>
FR4067	0UN433	GOULOTTE EVACUATION	<i>DRAIN CHUTE</i>
FR4088	0UN903	BOUCHON DE GOULOTTE 4T	<i>DRAIN CHUTE CAP 4 HOLES</i>
PE59	0UN201	VIS TCHC M4x10 INOX	<i>SCREW 4 X 10</i>
TG2018	0UN716	SUPPORT GOULOTTE	<i>DRAIN CHUTE HOLDER</i>

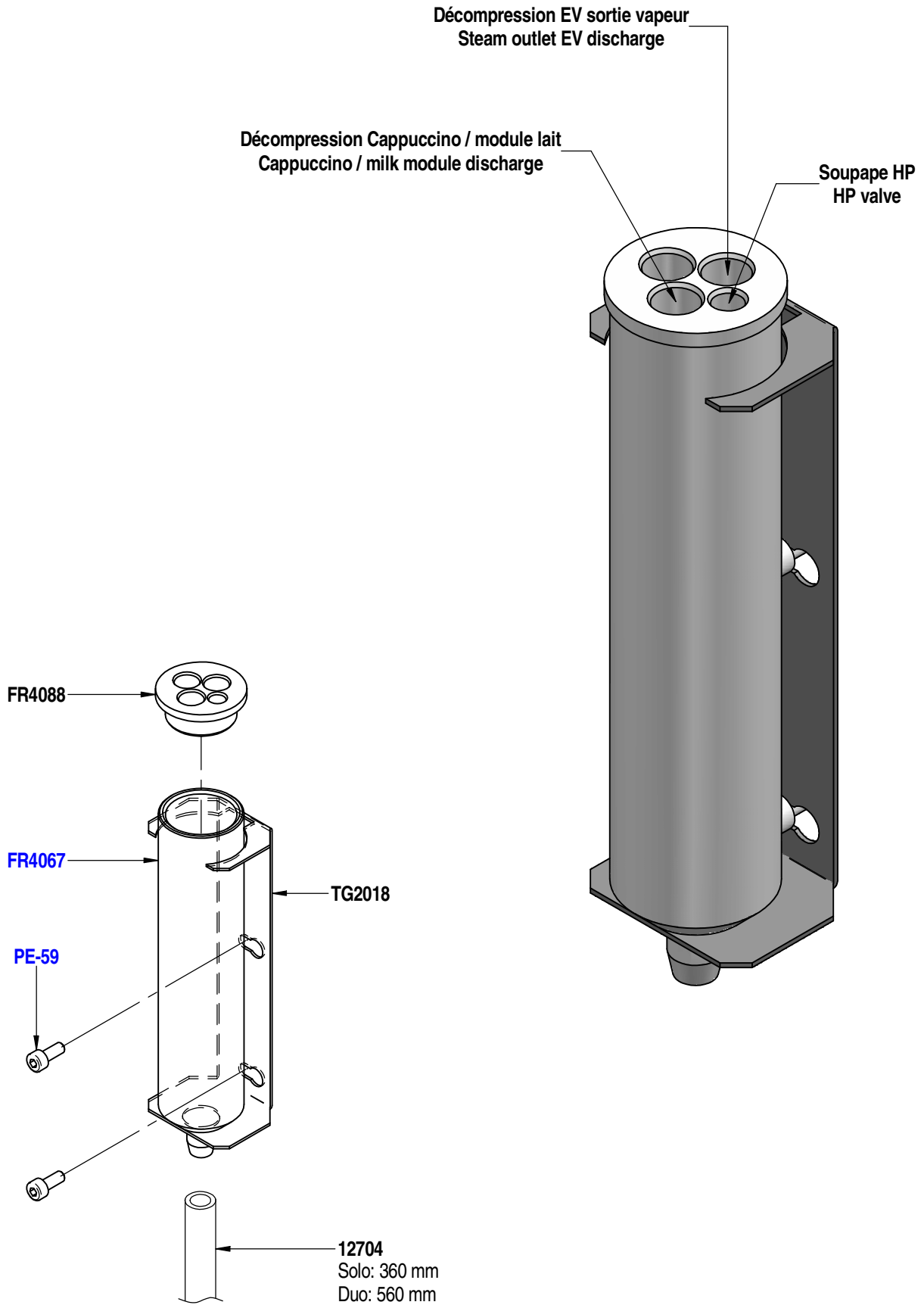


PLANCHE - PLATE 401

REF	ELUX	DESIGNATIONS FR	DESIGNATIONS GB
37505	0UN520	RESSORT BUTEE DE REGLAGE	RING
37510		ENTRETOISE BEC MOULIN	SPACER
37512	0UN869	BEX INOX	GRINDER SPOUT
37516	0UN165	JEU DE MEULES	GRINDING WHEEL SET
37521	0UN335	VIS DE REGLAGE MEULES A DROITE	RIGHT ADJUSTING SCREW
37522	0UN337	VIS DE REGLAGE MEULES A GAUCHE	LEFT ADJUSTING SCREW
37525	0UN309	MOULIN INC. D.64 230/50-60Hz 1Ph UL DROIT	GRINDER INC. D.64 230/50-60Hz 1Ph UL RIGHT
37526	0UN311	MOULIN INC. D.64 230/50-60Hz 1Ph UL GAUCHE	GRINDER INC. D.64 230/50-60Hz 1Ph UL LEFT
37532	0UN535	COLLIER DE SERRAGE	CLAMP
37534	0UN249	LANGUETTE SORTIE BEC	LAMINATED SPRING
44712	0UN304	CONDENSATEUR 16 μ F	CAPACITOR 16 μ F
50106	0UN932	VIS TCHc M4 x 6	SCREW M4 X 6
51655	0UNA5W	RONDELLE GROWER DE 6	WASHER 6
AE13A	0UNA42	ECROU INOX Hu 6-100	NUT M6
CF199	0UN263	RONDELLE ACIER ZN 8x22x1,5	STEEL WASHER 8x22x1,5
DO19	0UN687	PLOT APB 20-20	SILENTBLOC
E11		ECROU ACIER Hu de 8	NUT M8
FR1023	0UN323	ENSEMBLE MOULIN DROIT	RIGHT GRINDER ASSEMBLY
FR1024	0UN318	ENSEMBLE MOULIN GAUCHE	LEFT GRINDER ASSEMBLY
FR4195	0UN320	PROLONGATEUR REGLAGE MOULIN	GRINDER ADJUSTING EXTENSION
PH32	0UN278	RONDELLE ACIER Zn 6,25x14x1,2	WASHER
RO13	0UNA3U	VIS INOX TC 4 x 10	SCREW M4 X 10 -
TG4069		BAGUE JONCTION	LINK RING

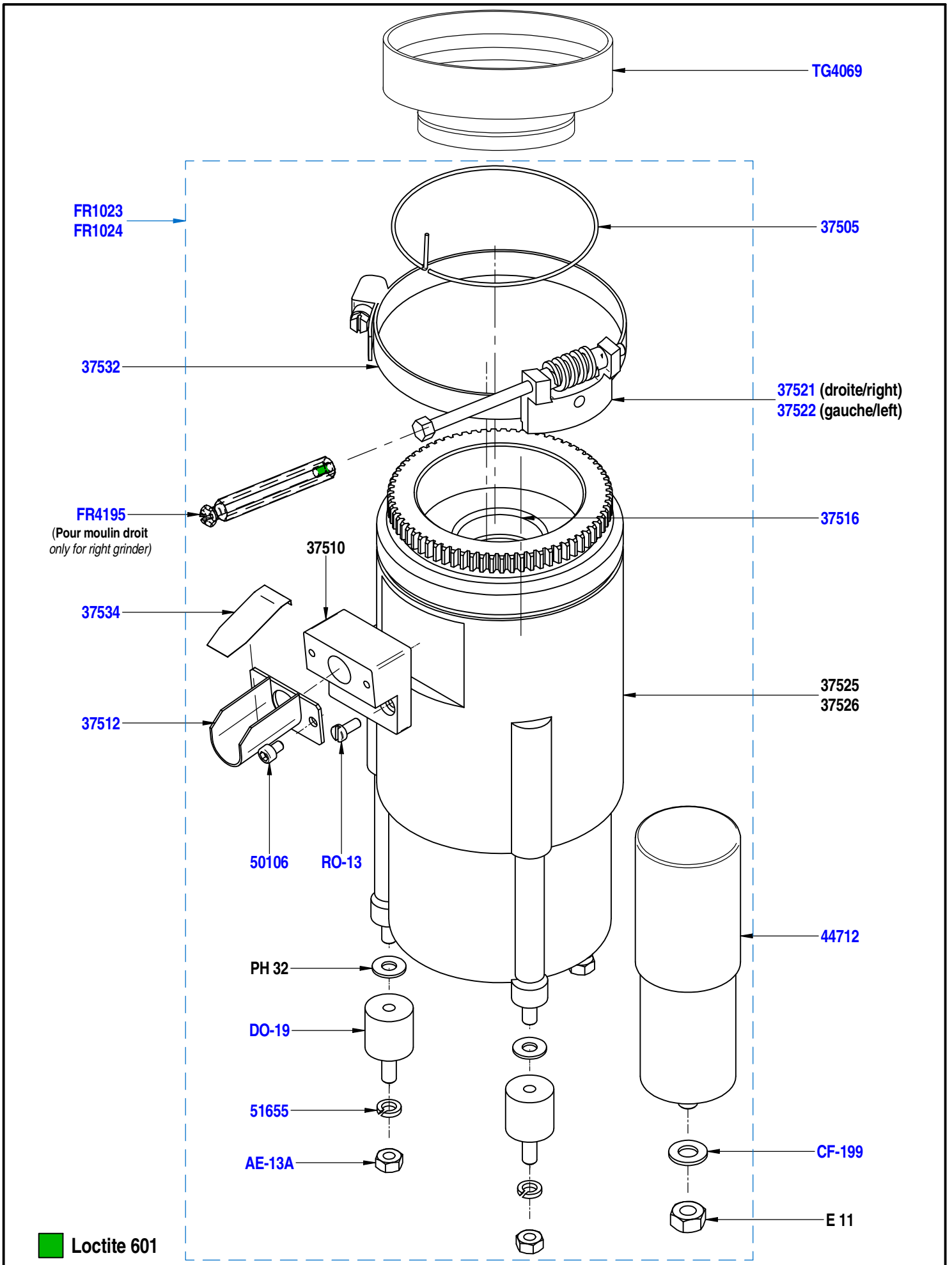
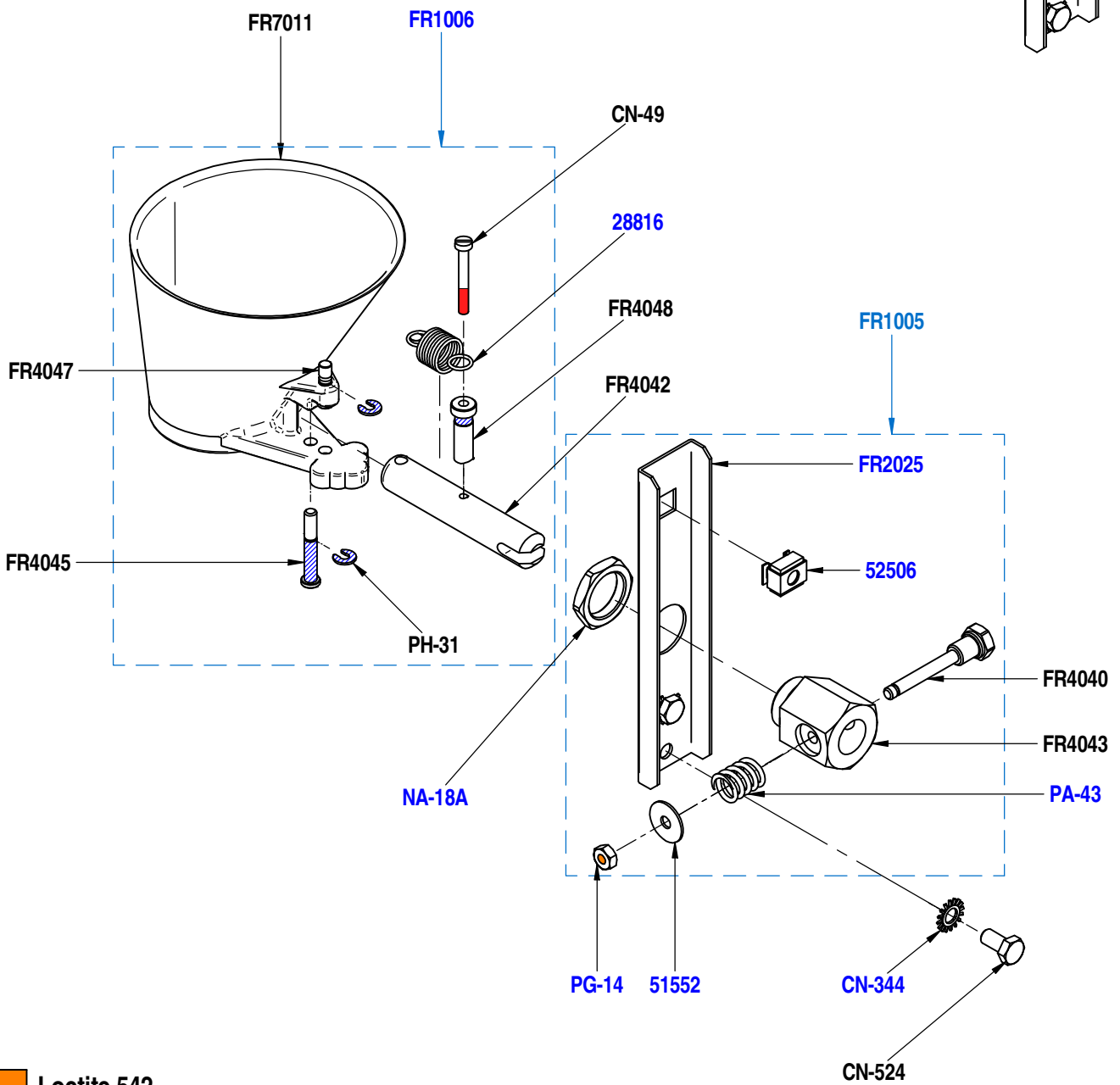
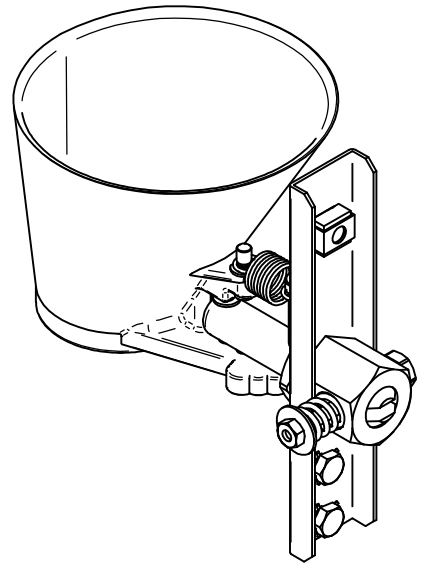


PLANCHE - PLATE 410

REF	ELUX	DESIGNATIONS FR	DESIGNATIONS GB
28816	0UN508	RESSORT ENTONNOIR	FUNNEL SPRING
51552	0UN616	RONDELLE INOX 4.25x14x0.8	S..STEEL WASHER 4.25x14x0.8
52506	0UN279	ECROU CAGE M6 X ep 1	INSERT NUT M6
CN344	0UNA44	RONDELLE EVENTAIL DE 5	LOCK WASHER 5
CN49	0UNBLO	VIS TC M3X25	SCREW M3 X 25
CN524		VIS INOX TH 5 x 10	SCREW M5 X 10
FR1005	0UN770	ENTONNOIR PARTIE FIXE	FUNNEL FIXED KIT
FR1006	0UN189	KIT ENTONNOIR PARTIE MOBILE	FUNNEL MOBILE KIT
FR2025	0UNA71	TOLE SUPPORT ENTONNOIR	FUNNEL HOLDER
FR4040	0UN584	AXE DE VERROUILLAGE ENTONNOIR	LOCKING ROD
FR4042	0UN440	AXE ENTONNOIR	HOLDER ROD
FR4043	0UN470	CORPS SUPPORT ENTONNOIR	FUNNEL HOLDER BODY
FR4045	0UN553	AXE DE ROTATION ENTONNOIR	ROTATING AXLE
FR4047	0UN471	AXE MOBILE	AXLE
FR4048	0UN466	AXE FIXE	AXLE
FR7011	0UN529	ENTONNOIR	FUNNEL
NA18A	0UN698	ECROU LAITON 3/8 4 mm	3/8 NUT
PA43	0UN199	RESSORT F15/10 L14,5 D10,5 P3	SPRING
PG14	0UN277	ECROU M4	NUT M4
PH31	0UN289	ANNEAU TRUARC	TRUARC RING






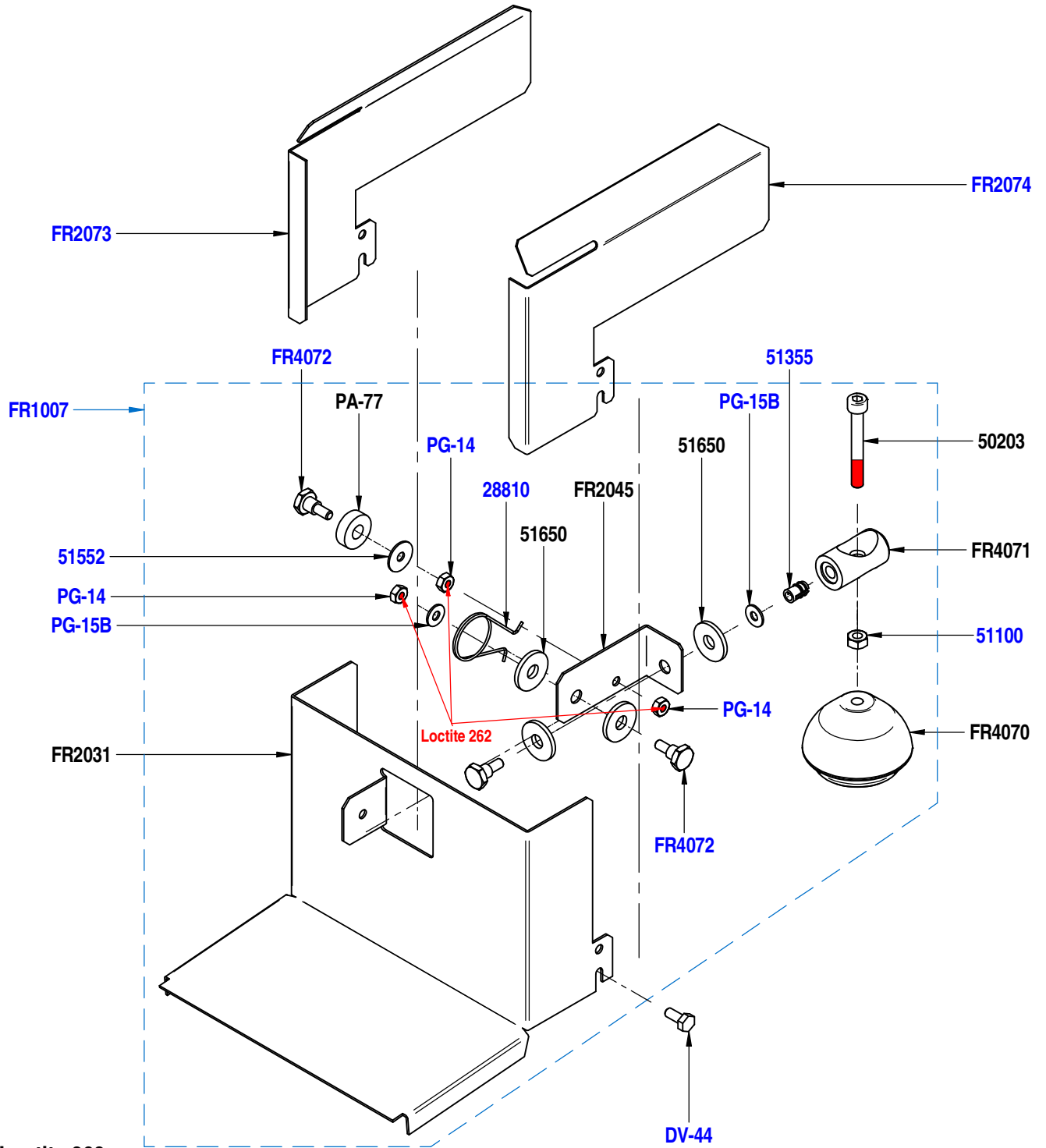
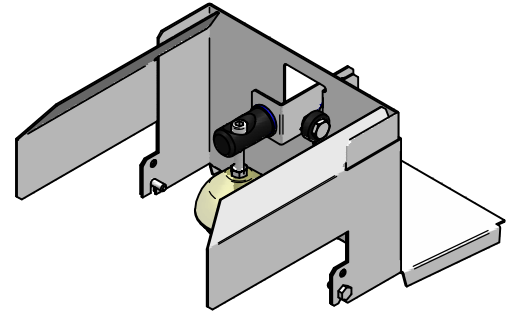
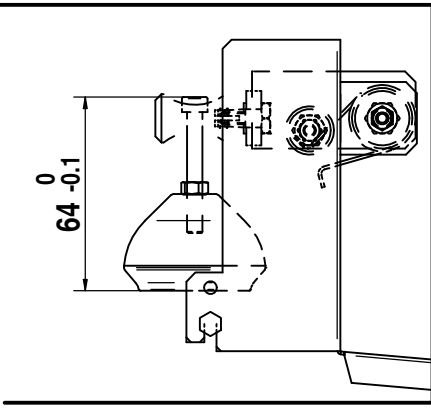
-  Loctite 542
-  Loctite 262
-  Thermal paste 84236

PLANCHE - PLATE 415

REF	ELUX	DESIGNATIONS FR	DESIGNATIONS GB
28810	0UN539	RESSORT NETTOYEUR	SPRING
50203	0UN273	VIS CHC M5 X 45 INOX	SCREW M5 X 40
51100	0UNA5V	ECROU M5 INOX	NUT M5
51355	0UN341	INSERT M4D LAITON L:9.5	INSERT M4
51552	0UN616	RONDELLE INOX 4.25x14x0.8	S..STEEL WASHER 4.25x14x0.8
51650	0UN297	RONDELLE 6 6.4x18x2 NYLON	WASHER DIAM. 6 NYLON
DV44	0UN188	VIS TH M4X10 ACIER	SCREW M4x10
FR1007	0UNA1D	ENSEMBLE BALANCIER	PENDULUM KIT
FR2031	0UN973	TOLE SUPPORT BALANCIER	CLEANING BALL HOLDER
FR2045	0UN609	EQUERRE SUPPORT NETTOYEUR	RIGHT ANGLE BRACKET
FR2073	0UNA7H	TOLE ANTIPLASH GAUCHE	ANTI SPLASH PLATE LEFT
FR2074	0UN692	TOLE ANTIPLASH DROITE	ANTI SPLASH PLATE RIGHT
FR4070	0UN916	BOULE NETTOYEUR	CLEANING BALL
FR4071	0UN487	AXE SUPPORT BOULE NETTOYEUR	CLEANING BALL AXLE
FR4072	0UN310	VIS EPAULEE M4	SCREW M4
PA77	0UN527	JOINT 6,5 x 16 x 5	GASKET 6,5 X 16 X 5
PG14	0UN277	ECROU M4	NUT M4
PG15B	0UNA3S	RONDELLE INOX 4.2X10X0.8	WASHER



 Loctite 262

PLANCHE - PLATE 420

REF	ELUX	DESIGNATIONS FR	DESIGNATIONS GB
23117	0UN134	GICLEUR DIAM:0,7	JET DIAM. 0.7
23751	0UN088	AXE DE BANJO 1/8	BANJO SCREW
23772	0UN480	CORPS DE BANJO GROUPE 1/4	BANJO BODY 1/4 FOR UNIT
23773	0UN153	SUPPORT GICLEUR	JET HOLDER
25400	0UN124	FILTRE INOX	FILTER
27910	0UN395	JOINT TORIQUE 3.53 X 53.37	GASKET
28104	0UN146	JOINT TORIQUE 2X9,5 FKM 80SH	GASKET 2X9,5
28502	0UN974	BUTEE PLATEAU	BASE DIA: 12
28503	0UN582	JOINT PLATEAU COMPLET	GASKET UNIT
29831	0UN032	CARTOUCHE CHAUFFANTE 200W-230V	HEATING ELEMENT 200W-230V
34210	0UN105	SECURITE THERMIQUE température 115°C	SAFETY THERMOSTAT 115°C
34410	0UN117	SONDE THERMOSTATIQUE	THERMOSTATIC PROBE
35025	0UN129	EV 3 VOIES 24V D1.2	EV 3 WAYS 24V D1.2
36500	0UN163	CAPTEUR A FOURCHE EFFET HALL	FORK SENSOR
50000	0UN174	VIS TCHC M3 X 10	SCREW M3 X 10
50414		VIS CHC M8 X 14	SCREW M8 X 14
50702	0UN243	VIS TOLE TC INOX N°6 X 6.4	SCREW
51300	0UN485	ECROU M12 X 125	NUT M12 X 125
51800	0UN459	RONDELLE 12 X 24 X 2 INOX	WASHER 12
52615	0UN530	COUSSINET XFM-1517-17	BEARING XFM 1517-15
52620	0UN533	PALIER LISSE XSM 1517-15	BEARING XSM 1517-15
53117	0UN517	BUTEE A BILLE 51102 d28xd15x9	THRUST BALL BEARING 28X15X16
CF194	0UN658	RONDELLE LAITON DE 5 MOYENNE	WASHER
CF335A	0UN926	VIS INOX STHC 8 X 25	SCREW M8x25 STAINLESS STEEL
CH16	0UN177	JOINT CUIVRE RECUIT 3/8	WASHER - COPPER - 3/8
CN108	0UN241	RONDELLE LAITON Z3	WASHER
CN325	0UN284	VIS INOX TC 4 x 6	SCREW M4 X 6
CN342	0UNA3L	RONDELLE EVENTAIL 3	WASHER 3
CN343	0UNA3M	RONDELLE EVENTAIL 4	WASHER 4
DO74	0UN416	RACCORD SOUPAPE HP	H.P VALVE CONNECTION
DV44	0UN188	VIS TH M4X10 ACIER	SCREW M4x10
E11		ECROU ACIER Hu de 8	NUT M8
FR1008	0UN572	ELECTROVANNE CAFE	COFFEE ELECTROVALVE
FR2021	0UNA7G	TOLE ENTRETOISE 2 mm	PLATE
FR2033	0UNA86	TOLE SUPPORT CAPTEUR PLATEAU	SENSOR HOLDER
FR2034	0UNA7K	DEFLECTEUR EJECTION	EJECTION PLATE
FR2082	0UNA9D	TOLE POSITION PLATEAU LARGE	WIDE TURNABLE TOP PLATE
FR4000	0UN319	CORPS DE GROUPE	UNIT BODY
FR4002	0UN434	PLATEAU INOX	STAINLESS STEEL TURNTABLE
FR4011	0UNBLZ	AXE PLATEAU	TURNABLE AXLE
FR4012	0UN479	ECROU A TETONS	BREAST NUT
FR4013	0UN455	BAGUE DE BLOCAGE	BLOCKING RING
FR4019	0UN469	PROTECTION BUTEE A BILLE	BEARING COVER
FR4029	0UN468	ENTRETOISE M8	SCREW M8
FR4030	0UN100	VIS TH M8 X 20 L 180	SCREW M8 X 20 L:180
FR4092	0UN953	JOINT OBTURAPTEUR PISTON	GASKET
FR7000	0UN214	PLATEAU PLASTIQUE	PLASTIC TURNTABLE
PB21	0UN488	ECROU 3/8 LAITON	FITTING 3/8
PG13	0UN256	VIS TC M3x10	SCREW M3 X 10
PG15B	0UNA3S	RONDELLE INOX 4.2X10X0.8	WASHER
PG49	0UNA45	ECROU INOX Hu DE 3	NUT M3
PH77	0UN097	JOINT TORIQUE 18.72 x 2.62	O-RING 18.72 X 2,62
R100	0UN228	RACCORD LAITON	FITTING
R100A	0UN699	RACCORD LAITON SP	FITTING SP
RR83	0UN592	RONDELLE GROVER DE 8	WASHER 8
TC80	0UN211	JOINT TORIQUE 1,78X2,90 FKM	GASKET 1.78X2.90 FKM

- Loctite 222
- Loctite 262
- Loctite 542
- Loctite 601
- Thermal paste 84236
- Graisse 84230

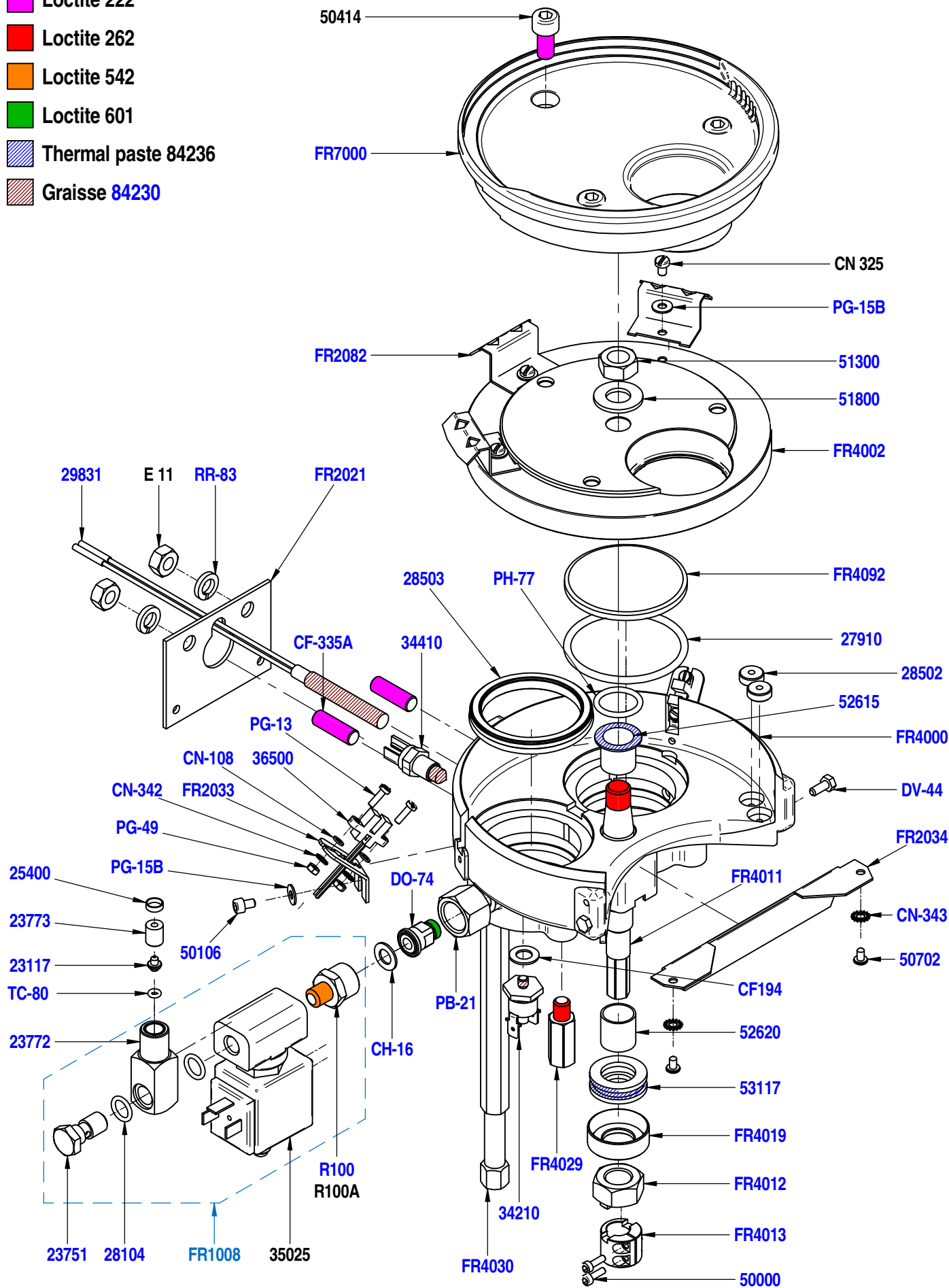








PLANCHE - PLATE 425

REF	ELUX	DESIGNATIONS FR	DESIGNATIONS GB
27820	0UN496	JOINT TORIQUE 2,62 X 47.29 EPDM	GASKET 2.62 X 47.29 EPDM
28500	0UN552	JOINT A LEVRE PISTON Ø37.5	GASKET Ø 37.5
28510	0UN308	JOINT PLAT DE SORTIE CAFE	FLAT GASKET
28820	0UN913	RESSORT ACIER d19.20 X L40 Df:3.2	SPRING Do:19.20 X df:3.2 Lo:40
33419	0UN990	FILTRE CAFE 24 - 180 STANDARD	COFFEE FILTER 24 -180 STANDARD
33447	0UNA1F	FILTRE CAFE 1 TASSE 24 FENTES SELF	COFFEE FILTER 1 CUP 24 SLOTS SELF
33448	0UN139	FILTRE CAFE 48 FENTES EXPORT	COFFEE FILTER 48 SLOTS EXPORT
36501	0UN111	CAPTEUR Ø16	SENSOR Ø16
37305	0UN516	MOTOREDUCTEUR 24V 500tr/mn	MOTOREDUCER 24V 500 rpm
51250	0UN958	ECROU M10 X 75	NUT M10 X 75
51751	0UN450	RONDELLE 10.2 X 20 X 2	WASHER 10
51800	0UN459	RONDELLE 12 X 24 X 2 INOX	WASHER 12
52610	0UN505	COUSSINET XFM 10-12-9	BEARING 10-12-9
52812	0UN581	ANNEAU DIAM 12 EP 0,6	RING DIAM 12 EP 0,6
53110	0UN340	BUTEE A BILLE 51100 d24xd10x9	THRUST BALL BEARING 24X10X9
CN128	0UNA7E	VIS INOX TF M4 X 8	SCREW M4 X 8
CN30	0UN685	VIS INOX TC 3 x 16	SCREW M3 X 16
CN306	0UN997	VIS INOX TCHC 3 x 8	SCREW M3 X 8
CN489	0UNA09	VIS INOX CHC 4 x 16	SCREW M4 X 16
37219		COLLIER POUR POMPE FLUIDOTECH	CLAMP
DO54	0UNA1A	AIMANT DIAM 3 L:10mm	MAGNET DIA:3 L:10mm
FR1010	0UN020	ENSEMBLE PISTON SANS MOTEUR	PISTON ASSEMBLY WITHOUT MOTOR
FR1011	0UN110	ENSEMBLE MOTEUR PISTON	PISTON MOTOR ASSEMBLY
FR2028	0UNA9F	TOLE BRIDE	SENSOR HOLDER
FR2030	0UNA9E	ROUE CODEUSE ACIER ZINGUE	CODING WHEEL
FR4017	0UN484	ENTRETOISE DE CLAVETTE	COTTER SPACER
FR4018	0UN246	CLAVETTE AUTOLUBRIFIANTE	SELF-LUBRICATING COTTER
FR4020	0UN290	SUPPORT MOTEUR	MOTOR HOLDER
FR4021	0UN547	CHEMISE	INFUSION CHAMBER
FR4023	0UN583	AXE DU PISTON	PISTON AXLE
FR4025	0UN463	SORTIE CAFE	COFFEE OUTLET SCREW
FR4027	0UN281	ECROU Tr 12 X 3	NUT TR 12 X 3
FR4028	0UN512	COLERETTE DE FIXATION	PLASTING RING
FR4031	0UN506	BUTEE PLASTIQUE	THRUST
FR4032	0UN521	VIS TETON M8 X 100	SCREW M8 X 100
FR4122	0UN317	PISTON	PISTON
FR4123	0UN293	RONDELLE SUPPORT JOINT	WASHER HOLDER GASKET
FR4124	0UN411	RONDELLE SORTIE CAFE	COFFEE OUTLET RING
FR4126	0UN410	PIECE SUPERIEURE	UPPER PART
FR4127	0UN332	JOINT HARICOT	FLAT SEAL
FR4134	0UN300	BAGUE PTFE	RING PTFE
FR6520	0UN024	TUBE CAFE lg 238 mm	COFFEE PIPE length 238 mm
PE66	0UN452	VIS TC M5 X 16 INOX	SCREW M5 X 16
TC80	0UN211	JOINT TORIQUE 1,78X2,90 FKM	GASKET 1.78X2.90 FKM

-  Thermal paste 84236
-  Graisse 8104
-  Loctite 222
-  Loctite 262
-  Loctite 542
-  Loctite 5366

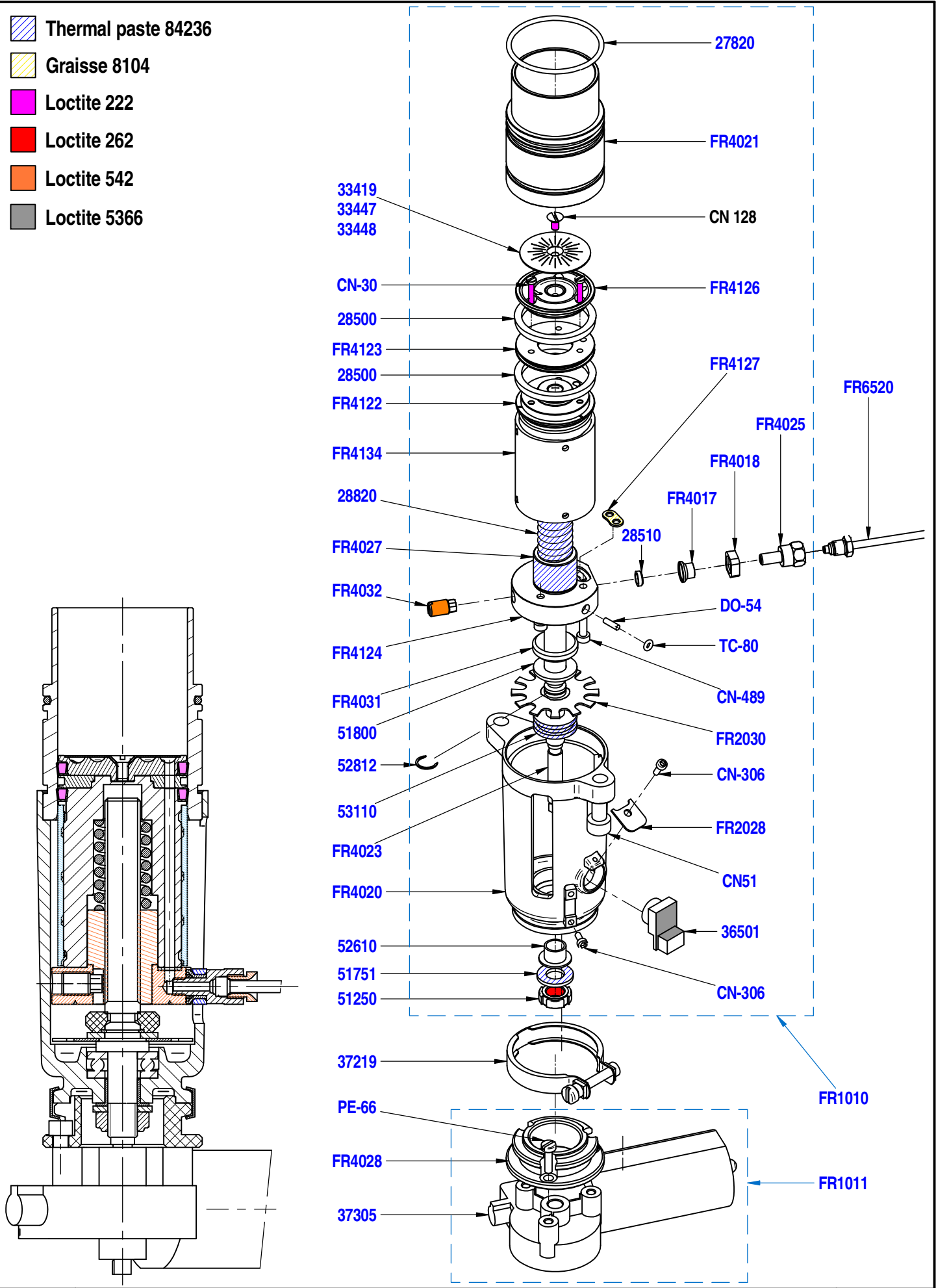
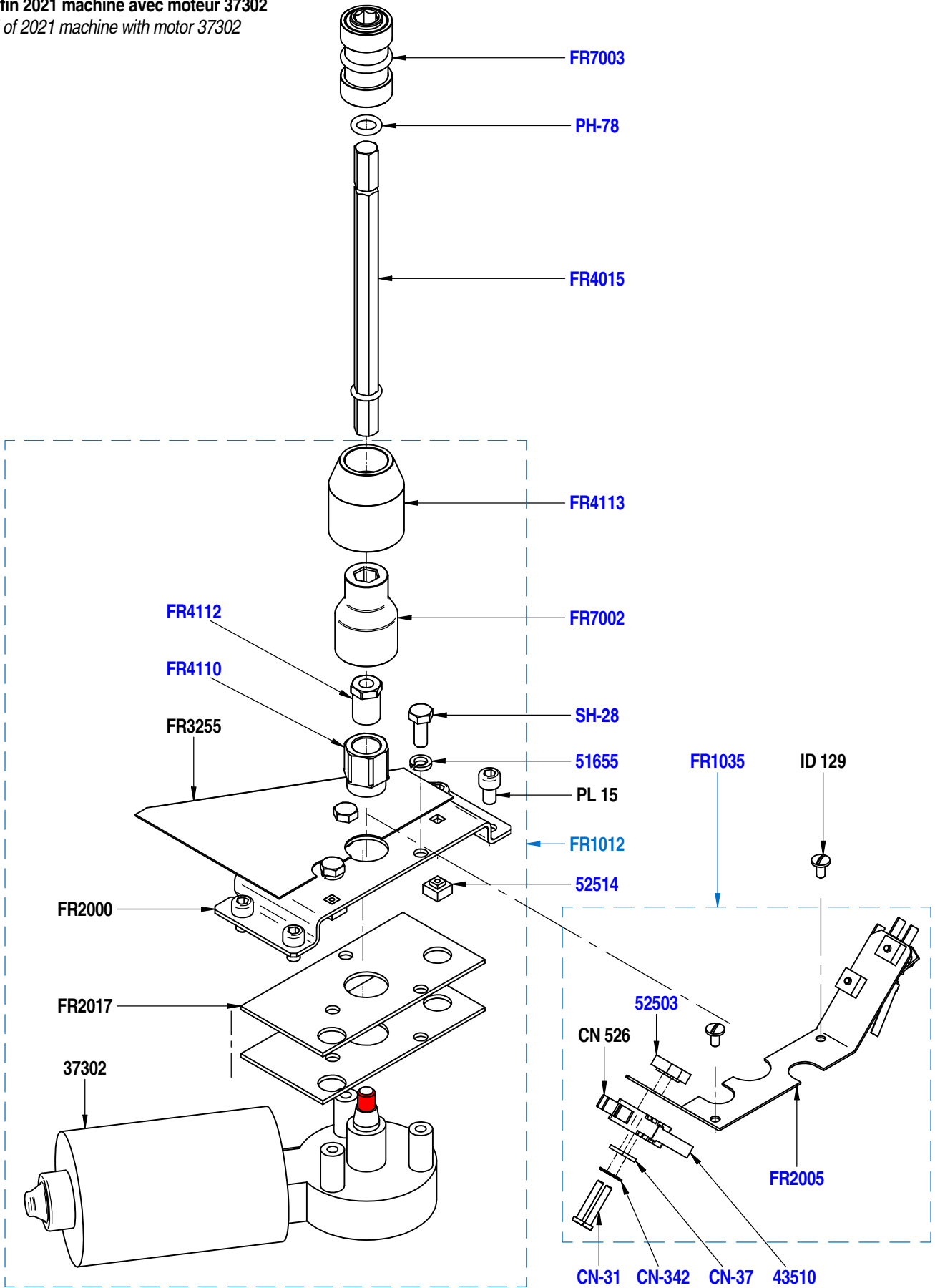


PLANCHE - PLATE 430

REF	ELUX	DESIGNATIONS FR	DESIGNATIONS GB
37302	0UN511	MOTOREDUCTEUR MFD351 (avec câbles)	<i>MOTOREDUCER 24V MFD351 (with wires)</i>
43510	0UN081	LEVIER PLAT MICRORUPTEUR	<i>LEVER FOR MICROSWITCH</i>
51655	0UNA5W	RONDELLE GROWER DE 6	<i>WASHER 6</i>
52503		ECROU EN CAGE M3 pour ep 1	<i>NUT M3</i>
52514	0UN037	ECROU RAPIDE M4 EP:2	<i>NUT M4</i>
CN31	0UNA3Q	VIS TC M3 X 20 INOX	<i>SCREW M3 X 20</i>
CN342	0UNA3L	RONDELLE EVENTAIL 3	<i>WASHER 3</i>
CN37		PATTE INOX FIXATION MINIRUPT.	<i>MICROSWITCH HOLDING BAR</i>
CN526	0UN021	MINIRUPTEUR SECU EAU MARRON	<i>WATER SAFETY MINI SWITCH</i>
FR1012	0UN401	ENSEMBLE MOTEUR PLATEAU	<i>TURNTABLE MOTOR ASSEMBLY</i>
FR1035	0UN909	SECURITE BAC A MARC	<i>DRAWER SAFETY</i>
FR2000	0UNA1P	TOLE SUPPORT MOTEUR	<i>MOTOR HOLDER</i>
FR2005	0UNA5A	SUPPORT SECURITE BAC A MARC	<i>DRAWER SAFETY HOLDER</i>
FR2017	0UNA7U	TOLE ENTRETOISE MOTEUR MFD351	<i>STIFFENER STHEETMETAL</i>
FR3255	0UNA7C	TOLE PROTECTION MOTEUR	<i>MOTOR PROTECTION</i>
FR4015	0UN534	AXE DE TRANSMISSION APRES 04/02	<i>AXLE AFTER 04/2002</i>
FR4110	0UN325	ACCOUPEMENT MOTEUR MFD351	<i>MOTOREDUCER GANGING</i>
FR4112	0UN385	ECROU ACCOUPLEMENT MOTEUR	<i>MOTOREDUCER GANGING NUT</i>
FR4113	0UN549	RENFORT ALU ACCOUPLEMENT	<i>REINFORCE COUPLING STAINLESS</i>
FR7002	0UN532	DOUILLE POUR MOTEUR MFD351	<i>MOTOREDUCER RING</i>
FR7003	0UN943	DOUILLE ACCOUPLEMENT RENFORCEE	<i>REINFORCING GANGING COUPLING</i>
ID129	0UNA5Z	VIS INOX POELIER VM 4 X 8	<i>SCREW 4 X 8</i>
PH78	0UN202	JOINT TORIQUE 2,62X9,13 EPDM	<i>O RING - 9,13 X 2,62</i>
PL15	0UN939	VIS TCHC M6x10 INOX	<i>SCREW M6 X 10</i>
SH28		VIS TH M6 X 16	<i>SCREW M6 X 16</i>

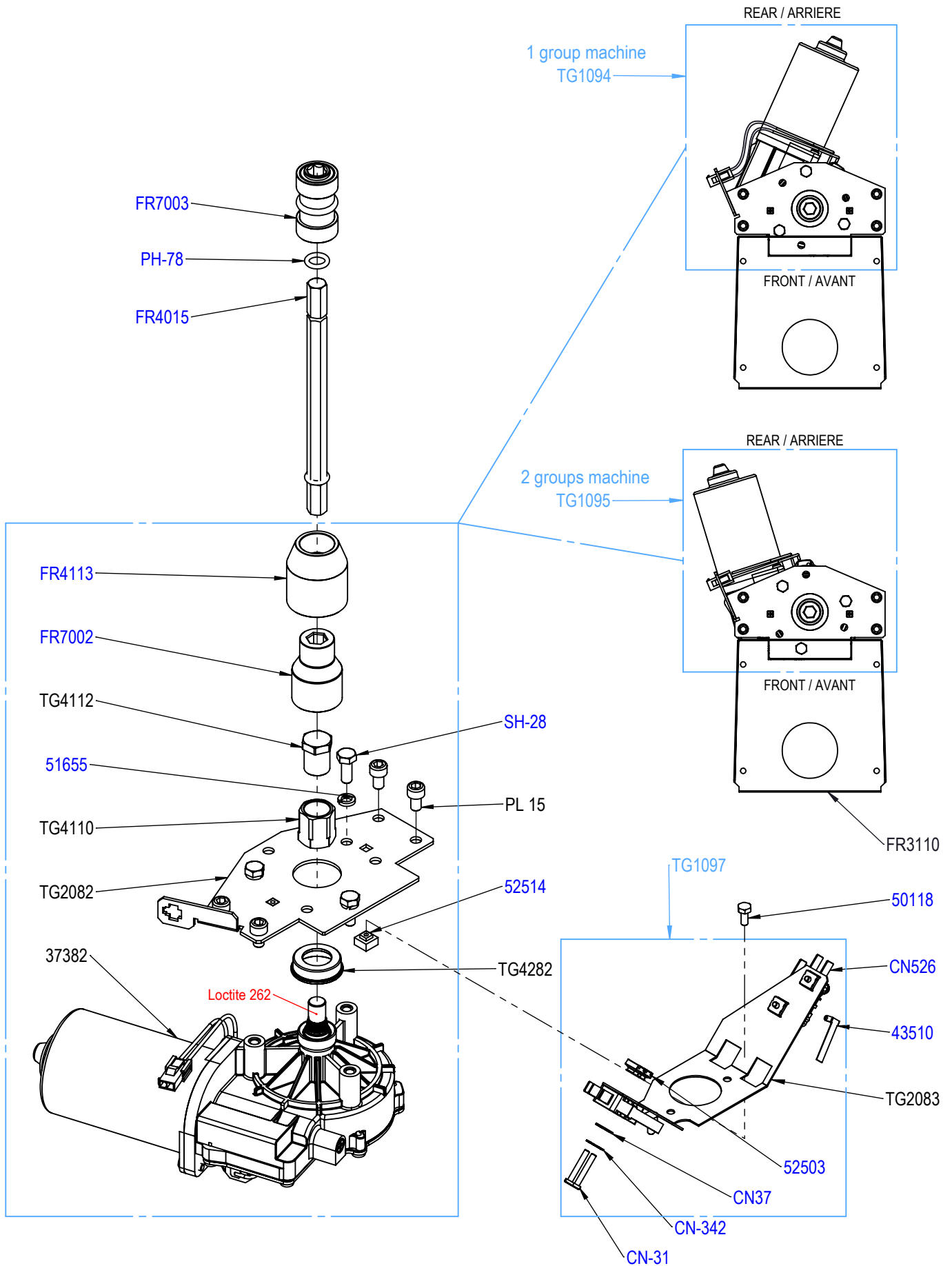
Jusqu'à fin 2021 machine avec moteur 37302
 Until end of 2021 machine with motor 37302



 Loctite 262

PLANCHE - PLATE 431

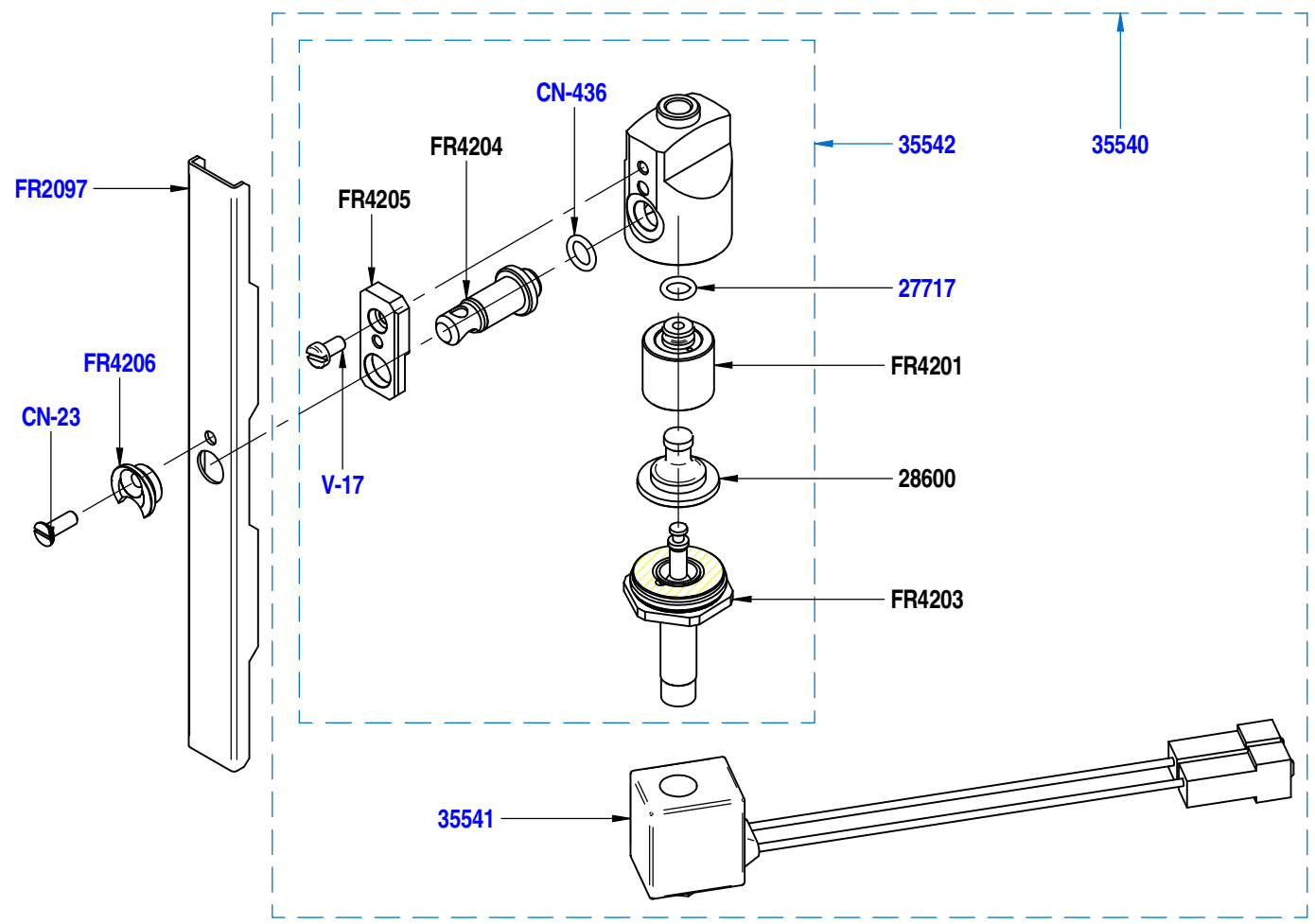
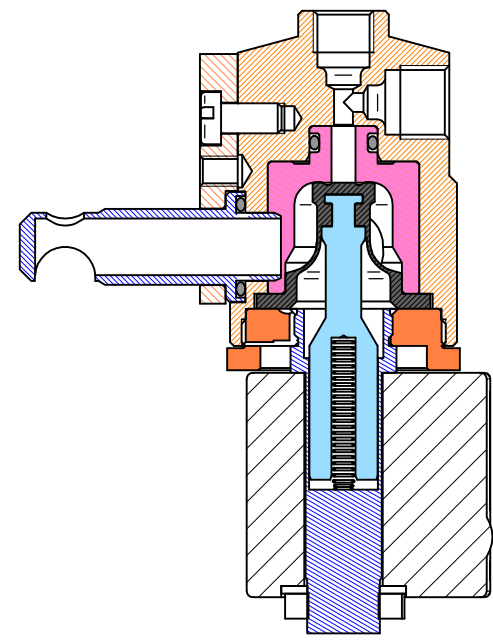
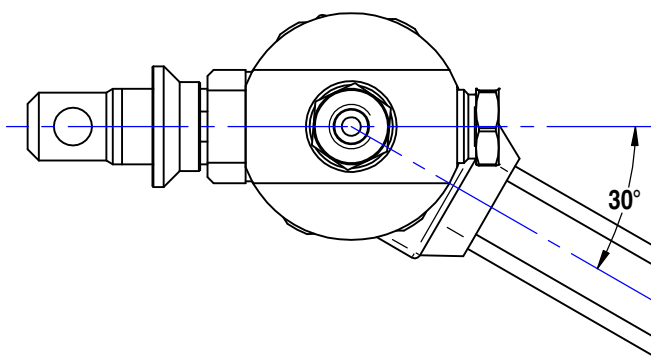
REF	ELUX	DESIGNATIONS FR	DESIGNATIONS GB
37382		MOTOREDUCTEUR 406028	MOTOREDUCER
43510	0UN081	LEVIER PLAT MICRORUPTEUR	LEVER FOR MICROSWITCH
50118	0UNA64	VIS TH M4X10 INOX	S.STEEL SCREW M4X10
51655	0UNA5W	RONDELLE GROWER DE 6	WASHER 6
52514	0UN037	ECROU RAPIDE M4 EP:2	NUT M4
52503		ECROU EN CAGE M3 pour ep 1	NUT M3
CN31	0UNA3Q	VIS TC M3 X 20 INOX	SCREW M3 X 20
CN342	0UNA3L	RONDELLE EVENTAIL 3	WASHER 3
CN37		PATTE INOX FIXATION MINIRUPT.	MICROSWITCH HOLDING BAR
CN526	0UN021	MINIRUPTEUR SECU EAU MARRON	WATER SAFETY MINI SWITCH
FR3110		TOLE CENTRALE INOX	CENTER SHEET METAL
FR4015	0UN534	AXE DE TRANSMISSION APRES 04/02	AXLE AFTER 04/2002
FR4113	0UN549	RENFORT ALU ACCOUPLEMENT	REINFORCE COUPLING STAINLESS
FR7002	0UN532	DOUILLE POUR MOTEUR MFD351	MOTOREDUCER RING
FR7003	0UN943	DOUILLE ACCOUPLEMENT RENFORCEE	REINFORCING GANGING COUPLING
PH78	0UN202	JOINT TORIQUE 2,62X9,13 EPDM	O RING - 9,13 X 2,62
PL15	0UN939	VIS TCHC M6x10 INOX	SCREW M6 X 10
SH28		VIS TH M6 X 16	SCREW M6 X 16
TG1094		ASM MOTEUR 37382 PLATEAU SOLO	TURNTABLE MOTOR ASSEMBLY
TG1095		ASM MOTEUR 37382 PLATEAU DUO	TURNTABLE MOTOR ASSEMBLY
TG1097		SECU BAC A MARC MOTEUR 37382	DRAWER SAFETY ASSEMBLY
TG2082		TOLE SUPPORT MOTEUR 37382	37382 MOTOR HOLDER
TG2083		TOLE SECURITE BAC A MARC	WASTE DRAWER SAFETY
TG4110		ACCOUPLEMENT MOTEUR 37382	MOTOR COUPLING 37382
TG4112		ECROU ACCOUPLEMENT MOTEUR 37382	MOTOR COUPLING NUT 37382
TG4282		ENTRETOISE MAINTIEN JOINT D'AXE	MAINTENANCE SPACER



Depuis début 2022 machine avec moteur 37382
 From beginning of 2022 machine with motor 37382

PLANCHE - PLATE 435

REF	ELUX	DESIGNATIONS FR	DESIGNATIONS GB
27717	0UNBFW	JOINT TORIQUE 1,78 X 6,07	GASKET 1.78 X 6.07
28600	0UN316	MEMBRANE POUR ELECTROVANNE	MEMBRANE FOR ELECTROVALVE
35540	0UN160	ELECTROVANNE DE BEC	SPOUT ELECTROVALVE
35541	0UN161	BOBINE 5W AVEC FILS SURMOULES	COILE 5W WITH COMPOUND-FILLED WIRES
35542	0UN162	ELECTROVANNE DE BEC SANS BOBINE	SPOUT ELECTROVALVE WITHOUT COIL
CN23	0UNA04	VIS INOX TF 4 x 12	SCREW M4X12 CSH
CN436	0UN145	JOINT TORIQUE 1,78X8,73 EPDM	GASKET 8,73 X 1,78
FR2097	0UNA7X	TOLE EN U	U SHEET
FR4201	0UN875	SIEGE ELECTROVANNE	ELECTROVALVE SEAT
FR4203	0UN336	FLASQUE ELECTROVANNE	ELECTROVALVE FLANGE
FR4206	0UN528	COULISSE ELECTROVANNE DE BEC	SOLENOID SLIDE
FR4204	0UN837	CONDUIT	CONDUIT
FR4205	0UN773	ENTRETOISE DE FIXATION	FIXING SPACER
V17	0UN544	VIS INOX TC 4 x 8	SCREW M4 X 8



 Graisse 8104

PLANCHE - PLATE 504

REF	ELUX	DESIGNATIONS FR	DESIGNATIONS GB
34202	0UN077	THERMOSTAT SECURITE 160C TRI UL	THERMOSTAT 160C UL
41422	0UN602	FLASQUE D'EXTREMITÉ	FLANGE TERMINAL BLOCK
42400	0UN312	ENTRETOISE PLASTIQUE FIX CARTE	PLASTIC PCB SUPPORT
43800	0UN087	CONTACTEUR TETRA. 220V 25A 50HZ	CONTACTOR 220V 25A 50Hz
43801	0UN578	CONTACTEUR TETRA. 200V 60HZ	CONTACTOR 200V 60HZ
44708	0UN427	Clé USB vierge	USB key
44709	0UN677	Clé USB programmée	Programmed USB key
44714	0UN515	PRISE USB	USB JACK
45381	0UN094	CARTE CPU	CPU CARD
45382	0UN098	CARTE DRIVER EV	ELECTROVALVE DRIVER CARD
45386	0UN173	CARTE ELECTRONIQUE MERE ACE	ELECTRONIC MAINBOARD
45943	0UN656	ETIQUETTE BORNIER TANGO ST	TERMINAL STICKER TANGO ST
50125	0UNA68	VIS TB CRUCIFORME A EMBASE M4 x 8	CRUCIFORM SCREW M4 x 8
50130	0UN681	COLONNETTE M-F M4X20	SPACER M-F M4X20
51053	0UN924	ECROU LONG M4	LONG NUT M4
53402	0UNA1C	BOUCHON PRISE USB	CAP FOR USB A JACK
AE50	0UN833	BORNIER GM GRIS	TERMINAL BLOCK GREY
AE51	0UN762	BORNIER GM BLEU	TERMINAL BLOCK BLUE
CN124	0UNA1R	VIS INOX TF 4 x 20	SCREW M4 X 20
CN343	0UNA3M	RONDELLE EVENTAIL 4	WASHER 4
CN628	0UN766	BARETTE DE JONCTION 2 PLOTS	2 STUDS STRIP
CN630	0UN644	BARETTE DE JONCTION 3 PLOTS	3 STUDS STRIP
CN651	0UN940	ENTRETOISE COURTE DU C.I.	SHORT SPACER FRAME
CN661	0UN184	ECROU CAGE M4, EP 1/1.6	INSERT NUT M4
DO195	0UNA1L	VIS ACIER INOX TC 4 X 12	SCREW M4 X 12
ED133		PRESSE ETOUPE NOIR	PACKING GLAND
ED134		CONTRE ECROU DE PRESSE ETOUPE	PACKING GLAND NUT
PE59	0UN201	VIS TCHC M4x10 INOX	SCREW 4 X 10
PG14	0UN277	ECROU M4	NUT M4
TG2051	0UN636	SUPPORT CARTE ELECTRONIQUE	ELECTRONIC BOARD HOLDER
TG2061	0UN720	SUPPORT BORNIER	TERMINAL BLOCK HOLDER

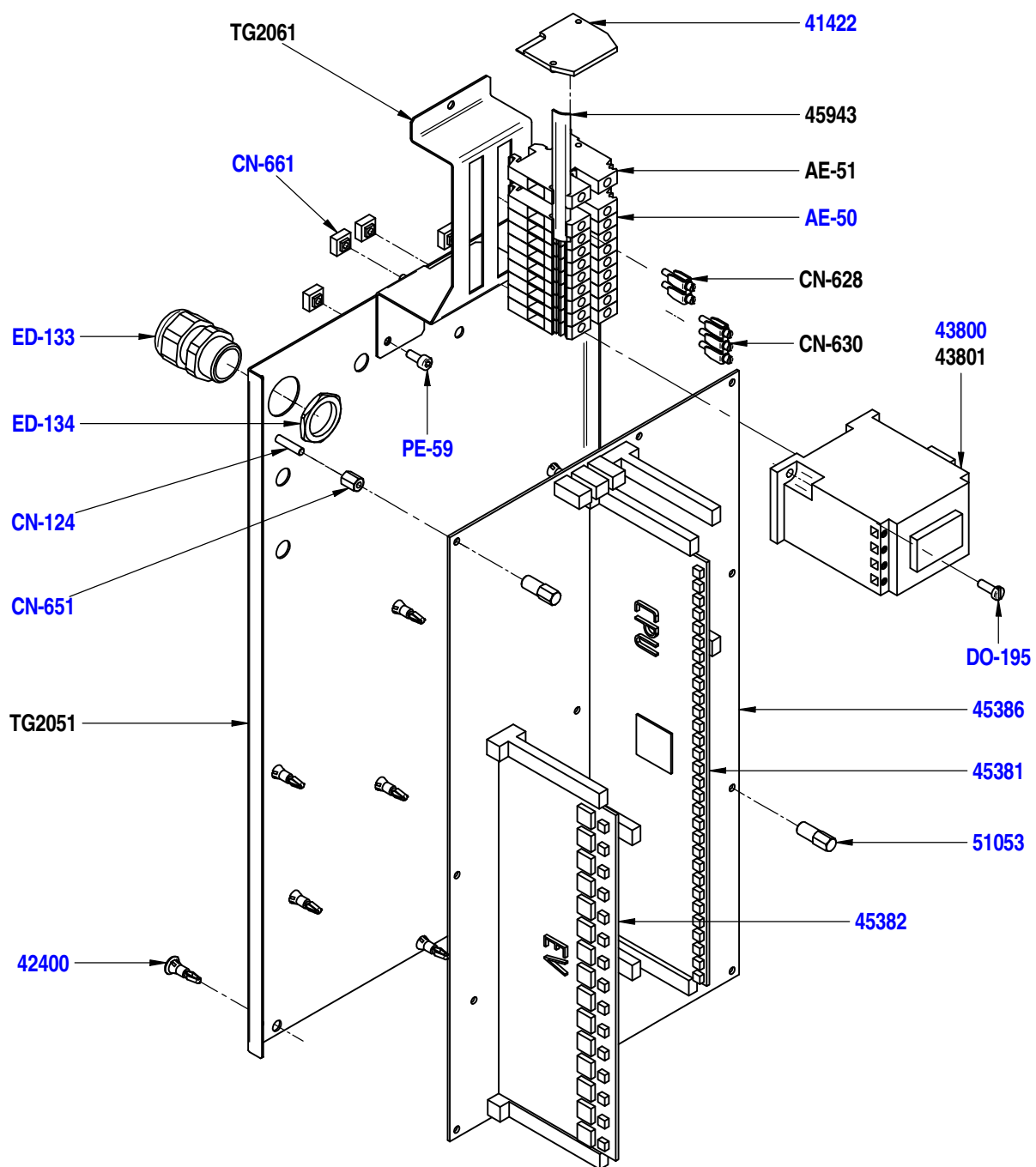
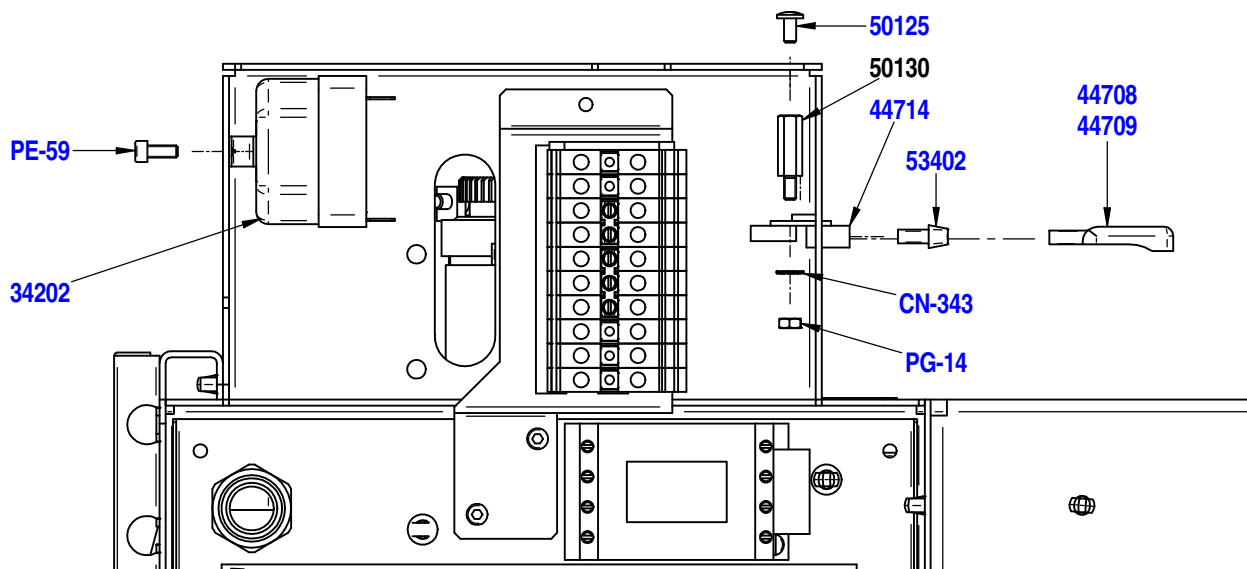
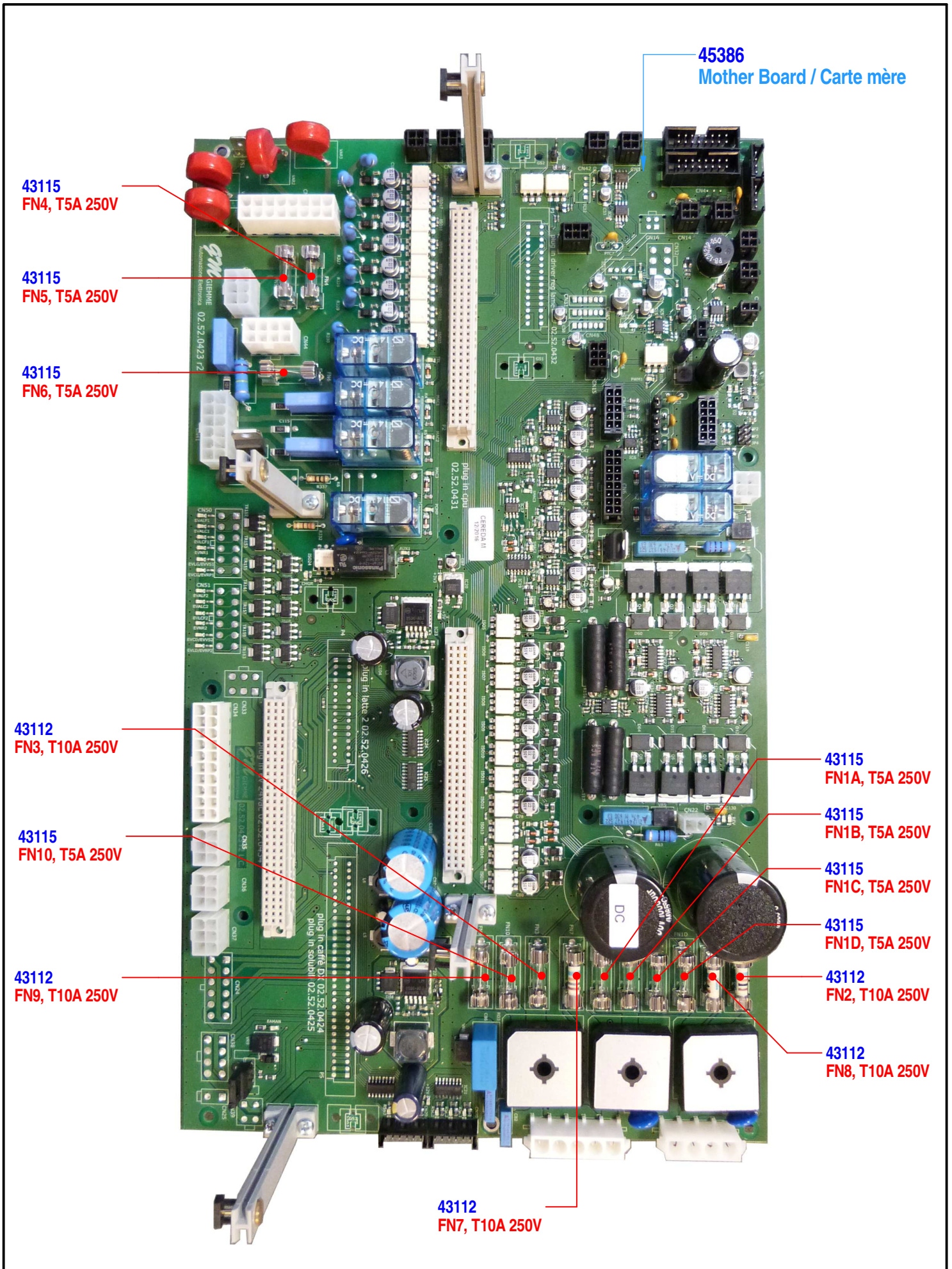


PLANCHE - PLATE 506

REF	ELUX	DESIGNATIONS FR	DESIGNATIONS GB
FN1A		5A / EV-AC1-A / MODULE 24V: EVRE - EVSE - EVSV - EVNC - EVNK/EVNC - EVA - EVV	
FN1B		5A / EV-AC1-B / MODULE SOLUBLE: MT1 - MT2 - FAN SOL - EVKD/EVM1 - EAED/EVM2 MODULE CAFE DX: EVKD/EVM1 - EAED/EVM2 - EVCD - EVP2 - EVLD - EVS2	
FN1C		5A / EV-AC1-C / MODULE 24V: EVNKG - EVAEG EVLG - EVCG - EVP1 - EVS1	
FN1D		5A / EV-AC1-D / MODULE 24V: EVAL1 - EVNL1 - EVVL1 - EVAL2 - EVNL2 - EVLL2	
FN2		10A / 22V / ALIM MOTEUR PISTON & PLATEAU	<i>PISTON & TURNTABLE MOTOR SUPPLY</i>
FN3		10A / 19V / +24V SECONDAIRE TRANSFO	<i>TRANSFO SECONDARY</i>
FN4		5A / TELERUPTEUR	<i>STEPPING SWITCH</i>
FN5		5A / NEUTRE	<i>NEUTRAL</i>
FN6		5A / RELAIS / MAC1 - MAC2 - MAC3 - GET1 - GET2 - GET3 - POMPE - AUX1 - CHGR	
FN7		10A / +V PLATEAU / MOTEUR PLATEAU	<i>TURNTABLE MOTOR</i>
FN8		10A / +V PISTON / MOTEUR PISTON	<i>PISTON MOTOR</i>
FN9		10A / +24V	
FN10		5A / +12V, +9V, +5V, +3.3V BASSE TENSION CONTINUE ALIM CAPTEUR	
43112	0UN930	FUSIBLE 5 X 20 10A RETARDE T	<i>FUSE 10A DELAYED</i>
43115	0UN115	FUSIBLE 5 X 20 5A RETARDE T	<i>FUSE 5A DELAYED</i>



45386
Mother Board / Carte mère

43115
FN4, T5A 250V

43115
FN5, T5A 250V

43115
FN6, T5A 250V

43112
FN3, T10A 250V

43115
FN10, T5A 250V

43112
FN9, T10A 250V

43115
FN1A, T5A 250V

43115
FN1B, T5A 250V

43115
FN1C, T5A 250V

43115
FN1D, T5A 250V

43112
FN2, T10A 250V

43112
FN8, T10A 250V

43112
FN7, T10A 250V

09/21

FUSIBLES CARTE MERE ACE
MOTHERBOARD FUSES

506

PLANCHE - PLATE 510

REF	ELUX	DESIGNATIONS FR	DESIGNATIONS GB
41412	0UN676	POINTE	<i>PIN</i>
41413	0UN324	BARRETTE 8 POLES	<i>TERMINAL BOARD</i>
41414	0UN305	PROTECTION 8 POLES	<i>COVER</i>
44200	0UN360	TRANSFO TOROIDAL 540 Va / 200-230-240-22-19V	<i>TRANSFORMER 540Va / 200-230-240-22-19V</i>
44220	0UN126	TRANSFO TOROIDAL 300 Va / 200-230-240V	<i>TRANSFORMER 300Va / 200-230-240V</i>
44410	0UN169	RELAIS STATIQUE 25A	<i>SOLID STATE RELAY 25A</i>
CN343	0UNA3M	RONDELLE EVENTAIL 4	<i>WASHER 4</i>
CN489	0UNA09	VIS INOX CHC 4 x 16	<i>SCREW M4 X 16</i>
PE12	0UN430	ECROU M8	<i>NUT M8</i>
PE59	0UN201	VIS TCHC M4x10 INOX	<i>SCREW 4 X 10</i>
PG14	0UN277	ECROU M4	<i>NUT M4</i>
RO13	0UNA3U	VIS INOX TC 4 x 10	<i>SCREW M4 X 10 -</i>
RR83	0UN592	RONDELLE GROVER DE 8	<i>WASHER 8</i>
TG2055	0UN637	SUPPORT 3 RELAIS STATIQUES	<i>3 STATICS RELAYS HOLDER</i>

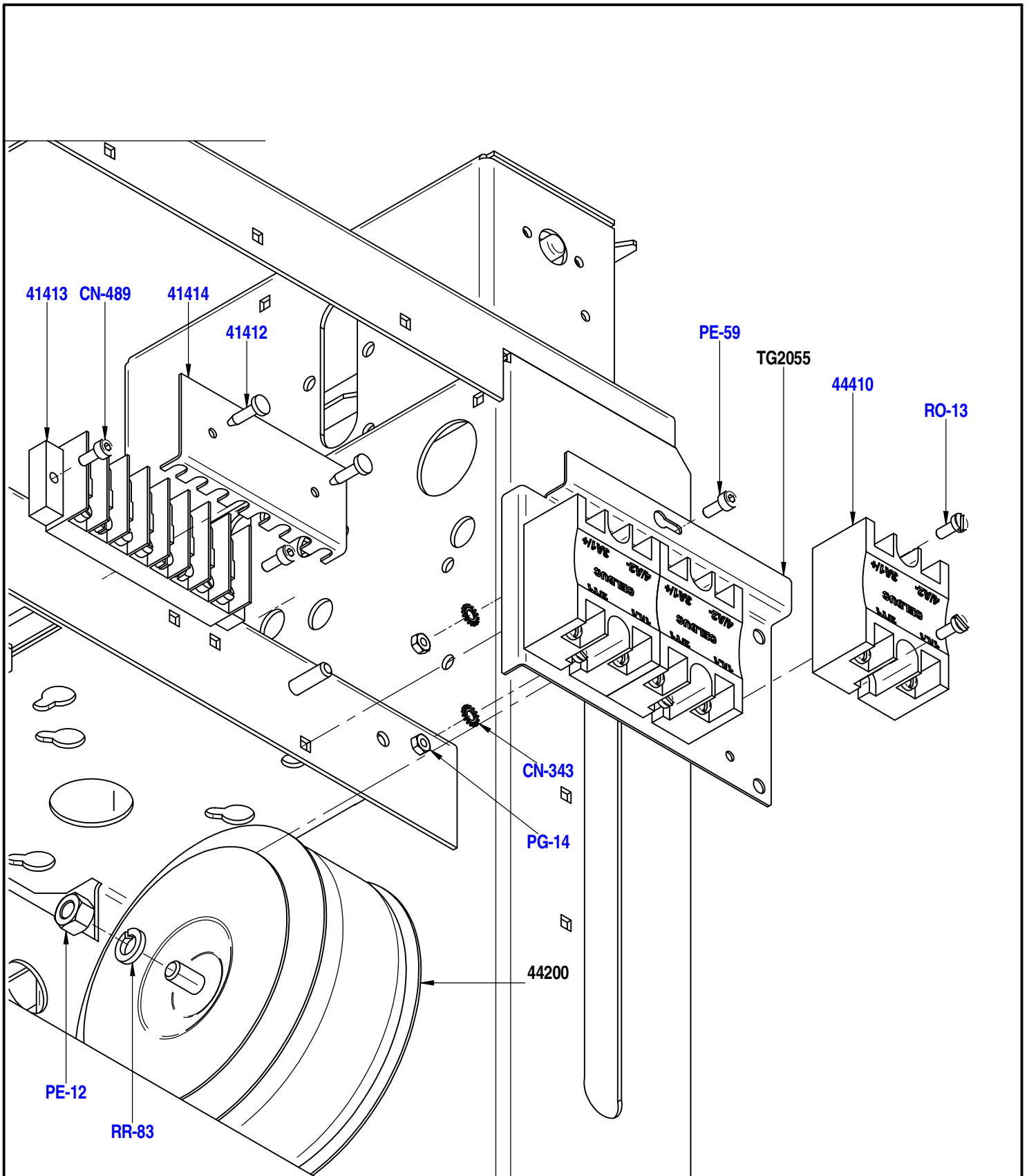


PLANCHE - PLATE 505

ELUX	DESIGNATIONS FR	DESIGNATIONS GB
CN2	IO232	IO232
CN3	RS232	RS232
CN4	RS232	RS232
CN5	RS232 CONSOLE DEBUG	RS232 DEBUG CONSOLE
CN6	PRESENCE CAFE (TREMIE)	COFFEE PRESENCE (HOPPER)
CN7	CAPTEUR PRESSION EAU-VAPEUR	WATER-STEAM PRESSURE SENSOR
CN8	CAPTEUR EFFET HALL	EFFET HALL SENSOR
CN9	SECURITE ENTREE D'EAU	NO WATER SAFETY
CN12	COMPTEUR VOLUMETRIQUE D-G & EAU CHAUDE	DOSING DEVICE RIGHT-LEFT & HOT WATER
CN14	CAPTEUR GROUPE D & EFFET HALL BAS	GROUP RIGHT & EFFET HALL LOW SENSOR
CN15	CAPTEUR PISTON	PISTON SENSOR
CN17	SONDE LAIT / CHAUDIERE THERM.VAP. / GR. CAFE	MILK PROBE / COFFEE GR. / STEAM THERM. BOILER
CN19	STEAMAIR	STEAMAIR
CN20	SWITCH BAC A MARC	SWITCH DRAWER
CN21	TRANSFORMATEUR TOROIDAL	TOROIDAL TRANSFORMER
CN22	MOTEUR PLATEAU	TURNTABLE MOTOR
CN23	MOTEURS PISTONS	PISTONS MOTORS
CN29	RELAIS STATIQUES / CHAUDIERE VAPEUR	STATIC RELAY / STEAM BOILER
CN30	RELAIS STATIQUES / CHAUDIERE CAFE	STATIC RELAY / COFFEE BOILER
CN34	ELECTROVANNES 24Vac	24Vac ELECTROVALVES
CN35	ELECTROVANNES CAPPUCCINO GAUCHE	LEFT CAPPUCCINO ELECTROVALVES
CN36	ELECTROVANNES 24Vac / LAIT 1	24Vac / MILK 1 ELECTROVALVES
CN41	POMPE / MOULINS / CARTOUCHE / GROUPE	PUMP / GRINDERS / CARTRIDGE / GROUP
CN43	SECURITE MACHINE FILTRAGE	FILTERING MACHINE SAFETY
CN44	TELERUPTEUR	STEPPING SWITCH
CN47	SECURITE CAFE-VAPEUR / GROUPE (OPTO)	COFFEE-STEAM SAFETY / GROUP (OPTO)
*	Nota: références des câbles planche 550	Nota: electrical wires references plate 550

Nota :

Si Carte mère R1 & R2 avec les câbles TG8081 & TG8082 ne pas brancher CN47 / If motherboard R1 & R2 with wire TG8081 & TG8082 leave CN47 free

REF	DESIGNATION FR	DESIGNATION GB	CONNECTEUR	NB PINS	TENSION	QUANTITE		
						SOLO	DUO	FRIGO
FR8029	CELLULES OPTIQUES AVEC CONNECTEUR	PHOTO CELL SENSORS	CN6	16	BASSE	1		
TG8041	CABLE CMD EV,POMPE FRIGO PARTIE 1	EV, FRIDGE PUMP 1ST PART WIRE	CN32	6	BASSE			1
			CN36	6				
			CN50	12				
TG8042	CABLE CMD EV,POMPE FRIGO PARTIE 2	EV, FRIDGE PUMP 2ND PART WIRE			BASSE			1
TG8081	CABLE BLEU CONN. BOBINE ET CONTACT	COIL CONNECTION BLUE CABLE			HAUTE	✓		
	CABLE RALLONGE EV SV EV	EXTENTION WIRE EV SV EV			BASSE	✓		
	CABLE LED RGB L520	RGB LED L520 WIRE	CN26	4	BASSE	✓		
	CABLE LED RGB L1200	RGB LED L1200 WIRE	CN27	4	BASSE	✓		
	CABLE LIAISON USB	USB LINK WIRE	CN2	4	BASSE	✓		
	RS 232 ECRAN TFT GAUCHE	LEFT DISPLAY WIRE	CN3	16	BASSE	✓		
	CABLE ADAPTATEUR MOTEUR PLATEAU	TURNABLE MOTOR ADAPTOR WIRE	CN22	2	BASSE	✓		
	CABLE CHAUDIERE VAPEUR & RESEAU	STEAM BOILER & WATER SYSTEM WIRE	CN7	10	BASSE	✓		
	CABLE SONDES THERMO. & NIVEAUX	PROBES WIRE	CN17	10	BASSE	✓		
			CN26	4				
			CN27	4				
	CABLE SECURITE BAC A MARC	DRAWER SAFETY WIRE	CN20	4	BASSE	✓		
	CABLE TRAPPE, PIST. COD. SECU. CTRL MOTEUR	HATCH, PIST. COD. SAFE. MOTOR WIRE	CN8	4	BASSE	✓		
			CN9	4				
			CN12	6				
			CN15	6				
			CN23	4				
	CN25	2						
	CABLE CMD RELAIS STAT. CHAUD. VAP./CAFE	CTRL STAT. RELAY & STEAM/COFFEE BOIL. WIRE	CN29	6	BASSE	✓		
	CABLE CMD EVRE, EVSE ,EVSV,EVKG	EVRE, EVSE, EVSV, EVKG WIRE	CN34	20	BASSE	✓		
	CABLE EV CAPPUCCINO GAUCHE	LEFT CAPPUCCINO EV WIRE	CN35	6	BASSE	✓		
	CABLE CPU GND CALANDRE	CPU GND FRONT PANEL WIRE			TERRE	✓		
	CABLE MOULINS R,V,O,RES GR,RI,POMPE	GRINDER R,G,O,RES GR,RI,PUMP WIRE	CN41	12	HAUTE	✓		
CN44			8					
CN47			6					
CABLE CHAUDIERE CAFE	COFFEE BOILER WIRE			HAUTE				
CABLE GROUPE VAPEUR CAFE	STEAM/COFFEE GROUP WIRE			HAUTE	✓			
CABLE SORTIE CONTACTEUR	OUTPUT CONTACTOR WIRE			HAUTE	✓			
TG8082	CABLE BLEU CONN. BOBINE ET CONTACT	COIL CONNECTION BLUE CABLE			HAUTE		✓	
	CABLE RALLONGE EV SV EV	EXTENTION WIRE EV SV EV			BASSE		✓	
	CABLE LED RGB L520	RGB LED L520 WIRE	CN26	4	BASSE	✓		
	CABLE LED RGB L1200	RGB LED L1200 WIRE	CN27	4	BASSE	✓		
	CABLE LIAISON USB	USB LINK WIRE	CN2	4	BASSE		✓	
	RS 232 ECRAN TFT GAUCHE	LEFT DISPLAY WIRE	CN3	16	BASSE		✓	
	RS 232 ECRAN TFT DROIT	RIGHT DISPLAY WIRE	CN4	16	BASSE		✓	
	CABLE ADAPTATEUR MOTEUR PLATEAU	TURNABLE MOTOR ADAPTOR WIRE	CN22	2	BASSE		✓	
	CABLE CHAUDIERE VAPEUR & RESEAU	STEAM BOILER & WATER SYSTEM WIRE	CN7	10	BASSE		✓	
	CABLE SONDES THERMO. & NIVEAUX	PROBES WIRE	CN17	10	BASSE			✓
			CN26	4				
			CN27	4				
	CABLE COMMANDES DROITE	RIGHT CONTROL WIRE	CN14	4	BASSE			✓
			CN38	8				
			CN39	4				
	CABLE SECURITE BAC A MARC	DRAWER SAFETY WIRE	CN20	4	BASSE		✓	
	CABLE TRAPPE, PIST. COD. SECU. CTRL MOTEUR	HATCH, PIST. COD. SAFE. MOTOR WIRE	CN8	4	BASSE			✓
			CN9	4				
			CN12	6				
			CN15	6				
			CN23	4				
	CN25	2						
	CABLE CMD RELAIS STAT. CHAUD. VAP./CAFE	CTRL STAT. RELAY & STEAM/COFFEE BOIL. WIRE	CN29	6	BASSE		✓	
CABLE CMD RELAIS STAT. CHAUD. VAP.	CTRL STAT. RELAY & STEAM BOIL. WIRE	CN30	6	BASSE		✓		
CABLE CMD EVRE, EVSE ,EVSV,EVKG	EVRE, EVSE, EVSV, EVKG WIRE	CN34	20	BASSE		✓		
CABLE EV CAPPUCCINO GAUCHE	LEFT CAPPUCCINO EV WIRE	CN35	6	BASSE		✓		
CABLE CPU GND CALANDRE	CPU GND FRONT PANEL WIRE			TERRE		✓		
CABLE MOULINS R,V,O,RES GR,RI,POMPE	GRINDER R,G,O,RES GR,RI,PUMP WIRE	CN41	12	HAUTE			✓	
		CN44	8					
		CN47	6					
CABLE CHAUDIERE CAFE	COFFEE BOILER WIRE			HAUTE		✓		
CABLE GROUPE VAPEUR CAFE	STEAM/COFFEE GROUP WIRE			HAUTE		✓		
CABLE PONTAGE RELAIS STATIQUES	STATIC RELAY JUMPER WIRE			HAUTE		✓		
CABLE SORTIE CONTACTEUR	OUTPUT CONTACTOR WIRE			HAUTE		✓		
TG8100	CABLE INTER, AFFICHEUR T°C REG C- F	DISPLAY T°C, COLD-HOT, SWITCH WIRE			HAUTE			1
TG8101	CABLE ALIMENTATION	ALIMENTATION WIRE			HAUTE			1

PLANCHE - PLATE 608

REF	ELUX	DESIGNATIONS FR	DESIGNATIONS GB
45039	0UN238	AFFICHEUR DE TEMPERATURE	<i>T° DISPLAY</i>
54224	0UN381	BAC A LAIT 4L + COUVERCLE	<i>4 LITERS MILK CONTAINER</i>
93028		VENTILATEUR POUR FRIGO	<i>FAN FOR FRIDGE</i>
93029		SERRURE ET 2 CLES	<i>LOCK WITH 2 KEYS</i>
93036		FRIGO VITRIFRIGO 4 LITRES + AFFICHEUR	<i>VITRIFRIGO 4 LITERS + DISPLAY</i>
93044		JOINT DE PORTE FG10I	<i>SEAL DOOR</i>

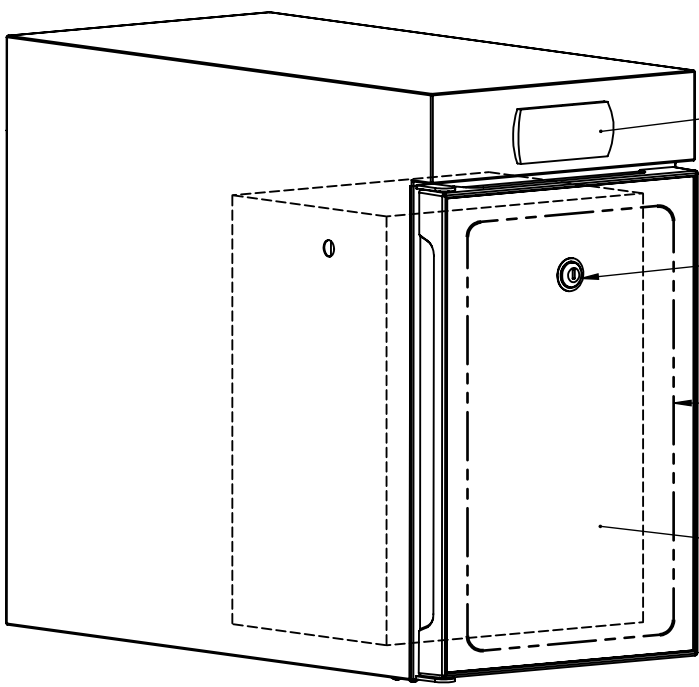
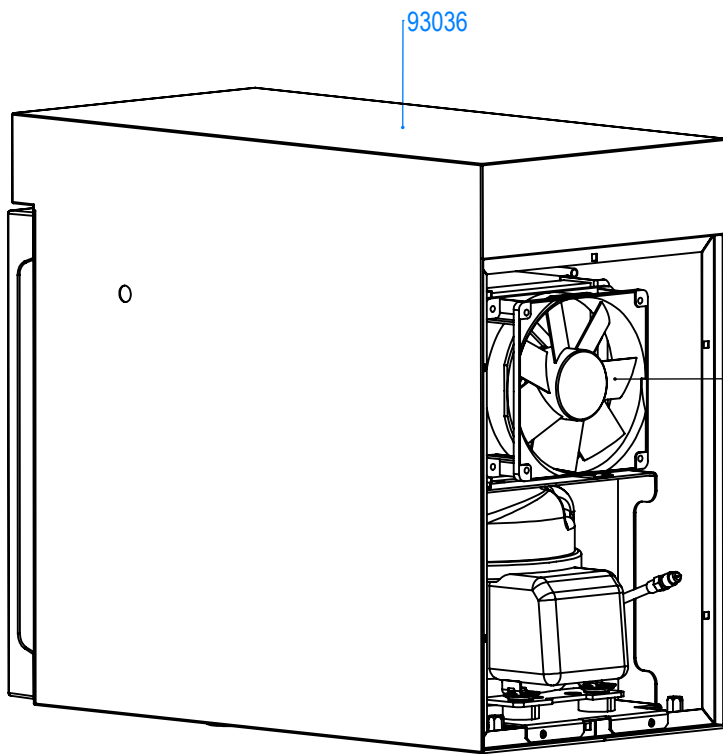
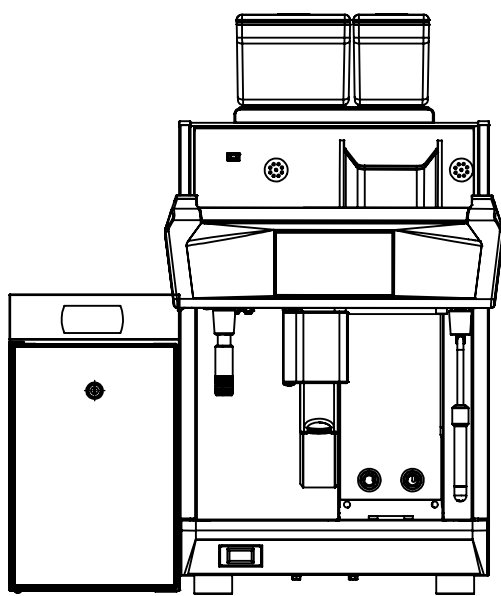
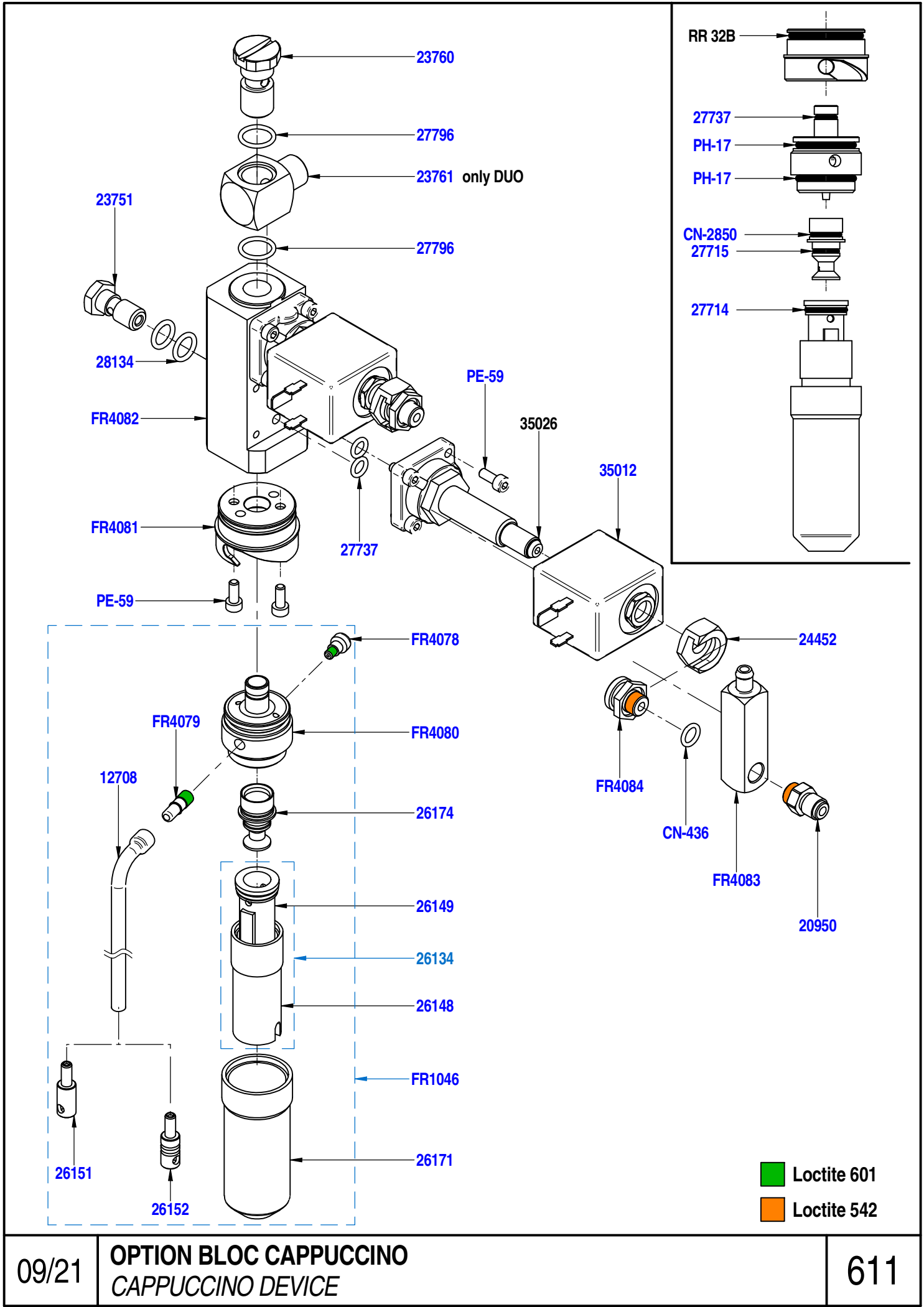


PLANCHE - PLATE 611

REF	ELUX	DESIGNATIONS FR	DESIGNATIONS GB
12708	0UN073	TUBE SILICONE CAPPUCCINATORE L	CAPPUCCINATORE SILICONE PIPE
20950	0UN507	RACCORD 1/8 POUR GICLUEUR	FITTING 1/8 FOR GICLUER
23751	0UN088	AXE DE BANJO 1/8	BANJO SCREW
23760	0UN291	AXE BANJO 1/4	BANJO SCREW 1/4
23761	0UN474	CORPS DE BANJO 1/4	BANJO BODY 1/4
24452	0UN937	ECROU 1/8F FENDU	NUT 1/8M
26134	0UN830	CAPPUCCINO IDEA	CAPPUCCINATORE
26148	0UN448	BRISE JET	ANTI PLASH PLUG
26149	0UN565	MOUSSEUR	FROTHER
26151	0UN426	REDUCTEUR CAPPUCCINATORE D1.7	CAPPUCCINATORE REDUCER D1.7
26152	0UN504	REDUCTEUR CAPPUCCINATORE D2	CAPPUCCINATORE REDUCER D2
26171	0UN438	BEC VERSEUR	SPOUT
26174	0UN355	MELANGEUR	MIXER
27714	0UN950	JOINT TORIQUE 1,78 X 15,6 SILICONE	GASKET 15.6 X 1,78
27715	0UNA1S	JOINT TORIQUE 1,78X8,73 SILICONE	GASKET 8,73 X 1,78
27737	0UN085	JOINT TORIQUE 1,78 X 6,07 NEXUS	O RING 1.78 X 6,07
27796	0UN023	JOINT TORIQUE 1,78 X 12,42 NEXUS	O RING 1.78 X 12,42
28134	0UN019	JOINT TORIQUE 2X9,5 NEXUS	O RING 2X9,5
35012	0UN003	BOBINE 24V	SOLENOID COIL 24V
35026	0UN453	ELECTROVANNE 3 VOIES D3 NSF SANS BOBINE	ELECTROVALVE 3W WITHOUT COIL NSF
CN2850	0UN180	JOINT TORIQUE 1,78X10,82	GASKET 10.82x1.78
CN436	0UN145	JOINT TORIQUE 1,78X8,73 EPDM	GASKET 8,73 X 1,78
FR1046	0UN132	ENSEMBLE LC	LC SET
FR4078	0UN548	INJECTEUR AIR	GICLUER
FR4079	0UN481	EMBOUT M6	SCREW M6
FR4080	0UN239	CORPS CAPPUCCINO	BODY
FR4081	0UN287	ENTRETOISE CAPPUCCINO	INTERFACE
FR4082	0UN374	SUPPORT EV CAPPUCCINO	EV HOLDER
FR4083	0UN600	NOURRICE NETTOYAGE	CLEANING FITTING
FR4084	0UN476	RACCORD 1/8M SORTIE EV	CONNECTION 1/8M OUTPUT EV
PE59	0UN201	VIS TCHC M4x10 INOX	SCREW 4 X 10
PH17	0UNA03	JOINT TORIQUE 2,62X20,63 EPDM	GASKET 20,63 X 2,62
RR32B	0UN229	JOINT TORIQUE 2,62X26,64 EPDM	ROUND RING 26,64 x 2,62 - 75



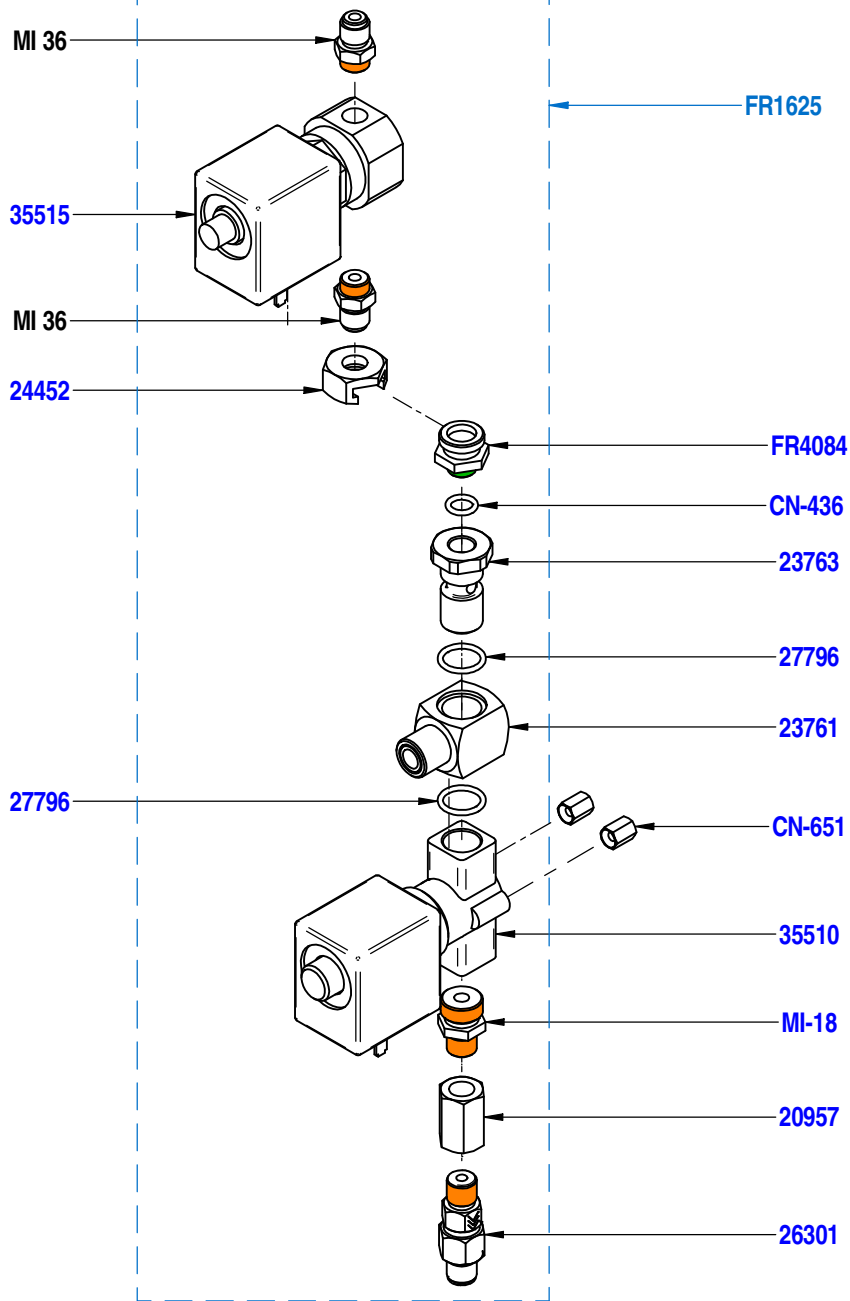
09/21

OPTION BLOC CAPPUCCINO
 CAPPUCCINO DEVICE

611

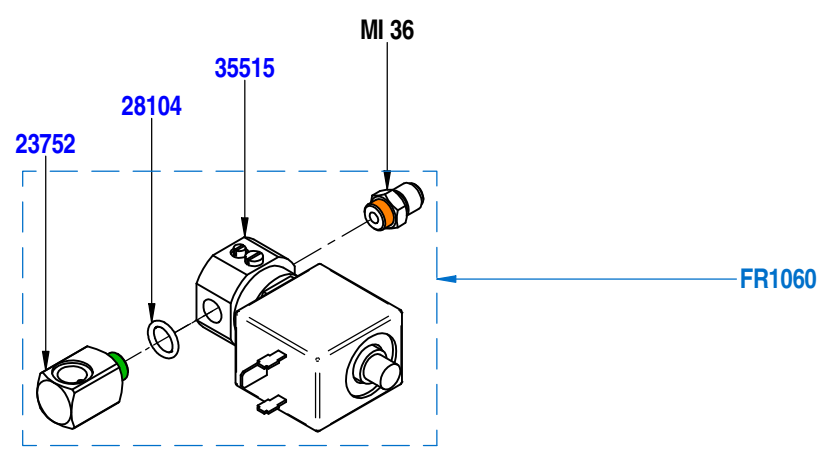
PLANCHE - PLATE 612

REF	ELUX	DESIGNATIONS FR	DESIGNATIONS GB
20957	0UN372	RACCORD DROIT 1/8G	FITTING 1/8G
23752	0UN969	CORPS DE BANJO 1/8	BANJO BODY FOR UNIT HEAD
23761	0UN474	CORPS DE BANJO 1/4	BANJO BODY 1/4
23763	0UN264	AXE BANJO 1/4M - 1/8F	BANJO SCREW 1/4M 1/8F
24452	0UN937	ECROU 1/8F FENDU	NUT 1/8M
26301	0UN030	CLAPET ANTI-RETOUR 1/8	NO RETURN VALVE 1/8
27796	0UN023	JOINT TORIQUE 1,78 X 12,42 NEXUS	O RING 1.78 X 12,42
28104	0UN146	JOINT TORIQUE 2X9,5 FKM 80SH	GASKET 2X9,5
35510	0UN451	EV 2 VOIES 24V NSF	ELECTROVALVE 2 WAYS 24V NSF
35515	0UN551	EV 2 VOIES 24V 50-60HZ NSF	EV 2 WAYS 24V 50-60HZ NSF
CN436	0UN145	JOINT TORIQUE 1,78X8,73 EPDM	GASKET 8,73 X 1,78
CN651	0UN940	ENTRETOISE COURTE DU C.I.	SHORT SPACER FRAME
FR1060	0UN493	EV NETTOYAGE CAPPUCCINO	CAPPUCCINO CLEANING ELECTROVALVE
FR1625	0UN280	BLOC NETTOYAGE CAFE-CAPPU SOLO	CLEANING COFFEE-CAPPU BLOCK
FR4084	0UN476	RACCORD 1/8M SORTIE EV	CONNECTION 1/8M OUTPUT EV
MI18	0UN935	RACCORD MM 1/4 - 1/8 G	FITTING - 1/8 x 1/4
MI36	0UN422	RACCORD 1/8M 1/8M	CONNECTION 1/8



SOLO & ACE

DUO



- Loctite 601
- Loctite 542

PLANCHE - PLATE 613

REF	ELUX	DESIGNATIONS FR	DESIGNATIONS GB
23751	0UN088	AXE DE BANJO 1/8	BANJO SCREW
23766	0UN425	AXE BANJO 1/4M - 1/8F	BANJO SCREW 1/4M 1/8F
26526	0UN230	SONDE DE NIVEAU HAUT	HIGH LEVEL PROBE
26527	0UN231	SONDE DE NIVEAU BAS	LOW LEVEL PROBE
27200	0UN155	SOUPAPE VAPEUR BP 3,5 BARS	LP VALVE 3.5 BARS
27220	0UN298	SOUPAPE VAPEUR BP 3,5 BARS NSF	LP VALVE 3.5 BARS NSF
27796	0UN023	JOINT TORIQUE 1,78 X 12,42 NEXUS	O RING 1.78 X 12,42
28134	0UN019	JOINT TORIQUE 2X9,5 NEXUS	O RING 2X9,5
36510MPS	0UN377	CAPTEUR DE PRESSION 0-16b SENSATA	0-16b PRESSURE SENSOR
CV3	0UN964	VIS TH M8 x 20 INOX	S.STEEL SCREW M8 x 20
FR6018	0UNA3I	TUBE REGULATION CAPPUCCINO GAUCHE	LEFT CAPUCCINO REGULATION PIPE
FR6055	0UNA1Q	TUBE EV CAPPUCCINO	CAPPUCCINO EV PIPE
PA96	0UNBFV	JOINT TORIQUE 1,78X12,42 EPDM	GASKET 1.78 X 12.42
RR83	0UN592	RONDELLE GROVER DE 8	WASHER 8
TG4015	0UN356	RACCORD CAPTEUR DE PRESSION	PRESSURE SENSOR FITTING
TG4078		SUPPORT SOUPAPE BP	LP VALVE HOLDER
TG7022		PROTECTION SOUPAPE	VALVE PROTECTION
TG7023	0UNBY6	COUVERCLE PROTECTION SOUPAPE	COVER VALVE PROTECTION

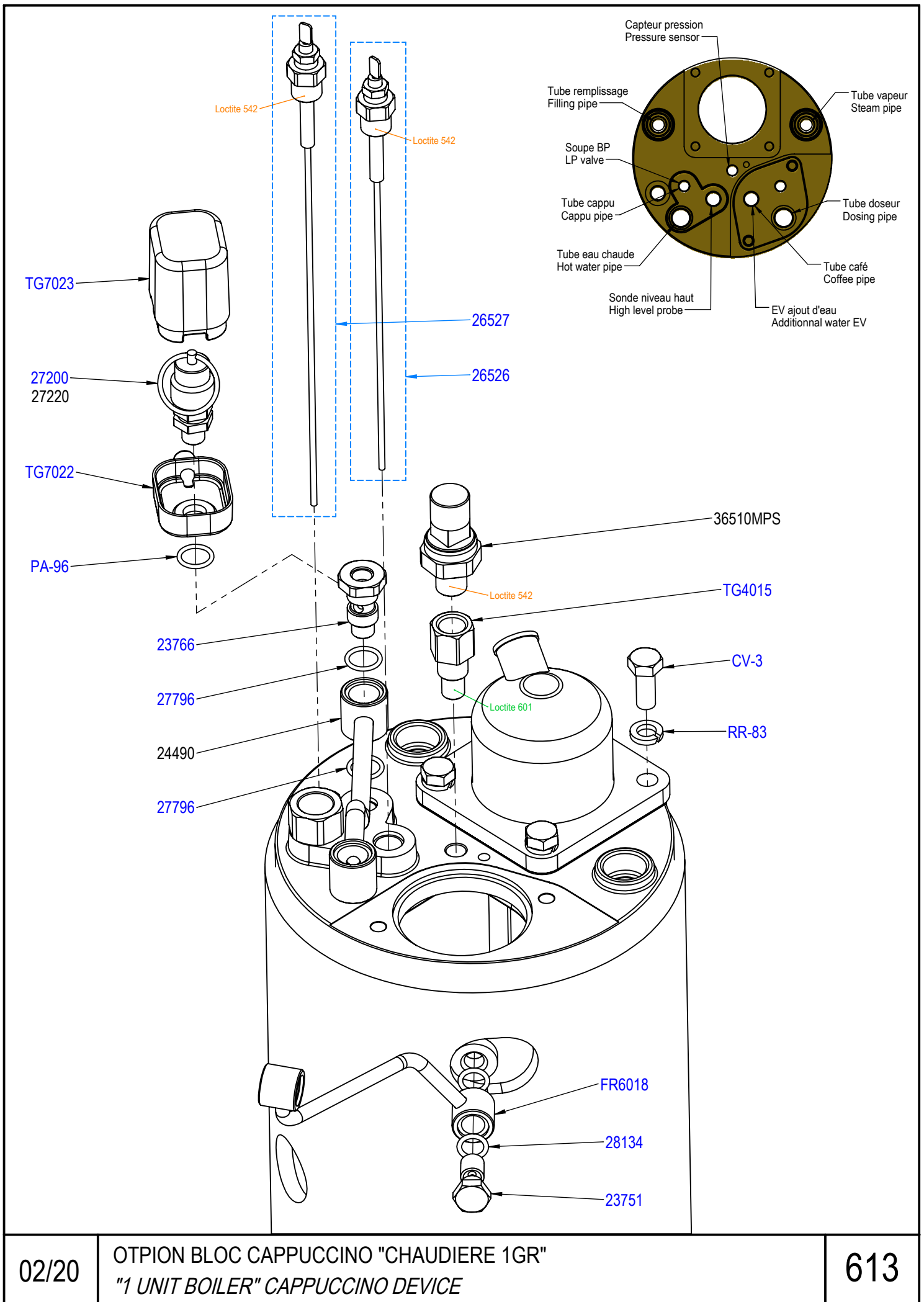
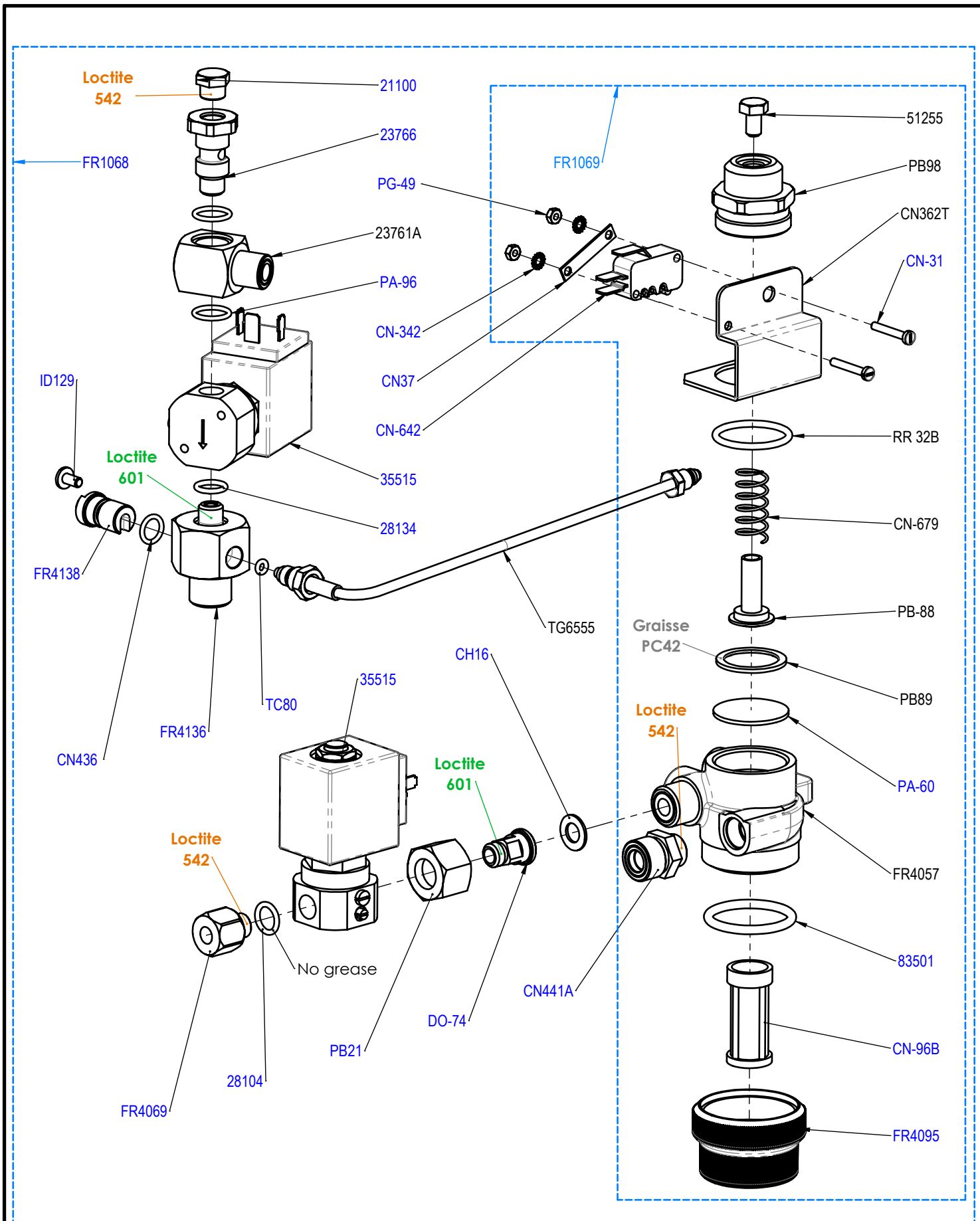


PLANCHE - PLATE 620

REF	ELUX	DESIGNATIONS FR	DESIGNATIONS GB
21100	0UN994	BOUCHON 1/8	PLUG 1/8
23761	0UN474	CORPS DE BANJO 1/4	BANJO BODY 1/4
23766	0UN425	AXE BANJO 1/4M - 1/8F	BANJO SCREW 1/4M 1/8F
28104	0UN146	JOINT TORIQUE 2X9,5 FKM 80SH	GASKET 2X9,5
35515	0UN551	EV 2 VOIES 24V 50-60HZ NSF	EV 2 WAYS 24V 50-60HZ NSF
51255	0UN971	VIS TH M6 X 10 INOX	S. STEEL SCREW M6 X 10
83501	0UN175	JOINT TORIQUE 3,53 X 29,75	GASKET 3,53 X 29,75
CH16	0UN177	JOINT CUIVRE RECUIT 3/8	WASHER - COPPER - 3/8
CN31	0UNA3Q	VIS TC M3 X 20 INOX	SCREW M3 X 20
CN342	0UNA3L	RONDELLE EVENTAIL 3	WASHER 3
CN362T		SUPPORT TOLE POUR MINIRUPTEUR	MICROSWITCH HOLDER
CN37		PATTE INOX FIXATION MINIRUPT.	MICROSWITCH HOLDING BAR
CN436	0UN145	JOINT TORIQUE 1,78X8,73 EPDM	GASKET 8,73 X 1,78
CN441A	0UN465	RACCORD 1/4M-3/8M	FITTING 1/4 3/8
CN642	0UN035	MINIRUPTEUR F=300GR FLASHE OR	MICROSWITCH
CN679	0UN458	RESSORT SECU. EAU D13 P5 L30	SPRING
CN96B	0UN187	CARTOUCHE POUR FILTRE 80 MIC	FILTER CARTRIDGE 80 MICRONS
DO74	0UN416	RACCORD SOUPAPE HP	H.P VALVE CONNECTION
FR1068	0UN428	KIT MITIGEUR EAU CHAUDE	MIXED HOT WATER KIT
FR1069	0UN621	BLOC MITIGEUR EAU CHAUDE	MIXED HOT WATER BLOCK
FR4057	0UN397	BLOC FILTRE EAU MITIGEE	MIXED WATER FILTER BODY
FR4069	0UN464	RACCORD 1/8M M8 X 100	FITTING 1/8M M8 X 100
FR4095	0UN338	CUVE FILTRE LAITON	BRASS WATER SAFETY DISK
FR4136	0UN375	RACCORD SORTIE EAU MITIGEE	MIXED WATER FITTING
FR4138	0UN923	BOUCHON MELANGEUR	MIXER CAP
ID129	0UNA5Z	VIS INOX POELIER VM 4 X 8	SCREW 4 X 8
PA60	0UN431	MEMBRANE D30	MEMBRANE D30
PA96		JOINT TORIQUE 1,78X12,42 EPDM	GASKET 1.78 X 12.42
PB21	0UN488	ECROU 3/8 LAITON	FITTING 3/8
PB88	0UN267	PISTON	PISTON
PB89	0UN429	RONDELLE POUR MEMBRANE	TIGHTENING WASHER
PB98	0UN477	EMBOUT	FITTING
PG49	0UNA45	ECROU INOX Hu DE 3	NUT M3
TC80	0UN211	JOINT TORIQUE 1,78X2,90 FKM	GASKET 1.78X2.90 FKM
TG6555	0UN823	TUBE PTFE D:4 L:800mm	PTFE PIPE D:4 L:800mm
FR8052 *	0UN663	CABLE EV EAU MITIGEE	MIXED WATER EV CABLE



Tous les joints sont graissés (graisse silicone 8104)

All joints are greased (silicone grease 8104)

PLANCHE - PLATE 630

REF	ELUX	DESIGNATIONS FR	DESIGNATIONS GB
28850		PROFILE CAOUTCHOUC U	GASKET
TG1036	0UN843	SUPPORT POT	JAR HOLDER
TG2043	0UN717	BEC DEPORTE	SPOUT DEPORTED
TG2044	0UN718	DESSUS BEC DEPORTE	TOP OF SPOUT

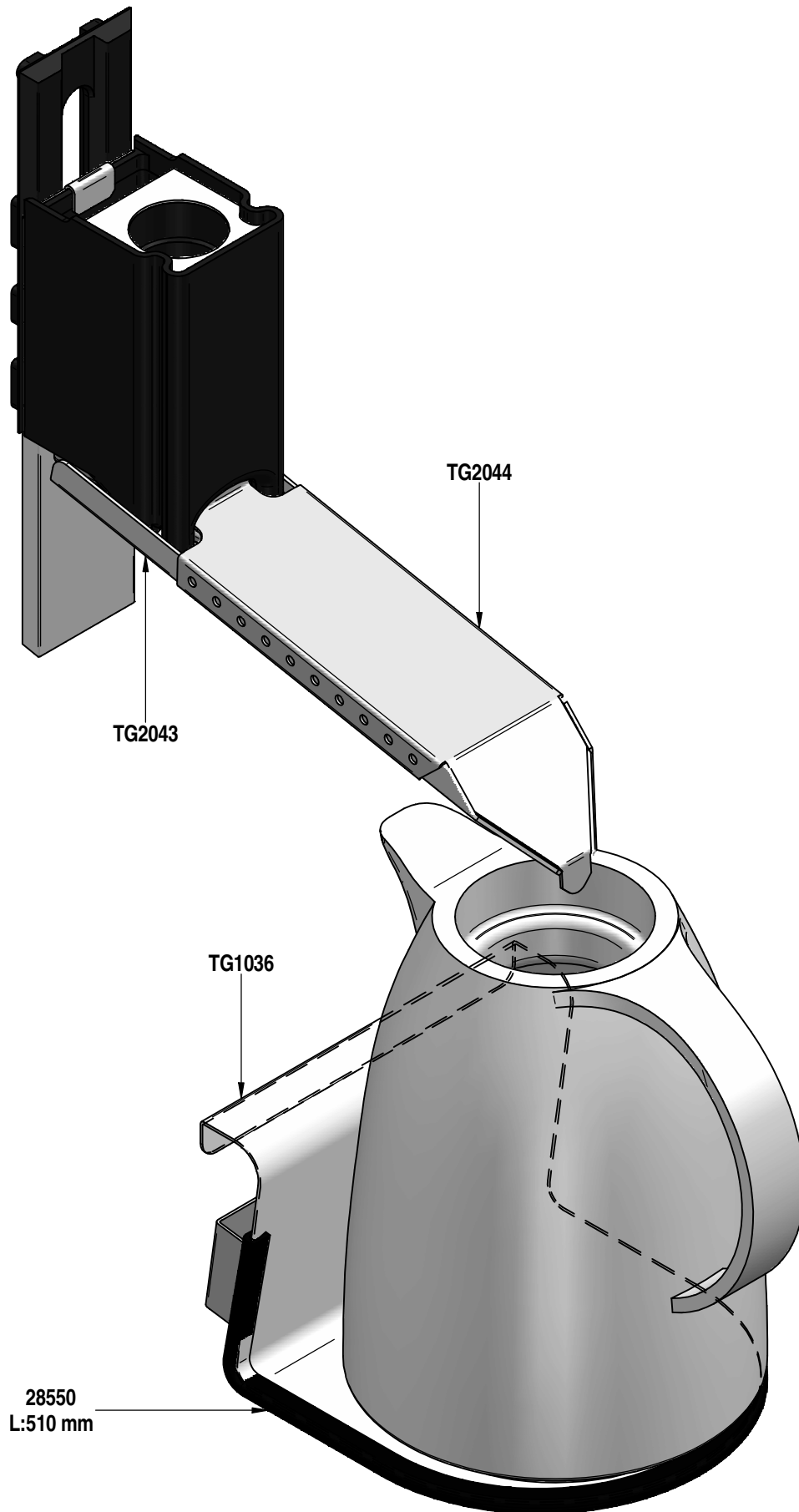
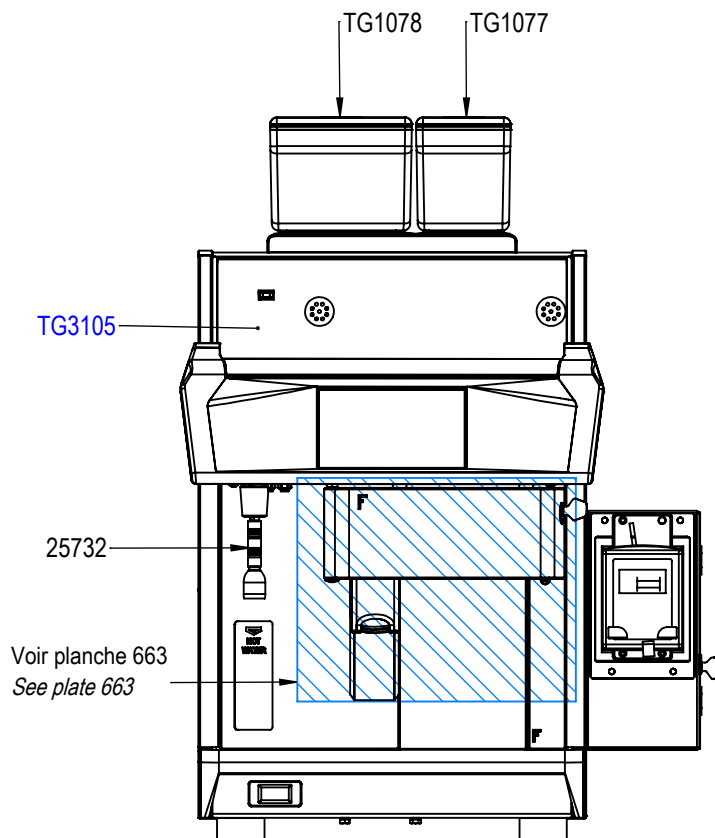


PLANCHE - PLATE 660

REF	ELUX	DESIGNATIONS FR	DESIGNATIONS GB
25732		SORTIE EAU CHAUDE TANGO	<i>HOT WATER OUTLET</i>
45993		AUTOCOLLANT EAU CHAUDE MONAYEUR	<i>EAU CHAUDE STICKER</i>
46251		AUTOCOLLANT HOT WATER	<i>HOT WATER STICKER</i>
FR1062	0UN192	ENSEMBLE EV AJOUT EAU	<i>ADDING WATER EV SET</i>
TG1077		KIT TREMIE AVEC SERRURE 100	<i>100 COFFEE BIN LOCKED KIT</i>
TG1078		KIT TREMIE GAUCHE AVEC SERRURE 150	<i>150 COFFEE BIN LOCKED KIT</i>
TG1088	0UN844	KIT EV PURGE POUR MACHNIE SANS VAPEUR	<i>KIT ELECTOVALVE WITHOUT STEAM OUTLET</i>
TG2712		CAME POUR DEVANT SELF LC-MT	<i>SELF LC AND MT LOCK</i>
TG3105	0UN641	FOND CHAUFFE TASSES sans boite DK	<i>CUP WARMER SHEET without Dk box</i>
TG3521	0UN736	COTE DROIT POUR MONNAYEUR	<i>RIGHT SIDE FOR COINS</i>
TG4044	0UN818	GUIDE TUBE BEC	<i>MIXER FITTING</i>
TG8500	0UN380	CABLE MONETIQUE	<i>COINS WIRE</i>
TG8501	0UNBNY	CABLE EXE	<i>EXE WIRE</i>



Références annexes:

Ajout d'eau [FR1062](#)

Kit trémie avec serrure (100) TG1077

Kit trémie gauche avec serrure (150) TG1078

Kit EV purge TG1088

Butée haute bec TG4044

Câble monétique TG8500

Câble EXE TG8501

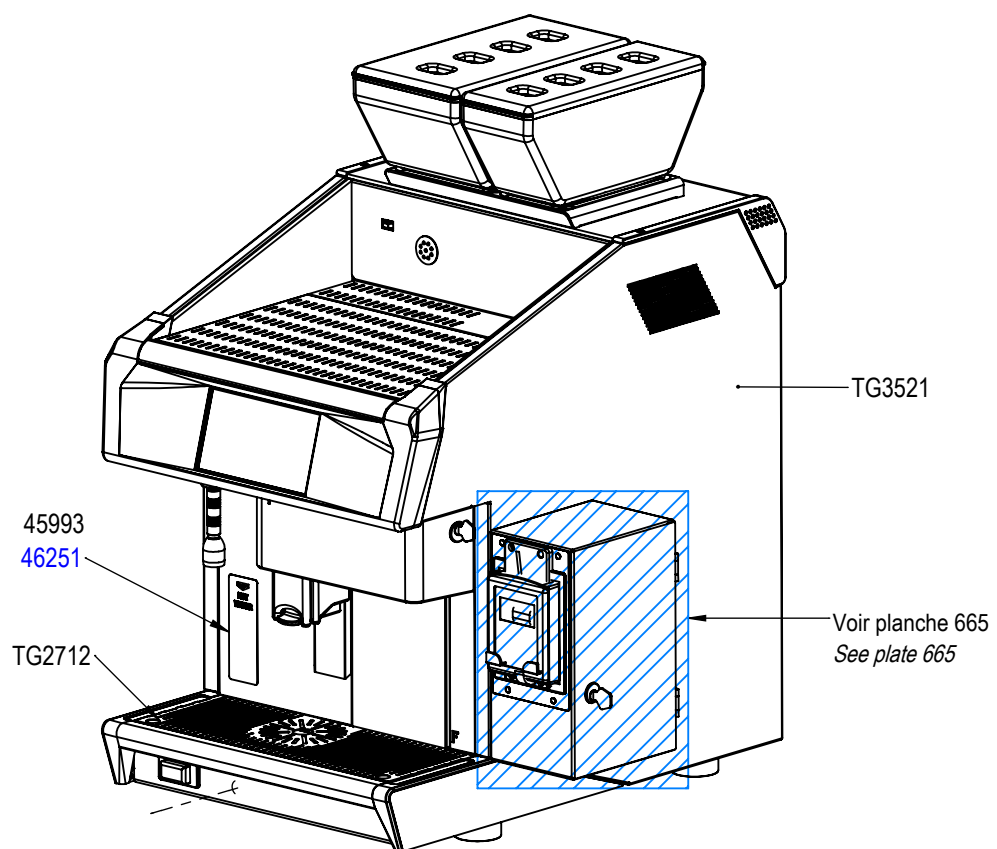


PLANCHE - PLATE 663

REF	ELUX	DESIGNATIONS FR	DESIGNATIONS GB
50126	0UN615	VIS TB CRUCIFORME A EMBASE M4 x 12	CRUCIFORM SCREW M4 x 12
53827	0UNA3G	AIMANT CYLINDRIQUE D6x4	CYLINDRIC MAGNET D6x4
CF199	0UN263	RONDELLE ACIER ZN 8x22x1,5	STEEL WASHER 8x22x1,5
CN371		SERRURE	SAFETY LOCK
CN661	0UN184	ECROU CAGE M4, EP 1/1.6	INSERT NUT M4
D60	0UN929	VIS POELIER M6x10 INOX	SCREW 6X10
FR1015	0UN190	BEC A CAFE SORTIE CAFE	COFFEE SPOUT
FR4050	0UN586	AXE DE PORTILLON	AXLE
PE12	0UN430	ECROU M8	NUT M8
TG1017	0UNA24	ENSEMBLE DEVANT GAUCHE	STANDARD LEFT FRONT
TG2701		TOLE FIXATION RECEPTACLE LOQUET	SHEET METAL HOLDER
TG2705		CAME POUR DEVANT SELF LC-MT	SELF LC AND MT LOCK
TG3700		PORTILLON ENGLOBANT	MAIN DOOR
TG3709		DEVANT DROIT 1GR SELF	RIGHT FRONT PANEL 1 UNIT SELF

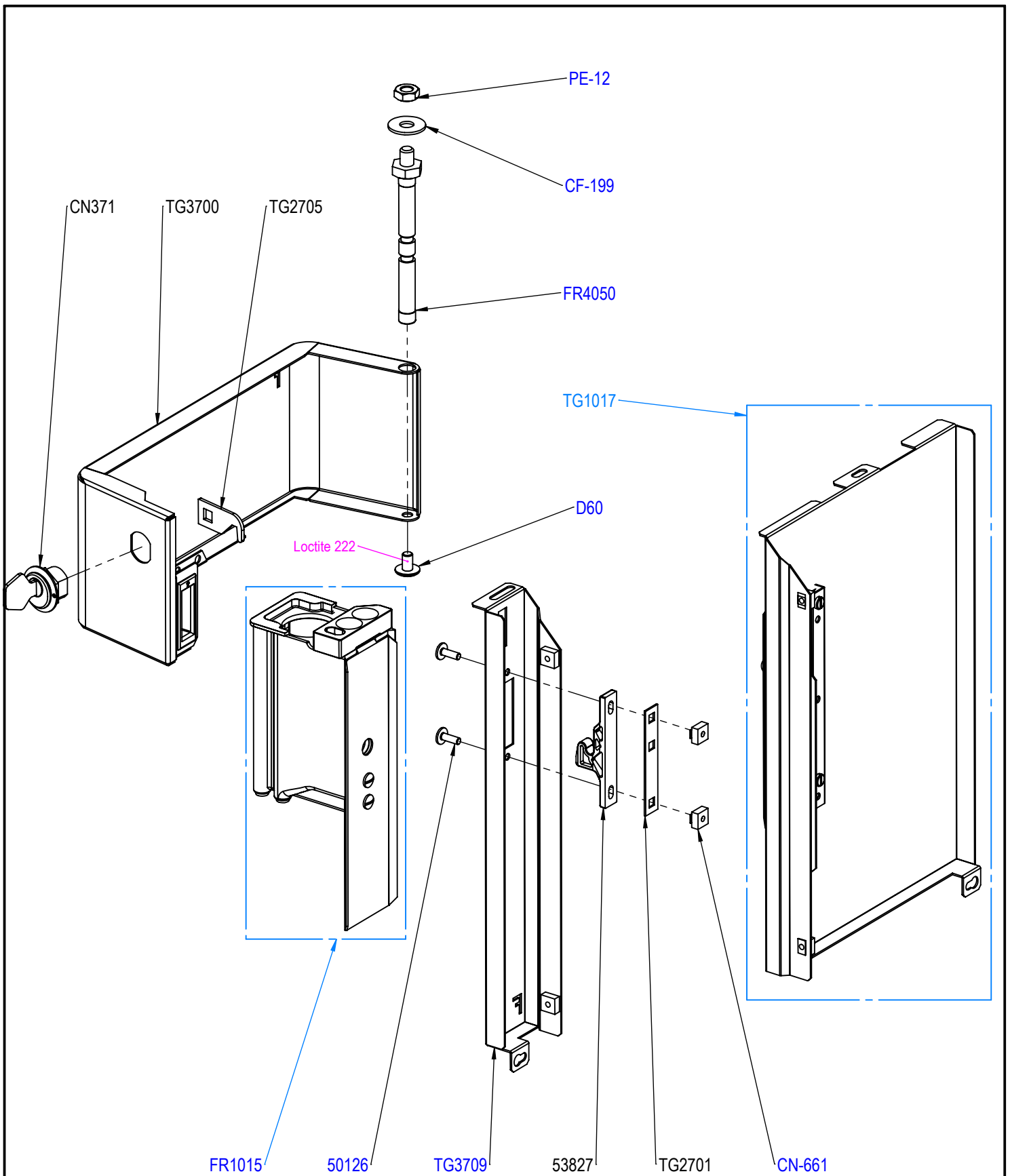


PLANCHE - PLATE 665

REF	ELUX	DESIGNATIONS FR	DESIGNATIONS GB
46512	0UN608	VALIDATEUR DE MONNAIE	COINS VALIDATOR
46515		LECTEUR DE BAGDE	BADGE READER
46516		LECTEUR DE BAGDE INGENICO	INGENICO BADGE READER
46541	0UN518	FACADE MONNAYEUR	COIN TESTER FRONT PANEL
46547	0UN680	CHARNIERE INOX 30*30	HINGE 30*30
50105	0UN503	VIS TX 4X14 SANS EMPREINTE	SCREW 4X14
50702	0UN243	VIS TOLE TC INOX N°6 X 6.4	SCREW
54206	0UN759	GODET PLASTIQUE H69*79*109	PLASTIC BUCKET
CN343	0UNA3M	RONDELLE EVENTAIL 4	WASHER 4
CN371		SERRURE	SAFETY LOCK
PG14	0UN277	ECROU M4	NUT M4
TC80	0UN211	JOINT TORIQUE 1,78X2,90 FKM	GASKET 1.78X2.90 FKM
TG1700	0UN803	CAISSON NOIR	BLACK BOX
TG1710	0UN715	CAISSON NOIR JETON	COINS BLACK BOX
TG1711	0UN633	CAISSON NOIR INGENICO	INGENICO BLACK BOX
TG2501		TOLE SERRURE CAISSON NOIR	BLACK BOX LOCK
TG3552		SUPPORT LECTEUR INGENICO + 52302	INGENICO READER HOLDER + 52302
TG3553		SUPPORT LECTEUR BADGE + 52302	BADGE READER HOLDER + 52302
TG3555		SUPPORT POUR FACADE 46541 + 52302	HOLDER FOR 46541 + 52302
TG3510	0UNA9I	CAISSON NOIR PARTIE INF (PRODUCTION)	LOW PART SHEET METAL
TG3511	0UN848	CAISSON NOIR PARTIE SUP (PRODUCTION)	HIGH PART SHEET METAL
TG3512	0UN813	PORTE POUR CAISSON NOIR (PRODUCTION)	DOOR SHEET METAL

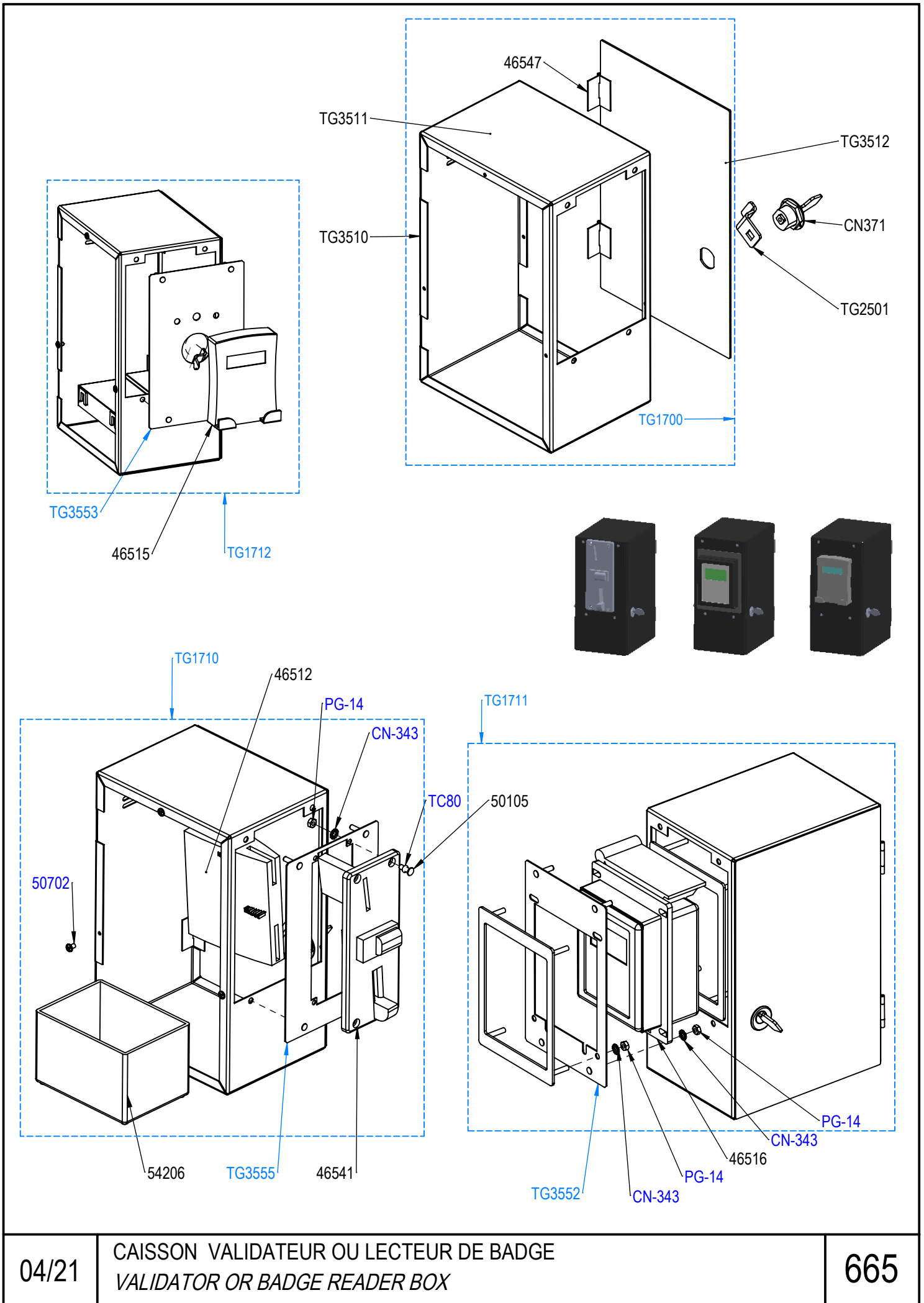


PLANCHE - PLATE 690

REF	ELUX	DESIGNATIONS FR	DESIGNATIONS GB
12745	0UN306	TUYAU TRANSMETAL D 16 X 22.2	<i>PIPE D16 X 22.2</i>
20710		RACCORD MF REDUIT M 3/8- F1/2	<i>FITTING M 3/8- F1/2</i>
25310		TUBE FLEXIBLE C3/8 -F3/8	<i>FLEXIBLE PIPE</i>
54212	0UN220	PICHET 2000 ML gradué, en polypropylène	<i>JUG 2000 ML gradual, in polypropylene</i>
92027	0UN125	DETERGENT LIQUID ACID - LAIT 1000 ML	<i>LIQUID DETERGENT ACID - MILK 1000ML</i>
92060	0UN075	PASTILLES MACH. AUTOM. / 120 T	<i>12-U45-UN120-12 - UNIC Cleaning Tab</i>
CH16	0UN177	JOINT CUIVRE RECUIT 3/8	<i>WASHER - COPPER - 3/8</i>
CN1105	0UN765	COLLIER DE SERRAGE 24 X 36	<i>CLAMP COLLAR 24 X 36</i>



PLANCHE - PLATE 691

REF	ELUX	DESIGNATIONS FR	DESIGNATIONS GB
53430		PROTECTEUR GPN 290/14	290/14 GPN PROTECTOR
53431		PROTECTEUR GPN 290/16	290/16 GPN PROTECTOR
54260	0UNBFZ	VERRE DOSEUR GRADUE 100ML	100ML GRADUED GLASS
92017	0UN222	BROSSE POUR NETTOYAGE GROUPE	BRUSH FOR CLEANING GROUP
92018	0UNBG0	CLE A PIPE 8MM	8MM SOCKET WRENCH
FR0102	0UN224	OUTIL DE MONTAGE DOUILLES	TOOL FOR MOUNTING SLEEVES
FR0104	0UN026	KIT RECUPERATION DOSE CAFE MOULU	COFFEE DOSE RECOVERY KIT
FR0110	0UN135	OUTIL CHASSE DOUILLES	TOOL FOR DRIVING OUT SLEEVES
FR0115	0UNBFY	OUTIL EXTRACTION CHEMISE	TOOL FOR INFUSION CHAMBER EXTRACTION
FR0125	0UNBFX	OUTIL SECURITE TIROIR MAINTENANCE	TOOL FOR SECURITY DRAWER
OU003	0UNBG1	CLE REGLAGE SOUPEPE HP	PIN WRENCH FOR HP VALVE



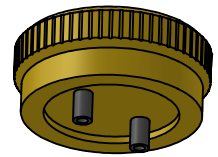
54260



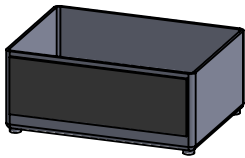
92017



FR0125



OU003



FR0104



92018



FR0115



53430

53431



FR0102



FR0110