



**AUTOMATIC COFFEE APPLIANCE  
MACHINE A CAFÉ AUTOMATIQUE**

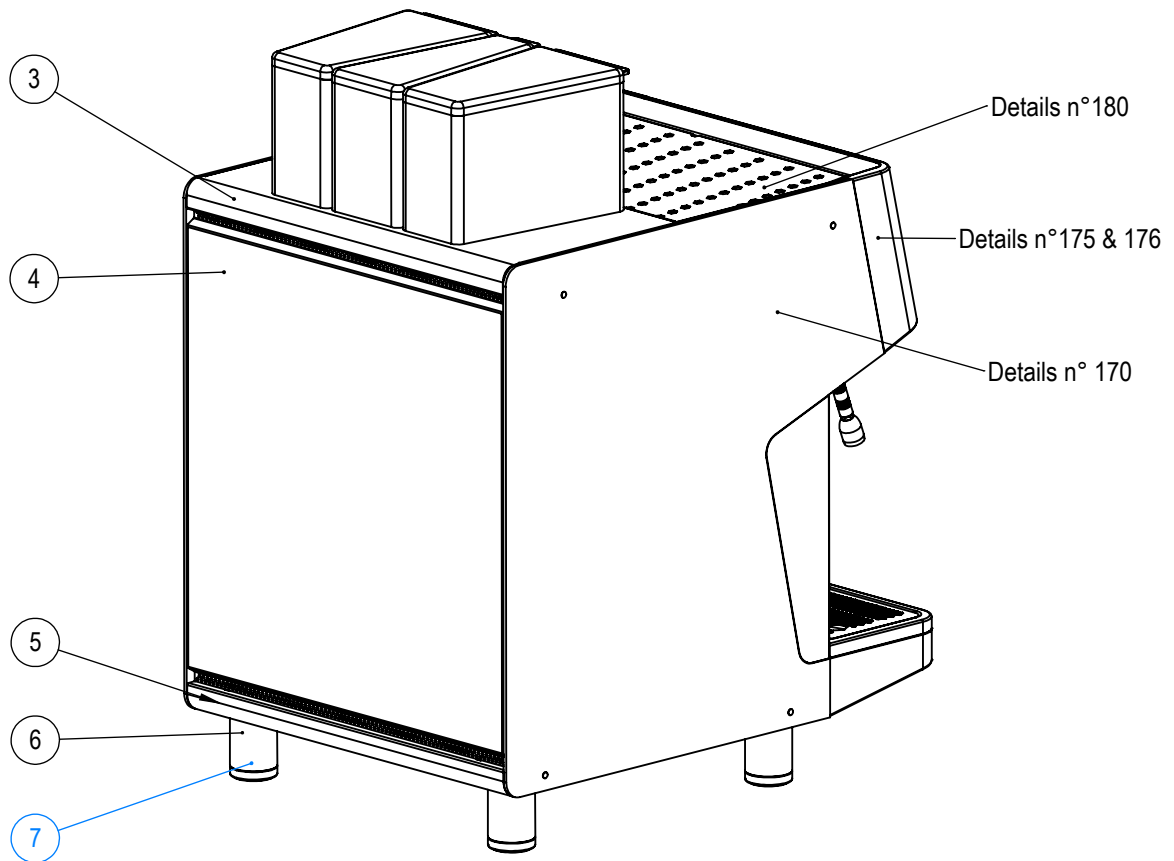
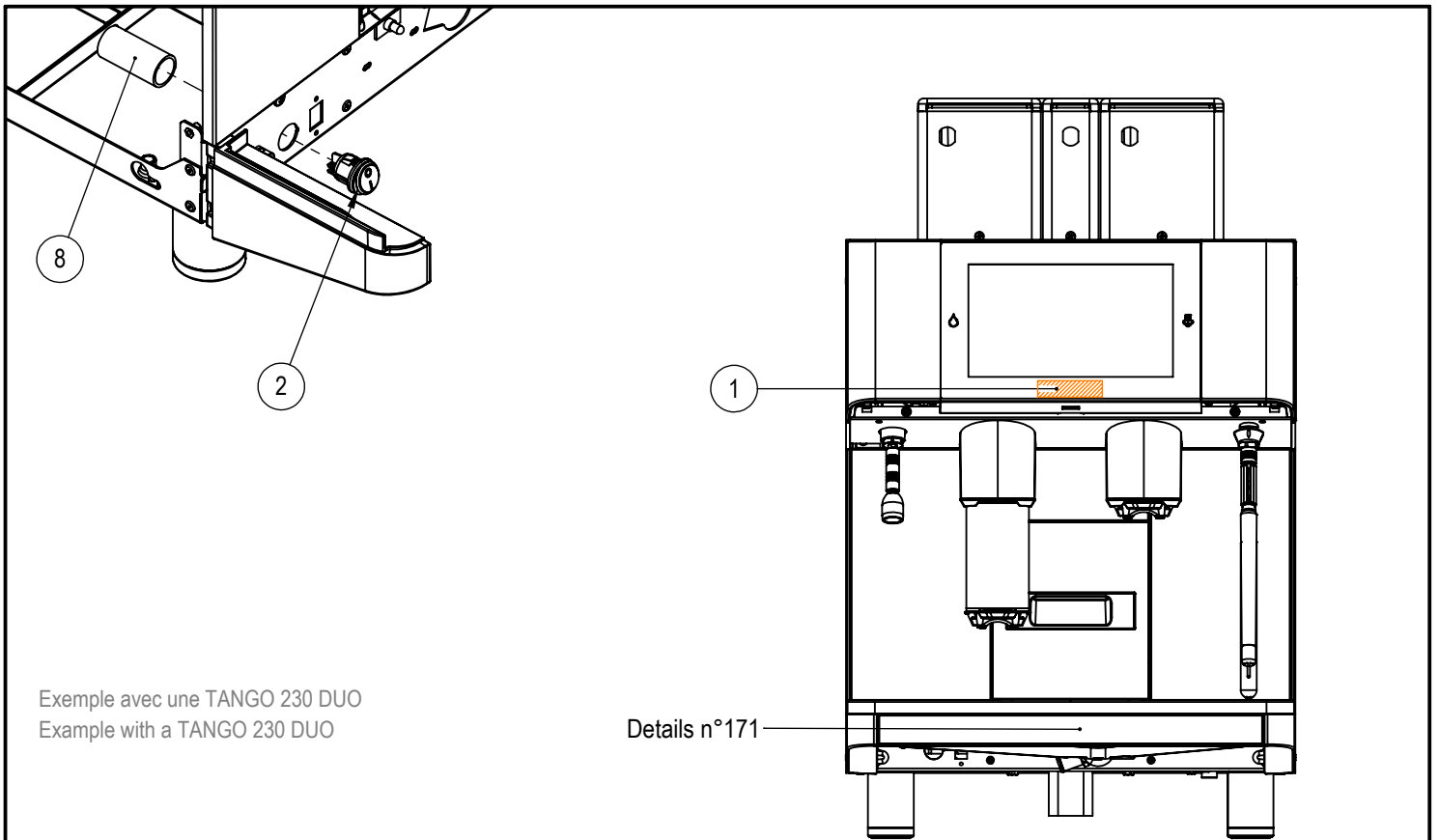
**TANGO XP RANGE**

**PNCs List:**

PNC	MODEL	REF	DESCRIPTION	NOTE
604503	TXD220HE1GES001	a	TANGO XP DUO 220 MAT GREY	380-415V 3N 50/60Hz
604504	TXD22PHE1GES001	b	TANGO XP DUO 22P MAT GREY PUMP MILK SYSTEM	380-415V 3N 50/60Hz
604505	TXD230HE1GES001	c	TANGO XP DUO 230 MAT GREY	380-415V 3N 50/60Hz
604506	TXD23PHE1GES001	d	TANGO XP DUO 23P MAT GREY PUMP MILK SYSTEM	380-415V 3N 50/60Hz
604502	TXD120HE1GES001	e	TANGO XP SOLO 120 MAT GREY	380-415V 3N 50/60Hz
604517	TXD12PHE1GES001	f	TANGO XP SOLO 12P MAT GREY PUMP MILK SYSTEM	380-415V 3N 50/60Hz
604518	TXD220SE8GNS014	g	TANGO XP DUO 220 MAT GREY STEAMAIR	208-240V 1N 60Hz - UL/NSF
604519	TXD22PSE8GNS014	h	TANGO XP DUO 22P MAT GREY STEAMAIR PUMP MILK SYSTEM	208-240V 1N 60Hz - UL/NSF
602700	TXD13PHE1GES001	i	TANGO XP SOLO 13P MAT GREY PUMP MILK SYSTEM	380-415V 3N 50/60Hz
602605	TXD220SE1GES001	j	TANGO XP DUO 220 MAT GREY STEAMAIR	380-415V 3N 50/60Hz
602606	TXD230SE1GES001	k	TANGO XP DUO 230 MAT GREY STEAMAIR	380-415V 3N 50/60Hz
604009	TXD230SE8GNS014	l	TANGO XP DUO 230 MAT GREY STEAMAIR	208-240V 1N 60Hz - UL/NSF
604010	TXD23PSE8GNS014	m	TANGO XP DUO 23P MAT GREY STEAMAIR PUMP MILK SYSTEM	208-240V 1N 60Hz - UL/NSF
604011	TXD120SE8GNS014	n	TANGO XP SOLO 120 MAT GREY STEAMAIR	208-240V 1N 60Hz - UL/NSF
604012	TXD12PSE8GNS014	o	TANGO XP SOLO 12P MAT GREY STEAMAIR PUMP MILK SYSTEM	208-240V 1N 60Hz - UL/NSF
604013	TXD130SE8GNS014	p	TANGO XP SOLO 130 MAT GREY STEAMAIR	208-240V 1N 60Hz - UL/NSF
604014	TXD13PSE8GNS014	q	TANGO XP SOLO 13P MAT GREY STEAMAIR PUMP MILK SYSTEM	208-240V 1N 60Hz - UL/NSF
602175	TXD120HE1GES035	r	TANGO XP SOLO 120 MAT GREY	380-415V 3N 50/60Hz
602176	TXD120SE1GES035	s	TANGO XP SOLO 120 MAT GREY STEAMAIR	380-415V 3N 50/60Hz
602690	TXD12PHE1GES035	t	TANGO XP SOLO 12P MAT GREY PUMP MILK SYSTEM	380-415V 3N 50/60Hz
602599	TXD130HE1GES035	u	TANGO XP SOLO 130 MAT GREY	380-415V 3N 50/60Hz
602600	TXD130SE1GES035	v	TANGO XP SOLO 130 MAT GREY STEAMAIR	380-415V 3N 50/60Hz
602720	TXD13PHE1GES035	w	TANGO XP SOLO 13P MAT GREY PUMP MILK SYSTEM	380-415V 3N 50/60Hz
602721	TXD220HE1GES035	x	TANGO XP DUO 220 MAT GREY	380-415V 3N 50/60Hz
604015	TXD220SE1GES035	y	TANGO XP DUO 220 MAT GREY STEAMAIR	380-415V 3N 50/60Hz
604018	TXD22PHE1GES035	z	TANGO XP DUO 22P MAT GREY PUMP MILK SYSTEM	380-415V 3N 50/60Hz
604016	TXD230HE1GES035	a1	TANGO XP DUO 230 MAT GREY	380-415V 3N 50/60Hz
604017	TXD230SE1GES035	b1	TANGO XP DUO 230 MAT GREY STEAMAIR	380-415V 3N 50/60Hz
604019	TXD23PHE1GES035	c1	TANGO XP DUO 23P MAT GREY PUMP MILK SYSTEM	380-415V 3N 50/60Hz
602296	TXD22PSE1GES001	d1	TANGO XP DUO 22P SA TEFLON TRI CE/CB GREY	220-240/380-415V 3N/1N 50/60Hz
602593	TXD130HE1GES001	e1	TANGO XP SOLO 130 TEFLON TRI CE GREY	200-240/380-415V 3N/1N 50/60Hz
602596	TXD130SE1GES001	f1	TANGO XP SOLO 130 SA TRI CE GREY	200-240/380-415V 3N/1N 50/60Hz
602607	TXD120SE1GES001	g1	TANGO XP SOLO 120 SA TRI CE GREY	200-240/380-415V 3N/1N 50/60Hz

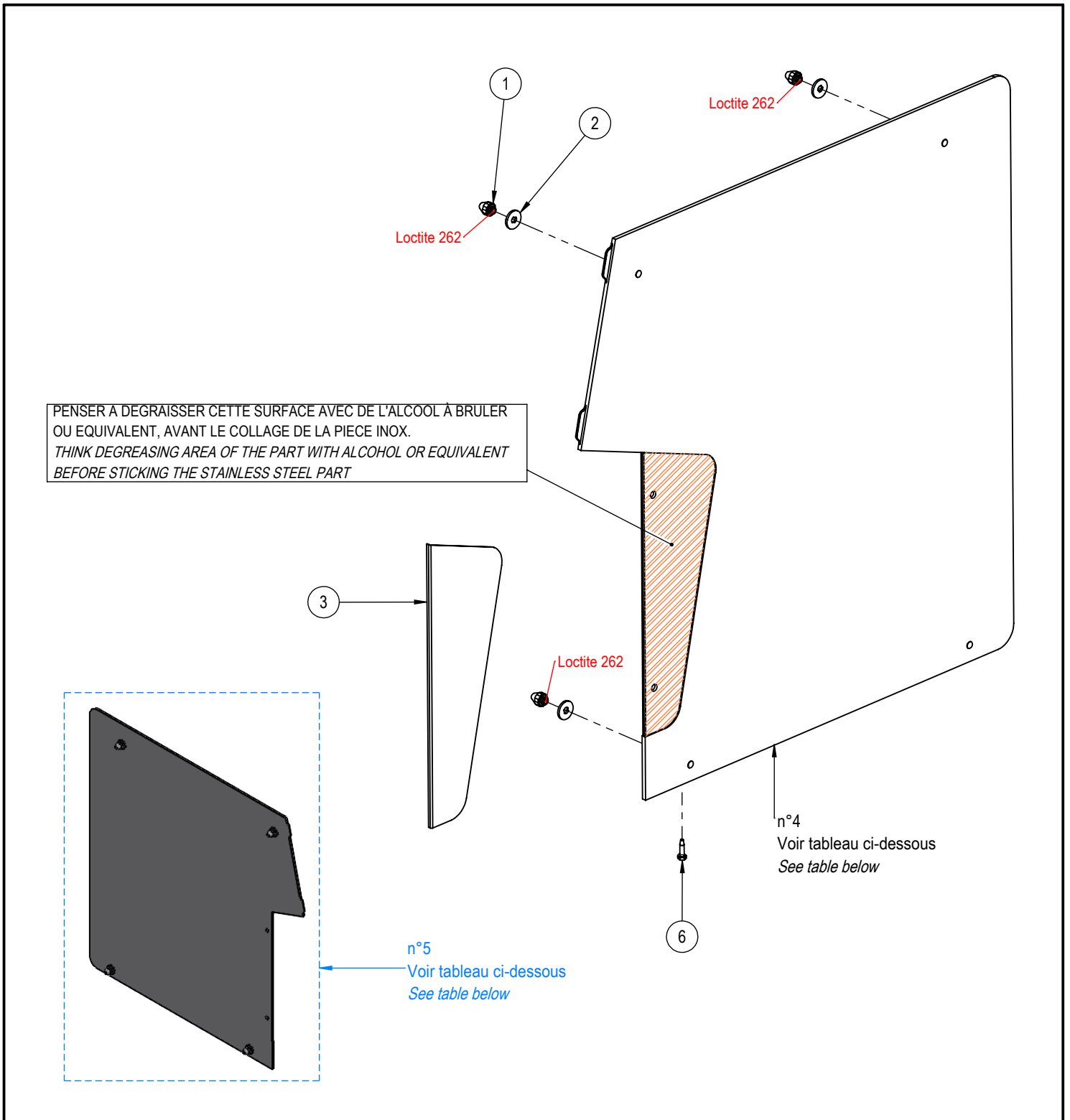


<b>1XX</b>	<b>Page</b>	<b>HABILLAGE</b>	<b>MACHINE CASING</b>
160	4	VUE D'ENSEMBLE	OVERVIEW
170	6	COTES MACHINE	COMPLETE SIDES PANEL
171	8	ENSEMBLE BASSINE, JOUES	SET OVERFLOW TRAY AND SIDES PARTS
172	10	ENSEMBLE BAC A MARC	SET WASTE DRAWER
175	12	CALANDRE, ENSEMBLE PLASTIQUE	PLASTIC FRONT PANEL SET
176	14	CALANDRE, ENSEMBLE SUPPORT	FRONT PANEL, SUPPORT SET
180	16	CHAUFFE TASSES	CUPS WARMER
186	18	TRÉMIES TANGO XP	HOPPER UNIT
<b>2XX</b>		<b>SORTIES EXTÉRIEURES</b>	<b>EXTERNAL OUPUT</b>
202	20	SORTIE EV VAPEUR TANGO XP	EV STEAM OUTLET TANGO XP
222	22	SORTIE VAPEUR STD	STD STEAM OUTLET
243	24	SORTIE STEAMAIR ITALCOPPIE	STEAMAIR OUTLET
252	26	SORTIE EV EAU CHAUDE	HOT WATER OUTLET
260	28	SORTIE EAU CHAUDE	HOT WATER OULTET
<b>3XX</b>		<b>HYDRAULIQUE</b>	<b>HYDRAULIC CIRCUIT</b>
311	30	ENSEMBLE ENTRÉE D'EAU	WATER INLET SET
320	32	POMPES 100L-200L	100L-200L MOTORS PUMPS
336	34	NOURRICE ALIMENTATION	WATER FEEDING UNIT
337	36	SOUS-ENSEMBLES HYDRAULIQUES 1GR	SUB-ASSEMBLIES HYDRAULIC
342	38	VUE D'ENSEMBLE CHAUDIÈRES TANGO XP	OVERVIEW TANGO XP BOILERS
348	40	CHAUDIÈRE CAFÉ	COFFEE BOILER
353	42	CHAUDIÈRE VAPEUR	STEAM BOILER
358	44	MODULE EV 2GR	ELECTROVALVE MODULE 2GR
365	46	BLOC PASTILLES	PELLET PART SET
366	48	ENSEMBLE BLOC VIDANGE	CLEANING DRAIN SET
371	50	GOULOTTE D'ÉVACUATION	DRAIN CHUTE
375	52	SUPPORT TUBES 2GR	2 UNITS PIPE HOLDER
<b>4XX</b>		<b>CIRCUIT CAFÉ</b>	<b>COFFEE SYSTEM</b>
402	54	MOULIN 84MM	COFFEE GRINDER
410	56	ENTONNOIR	FUNNEL
417	58	ENSEMBLE BALANCIER	CLEANING DEVICE
422	60	MONOGROUPE CAFÉ	MONOGROUP
423	62	GROUPE CAFÉ SANS PISTON (2P) NA	COFFEE UNIT WITHOUT PISTON (2P)
425	64	PISTON COMPLET	PISTON DEVICE
426	66	PISTON COMPLET NEXT GEN	PISTON DEVICE
432	68	MOTEUR 37382 PLATEAU NA	TURNTABLE MOTOR
440	70	BEC CAFÉ	COFFEE SPOUT
<b>5XX</b>		<b>ÉLECTRONIQUE</b>	<b>ELECTRONIC SYSTEM</b>
502	72	FUSIBLES CARTE MÈRE	FUSES CONNECTORS
520	74	BOÎTIER ÉLECTRONIQUE	ELECTRONIC BOX
551	76	CÂBLES ÉLECTRIQUES	ELECTRIC WIRING
<b>6XX</b>		<b>OPTION/KIT</b>	<b>OPTION/KIT</b>
642	78	OPTION POMPE LAIT «BLOC POMPE LAIT»	«MILK PUMP BLOCK» MILK PUMP KIT
645	80	OPTION POMPE LAIT «BLOC LAIT XP»	«MILK BLOCK» MILK PUMP KIT
646	82	CARROSSERIE MODULE FRIGO FG16 XP	ABODY OF FG16 FRIDGE MODULE
692	84	KITS TECHNICIEN XP	TECHNICIAN TOOLS KIT



## PLANCHE - PLATE 160

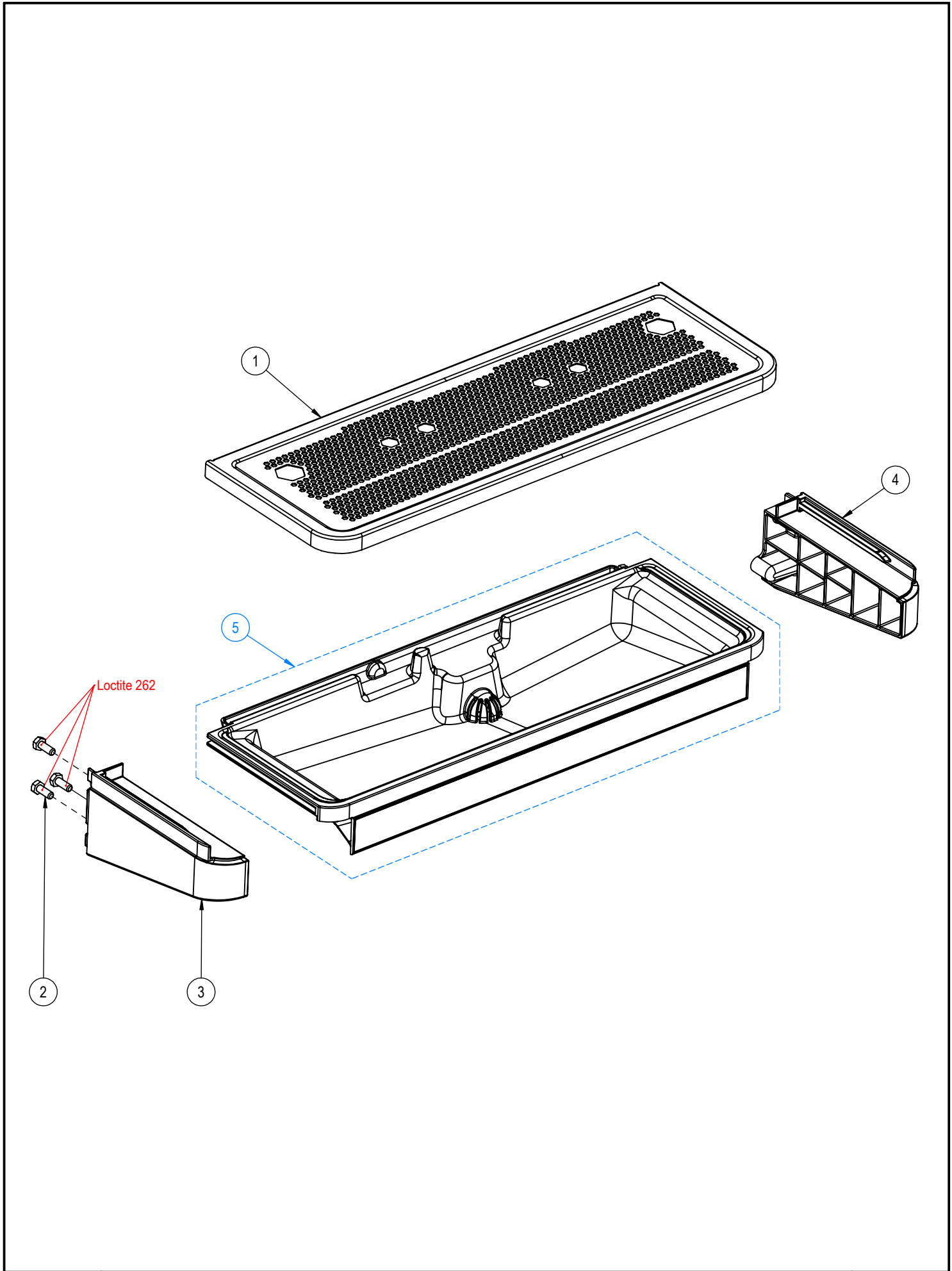
Pos.	Fact. code	Code	Description FR	Description GB	V	W&T	REF.	NOTES	S/N BREAK
1	46310		STICKER TANGO XP 7MM METALFLEX	STICKER TANGO XP 7MM METALFLEX					
2	43415	0UNDC7	INTERRUPTEUR BIPOLAIRE A BASCULE	BIPOLAR SWITCH					
		0UNJ19	CAPOT POUR INTERRUPTEUR ROND	PLASTIC COVER SWITCH					
3	NA3025	0UNJRZ	CASQUETTE 2 TREMIES 1GR	2 HOPPERS TOP PLATE 1GR			ef;n;o;r;s;tg1		
3	NA3026	0UNJ08	CASQUETTE 3 TREMIES 1GR				i;p;q;u;v;w;e1;f1		
3	NA3027	0UNJPX	CASQUETTE 2 TREMIES 2GR	2 HOPPERS TOP PLATE 2GR			ab;g;h;j;x;y;z;d1		
3	NA3028	0UNJ07	CASQUETTE 3 TREMIES 2GR	3 HOPPERS TOP PLATE 2GR			c;d;k;l;m;a1;b1;c1		
4	NA3023	0UNJNJ	CHEMISE ARRIERE 1GR	1GR REAR CASING			ef;f1;n;o;p;q;r;s;t;u;v;w;e1;f1;g1		
4	NA3024	0UNJNM	CHEMISE ARRIERE 2GR	2GR REAR CASING			a;b;c;d;g;h;j;k;l;m;x;y;z;a1;b1;c1;d1		
5	NA3020	0UNJM0	BAGUETTE ARRIERE 1GR	1GR REAR TRIM			ef;f1;n;o;p;q;r;s;t;u;v;w;e1;f1;g1		
5	NA3021	0UNJM2	BAGUETTE ARRIERE 2GR	2GR REAR TRIM			a;b;c;d;g;h;j;k;l;m;x;y;z;a1;b1;c1;d1		
6	54000	0UNDM3	PIED REGLABLE 71/79 VIS M8X15	ADJUSTABLE FOOT					
7	54004	871041	KIT PIED REGLABLE 71/79 VIS M8X15	KIT ADJUSTABLE FOOT					
8	12724	0UN358	TUBE SILICONE D20	SILICONE PIPE					



	N°4	N°5
Couleur / Color	Ref pièce / part	Ref ss-ensemble / sub-assembly
	Gauche (left) / Droit (right)	Gauche (left) / Droit (right)
BRUT / RAW	NA3009 / NA3010	
NOIR MAT / FROSTED BLACK	NA3043 / NA3044	NA1008 / NA1009
GRIS MAT / FROSTED GREY	NA3045 / NA3046	NA1033 / NA1034
BLANC BRILLIANT / GLOSS WHITE	NA3047 / NA3048	NA1035 / NA1036
OR NACRE / PEARLY GOLD	NA3049 / NA3050	NA1047 / NA1048

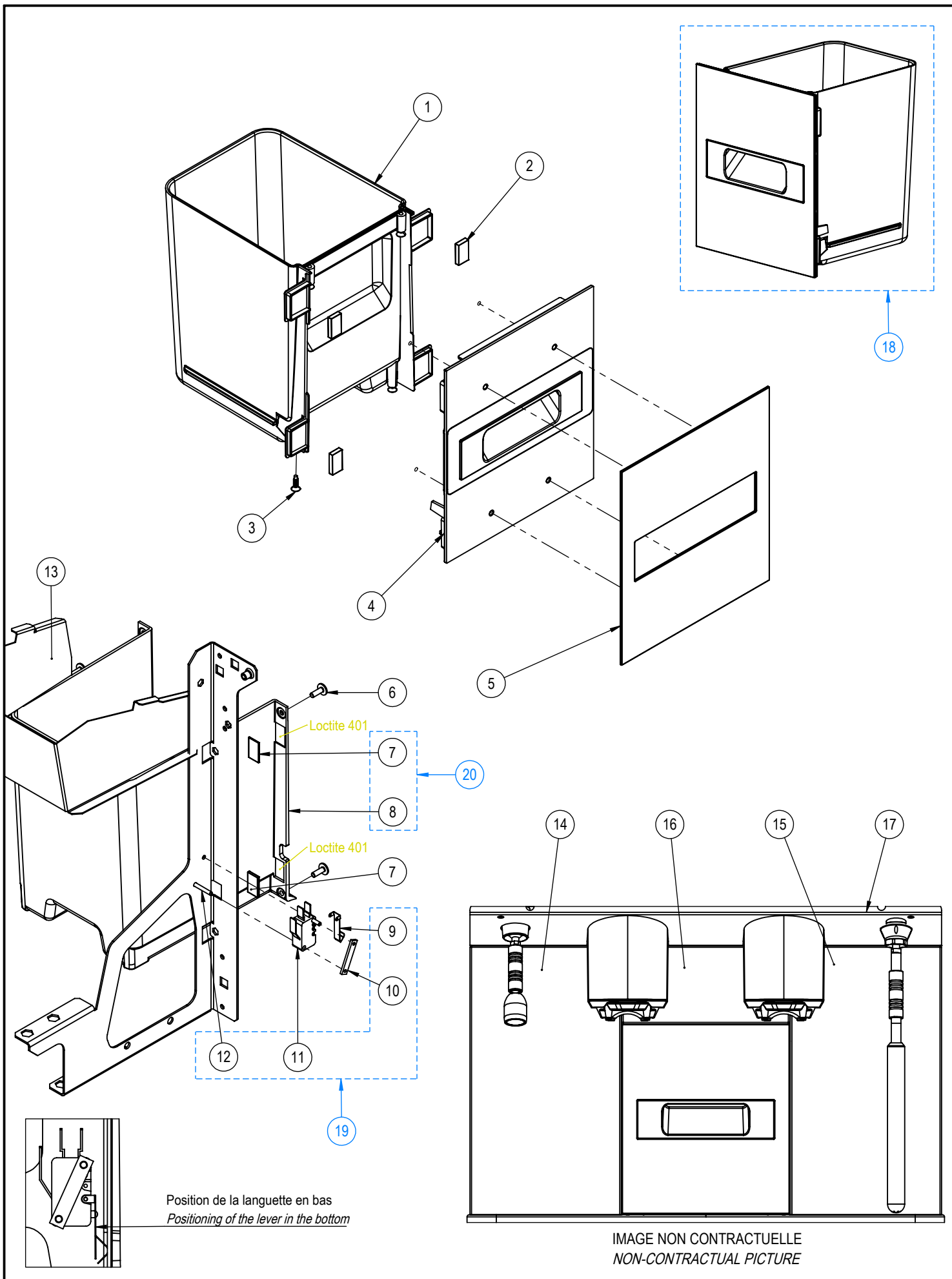
## PLANCHE - PLATE 170

Pos.	Fact. code	Code	Description FR	Description GB	V	W&T	REF.	NOTES	S/N BREAK
1	NA4010	0UNJPG	BAGUE COTE N.A.	NUT SIDE PANEL N.A.					
2	51650	0UN297	RONDELLE 6 6.4x18x2 NYLON	WASHER DIAM. 6 NYLON					
3	NA3011		ORNEMENT GAUCHE	LEFT TRIM SIDE PANEL					
3	NA3012		ORNEMENT DROIT	RIGHT TRIM SIDE PANEL					
4	NA3009		COTE GAUCHE	LEFT SIDE PANEL					
4	NA3010		COTE DROIT	RIGHT SIDE PANEL					
4	NA3043		COTE GAUCHE NOIR GIVRE	LEFT SIDE PANEL FROSTED BLACK					
4	NA3044		COTE DROIT NOIR GIVRE	RIGHT SIDE PANEL FROSTED BLACK					
4	NA3045	0UNJHB	COTE GAUCHE GRIS GIVRE	LEFT SIDE PANEL FROSTED GREY			abc,def,gh,ijklm,n;o; p,q,r,s,t,u,v,w,x,y,z;a1; b1;c1;d1,e1,f1,g1		
4	NA3046	0UNJHC	COTE DROIT GRIS GIVRE	RIGHT SIDE PANEL FROSTED GREY			abc,def,gh,ijklm,n;o; p,q,r,s,t,u,v,w,x,y,z;a1; b1;c1;d1,e1,f1,g1		
4	NA3047		COTE GAUCHE BLANC BRILLANT	LEFT SIDE PANEL GLOSS WHITE					
4	NA3048		COTE DROIT BLANC BRILLANT	RIGHT SIDE PANEL GLOSS WHITE					
4	NA3049		COTE GAUCHE OR NACRE MAT	LEFT SIDE PANEL GOLD PEARLY					
4	NA3050		COTE DROIT OR NACRE MAT	RIGHT SIDE PANEL GOLD PEARLY					
5	NA1008	0UNJBP	COTE GAUCHE COMPLET NOIR MAT	COMPLETE L SIDE PANEL BLACK					
5	NA1009	0UNJBS	COTE DROIT COMPLET NOIR MAT	COMPLETE R SIDE PANEL BLACK					
5	NA1033	0UNI63	COTE GAUCHE COMPLET GRIS GIVRE	COMPLETE L SIDE PANEL GREY			abc,def,gh,ijklm,n;o; p,q,r,s,t,u,v,w,x,y,z;a1; b1;c1;d1,e1,f1,g1		
5	NA1034	0UNI64	COTE DROIT COMPLET GRIS GIVRE	COMPLETE R SIDE PANEL GREY			abc,def,gh,ijklm,n;o; p,q,r,s,t,u,v,w,x,y,z;a1; b1;c1;d1,e1,f1,g1		
5	NA1035	0UNJBQ	COTE GAUCHE COMPLET BLANC BR.	COMPLETE L SIDE PANEL WHITE					
5	NA1036	0UNJBT	COTE DROIT COMPLET BLANC BR.	COMPLETE R SIDE PANEL WHITE					
5	NA1047	0UNJBR	COTE GAUCHE COMPLET OR NACRE	COMPLETE L SIDE GOLD PEARLY					
5	NA1048	0UNJBU	COTE DROIT COMPLET OR NACRE	COMPLETE R SIDE GOLD PEARLY					
6	NA4009	0UNI65	VIS M4 MAINTIEN COTE	HOLDING SIDE SCREW					



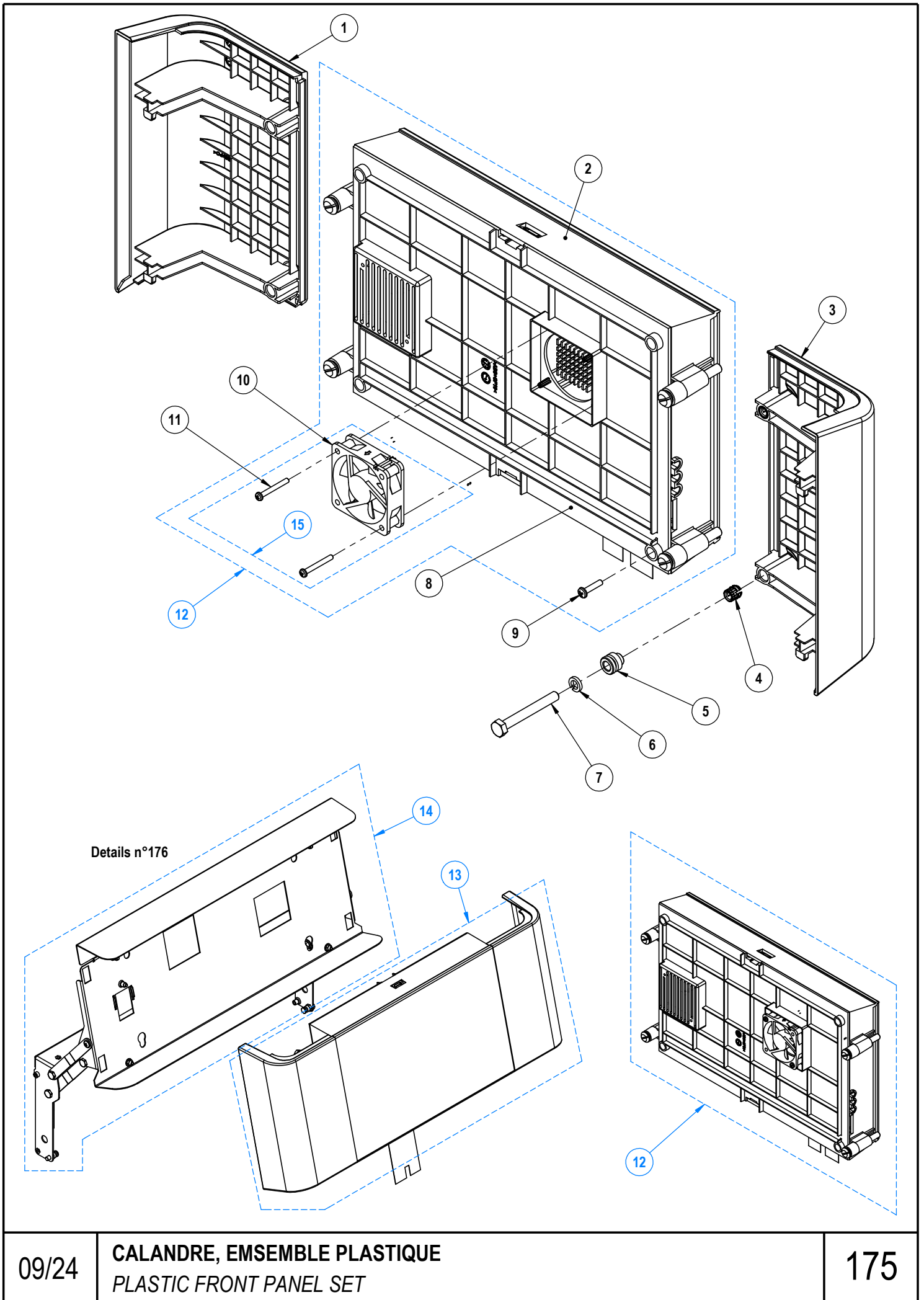
## PLANCHE - PLATE 171

Pos.	Fact. code	Code	Description FR	Description GB	V	W&T	REF.	NOTES	S/N BREAK
1	NA3001	0UNJFD	GRILLE BASSINE 1GR	1GR DRIP TRAY GRID			ef;it;n;o;p;q;r;s;t;u;v;w;e1;f1;g1		
1	NA3002	0UNI66	GRILLE BASSINE 2GR	2GR DRIP TRAY GRID			a;b;c;d;g;h;j;k;l;m;x;y;z;a1;b1;c1;d1		
2	SH28		VIS TH M6 X 16	SCREW M6 X 16					
3	NA7035	0UNJRV	JOUE BASSINE GAUCHE NOIR BR.	DRIP TRAY HOLDER LEFT					
4	NA7036	0UNJRW	JOUE BASSINE DROITE NOIR BR.	DRIP TRAY HOLDER RIGHT					
5	NA1004	0UNJDC	BASSINE 1GR ASSEMBLEE	DRIP TRAY 1GR ASSEMBLED			ef;it;n;o;p;q;e1;f1;g1		
5	NA1005	0UNI5S	BASSINE 2GR ASSEMBLEE	DRIP TRAY 2GR ASSEMBLED			a;b;c;d;g;h;j;k;l;m;d1		
5	NA1088	0UNJNO	BASSINE 1GR ASSEMBLEE EPR	DRIPTRAY 1GR ASSEMBLED EPR			r;s;t;u;v;w		
5	NA1089	0UNJHS	BASSINE 2GR ASSEMBLEE EPR	DRIPTRAY 2GR ASSEMBLED EPR			x;y;z;a1;b1;c1		



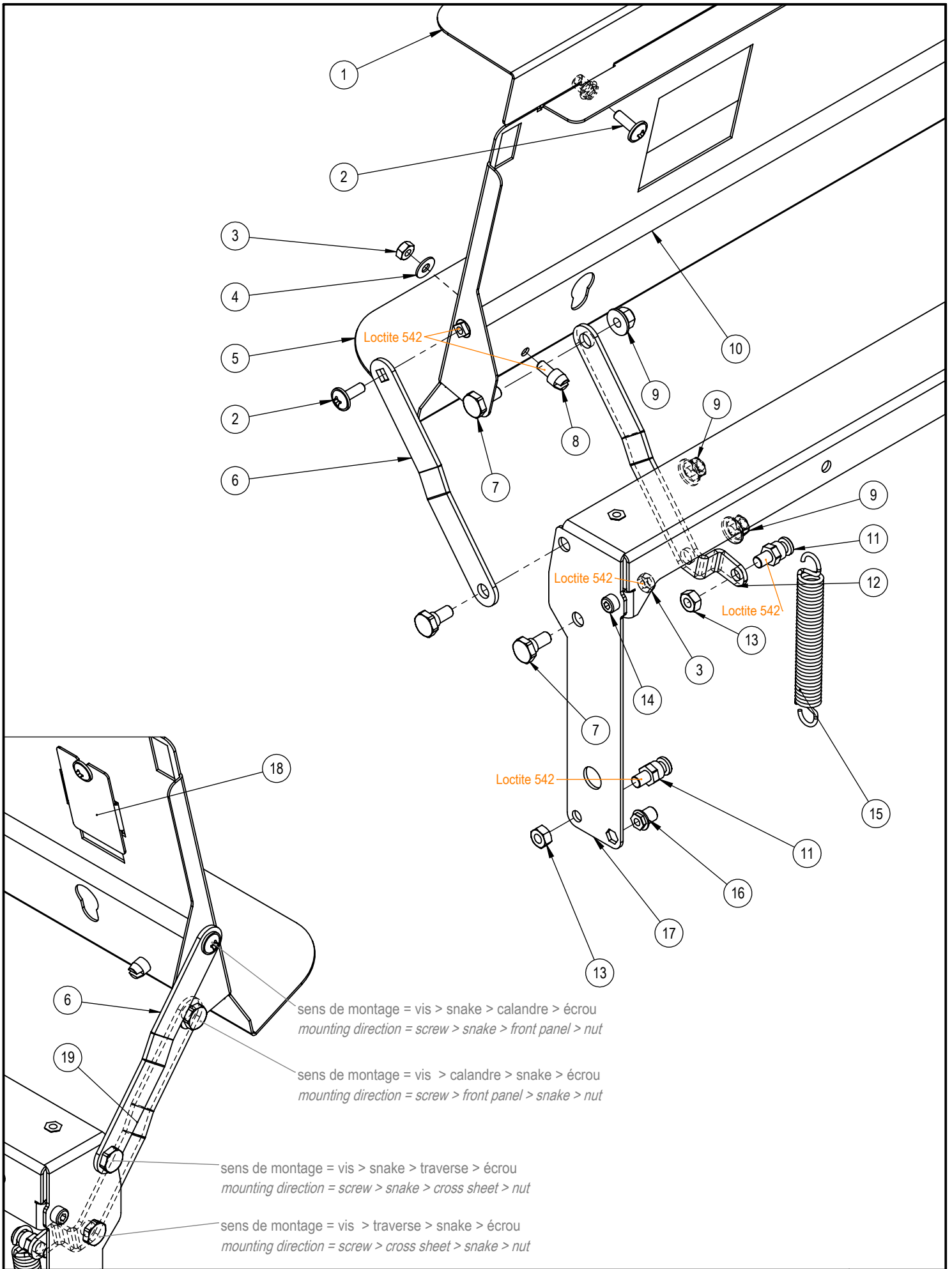
## PLANCHE - PLATE 172

Pos.	Fact. code	Code	Description FR	Description GB	V	W&T	REF.	NOTES	S/N BREAK
1	NA7022		CORPS BAC A MARC	DRAWER BODY					
2	NA4003		AIMANT B.A.M	MAGNET DRAWER					
3	50724		VIS PLASTIC TF N°6(3,5) X 13 INOX	PLASTIC SCREW TF N°6(3,5) X 13					
4	NA1049		FACE + POIGNEE BAM	FRONT PANEL + DRAWER HANDLE					
5	NA3006		FACE AVANT B.A.M	FRONT FINITION DRAWER					
6	50126	0UN615	VIS TB CRUCIFORME A EMBASE M4 x 12	CRUCIFORM SCREW M4 x 12				MOQ = 50	
7	NA4032		AIMANT CLOISON B.A.M 20x11,5x1	MAGNET ENCLOSURE 20x11,5x1					
8	NA7023	0UNJHE	CLOISONEMENT B.A.M	DRAWER ENCLOSURE					
9	43510	0UN081	LEVIER PLAT MICRORUPTEUR	LEVER FOR MICROSWITCH					
10	TG2085	0UNJC8	BARRETTE TARAUEE	THREADED CLIP					
11	CN526	0UN021	MINIRUPTEUR SECU EAU MARRON	WATER SAFETY MINI SWITCH					
12	CN31	0UNA3Q	VIS TC M3 X 20 INOX	SCREW M3 X 20					
13	NA2020	0UNJHK	TOLE CLOISENEMENT B.A.M.	ENCLOSURE SHEET			a;b;c;d;g;h;j;k;l;m;x;y;z;a1; b1;c1;d1		
14	NA3029	0UNI68	DEVANT 2GR GAUCHE	LEFT FRONT PANEL 2GR			a;b;c;d;g;h;j;k;l;m;x;y;z;a1; b1;c1;d1		
14	NA3032	0UNJPH	DEVANT 1GR GAUCHE	LEFT FRONT PANEL 1GR			e;f;i;n;o;p;q;r;s;t;u;v;w;e1;f1 ;g1		
15	NA3030	0UNI69	DEVANT 2GR DROIT	RIGHT FRONT PANEL 2GR			a;b;c;d;g;h;j;k;l;m;x;y;z;a1; b1;c1;d1		
15	NA3033	0UNJPI	DEVANT 1GR DROIT	RIGHT FRONT PANEL 2GR			e;f;i;n;o;p;q;r;s;t;u;v;w;e1;f1 ;g1		
16	NA3031	0UNI7A	DEVANT CENTRAL	CENTRAL FRONT PANEL			a;b;c;d;g;h;j;k;l;m;x;y;z;a1; b1;c1;d1		
17	NA3035	0UNJPJ	FINITION DESSOUS CALANDRE 1GR	UNDER DISPLAY FINISH 1GR			e;n;p;r;s;u;v;e1;f1;g1		
17	NA3036	0UNI7B	FINITION DESSOUS CALANDRE 2GR	UNDER DISPLAY FINISH 2GR			a;c;g;j;k;l;x;y;a1;b1		
17	NA3053	0UNJND	FINIT. DESSOUS CALANDRE 1 LAIT	UNDER DISPLAY FINISH 1GR, MILK			f;i;o;q;t;w		
17	NA3054	0UNJNE	FINIT. DESSOUS CALANDRE 2 LAIT	UNDER DISPLAY FINISH 2GR, MILK			b;d;h;m;z;c1;d1		
18	NA1006	0UNI67	BAC A MARC ASSEMBLE	DRAWER ASSEMBLED					
19	NA1059	0UNJE7	ENSEMBLE MINIRIPTEUR B.A.M.	SET MINI SWITCH FOR DRAWER					
20	NA1052	0UNJI2	ASM CLOISON B.A.M.	SUB ASSEMBLY DOOR DRAWER					



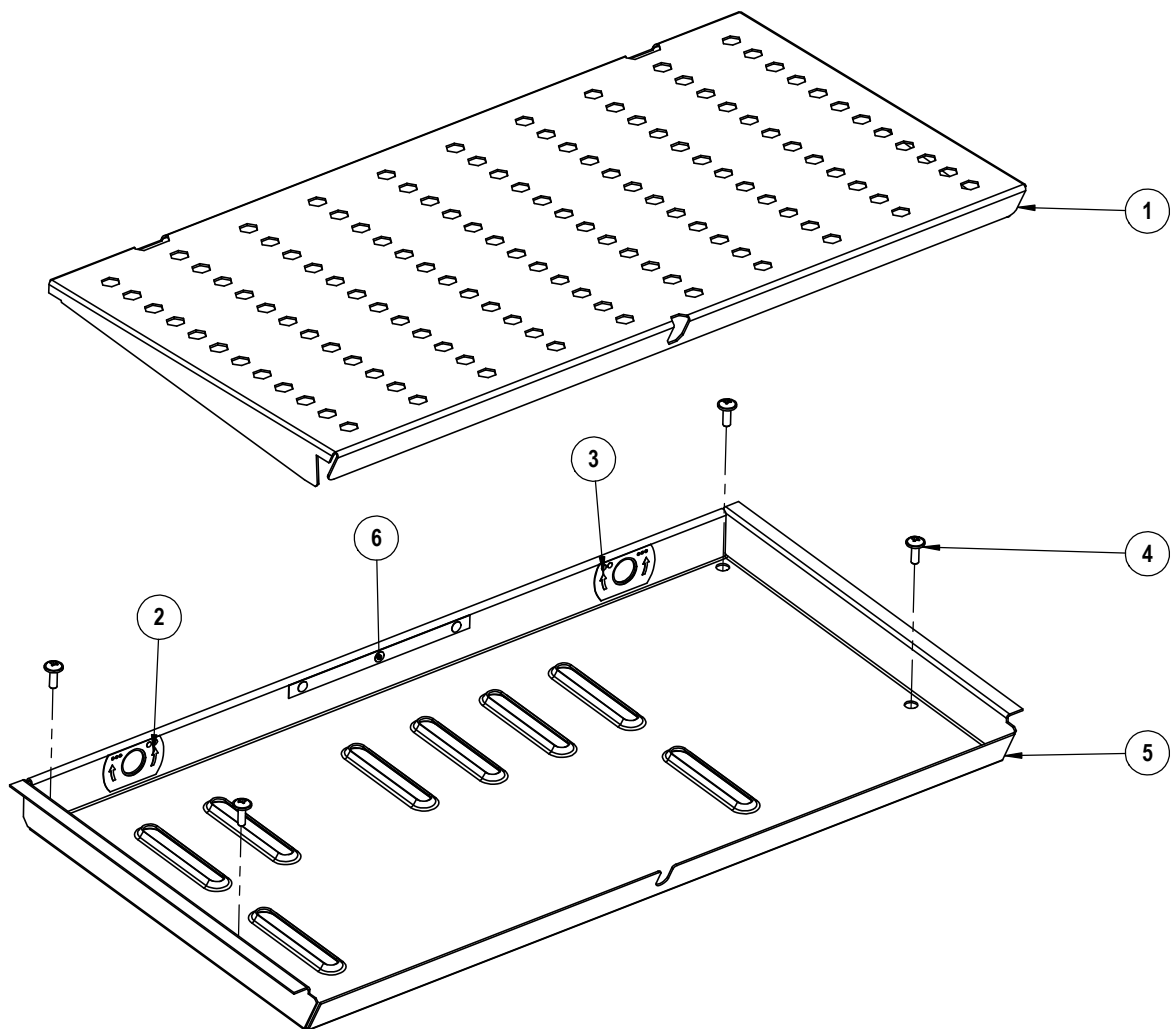
## PLANCHE - PLATE 175

Pos.	Fact. code	Code	Description FR	Description GB	V	W&T	REF.	NOTES	S/N BREAK
1	NA7003	0UNJLM	OREILLE DROITE 1GR	RIGHT TRIM 1 GROUP			ef;in;o;p;q;r;s;t;u;v;w;e1;f1;g1		
1	NA7005	0UNJLO	OREILLE DROITE 2GR	RIGHT TRIM 2 GROUPS			a;b;c;d;g;h;j;k;l;m;x;y;z;a1;b1;c1;d1		
2	NA7006		BOITIER ECRAN	SCREEN BOX					
3	NA7002	0UNJLL	OREILLE GAUCHE 1GR	LEFT TRIM 1 GROUP			ef;in;o;p;q;r;s;t;u;v;w;e1;f1;g1		
3	NA7004	0UNJLN	OREILLE GAUCHE 2GR	LEFT TRIM 2 GROUPS			a;b;c;d;g;h;j;k;l;m;x;y;z;a1;b1;c1;d1		
4	51352	0UNDLI	INSERT M6	INSERT M6					
5	NA4011	0UNJLF	ENTRETOISE FIXATION BOITIER	SPACER FIXING BOX					
6	51655	0UNA5W	RONDELLE GROWER DE 6	WASHER 6					
7	50307	0UNDK7	VIS TH M6 X 50	SCREW M6 X 50					
8	NA7007		COUVERCLE BOITE ECRAN	COVER SCREEN BOX					
9	50727		VIS PLASTIC TB (3,5) X 16	PLASTIC SCREW TB (3,5) X 16					
10	44321	0UN354	VENTILATEUR CABLE AVEC CONNECTEUR	FAN WITH WIRE					
11	50726	0UNJRX	VIS PLASTIC TB (3) X 25	PLASTIC SCREW TB (3) X 25					
12	NA1000	0UNI5P	UI ASSEMBLE	UI ASSEMBLED					
13	NA1040	0UNJO5	CALANDRE PLASTIQUE 1GR	PLASTIC FRONT PANEL 1GR			ef;in;o;p;q;r;s;t;u;v;w;e1;f1;g1		
13	NA1041	0UNJG9	CALANDRE PLASTIQUE 2GR	PLASTIC FRONT PANEL 2GR			a;b;c;d;g;h;j;k;l;m;x;y;z;a1;b1;c1;d1		
14	NA1061	0UNJRY	ASM SUPPORT CALANDRE 1GR	SET FRONT PANEL HOLDER 1GR			ef;in;o;p;q;r;s;t;u;v;w;e1;f1;g1		
14	NA1062	0UNJPK	ASM SUPPORT CALANDRE 2GR	SET FRONT PANEL HOLDER 2GR			a;b;c;d;g;h;j;k;l;m;x;y;z;a1;b1;c1;d1		
15	NA1106	0UNJU1	KIT VENTILATEUR + VIS	SCREWS + FAN KIT					



## PLANCHE - PLATE 176

Pos.	Fact. code	Code	Description FR	Description GB	V	W&T	REF.	NOTES	S/N BREAK
1	NA3041	0UNJPL	TOLE DESSUS CALANDRE 1GR	TOP DISPLAY SHEET 1GR			ef;in;o;p;q;r;s;t;u;v;w;e1;f1;g1		
1	NA3042	0UNI7C	TOLE DESSUS CALANDRE 2GR	TOP DISPLAY SHEET 2GR			a;b;c;d;g;h;j;k;l;m;x;y;z;a1;b1;c1;d1		
2	50126	0UN615	VIS TB CRUCIFORME A EMBASE M4 x 12	CRUCIFORM SCREW M4 x 12				MOQ = 50	
3	PG14	0UN277	ECROU M4	NUT M4					
4	PG15B	0UNA3S	RONDELLE INOX 4.2X10X0.8	WASHER					
5	NA3038		TOLE SUPPORT CALANDRE 1GR	HOLDER DISPLAY SHEET 1GR			ef;in;o;p;q;r;s;t;u;v;w;e1;f1;g1		
5	NA3039		TOLE SUPPORT CALANDRE 2GR	HOLDER DISPLAY SHEET 2GR			a;b;c;d;g;h;j;k;l;m;x;y;z;a1;b1;c1;d1		
6	NA2016		SNAKE AXE RENFORT	REINFORCED AXLE SNAKE					
7	NA4013	0UNJPM	VIS ÉPAULÉE TH M5	SCREW TH M5					
8	FR4056	0UN462	VIS SPECIAL COTE	SIDE SCREW					
9	51101	0UNA5V	ECROU M5 INOX	NUT M5					
10	NA4012		AXE RAIDISSEUR CALANDRE 2GR	STIFFENER AXIS FRONT PANEL			a;b;c;d;g;h;j;k;l;m;x;y;z;a1;b1;c1;d1		
10	NA4042		AXE RAIDISSEUR CALANDRE 1GR	STIFFENER AXIS FRONT PANEL 1GR			ef;in;o;p;q;r;s;t;u;v;w;e1;f1;g1		
11	NA4040	0UNJPN	AXE RESSORT CALANDRE	SPRING AXLE FOR FRONT PANEL					
12	NA2015	0UNJPO	SNAKE STANDARD DROIT	RIGHT STANDARD SNAKE					
13	51100	0UNA5V	ECROU M5 INOX	NUT M5					
14	PE59	0UN201	VIS TCHC M4x10 INOX	SCREW 4 X 10					
15	NA4041	0UNJPP	RESSORT CALANDRE	SPRING FOR FRONT PANEL					
16	51065		ECROU A SERTIR M4 INOX	NUT TO CRIMP M4 STAINLESS STEEL					
17	NA2013		TRAVERSE CALANDRE 1GR	FRONT PANEL CROSSING SHEET 1GR			ef;in;o;p;q;r;s;t;u;v;w;e1;f1;g1		
17	NA2014		TRAVERSE CALANDRE 2GR	FRONT PANEL CROSSING SHEET 2GR			a;b;c;d;g;h;j;k;l;m;x;y;z;a1;b1;c1;d1		
18	NA2048		TOLE CACHE CABLE CALANDRE	CABLE HIDING SHEET					
19	NA2019		SNAKE STANDARD GAUCHE	LEFT STANDARD SNAKE					



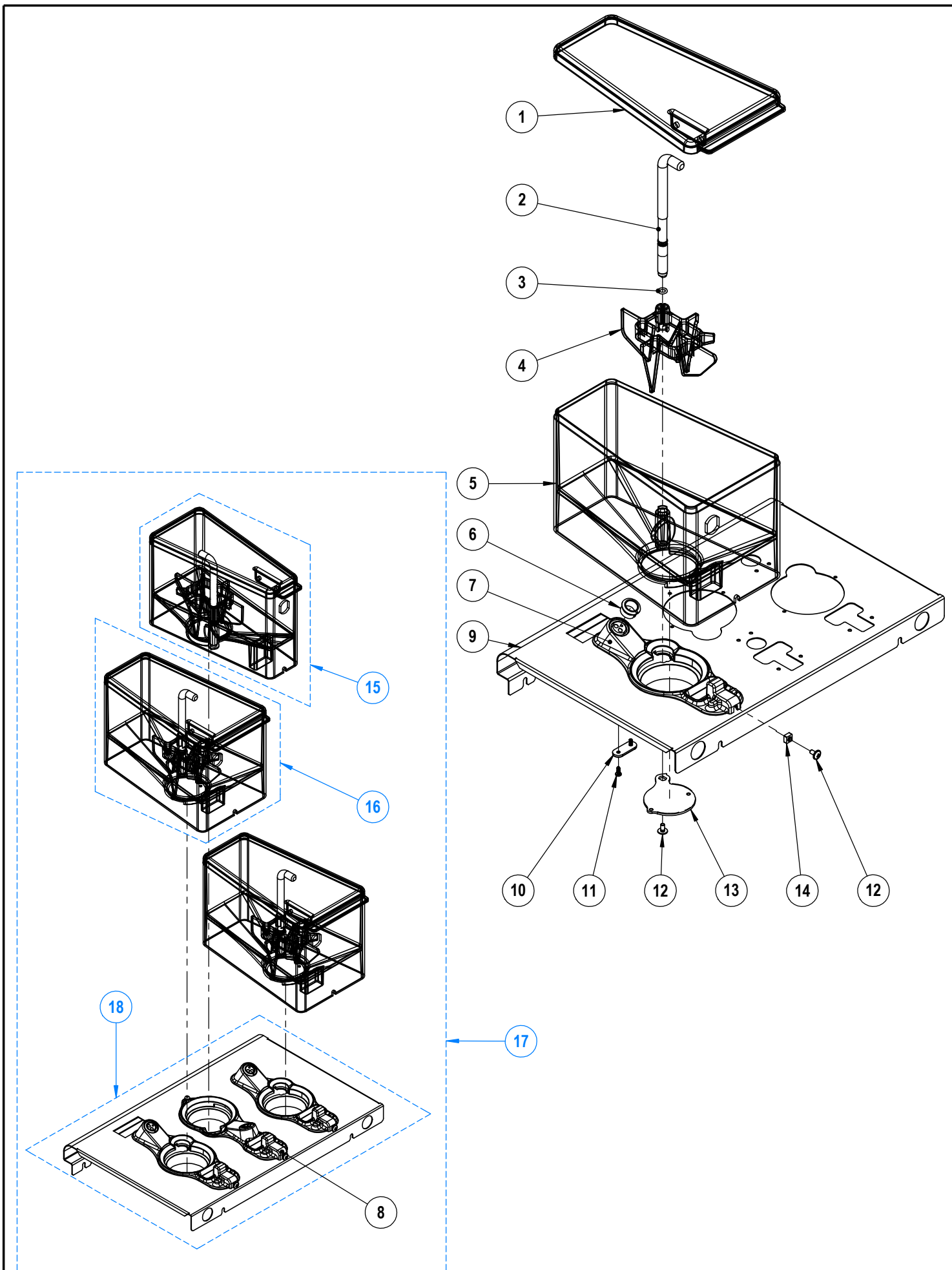
09/24

**CHAUFFE TASSES**  
CUP WARMER

180

## PLANCHE - PLATE 180

Pos.	Fact. code	Code	Description FR	Description GB	V	W&T	REF.	NOTES	S/N BREAK
1	NA3017	0UNJNG	VERRIERE 1GR	1GR CUPS RACK			e,f,i;n;o;p,q;r;s,t,u,v,w,e1,f1;g1		
1	NA3018	0UNI7D	VERRIERE 2GR	2GR CUPS RACK			a,b,c,d,g,h;j,k;l,m;x,y,z;a1;b1;c1;d1		
2	46323	0UNJPQ	STICKER REGLAGE MOULIN GAUCHE TANGO XP	LEFT GRINDER SETTING STICKER					
3	46324	0UNJPR	STICKER REGLAGE MOULIN DROIT TANGO XP	RIGHT GRINDER SETTING STICKER					
4	50126	0UN615	VIS TB CRUCIFORME A EMBASE M4 x 12	CRUCIFORM SCREW M4 x 12				MOQ = 50	
5	NA3014	0UNJNH	CHAUFFE TASSES 1GR	1GR CUPS WARMER			e,f,i;n;o;p,q;r;s,t,u,v,w,e1,f1;g1		
5	NA3015	0UNI7E	CHAUFFE TASSES 2GR	2GR CUPS WARMER			a,b,c,d,g,h;j,k;l,m;x,y,z;a1;b1;c1;d1		
6	46322		STICKER COULEURS MOULINS TANGO XP	GRINDERS STICKER					

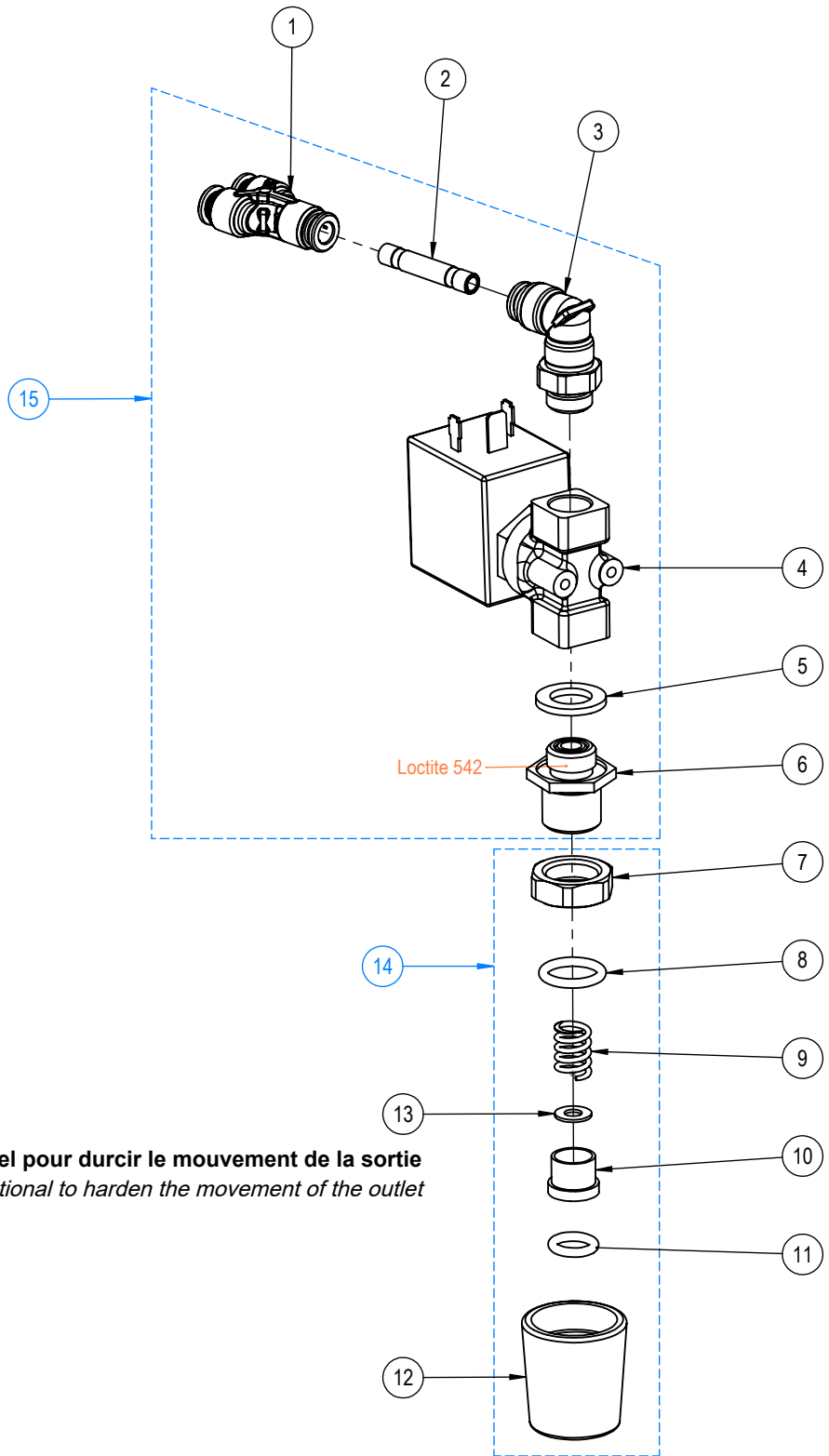
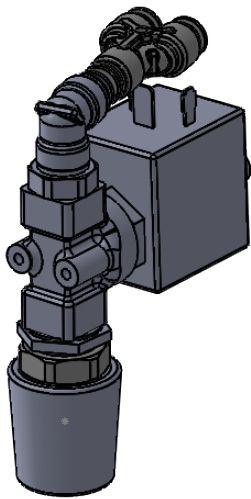


09/24

**ENSEMBLE TREMIERS UL**  
*HOPPERS UNIT*

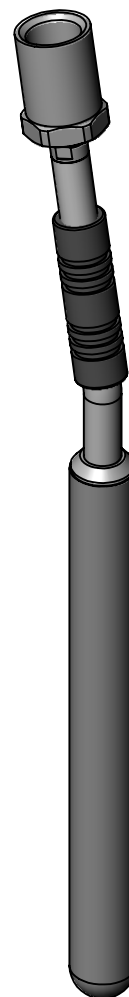
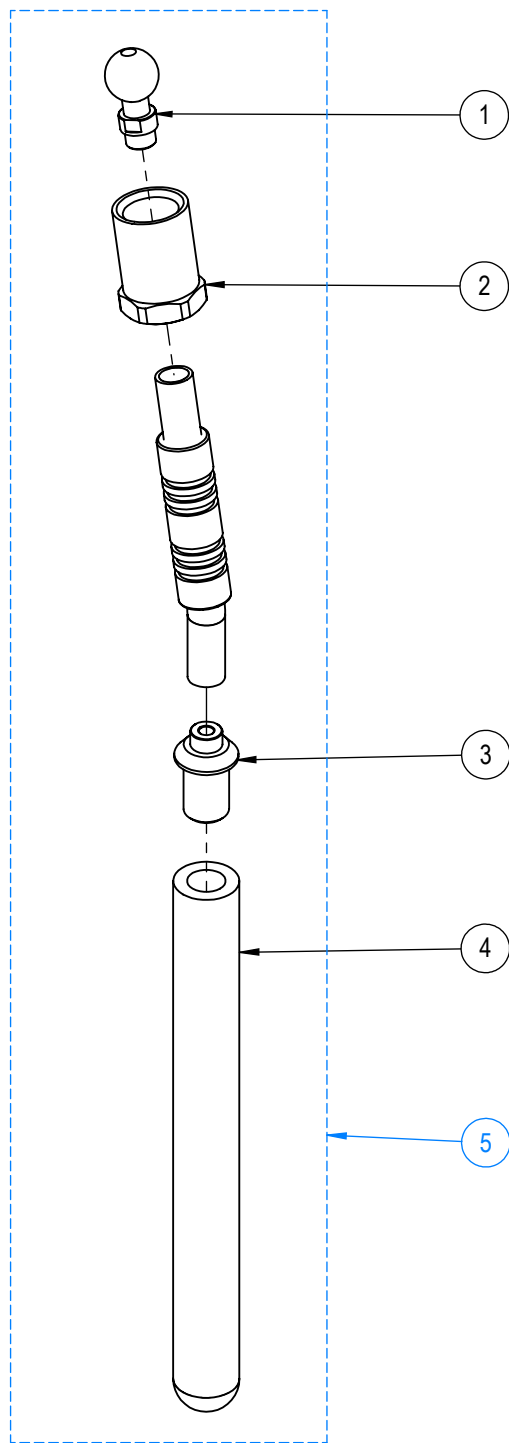
## PLANCHE - PLATE 186

Pos.	Fact. code	Code	Description FR	Description GB	V	W&T	REF.	NOTES	S/N BREAK
1	NA7042	0UNJPS	COUVERCLE PETITE TREMIE AMELIORE	COVER SMALL HOPPER UPGRADED					
1	NA7043	0UNJPT	COUVERCLE GRANDE TREMIE AMELIORE	COVER BIG HOPPER UPGRADED					
2	NA4002	0UNJPU	AXE ROTATIF TREMIE	ROTOR AXLE HOPPER					
3	CN198	0UN178	JOINT TORIQUE 1,78X6,07 FKM	GASKET - 6.07 x 1.78					
4	NA7048	0UNJPV	GRILLE PROTECTION TREMIE	HOPPER PROTECTION GRID					
5	NA7040		PETITE TREMIE AMELIORE	SMALL HOPPER UPGRADED					
5	NA7041	0UNJPW	GRANDE TREMIE AMELIORE	BIG HOPPER UPGRADED					
6	FR4190	0UN942	SUPPORT CELLULE TREMIE	SENSOR HOLDER					
7	NA7045	0UNJO9	INTERFACE GRANDE TREMIE	INTERFACE BIG HOPPER					
8	NA7044	0UNJPA	INTERFACE PETITE TREMIE	INTERFACE SMALL HOPPER					
9	NA3025	0UNJRZ	CASQUETTE 2 TREMIES 1GR	2 HOPPERS TOP PLATE 1GR			e,f,n,o,r,s,tg1		
9	NA3026	0UNJO8	CASQUETTE 3 TREMIES 1GR	3 HOPPERS TOP PLATE 1GR			i,p,q,u,v,w,e1,f1		
9	NA3027	0UNJPX	CASQUETTE 2 TREMIES 2GR	2 HOPPERS TOP PLATE 2GR			a,b,g,h,j,x,y,z,d1		
9	NA3028	0UNJO7	CASQUETTE 3 TREMIES 2GR	3 HOPPERS TOP PLATE 2GR			c,d,k,l,m,a1;b1c1		
10	NA7049	0UNJPY	GUIDE OBTURATEUR TREMIE	SKATE BLADE GUIDE					
11	50703	0UNDLF	VIS PARKER N6 9.5 SP CRUCIF.	PARKER SCREW					
12	50125	0UNA68	VIS TB CRUCIFORME A EMBASE M4 x 8	CRUCIFORM SCREW M4 x 8				MOQ = 50	
13	NA2042	0UNJPZ	OBTURATEUR DE TREMIE	HOPPER CLOSING BLADE					
14	TG4004	0UN587	ECROU INSERT	INSERT NUT					
15	NA1110	0UNJJZ	ENSEMBLE PETITE TREMIE AMELIORE	SMALL HOPPER ASSEMBLED					
16	NA1111	0UNJK0	ENSEMBLE GRANDE TREMIE AMELIORE	BIG HOPPER ASSEMBLED					
17	NA1112	0UNJK1	KIT TREMIE AMELIORE SOLO 2 MOULINS	HOPPER SOLO 2 GRINDERS KIT			e,f,n,o,r,s,tg1		
17	NA1113	0UNJK2	KIT TREMIE AMELIORE SOLO 3 MOULINS	HOPPER SOLO 3 GRINDERS KIT			i,p,q,u,v,w,e1,f1		
17	NA1114	0UNJK3	KIT TREMIE AMELIORE DUO 2 MOULINS	HOPPER DUO 2 GRINDERS KIT			a,b,g,h,j,x,y,z,d1		
17	NA1115	0UNJK4	KIT TREMIE AMELIORE DUO 3 MOULINS	HOPPER DUO 3 GRINDERS KIT			c,d,k,l,m,a1;b1c1		
18	NA1116	0UNJTX	KIT CASQUETTE 2 TREMIES 1GR	2 HOPPERS TOP PLATE 1GR KIT			e,f,n,o,r,s,tg1		
18	NA1117	0UNJTY	KIT CASQUETTE 3 TREMIES 1GR	3 HOPPERS TOP PLATE 1GR KIT			i,p,q,u,v,w,e1,f1		
18	NA1118	0UNJTZ	KIT CASQUETTE 2 TREMIES 2GR	2 HOPPERS TOP PLATE 2GR KIT			a,b,g,h,j,x,y,z,d1		
18	NA1119	0UNJU0	KIT CASQUETTE 3 TREMIES 2GR	3 HOPPERS TOP PLATE 2GR KIT			c,d,k,l,m,a1;b1c1		



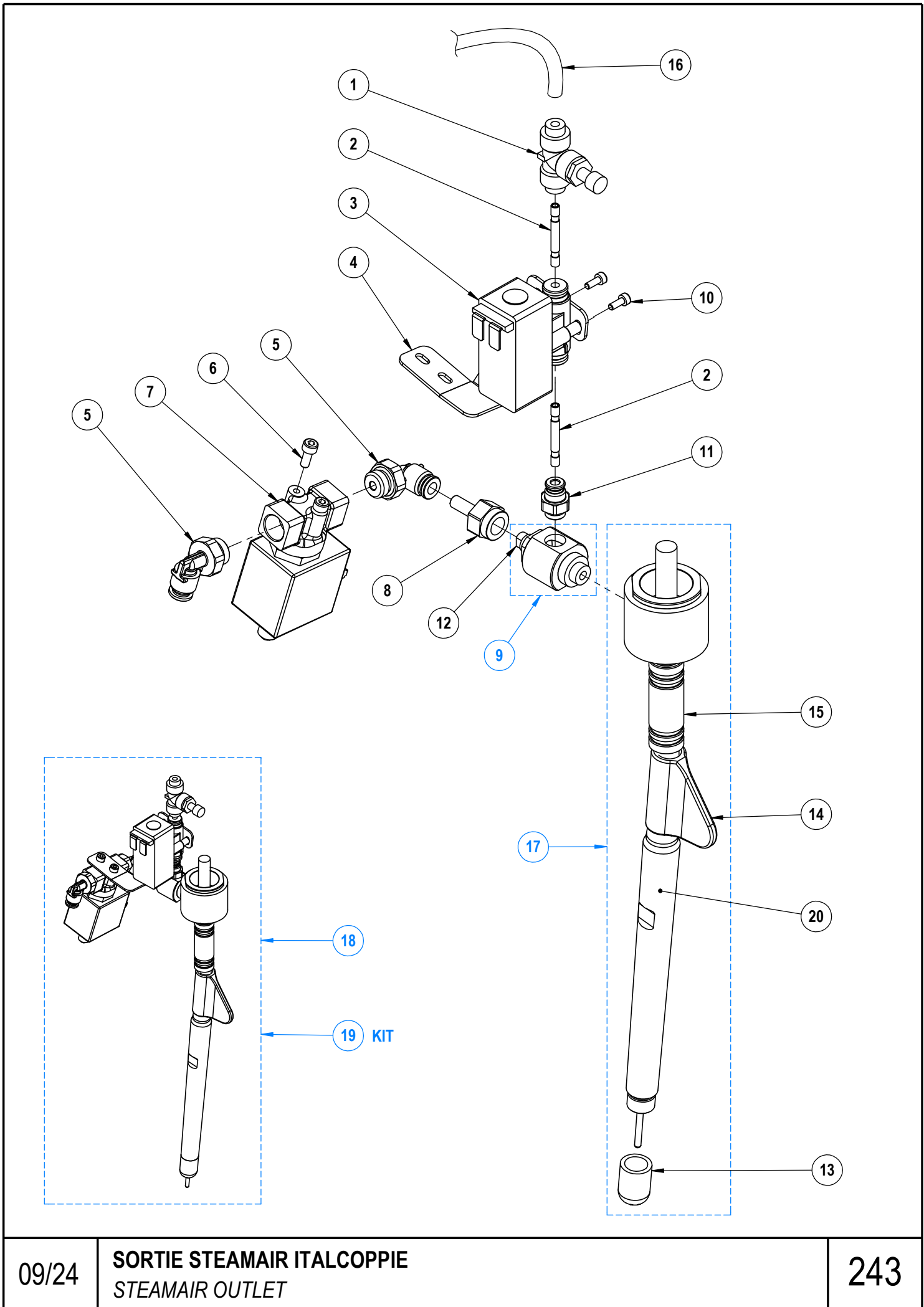
## PLANCHE - PLATE 202

Pos.	Fact. code	Code	Description FR	Description GB	V	W&T	REF.	NOTES	S/N BREAK
1	23258	0UNJC1	RACCORD Y - D6 - INOX	FITTING Y D6					
2	23253	0UNJC4	TIGE CONNEXION 2x D6 INOX	CONNECTION ROD 2x D6 STAINLESS STEEL					
3	23250	0UNJC3	COUDE 90° G1/4 MALE -D6 - INOX	STAINLESS STEEL FITTING ELBOW					
4	35145	0UN654	ELECTROVANNE 3/2 24V-50/60 NICKELEE	ELECTROVALVE 3/2 24V-50/60 NICKEL-PLATED					
5	28352	0UN017	JOINT PLAT 20X12X2 EPDM 70SH	GASKET 20X12X2					
6	DV171A	0UNJLC	RACCORD 3/8-1/4	FITTING 3/8					
7	DV170	0UN645	ECROU CHROME	NUT 3/8					
8	PH54	0UN133	JOINT TORIQUE 2,62X13,95 EPDM	O RING - 13.95 x 2.62					
9	PA43	0UN199	RESSORT F15/10 L14,5 D10,5 P3	SPRING					
10	RR67A	0UN210	EMBOUT LAITON	BRASS END					
11	PH78	0UN202	JOINT TORIQUE 2,62X9,13 EPDM	O RING - 9.13 X 2.62					
12	25915	0UN531	CACHE SORTIE EAU VAPEUR	COVER OUTLET STEAM WATER					
13	AG14	0UN176	JOINT CUIVRE M12	COPPER GASKET					
14	NA1063	0UNJU3	KIT SORTIE	OUTLET KIT					
15	NA1024	0UNI7F	EV VAPEUR	STEAM EV			a;b;c;d;e;f;i;r;t;u;w;x;z;a1; c1,e1		



## PLANCHE - PLATE 222

Pos.	Fact. code	Code	Description FR	Description GB	V	W&T	REF.	NOTES	S/N BREAK
1	25932		EMBOUT POUR TUBE	TIP FOR PIPE					
2	25933		ECROU POUR TUBE	NUT FOR PIPE					
3	25958	0UNJM8	RACCORD TEFLON NOIR M8	FITTING M8					
4	25957	0UNJM7	EMBOUT TEFLON NOIR XP	PIPE TANGO XP					
5	25954	0UNJFQ	SORTIE VAPEUR TANGO XP	STEAM OUTLET TANGO XP			a,b,c,d,e,f,i,j,r,t,u,w,x,z,a1; c1,e1		



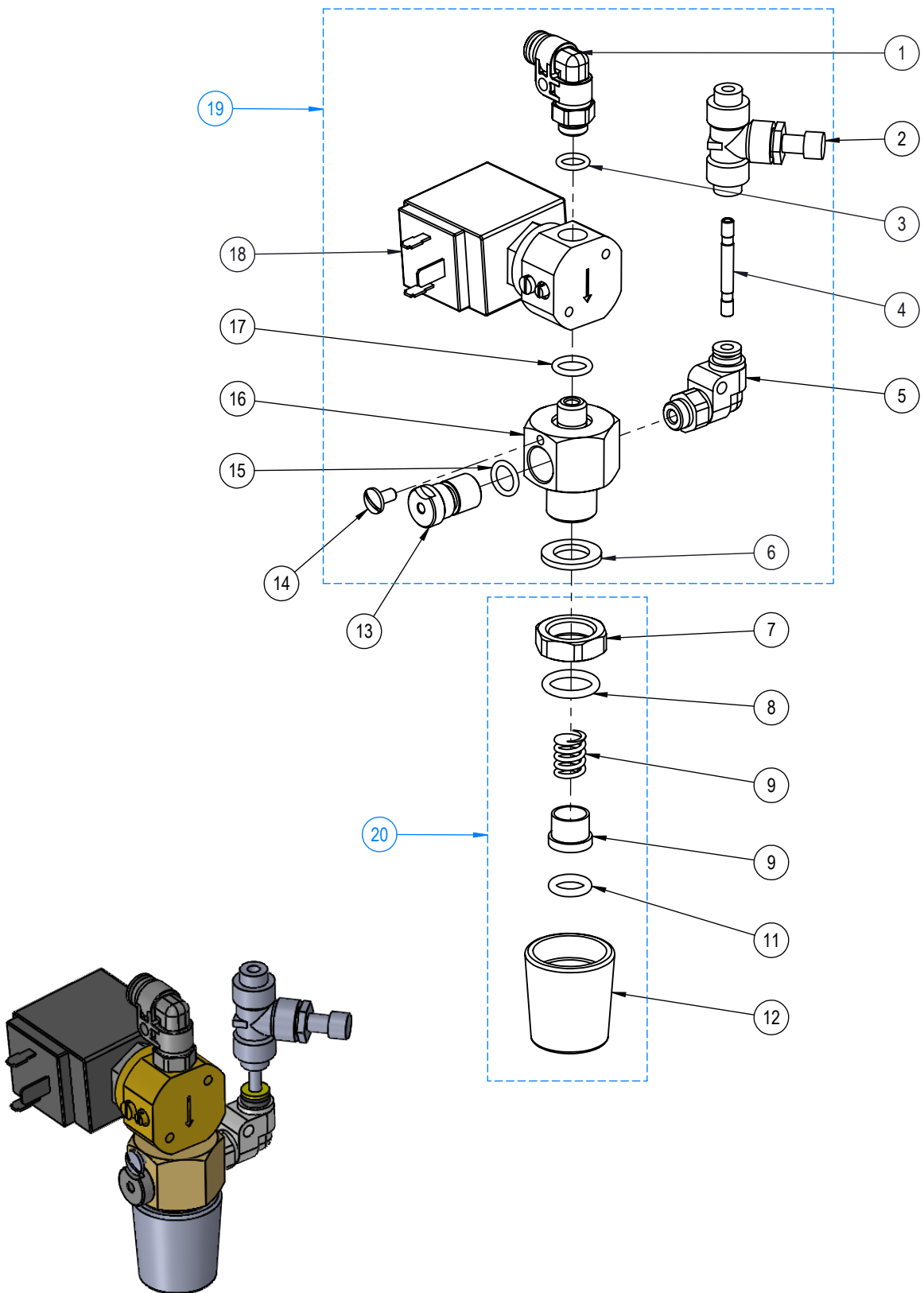
09/24

**SORTIE STEMAIR ITALCOPPIE**  
 STEMAIR OUTLET

243

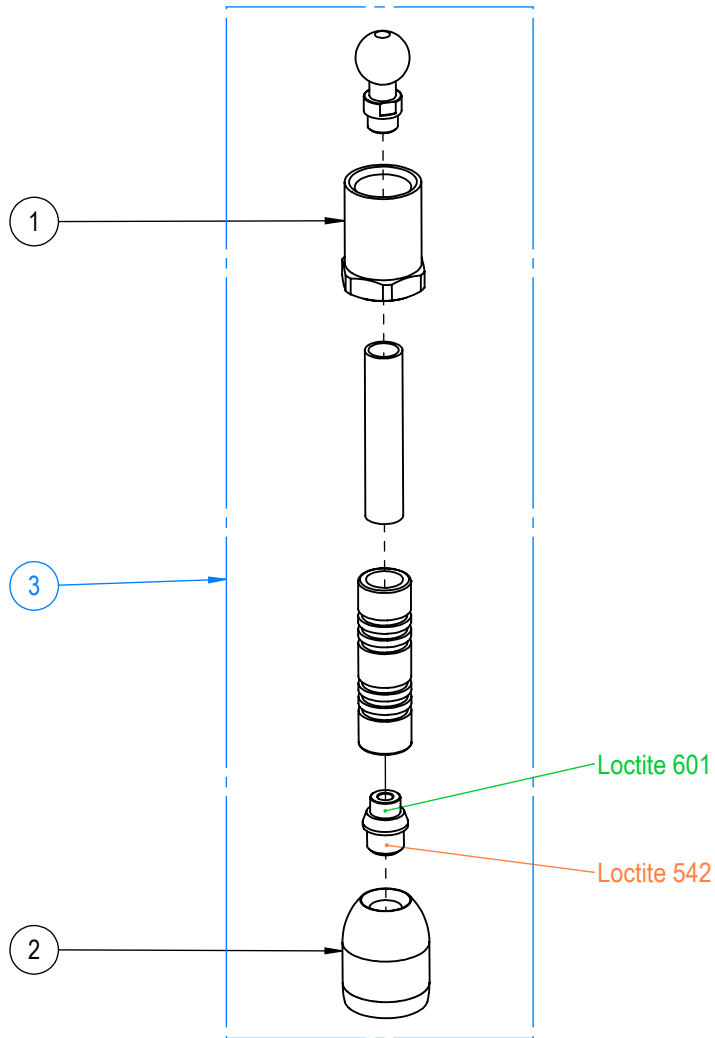
## PLANCHE - PLATE 243

Pos.	Fact. code	Code	Description FR	Description GB	V	W&T	REF.	NOTES	S/N BREAK
1	23619	0UN044	REGLAGE AIR MICROMETRIQUE C/F D:4 F-F	SETTING AIR HOT/COLD D:4 F-F					
2	23208	0UNJC9	TIGE CONNEXION 2x D4 INOX	CONNECTION ROD 2x D4 STAINLESS STEEL					
3	35504	0UNI9N	EV 24V DC D4FF DN1,5	2 WAYS 24VDC Ø4FF DN1,5					
4	NA2030		SUPPORT EV STEAMAIR	STEAMAIR ELECTROVALVE HOLDER					
5	23250	0UNJC3	COUDE 90° G1/4 MALE -D6 - INOX	STAINLESS STEEL FITTING ELBOW					
6	PE59	0UN201	VIS TCHC M4x10 INOX	SCREW 4 X 10					
7	35145	0UN654	ELECTROVANNE 3/2 24V-50/60 NICKEELE	ELECTROVALVE 3/2 24V-50/60 NICKEL-PLATED					
8	NA4072		RACCORD EV STEAMAIR	STEAMAIR VALVE CONNECTOR					
9	25956		RACCORD PRISE D'AIR VAPEUR TANGO XP	AIR/STEAM FITTING					
10	CN306	0UN997	VIS INOX TCHC 3 x 8	SCREW M3 X 8					
11	23203	0UNI7Q	RACCORD G1/8 MALE - D4 - INOX	STAINLESS STEEL FITTING G1/8M D4					
12	25961	0UNJHL	GICLEUR STEAMAIR Ø2,2	NOZZLE					
13	25965	0UNJHN	EMBOUT 10X1,5	SPRINKLER 10X1.5					
14	25963	0UNJHM	PROTECTION LANGUETTE	PROTECTION					
15	25962		PROTECTION CYLINDRIQUE	CYLINDRIC PROTECTION					
16	NA6503		TUBE steamair 450mm + silicone	450mm pipe + silicone					
17	25955		SORTIE STEAMAIR TANGO XP	STEAMAIR OUTLET TANGO XP			g,h,j,k,l,m,n,o,p,q,s,v,y,b1; d1,f1,g1		
18	NA1086	0UNJFE	SORTIE STEAMAIR NEXT GEN	NEXT GEN STEAMAIR OUTLET			g,h,j,k,l,m,n,o,p,q,s,v,y,b1; d1,f1,g1		
19	NA1105	0UNJJV	Kit Steamair XP	STEAMAIR XP KIT			g,h,j,k,l,m,n,o,p,q,s,v,y,b1; d1,f1,g1		
20	25950		TUBE AVANT EMBOUT STEAMAIR	STEAMAIR PIPE					



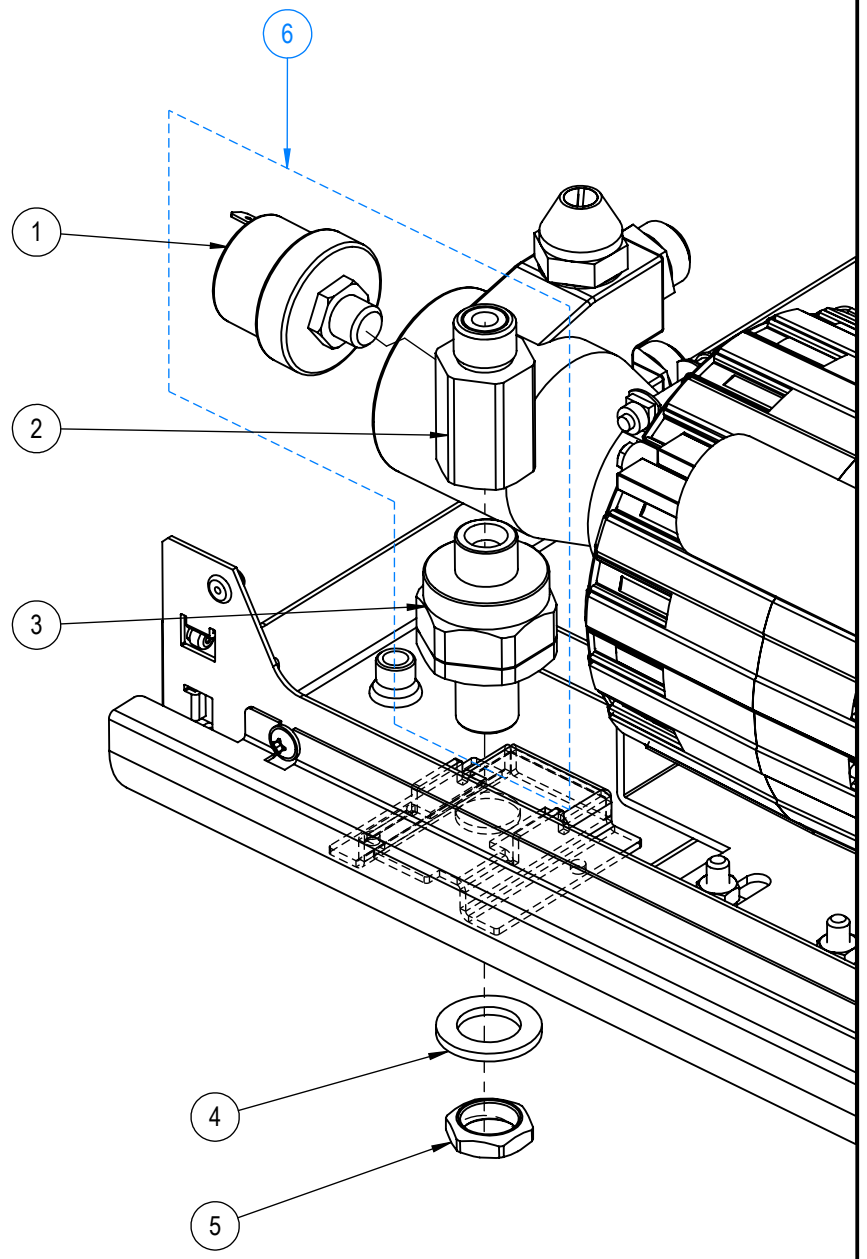
## PLANCHE - PLATE 252

Pos.	Fact. code	Code	Description FR	Description GB	V	W&T	REF.	NOTES	S/N BREAK
1	23650	0UNJLZ	RACCORD COUDÉ G1/8male D6	90° elbow adaptor G1/8male D6					
2	23619	0UN044	REGLAGE AIR MICROMETRIQUE C/F D:4 F-F	SETTING AIR HOT/COLD D:4 F-F					
3	NA47	0UNFVP	JOINT TORIQUE 1.78X7.66 EPDM	O RING - 1.78 X 7.66 EPDM					
4	23208	0UNJC9	TIGE CONNEXION 2x D4 INOX	CONNECTION ROD 2x D4 STAINLESS STEEL					
5	23615	0UN120	RACCORD RAPIDE COUDE D:4 F-1/8G	ELBOW QUICK FITTING D:4 F-1/8G					
6	28352	0UN017	JOINT PLAT 20X12X2 EPDM 70SH	GASKET 20X12X2					
7	DV170	0UN645	ECROU CHROME	NUT 3/8					
8	PH54	0UN133	JOINT TORIQUE 2,62X13,95 EPDM	O RING - 13.95 x 2.62					
9	PA43	0UN199	RESSORT F15/10 L14,5 D10,5 P3	SPRING					
10	RR67A	0UN210	EMBOUT LAITON	BRASS END					
11	PH78	0UN202	JOINT TORIQUE 2,62X9,13 EPDM	O RING - 9,13 X 2,62					
12	25915	0UN531	CACHE SORTIE EAU VAPEUR	COVER OUTLET STEAM WATER					
13	FR4138	0UN923	BOUCHON MELANGEUR	MIXER CAP					
14	ID129	0UNA5Z	VIS INOX POELIER VM 4 X 8	SCREW 4 X 8					
15	CN436	0UN145	JOINT TORIQUE 1,78X8,73 EPDM	GASKET 8,73 X 1,78					
16	FR4136	0UN375	RACCORD SORTIE EAU MITIGEE	MIXED WATER FITTING					
17	28104	0UN146	JOINT TORIQUE 2X9,5 FKM 80SH	GASKET 2X9,5					
18	35515	0UN551	EV 2 VOIES 24V 50-60HZ NSF	EV 2 WAYS 24V 50-60HZ NSF					
19	NA1023	0UNI7G	EV EAU CHAUDE	HOT WATER EV					
20	NA1063	0UNJU3	KIT SORTIE	OUTLET KIT					



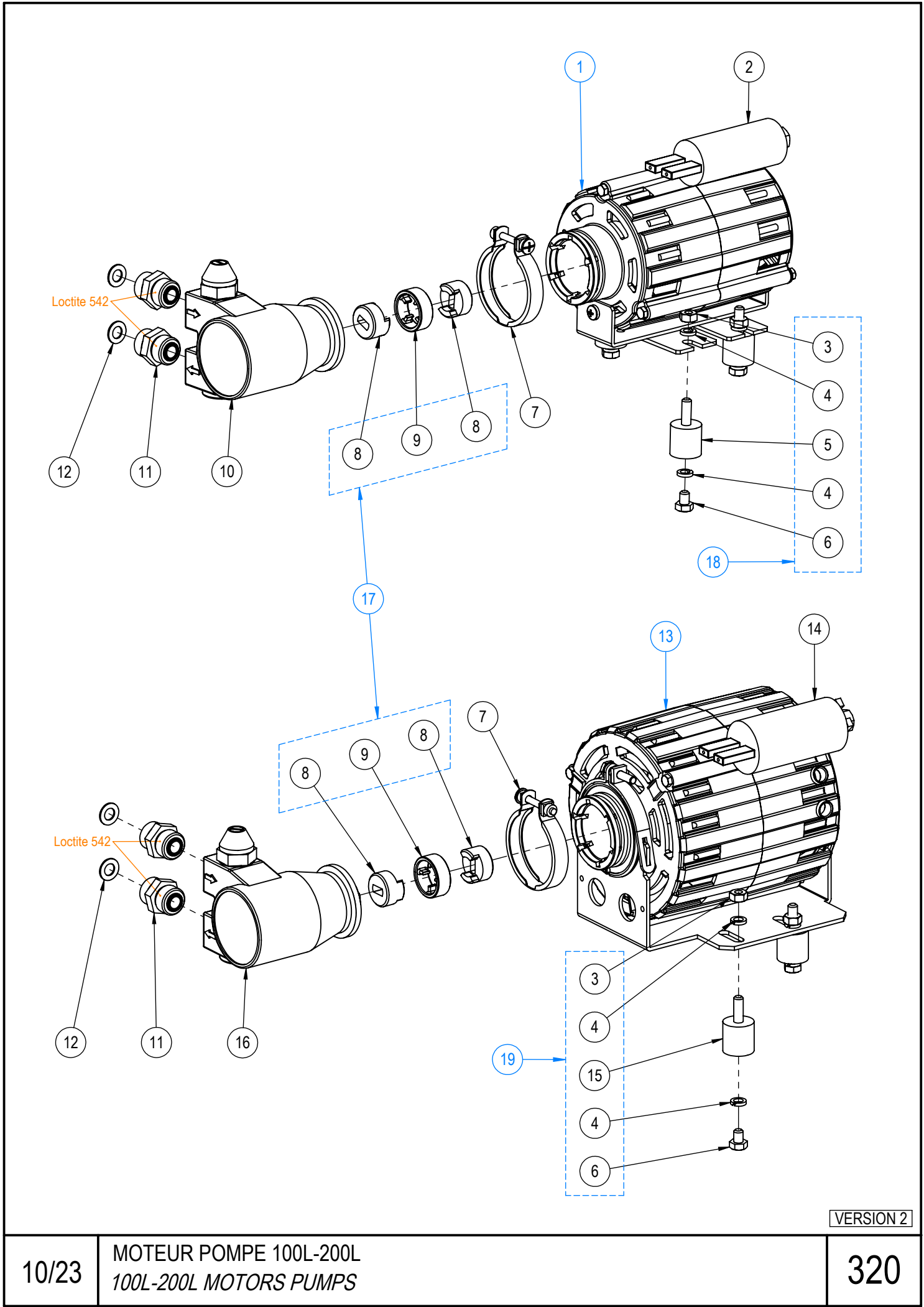
## PLANCHE - PLATE 260

Pos.	Fact. code	Code	Description FR	Description GB	V	W&T	REF.	NOTES	S/N BREAK
1	25933		ECROU POUR TUBE	NUT FOR PIPE					
2	25716	0UNC1X	BRISE JET POUR TUBE INOX EAU CHAUDE	WINDSHIELD FOR HOT WATER PIPE					
3	25732	0UNI7H	SORTIE EAU CHAUDE TANGO	HOT WATER OUTLET					



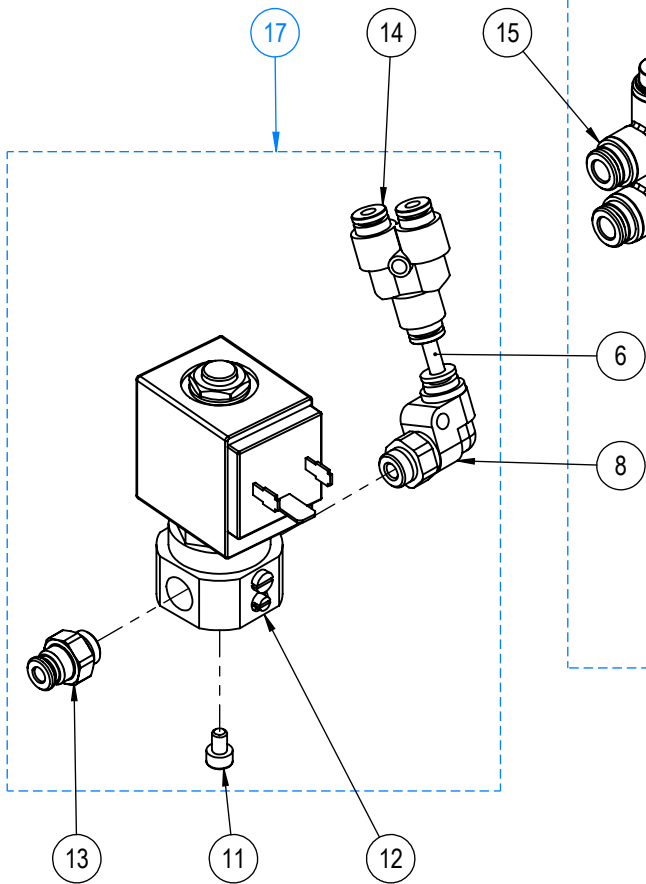
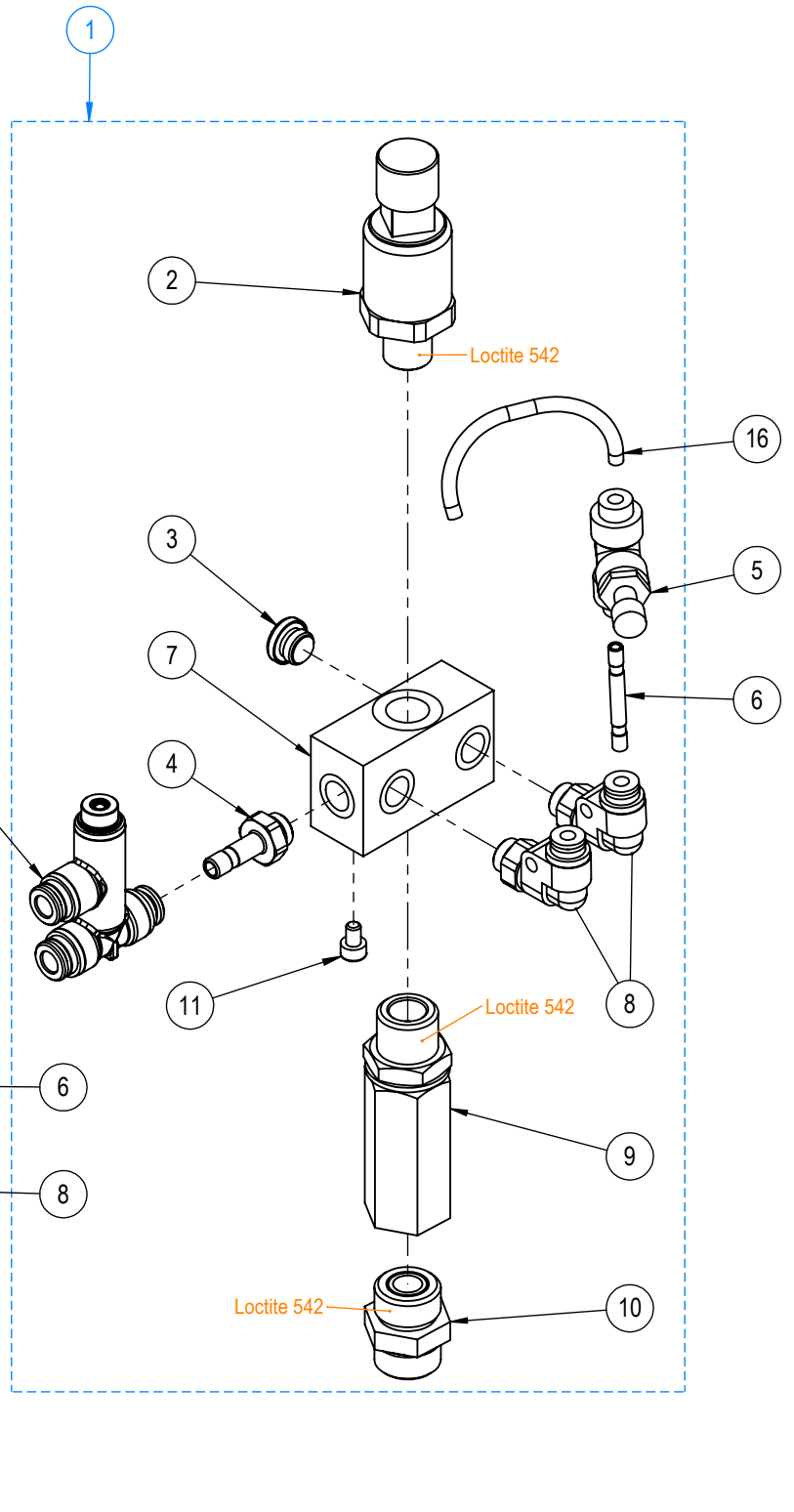
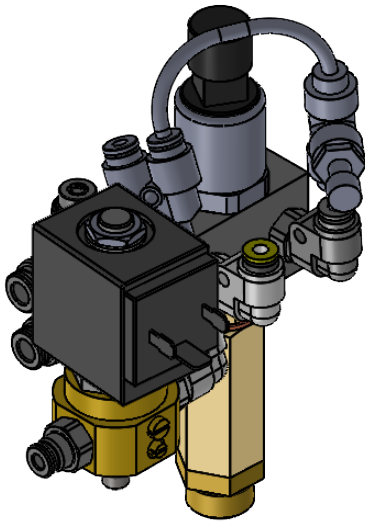
## PLANCHE - PLATE 311

Pos.	Fact. code	Code	Description FR	Description GB	V	W&T	REF.	NOTES	S/N BREAK
1	33705	0UNI5V	PRESSOSTAT 1-5 BAR GP600	PRESSURESTAT 1-5 BAR GP600					
2	NA4031	0UNJQ0	RACCORD CAPTEUR SECU EAU	WATER SAFETY FITTING					
3	25402	0UNC1V	FILTRE ENTRÉE D'EAU 3/8	WATER FILTER 3/8					
4	CN544	0UN901	RONDELLE ACIER ZN 17 x 28 x 2	WASHER					
5	NA18	0UN697	ECROU LAITON 3/8 6 mm	3/8 NUT					
6	NA1032	0UNI7I	ASM FILTRE ENTREE D'EAU	INLET FILTER WATER SET					



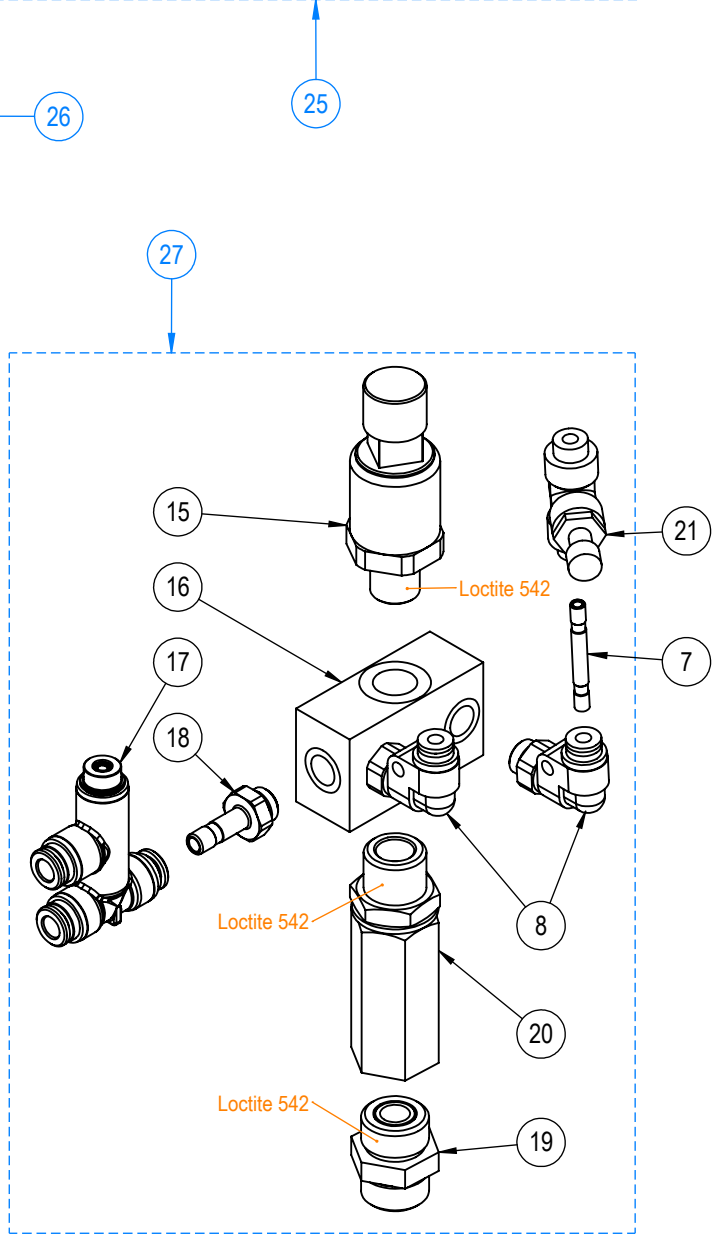
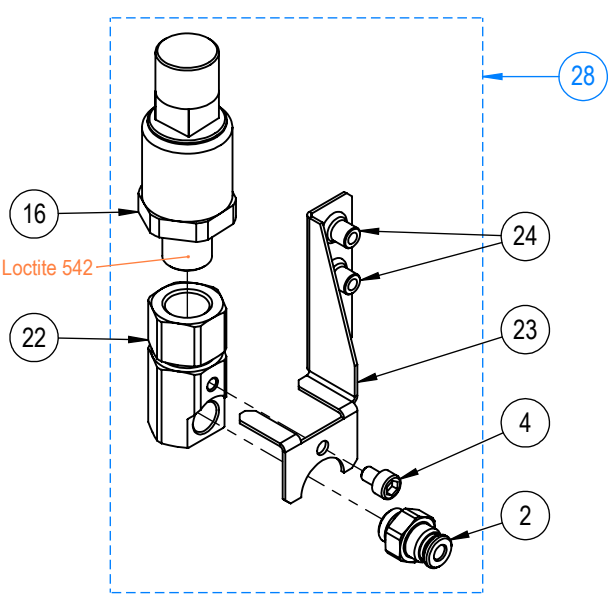
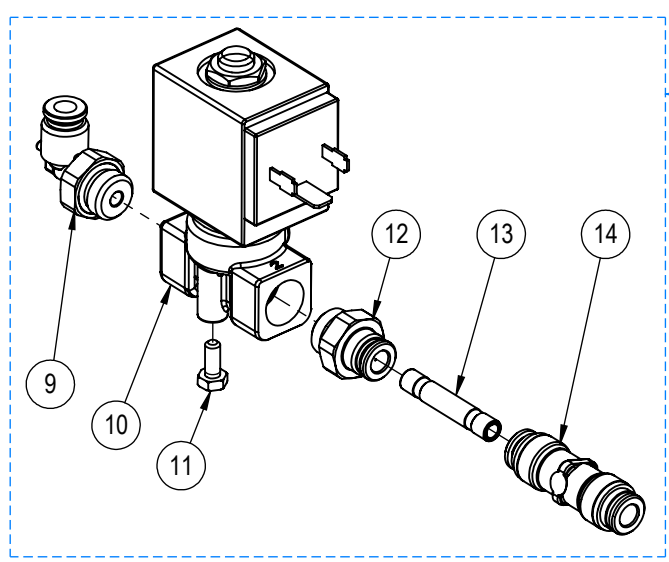
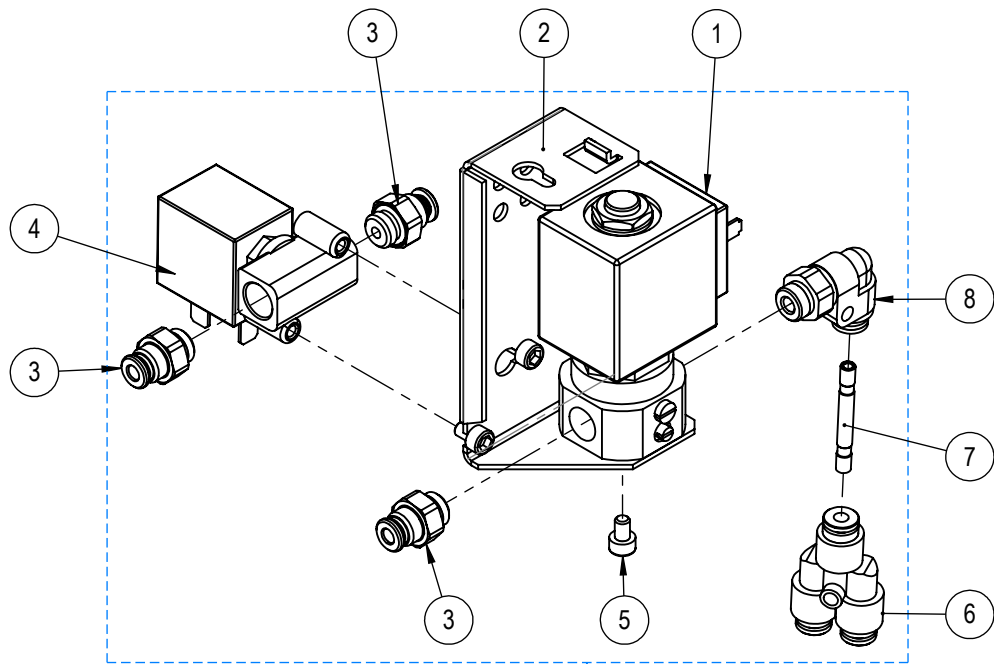
## PLANCHE - PLATE 320

Pos.	Fact. code	Code	Description FR	Description GB	V	W&T	REF.	NOTES	S/N BREAK
1	37228	0UNI9I	MOTEUR POMPE 120W 220-230V 50-60Hz UL	PUMP MOTOR 120W 220-230V 50-60Hz UL			n;o;p;q		
2	CN824	0UNI7M	CONDENSATEUR UL RPM POUR 37228	UL CAPACITOR			n;o;p;q	For 37228	
3	AE13A	0UNA42	ECROU INOX Hu 6-100	NUT M6					
4	51655	0UNA5W	RONDELLE GROWER DE 6	WASHER 6					
5	37265	0UNDBL	PLOT APB 20-20 45 SHORES	SILENTBLOC					
6	DO45	0UNDXI	VIS ACIER ZN TH 6 X 8	SCREW 6 X 8					
7	37219	0UNBY9	COLLIER POUR POMPE FLUIDOTECH	CLAMP					
8	37215	0UN524	JOINT D'ACCOUPEMENT	SLEEVE COUPLING					
9	37211	0UN542	AMORTISSEUR ACCOUPLEMENT	RUBBER COUPLING					
10	37206	0UN382	POMPE ROTATIVE 100L/H SANS PLOMB	UNLEADED PUMP 100L/H					
11	CN347C	0UNJLB	RACCORD D'ALIM 3/8 3/8	FITTING 3/8 3/8					
12	CH16	0UN177	JOINT CUIVRE RECUIT 3/8	WASHER - COPPER - 3/8					
13	37229	0UNHU7	MOTEUR POMPE 165W 220-230V 50-60Hz UL	PUMP MOTOR 165W 220-230V 50-60Hz UL			g;h;l;m		
13	37244	0UNDBK	MOTEUR POMPE 165W 220-230V 50-60Hz	PUMP MOTOR 165W 220-230V 50-60Hz			a;b;c;d;e;f;i;j;k;r;s;t;u;v;w;x; y;z;a1;b1;c1;d1;e1;f1;g1		
14	CN822	0UNI7K	CONDENSATEUR UL RPM POUR 37229	UL CAPACITOR			g;h;l;m	For 37229	
15	DO19	0UN687	PLOT APB 20-20	SILENTBLOC					
16	37207	0UN056	POMPE ROTATIVE 200L/H SANS PLOMB	UNLEADED PUMP 200L/H					
17	37200	0UNJDW	KIT ACCOUPLEMENT (37211+37215)	ACCOUPLING KIT					
18	37208	0UNJU4	KIT FIXATION MOTEUR 120W	120W FIXING MOTOR KIT					
19	37209	0UNJU5	KIT FIXATION MOTEUR 165W	165W FIXING MOTOR KIT					



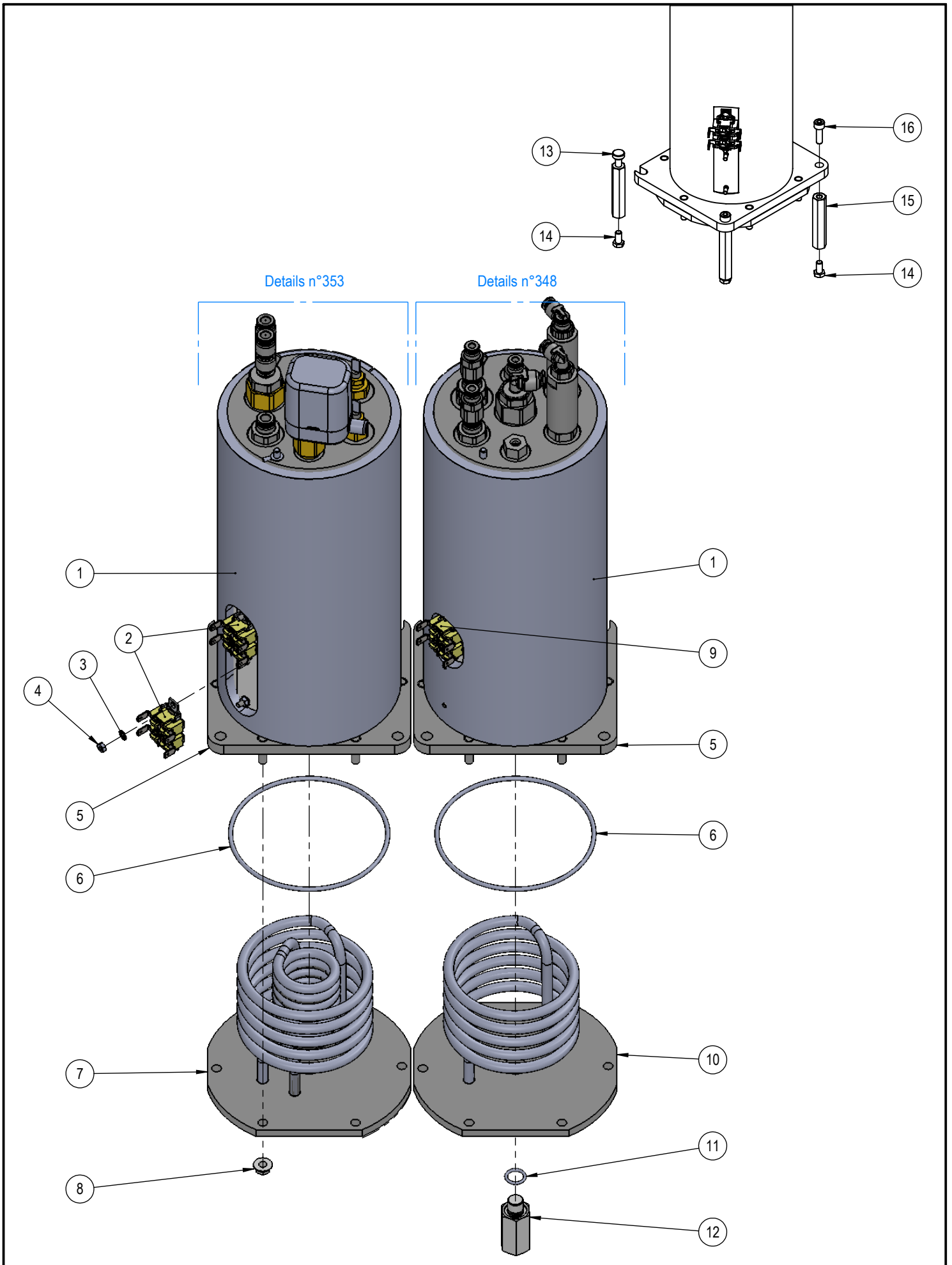
## PLANCHE - PLATE 336

Pos.	Fact. code	Code	Description FR	Description GB	V	W&T	REF.	NOTES	S/N BREAK
1	NA1017	0UNI7N	NOURRICE ALIMENTATION	WATER FEEDING UNIT					
2	36510MPH	0UNDBG	CAPTEUR DE PRESSION 0-16b HUBA	0-16b PRESSURE SENSOR					
3	23000	0UNI7P	BOUCHON G1/8 INOX	PLUG G1/8 STAINLESS STEEL					
4	23254	0UNJLS	RACCORD G1/8 MALE - TIGE D6 - INOX	G1/8 MALE FITTING - D6 ROD - SS					
5	23619	0UN044	REGLAGE AIR MICROMETRIQUE C/F D:4 F-F	SETTING AIR HOT/COLD D:4 F-F					
6	23208	0UNJC9	TIGE CONNEXION 2x D4 INOX	CONNECTION ROD 2x D4 STAINLESS STEEL					
7	NA4018	0UNJNL	NOURRICE	MANIFOLD					
8	23615	0UN120	RACCORD RAPIDE COUDE D:4 F-1/8G	ELBOW QUICK FITTING D:4 F-1/8G					
9	26302	0UNJH8	CLAPET ANTIRETOUR IN38F OUT38M	NO RETURN VALVE 3/8					
10	CN347C	0UNJLB	RACCORD D'ALIM 3/8 3/8	FITTING 3/8 3/8					
11	50106	0UN932	VIS TCHc M4 x 6	SCREW M4 X 6					
12	35515	0UN551	EV 2 VOIES 24V 50-60HZ NSF	EV 2 WAYS 24V 50-60HZ NSF					
13	23203	0UNI7Q	RACCORD G1/8 MALE - D4 - INOX	STAINLESS STEEL FITTING G1/8M D4					
14	23616	0UN048	RACCORD RAPIDE Y D:4 F-F-F	QUICK FITTING Y D:4 F-F-F					
15	23653	0UNI7O	VALVE DE SECURITE 12bar	safety valve 12bar					
16	NA6500	0UNJDX	12734 DIAM 2,5-4 L: 1M	12735 DIAM 2,5-4 L: 1M				LG: 150 MM	
17	NA1102	0UNJQ1	EV REEMPLISSAGE DUO	FILLING EV DUO			a;b;c;d;g;h;j;k;l;m;x;y;z;a1; b1;c1;d1		



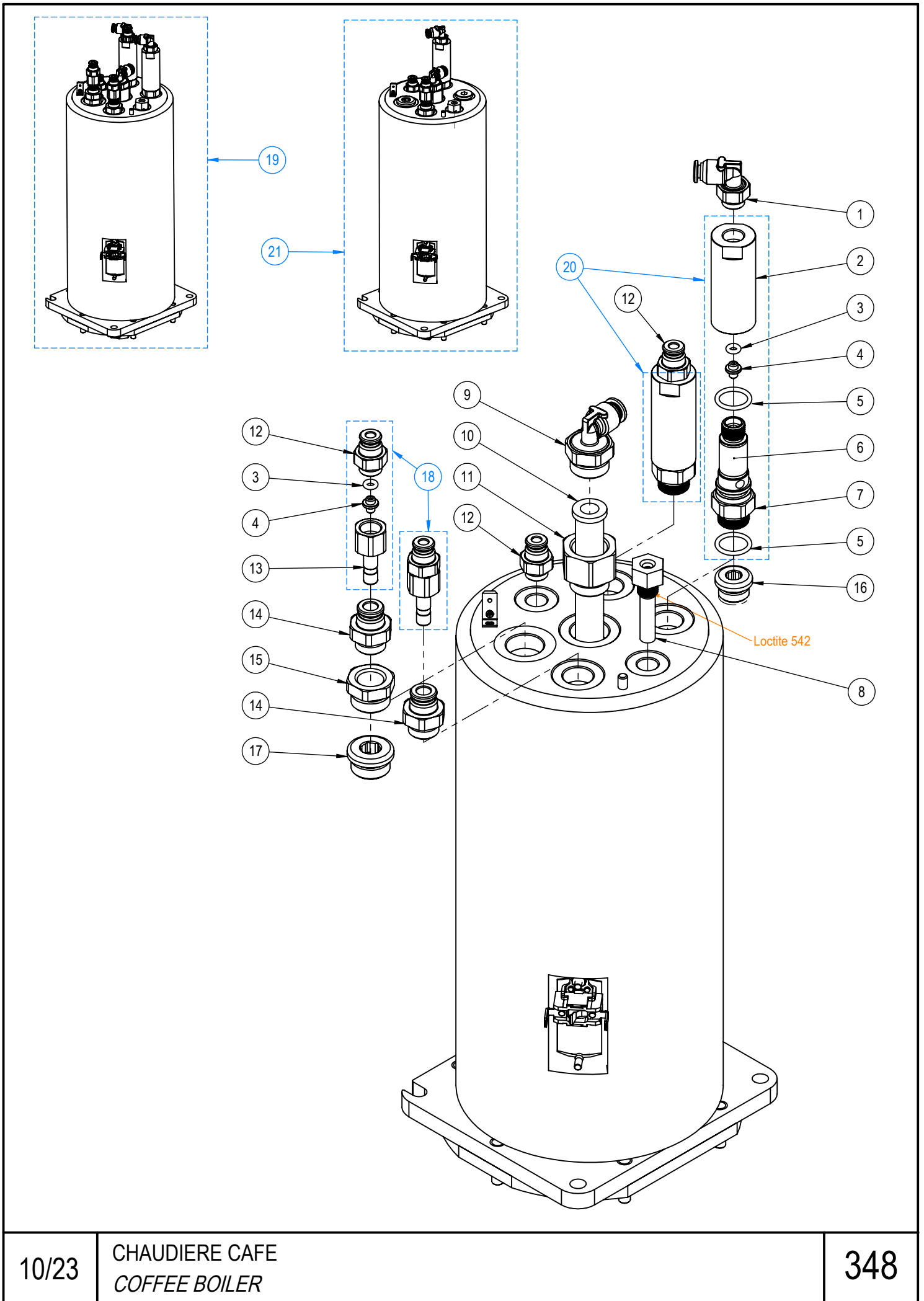
## PLANCHE - PLATE 337

Pos.	Fact. code	Code	Description FR	Description GB	V	W&T	REF.	NOTES	S/N BREAK
1	35515	0UN551	EV 2 VOIES 24V 50-60HZ NSF	EV 2 WAYS 24V 50-60HZ NSF					
2	NA2026		TOLE MAINTIEN EV 35500	EV HOLDER 1 UNIT					
3	23203	0UNI7Q	RACCORD G1/8 MALE - D4 - INOX	STAINLESS STEEL FITTING G1/8M D4					
4	35505	0UN437	ELECTROVANNE 2 VOIES 24V NSF	2 WAYS ELECTROVALVE					
5	50106	0UN932	VIS TCHc M4 x 6	SCREW M4 X 6					
6	23616	0UN048	RACCORD RAPIDE Y D:4 F-F-F	QUICK FITTING Y D:4 F-F-F					
7	23208	0UNJC9	TIGE CONNEXION 2x D4 INOX	CONNECTION ROD 2x D4 STAINLESS STEEL					
8	23615	0UN120	RACCORD RAPIDE COUDE D:4 F-1/8G	ELBOW QUICK FITTING D:4 F-1/8G					
9	23250	0UNJC3	COUDE 90° G1/4 MALE -D6 - INOX	STAINLESS STEEL FITTING ELBOW					
10	35510	0UN451	EV 2 VOIES 24V NSF	ELECTROVALVE 2 WAYS 24V NSF					
11	50118	0UNA64	VIS TH M4X10 INOX	S.STEEL SCREW M4X10					
12	23252	0UNI7R	RACCORD G1/4 MALE - D6 - INOX	STAINLESS STEEL FITTING G1/4M D6					
13	23253	0UNJC4	TIGE CONNEXION 2x D6 INOX	CONNECTION ROD 2x D6 STAINLESS STEEL					
14	23652	0UNJC5	CLAPET ANTI-RETOUR D6	non return valve D6 with push					
15	36510MPH	0UNDBG	CAPTEUR DE PRESSION 0-16b HUBA	0-16b PRESSURE SENSOR					
16	NA4018	0UNJNL	NOURRICE	MANIFOLD					
17	23653	0UNI7O	VALVE DE SECURITE 12bar	safety valve 12bar					
18	23254	0UNJLS	RACCORD G1/8 MALE - TIGE D6 - INOX	G1/8 MALE FITTING - D6 ROD - SS					
19	CN347C	0UNJLB	RACCORD D'ALIM 3/8 3/8	FITTING 3/8 3/8					
20	26302	0UNJ8	CLAPET ANTIRETOUR IN38F OUT38M	NO RETURN VALVE 3/8					
21	23619	0UN044	REGLAGE AIR MICROMETRIQUE C/F D:4 F-F	SETTING AIR HOT/COLD D:4 F-F					
22	NA4015	0UNJM4	RACCORD CAPTEUR PRESSION	PRESSURE SENSOR CONNECTION					
23	NA2024		MAINTIEN EV-SOUPAPE-CAPTEUR	EV-SENSOR-VALVE HOLDER					
24	51065		ECROU A SERTIR M4 INOX	NUT TO CRIMP M4 STAINLESS STEEL					
25	NA1084	0UNJNP	ASM ALIM EAU 1GR	WATER FEEDING UNIT				e;f;i;n;o;p;q;r;s;t;u;v;w;e1; f1:g1	
26	NA1092	0UNJNW	ASM EV NETTOYAGE CAFE 1GR	COFFEE CLEANING ELECTROVALVE SET				e;f;i;n;o;p;q;r;s;t;u;v;w;e1; f1:g1	
27	NA1017	0UNI7N	NOURRICE ALIMENTATION	WATER FEEDING UNIT					
28	NA1085	0UNJNT	ASM CAPTEUR PRESSION SOLO	PRESSURE SENSOR SET				e;f;i;n;o;p;q;r;s;t;u;v;w;e1; f1:g1	



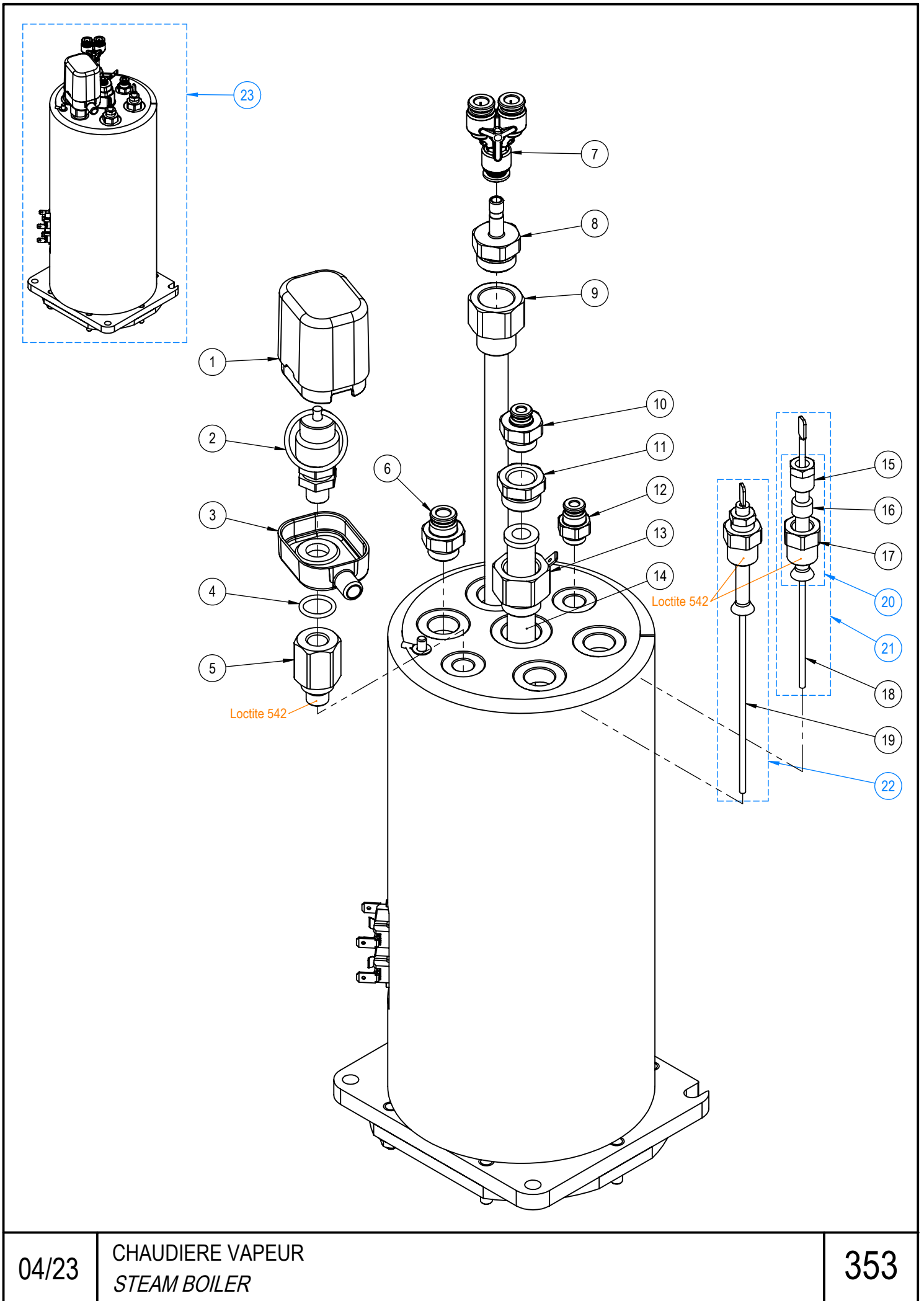
## PLANCHE - PLATE 342

Pos.	Fact. code	Code	Description FR	Description GB	V	W&T	REF.	NOTES	S/N BREAK
1	85235	0UNJHY	ISOLANT CHAUDIERE NA	BOILER INSULATOR					
1	85240	0UNJQ2	ISOLANT CHAUDIERE VAPEUR XP UL	BOILER INSULATOR			g,h;l,m,n;o;p,q		
2	34212	0UNJ15	THERMOSTAT SECURITE MONO 145°C	SAFETY THERMOSTAT 145°C			a,b,c,d,e,f,i,j,k,r,s,t,u,v,w; x,y,z,a1;b1;c1;d1,e1,f1,g1		
2	34214	0UNJ17	THERMOSTAT SECURITE BIPOLAIRE	SAFETY THERMOSTAT 145°C			g,h;l,m,n;o;p,q		
3	CN342	0UNA3L	RONDELLE EVENTAIL 3	WASHER 3					
4	PG49	0UNA45	ECROU INOX H6 DE 3	NUT M3					
5	29035	0UNJQ3	CORPS CHAUDIERE	BOILER BODY					
6	29737	0UNI5W	JOINT CHAUDIERE NEW AUTOMATIC	SEAL BOILER NA					
7	29836	0UNI60	ELEM CHAUFFANT 5500W 230V MONO	HEATING ELEMENT 5500W 230V MONO					
8	51102	0UNA5V	ECROU M5 INOX	NUT M5					
9	34211	0UNJ14	THERMOSTAT SECURITE MONO 115°C	SAFETY THERMOSTAT 115°C			a,b,c,d,e,f,i,j,k,r,s,t,u,v,w; x,y,z,a1;b1;c1;d1,e1,f1,g1		
9	34213	0UNJ16	THERMOSTAT SECURITE BIPOLAIRE	SAFETY THERMOSTAT 115°C			g,h;l,m,n;o;p,q		
10	29835	0UNI5Z	ELEM CHAUFFANT 3000W 230V MONO	HEATING ELEMENT 3000W 230V MONO					
11	CN2850	0UN180	JOINT TORIQUE 1,78X10,82	GASKET 10.82x1.78					
12	NA4063	0UNJHZ	BOUCHON VIDANGE LONG	LONG DRAIN PLUG					
13	NA4001	0UNJLI	COLONNETTE SUPPORT CHAUDIERE	BOILER SUPPORT COLUMN					
14	50204	0UN982	VIS TH M5 x 10 INOX	SCREW M5 X 10					
15	NA4000	0UNJLE	COLONNETTE FIXATION CHAUDIERE	BOILER FIXING COLUMN					
16	50212	0UNJK7	VIS M5 TCHC	M5 SCREW TCHC					



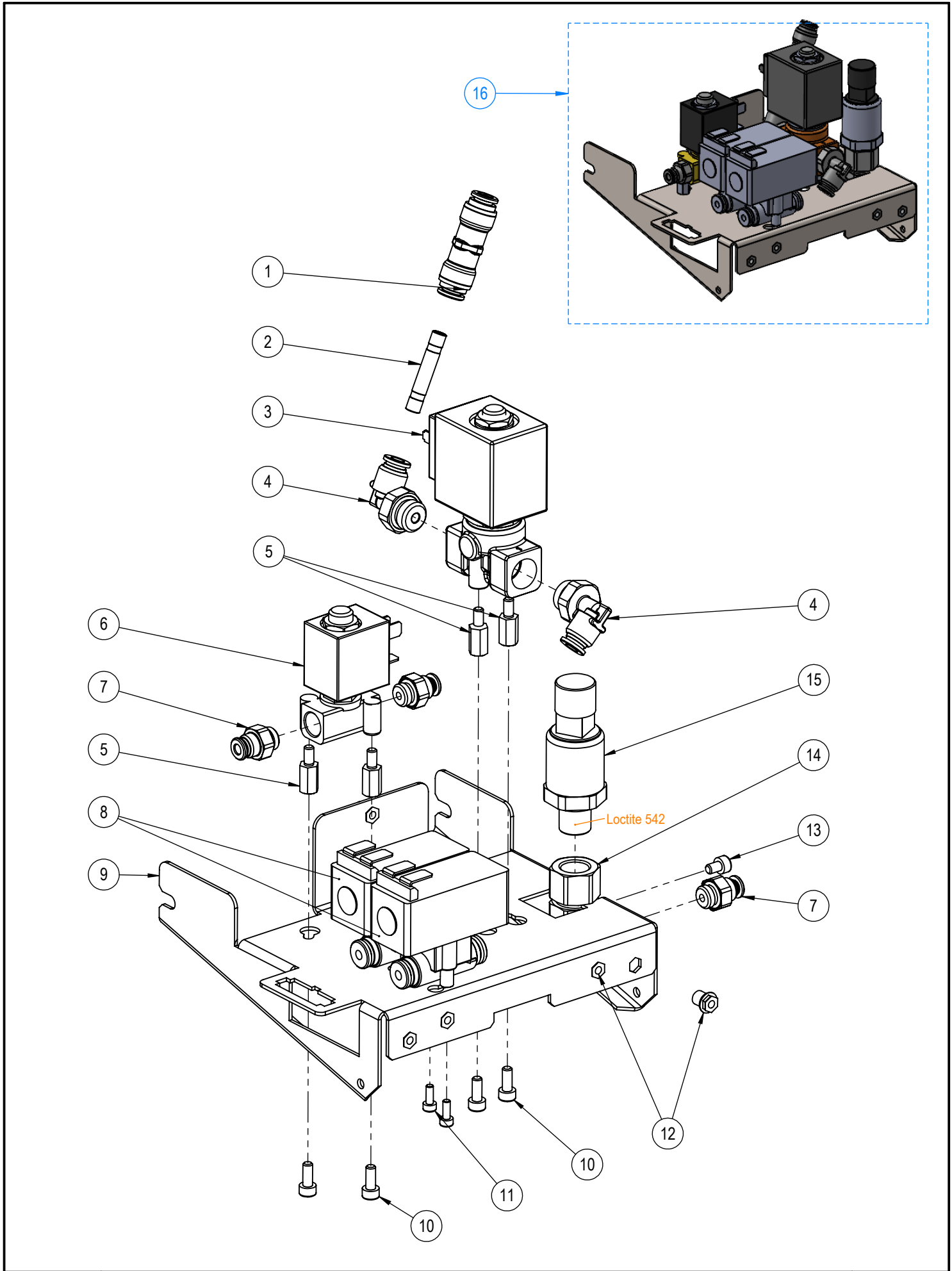
## PLANCHE - PLATE 348

Pos.	Fact. code	Code	Description FR	Description GB	V	W&T	REF.	NOTES	S/N BREAK
1	23200	0UNJC2	COUDE 90° G1/8 MALE -D4 - INOX	STAINLESS STEEL FITTING ELBOW					
2	NA4021		CORPS PORTE GICLEUR	JET HOLDER BODY					
3	TC80	0UN211	JOINT TORIQUE 1,78X2,90 FKM	GASKET 1.78X2.90 FKM					
4	23117	0UN134	GICLEUR DIAM:0,7	JET DIAM. 0.7					
5	PA96	0UNBFV	JOINT TORIQUE 1,78X12,42 EPDM	GASKET 1.78 X 12.42					
6	CF326	0UNBPS	FILTRE INOX D.int=12 H=17,5	FILTER D:12 H:17.5					
7	NA4022		SUPPORT GICLEUR CAFE	JET HOLDER COFFEE					
8	34411	0UNI61	SONDE THERMOSTATIQUE	THERMOSTATIC PROBE					
9	23251	0UNI7U	COUDE 90° G3/8 MALE -D6 - INOX	STAINLESS STEEL FITTING ELBOW					
10	DV4000	0UNBLS	TUBE TEFLON ALIM. GROUPE L:72	UNIT FEEDING TUBE					
11	NA4019	0UNJHI	RACCORD ENTREE EAU CHAUDIERE	WATER INLET BOILER FITTING					
12	23203	0UNI7Q	RACCORD G1/8 MALE - D4 - INOX	STAINLESS STEEL FITTING G1/8M D4					
13	NA4020	0UNJQ4	SUPPORT GICLEUR AJOUT EAU	JET HOLDER ADDING WATER					
14	23252	0UNI7R	RACCORD G1/4 MALE - D6 - INOX	STAINLESS STEEL FITTING G1/4M D6					
15	22800	0UNI7S	REDUCER G3/8M - G1/4F INOX	REDUCER G3/8M - G1/4F STAINLESS STEEL					
16	23001	0UNJHX	BOUCHON G1/4 INOX	PLUG G1/4 STAINLESS STEEL			e,f,i;n;o;p,q,r,s,t,u,v,w,e1; f1;g1		
17	23002	0UNJQ5	BOUCHON G3/8 INOX	PLUG G3/8 STAINLESS STEEL			e,f,i;n;o;p,q,r,s,t,u,v,w,e1; f1;g1		
18	NA1019	0UNJDA	ENSEMBLE GICLEUR AJOUT EAU	WATER ADDING JET ASSEMBLY					
19	NA1025	0UNI7T	CHAUDIERE CAFE	COFFEE BOILER			a,b;c,d,j,k,x,y,z;a1;b1;c1; d1		
19	NA1025UL	0UNJS0	CHAUDIERE CAFE DUO UL	COFFEE BOILER DUO			g,h;l,m		
20	NA1018	0UNJDB	ENSEMBLE GICLEUR CAFE GAUCHE	LEFT COFFEE JET ASSEMBLY					
21	NA1076	0UNJO2	CHAUDIERE CAFE SOLO	COFFEE BOILER SOLO			e,f,i;r,s,t,u,v,w,e1;f1;g1		
21	NA1076UL	0UNJS1	CHAUDIERE CAFE SOLO UL	COFFEE BOILER SOLO			n;o;p;q		



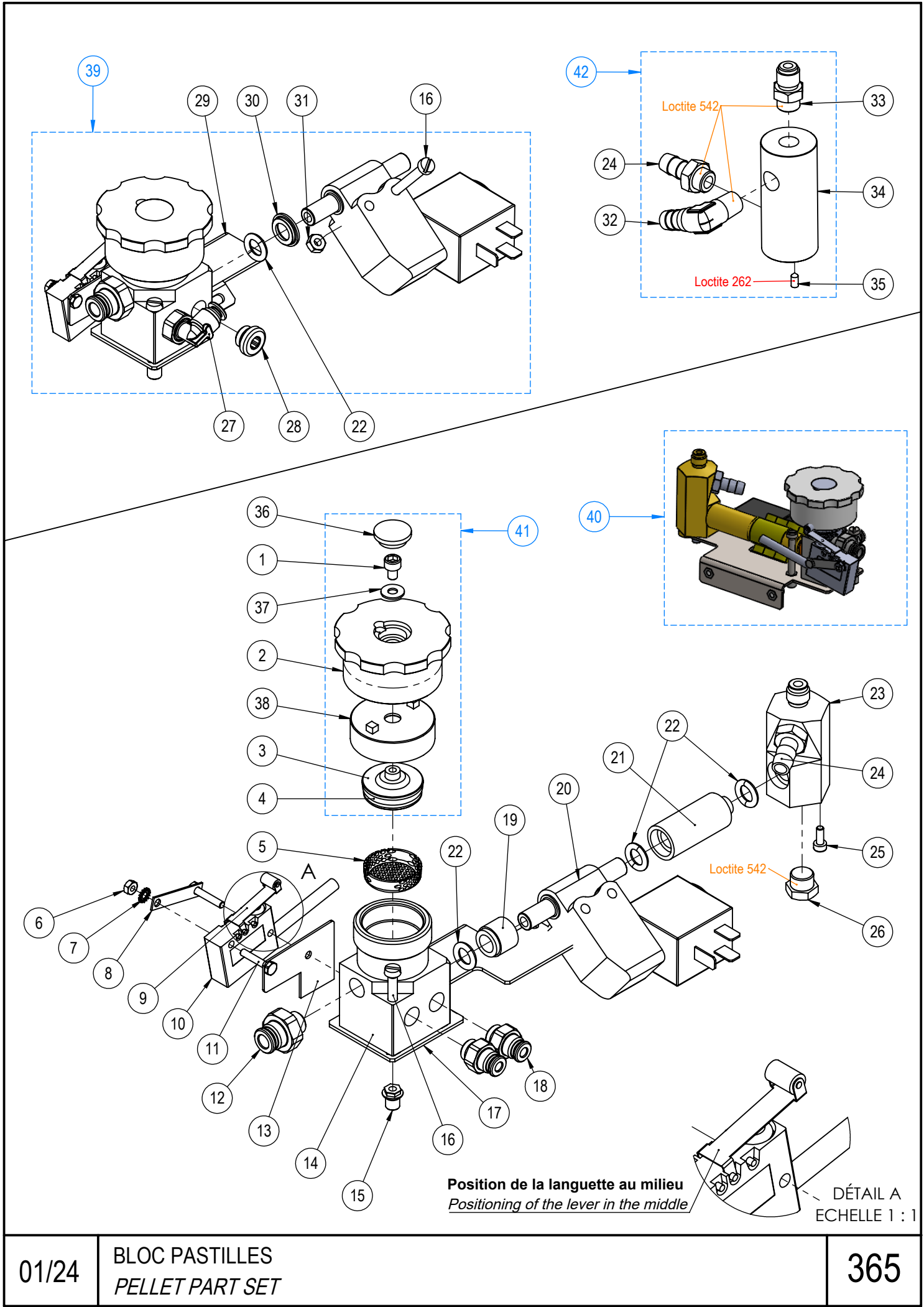
## PLANCHE - PLATE 353

Pos.	Fact. code	Code	Description FR	Description GB	V	W&T	REF.	NOTES	S/N BREAK
1	TG7023	0UNBY6	COUVERCLE PROTECTION SOUPAPE	COVER VALVE PROTECTION					
2	27200	0UN155	SOUPAPE VAPEUR BP 3,5 BARS	LP VALVE 3.5 BARS					
3	TG7022	0UNHRF	PROTECTION SOUPAPE	VALVE PROTECTION					
4	PA96	0UNBFV	JOINT TORIQUE 1,78X12,42 EPDM	GASKET 1.78 X 12.42					
5	TG4078	0UNJLU	SUPPORT SOUPAPE BP	LP VALVE HOLDER					
6	23252	0UN17R	RACCORD G1/4 MALE - D6 - INOX	STAINLESS STEEL FITTING G1/4M D6					
7	23258	0UNJ1C	RACCORD Y - D6 - INOX	FITTING Y D6					
8	23256	0UNJHF	RACCORD G3/8 MALE - TIGE D6 - INOX	G3/8 MALE FITTING - D6 ROD - SS					
9	NA6001		TUBE PLONGEUR EAU CHAUDE INOX	DIVER PIPE HOT WATER					
10	23202	0UNI7V	RACCORD G1/4 MALE - D4 - INOX	STAINLESS STEEL FITTING G1/4M D4					
11	22800	0UNI7S	REDUCER G3/8M - G1/4F INOX	REDUCER G3/8M - G1/4F STAINLESS STEEL					
12	23203	0UNI7Q	RACCORD G1/8 MALE - D4 - INOX	STAINLESS STEEL FITTING G1/8M D4					
13	NA4019	0UNJHI	RACCORD ENTREE EAU CHAUDIERE	WATER INLET BOILER FITTING					
14	FR4170	0UN299	TUBE TEFLON ALIM. GROUPE L:150	UNIT FEEDING TUBE L150					
15	NA70	0UN197	BLOCAGE ELECTRODE NIVEAU AUTO	LEVEL PROBE COMPRESSION NUT					
16	NA71	0UN198	PORTE-ELECTRODE EN TEFLON	LEVEL PROBE INSULATION					
17	23790	0UN957	PORTE SONDE EN LAITON	LEVEL PROBE HOLDER					
18	26500	0UN162	SONDE DE NIVEAU L=130	LEVEL PROBE L=130					
19	26515	0UNBPP	SONDE DE NIVEAU L=150	LEVEL PROBE					
20	26502	0UN966	ENSEMBLE NIVEAU SONDE 3/8	LEVEL PROBE 3/8 SET					
21	26533	0UN17W	SONDE NIVEAU COMPLETE 1/4 L130	LEVEL PROBE L130					
22	26532	0UN17X	SONDE NIVEAU COMPLETE 1/4 L150	LEVEL PROBE L150					
23	NA1026	0UNJBH	CHAUDIERE VAPEUR	STEAM BOILER			a;b;c;d;e;f;i;j;k;r;s;t;u;v;w;x; y;z;a1;b1;c1;d1;e1;f1; g1		
23	NA1026UL	0UNJS2	CHAUDIERE VAPEUR UL	STEAM BOILER			g;h;l;m;n;o;p;q		



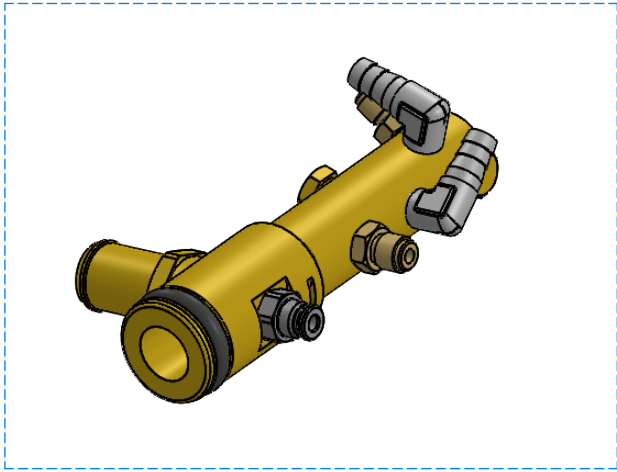
## PLANCHE - PLATE 358

Pos.	Fact. code	Code	Description FR	Description GB	V	W&T	REF.	NOTES	S/N BREAK
1	23652	0UNJC5	CLAPET ANTI-RETOUR D6	<i>non return valve D6 with push</i>					
2	23253	0UNJC4	TIGE CONNEXION 2x D6 INOX	<i>CONNECTION ROD 2x D6 STAINLESS STEEL</i>					
3	35510	0UN451	EV 2 VOIES 24V NSF	<i>ELECTROVALVE 2 WAYS 24V NSF</i>					
4	23250	0UNJC3	COUDE 90° G1/4 MALE -D6 - INOX	<i>STAINLESS STEEL FITTING ELBOW</i>					
5	50113	0UNA10	COLONNETTE M-F M4X13	<i>SPACER M-F M4X13</i>					
6	35505	0UN437	ELECTROVANNE 2 VOIES 24V NSF	<i>2 WAYS ELECTROVALVE</i>					
7	23203	0UNI7Q	RACCORD G1/8 MALE - D4 - INOX	<i>STAINLESS STEEL FITTING G1/8M D4</i>					
8	35504	0UNI9N	EV 24V DC D4FF DN1,5	<i>2 WAYS 24VDC Ø4FF DN1,5</i>					
9	NA2001	0UNJM9	SUPPORT BLOC EV	<i>EV BLOCK HOLDER</i>					
10	PE59	0UN201	VIS TCHC M4x10 INOX	<i>SCREW 4 X 10</i>					
11	CN306	0UN997	VIS INOX TCHC 3 x 8	<i>SCREW M3 X 8</i>					
12	51065		ECROU A SERTIR M4 INOX	<i>NUT TO CRIMP M4 STAINLESS STEEL</i>					
13	50106	0UN932	VIS TCHc M4 x 6	<i>SCREW M4 X 6</i>					
14	NA4015	0UNJM4	RACCORD CAPTEUR PRESSION	<i>PRESSURE SENSOR CONNECTION</i>					
15	36510MPH	0UNDBG	CAPTEUR DE PRESSION 0-16b HUBA	<i>0-16b PRESSURE SENSOR</i>					
16	NA1012	0UNI7Y	MODULE EV	<i>ELECTROVALVE MODULE</i>			a;b;c;d;g;h;j;k;l;m;x;y;z;a1; b1;c1;d1		

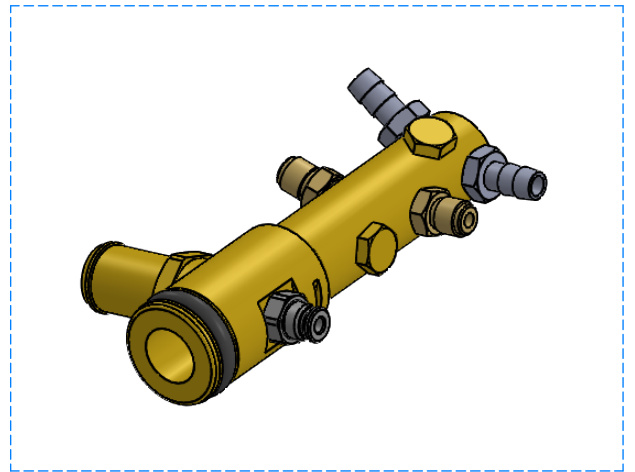


## PLANCHE - PLATE 365

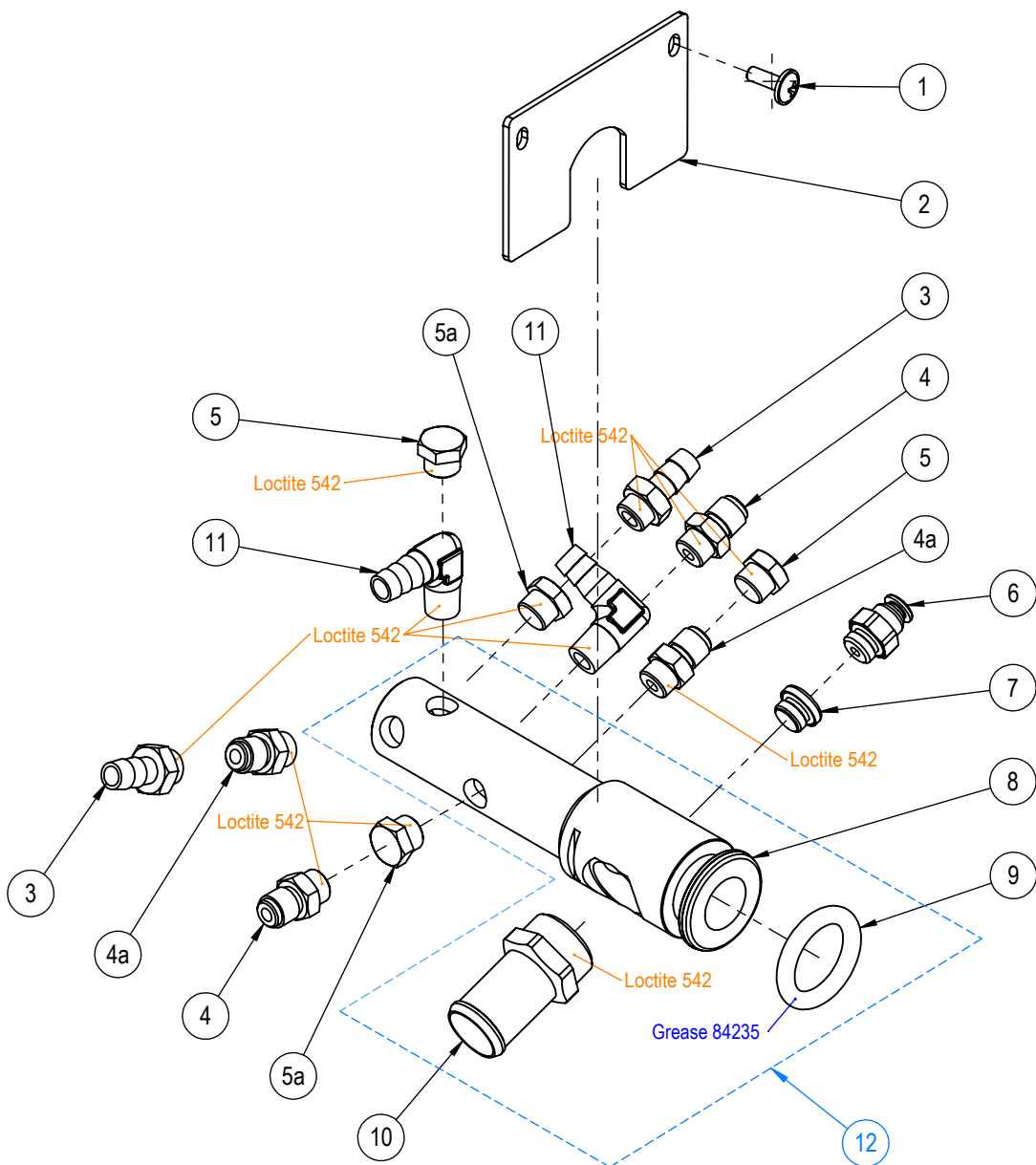
Pos.	Fact. code	Code	Description FR	Description GB	V	W&T	REF.	NOTES	S/N BREAK
1	50106	0UN932	VIS TCHc M4 x 6	SCREW M4 X 6					
2	NA4036	0UNJNI	VOLANT DU BOUCHON	CAP HANDWHEEL					
3	NA4074	0UNJLY	OPERCULE TOURNANT	ROTATING OBTURATOR					
4	27901	0UNC3R	JOINT TORIQUE 3,53X18,64 FKM	GASKET 3,53X18,64					
5	FR2135	0UN286	GRILLE DU BLOC PASTILLE	GRID					
6	PG49	0UNA45	ECROU INOX Hu DE 3	NUT M3					
7	CN342	0UNA3L	RONDELLE EVENTAIL 3	WASHER 3					
8	CN37	0UNI80	PATTE INOX FIXATION MINIRUPT.	MICROSWITCH HOLDING BAR					
9	CN620	0UN182	LEVIER AV.RESSORT 161E r=24,1	LEVER WITH CASTOR					
10	CN642E	0UN326	MINIRUPTEUR ETANCHE	WATERPROOF MICROSWITCH					
11	50016	0UNI81	VIS TH M3 X 16	SCREW M3 X 16					
12	23259	0UNJC6	RACCORD G1/8 MALE - D6 - INOX	STAINLESS STEEL FITTING G1/8M D6					
13	NA2006	0UNI82	TOLE FIXATION BLOC PASTILLES	TABLETS BLOCK FIXING SHEET					
14	NA4017	0UNJNU	BLOC PASTILLES	CLEANING BLOCK					
15	51065		ECROU A SERTIR M4 INOX	NUT TO CRIMP M4 STAINLESS STEEL					
16	50120	0UN757	VIS TC M4X35 INOX	S.STEEL SCREW M4X35					
17	NA2005	0UNJLT	TOLE SUPPORT BLOC PASTILLES	TABLETS BLOCK SUPPORT SHEET				ab;c;d;g;h;j;k;l;m;x;y;z;a1; b1;c1;d1	
18	23203	0UNI7Q	RACCORD G1/8 MALE - D4 - INOX	STAINLESS STEEL FITTING G1/8M D4					
19	TG4212	0UNJLA	ENTRETOISE DE MAINTIEN	MAINTENANCE SPACER				ab;c;d;g;h;j;k;l;m;x;y;z;a1; b1;c1;d1	
20	35550	0UN022	ELECTROVANNE N.O 24V 50HZ	ELECTROVALVE N.O 24V 50HZ				ab;c;d;e;f;i;j;k;r;s;t;u;v;w;x; y;z;a1;b1;c1;d1;e1;f1;g1	
20	35560	0UN307	ELECTROVANNE N.O 24V 60HZ UL	ELECTROVALVE N.O 24V 60HZ UL				g;h;l;m;n;o;p;q	
21	NA4029	0UNJLJ	RACCORD AVAL EV SIRAI	FITTING SIRAI ELECTROVALVE				ab;c;d;g;h;j;k;l;m;x;y;z;a1; b1;c1;d1	
22	27821	0UN240	JOINT TORIQUE 2,62 X 7,59	O-RING 2,62 X 7,59					
23	NA4030	0UNJM5	RACCORD EV ANTI-CRUE	RACCORD EV ANTI-OVERFLOW					
24	21455	0UN912	RACCORD TETINE 1/8M D7	FITTING 1/8M D7					
25	CN306	0UN997	VIS INOX TCHC 3 x 8	SCREW M3 X 8					
26	21100	0UN994	BOUCHON 1/8	PLUG 1/8					
27	23200	0UNJC2	COUDE 90° G1/8 MALE -D4 - INOX	STAINLESS STEEL FITTING ELBOW					
28	23000	0UNI7P	BOUCHON G1/8 INOX	PLUG G1/8 STAINLESS STEEL					
29	NA2029	0UNJLW	TOLE SUPPORT BLOC PASTILLE 1GR	TABLET BLOCK SUPPORT SHEET				ef;i;n;o;p;q;r;s;t;u;v;w;e1; f1;g1	
30	NA4067	0UNJLH	RONDELLE POUR 35550	SPACER				ef;i;n;o;p;q;r;s;t;u;v;w;e1; f1;g1	
31	PG14	0UN277	ECROU M4	NUT M4				ef;i;n;o;p;q;r;s;t;u;v;w;e1; f1;g1	
32	21456	0UN566	RACCORD COUDE 1/8M D7	FITTING 1/8M D7					
33	M136	0UN422	RACCORD 1/8M 1/8M	CONNECTION 1/8					
34	NA4065	0UNJNB	RACCORD EV ANTI-CRUE 1GR	FITTING EV ANTI-OVERFLOW 1GR					
35	CN599	0UNBVU	VIS STHC M3X5	SCREW STHC M3X5					
36	ED118	0UNHTD	BOUCHON PLASTIQUE	CAP					
37	PG15B	0UNA3S	RONDELLE INOX 4.2X10X0.8	WASHER					
38	NA4038	0UNJM6	ECROU LAITON DU BOUCHON	CAP NUT					
39	NA1078	0UNJNZ	ENSEMBLE BLOC PASTILLES 1GR	TABLETS BLOCK SET 1GR				ef;i;n;o;p;q;r;s;t;u;v;w;e1; f1;g1	
40	NA1011	0UNI7Z	ENSEMBLE BLOC PASTILLES 2GR	TABLETS BLOCK SET 2GR				ab;c;d;g;h;j;k;l;m;x;y;z;a1; b1;c1;d1	
41	NA1065	0UNJBZ	ASM BOUCHON	PLUG SUB ASSEMBLY					
42	NA1097	0UNJPE	ASM ANTI-CRUE 1GR	ANTI FLOOD SET				ef;i;n;o;p;q;r;s;t;u;v;w;e1; f1;g1	



1 GROUP

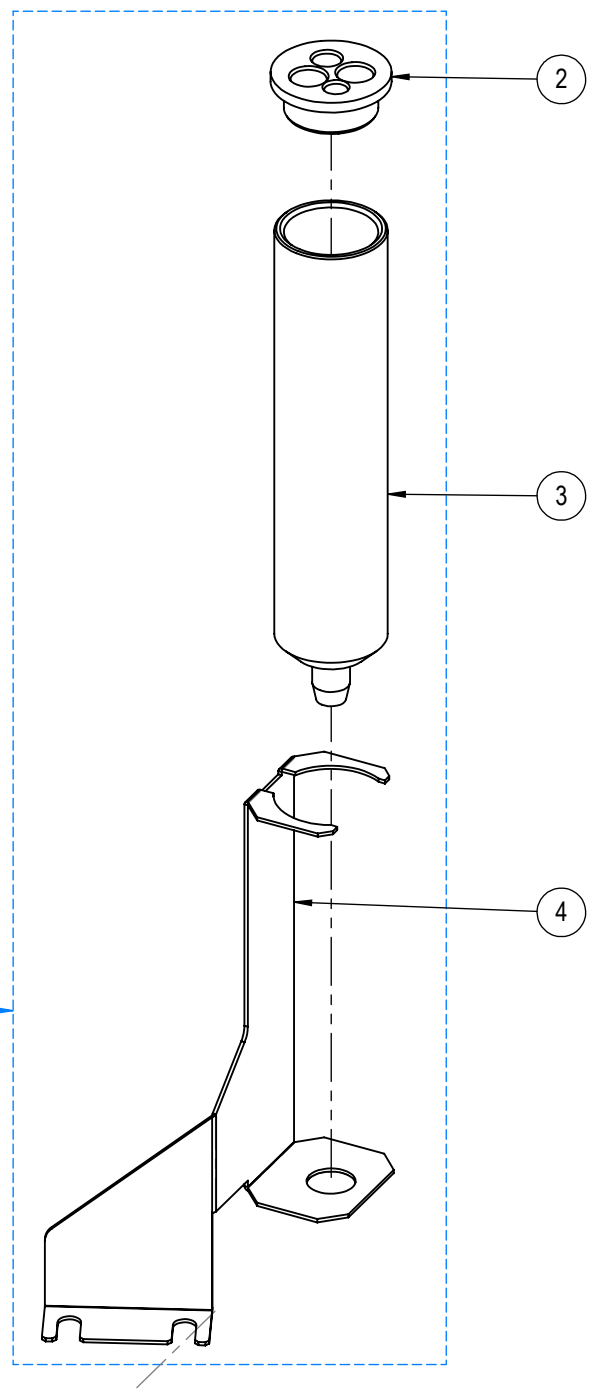
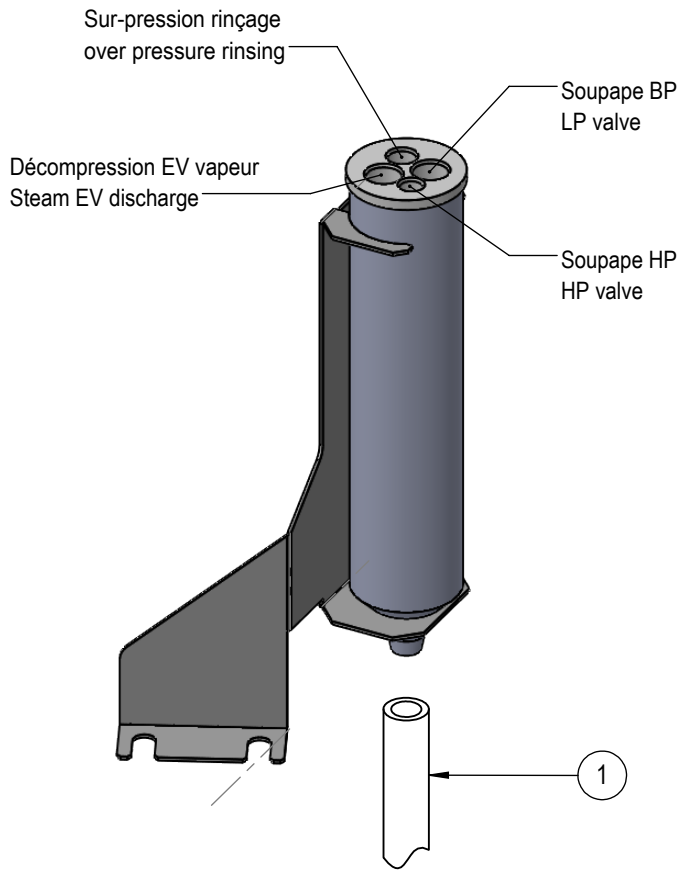


2 GROUPS



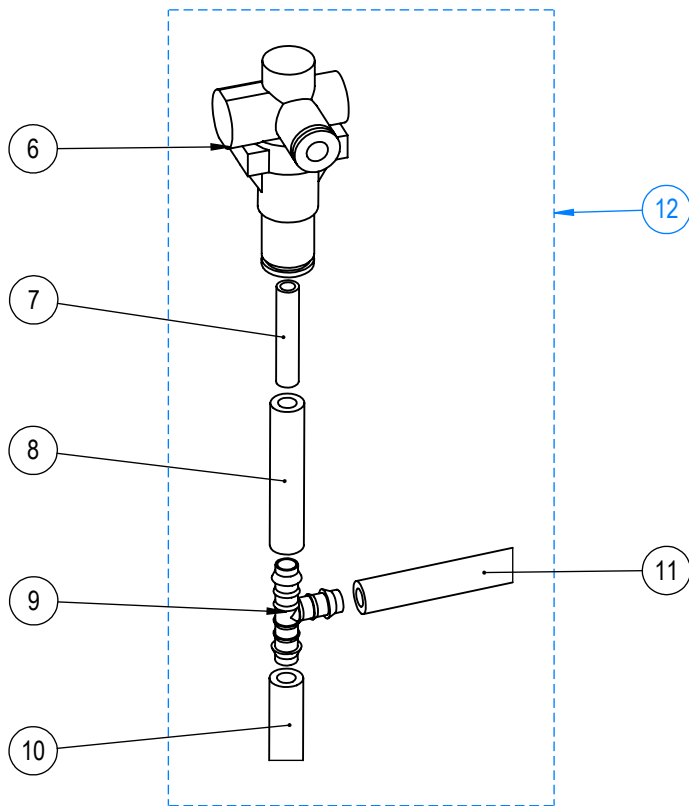
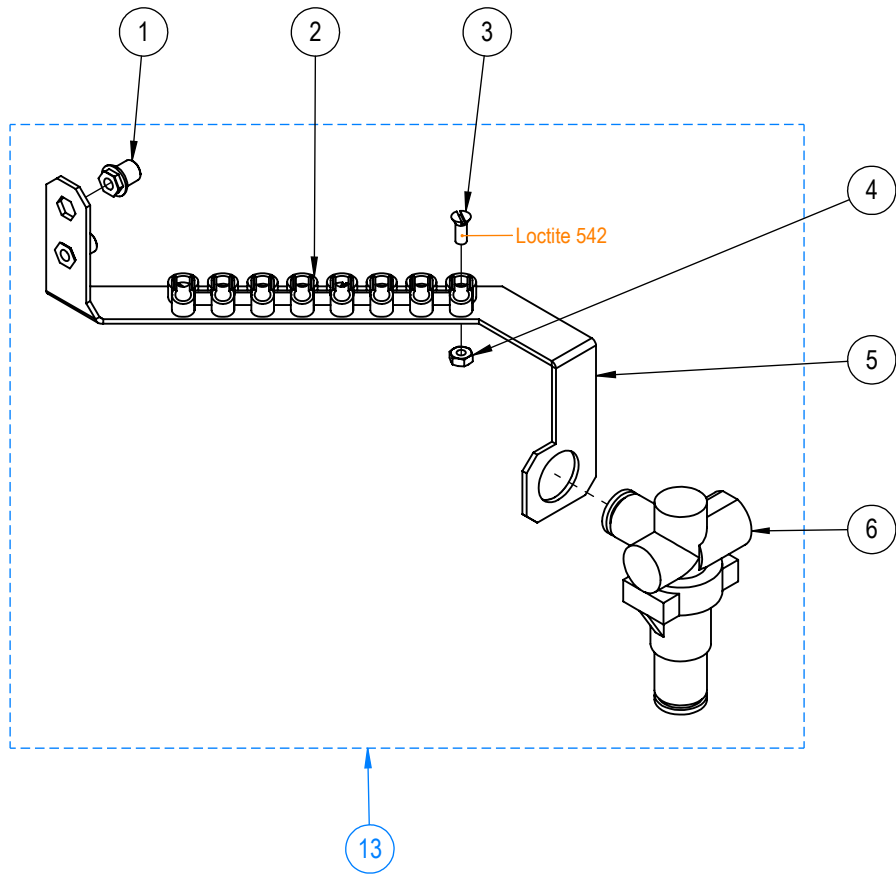
## PLANCHE - PLATE 366

Pos.	Fact. code	Code	Description FR	Description GB	V	W&T	REF.	NOTES	S/N BREAK
1	50126	0UN615	VIS TB CRUCIFORME A EMBASE M4 x 12	CRUCIFORM SCREW M4 x 12				MOQ = 50	
2	NA2004	0UNJLD	TOLE FIXATION BLOC VIDANGE	DRAIN BLOCK FIXING SHEET					
3	21455	0UN912	RACCORD TETINE 1/8M D7	FITTING 1/8M D7			a,b,c,d,g,h,j,k,l,m,x,y,z;a1; b1,c1,d1		
4	M136	0UN422	RACCORD 1/8M 1/8M	CONNECTION 1/8			a,b,c,d,g,h,j,k,l,m,x,y,z;a1; b1,c1,d1		
4a	M136	0UN422	RACCORD 1/8M 1/8M	CONNECTION 1/8			e,f,i;n;o,p,q,r,s,t,u,v,w,e1; f1,g1		
5	21100	0UN994	BOUCHON 1/8	PLUG 1/8			a,b,c,d,g,h,j,k,l,m,x,y,z;a1; b1,c1,d1		
5a	21100	0UN994	BOUCHON 1/8	PLUG 1/8			e,f,i;n;o,p,q,r,s,t,u,v,w,e1; f1,g1		
6	23203	0UNI7Q	RACCORD G1/8 MALE - D4 - INOX	STAINLESS STEEL FITTING G1/8M D4			b,d,f,h,i,m;o,q,t,w,z;c1;d1		
7	23000	0UNI7P	BOUCHON G1/8 INOX	PLUG G1/8 STAINLESS STEEL			a,c,e,g,j,k,l;n,p,r;s;u,v,x;y; a1;b1,e1,f1,g1		
8	NA4016	0UNJNN	BLOC VIDANGE	DRAIN BLOCK					
9	28024	0UNI83	JOINT TORIQUE 5,34X21	O RING 5,34X21					
10	FR4211	0UN378	TETINE LATERALE D'EVACUATION	NIPPLE DISCHARGE SIDE					
11	21456	0UN566	RACCORD COUDE 1/8M D7	FITTING 1/8M D7			e,f,i;n;o,p,q,r,s,t,u,v,w,e1; f1,g1		
12	NA1010	0UNI84	ENSEMBLE BLOC VIDANGE	DRAIN BLOCK SET					



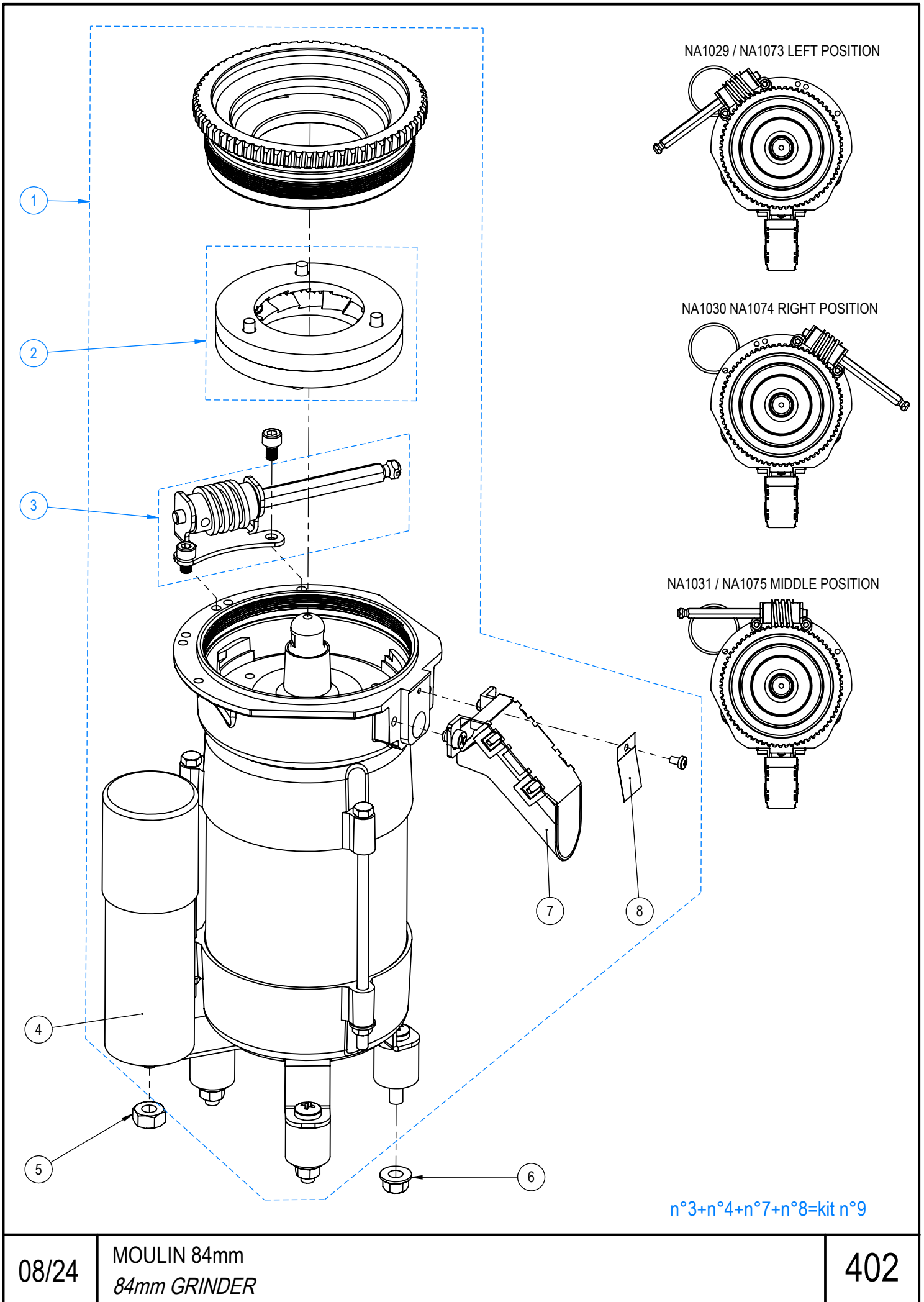
## PLANCHE - PLATE 371

Pos.	Fact. code	Code	Description FR	Description GB	V	W&T	REF.	NOTES	S/N BREAK
1	12704	0UN041	TUBE SILICONE 7X12	SILICONE PIPE 7X12				L : 130 MM	
2	FR4088	0UN903	BOUCHON DE GOULOTTE 4T	DRAIN CHUTE CAP 4 HOLES					
3	FR4067	0UN433	GOULOTTE EVACUATION	DRAIN CHUTE					
4	NA2007	0UNJNA	SUPPORT GOULOTTE NA	DRAIN CHUTE HOLDER (NA)					
5	NA1037	0UNI85	GOULOTTE EVACUATION N.A.	DRAIN CHUTE FOR TANGO XP					



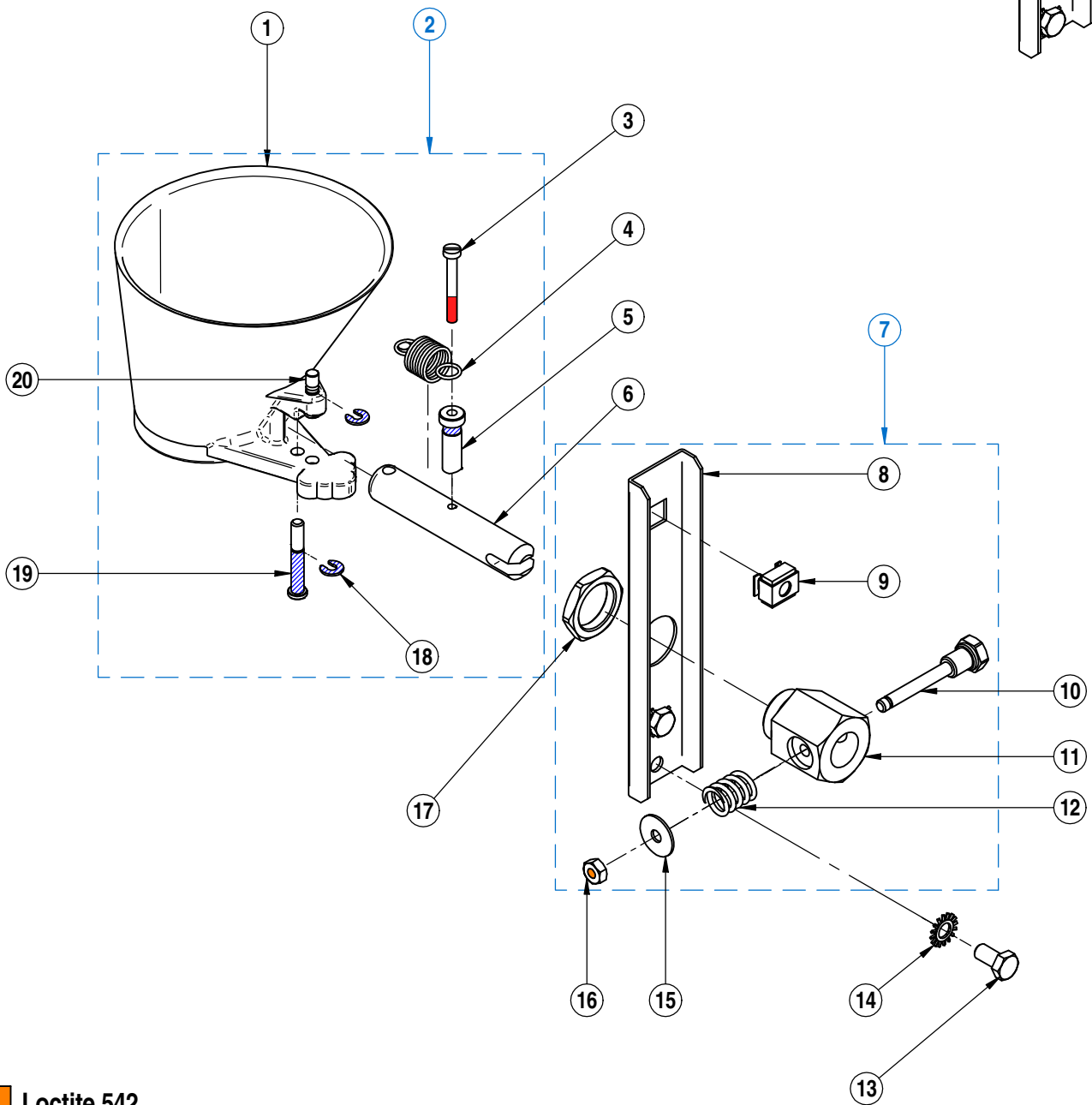
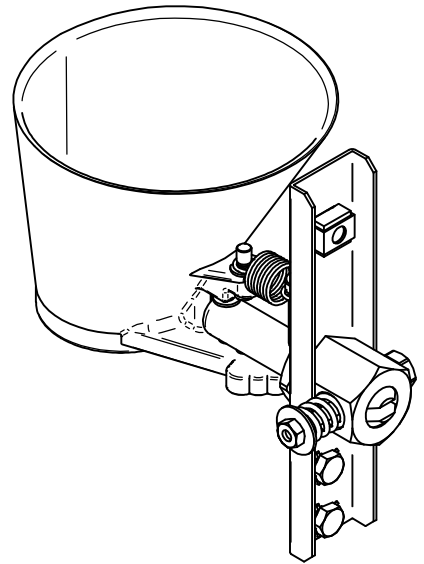
## PLANCHE - PLATE 375

Pos.	Fact. code	Code	Description FR	Description GB	V	W&T	REF.	NOTES	S/N BREAK
1	51065		ECROU A SERTIR M4 INOX	NUT TO CRIMP M4 STAINLESS STEEL					
2	25112	0UNJLX	ATTACHE TUBE D4	FIXING PTFE PIPE					
3	50003	0UNDJY	VIS TF M3 X 8	SCREW M3 X 8					
4	PG49	0UNA45	ECROU INOX Hu DE 3	NUT M3					
5	NA2021	0UNJM3	SUPPORT TUBES ET SOUPEPE	SUPPORT FOR PIPES AND VALVE					
6	23651	0UNI86	VALVE MULTIFONCTIONS D6- PPSU -	Multifunction valve D6- PPSU					
7	NA6501	0UNJDY	12736 DIAM 4-6 L: 1M	12737 DIAM 4-6 L: 1M				L : 30 MM	
8	NA6502	0UNJDZ	12740 DIAM 5-9 L: 1M	12740 DIAM 5-9 L: 1M				L : 45 MM	
9	23602	0UNJQ6	T DIAMETRE 6	T DIAMETER 6					
10	NA6502	0UNJDZ	12740 DIAM 5-9 L: 1M	12740 DIAM 5-9 L: 1M				L : 120 MM	
11	NA6502	0UNJDZ	12740 DIAM 5-9 L: 1M	12740 DIAM 5-9 L: 1M				L : 280 MM	
12	NA1101	0UNJS3	SOUPEPE HP SOLO	HP VALVE SOLO			e,f,i;n;o;p;q;r;s;t;u;v;w;e1; f1;g1		
13	NA1045	0UNJNS	ASM SUPPORT TUBES PTFE	COMPLETE PTFE PIPE HOLDER			a;b;c;d;g;h;j;k;l;m;x;y;z;a1; b1;c1;d1		



## PLANCHE - PLATE 402

Pos.	Fact. code	Code	Description FR	Description GB	V	W&T	REF.	NOTES	S/N BREAK
1	NA1029	0UNI87	MOULIN D.84 230/50-60Hz G2	L2 GRINDER D.84 230/50-60Hz			a;b;c;d;j;k;l;m;x;y;z;a1;b1;c1;d1		
1	NA1029UL	0UNJS4	MOULIN D.84 220/60Hz G2 UL	L2 GRINDER D.84 220/60Hz			g;h		
1	NA1030	0UNI88	MOULIN D.84 230/50-60Hz D2	R2 GRINDER D.84 230/50-60Hz			a;b;c;d;j;k;l;m;x;y;z;a1;b1;c1;d1		
1	NA1030UL	0UNJS5	MOULIN D.84 220/60Hz D2 UL	R2 GRINDER D.84 220/60Hz			g;h		
1	NA1031	0UNI89	MOULIN D.84 230/50-60Hz C2	M2 GRINDER D.84 230/50-60Hz			c;d;k;a1;b1;c1		
1	NA1031UL	0UNJS6	MOULIN D.84 220/60Hz C2 UL	M2 GRINDER D.84 220/60Hz			l;m		
1	NA1073	0UNJS7	MOULIN D.84 230/50-60Hz G1	L1 GRINDER D.84 230/50-60Hz			e;f;i;r;s;t;u;v;w;e1;f1;g1		
1	NA1073UL	0UNJS8	MOULIN D.84 220/60Hz G1 UL	L1 GRINDER D.84 220/60Hz			n;o;p;q		
1	NA1074	0UNJS9	MOULIN D.84 230/50-60Hz D1	R1 GRINDER D.84 230/50-60Hz			e;f;i;r;s;t;u;v;w;e1;f1;g1		
1	NA1074UL	0UNJTA	MOULIN D.84 220/60Hz D1 UL	R1 GRINDER D.84 220/60Hz			n;o;p;q		
1	NA1075	0UNJTB	MOULIN D.84 230/50-60Hz C1	M1 GRINDER D.84 230/50-60Hz			i;u;v;w;e1,f1		
1	NA1075UL	0UNJTC	MOULIN D.84 220/60Hz C1 UL	M1 GRINDER D.84 220/60Hz			p;q		
2	37556	0UNJFP	KIT MEULES MOULIN CEADO	BURRS KIT					
3	37554	0UNJFN	ASM VIS AJUSTEMENT GAUCHE	LEFT ADJUSTMENT SCREW				middle / left grinder	
3	37555	0UNJFO	ASM VIS AJUSTEMENT DROIT	RIGHT ADJUSTMENT SCREW				right grinder	
4	37553	0UNJFM	CONDENSATEUR 16µF MOULIN CEADO	CAPACITOR			a;b;c;d;e;f;i;j;k;r;s;t;u;v;w;x;y;z;a1;b1;c1;d1;e1;f1;g1		
4	37559	0UNJTP	CONDENSATEUR 25µF UL	CAPACITOR			g;h;l;m;n;o;p;q		
5	PE12	0UN430	ECROU M8	NUT M8					
6	51155	0UN871	ECROU NYLSTOP M6	NUT NYLSTOP M6					
7	37551	0UNJE8	BEC 37°	COFFEE SPOUT 37°					
8	37552	0UNJFL	LANGUETTE BEC 37°	SPOUT TONGUE 37°					
9	37557	0UNJE5	KIT REGLAGE GAUCHE CEADO D84	LEFT SETTING KIT CEADO D84				middle / left grinder	
9	37558	0UNJE6	KIT REGLAGE DROIT CEADO D84	RIGHT SETTING KIT CEADO D84				right grinder	



- Loctite 542
- Loctite 262
- Grease 84236

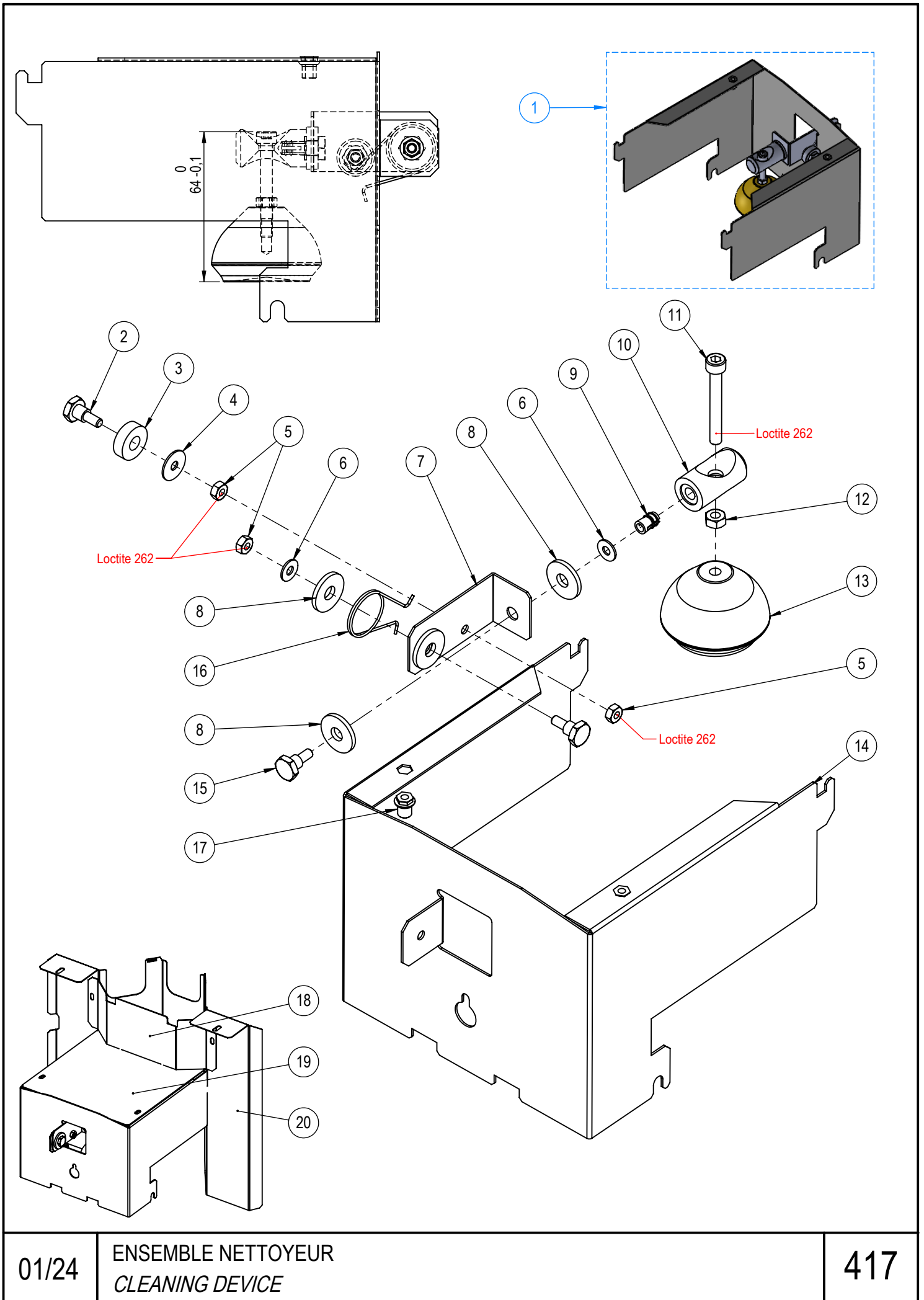
11/22

ENTONNOIR  
FUNNEL

410

## PLANCHE - PLATE 410

Pos.	Fact. code	Code	Description FR	Description GB	V	W&T	REF.	NOTES	S/N BREAK
1	FR7011	0UN529	ENTONNOIR	FUNNEL					
2	FR1006	0UN189	KIT ENTONNOIR PARTIE MOBILE	FUNNEL MOBILE KIT			a;b;c;d;g;h;j;k;l;m;x;y;z;a1; b1;c1;d1		
3	CN49	0UNBLO	VIS TC M3X25	SCREW M3 X 25					
4	28816	0UN508	RESSORT ENTONNOIR	FUNNEL SPRING					
5	FR4048	0UN466	AXE FIXE	AXLE					
6	FR4042	0UN440	AXE ENTONNOIR	HOLDER ROD					
7	FR1005	0UN770	ENTONNOIR PARTIE FIXE	FUNNEL FIXED KIT			a;b;c;d;g;h;j;k;l;m;x;y;z;a1; b1;c1;d1		
8	FR2025	0UNA71	TOLE SUPPORT ENTONNOIR	FUNNEL HOLDER					
9	52506	0UN279	ECROU CAGE M6 X ep 1	INSERT NUT M6					
10	FR4040	0UN584	AXE DE VERROUILLAGE ENTONNOIR	LOCKING ROD					
11	FR4043	0UN470	CORPS SUPPORT ENTONNOIR	FUNNEL HOLDER BODY					
12	PA43	0UN199	RESSORT F15/10 L14,5 D10,5 P3	SPRING					
13	50204	0UN982	VIS TH M5 x 10 INOX	SCREW M5 X 10					
14	CN344	0UNA44	RONDELLE EVENTAIL DE 5	LOCK WASHER 5					
15	51552	0UN616	RONDELLE INOX 4.25x14x0.8	S..STEEL WASHER 4.25x14x0.8					
16	PG14	0UN277	ECROU M4	NUT M4					
17	NA18A	0UN698	ECROU LAITON 3/8 4 mm	3/8 NUT					
18	PH31	0UN289	ANNEAU TRUARC	TRUARC RING					
19	FR4045	0UN553	AXE DE ROTATION ENTONNOIR	ROTATING AXLE					
20	FR4047	0UN471	AXE MOBILE	AXLE					



## PLANCHE - PLATE 417

Pos.	Fact. code	Code	Description FR	Description GB	V	W&T	REF.	NOTES	S/N BREAK
1	NA1038	0UN9A	ENSEMBLE BALANCIER	PENDULUM KIT			a;b;c;d;g;h;j;k;l;m;x;y;z;a1; b1;c1;d1		
2	FR4072	0UN310	VIS EPAULEE M4	SCREW M4					
3	PA77	0UN527	JOINT 6,5 x 16 x 5	GASKET 6,5 X 16 X 5					
4	51552	0UN616	RONDELLE INOX 4.25x14x0.8	S..STEEL WASHER 4.25x14x0.8					
5	PG14	0UN277	ECROU M4	NUT M4					
6	PG15B	0UNA3S	RONDELLE INOX 4.2X10X0.8	WASHER					
7	FR2045	0UN609	EQUERRE SUPPORT NETTOYEUR	RIGHT ANGLE BRACKET					
8	51650	0UN297	RONDELLE 6 6.4x18x2 NYLON	WASHER DIAM. 6 NYLON					
9	51355	0UN341	INSERT M4D LAITON L:9.5	INSERT M4					
10	FR4071	0UN487	AXE SUPPORT BOULE NETTOYEUR	CLEANING BALL AXLE					
11	50203	0UN273	VIS CHC M5 X 45 INOX	SCREW M5 X 40					
12	51100	0UNA5V	ECROU M5 INOX	NUT M5					
13	FR4070	0UN916	BOULE NETTOYEUR	CLEANING BALL					
14	NA2017	0UNJNF	SUPPORT BALANCIER NEXT GEN	SUPPORT SHEET OUTRIGGER					
15	FR4072	0UN310	VIS EPAULEE M4	SCREW M4					
16	51650	0UN297	RONDELLE 6 6.4x18x2 NYLON	WASHER DIAM. 6 NYLON					
17	51065		ECROU A SERTIR M4 INOX	NUT TO CRIMP M4 STAINLESS STEEL					
18	NA2032	0UNJLV	CLOISONNEMENT AVANT BECS	SPOUTS PARTITIONING					
19	NZ2033	0UNFZB	SUPPORT GRILLES DE BASSINE 3GR	GRID SUPPORT 3 UNITS					
20	NA2002	0UNJNC	TOLE PROTECTION MOULINS	GRINDERS PROTECTION SHEET					

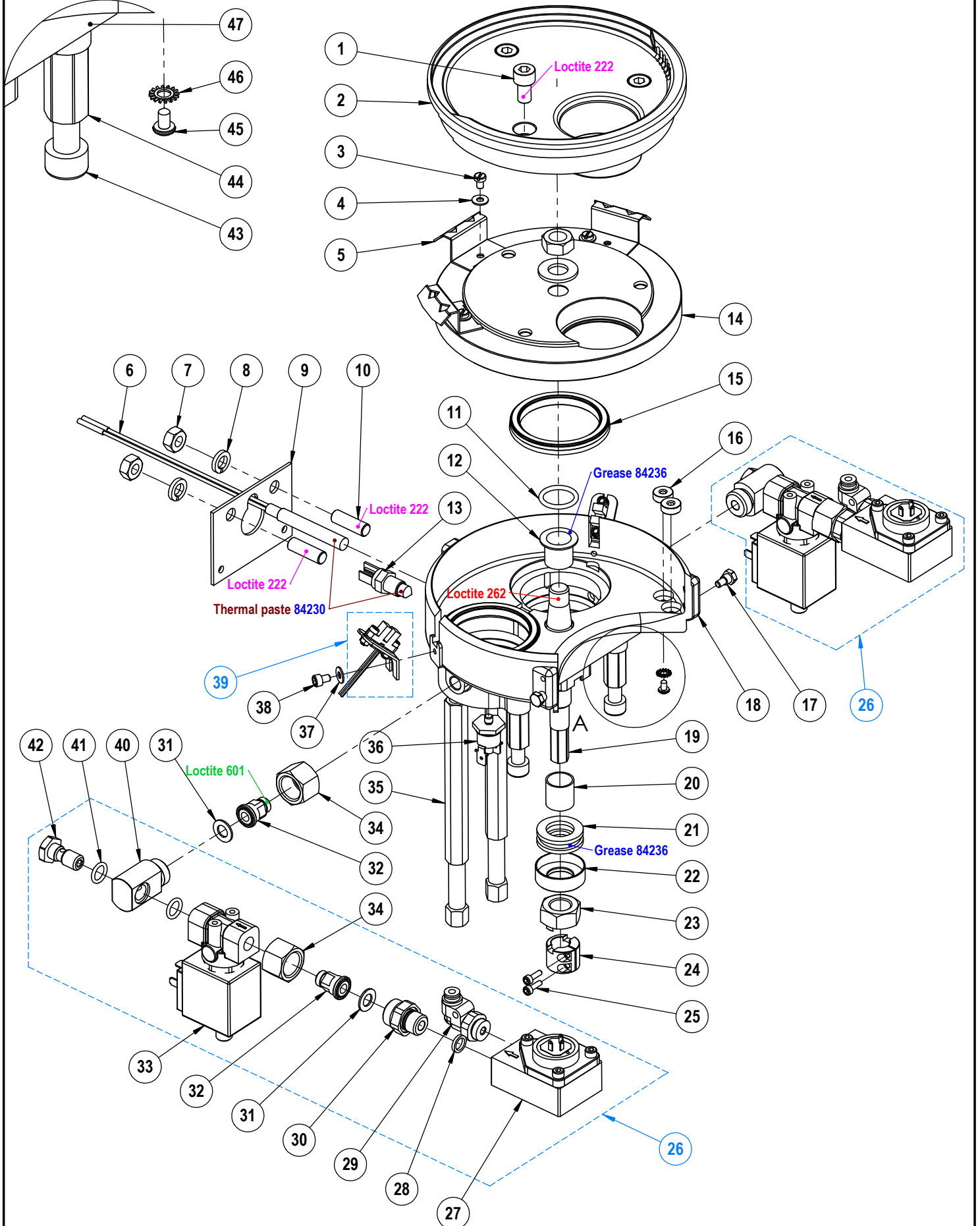


## PLANCHE - PLATE 422

Pos.	Fact. code	Code	Description FR	Description GB	V	W&T	REF.	NOTES	S/N BREAK
1	PG14	0UN277	ECROU M4	NUT M4					
2	NA2055		CAMPANILE	CAMPANILE					
3	52603		PALIER IGUS A CLIPS MCM 06_015_13	GLIDING RING					
4	NA4046		AXE MONOGROUPE	AXLE					
5	NA2054		BIELLE DE CLOCHE	CONNECTING ROD					
6	NA4051		ENTRETOISE CYLINDRIQUE	CYLINDER SPACER					
7	NA4047		ENTRETOISE POM LONGUE	LONG SPACER					
8	NA4058		CLOCHE - MONOGROUPE	BELL					
9	50106	0UN932	VIS TCHc M4 x 6	SCREW M4 X 6					
10	NA2059		TOLE PIVOT DE BRAS	ARM SHEET METAL					
11	NA4048		ENTRETOISE POM COURTE	SHORT SPACER					
12	NA2053		BRAS DE CLOCHE	BELL ARM					
13	PG15B	0UNA3S	RONDELLE INOX 4.2X10X0.8	WASHER					
14	PE59	0UN201	VIS TCHC M4x10 INOX	SCREW 4 X 10					
15	NA2060		SOCLE DU CAMPANILE	BASE					
16	NA4049		ENTRETOISE EPAULEE	SHOULDERED SPACER					
17	28816	0UN508	RESSORT ENTONNOIR	FUNNEL SPRING					
18	FR7011	0UN529	ENTONNOIR	FUNNEL					
19	50128		VIS TChc M4 X 12 8-8	TCHC M4 X 12 8-8					
20	NA2063		PATTE DE L'ENTONNOIR	FUNNEL LEG					
21	NA2056		SUPPORT D'ENTONNOIR	FUNNEL SUPPORT					
22	NA4075		ENTRETOISE	SPACER					
23	CN50	0UNDT	VIS TCHC M6 x 60 inox A2	SCREW M6 x 60 STAINLESS STEEL TCHC					
24	CN648	0UN109	COMPTEUR VOLUMETRIQUE Ø1,5	WHOLE W.DOSING DEVICE					
25	23202	0UNI7V	RACCORD G1/4 MALE - D4 - INOX	STAINLESS STEEL FITTING G1/4M D4					
26	23252		RACCORD G1/4 MALE - D6 - INOX	STAINLESS STEEL FITTING G1/4M D6					
27	23254		RACCORD G1/8 MALE - TIGE D6 - INOX	G1/8 MALE FITTING - D6 ROD - SS					
28	35025	0UN129	EV 3 VOIES 24V D1.2	EV 3 WAYS 24V D1.2					
29	23259	0UNJC6	RACCORD G1/8 MALE - D6 - INOX	STAINLESS STEEL FITTING G1/8M D6					
30	23751	0UN088	AXE DE BANJO 1/8	BANJO SCREW					
31	28104	0UN146	JOINT TORIQUE 2X9,5 FKM 80SH	GASKET 2X9,5					
32	NA4066		BANJO EV CAFE DU MONOGROUPE	COFFEE ELECTROVALVE FITTING					
33	51600	0UNDLL	RONDELLE INOX MOYENNE DE 5	WASHER					
34	NA4044		BIELLE 91 mm	ARM					
35	52602	0UNDLT	PALIER A COLERETTE D6	LOWER GLIDING RING D6					
36	NA4059		MANETON - MONOGROUPE	CRANKPIN					
37	51100	0UNA5V	ECROU M5 INOX	NUT M5					
38	PG49	0UNA45	ECROU INOX Hu DE 3	NUT M3					
39	CN342	0UNA3L	RONDELLE EVENTAIL 3	WASHER 3					
40	36500	0UN163	CAPTEUR A FOURCHE EFFET HALL	FORK SENSOR					
41	CN306	0UN997	VIS INOX TCHC 3 x 8	SCREW M3 X 8					
42	NA2058		SUPPORT DE CAPTEUR A FOURCHE D	RIGHT FORK SENSOR BRACKET					
42	NA2057		SUPPORT DE CAPTEUR A FOURCHE G	LEFT FORK SENSOR BRACKET					
43	NA2051		TOLE CODEUSE	CODER SHEET METAL					
44	50118	0UNA64	VIS TH M4X10 INOX	S.STEEL SCREW M4X10					
45	NA4055		ROUE - MONOGROUPE	WHEEL					
46	53618		RONDELLE IGUS XTM-18-32-015	IGUS WASHER XTM-18-32-015					
47	52618		PALIER A COLERETTE J350FM-1820-17	FLANGE BEARING J350FM-1820-17					
48	NA4054		PALIER - MONOGROUPE	BEARING					
49	NA4076		RONDELLE LAITON	BRASS WASHER					
50	NA4078		ECROU DE REGLAGE M15 X 1	ADJUSTING NUT M15 X 1					
51	NA4071IN		AXE MOTEUR 405228	MOTOR AXLE 405228					
52	CS4023	0UNDU9	RONDELLE PEEK SUPERIEURE	UPPER PEEK WASHER					
53	NA7039	0UNJK5	TUNNEL MONOGROUPE	MONOGROUP FUNNEL					
54	37308	0UN516	MOTOREDUCTEUR 24V 500tr/mn	MOTOREDUCER 24V 500 rpm					
55	PH32	0UN278	RONDELLE ACIER Zn 6,25x14x1,2	WASHER					
56	PH53	0UNG9K	VIS ST M6x8 LAITON	SCREW M6 X 8					
57	52904		GOUPILE INOX Ø 4 x 16	STAINLESS STEEL PIN Ø 4 x 16					
58	NA2038		TOLE CABLE MONOGROUPE	MONOGROUP WIRE SHEET METAL					
59	NA4070		PION SUPPORT MOTEUR	ENGINE SUPPORT PIN					
60	34410	0UN117	SONDE THERMOSTATIQUE	THERMOSTATIC PROBE					
61	29831	0UN032	CARTOUCHE CHAUFFANTE 200W-230V	HEATING ELEMENT 200W-230V					
62	NA2050		MONOGROUPE TOLE SUPPORT	SHEET METAL MONOGROUP SUPPORT					
63	NA4050		CORPS - MONOGROUPE	BODY					
64	FR4056	0UN462	VIS SPECIAL COTE	SIDE SCREW					
65	28503	0UN582	JOINT PLATEAU COMPLET	GASKET UNIT					
66	NA4052		PLATEAU - MONOGROUPE	TRAY					
67	28502	0UN974	BUTEE PLATEAU	BASE DIA: 12					
68	NA4053		DEMI-LUNES - MONOGROUPE	HALF MOON					
69	NA4077		SUPPORT DE CLOCHE A RETENTION	RETENTION BELL SUPPORT					
70	50120	0UN757	VIS TC M4X35 INOX	S.STEEL SCREW M4X35					
71	PC22	0UNG7M	VIS ACIER CHC 6 x 35 INOX	SCREW 6 X 35					
72	NA4064		ENTRETOISE PALIER CARRE	SPACER					
73	31934	0UNBJF	PALIER CARRE	SQUARE SOFT BEARING					
74	34210	0UN105	SECURITE THERMIQUE température 115°C	SAFETY THERMOSTAT 115°C					
75	FR4029	0UN468	ENTRETOISE M8	SCREW M8					
76	50126	0UN615	VIS TB CRUCIFORME A EMBASE M4 x 12	CRUCIFORM SCREW M4 x 12				MOQ = 50	
77	NA2062		SUPPORT DE DOSEUR	DOSING HOLDER					
78	51065		ECROU A SERTIR M4 INOX	NUT TO CRIMP M4 STAINLESS STEEL					
79	NA1082	0UNJTS	ENSEMBLE BOULIER SOLO	EJECTOR SET SOLO					ef:in;0;p;q;r;s;t;u;v;w;e1;f1;g1
80	NA1081	0UNJTT	ENSEMBLE ENTONNOIR SOLO	FUNNEL SET SOLO					ef:in;0;p;q;r;s;t;u;v;w;e1;f1;g1
81	NA1094	0UNJQ7	ASM CAPTEUR EFFET HALL GAUCHE	LEFT SENSOR MONOGROUP					ef:in;0;p;q;r;s;t;u;v;w;e1;f1;g1
81	NA1096	0UNJQ8	ASM CAPTEUR EFFET HALL DROITE	RIGHT SENSOR MONOGROUP					ef:in;0;p;q;r;s;t;u;v;w;e1;f1;g1
82	NA1080	0UNJIO	GROUPE CAFE SOLO	COFFEE GROUPE SOLO					ef:in;0;p;q;r;s;t;u;v;w;e1;f1;g1

Note : No code → unavailable for spare parts

DÉTAIL A  
ECHELLE 2 : 3



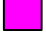

09/24

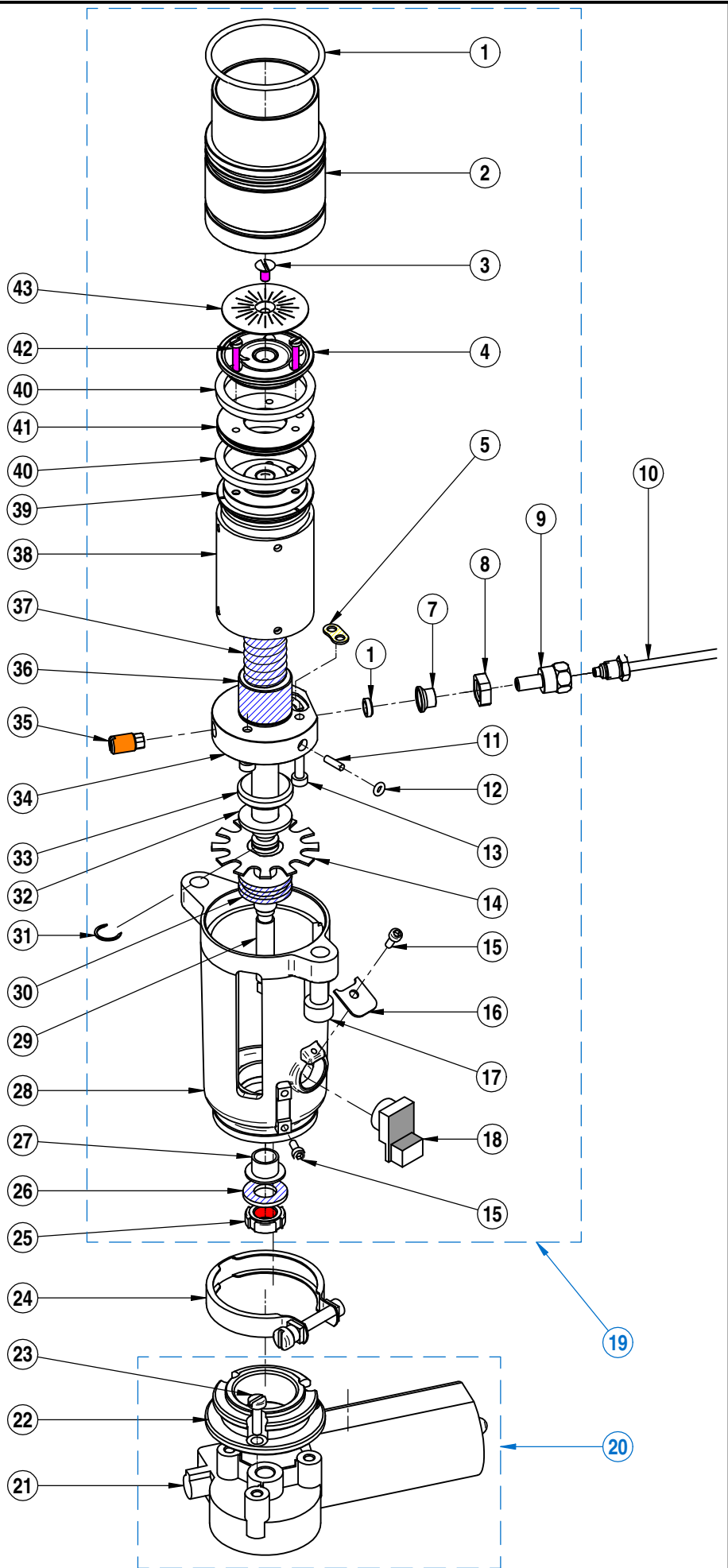
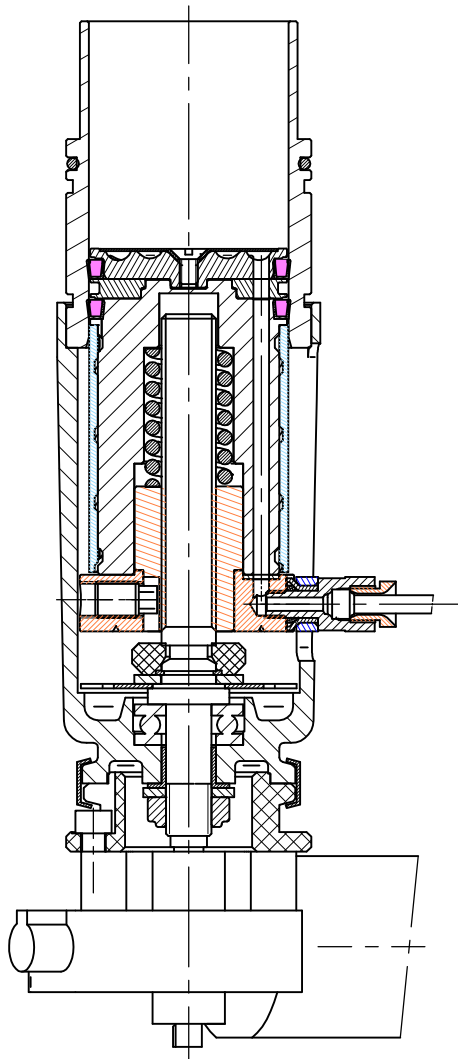
GRUPE CAFE SANS PISTON (2GR)  
COFFEE UNIT WITHOUT PISTON (2GR)

423

## PLANCHE - PLATE 423

Pos.	Fact. code	Code	Description FR	Description GB	V	W&T	REF.	NOTES	S/N BREAK
1	50414	0UNJK8	VIS CHC M8 X 14	SCREW M8 X 14					
2	FR7000	0UN214	PLATEAU PLASTIQUE	PLASTIC TURNTABLE					
3	CN325	0UN284	VIS INOX TC 4 x 6	SCREW M4 X 6					
4	PG15B	0UNA3S	RONDELLE INOX 4.2X10X0.8	WASHER					
5	FR2082	0UNA9D	TOLE POSITION PLATEAU LARGE	WIDE TURNABLE TOP PLATE					
6	29831	0UN032	CARTOUCHE CHAUFFANTE 200W-230V	HEATING ELEMENT 200W-230V					
7	E11		ECROU ACIER Hu de 8	NUT M8					
8	RR83	0UN592	RONDELLE GROVER DE 8	WASHER 8					
9	FR2021	0UNA7G	TOLE ENTRETOISE 2 mm	PLATE					
10	CF335A	0UN926	VIS INOX STHC 8 X 25	SCREW M8x25 STAINLESS STEEL					
11	PH77	0UN097	JOINT TORIQUE 18.72 x 2.62	O-RING 18.72 X 2.62					
12	52615	0UN530	COUSSINET XFM-15-17-17	BEARING XFM 1517-15					
13	34410	0UN117	SONDE THERMOSTATIQUE	THERMOSTATIC PROBE					
14	FR4002	0UN434	PLATEAU INOX	STAINLESS STEEL TURNTABLE					
15	28503	0UN582	JOINT PLATEAU COMPLET	GASKET UNIT					
16	28502	0UN974	BUTEE PLATEAU	BASE DIA: 12					
17	NA4028	0UNJLK	VIS EPAULEE GROUPE CAFE	COFFEE GROUP SHOULDER SCREW					
18	FR4000	0UN319	CORPS DE GROUPE	UNIT BODY					
19	FR4011	0UNBLZ	AXE PLATEAU	TURNABLE AXLE					
20	52620	0UN533	PALIER LISSE XSM 1517-15	BEARING XSM 1517-15					
21	53117	0UN517	BUTEE A BILLE 51102 d28xd15x9	THRUST BALL BEARING 28X15X16					
22	FR4019	0UN469	PROTECTION BUTEE A BILLE	BEARING COVER					
23	FR4012	0UN479	ECROU A TETONS	BREAST NUT					
24	FR4013	0UN455	BAGUE DE BLOCAGE	BLOCKING RING					
25	50000	0UN174	VIS TCHC M3 X 10	SCREW M3 X 10					
26	NA1028	0UNJHG	ASM EV CAFE DUO	SUB ASSEMBLY COFFEE EV					
27	CN648	0UN109	COMPTEUR VOLUMETRIQUE Ø1,5	WHOLE W.DOSING DEVICE					
28	DV172	0UN500	JOINT PLAT 11.4 X 7.5 X 1.9	GASKET					
29	23622	0UNJM1	RACCORD COUDÉ G1/4 male D4	90° elbow adaptor G1/4 male D4					
30	NA4024	0UNJLR	RACCORD DOSEUR	FITTING DOSING					
31	CH16	0UN177	JOINT CUIVRE RECUIT 3/8	WASHER - COPPER - 3/8					
32	DO74	0UN416	RACCORD SOUPAPE HP	H.P VALVE CONNECTION					
33	35025	0UN129	EV 3 VOIES 24V D1.2	EV 3 WAYS 24V D1.2					
34	PB21	0UN488	ECROU 3/8 LAITON	FITTING 3/8					
35	FR4030	0UN100	VIS TH M8 X 20 L 180	SCREW M8 X 20 L:180					
36	34210	0UN105	SECURITE THERMIQUE température 115°C	SAFETY THERMOSTAT 115°C					
37	PG15B	0UNA3S	RONDELLE INOX 4.2X10X0.8	WASHER					
38	50106	0UN932	VIS TCHc M4 x 6	SCREW M4 X 6					
39	FR1516	0UNHTR	ENSEMBLE CAPTEUR A FOURCHE	SENSOR KIT					
40	NA4027	0UNJLP	RACCORD GROUPE	FITTING GROUP					
41	28134NSF	0UNJC7	JOINT TORIQUE 2 X 9.5 PERTEC	O RING 2X9,5					
42	23751	0UN088	AXE DE BANJO 1/8	BANJO SCREW					
43	CN51	0UNDTF	VIS INOX TCHC 8 x 20	SCREW M8 X 20					
44	FR4029	0UN468	ENTRETOISE M8	SCREW M8					
45	50702	0UN243	VIS TOLE TC INOX N°6 X 6.4	SCREW					
46	CN343	0UNA3M	RONDELLE EVENTAIL 4	WASHER 4					
47	FR2034	0UNA7K	DEFLECTEUR EJECTION	EJECTION PLATE					
48	FR1550	0UN225	KIT JOINT PLATEAU	PLATE GASKETS KIT					
49	FR1560	0UN001	KIT REFLECTION GROUPE TANGO	TANGO GROUP REBUILT KIT			a;b;c;d;g;h;j;k;l;m;x;y;z;a1; b1;c1;d1		

-  Grease 84236
-  Grease 8104
-  Loctite 222
-  Loctite 262
-  Loctite 542
-  Loctite 5366



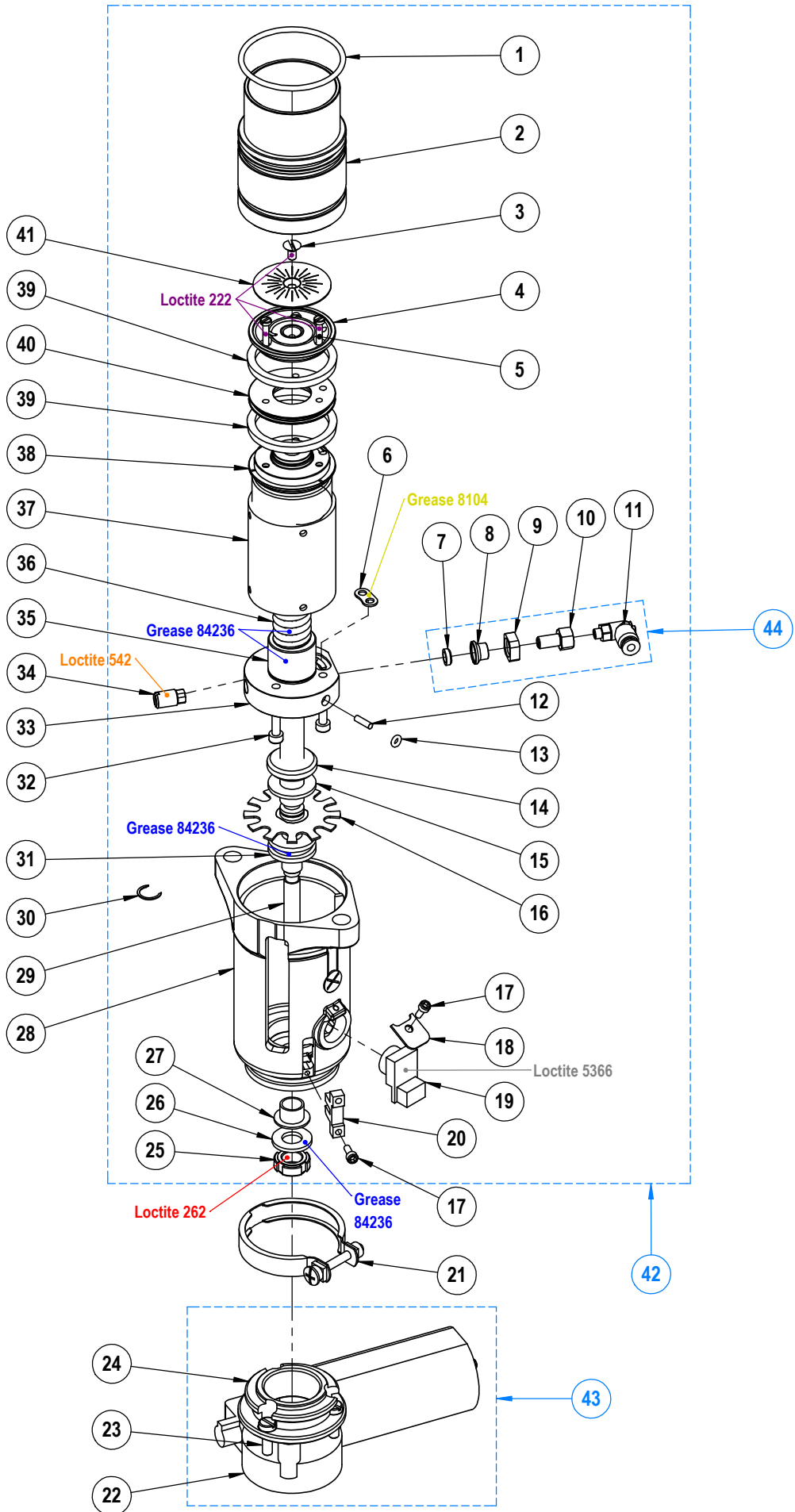
11/22

PISTON COMPLET  
PISTON DEVICE

425

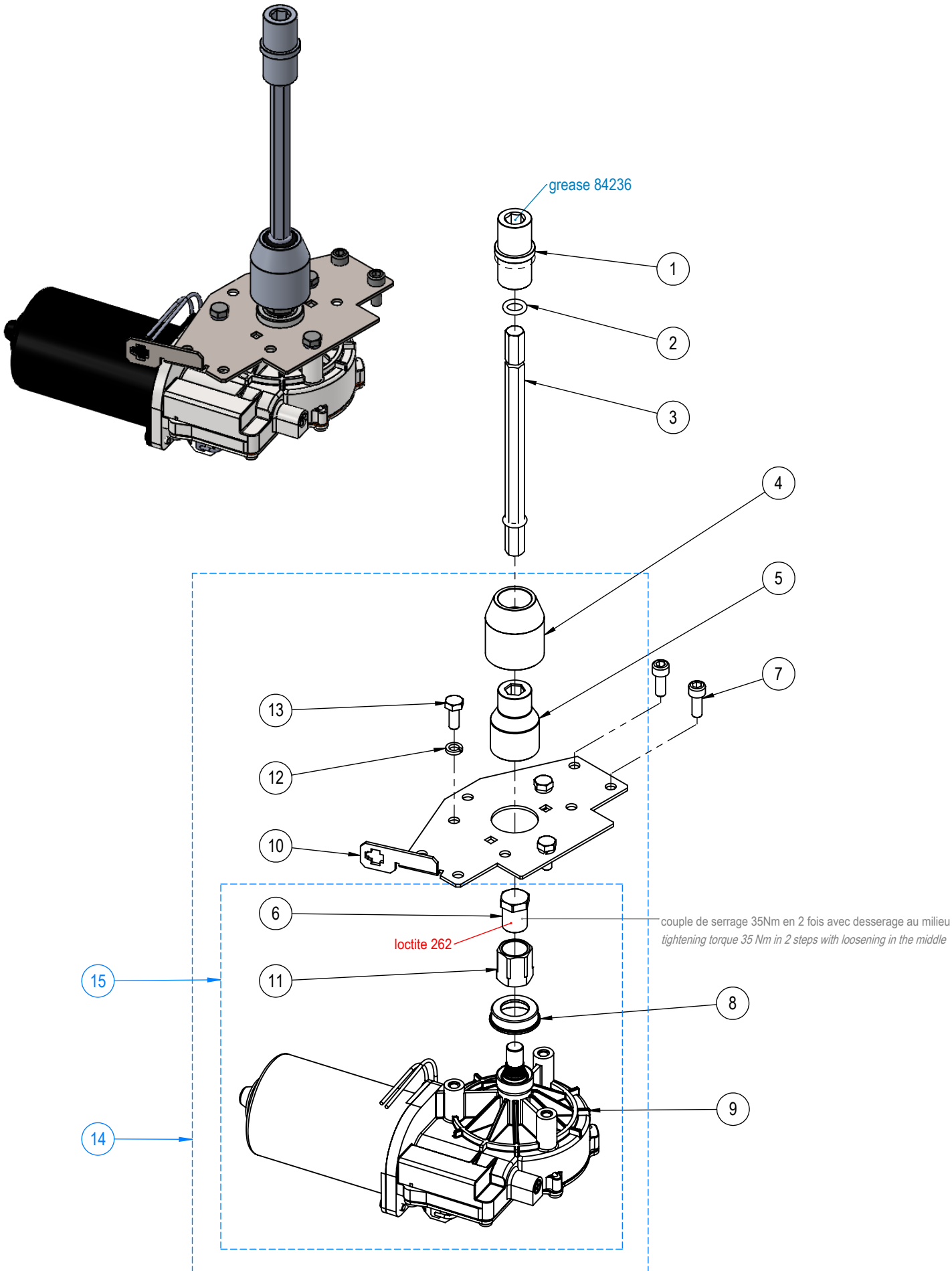
## PLANCHE - PLATE 425

Pos.	Fact. code	Code	Description FR	Description GB	V	W&T	REF.	NOTES	S/N BREAK
1	27820	0UN496	JOINT TORIQUE 2,62 X 47.29 EPDM	GASKET 2.62 X 47.29 EPDM					
2	FR4021	0UN547	CHEMISE	INFUSION CHAMBER					
3	CN128	0UNA7E	VIS INOX TF M4 X 8	SCREW M4 X 8					
4	FR4126	0UN410	PIECE SUPERIEURE	UPPER PART					
5	FR4127	0UN332	JOINT HARICOT	FLAT SEAL					
6	28510	0UN308	JOINT PLAT DE SORTIE CAFE	FLAT GASKET					
7	FR4017	0UN484	ENTRETOISE DE CLAVETTE	COTTER SPACER					
8	FR4018	0UN246	CLAVETTE AUTOLUBRIFIANTE	SELF-LUBRICATING COTTER					
9	FR4025	0UN463	SORTIE CAFE	COFFEE OUTLET SCREW					
10	FR6520	0UN024	TUBE CAFE lg 238 mm	COFFEE PIPE length 238 mm					
11	DO54	0UNA1A	AIMANT DIAM 3 L:10mm	MAGNET DIA:3 L:10mm					
12	TC80	0UN211	JOINT TORIQUE 1,78X2,90 FKM	GASKET 1.78X2.90 FKM					
13	CN489	0UNA09	VIS INOX CHC 4 x 16	SCREW M4 X 16					
14	FR2030	0UNA9E	ROUE CODEUSE ACIER ZINGUE	CODING WHEEL					
15	CN306	0UN997	VIS INOX TCHC 3 x 8	SCREW M3 X 8					
16	FR2028	0UNA9F	TOLE BRIDE	SENSOR HOLDER					
17	CN51	0UNDTF	VIS INOX TCHC 8 x 20	SCREW M8 X 20					
18	36501	0UN111	CAPTEUR Ø16	SENSOR Ø16					
19	FR1010	0UN020	ASM PISTON SANS MOTEUR (FILTRE 33419)	PISTON ASSEMBLY W/O MOTOR (FILTER 33419)				ef,i,r,s,t,u,v,w,e1,f1,g1	
19	FR1070	0UNHTS	ASM PISTON SANS MOTEUR (FILTRE 33447)	PISTON ASSEMBLY W/O MOTOR (FILTER 33447)					
19	FR1081	0UNJU6	ASM PISTON SANS MOTEUR (FILTRE 33448)	PISTON ASSEMBLY W/O MOTOR (FILTER 33448)				n;o;p;q	
20	FR1011	0UN110	ENSEMBLE MOTEUR PISTON	PISTON MOTOR ASSEMBLY					
21	37305	0UN516	MOTOREDUCTEUR 24V 500tr/mn	MOTOREDUCER 24V 500 rpm					
22	FR4028	0UN512	COLERETTE DE FIXATION	PLASTING RING					
23	PE66	0UN452	VIS TC M5 X 16 INOX	SCREW M5 X 16					
24	37219	0UNBY9	COLLIER POUR POMPE FLUIDOTECH	CLAMP					
25	51250	0UN958	ECROU M10 X 75	NUT M10 X 75					
26	51751	0UN450	RONDELLE 10.2 X 20 X 2	WASHER 10					
27	52610	0UN505	COUSSINET XFM 10-12-9	BEARING 10-12-9					
28	FR4020	0UN290	SUPPORT MOTEUR	MOTOR HOLDER					
29	FR4023	0UN583	AXE DU PISTON	PISTON AXLE					
30	53110	0UN340	BUTEE A BILLE 51100 d24xd10x9	THRUST BALL BEARING 24X10X9					
31	52812	0UN581	ANNEAU DIAM 12 EP 0,6	RING DIAM 12 EP 0,6					
32	51800	0UN459	RONDELLE 12 X 24 X 2 INOX	WASHER 12					
33	FR4031	0UN506	BUTEE PLASTIQUE	THRUST					
34	FR4124	0UN411	RONDELLE SORTIE CAFE	COFFEE OUTLET RING					
35	FR4032	0UN521	VIS TETON M8 X 100	SCREW M8 X 100					
36	FR4027	0UN281	ECROU Tr 12 X 3	NUT TR 12 X 3					
37	28820	0UN913	RESSORT ACIER d19.20 X L40 Df:3.2	SPRING Do:19.20 X df:3.2 Lo:40					
38	FR4134	0UN300	BAGUE PTFE	RING PTFE					
39	FR4122	0UN317	PISTON	PISTON					
40	28500	0UN552	JOINT A LEVRE PISTON Ø37,5	GASKET Ø 37.5					
41	FR4123	0UN293	RONDELLE INTERMEDIAIRE PISTON	PISTON GASKET					
42	CN30	0UN685	VIS INOX TC 3 x 16	SCREW M3 X 16					
43	33419	0UN990	FILTRE CAFE 24 - 180 STANDARD	COFFEE FILTER 24 -180 STANDARD				ef,i,r,s,t,u,v,w,e1,f1,g1	
43	33447	0UNA1F	FILTRE CAFE 1 TASSE 24 FENTES SELF	COFFEE FILTER 1 CUP 24 SLOTS SELF					
43	33448	0UN139	FILTRE CAFE 48 FENTES EXPORT	COFFEE FILTER 48 SLOTS EXPORT				n;o;p;q	



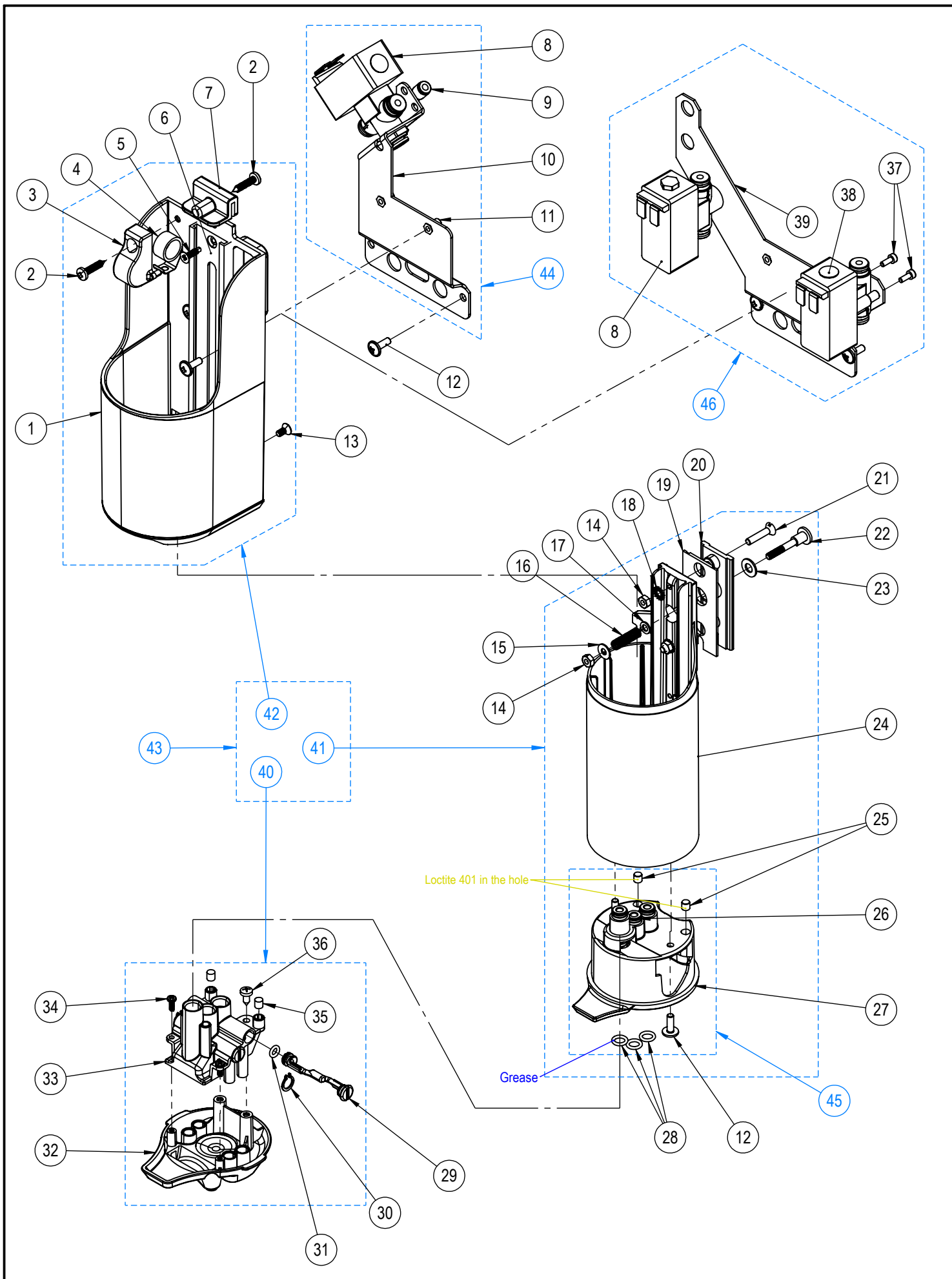
## PLANCHE - PLATE 426

Pos.	Fact. code	Code	Description FR	Description GB	V	W&T	REF.	NOTES	S/N BREAK
1	27820	0UN496	JOINT TORIQUE 2,62 X 47.29 EPDM	GASKET 2.62 X 47.29 EPDM					
2	FR4021	0UN547	CHEMISE	INFUSION CHAMBER					
3	CN128	0UNA7E	VIS INOX TF M4 X 8	SCREW M4 X 8					
4	FR4126	0UN410	PIECE SUPERIEURE	UPPER PART					
5	CN30	0UN685	VIS INOX TC 3 x 16	SCREW M3 X 16					
6	FR4127	0UN332	JOINT HARICOT	FLAT SEAL					
7	28510	0UN308	JOINT PLAT DE SORTIE CAFE	FLAT GASKET					
8	FR4017	0UN484	ENTRETOISE DE CLAVETTE	COTTER SPACER					
9	FR4018	0UN246	CLAVETTE AUTOLUBRIFIANTE	SELF-LUBRICATING COTTER					
10	NA4039	0UNI9B	SORTIE CAFE 1-8"	OUTPUT COFFEE 1/8					
11	23209	0UNI9C	ADAPTATEUR COUDE 90° M5 D4	EBLOW FITTING M5 D4					
12	DO54	0UNA1A	AIMANT DIAM 3 L:10mm	MAGNET DIA:3 L:10mm					
13	TC80	0UN211	JOINT TORIQUE 1,78X2,90 FKM	GASKET 1.78X2.90 FKM					
14	FR4031	0UN506	BUTEE PLASTIQUE	THRUST					
15	51800	0UN459	RONDELLE 12 X 24 X 2 INOX	WASHER 12					
16	FR2030	0UNA9E	ROUE CODEUSE ACIER ZINGUE	CODING WHEEL					
17	CN306	0UN997	VIS INOX TCHC 3 x 8	SCREW M3 X 8					
18	FR2028	0UNA9F	TOLE BRIDE	SENSOR HOLDER					
19	36501	0UN111	CAPTEUR Ø16	SENSOR Ø16					
20	36500	0UN163	CAPTEUR A FOURCHE EFFET HALL	FORK SENSOR					
21	37219	0UNBY9	COLLIER POUR POMPE FLUIDOTECH	CLAMP					
22	37305	0UN516	MOTOREDUCTEUR 24V 500tr/mn	MOTOREDUCTER 24V 500 rpm					
23	PE66	0UN452	VIS TC M5 X 16 INOX	SCREW M5 X 16					
24	FR4028	0UN512	COLERETTE DE FIXATION	PLASTING RING					
25	51250	0UN958	ECROU M10 X 75	NUT M10 X 75					
26	51751	0UN450	RONDELLE 10.2 X 20 X 2	WASHER 10					
27	52610	0UN505	COUSSINET XFM 10-12-9	BEARING 10-12-9					
28	FR4020	0UN290	SUPPORT MOTEUR	MOTOR HOLDER					
29	FR4023	0UN583	AXE DU PISTON	PISTON AXLE					
30	52812	0UN581	ANNEAU DIAM 12 EP 0,6	RING DIAM 12 EP 0,6					
31	53110	0UN340	BUTEE A BILLE 51100 d24xd10x9	THRUST BALL BEARING 24X10X9					
32	CN489	0UNA09	VIS INOX CHC 4 x 16	SCREW M4 X 16					
33	FR4124	0UN411	RONDELLE SORTIE CAFE	COFFEE OUTLET RING					
34	FR4032	0UN521	VIS TETON M8 X 100	SCREW M8 X 100					
35	FR4027	0UN281	ECROU Tr 12 X 3	NUT TR 12 X 3					
36	28820	0UN913	RESSORT ACIER d19.20 X L40 Df:3.2	SPRING Do:19.20 X df:3.2 Lo:40					
37	FR4134	0UN300	BAGUE PTFE	RING PTFE					
38	FR4122	0UN317	PISTON	PISTON					
39	28500	0UN552	JOINT A LEVRE PISTON Ø37.5	GASKET Ø 37.5					
40	FR4123	0UN293	RONDELLE INTERMEDIAIRE PISTON	PISTON GASKET					
41	33419	0UN990	FILTRE CAFE 24 - 180 STANDARD	COFFEE FILTER 24 -180 STANDARD				a;b;c;d;j;k;x;y;z;a1;b1;c1;d1	
41	33447	0UNA1F	FILTRE CAFE 1 TASSE 24 FENTES SELF	COFFEE FILTER 1 CUP 24 SLOTS SELF					
41	33448	0UN139	FILTRE CAFE 48 FENTES EXPORT	COFFEE FILTER 48 SLOTS EXPORT				g;h;l;m	
42	NA1066	0UNJ03	ASM PISTON SS MOTEUR (33419)	PISTON SET W/O MOTOR (33419)				a;b;c;d;j;k;x;y;z;a1;b1;c1;d1	
42	NA1067	0UNJTD	ASM PISTON SS MOTEUR (33447)	PISTON SET W/O MOTOR (33447)					
42	NA1068	0UNJ04	ASM PISTON SS MOTEUR (33448)	PISTON SET W/O MOTOR (33448)				g;h;l;m	
43	FR1011	0UN110	ENSEMBLE MOTEUR PISTON	PISTON MOTOR ASSEMBLY					
44	NA1120	0UNJU9	KIT SORTIE CAFÉ DUO XP	COFFEE OUTPUT DUO XP				a;b;c;d;g;h;j;k;l;m;x;y;z;a1;b1;c1;d1	



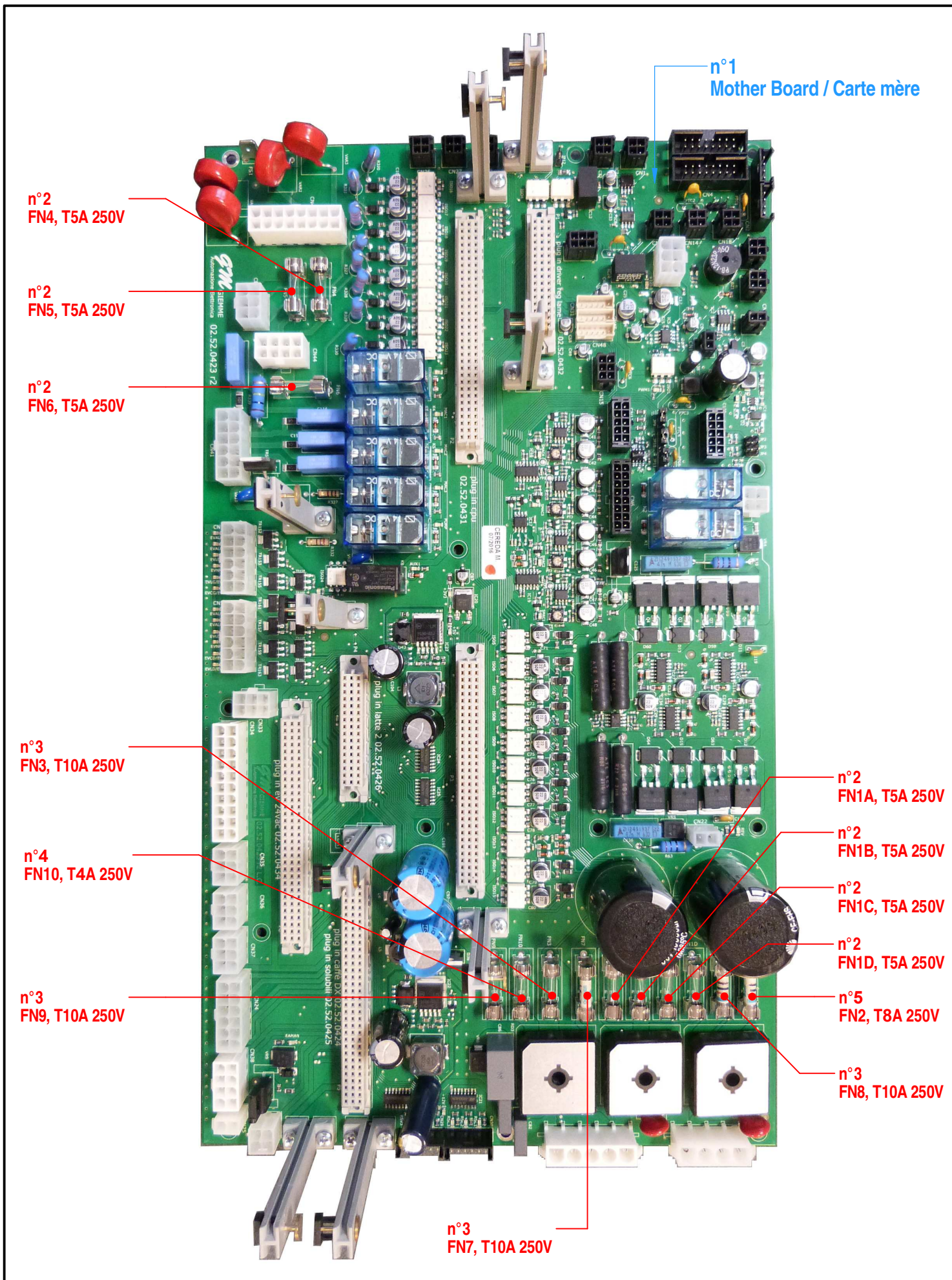
## PLANCHE - PLATE 432

Pos.	Fact. code	Code	Description FR	Description GB	V	W&T	REF.	NOTES	S/N BREAK
1	TG4113	0UNJDN	ACCOUPLLEMENT HAUT	HIGH COUPLING			a;b;c;d;g;h;j;k;l;m;x;y;z;a1; b1;c1;d1		
2	PH78	0UN202	JOINT TORIQUE 2,62X9,13 EPDM	O RING - 9,13 X 2,62			a;b;c;d;g;h;j;k;l;m;x;y;z;a1; b1;c1;d1		
3	FR4015	0UN534	AXE DE TRANSMISSION APRES 04/02	AXLE AFTER 04/2002			a;b;c;d;g;h;j;k;l;m;x;y;z;a1; b1;c1;d1		
4	FR4113	0UN549	RENFORT ALU ACCOUPLEMENT	REINFORCE COUPLING STAINLESS					
5	FR7002	0UN532	DOUILLE POUR MOTEUR MFD351	MOTOREDUCTER RING					
6	TG4112		ECROU ACCOUPLEMENT MOTEUR 37382	MOTOR COUPLING NUT 37382					
7	GR4	0UNA3A	VIS CHC M6 X 16	SCREW M6 X 16					
8	TG4282		ENTRETOISE MAINTIEN JOINT D'AXE	MAINTENANCE SPACER					
9	37382	0UNI9D	MOTOREDUCTEUR 406028	MOTOREDUCTER					
10	TG2082		TOLE SUPPORT MOTEUR 37382	37382 MOTOR HOLDER					
11	TG4110		ACCOUPLLEMENT MOTEUR 37382	MOTOR COUPLING 37382					
12	51655	0UNA5W	RONDELLE GROWER DE 6	WASHER 6					
13	SH28		VIS TH M6 X 16	SCREW M6 X 16					
14	TG1095	0UNI9E	ASM MOTEUR 37382 PLATEAU DUO	TURNTABLE MOTOR ASSEMBLY			a;b;c;d;g;h;j;k;l;m;x;y;z;a1; b1;c1;d1		
15	TG1622	0UNJBI	SOUS ENSEMBLE MOTEUR REDUIT	TANGO TURNTABLE MOTOR SET			a;b;c;d;g;h;j;k;l;m;x;y;z;a1; b1;c1;d1		



## PLANCHE - PLATE 440

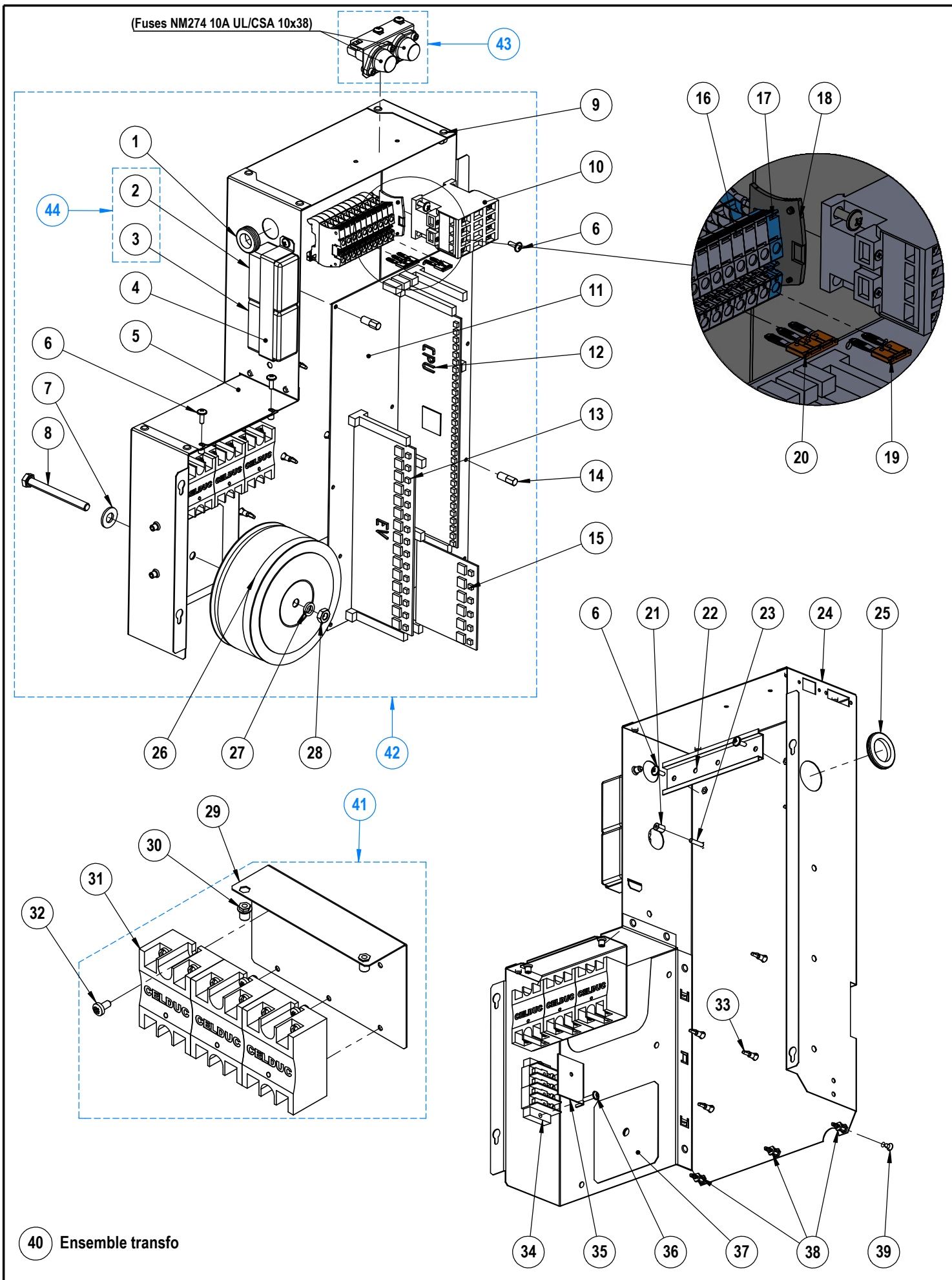
Pos.	Fact. code	Code	Description FR	Description GB	V	W&T	REF.	NOTES	S/N BREAK
1	NA1050		ASM CARENAGE FIXE	SUB ASSEMBLY FIXED FAIRING					
2	50725		VIS PLASTIC TB N°6(3,5) X 19 INOX	PLASTIC SCREW TB N°6(3,5) X 19					
3	NA7026		SUPPORT RESSORT ENROULE	ROLLED UP SPRING HOLDER					
4	NA4008		RESSORT ENROULE	ROLLED UP SPRING					
5	50724		VIS PLASTIC TF N°6(3,5) X 13 INOX	PLASTIC SCREW TF N°6(3,5) X 13					
6	NA2000		RAIL BEC CAFE	COFFEE SPOUT RAIL					
7	NA7027		BUTEE SUPERIEURE	TOP STOPPER					
8	35038	0UNI9F	EV LAIT/AIR 3/2 SEPARATION DN3	ELECTROVALVE 3/2 DN3					
9	23617	0UNJLQ	RACCORD RAPIDE DROIT D:4 F-F	QUICK FITTING D:4 F-F					
10	NA2018		SUPPORT BEC & EV BEC	SUPPORT SHEET COFFEE SPOUT					
11	51065		ECROU A SERTIR M4 INOX	NUT TO CRIMP M4 STAINLESS STEEL					
12	50126	0UN615	VIS TB CRUCIFORME A EMBASE M4 x 12	CRUCIFORM SCREW M4 x 12				MOQ = 50	
13	50722		VIS PLASTIC TF N°6(3,5) X 8 INOX	PLASTIC SCREW TF N°6(3,5) X 8					
14	PG14	0UN277	ECROU M4	NUT M4					
15	PG15B	0UNA3S	RONDELLE INOX 4.2X10X0.8	WASHER					
16	28806	0UNC40	RESSORT DE CLAPET ET DEVETISSEUR	SHEDDER SPRING					
17	PG15	0UNG9F	RONDELLE LAITON DE 4 TYPE Z	WASHER					
18	CN343	0UNA3M	RONDELLE EVENTAIL 4	WASHER 4					
19	NA4005		GLISSIERE ARRIERE BEC	BACK SLIDER COFFEE SPOUT					
20	NA4004		GLISSIERE AVANT BEC	FRONT SLIDER COFFEE SPOUT					
21	CN124	0UNA1R	VIS INOX TF 4 x 20	SCREW M4 X 20					
22	NA4006		AXE COMPRESSION	COMPRESSION AXLE					
23	51602	0UNDLL	RONDELLE INOX MOYENNE DE 5	WASHER					
24	NA1051		ASM CARENAGE MOBILE	SUB ASSEMBLY MOBILE FAIRING					
25	NA4035		AIMANT CYLINDRIQUE DIAM 5X5	CYLINDRICAL MAGNET DIAM 5X5					
26	23201		INSERT D4 - INOX	INSERT D4					
27	NA7030		DISTRIBUTEUR PRODUITS	PRODUCTS DISPENSER					
28	ID62	0UNFDA	JOINT TORIQUE POUR EV PI-45	SOLENOID O'RING - GROUP					
29	NA7034		REPATITEUR PRODUITS	REPATITOR SHAFT					
30	52801	0UN533	PALIER LISSE XSM 1517-15	BEARING XSM 1517-15					
31	RR38	0UN119	JOINT TORIQUE 1,78X4,48 EPDM	GASKET - 4,48 X 1,78					
32	NA7032	0UNJBC	LANGUETTE BEC CAFE	COFFEE SPOUT NOZZLE HANDLE					
33	NA7033		NEZ BEC CAFE	COFFEE SPOUT NOZZLE					
34	50716	0UNA5Y	VIS TCBZ 3X8	SCREW TCBZ 3X8					
35	NA4034		CYLINDRE FERRETIQUE DIAM 5X5	FERRETIC CYLINDER DIAM 5X5					
36	PG51	0UN915	VIS TOLE TC Ac Zn 3,9 X 9,5	SHEET SCREW 3,9 x 9,5					
37	CN306	0UN997	VIS INOX TCHC 3 x 8	SCREW M3 X 8					
38	35504	0UNI9N	EV 24V DC D4FF DN1,5	2 WAYS 24VDC Ø4FF DN1,5					
39	NA2043		SUPPORT BEC & EV BEC 1GR	SUPPORT SHEET COFFEE SPOUT					
40	NA1020	0UNI9G	BEC CAFE AMOVIBLE	REMOVABLE COFFEE SPOUT					
41	NA1021	0UNJNV	BEC CAFE MOBILE	MOVABLE COFFEE SPOUT					
42	NA1022	0UNJNX	BEC CAFE FIXE	FIXED COFFEE SPOUT					
43	NA1007	0UNI9H	ASM BEC CAFE	COFFEE SPOUT			a;c;g;j;k;l;x;y;a1;b1		
43	NA1079	0UNJCO	ASM BEC CAFE POUR LAIT	COFFEE SPOUT FOR MILK			b;d;F,h;m;z;c1;d1		
44	NA1042	0UNJHA	ASM SUPPORT EV BEC CAFE	COMPLETE COFFEE SPOUT EV			a;c;g;j;k;l;x;y;a1;b1;b;d;h;m;z;c1;d1		
45	NA1071	0UNJU7	ASM PORTE BEC CAFE	ASSEMBLY COFFEE SPOUT HOLDER					
46	NA1083	0UNJNY	ASM SUPPORT EV BEC CAFE SOLO	COMPLETE COFFEE SPOUT EV			e;f;i;n;o;p;q;r;s;t;u;v;w;e1;f1;g1		



## PLANCHE - PLATE 502

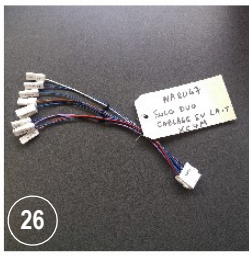
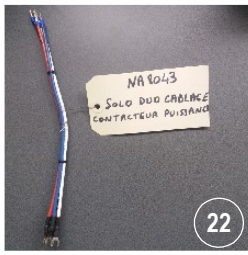
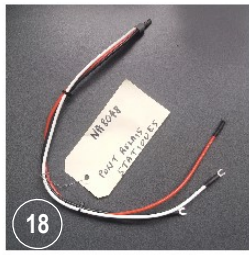
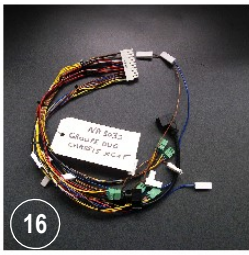
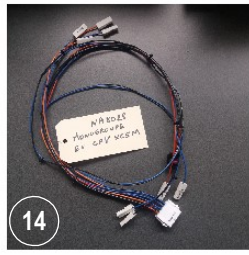
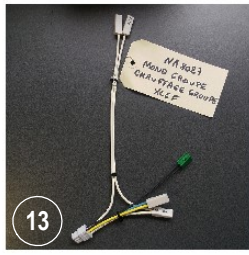
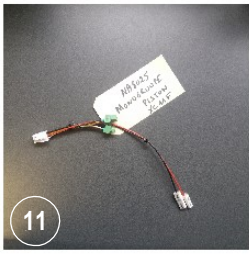
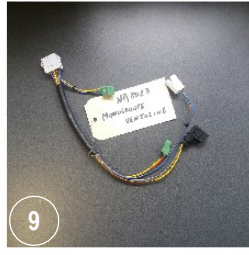
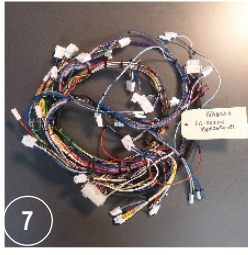
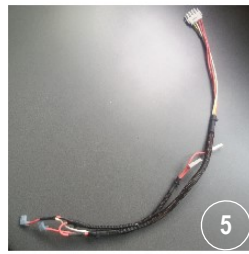
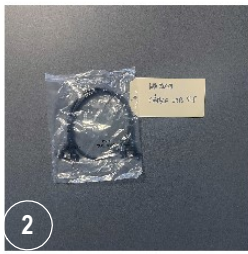
Pos.	Fact. code	Code	Description FR	Description GB	V	W&T	REF.	NOTES	S/N BREAK
1	45387R4	0UNJ11	CARTE MERE TANGO ST Version R4	MOTHER BOARD R4					
2	43115	0UN115	FUSIBLE 5 X 20 5A RETARDE T	FUSE 5A DELAYED					
3	43112	0UN930	FUSIBLE 5 X 20 10A RETARDE T	FUSE 10A DELAYED					
4	43102	0UN062	FUSIBLE 5 X 20 4A 250V RETARDE T	FUSE 4A DELAYED					
5	43108	0UNJK9	FUSIBLE 8A retardé - 5 X 20 - T8AL 250V	FUSE 8A DELAYED					

FN1A	5A / EV-AC1-A / MODULE 24V: EVRE - EVSE - EVSV - EVNC - EVNK/EVNC - EVA - EVV	
FN1B	5A / EV-AC1-B / MODULE SOLUBLE: MT1 - MT2 - FAN SOL - EVKD/EVM1 - EAED/EVM2 MODULE CAFE DX: EVKD/EVM1 - EAED/EVM2 - EVCD - EVP2 - EVLD - EVS2	
FN1C	5A / EV-AC1-C / MODULE 24V: EVNKG - EVAEG EVLG - EVCG - EVP1 - EVS1	
FN1D	5A / EV-AC1-D / MODULE 24V: EVAL1 - EVNL1 - EVVL1 - EVAL2 - EVNL2 - EVLL2	
FN2	8A / 22V / ALIM MOTEUR PISTON & PLATEAU	PISTON & TURNTABLE MOTOR SUPPLY
FN3	10A / 19V / +24V SECONDAIRE TRANSFO	TRANSFO SECONDARY
FN4	5A / TELERUPTEUR	STEPPING SWITCH
FN5	5A / NEUTRE	NEUTRAL
FN6	5A / RELAIS / MAC1 - MAC2 - MAC3 - GET1 - GET2 - GET3 - POMPE - AUX1 - CHGR	
FN7	10A / +V PLATEAU / MOTEUR PLATEAU	TURNTABLE MOTOR
FN8	10A / +V PISTON / MOTEUR PISTON	PISTON MOTOR
FN9	10A / +24V CONTINU + POMPE LAIT	DC + MILK POMP
FN10	4A / +12V, +9V, +5V, +3.3V BASSE TENSION CONTINUE ALIM CAPTEUR	



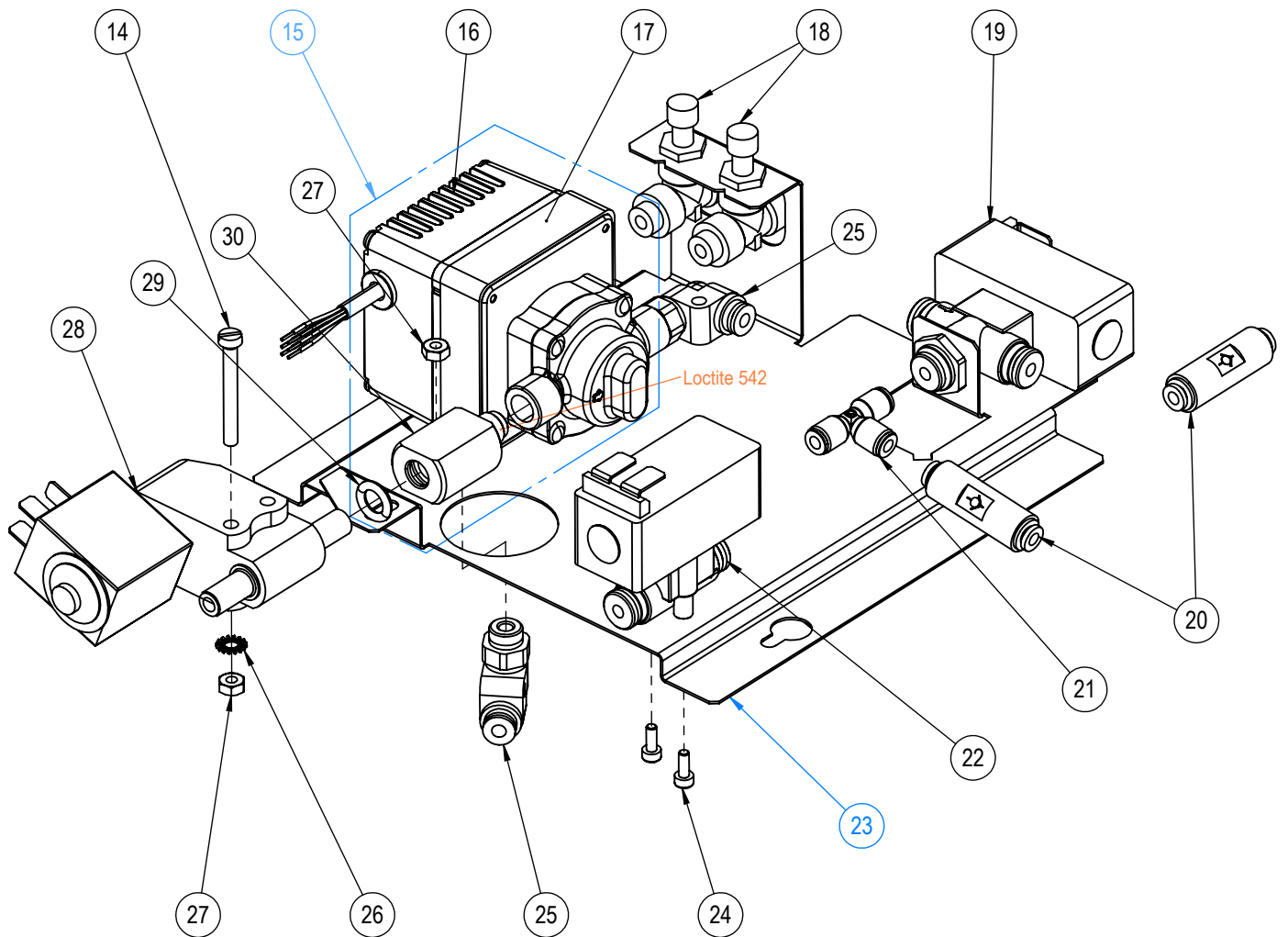
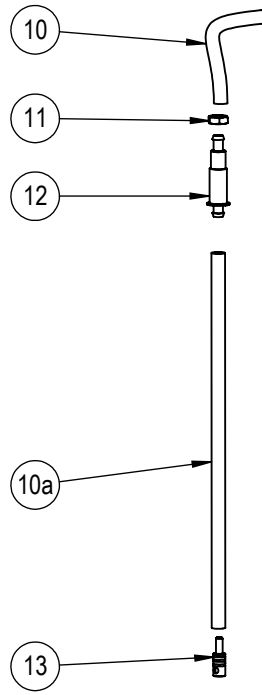
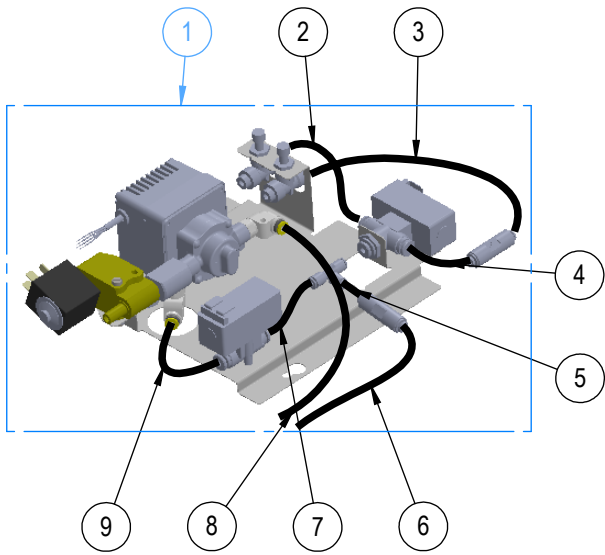
## PLANCHE - PLATE 520

Pos.	Fact. code	Code	Description FR	Description GB	V	W&T	REF.	NOTES	S/N BREAK
1	ED72	0UNJQ9	PASSE-FIL CAOUTCHOUC 16/22/27	GROMMET					
2	44725	0UNJRA	FILTRE CEM 16A 250V/440V 50/60Hz	EMC FILTER FA.20.004-16A			ab;c;d;e;f;ij;k;r;s;t;u;v;w;x; y;z;a1;b1;c1;d1;e1;f1; g1		
3	44727		FILTRE CEM 250V 50/60Hz	EMC FILTER 250V 50/60Hz					
4	NA2031	0UNJRB	TOLE SUPPORT FILTRE EMC	EMC FILTER HOLDER					
5	NA2009		TOLE FERMETURE POUR HYBRIDE	CLOSING SHEET FOR HYBRID					
6	50126	0UN615	VIS TB CRUCIFORME A EMBASE M4 x 12	CRUCIFORM SCREW M4 x 12				MOQ = 50	
7	CH62	0UN835	RONDELLE ACIER ZINGUEE DE 10	WASHER					
8	50420	0UNJRC	VIS TH M8 X 70 ZN	SCREW M8 X 70 ZN					
9	52008		RIVET INOX Ø4	SNAP RIVET STAINLESS STEEL					
10	43800	0UN087	CONTACTEUR TETRA. 220V 25A 50HZ	CONTACTOR 220V 25A 50Hz			ab;c;d;e;f;ij;k;r;s;t;u;v;w;x; y;z;a1;b1;c1;d1;e1;f1; g1		
10	43801	0UN578	CONTACTEUR TETRA. 200V 60HZ	CONTACTOR 200V 60HZ			gh;l;m;n;o;p;q		
11	45387R4	0UNJ11	CARTE MERE TANGO ST Version R4	MOTHER BOARD R4					
12	45381	0UN094	CARTE CPU	CPU CARD					
13	45382	0UN098	CARTE DRIVER EV	ELECTROVALVE DRIVER CARD					
14	51053	0UN924	ECROU LONG M4	LONG NUT M4					
15	45384	0UN084	CARTE MODULE 2EME PISTON	MODULE CARD 2ND PISTON			ab;c;d;g;h;j;k;l;m;x;y;z;a1; b1;c1;d1		
16	41440	0UNJTE	BORNIER GRIS ZS10 - K508010	TERMINAL BLOCK GREY					
17	41441	0UNJTF	BORNIER BLEU ZS10 - K508020	TERMINAL BLOCK BLUE					
18	41446	0UNJTG	JOUE EXTREMITE BORNIER - ES4 - K505910	FLANGE TERMINAL BLOCK					
19	41442	0UNJTH	JUMPER 2 POLES - JB8-2 K908302	2 STUDS STRIP					
20	41443	0UNJTI	JUMPER 3 POLES - JB8-3 K908303	3 STUDS STRIP					
21	CN651	0UN940	ENTRETOISE COURTE DU C.I.	SHORT SPACER FRAME					
22	FR2013	0UNE51	RAIL	RAIL					
23	CN124	0UNA1R	VIS INOX TF 4 x 20	SCREW M4 X 20					
24	NA2008		TOLE ELECTRONIQUE HYBRIDE	HYBRID ELECTRONIC SHEET					
25	42003	0UNDBY	PASSE FIL Ø38	GROMMET Ø38					
26	44200	0UN360	TRANSFO TOROIDAL 540 Va / 200-230-240-22-19V	TRANSFORMER 540Va / 200-230-240-22-19V					
27	RR83	0UN592	RONDELLE GROVER DE 8	WASHER 8					
28	PE12	0UN430	ECROU M8	NUT M8					
29	NA2010		TOLE SUPPORT RELAIS STATIQUES	STATIC RELAY SUPPORT SHEET					
30	51065		ECROU A SERTIR M4 INOX	NUT TO CRIMP M4 STAINLESS STEEL					
31	44410	0UN169	RELAIS STATIQUE 25A	SOLID STATE RELAY 25A					
32	50104	0UNDK1	VIS AUTOFORMEUSE TC M4 X 8	SCREW M4 X 8					
33	42400	0UN312	ENTRETOISE PLASTIQUE FIX CARTE	PLASTIC PCB SUPPORT					
34	41402	0UNJTI	BARRETTE 4 POLES	TERMINAL BOARD					
35	41403	0UNJRD	PROTECTION 4 POLES	COVER					
36	CN489E	0UNBLN	VIS INOX CHC 4 x 16 A EMBASE	SCREW M4 X 16 WITH BASE					
37	NA2011		TOLE SUPPORT TRANSFO	TRANSFO SUPPORT SHEET					
38	42403		ENTRETOISE PLASTIQUE FIX CARTE	PLASTIC PCB SUPPORT					
39	50706	0UNDLF	VIS PARKER N6 9.5 SP CRUCIF.	PARKER SCREW					
40	NA1043	0UNJRF	ASM TRANSFO	COMPLETE TRANSFO					
41	NA1044	0UNJNQ	ASM RELAIS STATIQUES	COMPLETE STATIC RELAY					
42	NA1013	0UNJO6	BOITE ELECTRONIQUE NEXT GEN	ELECTRONIC BOX					
43	TG1043	0UNJNR	ENSEMBLE PORTE FUSIBLE UL	FUSES			gh;l;m;n;o;p;q		
44	44728		Kit filtres CEM Tango XP	EMC FILTER KIT					



## PLANCHE - PLATE 551

Pos.	Fact. code	Code	Description FR	Description GB	V	W&T	REF.	NOTES	S/N BREAK
1	NA8007	0UNJFF	CABLE STEAMAIR	STEAMAIR WIRE			gh;jk;l;m;n;o;p;q;s;v;y;b1; d1;f1;g1		
2	NA8008	0UNJHD	CABLE USB A F-F	USB WIRE					
3	NA8012		CABLAGE RESISTANCE CAFE UL	UL COFFEE HEATING ELEMENT WIRE			gh;l;m;n;o;p;q		
4	NA8013		CABLAGE RESISTANCE VAPEUR UL	UL STEAM HEATING ELEMENT WIRE			gh;l;m;n;o;p;q		
5	NA8014		CABLAGE RESISTANCE CAFE	COFFEE HEATING ELEMENT WIRE			a;b;c;d;e;f;i;j;k;r;s;t;u;v;w; x;y;z;a1;b1;c1;d1;e1;f1; g1		
6	NA8015		CABLAGE RESISTANCE VAPEUR	STEAM HEATING ELEMENT WIRE			a;b;c;d;e;f;i;j;k;r;s;t;u;v;w; x;y;z;a1;b1;c1;d1;e1;f1; g1		
7	NA8021		GROUPE SOLO FAISCEAU	WIRING HARNESS 1 GROUP			e;f;i;n;o;p;q;r;s;t;u;v;w;e1;f1; g1		
8	NA8022		GROUPE DUO FAISCEAU	WIRING HARNESS 2 GROUPS			a;b;c;d;g;h;j;k;l;m;x;y;z;a1; b1;c1;d1		
9	NA8023		GROUPE SOLO VENTOLINE	VENTOLIN 1 GROUP			e;f;i;n;o;p;q;r;s;t;u;v;w;e1; f1;g1		
10	NA8024		GROUPE SOLO CHASSIS XC1F	XC1F FRAME 1 GROUP			e;f;i;n;o;p;q;r;s;t;u;v;w;e1; f1;g1		
11	NA8025		GROUPE SOLO PISTON XC11F	XC1F PISTON 1 GROUP			e;f;i;n;o;p;q;r;s;t;u;v;w;e1; f1;g1		
12	NA8026		GROUPE SOLO RALLONGE MOTEUR PLATEAU	TURNTABLE ENGINE EXTENTION 1 GROUP			e;f;i;n;o;p;q;r;s;t;u;v;w;e1; f1;g1		
13	NA8027		GROUPE SOLO CHAUFFAGE GROUPE XC6F	XC6F GROUP HEATING 1 GROUP			e;f;i;n;o;p;q;r;s;t;u;v;w;e1; f1;g1		
14	NA8028		GROUPE SOLO EV CPV XC5M	XC5M CPV EV 1 GROUP			e;f;i;n;o;p;q;r;s;t;u;v;w;e1; f1;g1		
15	NA8029		GROUPE DUO CHAUFFAGE GROUPE XC6F	XC6F GROUP HEATING 2 GROUPS			a;b;c;d;g;h;j;k;l;m;x;y;z;a1; b1;c1;d1		
16	NA8030		GROUPE DUO CHASSIS XC1F	XC1F FRAME 2 GROUPS			a;b;c;d;g;h;j;k;l;m;x;y;z;a1; b1;c1;d1		
17	NA8031		GROUPE DUO EV CPV XC5M	XC5M CPV EV 2 GROUPS			a;b;c;d;g;h;j;k;l;m;x;y;z;a1; b1;c1;d1		
18	NA8048		SOLO DUO CABLAGE RELAIS STATIQUES	STATICS RELAIS 2 GROUPS					
19	NA8040		SOLO DUO SONDAS XC2F	XC2F PROBES					
20	NA8041		SOLO DUO SONDAS THK XC3F	XC3F THK PROBE					
21	NA8042		SOLO DUO SECURITE BAC A MARC CN20	CN20 WASTE DRAWER SECURITY					
22	NA8043		SOLO DUO CABLAGE CONTACTEUR PUISSANCE	POWER SUPPLY WIRING					
23	NA8044		SOLO DUO CABLE NAPPE	SOLO DUO WIRE LAYER					
24	NA8045		SOLO DUO CABLAGE RELAIS STATIQUE	STATICS RELAIS WIRING					
25	NA8046		SOLO DUO CABLAGE TERRE CHAUDIERE	BOILER EARTH WIRING					
26	NA8047		SOLO DUO CABLAGE EV LAIT XC4M	XC4M MILK EV					
27	TG8022		CABLE ALIMENTATION MOTEUR	ALIMENTATION MOTOR WIRE					



Montage après 09/2018 version V2  
 Mounting after 09/2018 V2 version

05/23

OPTION POMPE LAIT "BLOC POMPE LAIT"  
 "MILK PUMP BLOCK" MILK PUMP KIT

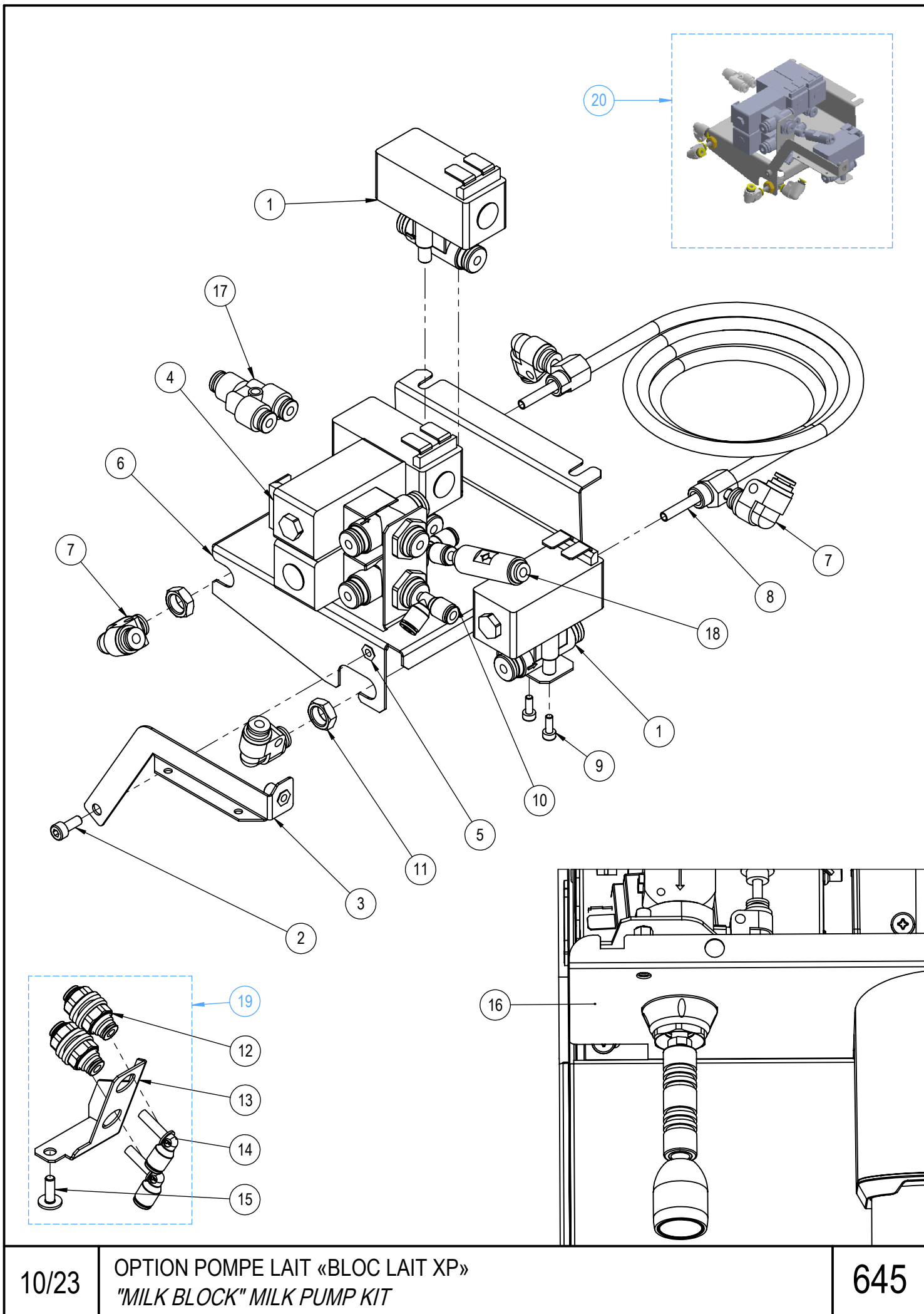
642

## PLANCHE - PLATE 642

Pos.	Fact. code	Code	Description FR	Description GB	V	W&T	REF.	NOTES	S/N BREAK
1	TG1360	0UN421	BLOC LAIT MODULE ST (V2)	BLOCK MILK MODULE ST			b;d,f,h;i;m;o;q;t;w;z;c1;d1		
2	TG6536	0UN822	TUBE PTFE D:4 L:130mm	PTFE PIPE D:4 L:130mm					
3	TG6534	0UN852	TUBE PTFE D:4 L:100mm	PTFE PIPE D:4 L:100mm					
4	TG6539	0UN853	TUBE PTFE D:4 L:250mm	PTFE PIPE D:4 L:250mm					
5	TG6534	0UN852	TUBE PTFE D:4 L:100mm	PTFE PIPE D:4 L:100mm					
6	TG6541	0UN854	TUBE PTFE D:4 L:400mm	PTFE PIPE D:4 L:400mm					
7	TG6535	0UN821	TUBE PTFE D:4 L:110mm	PTFE PIPE D:4 L:110mm					
8	TG6543	0UN670	TUBE PTFE D:4 L:450mm	PTFE PIPE D:4 L:450mm					
9	TG6537	0UN669	TUBE PTFE D:4 L:150mm	PTFE PIPE D:4 L:150mm					
10	NA6502	0UNJDZ	12740 DIAM 5-9 L: 1M	12740 DIAM 5-9 L: 1M				LG: 120MM	
10a	NA6502	0UNJDZ	12740 DIAM 5-9 L: 1M	12740 DIAM 5-9 L: 1M				LG: 300MM	
11	51351	0UN296	ECROU 1/8	NUT 1/8					
12	TG4050	0UN652	PASSE CLOISON	BULKHEAD					
13	26153	0UN078	REDUCTEUR CAPPUCCINATORE D2.5	CAPPUCCINATORE REDUCER D2.5					
14	50120	0UN757	VIS TC M4X35 INOX	S.STEEL SCREW M4X35					
15	TG1302	0UN402	KIT POMPE LAIT AVEC RACCORD	KIT MILK PUMP WITH FITTING					
16	37285	0UN074	MOTEUR POMPE 24V AVEC CABLE	PUMP MOTOR 24V					
17	37286	0UN674	ENSEMBLE FIXATION POUR POMPE 24V	FIXING SET FOR 24V PUMP					
18	23619	0UN044	REGLAGE AIR MICROMETRIQUE C/F D:4 F-F	SETTING AIR HOT/COLD D:4 F-F					
19	35038	0UN19F	EV LAIT/AIR 3/2 SEPARATION DN3	ELECTROVALVE 3/2 DN3					
20	23618	0UN107	CLAPET ANTI-RETOUR D:4 F-F	NON RETURN VALVE D:4 F-F					
21	23612	0UN036	RACCORD RAPIDE TE 3V D:4F	QUICK FITTING TE 3W D:4F					
22	35508	0UN061	EV 24V DC D4FF DN2,5	2 WAYS 24VDC Ø4FF DN2,5					
23	TG2659	0UNA00	SUPPORT CIRCUIT LAIT + GOUJON	MILK CIRCUIT HOLDER + SCREW					
24	CN306	0UN997	VIS INOX TCHC 3 x 8	SCREW M3 X 8					
25	23615	0UN120	RACCORD RAPIDE COUDE D:4 F-1/8G	ELBOW QUICK FITTING D:4 F-1/8G					
26	CN343	0UNA3M	RONDELLE EVENTAIL 4	WASHER 4					
27	PG14	0UN277	ECROU M4	NUT M4					
28	35550	0UN022	ELECTROVANNE N.O 24V 50HZ	ELECTROVALVE N.O 24V 50HZ					
29	27821	0UN240	JOINT TORIQUE 2,62 X 7,59	O-RING 2,62 X 7,59					
30	TG4040	0UN851	RACCORD EN T ENTREE POMPE LAIT	FITTING FOR MILK PUMP					

Montage après 09/2018 (version V2)

Mounting after 09/2018 (V2 version)



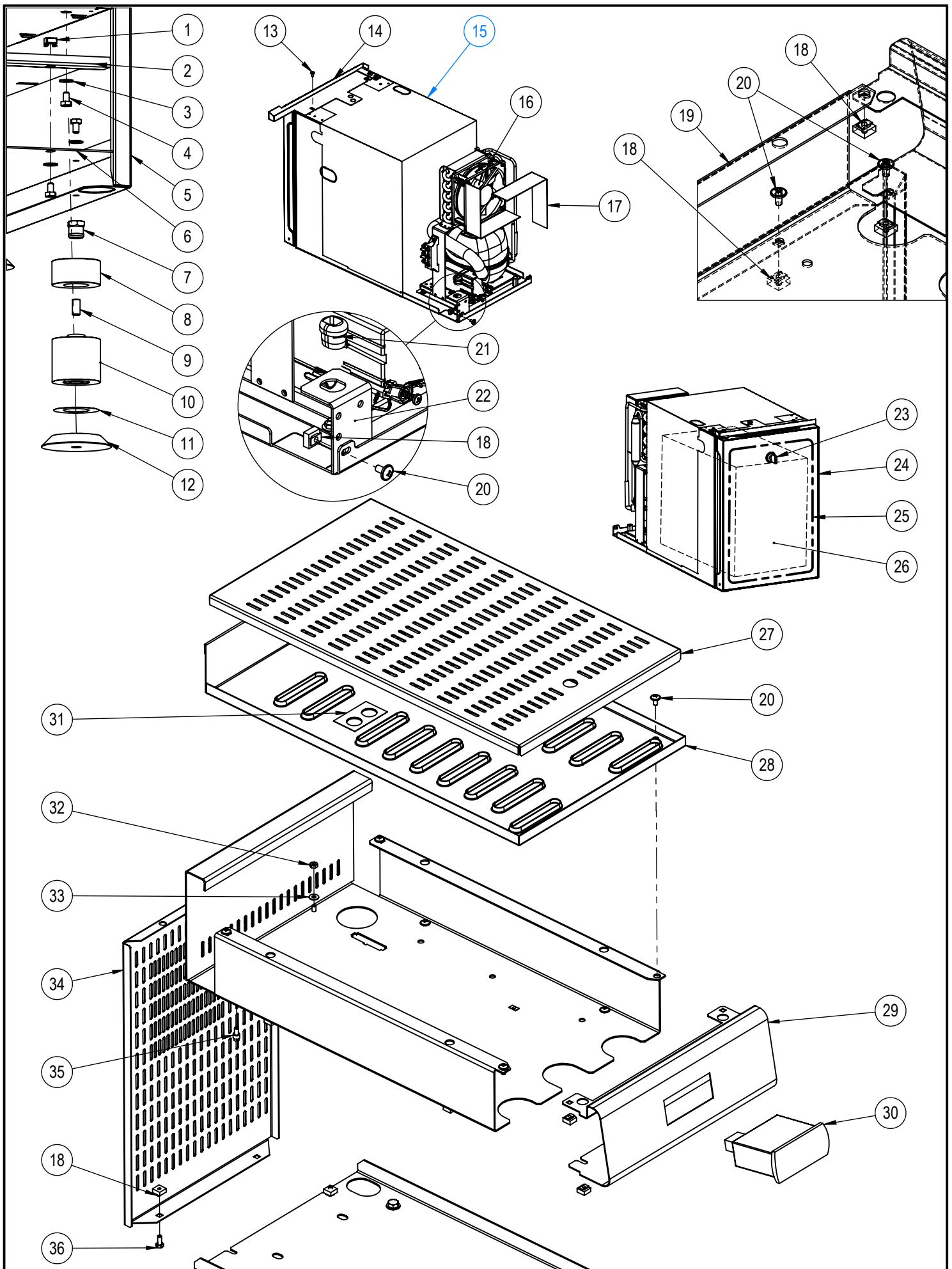
10/23

OPTION POMPE LAIT «BLOC LAIT XP»  
 "MILK BLOCK" MILK PUMP KIT

645

## PLANCHE - PLATE 645

Pos.	Fact. code	Code	Description FR	Description GB	V	W&T	REF.	NOTES	S/N BREAK
1	35508	0UN061	EV 24V DC D4FF DN2,5	2 WAYS 24VDC Ø4FF DN2,5					
2	PE59	0UN201	VIS TCHC M4x10 INOX	SCREW 4 X 10					
3	NA2028		TOLE RENFORT BLOC	REINFORCED SHEET METAL					
4	35038	0UNI9F	EV LAIT/AIR 3/2 SEPARATION DN3	ELECTROVALVE 3/2 DN3					
5	51065		ECROU A SERTIR M4 INOX	NUT TO CRIMP M4 STAINLESS STEEL					
6	NA2023		TOLE SUPPORT BLOC LAIT XP	SHEET METAL STP SYSTEM					
7	23613	0UN047	RACCORD RAPIDE COUDE 2V D:4 F-F	ELBOW QUICK FITTING 2W D:4 F-F					
8	TG6040	0UN261	TUBE SERPENTIN VAPEUR INOX	HEATING COIL PIPE FOR STEAM					
9	CN306	0UN997	VIS INOX TCHC 3 x 8	SCREW M3 X 8					
10	23614	0UN049	RACCORD RAPIDE T 3V D:4 M-F-F	QUICK FITTING T 3W D:4 M-F-F					
11	51351	0UN296	ECROU 1/8	NUT 1/8					
12	23610	0UN046	RACCORD RAPIDE DROIT PASSE CLOISON	QUICK FITTING BULKHEAD					
13	NA2027		TOLE CONNEXION TUBES	CONNEXION PIPE					
14	23611	0UN039	EQUERRE RACCORD RAPIDE PASSE CLOISON	BULKHEAD CONNECTOR					
15	50126	0UN615	VIS TB CRUCIFORME A EMBASE M4 x 12	CRUCIFORM SCREW M4 x 12				MOQ = 50	
16	NA3053	0UNJND	FINIT. DESSOUS CALANDRE 1 LAIT	UNDER DISPLAY FINISH 1GR, MILK			f,i;o;q;t,w		
16	NA3054	0UNJNE	FINIT. DESSOUS CALANDRE 2 LAIT	UNDER DISPLAY FINISH 2GR, MILK			b;d;h;m;z;c1;d1		
17	23623	0UNJU8	RACCORD RAPIDE Y D6F-2xD4F	QUICK FITTING Y D6F-2xD4F					
18	23618	0UN107	CLAPET ANTI-RETOUR D:4 F-F	NON RETURN VALVE D:4 F-F					
19	NA1053	0UNJNK	ASM TOLE CONNEXION TUBES	PIPES LINK SET			b;d;h;m;z;c1;d1		
20	NA1054	0UNJE4	BLOC LAIT MACHINE VERSION XP AVEC TUBES	BLOCK MILK FOR MACHINE WITH PIPE			b;d;f;h;j;m;o;q;t;w;z;c1;d1		



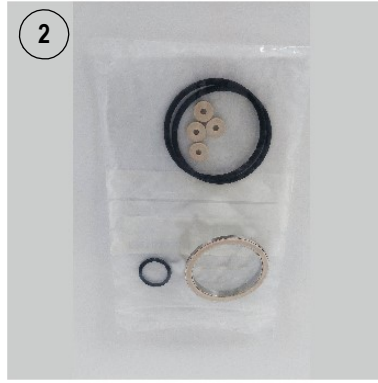
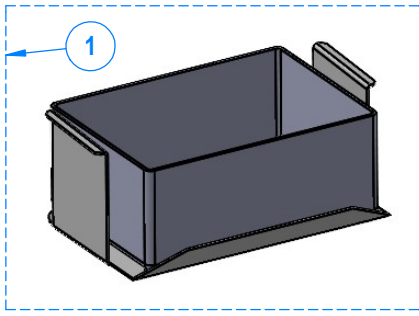
03/23

CARROSSERIE MODULE FRIGO FG16 XP  
 A BODY OF FG16 FRIDGE MODULE

646

## PLANCHE - PLATE 646

Pos.	Fact. code	Code	Description FR	Description GB	V	W&T	REF.	NOTES	S/N BREAK
1	52506	0UN279	ECROU CAGE M6 X ep 1	INSERT NUT M6					
2	TG0566	0UN713	SUPPORT FG16	FRIDGE HOLDER					
3	PH32	0UN278	RONDELLE ACIER Zn 6,25x14x1,2	WASHER					
4	51255	0UN971	VIS TH M6 X 10 INOX	S. STEEL SCREW M6 X 10					
5	TG3600	0UN737	COTE D&G FG16	RIGHT & LEFT SIDE					
6	TG0567	0UN799	CHASSIS INFERIEUR FG16	LOWER CHASSIS					
7	54010	0UN482	ECROU FIXATION PIED DIAM 50	SPECIAL NUT FOR FOOT					
8	NM002	0UN502	PIED CAOUTCHOUC NOIR	FOOT					
9	50402	0UNBVJ	VIS TCHC TETE BASSE M8X16 INOX	S.STEEL SCREW M8 X 16					
10	NM236	0UN371	PIED ALU D50 H44.5	FOOT H44.5					
11	45939	0UN282	ADHESIF PIED MACHINE	STICKER FOOT					
12	NZ7024	0UN315	PATIN PIED ARRIERE	REAR RUBBER FOOT					
13	PG51	0UN915	VIS TOLE TC Ac Zn 3,9 X 9,5	SHEET SCREW 3,9 x 9,5					
14	NA3055	0UNJRG	CORNIERE FG16 XP	SHEET METAL CORNER					
15	93009	0UN684	FRIGO VITRIFRIGO 9 LITRES 220-240V	VITRIFRIGO 9 LITERS 220-240V			b,d,f,i;t,w,z;c1;d1		
15	93019	0UN832	FRIGO VITRIFRIGO 9 LITRES 115V	VITRIFRIGO 9 LITERS 115V			h,m;o,q		
16	93028	0UNJNY	VENTILATEUR POUR FRIGO	FAN FOR FRIDGE					
17	TG2076	0UN806	TOLE CONDUIT VENTILATEUR	SHEET METAL FOR FAN					
18	CN661	0UN184	ECROU CAGE M4, EP 1/1.6	INSERT NUT M4					
19	TG0568	0UN664	CHASSIS SUPERIEUR FG16	HIGH CHASSIS					
20	50125	0UNA68	VIS TB CRUCIFORME A EMBASE M4 x 8	CRUCIFORM SCREW M4 x 8					
21	42000	0UN550	SERRE CABLE D:9 HEYCO	CABLE CLAMP					
22	TG0565	0UN632	SUPPORT CONNECTIQUE	CONNECTORS HOLDER					
23	93029	0UNJTD	SERRURE ET 2 CLES	LOCK WITH 2 KEYS					
24	93039	0UNJTR	PORTE INOX	STAINLESS STEEL DOOR					
25	93049	0UNBZU	JOINT DE PORTE FG16	SEAL DOOR					
26	54229	0UNJBJ	BAC A LAIT 9L + COUVERCLE	9 LITERS MILK CONTAINER					
27	TG3612	0UN849	VERRIERE FG16	CUP RACK					
28	TG3610	0UN814	CHAUFFE TASSES FG16	CUP WARMER					
29	TG3620	0UN815	CALANDRE FG16	FRONT PANEL					
30	45039	0UN238	AFFICHEUR DE TEMPERATURE	T° DISPLAY					
31	46231	0UN755	STICKER AIR ADJUSTMENT	STICKER AIR ADJUSTMENT					
32	PG14	0UN277	ECROU M4	NUT M4					
33	PG15B	0UNA3S	RONDELLE INOX 4.2X10X0.8	WASHER					
34	TG3601	0UN668	HABILLAGE ARRIERE FG16	REAR CASING					
35	FR4056	0UN462	VIS SPECIAL COTE	SIDE SCREW					
36	50118	0UNA64	VIS TH M4X10 INOX	S.STEEL SCREW M4X10					



IMAGES NON CONTRACTUELLES  
NON-CONTRACTUAL PICTURES

09/24

**KITS TECHNICIEN XP**  
TECHNICIAN TOOLS KIT

692

## PLANCHE - PLATE 692

Pos.	Fact. code	Code	Description FR	Description GB	V	W&T	REF.	NOTES	S/N BREAK
1	NA1090	0UNJJC	KIT PESEE XP	WEIGHING KIT XP					
2	NA1104	0UNJJU	Kit Plateau SOLO XP	SOLO XP Tray Kit			e,f,i;n;o;p;q;r;s;t;u;v;w;e1; f1;g1		
3	FR1550	0UN225	KIT JOINT PLATEAU	PLATE GASKETS KIT					
4	FR1560	0UN001	KIT REFECTION GROUPE TANGO	TANGO GROUP REBUILT KIT			a;b;c;d;g;h;j;k;l;m;x;y;z;a1; b1;c1;d1		
5	FR1919	0UNA9P	KIT RENOVATION PISTON 24 FENT	PISTON REBUILT KIT			e,f,i;n;o;p;q;r;s;t;u;v;w;e1; f1;g1		
6	FR1948	0UN196	KIT RENOVATION PISTON 48 FENTE	PISTON REBUILT KIT					
7	26124	0UNBZO	GOUPILLON NETTOYAGE	CLEANING BRUSH					
8	0SPO27	0SPO27	U01 PASTILLES DE NETTOYAGE MACHINE AUTO	U01 CLEANING TABS F/ESPR. MACH					
9	0SPO29	0SPO29	U03 DETERGENT SYSTÈME LAIT 1LT	U03 MILK FROTHER CLEANER			b;d,f;h;i;m;o;q;t;w;z;c1;d1		
10	54212	0UN220	PICHET 2000 ML gradué, en polypropylène	JUG 2000 ML gradual, in polypropylene			b;d,f;h;i;m;o;q;t;w;z;c1;d1		
11	84235	0UN092	GRAISSE IKV-FLUOR	GREASE IKV-FLUOR MPA 0 H -BOX 100 g					
12	54260	0UNBFZ	VERRE DOSEUR GRADUE 100ML	100ML GRADUED GLASS					