

**TRADITIONAL COFFEE APPLIANCE
MACHINE A CAFÉ TRADITIONNELLE**



STELLA DI CAFFÈ

1XX HABILLAGE

- 110 HABILLAGE STELLA
- 112 ENSEMBLE BASSINE & PIEDS
- 120 CALANDRE STELLA

MACHINE CASING

- STELLA CASING
- FEET & OVERFLOW TRAY
- STELLA FRONT PANEL

2XX SORTIES EXTÉRIEURES

- 200 SORTIE VAPEUR ÉLECTROVANNE
- 201 SORTIE VAPEUR ROBINET
- 211 SORTIE VAPEUR INOX
- 212 SORTIE VAPEUR V+
- 215 SORTIE VAPEUR COLD TOUCH
- 217 SORTIE VAPEUR V+ COLD TOUCH
- 220 SORTIE VAPEUR TEFLON
- 221 SORTIE VAPEUR PTFE
- 230 SORTIE VAPEUR RÉGLABLE
- 232 SORTIE VAPEUR RÉGLABLE V+
- 238 SORTIE STEAMAIR
- 239 SORTIE STEAMAIR V+
- 244 SORTIE CAPPUCCINO PAR ASPIRATION
- 246 SORTIE CAPPUCCINO PAR ASPIRATION
- 248 SORTIE CAPPUCCINO A BARRILLET
- 250 SORTIE EAU CHAUDE ÉLECTROVANNE
- 251 TUBE, MITIGEUR & EV SORTIE EAU CHAUDE
- 261 SORTIE EAU CHAUDE
- 271 SORTIE EAU CHAUDE DÉBIT RÉGLABLE

EXTERNAL OUPUT

- STEAM OULTET ELECTROVALVE
- STEAM OUTLET TAP
- STEAM OUTLET STAINLESS STEEL
- STEAM OUTLET V+ STAINLESS STEEL
- COLD TOUCH STEAM OUTLET
- COLD TOUCH STEAM V+ OUTLET
- TEFLON STEAM OUTLET
- PTFE STEAM OUTLET
- ADJUSTABLE STEAM OUTLET
- ADJUSTABLE V+ STEAM OUTLET
- STEAMAIR OUTLET
- STEAMAIR V+ OUTLET
- CAPPUCCINO BY ASPIRATION OUTLET
- CAPPUCCINO OUTLET
- CAPPUCCINO OUTLET
- ELECTROVALVE HOT WATER OUTLET
- PIPE, MIXER & EV HOT WATER OUTLET
- HOT WATER OUTLET
- ADJUTABLE HOT WATER OUTLET

3XX HYDRAULIQUE

- 302 CIRCUIT HYDRAULIQUE 2GR
- 303 CIRCUIT HYDRAULIQUE 3GR
- 304 CIRCUIT HYDRAULIQUE 4GR
- 320 MOTEUR POMPE 100L-200L
- 330 NOURRICE D'ALIMENTATION STELLA
- 331 DOSEURS D'ALIMENTATION
- 340 CHAUDIÈRE VAPEUR STELLA
- 342 CHAUDIÈRE CAFÉ STELLA
- 346 GROUPE CAFÉ STELLA

HYDRAULIC CIRCUIT

- HYDRAULIC CIRCUIT 2GR
- HYDRAULIC CIRCUIT 3GR
- HYDRAULIC CIRCUIT 4GR
- 100L-200L MOTORS PUMPS
- WATER FEEDING UNIT
- WATER DOSING UNIT
- STELLA STEAM BOILER
- COFFEE BOILER
- COFFEE GROUP

4XX **CIRCUIT CAFÉ**
494 PORTE FILTRE AVEC CAPTEUR
497 PORTE FILTRE AVEC RFID
498 PORTE FILTRE POIGNEE LONGUE

COFFEE SYSTEM
FILTER HOLDER WITH SENSOR
FILTER HOLDER WITH RFID
FILTER HOLDER LONG HANDLE

5XX **ÉLECTRONIQUE**
500 COMPOSANTS ÉLECTRIQUES
510 TABLEAU DE RACCORDEMENT ÉLECTRIQUE
520 CONNECTEURS & FUSIBLES CARTE MÈRE
530 CÂBLES & CONNECTEURS CALANDRE

ELECTRONIC SYSTEM
ELECTRICAL COMPONENTS
ELECTRIC CONNECTION PANEL
MOTHERBOARD CONNECTORS & FUSES
CONNECTORS & WIRES FRONT PANEL

6XX **OPTION/KIT**
610 ADAPTATEUR DHA
620 VERSION V+
630 KIT DOUBLE COMMANDE
631 LEVIER DE COMMANDE
640 BANDEAU ARRIÈRE

OPTION/KIT
DHA ADAPTOR
V+ VERSION
DUAL COMMAND KIT
COMMAND LEVER
REAR STRIP

PLANCHE - PLATE 110

REF	ELUX	DESIGNATIONS FR	DESIGNATIONS GB
28904	0UN329	RESSORT ELASTOMERE	RUBBER SPRING
50118	0UNA64	VIS TH M4X10 INOX	S.STEEL SCREW M4X10
50215	0UN441	VIS EPAULEE COTE	SIDE SCREW
51100	0UNA5V	ECROU M5 INOX	NUT M5
51552	0UN616	RONDELLE INOX 4.25x14x0.8	S..STEEL WASHER 4.25x14x0.8
51552	0UN616	RONDELLE INOX 4.25x14x0.8	S..STEEL WASHER 4.25x14x0.8
51552	0UN616	RONDELLE INOX 4.25x14x0.8	S..STEEL WASHER 4.25x14x0.8
60002	0UN445	DOUILLE RESSORT ELASTOMERE	RUBBER SPRING SOCKET
CN-2660		JOINT TORIQUE 1.78X6.75 EPDM	O-RING 1,78X6,75 EPDM
CN-661	0UN184	ECROU CAGE M4, EP 1/1.6	INSERT NUT M4
CN-694	0UN186	VIS POELIER M 4 X 12 INOX	SCREW M4 X 12
DV-164		JOINT POUR JUPETTE NSF	GASKET COVER
DV-165		JOINT POUR JUPETTE NSF CAPTEUR	GASKET COVER SENSOR
ID-129	0UNA5Z	VIS INOX POELIER VM 4 X 8	SCREW 4 X 8
NM-096		VIS TBHC M4X12 INOX	S.STEEL SCREW M4X12
NZ-1400		COTE GAUCHE STELLA MONTE	COMPLET LEFT SIDE STELLA
NZ-1401		COTE DROIT STELLA MONTE	COMPLET RIGHT SIDE STELLA
NZ-3007		VERRIERE GAUCHE	LEFT CUP RACK
NZ-3008		VERRIERE DROITE	RIGHT CUP RACK
NZ-3009		VERRIERE MODULE	MIDDLE CUP RACK
NZ-3015		COTE GAUCHE CHAUFFE TASSES	LEFT SIDE CUP WARMER
NZ-3016		COTE DROIT CHAUFFE TASSES	RIGHT SIDE CUP WARMER
NZ-3020		CHAUFFE TASSES 2GR	CUP WARMER 2 UNITS
NZ-3021		CHEMISE 2GR	REAR CASING 2 UNITS
NZ-3024		DEVANT 2GR	FRONT CASING 2 UNITS
NZ-3026		ARRIERE CHAUFFE TASSES 2GR	CUP WARMER BACK 2 UNITS
NZ-3030		CHAUFFE TASSES 3GR	CUP WARMER 3 UNITS
NZ-3031		CHEMISE 3GR	REAR CASING 3 UNITS
NZ-3034		DEVANT 3GR	FRONT CASING 3 UNITS
NZ-3036		ARRIERE CHAUFFE TASSES 3GR	CUP WARMER BACK 3 UNITS
NZ-3040		CHAUFFE TASSES 4GR	CUP WARMER 4 UNITS
NZ-3041		CHEMISE 4GR	REAR CASING 4 UNITS
NZ-3044		DEVANT 4GR	FRONT CASING 4 UNITS
NZ-3046		ARRIERE CHAUFFE TASSES 4GR	CUP WARMER BACK 4 UNITS
NZ-3062		CHEMISE 2 GR (sans trous)	REAR CASING 2 UNITS (without hole)
NZ-3063		CHEMISE 3 GR (sans trous)	REAR CASING 3 UNITS (without hole)
NZ-3064		CHEMISE 4 GR (sans trous)	REAR CASING 4 UNITS (without hole)
NZ-7005		COTE GAUCHE	LEFT SIDE
NZ-7006		COTE DROIT	RIGHT SIDE
NZ-7007		CACHE ELECTROVANNE	ELECTROVALVE COVER
NZ-7007R		CACHE ELECTROVANNE VERSION ROBINET	ELECTROVALVE COVER TAP VERSION
NZ-7008		CACHE ROBINET	TAP COVER
NZ-7025		LOGO STELLA	STELLA SIGN
NZ-7030		CACHE GROUPE	UNIT COVER
NZ-8053		CABLE POUR LED GROUPE- EV	UNIT-EV CABLE FOR LED
NZ-8054	0UN070	CABLE LED GROUPE	LED UNIT CABLE
PE-59	0UN201	VIS TCHC M4x10 INOX	SCREW 4 X 10

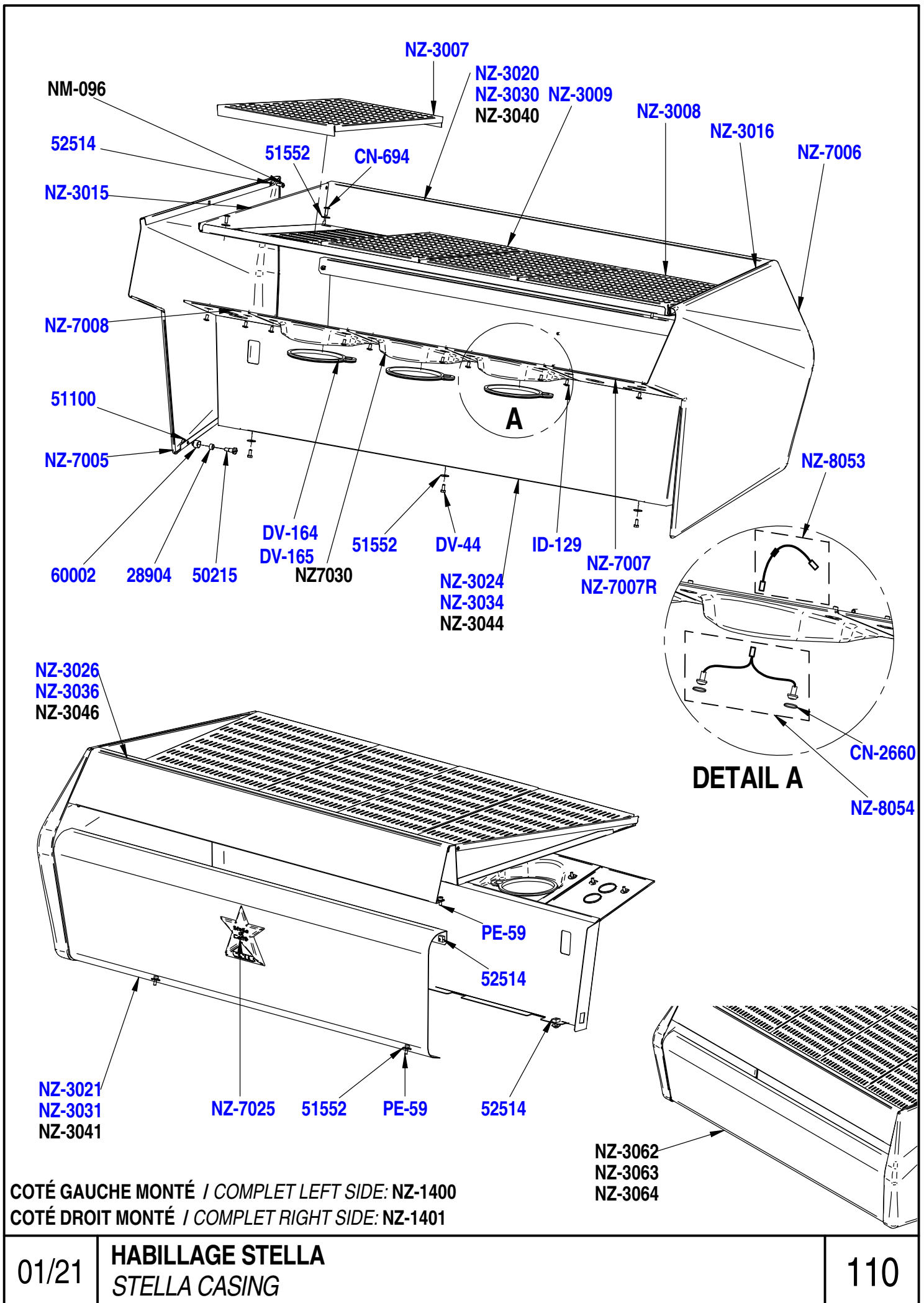


PLANCHE - PLATE 112

REF	ELUX	DESIGNATIONS FR	DESIGNATIONS GB
27845	0UN144	JOINT TORIQUE 2.62 X 17.13	O-RING 2.62 X 17.13
50300		VIS TF M6X35 INOX	SCREW M6X25 STAINLESS STEEL
50408		VIS TF M8X20	SCREW M8X20
51655	0UNA5W	RONDELLE GROWER DE 6	WASHER 6
CN-325	0UN284	VIS INOX TC 4 x 6	SCREW M4 X 6
DO-195	0UNA1L	VIS ACIER INOX TC 4 X 12	SCREW M4 X 12
NZ-1031		BASSINE 2GR COMPLETE	2 UNITS OWERFLOW TRAY KIT
NZ-1032		BASSINE 2GR V+ COMPLETE	2 UNITS V+ OWERFLOW TRAY KIT
NZ-1033		BASSINE 3GR COMPLETE	3 UNITS OWERFLOW TRAY KIT
NZ-1034		BASSINE 3GR V+ COMPLETE	3 UNITS V+ OWERFLOW TRAY KIT
NZ-1035		BASSINE 4GR COMPLETE	4 UNITS OWERFLOW TRAY KIT
NZ-1036		BASSINE 4GR V+ COMPLETE	4 UNITS V+ OWERFLOW TRAY KIT
NZ-2017		SUPPORT VIDANGE	DRAIN SUPPORT
NZ-2026		GRILLE DE BASSINE 2GR	2 UNITS OVERFLOW TRAY GRID
NZ-2028		GRILLE DE BASSINE 1GR	1 UNIT OVERFLOW TRAY GRID
NZ-2032		SUPPORT GRILLES DE BASSINE 2GR	GRID SUPPORT 2 UNITS
NZ-2033		SUPPORT GRILLES DE BASSINE 3GR	GRID SUPPORT 3 UNITS
NZ-2034		SUPPORT GRILLES DE BASSINE 4GR	GRID SUPPORT 4 UNITS
NZ-2036		GRILLE DE BASSINE 3GR	3 UNITS OVERFLOW TRAY GRID
NZ-2046		GRILLE DE BASSINE 4GR	4 UNITS OVERFLOW TRAY GRID
NZ-2054		GRILLE DE BASSINE GAUCHE	LEFT OVERFLOW TRAY GRID
NZ-2055		GRILLE DE BASSINE DROITE	RIGHT OVERFLOW TRAY GRID
NZ-2061		GRILLE BASSINE HAUTE 1GR	HIGH GRID 1 UNIT
NZ-2062		GRILLE BASSINE HAUTE 2GR	HIGH GRID 2 UNITS
NZ-2063		GRILLE BASSINE HAUTE 3GR	HIGH GRID 3 UNITS
NZ-2064		GRILLE BASSINE HAUTE 4GR	HIGH GRID 4 UNITS
NZ-3023		BASSINE 2GR	2 UNITS OVERFLOW TRAY
NZ-3033		BASSINE 3GR	3 UNITS OVERFLOW TRAY
NZ-3043		BASSINE 4GR	4 UNITS OVERFLOW TRAY
NZ-4002		ECROU MOLETE M6	NUT M6
NZ-4005		TUBE VIDANGE	DRAIN PIPE
NZ-4020		COLONETTE PIED HAUT	SPACER
NZ-4024		EMBASE PIED ARRIERE	REAR FOOT BASE
NZ-4025		EMBASE PIED AVANT	FRONT FOOT BASE
NZ-7000		JOUE DE BASSINE GAUCHE	LEFT ORNAMENTAL OVERFLOW
NZ-7002		JOUE DE BASSINE DROITE	RIGHT ORNAMENTAL OVERFLOW
NZ-7020		PIED ARRIERE	REAR FOOT
NZ-7023		PATIN PIED AVANT	FRONT RUBBER FOOT
NZ-7024	0UN315	PATIN PIED ARRIERE	REAR RUBBER FOOT
PG-15B	0UNA3S	RONDELLE INOX 4.2X10X0.8	WASHER
SH-28		VIS TH M6 X 16	SCREW M6 X 16

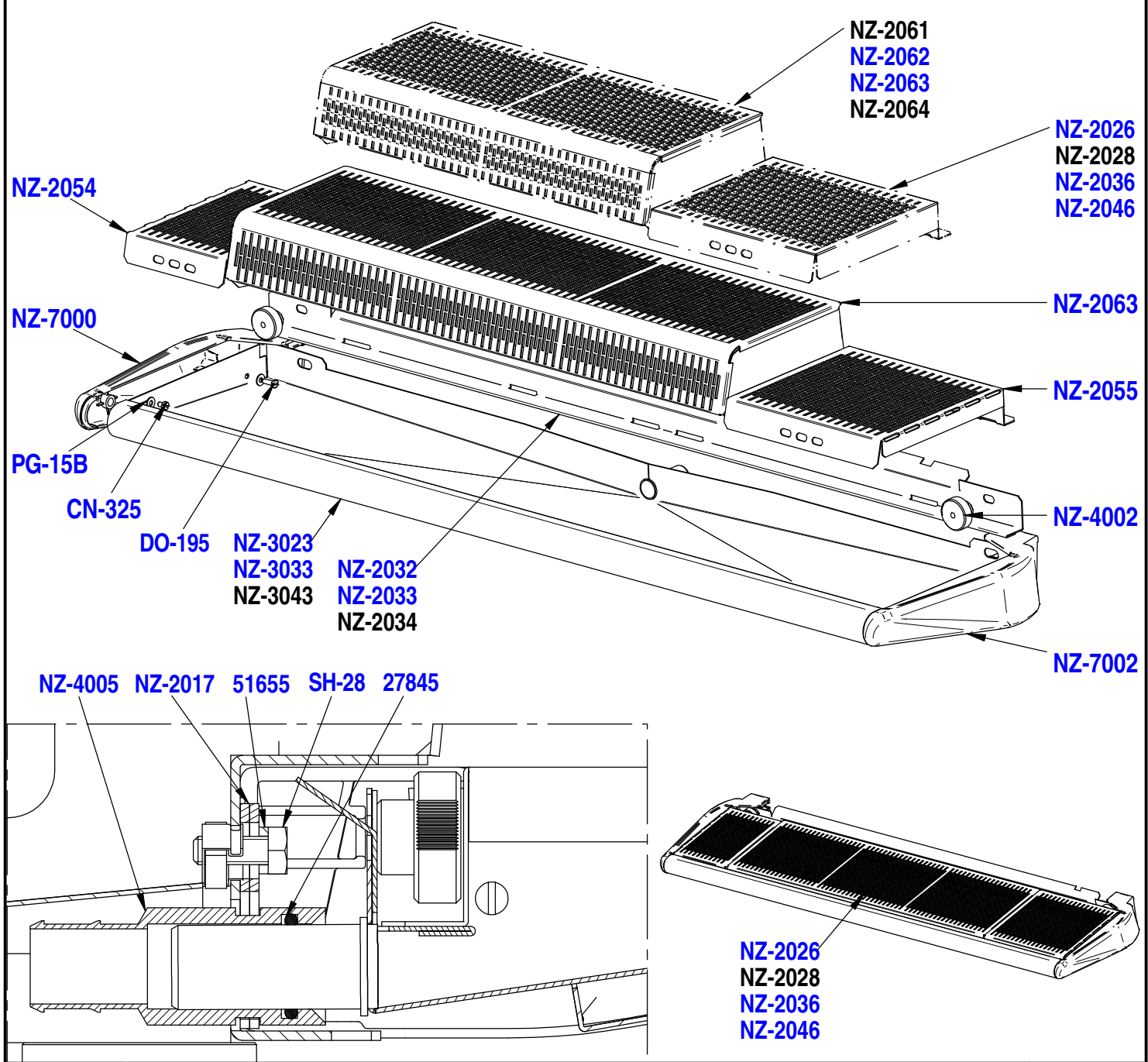
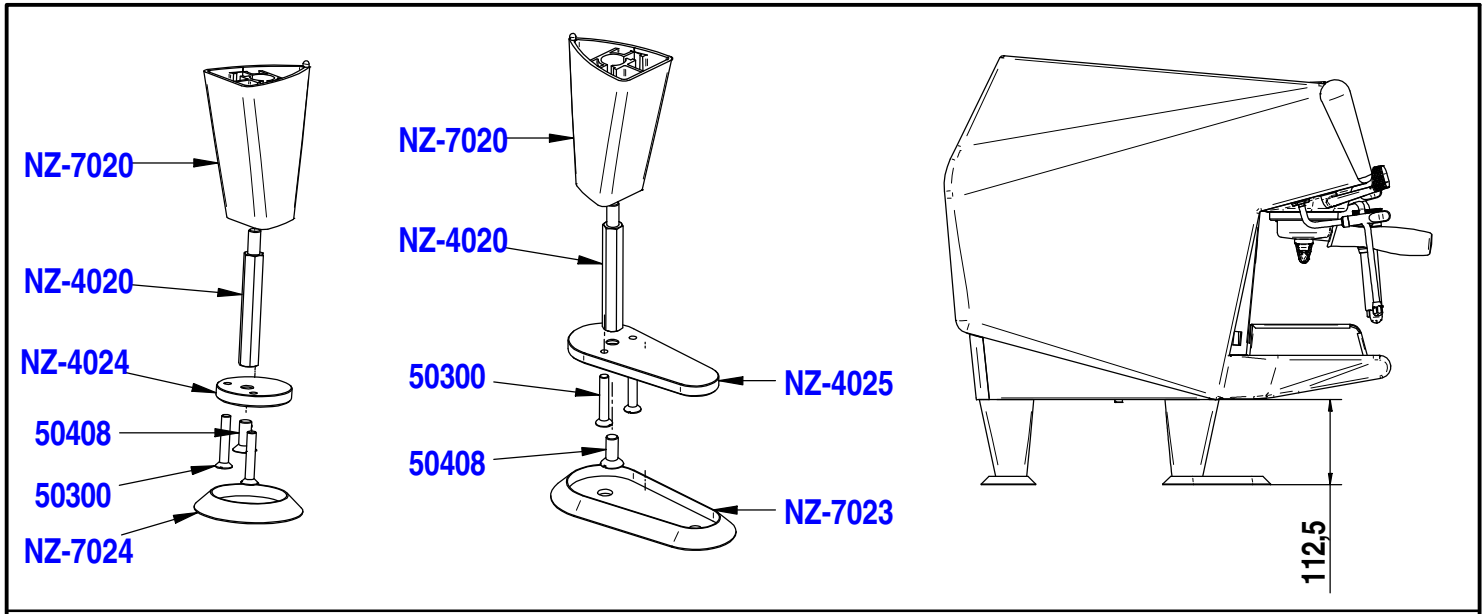


PLANCHE - PLATE 120

REF	ELUX	DESIGNATIONS FR	DESIGNATIONS GB
41305	0UN751	FASTON MALE A VISSER	MALE FASTON PIN
45100		BOITIER DOSAMAT (BGX)	DOSAMAT ELECTRONIC BOX (BGX)
45101		BOITIER 0/1 (BGX)	0/1 ELECTRONIC BOX (BGX)
45102		BOITIER 2T (BGX)	2 CUPS ELECTRONIC BOX (BGX)
45103		BOITIER 3T (BGX)	3 CUPS ELECTRONIC BOX (BGX)
45104		BOITIER STEAMAIR (BST)	STEAMAIR ELECTRONIC BOX (BST)
45105		BOITIER EAU CHAUDE (BST)	HOT WATER ELECTRONIC BOX (BST)
45106		BOITIER ECRAN CONTRÔLE (BTA)	SCREEN CONTROL ELECTRONIC BOX (BTA)
45365		REGLETTE LED BOITIER BGX	LED STRIP FOR BGX BOX
45366		REGLETTE LED BOITIER BTA	LED STRIP FOR BTA BOX
46172		BANDEAU STELLA 2GR	2 UNITS STELLA STRIP
46173		BANDEAU STELLA 3GR	3 UNITS STELLA STRIP
46174		BANDEAU STELLA 4GR	4 UNITS STELLA STRIP
50176	0UN682	VIS TH M4 X 12 INOX	S.STEEL SCREW M4X12
50304		VIS TC M6X25 INOX	S.STEEL SCREW M6X25
50708	0UN961	VIS AUTOFORMEUSE 3X14	SCREW 3X14
51100	0UNA5V	ECROU M5 INOX	NUT M5
51600		RONDELLE INOX MOYENNE DE 5	WASHER
51818	0UN288	ENTRETOISE	SPACER
52514	0UN037	ECROU RAPIDE M4 EP:2	NUT M4
52516	0UN121	ECROU RAPIDE M6 EP:2	NUT M6
CH-2		JOINT PLAT PTFE	PTFE GASKET
CN-343	0UNA3M	RONDELLE EVENTAIL 4	WASHER 4
CN-344	0UNA44	RONDELLE EVENTAIL DE 5	LOCK WASHER 5
CN-661	0UN184	ECROU CAGE M4, EP 1/1.6	INSERT NUT M4
DO-195	0UNA1L	VIS ACIER INOX TC 4 X 12	SCREW M4 X 12
ID-129	0UNA5Z	VIS INOX POELIER VM 4 X 8	SCREW 4 X 8
NZ-3017		ACCROCHE CALANDRE GAUCHE	LEFT FRONT PANEL HOOK
NZ-3018		ACCROCHE CALANDRE DROITE	RIGHT FRONT PANEL HOOK
NZ-3028		SUPPORT CALANDRE 2GR	2 UNITS FRONT PANEL
NZ-3029		DESSUS DE CALANDRE 2GR	2 UNITS FRONT PANEL TOP
NZ-3038		SUPPORT CALANDRE 3GR	3 UNITS FRONT PANEL
NZ-3039		DESSUS DE CALANDRE 3GR	3 UNITS FRONT PANEL TOP
NZ-3048		SUPPORT CALANDRE 4GR	4 UNITS FRONT PANEL
NZ-3049		DESSUS DE CALANDRE 4GR	4 UNITS FRONT PANEL TOP
NZ-3051		DEFLECTEUR CALANDRE 2GR	2 UNITS DEFLECTOR
NZ-3052		DEFLECTEUR CALANDRE 3GR	3 UNITS DEFLECTOR
NZ-3053		DEFLECTEUR CALANDRE 4GR	4 UNITS DEFLECTOR
NZ-7010		ENJOLIVEUR GAUCHE	LEFT ORNAMENTAL
NZ-7012		ENJOLIVEUR DROIT	RIGHT ORNAMENTAL
NZ-8048		CABLE MASSE CALANDRE	FRONT PANEL GROUND CABLE
PE-66	0UN452	VIS TC M5 X 16 INOX	SCREW M5 X 16
PH-32	0UN278	RONDELLE ACIER Zn 6,25x14x1,2	WASHER

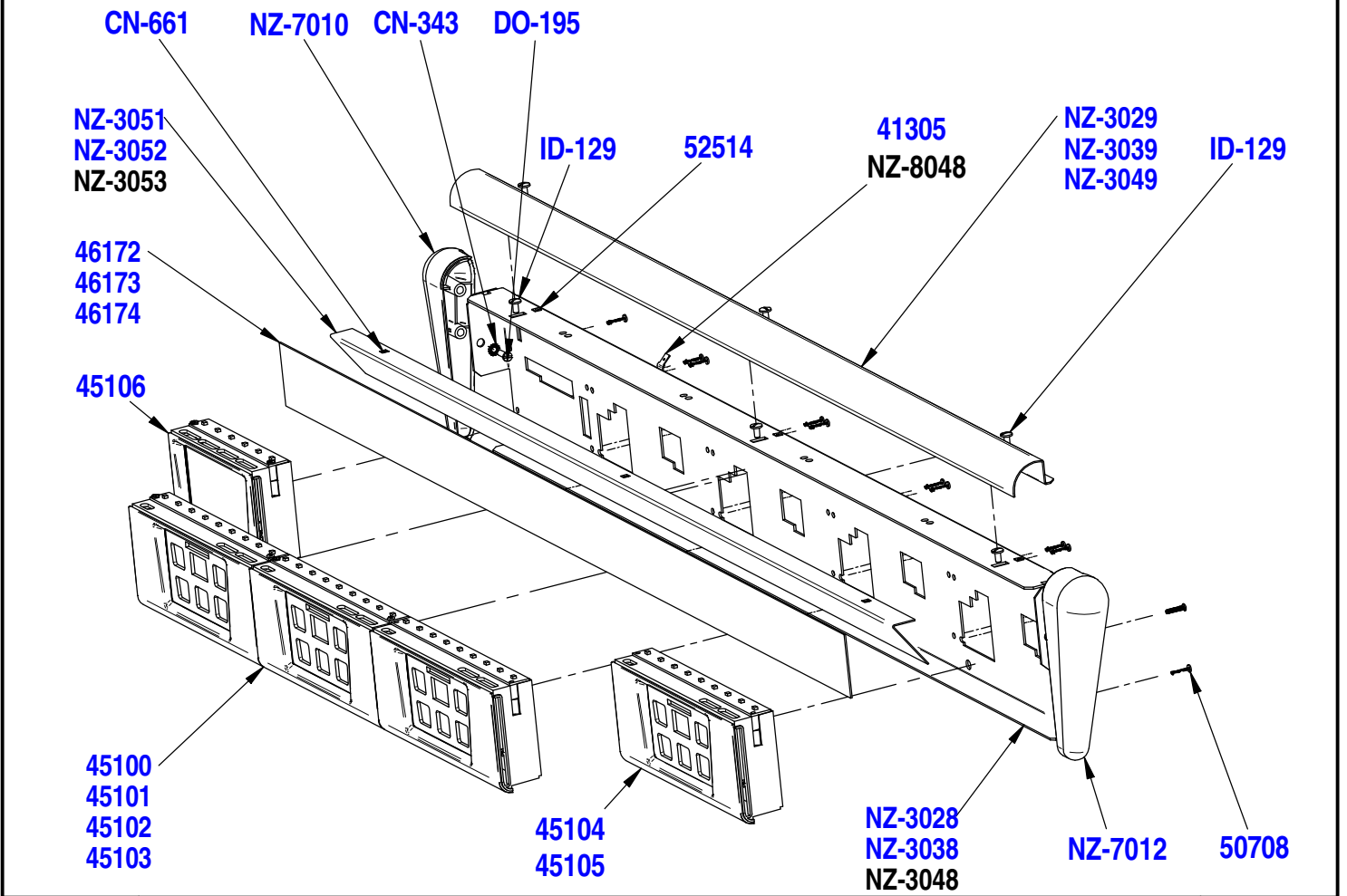
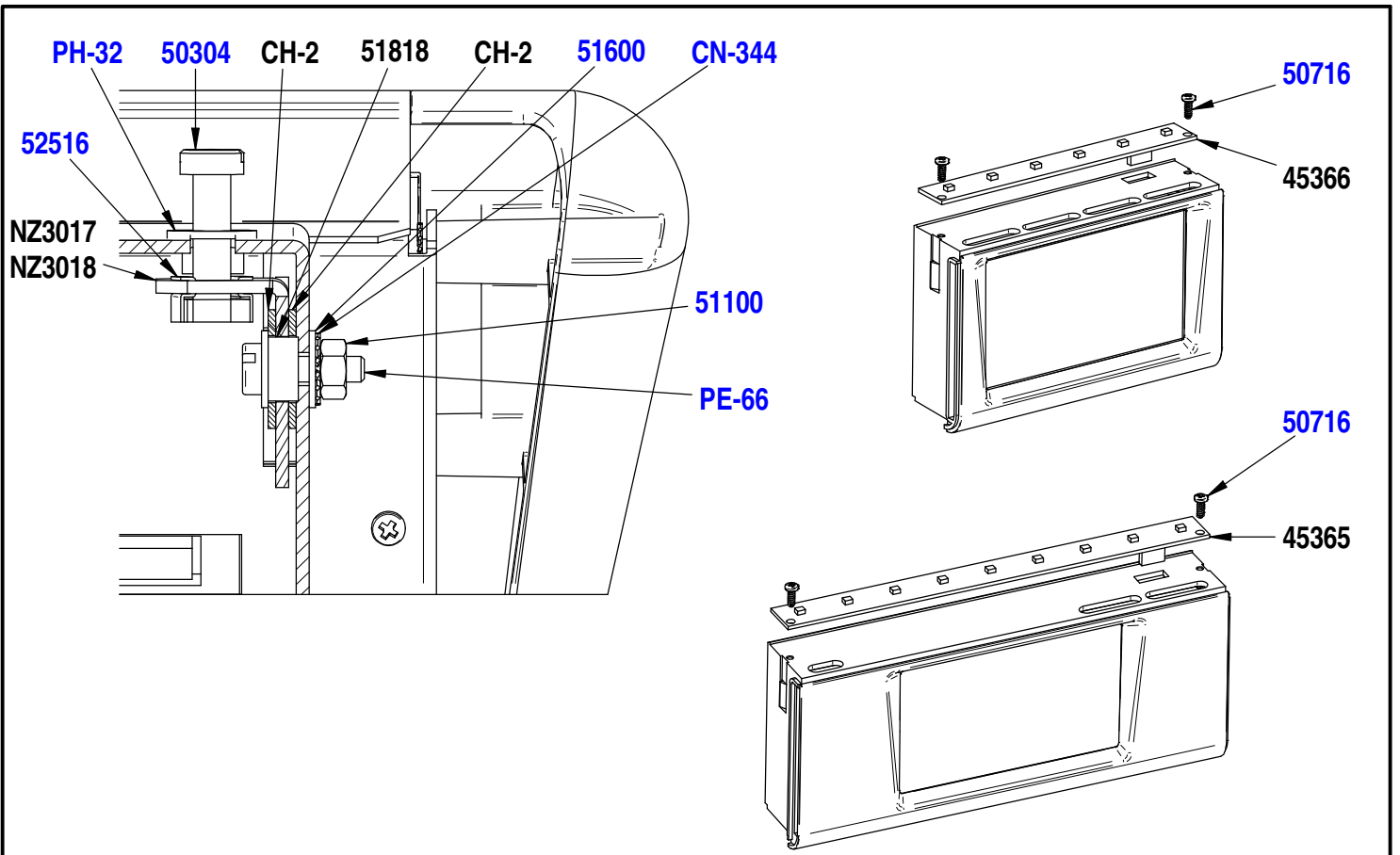


PLANCHE - PLATE 200

REF	ELUX	DESIGNATIONS FR	DESIGNATIONS GB
CH-16	0UN177	JOINT CUIVRE RECUIT 3/8	WASHER - COPPER - 3/8
12747	0UN405	TUBE SILICONE SOUPLE 4 - 7	FLEXIBLE SILICONE PIPE 4 - 7
20952	0UN934	RACCORD 1/4 MALE	FITTING 1/4 M
25915	0UN531	CACHE SORTIE EAU VAPEUR	COVER OUTLET STEAM WATER
26175	0UN483	EMBOUT M6	M6 NOZZLE
27224	0UN156	KIT VALVE DE PURGE	VACCUM VALVE KIT
27225	0UN556	TIGE VALVE SPHERIQUE	SPHERICAL ROD
27226	0UN491	ECROU VALVE DE PURGE	VACCUM VALVE NUT
27227	0UN432	CABOCHON VALVE DE PURGE	STOPPER PURGE VALVE
28134	0UN019	JOINT TORIQUE 2X9,5 NEXUS	O RING 2X9,5
28352	0UN017	JOINT PLAT 20X12X2 EPDM 70SH	GASKET 20X12X2
35140	0UN342	ELECTROVANNE 3/2 24V-50/60Hz	ELECTROVALVE 3/2 24V-50/60
AG-14	0UN176	JOINT CUIVRE M12	COPPER GASKET
CN-198	0UN178	JOINT TORIQUE 1,78X6,07 FKM	GASKET - 6.07 x 1.78
CN-2850	0UN180	JOINT TORIQUE 1,78X10,82	GASKET 10.82x1.78
CN-618	0UN181	JOINT CUIVRE 1/4	GASKET - 1/4
DV-170	0UN645	ECROU CHROME	NUT 3/8
DV-171	0UN498	RACCORD 3/8-1/4	FITTING 3/8
NZ-6004		TUBE EV VAPEUR DROIT	RIGHT STEAM EV PIPE
NZ-6021		TUBE RILSAN EV 3V STELLA	DRAIN TUBE EV 3W STELLA
NZ-6022		TUBE RILSAN EV 3V STELLA V+	DRAIN TUBE EV 3W STELLA V+
PA-43	0UN199	RESSORT F15/10 L14,5 D10,5 P3	SPRING
PH-54	0UN133	JOINT TORIQUE 2,62X13,95 EPDM	O RING - 13.95 x 2.62
PH-78	0UN202	JOINT TORIQUE 2,62X9,13 EPDM	O RING - 9,13 X 2,62
RR-67	0UN210	EMBOUT LAITON	BRASS END

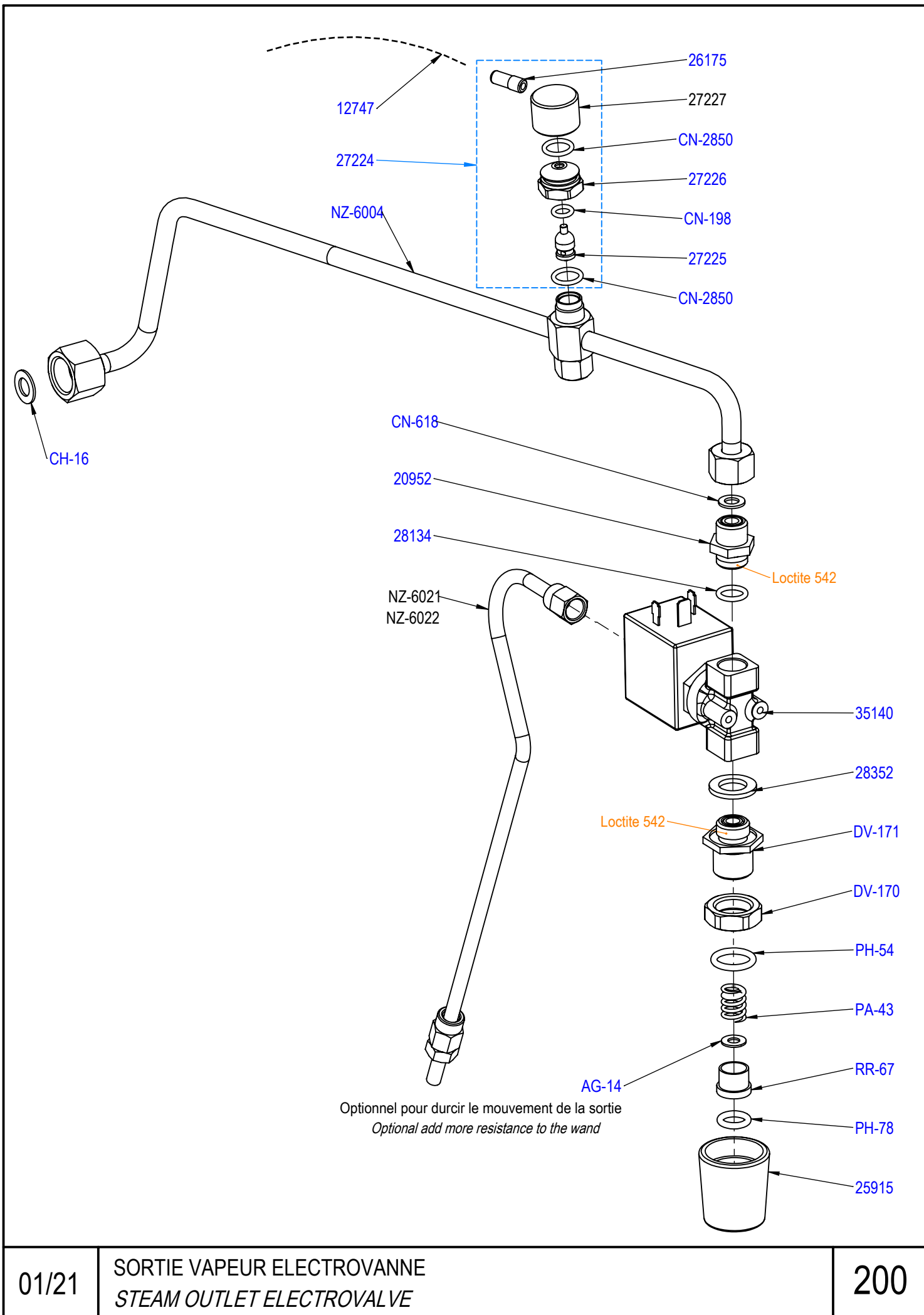


PLANCHE - PLATE 201

REF	ELUX	DESIGNATIONS FR	DESIGNATIONS GB
21100	0UN994	BOUCHON 1/8	PLUG 1/8
25915	0UN531	CACHE SORTIE EAU VAPEUR	COVER OUTLET STEAM WATER
25925		CARTOUCHE CERAMIQUE	CERAMIC CARTRIDGE
AG14	0UN176	JOINT CUIVRE M12	COPPER GASKET
CN-489E		VIS INOX CHC 4 x 16 A EMBASE	SCREW M4 X 16 WITH FLANGE
DV-170	0UN645	ECROU CHROME	NUT 3/8
NZ-1010		DOUBLE COMMANDE	DUAL COMMAND
NZ-1014		ROBINET VAPEUR COMPLET	STEAM TAP KIT
NZ-4004		ROBINET VAPEUR	STEAM TAP
NZ-4013		PALIER ROBINET VAPEUR	STEAM TAP COVER
NZ-4014		INSERT POIGNEE ROBINET	STEAM HANDLE INSERT STEAM
NZ-7003		POIGNEE VAPEUR	HANDLE
PA-43	0UN199	RESSORT F15/10 L14,5 D10,5 P3	SPRING
PH-54	0UN133	JOINT TORIQUE 2,62X13,95 EPDM	O RING - 13.95 x 2.62
PH-78	0UN202	JOINT TORIQUE 2,62X9,13 EPDM	O RING - 9.13 X 2,62
RR-67	0UN210	EMBOUIT LAITON	BRASS END

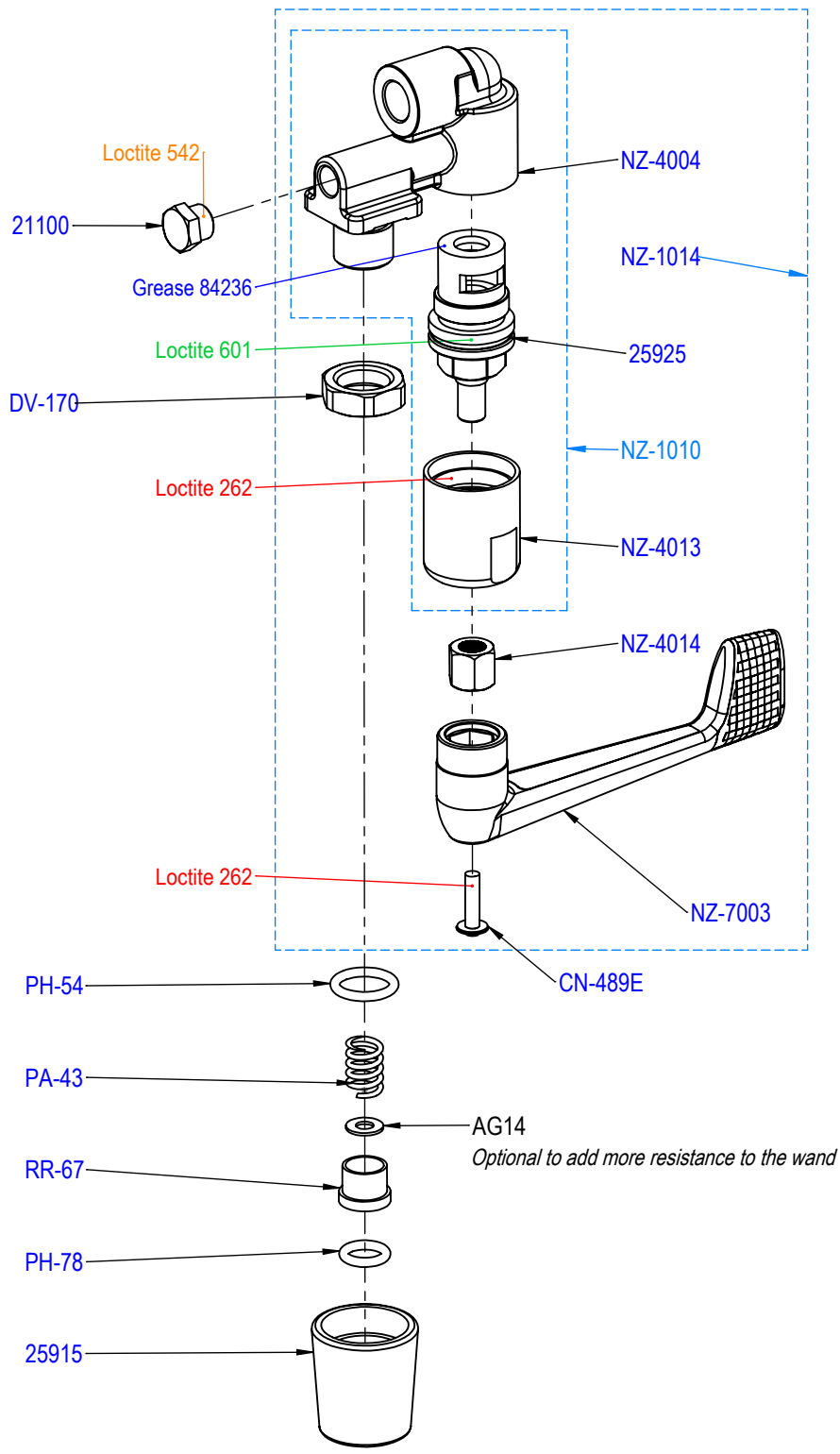


PLANCHE - PLATE 211

REF	ELUX	DESIGNATIONS FR	DESIGNATIONS GB
25902		SORTIE VAPEUR STELLA INOX	STELLA S.STEEL STEAM OUTLET
25910	0UN523	POIGNEE SORTIE EAU CHAUDE ET VAPEUR	HOT WATER AND STEAM OUTLET HANDLE
25911	0UN543	BAGUE POUR POIGNEE EAU ET VAPEUR	WATER AND STEAM HANDLE COLLAR
25934		BRISE JET VAPEUR M6.75x0.75	BREEZE JET STEAM M6.75x0.75

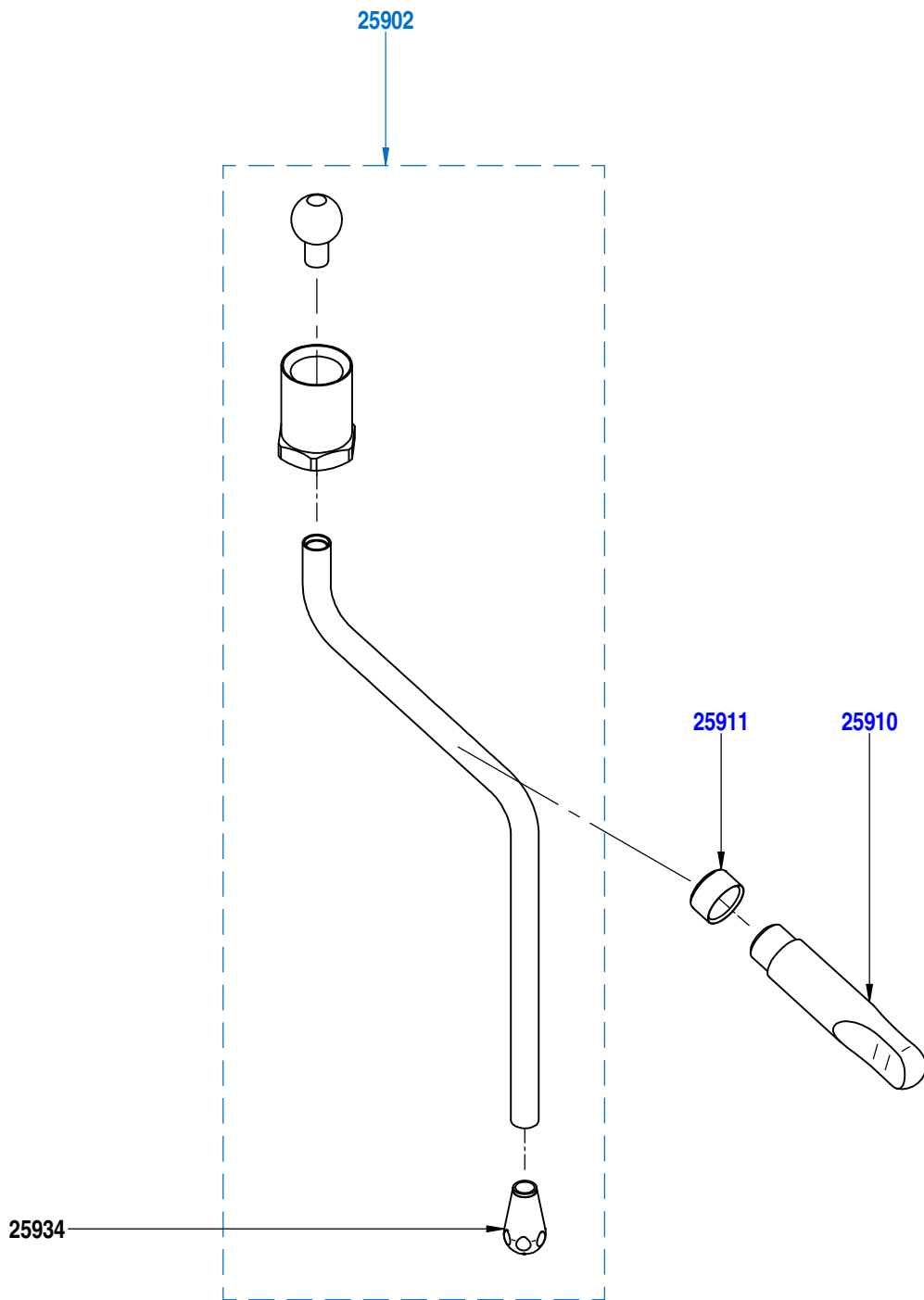


PLANCHE - PLATE 212

REF	ELUX	DESIGNATIONS FR	DESIGNATIONS GB
25903	0UN424	SORTIE VAPEUR INOX V+	V+ STAINLESS STEEL STEAM OUTLET
25910	0UN523	POIGNEE SORTIE EAU CHAUDE ET VAPEUR	HOT WATER AND STEAM OUTLET HANDLE
25911	0UN543	BAGUE POUR POIGNEE EAU ET VAPEUR	WATER AND STEAM HANDLE COLLAR
25934		BRISE JET VAPEUR M6.75x0.75	BREEZE JET STEAM M6.75x0.75

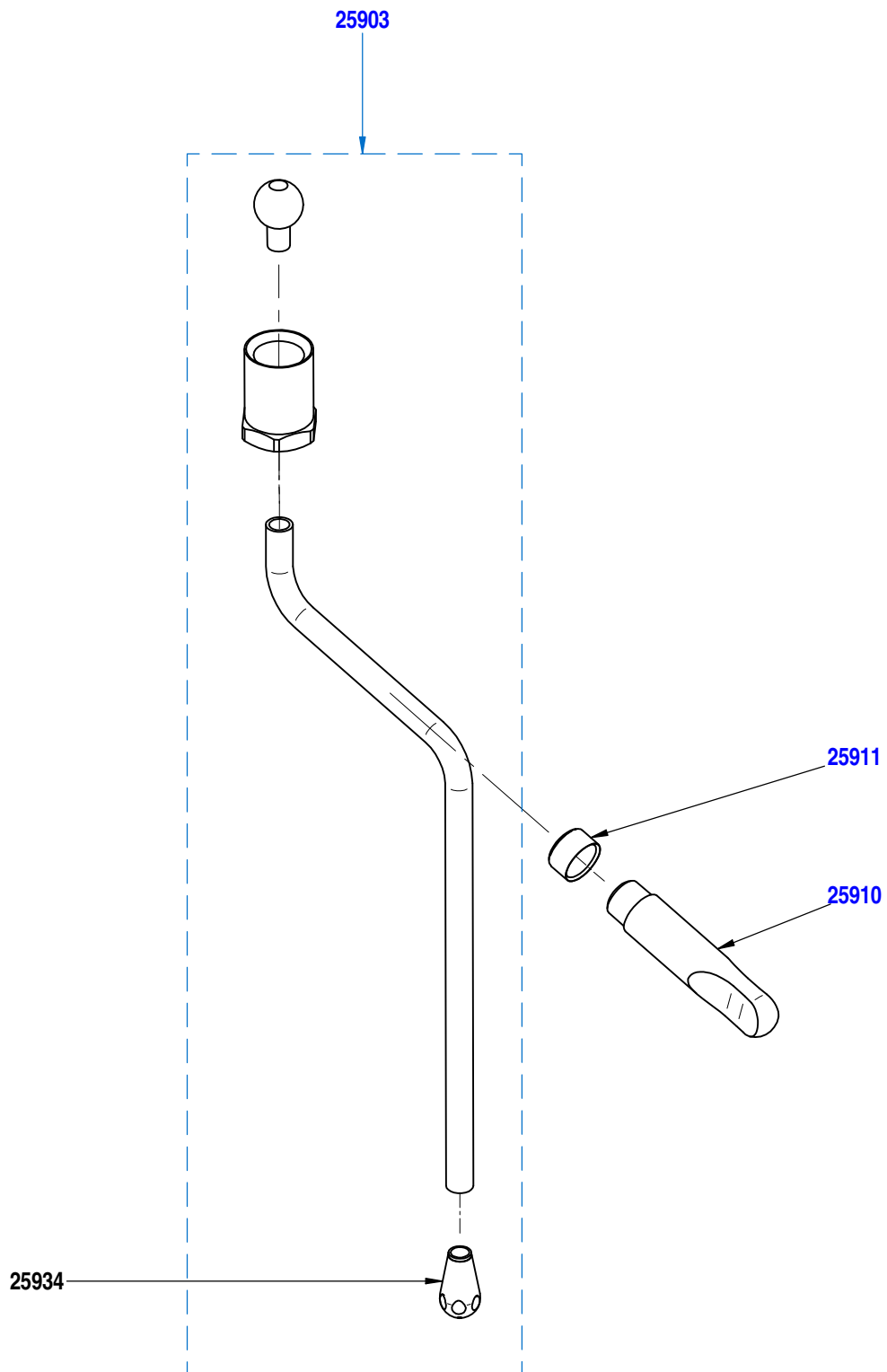


PLANCHE - PLATE 215

REF	ELUX	DESIGNATIONS FR	DESIGNATIONS GB
25933		ECROU POUR TUBE	<i>NUT FOR PIPE</i>
25941		EMBOUT INOX 4 TROUS	<i>4 HOLES END PIPE</i>
25942		SORTIE VAPEUR COMPLETE INOX COLD TOUCH	<i>COLD TOUCH STEAM OUTLET STAINLESS</i>
25947		SORTIE VAPEUR COMPLETE NOIRE COLD TOUCH	<i>COLD TOUCH STEAM OUTLET BLACK</i>

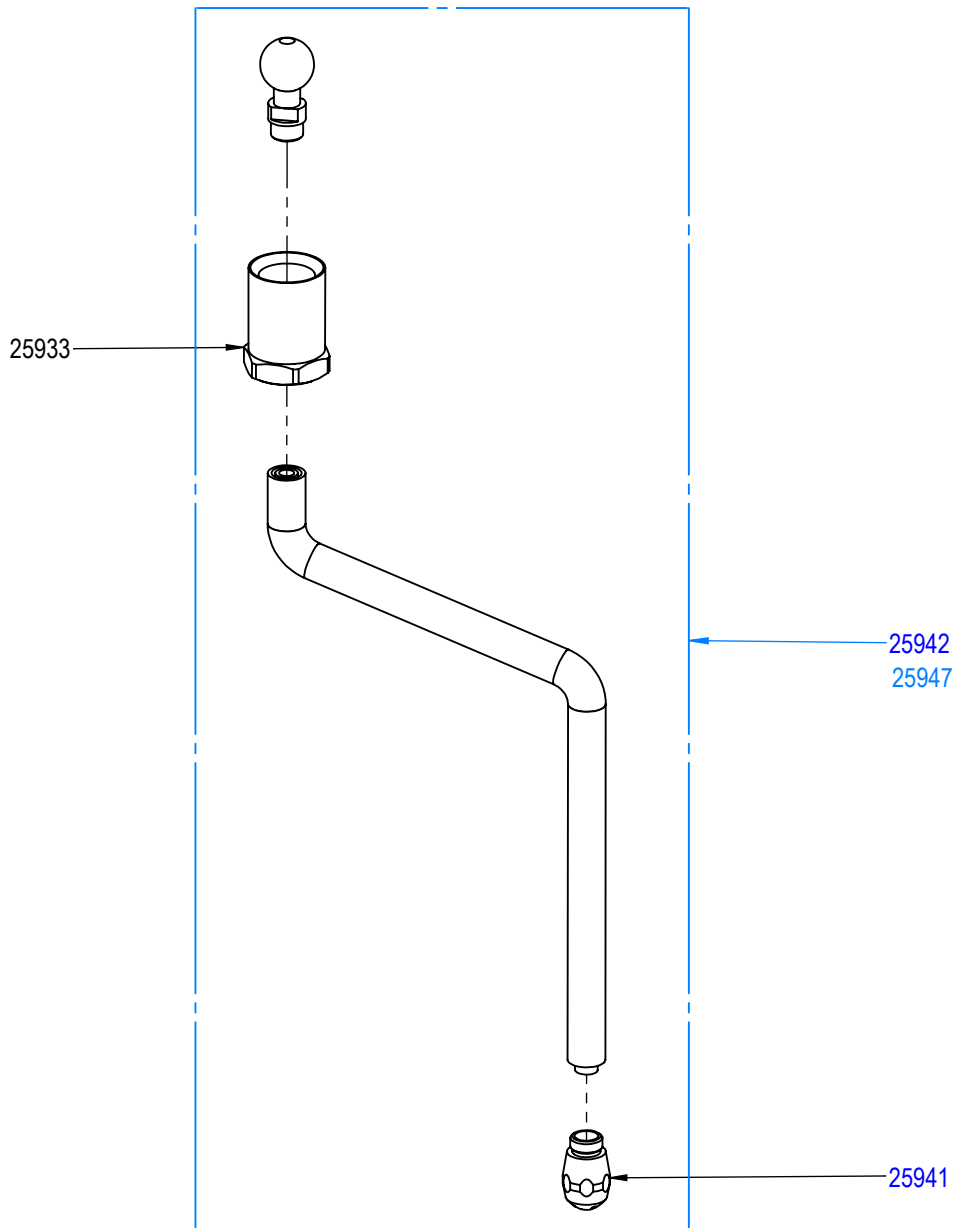
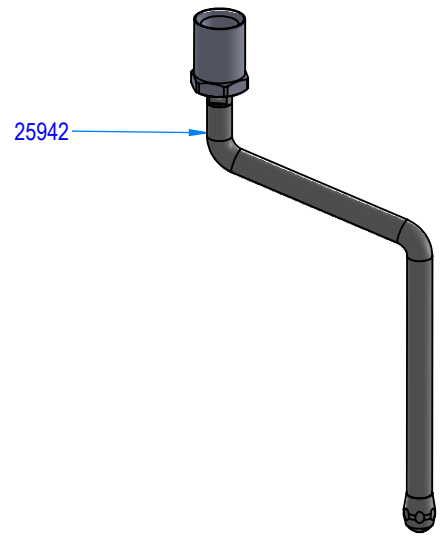


PLANCHE - PLATE 217

REF	ELUX	DESIGNATIONS FR	DESIGNATIONS GB
25933		ECROU POUR TUBE	<i>NUT FOR PIPE</i>
25941		EMBOUT INOX 4 TROUS	<i>4 HOLES END PIPE</i>
25943		SORTIE VAPEUR V+ COMPLETE INOX COLD TOUCH	<i>COLD TOUCH STEAM V+ OUTLET STAINLESS</i>

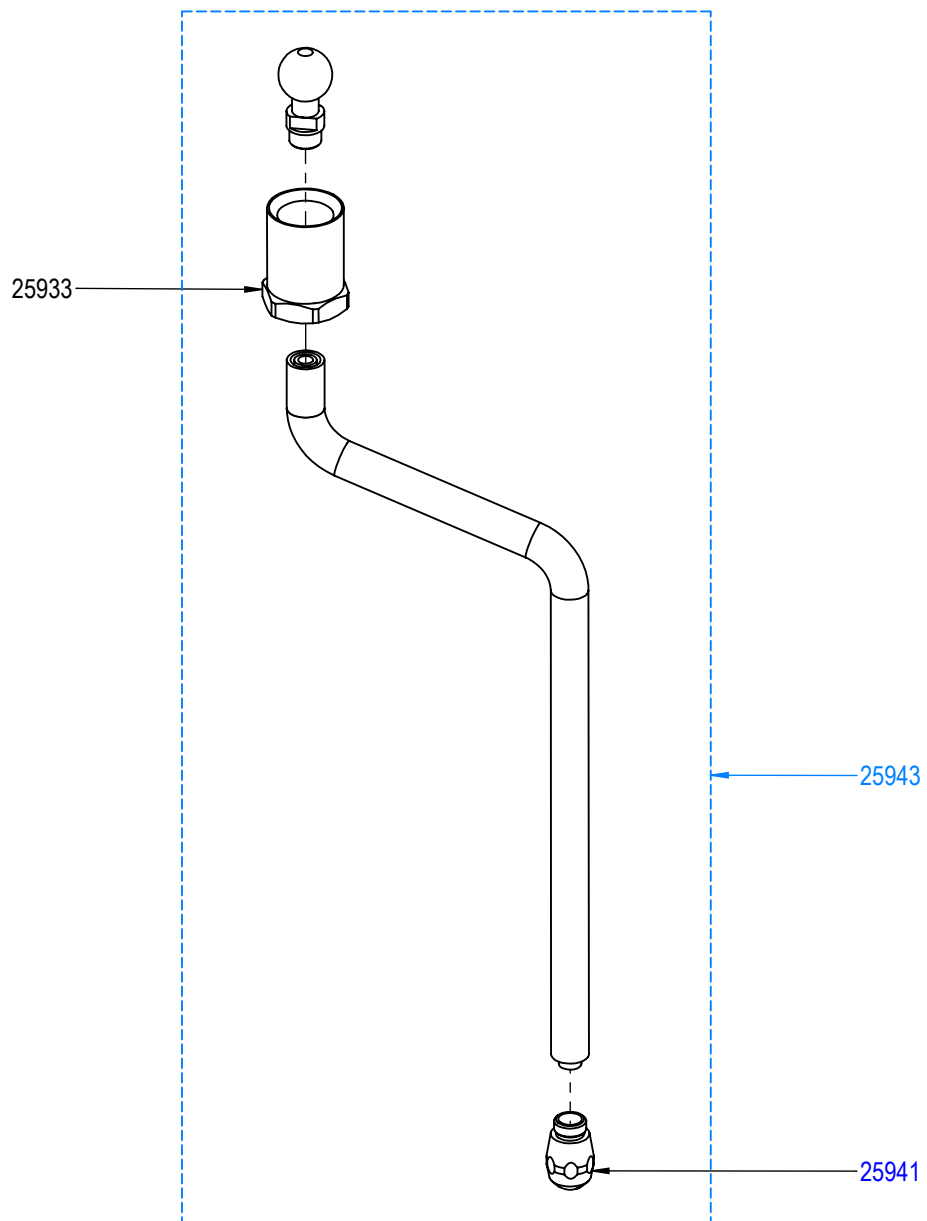
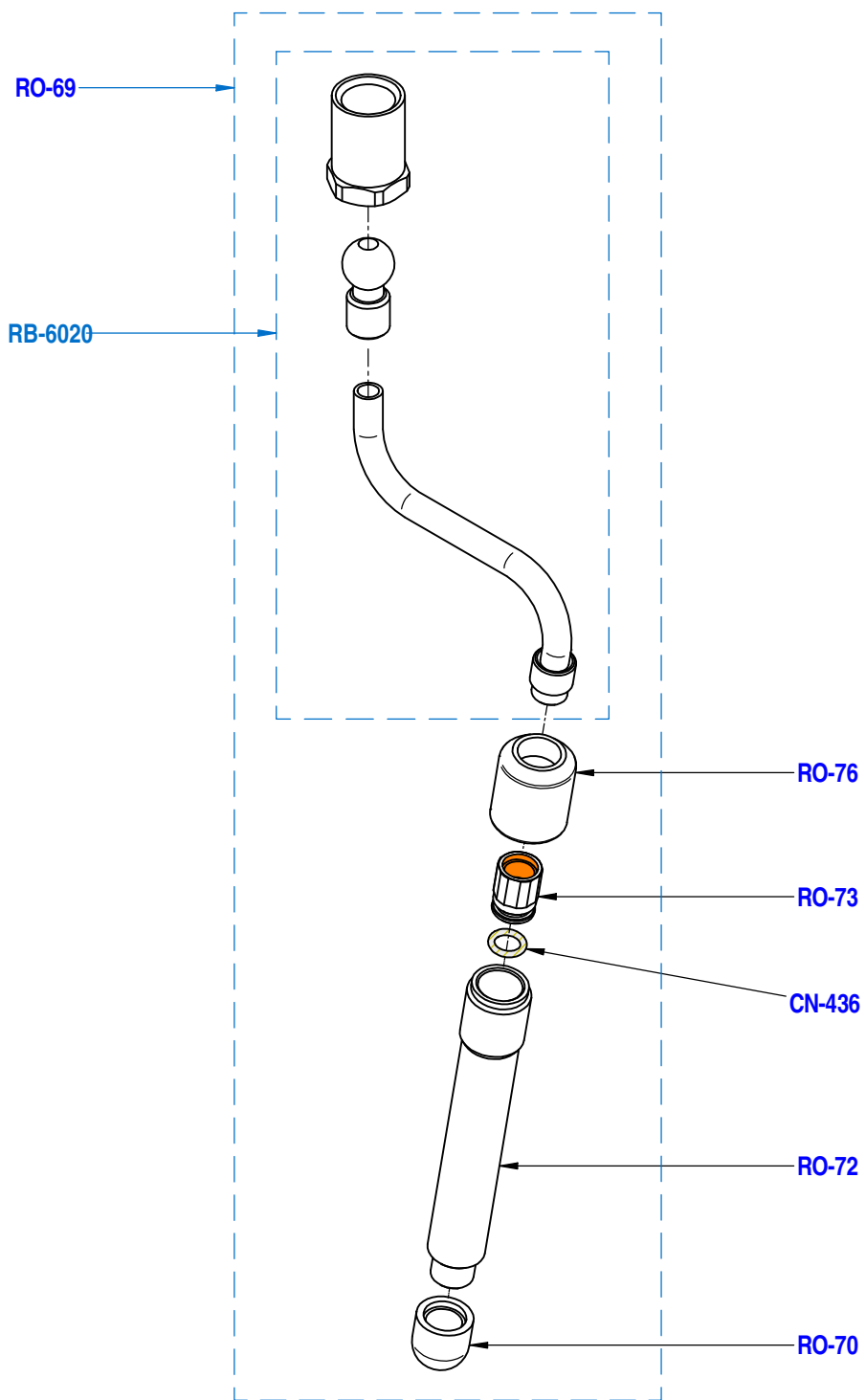


PLANCHE - PLATE 220

REF	ELUX	DESIGNATIONS FR	DESIGNATIONS GB
CN-436	0UN145	JOINT TORIQUE 1,78X8,73 EPDM	GASKET 8,73 X 1,78
RB-6020		TUBE CHROME SORTIE VAPEUR NSF	STEAM OUTLET PIPE
RO-69		SORTIE VAPEUR TEFLON	TEFLON STEAM SPOUT
RO-70		EMBOUT VAPEUR TEFLON 6 TROUS	LOW TEFLON PIPE
RO-72		TUBE TEFLON	PIPE TEFLON
RO-73		RACCORD SORTIE VAPEUR	FITTING STEAM OUTLET
RO-76		BAGUE SORTIE VAPEUR	FITTING PLASTIC



 Graisse 8104

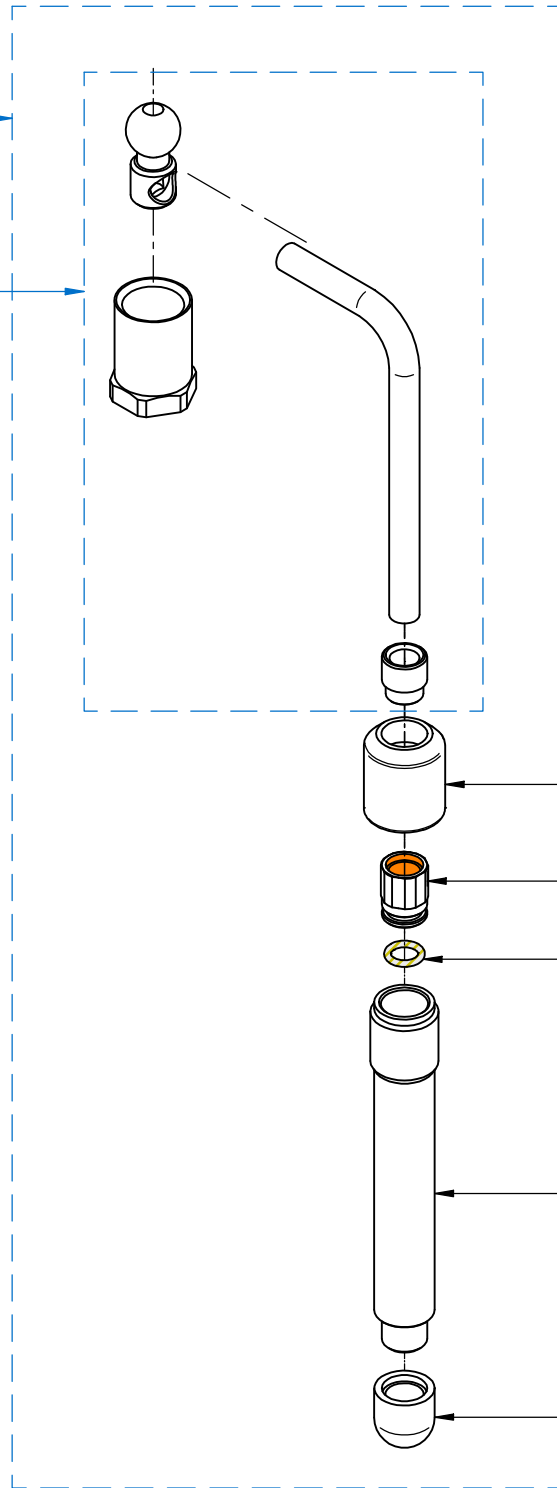
 Loctite 542

PLANCHE - PLATE 221

REF	ELUX	DESIGNATIONS FR	DESIGNATIONS GB
CN-436	0UN145	JOINT TORIQUE 1,78X8,73 EPDM	GASKET 8,73 X 1,78
FR-1058		SORTIE VAPEUR PTFE	PTFE STEAM OUTLET
FR-6014	0UN998	TUBE SORTIE VAPEUR PTFE	PTFE STEAM OUTLET PIPE
RO-70		EMBOUT VAPEUR TEFLON 6 TROUS	LOW TEFLON PIPE
RO-72		TUBE TEFLON	PIPE TEFLON
RO-73		RACCORD SORTIE VAPEUR	FITTING STEAM OUTLET
RO-76		BAGUE SORTIE VAPEUR	FITTING PLASTIC

FR-1058

FR-6014



RO-76

RO-73

CN-436

RO-72

RO-70

 Graisse 8104

 Loctite 542

PLANCHE - PLATE 230

REF	ELUX	DESIGNATIONS FR	DESIGNATIONS GB
23119	0UN313	GICLUR DIAM:0,9	GICLUR DIAM. 0.9
25708	0UN999	RACCORD SORTIE DEBIT REGLABLE	ADJUSTABLE OUTLET FITTING
25710	0UN988	MOLETTE POUR SORTIE DEBIT REGLABLE	ADJUSTABLE OUTLET TOOTHED WHEEL
25728		TUBE SORTIE EAU CHAUDE INOX	HOT WATER OUTLET PIPE
25900		BRISE JET BOULE POUR IRISH	ANTI PLASH BALL FOR IRISH
25910	0UN523	POIGNEE SORTIE EAU CHAUDE ET VAPEUR	HOT WATER AND STEAM OUTLET HANDLE
25911	0UN543	BAGUE POUR POIGNEE EAU ET VAPEUR	WATER AND STEAM HANDLE COLLAR
25921		RALLONGE SORTIE IRISH	IRISH OUTLET EXTENSION
25922		EMBOUT SORTIE IRISH DEBIT REGLABLE	ADJUSTABLE FLOW IRISH NOZZLE
46028	0UN276	AUTOCOLLANT SORTIES REGLABLES	ADJUSTABLE OUTLET STICKER
CN-436	0UN145	JOINT TORIQUE 1,78X8,73 EPDM	GASKET 8,73 X 1,78
DV-1025		SORTIE VAPEUR DEBIT REGLABLE	ADJUSTABLE FLOW STEAM OUTLET

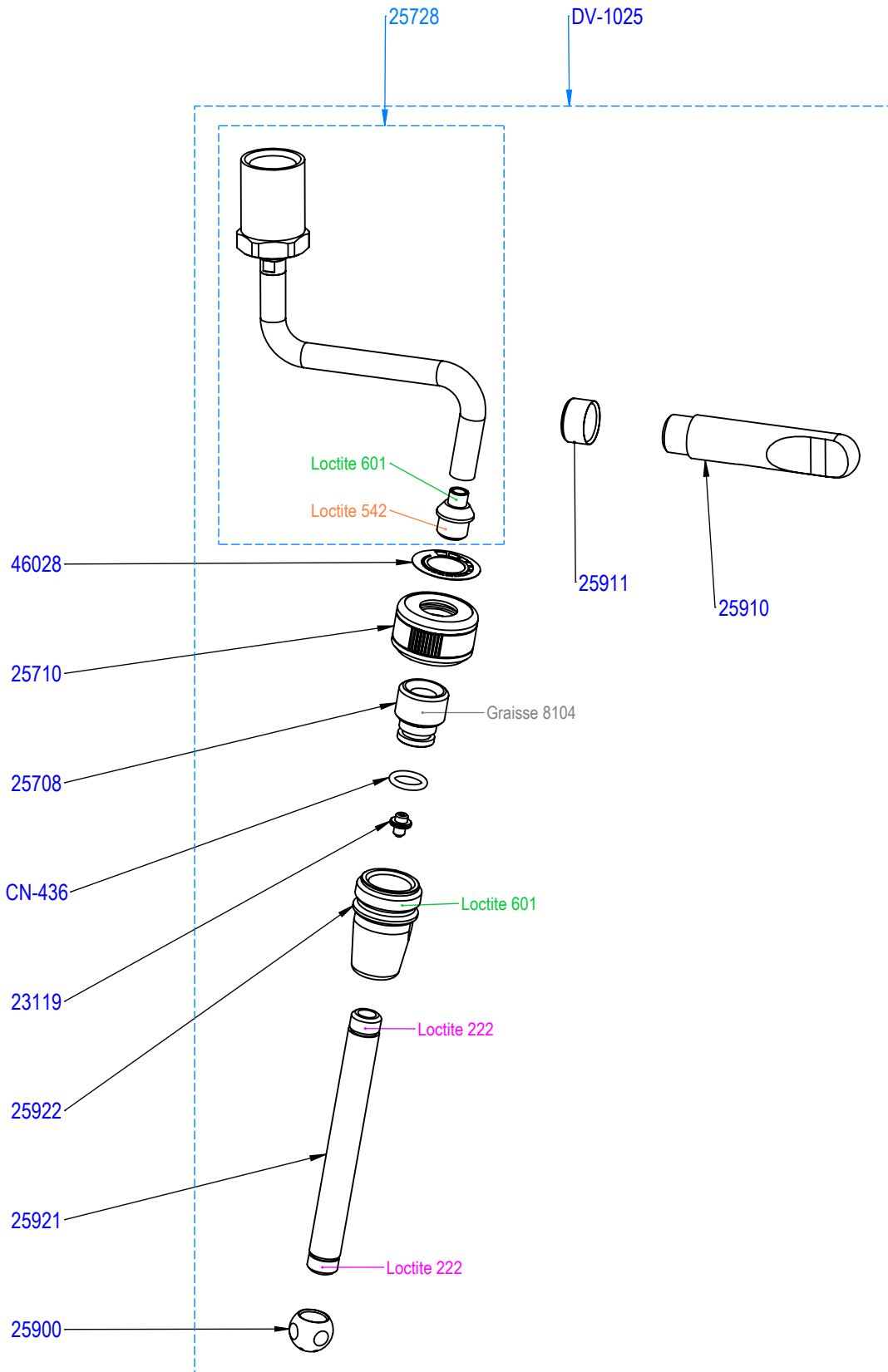
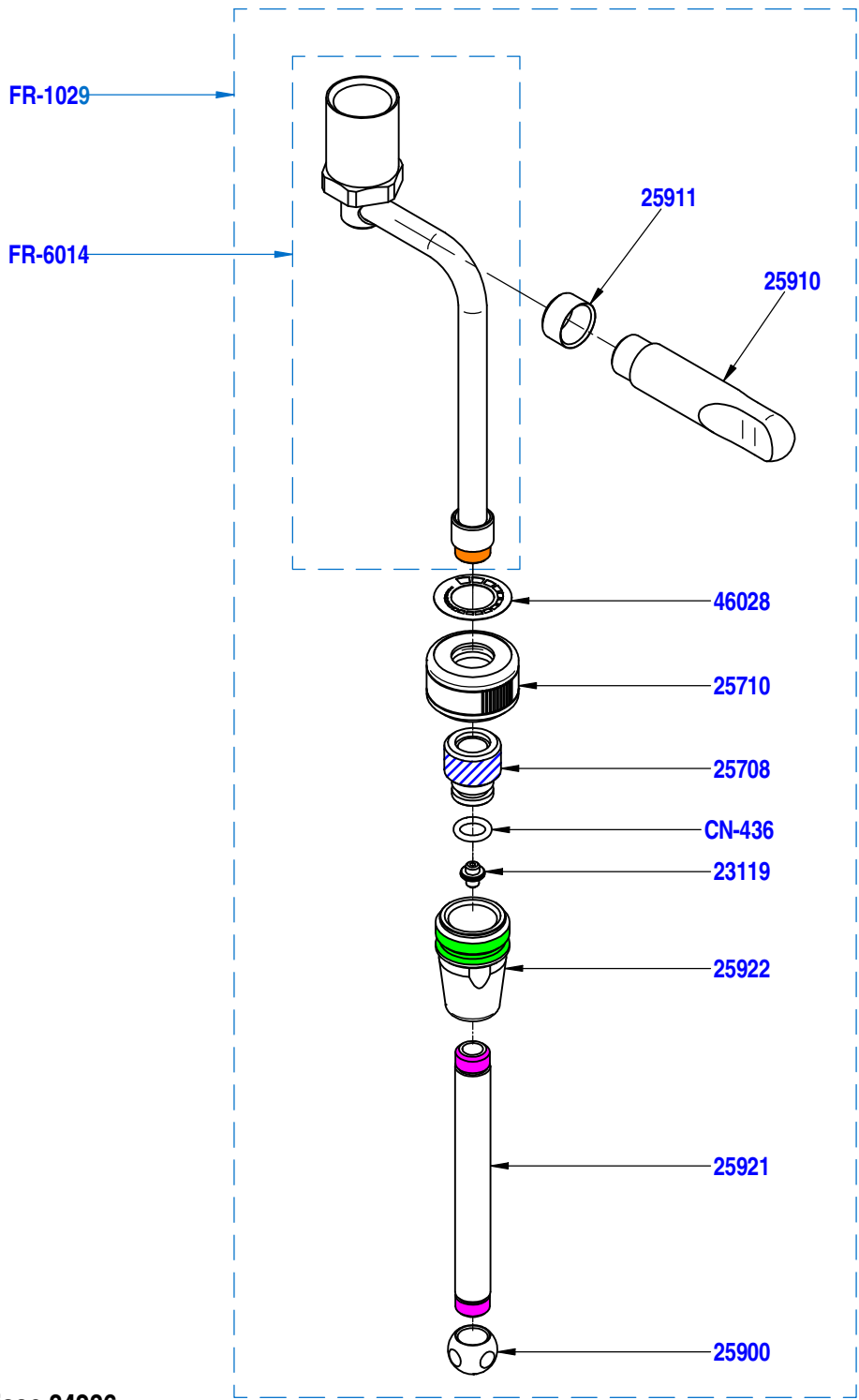


PLANCHE - PLATE 232

REF	ELUX	DESIGNATIONS FR	DESIGNATIONS GB
23119	0UN313	GICLEUR DIAM:0,9	GICLUER DIAM. 0.9
25708	0UN999	RACCORD SORTIE DEBIT REGLABLE	ADJUSTABLE OUTLET FITTING
25710	0UN988	MOLETTE POUR SORTIE DEBIT REGLABLE	ADJUSTABLE OUTLET TOOTHED WHEEL
25900		BRISE JET BOULE POUR IRISH	ANTI PLASH BALL FOR IRISH
25910	0UN523	POIGNEE SORTIE EAU CHAUDE ET VAPEUR	HOT WATER AND STEAM OUTLET HANDLE
25911	0UN543	BAGUE POUR POIGNEE EAU ET VAPEUR	WATER AND STEAM HANDLE COLLAR
25921		RALLONGE SORTIE IRISH	IRISH OUTLET EXTENSION
25922		EMBOUT SORTIE IRISH DEBIT REGLABLE	ADJUSTABLE FLOW IRISH NOZZLE
46028	0UN276	AUTOCOLLANT SORTIES REGLABLES	ADJUSTABLE OUTLET STICKER
CN-436	0UN145	JOINT TORIQUE 1,78X8,73 EPDM	GASKET 8,73 X 1,78
FR-1029		SORTIE VAPEUR REGLABLE	ADJUSTABLE STEAM OUTLET
FR-6014	0UN998	TUBE SORTIE VAPEUR PTFE	PTFE STEAM OUTLET PIPE






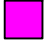
-  Graisse 84236
-  Loctite 542
-  Loctite 262
-  Loctite 222

PLANCHE - PLATE 238

REF	ELUX	DESIGNATIONS FR	DESIGNATIONS GB
25905		SUPPORT DE SONDE	PROBE SUPPORT
25907	0UN919	TUBE PTFE STEAMAIR	PTFE STEAMAIR PIPE
25909	0UN154	EMBOUT PTFE 12 TROUS	12 HOLES END PIPE
CN-436	0UN145	JOINT TORIQUE 1,78X8,73 EPDM	GASKET 8,73 X 1,78
NZ-1020		SORTIE STEAMAIR STELLA	STELLA STEAMAIR OUTLET
NZ-8001		SONDE VAPEUR THERMOSTATEE	THERMOSTATED STEAM PROBE
PC-38	0UN200	VIS STHC M5X8 BOUT POINTU	POINT END SCREW
RO-55	0UN420	BARILLET	BARREL
RO-57	0UN951	MELANGEUR EN LAITON	MIXER
RO-58	0UN209	POUSSOIR A BILLE	THRUST BALL BEARING
RO-59A		TUBE SORTIE VAPEUR SP	CHROME COPPER TUBE
RO-68	0UNA01	CACHE BARILLET	BARREL COVER

RO-59A

NZ-1020

CN-436

RO-58

RO-55

PC-38

RO-57

RO-68

NZ-8001

25907

25905

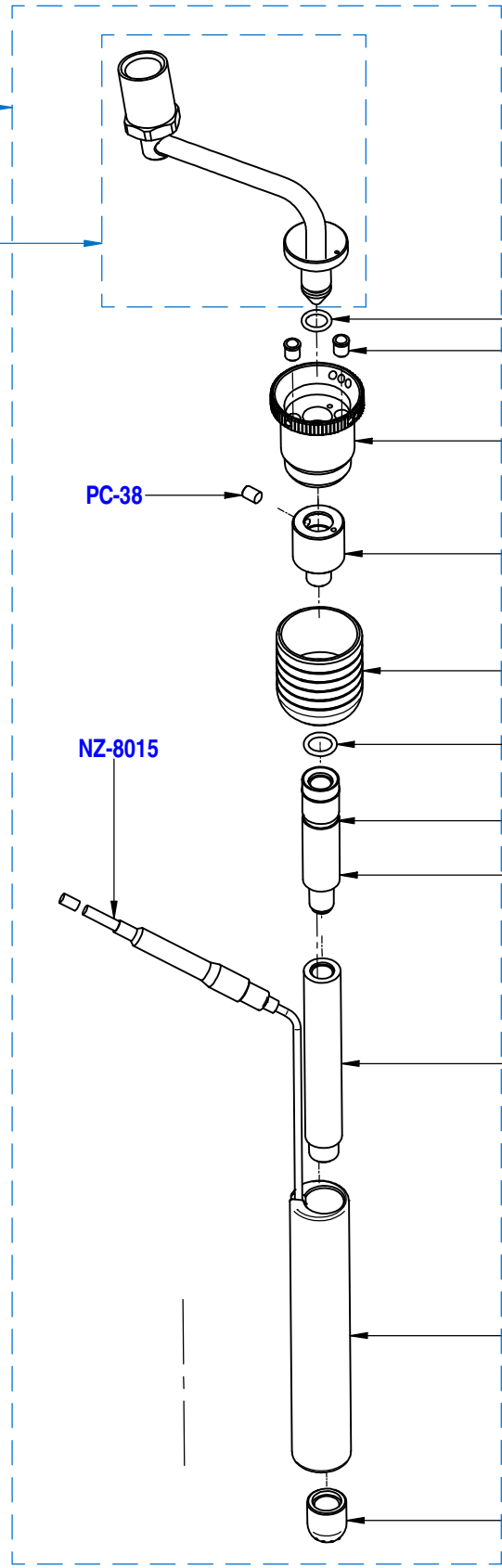
25909

PLANCHE - PLATE 239

REF	ELUX	DESIGNATIONS FR	DESIGNATIONS GB
25904	0UN343	RALLONGE SORTIE CAPPUCINO	CAPPUCINO OUTLET EXTENSION
25906	0UN579	SUPPORT DE SONDE TANGO	TANGO PROBE SUPPORT
25907	0UN919	TUBE PTFE STEAMAIR	PTFE STEAMAIR PIPE
25909	0UN154	EMBOUT PTFE 12 TROUS	12 HOLES END PIPE
28134	0UN146	JOINT TORIQUE 2X9,5 FKM 80SH	GASKET 2X9,5
CN436	0UN145	JOINT TORIQUE 1,78X8,73 EPDM	GASKET 8,73 X 1,78
NZ-1021		SORTIE STEAMAIR STELLA V+	STELLA V+ STEAMAIR OUTLET
NZ-8015		SONDE VAPEUR THERMOSTATEE V+	V+ THERMOSTATED STEAM PROBE
PC-38	0UN200	VIS STHC M5X8 BOUT POINTU	POINT END SCREW
PH-78	0UN202	JOINT TORIQUE 2,62X9,13 EPDM	O RING - 9,13 X 2,62
RO-55	0UN420	BARILLET	BARREL
RO-57	0UN951	MELANGEUR EN LAITON	MIXER
RO-58	0UN209	POUSSOIR A BILLE	THRUST BALL BEARING
RO-59A		TUBE SORTIE VAPEUR SP	CHROME COPPER TUBE
RO-68	0UNA01	CACHE BARILLET	BARREL COVER

NZ-1021

RO-59A



CN-436

RO-58

RO-55

PC-38

RO-57

RO-68

NZ-8015

28134

PH-78

25904

25907

25906

25909

PLANCHE - PLATE 244

REF	ELUX	DESIGNATIONS FR	DESIGNATIONS GB
12708	0UN073	TUBE SILICONE CAPPUCCINATORE L	CAPPUCCINATORE SILICONE PIPE
26102		MELANGEUR CAPPUCCINATORE	CAPPUCCINATORE MIXING TUBE
26134	0UN830	CAPPUCCINO IDEA	CAPPUCCINATORE
26147		BUSE VAPEUR	STEAM NOZZLE
26148	0UN448	BRISE JET	ANTI PLASH PLUG
26149	0UN565	MOUSSEUR	FROTHER
26151	0UN426	REDUCTEUR CAPPUCCINATORE D1.7	CAPPUCCINATORE REDUCER D1.7
26152	0UN504	REDUCTEUR CAPPUCCINATORE D2	CAPPUCCINATORE REDUCER D2
27715	0UNA1S	JOINT TORIQUE 1,78X8,73 SILICONE	GASKET 8,73 X 1,78
DV-1010		KIT CAPPUCCINATORE COMPLET	WHOLE CAPPUCCINATORE KIT
DV-6001		TUBE SORTIE VAPEUR	STEAM OUTLET PIPE
PH78	0UN202	JOINT TORIQUE 2,62X9,13 EPDM	O RING - 9,13 X 2,62

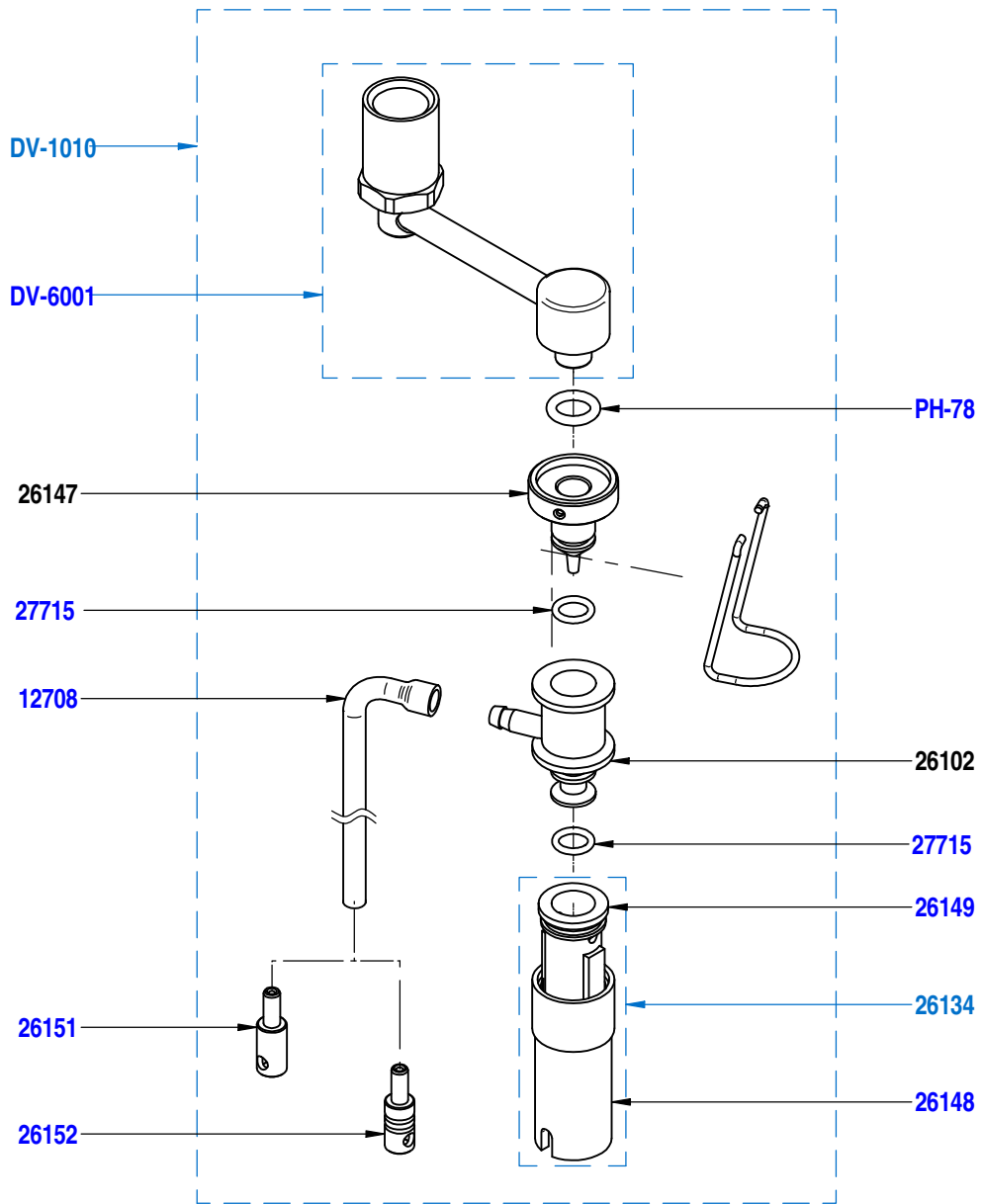
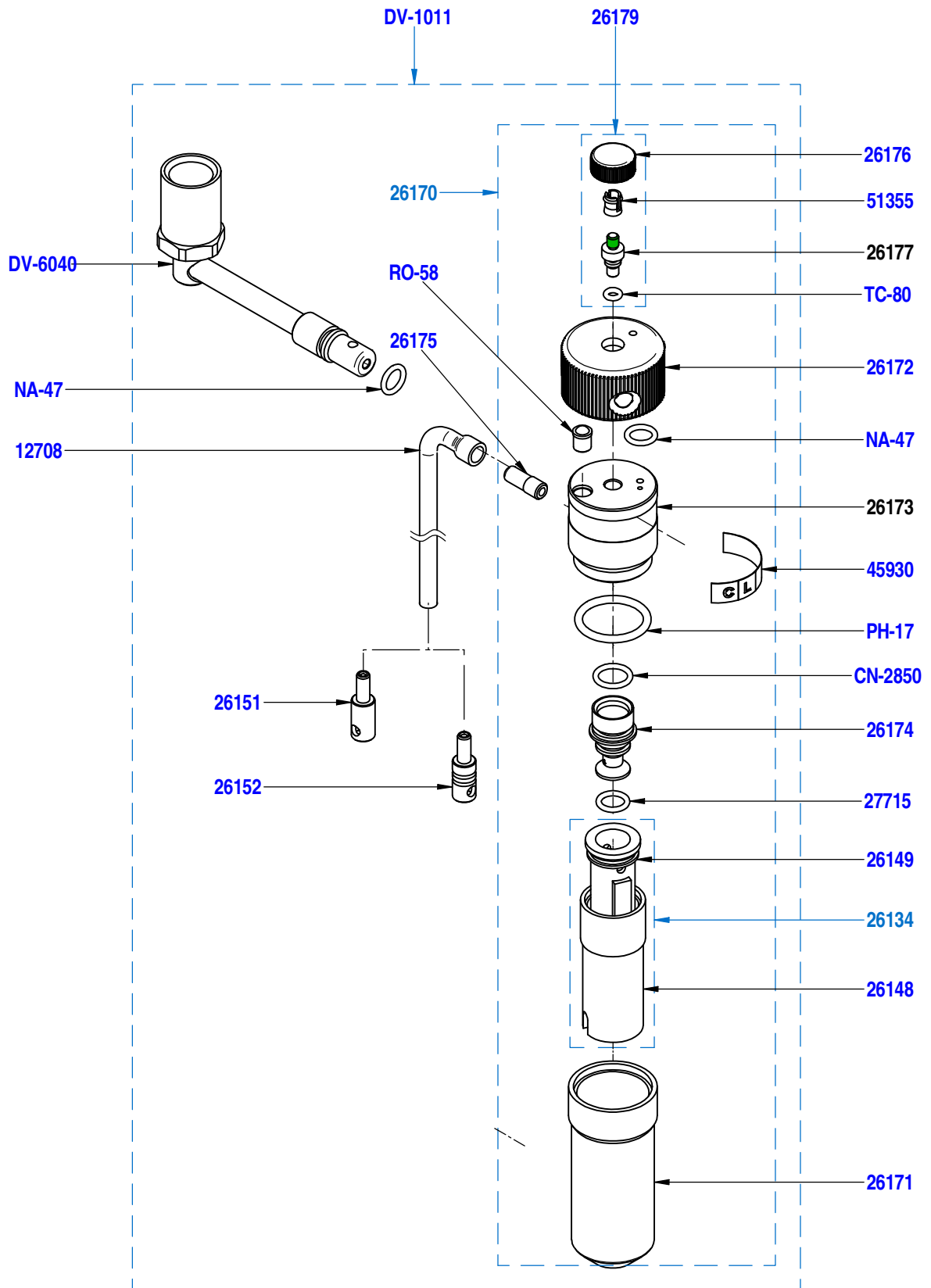


PLANCHE - PLATE 246

REF	ELUX	DESIGNATIONS FR	DESIGNATIONS GB
12708	0UN073	TUBE SILICONE CAPPUCCINATORE L	CAPPUCCINATORE SILICONE PIPE
26134	0UN830	CAPPUCCINO IDEA	CAPPUCCINATORE
26148	0UN448	BRISE JET	ANTI PLASH PLUG
26149	0UN565	MOUSSEUR	FROTHER
26151	0UN426	REDUCTEUR CAPPUCCINATORE D1.7	CAPPUCCINATORE REDUCER D1.7
26152	0UN504	REDUCTEUR CAPPUCCINATORE D2	CAPPUCCINATORE REDUCER D2
26170		SORTIE CAPPUCCINATORE LC	LC CAPPUCCINATORE OUTLET
26171	0UN438	BEC VERSEUR	SPOUT
26172		MANETTE	LEVER
26173		CORPS	BODY
26174	0UN355	MELANGEUR	MIXER
26175	0UN483	EMBOUT M6	M6 NOZZLE
26176		MOLETTE VIS	SCREW PLUG
26177		AXE M4	M4 AXLE
26179		VIS M4 COMPLET	WHOLE M4 SCREW
27715	0UNA1S	JOINT TORIQUE 1,78X8,73 SILICONE	GASKET 8,73 X 1,78
45930		ETIQUETTE LC	LC STICKER
51255	0UN971	VIS TH M6 X 10 INOX	S. STEEL SCREW M6 X 10
CN-2850	0UN180	JOINT TORIQUE 1,78X10,82	GASKET 10.82x1.78
DV-1011		KIT CAPPUCCINATORE COMPLET	WHOLE CAPPUCCINATORE KIT
DV-6040		TUBE CUIVRE LC	LC COPPER PIPE
NA-47		JOINT TORIQUE 1.78X7.66 EPDM	O RING - 1.78 X 7.66 EPDM
PH-17	0UNA03	JOINT TORIQUE 2,62X20,63 EPDM	GASKET 20,63 X 2,62
RO-58	0UN209	POUSSOIR A BILLE	THRUST BALL BEARING
TC-80	0UN211	JOINT TORIQUE 1,78X2,90 FKM	GASKET 1.78X2.90 FKM



 Loctite 601

PLANCHE - PLATE 248

REF	ELUX	DESIGNATIONS FR	DESIGNATIONS GB
RO-62A		SORTIE CAPPUCCINO A BARRILLET	CAPPUCCINO OUTLET
RO-59A		TUBE SORTIE VAPEUR SP	CHROME COPPER TUBE
CN-436	0UN145	JOINT TORIQUE 1,78X8,73 EPDM	GASKET 8,73 X 1,78
RO-28	0UN555	EMBOUT POUR TUBE	SPOUT FOR PIPE
RO-55	0UN420	BARILLET	BARREL
RO-68	0UNA01	CACHE BARILLET	BARREL COVER
RO-57	0UN951	MELANGEUR EN LAITON	MIXER
RO-54		SORTIE PTFE 17 TROUS	PTFE OUTLET 17 HOLES
PC-38	0UN200	VIS STHC M5X8 BOUT POINTU	POINT END SCREW

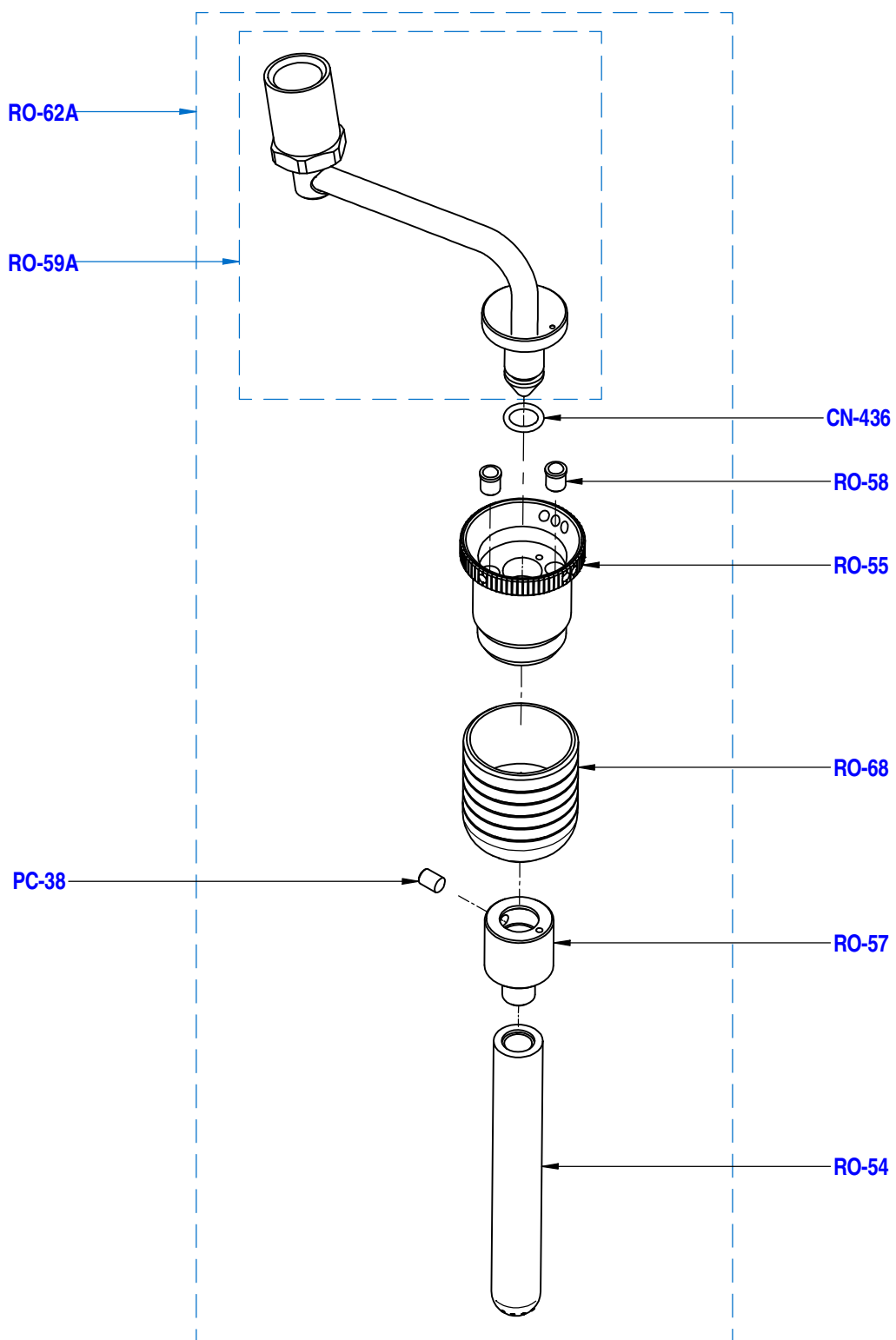


PLANCHE - PLATE 250

REF	ELUX	DESIGNATIONS FR	DESIGNATIONS GB
23760	0UN291	AXE BANJO 1/4	BANJO SCREW 1/4
23761	0UN474	CORPS DE BANJO 1/4	BANJO BODY 1/4
25915	0UN531	CACHE SORTIE EAU VAPEUR	COVER OUTLET STEAM WATER
27796	0UN023	JOINT TORIQUE 1,78 X 12,42 NEXUS	O RING 1.78 X 12,42
28352	0UN017	JOINT PLAT 20X12X2 EPDM 70SH	GASKET 20X12X2
35042		ELECTROVANNE 3V 230V 50/60Hz	ELECTROVALVE 3W 230V 50/60Hz
DO-71	0UN095	DOSEUR D'EAU COMPLET D=2,5	WHOLE WATER DOS. DEVICE D:2,5
DV-170	0UN645	ECROU CHROME	NUT 3/8
DV-171	0UN498	RACCORD 3/8-1/4	FITTING 3/8
NZ-6005		TUBE EV EAU CHAUDE	HOT WATER EV PIPE
PA-43	0UN199	RESSORT F15/10 L14,5 D10,5 P3	SPRING
PH-54	0UN133	JOINT TORIQUE 2,62X13,95 EPDM	O RING - 13.95 x 2.62
PH-78	0UN202	JOINT TORIQUE 2,62X9,13 EPDM	O RING - 9,13 X 2,62
RR-67	0UN210	EMBOUT LAITON	BRASS END

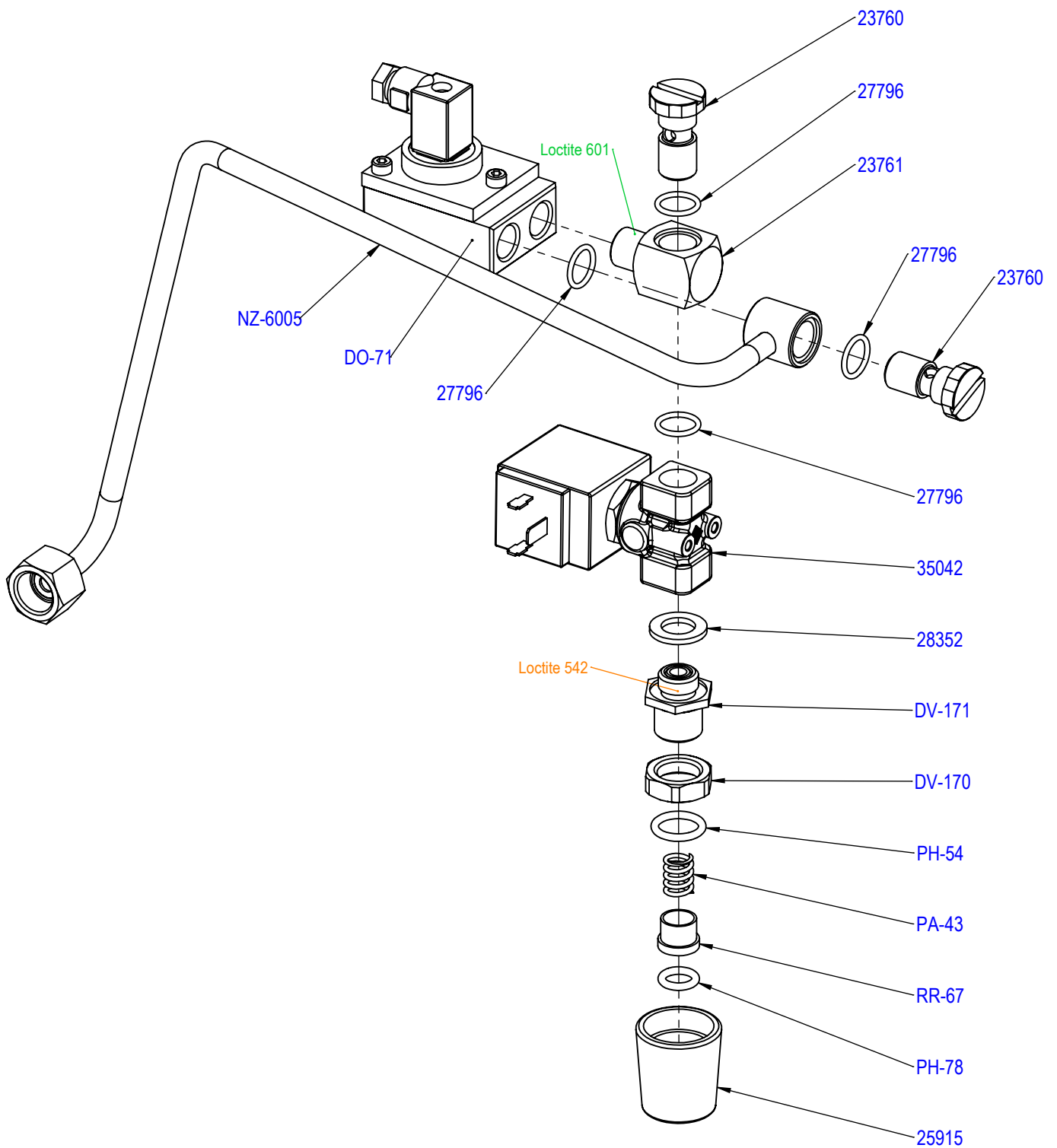


PLANCHE - PLATE 251

REF	ELUX	DESIGNATIONS FR	DESIGNATIONS GB
20957	0UN372	RACCORD DROIT 1/8G	FITTING 1/8G
20990		RACCORD 3/8M 3/8M 1/8F	FITTING 3/8M 3/8M 1/8F
21100	0UN994	BOUCHON 1/8	PLUG 1/8
23760	0UN291	AXE BANJO 1/4	BANJO SCREW 1/4
23761	0UN474	CORPS DE BANJO 1/4	BANJO BODY 1/4
23766	0UN425	AXE BANJO 1/4M - 1/8F	BANJO SCREW 1/4M 1/8F
25915	0UN531	CACHE SORTIE EAU VAPEUR	COVER OUTLET STEAM WATER
26301	0UN030	CLAPET ANTI-RETOUR 1/8	NO RETURN VALVE 1/8
27796	0UN023	JOINT TORIQUE 1,78 X 12,42 NEXUS	O RING 1.78 X 12,42
28134	0UN019	JOINT TORIQUE 2X9,5 NEXUS	O RING 2X9,5
50125	0UNA68	VIS TB CRUCIFORME A EMBASE M4 x 8	CRUCIFORM SCREW M4 x 8
51351	0UN296	ECROU 1/8	NUT 1/8
CN-436	0UN145	JOINT TORIQUE 1,78X8,73 EPDM	GASKET 8,73 X 1,78
CN-544	0UN901	RONDELLE ACIER ZN 17 x 28 x 2	WASHER
CN-631R	0UN029	EV 2V REGL. 24V-50/60Hz	ELECTROVALVE 2W ADJ. 24V-50/60Hz
DO-71	0UN095	DOSEUR D'EAU COMPLET D=2,5	WHOLE WATER DOS. DEVICE D:2,5
DV-170	0UN645	ECROU CHROME	NUT 3/8
FR-4049	0UN921	RACCORD 1/8M M8 X 100	FITTING 1/8M M8 X 100
FR-4136	0UN375	RACCORD SORTIE EAU MITIGEE	MIXED WATER FITTING
FR-4138	0UN923	BOUCHON MELANGEUR	MIXER CAP
ID1-29	0UNA5Z	VIS INOX POELIER VM 4 X 8	SCREW 4 X 8
NA-18	0UN697	ECROU LAITON 3/8 6 mm	3/8 NUT
NZ-1067		EV REGLABLE 24V EAU CHAUDE MITIGEE	24V ADJUSTABLE ELECTROVALVE MIXED HOT WATER
NZ-1068		KIT EAU CHAUDE MITIGEE STELLA	MIXED HOT WATER KIT FOR STELLA
NZ-6005		TUBE EV EAU CHAUDE	HOT WATER EV PIPE
NZ-6528		TUBE PTFE L:280 mm	PTFE PIPE L:280 mm
PA-43	0UN199	RESSORT F15/10 L14,5 D10,5 P3	SPRING
PA-96		JOINT TORIQUE 1,78X12,42 EPDM	GASKET 1.78 X 12.42
PH-54	0UN133	JOINT TORIQUE 2,62X13,95 EPDM	O RING - 13.95 x 2.62
PH-78	0UN202	JOINT TORIQUE 2,62X9,13 EPDM	O RING - 9,13 X 2,62
RR-67	0UN210	EMBOUT LAITON	BRASS END
TG-6506		TUBE PTFE	PTFE PIPE

PLANCHE - PLATE 261

REF	ELUX	DESIGNATIONS FR	DESIGNATIONS GB
25716		BRISE JET POUR TUBE INOX EAU CHAUDE	<i>WINDSHIELD FOR HOT WATER PIPE</i>
25728		TUBE SORTIE EAU CHAUDE INOX	<i>HOT WATER OUTLET PIPE</i>
25730		SORTIE EAU CHAUDE INOX COMPLETE	<i>HOT WATER OUTLET</i>
25910	0UN523	POIGNEE SORTIE EAU CHAUDE ET VAPEUR	<i>HOT WATER AND STEAM OUTLET HANDLE</i>
25911	0UN543	BAGUE POUR POIGNEE EAU ET VAPEUR	<i>WATER AND STEAM HANDLE COLLAR</i>

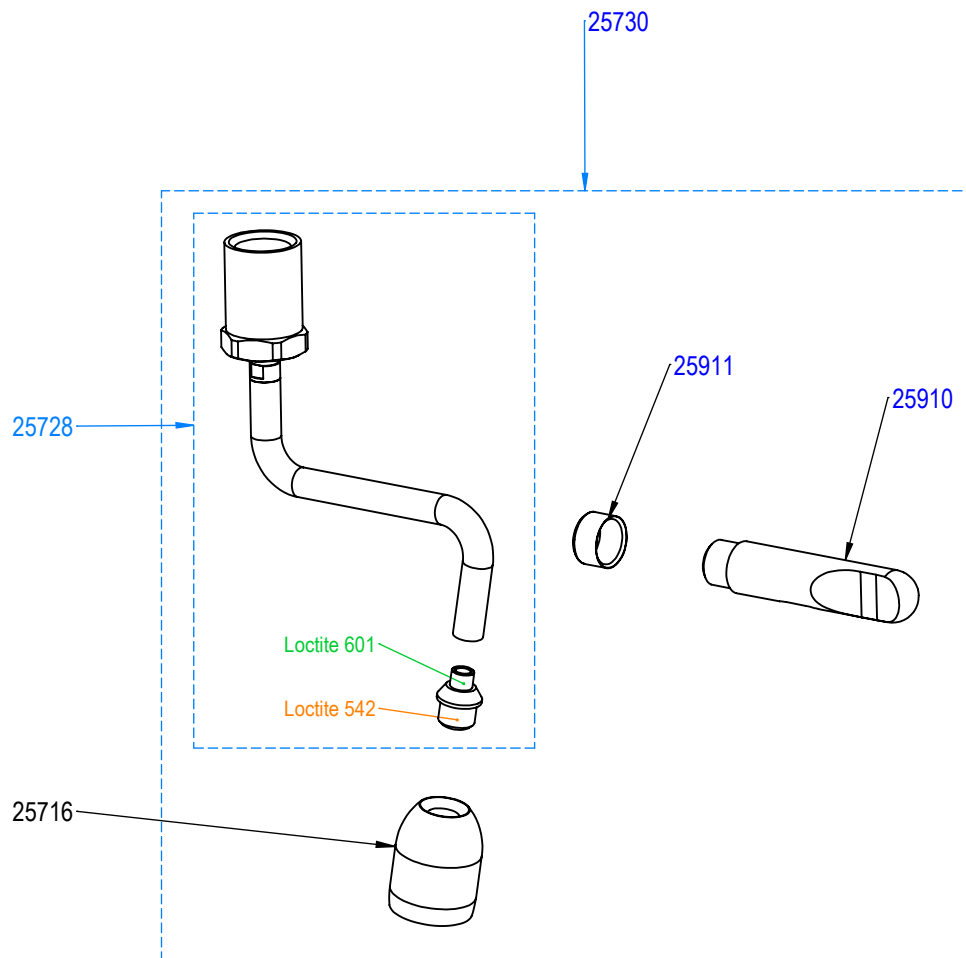


PLANCHE - PLATE 271

REF	ELUX	DESIGNATIONS FR	DESIGNATIONS GB
23118	0UNA02	SUPPORT GICLUR SORTIE EAU CHAUDE	HOT WATER GICLUR SUPPORT
23119	0UN313	GICLUR DIAM:0,9	GICLUR DIAM. 0.9
25708	0UN999	RACCORD SORTIE DEBIT REGLABLE	ADJUSTABLE OUTLET FITTING
25710	0UN988	MOLETTE POUR SORTIE DEBIT REGLABLE	ADJUSTABLE OUTLET TOOTHED WHEEL
25712	0UN981	EMBOUT EAU CHAUDE DEBIT REGLABLE	ADJUSTABLE HOT WATER SPOUT
25728		TUBE SORTIE EAU CHAUDE INOX	HOT WATER OUTLET PIPE
25910	0UN523	POIGNEE SORTIE EAU CHAUDE ET VAPEUR	HOT WATER AND STEAM OUTLET HANDLE
25911	0UN543	BAGUE POUR POIGNEE EAU ET VAPEUR	WATER AND STEAM HANDLE COLLAR
46028	0UN276	AUTOCOLLANT SORTIES REGLABLES	ADJUSTABLE OUTLET STICKER
CN-436	0UN145	JOINT TORIQUE 1,78X8,73 EPDM	GASKET 8,73 X 1,78
DV-1024		SORTIE EAU CHAUDE REGLABLE	ADJUSTABLE HOT WATER OUTLET

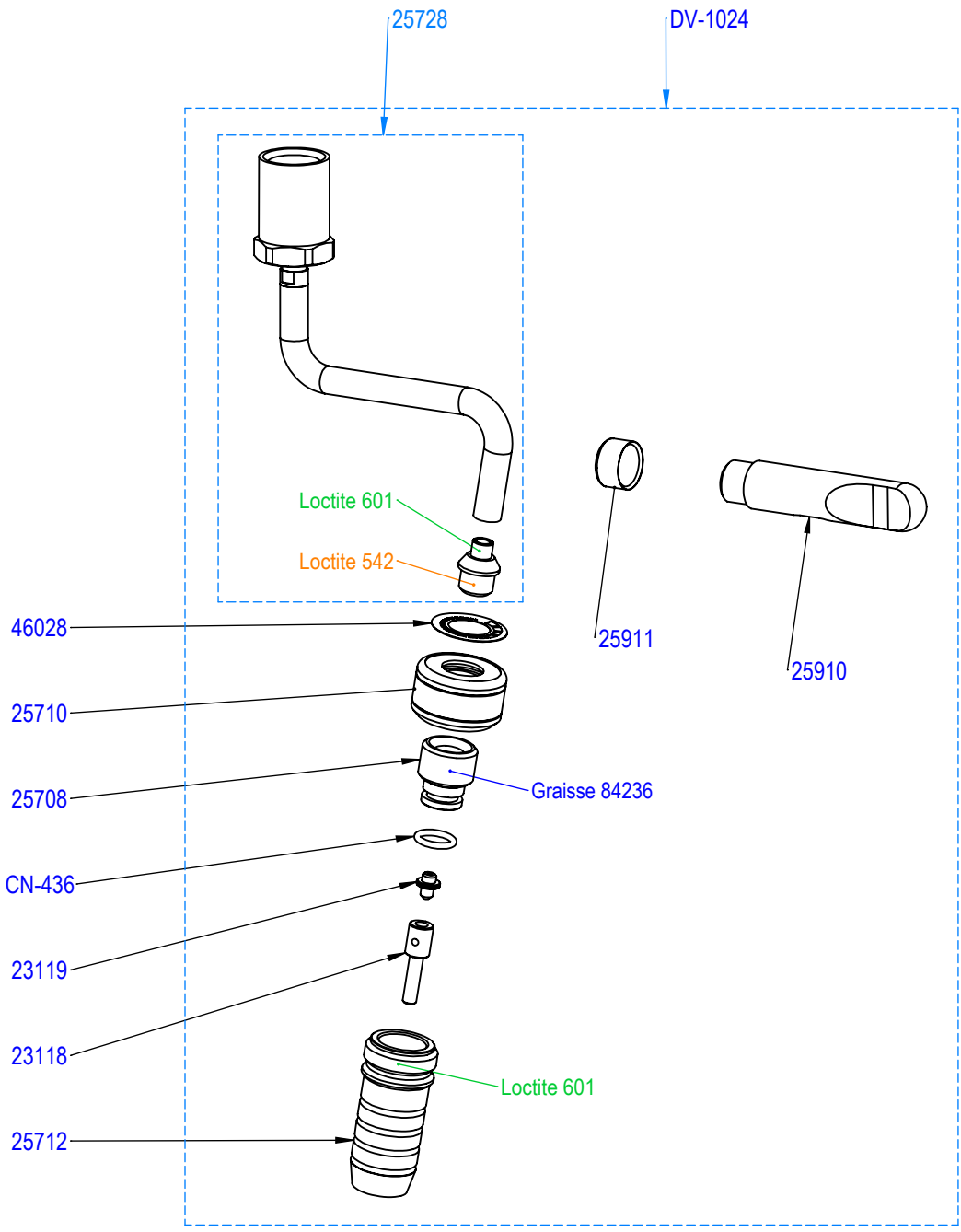


PLANCHE - PLATE 302

REF	ELUX	DESIGNATIONS FR	DESIGNATIONS GB
25730		SORTIE EAU CHAUDE INOX COMPLETE	HOT WATER OUTLET
25902		SORTIE VAPEUR STELLA INOX	STELLA S.STEEL STEAM OUTLET
25903	0UN424	SORTIE VAPEUR INOX V+	V+ STAINLESS STEEL STEAM OUTLET
ID-75	0UN347	TUBE FLEXIBLE COUDE ARME INOX	FLEXIBLE PIPE
NZ-6000		TUBE DECOMPRESSION	DECOMPRESSION PIPE
NZ-6001		TUBE DECOMPRESSION V+	DECOMPRESSION V+ PIPE
NZ-6004		TUBE EV VAPEUR DROIT	RIGHT STEAM EV PIPE
NZ-6005		TUBE EV EAU CHAUDE	HOT WATER EV PIPE
NZ-6006		TUBE ALIMENTATION GROUPE	UNIT FEEDING PIPE
NZ-6008		RAMPE DOSEUR ET ENTREE EAU	WATER FEEDING & DOSER PIPE
NZ-6010		TUBE ROBINET VAPEUR GAUCHE	LEFT STEAM TAP PIPE
NZ-6011		TUBE REMPLISSAGE CHAUDIERE	BOILER FEEDING PIPE
NZ-6012		TUBE CAPTEUR RESEAU	NETWORK SENSOR PIPE
NZ-6013		TUBE CAPTEUR VAPEUR	STEAM SENSOR PIPE
NZ-6018		TUBE ALIM. GROUPE PRE INFUSION	PRE BREWING UNIT FEEDING PIPE
NZ-6024		TUBE RILSAN SOUPLE SOUPAPE HP	HP VALVE FLEXIBLE DRAIN TUBE
NZ-6025		TUBE RILSAN SOUPLE SOUPAPE HP (V+)	HP VALVE FLEXIBLE DRAIN TUBE (V+)

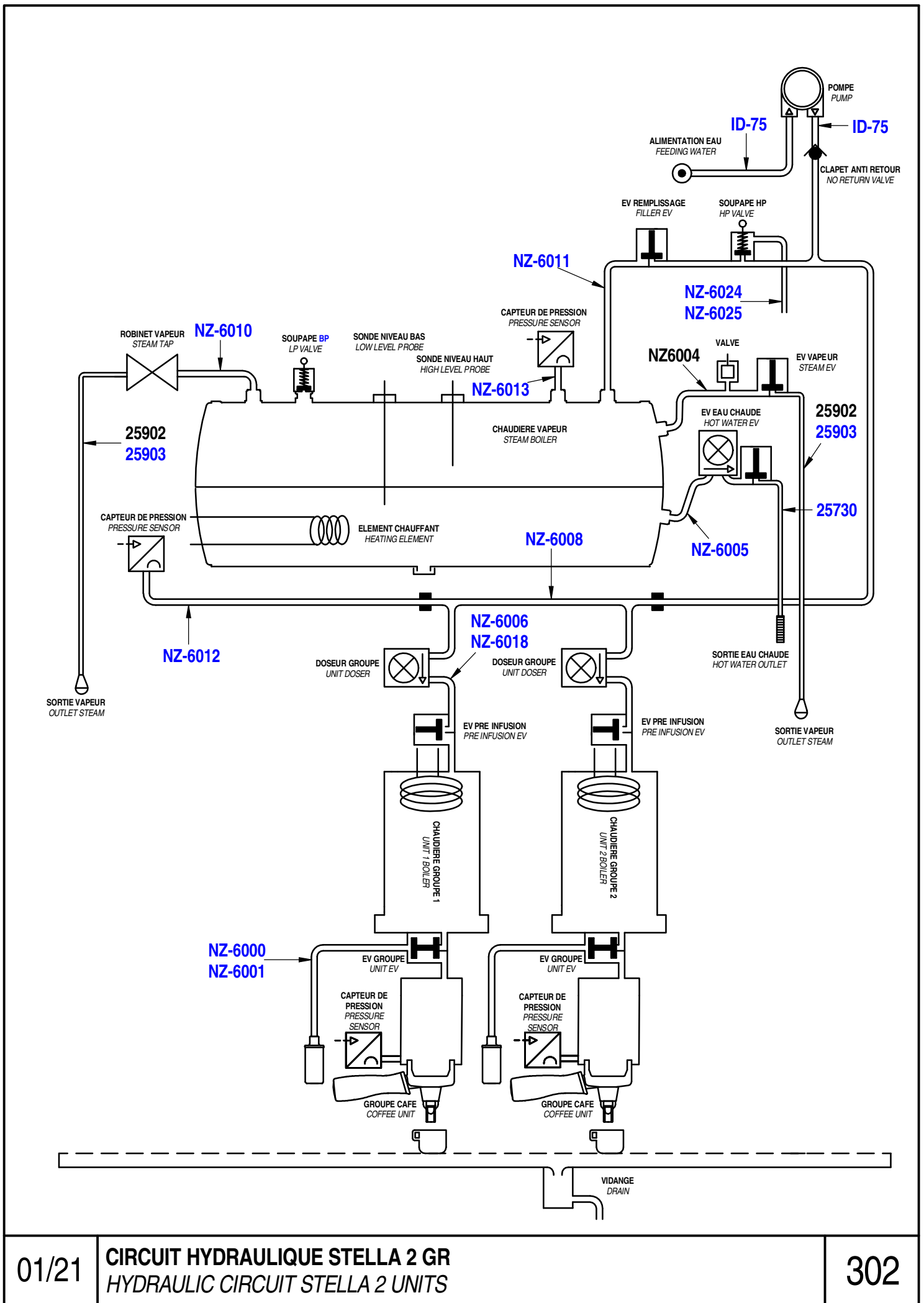


PLANCHE - PLATE 303

REF	ELUX	DESIGNATIONS FR	DESIGNATIONS GB
25902		SORTIE VAPEUR STELLA INOX	STELLA S.STEEL STEAM OUTLET
25903	0UN424	SORTIE VAPEUR INOX V+	V+ STAINLESS STEEL STEAM OUTLET
ID-75	0UN347	TUBE FLEXIBLE COUDE ARME INOX	FLEXIBLE PIPE
NZ-6000		TUBE DECOMPRESSION	DECOMPRESSION PIPE
NZ-6001		TUBE DECOMPRESSION V+	DECOMPRESSION V+ PIPE
NZ-6004		TUBE EV VAPEUR DROIT	RIGHT STEAM EV PIPE
NZ-6005		TUBE EV EAU CHAUDE	HOT WATER EV PIPE
NZ-6006		TUBE ALIMENTATION GROUPE	UNIT FEEDING PIPE
NZ-6008		RAMPE DOSEUR ET ENTREE EAU	WATER FEEDING & DOSER PIPE
NZ-6010		TUBE ROBINET VAPEUR GAUCHE	LEFT STEAM TAP PIPE
NZ-6011		TUBE REMPLISSAGE CHAUDIERE	BOILER FEEDING PIPE
NZ-6012		TUBE CAPTEUR RESEAU	NETWORK SENSOR PIPE
NZ-6013		TUBE CAPTEUR VAPEUR	STEAM SENSOR PIPE
NZ-6018		TUBE ALIM. GROUPE PRE INFUSION	PRE BREWING UNIT FEEDING PIPE
NZ-6020		TUBE ROBINET VAPEUR DROIT	RIGHT STEAM TAP PIPE
NZ-6024		TUBE RILSAN SOUPLE SOUPAPE HP	HP VALVE FLEXIBLE DRAIN TUBE
NZ-6025		TUBE RILSAN SOUPLE SOUPAPE HP (V+)	HP VALVE FLEXIBLE DRAIN TUBE (V+)

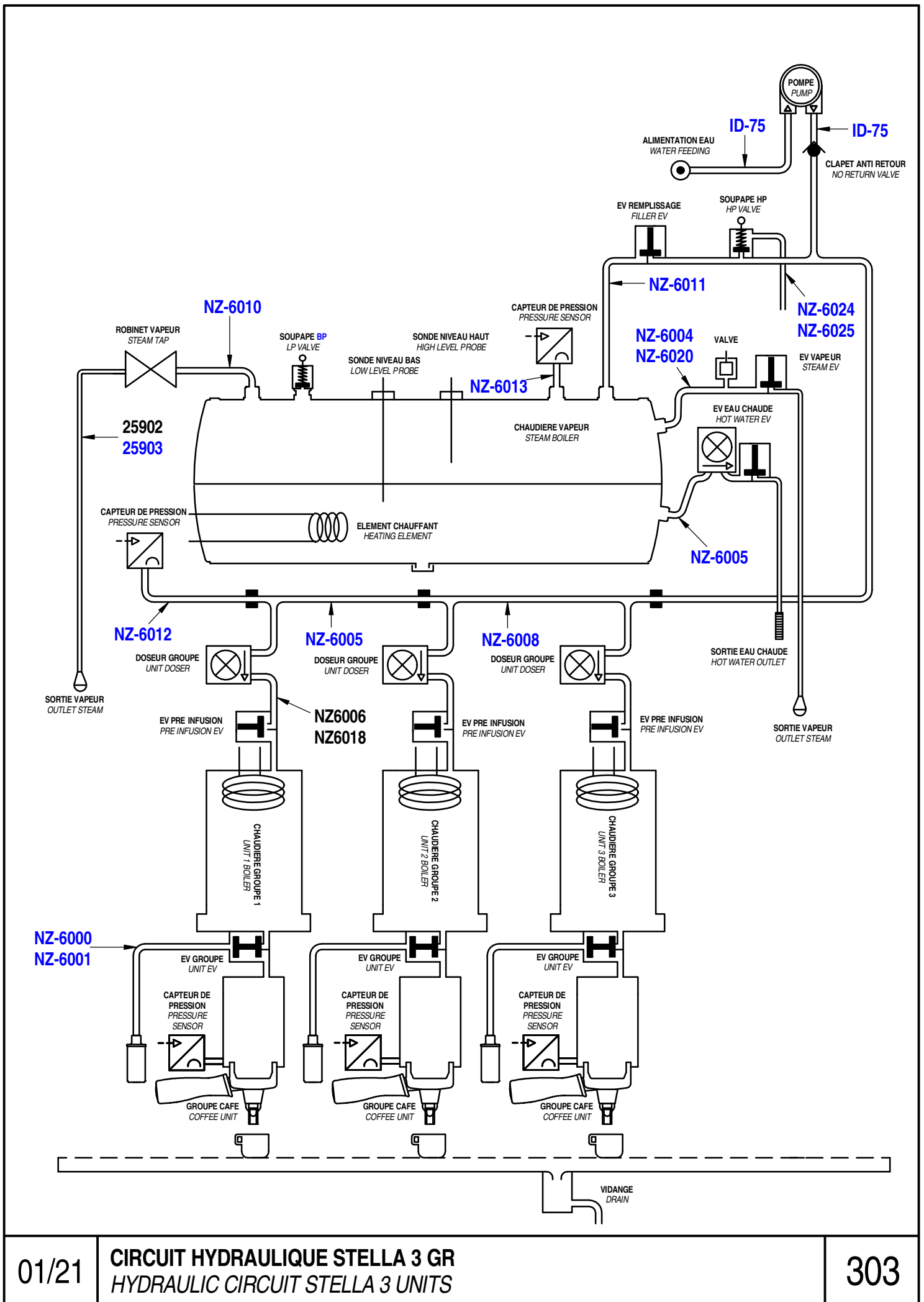
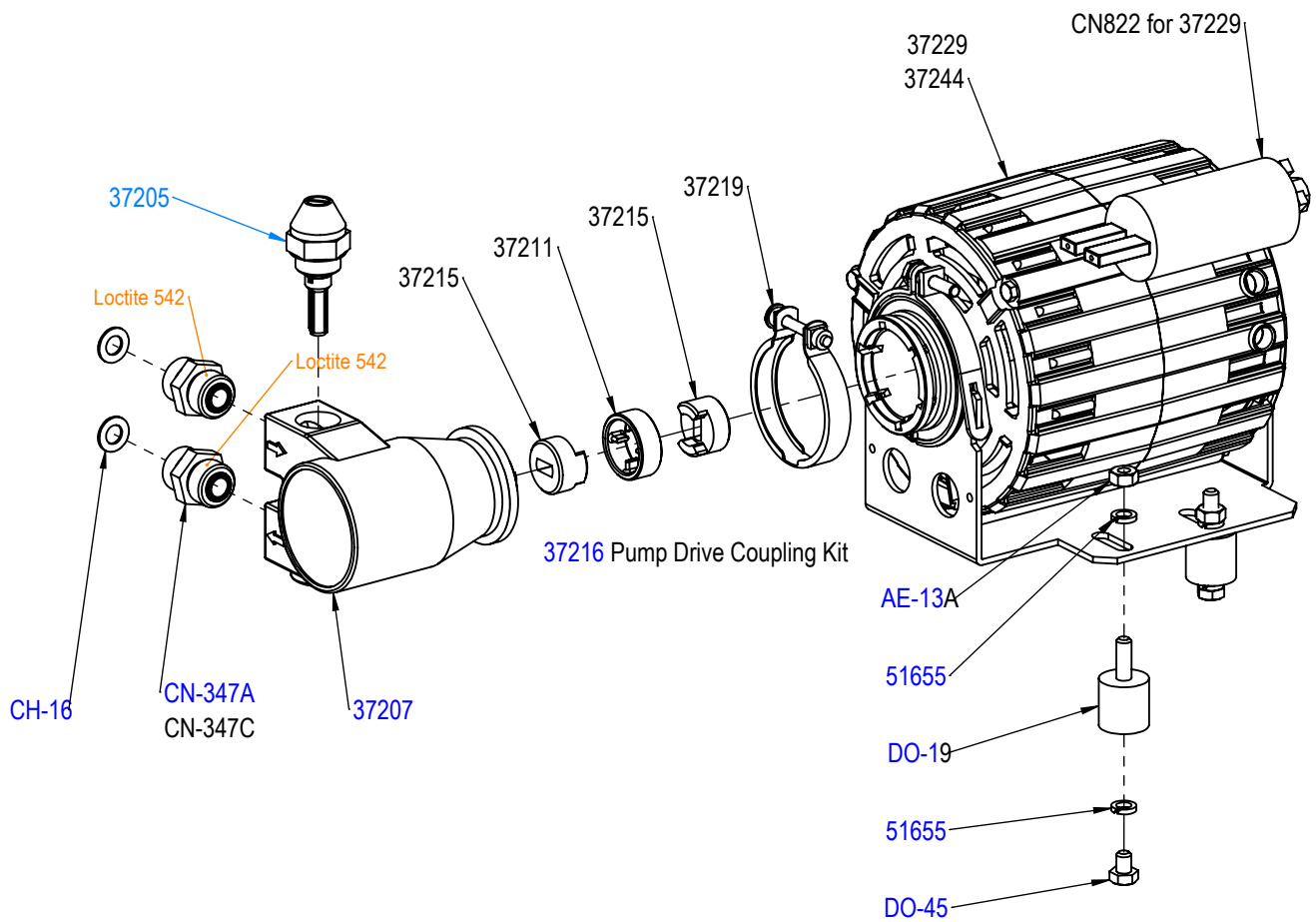
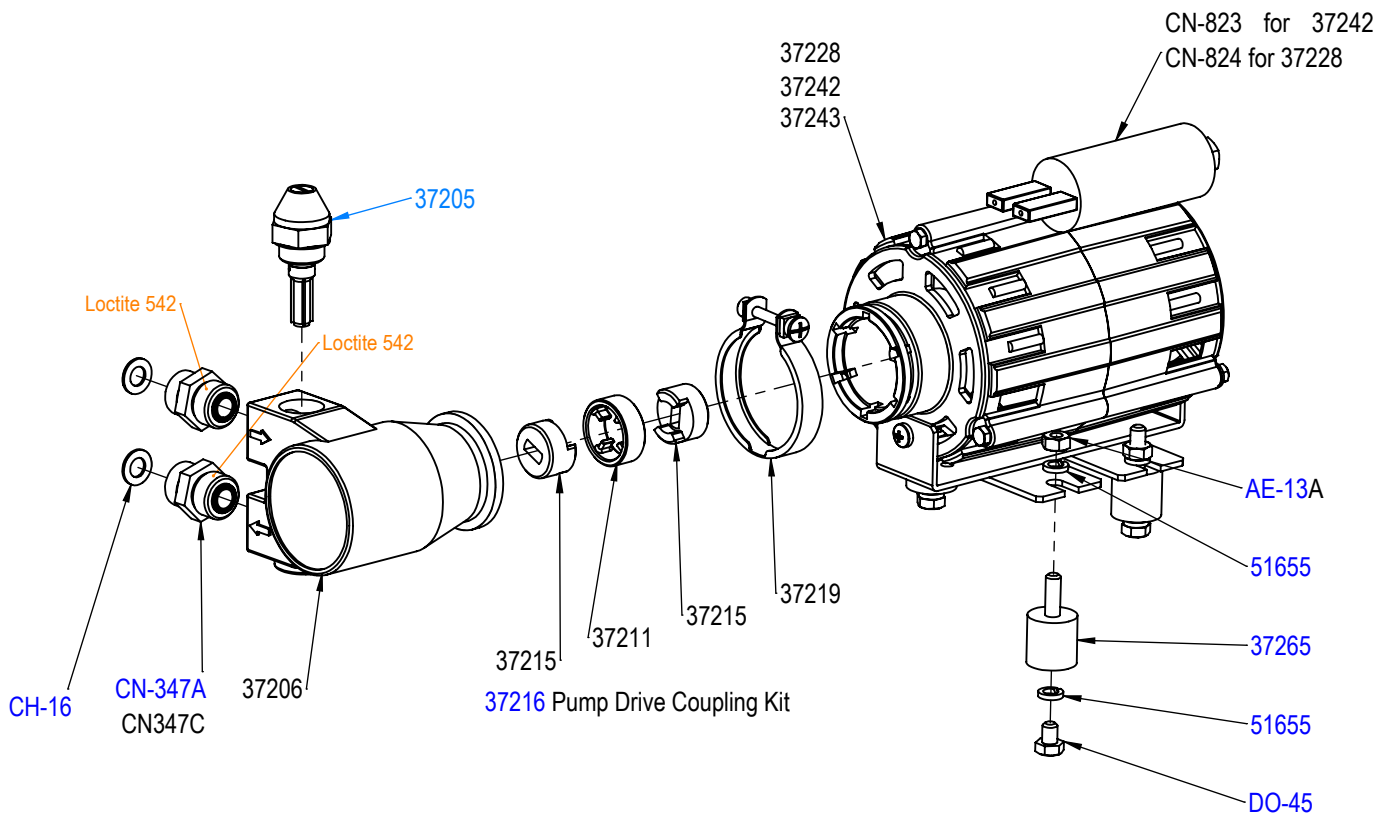


PLANCHE - PLATE 304

REF	ELUX	DESIGNATIONS FR	DESIGNATIONS GB
25902		SORTIE VAPEUR STELLA INOX	STELLA S.STEEL STEAM OUTLET
25903	0UN424	SORTIE VAPEUR INOX V+	V+ STAINLESS STEEL STEAM OUTLET
ID-75	0UN347	TUBE FLEXIBLE COUDE ARME INOX	FLEXIBLE PIPE
NZ-6000		TUBE DECOMPRESSION	DECOMPRESSION PIPE
NZ-6001		TUBE DECOMPRESSION V+	DECOMPRESSION V+ PIPE
NZ-6004		TUBE EV VAPEUR DROIT	RIGHT STEAM EV PIPE
NZ-6005		TUBE EV EAU CHAUDE	HOT WATER EV PIPE
NZ-6006		TUBE ALIMENTATION GROUPE	UNIT FEEDING PIPE
NZ-6007		RAMPE DOSEUR EAU	WATER DOSER PIPE
NZ-6008		RAMPE DOSEUR ET ENTREE EAU	WATER FEEDING & DOSER PIPE
NZ-6010		TUBE ROBINET VAPEUR GAUCHE	LEFT STEAM TAP PIPE
NZ-6011		TUBE REMPLISSAGE CHAUDIERE	BOILER FEEDING PIPE
NZ-6012		TUBE CAPTEUR RESEAU	NETWORK SENSOR PIPE
NZ-6013		TUBE CAPTEUR VAPEUR	STEAM SENSOR PIPE
NZ-6018		TUBE ALIM. GROUPE PRE INFUSION	PRE BREWING UNIT FEEDING PIPE
NZ-6020		TUBE ROBINET VAPEUR DROIT	RIGHT STEAM TAP PIPE
NZ-6024		TUBE RILSAN SOUPLE SOUPAPE HP	HP VALVE FLEXIBLE DRAIN TUBE
NZ-6025		TUBE RILSAN SOUPLE SOUPAPE HP (V+)	HP VALVE FLEXIBLE DRAIN TUBE (V+)

PLANCHE - PLATE 320

REF	ELUX	DESIGNATIONS FR	DESIGNATIONS GB
37205	0UN899	BY PASS POUR POMPE FLUIDOTECH	BY PASS FOR FLUIDOTECH PUMP
37206	0UN382	POMPE ROTATIVE 100L/H SANS PLOMB	UNLEADED PUMP 100L/H
37207	0UN056	POMPE ROTATIVE 200L/H SANS PLOMB	UNLEADED PUMP 200L/H
37217		ENTRETOISE POUR ACCOUP. MOTEUR-POMPE	SPACER 48 YZ
37218		ACCOUPLLEMENT MALE/FEMELLE MOTEUR-POMPE	ACCOUPLLEMENT MALE/FEMALE
37219		COLLIER POUR POMPE FLUIDOTECH	CLAMP
37222		KIT ACCOUPLEMENT MOTEUR POMPE	GANGING RING KIT
37228		MOTEUR POMPE 120W 220-230V 50-60Hz UL	PUMP MOTOR 120W 220-230V 50-60Hz UL
37229		MOTEUR POMPE 165W 220-230V 50-60Hz UL	PUMP MOTOR 165W 220-230V 50-60Hz UL
37242		MOTEUR POMPE 120W 110V 60Hz - UL	PUMP MOTOR 120W 110V 60Hz - UL
37243		MOTEUR POMPE 120W 220-230V 50-60Hz	PUMP MOTOR 120W 220-230V 50-60Hz
37244		MOTEUR POMPE 165W 220-230V 50-60Hz	PUMP MOTOR 165W 220-230V 50-60Hz
51655	0UNA5W	RONDELLE GROWER DE 6	WASHER 6
AE-13A	0UNA42	ECROU INOX Hu 6-100	NUT M6
CH-16	0UN177	JOINT CUIVRE RECUIT 3/8	WASHER - COPPER - 3/8
CN-347A	0UN558	RACCORD D'ALIM. 3/8 - 3/8 MM	FITTING - 3/8 X 3/8 -
CN-347C		RACCORD D'ALIM 3/8 3/8	FITTING 3/8 3/8
CN-822		CONDENSATEUR UL RPM POUR 37229	UL CAPACITOR
CN-823		CONDENSATEUR UL RPM POUR 37242	UL CAPACITOR
CN-824		CONDENSATEUR UL RPM POUR 37228	UL CAPACITOR
DO-19	0UN687	PLOT APB 20-20	SILENTBLOC
DO-45		VIS ACIER ZN TH 6 X 8	SCREW 6 X 8



VERSION 2

PLANCHE - PLATE 330

REF	ELUX	DESIGNATIONS FR	DESIGNATIONS GB
23751	0UN088	AXE DE BANJO 1/8	BANJO SCREW
25400	0UN124	FILTRE INOX	FILTER
28134	0UN146	JOINT TORIQUE 2X9,5 FKM 80SH	GASKET 2X9,5
CN-347A	0UN558	RACCORD D'ALIM. 3/8 - 3/8 MM	FITTING - 3/8 X 3/8 -
CN-631R	0UN029	EV 2V REGL. 24V-50/60Hz	ELECTROVALVE 2W ADJ. 24V-50/60Hz
CN-663	0UN058	CLAPET ANTI RETOUR COMPACT	VALVE - NON-RETURN
DO-187	0UN767	CORPS DE SOUPE	VALVE BODY
DO-188	0UN768	TIGE DE SOUPE	VALVE PISTON
DO-189	0UN557	ECROU DE SOUPE	VALVE NUT
DO-190	0UN860	CONTRE ECROU M18 X 100	NUT M18 X 100
DO-191	0UN136	SOUPE H.P. COMPLETE	COMPLET H.P. VALVE
DO-74	0UN416	RACCORD SOUPE HP	H.P VALVE CONNECTION
MI-36	0UN422	RACCORD 1/8M 1/8M	CONNECTION 1/8
NZ-1002		NOURRICE ALIMENTATION EAU	WATER FEEDING UNIT
NZ-4018		RACCORD NOURRICE	LEADER FITTING
NZ-6024		TUBE RILSAN SOUPLE SOUPE HP	HP VALVE FLEXIBLE DRAIN TUBE
NZ-6025		TUBE RILSAN SOUPLE SOUPE HP (V+)	HP VALVE FLEXIBLE DRAIN TUBE (V+)
PB-21	0UN488	ECROU 3/8 LAITON	FITTING 3/8
PC-14	0UN510	BILLE INOX POLIE DE 11	STAINLESS STEEL BALL DIA 11
PH-83	0UN302	JOINT TORIQUE 2,62X9,19 PTFE	O RING 9,19 X 2,62 PTFE
R-100	0UN228	RACCORD LAITON	FITTING
RO-14	0UN446	RESSORT F20/10L26.5 D13 P5	SPRING

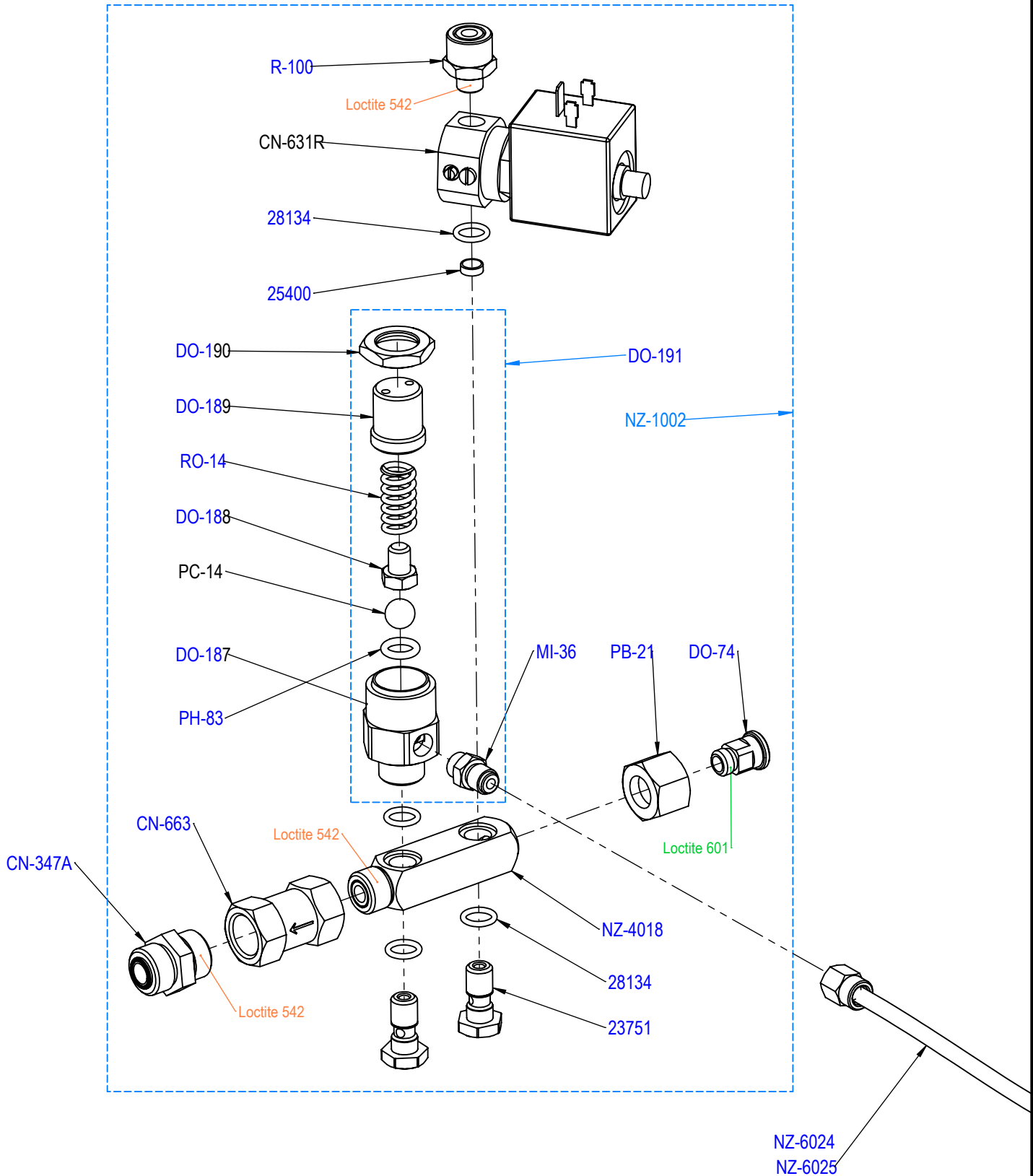


PLANCHE - PLATE 331

REF	ELUX	DESIGNATIONS FR	DESIGNATIONS GB
23760	0UN291	AXE BANJO 1/4	BANJO SCREW 1/4
23761	0UN474	CORPS DE BANJO 1/4	BANJO BODY 1/4
35532		ELECTROVANNE 2V 24V N.O Ø2	ELECTROVALVE 2W 24V OPEN
36510MPS	0UN063	CAPTEUR DE PRESSION 0-16b SENSATA	0-16b PRESSURE SENSOR
CH-16	0UN177	JOINT CUIVRE RECUIT 3/8	WASHER - COPPER - 3/8
CN-441A	0UN465	RACCORD 1/4M-3/8M	FITTING 1/4 3/8
CN-618	0UN181	JOINT CUIVRE 1/4	GASKET - 1/4
CN-648	0UN109	COMPTEUR VOLUMETRIQUE	WHOLE W.DOSING DEVICE
DV-172	0UN500	JOINT PLAT 11.4 X 7.5 X 1.9	GASKET
DV-44	0UN188	VIS TH M4X10 ACIER	SCREW M4x10
NZ-1002		NOURRICE ALIMENTATION EAU	WATER FEEDING UNIT
NZ-6007		RAMPE DOSEUR EAU	WATER DOSER PIPE
NZ-6008		RAMPE DOSEUR ET ENTREE EAU	WATER FEEDING & DOSER PIPE
NZ-6012		TUBE CAPTEUR RESEAU	NETWORK SENSOR PIPE
PA-96		JOINT TORIQUE 1,78X12,42 EPDM	GASKET 1.78 X 12.42

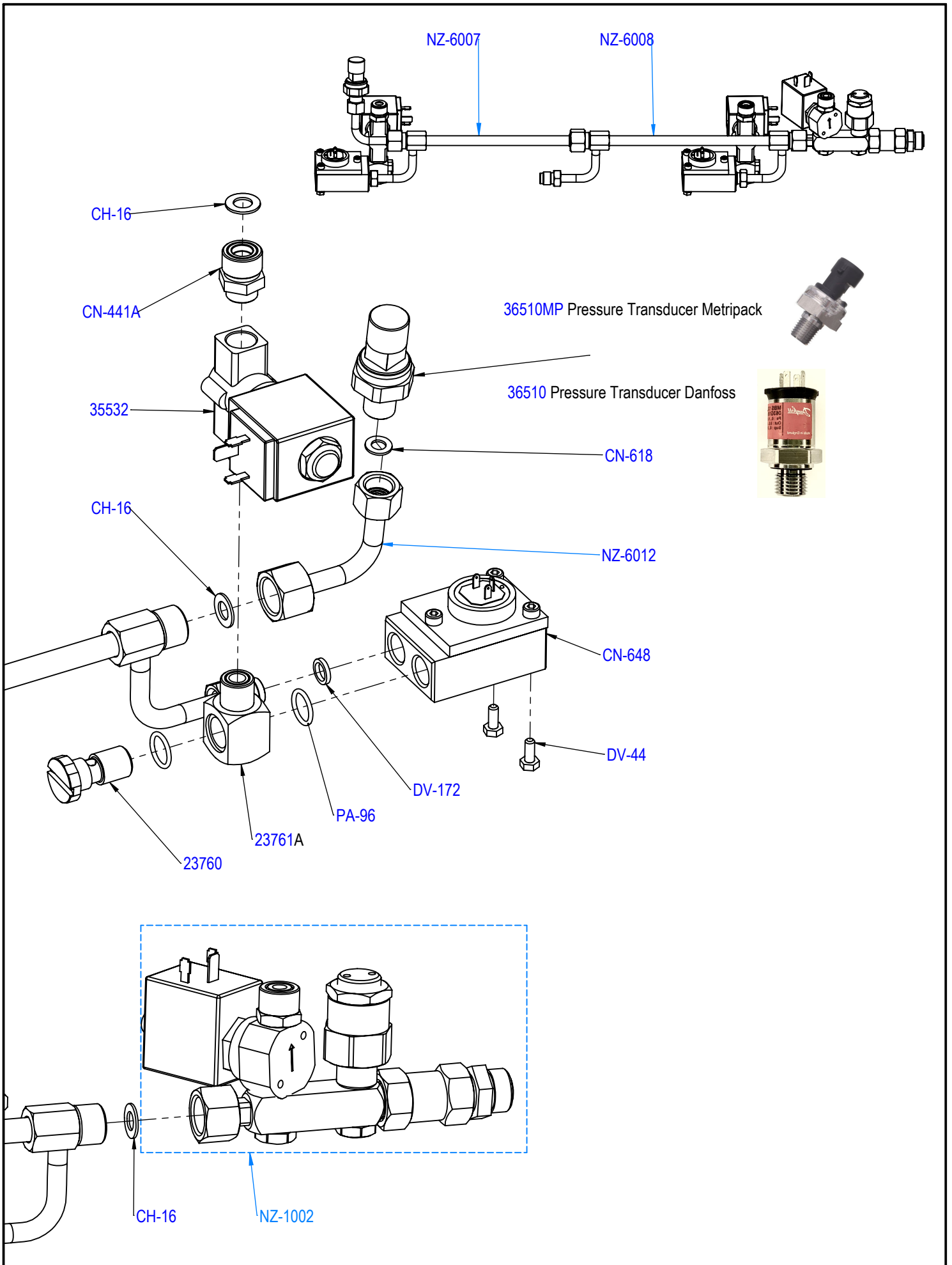


PLANCHE - PLATE 340

REF	ELUX	DESIGNATIONS FR	DESIGNATIONS GB
12747	0UN405	TUBE SILICONE SOUPLE 4 - 7	FLEXIBLE SILICONE PIPE 4 - 7
26502	0UN966	ENSEMBLE NIVEAU SONDE 3/8	LEVEL PROBE 3/8 SET
26510	0UN570	SONDE DE NIVEAU L=130	LEVEL PROBE
26515		SONDE DE NIVEAU L=150	LEVEL PROBE
27200	0UN155	SOUPAPE VAPEUR BP 3,5 BARS	LP VALVE 3.5 BARS
29042		CHAUDIERE VAPEUR 2GR	STEAM BOILER 2 UNITS
29043		CHAUDIERE VAPEUR 3GR	STEAM BOILER 3 UNITS
29044		CHAUDIERE VAPEUR 4GR	STEAM BOILER 4 UNITS
29813		ELEMENT CHAUFFANT 230V 6555W	HEATING ELEMENT 230V 6555W
29815	0UN331	CACHE RESISTANCE	INSULATOR BOOT
36510MPS	0UN063	CAPTEUR DE PRESSION 0-16b SENSATA	0-16b PRESSURE SENSOR
CF-199	0UN263	RONDELLE ACIER ZN 8x22x1,5	STEEL WASHER 8x22x1,5
CH-10		ECROU BORGNE 3/8	CAP NUT 3/8
CH-16	0UN177	JOINT CUIVRE RECUIT 3/8	WASHER - COPPER - 3/8
CN-670	0UN185	SONDE NIVEAU BAS INOX L=130	LEVEL PROBE L=130
CV-20	0UN090	JOINT TORIQUE 3,53X66,68 FKM	GASKET - 66.68 x 3.53
CV3	0UN964	VIS TH M8 x 20 INOX	S.STEEL SCREW M8 x 20
NA-69A	0UNA08	PORTE SONDE EN LAITON	PROBE HOLDER CONNECTION
NA-70	0UN197	BLOCAGE ELECTRODE NIVEAU AUTO	LEVEL PROBE COMPRESSION NUT
NA-71	0UN198	PORTE-ELECTRODE EN TEFLON	LEVEL PROBE INSULATION
NZ-6011		TUBE REMPLISSAGE CHAUDIERE	BOILER FEEDING PIPE
NZ-6013		TUBE CAPTEUR VAPEUR	STEAM SENSOR PIPE
PA96		JOINT TORIQUE 1,78X12,42 EPDM	GASKET 1.78 X 12.42
RR83	0UN592	RONDELLE GROVER DE 8	WASHER 8
TG-7022		PROTECTION SOUPAPE	VALVE PROTECTION
TG-7023		COUVERCLE PROTECTION SOUPAPE	COVER VALVE PROTECTION

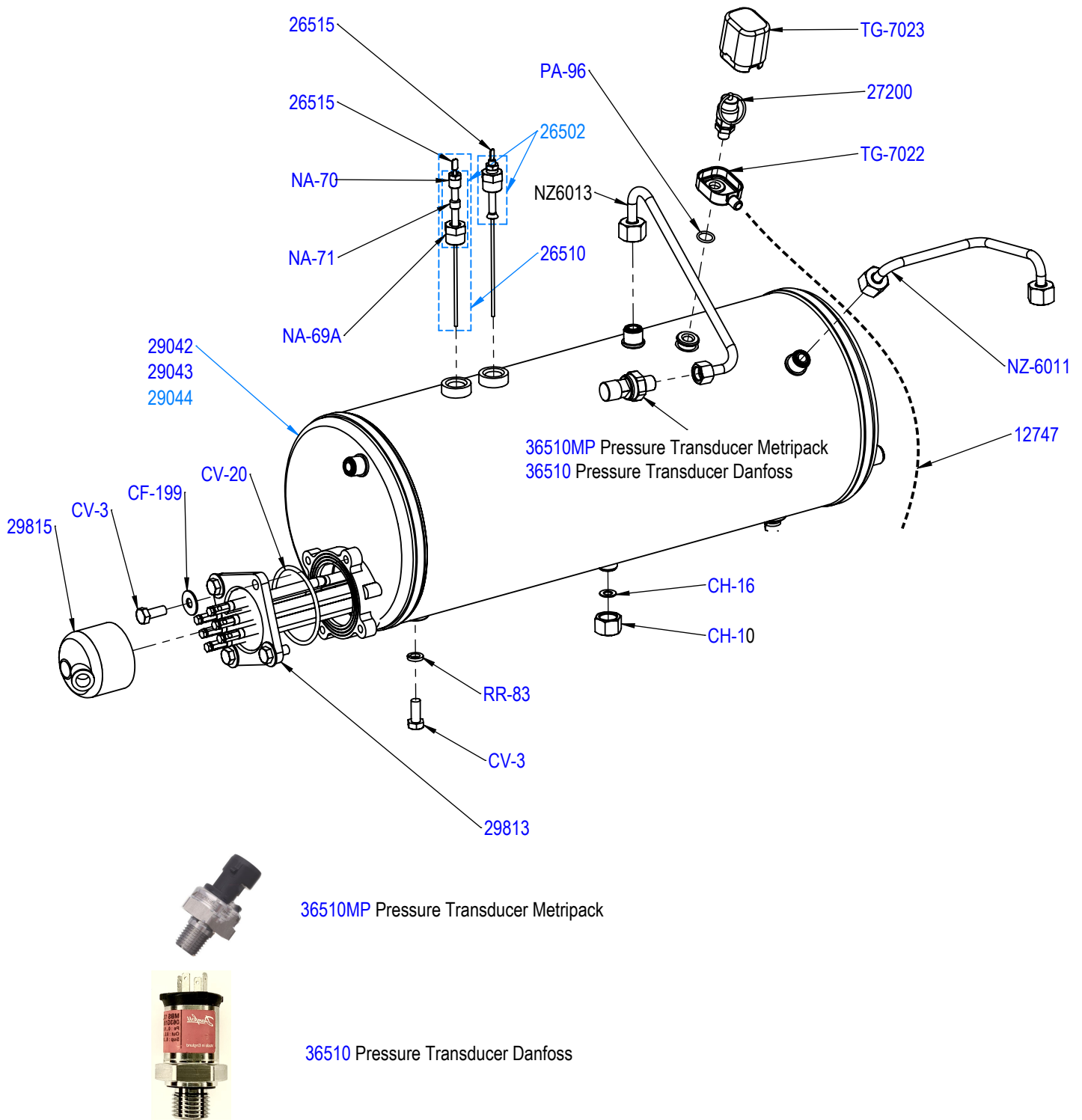


PLANCHE - PLATE 342

REF	ELUX	DESIGNATIONS FR	DESIGNATIONS GB
20964	0UN467	RACCORD 3/8M 1/2F	CONNECTION 3/8M 1/2F
21103	0UN390	BOUCHON 1/4	PLUG 1/4
27716	0UN236	JOINT TORIQUE 1,78 X 17.17 FKM	GASKET 1,78 X 17.17
28000		JOINT TORIQUE 5,34X78,74	O RING 5,34X78,74
29040		TUBE CHAUDIERE Ø95	BOILER TUBE Ø95
29805		ELEMENT CHAUFFANT 230V 2000W	HEATING ELEMENT 230V-2000W
34200		THERMOSTAT DE SECURITE 135°C	SAFETY THERMOSTAT 135°C
85205		ISOLANT CHAUDIERE	BOILER INSULATOR
CH-17	0UN972	JOINT CUIVRE RECUIT 1/2	WASHER - COPPER - 1/2
DV-4000		TUBE TEFLON ALIM. GROUPE L:72	UNIT FEEDING TUBE
NZ-1025		KIT PRE INFUSION EVP	PRE BREWING EVP KIT
NZ-1026		KIT PRE INFUSION EVP + C PRESS	PRE BREWING EVP + SENSOR KIT
NZ-2000		SUPPORT AR CHAUDIERE	BOILER SUPPORT
NZ-4001		CORPS DE GROUPE	UNIT BODY
NZ-4003		COLONNETTE CHAUDIERE	BOILER SCREW
NZ-6006		TUBE ALIMENTATION GROUPE	UNIT FEEDING PIPE
PE-12	0UN430	ECROU M8	NUT M8
RR-83	0UN592	RONDELLE GROVER DE 8	WASHER 8

NZ-1025 Kit pré-infusion EVP
Pre-infusion EV kit

NZ-1026 Kit pré-infusion EVP + CPRES
Pre-infusion EV + sensor kit

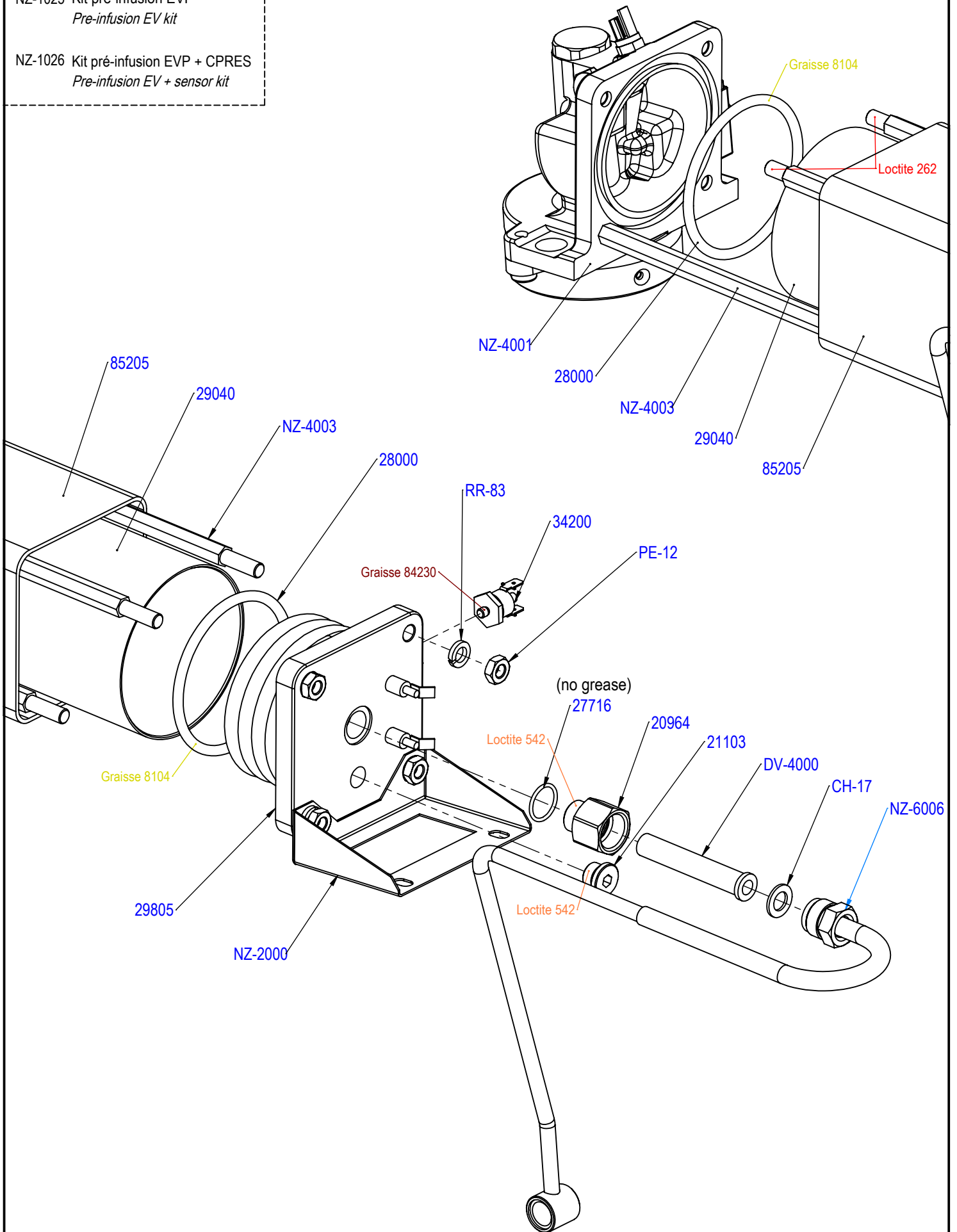
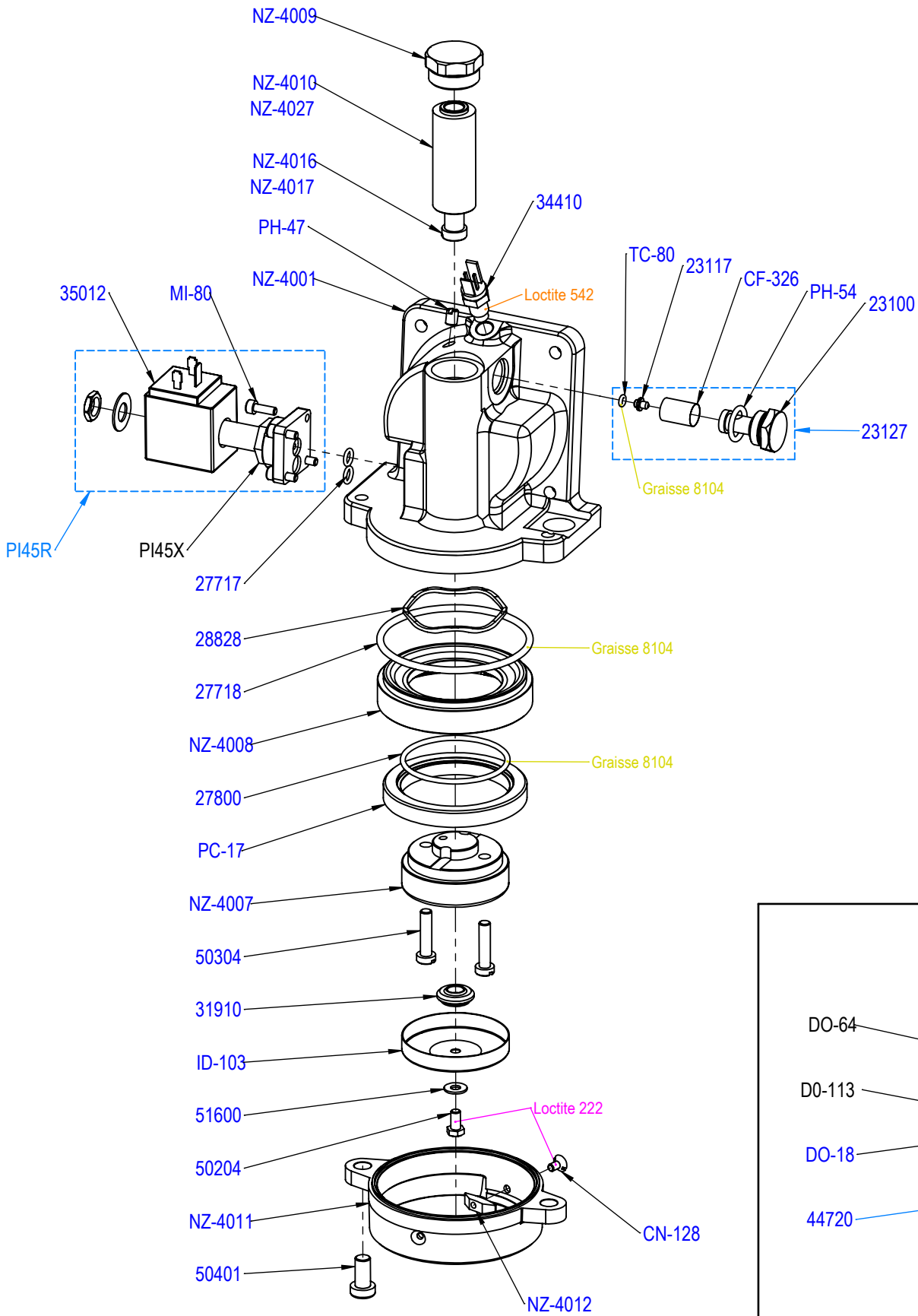


PLANCHE - PLATE 346

REF	ELUX	DESIGNATIONS FR	DESIGNATIONS GB
23100		PORTE GICLEUR	GICLUER HOLDER
23117	0UN134	GICLEUR DIAM:0,7	JET DIAM. 0.7
23127	0UN131	KIT PORTE GICLEUR Ø0.7	GICLUER Ø 0.7 KIT
27717		JOINT TORIQUE 1,78 X 6,07	GASKET 1.78 X 6.07
27718	0UN091	JOINT PISTON MOBILE 3.53 X 74.61	O RING 3.53 X 74.61
27800	0UN122	JOINT TORIQUE 2.62 X 52.07 NBR	GASKET 2.62 X 52.07
28828	0UN050	RONDELLE RESSORT Ø54	RONDELLE RESSORT Ø54
31200		GR. INJECTION PISTON MOBILE 24V 50 Hz	COMPLET INJECTION GROUP 24V 50Hz
31210		GR. INJECTION PISTON MOBILE 24V 50 Hz AVEC EH	COMPLET INJECTION GROUP 24V 50Hz WITH EH
31910		RONDELLE DIFFUSEUR GROUPE	WASHER DIFFUSER
34410	0UN117	SONDE THERMOSTATIQUE	THERMOSTATIC PROBE
35012	0UN003	BOBINE 24V	SOLENOID COIL 24V
44720	0UN138	CAPTEUR DE COUPE COMPLET	FILTER HOLDER SENSOR KIT
50204	0UN982	VIS TH M5 x 10 INOX	SCREW M5 X 10
50304		VIS TC M6X25 INOX	S.STEEL SCREW M6X25
50401		VIS TCHC TETE BASSE M8X16 INOX	S.STEEL SCREW M8 X 16
51600		RONDELLE INOX MOYENNE DE 5	WASHER
CF326		FILTRE INOX D.int=12 H=17,5	FILTER D:12 H:17,5
CN-128	0UNA7E	VIS INOX TF M4 X 8	SCREW M4 X 8
DO-113		JOINT CONNECTEUR	GASKET CONNECTOR
DO-18		VIS ACIER ZN PT WN 22 X 10	SENSOR-HOLDER SCREW
DO-64		CONNECTEUR POUR CAPTEUR COUPE	SENSOR CONNECTOR
ID-103	0UN104	FILTRE TASSOIR	PACKER FILTER
MI-80	0UN944	VIS TCHC M4x12 INOX	SCREW M4 X 12
NZ-1022		GROUPE STELLA COMPLET	COMPLET STELLA GROUP
NZ-1023		GROUPE STELLA COMPLET AVEC EH	COMPLET STELLA GROUP WITH EH
NZ-4007		TASSOIR MONOGROUPE	SINGLE GROUP COMPACTOR
NZ-4008		PISTON MONOGROUPE	SINGLE GROUP PISTON
NZ-4010		ENTRETOISE POUMON	CHAMBER SPACER
NZ-4011		PORTE COUPE BUTEE	BOWL HOLDER
NZ-4012		BUTEE DE COUPE	FILTER HOLDER STOP
NZ-4016		VIS POUMON GR STELLA	CHAMBER SCREW
NZ-4017		VIS POUMON LONGUE	LONG CHAMBER SCREW
NZ-4027		ENTRETOISE POUMON LONGUE	LONG CHAMBER SPACER
NZ-409		RACCORD MANO DC	MANOMETER CONNEXION
PC-17	0UN128	JOINT DE COUPE 57 x 75 x 9	HEAD GASKET 9mm
PH-47		VIS ST M6x8 LAITON	SCREW M6 X 8
PH-54	0UN133	JOINT TORIQUE 2,62X13,95 EPDM	O RING - 13.95 x 2.62
PI45R	0UN334	ELECTROVANNE 3V 24V-50/60Hz	ELECTROVALVE 3W 24V-50/60Hz
PI-45X	0UN203	ELECTROV. 3V SANS BOBINE	ELECTOVALVE 3W WITHOUT COIL



KITS REFERENCES:
31200 / 31210
NZ-1022 / NZ-1023

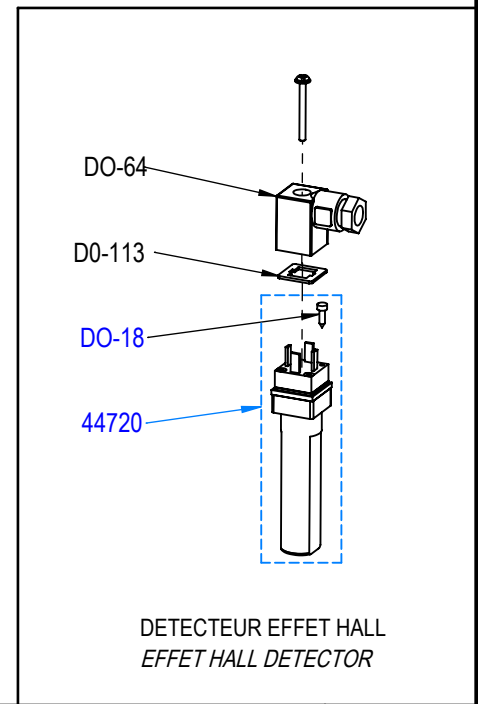


PLANCHE - PLATE 494

REF	ELUX	DESIGNATIONS FR	DESIGNATIONS GB
33041	0UN143	PORTE AIMANT 1 T COMPLET	1 CUP MAGNET HOLDER
33042	0UN142	PORTE AIMANT 2 T COMPLET	2 CUPS MAGNET HOLDER
33103		COUPE NUE POUR CAPTEUR	FILTER HOLDER BODY WITH SENSOR
33106		BOUCHON POIGNEE DE COUPE	TAP FOR HANDLE
33146		POIGNEE DE COUPE	HANDLE
33147		AXE POIGNEE DE COUPE	AXLE FOR HANDLE
33161		COUPE COMPLETE 1T AVEC CAPTEUR	1 CUP FILT. HOLDER WITH SENSOR
33162		COUPE COMPLETE 2T AVEC CAPTEUR	2 CUP FILT. HOLDER WITH SENSOR
33381	0UN965	BEC 1 T CHROME	1 CUP SPOUT
33382		BEC 2T CHROME	2 CUPS SPOUT
33384	0UN514	OBTURATEUR BEC 1T	1 CUP OBTURATOR
33385		OBTURATEUR BEC 2T	2 CUPS OBTURATOR
33420		FILTRE 1 TASSE	1 CUP FILTER
33424		FILTRE 2 TASSES PENTAGONAL	2 CUPS FILTER
CF-199	0UN263	RONDELLE ACIER ZN 8x22x1,5	STEEL WASHER 8x22x1,5
DO-195	0UNA1L	VIS ACIER INOX TC 4 X 12	SCREW M4 X 12
DO-2		PORTE AIMANT	MAGNET HOLDER
DO-54	0UNA1A	AIMANT DIAM 3 L:10mm	MAGNET DIA:3 L:10mm
DO-95		JOINT PORTE-AIMANTS	MAGNET HOLDER JOINT
PA-85A		RESSORT DE COUPE DIAM:1.3	FILTER SPRING DIAM:1.3
PA-85B		FILTER SPRING DIAM:1.2	FILTER SPRING DIAM:1.2
PE-12	0UN430	ECROU M8	NUT M8
RR-83	0UN592	RONDELLE GROVER DE 8	WASHER 8

Disposition du sens des aimants DO-54 *Layout*
direction of the magnets DO-54

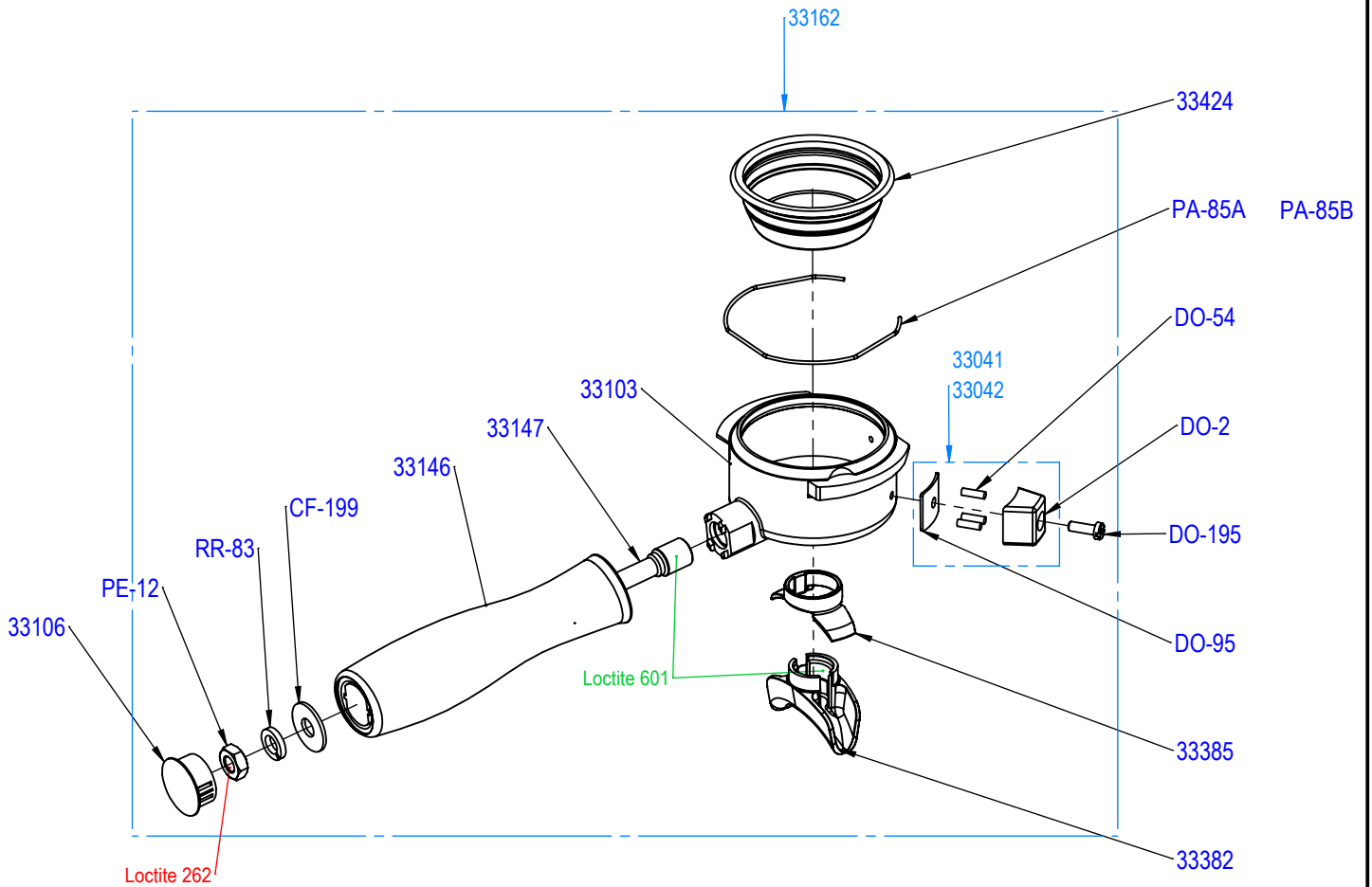
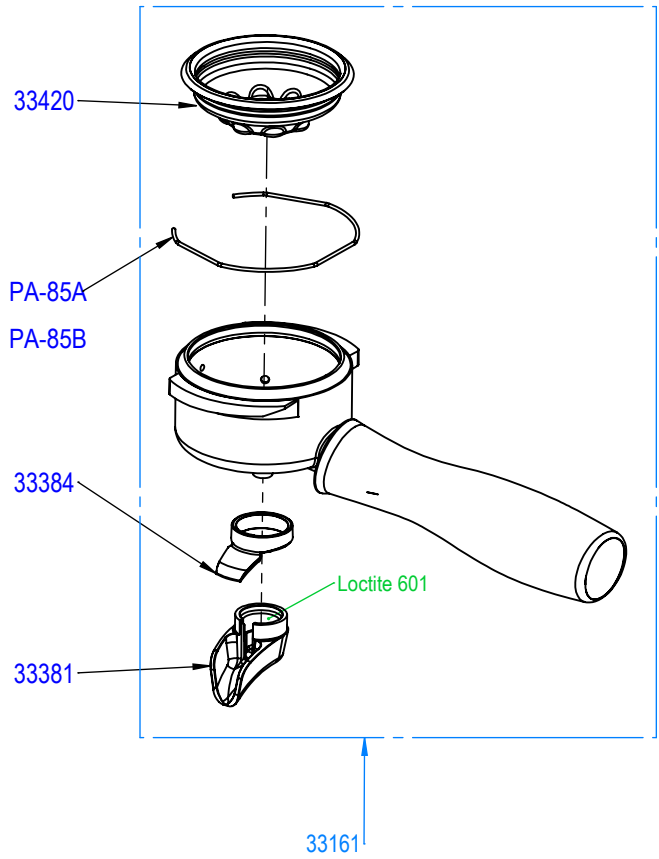
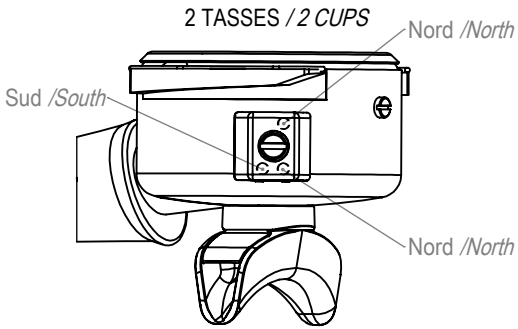
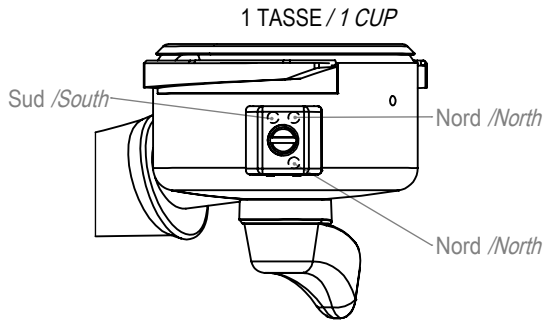


PLANCHE - PLATE 497

REF	ELUX	DESIGNATIONS FR	DESIGNATIONS GB
33007		KIT PORTE AIMANT RFID 1T	1 CUP KIT RFID MAGNET HOLDER
33008		KIT PORTE AIMANT RFID 2T	2 CUP KIT RFID MAGNET HOLDER
33015		SUPPORT AIMANTS RFID	MAGNET HOLDER RFID
33016		JOINT POUR SUPPORT AIMANTS RFID	GASKET
33017		CHIP RFID 1 TASSE	1 CUP CHIP RFID
33018		CHIP RFID 2 TASSES	2 CUPS CHIP RFID
33103		COUPE NUE POUR CAPTEUR	FILTER HOLDER BODY WITH SENSOR
33106		BOUCHON POIGNEE DE COUPE	TAP FOR HANDLE
33146		POIGNEE DE COUPE	HANDLE
33147		AXE POIGNEE DE COUPE	AXLE FOR HANDLE
33171		COUPE COMPLETE 1T AVEC RFID	1 CUP FILT. HOLDER WITH RFID
33172		COUPE COMPLETE 2T AVEC RFID	2 CUP FILT. HOLDER WITH RFID
33381	0UN965	BEC 1 T CHROME	1 CUP SPOUT
33382		BEC 2T CHROME	2 CUPS SPOUT
33384	0UN514	OBTURATEUR BEC 1T	1 CUP OBTURATOR
33385		OBTURATEUR BEC 2T	2 CUPS OBTURATOR
33420		FILTRE 1 TASSE	1 CUP FILTER
33424		FILTRE 2 TASSES PENTAGONAL	2 CUPS FILTER
CF-199	0UN263	RONDELLE ACIER ZN 8x22x1,5	STEEL WASHER 8x22x1,5
DO-195	0UNA1L	VIS ACIER INOX TC 4 X 12	SCREW M4 X 12
DO-54	0UNA1A	AIMANT DIAM 3 L:10mm	MAGNET DIA:3 L:10mm
PA-85A		RESSORT DE COUPE DIAM:1.3	FILTER SPRING DIAM:1.3
PE-12	0UN430	ECROU M8	NUT M8
RR-83	0UN592	RONDELLE GROVER DE 8	WASHER 8
PA-85B		Filter Spring 1.2mm	

Disposition du sens des aimants DO54
 Layout direction of the magnets **DO-54**

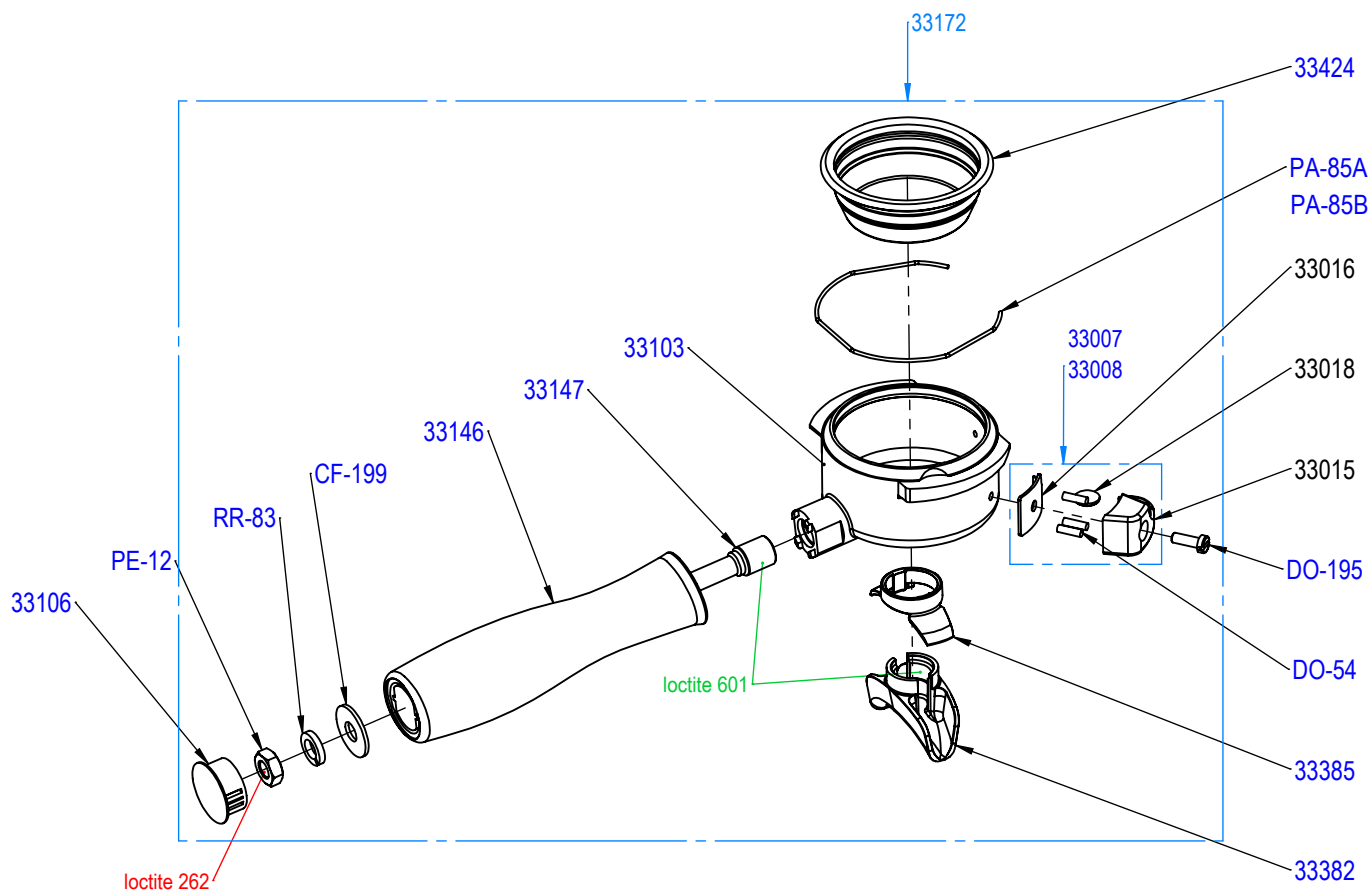
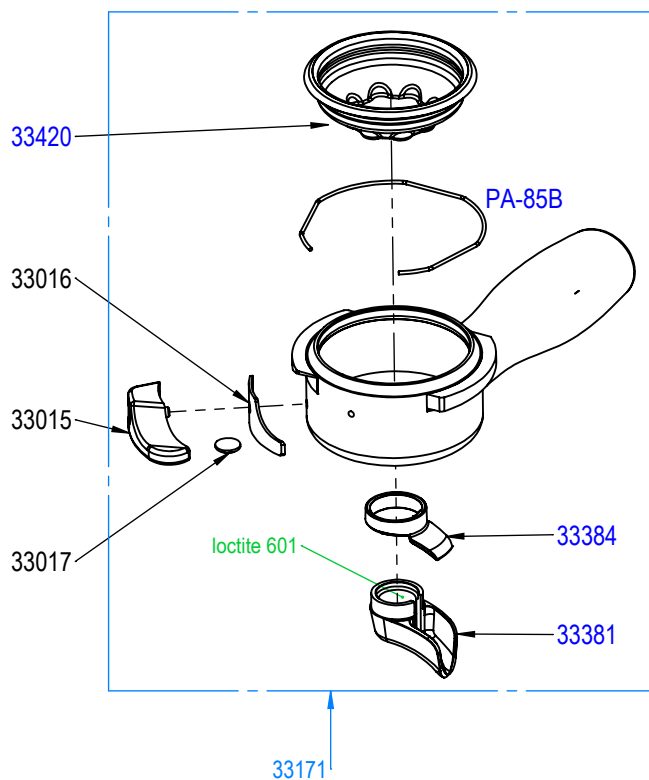
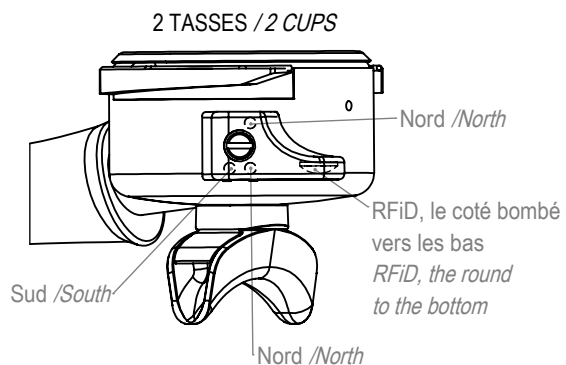
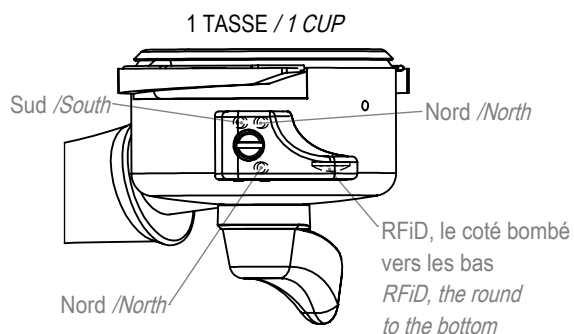


PLANCHE - PLATE 498

REF	ELUX	DESIGNATIONS FR	DESIGNATIONS GB
33102		COUPE NUE	<i>FILTER HOLDER BODY</i>
33106		BOUCHON POIGNEE DE COUPE	<i>TAP FOR HANDLE</i>
33146		POIGNEE DE COUPE	<i>HANDLE</i>
33147		AXE POIGNEE DE COUPE	<i>AXLE FOR HANDLE</i>
33181		COUPE COMPLETE 1T	<i>1 CUP FILTER HOLDER</i>
33182		COUPE COMPLETE 2T	<i>2 CUPS FILTER HOLDER</i>
33381	0UN965	BEC 1 T CHROME	<i>1 CUP SPOUT</i>
33382		BEC 2T CHROME	<i>2 CUPS SPOUT</i>
33384	0UN514	OBTURATEUR BEC 1T	<i>1 CUP OBTURATOR</i>
33385		OBTURATEUR BEC 2T	<i>2 CUPS OBTURATOR</i>
33420		FILTRE 1 TASSE	<i>1 CUP FILTER</i>
33424		FILTRE 2 TASSES PENTAGONAL	<i>2 CUPS FILTER</i>
C-16	0UNA5S	RONDELLE ACIER NICKLE M8	<i>WASHER 8</i>
PA-85A		RESSORT DE COUPE DIAM:1.3	<i>FILTER SPRING DIAM:1.3</i>
PE-12	0UN430	ECROU M8	<i>NUT M8</i>
RR-83	0UN592	RONDELLE GROVER DE 8	<i>WASHER 8</i>

PA-85B Filter Spring 1.2mm

 Loctite 601

 Loctite 262

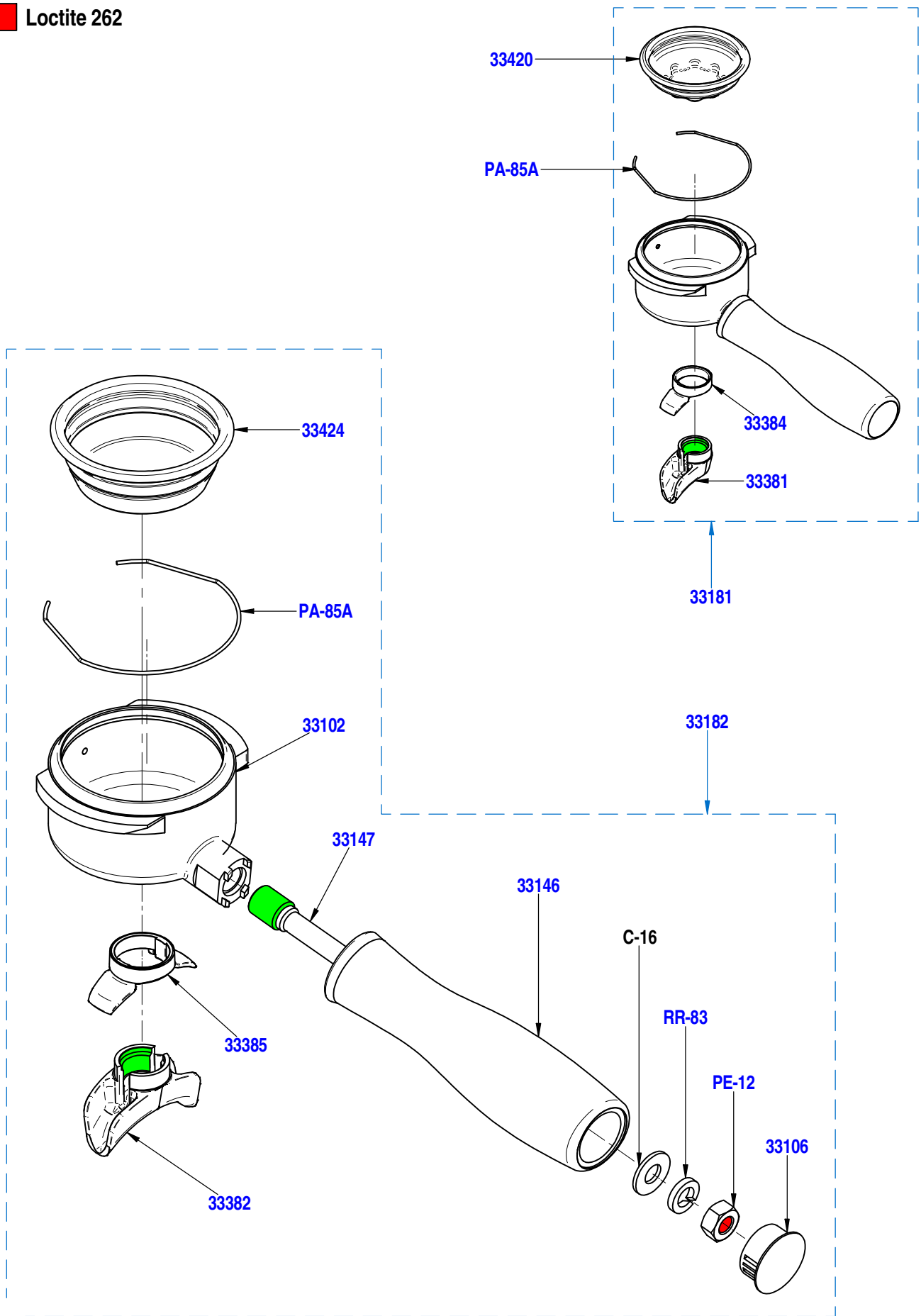


PLANCHE - PLATE 500

REF	ELUX	DESIGNATIONS FR	DESIGNATIONS GB
43211	0UN303	DISJONCTEUR	CIRCUIT BREAKER
44410	0UN169	RELAIS STATIQUE 25A	SOLID STATE RELAY 25A
44703		FILTRE ANTIPARASITE RC	RC FILTER
44714	0UN515	PRISE USB	USB JACK
50113	0UNA10	COLONNETTE M-F M4X13	SPACER M-F M4X13
53402	0UNA1C	BOUCHON PRISE USB	CAP FOR USB A JACK
44709S		Clé USB programmée STELLA	Programmed USB key
CN-128	0UNA7E	VIS INOX TF M4 X 8	SCREW M4 X 8
CN-343	0UNA3M	RONDELLE EVENTAIL 4	WASHER 4
DO-195	0UNA1L	VIS ACIER INOX TC 4 X 12	SCREW M4 X 12
NZ-1042		SOUS ENSEMBLE RELAIS STATIQUE 2GR	2 UNITS STATIC RELAY SUBASSEMBLY
NZ-1043		SOUS ENSEMBLE RELAIS STATIQUE 3GR	3 UNITS STATIC RELAY SUBASSEMBLY
NZ-1044		SOUS ENSEMBLE RELAIS STATIQUE 4GR	4 UNITS STATIC RELAY SUBASSEMBLY
NZ-2001		SUPPORT DIRRU"TEUR	MAIN SWITCH SUPPPORT
NZ-2002		SUPPORT RELAIS STATIQUES 2GR	2 UNITS SOLID STATE RELAY HOLDER
NZ-2003		SUPPORT RELAIS STATIQUES 3GR	3 UNITS SOLID STATE RELAY HOLDER
NZ-2004		SUPPORT RELAIS STATIQUES 4GR	4 UNITS SOLID STATE RELAY HOLDER
PG-14	0UN277	ECROU M4	NUT M4

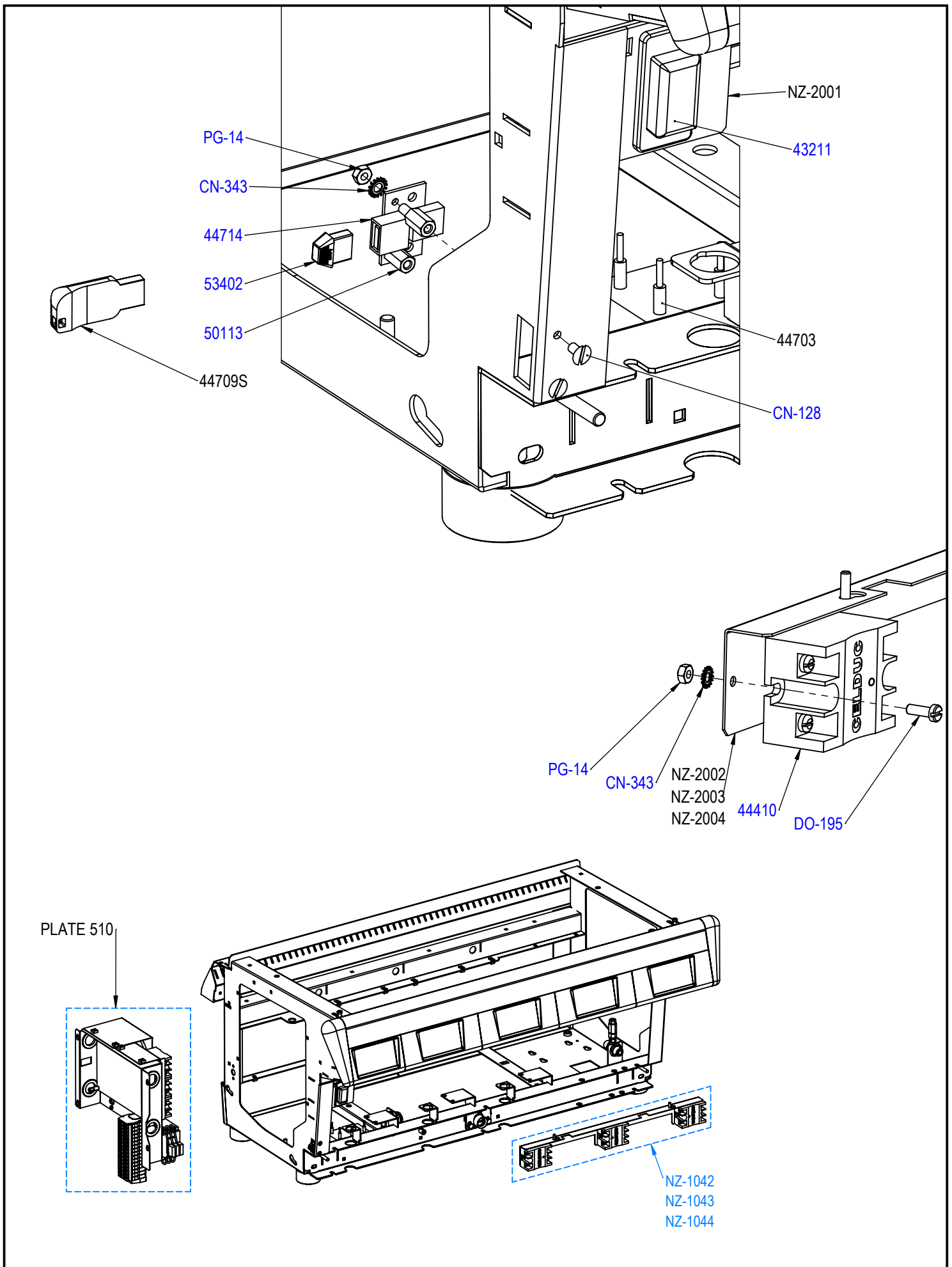


PLANCHE - PLATE 510

REF	ELUX	DESIGNATIONS FR	DESIGNATIONS GB
45360		CARTE CPU	CPU BOARD
34201		THERMOSTAT SECURITE 160C TRI	THERMOSTAT 160C TRI
41422	0UN602	FLASQUE D'EXTREMITE	FLANGE TERMINAL BLOCK
41423		BUTEE SANS VIS BORNIER	END TERMINAL BOARD
42003		CONTRE ECROU PRESSE ETOUPE	PACKING GLAND NUT
43800	0UN087	CONTACTEUR TETRA. 220V 25A 50HZ	CONTACTOR 220V 25A 50Hz
44215		TRANSFORMATEUR TOROIDAL 230V	TRANSFORMER 200-230-240V
44410	0UN169	RELAIS STATIQUE 25A	SOLID STATE RELAY 25A
44710		FILTRE ANTIPARASITE RC	RC FILTER
46035		ETIQUETTE BORNIER STELLA	TERMINAL BOARD STICKER
51053	0UN924	ECROU LONG M4	LONG NUT M4
AE50	0UN833	BORNIER GM GRIS	TERMINAL BLOCK GREY
AE51	0UN762	BORNIER GM BLEU	TERMINAL BLOCK BLUE
CN-124	0UNA1R	VIS INOX TF 4 x 20	SCREW M4 X 20
CN-189	0UN274	VIS TC M4 X 16 INOX	SCREW M4 X 16
CN-325	0UN284	VIS INOX TC 4 x 6	SCREW M4 X 6
CN-651	0UN940	ENTRETOISE COURTE DU C.I.	SHORT SPACER FRAME
CN-661	0UN184	ECROU CAGE M4, EP 1/1.6	INSERT NUT M4
DO-195	0UNA1L	VIS ACIER INOX TC 4 X 12	SCREW M4 X 12
FR-2013		RAIL	RAIL
NZ-2005		SUPPORT RELAIS	RELAY SUPPORT
NZ-2008		SUPPORT TRANSFORMATEUR	TRANSFORMER SUPPORT
NZ-2010		COFFRET ELECTRIQUE	ELECTRICAL BOX
NZ-2011		EQUERRE ARRET BORNIER	BRACKET STOP
NZ-2012		EQUERRE SUPPORT CONTACTEUR	BRACKET CONTACTOR
PE-12	0UN430	ECROU M8	NUT M8
PG-14	0UN277	ECROU M4	NUT M4
PG-15B	0UNA3S	RONDELLE INOX 4.2X10X0.8	WASHER
S-11		RONDELLE ACIER CADMIE	WASHER
V-17	0UN544	VIS INOX TC 4 x 8	SCREW M4 X 8

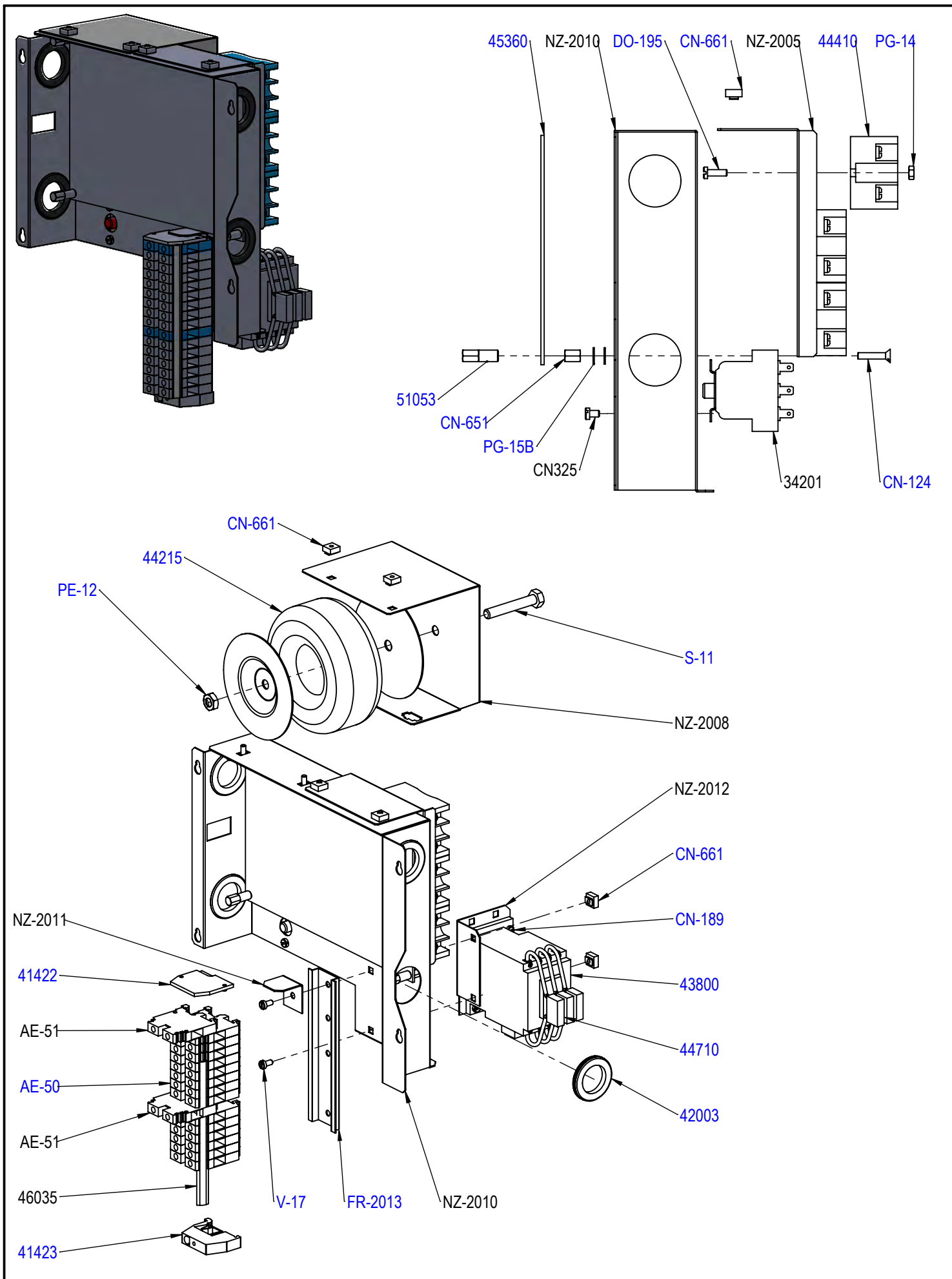


PLANCHE - PLATE 520

REF	ELUX	DESIGNATIONS FR	DESIGNATIONS GB
43113	0UN114	FUSIBLE 5 X 20 1A RETARDE T	FUSE 1A DELAYED
43114	0UN166	FUSIBLE 5 X 20 10A RAPIDE	FUSE 10A FAST
43115	0UN115	FUSIBLE 5 X 20 5A RETARDE T	FUSE 5A DELAYED
43116	0UN118	FUSIBLE 5 X 20 2A RETARDE T	FUSE 2A DELAYED
44301		VENTILATEUR HELICOIDAL 24V	HELICAL FAN 24V
NZ-8003		CABLE ALIMENTATION 24V CPU/BGX	24V SUPPLY CPU/BGX CABLE
NZ-8004		CABLE LIAISON 485 CPU/BGX	LINK 485 CPU/BGX CABLE
NZ-8006		CABLE LIAISON CPU/BTA	LINK CPU/BTA CABLE
NZ-8011		CABLE CAPTEUR CHAUDIERE VAPEUR	STEAM BOILER SENSOR CABLE
NZ-8012		CABLE COMMANDE POMPE 2GR	2 UNITS PUMP CABLE
NZ-8013		CABLE COMMANDE POMPE 3GR	3 UNITS PUMP CABLE
NZ-8014		CABLE COMMANDE POMPE 4GR	4 UNITS PUMP CABLE
NZ-8020		CABLE CMD RELAIS STATIQUE VAPEUR	STEAM SOLID STATE RELAY CABLE
NZ-8022		CABLE EV REMPLISSAGE 2GR	2 UNITS EV FEEDING CABLE
NZ-8023		CABLE EV REMPLISSAGE 3GR	3 UNITS EV FEEDING CABLE
NZ-8024		CABLE EV REMPLISSAGE 4GR	4 UNITS EV FEEDING CABLE
NZ-8033		CABLE FILTRAGE ZENNER	ZENNER FILTERING CABLE
NZ-8038		CABLE CN9 CPU	CN9 CPU CABLE
NZ-8039		CABLE CN8 CPU 3GR	3 UNITS CN8 CPU CABLE
NZ-8040		CABLE CN8 CPU 4GR	4 UNITS CN8 CPU CABLE
FR-8028		CABLE ALIMENTATION MACHINE	MACHINE POWER WIRE
FR-8031		CABLE ALIM MONO 220V UL/CSA	220V UL/CSA MACHINE POWER WIRE
NZ-8042		CABLE ALIM MONO 240V 50HZ	240V 50HZ MACHINE POWER WIRE

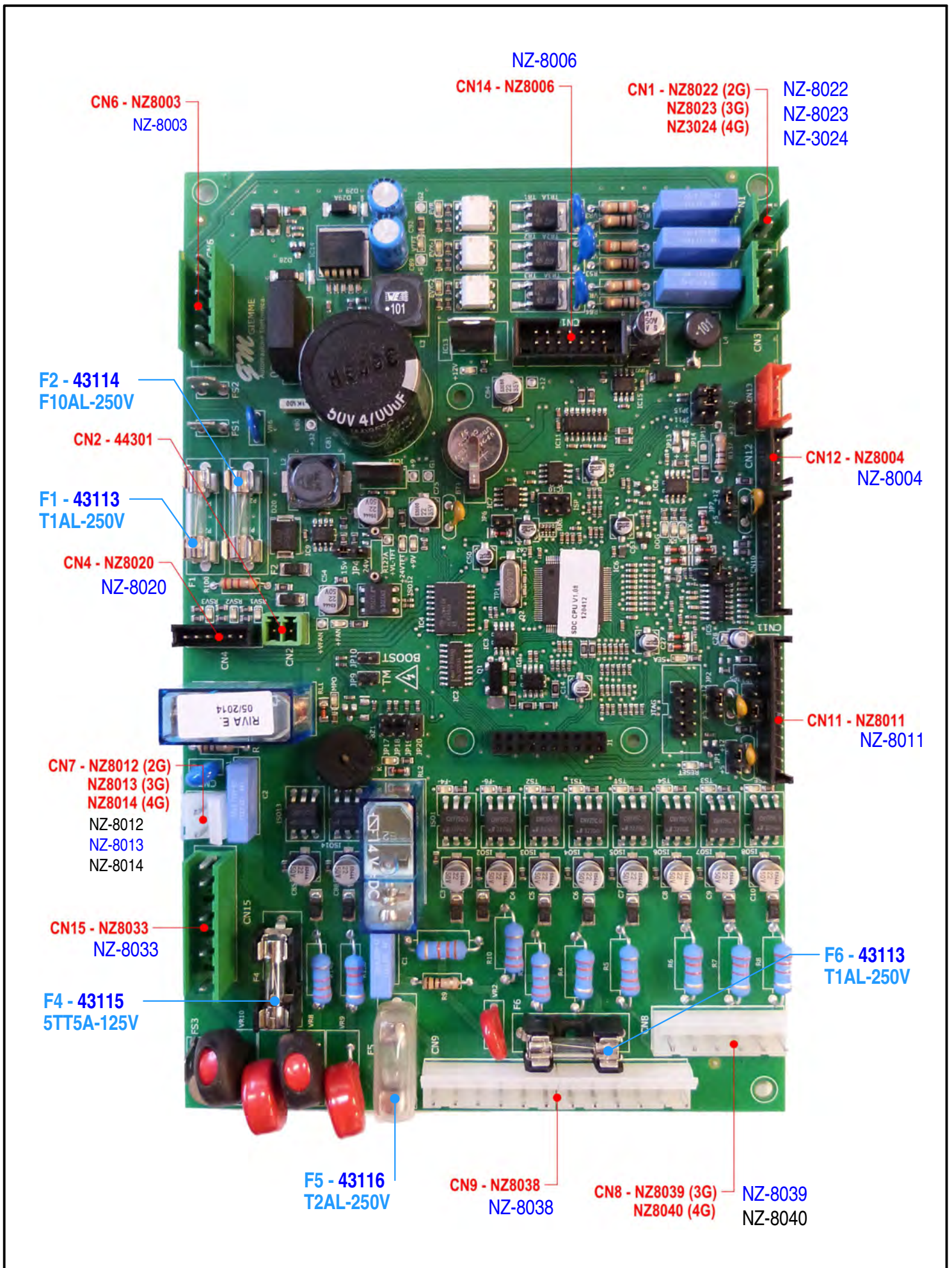


PLANCHE - PLATE 530

REF	ELUX	DESIGNATIONS FR	DESIGNATIONS GB
44714	0UN515	PRISE USB	USB JACK
44715		CABLE LIAISON USB	USB JACK CABLE
44709S		Clé USB programmée STELLA	Programmed USB key
NZ-8000		CABLE EV CAFE RS DO GROUPE	COFFEE EV RS DO GROUP CABLE
NZ-8001		SONDE VAPEUR THERMOSTATEE	THERMOSTATED STEAM PROBE
NZ-8002		CABLE ALIMENTATION 24V BGX/BGX	24V SUPPLY BGX/BGX CABLE
NZ-8002		CABLE ALIMENTATION 24V BGX/BGX	24V SUPPLY BGX/BGX CABLE
NZ-8003		CABLE ALIMENTATION 24V CPU/BGX	24V SUPPLY CPU/BGX CABLE
NZ-8004		CABLE LIAISON 485 CPU/BGX	LINK 485 CPU/BGX CABLE
NZ-8005		CABLE LIAISON 485 BGX/BGX	LINK 485 BGX/BGX CABLE
NZ-8005		CABLE LIAISON 485 BGX/BGX	LINK 485 BGX/BGX CABLE
NZ-8006		CABLE LIAISON CPU/BTA	LINK CPU/BTA CABLE
NZ-8007		CABLE DOSAMAT	DOSAMAT CABLE
NZ-8008		CABLE BST	BST CABLE
NZ-8009		CABLE BST VERSION ROBINET	BST TAP VERSION CABLE
NZ-8010		CABLE SONDE GROUPE	GROUP PROBE CABLE
NZ-8015		SONDE VAPEUR THERMOSTATEE V+	V+ THERMOSTATED STEAM PROBE
NZ-8049		CABLE PRE-INFUSION EVP + CPX	PRE-INFUSION EVP + CPX CABLE
NZ-8050		CABLE PRE-INFUSION EVP	PRE-INFUSION EVP CABLE

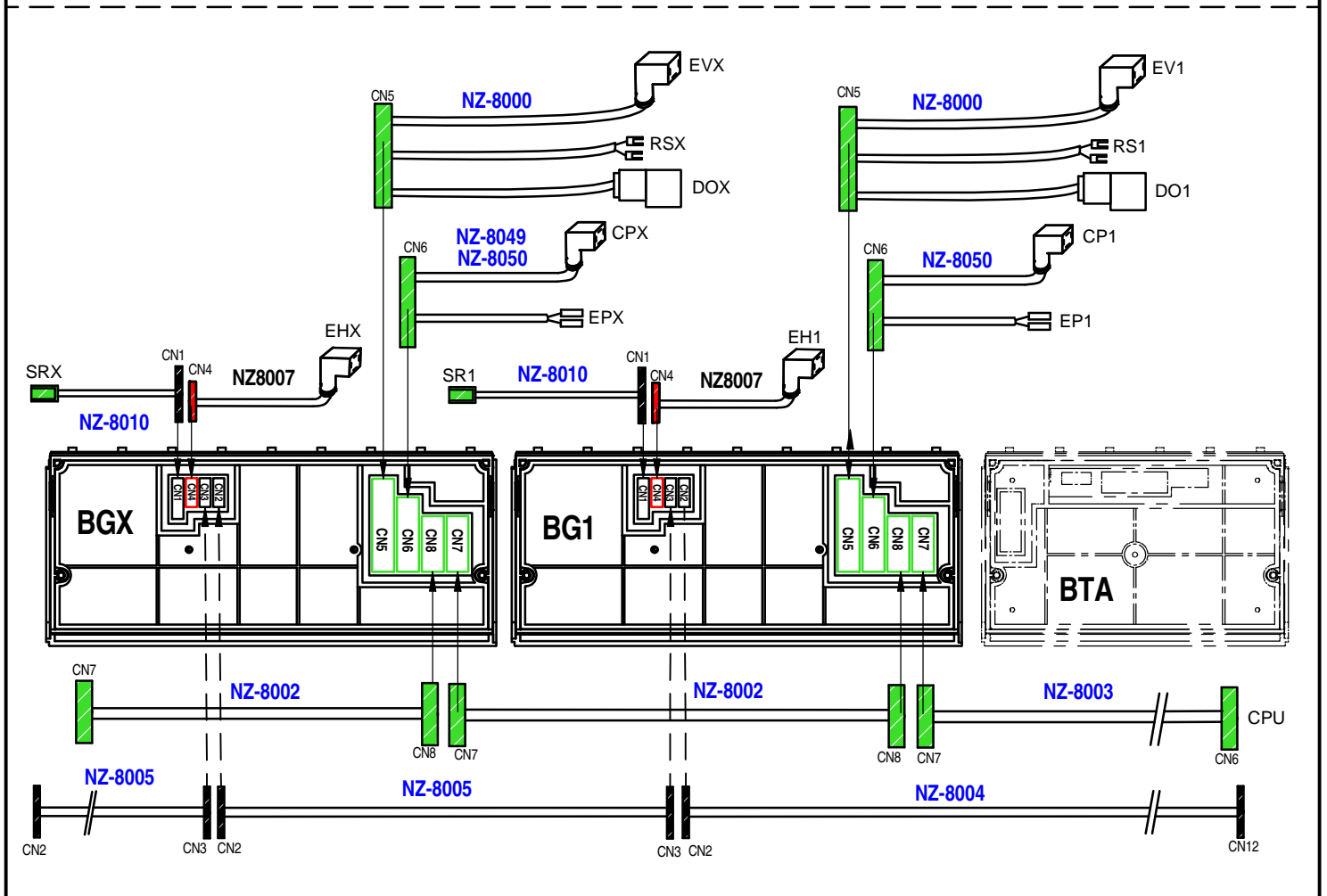
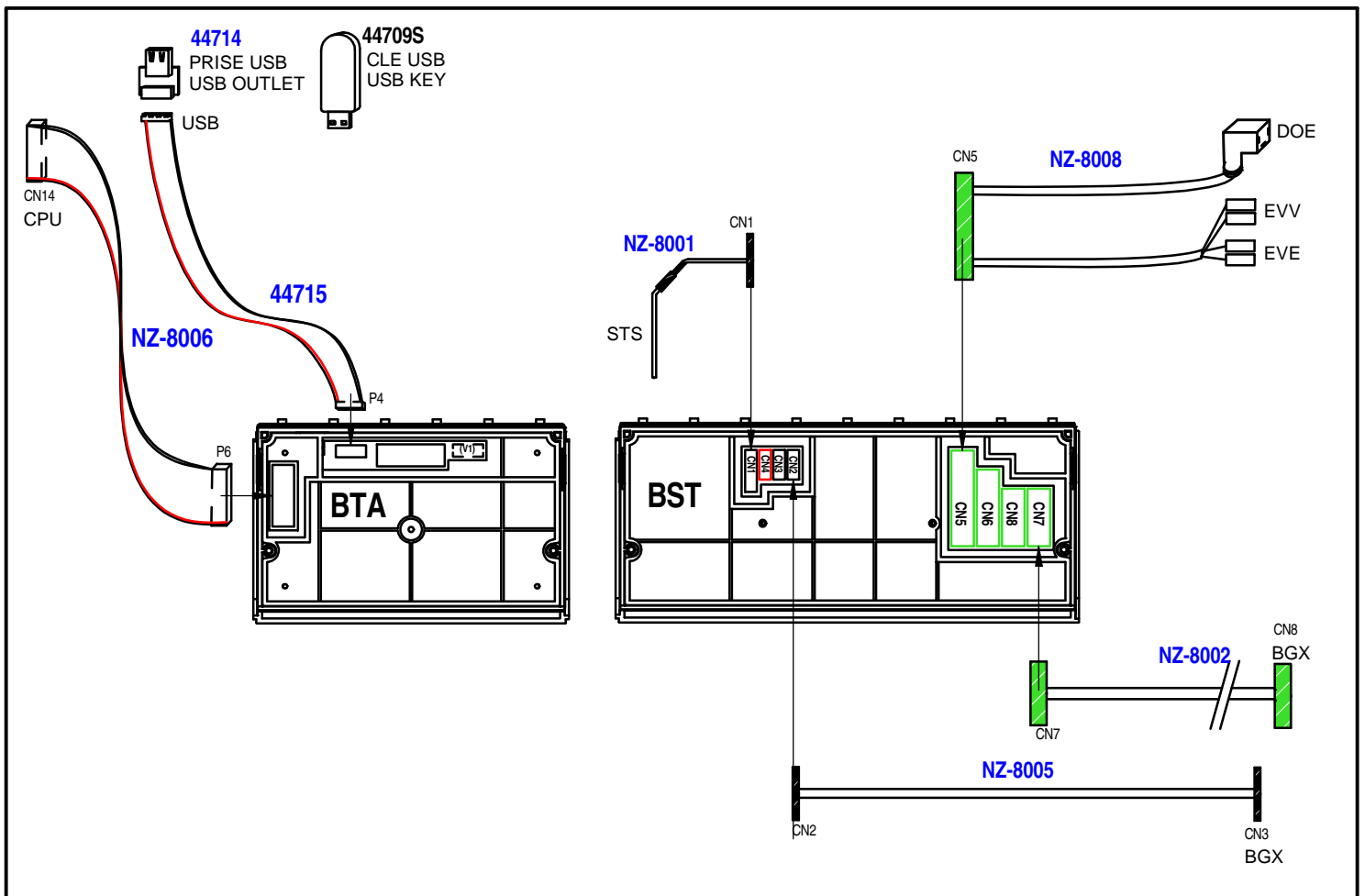
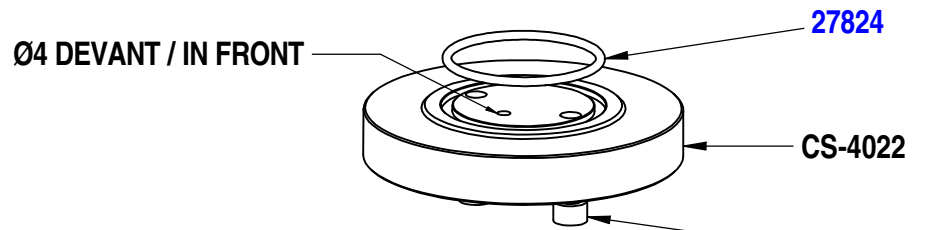
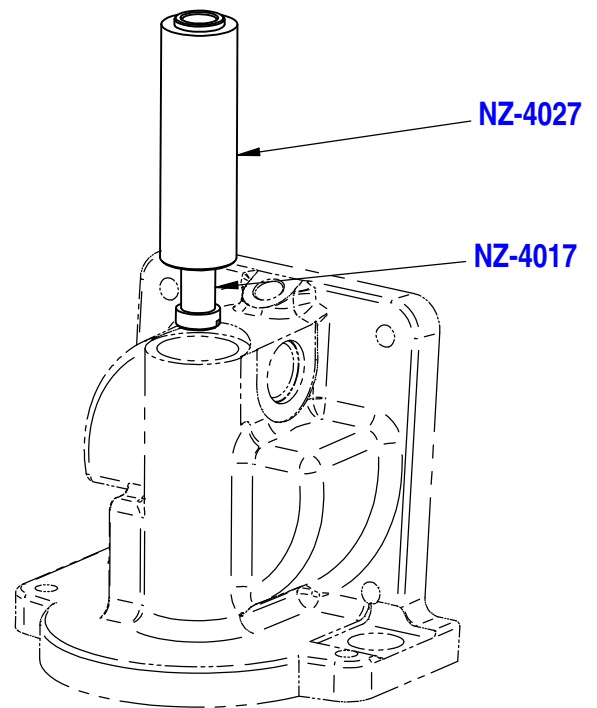
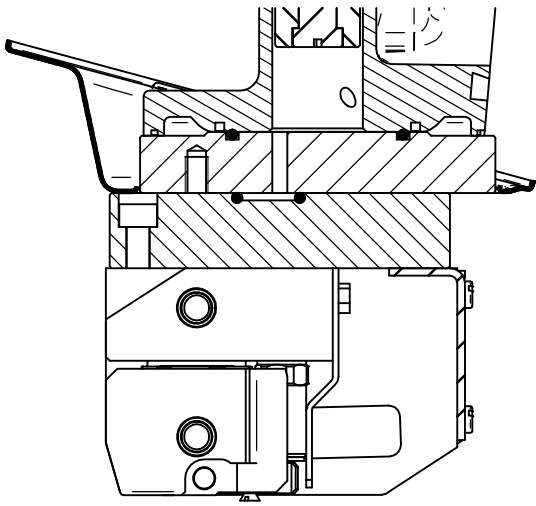
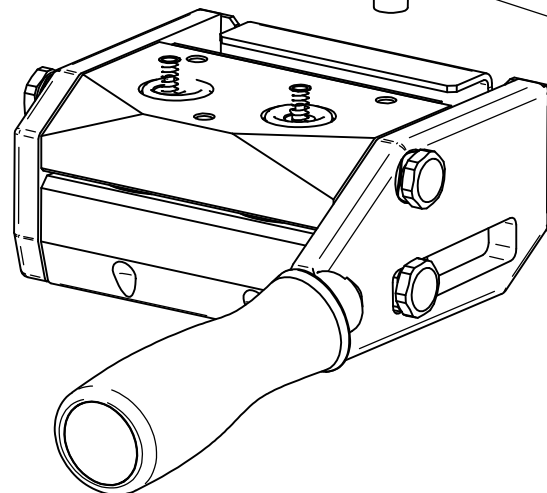
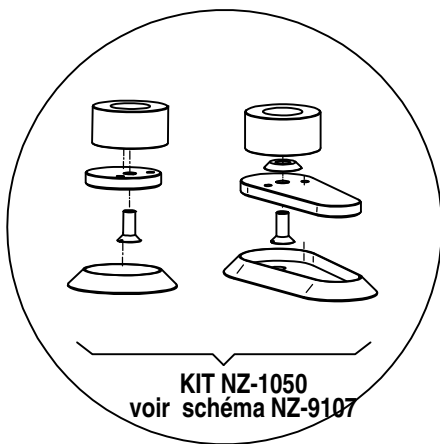
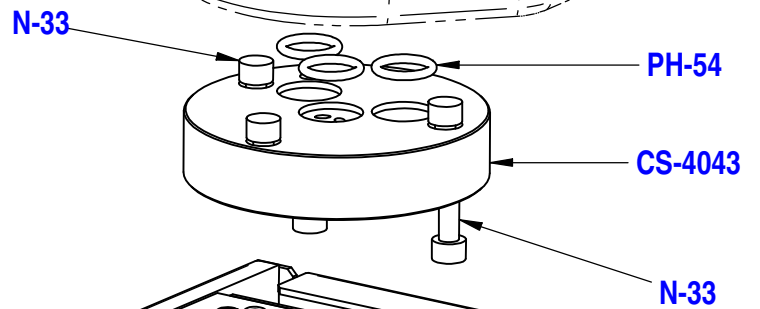
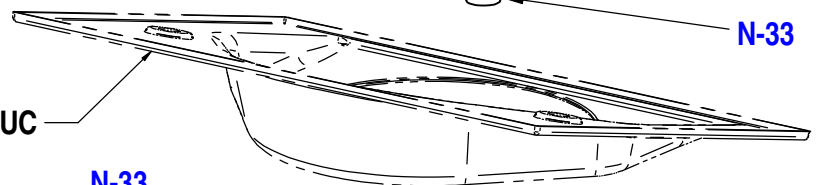


PLANCHE - PLATE 610

REF	ELUX	DESIGNATIONS FR	DESIGNATIONS GB
27824		JOINT TORIQUE 2.62 X 42.52	O-RING 2.62 X 42.52
CS-4022		INTERFACE DOUBLE	DUAL FLANGE
CS-4043		INTERFACE INFERIEURE	LOWER INTERFACE
N-33		VIS CHC M6X20 INOX	S.S. SCREW M6X20
NZ-1050		KIT PIEDS BAS ANTI-BASCULEMENT	LOW ANTI-TIP FEET KIT
NZ-4017		VIS POU MON LONGUE	LONG CHAMBER SCREW
NZ-4027		ENTRETOISE POU MON LONGUE	LONG CHAMBER SPACER
NZ-9107		SCHEMA MONTAGE PIEDS BAS ANTI-BASCULEMENT	MOUNTING MANUAL
PH-54	0UN133	JOINT TORIQUE 2,62X13,95 EPDM	O RING - 13.95 x 2.62



SANS LE JOINT CAOUTCHOUC
WITHOUT RUBBER RING



NOTA:
PIEDS HAUTS OU KIT NZ-1050 ANTI-BASCULEMENT OBLIGATOIRES
LONG FEET OR ANTI-SHIFT KIT NZ-1050 MANDATORY

PLANCHE - PLATE 620

REF	ELUX	DESIGNATIONS FR	DESIGNATIONS GB
50300		VIS TF M6X35 INOX	SCREW M6X25 STAINLESS STEEL
50307		VIS TH M6 X 50	SCREW M6 X 50
50408		VIS TF M8X20	SCREW M8X20
NZ-2018		SUPPORT VIDANGE	DRAIN SUPPORT
NZ-2019		ENTRETOISE VIS BASSINE	SCREW SPACER
NZ-2026		GRILLE DE BASSINE 2GR	2 UNITS OVERFLOW TRAY GRID
NZ-2026		GRILLE DE BASSINE 2GR	2 UNITS OVERFLOW TRAY GRID
NZ-2046		GRILLE DE BASSINE 4GR	4 UNITS OVERFLOW TRAY GRID
NZ-2054		GRILLE DE BASSINE GAUCHE	LEFT OVERFLOW TRAY GRID
NZ-2055		GRILLE DE BASSINE DROITE	RIGHT OVERFLOW TRAY GRID
NZ-3025		DEVANT 2GR V+	FRONT CASING 2 UNITS V+
NZ-3035		DEVANT 3GR V+	FRONT CASING 3 UNITS V+
NZ-3045		DEVANT 4GR V+	FRONT CASING 4 UNITS V+
NZ-3065		TABLETTE REPOSE TASSES	SHELF FOR CUPS
NZ-3066		COIN BLOCAGE TABLETTE	LOCKING WEDGE
NZ-3067		SUPPORT TABLETTE	SHELF SUPPORT
NZ-3071		SUPPORT ECROU CAGE	NUT HOLDER
NZ-3072		RENFORT DEVANT EXPORT 2GR	FRONT CASING 2 UNITS REINFORCEMENT
NZ-3073		RENFORT DEVANT EXPORT 3GR	FRONT CASING 3 UNITS REINFORCEMENT
NZ-3074		RENFORT DEVANT EXPORT 4GR	FRONT CASING 4 UNITS REINFORCEMENT
NZ-4005		TUBE VIDANGE	DRAIN PIPE
NZ-4020		COLONETTE PIED HAUT	SPACER
NZ-4024		EMBASE PIED ARRIERE	REAR FOOT BASE
NZ-4025		EMBASE PIED AVANT	FRONT FOOT BASE
NZ-6001		TUBE DECOMPRESSION V+	DECOMPRESSION V+ PIPE
NZ-6006		TUBE ALIMENTATION GROUPE	UNIT FEEDING PIPE
NZ-6016		TUBE EVACUATION SOUPAPE HP (V+)	HP VALVE DRAIN TUBE (V+)
NZ-7020		PIED ARRIERE	REAR FOOT
NZ-7022		PIED AVANT	FRONT FOOT
NZ-7023		PATIN PIED AVANT	FRONT RUBBER FOOT
NZ-7024	OUN315	PATIN PIED ARRIERE	REAR RUBBER FOOT

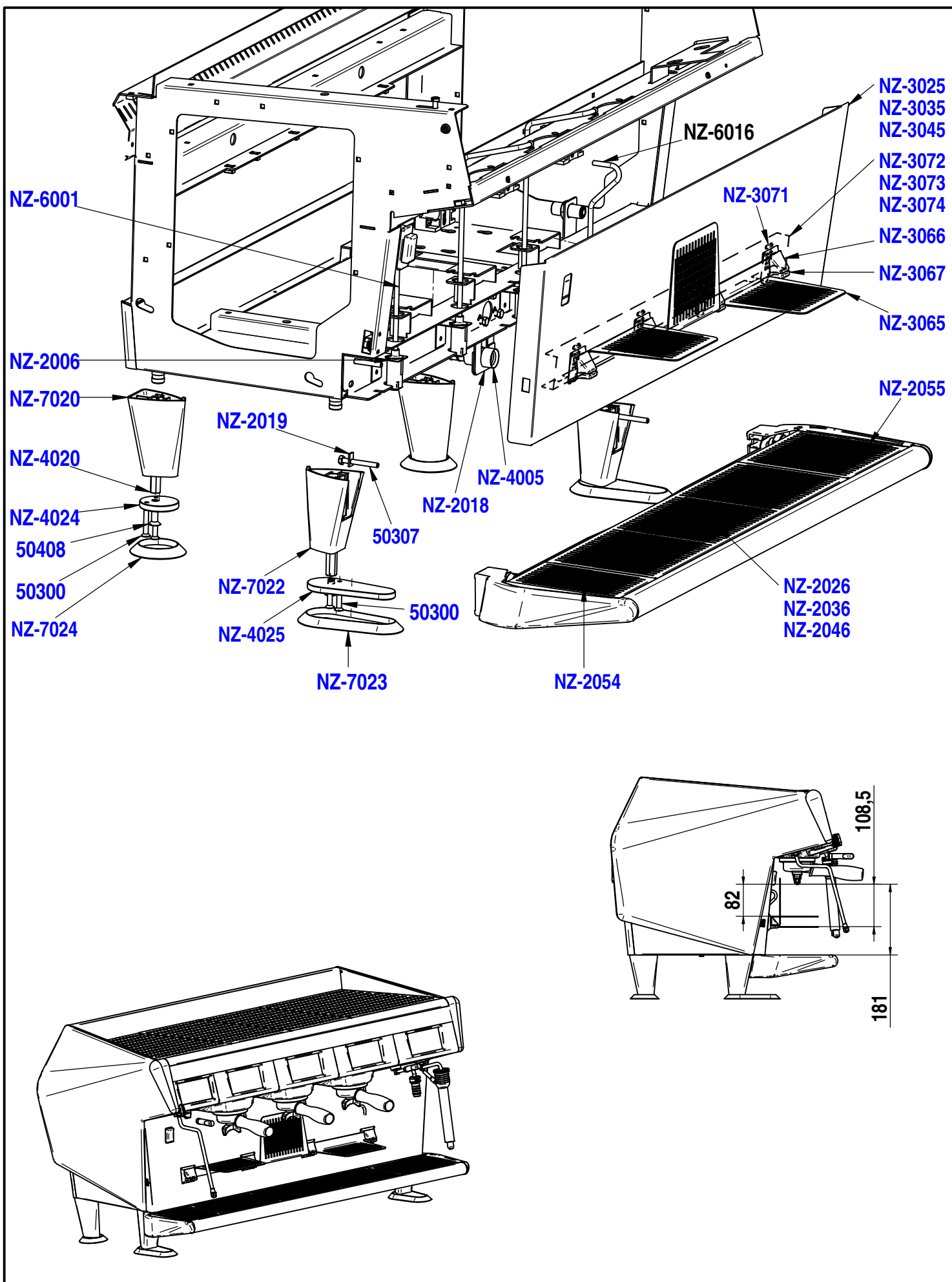
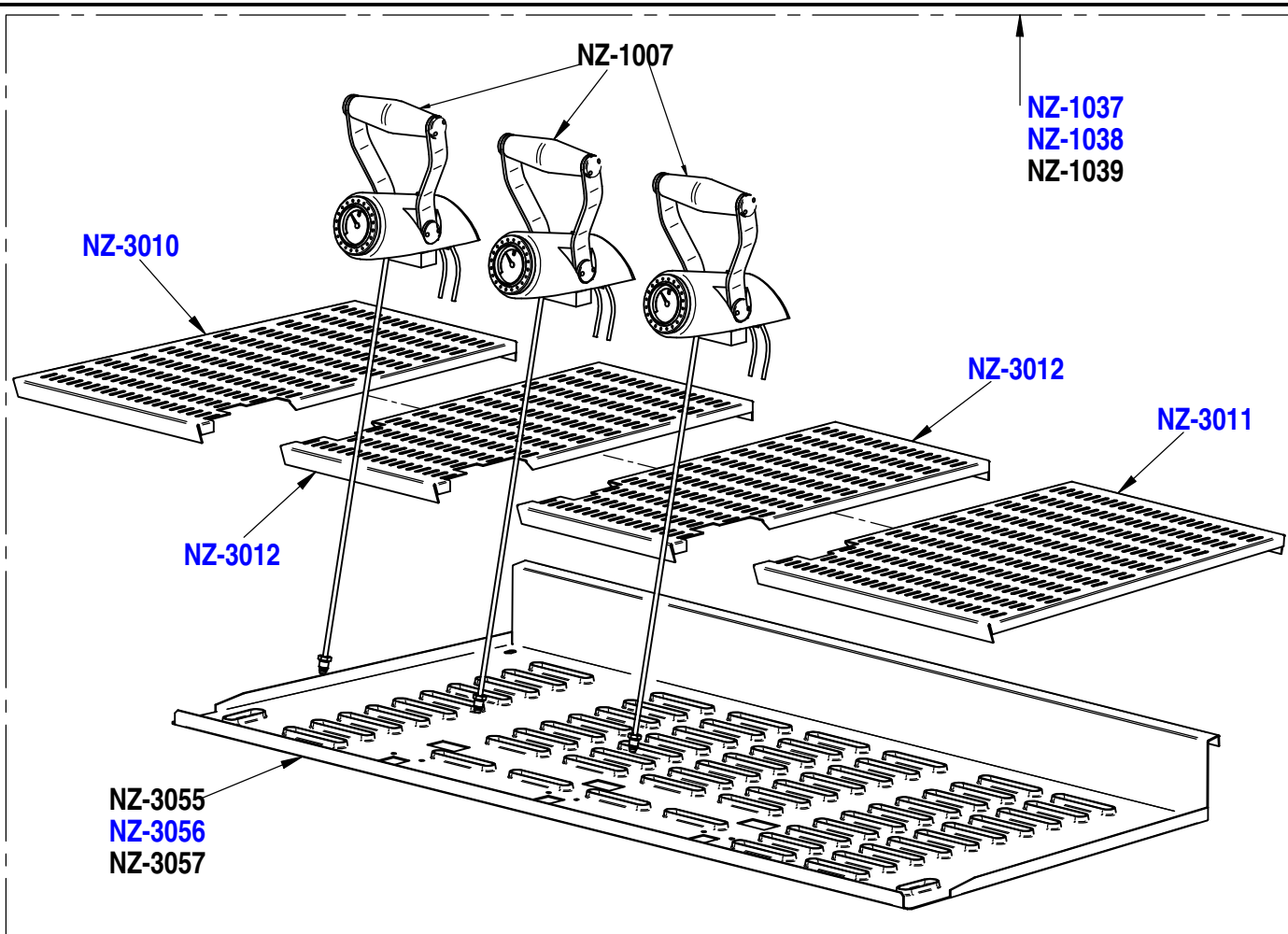
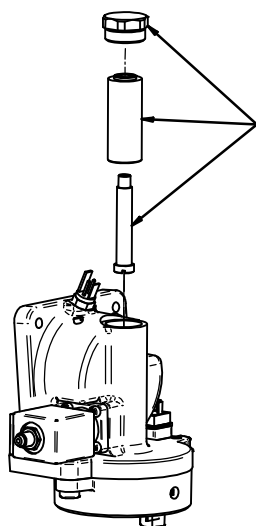


PLANCHE - PLATE 630

REF	ELUX	DESIGNATIONS FR	DESIGNATIONS GB
NZ1-007		DOUBLE COMMANDE	DUAL COMMAND
NZ-1037		KIT DOUBLE COMMANDE 2GR	DUAL COMMAND 2 UNITS KIT
NZ-1038		KIT DOUBLE COMMANDE 3GR	DUAL COMMAND 3 UNITS KIT
NZ-1039		KIT DOUBLE COMMANDE 4GR	DUAL COMMAND 4 UNITS KIT
NZ-3010		VERRIERE GAUCHE D-C	LEFT CUP RACK DUAL COM.
NZ-3011		VERRIERE DROITE D-C	RIGHT CUP RACK DUAL COM.
NZ-3012		VERRIERE MODULE D-C	MIDDLE CUP RACK DUAL COM.
NZ-3055		CHAUFFE TASSES 2GR D-C	DUAL COM. CUP WARMER 2 UNITS
NZ-3056		CHAUFFE TASSES 3GR D-C	DUAL COM. CUP WARMER 3 UNITS
NZ-3057		CHAUFFE TASSES 4GR D-C	DUAL COM. CUP WARMER 4 UNITS

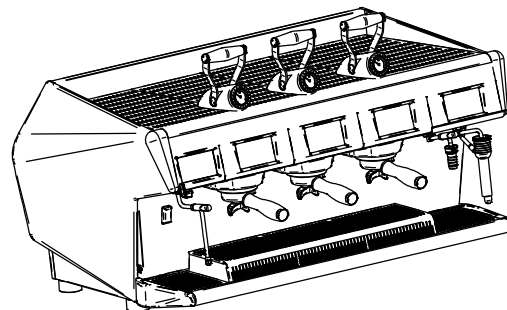


Sur chaque Groupe / For each group

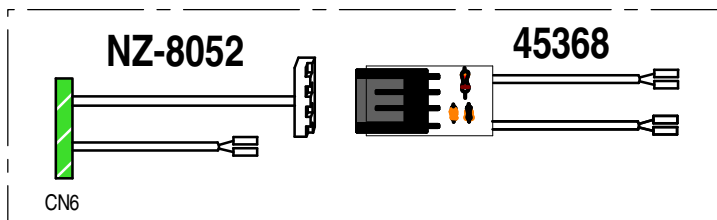


Pièces à remplacer et
fournies avec le kit NZ-1007

Parts to be replaced and
supplied with the kit
NZ-1007



Connection électrique par groupe
Electric connexion per group



NOTA :

- * Machine à partir de la Version 1.05
- * Machine équipée d'une électrovanne de préinfusion
- * Machine sans le dispositif DOSAMAT

NOTA :

- * Machine from the version 1.05
- * Machine equipped with preinfusion E.V
- * Machine without DOSAMAT system

PLANCHE - PLATE 631

REF	ELUX	DESIGNATIONS FR	DESIGNATIONS GB
12734	0UN055	TUBE PTFE DIA:4	PIPE PTFE DIA:4
21360	0UN266	ECROU M8 X 100	NUT M8 X 100
21420		BICONE DIA:4.5	NIPPLE DIA:4.5
21421		INSERT DIA:2.6	SLEEVE DIA:2.6
27100		MANOMETRE	MANOMETER
45368		CABLE MODULE DOUBLE COMMANDE	DUAL COMMAND CABLE
50120	0UN757	VIS TC M4X35 INOX	S.STEEL SCREW M4X35
50301		VIS TC M6X50 INOX	SCREW M6X50 STAINLESS STEEL
52610	0UN505	COUSSINET XFM 10-12-9	BEARING 10-12-9
CN-104		VIS INOX TC 3 x 12	SCREW M3 x 12 STAINLESS STEEL
CN-1049		BILLE INOX DIAMETRE 8mm	STAINLESS STEEL BALL _ 8mm
CN-620	0UN182	LEVIER AV.RESSORT 161E r=24,1	LEVER WITH CASTOR
CN-642	0UN035	MINIRUPTEUR F=300GR FLASHE OR	MICROSWITCH
MI80	0UN944	VIS TCHC M4x12 INOX	SCREW M4 X 12
NZ-1006		LEVIER DE COMMANDE	COMMAND LEVER
NZ-1007		DOUBLE COMMANDE	DUAL COMMAND
NZ-4010		ENTRETOISE POU MON	CHAMBER SPACER
NZ-4015		BOUCHON GROUPE CAPTEUR	SENSOR UNIT CAP
NZ-4016		VIS POU MON GR STELLA	CHAMBER SCREW
NZ-4028		SUPPORT DOUBLE COMMANDE	DUAL COMMAND HOLDER
NZ-4029		VIS SPE AXE LEVIER	LEVER SCREW
NZ-4030		LEVIER GAUCHE	LEFT LEVER
NZ-4031		LEVIER DROIT	RIGHT LEVER
NZ-4032		AXE LEVIER	LEVER PIN
NZ-4033		CAME	CAM
NZ-4034		SUPPORT MICRORUPTEUR	MICROSWITCH SUPPORT
NZ-4035		CALE FIXATION	BIDING BLOCK
NZ-4036		RESSORT DE RAPPEL	RETURN SPRING
NZ-4037		GUIDE BILLE	BALL GUIDE
NZ-4038		RACCORD COUDE	ANGLED CONNECTION
NZ-4039		RACCORD MANO DC	MANOMETER CONNEXION
NZ-6027		TUBE MANO D-C	MANOMETER TUBE
NZ-7031		POIGNEE	HANDLE
NZ-8052		CABLE BGX / DOUBLE COMMANDE	BGX / DUAL COMMAND CABLE
PA-50		RESSORT INOX 33.5 - 8/10	STAINLESS STEEL SPRING
PC-38	0UN200	VIS STHC M5X8 BOUT POINTU	POINT END SCREW
PG-15B	0UNA3S	RONDELLE INOX 4.2X10X0.8	WASHER
TC-80	0UN211	JOINT TORIQUE 1,78X2,90 FKM	GASKET 1.78X2.90 FKM

Connection électrique par groupe
Electric connexion per group

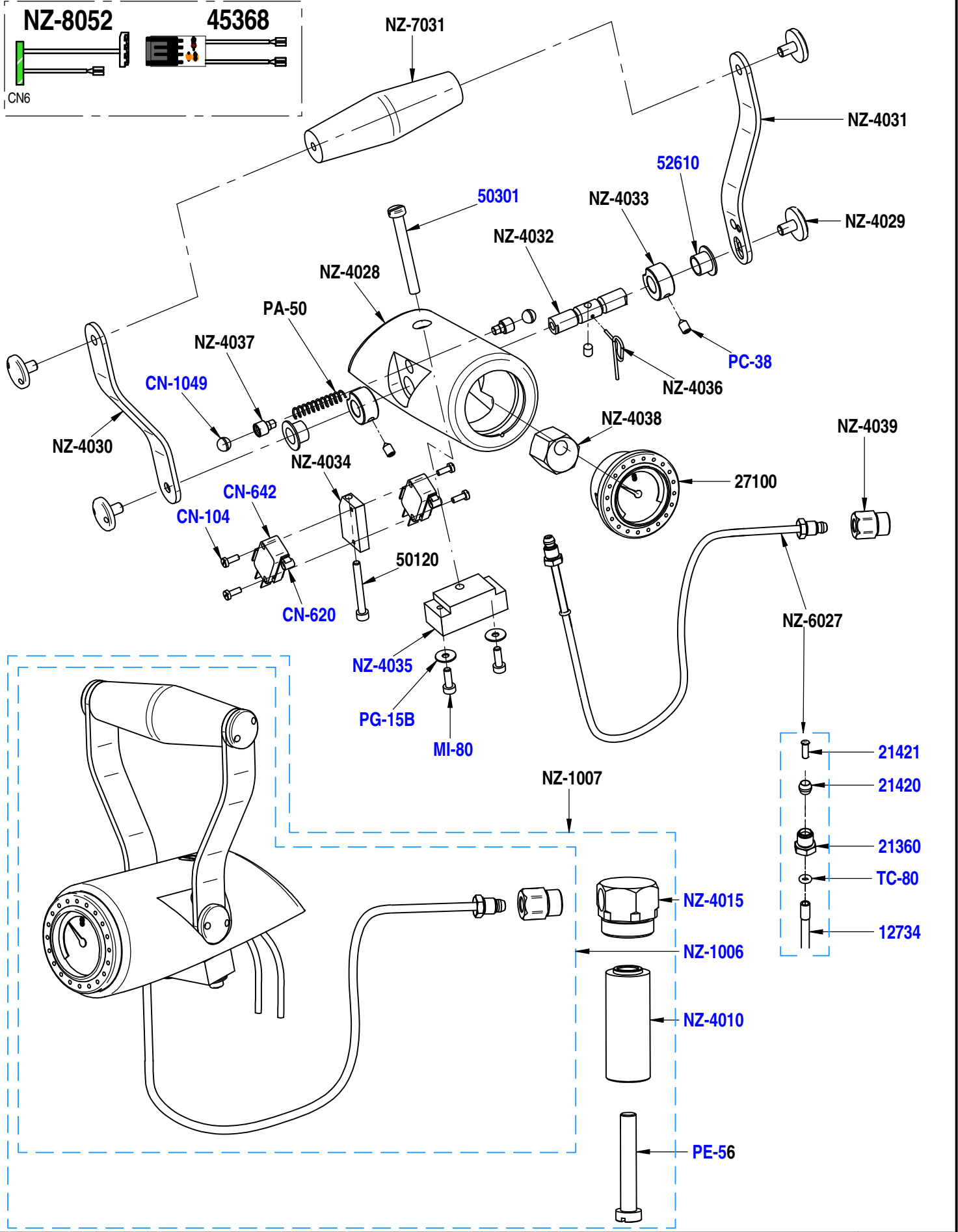
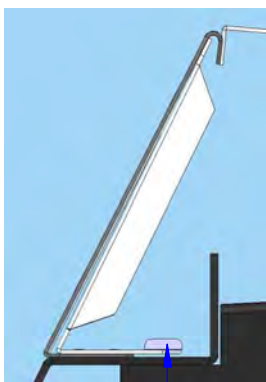
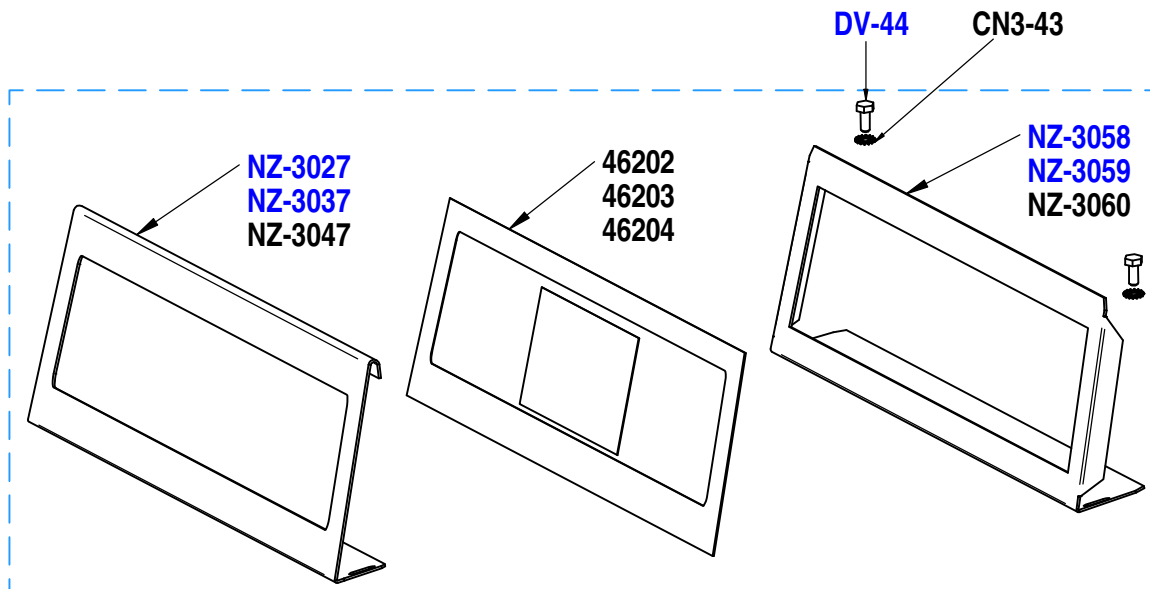


PLANCHE - PLATE 640

REF	ELUX	DESIGNATIONS FR	DESIGNATIONS GB
45038		BOITIER DE CONTRÔLE LED RGB	ELECTONIC BOX FOR LED RGB
46202		BANDEAU AR PERSONNALISABLE 2GR	2 UNITS CUSTOMIZABLE REAR STRIP
46203		BANDEAU AR PERSONNALISABLE 3GR	3 UNITS CUSTOMIZABLE REAR STRIP
46204		BANDEAU AR PERSONNALISABLE 4GR	4 UNITS CUSTOMIZABLE REAR STRIP
50100	0UN948	VIS TC M4 X 25	SCREW M4 X 25
CN-343	0UNA3M	RONDELLE EVENTAIL 4	WASHER 4
DV-44	0UN188	VIS TH M4X10 ACIER	SCREW M4x10
DV-8021		CÂBLE PONT	BRIDGE CABLE
NZ-1046		KIT BANDEAU AR 2GR	REAR STRIP 2 UNITS KIT
NZ-1047		KIT BANDEAU AR 3GR	REAR STRIP 3 UNITS KIT
NZ-1048		KIT BANDEAU AR 4GR	REAR STRIP 4 UNITS KIT
NZ-2066		SUPPORT BOITIER ALIM	CONTROL BOX HOLDER
NZ-3027		ARRIERE CHAUFFE TASSES 2GR BANDEAU	CUP WARMER BACK 2 UNITS STRIP
NZ-3037		ARRIERE CHAUFFE TASSES 3GR BANDEAU	CUP WARMER BACK 3 UNITS STRIP
NZ-3047		ARRIERE CHAUFFE TASSES 4GR BANDEAU	CUP WARMER BACK 4 UNITS STRIP
NZ-3058		TOLE SANDWICH BANDEAU AR 2GR	REAR SANDWICH PLATE 2 UNITS
NZ-3059		TOLE SANDWICH BANDEAU AR 3GR	REAR SANDWICH PLATE 3 UNITS
NZ-3060		TOLE SANDWICH BANDEAU AR 4GR	REAR SANDWICH PLATE 4 UNITS
NZ-8026		RUBAN LED AR 2GR	REAR LED STRIP 2 UNITS
NZ-8027		RUBAN LED AR 3GR	REAR LED STRIP 3 UNITS
NZ-8028		RUBAN LED AR 4GR	REAR LED STRIP 4 UNITS
PG-14	0UN277	ECROU M4	NUT M4
TG-8002		CABLE ALIM 24V LED RGB	24V LED RGB SUPPLY CABLE



EMPLACEMENT RUBAN LED
LED STRIP LOCATION

