
NO. 71165

ISSUED: MARCH 1, 2000

REVISED: OCT. 23, 2000



**HOSHIZAKI
CONDENSER UNIT**

**MODEL
URC-6F**

PARTS LIST

H-0 March, 1998

J-0 Dec., 1998

K-0 Dec., 1999

MATERIAL ABBREVIATIONS

ALUMINUM

AL = Aluminum

COPPER

CU = Copper

PLASTIC

ABS = Acrylonitrile -butadiene - styrene
 AC = Polyacetal
 EVA = Ethylene vinyl acetate
 PA = Polyamide = Nylon
 PC = Polycarbonate
 PE = Polyethylene
 PES = Polyester
 PETP = Polyethylene terephthalate = Tetlon
 PP = Polypropylene
 PS = Polystyrene
 PTFE = Polytetrafluoroethylene = Teflon
 PUR = Polyurethane
 PVC = Polyvinyl chloride

RUBBER

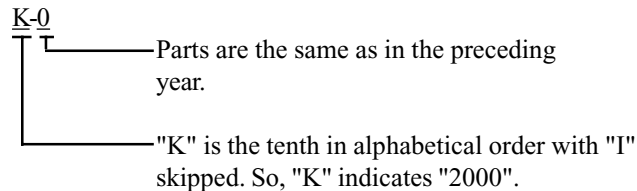
VN = Vinyl Nitrile
 EPDM = EP rubber
 NBR = Nitrile butadiene rubber
 NR = Natural rubber
 NP = Neoprene
 SIR = Silicone rubber
 SYR = Synthetic rubber
 EPH = Epichlorohydrin

STEEL

GS = Galvanized steel
 SS = Stainless steel
 PS = Plated steel
 PAS = Primed steel

AUXILIARY CODE

Ex.1

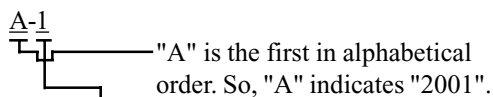


(Note) - = Part deleted.

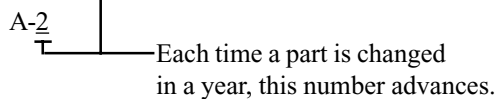
x = Part deleted and replaced by "o" part.

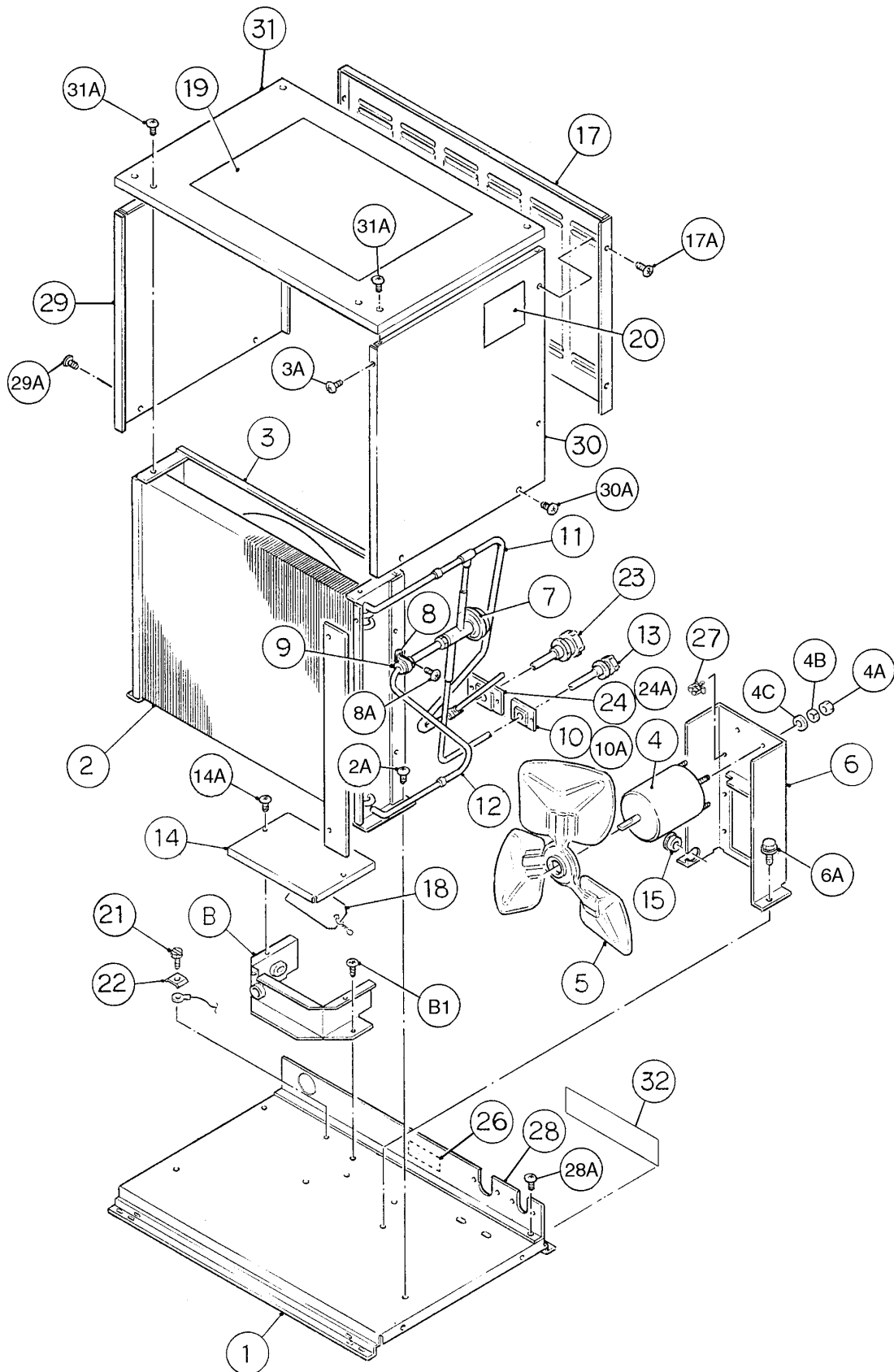
o = New part for "x" in the same auxiliary code.

Ex.2



Ex.3





HA

MODEL: URC-6F TITLE: A. CONDENSER UNIT										
INDEX NO.	DESCRIPTION	MATERIAL OR MODEL NUMBER	PART NUMBER	REQUIRED NUMBER						
				H-0	J-0	K-0				
B	JUNCTION BOX	-	2A0117A01	1	1	1				
B1	TRUSS HEAD SCREW	SS, 5X12	7C32-0512	2	2	2				
1	UNIT BASE	GS	219171G01	1	1	1				
2	CONDENSER	-	216519-02	1	1	1				
2A	T2 SCREW	SS, 4X8	7P32-0408	2	2	2				
3	SHROUD	GS	216522-01	1	1	1				
3A	T2 SCREW	SS, 4X8	7P32-0408	4	4	4				
4	FAN MOTOR	5KPM59KSK 4140-S	435275-01	1	1	1				
4A	HEX NUT	SS, No. 8-32 UNC	7N0210832	4	4	4				
4B	SPLIT LOCK WASHER	SS, No. 8-32 UNC	7W2210832	4	4	4				
4C	FLAT WASHER	SS, No. 8-32 UNC	7L2210832	4	4	4				
5	FAN BLADE	ø350, 21064-03	4A1493-01	1	1	1				
6	FAN MOTOR BRACKET	GS	330799-01	1	1	1				
6A	HEX HEAD BOLT W/WASHER (LF)	SS, 5X12	7B020512	4	4	4				
7	C.P.REGULATOR	LAC-4-190	4A0229-03	1	1	1				
8	"C" CLAMP	CCO-12	7910C1200	1	1	1				
8A	T2 SCREW	SS, 4X8	7P32-0408	1	1	1				
9	SILICONE HOSE	L=20	7730-0912	1	1	1				
10	TUBE HOLDER (S)	GS	438246-01	1	1	1				
10A	T2 SCREW	SS, 4X8	7P32-0408	2	2	2				
11	COPPER TUBE (A)	COPPER	3A1034G01	1	1	1				
12	COPPER TUBE (B)	COPPER	441745-01	1	1	1				
13	COUPLING (C)	-	434100G04	1	1	1				
14	JUNCTION BOX COVER	GS	436442-01	1	1	1				
14A	T2 SCREW	SS, 4X8	7P32-0408	2	2	2				
15	BUSHING	OCB-750	428394-01	1	1	1				

MODEL: URC-6F TITLE: A. CONDENSER UNIT												
INDEX NO.	DESCRIPTION	MATERIAL OR MODEL NUMBER	PART NUMBER	REQUIRED NUMBER								
				H-0	J-0	K-0						
16	-	-	-									
17	LOUVER PANEL	GS	216521-01	1	1	1						
17A	T2 SCREW	SS, 4X8	7P32-0408	4	4	4						
18	TAG - FAN MOTOR LEADS	PAPER	420742-01	1	1	1						
19	INSTRUCTION SHEET	PAPER	324841-01	1	1	1						
20	NAMEPLATE	PES FILM	4A1468-01	1	1	x1						
21	SCREW - GROUNDING	BRASS	433304-02	1	1	1						
22	SQUARE WASHER	BRASS	433537-02	1	1	1						
23	COUPLING	-	434101G01	1	1	1						
24	TUBE HOLDER (L)	GS	438245-01	1	1	1						
24A	T2 SCREW	SS, 4X8	7P32-0408	2	2	2						
25	-	-	-									
26	LABEL - R404A	PES FILM	4A0960-01	1	1	1						
27	CLAMP	No. 4253	427902-05	2	2	2						
28	FRAME	GS	330796-01	1	1	1						
28A	T2 SCREW	SS, 4X8	7P32-0408	3	3	3						
29	SIDE PANEL (R)	GS	2A0895-01	1	1	1						
29A	T2 SCREW	SS, 4X8	7P32-0408	2	2	2						
30	SIDE PANEL (L)	GS	2A0896-01	1	1	1						
30A	T2 SCREW	SS, 4X8	7P32-0408	2	2	2						
31	TOP PANEL	GS	2A0897-01	1	1	1						
31A	T2 SCREW	SS, 4X8	7P32-0408	9	9	9						
32	CAUTION TAPE - 404A	L=250	4A1535L01	1	1	1						

