

ERGO

Spare parts manual



ERGO100



Varimixer

Varimixer
2215 East River Road
Dayton, OH 45439, US

P: (800) 222-1138
E: mixer@varimixer.com
www.varimixerusa.com

EN

DRN: 240100-1136
2020 11 17

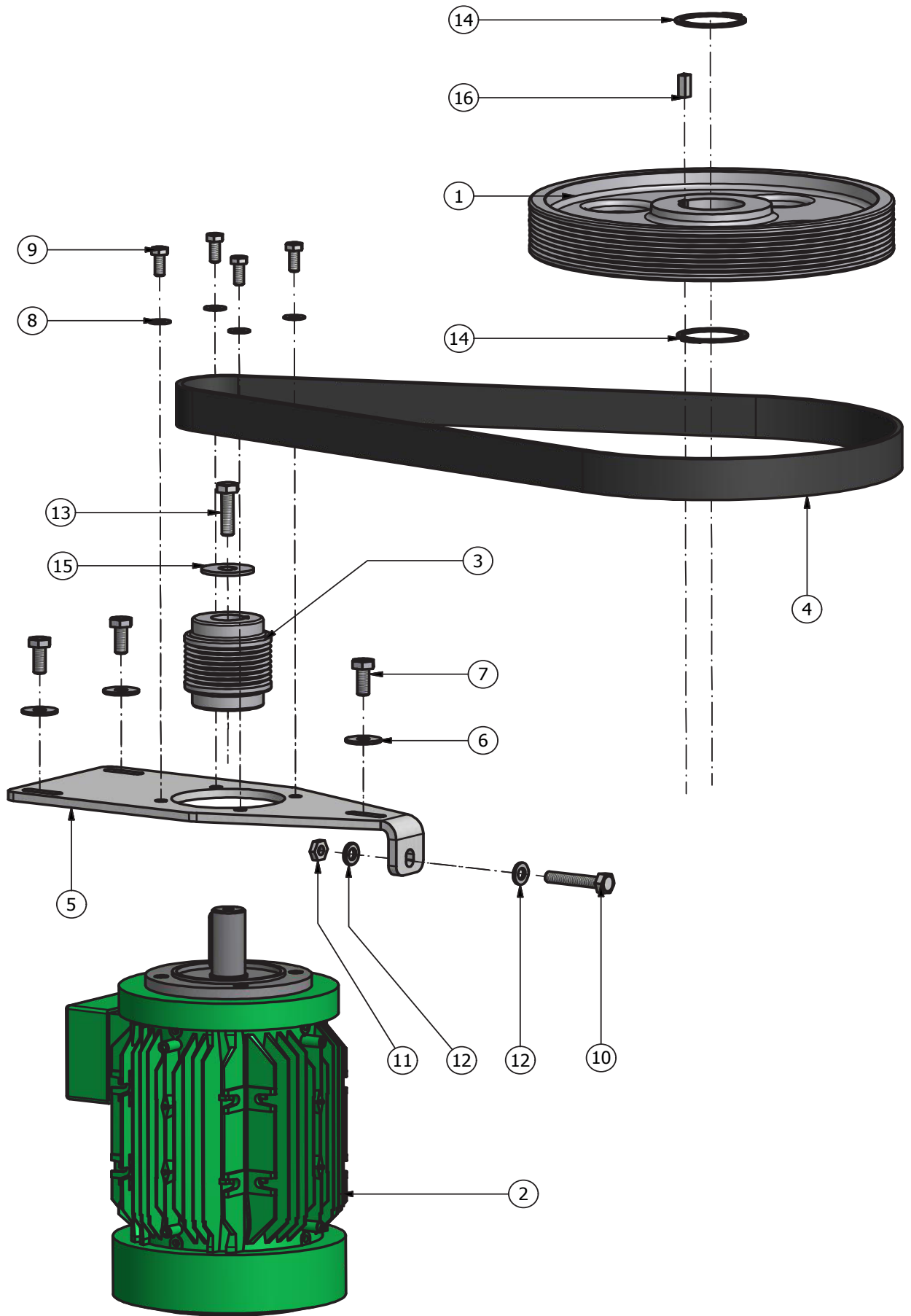
Mixer Spare Parts

TABLE OF CONTENTS

| | |
|---------------------------|----|
| TRANSMISSION..... | 2 |
| LIFTING SYSTEM | 4 |
| BOWL ARMS..... | 6 |
| SAFETY GUARD | 8 |
| PLANETARY HEAD..... | 10 |
| MACHINE COLUMN..... | 12 |
| ELECTRIC-BOX..... | 14 |
| FRONT PANEL..... | 16 |
| FREQUENCY CONVERTER | 18 |
| CABLES..... | 20 |
| ACCESSORIES | 22 |

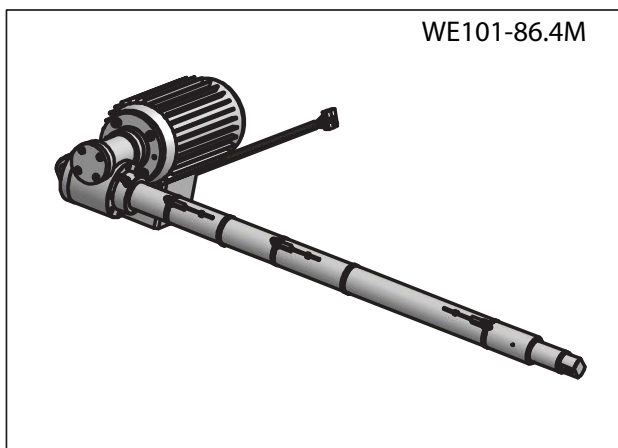
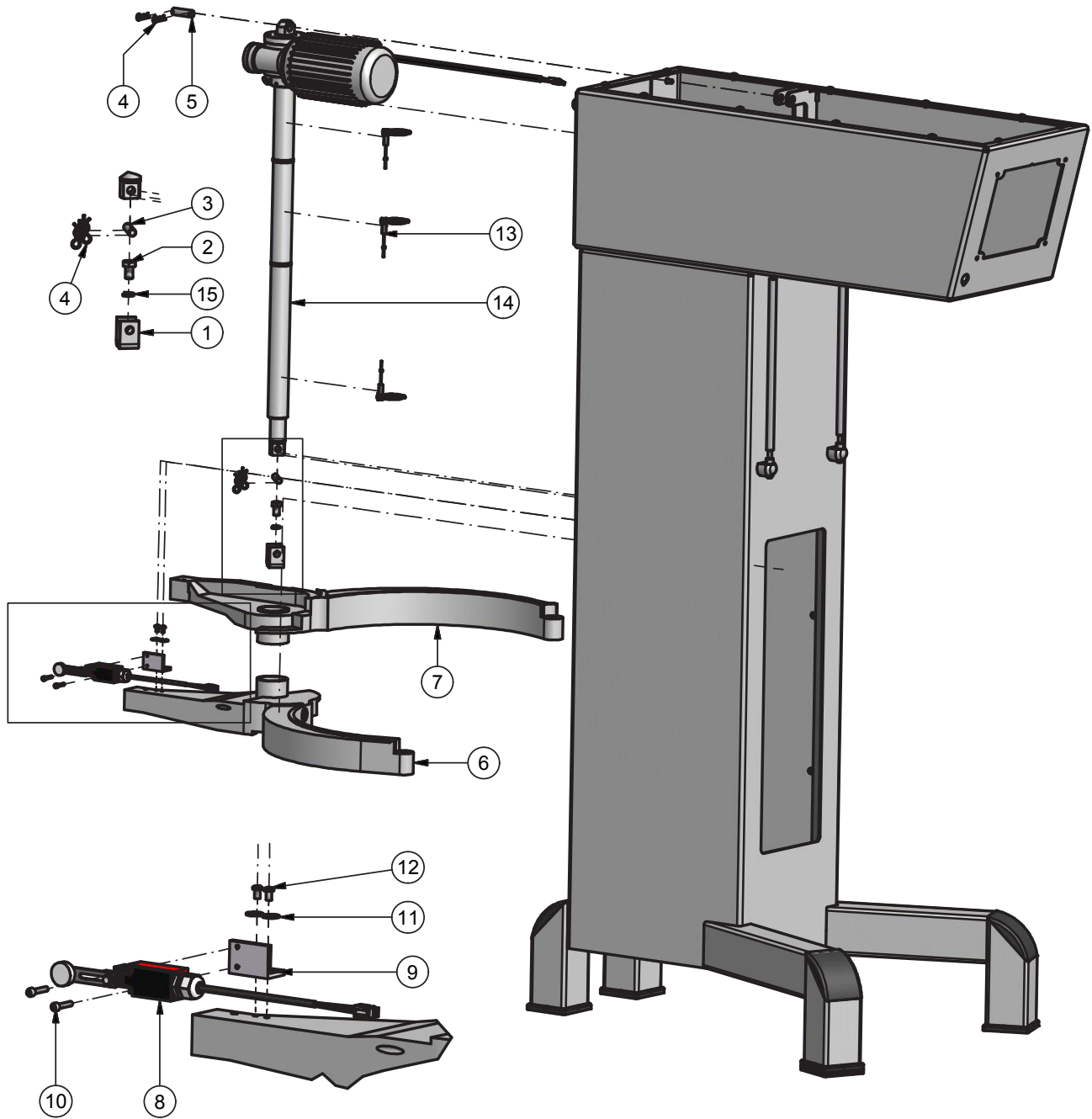
TRANSMISSION

| ITEM | Part number | Name | Sold as |
|------|---------------------------|--|---------|
| 1 | AE140-129 | Belt Wheel Planetary Gear | |
| 2 | WE101-85.2 | Motor 4kw, 208V, 50Hz | |
| 3 | CE101-128 | Belt Wheel Motor | |
| 4 | CE101-90 | Micro V-rem | |
| 5 | CE101-61 | Motor Plate Bowed | |
| 6 | STA6033 | Flat Washer $\varnothing 10,5-\varnothing 30 \times 2,5$ | |
| 7 | STA5344 | Hex Cap Screw M10x25 | |
| 8 | STA6020 | Flat Washer $\varnothing 8,4/\varnothing 18 \times 1,25$ | |
| 9 | STA5322 | Hex Cap Screw M8x20 | |
| 10 | STA5348 | Hex Cap Screw M10x55 | |
| 11 | STA5825 | Hexagon Nut M10 | |
| 12 | STA6026 | Flat Washer $\varnothing 10,5-\varnothing 20 \times 2,5$ | |
| 13 | STA5346 | Hex Cap Screw M10x40 | |
| 14 | STA3419 | Retaining Ring A55 | |
| 15 | STA6088 | Washer M14 15/44/3 | |
| 16 | STA2030 | Feather Key 8x7x20 | |



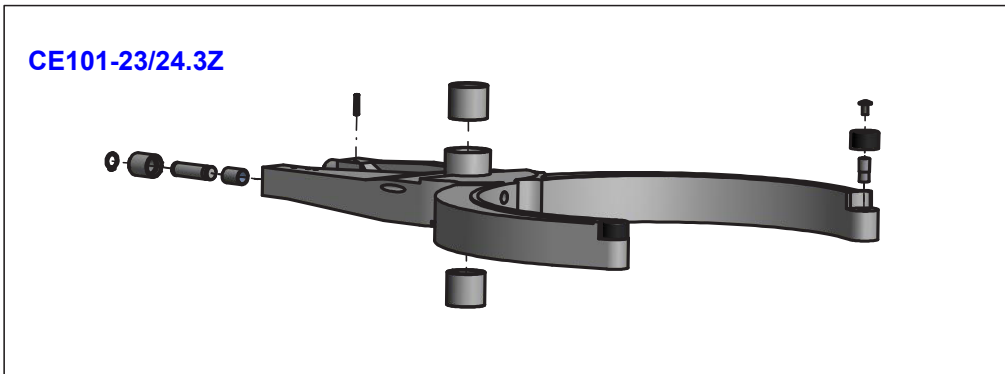
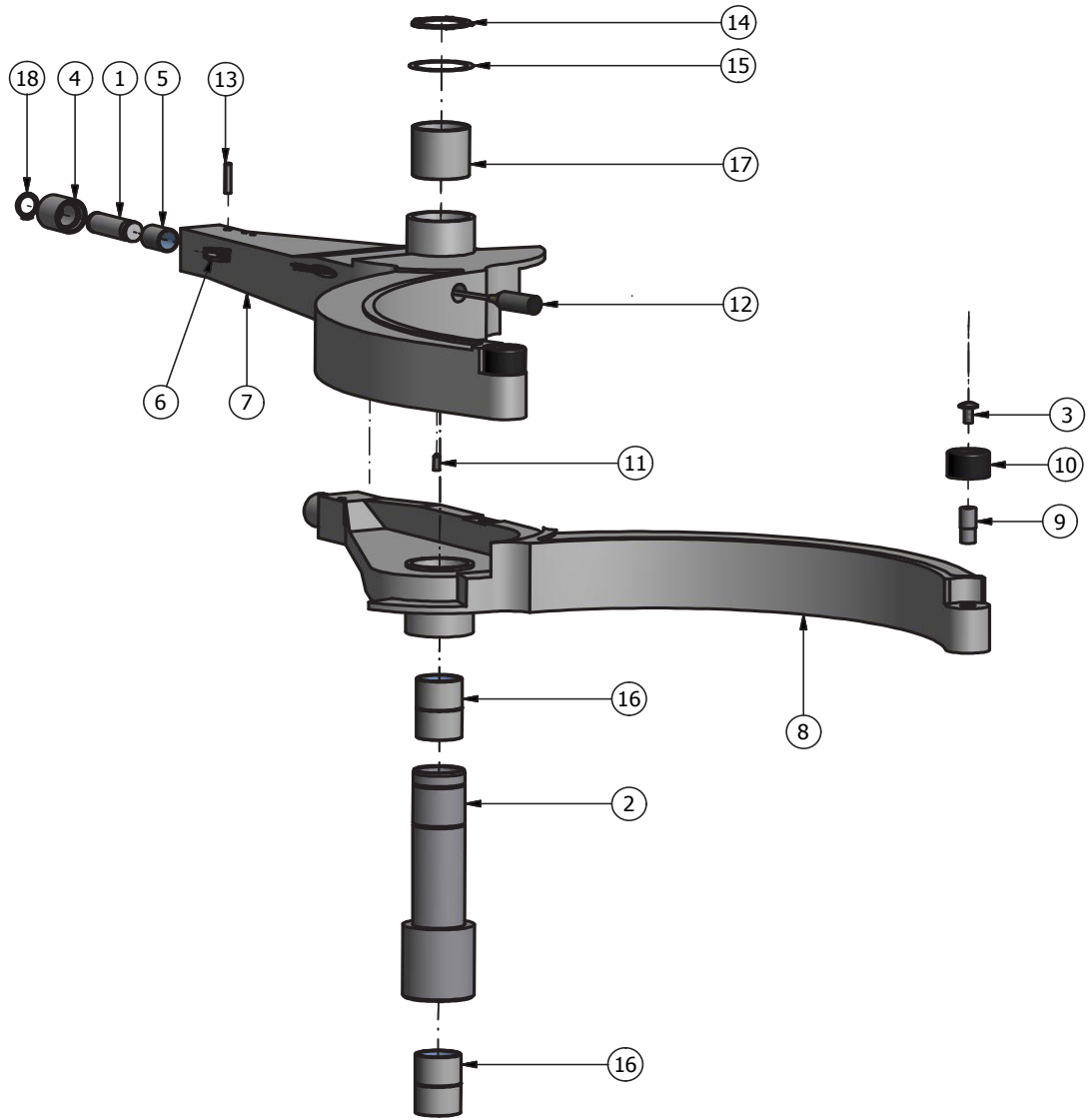
LIFTING SYSTEM

| ITEM | Part number | Name | Sold as |
|------|---------------------------------|---|---------|
| 1 | AR140-116 | Bracket Lift Motor | |
| 2 | STA5347 | Hex Cap Screw M12x20 | |
| 3 | RN100-86.3S | Lift Shaft | |
| 4 | STA6205 | Spring Cotters for Bolt \varnothing 2,5 | |
| 5 | CE61-86.3 | Shaft Actuator | |
| 6 | See "Bowl arms" | | |
| 7 | | | |
| 8 | AE030-173-TS043 | UL Micro ERGO 60/140L | |
| 9 | AE61-173.15 | CE Micro Bracket | |
| 10 | STA5627 | Socket Head Screw M5x25 | |
| 11 | AE140-172.3 | Flat Washer Excentric | |
| 12 | STA5689 | Pan Head Screw M6x10 | |
| 13 | AE140-86.1M | Reed Contact | |
| 14 | WE101-86.4M | Actuator 100L, 208V UL | |
| 15 | STA6058 | Helical Spring Lock Washer M10 | |



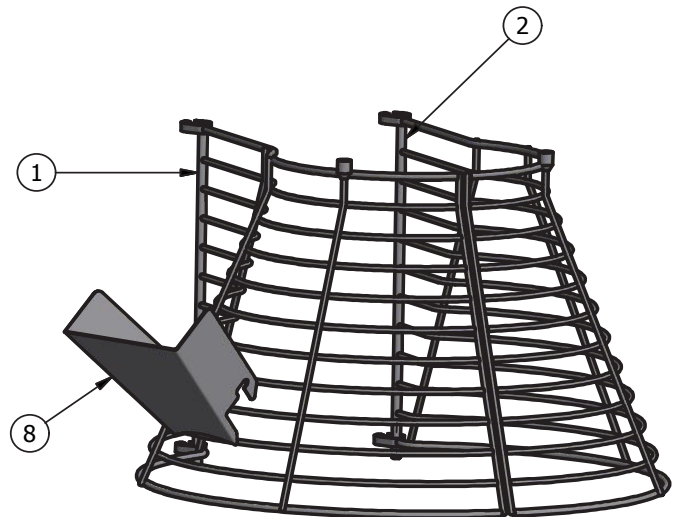
BOWL ARMS

| ITEM | Part number | Name | Sold as |
|------|----------------------------|--------------------------|--------------------------------|
| 1 | AR81-71.10 | Bushing Guide Shaft | |
| 2 | AE101-69.2 | Sliding Bushing 100L | |
| 3 | STA5088 | Truss Head Screw M8x16 | |
| 4 | CE61-71.5 | Bushing Guide Plate | CE61-71.5M |
| 5 | STA2515 | Bearing MB2030DU | CE61-75.1M |
| 6 | R20E-411.1 | Molex Socket (4 poles) | |
| 7 | CE101-23.3 | Bowl Arm Left | Item 19 |
| 8 | CE101-24 | Bowl Arm Right | Item 19 |
| 9 | AR31-127 | Bowl Roller Shaft | |
| 10 | AR31-128 | Bowl Roller | |
| 11 | STA5725 | Set Screw M6x16 | |
| 12 | R20E-501.5 | Incuctive Censor | AE140-501.7Z |
| 13 | STA6370 | Cotter Pin ø6x30mm | |
| 14 | STA3464 | Retaining Ring AK50 | |
| 15 | STA6075 | Washer ø50 x ø62 x 0,5mm | |
| 16 | STA2526 | Bushing MB4030DU | |
| 17 | STA2531 | Bushing MB5050DU | |
| 18 | STA3408 | Retaining Ring A20 | |
| 19 | | Bowl Arm Complete Black | CE101-23/24.3Z |



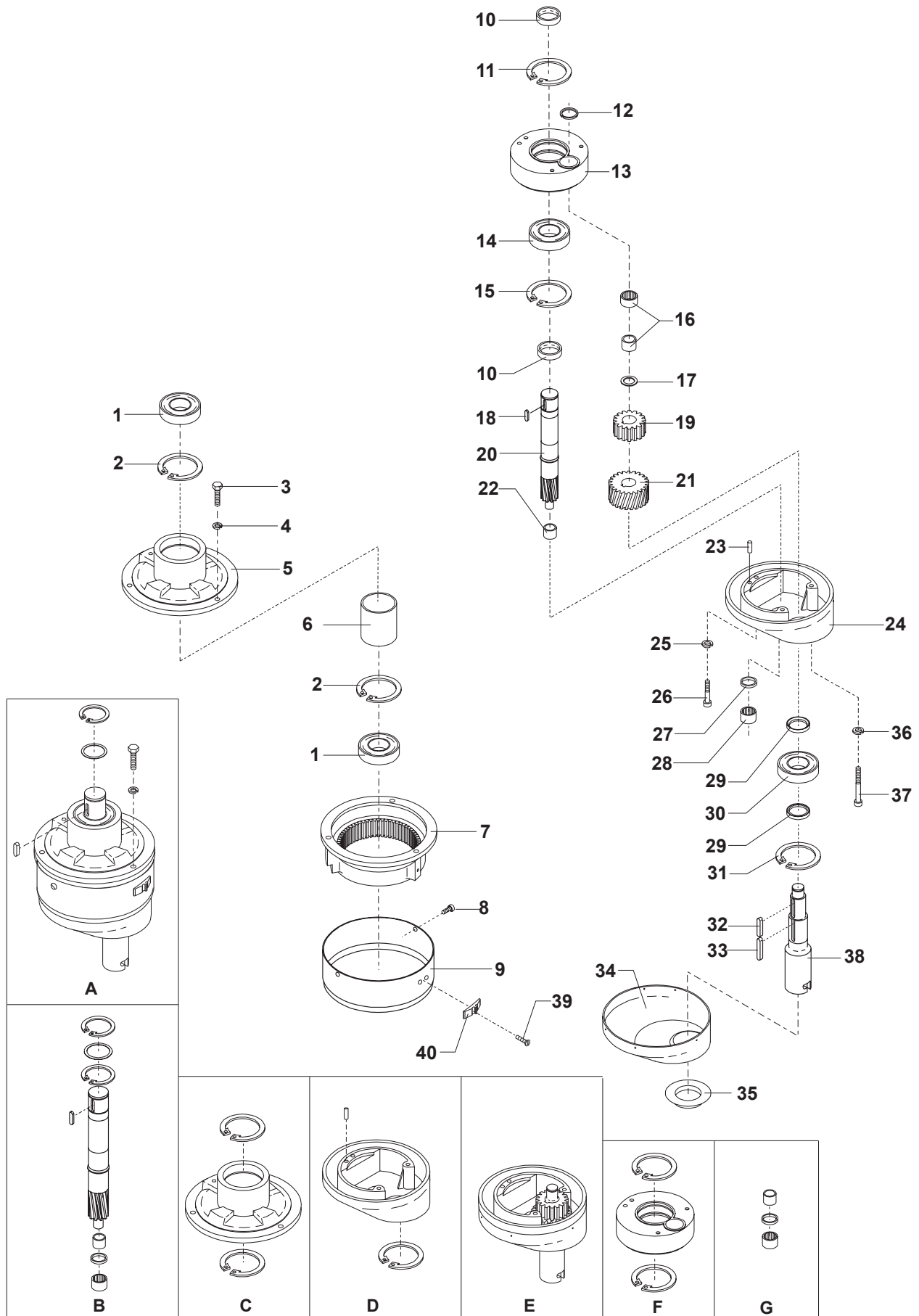
SAFETY GUARD

| ITEM | Part number | Name | Sold as |
|------|-------------------------|--|-----------------------------|
| 1 | 56CE101-22 | Safety Guard left | 56CE101-22M |
| 2 | 56CE101-21 | Safety Guard Right | 56CE101-21M |
| 3 | 35CE101-21 | Closed Safety Guard Left | 35CE101-21M |
| 4 | 35CE101-22 | Closed Safety Guard Right | 35CE101-22M |
| 5 | AE140-512 | Magnet Sensor | AE140-512M |
| 6 | STA6018 | Flat Washer $\phi 13$ - $\phi 37 \times 3$ | |
| 7 | AE140-512.1 | Nut M12 to Sensor | |
| 8 | 56G20-280 | Product Tray | |



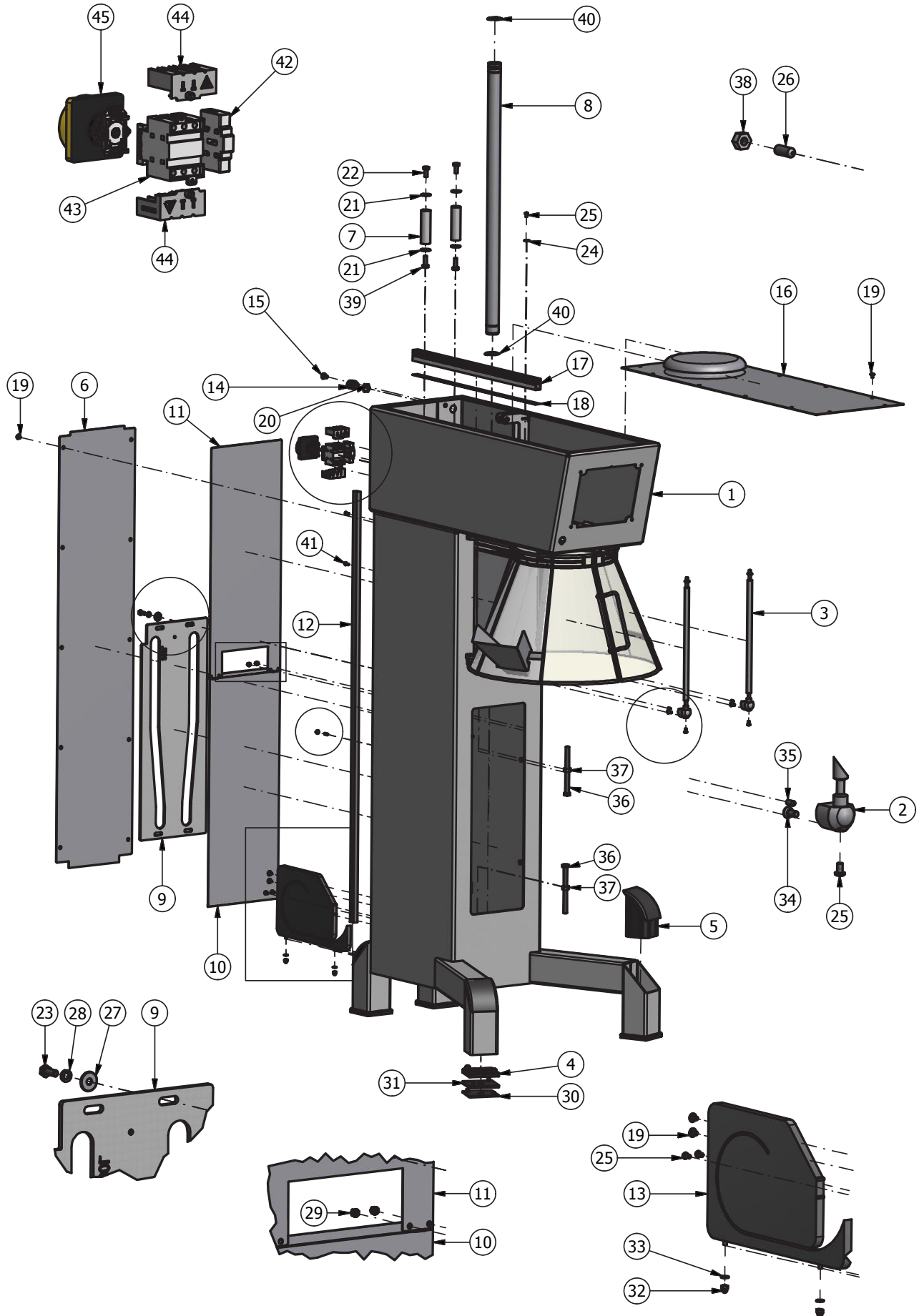
PLANETARY HEAD

| ITEM | Part number | Name | Sold as |
|------|--------------|----------------------------------|---------|
| 1 | R100-97 | Ball Bearing | |
| 2 | STA 3532 | Snap Ring | |
| 3 | STA 5346 | Bolt | |
| 4 | STA 6057 | Lock Washer | |
| 5 | R100-3Z | Main Bearing Casting | |
| 6 | R100-141 | Distance Tube | |
| 7 | R100-1 | Gear Wheel | |
| 8 | STA 5044 | Screw | |
| 9 | AR80-162H | Cap | |
| 10 | R100-37 | Spacer | |
| 11 | STA 3530 | Snap Ring | |
| 12 | STA 3478 | Snap Ring | |
| 13 | R100-36Z | Eccentric Disc | |
| 14 | R100-100 | Ball Bearing | |
| 15 | STA 3530 | Snap Ring | |
| 16 | R100-96 | Needle Bearing w/ Race | |
| 17 | R100-235 | Washer | |
| 18 | STA 2030 | Key | |
| 19 | AR140-31 | Upper Rim Pinion | |
| 20 | R100-30Z | Main Shaft | |
| 21 | R100-32.1 | Lower Rim Pinion | |
| 22 | R100-101Z | Race for Needle Bearing | |
| 23 | STA 6460 | Pin | |
| 24 | R100-2Z | Lower Planetary Head Casting | |
| 25 | STA 6057 | Lock Washer | |
| 26 | STA 5644 | Bolt | |
| 27 | R100-101Z | Seal | |
| 28 | R100-101Z | Needle Bearing w/Race | |
| 29 | R100-37 | Spacer | |
| 30 | R100-97 | Ball Bearing | |
| 31 | STA 3532 | Snap Ring | |
| 32 | STA 2034 | Key | |
| 33 | STA 2039 | Key | |
| 34 | 100-272.1 | Stainless Steel Cover | |
| 35 | R100-209 | Rubber Ring | |
| 36 | STA 6057 | Lock Washer | |
| 37 | STA 5650 | Bolt (Allen Head-under cover) | |
| 38 | AR101-33.5 | Bayonet Shaft | |
| 39 | STA5632 | Screw | |
| 40 | 56AE140-23 | Locking Bracket for Safety Guard | |
| A | WE101-2.22MO | Planetary Head Assy | |
| B | R100-30Z | Main Shaft Assy. | |
| C | R100-3Z | Main Bearing Mounted | |
| D | R100-2Z | Eccentric Head Compl. | |
| E | RN100-2.1Z | Eccentric Head Mounted | |
| F | R100-3.6Z | Eccentric Disc Mounted | |
| G | R100-101Z | Needle Bearing Compl. | |



MACHINE COLUMN

| ITEM | Part number | Name | Sold as |
|------|-----------------------------|---|----------------------------|
| 1 | CE101-22 | Machine Frame Complete Welded | |
| 2 | 56AE140-25.1 | Bottom Bracket | |
| 3 | 56AE140-25 | Shaft Safety Guard | |
| 4 | AR80-213 | Rubber Foot | |
| 5 | AR80-212 | Knee, Plug Button | |
| 6 | CE101-22.17R | Back Cover | |
| 7 | AE140-148.1 | Motor Column | |
| 8 | CE101-68.1 | Bowl Shaft | |
| 9 | CE101-71 | Guide Plate | |
| 10 | CE101-171 | NSF Plate Low | CE101-170Z |
| 11 | CE101-170M | NSF Plate Upper - Mounted | CE101-170Z |
| 12 | AE140-172.2 | Guide NSF | |
| 13 | CE101-172 | NSF-Guide Plate - Machined | |
| 14 | STA3002 | PG 13.5 Cable Inlet | |
| 15 | STA5088 | Truss Head Screw M8x16 | |
| 16 | CE101-21R | Top Cover with Ventilation 100L | |
| 17 | CE61-701 | Cable Tray | |
| 18 | STA6601 | Double Adhesive Tape | |
| 19 | STA5080 | Truss Head Screw M6x10 | |
| 20 | STA3014 | PG 13.5 Nut | |
| 21 | STA6033 | Flat Washer $\varnothing 10,5-\varnothing 30 \times 2,5$ | |
| 22 | STA5344 | Hex Cap Screw M10x25 | |
| 23 | STA5322 | Hex Cap Screw M8x20 | |
| 24 | AE140-172.3 | Flat Washer Excentric | |
| 25 | STA5689 | Pan Head Screw M6x10 | |
| 26 | STA5725 | Set Screw M6x16 | |
| 27 | STA6028 | Flat Washer $\varnothing 8,4/\varnothing 25 \times 2$ | |
| 28 | STA6056 | Helical Spring Lock Washer M8 | |
| 29 | STA5801 | Flange Nut M5 | |
| 30 | AR80-214.3 | Adjustment Plate 3mm | |
| 31 | AR80-214.6 | Adjustment Plate 6mm | |
| 32 | STA5839 | Domed Cap Nut M6 | |
| 33 | STA6008 | Flat Washer $\varnothing 6,4/\varnothing 12,5 \times 1,6 \text{mm}$ | |
| 34 | STA5624 | Hexagon Socket M6x12 | |
| 35 | STA5724 | Set Screw M5x10 | |
| 36 | STA5368 | Hex Cap Screw M12x20 | |
| 37 | STA5811 | Hexagon Nut M12 | |
| 38 | STA5819 | Hexagon Nut M6 | |
| 39 | STA5345 | Hex Cap Screw M10x30 | |
| 40 | STA3462 | Retaining Ring AK40 | |
| 41 | STA5026 | Screw M4x8 | |
| 42 | AE61-251.1 | Ground Clamp 194E-E32-PE | |
| 43 | AE61-251.2 | Switch 194E-E32-1753 | |
| 44 | AE61-251.3 | Cover 194E-25-C4 | |
| 45 | AE61-251 | Switch Handle | |

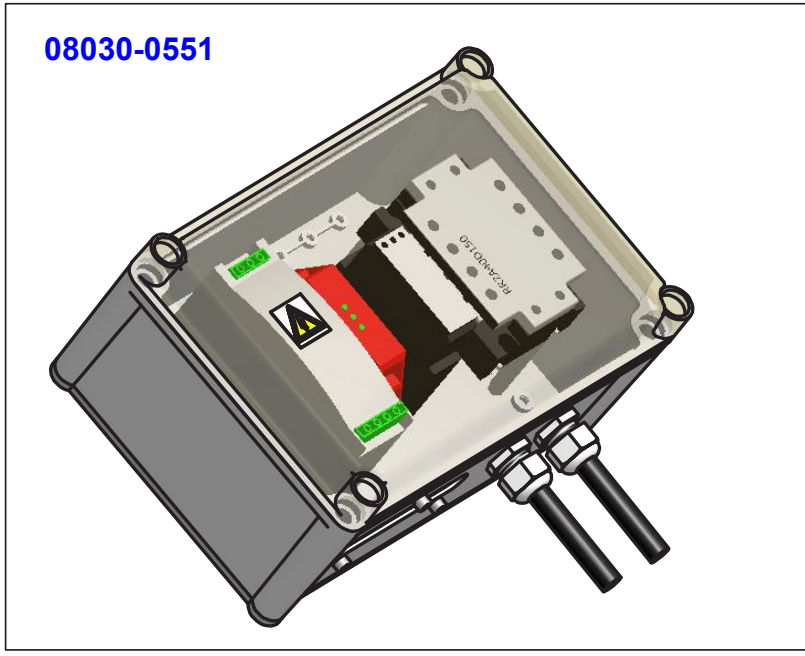
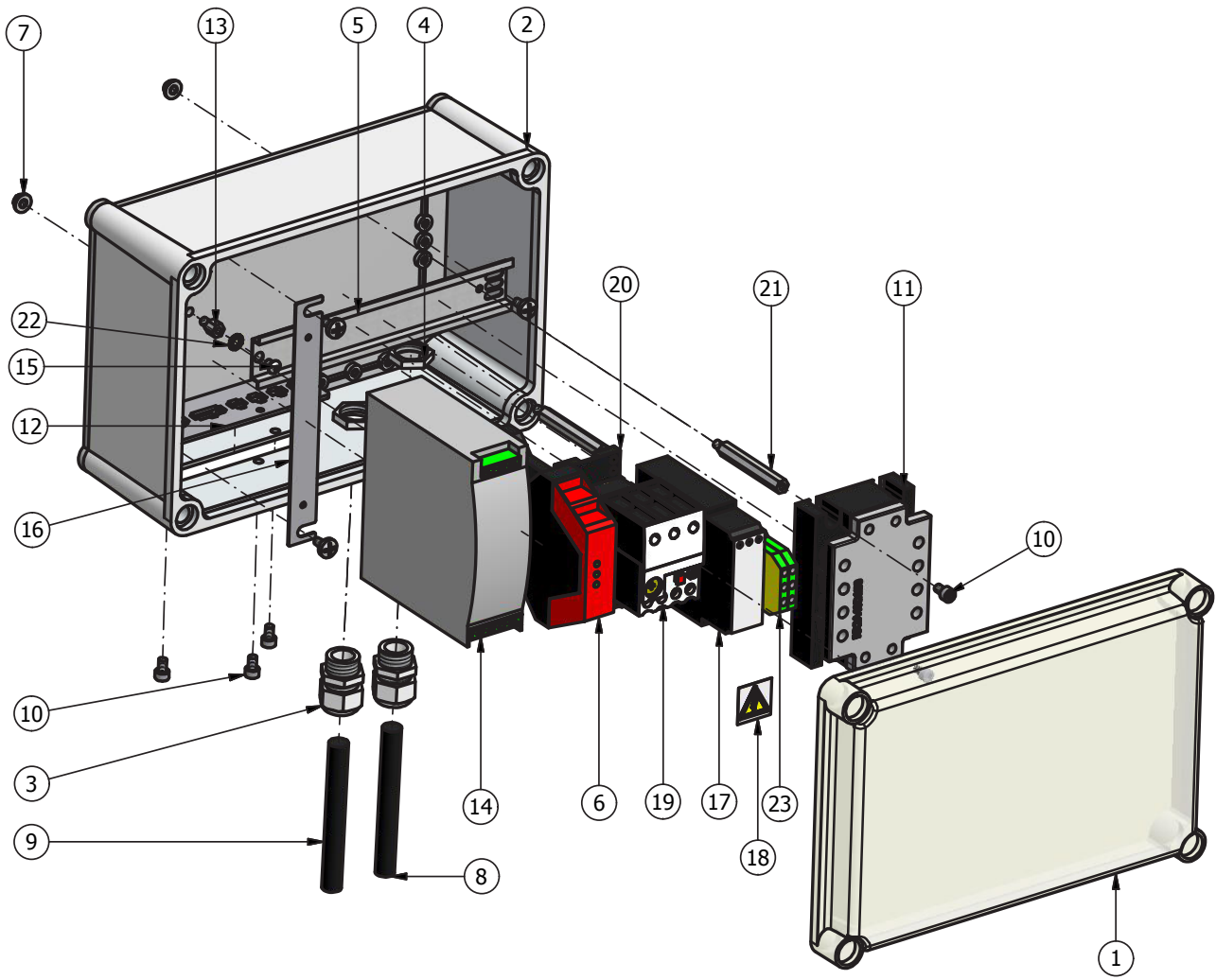


ELECTRIC-BOX

| ITEM | Part number | Name | Sold as |
|------|------------------------------|---|------------------------------|
| 1 | WE140-418.1 | Transparent Lid | |
| 2 | WE140-418 | Bottom EI-Box | |
| 3 | STA3002 | PG 13.5 Cable Inlet | |
| 4 | STA3014 | PG 13.5 Nut | |
| 5 | AE140-415 | DIN Rail | |
| 6 | AE140-420 | Safety Relay | |
| 7 | STA5897 | Flange Nut M5 | |
| 8 | WE61-194.4M | Elbox Cable Frequency Converter | |
| 9 | WE140-194.5M | Elbox Cable Actuator | |
| 10 | STA5720 | Socket Head Screw M5x8 | |
| 11 | AE140-420.3 | Solid State Relay | AE140-420.3Z |
| 12 | AE140-541 | Bracket Molex Plugs | |
| 13 | STA6078 | Hexa Distance Piece NV8x8-M5 | |
| 14 | CE61-414 | Power Supply | |
| 15 | STA5727 | Socket Head Cap Screw M5x6 | |
| 16 | AE140-418.2 | Bracket Power Supply | |
| 17 | CE61-420.4 | Phase Sequence Relay | |
| 18 | RN20-245.21 | High Voltage Logo | |
| 19 | CE101-420.4 | Overload Relay | |
| 20 | AE140-420.5 | Socket Overload Relay ZB32-XEZ | |
| 21 | STA6653 | Hexa Distance Piece NV8x16-M5 | |
| 22 | STA6084 | Secure Disc $\varnothing 5,5/\varnothing 10 \times 1$ | |
| 23 | AR30-457 | Screw Terminal Board | |

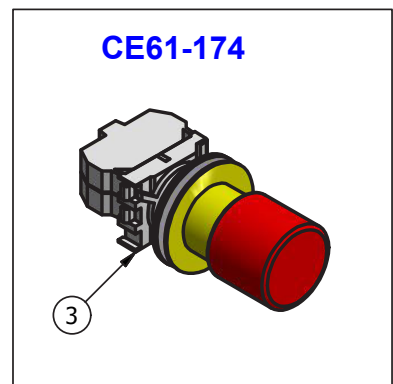
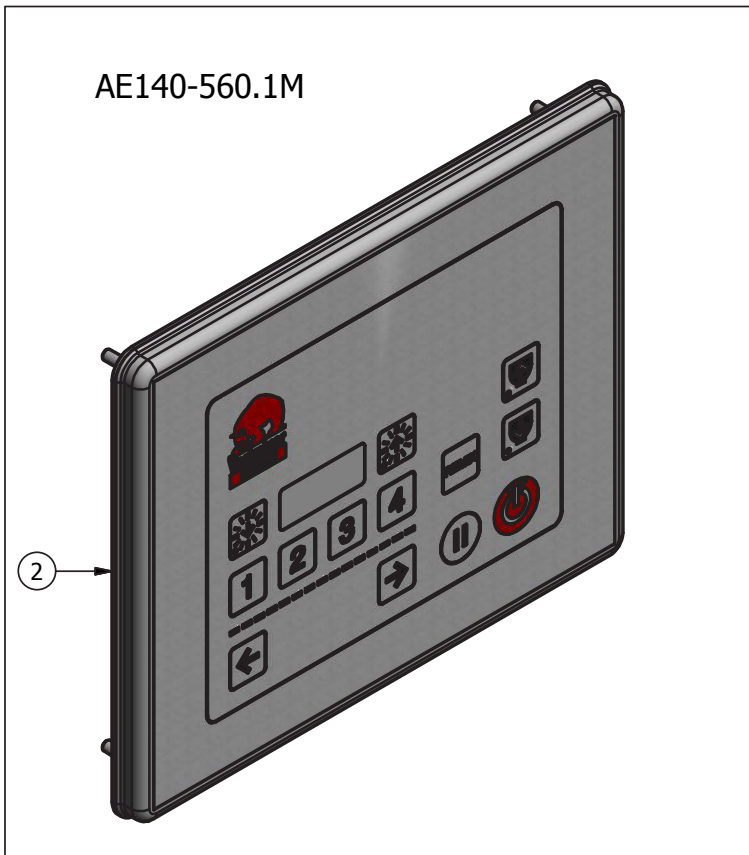
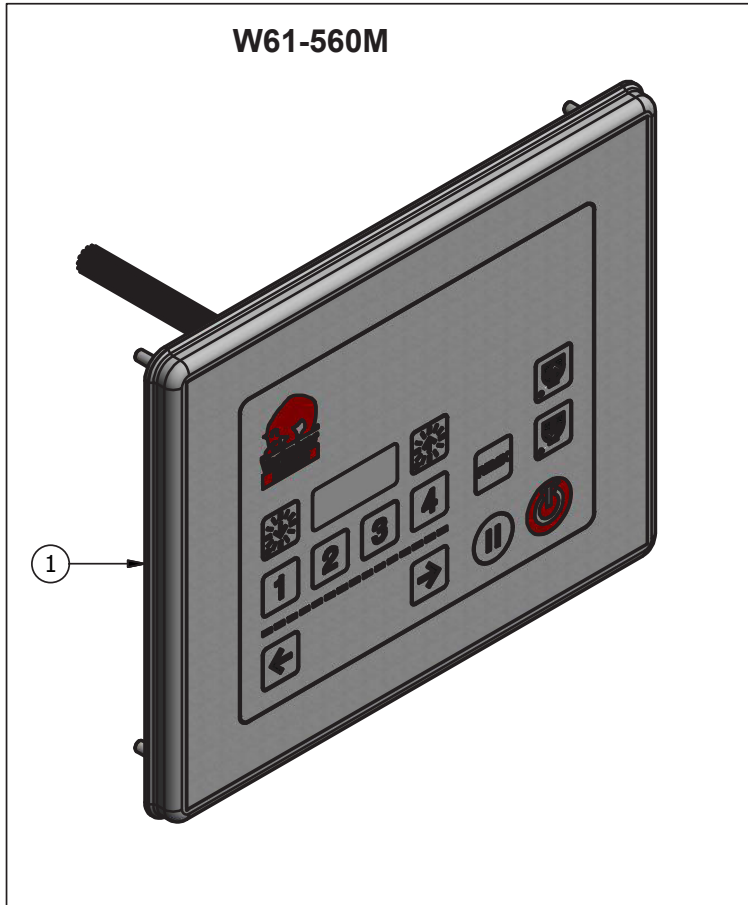
Not shown cables in elbox

| Part number | Name |
|----------------------|----------------------------------|
| AE140-194.6M | Cable Black Elbox Mounted |
| AE140-194.7M | Earth Cable For Elbox |
| WE61-194.8M | Green/black Cable For Elbox VL4 |
| WE61-194.9M | Yellow/black Cable For Elbox VL4 |
| R20-196.10 | Cable 0,75 L = 65mm Black |
| WE140-194.11M | Colored Elbox Cables Complete |



FRONT PANEL

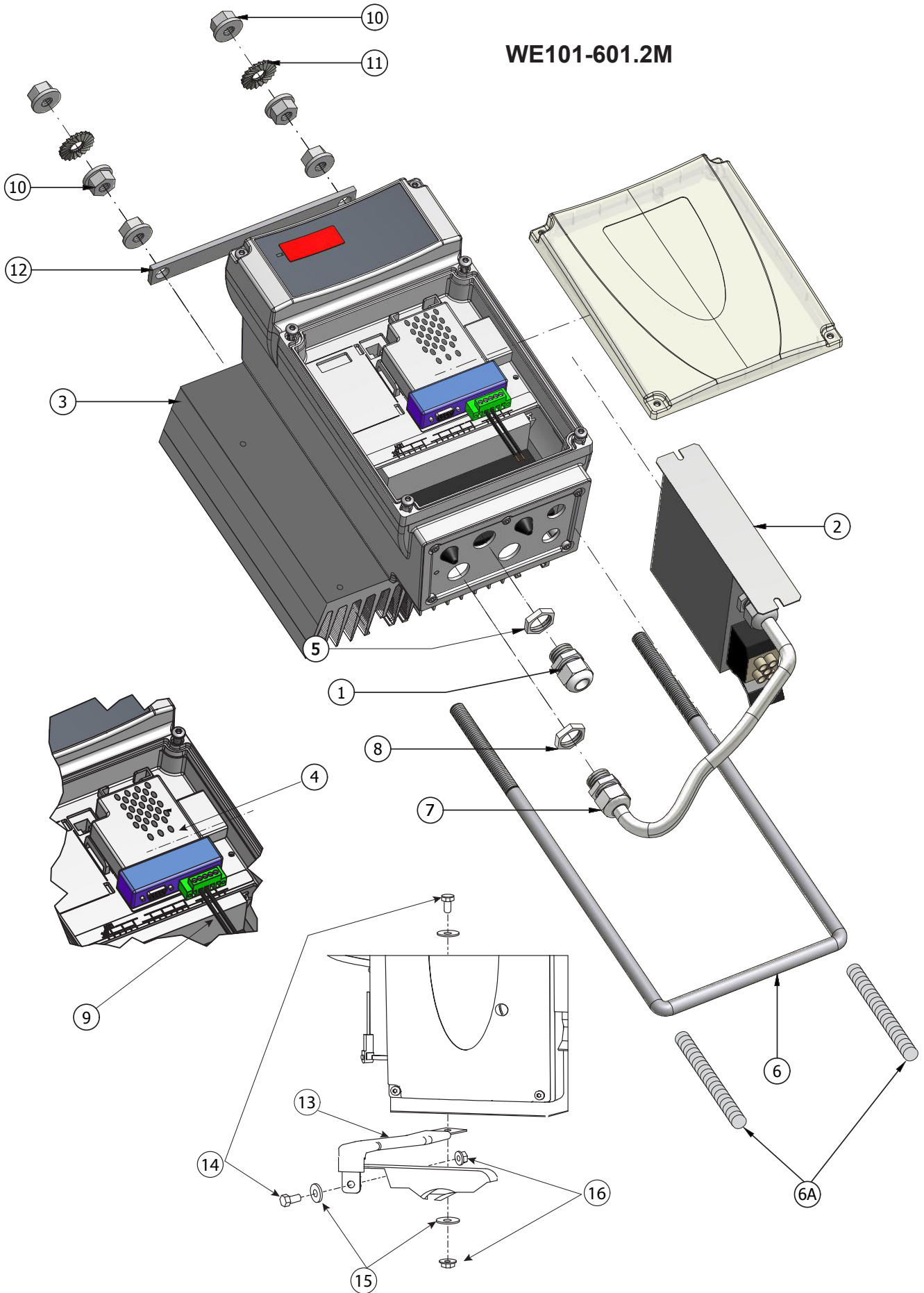
| ITEM | Part number | Name | Sold as |
|-------------|------------------------------|--------------------------------------|------------------------------|
| 1 | WE61-560M | Front Panel Complete with Main Cable | WE61-560M |
| 2 | AE140-560.1M | Front Panel Complete | AE140-560.1M |
| 3 | CE61-174 | Emergency Stop Complete | CE61-174 |



FREQUENCY CONVERTER

| ITEM | Part number | Name | Sold as |
|------------------|------------------------------|---|------------------------------|
| 1 | STA3002 | PG 13.5 Cable Inlet | |
| 2 | AE140-601.1 | Filter For Frequency Converter | |
| 3 | CE101-601 | Frequency Converter 208V, 4KW | WE101-601.2Z |
| 4 | AE140-601.5 | PX-Modbus to Frequency Converter | AE140-601.5M |
| 5 | STA3014 | PG 13.5 Nut | |
| 6 | CE101-601.3 | Pin Converter Bracket, 480V | |
| 6A | CE101-601.7 | Pin Converter Bracket, 208V | |
| 7 | STA3109 | PG 13,5 EMC Cable Inlet Brass | |
| 8 | STA3110 | PG 13.5 EMC Nut Brass | |
| 9 | R20-196.10 | Cable Black 65mm | |
| 10 | STA5802 | Hexagon Nut M12 | |
| 11 | STA6087 | Serrated Lock Washers Double M12 | |
| 12 | CE101-601.4 | Bracket Converter | |
| 13 | STA3172 | CU Flex Bar FB25352 | |
| 14 | STA5451 | Hex Cap Screw M8x16 | |
| 15 | STA6028 | Flat Washer $\varnothing 8,4/\varnothing 25 \times 2$ | |
| 16 | STA5895 | Hex Flange Nut M8 | |
| Not shown | WE101-601.12 | X Press Key Frequency Converter, 208 V 4 KW | |

WE101-601.2M



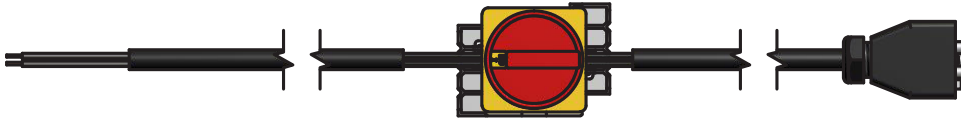
CABLES

| Part number | Name | Sold as |
|------------------------------|---|-----------------------------|
| WE61-194.1M | Main Cable | |
| WE140-194.1M | Actuator cable | |
| WE61-194.2M | Shielded Motor Cable 4x2,5mm ² | |
| WE61-194.3M | PTO Cable | |
| WE61-194.4M | Elbox Cable Frequency Converter | |
| WE140-194.5M | Elbox Cable Actuator | |
| CE61-501.7M | Bowl Arm Sensor Mounted | CE61-501.7Z |
| R20E-410.4 | Molex Plug | |
| AE140-512M | Magnet Sensors | |
| WE61-542.5 | Wire Harness | |
| AE140-601.8 | Ferrite Clamp | |

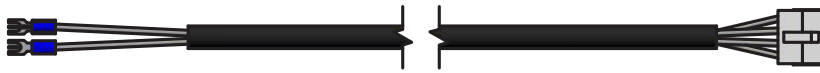
| | |
|--------------------|---------------------------------------|
| AE140-601.8 | Mounted on WE61-542.5 |
| R20E-410.4 | Mounted on CE61-501.5M |

| Connections of Cable ends | | | | |
|----------------------------|-------------------|------------------------------|---------------------|------------------------------|
| | City | WE61-194.1M | EMC filter | AE140-601.1 |
| WE61-86.2M | Actuator | WE140-194.1M | Elbox Cable | WE140-194.5M |
| WE61-85.2 | Motor | WE61-194.2M | Frequency Converter | CE61-601.2M |
| AE140-542.5 | Multi Cable | WE61-194.3M | Motor | WE61-85.2 |
| 08030-0551 | Elbox | WE61-194.4M | Frequency Converter | CE61-601.2M |
| 08030-0551 | Elbox | WE140-194.5M | Actuator Cable | AE140-194.1M |
| WE61-542.5 | Wire Harness | CE61-501.5M | Bowl Arm | AE61-23/24Z |
| 08030-0551 | Elbox | AE140-512M | Machine Frame | CE61-22 |
| | See other drawing | WE61-542.5 | See other drawing | |

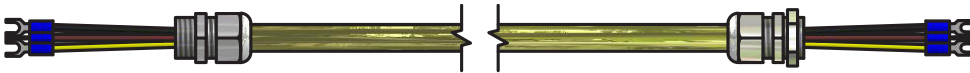
WE61-194.1M



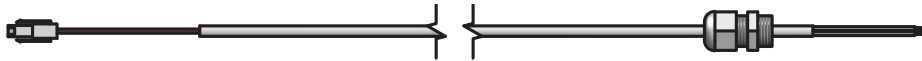
WE140-194.1M



WE61-194.2M



WE61-194.3M



WE61-194.4M



WE140-194.5M



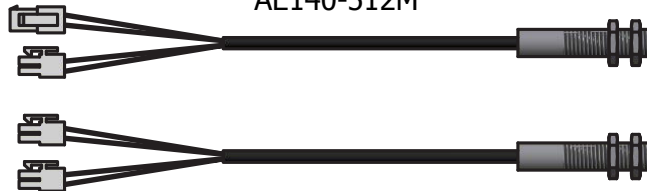
R20E-410.4



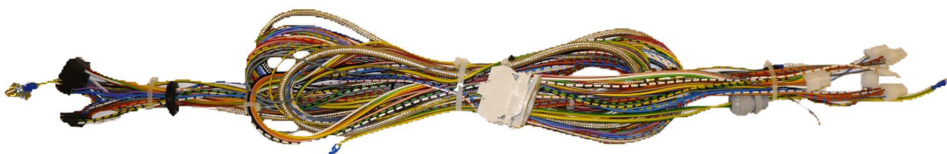
CE61-501.7M



AE140-512M



WE61-542.5



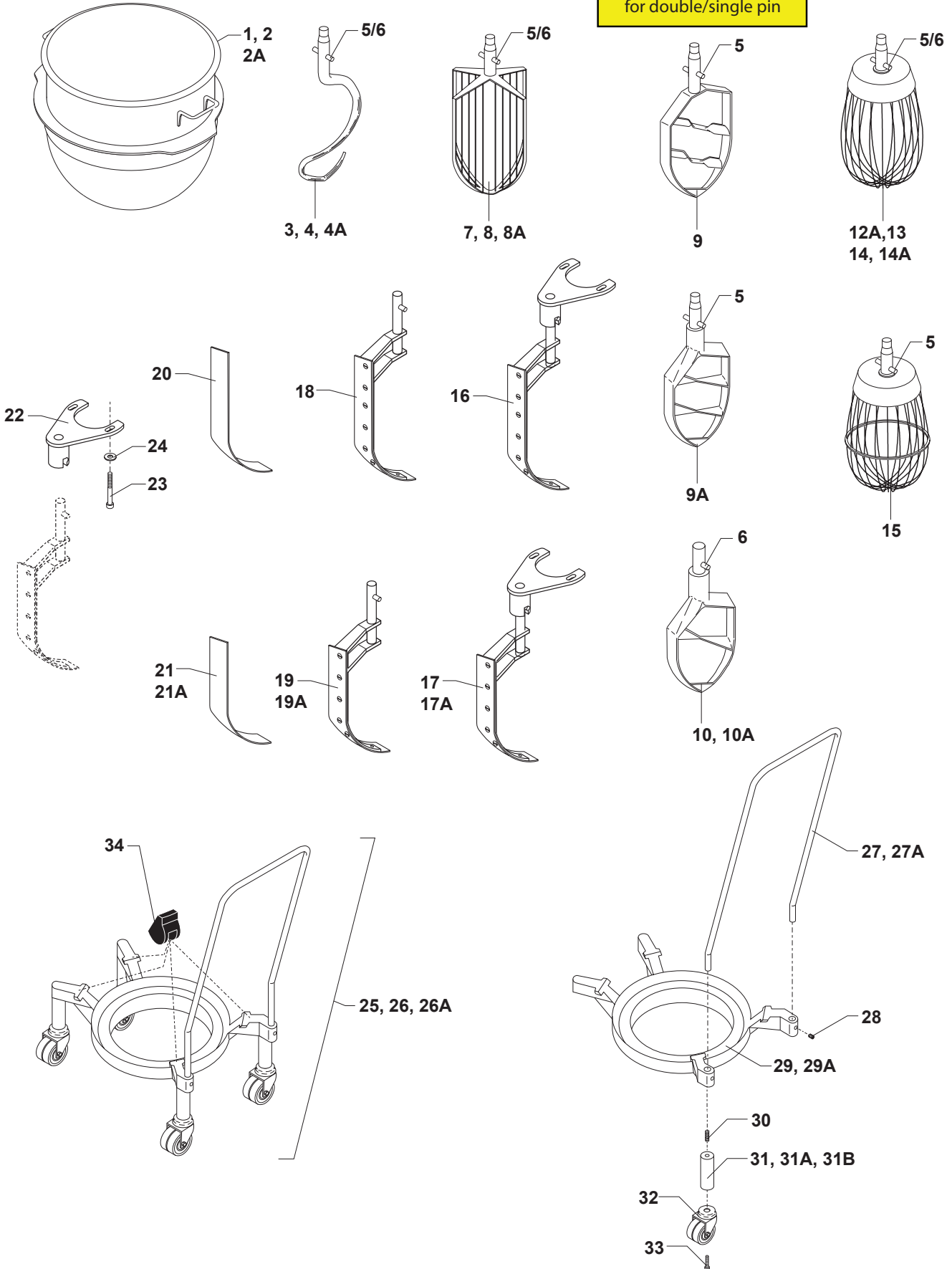
AE140-601.8



ACCESSORIES

| ITEM | Part number | Name | Sold as |
|------|------------------------------|--------------------------------------|-----------------------------|
| 1 | RN100-75M | Stainless Steel Bowl (Standard) | VBOWL-100 |
| 2 | WN100-75AM | Stainless Steel Bowl (Downsize 60) | VBOWL60-100 |
| 2A | WN100-75BM | Stainless Steel Bowl (Downsize 40) | VBOWL40-100 |
| 3 | RN100-78.5M | Dough Hook (Double Pin) | VHOOK-100 |
| 4 | 213/60N | Dough Hook (Downsize 60) | VHOOK60-100 |
| 4A | RN100-78.5BM | Dough Hook (Downsize 40, Double Pin) | VHOOK40-100 |
| 5 | R30-79 | Tool Pin (Double) | |
| 6 | STA 6263 | Tool Pin | |
| 7 | 14RN100.5M | Wing Whip (Double Pin) | VWINGWHIP-100 |
| 8 | N/A | Wing Whip (Downsize 60) | |
| 8A | N/A | Wing Whip (Downsize 40) | |
| 9 | RN100-27.6M | SS Flat Beater (double pin) | VBEAT-100SS |
| 9A | RN100-27.5M | Alu. Flat Beater (double pin) | VBEAT-100A |
| 10 | RN100-27AM | Flat Beater (Downsize 60, Aluminum) | VBEAT60-100 |
| 10A | RN100-27.5BM | Flat Beater (Downsize 40, Aluminum) | VBEAT-40-100 |
| 11 | N/A | Wire Whip (Heavy Duty) | |
| 12 | N/A | Wire Whip (Heavy Duty, Downsize 60) | |
| 12A | N/A | Wire Whip (Heavy Duty, Downsize 40) | |
| 13 | RN100-28.5M | S/S Wire Whip (double pin) | VWHIP-100 |
| 14 | RN100-28.5AMS | S/S Wire Whip (Downsize 60) | VWHIP60-100 |
| 14A | RN100-28.5BMS | S/S Wire Whip (Downsize 40) | VWHIP40-100 |
| 15 | 44RN100.5FM | Wire Whip Reinforced (double pin) | |
| 16 | 42RN100P | Bowl Scraper | VSCRIP-100 |
| 17 | 42RN100AP | Bowl Scaper(downsize 60) | VSCRIP60-100 |
| 17A | 42RN100BP | Bowl Scaper(downsize 40) | VSCRIP40-100 |
| 18 | 42RN100-202 | Holder w/Blade | |
| 19 | N/A | Holder w/Blade (downsize 60) | |
| 19A | 42RN100B-202 | Holder w/Blade (downsize 40) | VSCRIP40-80 |
| 20 | 42RN100-204 | Nylon Blade | |
| 21 | N/A | Nylon Blade (downsize 60) | |
| 21A | 42R40-204 | Nylon Blade (downsize 40) | |
| 22 | 42RN100-101M | Scraper Holder | |
| 23 | STA 6552 | Screw | |
| 24 | STA 6029 | Washer | |
| 25 | 22WE100 | Bowl Truck | |
| 26 | 22WN100A | Bowl Truck (Downsize Bowl 60) | |
| 26A | 22WN100B | Bowl Truck (Downsize Bowl 40) | |
| 27 | 22R271 | Bowl Truck Handle | |
| 27A | 22R277 | Bowl Truck Handle (Downsize Bowl) | |
| 28 | STA 5675 | Set Screw | |
| 29 | 22R100-40 | Bowl Truck Frame | |
| 29A | 22R20-40 | Bowl Truck Frame (Downsize Bowl) | |
| 30 | STA 5608 | Screw | |
| 31 | 22R140.12 | Spacer 70mm (For Standard Bowl) | |
| 31A | 22R140.1-8W | Spacer (For Downsize Bowl 60) | |
| 31B | 22R140.1-9W | Spacer (For Downsize Bowl 40) | |
| 32 | 22R150-520 | Castor, Dual Wheel Bowl Truck | |
| 33 | STA 5131 | Bolt | |
| 34 | 30-206 | Rubber Block (4 per bowl truck) | |

5/6 please see Description for double/single pin





Varimixer

Varimixer
2215 East River Road
Dayton, OH 45439, US
P: (800) 222-1138
E: mixer@varimixer.com
www.varimixerusa.com