

ERGO

Spare parts manual



ERGO150



Varimixer

Varimixer
2215 East River Road
Dayton, OH 45439, US

P: (800) 222-1138
E: mixer@varimixer.com
www.varimixerusa.com

EN

DRN: 240150-1136
2020 11 17

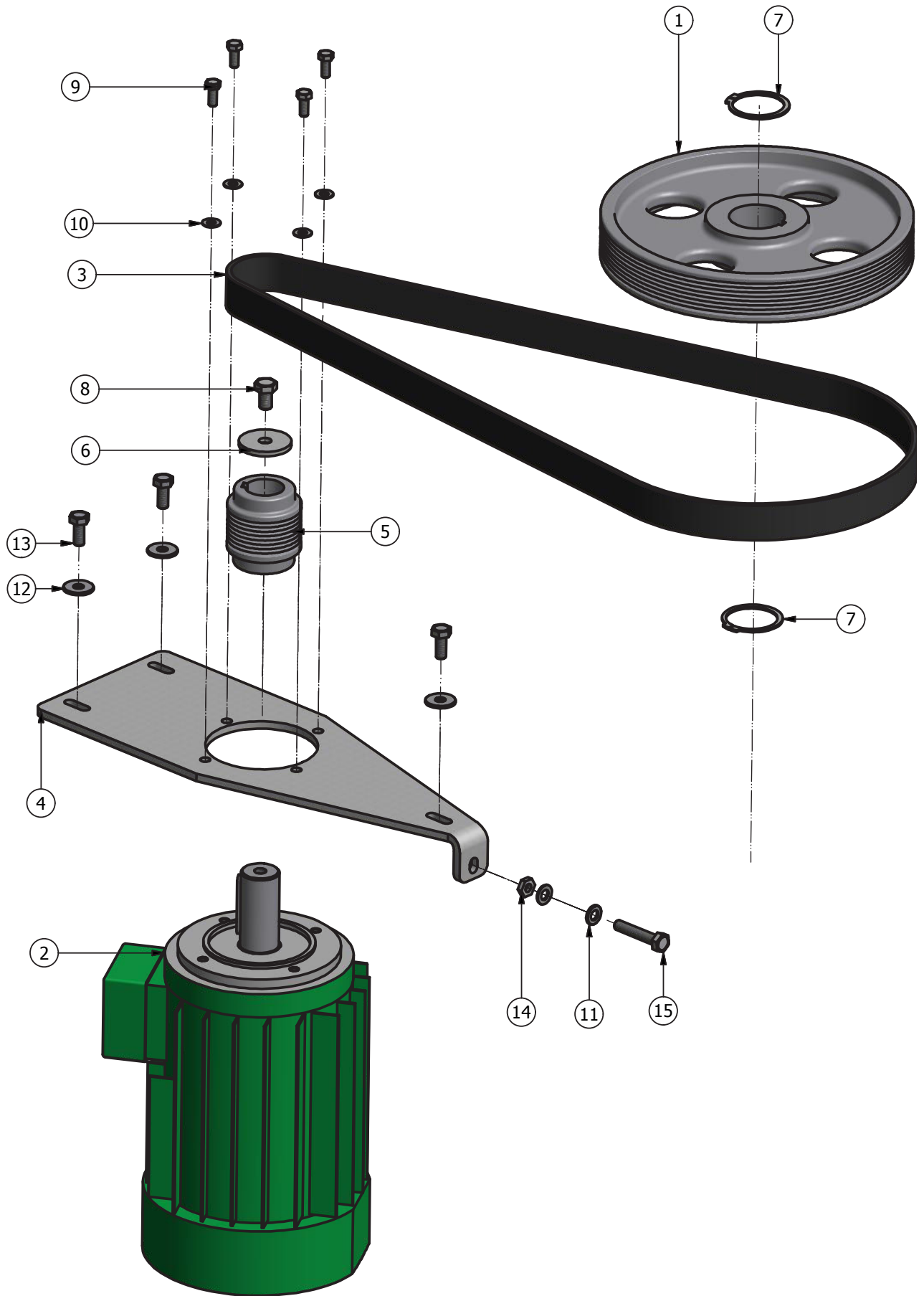
Mixer Spare Parts

TABLE OF CONTENTS

TRANSMISSION.....	2
LIFTING SYSTEM	4
BOWL ARMS.....	6
SAFETY GUARD	8
PLANETARY HEAD.....	10
MACHINE COLUMN.....	12
ELECTRIC-BOX.....	14
FRONT PANEL.....	16
FREQUENCY CONVERTER	18
CABLES.....	20
ACCESSORIES	22

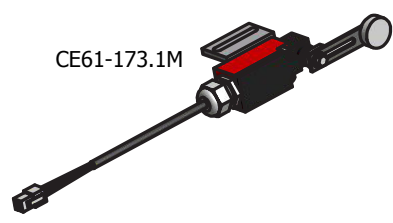
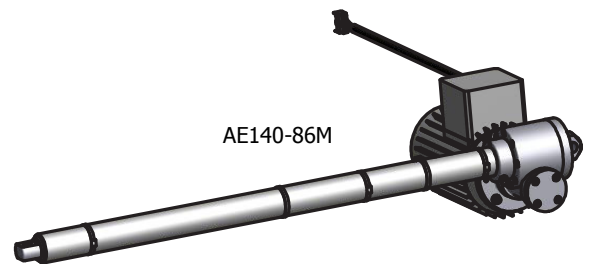
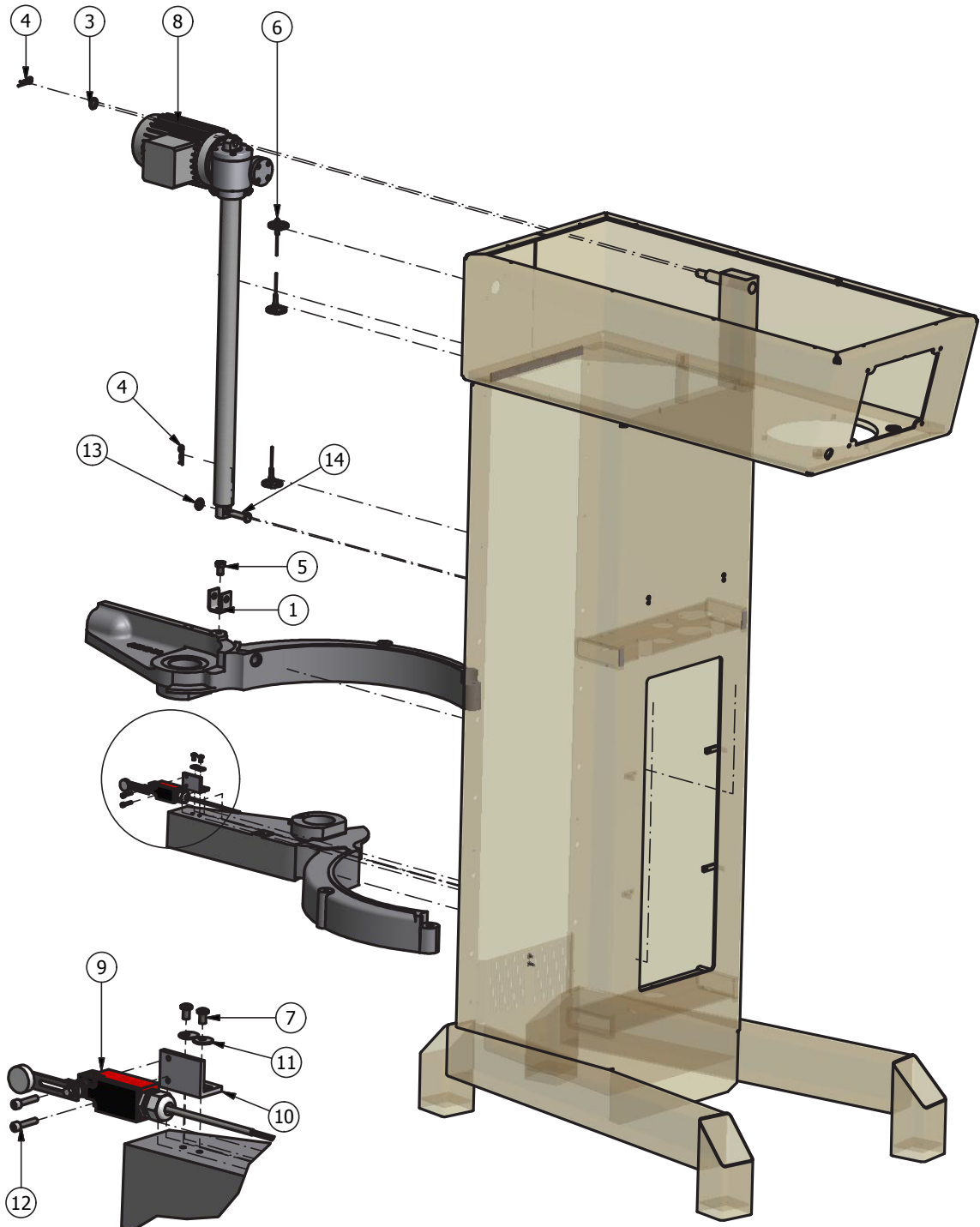
TRANSMISSION

ITEM	Part number	Name	Sold as
1	AE140-129	Belt Wheel, Planetary Gear	
2	AE140-85	Motor 5,5kw	
3	AE140-90	Micro V-Rem	
4	AE140-61	Motor Plate	
5	AE140-128	Belt Wheel Motor	
6	AE140-85.01	Flat Washer	
7	STA3419	Circlip A55	
8	STA5347	Hex Cap Screw M12x20	
9	STA5322	Hex Cap Screw M8x20	
10	STA6020	Flat Washer $\varnothing 8,4/\varnothing 18 \times 1,25$	
11	STA6010	Flat Washer $\varnothing 10,5-\varnothing 20 \times 2$	
12	STA6033	Flat Washer $\varnothing 10,5-\varnothing 30 \times 2,5$	
13	STA5344	Hex Cap Screw M10x25	
14	STA5825	Hexagon Nut M10	
15	STA5348	Hex Cap Screw M10x55	



LIFTING SYSTEM

ITEM	Part number	Name	Sold as
1	AR140-116	Bracket Lift Motor	
3	STA6035	Flat Washer \varnothing 13- \varnothing 24x2,5	
4	STA6205	Spring Cotters for Bolt \varnothing 2,5	
5	STA5347	Hex Cap Screw M12x20	
6	AE140-86.1M	Reed Contact	
7	STA5689	Pan Head Screw M6x10	
8	AE140-86	Actuator ERGO 100/140L	WE140-86M
9	WE61-173.1M	UL-Micro Mont. ERGO 60-140L	WE61-173.1M
10	AE61-173.15	CE Micro Bracket	
11	AE140-172.3	Flat Washer Eccentric	
12	STA5627	Socket Head Screw M5x25	
13	STA6011	Flat Washer \varnothing 13- \varnothing 24x2,5	
14	STA6285	Clevis Pin \varnothing 12 x 50 FZB	

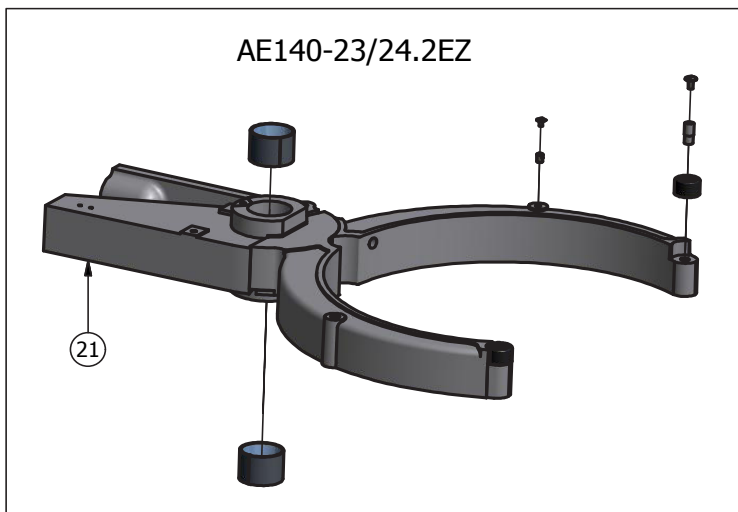
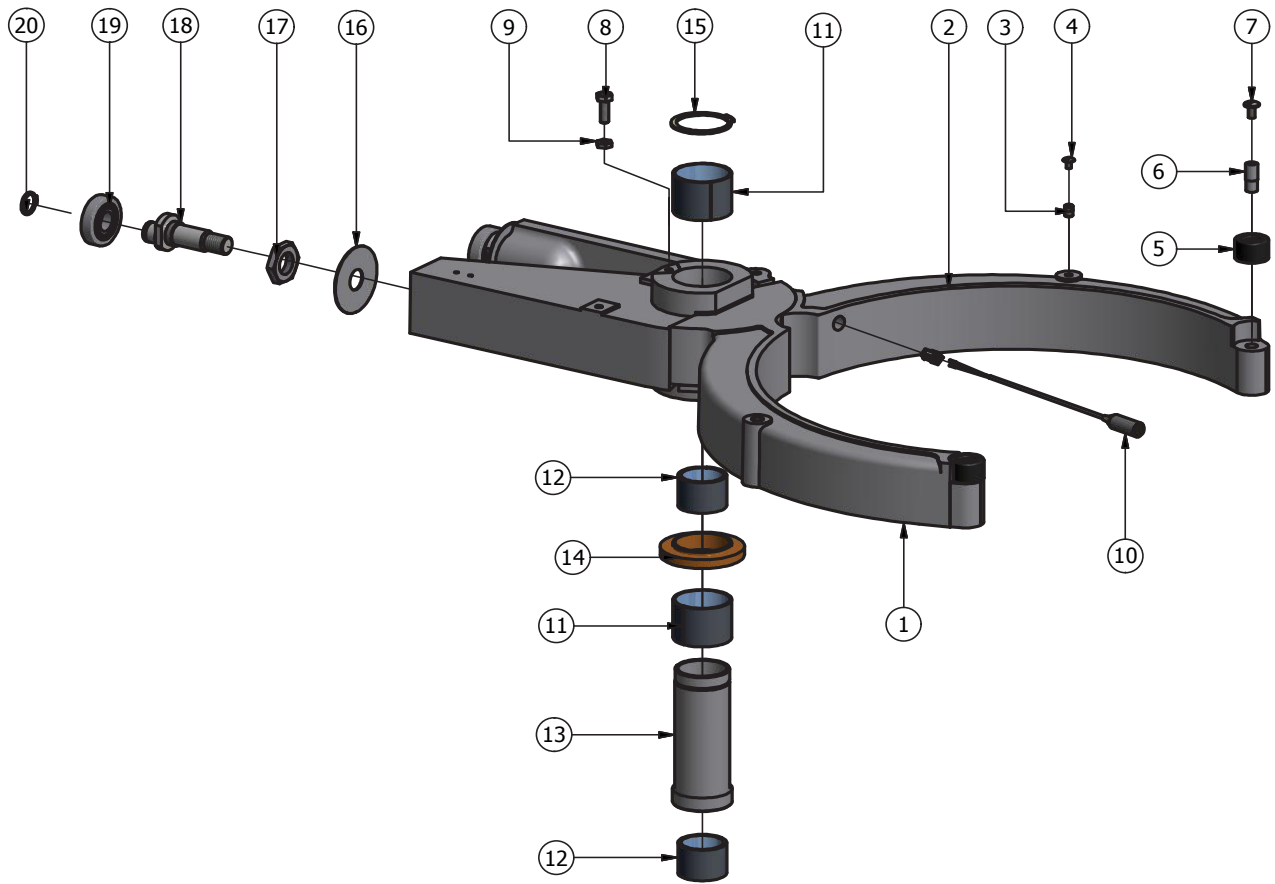


BOWL ARMS

ITEM	Part number	Name	Sold as
1	AE140-23EM	Bowl Arm Left	AE140-23/24.2EZ
2	AE140-24.2EM	Bowl Arm Right	AE140-23/24.2EZ
3	STA6582	Drill-Coil M6/M10	
4	STA5080	Truss Head Screw M6x10	
5	AR31-128	Bowl Roller	
6	AR31-127	Bowl Roller Shaft	
7	STA5088	Truss Head Screw M8x16	
8	STA5345	Hex Cap Screw M10x30	
9	STA5825	Hexagon Nut M10	
10	AE140-501.7M	Bowl Arm ø18 Sensor Mounted	AE140-501.7Z
11	STA2542	Plain Bearing	
12	STA2504	Plain Bearing	
13	AE140-69.2	Sliding Bush	
14	AE140-69.3	Sliding Disc Bronze	
15	STA3429	Circlip A65	
16	AR140-69.1	Lock Plate	
17	AR140-70	Nut M30x2	
18	AR140-69	Eccentric Shaft	AR140-69M
19	361205R	Ball Ring	
20	STA3467	Retaining Ring AS25	
21		Bowl Arms with Rolls Complete	AE140-23/24.2EZ

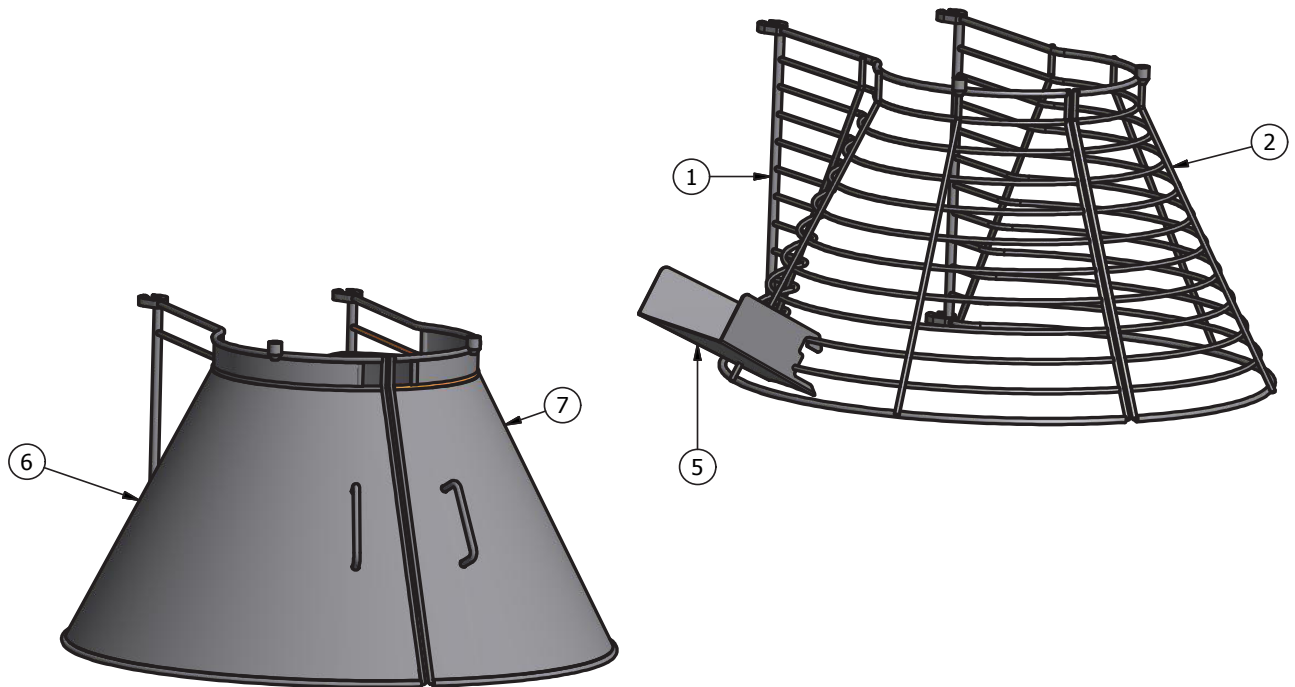
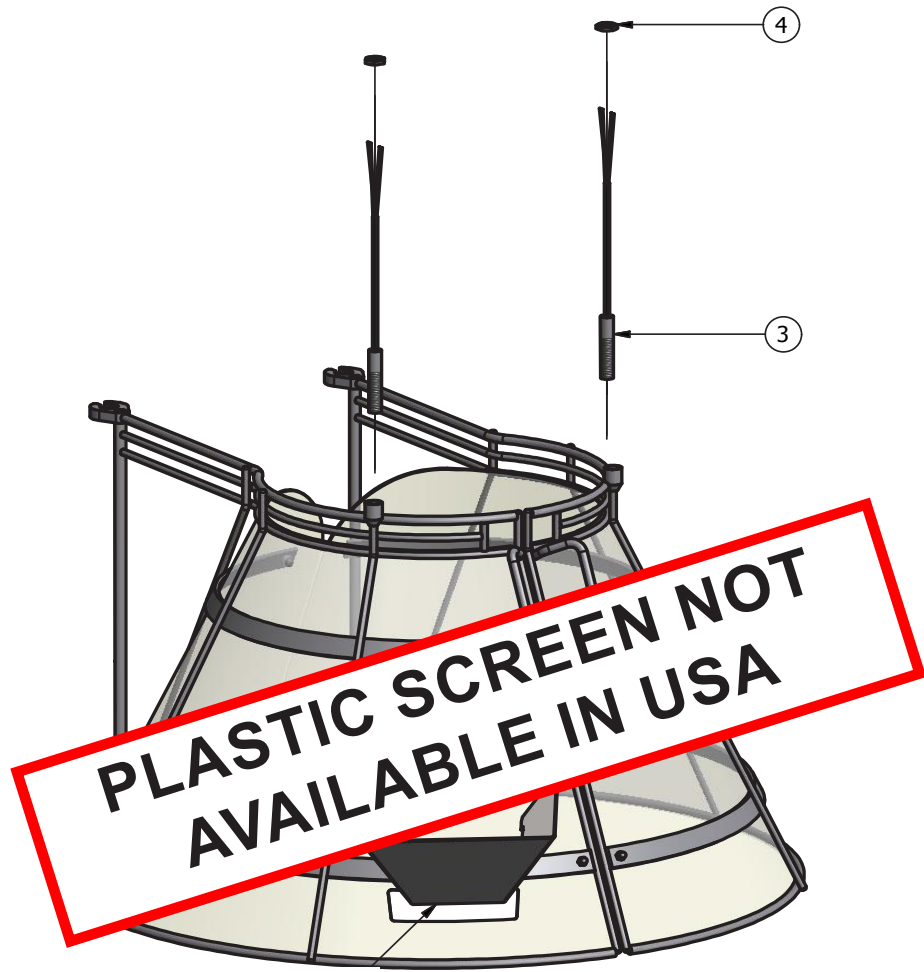
AR140-69M:

AR140-69	Eccentric Shaft
361205R	Ball Ring
STA3467	Retaining Ring AS25



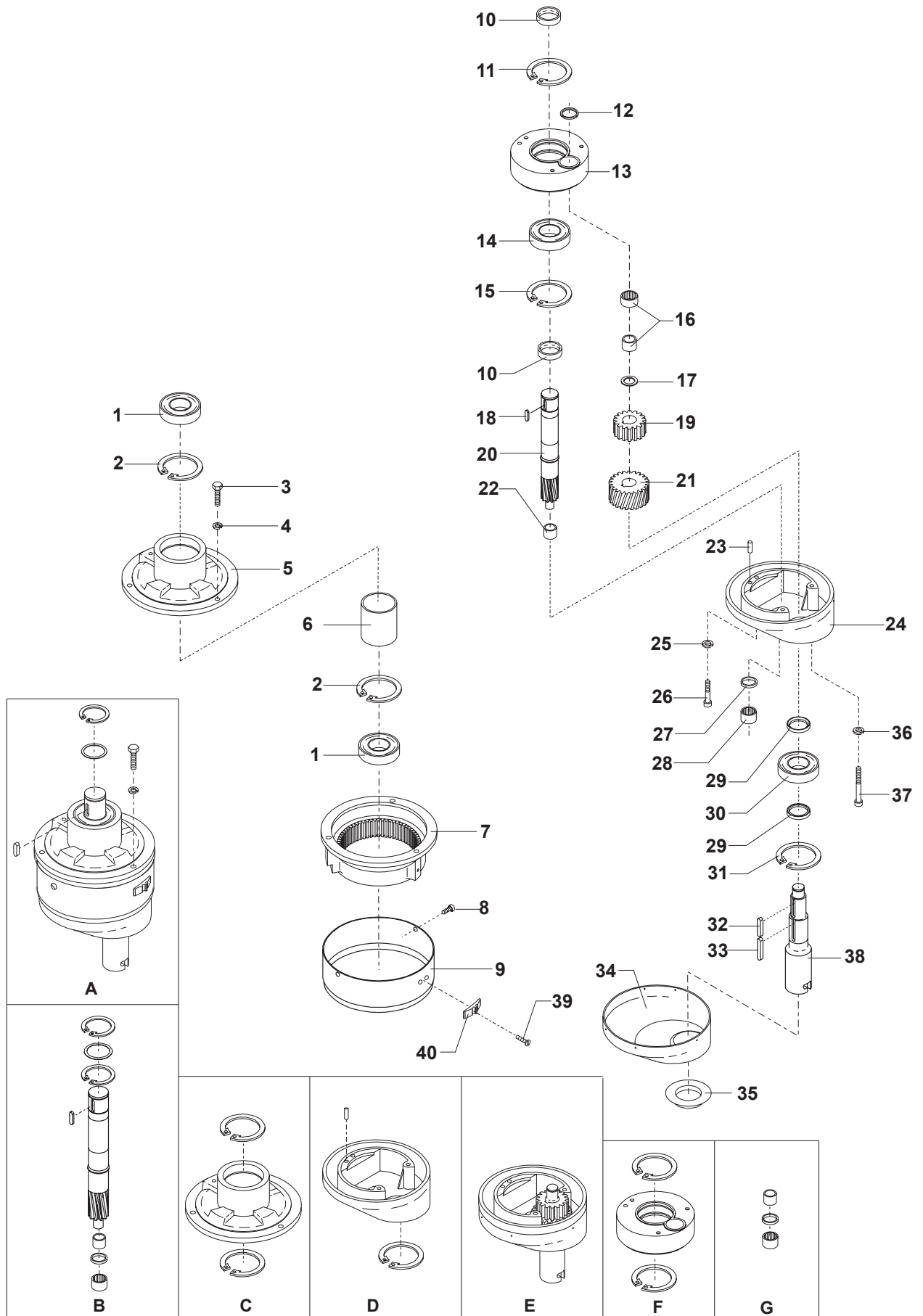
SAFETY GUARD

ITEM	Part number	Name	Sold as
1	56AE140-22	Safety Rear Part	56AE140-22M
2	56AE140-21	Safety Rear Part	56AE140-21M
3	AE140-512	Magnet Sensor	AE140-512M
4	AE140-512.1	Nut M12 to Sensor	AE140-512M
5	56G20-280	Product Tray	
6	35AE140-21.1	Closed Safety Guard Left	35 AE140-21.1M
7	35AE140-22.1	Closed Safety Guard Right	35 AE140-22.1M



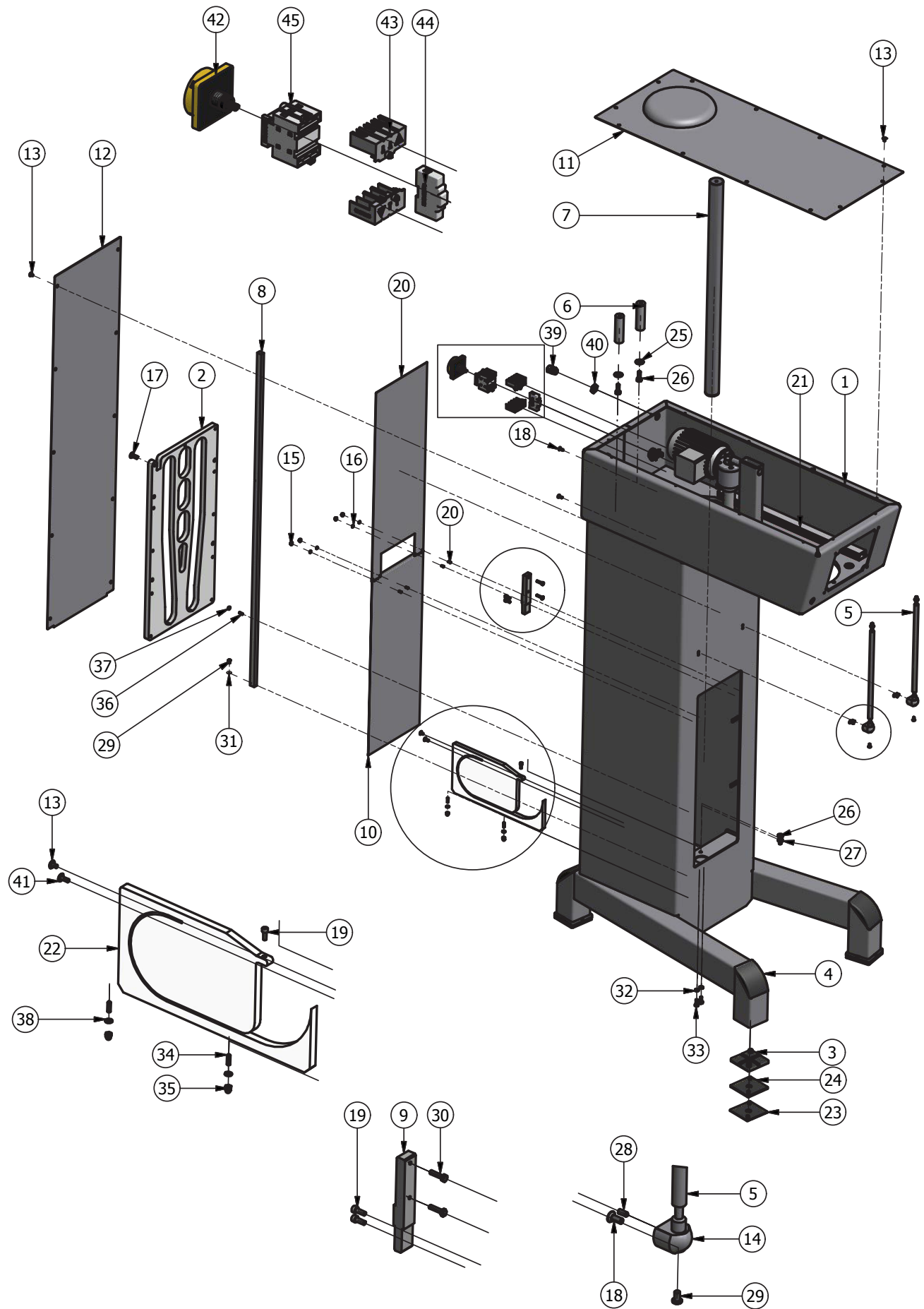
PLANETARY HEAD

ITEM	Part number	Name	Sold as
1	R100-97	Ball Bearing	
2	STA 3532	Snap Ring	
3	STA 5340	Bolt	
4	STA 6057	Lock Washer	
5	R100-32	Main Bearing Casting	
6	R100-141	Distance Tube	
7	R100-1	Gear Wheel	
8	STA 5044	Screw	
9	AR80-162H	Cap	
10	R100-37	Spacer	
11	STA 3530	Snap Ring	
12	STA 3478	Snap Ring	
13	R100-36Z	Eccentric Disc	
14	R100-100	Ball Bearing	
15	STA 3530	Snap Ring	
16	R100-96	Needle Bearing w/ Race	
17	R100-235	Washer	
18	STA 2030	Key	
19	AR100-31	Upper Rim Pinion	
20	R100-30Z	Main Shaft	
21	AR140-32	Lower Rim Pinion	
22	R100-101Z	Race for Needle Bearing	
23	STA 6460	Pin	
24	R100-2Z	Lower Planetary Head Casting	
25	STA 6057	Lock Washer	
26	STA 5644	Bolt	
27	R100-101Z	Seal	
28	R100-101Z	Needle Bearing w/Race	
29	R100-37	Spacer	
30	R100-97	Ball Bearing	
31	STA 3532	Snap Ring	
32	STA 2034	Key	
33	STA 2039	Key	
34	100-272.1	Stainless Steel Cover	
35	R150-209	Rubber Ring	
36	STA 6057	Lock Washer	
37	STA 5650	Bolt (Allen Head-under cover)	
38	AR140-33.5Z	Bayonet Shaft	Include 32, 33, 12
39	STA5632	Screw	
40	56AE140-23	Locking Bracket for Safety Guard	
A	AE140-2.22MR	Planetary Head Assy.	Double Groove
B	R100-30Z	Main Shaft Assy.	
C	R100-3Z	Main Bearing Mounted	
D	R100-2Z	Eccentric Head Compl.	
E	AR140-2.25Z	Eccentric Head Mounted	Double Groove
F	R100-36Z	Eccentric Disc Mounted	
G	R100-101Z	Needle Bearing Compl.	



MACHINE COLUMN

ITEM	Part number	Name	Sold as
1	AE140-22RG	Machine Frame Welded, Glass Blasted	
2	AE140-71	Guide Plate Machined	
3	AR80-213	Rubber Foot	
4	AR80-212	Knee, Plug Button	
5	56AE140-25	Shaft Safety Guard	
6	AE140-148.1	Motor Column	
7	AE140-68	Bowl Shaft	
8	AE140-172.2	Guide NSF	
9	AE140-601.3	Converter Bracket - Machined	
10	AE140-171	NSF Plate Low	AE140-170Z
11	AE140-21R	Top Cover with Ventilation	
12	AE140-22.17R	Back Cover	
13	STA5080	Truss Head Screw M6x10	
14	56AE140-25.1	Bottom Bracket	
15	STA5897	Flange Nut M5	
16	STA6053	Helical Spring Lock Washer M6	
17	STA5798	Hexagon Socket M10x20	
18	STA5624	Hexagon Socket M6x12	
19	STA5615	Socket Head Screw M6x16	
20	AE140-170M	NSF Plate Upper - Mounted	AE140-170Z
21	AE140-701	Cable Tray	
22	AE140-172	NSF-Guide Plate - Machined	
23	AR80-214.3	Adjustment Plate 3mm	
24	AR80-214.6	Adjustment Plate 6mm	
25	STA6033	Flat Washer $\phi 10,5-\phi 30 \times 2,5$	
26	STA5345	Hex Cap Screw M10x30	
27	STA5825	Hexagon Nut M10	
28	STA5724	Set Screw M5x10	
29	STA5689	Pan Head Screw M6x10	
30	STA5434	Hex Cap Screw M6x25	
31	STA6014	Flat Washer $\phi 6,4/\phi 12.5 \times 1,6$	
32	STA6056	Helical Spring Lock Washer M8	
33	STA5367	Hex Cap Screw M8x20	
34	STA5716	Set Screw M6x20	
35	STA5839	Domed Cap Nut M6	
36	STA5725	Set Screw M6x16	
37	STA5819	Hexagon Nut M6	
38	STA6008	Flat Washer $\phi 6,4/\phi 12.5 \times 1,6 \text{mm}$	
39	STA3011	PG16 Cable Inlet	
40	STA3029	PG16 Nut	
41	STA5085	Truss Head Screw M6x10	
42	AE61-251	Switch Handle	
43	AE61-251.3	Cover 194E-25-C4	
44	AE61-251.1	Ground Clamp 194E-E32-PE	
45	AE61-251.2	Switch 194E-E32-1753	

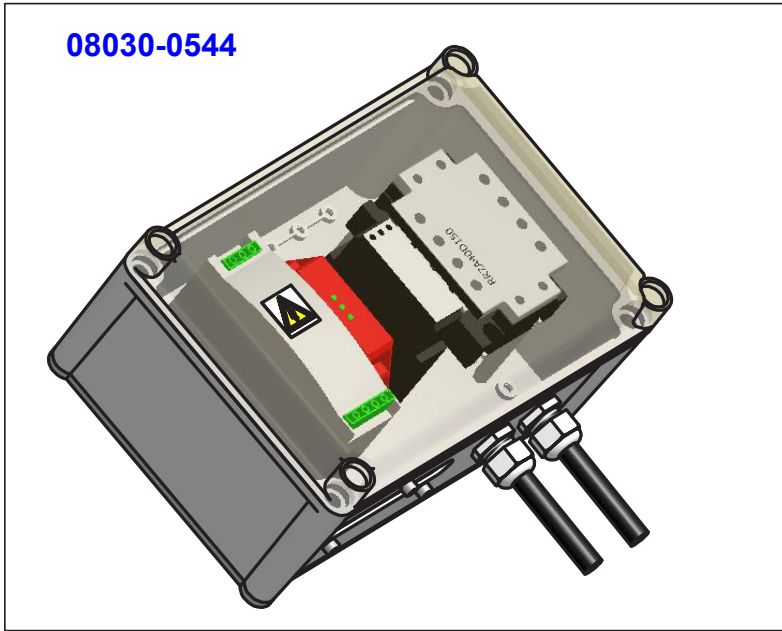
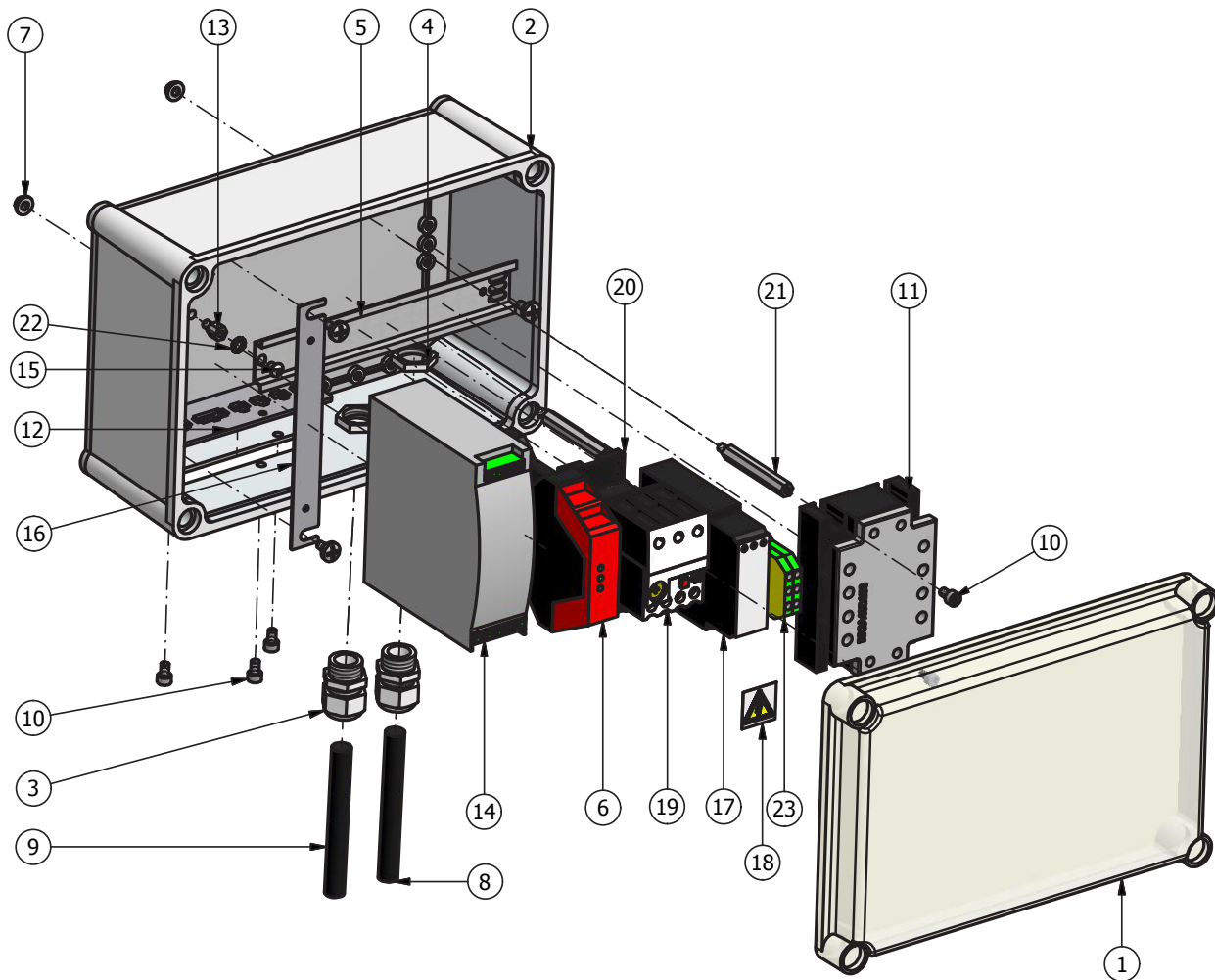


ELECTRIC-BOX

ITEM	Part number	Name	Sold as
1	WE140-418	Transparent Lid	
2	WE140-418	Bottom EI-Box	
3	STA3002	PG 13.5 Cable Inlet	
4	STA3014	PG 13.5 Nut	
5	AE140-415	DIN Rail	
6	AE140-420	Safety Relay	
7	STA5897	Flange Nut M5	
8	WE61-194.4M	Elbox Cable Frequency Converter	
9	WE140-194.5M	Elbox Cable Actuator	
10	STA5720	Socket Head Screw M5x8	
11	AE140-420.8	Solid State Relay 480V	
12	AE140-541	Bracket Molex Plugs	
13	STA6078	Hexa Distance Piece NV8x8-M5	
14	CE61-414	Power Supply	
15	STA5727	Socket Head Cap Screw M5x6	
16	AE140-418.2	Bracket Power Supply	
17	CE61-420.4	Phase Sequence Relay	
18	RN20-245.21	High Voltage Logo	
19	AE140-420.4	Overload Relay 1,6-2,4A ZB32-2,4	AE140-420.4Z
20	AE140-420.5	Socket Overload Relay ZB32-XEZ	AE140-420.4Z
21	STA6653	Hexa Distance Piece NV8x16-M5	
22	STA6084	Secure Disc ø5,5/ø10x1	
23	AR30-457	Screw Terminal Board	

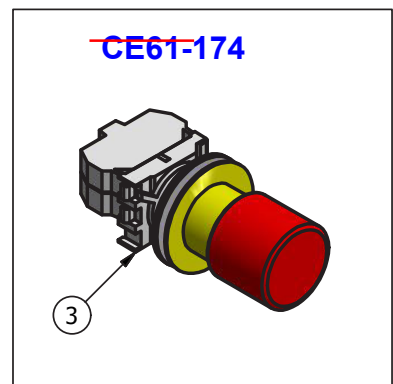
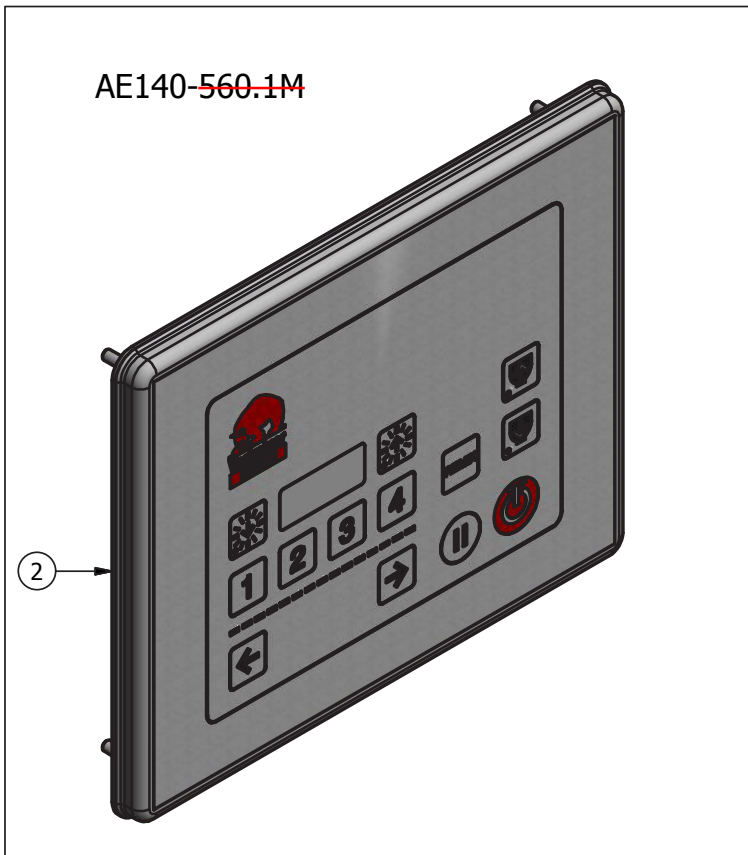
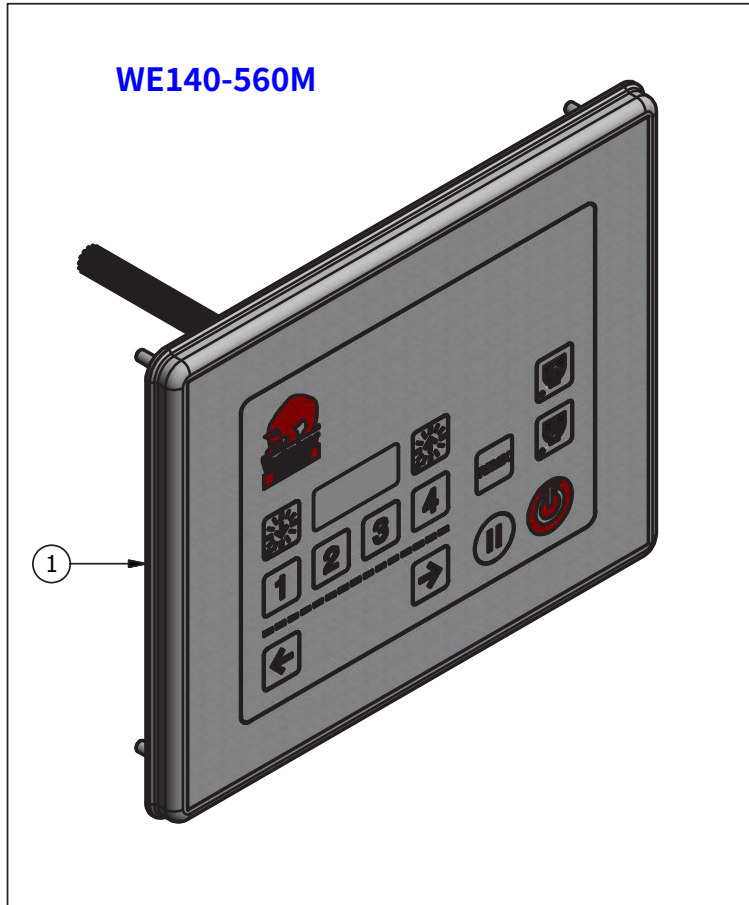
Not shown cables in elbox

Part number	Name	Sold as
AE140-194.6M	Cable Black Elbox Mounted	
AE140-194.7M	Earth Cable for Elbox	
WE61-194.8M	Green/Black Cable for Elbox VL4	
WE61-194.9M	Yellow/Black Cable for Elbox VL4	
R20-196.10	Cable 0,75 L = 65mm Black	
WE140-194.11M	Colored Elbox Cables Complete UL	



FRONT PANEL

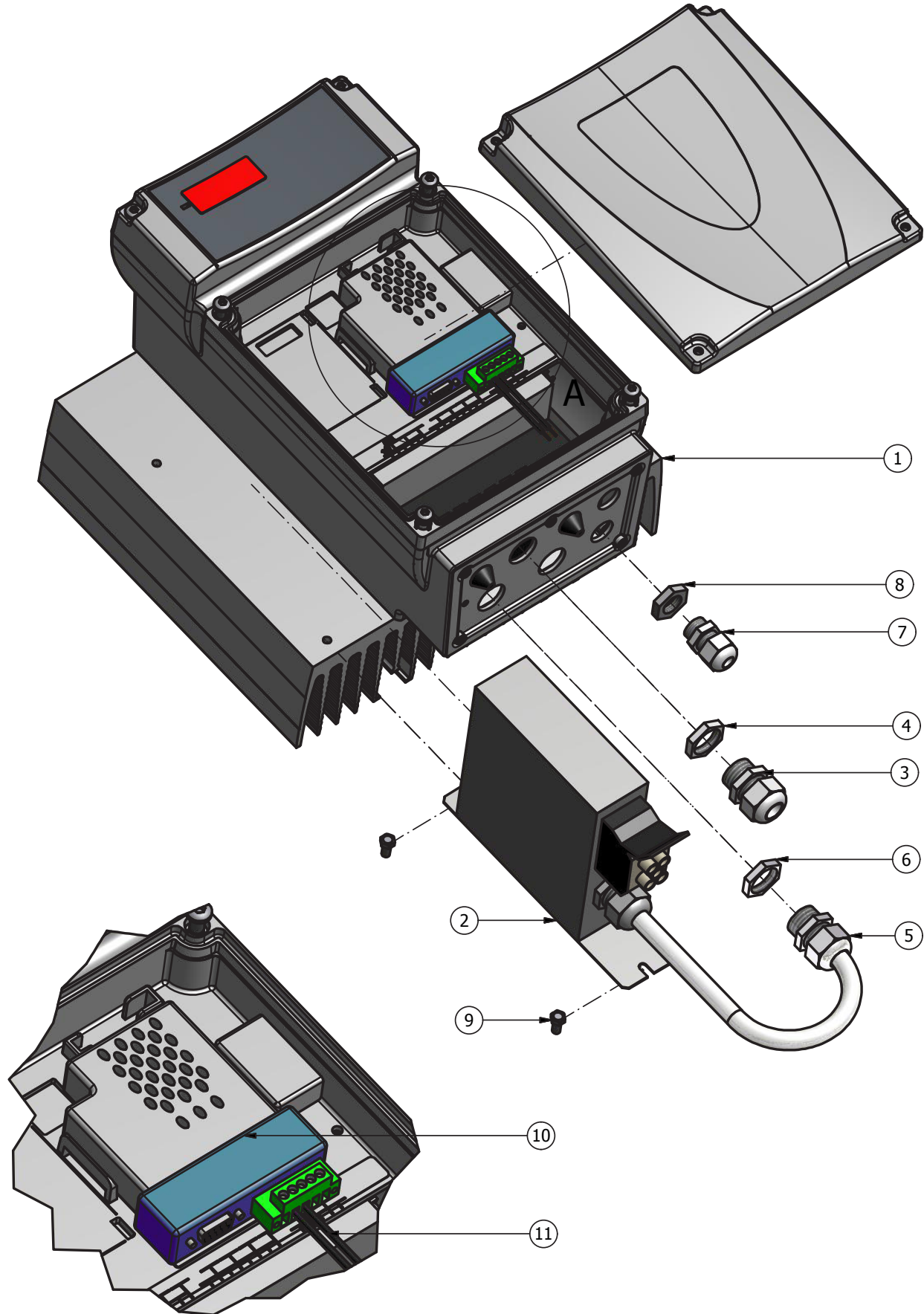
ITEM	Part number	Name	Sold as
1	WE140-560M	Front Panel Complete with Main Cable	
2	AE140-560.1M	Front Panel Complete	
3	CE61-174	Emergency Stop Complete	



FREQUENCY CONVERTER

ITEM	Part number	Name	Sold as
1	AE140-601	Frequency Converter	AE140-601.1M
2	AE140-601.1	Filter for Frequency Converter	
3	STA3002	PG 13.5 Cable Inlet	
4	STA3014	PG 13.5 Nut	
5	STA3109	PG 13,5 EMC Cable Inlet Brass	
6	STA3110	PG 13.5 EMC Nut Brass	
7	STA3074	PG9 Cable Inlet	
8	STA3038	PG 9 Nut	
9	STA5310	Hex Cap Screw M5x12	
10	AE140-601.5M	PX-Modbus to Frequency Converter	
11	R20-196.10	Wire Black 0,75mm ²	

AE140-601.1M



CABLES

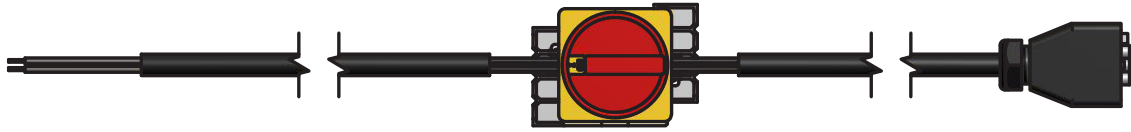
Part number	Name UK	Sold as
AE61-251	Main Switch	
WE140-194.14M	Main Cable	
WE140-194.1M	Actuator Cable	
WE140-194.2M	Motor Cable UL ERGO 14/4	
WE140-194.3M	PTO Cable	
WE61-194.4M	Elbox Cable Frequency Converter	
WE140-194.5M	Elbox Cable Actuator	
AE140-501.7M	Bowl Arm Sensor Mounted	AE140-501.7Z
R20E-410.4	Molex Plug	
AE140-512M	Magnet Sensors	
WE140-542.5	Multi Cable	
AE140-601.8	Ferrite Clamp	

AE61-251	Mounted on WE140-194.14M
R20E-410.4	Mounted on AE140-501.5M
AE140-601.8	Mounted on WE140-542.5

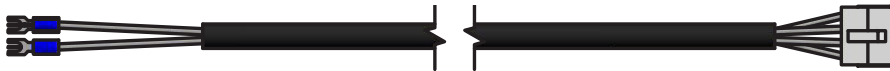
Connections of Cable ends

	City			
		WE140-194.14M	Main Switch	AE61-251
AE61-251	Main Switch		EMC Filter	AE140-601.1
AE140-86	Actuator	WE140-194.1M	Elbox Cable	WE140-194.5M
AE140-85	Motor	WE140-194.2M	Frequency Converter	AE140-601.1M
WE140-542.5	Multi Cable	WE140-194.3M	Motor	AE140-85
08030-0544	Elbox	WE61-194.4M	Frequency Converter	AE140-601.1M
08030-0544	Elbox	WE140-194.5M	Actuator Cable	WE140-194.1M
WE140-542.5	Multi Cable	AE140-501.7M	Bowl Arm	AE140-24EM
08030-0544	Elbox	AE140-512M	Machine Frame	AE140-22RG
	See other drawing	WE140-542.5	See other drawing	

WE140-194.14M



WE140-194.1M



WE140-194.2M



WE140-194.3M



WE61-194.4M



WE140-194.5M



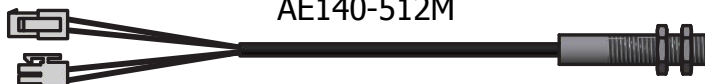
R20E-410.4



AE140-501.7M



AE140-512M



WE140-542.5

140-542.6

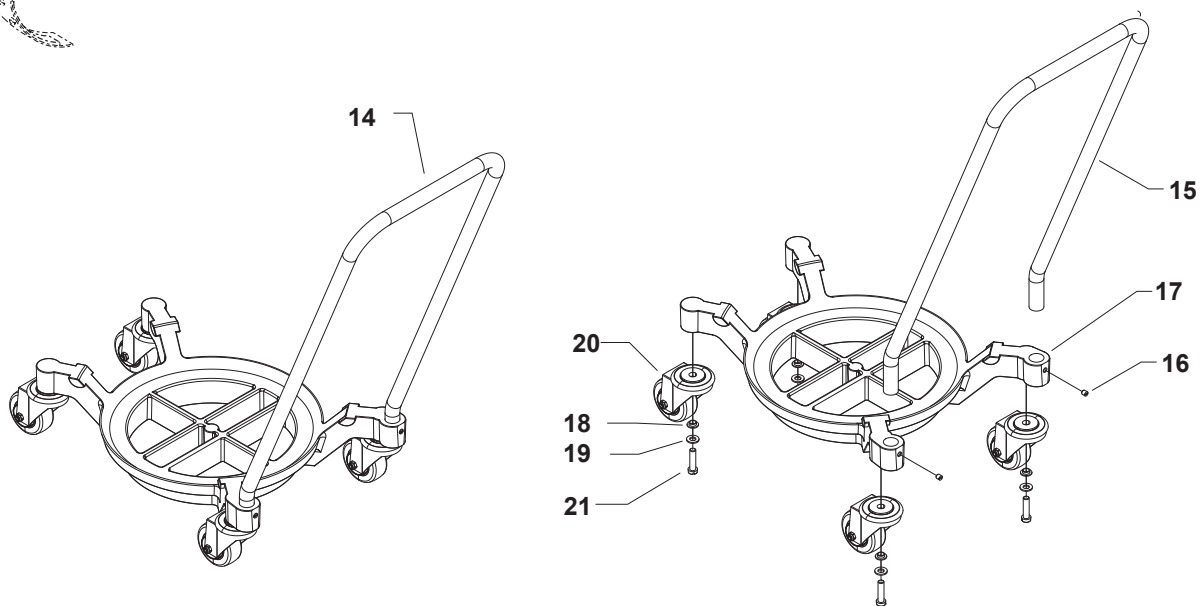
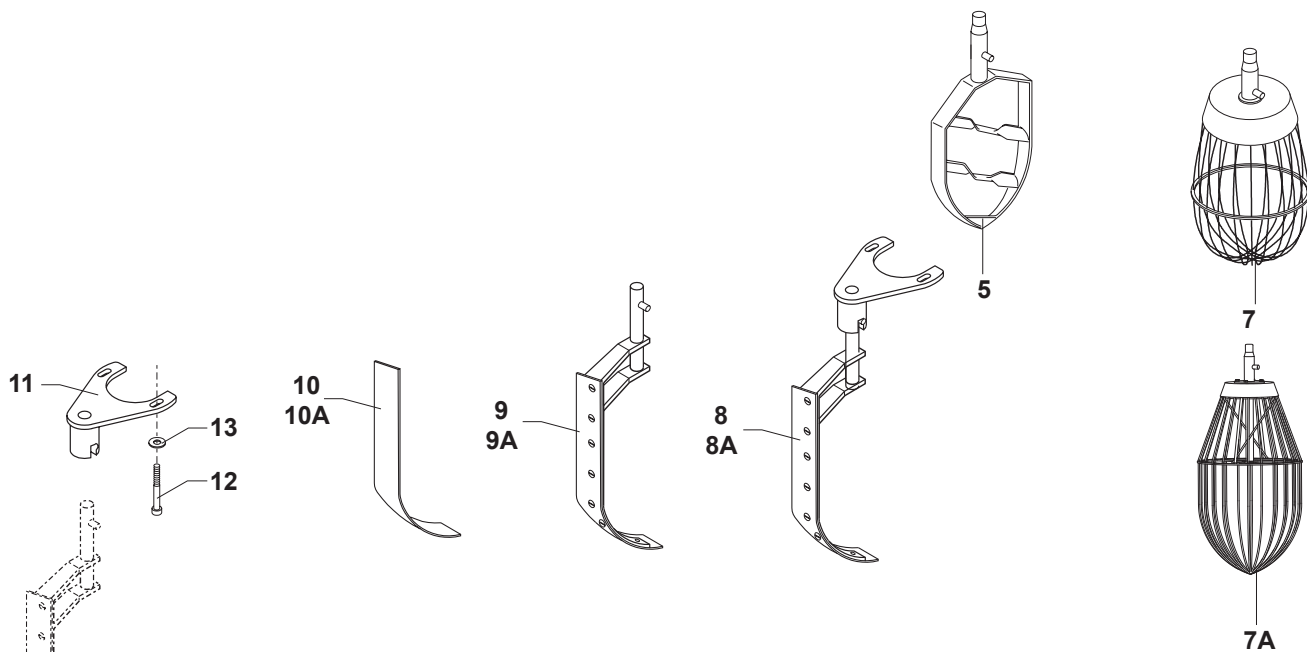
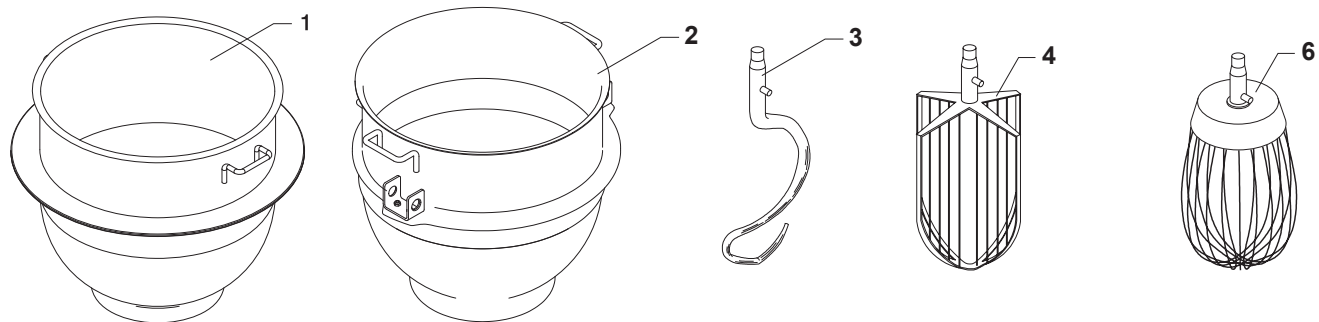


AE140-601.8



ACCESSORIES

ITEM	Part number	Name	Sold as
1	AE140-75M	Stainless Steel Bowl (Standard)	VBOWL-140
2	21AE140-75M	Stainless Steel Bowl for Maxi Lift	
8	42AR140P	Bowl Scraper	
8A	42AR140PF	Bowl Scraper, reinforced blade 5 mm	VSCR-150
9	42AR140-202	Holder w/Blade	
9A	42AR140-202F	Holder w/Blade, reinforced blade 5 mm	VSCR-150NH
10	42AR140-204	Nylon Blade	
10A	42AR140-204F	Nylon Blade reinforced 5 mm	
11	42RN100-101M	Scraper Holder	
12	STA 6552	Screw	
13	STA 6029	Washer	
14	22WE140	Bowl Truck	VBTRUCK-150E
15	22R271	Bowl Truck Handle	
16	STA 5675	Set Screw	
17	22R100-40	Bowl Truck Frame	
18	STA 5608	Screw	
19	STA6033	Spacer (Disc 2,5mm) (For Standard Bowl)	
20	22R150-520	Castor, Dual Wheel Bowl Truck	
21	STA 5131	Bolt	
		To machine number 140000417 - Tool with single pin	
3.	W140-78M	Dough Hook	VHOOK-150SP
4.	14AR140	Wing Whip	VWINGWHIP-150SP
5.	W140-27M	Alu. Flat Beater	VBEAT-150ASP
6.	RN140-28M	S/S Wire Whip	
7.	44AR140	Wire Whip Reinforced	VHDWHIP-150SP
		From machine number 140000418 - Tool with double pin	
3.	AR140-78.5M	Dough Hook, Double Pin	VHOOK-150
4.	14AR140.5M	Wing whip, Double Pin	VWINGWHIP-150
5.	AR140-27.5M	Alu. Flat Beater, Double Pin	VBEAT-150A
7A.	44AR140.5FM	Wire Whip Center Reinforced, Double Pin	VHDWHIP-150





Varimixer

Varimixer
2215 East River Road
Dayton, OH 45439, US
P: (800) 222-1138
E: mixer@varimixer.com
www.varimixerusa.com