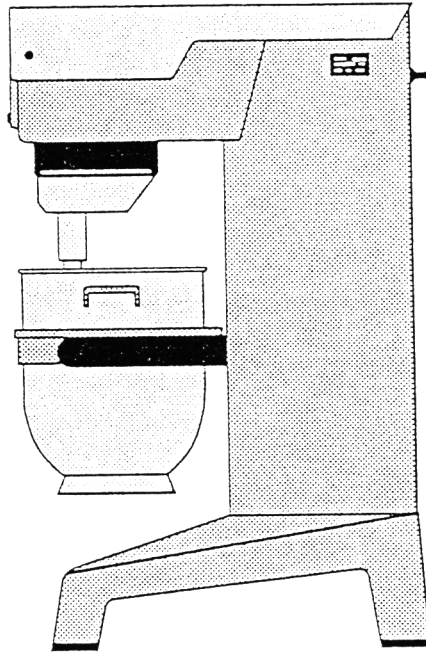


**Bear Varimixer
(Rondo)
1980-1984**

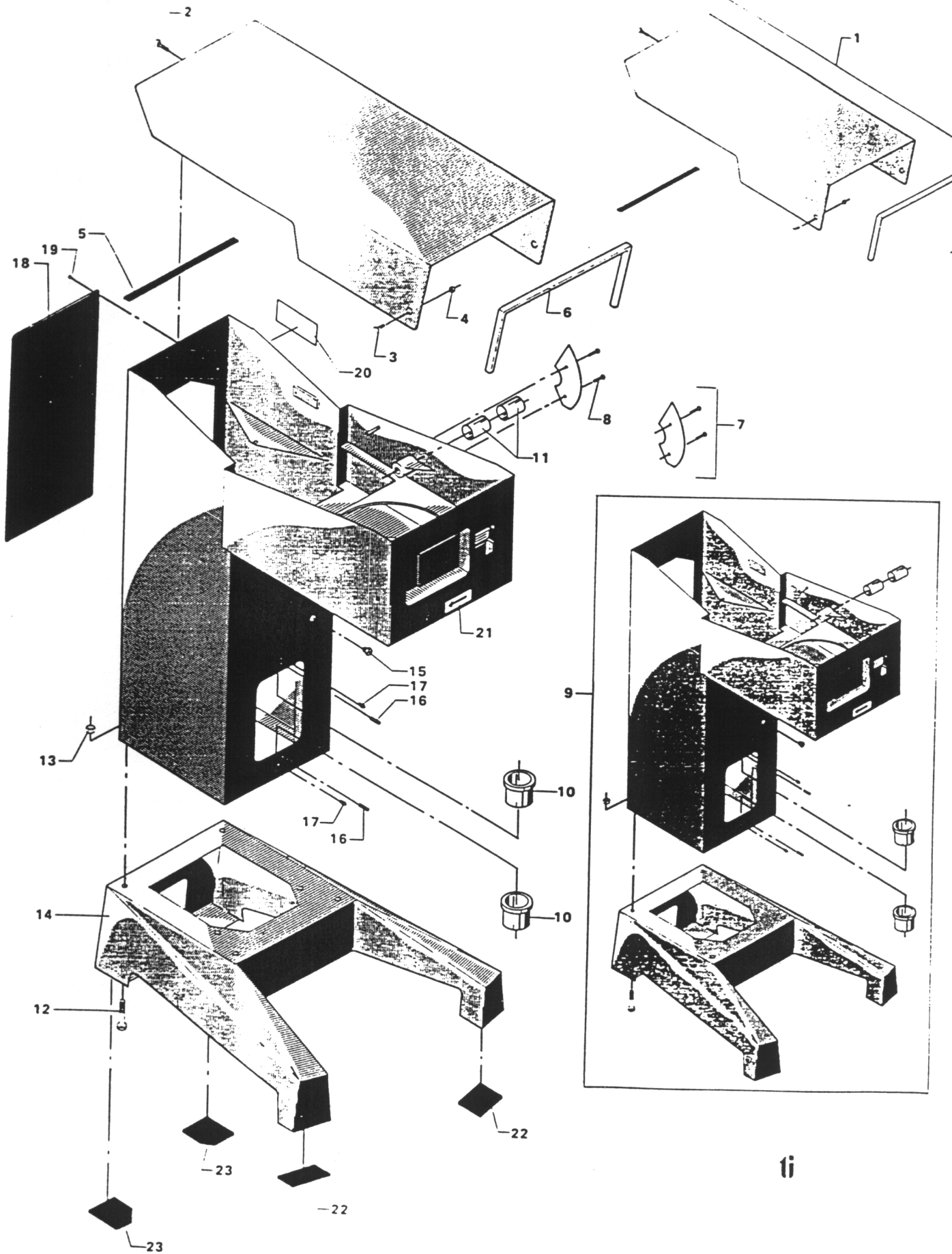


MODEL R150

MK-I

MACHINE COLUMN

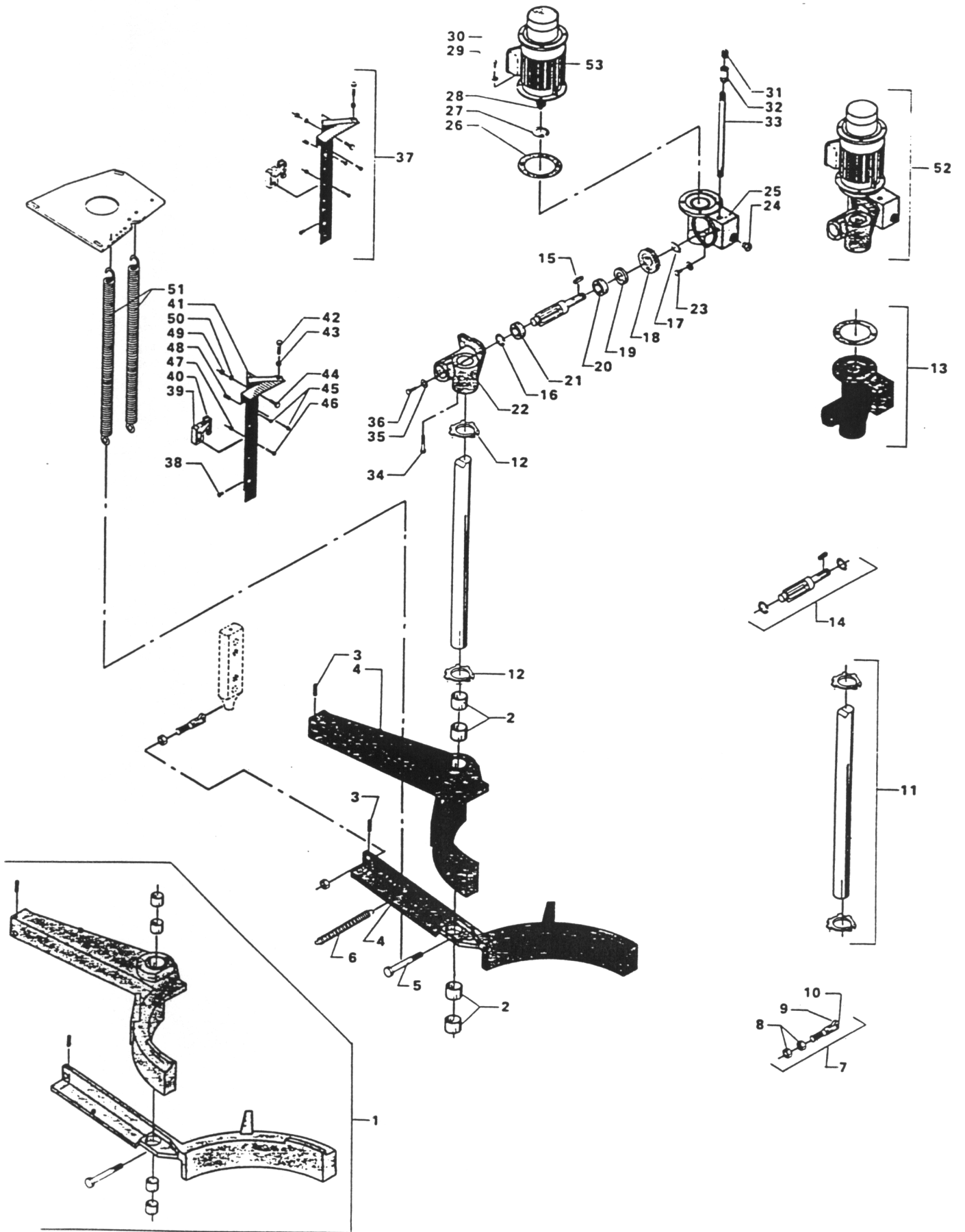
FIG.NO.	ORDER NO.	DESCRIPTION:
1	R150-21z	topcover set
2	STA5017	screw M6 x 20
3	STA4920	bolt M8 x 20
4	R30-221	topcoverhub
5	S480000419	rubber seat
6	R150-219	protection rim
7	R150-273z	speedindicatorplate compl.
8	STA6493	groov nail Ø2.6 x 6 s.s.
9	R150-22.01z	machine column, white
10	R150-72	bearing
11	STA2520	bearing bush MB2525DU
12	STA5335	screw M16 x 90
13	STA5815	nut M16
14	R150-25	base
15	STA3015	plug button PG 13.5
16	STA6410	slotted pin KS1 Ø6 x 36
17	STA3201	grease nipple
18	R150-22.7	plate
19	STA5080	screw s.s. M6 x 10
20	R15-244	machine number sign
21	R15-245	arrow
22	R150-212.1	rubber pad foreleg for 25
23	R150-212.2	rubberpad, back



Bowl Lift System

FIG.NO. ORDER NO. DESCRIPTION:

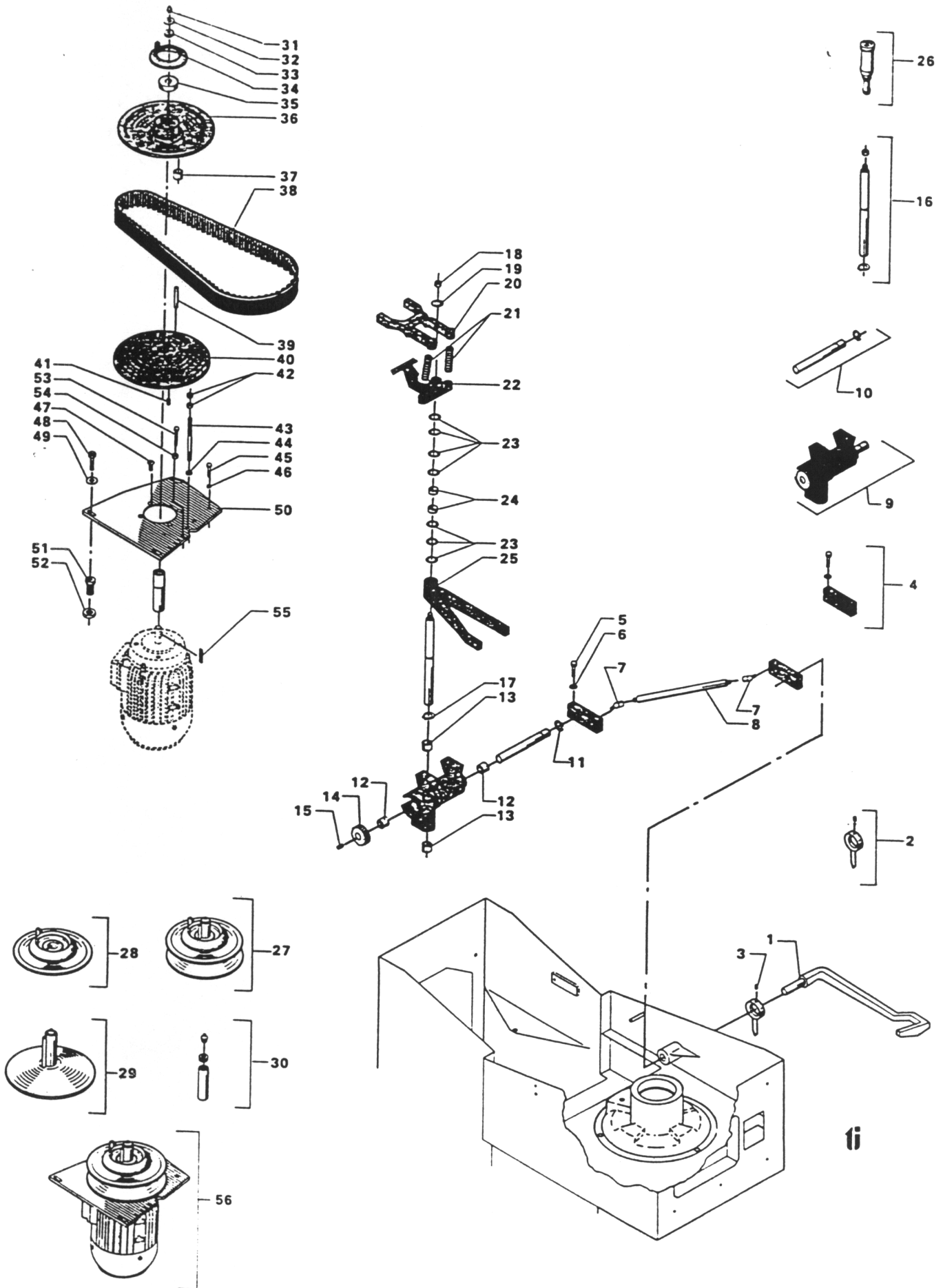
FIG.NO.	ORDER NO.	DESCRIPTION:
	R150-23/241z	bowlarmset compl.
	STA2530	bearing bush MB5035DU
3	STA6370	slotted pin Ø6 x 30
4	STA6494	groov nail KN4 Ø4 x 16
5	STA5350	screw M12 x 110
6	R15-111	spring
7	R150-69z	extension bolt compl.
8	STA5835	nut M20
9	R150-95	cam roller 305802
10	R150-70	pin for extension bolt
11	R150-68z	bowlarm guide rod compl.
12	STA3464	circlip 50UK
13	R150-4m	lifting gearbox assy.
14	R150-57z	lifting shaft compl.
15	STA2031	key B8 x 7 x 30
16	STA3407	circlip 19U
17	STA3410	circlip 25U
18	R150-9	wormwheel
19	R150-108	oilseal
20	R150-93	ball bearing 1/57, 6205 2RS1C3
21	R150-94	ball bearing 1/57, 6204 2RS1C3
22	R150-12	lifting gear box
23	STA3270	brass stopper 1/4 RG
24	STA3275	oil-level glass 1/2 RG
25	R150-4	lifting gearbox
26	R20-300	gasket for R15-10
27	STA3452	circlip 16UK
28	R150-56	worm
	STA6056	lockwasher 8mm
	STA5433	screw M8 x 25
31	STA4701	tube stopper 1/2 RG
32	STA4902	pipe coupling 1/2 x 1/4
33	R150-145	olling tube
34	STA5439	screw M8 x 60
35	STA6056	lockwasher 8mm
36	STA5433	screw M8 x 25
37	R150-53m	microswitch bracket assy.
38	STA5081	screw M6 x 12
39	R27-172	microswitch
40	R150-173	carrier with roller
41	R150-54	lever arm for microswitch
42	STA5439	screw M8 x 60
43	STA5810	nut M8
44	STA5322	screw M8 x 20
45	STA5123	screw M4 x 15
46	STA5101	screw M3 x 35
47	STA5817	nut M3
48	R150-161	spring for 53
49	STA5810	nut M8
50	STA6056	lockwasher 8mm
51	R60-110	lifting spring
52**	R150-84.1m	unit compl. mounted - price excl. motor please also state spare part number of lifting motor. e.g. R150-84.1m + R150-84.20 lifting motor spare part number, see page 20.



Belt Drive

FIG.NO.	ORDER NO.	DESCRIPTION:
	R150-20m	speed selector lever
2	W20-170z	arrow for speedindicator assy.
3	STA5607	screw M6 x 6 s.s.
4	R150-44z	gear arm compl
5	STA5346	screw M10 x 40
6	STA6057	lockwasher 10 mm
7	R150-160	ball and rocket joint
8	R150-45	connecting bar
9	R150-18z	bearing bracket assy.
10	R150-47z	bearing bracket shaft compl.
11	STA3410	circlip 25U
12	STA2610	bearing bush SWB2515M-Sy
13	STA2520	bearing bush MB2525DU
14	R150-48	gearwheel
15	STA5602	screw M5 x 10
16	R150-46z	toothed rack assy.
17	STA3409	circlip 24U
18	STA5815	nut M16
19	STA6040	washer
20	R150-19	fork for belt tightener
21	R20-275	spring f/tightening the v-belt
22	R150-26	support bracket
23	STA6060	washer 25 x 35 x 2.0
24	R20-34	distance piece
25	R150-16	lower fork
26	R15-142	grease gun
27	R150-59 m	motor pulley set
28	R150-15z	pulley movable, assy.
29	R150-13.1z	pulley assy.
30	R150-59z	motor pulley shaft assy.
31	STA3220	grease nipple
32	STA6018	washer 40 x 13 x 3
33	R150-156	thread nipple
34	R15-17	varispeed collar
35	R15-103	ball bearing f/15 6010 2RS1
36	R150-15	pulley, movable
37	STA2508	bearing bush MB1015DU
38	R150-91	special v-belt
39	R150-285	pin
40	R150-13	pulley
41	STA5602	screw M5 x 10
42	STA5825	nut M10
43	R15-147	screw M10
44	STA6025	washer 10mm
45	STA5345	screw M10 x 30
46	STA6025	washer 10mm
47	STA5024	screw M10 x 20
48	STA5436	screw M8 x 40
49	STA6026	washer 20 x 10 x 2.5
50	R150-61	base for motor
51	R20-148	threaded bush
52	STA5815	nut M16
53	STA5348	screw M10 x 55
54	STA5825	nut M10
55	STA2047	key A 8 x 7 x 50
56**	R150-85.1m	unit compl mounted - price excl motor please also state spare part number of motor. e.g. R150-85.1m + R150-85.20

Belt Drive



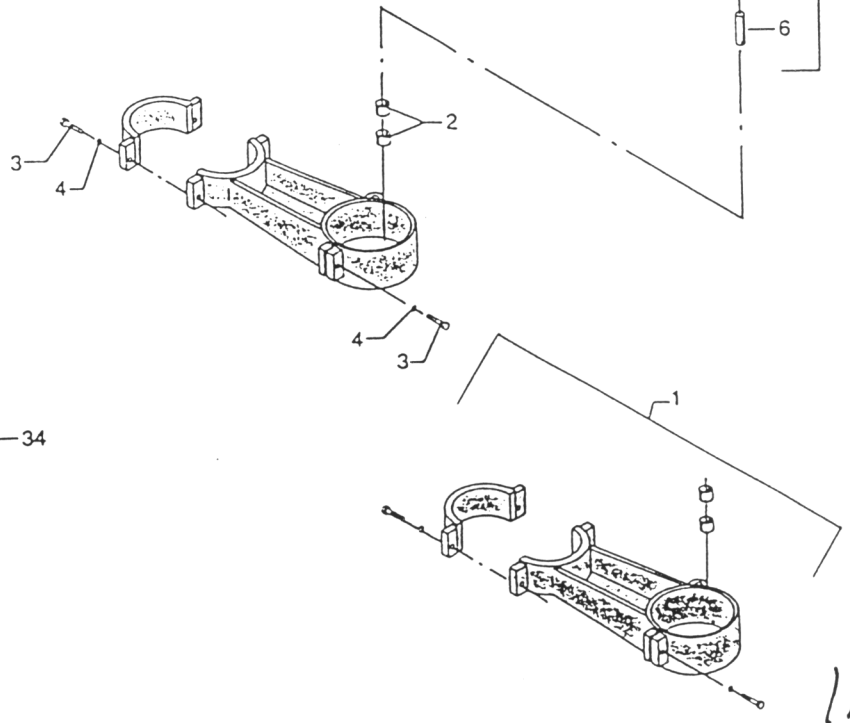
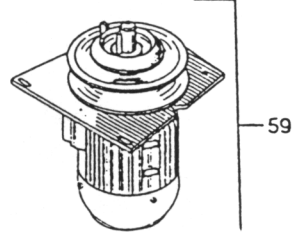
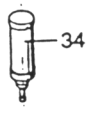
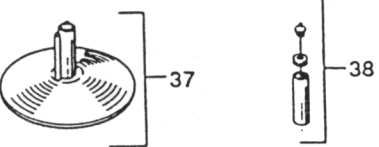
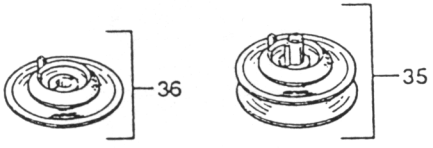
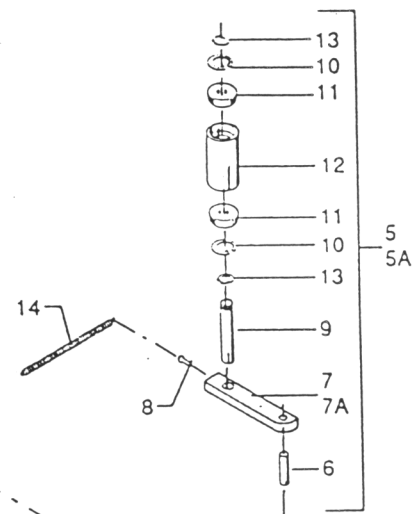
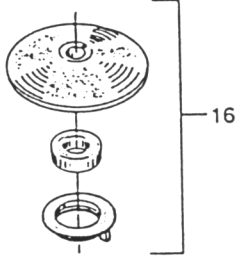
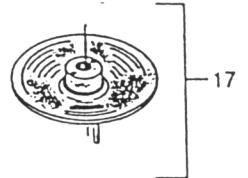
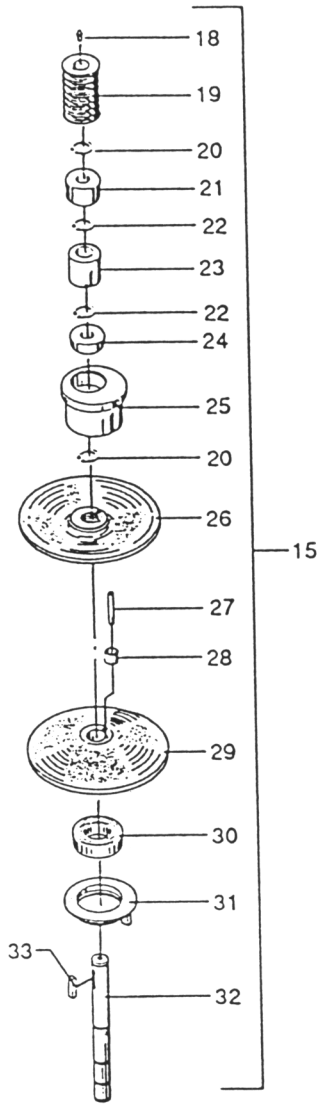
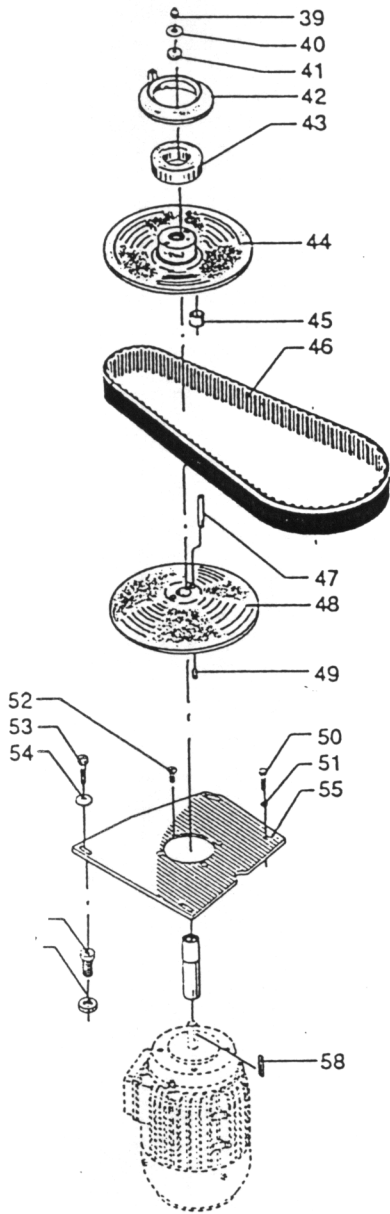
Variable Pulleys

G.NO. ORDER NO. DESCRIPTION:

1	R150-6z	lejearm kompl.	arm for bearing assy.	lagerhebel kompl.
2	STA2510	lejebøsning MB1615DU	bearing bush MB1615DU	lagerbuchse MB1615DU
3	STA5346	sætskrue M10x40	screw M10x40	schraube M10x40
4	STA6057	fjederskive 10mm	lockwasher 10mm	federscheibe 10mm
5	R150-119m	strammerulle monteret 50Hz	tensioning roller mounted 50Hz	spannrolle montiert 50Hz
5A	R150-119.1m	strammerulle monteret 60Hz	tensioning roller mounted 60Hz	spannrolle montiert 60Hz
6	STA6282	cyl.stift ø16x60	rollpin ø16x60	zylinderstift ø16x60
7	R150-120	arm for strammer 50Hz	arm for tightener 50Hz	hebel fuer spanner 50Hz
7A	R150-120a	arm for strammer 60Hz	arm for tightener 60Hz	hebel fuer spanner 60Hz
8	STA6494	kæravnagle KN4 ø4x16	groov nail KN4 ø4x16	kørbnagel KN4 ø4x16
9	R150-121	aksel for strammerulle	shaft for tightener	welle fuer spanner
10	STA3514	sikringsring 52l	circlip 52l	sprengring 52l
11	R150-122	kugleleje 6205 2RS1C3	ball bearing 6205 2RS1C3	kugellager 6205 2RS1C3
12	R150-119	strammerulle	tensioning roller	spannrolle
13	STA3410	sikringsring 25U	circlip 25U	sprengring 25U
14	R150-168	fjeder for strammerulle	spring for tensioning roller	feder fuer spannrolle
15	R150-7m	lejearmsbøsning monteret	arm bush assy.	lagerhebelbuchse montiert
16	R150-15z	remskive bevægelig, kompl.	pulley movable, assy.	riemenscheibe bewegliche, kompl.
17	R150-13z	remskive kompl.	pulley assy.	riemenscheibe kompl.
18	STA3220	tryksmøre enhed	grease nipple	schmiernippel
19	R150-128	kileremskive	standard v-belt pulley	keilriemenscheibe
20	STA3418	sikringsring 35U	circlip 35U	sprengring 35U
21	R150-102	kugleleje 3207 2RS1C3	ball bearing 3207 2RS1C3	kugellager 3207 2RS1C3
22	STA3522	sikringsring 72l	circlip 72l	sprengring 72l
23	R150-143	afstandsør	distance tube	abstandsrohr
24	R150-92	kugleleje 6207 2RS1C3	ball bearing 6207 2RS1C3	kugellager 6207 2RS1C3
25	R150-7	lejearmsbøsning	arm bush	lagerhebelbuchse
26	R150-13	remskive	pulley	riemenscheibe
27	R150-285	stift	pin	stift
28	STA2508	lejebøsning MB1015DU	bearing bush MB1015DU	lagerbuchse MB1015DU
29	R150-15	remskive, bevægelig	pulley, movable	riemenscheibe, bewegliche
30	R15-103	kugleleje l/15 6010 2RS1	ball bearing l/15 6010 2RS1	kugellager l/15 6010 2RS1
31	R15-17	gearskiftering	varispeed collar	getriebewendring
32	R150-41	lejearmaksel	bearing shaft	lagerhebelwelle
33	STA2023	pasfeder B6x6x39	key B6x6x39	feder B6x6x39
34	R15-142	fedtpresse	grease gun	fettpresse
35	R150-59m	motorremskivesæt	motor pulley set	motorriemenscheibesatz
36	R150-15z	remskive bevægelig, kompl.	pulley movable, assy.	riemenscheibe bewegliche, kompl.
37	R150-13.1z	remskive kompl.	pulley assy.	riemenscheibe kompl.
38	R150-59z	motorremskiveaksel kompl.	motor pulley shaft assy.	motorriemenscheibenwelle kompl.
39	STA3220	tryksmøre enhed	grease nipple	schmiernippel
40	STA6018	skærmskive 40x13x3	washer 40x13x3	scheibe 40x13x3
41	R150-156	gevindnippel	thread nipple	gewindenippel
42	R15-17	gearskiftering	varispeed collar	getriebewendring
43	R15-103	kugleleje l/15 6010 2RS1	ball bearing l/15 6010 2RS1	kugellager l/15 6010 2RS1
44	R150-15	remskive, bevægelig	pulley, movable	riemenscheibe, bewegliche
45	STA2508	lejebøsning MB1015DU	bearing bush MB1015DU	lagerbuchse MB1015DU
46	R150-91	bredkilerem	special v-belt	spezialkeilriemen
47	R150-285	stift	pin	stift
48	R150-13	remskive	pulley	riemenscheibe
49	STA5602	gev.tap M5x10	screw M5x10	schraube M5x10
50	STA5345	sætskrue M10x30	screw M10x30	schraube M10x30
51	STA6057	fjederskive 10mm	lockwasher 10mm	federscheibe 10mm
52	STA5024	kærsvkrue M10x20	screw M10x20	schraube M10x20
53	STA5436	stålsætskrue M8x40	screw M8x40	schraube M8x40
54	STA6026	skive	washer	scheibe
55	R150-61	travers	base for motor	traverse
56	R20-148	gevindbøsning	threaded bush	gewindebuchse
57	STA5815	møtrik M16	nut M16	mutter M16
58	STA2047	pasfeder A8x7x50	key A8x7x50	feder A8x7x50
59 **	R150-85.1m	enhed kompl. monteret - pris excl. motor	unit compl. mounted - price excl. motor	einheit kompl. mont. - preis ausschl. motor

** angiv også reservedelsnummer please also state spare part number bitte auch ersatzteilnummer für

Variable Pulleys

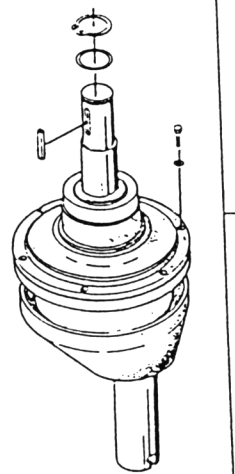
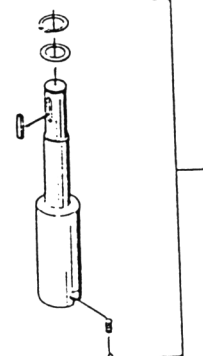
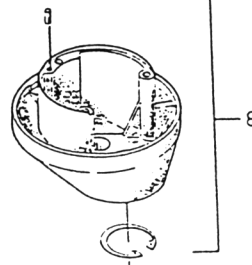
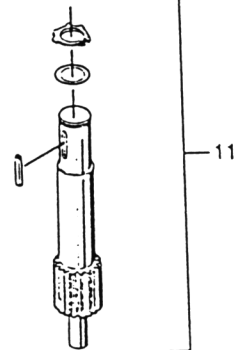
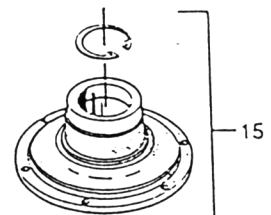
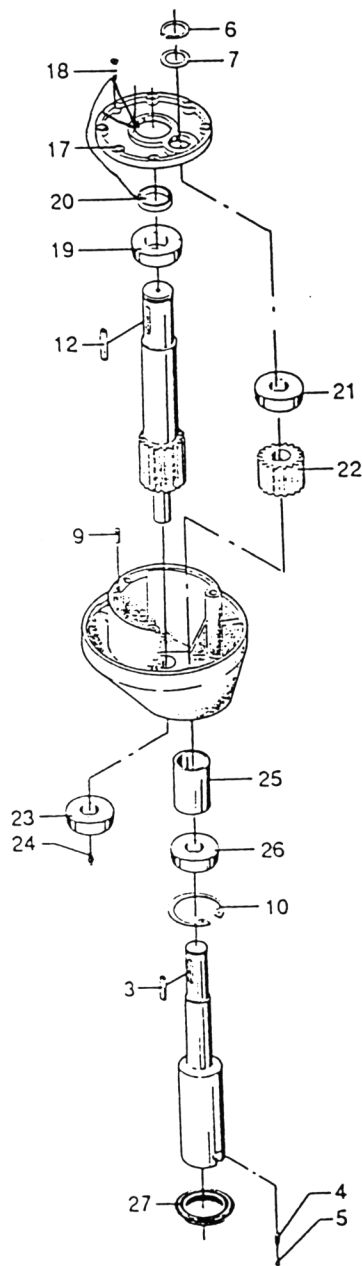
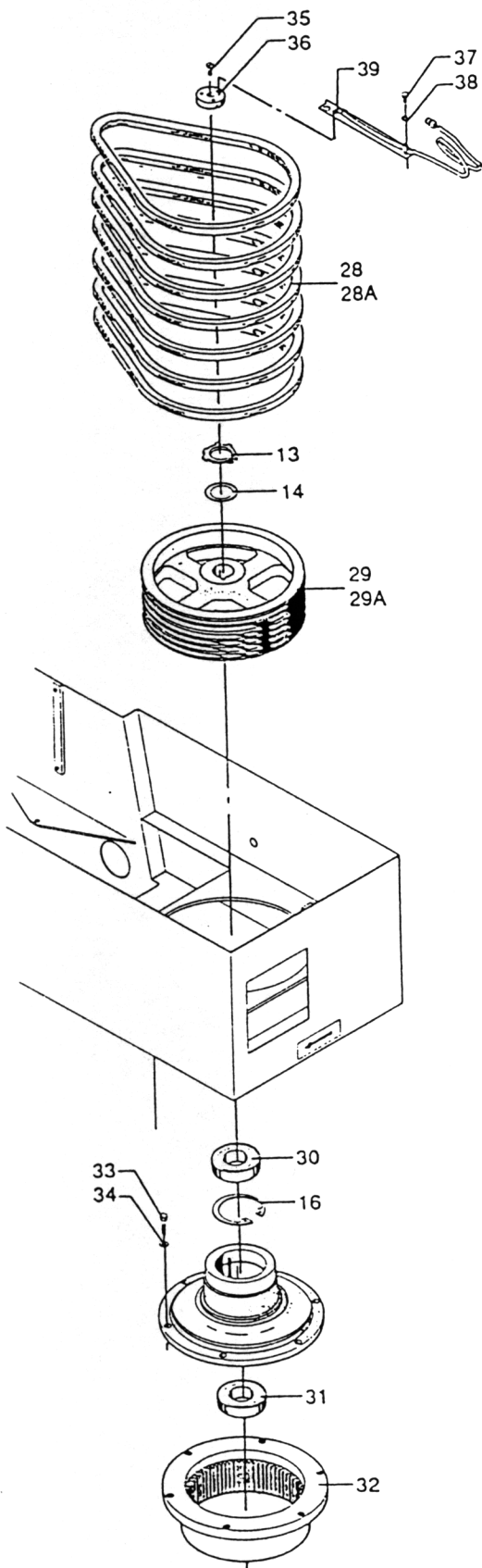


PLANETARY HEAD

FIG.NO. ORDER NO. DESCRIPTION:

1	R150-2m	rørehoved monteret	planetary head assy.	ruehrkopf montiert
2	R150-33z	bajonetaksel kompl.	bayonetshaft assy.	bajonettwelle kompl.
3	STA2033	pasfeder B8x7x60	key B8x7x60	feder B8x7x60
4	R15-109	fjeder f/33	spring f/33	feder f/33
5	R60-106	kugle 3/8 rustfri	ball 3/8 s.s.	kugel 3/8 rf.
6	STA3418	sikringsring 35U	circlip 35U	sprengring 35U
7	STA6062	passkive 35x45x0.5	washer 35x45x0.5	scheibe 35x45x0.5
8	R150-2z	ekscentrikhoved kompl.	eccentric head compl.	exzentrikkopf kompl.
9	STA6462	kærvstift KS4 ø8x28	groov nail KS4 ø8x28	kerbnagel KS4 ø8x28
10	STA3530	sikringsring 90I	circlip 90I	sprengring 90I
11	R150-30z	hovedaksel kompl.	main shaft assy.	hauptwelle kompl.
12	STA2033	pasfeder B8x7x60	key B8x7x60	feder B8x7x60
13	STA3464	sikringsring 50UK	circlip 50UK	sprengring 50UK
14	STA6061	passkive 52x65x1.0	washer 52x65x1.0	scheibe 52x65x1.0
15	R150-3z	hovedleje monteret	main bearing mounted	hauptlager montiert
16	STA3534	sikringsring 110I	circlip 110I	sprengring 110I
17	R150-36	ekscentrikskive	eccentric disc	exzenterscheibe
18	STA5083	kærnskruer M10x40	screw M10x40	schraube M10x40
19	R150-100	kugleleje f/30m, 6211 2RS1C3	ball bearing f/30m, 6211 2RS1C3	kugellager f/30m, 6211 2RS1C3
20	R150-37	afstandsrør	distance piece	abstandsrohr
21	R150-96	kugleleje f/33, 3207 2RS1C3	ball bearing f/33, 3207 2RS1C3	kugellager f/33, 3207 2RS1C3
22	R150-31	mellemhjul	rim pinion	zwischenrad
23	R150-101	kugleleje f/30, 6210 2RS1C3	ball bearing f/30, 6210 2RS1C3	kugellager f/30, 6210 2RS1C3
24	STA3220	tryksmøre enhed	grease nipple	schmiernippel
25	R150-34	afstandsrør	distance piece	abstandsrohr
26	R150-97	kugleleje f/33n, 6210 2RS1C3	ball bearing f/33n, 6210 2RS1C3	kugellager f/33n, 6210 2RS1C3
27	R150-209	gummipakning f/33	rubber ring f/33	gummiring f/33
28	R150-90	standardkilerem A57 50Hz	standard v-belt A57 50Hz	standardkeilriemen A57 50Hz
28A	R150-90.1	standardkilerem A60 60Hz	standard v-belt A60 60Hz	standardkeilriemen A60 60Hz
29	R150-129	kileremskive 50Hz	v-belt pulley 50Hz	keilriemenscheibe 50Hz
29A	R150-129a	kileremskive 60Hz	v-belt pulley 60Hz	keilriemenscheibe 60Hz
30	R150-98	kugleleje f/30ø, 6310 2RS1C3	ball bearing f/30ø, 6310 2RS1C3	kugellager f/30ø, 6310 2RS1C3
31	R150-99	kugleleje f/30m, 6311 2RS1C3	ball bearing f/30m, 6311 2RS1C3	kugellager f/30m, 6311 2RS1C3
32	R150-1	tandkrans	gear wheel rim	zahnkranz
33	STA5348	sætskrue M10x55	screw M10x55	schraube M10x55
34	STA6057	fjederskive 10mm	lockwasher 10mm	federscheibe 10mm
35	STA5611	skruer M6x20	screw M6x20	schraube M6x20
36	R30E-515m	magnetholderskive	support disc for magnets	halterscheibe fuer magnete
37	STA5311	sætskrue M6x10	screw M6x10	schraube M6x10
38	STA6053	fjederskive 6mm	lockwasher 6mm	federscheibe 6mm

Planetary Head



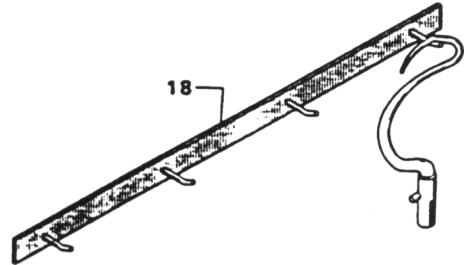
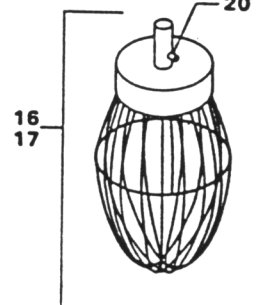
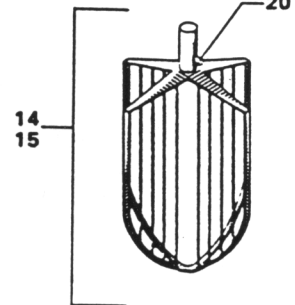
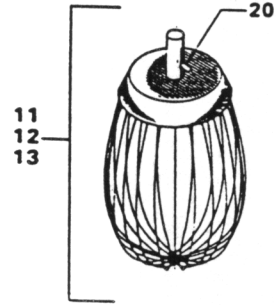
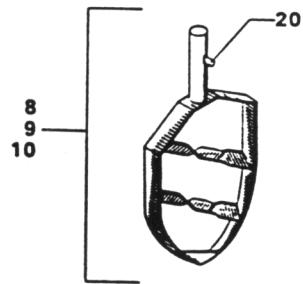
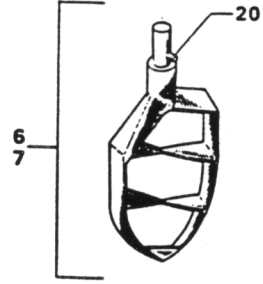
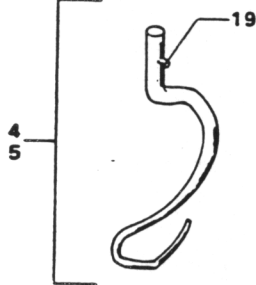
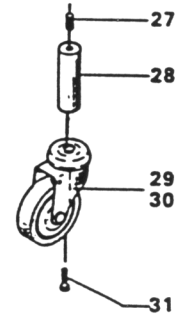
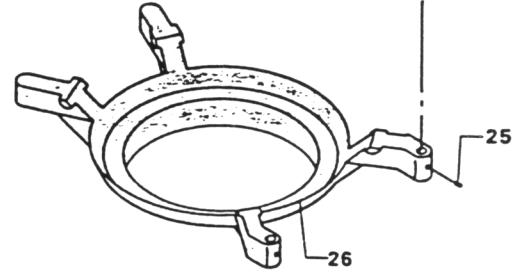
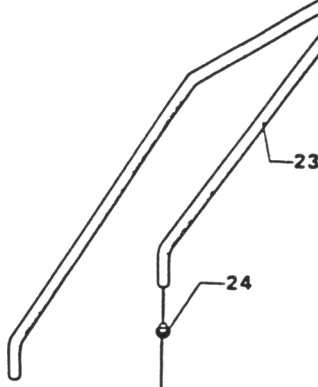
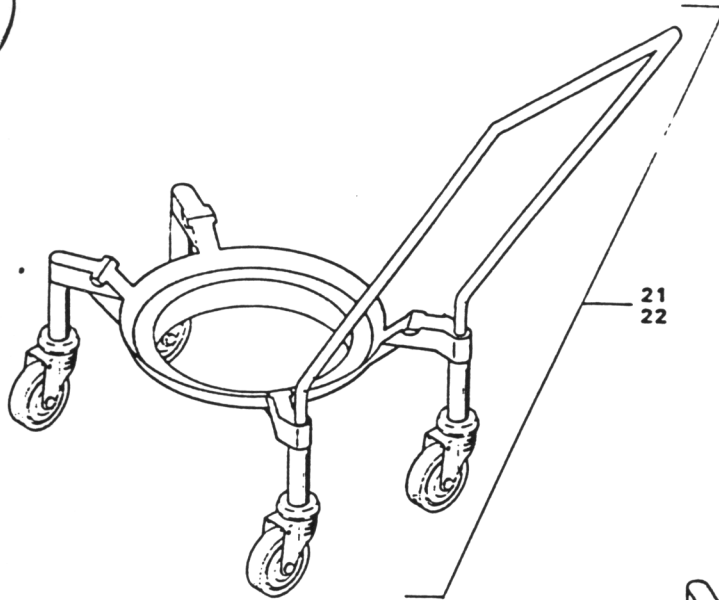
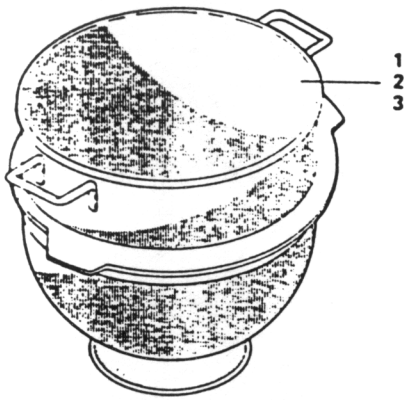
ti.
10

Tools

FIG.NO.	ORDER NO.	DESCRIPTION:
1**	R200-75m	200L bowl stainless steel
2	R150-75m	150L bowl stainless steel
3	R150-75am	150/70 bowl stainless steel
4	R150-78m	150L hook, stainless steel
5	R150-78am	150/70 hook, stainless steel
6	R150-27m	150L flat beater
7	R150-27am	150/70L flat beater
8**	R200-27m	200L flat beater, stainless steel
9	R150-27.2m	150L flat beater, stainless steel
10	R150-27a2m	150/70L flat beater, stainless steel
11**	R200-28m	200L whip
12	R150-28m	150L whip
13	R150-28am	150/70L whip
14**	14R200	200L wing whip, stainless steel
15	14R150	150L wing whip, stainless steel
16**	44R200	200L whip with reinforcement
	44R150	150L whip with reinforcement
18	48R60	rack for mixing tools
19	R150-79	tool pin for hook
20	STA6270	rollpin Ø16 x 50
21	22R150	150L + 200L bowl truck compl.
22	22R150a	150/70L bowl truck compl.
23	22R270	lever for bowl truck
24	STA6513	plug button
25	STA5602	screw M5 x 10
26	22R100-40	bowltruck 100L + 150L + 150/70L + 200L
27	STA5608	screw M10 x 35
28	22R140.6	distance piece 123 mm for R150/70
29	22R150-520	wheel to bowltruck R150
30	22R30-520.1	wheel to bowltruck
31	STA5642	screw M10 x 25

Cannot be used for the standard
150L mixer.

Bowl and Tool



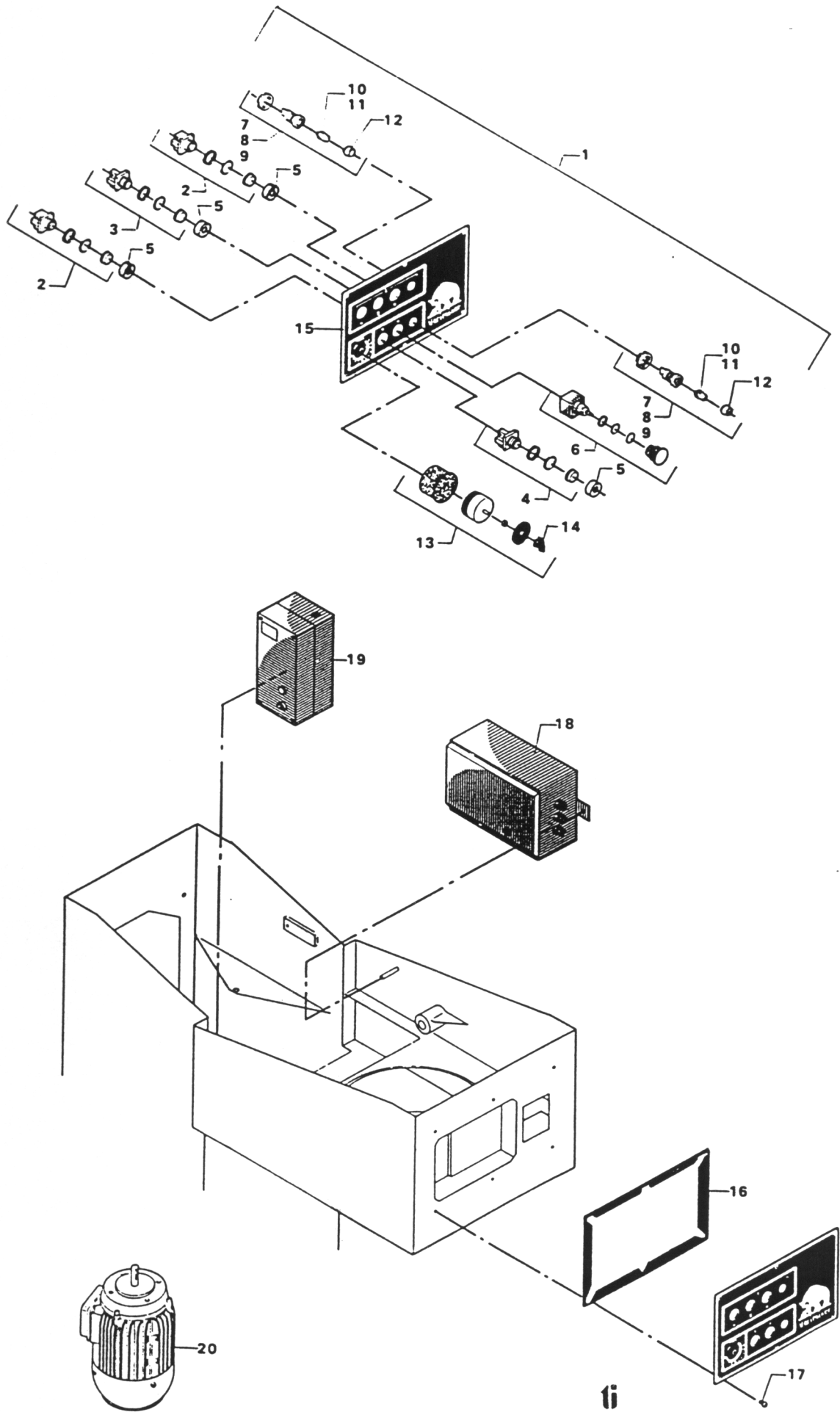
ti

Front Panel

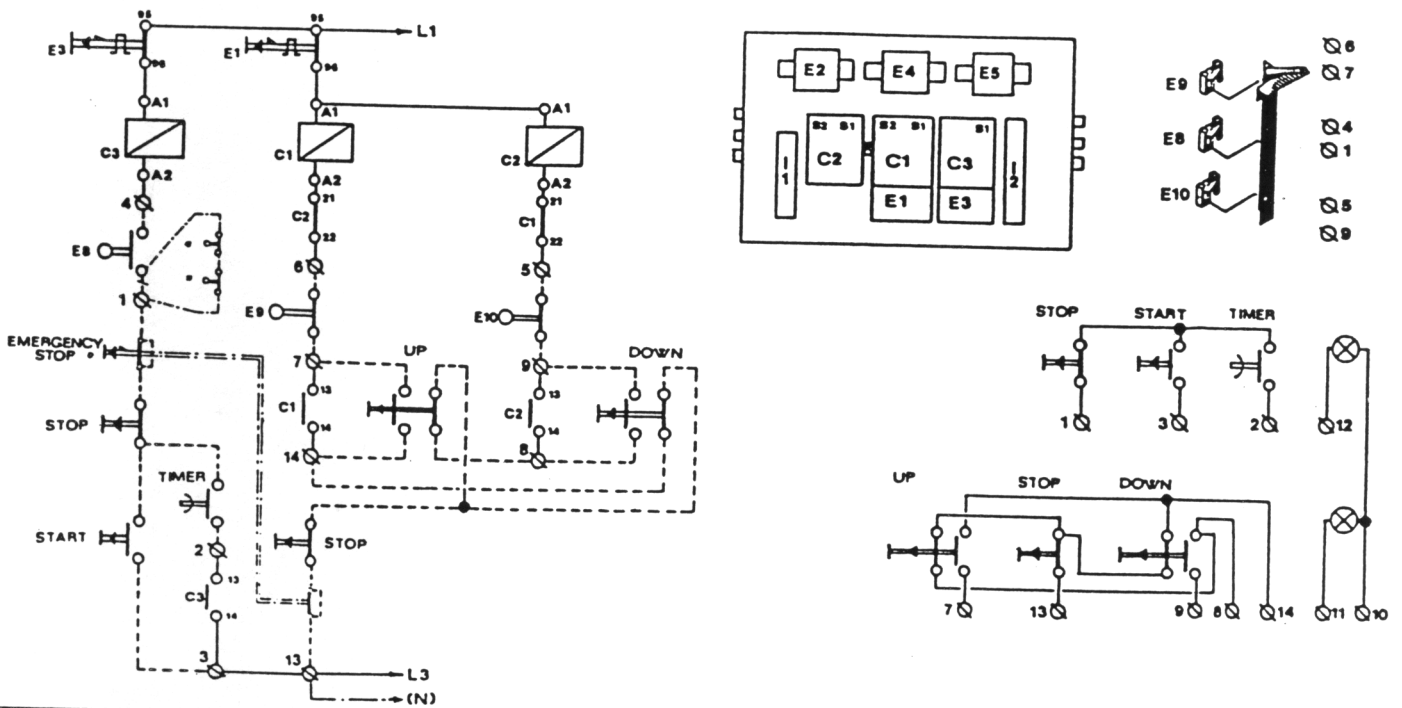
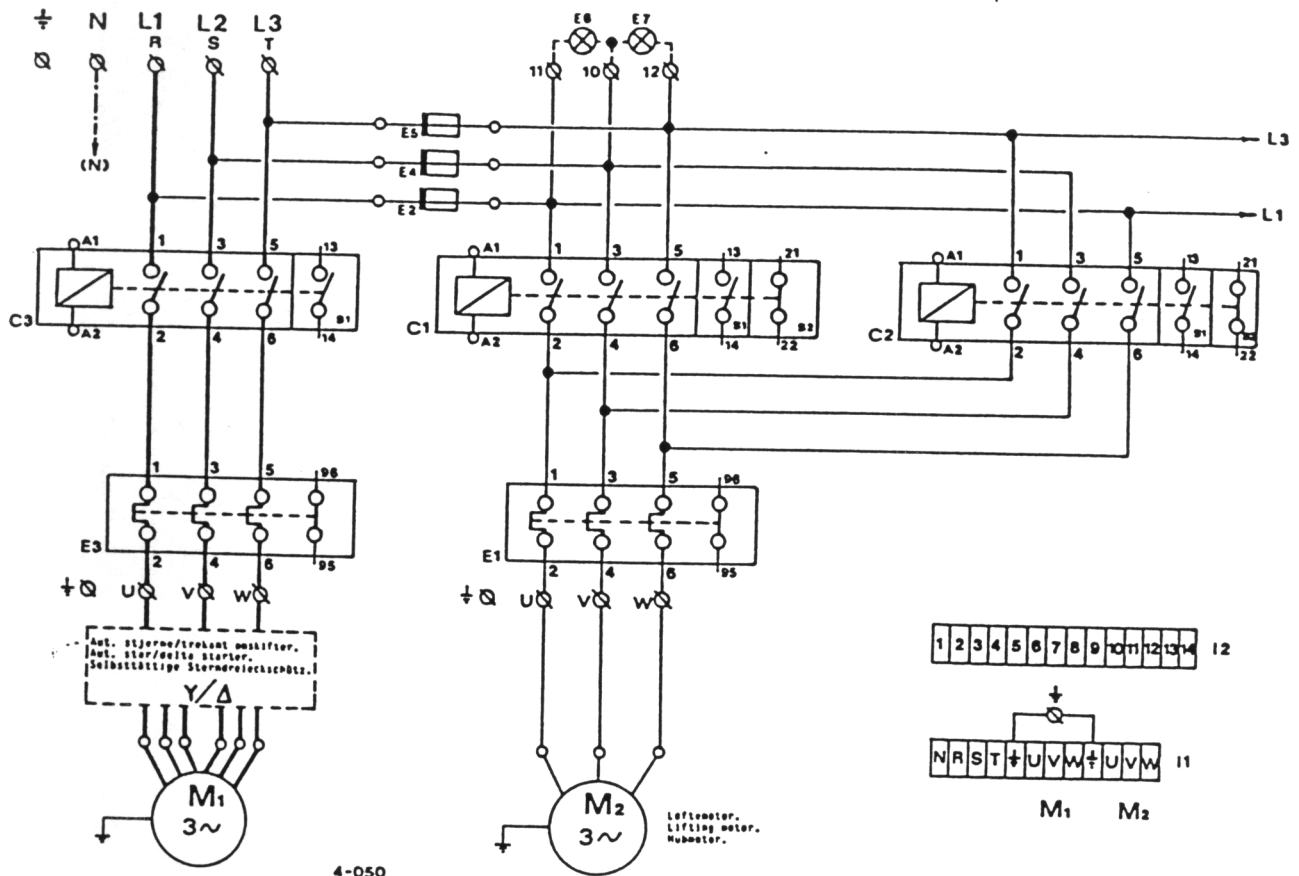
FIG.NO. ORDER NO. DESCRIPTION:

1	R150-149.01z	instrument panel assy.
2	R150-178	push button compl. ABN 111
3	R150-179	push button compl. ABN 101
4	R150-176	startswitch complete ABN 110
5	R150-185	cover
6	R150-180	stopswitch complete ABN 301
7	R27-186	lamp compl. 220v
8	R27-186.0	lamp compl. 380v
9	R27-186A	lamp compl. UL/CSA
10	R27-186.4	bulb 380v
11	R27-186.3	bulb 220v
12	R27-186.2	lins
13	R27-188.1z	timer compl.
14	W30-189	knob for timer
15	R150-149	instrument panel
16	R150-208	packing for panel
17	STA5613	screw, black, M6 x 8
18	...	electr.control box compl.
19	...	star/delta starter compl.
20	...	motor
	...	spare part number, see page 20.

Front Panel



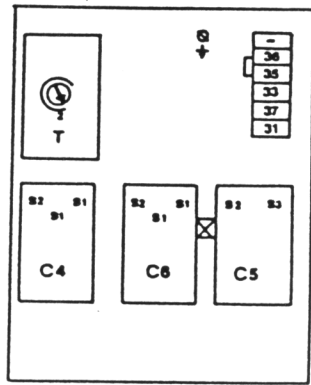
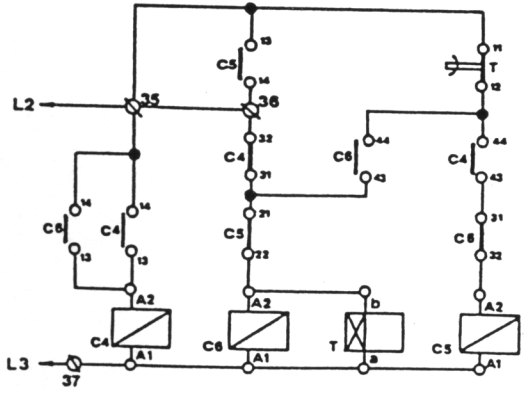
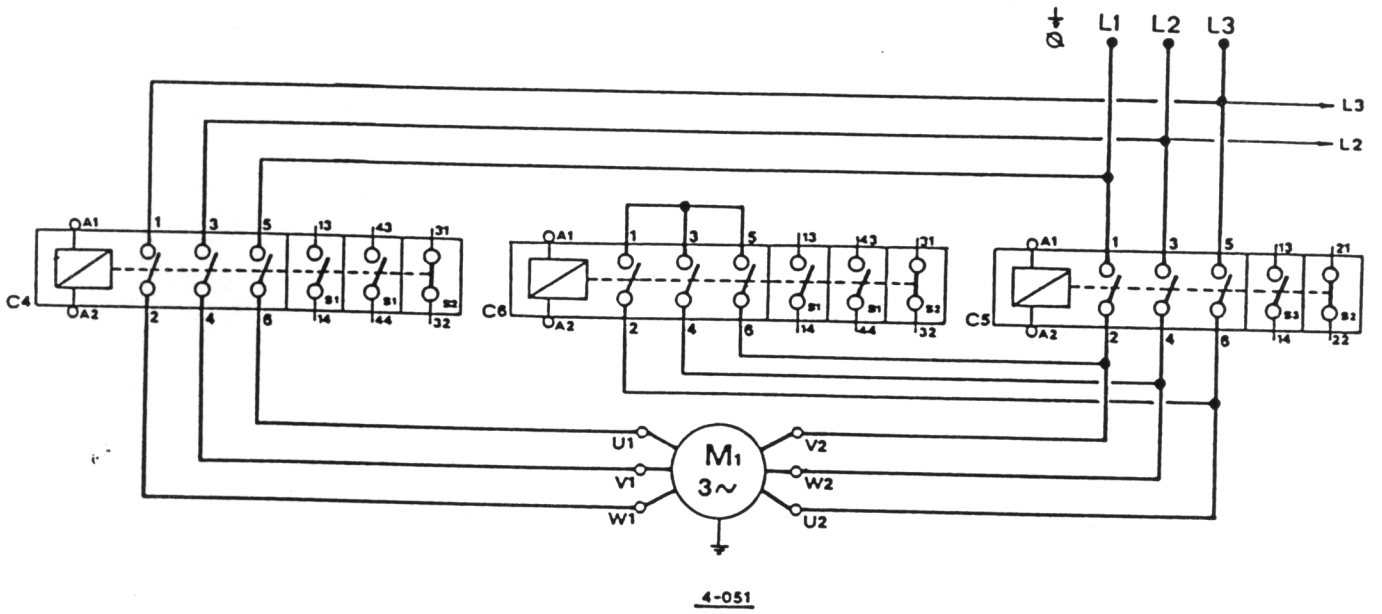
ELECTR. CONTROL BOX



- C1-C2-C3
- S1-S2
- E1-E3
- M1
- M2
- I1-I2
- E6-E7
- E2-E4-E5
- E8-E9-E10

- Relay for motor
- Auxiliary switch
- Thermal overload relay
- Motor
- Lifting motor
- Connector
- Lamp
- Fuse 6 amp.
- Microswitch
- Microswitch for safetyguard
- Microswitch for cover
- Emergency stop

R150 MK-I STAR / DELTA STARTER



C4-C5-C6
M1
S1-S2-S3
T

Relay for motor
Motor
Auxiliary switch
Timer