

V100PL



Spare parts manual

Valid from machine number:
100002125

Varimixer

Varimixer USA
2215 East River Road
Moraine, Ohio 45439

P: (800) 222-1138
varimixerusa.com

EN

DRN: 24100-1436
2022 10 31

SPEED REGULATION.....	3
TRANSMISSION	4
PLANETARY HEAD	6
MACHINE COLUMN.....	8
SAFETY GUARD	10
LIFTING SYSTEM	12
ATTACHMENT DRIVE.....	14
MICROSWITCHES	16
CABLES.....	17
ELECTRIC COMPONENTS.....	18
FRONT PANEL ASSEMBLY.....	20
BOWLS AND MIXING TOOLS	22

ORDERING OF SPARE PARTS:

Sales of spare parts for our mixers, are handled in our sales and service department. When ordering spare parts, the following information must be provided:

- 1. Type of machine.**
- 2. Number of the machine.**
- 3. Article number of the spare part in question. (Order no.)**
- 4. Method of conveyance.**

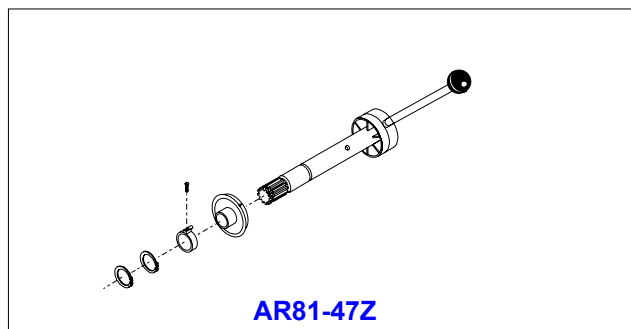
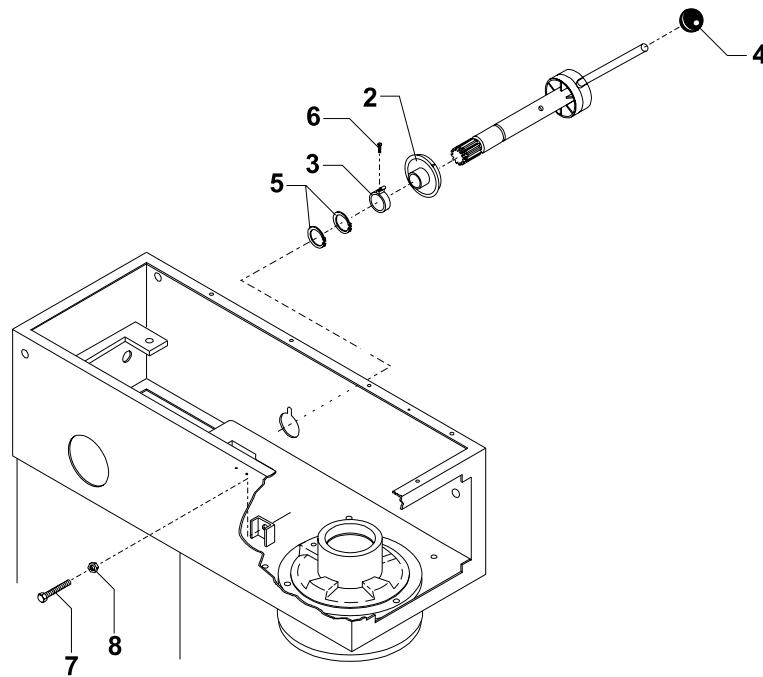
If one of the above pieces of information is missing, please contact our sales and service department before placing the order, as then we can assist you in finding the correct article number (**order no.**) of the spare part in question.

A few spare parts are not sold alone, in such cases reference is made at the pos.number to the assembly number to be used for ordering. The assembly numbers are shown on the relevant pages.

Returning of spare parts is only allowed when agreed with:

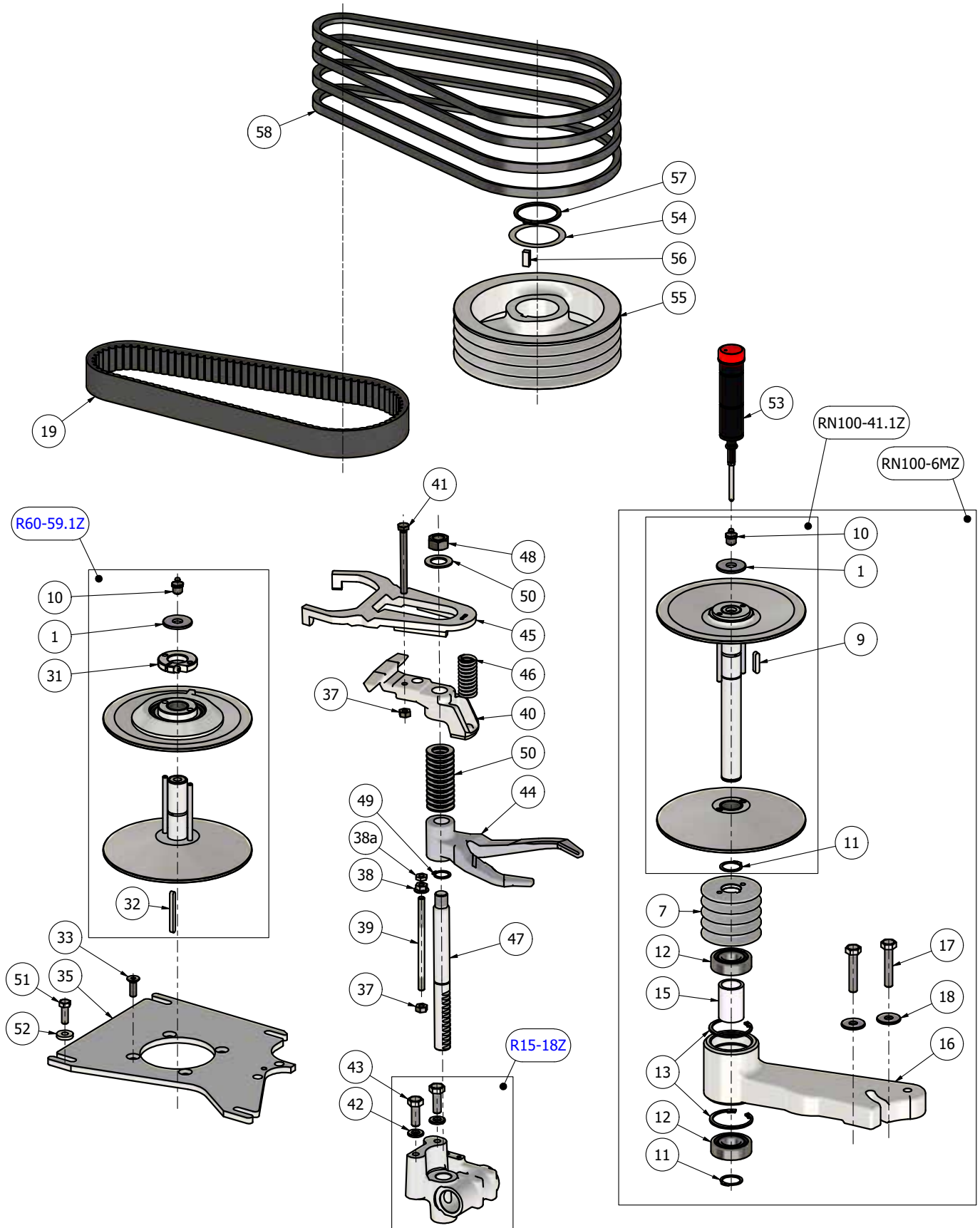
Varimixer A/S

FIG NO.	ORDER NO.	DESCRIPTION
2	AR30-47.10	Disc with arrow
3	AR30-47.11	Clamp
4	STA3306	Knob
5	STA3414	Circlip
6	STA5247	Screw
7	STA5439	Screw
8	STA5810	Nut
	AR81-47Z	Speed selector assembly



TRANSMISSION

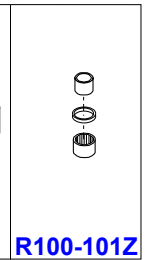
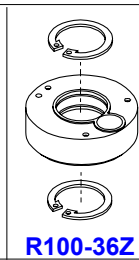
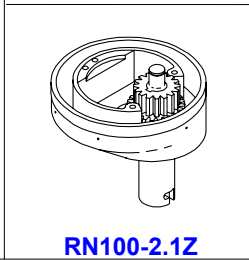
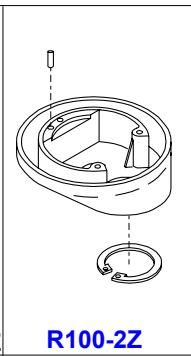
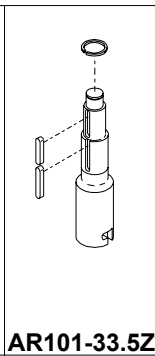
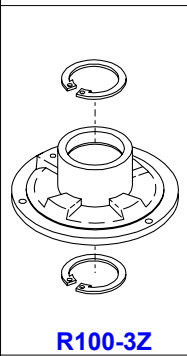
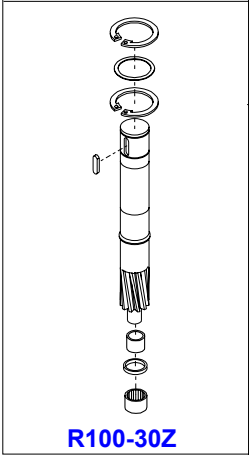
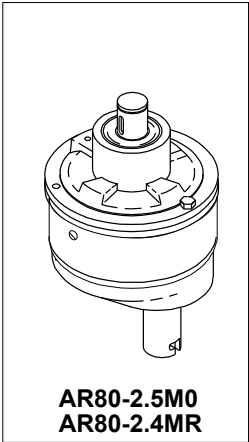
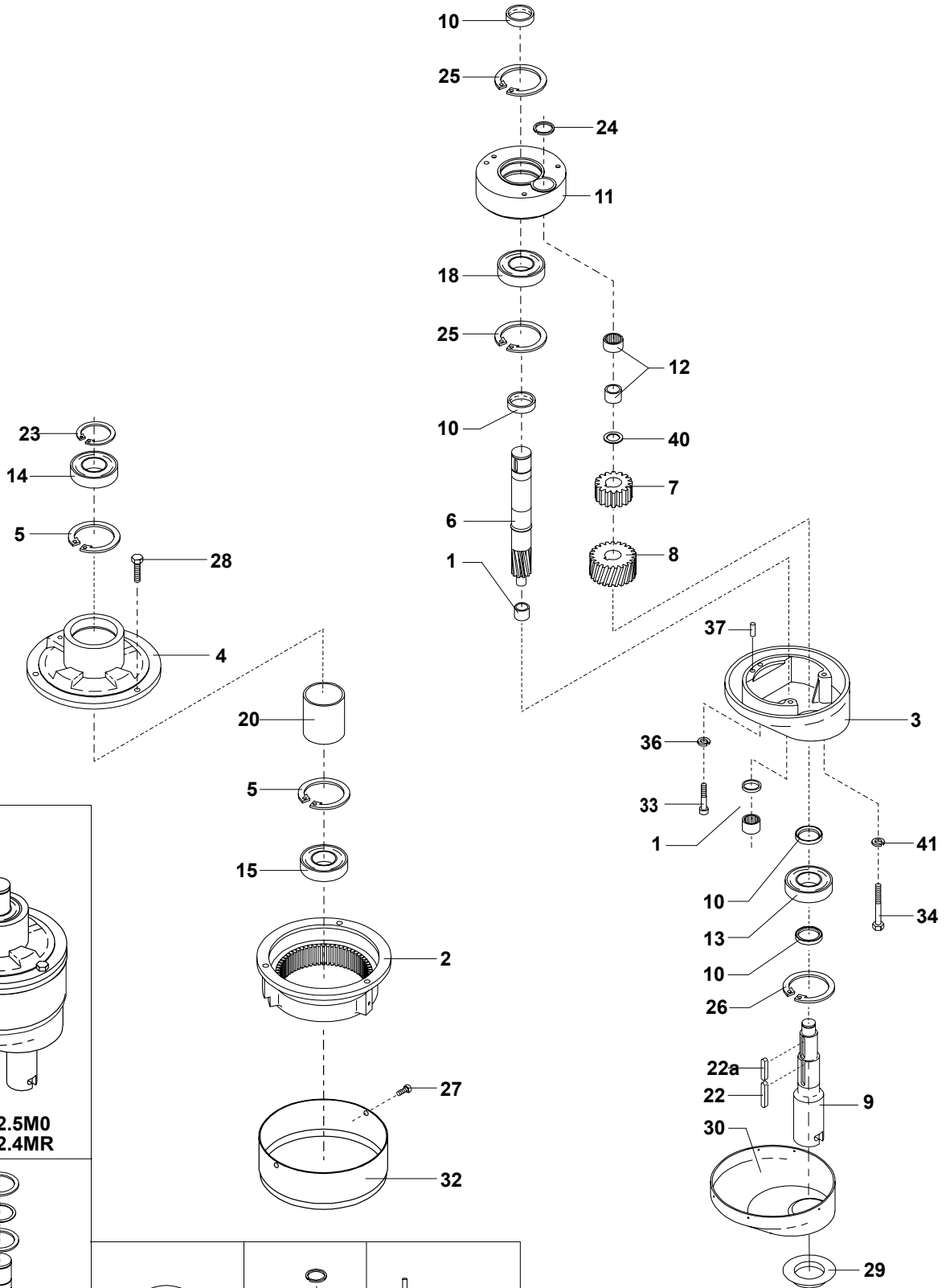
FIG NO.	ORDER NO.	DESCRIPTION
1	STA6018	Washer
7	RN100-128	Pulley small
9	STA2024	Feather Key
10	STA3220	Grease nipple
11	STA3410	Circlip
12	6205 2RS	Ball bearing
13	STA3514	Circlip
15	RN100-143	Distance bushing
16	RN100-6	Bearing arm
17	STA5348	Hex cap screw
18	STA6033	Washer
19	R60-91	V-belt
31	R27-227Z	Clamping ring
32	STA2011	Feather Key
33	STA5018	countersunk head screw
35	R60-61.1E	Base for motor
36	R15-18Z	Bearing bracket
37	STA5810	Hex Nut
38	STA5895	Hex flange nut
38a	STA5812	Hex Nut
39	AR81-305	Stud bolt
40	R20-26.1	Support bracket for belt
41	STA5446	Hex cap screw
42	STA6026	Washer
43	STA5345	Hex cap screw
44	R27-16	Fork for belt tightener, lower
45	R20-19	Fork for belt tightener
46	W40P-275	Compression spring
47	R15-46Z	Toothed rack shaft
48	STA5815	Hex Nut
49	STA3407	Circlip
50	STA6040	Washer
51	STA5433	Hex cap screw
52	STA6034	Washer
53	R15-142	Grease gun
54	STA6048	Washer
55	RN100-129A	Belt pulley
56	STA2030	Feather Key
57	STA3419	Circlip
58	RN100-90.1	V-belt



- R60-59.1Z Motor pulley, assembly
- RN100-6MZ..... Pulley bearing arm, assembly
- RN100-41.1Z..... Pulley assembly
- R15-18Z Bearing bracket, assembly

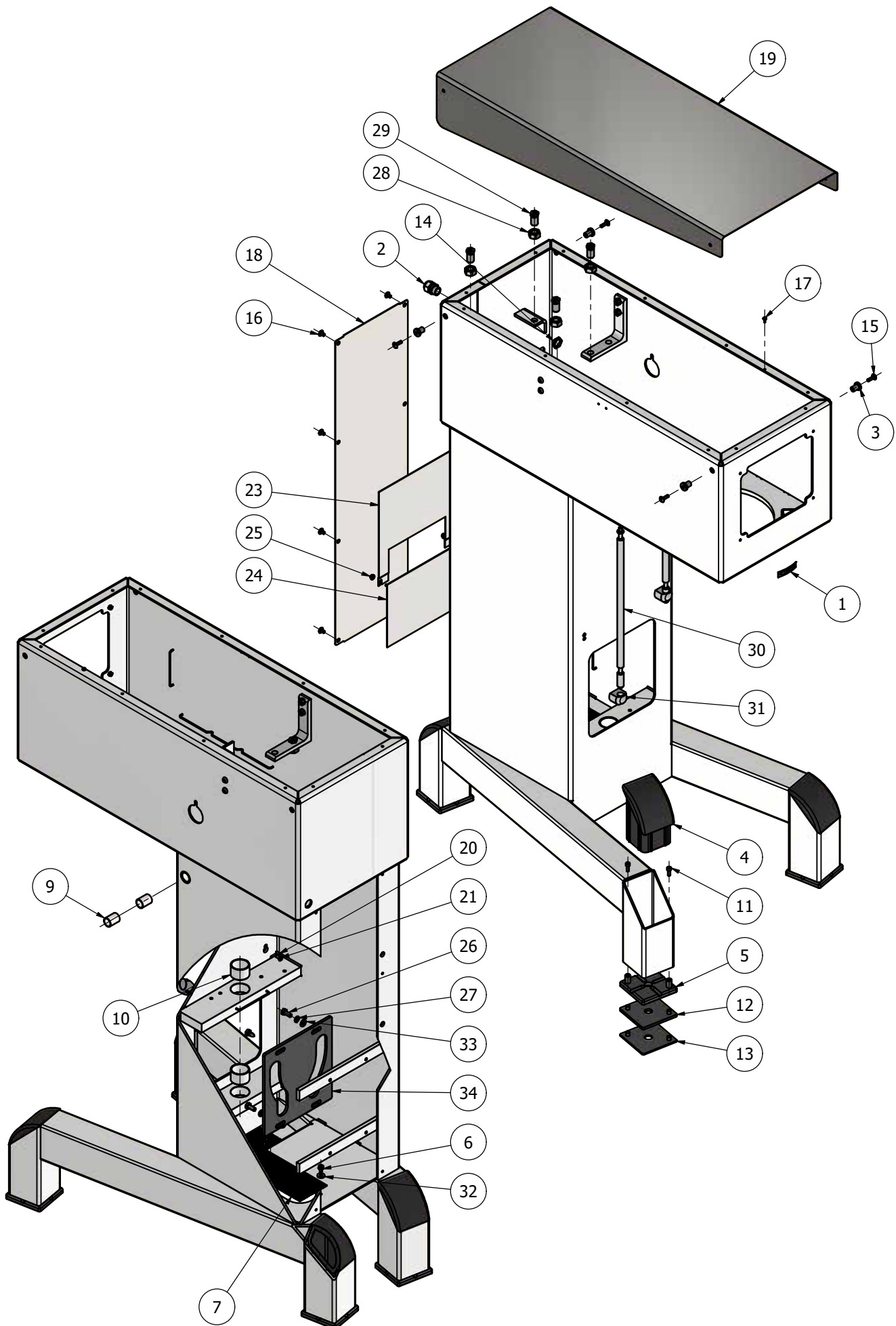
PLANETARY HEAD

FIG NO.	ORDER NO.	DESCRIPTION
.....	*1) .. AR80-2.5M0.....	Planetary head, assembly
.....	*3) .. AR80-2.4MR.....	
.....		
1	R100-101Z.....	Needle bearing, kit
2	*1) .. R100-1	Gear wheel rim
.....	*3) .. R100-1M5.....	
3	*1) .. R100-2Z.....	Eccentric head, kit
.....	*3) .. R100-2M5.....	
4	*1) .. R100-3Z.....	Main bearing, kit
.....	*3) .. R100-3M5.....	
5	STA3532	Circlip
6	R100-30	Main shaft
7	AR140-31.....	Rim pinion
8	R100-32.1	Rim pinion, lower
9	AR101-33.5.....	Bayonet shaft
10	R100-37	Distance piece
11	R100-36.....	Eccentric disc
12	R100-96.....	Needle bearing
13	R100-97.....	Ball bearing
14	R100-98.....	Ball bearing
15	R100-99.....	Ball bearing
18	R100-100	Ball bearing
20	R100-141	Distance tube
22	STA2039	Feather Key
22a	STA2034	Feather Key
23	STA3419	Circlip
24	STA3478	Circlip
25	STA3530	Circlip
27	*1) .. STA5263	Screw
.....	*3) .. STA9003	
28	STA5333	Screw
29	R100-209	Seal ring
30	W100-272	Cap, planetary head
32	AR80-162H.....	Plastic cap
33	STA5644	Screw
34	STA5652	Screw
36	STA6057	Lock washer
37	STA6460	Grooved pin
40	R100-235	Washer
41	STA6029	Washer
.....		
.....	*1) .. Standard version.....	
.....	*3) .. Stainless steel frame version	
.....		
.....	R100-30Z	Main shaft, kit
*1).....	R100-3Z	Main bearing, kit
.....	AR101-33.5Z.....	Bayonet shaft, kit
*1).....	R100-2Z	Eccentric head, kit
*1).....	RN100-2.1Z	Eccentric head mounted
.....	R100-36Z	Eccentric disc, kit
.....	R100-101Z	Needle bearing, kit



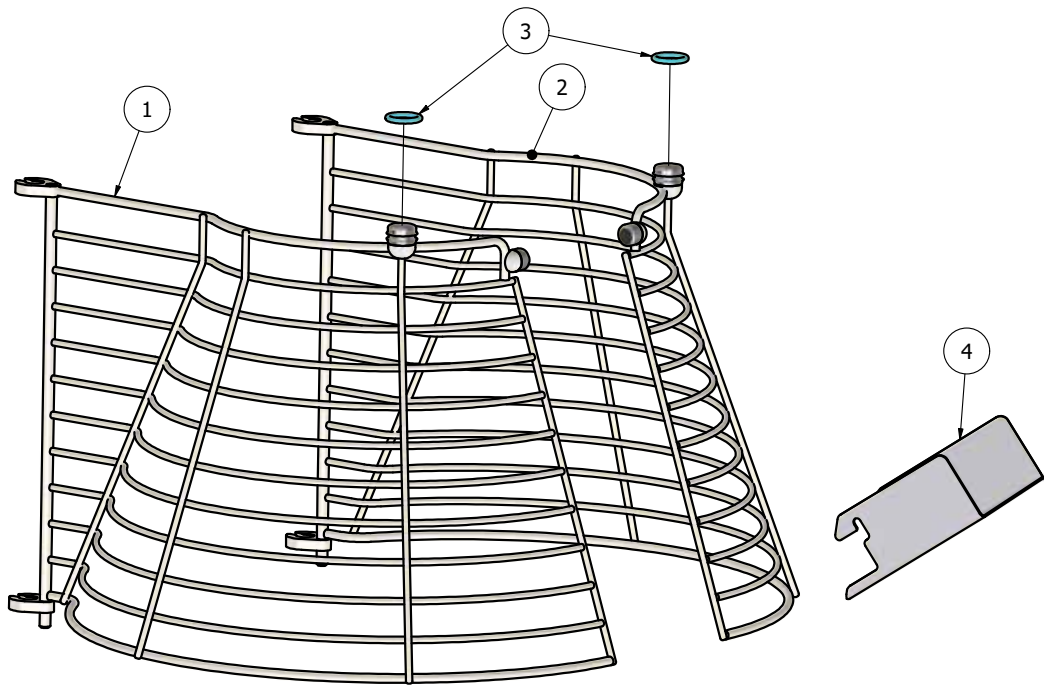
MACHINE COLUMN

FIG NO.	ORDER NO.	DESCRIPTION
1	R15-245	Arrow sign
2	STA3002	Cable gland
3	STA6580	Threaded bushing
4	AR80-212	Blanking plug
5	AR80-213	Base plate
6	STA5045	Screw
7	AR31-22.180	Grate
9	STA2515	Bearing bushing
10	STA2526	Bearing bushing
11	STA5615	Socket head screw
12	AR80-214.6	Adjustment plate, 3mm
13	AR80-214.3	Adjustment plate, 6mm
14	STA3014	Cable gland nut
15	STA5017	Screw
16	STA5080	Screw
17	STA5232	Self tapping Screw
18	AR101-22.17R	Cover plate
19	AR101P-21	Top cover
20	STA5724	Set screw
21	STA5624	Countersunk head screw
23	AR81-270	Cover plate, upper
24	AR81-271	Cover plate, lower
25	STA5897	Hex flange nut
26	STA5322	Hex cap screw
27	STA6056	Lock washer
28	STA5815	Hex nut
29	R20-148	Threaded bushing
30	56AE140-25	Shaft for Safety guard
31	56AR101P-25.1	Bracket for Safety guard
32	STA6165	Washer
33	STA6020	Washer
34	AR81-71	Guide plate for bowl arms



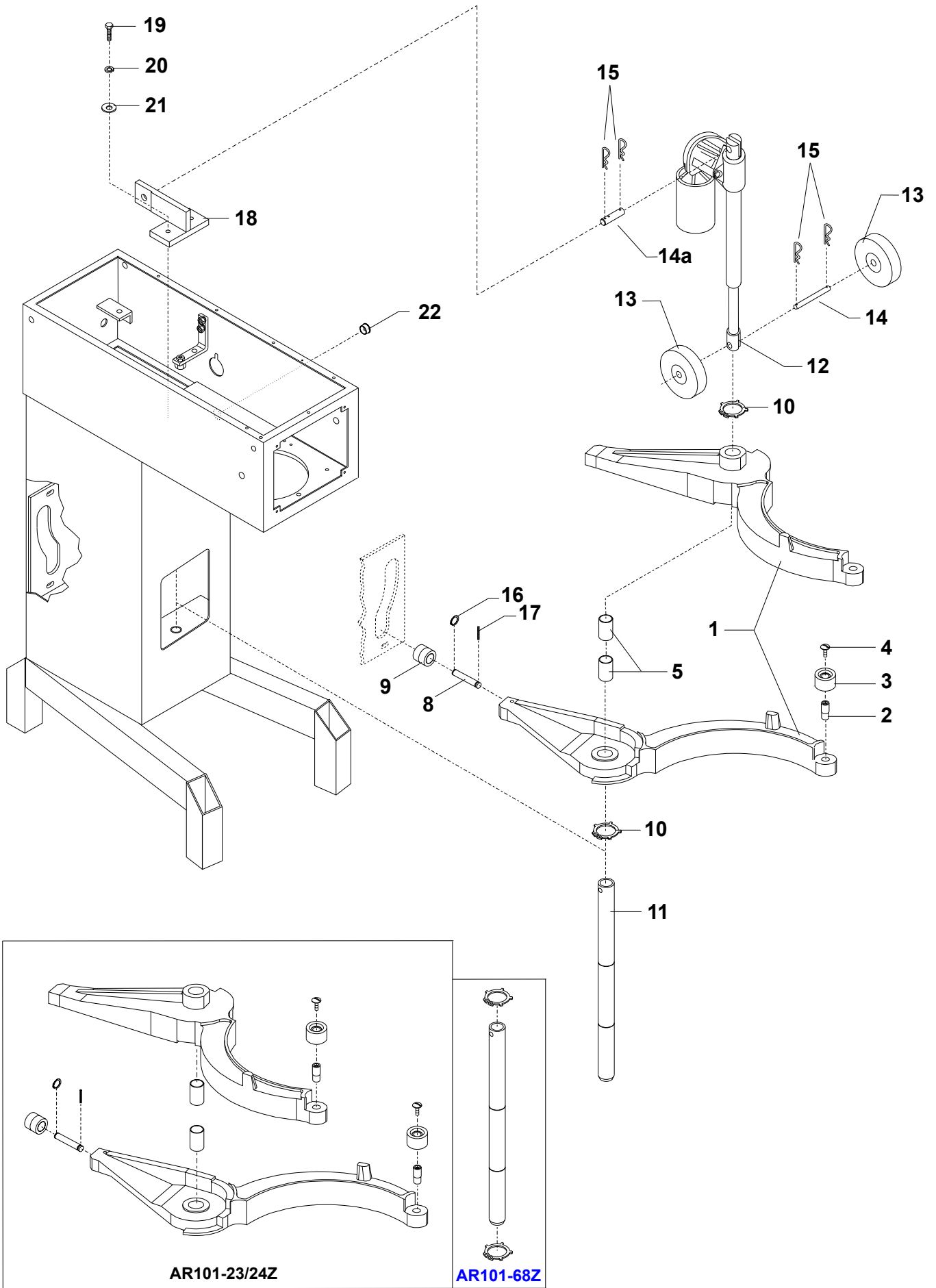
SAFETY GUARD

FIG NO.	ORDER NO.	DESCRIPTION
1	35AR101-21.1M...	Safety guard left
2	35AR101-22.1M...	Safety guard right
3	STA3149	O-ring
4	56G20-280	Filling tray



LIFTING SYSTEM

FIG NO.	ORDER NO.	DESCRIPTION
1	AR101-23/24Z	Bowl arm set, colour black
2	AR31-127	Roller shaft
3	AR31-128	roll for bowl clamping
4	STA5088	Screw
5	STA2526	Bearing bushing
8	AR81-71.10	Shaft for bowl arm guide
9	AR81-71.5M	Bush for bowl arm guide, mount
10	STA3462	Circlip
11	AR101-68Z	Bowl arm, guide rod
12	AR30-86.2B	Lifting motor
13	RN100-66	Guide for lifting motor
14	RN100-67	shaft
14a	AR80-86.41	Shaft
15	STA6005	Distance bushing
16	STA3408	Circlip
17	STA6381	Pin
18	AR101-86.40	Fitting for lifting motor
19	STA5322	Screw
20	STA6020	Washer
21	STA6056	Spring lock washer
22	STA6517	Blanking plug



..... Identification of motor, see page 18.

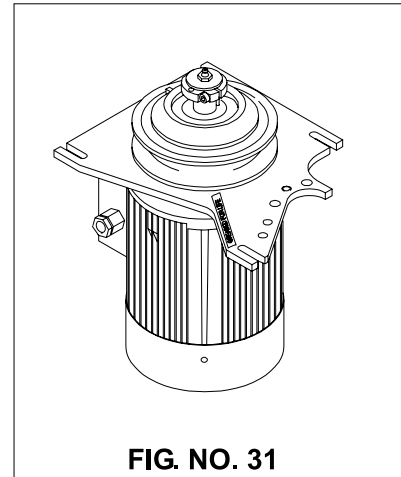
31 ..Drive unit, cable included

..... Motor **R100-85.52**, 4 HP, 3x208V/60Hz

..... 07080-3030

..... Motor **R100-85.1**, 4 HP

..... 07080-2931



This page intentionally left blank

MICROSWITCHES

FIG NO.	ORDER NO.	DESCRIPTION
1	56CR10-111M	Safety Switch
2	STA5320	Hex cap screw
3	STA5837	Lock Nut
4	STA5721	Hex cap screw
5	AR61-53.1	Bracket for switch
6	STA5274	Screw
7	AR81-173	Microswitch
8	STA5045	Hex Cap screw
9	AR81-53.01	Angle fitting
10	STA6008	Washer
11	STA5435	Hex cap screw
12	AR30-194.41M	Lifting signal cable
13	AR61-53.3	Plate
14	AR31-712	Thread plate
15	STA5816	Hex nut
16	STA6085	Lock washer
	WR60-53.3M	Lifting contacts assembly

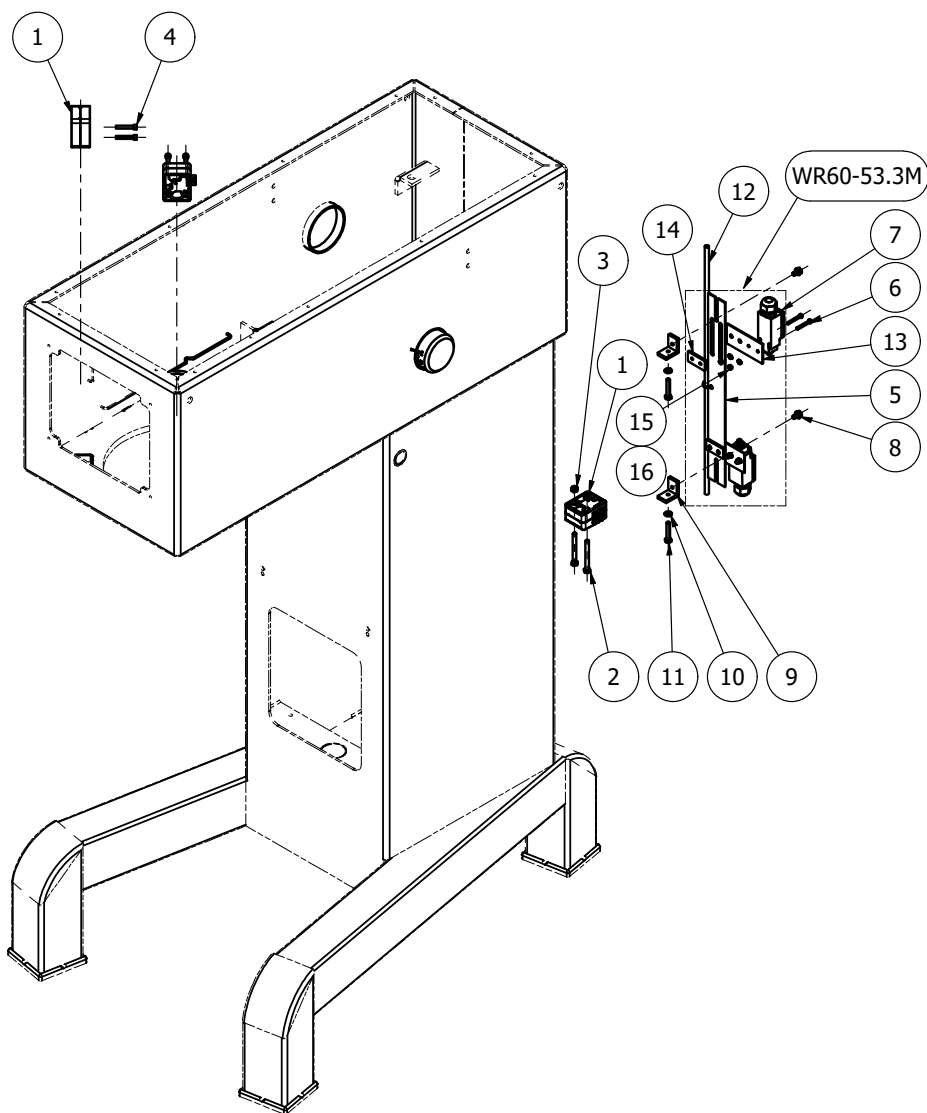
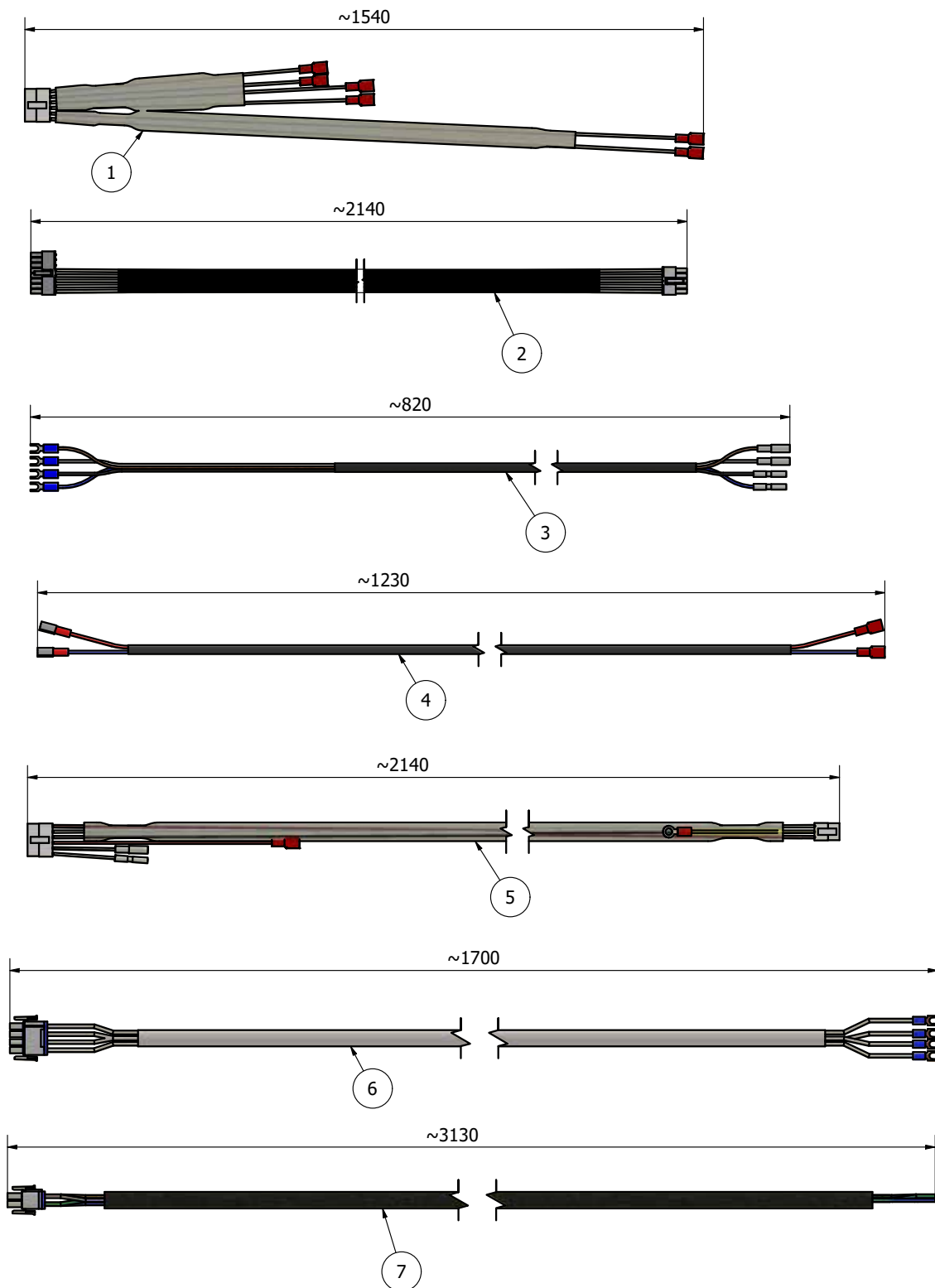


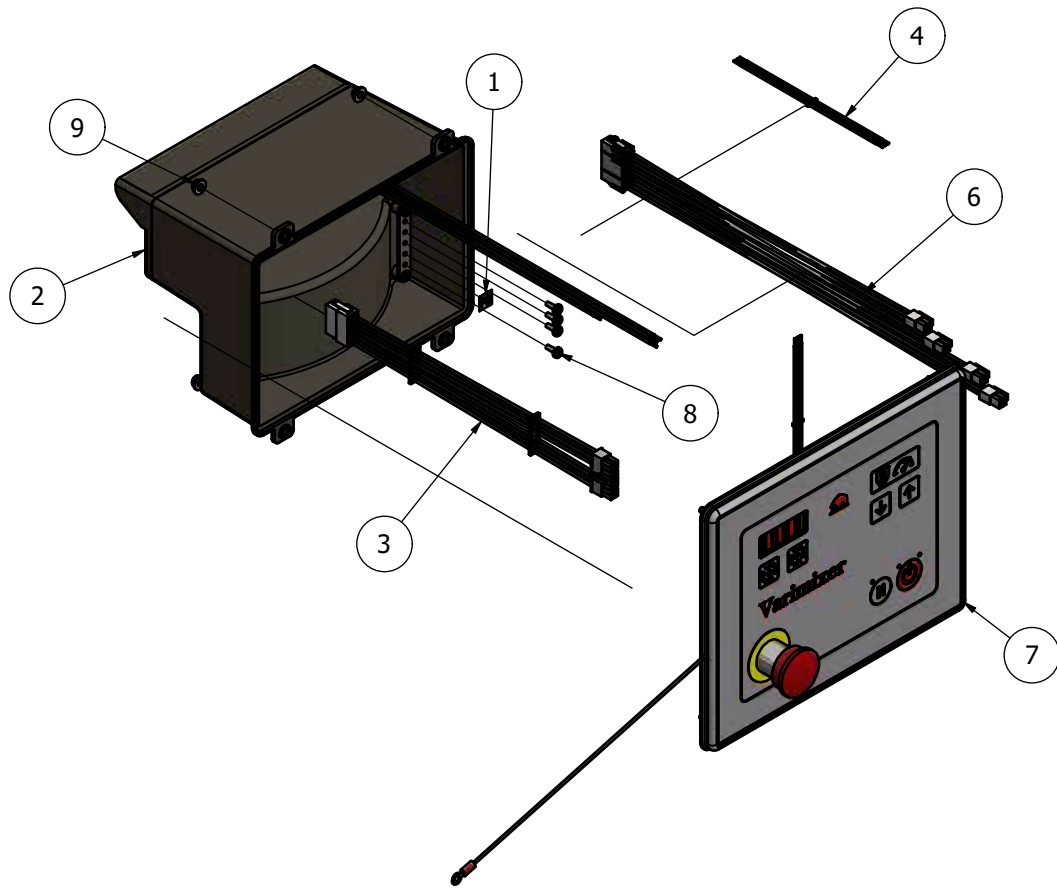
FIG NO.	ORDER NO.	DESCRIPTION
1	AR31-194.19M	Cable, safety switches
2	AR31-194.95M	Signal cable
3	AR30-194.41M	Lifting signal cable
4	AR31-194.23M	Actuator cable
5	AR31-194.87M	Supply cable
6	AR31-194.62M	Motor supply cable
7	AR31-194.65M	Power supply cable



ELECTRIC COMPONENTS

FIG NO.	ORDER NO.	DESCRIPTION
1	AR30-453.1	Physical earth label
2	AR31-152.2M	Enclosure assembly
3	AR31-194.18M	Safety cable
4	AR31-194.82M	Supply cable
5	AR31-194.88M	Supply cable
6	AR31-194.91M	Signal cable
7	AR31-530.16M	Front panel assembly
8	STA5232	Self tapping Screw
9	STA5897	Hex flange nut

Frequency [Hz]	Voltage [V]	Motor [Item no.]	Power [kW]	Current [A]	Connection	Contactor, [fig.22]	Thermal Overload Relay [fig.23]	Overload relay setting [fig.23a] [A]
60	3x208	R100-85.52	3	13	Δ	AR31-88.115	AR31-88.206	16
	3x480	R100-85.1	2,9	6,5	Y	+ AR31-88.146	AR31-88.203	8



FRONT PANEL ASSEMBLY

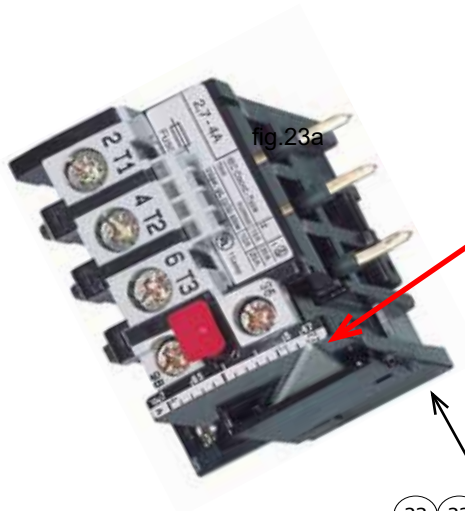
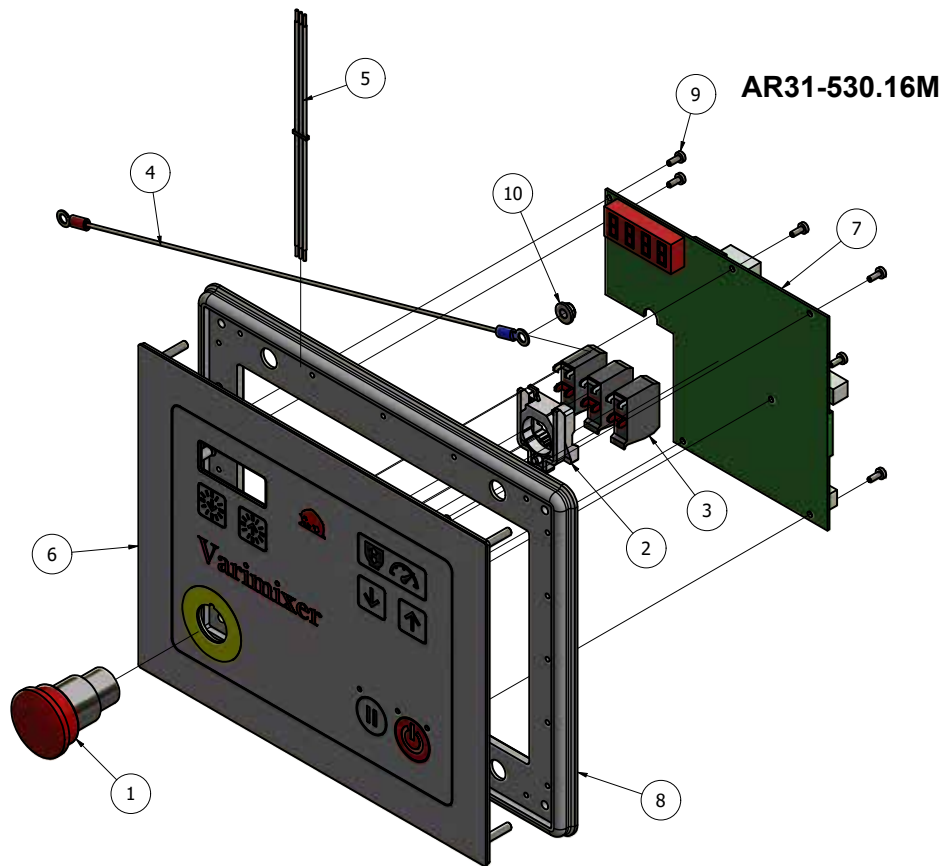
FIG NO.	ORDER NO.	DESCRIPTION
1	AR31-174.35.....	Switch emergency stop
2	AR31-174.36.....	Switch mounting Collar
3	AR31-174.37	Switch contact block
4	AR31-194.41M.....	Grounding cable
5	AR31-194.82M.....	Supply cable
6	AR31-530.6.....	Front Panel
7	AR31-532.11	Control board
8	AR31-562	Gasket
9	STA5762	Pan head screw
10	STA5897	Hex flange nut

ENCLOSURE BOX ASSEMBLY

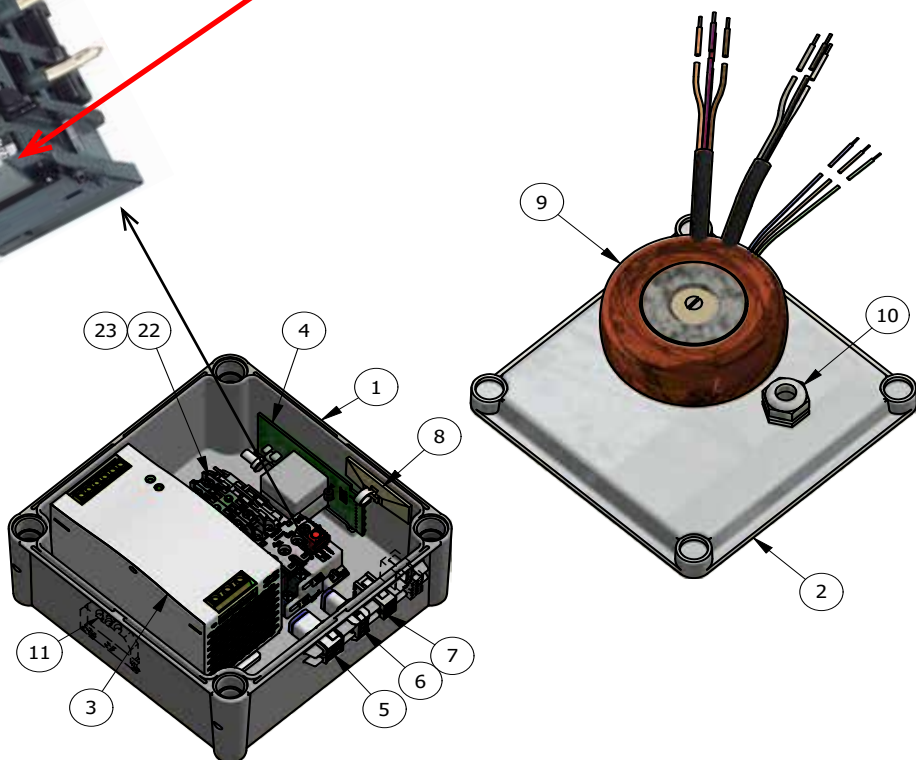
FIG NO.	ORDER NO.	DESCRIPTION
1	AR31-418.9M.....	Enclosure
2	AR31-418.6.....	Enclosure cover
3	AR31-414.1.....	Power Supply
4	AR30-425.1.....	Electronic limit switch
5	AR31-194.58M.....	Wire harness
6	AR31-194.64M.....	Wire harness
7	AR31-194.86M.....	Wire harness
8	STA6161	Cable tie mount
9	*1) .. AR30E-430	Isolating transformer
10	STA3002	Cable gland
11	AR30-457	Screw terminal
22	*2)	Contactor
23	*2)	Thermal Overload Relay

..... *1) .. With isolating transformer, >380V without neutral

..... *2) .. See page 18

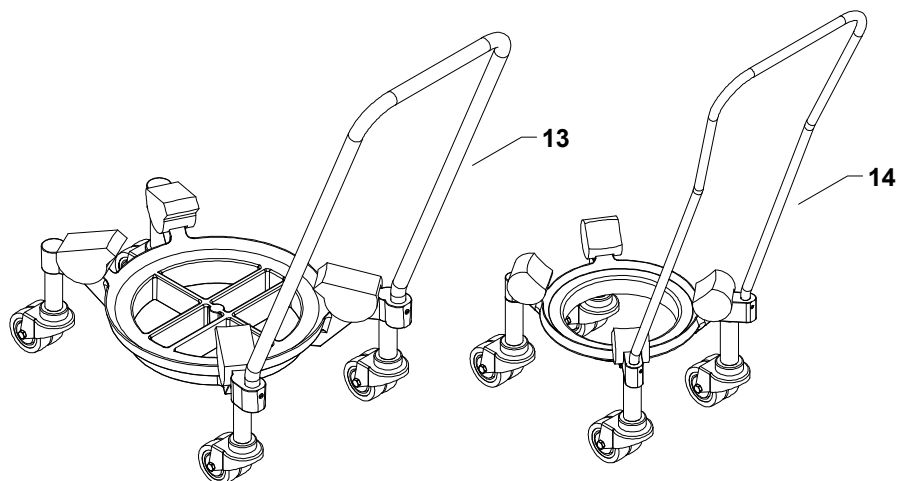
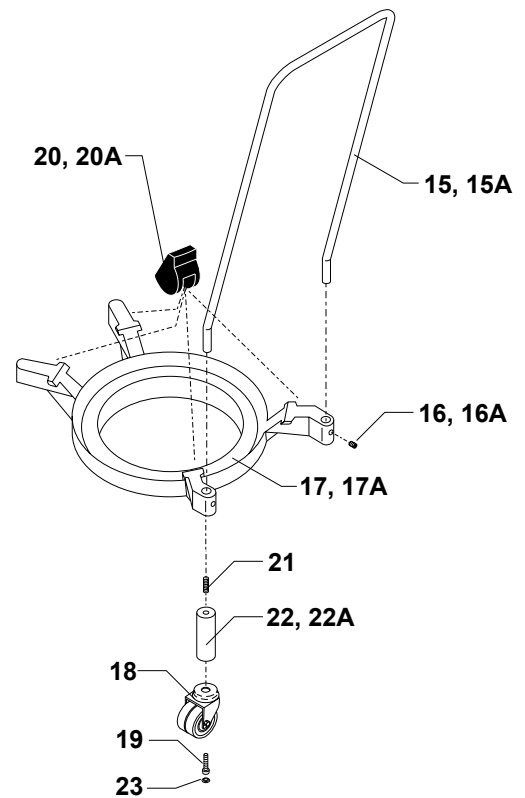
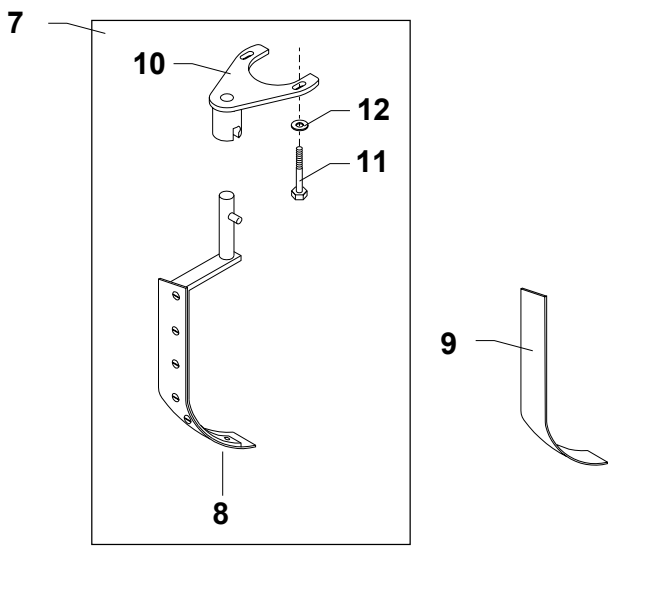
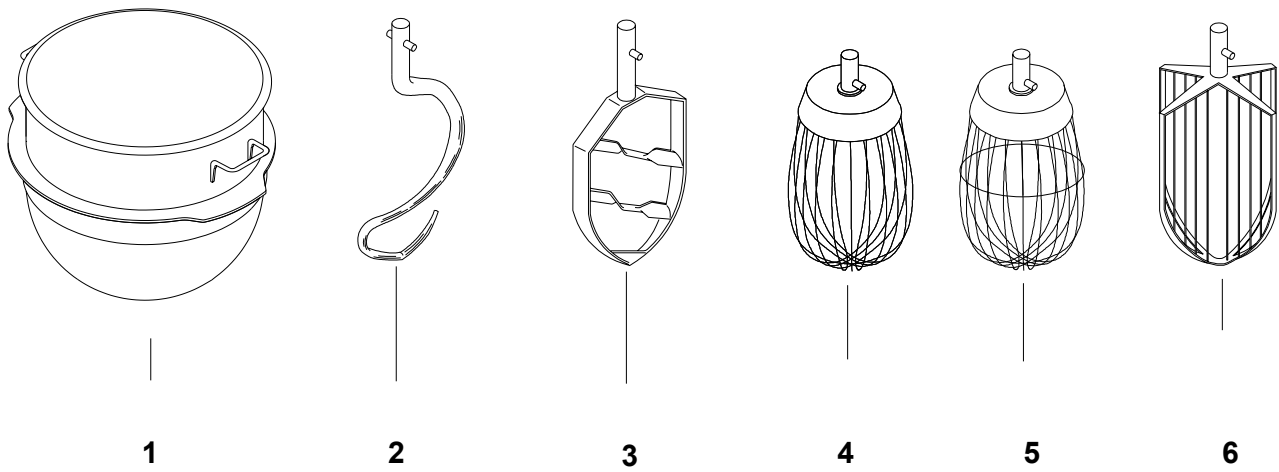


Setting see table page 18



BOWLS AND MIXING TOOLS

FIG NO.	ORDER NO.	DESCRIPTION
1A.....	VBOWL-100	100 qt. Stainless steel bowl
1B.....	VBOWL40-100	40 qt. Stainless steel bowl
1C.....	VBOWL60-100	60 qt. Stainless steel bowl
2A.....	VHOOK-100	100 qt. Stainless steel double pin hook
2B.....	VHOOK40-100	40 qt. Stainless steel double pin hook
2C.....	VHOOK60-100	60 qt. Stainless steel single pin hook
3A.....	VBEAT-100A	100 qt. Aluminum flat beater
3A.....	VBEAT-100SS	100 qt. Stainless steel flat beater
3B.....	VBEAT40-80/100	40 qt. Aluminum flat beater
3B.....	VBEAT40-100	40 qt. Stainless steel flat beater
3C.....	VBEAT60-100	60 qt. Stainless steel flat beater
4A.....	VWHIP-100	100 qt. Stainless steel wire whip
4B.....	VWHIP40-100	40 qt. Stainless steel wire whip
4B.....	VHDWHIP40-100	40 qt. Heavy-duty wire whip
4C.....	VWHIP60-100	40 qt. Stainless steel wire whip
5A.....	VHDWHIP-100	100 qt. Reinforced whip
6A.....	VWINGWHIP-100	100 qt. Stainless steel wing whip
7A** ..	VSCRIP-100	100 qt. Bowl scraper
7B** ..	VSCRIP40-100	40 qt. Bowl scraper
7C** ..	VSCRIP60-100	60 qt. Bowl scraper
8A.....	42RN100-202	80 qt. Scraper with Blade (PA)
8B.....	42RN100B-202	40 qt. Scraper with Blade (PA)
8C.....	42RN100A-202	60 qt. Scraper with Blade (PA)
9A.....	42RN100-204	80 qt. Blade (PA) for scraper
9B.....	42RN100B-204	40 qt. Blade (PA) for scraper
9C.....	42R60-204	60 qt.
10	42R100-105	Scraper holder
11	STA5652	Screw
12	STA6029	Washer
13A.....	VBTRUCK-100	100 qt. Bowl truck
14B.....	VBTRUCK40-100	40 qt. Bowl truck
14C.....	VBTRUCK60-100	60 qt. Bowl truck
15A.....	22R271	Bowl Truck Handle
15A...B.....	22R276	Bowl Truck Handle (Downsize Bowl)
16A.....	STA5676	Slotted set screw
16A...B.....	STA5675	Slotted set screw (Downsize Bowl)
17A.....	22R100-40	Bowl Truck Frame
17A...B.....	22R30-41	Bowl Truck Frame (Downsize Bowl)
18	22R150-520	Castor, Dual Wheel Bowl Truck
19	STA5642	Socket head screw
20A.....	W100-206.1	Rubber Block (4 per bowl truck)
20A...B.....	W30-206	Rubber Block (Downsize Bowl)
21	STA5608	Hex socket set screw
22A.....	22R140.5	Spacer (For Standard Bowl)
22A...B.....	22R140.1-9W	Spacer (For 40 qt Bowl)
22A...C.....	22R140.1-8W	Spacer (For 60 qt Bowl)
23	STA6556	Cover cap
.....	All materials	Stainless steel, unless otherwise specified
.....A.....	Full size bowl	
.....B.....	Size 100/40 bowl	
.....C.....	Size 100/60 bowl	
.....**	Adapted by mounting	





Varimixer

Varimixer USA
2215 East River Road
Moraine, Ohio 45439
P: (800) 222-1138
varimixerusa.com