

VULCAN

CATALOG OF REPLACEMENT PARTS

COMBI GAS OVENS

MODELS

ML-52444 VC10FGP

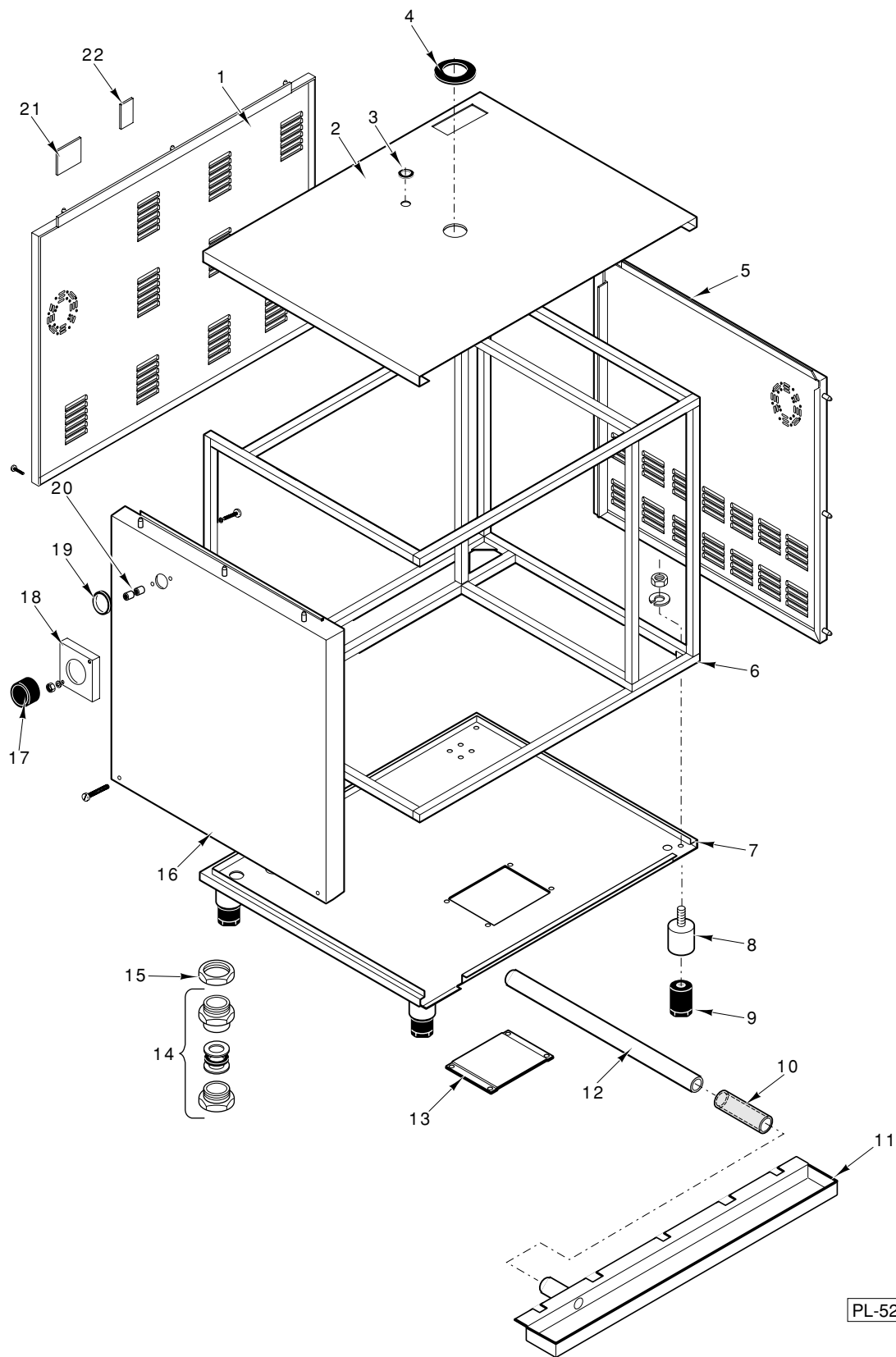
ML-52441 VC10HGP



TABLE OF CONTENTS

COMBI GAS OVENS FORM 31009

PAGE	DESCRIPTION
2	BLANK PAGE
3	TABLE OF CONTENTS
5	FRAME & PANELS (FULL SIZE)
7	FRAME & PANELS (HALF SIZE)
9	CAVITY & HEATING ELEMENT
11	DOOR ASSEMBLY
13	INTERLOCKING DOOR
15	ELECTRONIC CONTROLS
17	PIPEWORK & DRAIN
19	VENTILATION UNIT 1
21	VENTILATION OURA
23	FILTER & CARRIAGE
25	VENTILATION UNIT 2
27	GAS CONNECTIONS (HALF SIZE)
29	GAS CONNECTIONS (FULL SIZE)
31	GAS COMPONENTS (HALF SIZE)
33	GAS COMPONENTS (FULL SIZE)
35	BOOSTER HEATER (GAS)
37	ELECTRICAL COMPONENT PANEL
39	TABLE & TROLLEY ASSEMBLY

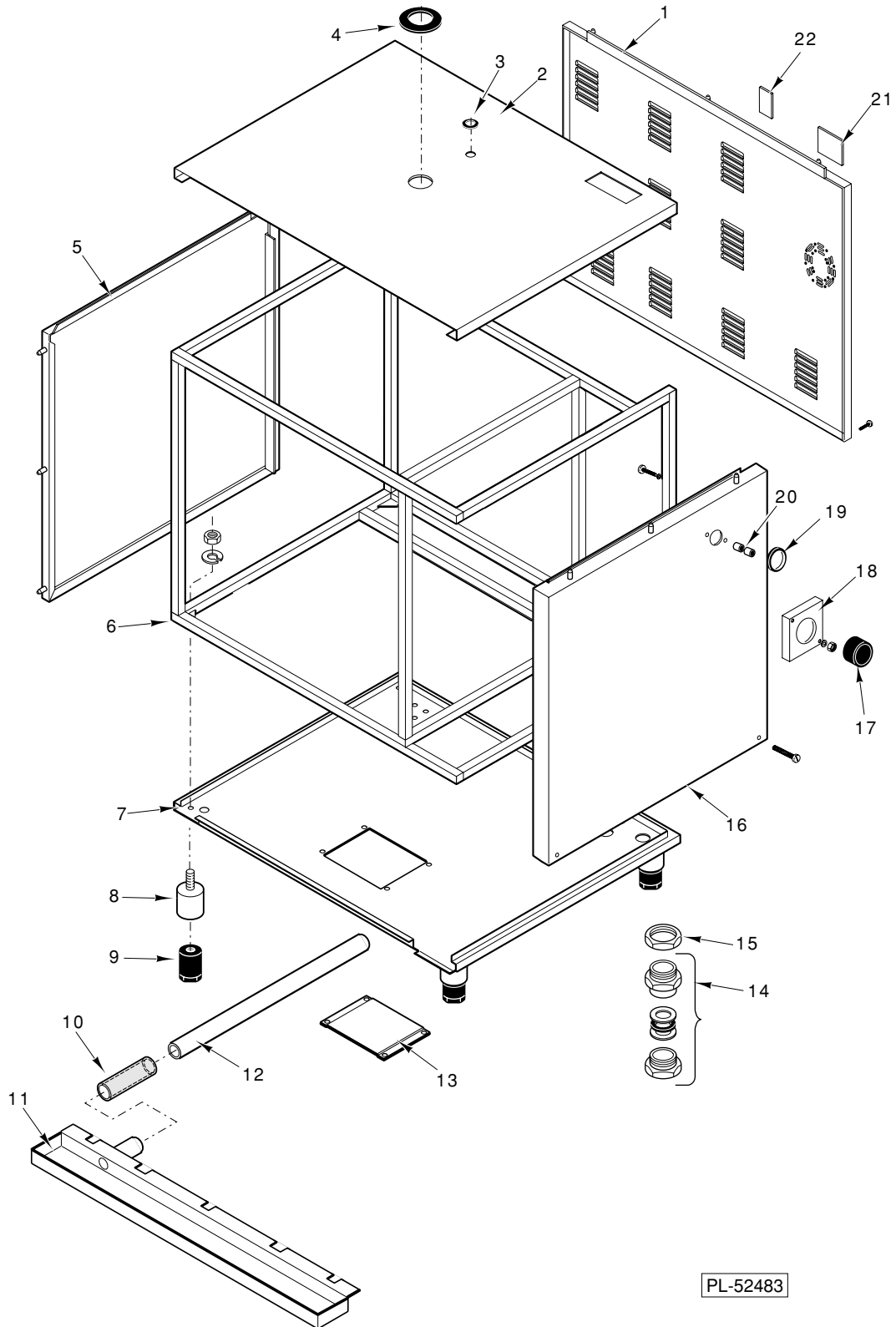


PL-52443

**FRAME & PANELS
(FULL SIZE)**

**FRAME & PANELS
(FULL SIZE)**

ILLUS. PL-52443	PART NO.	NAME OF PART	AMT.
1	00-845117	Panel-Back (10 Full Gas)	1
2	00-845118	Panel-Top (10 Full Gas)	1
3	00-492110	Grommet - Drain Pipe Vent	1
4	00-492183	Grommet 3" Vent Tube	1
5	00-845119	Panel (R.H. Side)(10 Full Gas)	1
6	00-845115	Frame (10 Full Gas)	1
7	00-845120	Panel-Bottom (10 Full Gas)	1
8	00-492357	Leg	2
9	00-322110	Insert - Plastic	1
10	00-492483	Tubing	1
11	00-492473	Gutter-Condensate (10 Gas)	1
12	00-492475-00002	Pipe - Gutter Drain	6
13	00-491988	Cover	6
14	00-845081-00002	Connector-Insulated Throat Straight	1
15	00-845081-00001	Connector-Hex Nut	1
16	00-845116	Panel (L.H. Side) (10 Full Gas)	2
17	00-493541	Filter - Air	2
18	00-844917	Cover-Filter	1
19	00-492183	Grommet 3" Vent Tube	1
20	00-845107	Tube-Spacer	1
21	00-844675	Label - Water Hook-Up	1
22	00-844674	Label - Elect. Warning	1

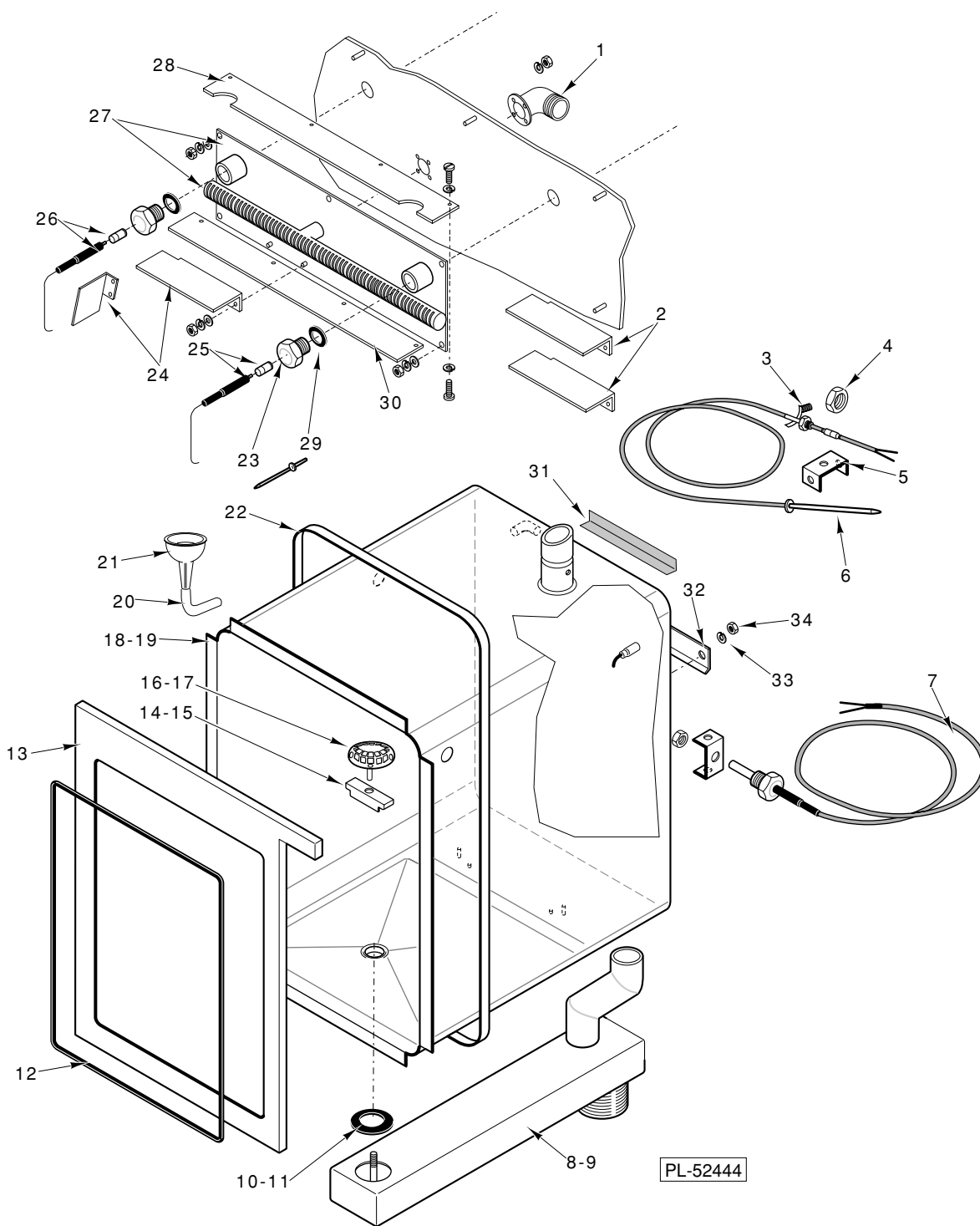


PL-52483

**FRAME & PANELS
(HALF SIZE)**

FRAME & PANELS (HALF SIZE)

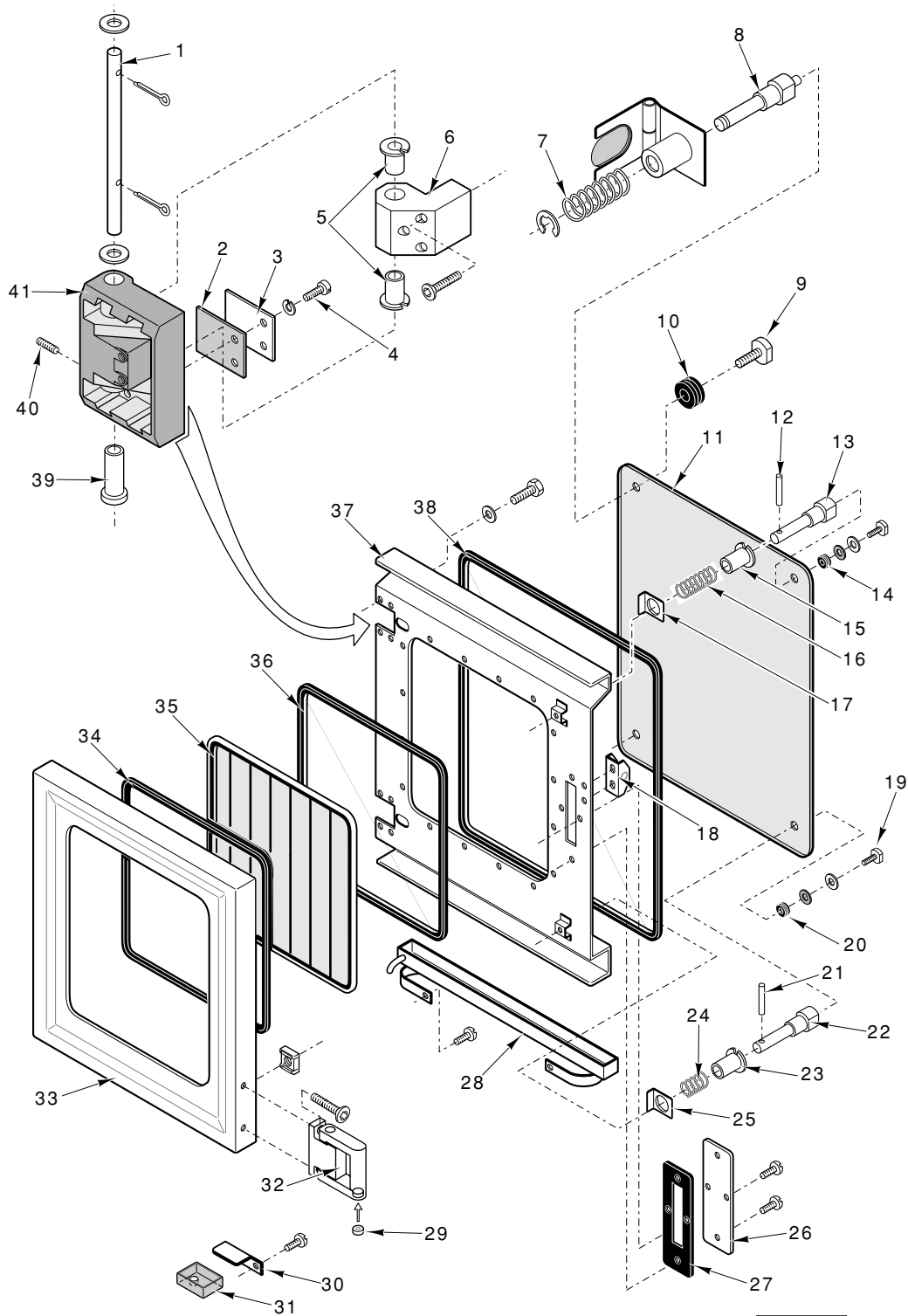
ILLUS. PL-52483	PART NO.	NAME OF PART	AMT.
1	00-844600	Panel-Back (10 Half Gas)	1
2	00-844599	Panel-Top (10 Half Gas)	1
3	00-492110	Grommet - Drain Pipe Vent	1
4	00-492183	Grommet 3" Vent Tube	1
5	00-492077-00002	Panel (L.H. Side)(10 Half Gas)	1
6	00-844603	Frame (10 Half Gas)	1
7	00-844601	Panel-Bottom (10 Half Gas)	1
8	00-492357	Leg	2
9	00-322110	Insert - Plastic	1
10	00-492483	Tubing	1
11	00-492473	Gutter-Condensate (6 & 10 Level Combi)	1
12	00-492475-00002	Pipe - Gutter Drain	6
13	00-491988	Cover	6
14	00-845081-00002	Connector-Insulated Throat Straight	1
15	00-845081-00001	Connector-Hex Nut	1
16	00-844602	Panel (R.H. Side) (10 Half Gas)	2
17	00-493541	Filter - Air	2
18	00-844917	Cover-Filter	1
19	00-492183	Grommet 3" Vent Tube	1
20	00-845107	Tube-Spacer	1
21	00-844675	Label - Water Hook-Up	1
22	00-844674	Label - Elect. Warning	1



CAVITY & HEATING ELEMENT

CAVITY & HEATING ELEMENT

ILLUS. PL-52444	PART NO.	NAME OF PART	AMT.
1	00-844612	Fitting - Burner	1
2	00-844611	Baffle - Air	2
3	00-322369	Plate - Screw	1
4	NS-047-52	Full Nut M10 Hex	1
5	00-322426	Bracket - Meat Probe	1
6	00-844919-00002	Probe - Thermocouple J 4mm	1
7	00-492997	Thermocouple, Cavity J	1
8	00-844614	Drain - Weldment (10 Half Gas)	1
9	00-845121	Drain - Weldment (10 Full Gas)	1
10	00-233982-00006	O Ring	1
11	00-233982-00007	Gasket - Drain (Full Size 62.87 ID x 10.66 OD)	1
12	00-492455	Gasket - Cavity Face Seal	1
13	00-492348-00002	Frame - Cavity	1
14	00-493544	Bracket - Interior Drain Strain (Half)	1
15	00-493545	Retainer - Drain (Full Size)	1
16	00-493542	Knob	1
17	00-493543	Strainer - (Full Size)	1
18	00-844613	Cavity (Half Gas)	1
19	00-845122	Cavity (Full Size)	1
20	00-844672-00001	Hose - Deliming (18mm 1D x 24mm OD x 720mm Long)	1
21	00-492201	Funnel - Deliming	1
22	00-492449	Strap-Insulation	3
23	00-844610	Fitting - Electrode Bolt	2
24	00-844611	Baffle - Air	2
25	00-844804	Electrode - Flame Sensor	1
26	00-844803	Electrode - Flame Ignitor	1
27	00-844607	Burner - Gas Combi	1
28	00-844608	Deflector - Burner Top	1
29	00-493927	Gasket (13mm ID x 18mm OD)	2
30	00-844609	Deflector - Burner	1
31	00-153333	Insulator - High Limit Bulbs	1
32	00-322194	Bracket - High Limit Probe	1
33	WL-019-69	Lockwasher - M5 External Shakeproof	1
34	NS-047-37	Nut - M5 X 0.8 Hex SST	2

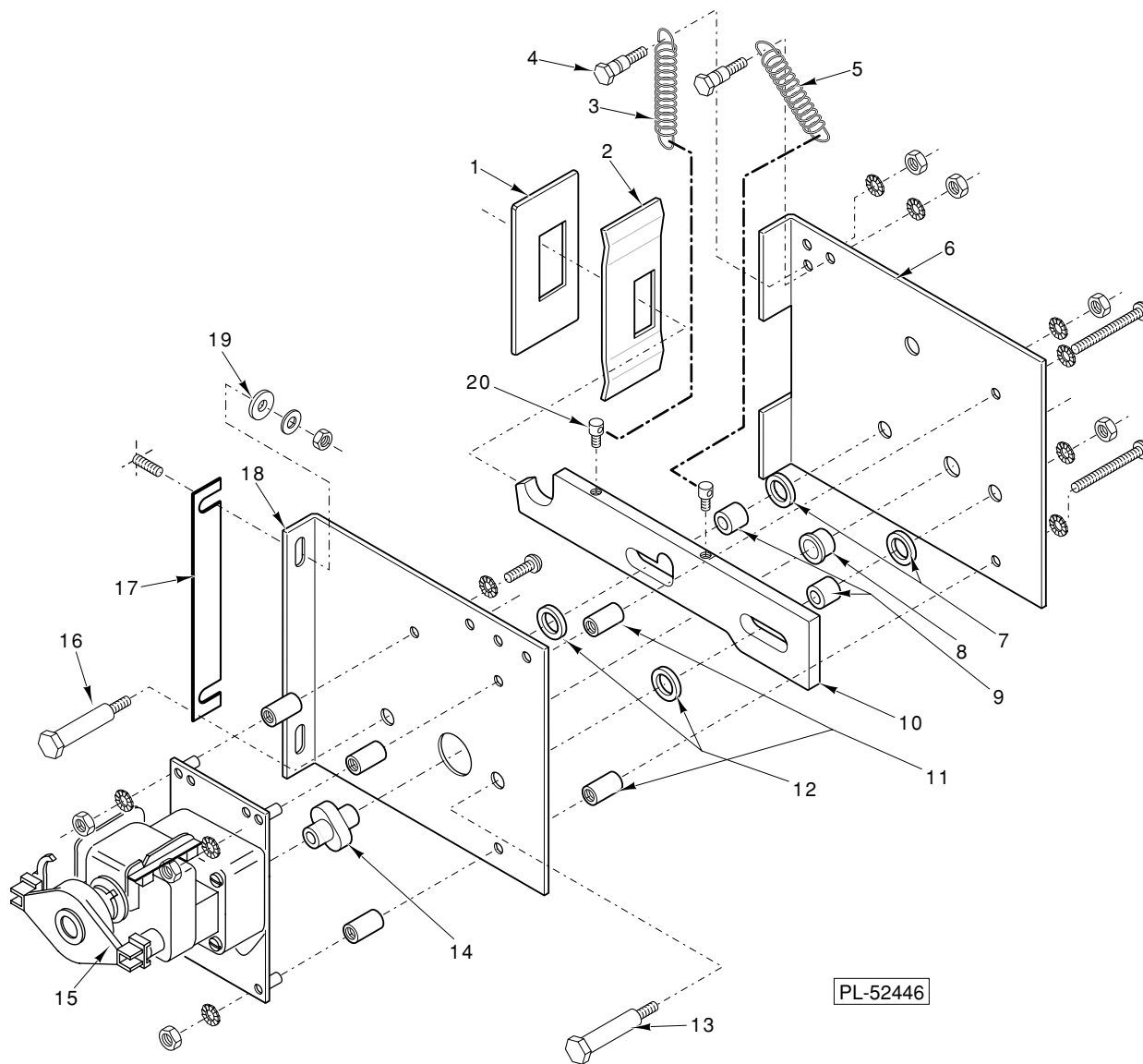


PL-52779

DOOR ASSEMBLY

DOOR ASSEMBLY

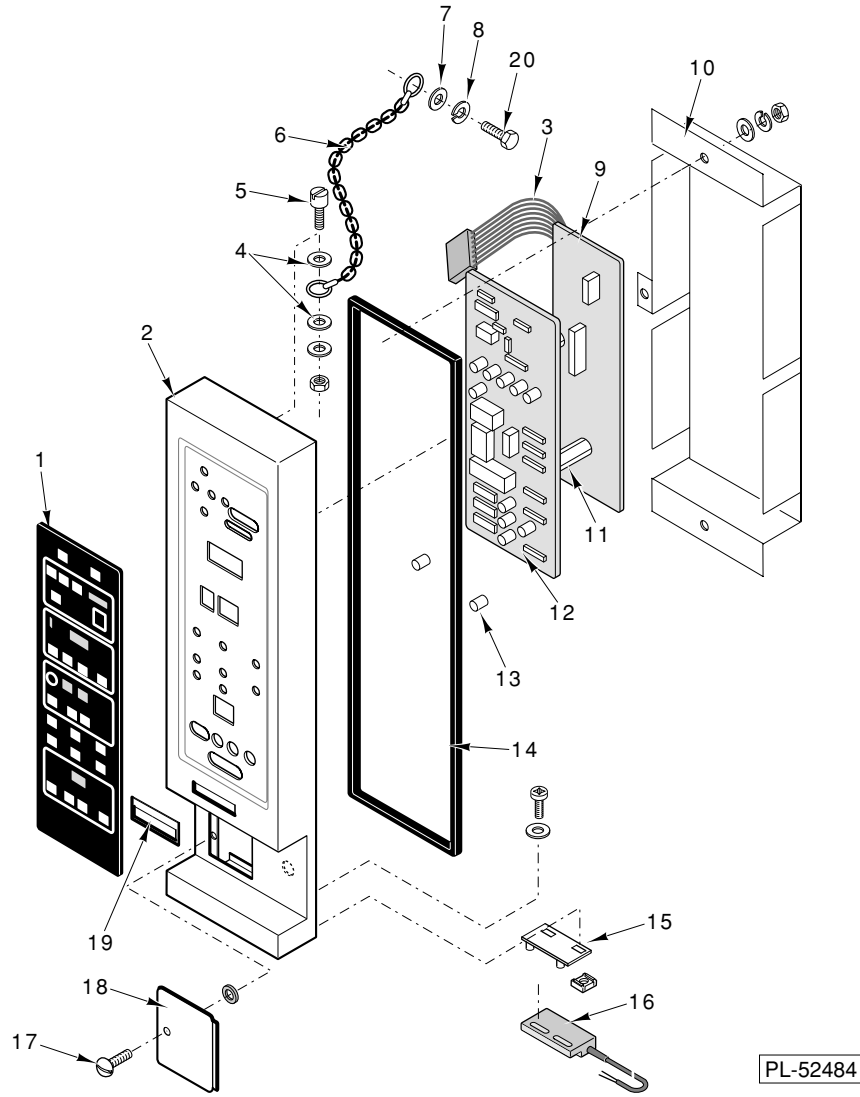
ILLUS. PL-52779	PART NO.	NAME OF PART	AMT.
1	00-492145-00002	Pin - Hinge	1
2	00-492148	Spacer - Door	1
3	00-492043	Plate	1
4	SC-200-15	Cap Screw M4 x 0.7 x 10 MM Socket Hex Hd.	2
5	00-844566	Bushing 8 mm	2
6	00-492147	Hinge	1
7	00-492154	Spring	1
8	00-492152	Stud	1
9	00-492158	Thumb Screw - Inner Glass	1
10	00-491760	Gasket	1
11	00-492465	Inner Door Glass	1
12	00-844567	Pin	1
13	00-492436	Shaft	1
14	00-491760	Gasket	1
15	00-844568	Ring 14mm	1
16	00-492154	Spring	1
17	00-492488	Clip - Door	1
18	00-492380	Catch - Door	1
19	00-492159	Thumb Screw - Inner Glass	4
20	00-491760	Gasket	4
21	00-844567	Pin	1
22	00-492436	Shaft	1
23	00-844568	Ring 14mm	1
24	00-492155	Spring	1
25	00-492488	Clip - Door	1
26	00-845731	Cover - Door Light W/Lock	1
27	00-491758	Gasket - Door Light W/Lock	1
28	00-492053	Tray - Drip	1
29	00-170016	Magnet	2
30	00-492487	Bracket	1
31	00-492440	Tray-Drip	1
32	00-494203-00001	Handle - Door	1
33	00-493550	Panel - Door Outer	1
34	00-492462	Gasket	1
35	00-844712	Window-External	1
36	00-149915-00002	Joint	1
37	00-492463	Panel - Door Inner	1
38	00-492463	Panel - Door Inner	1
39	00-492215	Bushing	1
40	00-844569	Pin	1
41	00-492146	Hinge	1



INTERLOCKING DOOR

INTERLOCKING DOOR

ILLUS. PL-52446	PART NO.	NAME OF PART	AMT.
1	00-492916	Plate	1
2	00-492968	Plate	1
3	00-491985	Spring - Tension	1
4	00-492419	Screw	2
5	00-491985	Spring - Tension	1
6	00-844918	Plate - Rear Door Latch Assy.	1
7	00-492423	Washer	2
8	00-492114	Bushing	1
9	00-492424	Spacer	2
10	00-492420	Hook	1
11	00-492425	Spacer	2
12	00-492423	Washer	2
13	00-492422	Screw	1
14	00-492427	Cam 6 mm Hole	1
15	00-844704	Motor-Door Closing	1
16	00-492422	Screw	1
17	00-492011	Spacer Plate	1
18	00-492366	Plate	1
19	00-149940-00024	Washer	2
20	00-492421	Axle - Spring	2

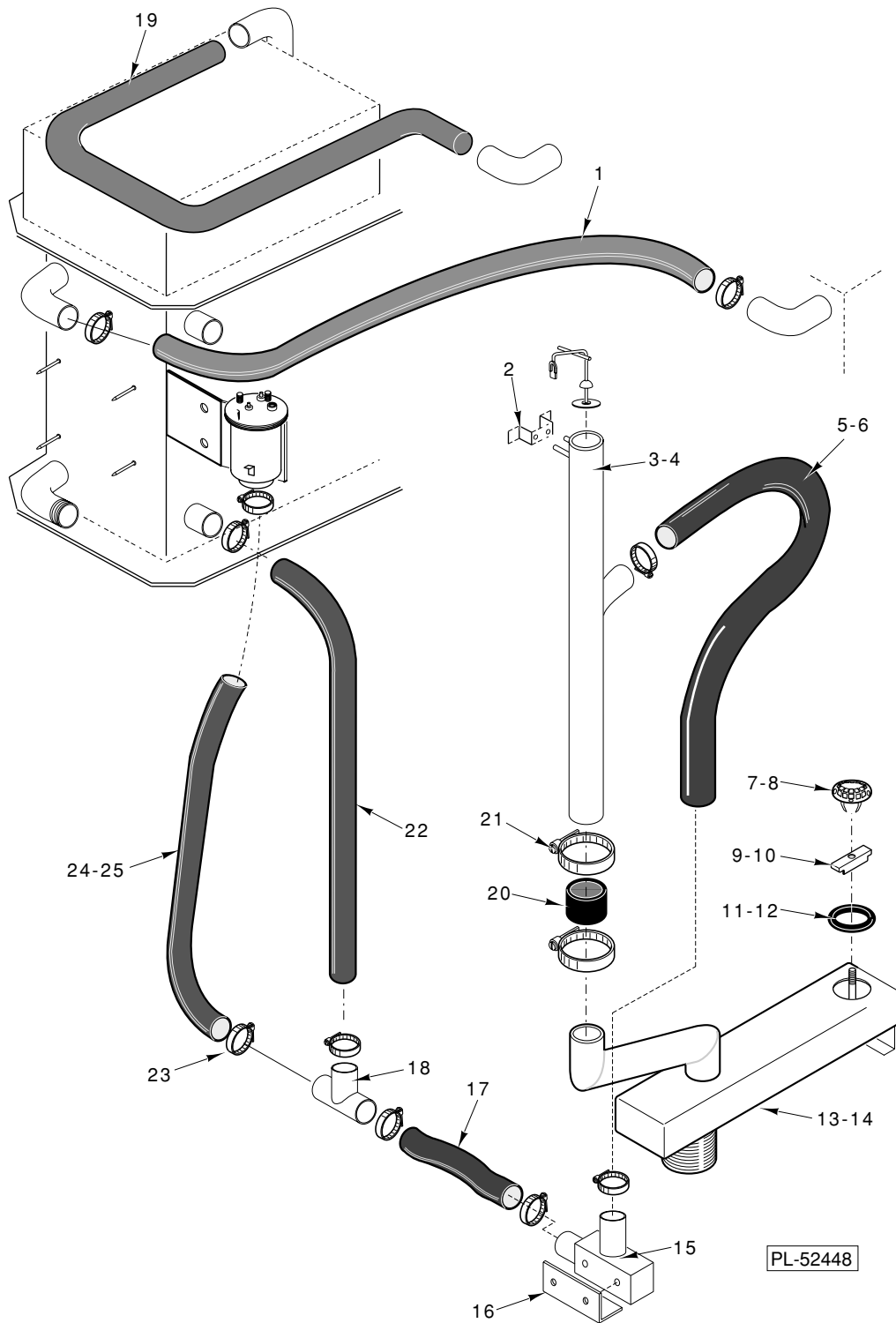


PL-52484

ELECTRONIC CONTROLS

ELECTRONIC CONTROLS

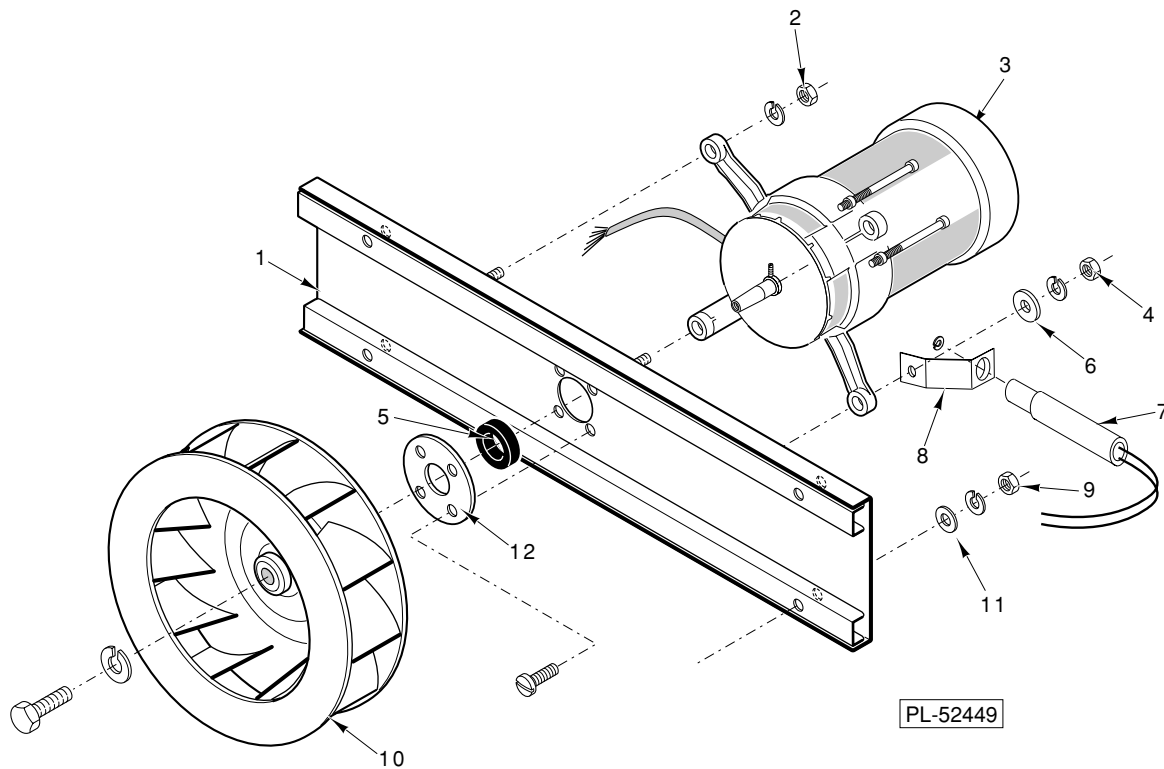
ILLUS. PL-52484	PART NO.	NAME OF PART	AMT.
1	00-845094	Control Panel	1
2	00-845126	Enclosure - Controller	1
3	00-845131-00001	Cable - Harness	1
4	00-492168	Washer	2
5	00-492167	Screw	1
6	00-149940-00052	Cable Restraint - Control Panel	1
7	00-492168	Washer	1
8	WL-019-69	Lockwasher - M5 External Shakeproof	1
9	00-492988	Board - Principal Control	1
10	00-844655	Cover - Control Board Protector	1
11	00-845105	Spacer - Hex Rod	1
12	00-844945-00002	Keypad - Control Board	1
13	00-845106	Spacer	1
14	00-492472	Gasket-Front Panel	2
15	00-845103	Bracket - Switch	1
16	00-845104	Switch - Door	1
17	SC-119-02	Cap Screw M5 x 0.8 x 10 mm Hex Hd. SST	1
18	00-492395	Panel - Fuse Access	1
19	00-845101	Window	1
20	SC-122-41	Cap Screw M5 x 0.8 x 172 mm Hex Hd. SST	1



PIPEWORK AND DRAIN

PIPEWORK AND DRAIN

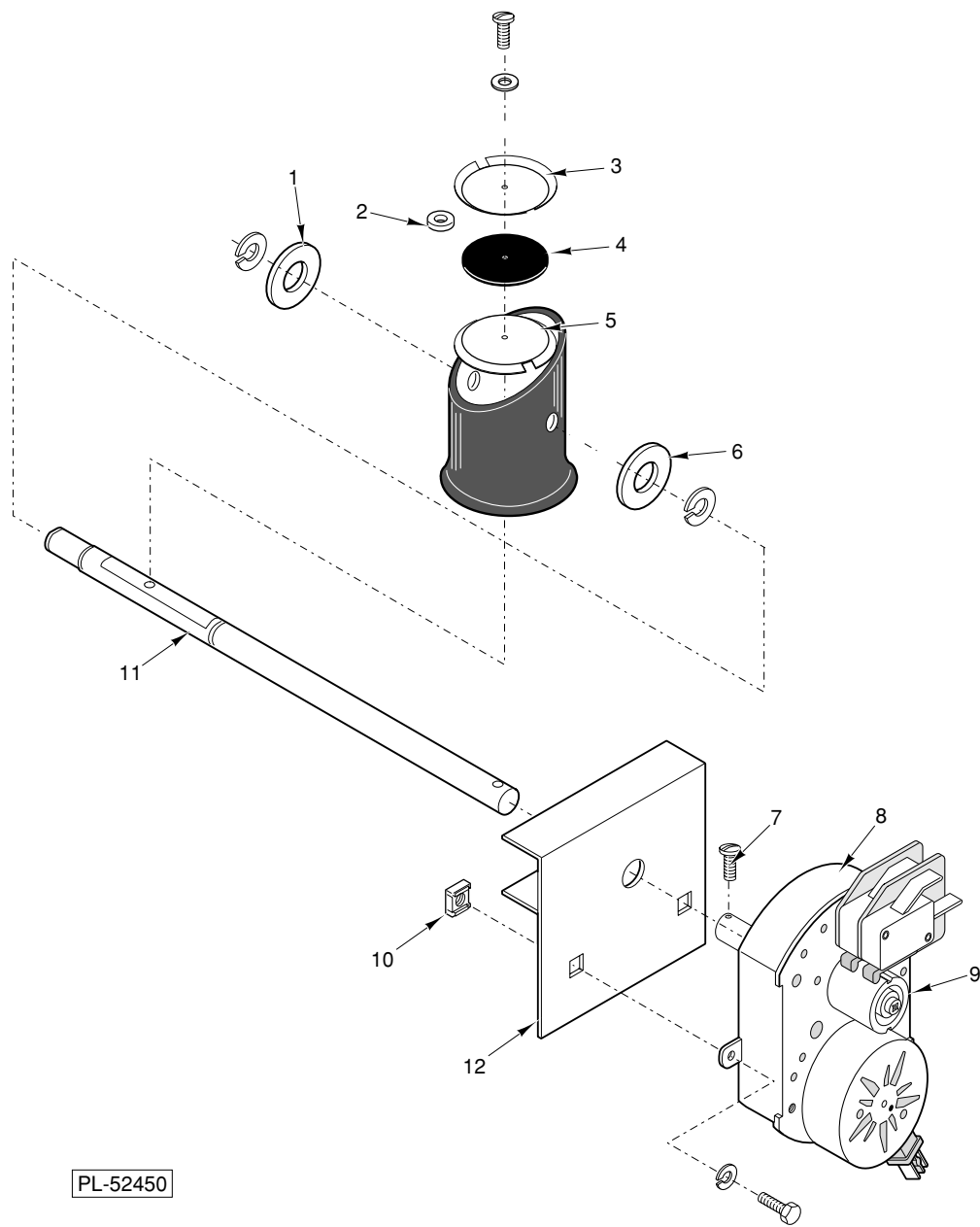
ILLUS. PL-52448	PART NO.	NAME OF PART	AMT.
1	00-844670-00002	Tube (25/35)	1
2	00-845092	Support - Tube	1
3	00-845108	Vent - Drain Tube (10H)	1
4	00-845300	Vent - Drain Tube (10F)	1
5	00-492114-00017	Tube (18/24 x 1130 Lg.)	1
6	00-492114-00018	Tube - (Full Size) (18/24 x 920)	1
7	00-493542	Knob	1
8	00-493543	Knob	1
9	00-493544	Bracket - Interior Drain Strain (Half)	1
10	00-493545	Retainer - Drain (Full Size)	1
11	00-233982-00006	O Ring	1
12	00-233982-00007	O Ring	1
13	00-844614	Drain Weldment (10 Half)	1
14	00-845121	Drain Weldment (10 Full)	1
15	00-844697	Pump - Boiler Drain	1
16	00-845089	Bracket - Drain Pump	1
17	00-844670-00011	Tube (25/35 x 180)	1
18	00-844716	Tee (25mm)	1
19	00-844670-00002	Tube (25/35)	1
20	00-493028	Tube (51.5 1.0 x 3 Wall x 60 Lg.)	1
21	00-844575	Clamp-Hose	1
22	00-844670-00004	Tube (25/35 x 400 Lg.)	1
23	00-149978-00001	Clamp - Hose (Worm, 25 mm Dia.)	1
24	00-844670-00014	Tube (25/35 x 380)(Half Size)	1
25	00-844670-00004	Tube (25/35 x 400 Lg.)	1



VENTILATION UNIT 1

VENTILATION UNIT 1

ILLUS. PL-52449	PART NO.	NAME OF PART	AMT.
1	00-491969	Bracket - Motor Mounting	1
2	00-602491	Nut	1
3	00-845071	Motor	1
4	00-602491	Nut	1
5	00-322190-00001	Seal - Convection	1
6	00-149940-00024	Washer	1
7	00-845072	Capacitor	1
8	00-844984	Clamp	1
9	00-602491	Nut	1
10	00-233978-00002	Air Rotor - Convection	1
11	00-602286	Washer	1
12	00-492108	Cover - Convection Fan Seal	1

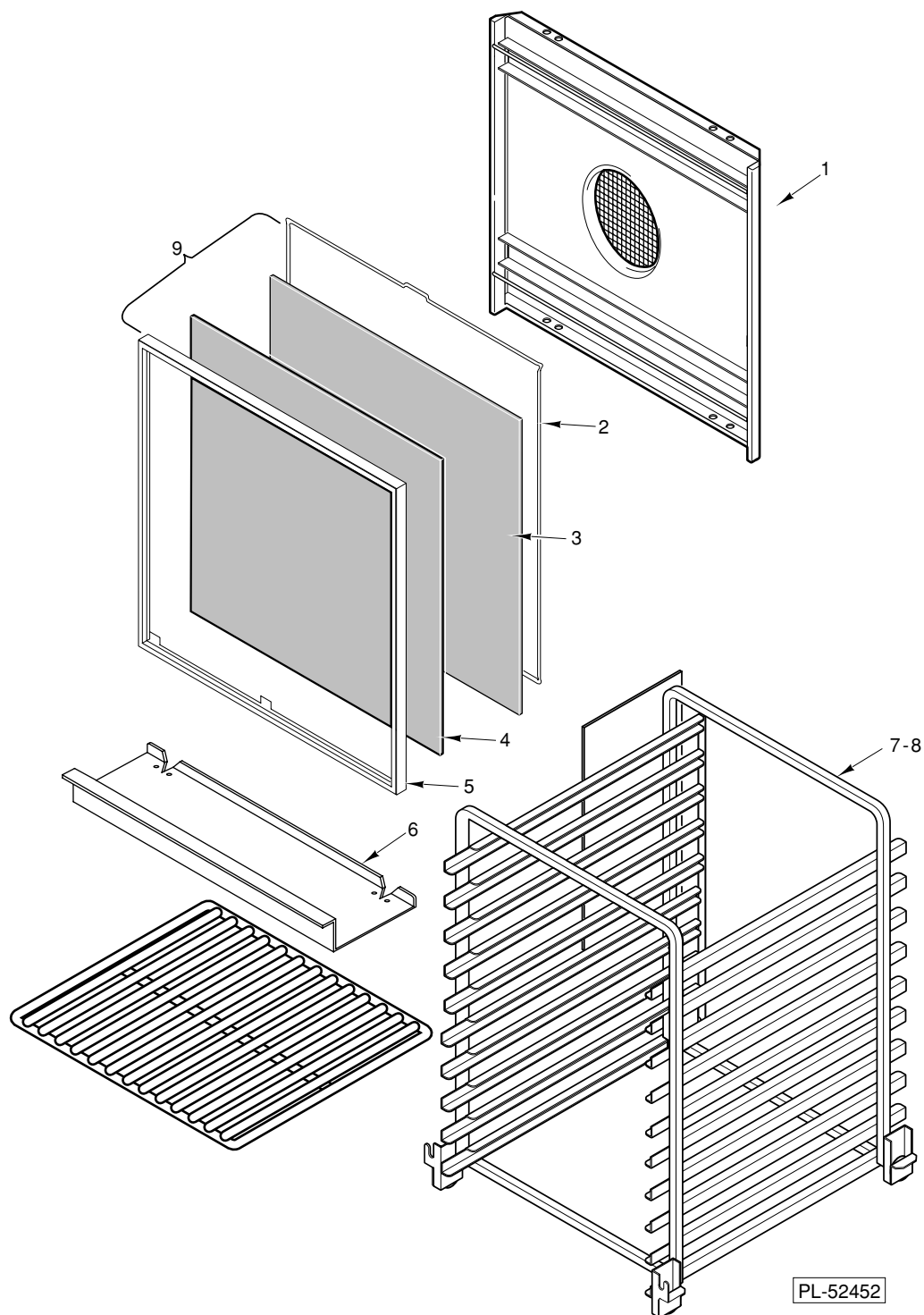


PL-52450

VENTILATION

VENTILATION

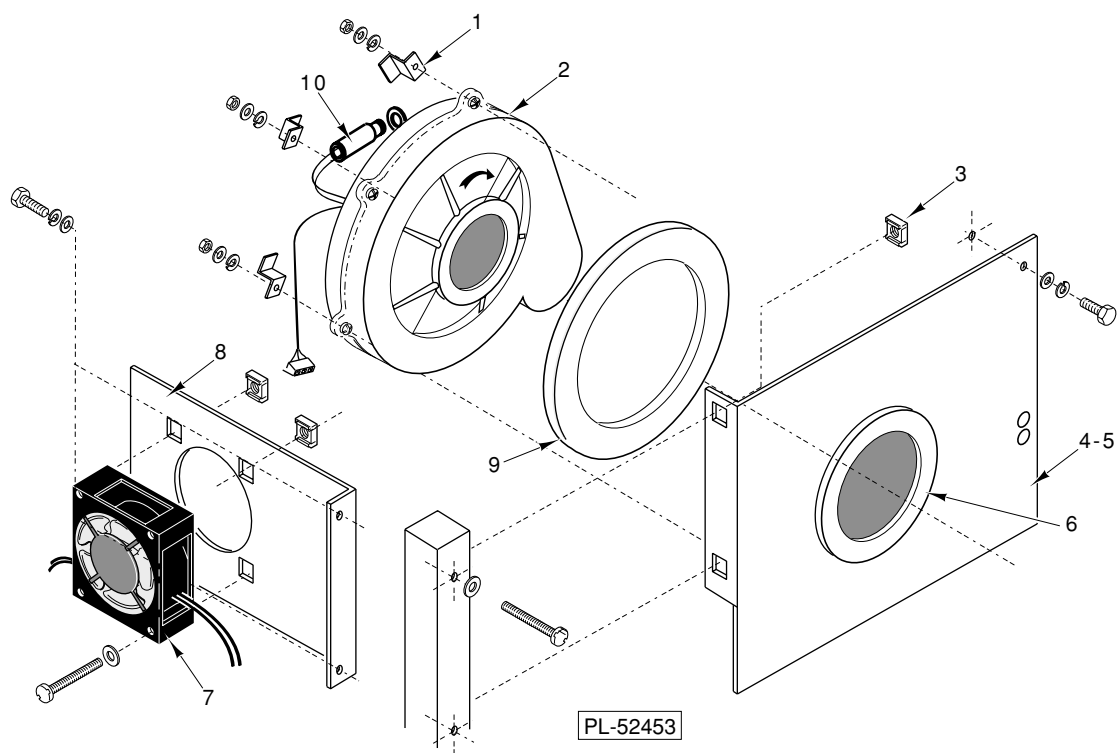
ILLUS. PL-52450	PART NO.	NAME OF PART	AMT.
1	00-494120	Washer	1
2	00-492958	Washer	1
3	00-492925	Shutter - Top	1
4	00-844617	Disc	1
5	00-492924	Shutter - Bottom	1
6	00-494120	Washer	1
7	00-602884	Pin - Cotter	1
8	00-233979-00001	Motor - Fan	1
9	00-322064	Cam	1
10	00-149926-00002	Fastener Assy.	2
11	00-844616	Tube (300mm Lg.)	1
12	00-491991	Plate	1



FILTER & CARRIAGE

FILTER & CARRIAGE

ILLUS. PL-52452	PART NO.	NAME OF PART	AMT.
1	00-844660	Baffle - Fan	1
2	00-844664	Gasket	1
3	00-844663	Filter	1
4	00-844662	Screen	1
5	00-844661	Retainer	1
6	00-492784	Plate	1
7	00-845128-00002	Insert - Rack (Full Size)	1
8	00-845128-00001	Insert - Rack (Half Size)	1
9	00-844667	Filter Assy.	1



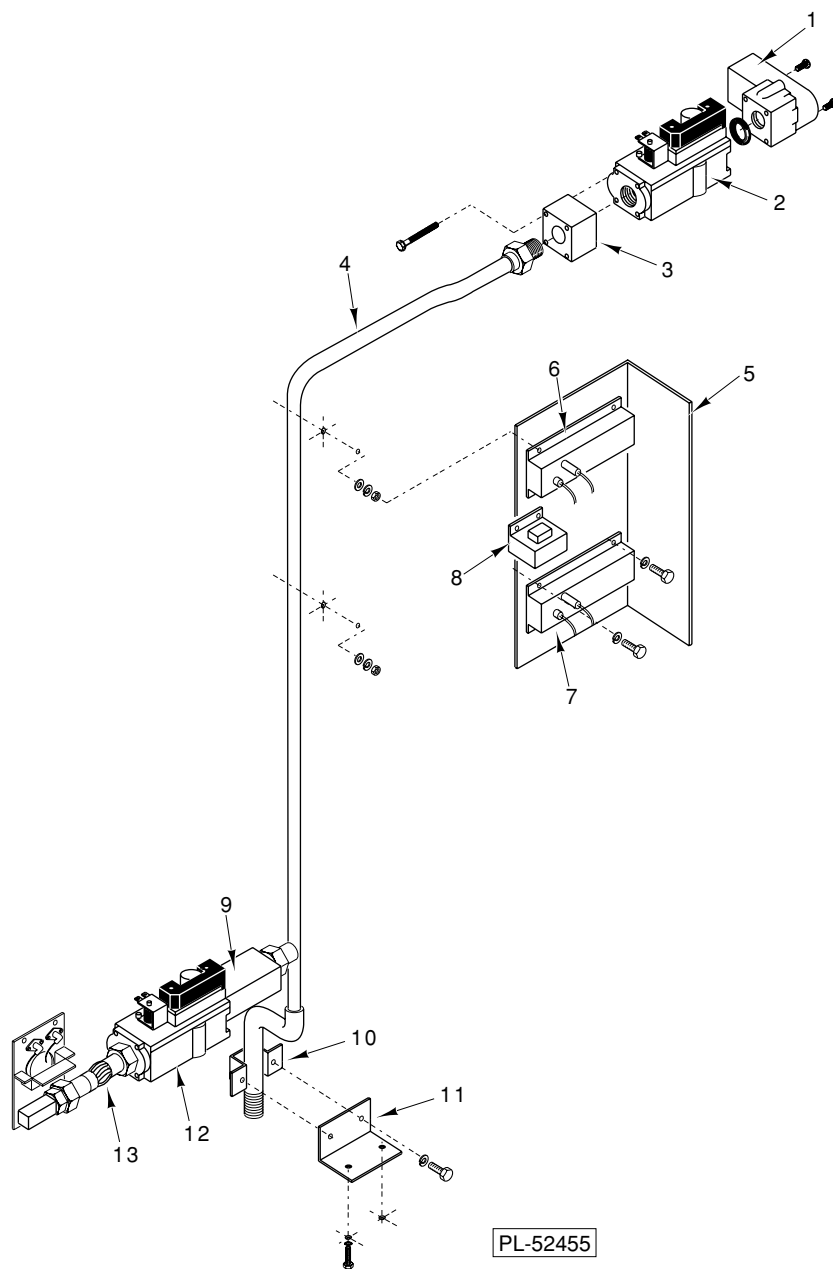
VENTILATION UNIT 2

VENTILATION UNIT 2

ILLUS. PL-52453	PART NO.	NAME OF PART	AMT.
1	00-149990-00027	Bracket - Blower Support	3
2	00-845074	Blower	1
3	00-149926-00002	Fastener Assy.	6
4	00-844621	Support - Blower (Half Size)	1
5	00-845125	Support - Blower (Full Size)	1
6	00-492183	Grommet 3" Vent Tube	1
7	00-492994	Fan - Compartment Cooling	1
8	00-844619	Support - Fan	1
9	00-844620	Gasket (304 Lg. x 650 mm)	1
10	00-845073	Capacitor	1

GAS CONNECTION (HALF)

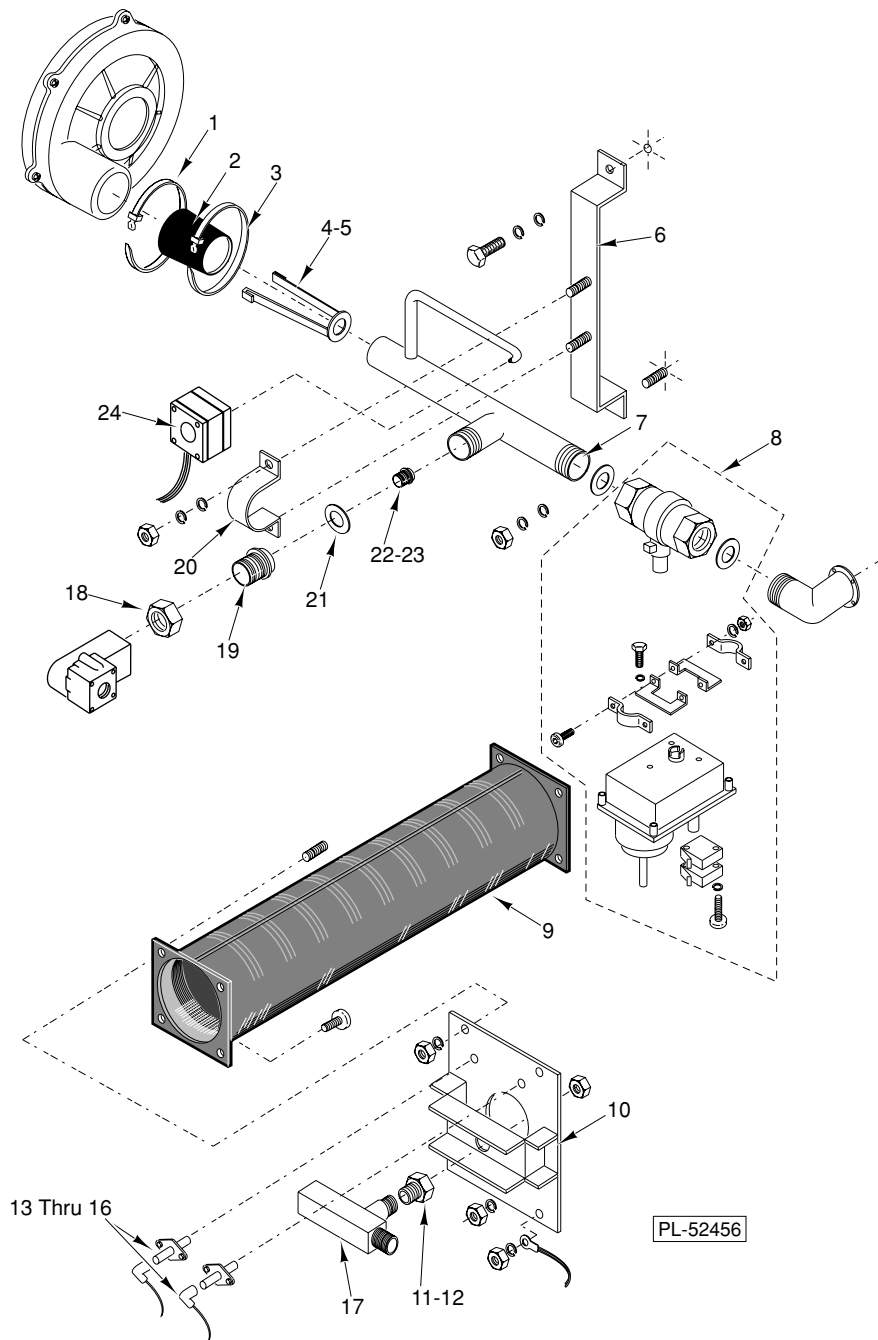
ILLUS. PL-52454	PART NO.	NAME OF PART	AMT.
1	00-845075	Valve - Gas Connection 90 Deg.	1
2	00-845076	Valve - Gas Connection	1
3	00-845077	Valve - Gas Connection	1
4	00-845080	Manifold	1
5	00-845082	Support - Transformer & Ignition Module	1
6	00-845090	Bracket - Gas Manifold	1
7	00-845091	Support - Gas Manifold	1
8	00-845077	Valve - Gas Connection	1
9	00-845076	Valve - Gas Connection	1
10	00-845078-00001	Line - Connector (Flexible Gas Line, 165mm)	1
11	00-845079-00001	Module - Ignition (6 sec.)	1
12	00-844728	Transformer	2
13	00-845079-00001	Module - Ignition (6 sec.)	1



GAS CONNECTION (FULL)

GAS CONNECTION (FULL)

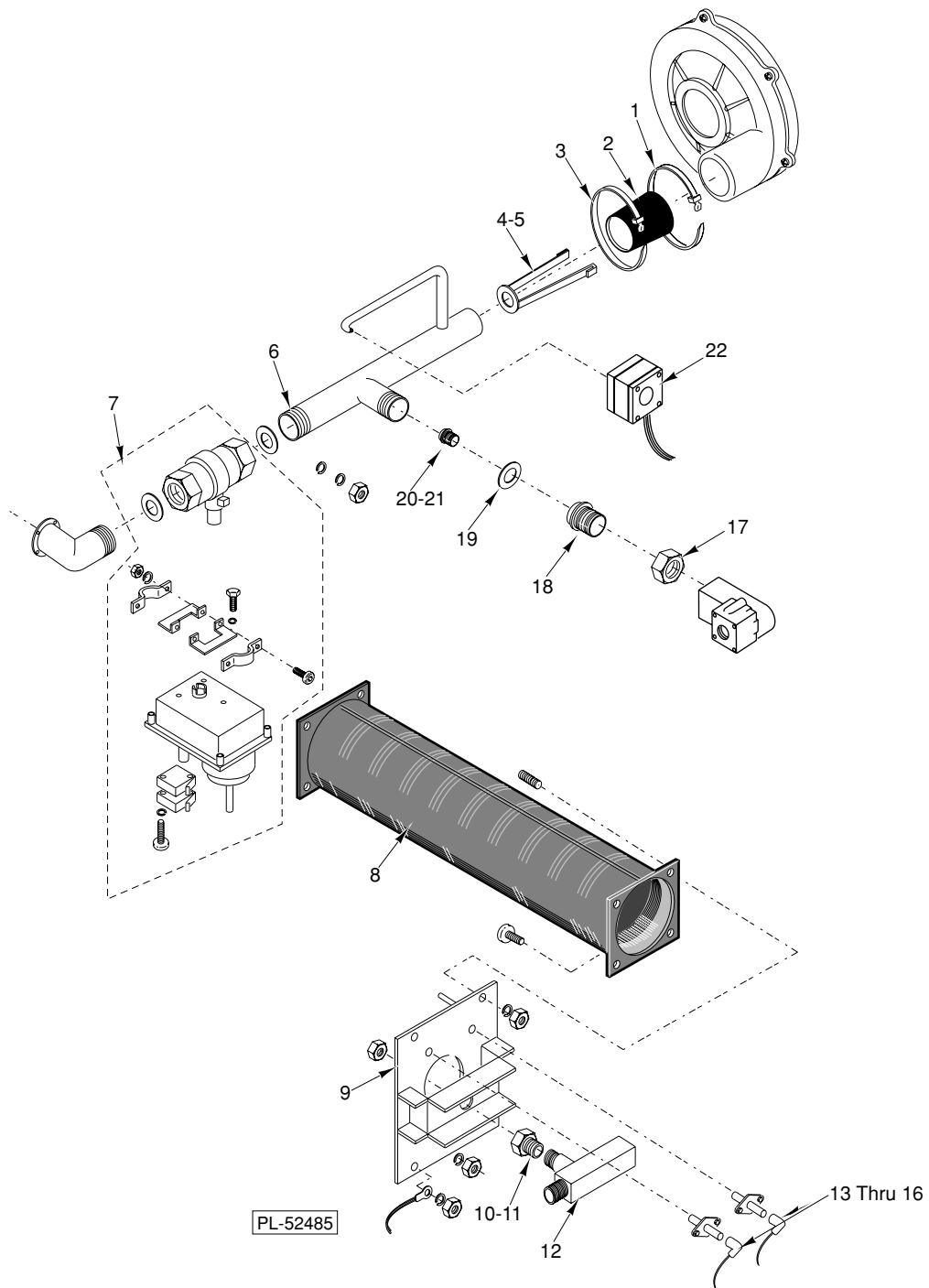
ILLUS. PL-52455	PART NO.	NAME OF PART	AMT.
1	00-845075	Valve - Gas Connection 90 Deg.	1
2	00-845076	Valve - Gas Connection	1
3	00-845077	Valve - Gas Connection	1
4	00-845124	Manifold - Gas	1
5	00-845123	Support - Module	1
6	00-845079-00001	Module - Ignition (6 sec.)	1
7	00-845079-00002	Module - Ignition	1
8	00-844728	Transformer	1
9	00-845077	Valve - Gas Connection	1
10	00-845090	Bracket - Gas Manifold	1
11	00-845091	Support - Gas Manifold	1
12	00-845076	Valve - Gas Connection	1
13	00-845078-00002	Connector - Flexible Gas Line (11mm)	1



GAS COMPONENTS HALF SIZE

GAS COMPONENTS HALF SIZE

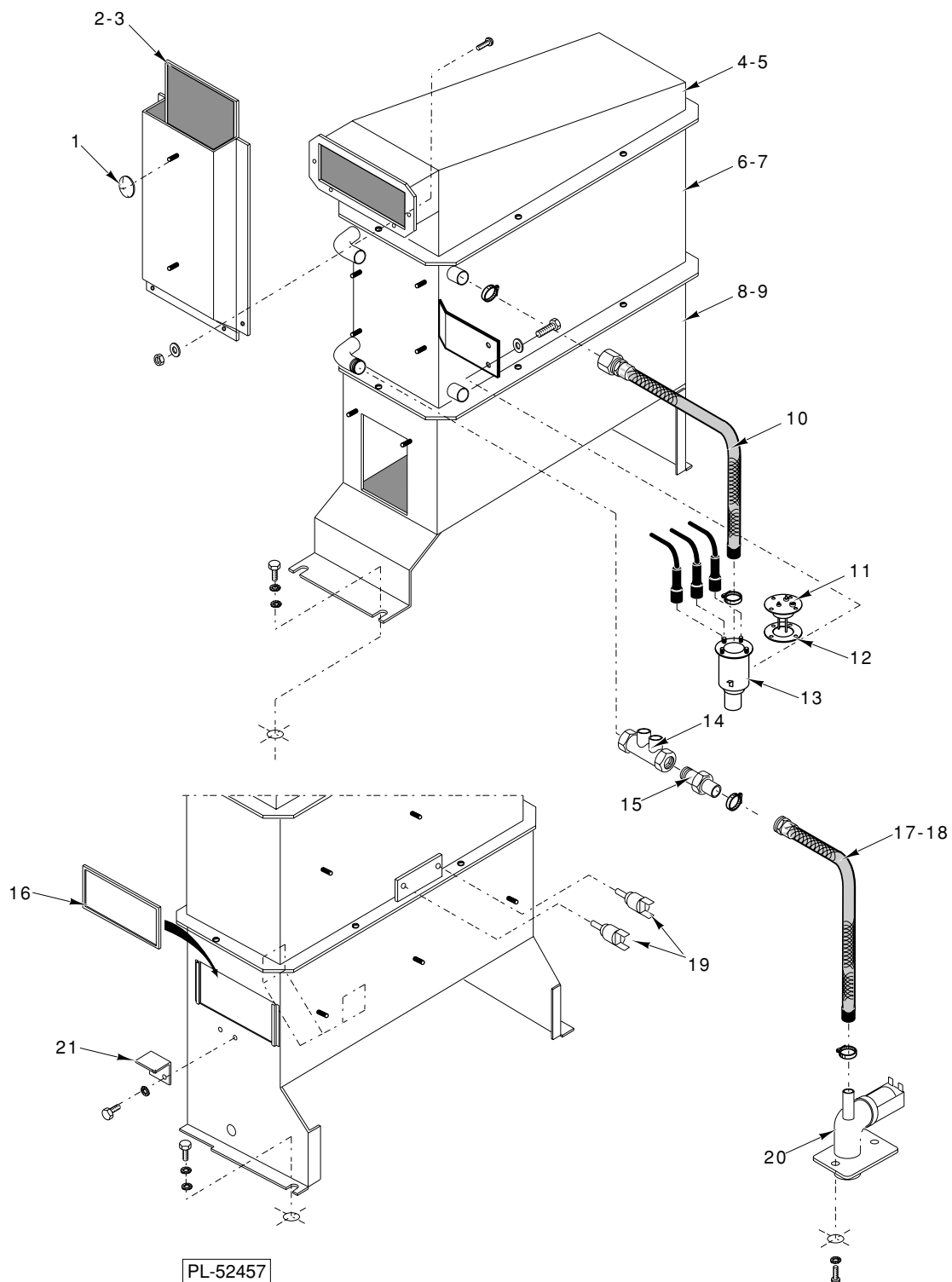
ILLUS. PL-52456	PART NO.	NAME OF PART	AMT.
1	00-492121	Plastic Tie	1
2	00-844671	Sleeve - Tube	1
3	00-492121	Plastic Tie	1
4	00-844634	Orifice - Conv Air (NAT 18mm)	1
5	00-845083	Orifice - Conv Air (PRO 117mm)	1
6	00-844637	Bracket - AIR/GAS Manifold	1
7	00-845085	Manifold - Conv Gas/Air	1
8	00-492992	Valve - Motorized	1
9	00-844815	Burner - Boiler	1
10	00-844821-00001	Diaphrame - (50mm DIA Boiler)	1
11	00-844817-00006	Injector - Boiler (NAT S17x3)	1
12	00-844817-00007	Injector - Boiler (PRO S17x1.95)	1
13	00-844912	Support - Boiler Injector	1
14	00-844812	Electrode - Boiler Flame Ignitor	1
15	00-844813	Electrode - Boiler Flame Sensor	1
16	00-492983	Wire - Flame Sensor	1
17	00-844825	Cable - Flame Ignitor	1
18	00-844901	Hex Nut - Union	1
19	00-845086	Support - Injector	1
20	00-844640	Support - Manifold	1
21	00-844802	Gasket - Fiber 22/30	1
22	00-844816-00002	Injector - Conical 3.9 DIA NAT	1
23	00-844816-00007	Injector - Conical 2.45	1
24	00-845084	Switch - Air Pressure Safety	1



GAS COMPONENTS FULL SIZE

GAS COMPONENTS FULL SIZE

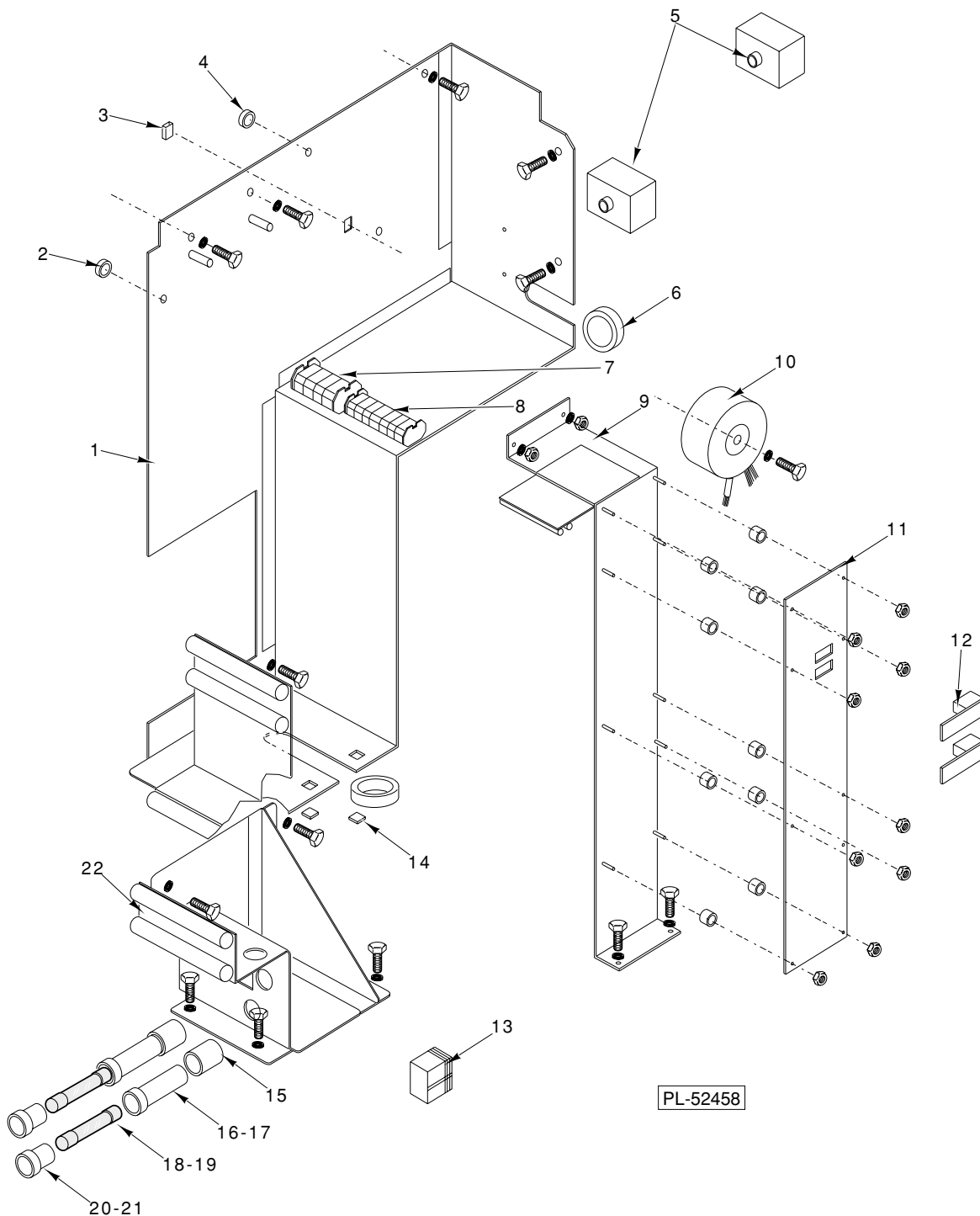
ILLUS. PL-52485	PART NO.	NAME OF PART	AMT.
1	00-492121	Plastic Tie	1
2	00-844671	Sleeve - Tube	1
3	00-492121	Plastic Tie	1
4	00-844634	Orifice - Conv Air (NAT 18mm)	1
5	00-844635	Orifice - Conn Air (19mm NAT)	1
6	00-845183	Manifold - Air/Gas Conv (10 FG)	1
7	00-492992	Valve - Motorized	1
8	00-844815	Burner - Boiler	1
9	00-844821-00003	Diaphrame - (52mm DIA Boiler)	1
10	00-844817-00008	Injector - Boiler (NAT S17 x 3.25)	1
11	00-844817-00009	Injector - Boiler (Pro S17 x 2.05)	1
12	00-844912	Support - Boiler Injector	1
13	00-844812	Electrode - Boiler Flame Ignitor	1
14	00-844825	Cable - Flame Ignitor	1
15	00-492983	Wire - Flame Sensor	1
16	00-844813	Electrode - Boiler Flame Sensor	1
17	00-844901	Hex Nut - Union	1
18	00-845086	Support - Injector	1
19	00-844802	Gasket - Fiber 22/30	1
20	00-844816-00008	Injector - Conical 4.4 DIA	1
21	00-844816-00003	Injector - Conical 2.6 DIA	1
22	00-845084	Switch - Air Pressure Safety	1



BOOSTER HEATER (GAS)

BOOSTER HEATER (GAS)

ILLUS. PL-52457	PART NO.	NAME OF PART	AMT.
1	00-233924-00001	Retainer-Insulation (Press On)	2
2	00-845129	Flue - Verticle (10FG)	1
3	00-844905	Flue - Verticle (10HG)	1
4	00-844642	Flue - Horizontal (10HG)	1
5	00-844643	Flue - Horizontal (10FG)	1
6	00-844644	Boiler (10HG)	1
7	00-844645	Boiler (10FG)	1
8	00-844911	Chamber - Combustion (10HG)	1
9	00-844910	Chamber - Combustion (10FG)	1
10	00-845163-00001	Tube (12/16 x 600L)	1
11	00-844814	Top - Cannister	1
12	00-233982-00001	O Ring-Boiler Heater Seal	1
13	00-845301	Housing - Low Panel Control	1
14	00-492999	Valve - Check	1
15	00-844678	Fitting - Hose	1
16	00-844677	Glass - (120 x 40 x 4 mm)	1
17	00-492117-00007	Tube (10-14 400LG) (10FG)	1
18	00-492117-00001	Tube (10-14 x 300 Lg) (10 HG)	1
19	00-844811	Thermostat - High Limit Boiler	2
20	00-493000	Valve - Water Inlet Gas	1
21	00-844649	Bracket - View Window	1



ELECTRICAL COMPONENT PANEL

ELECTRICAL COMPONENT PANEL

ILLUS. PL-52458	PART NO.	NAME OF PART	AMT.
1	00-845095	Support - Components	1
2	00-492189	Grommet	1
3	00-149926-00004	Nut - 10mm 12.3 x 12.3 Cutout	1
4	00-492190	Bushing Nylon - 10mm ID	1
5	00-492105	Thermostat - High Limit	2
6	00-150443-00044	Bushing Nylon, 20mm ID	2
7	00-844629-00002	Terminal Block - 8 Connection Points	1
8	00-844629-00001	Terminal Block - 10 Connection Points	1
9	00-844906	Bracket - Main Control Board Support	1
10	00-845096	Transformer - Stepdown Round	1
11	00-492986	Board - Gas - Relay	1
12	00-845097	Board - Flame Sense Circuit	1
13	00-844629-00003	Terminal Block 4 PTS (1N 2PH 1G)	1
14	00-149926-00005	Nut - 4mm 8.3 x 8.3 Cutout	1
15	00-844690	Housing - Fuse Holder Support	2
16	00-844687	Fuseholder	2
17	00-844687	Fuseholder	2
18	00-845099-00002	Fuse - (6.3A/250V)	1
19	00-845099-00001	Fuse - (2A/250V)	1
20	00-844688	Plug-Fuse Holder	2
21	00-844688	Plug-Fuse Holder	2
22	00-845098	Bracket - Fuse Support	1

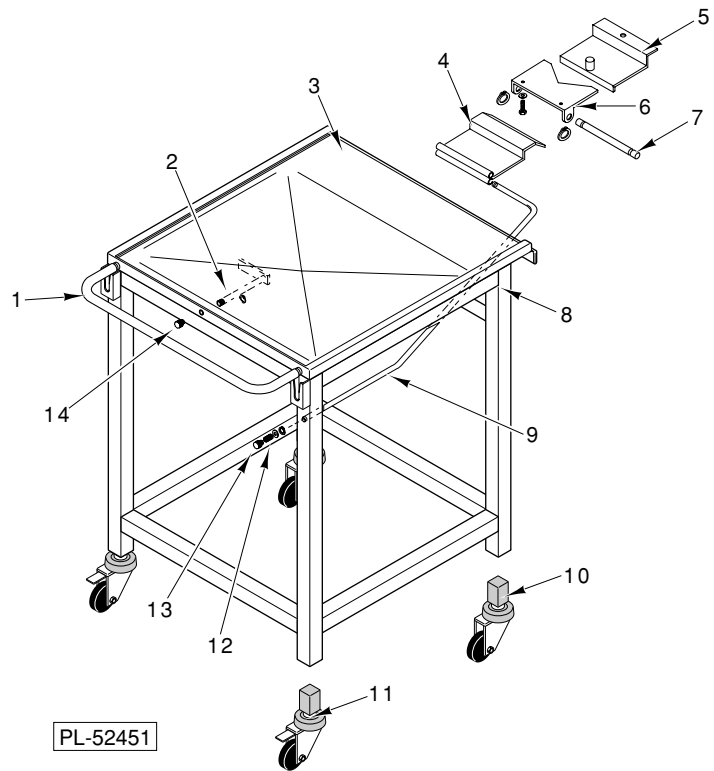


TABLE & TROLLEY ASSEMBLY

TABLE & TROLLEY ASSEMBLY

ILLUS. PL-52451	PART NO.	NAME OF PART	AMT.
1	00-322388	Handle	1
2	00-845308	Axle Weldment	1
3	00-845309	Top - Table	1
4	00-845305	Bracket	1
5	00-845307	Bracket - Location	1
6	00-845303	Bracket - Table Top	1
7	00-845306	Axle	1
8	00-845302	Frame	1
9	00-845304	Rod - Handle	1
10	00-322228-00003	Caster	2
11	00-322228-00004	Caster W/Brake	2
12	00-845325-00001	Spring	1
13	00-845324	Handle	1
14	00-845324	Handle	1

