

# VULCAN

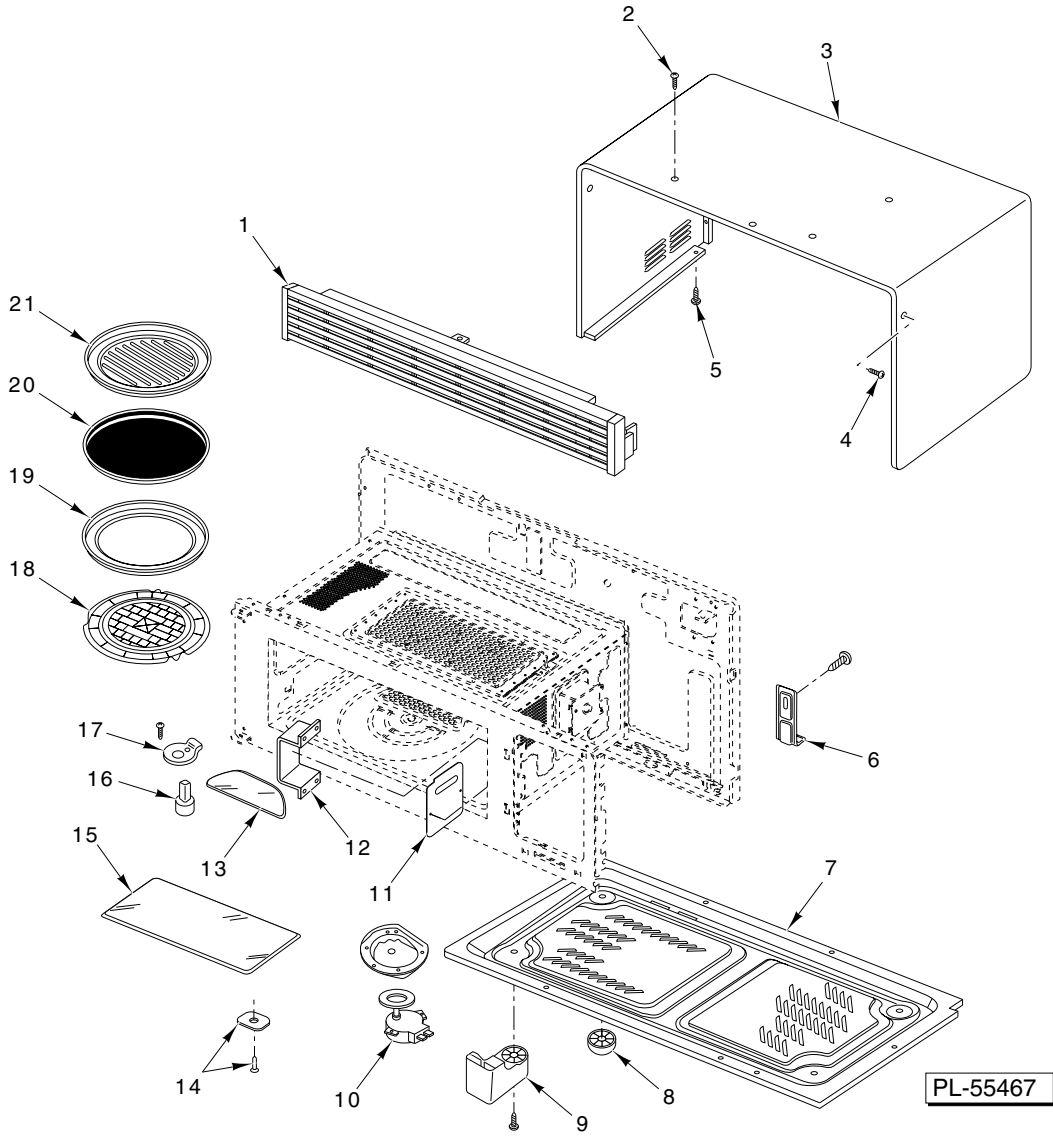
## CATALOG OF REPLACEMENT PARTS

### MODEL VFBMW2/3 *FlashBake*<sup>®</sup> MICROWAVE OVEN

MODEL

ML-126807 VFBMW2/3

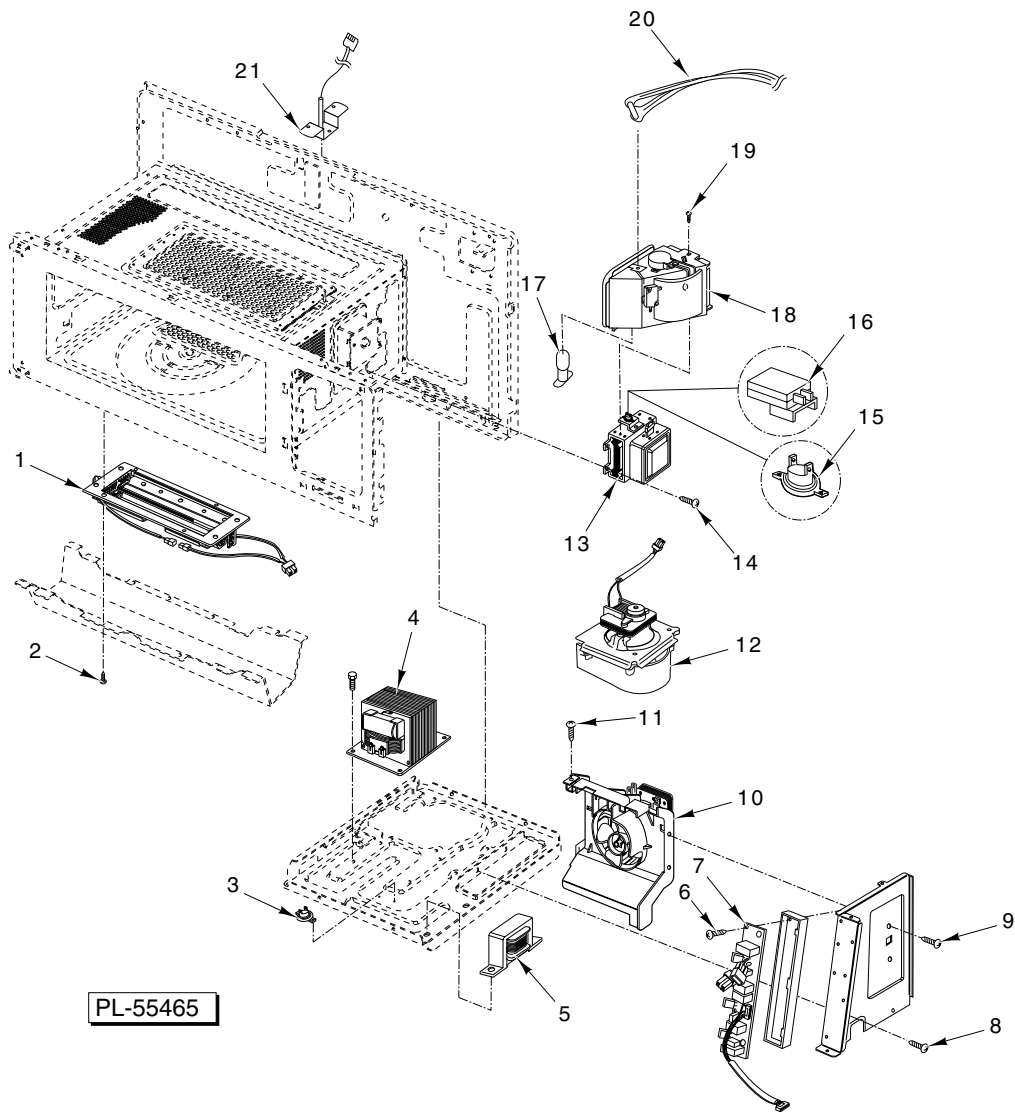




**OVEN CAVITY PARTS**

## OVEN CAVITY PARTS

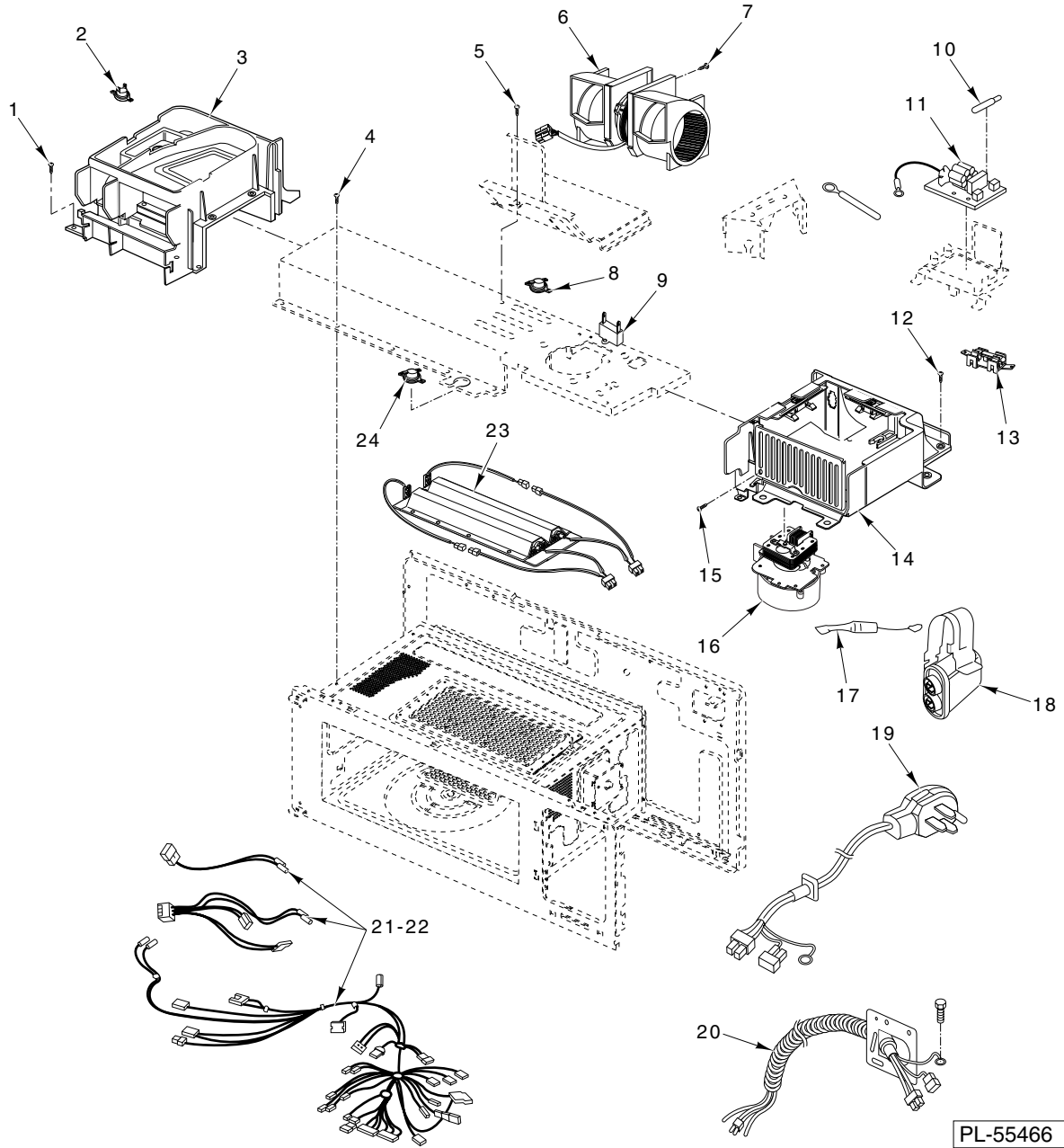
ILLUS. PL-55467	PART NO.	NAME OF PART	AMT.
1	00-854065-00011	Grille Assy. ....	1
2	SD-038-64	Self-Tapping Screw M4 x 12 mm Phil. Pan Washer Hd., Type BT .....	AR
3	00-854065-00007	Outer Cover .....	1
4	SD-038-64	Self-Tapping Screw M4 x 12 mm Phil. Pan Washer Hd., Type BT .....	AR
5	SD-038-63	Mach. Screw M4 x 8 mm Phil. Pan Washer Hd., Type BT .....	AR
6	00-854065-00001	Bracket – Anti-Tip .....	1
7	00-854065-00012	Base Plate .....	1
8	00-854065-00060	Leg – Rear .....	2
9	00-854065-00059	Leg – Front .....	2
10	00-854065-00030	Motor – Turntable .....	1
11	00-854065-00038	Cover – Wave Guide (MICA) .....	1
12	00-854065-00015	Cover – Inlet .....	1
13	00-854065-00057	Glass – Bottom .....	1
14	00-854065-00033	Upper Glass Retainer .....	2
15	00-854065-00056	Glass – Top .....	1
16	00-854065-00031	Shaft – Turntable .....	1
17	00-854065-00032	Lower Glass Retainer .....	1
18	00-854065-00029	Turntable .....	1
19	00-854065-00035	Tray – Ceramic .....	1
20	00-854065-00036	Tray – Metal Pan .....	1
21	00-854065-00037	Tray – Grille Pan .....	1
	00-854065-00061	Label – Precaution Door Edge .....	AR
	00-854065-00062	Label – Wiring Diagram .....	AR
	00-854065-00063	Label – Caution Microwave .....	AR
	00-854065-00065	Label – Warning Hot Surface .....	AR



INTERIOR PARTS

## INTERIOR PARTS

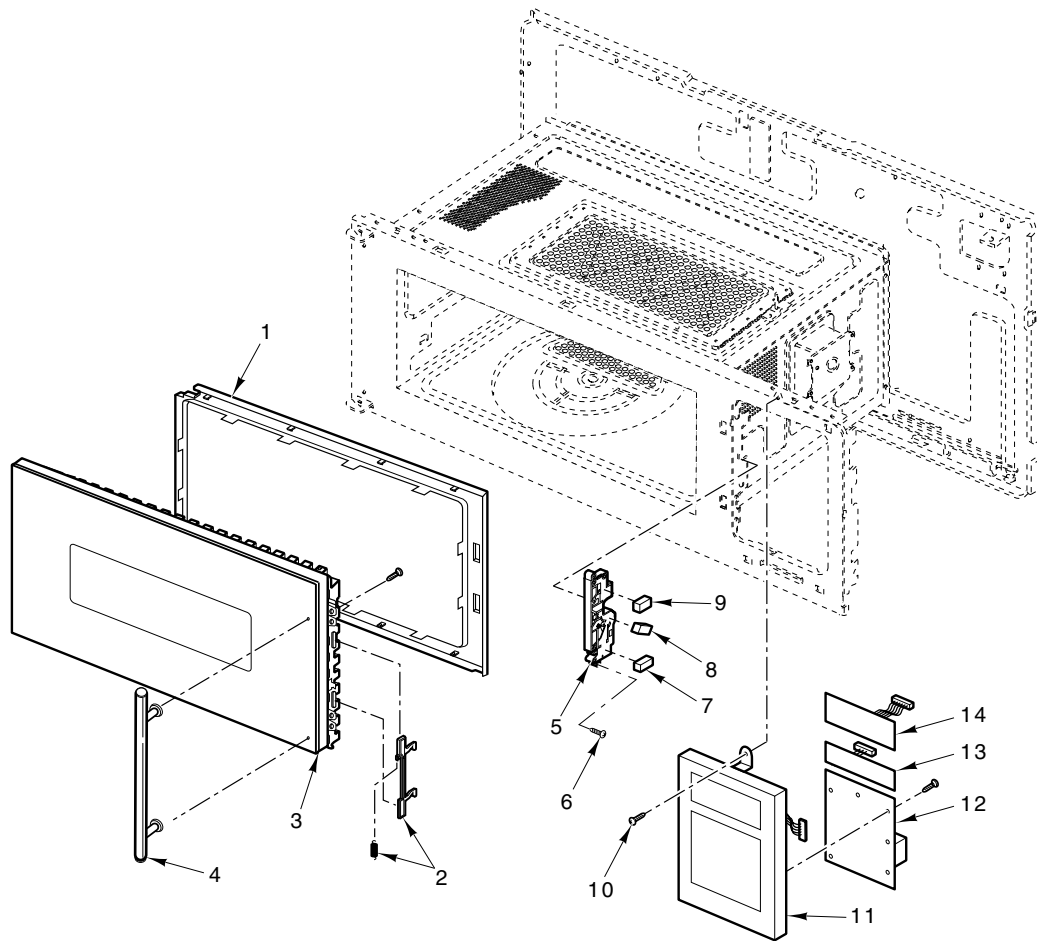
ILLUS.	PART NO.	NAME OF PART	AMT.
PL-55465			
1	00-854065-00005	Halogen Lamp Assy. (Bottom) .....	1
2	SD-038-63	Mach. Screw M4 x 8 mm Phil. Pan Washer Hd., Type BT .....	AR
3	00-854065-00023	TCO .....	1
4	00-854065-00021	Transformer – High Voltage .....	1
5	00-854065-00045	Transformer – Low Voltage .....	1
6	SD-038-63	Mach. Screw M4 x 8 mm Phil. Pan Washer Hd., Type BT .....	AR
7	00-854065-00049	Relay PCB .....	1
8	SD-038-63	Mach. Screw M4 x 8 mm Phil. Pan Washer Hd., Type BT .....	AR
9	SD-038-64	Self-Tapping Screw M4 x 12 mm Phil. Pan Washer Hd., Type BT .....	AR
10	00-854065-00018	Fan Assy. (Magnetron) .....	1
11	SD-038-63	Mach. Screw M4 x 8 mm Phil. Pan Washer Hd., Type BT .....	AR
12	00-854065-00043	Blower – Lower .....	1
13	00-854065-00019	Magnetron Assy. ....	1
14	SD-038-63	Mach. Screw M4 x 8 mm Phil. Pan Washer Hd., Type BT .....	AR
15	00-854065-00022	TCO (Magnetron) (Self-Resetting) .....	1
16	00-854065-00058	Choke Filter Assy. (Magnetron) (VFBMW3 Only) .....	1
17	00-854065-00004	Lamp – Cavity .....	1
18	00-854065-00028	Damper Door Assy. ....	1
19	SD-038-63	Mach. Screw M4 x 8 mm Phil. Pan Washer Hd., Type BT .....	AR
20	00-854065-00048	Thermal Fuse .....	1
21	00-854065-00017	Thermistor .....	1



INTERIOR PARTS

## INTERIOR PARTS

ILLUS.	PART NO.	NAME OF PART	AMT.
PL-55466			
1	SD-038-64	Self-Tapping Screw M4 x 12 mm Phil. Pan Washer Hd., Type BT .....	AR
2	00-854065-00020	TCO (Oven Cavity) (Non-Resetting) .....	1
3	00-854065-00016	Outlet – Air Tunnel .....	1
4	SD-038-63	Mach. Screw M4 x 8 mm Phil. Pan Washer Hd., Type BT .....	AR
5	SD-038-64	Self-Tapping Screw M4 x 12 mm Phil. Pan Washer Hd., Type BT .....	AR
6	00-854065-00013	Motor – Ventilation .....	1
7	SD-038-63	Mach. Screw M4 x 8 mm Phil. Pan Washer Hd., Type BT .....	AR
8	00-854065-00023	TCO .....	1
9	00-854065-00034	Capacitor – Motor .....	1
10	00-854065-00044	Fuse .....	1
11	00-854065-00041	Noise Filter (VFBMW3 Only) .....	1
12	SD-038-64	Self-Tapping Screw M4 x 12 mm Phil. Pan Washer Hd., Type BT .....	AR
13	00-854065-00040	Fuse Holder (VFBMW2 Only) .....	1
14	00-854065-00014	Inlet – Air Tunnel .....	1
15	SD-038-63	Mach. Screw M4 x 8 mm Phil. Pan Washer Hd., Type BT .....	AR
16	00-854065-00042	Blower – Upper .....	1
17	00-854065-00025	Diode .....	1
18	00-854065-00024	Capacitor – High Voltage .....	1
19	00-854065-00009	Power Cord Assy. (VFBMW2 Only) .....	1
20	00-854065-00010	Power Cord Assy. (VFBMW3 Only) .....	1
21	00-854065-00046	Lead Wire Assy. (VFBMW2 Only) .....	1
22	00-854065-00047	Lead Wire Assy. (VFBMW3 Only) .....	1
23	00-854065-00006	Halogen Lamp Assy. (Upper) .....	1
24	00-854065-00023	TCO .....	1



PL-55468

**DOOR, CONTROL PANEL, AND DOOR SWITCHES**

ILLUS.	PART NO.	NAME OF PART	AMT.
1	00-854065-00054	Choke Cover .....	1
2	00-854065-00055	Latch & Spring Assy. ....	1
3	00-854065-00052	Door Assy. ....	1
4	00-854065-00053	Handle Assy. ....	1
5	00-854065-00008	Bracket – Latch .....	1
6	SD-038-64	Self-Tapping Screw M4 x 12 mm Phil. Pan Washer Hd., Type BT .....	AR
7	00-854065-00027	Switch – Primary Interlock & Door Sensing .....	1
8	00-854065-00026	Switch – Monitor .....	1
9	00-854065-00027	Switch – Primary Interlock & Door Sensing .....	1
10	SD-038-64	Self-Tapping Screw M4 x 12 mm Phil. Pan Washer Hd., Type BT .....	AR
11	00-854065-00003	Control Panel Assy. ....	1
12	00-854065-00050	Main PCB Assy. ....	1
13	00-854065-00039	LED Assy. ....	1
14	00-854065-00051	Display Assy. ....	1