

VULCAN

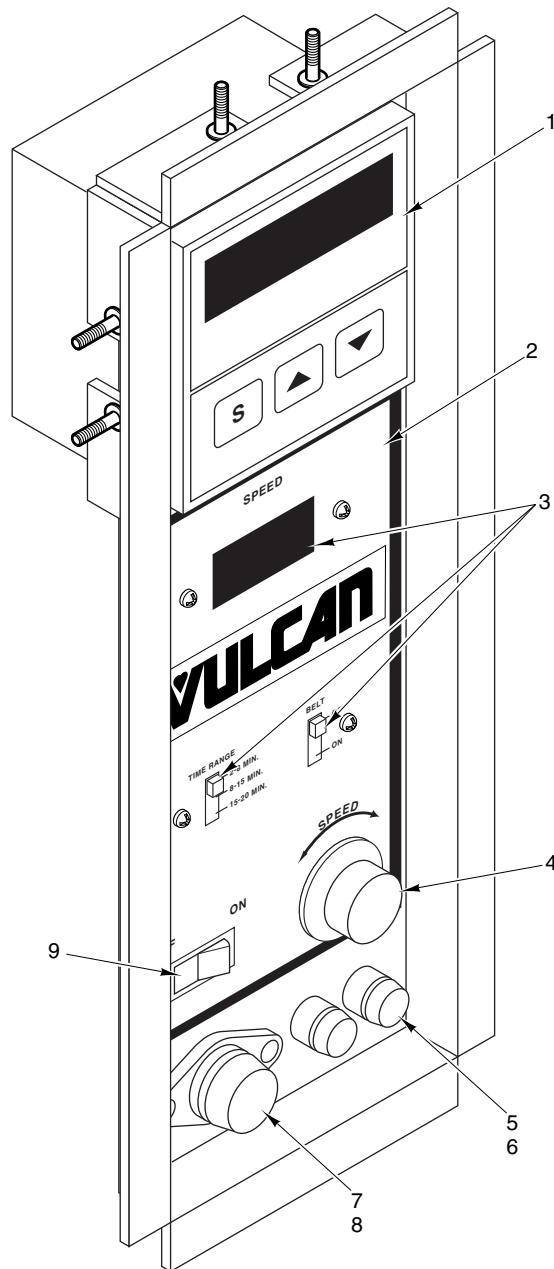
CATALOG OF REPLACEMENT PARTS

GAS CONVEYOR OVENS VGC SERIES

MODEL ML NUMBERS

ML-126196	VGC3018
ML-126197	VGC4018
ML-114830	VGC3632
ML-114832	VGC4832
ML-114835	VGC6032



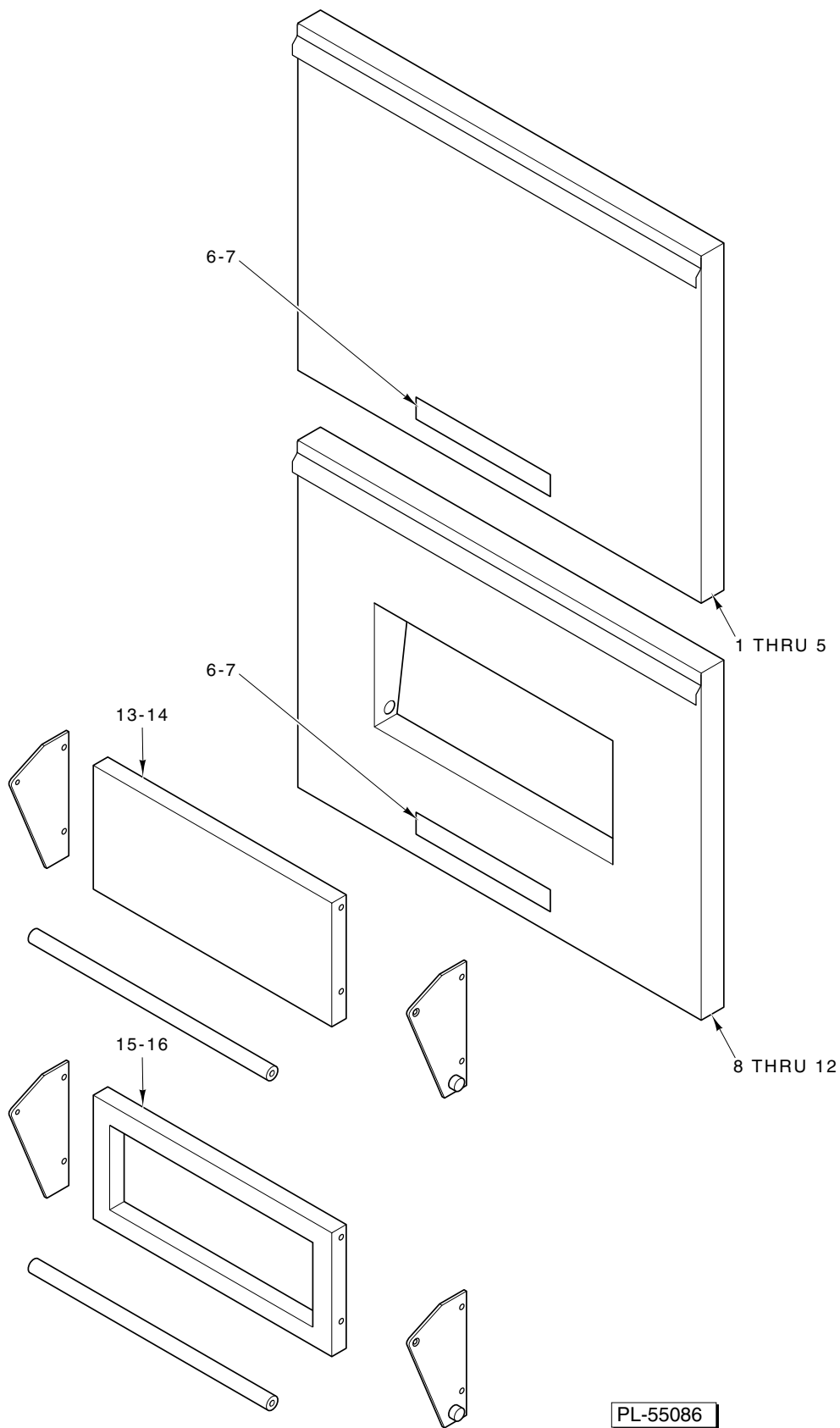


PL-55085

CONTROL PANEL

CONTROL PANEL

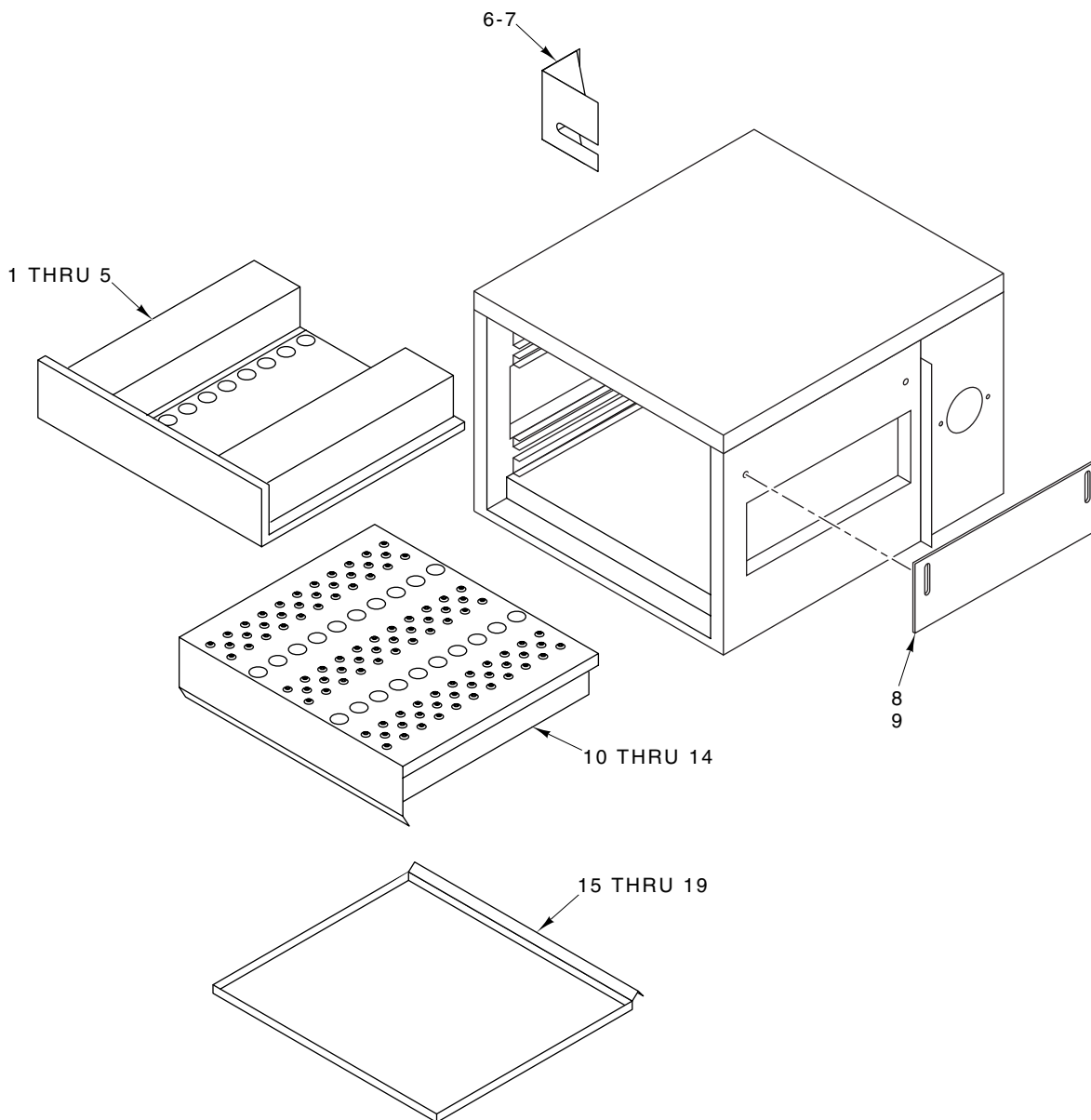
ILLUS. PL-55085	PART NO.	NAME OF PART	AMT.
1	00-425058-00001	Temperature Controller	1
2	00-425060-00001	Decal - Vulcan	1
3	00-425063-00001	Speed Control Board	1
4	00-425062-00001	Knob - Speed Control	1
5	00-425535-00001	Fuse Holder (Drive Motor)	2
6	00-425536-00001	Fuse - ³ / ₈ Amp. (Drive Motor)	2
7	00-425537-00001	Fuse Holder - Control Circuit	1
8	00-425538-00001	Fuse - 25 Amp., Control Circuit	1
9	00-425451-00001	Switch - ON/OFF	1
	00-425059-00001	Thermocouple	1
	00-425876-00001	Sleeve, Wrap - Polyurethane	1
	00-402558-00004	Clamp - Thermostat Bulb	1
	SD-029-04	Self - Tapping Screw 8-32 x ³ / ₈ Phil. Truss Hd., Type F	1



FRONT ACCESS PANELS

FRONT ACCESS PANELS

ILLUS. PL-55086	PART NO.	NAME OF PART	AMT.
1	00-426773-000G1	Front Access Panel (ML-126196).....	1
2	00-426777-000G1	Front Access Panel (ML-126197).....	1
3	00-426300-000G1	Front Access Panel (ML-114830).....	1
4	00-426300-000G2	Front Access Panel (ML-114832).....	1
5	00-426300-000G3	Front Access Panel (ML-114835).....	1
6	00-417700-00001	Nameplate - Vulcan 7 ¹ / ₄ Lg.	1
7	00-425982-00001	Receptacle - Stud	2
8	00-426781-000G1	Front Access Panel (ML-126196).....	1
9	00-426786-000G1	Front Access Panel (ML-126197).....	1
10	00-426363-000G1	Front Access Panel (ML-114830).....	1
11	00-426363-000G2	Front Access Panel (ML-114832).....	1
12	00-426363-000G3	Front Access Panel (ML-114835).....	1
13	00-427192-000G1	Front Sandwich Door - SST (ML-126196) (ML-126197)	1
14	00-425553-000G1	Front Sandwich Door - SST (ML-114830) (ML-114832) (ML-114835).....	1
15	00-427188-000G1	Front Sandwich Door - Glass (ML-126196) (ML-126197)	1
16	00-426375-000G1	Front Sandwich Door - Glass (ML-114830) (ML-114832) (ML-114835)	1

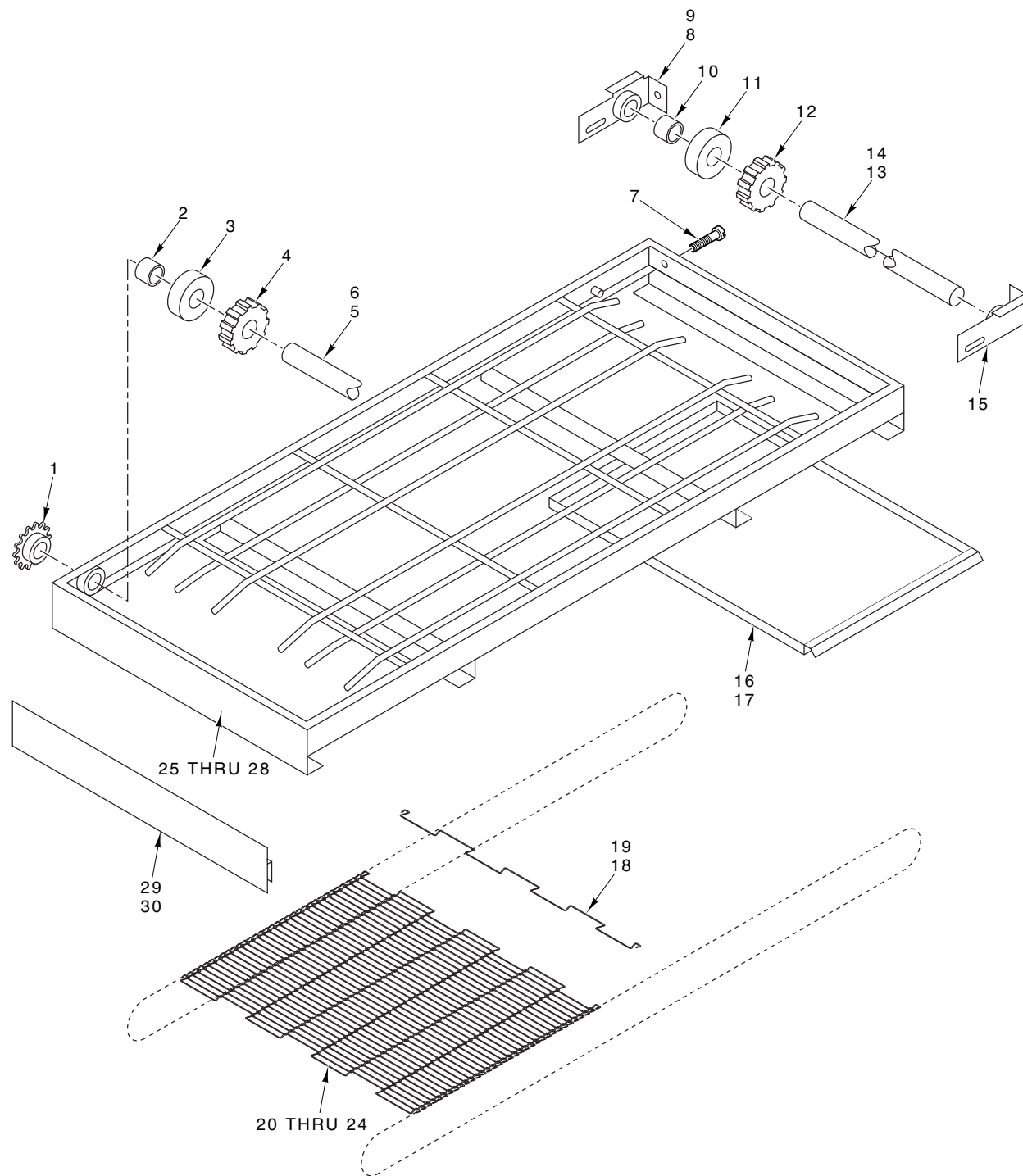


PL-55087

PANELS & DUCTS

PANELS & DUCTS

ILLUS. PL-55087	PART NO.	NAME OF PART	AMT.
1	00-425483-000G1	Air Distribution Panel, Top (ML-126196)	1
2	00-425574-000G1	Air Distribution Panel, Top (ML-114830)	1
3	00-425483-000G2	Air Distribution Panel, Top (ML-126197)	1
4	00-425579-000G2	Air Distribution Panel, Top (ML-114832)	1
5	00-425585-000G2	Air Distribution Panel, Top (ML-114835)	1
6	00-427022-000G1	Chain Cover Assy. (ML-126196) (ML-126197)	1
7	00-427022-000G2	Chain Cover Assy. (ML-114830) (ML-114832) (ML-114835)	1
8	00-427021-000G1	Tunnel Curtain, 18" (ML-126196) (ML-126197)	2
9	00-425576-000G1	Tunnel Curtain, 32" (ML-114830) (ML-114832)	2
10	00-425485-000G1	Air Distribution Panel, Bottom (ML-126196)	1
11	00-425575-000G2	Air Distribution Panel, Bottom (ML-114830)	1
12	00-425485-000G2	Air Distribution Panel, Bottom (ML-126197)	1
13	00-425580-000G2	Air Distribution Panel, Bottom (ML-114832)	1
14	00-425586-000G2	Air Distribution Panel, Bottom (ML-114835)	1
15	00-425481-00001	Crumb Tray (ML-126196)	1
16	00-425573-00001	Crumb Tray (ML-114830)	1
17	00-425481-00002	Crumb Tray (ML-126197)	1
18	00-425573-00002	Crumb Tray (ML-114832)	1
19	00-425573-00003	Crumb Tray (ML-114835)	1

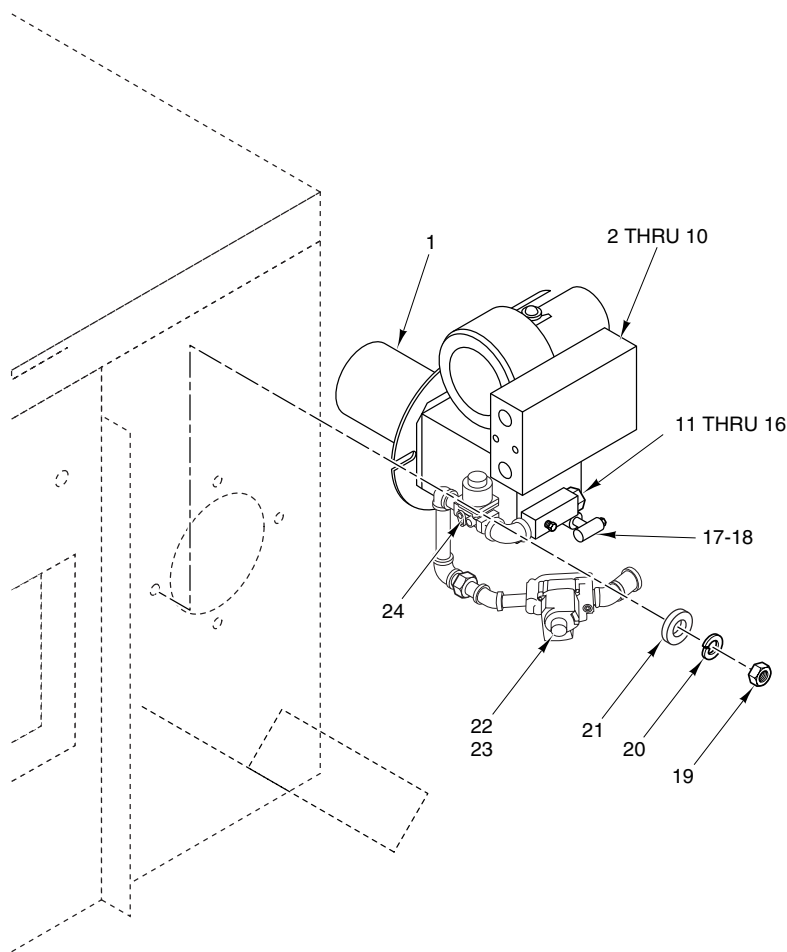


PL-55088

CONVEYOR ASSEMBLY

CONVEYOR ASSEMBLY

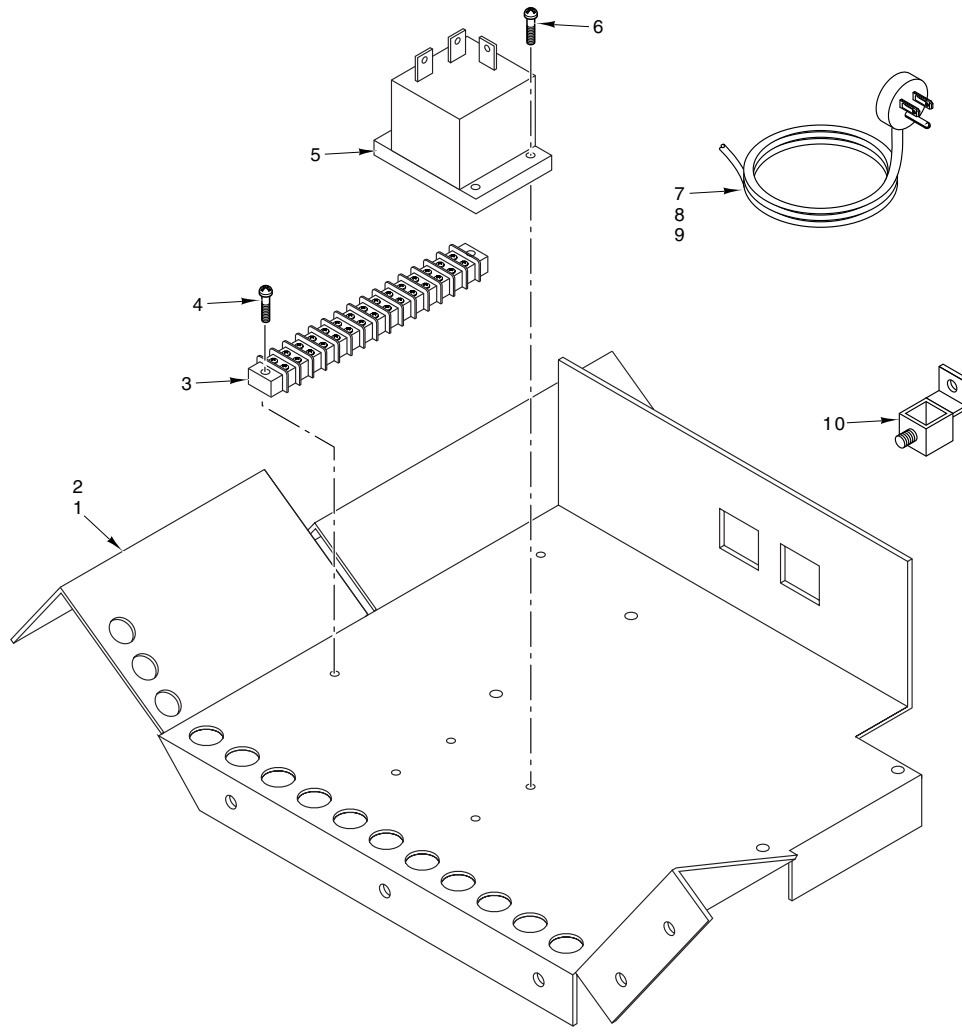
ILLUS. PL-55088	PART NO.	NAME OF PART	AMT.
1	00-425444-00001	Sprocket - Drive	1
2	00-425446-00001	Bushing - Shaft	2
3	00-425447-00001	Blank - Belt	AR
4	00-425448-00001	Sprocket - Belt	AR
5	00-425445-00001	Shaft - Drive (ML-126196) (ML-126197)	1
6	00-425516-00002	Shaft - Drive (ML-114830) (ML-114832) (ML-114835)	1
7	SC-022-36	Mach. Screw 1/4-20 x 1 1/4 Flat HD.	2
8	00-425673-000G1	Tensioner - Belt (ML-126196) (ML-126197)	1
9	00-424482-000G1	Tensioner - Belt, Right (ML-114830) (ML-114835)	1
10	00-425446-00001	Bushing - Shaft	2
11	00-425447-00001	Blank - Belt	AR
12	00-425448-00001	Sprocket - Belt	AR
13	00-425480-00001	Shaft - Idle (ML-126196) (ML-126197)	1
14	00-425572-00002	Shaft - Idle (ML-114830) (ML-114832)	1
15	00-424482-000G2	Tensioner - Belt, Left (ML-114830) (ML-114832) (ML-114835)	1
16	00-425475-00001	Crumb Pan - 18" (ML-126196) (ML-126197)	2
17	00-425568-00001	Crumb Pan - 32" (ML-114830) (ML-114832) (ML-114835)	2
18	00-425476-00001	Splicing Strand - 18" (ML-126196) (ML-126197)	2
19	00-425569-00001	Splicing Strand - 32" (ML-114830) (ML-114832)	3
20	00-425449-00001	Belt - Wire, 18" (ML-126196)	1
21	00-425520-00001	Belt - Wire, 32" (ML-114830)	1
22	00-425477-00001	Belt - Wire, 18" (ML-126197)	1
23	00-425521-00001	Belt - Wire, 32" (ML-114832)	1
24	00-425522-00001	Belt - Wire, 32" (ML-114835)	1
25	00-425676-000G1	Conveyor Assembly (ML-126196)	1
26	00-425571-000G1	Conveyor Assembly (ML-114830)	1
27	00-425677-000G1	Conveyor Assembly (ML-126197) (ML-114832)	1
28	00-425583-000G1	Conveyor Assembly (ML-114835)	1
29	00-425450-00001	Product Stop (ML-126196) (ML-126197)	1
30	00-425527-00001	Product Stop (ML-114830) (ML-114832) (ML-114835)	1



PL-55089

GAS BURNER ASSEMBLY

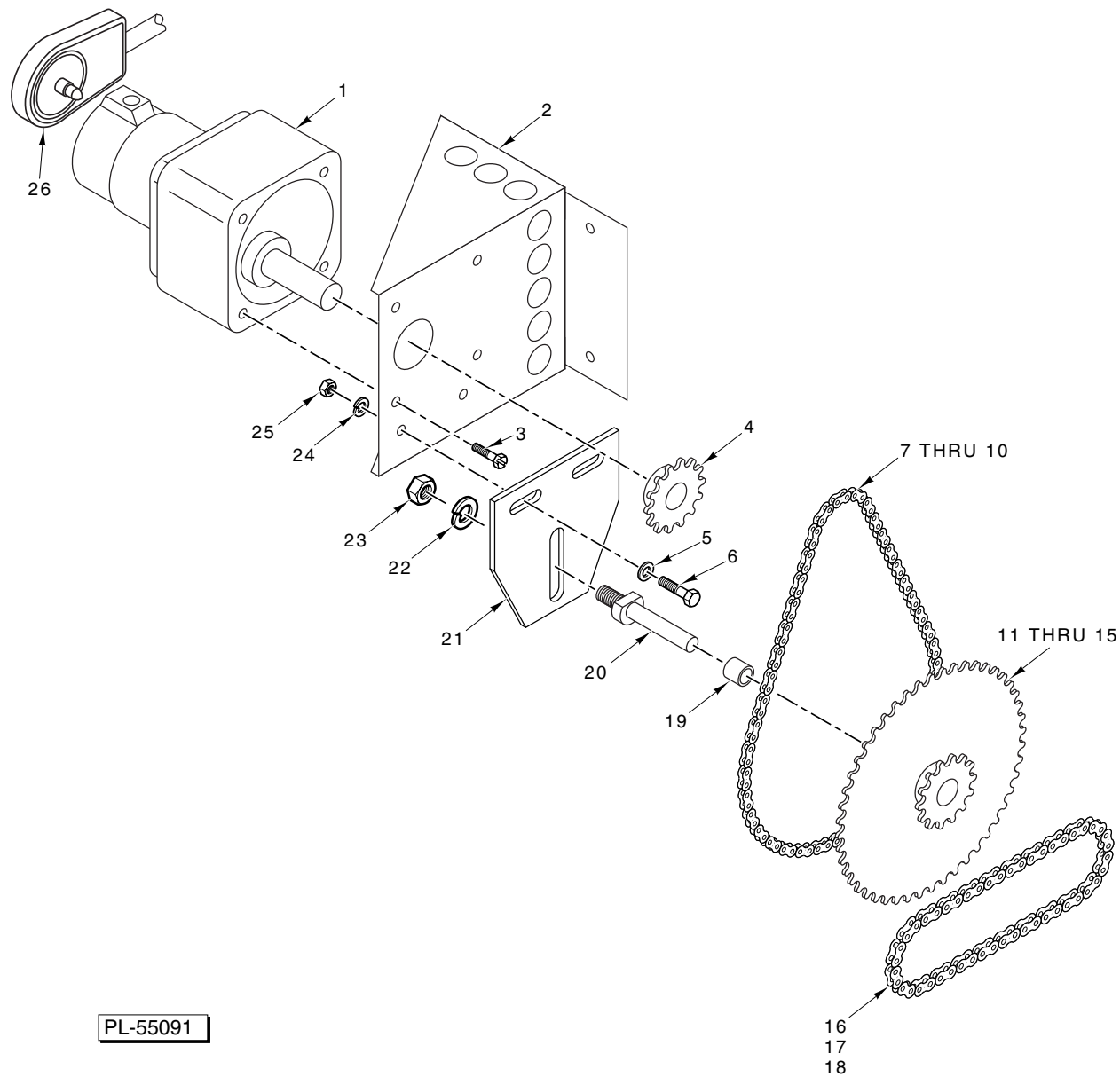
ILLUS. PL-55089	PART NO.	NAME OF PART	AMT.
	1	00-425462-00001 Burner Assy.	1
	2	00-425466-00001 Electronic Control - Ignition	1
	3	00-425467-00001 Motor - With Centrifugal Switch	1
	4	00-425468-00001 Relay - Motor Switching	1
	5	00-425469-00001 Flame Sensor	1
	6	00-425470-00001 Spark Electrode	1
	7	00-425471-00001 Boot - Flame Sensor	1
	8	00-425472-00001 Spark Ignition Wire	1
	9	00-425473-00001 Flame Sensor Wire	1
	10	00-425474-00001 Transformer (120V. Pri.) (24V Sec.)	1
	11	00-425463-00001 Orifice (NAT) (ML-126196) (ML-126197)	1
	12	00-425463-00002 Orifice (PRO) (ML-114830)	1
	13	00-425463-00003 Orifice (PRO) (ML-114832) (ML-114835)	1
	14	00-425463-00004 Orifice (NAT) (ML-114830) (ML-114832)	1
	15	00-425463-00005 Orifice (NAT) (ML-114835)	1
	16	00-425463-00007 Orifice (PRO) (ML-126196) (ML-126197)	1
	17	00-425534-00001 Pilot Orifice - Natural Gas	1
	18	00-425534-00002 Pilot Orifice - Propane Gas	1
	19	NS-015-13 Nut ³ / ₈ -16 Hex	4
	20	WL-006-28 Lockwasher ³ / ₈	4
	21	WS-006-33 Washer	4
	22	00-425465-00001 Valve - Redundant Type	1
	23	00-426295-00001 Pilot Tube Assembly	1
	24	00-425712-00001 Valve - Solenoid	1



PL-55090

CONTROL PANEL ASSEMBLY

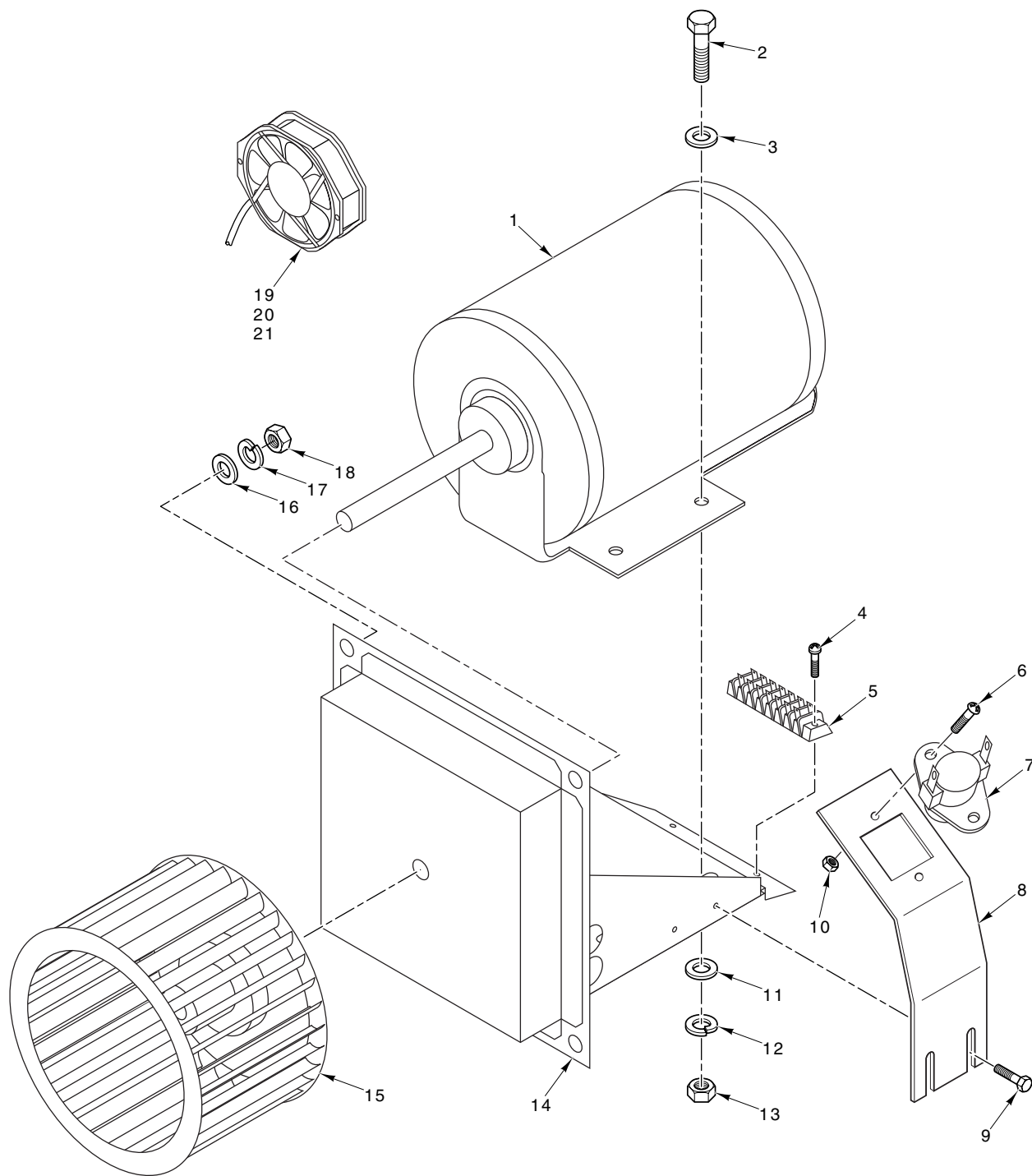
ILLUS. PL-55090	PART NO.	NAME OF PART	AMT.
1	00-425868-00001	Plate - Gas Mounting (ML-126196) (ML-126197)	1
2	00-426131-000G1	Plate - Gas Mounting (ML-114830) (ML-114832) (ML-114835)	1
3	00-425453-00001	Terminal Block - 15 Pole (250V.)	1
4	SD-036-96	Self-Tapping Screw 8-18 x 3/4 Hex Washer Hd., Type AB	2
5	00-425454-00001	Relay	1
6	SD-036-96	Self-Tapping Screw 8-18 x 3/4 Hex Washer Hd., Type AB	2
7	00-425492-00001	Cord - Power (ML-126196) (ML-126197)	1
8	00-426132-00001	Cord - Power (ML-114830) (ML-114832) (ML-114835)	1
9	00-425873-00001	Strain Relief	1
10	00-425455-00001	Lug - Ground	1
	00-426559-00001	Speed Control Board	1



CONVEYOR DRIVE MOTOR

CONVEYOR DRIVE MOTOR

ILLUS. PL-55091	PART NO.	NAME OF PART	AMT.
1	00-427037-00001	Gear Motor	1
2	00-425857-00001	Plate - Gear Motor Mounting	1
3	SC-114-03	Mach. Screw 10-32 x 1/2 Hex Washer Hd.	4
4	00-425072-00001	Sprocket - Large	1
5	WS-003-03	Washer	4
6	SC-110-26	Mach. Screw 1/4-20 x 1 Hex Hd.	2
7	00-425442-00001	Chain - Motor to Reducer (ML-126196) (ML-126197)	1
8	00-425541-00001	Chain - Motor to Reducer (ML-114830)	1
9	00-425543-00001	Chain - Motor to Reducer (ML-114835)	1
10	00-425542-00001	Chain - Motor to Reducer (ML-114832)	1
11	00-425073-00001	Sprocket Assembly - Reducer (ML-126196)	1
12	00-425539-000G1	Sprocket Assembly - Reducer (ML-114830)	1
13	00-425074-00001	Sprocket Assembly - Reducer (ML-126197)	1
14	00-425513-000G1	Sprocket Assembly - Reducer (ML-114832)	1
15	00-425514-000G1	Sprocket Assembly - Reducer (ML-114835)	1
16	00-425533-00001	Chain - Reducer to Conveyor (ML-126196) (ML-114832) (ML-114835)	1
17	00-426751-00001	Chain - Reducer to Conveyor (ML-114830)	1
18	00-425540-00001	Chain - Reducer to Conveyor (ML-126197)	1
19	00-425071-00001	Bushing - Reducer	1
20	00-425070-00001	Pin - Sprocket	1
21	00-425858-00001	Support - Gear Reducer	1
22	WS-006-33	Washer	1
23	NS-015-13	Nut 3/8-16 Hex	1
24	WS-006-17	Washer	2
25	NS-013-01	Nut 1/4-20 Hex	2
26	00-426753-00001	Sensor - Speed Control	1



PL-55092

BLOWER-MOTOR & FAN

BLOWER-MOTOR & FAN

ILLUS. PL-55092	PART NO.	NAME OF PART	AMT.
1	00-425052-00001	Motor - Blower, High Temp	1
2	SC-110-26	Mach. Screw 1/4-20 x 1 Hex Hd.	4
3	WS-003-03	Washer	4
4	SD-036-96	Self-Tapping Screw 8-18 x 3/4 Hex Washer Hd., Type AB	2
5	00-425452-00001	Terminal Block	1
6	SC-060-23	Mach. Screw 4-40 x 1/4 Rd. Hd.	2
7	00-425056-00001	Thermodisc	1
8	00-425055-00001	Support - Thermodisc	1
9	SD-036-96	Self-Tapping Screw 8-18 x 3/4 Hex Washer Hd., Type AB	2
10	NS-044-01	Nut Assy. 4-40 "Keps"	2
11	WS-003-03	Washer	4
12	WL-006-17	Lockwasher 1/4 Medium	4
13	NS-013-01	Nut 1/4-20 Hex	4
14	00-425851-000G1	Support - Blower-Motor Assy.	1
15	00-425053-00001	Blower - Wheel	1
16	WS-006-33	Washer	4
17	WL-006-28	Lockwasher 3/8	4
18	NS-015-13	Nut 3/8-16 Hex	4
19	00-425064-00001	Axial Fan	1
20	00-425065-00001	Guard - Axial Fan Cover	1
21	00-425066-00001	Cord - Axial Fan	1

ACCESSORIES & LEGS

ILLUS. PL-55093	PART NO.	NAME OF PART	AMT.
1	00-425683-000G1	Legs - 4 IN. Set of 4 SST Counter (ML-126196) (ML-126197)	1
2	00-425684-000G1	Legs (17") (W/Casters) (Set of 4) (Double Stack Ovens)	1
3	00-425685-000G1	Legs (23") (W/Casters) (Set of 4) (Single Stack Ovens)	1
4	00-425686-000G1	Stand - Shelf & Casters (24") (ML-126196) (Single Section & Double Stack Ovens)	1
5	00-425687-000G1	Stand - W/Casters (13") (ML-126196) (Triple Stack Ovens)	1
6	00-425688-000G1	Stand - W/Shelf & Casters (24") (ML-126197)(Single Section & Double Stack Ovens)	1
7	00-425689-000G1	Stand - W/Casters (13") (ML-126197) (Triple Stack Ovens)	1
8	00-425690-000G1	Extension - SST(12" x 18") Left Side (ML-126196) (ML-126197)	AR
9	00-425691-000G1	Extension - SST(12" x 18") Right Side (ML-126196) (ML-126197)	AR
10	00-425700-000G1	Flexhose - 4 FT., Strain Relief & Shut Off Valve	AR
11	00-425696-000G1	Extension - SST(12" x 32") Left Side (ML-114830) (ML-114832)	AR
12	00-425697-000G1	Extension - SST(12" x 32") Right Side (ML-114830) (ML-114832)	AR
13	00-425698-000G1	Extension - SST(18" x 32") Left Side (ML-114830) (ML-114832)	AR
14	00-425699-000G1	Extension - SST(18" x 32") Right Side (ML-114830) (ML-114832)	AR