

# CATALOG OF REPLACEMENT PARTS CHALLENGER XL AND ENDURANCE SERIES GAS RANGES

**ITW Food Equipment Group**

## VULCAN



### MODELS

24S	48S	60
C24S	C48S	C60
G24S	G48S	G60
	C48SS	
36S	G48SS	72
C36S	48C	C72
G36S	C48C	G72
36C	G48C	
C36C		
G36C		



For additional information on Vulcan-Hart Company or to locate an authorized parts and service provider in your area, visit our website at [www.vulcanequipment.com](http://www.vulcanequipment.com)

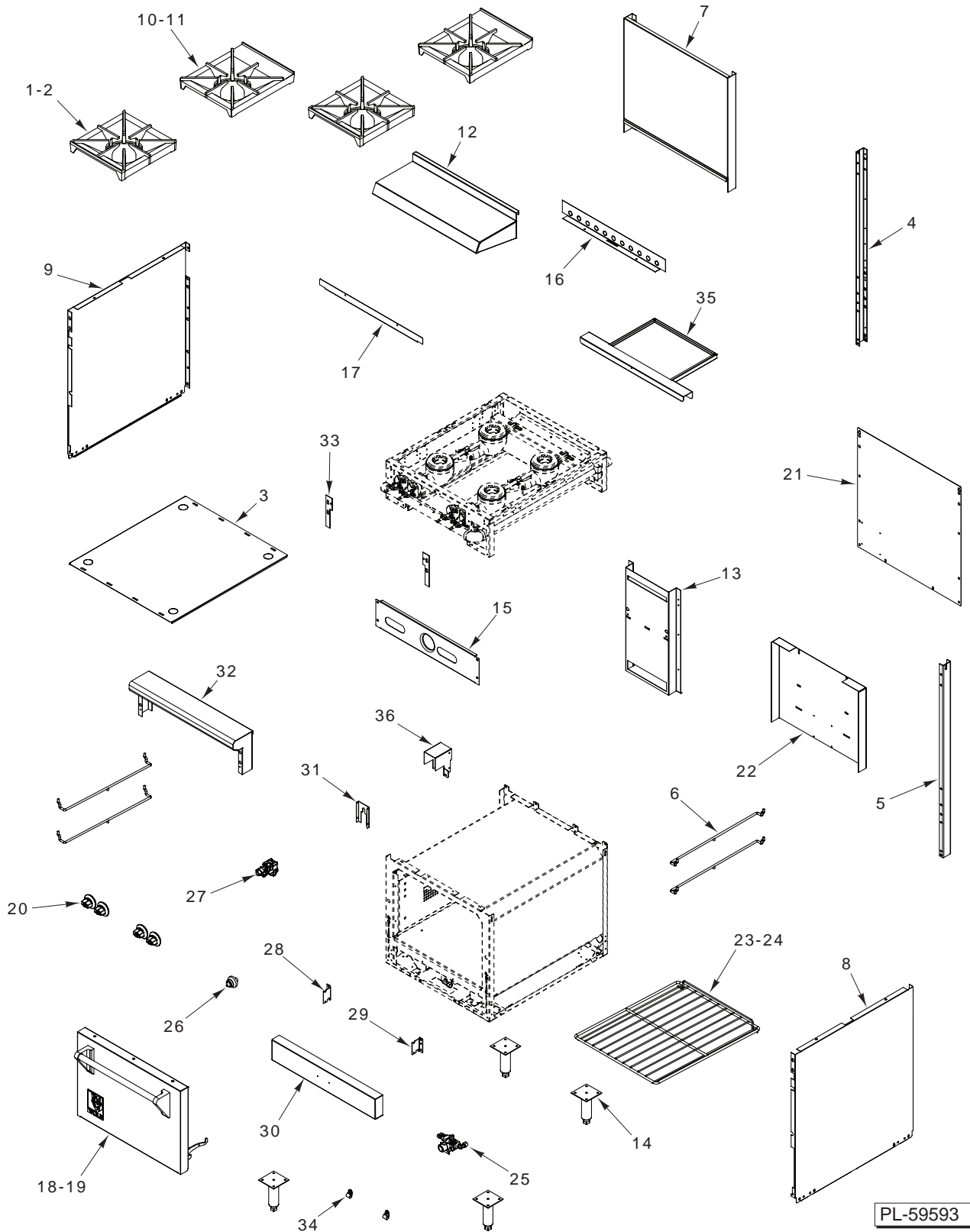
## Table Of Contents

3	ORIFICE CHART
5	RANGE BODY AND PANELS (24 SERIES)
7	RANGE BODY AND PANELS (36 SERIES)
9	RANGE BODY AND PANELS (60 SERIES WITH GRIDDLE/BROILER)
11	RANGE BODY AND PANELS (60 SERIES)
13	RANGE BODY AND PANELS (72 SERIES)
14	DOOR ASSEMBLY (WOLF RANGES)
15	DOOR ASSEMBLY (VULCAN RANGES)
16	OPEN TOP BURNER (WITH PILOT)
17	OPEN TOP BURNER (WITH FLASH TUBE)
18	OPEN TOP BURNER MODULE (12 INCH ASSEMBLY)
19	OPEN TOP BURNER MODULE (24 INCH ASSEMBLY)
20	OPEN TOP BURNER MODULE (36 INCH ASSEMBLY)
21	GRIDDLE/BROILER TOP MODULE
23	THERMOSTAT GRIDDLE CONTROL ASSEMBLY (24 INCH UNITS)
25	THERMOSTAT GRIDDLE CONTROL ASSEMBLY (36 INCH UNITS)
26	CONVECTION OVEN CONTROL BRACKET (BEFORE 3/11/2010)
27	CONVECTION OVEN CONTROL BRACKET (ON OR AFTER 3/11/2010)
28	STANDARD OVEN CONTROL BRACKET
29	OVEN BURNER ASSEMBLY
31	STANDARD OVEN MODULE (24 SERIES)
33	CONVECTION OVEN MODULE (24 SERIES)
35	STANDARD OVEN MODULE (36 SERIES)
37	CONVECTION OVEN MODULE (36 SERIES) (ON OR AFTER 3/10/2010)
39	GRIDDLE TOP MODULE (12 INCH UNIT)
41	GRIDDLE TOP MODULE (24 INCH UNIT)
43	GRIDDLE TOP MODULE (36 INCH UNIT)
44	OPEN TOP BURNER MANIFOLD ASSEMBLIES
45	CONVECTION MOTOR ASSEMBLY (24 INCH UNIT)
46	CONVECTION MOTOR ASSEMBLY (30 INCH UNIT)
47	CONVECTION MOTOR ASSEMBLY (FB) (30 INCH UNIT)
48	ACCESSORIES FOR STEP-UP BURNERS

CHALLENGER XL AND ENDURANCE SERIES GAS RANGES REPLACEMENT PARTS

All orifices use the following base part number												
00-719951-000xx												
Find the device, gas type, and elevation												
(e.g. the orifice for the Hot Top, propane, 2000-3999 elevation would use <a href="#">00-719951-00059</a> )												
COP	DEVICE	BTU	0		2		4		6		8	
			1	2	3	4	5	6	7	8	9	10
			NAT	PRO	NAT	PRO	NAT	PRO	NAT	PRO	NAT	PRO
			0 TO 1999	0 TO 1999	2000 TO 3999	2000 TO 3999	4000 TO 5999	4000 TO 5999	6000 TO 7999	6000 TO 7999	8000 TO 9999	8000 TO 9999
			30,000	27,500	42	53	43	54	44	54	44	54
			20,000	20,000	45	54	47	54	48	55	49	56
			35,000	32,000	36	51	38	52	41	53	42	53
			32,000	32,000	36	51	36	52	39	53	41	53
			25,000	25,000	43	53	44	54	46	54	47	55
			25,000	25,000	42	53	43	54	44	54	46	55
			14,000	14,000	51	57	52	60	53	61	53	63
			10,000	10,000	55	64	56	66	56	67	57	68

ORIFICE CHART

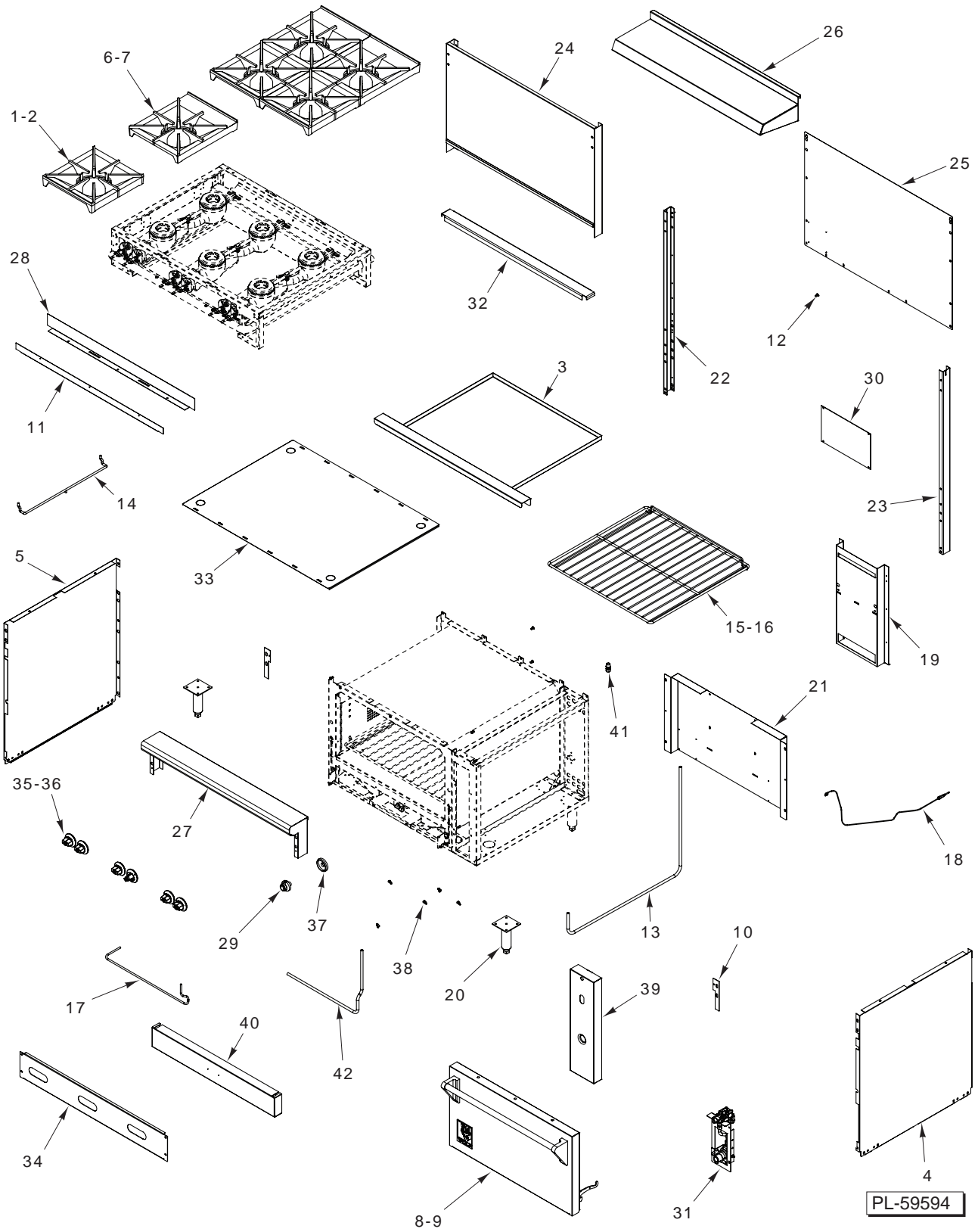


PL-59593

**RANGE BODY AND PANELS (24 SERIES)**

**RANGE BODY AND PANELS (24 SERIES)**

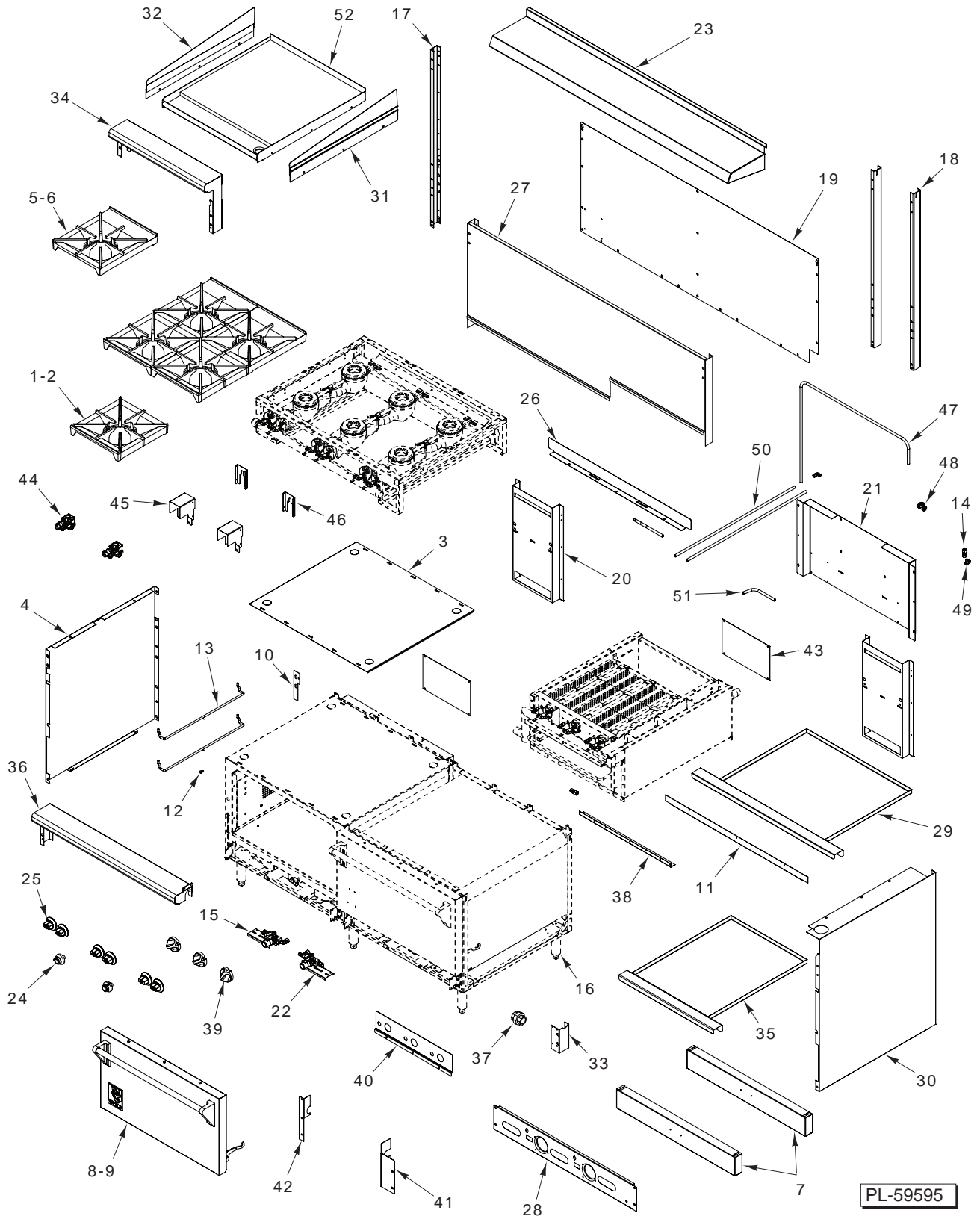
ILLUS. PL-59593	PART NO.	NAME OF PART	AMT.
1	00-925000	Grate – Front (Wolf).....	2
2	00-925028	Grate – Front (Vulcan) .....	2
3	00-923518	Cover – Insulation.....	1
4	00-921051	Bayonet Back Channel (LH) .....	1
5	00-921052	Bayonet Back Channel (RH).....	1
6	00-921064	Rack Slide.....	4
7	00-923507	Back Splash – Front (24 In.) .....	1
8	00-921047	Side Panel – Right.....	1
9	00-921048	Side Panel – Left .....	1
10	00-925001	Grate – Rear (Wolf).....	2
11	00-925029	Grate – Rear (Vulcan).....	2
12	00-923506-0000A	Top Shelf Assy.....	1
13	00-921083	Back Flue Channel .....	1
14	00-413112-00012	Leg – Adjustable (6 In.) (SST) .....	4
15	00-924522	Manifold Cover (24 In.) (T-Stat) .....	1
16	00-924518	Heat Shield Rear (24 In.) .....	1
17	00-924520	Front Heat Shield (24 In.) .....	1
18	00-922065-0000A	Door Assy. (24 In.) (Wolf).....	1
19	00-922066-0000A	Door Assy. (24 In.) (Vulcan) .....	1
20	00-719255-00012	Knob – Red (Wolf) .....	4
21	00-923525	Rear Heat Shield (24 In.) .....	1
22	00-921786	Rear Flue (24 In.).....	1
23	00-923508-0000A	Oven Rack (24 In.) (Standard).....	1
24	00-921634-0000A	Oven Rack (24 In.) (Convection) .....	1
25	00-923533-0000A	Control Assy. (CBA-48SSL) .....	1
26	00-922012	BJ Thermostat Knob .....	1
27	00-922020	BJ Thermostat.....	1
28	00-921203	Hinge – Kick Panel (LH) .....	1
29	00-921204	Hinge – Kick Panel (RH).....	1
30	00-921305-0000A	Vulcan Kick Panel Assy. (24 In.) .....	1
31	00-921014	Cover Back – BJ Valve .....	1
32	00-925490	Bull Nose Assy. (24 In.).....	1
33	00-921058	Gasket – Bullnose.....	2
34	00-402558-00004	Tubing Clip.....	5
35	00-921142-0000A	Crumb Tray Assy. (24 In.) .....	1
36	00-921013	Cover – BJ Valve .....	1
	00-497001-00001	Caster (Without Brake) .....	AR
	00-479001-00002	Caster (With Brake) .....	AR



**RANGE BODY AND PANELS (36 SERIES)**

**RANGE BODY AND PANELS (36 SERIES)**

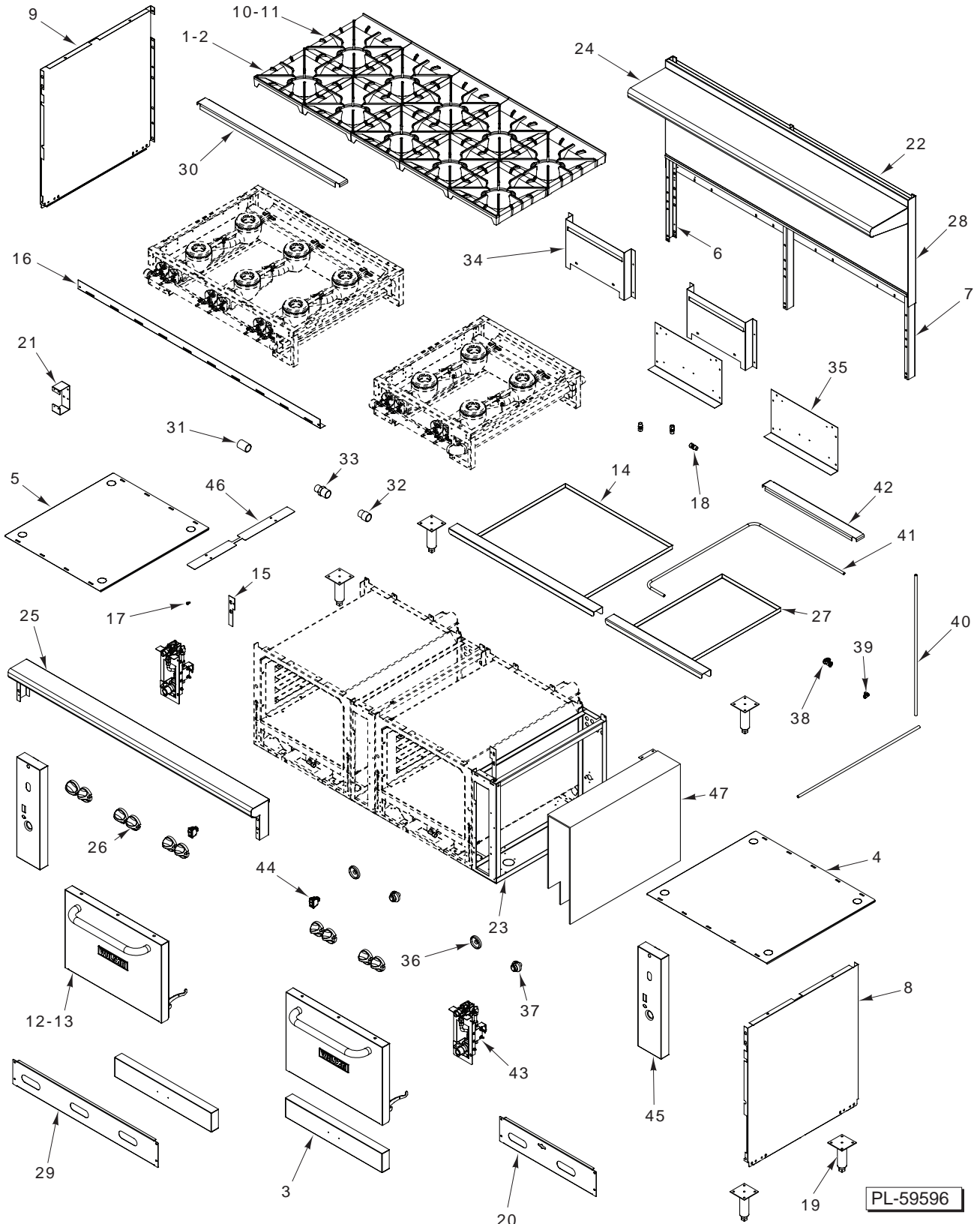
ILLUS. PL-59594	PART NO.	NAME OF PART	AMT.
1	00-925000	Grate – Front (Wolf).....	3
2	00-925028	Grate – Front (Vulcan).....	3
3	00-921044-0000A	Crumb Tray Assy. (36 In.).....	1
4	00-921047	Side Panel – Right.....	1
5	00-921048	Side Panel – Left.....	1
6	00-925001	Grate – Rear (Wolf).....	3
7	00-925029	Grate – Rear (Vulcan).....	3
8	00-922067-0000A	Door Assy. (30 In.) (Wolf).....	1
9	00-922068-0000A	Door Assy. (30 In.) (Vulcan).....	1
10	00-921058	Gasket – Bullnose.....	2
11	00-921059	Heat Shield.....	1
12	00-730228	Self-Tapping Screw 10-24 X 1/2.....	11
13	00-426508-00060	Flex Tube (7/16 X 60 In.).....	1
14	00-921064	Rack Slide.....	4
15	00-921010-0000A	Oven Rack (30 In.) (Standard).....	2
16	00-921548-0000A	Oven Rack (30 In.) (Convection).....	2
17	00-426505-00042	Flex Tube (1/4 X 42 In.).....	1
18	00-921565	Thermocouple Assy.....	1
19	00-921083	Back Flue Channel.....	1
20	00-413112-00012	Leg (6 In. Adjustable) (SST).....	4
21	00-921105	Rear Flue.....	1
22	00-921051	Bayonet – Back Channel (LH).....	1
23	00-921052	Bayonet – Back Channel (RH).....	1
24	00-921053	Back Splash – Front.....	1
25	00-921411	Rear Heat Shield.....	1
26	00-921038-0000A	Top Shelf Assy.....	1
27	00-921017-0000A	Bull Nose Assy.....	1
28	00-921148	Heat Shield.....	1
29	00-922012	BJ Thermostat – Knob.....	1
30	00-921410	Cover – Flue Mid.....	1
31	00-922011-0000A	Standard Control Assy.....	1
32	00-925034	Grate Support.....	1
33	00-922006	Cover – Insulation.....	1
34	00-921170	Manifold Cover.....	1
35	00-921215	Knob (Wolf).....	6
36	00-428300-00001	Knob – Endurance.....	6
37	00-719384	BJ Bezzle.....	1
38	00-402558-00004	Tubing Clip.....	5
39	00-921312	Control Panel – Standard.....	1
40	00-921309-0000A	Kick Panel Assy.....	1
41	FP-085-42	Fitting 3/8 X 7/16.....	1
42	00-426508-00036	Flex Tube (7/16 X 36 In.).....	1



RANGE BODY AND PANELS (60 SERIES WITH GRIDDLE/BROILER)

**RANGE BODY AND PANELS (60 SERIES WITH GRIDDLE/BROILER)**

ILLUS.	PART NO.	NAME OF PART	AMT.
	PL-59595		
1	00-925000	Grate – Front (Wolf).....	3
2	00-925028	Grate – Front (Vulcan).....	3
3	00-921036	Cover – Insulation.....	2
4	00-921048	Side Panel – Left.....	1
5	00-925001	Grate – Rear (Wolf).....	3
6	00-925029	Grate – Rear (Vulcan).....	3
7	00-921309-0000A	Kick Panel Assy.....	2
8	00-922067-0000A	Door Assy. (30 In.) (Wolf).....	2
9	00-922068-0000A	Door Assy. (30 In.) (Vulcan).....	2
10	00-921058	Gasket – Bull Nose.....	1
11	00-921059	Heat Shield.....	1
12	00-730228	Self-Tapping Screw 10-24 X 1/2.....	7
13	00-921064	Rack Slide.....	4
14	FP-085-42	Fitting 3/8 X 7/16.....	2
15	00-929020-0000A	CBA-60L Control Bracket Assy.....	1
16	00-413112-00012	Leg (6 In. Adjustable) (SST).....	6
17	00-921051	Bayonet – Back Channel (LH).....	1
18	00-921052	Bayonet – Back Channel (RH).....	2
19	00-929007	Rear Heat Shield (60 In.).....	1
20	00-921083	Back Flue Channel.....	2
21	00-921105	Rear Flue.....	2
22	00-929021-0000A	CBA-60R Control Bracket Assy.....	1
23	00-929005-0000A	Top Shelf Assy. (60 In.).....	1
24	00-922012	BJ Thermostat – Knob.....	2
25	00-921215	Knob (Wolf).....	6
26	00-921148	Heat Shield.....	1
27	00-921258	Back Splash – Front.....	1
28	00-763289	Manifold Cover (36 In.) (C60CC).....	1
29	00-921044-0000A	Crumb Tray Assy. (36 In.).....	1
30	00-921252	Side Panel Right.....	1
31	00-926513-0000A	Splash Assy. – Outer (RH).....	1
32	00-926527-0000A	Splash Assy. – Outer (LH).....	1
33	00-921254	Bracket – Manifold (260).....	1
34	00-925490-0000A	Bull Nose Assy. (260).....	1
35	00-921247-0000A	Crumb Tray Assy. (260).....	1
36	00-921269-0000A	Bull Nose Assy. (260).....	1
37	00-925055	Union (1 In.).....	1
38	00-921483	Mounting Bracket (260).....	1
39	00-428300	Knob 2.75 Dia.....	3
40	00-921482	Manifold Cover (260).....	1
41	00-921481	Right Manifold Bracket (260).....	1
42	00-921480	Left Manifold Bracket (260).....	1
43	00-921410	Cover – Flue Mid.....	2
44	00-922021	BJWA-60 Thermostat.....	2
45	00-921013	Cover – BJ Valve.....	2
46	00-921014	Cover Back – BJ Valve.....	2
47	00-426508-00060	Flex Tube (7/16 X 60 In.).....	2
48	00-925060	Tee 3/8.....	1
49	00-719156	Elbow 3/8 X 7/16.....	2
50	00-426508-00030	Flex Tube (7/16 X 30 In.).....	3
51	00-426508-00008	Flex Tube (7/16 X 8 In.).....	2
52	00-921255-0000A	Griddle Assy. (24 In.).....	1

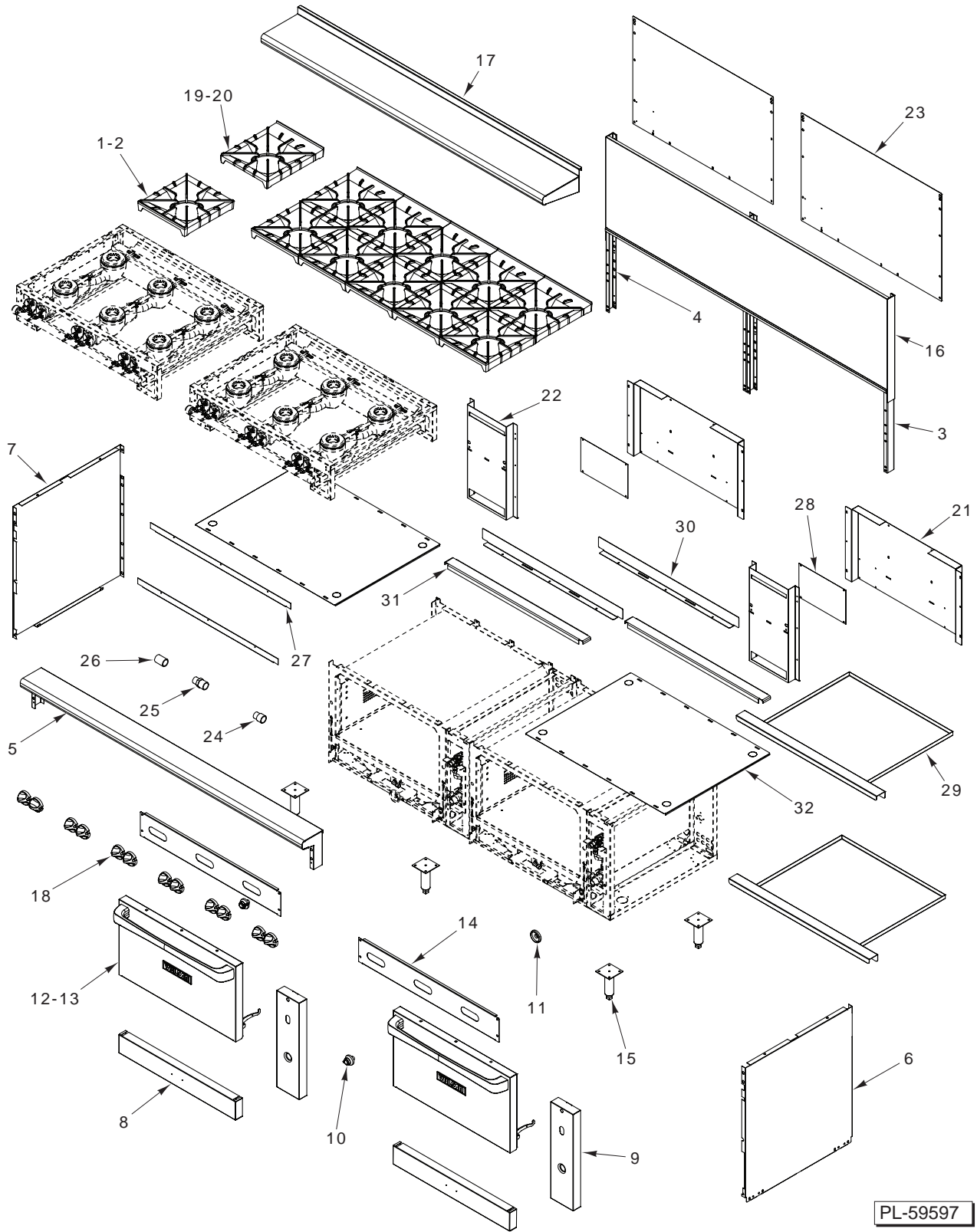


PL-59596

**RANGE BODY AND PANELS (60 SERIES)**

**RANGE BODY AND PANELS (60 SERIES)**

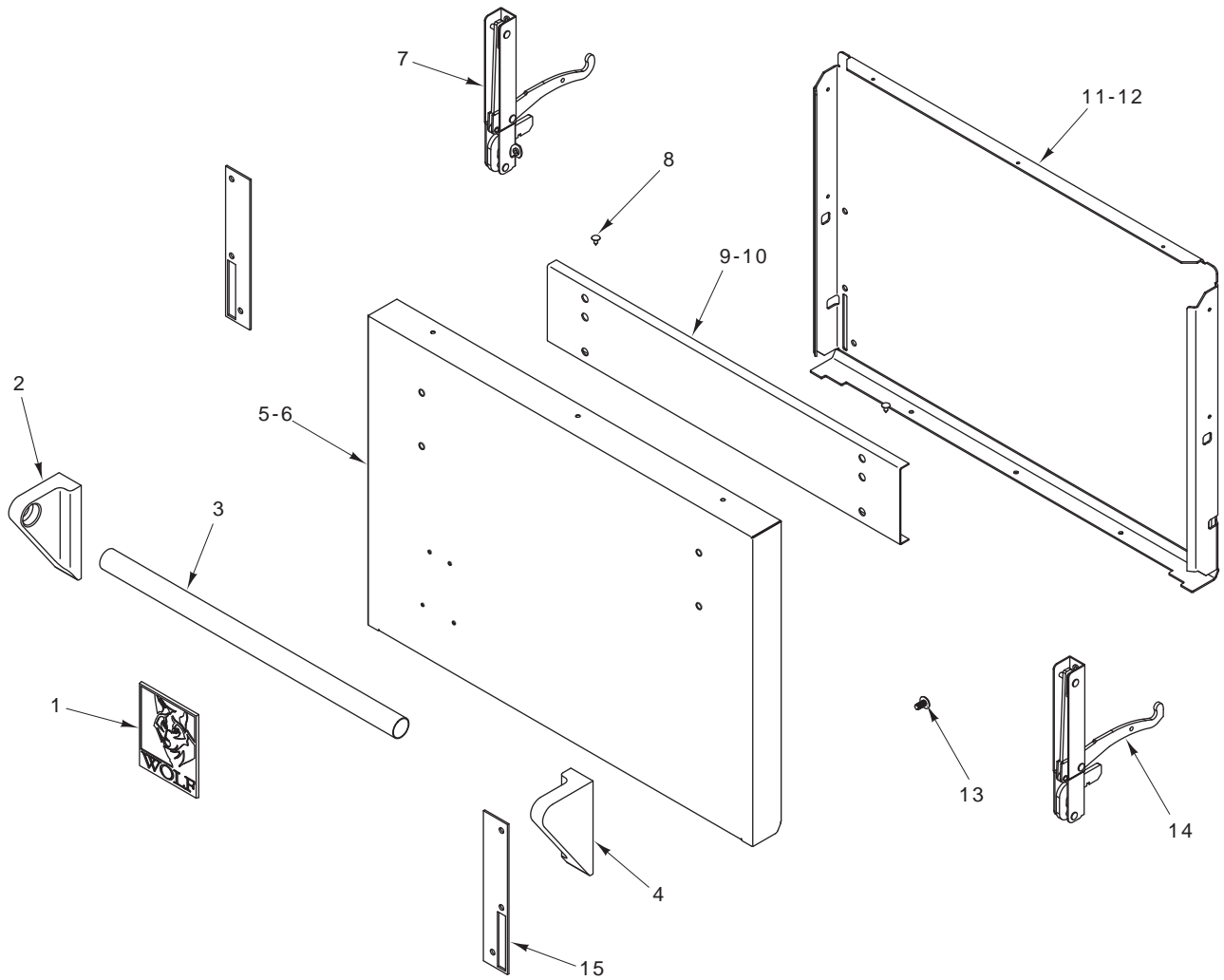
ILLUS.	PART NO.	NAME OF PART	AMT.
	PL-59596		
1	00-925000	Grate – Front (Wolf).....	5
2	00-925028	Grate – Front (Vulcan).....	5
3	00-921309-0000A	Kick Panel Assy.....	2
4	00-921036	Cover – Insulation.....	1
5	00-923518	Cover – Insulation.....	1
6	00-921051	Bayonet – Back Channel (LH).....	1
7	00-921052	Bayonet – Back Channel (RH).....	2
8	00-921047	Side Panel – Right.....	1
9	00-921048	Side Panel – Left.....	1
10	00-925001	Grate – Rear (Wolf).....	5
11	00-925029	Grate – Rear (Vulcan).....	5
12	00-922067-0000A	Door Assy. (30 In.) (Wolf).....	2
13	00-922068-0000A	Door Assy. (30 In.) (Vulcan).....	2
14	00-921044-0000A	Crumb Tray Assy. (36 In.).....	1
15	00-921058	Gasket – Bull Nose.....	2
16	00-929010	Heat Shield.....	1
17	00-730228	Self-Tapping Screw 10-24 x 1/2.....	4
18	FP-085-42	Fitting 3/8 x 7/16.....	3
19	00-413112-00012	Leg (6 In. Adjustable) (SST).....	6
20	00-924522	Manifold Cover (24 In.).....	1
21	00-929012	Joint Bracket.....	1
22	00-929007	Rear Heat Shield (60 In.).....	1
23	00-922000-0000A	Frame Assy. (6 In.).....	2
24	00-921300-0000A	Top Shelf Assy.....	1
25	00-921005-0000A	Bull Nose Assy.....	1
26	00-428300	Knob 2.75 Dia.....	10
27	00-924510-0000A	Crumb Tray Assy. (24 In.).....	1
28	00-929006	Back Splash – Front.....	1
29	00-921170	Manifold Cover.....	1
30	00-925034	Grate Support.....	1
31	00-921377	Coupler – Left.....	1
32	00-921378	Coupler – Right.....	1
33	00-921379	Nipple.....	1
34	00-921633	Back Flue Channel.....	2
35	00-921632	Flue Cover (24 In.) (Convection).....	2
36	00-719384	BJ Bezzle.....	2
37	00-922012	BJ Thermostat – Knob.....	2
38	00-925060	Tee 3/8.....	1
39	00-719156	Elbow 3/8 x 7/16.....	1
40	00-426508-00030	Flex Tube (7/16 x 30 In.).....	2
41	00-426508-00060	Flex Tube (7/16 x 60 In.).....	1
42	00-924507	Grate Support.....	1
43	00-921408-0000A	Control Assy. (Convection).....	2
44	00-921528	Switch – Rocker.....	2
45	00-921369	Control Panel.....	2
46	00-922045	Cover – Center Spillover.....	1
47	00-922005	Insulation Blanket (6 In.).....	1



RANGE BODY AND PANELS (72 SERIES)

**RANGE BODY AND PANELS (72 SERIES)**

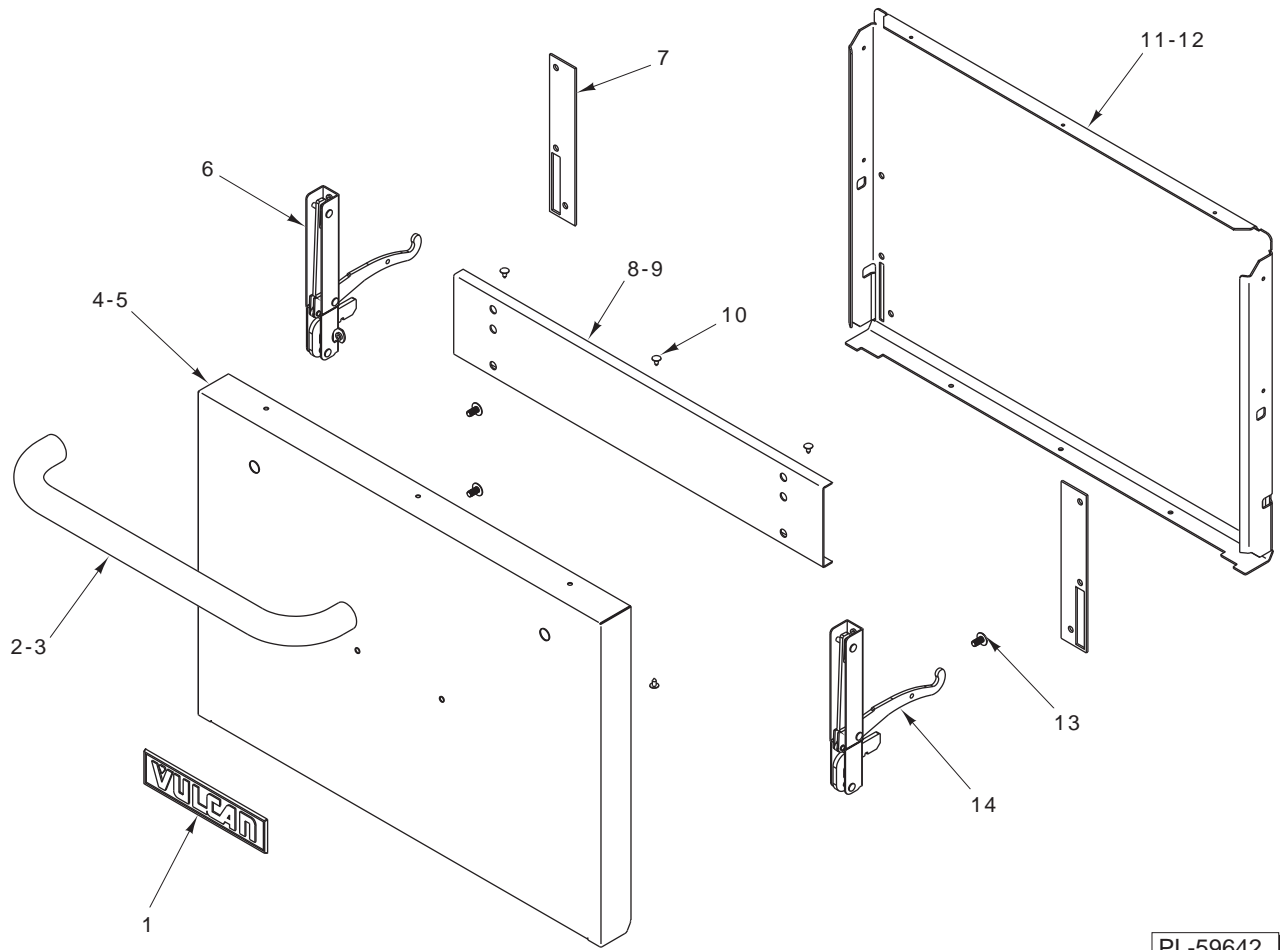
ILLUS.	PART NO.	NAME OF PART	AMT.
PL-59597			
1	00-925000	Grate – Front (Wolf).....	6
2	00-925028	Grate – Front (Vulcan).....	6
3	00-921052	Bayonet – Back Channel (RH).....	2
4	00-921051	Bayonet – Back Channel (LH).....	2
5	00-921284-0000A	Bull Nose Assy. (72 In.).....	1
6	00-921047	Side Panel – Right.....	1
7	00-921048	Side Panel – Left.....	1
8	00-921309-0000A	Kick Panel Assy.....	2
9	00-921312	Control Panel (Standard).....	2
10	00-922012	BJ Thermostat – Knob.....	2
11	00-719384	BJ Bezzle.....	2
12	00-922067-0000A	Door Assy. (30 In.) (Wolf).....	2
13	00-922068-0000A	Door Assy. (30 In.) (Vulcan).....	2
14	00-921034	Manifold Cover.....	2
15	00-413112-00012	Leg (6 In. Adjustable) (SST).....	6
16	00-921152	Back Splash – Front.....	1
17	00-921301-0000A	Top Shelf Assy. (72 In.).....	1
18	00-428300	Knob 2.75 Dia.....	12
19	00-925001	Grate – Rear (Wolf).....	6
20	00-925029	Grate – Rear (Vulcan).....	6
21	00-921105	Rear Flue.....	2
22	00-921083	Back Flue Channel.....	2
23	00-921054	Rear Heat Shield (36 In.).....	2
24	00-921378	Coupler – Right.....	1
25	00-921379	Nipple.....	1
26	00-921377	Coupler – Left.....	1
27	00-921059	Heat Shield.....	2
28	00-921410	Cover – Flue Mid.....	2
29	00-921044-0000A	Crumb Tray Assy. (36 In.).....	2
30	00-921148	Heat Shield.....	2
31	00-925034	Grate Support.....	2
32	00-922006	Cover – Insulation.....	2



PL-59641

**DOOR ASSEMBLY (WOLF RANGES)**

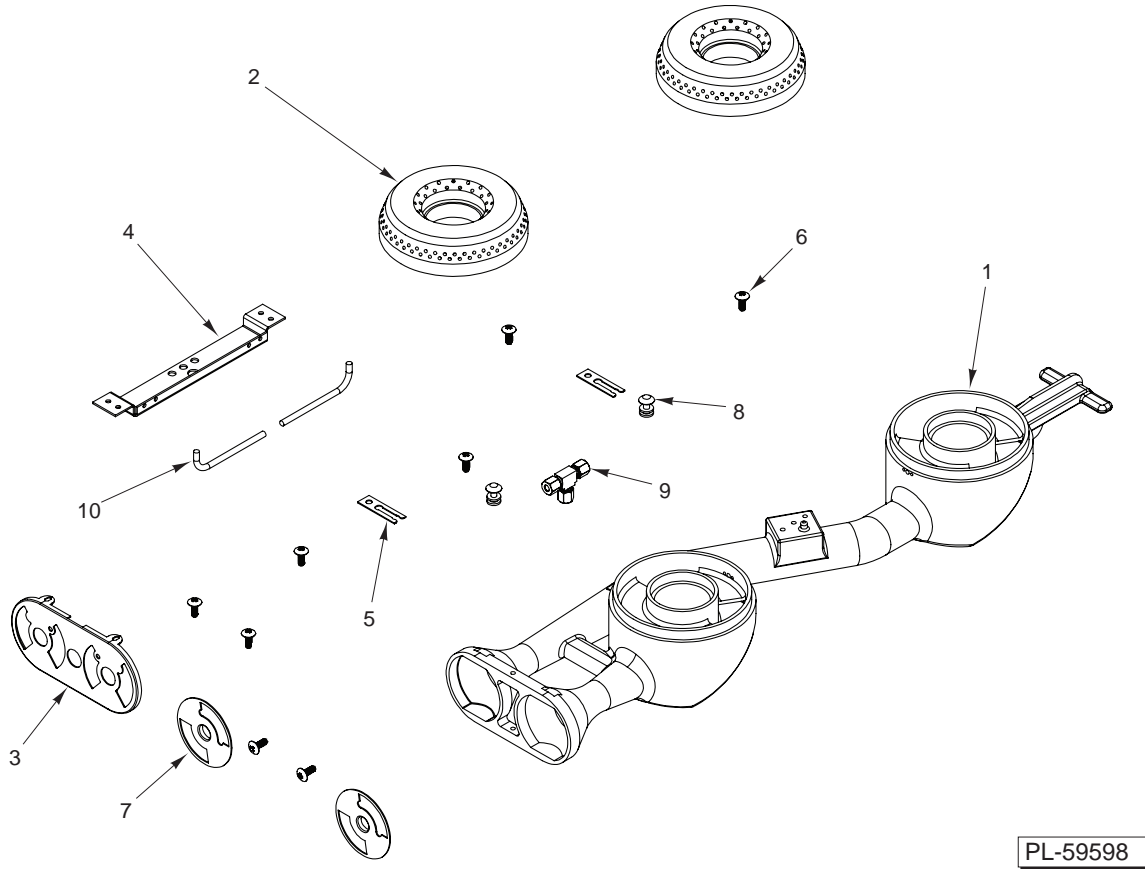
ILLUS.	PART NO.	NAME OF PART	AMT.
	PL-59641		
1	00-722484	Logo – Medium (Wolf).....	1
2	00-719621	Bracket – Aluminum Door Handle (LH).....	1
3	00-921043	Handle – Door.....	1
4	00-719622	Bracket – Aluminum Door Handle (RH).....	1
5	00-923520	Panel – Door (24 In.).....	1
6	00-921089	Panel – Door (30 In.).....	1
7	00-497027-00002	Hinge – Door Spring (LH).....	1
8	00-730240	Mach. Screw #8 x 1/2.....	6
9	00-923522	Reinforcement – Door (24 In.).....	1
10	00-921343	Reinforcement – Door (30 In.).....	1
11	00-922030	Liner – Door (24 In.).....	1
12	00-921022	Liner – Door (30 In.).....	1
13	00-723369	Mach. Screw 1/4-20 x 1/2 Phil. Truss Hd.....	6
14	00-497027-00001	Hinge – Door Spring (RH).....	1
15	00-921033	Insulator – Door Hinge.....	2
	00-922065-0000A	Door Assy. (24 In.) (Incls. Items 1 thru 5, 7, 8, 9, 11, & 13 thru 15).....	2
	00-922067-0000A	Door Assy. (30 In.) (Incls. Items 1 thru 4, 6, 7, 8, 10, & 12 thru 15).....	2



PL-59642

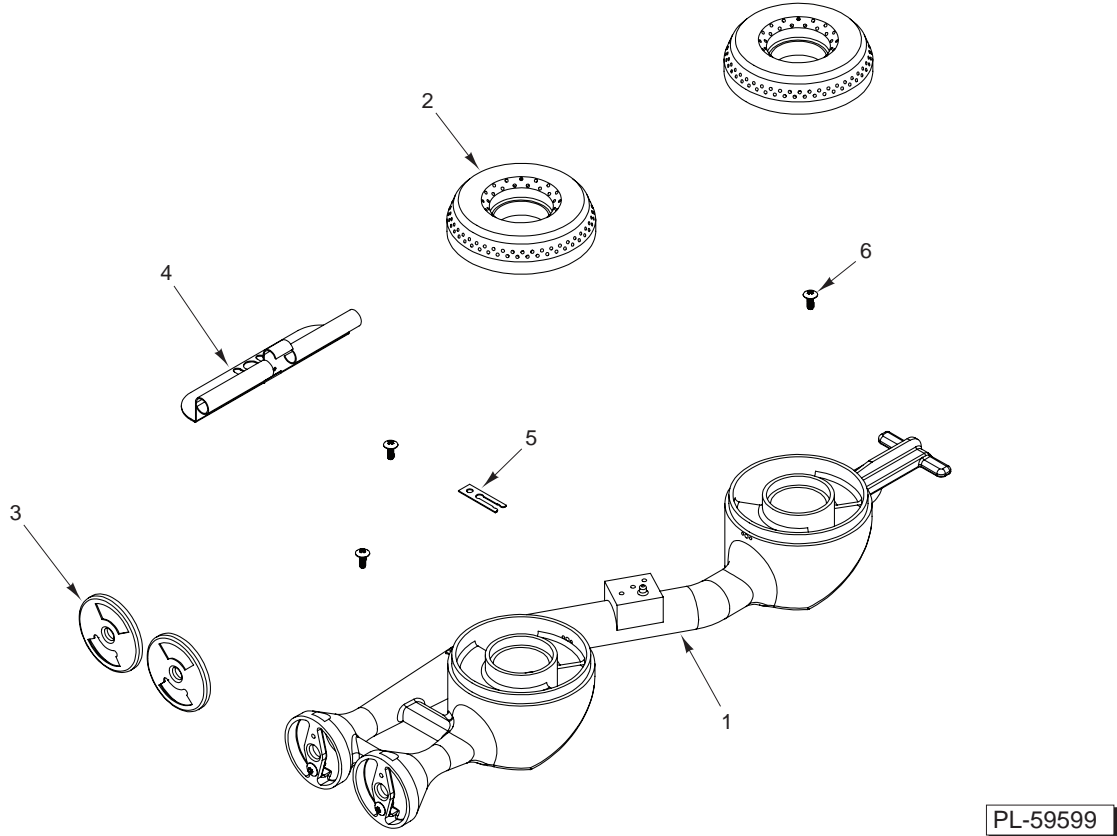
**DOOR ASSEMBLY (VULCAN RANGES)**

ILLUS.	PART NO.	NAME OF PART	AMT.
	PL-59642		
1	00-417700-00001	Nameplate (7 <sup>1</sup> / <sub>4</sub> In.) (Vulcan) .....	1
2	00-921342	Handle – Door (24 In.) .....	1
3	00-428618-00001	Handle – Oven .....	1
4	00-921302	Panel – Door (24 In.) .....	1
5	00-921288	Panel – Door .....	1
6	00-497027-00002	Hinge – Door Spring (LH) .....	1
7	00-921033	Insulator – Door Hinge .....	2
8	00-923522	Reinforcement – Door (24 In.) .....	1
9	00-921343	Reinforcement – Door .....	1
10	00-730240	Mach. Screw #8 x 1/2 .....	6
11	00-922030	Liner – Door (24 In.) .....	1
12	00-921022	Liner – Door (30 In.) .....	1
13	00-723369	Mach. Screw 1/4-20 x 1/2 Phil. Truss Hd. ....	6
14	00-497027-00001	Hinge – Door Spring (RH) .....	1
	00-922066-0000A	Door Assy. (24 In.) (Incls. Items 1, 2, 4, 6, 7, 8, 10, 11, 13, & 14) .....	2
	00-922068-0000A	Door Assy. (30 In.) (Incls. Items 1, 3, 5, 6, 7, 9, 10, 12, 13, & 14) .....	2



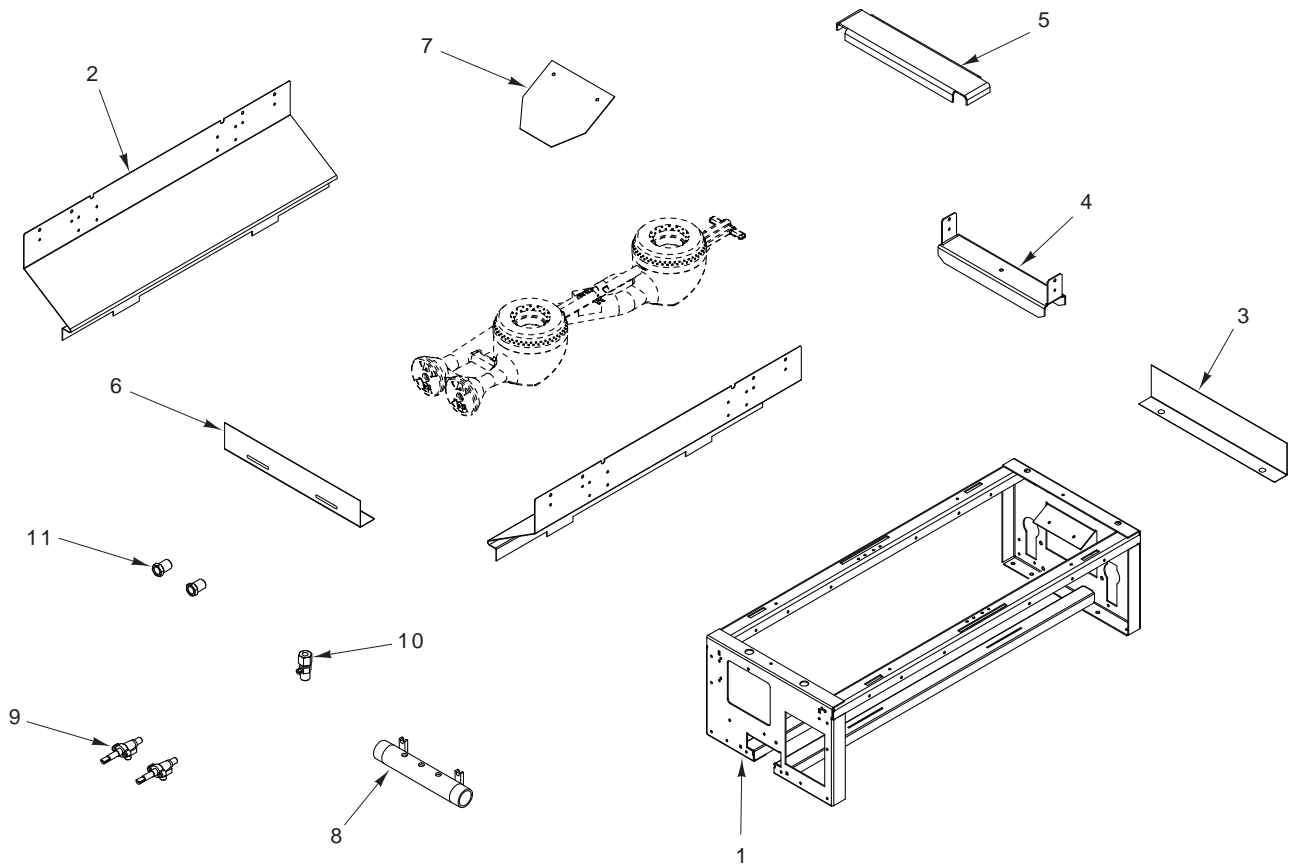
**OPEN TOP BURNER (WITH PILOT)**

ILLUS.	PART NO.	NAME OF PART	AMT.
PL-59598			
1	00-928015	Venturi Burner Assy.....	1
2	00-417608-00002	Burner Head .....	2
3	00-925067	Double Shutters.....	1
4	00-925069	Bracket – Pilot Mounting.....	1
5	00-413302-00001	Clip – Pilot Mounting.....	2
6	-	Self-Tapping Screw 10-24 x 1/4.....	8
7	00-925068	Shutter – Venturi Top .....	2
8	00-719135	Top – Pilot (SST).....	2
9	00-719174	Tee 3/16 (Brass).....	1
10	00-921407	Tubing .....	2



**OPEN TOP BURNER (WITH FLASH TUBE)**

ILLUS.	PART NO.	NAME OF PART	AMT.
PL-59599			
1	00-714215-00002	Open Top Burner.....	1
2	00-417608-00001	Burner Head .....	2
3	00-719329	Shutters .....	2
4	00-787275-00001	Flash Tube .....	1
5	00-413302-00001	Clip – Pilot Mounting.....	1
6	-	Self-Tapping Screw 10-24 x 1/4.....	3

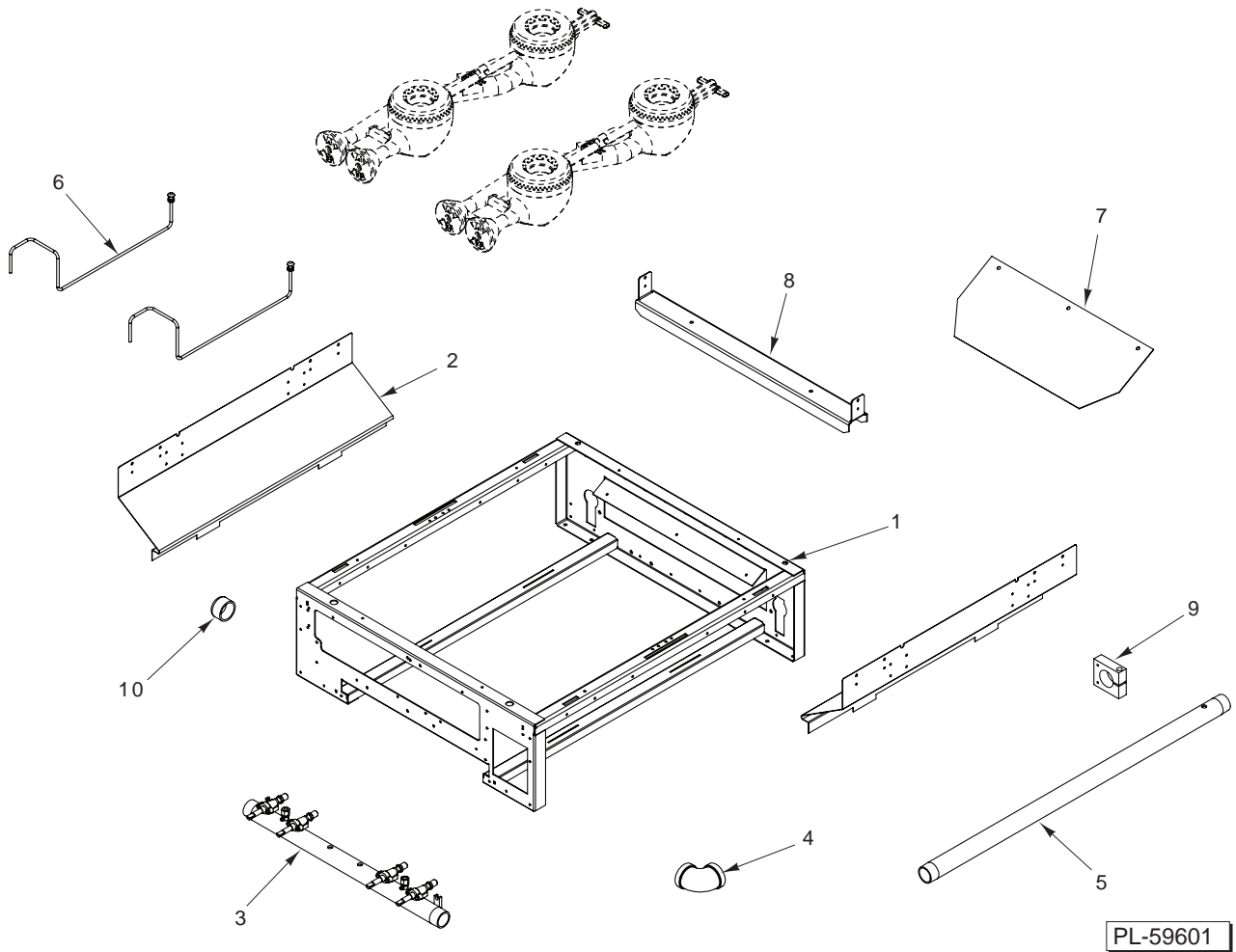


PL-59600

**OPEN TOP BURNER MODULE (12 INCH ASSEMBLY)**

ILLUS.	PART NO.	NAME OF PART	AMT.
1	00-924002-0000A	Weldment – Frame Assy. (12 In.).....	1
2	00-925015	Drip Pan Guide .....	2
3	00-921141	Rear Heat Shield (12 In.).....	1
4	00-924006	Burner Support .....	1
5	00-924007	Grate Support .....	1
6	00-921160	Front Heat Shield (12 In.) .....	1
7	00-924022	Deflector – OTB Module (12 In.).....	1
8	00-924005-0000A	Manifold Weldment (12 In.).....	1
9	AB-A18-318	Burner Control Valve.....	2
10	00-719179	Valve – Single Pilot.....	1
*11	-	Valve Hood.....	2

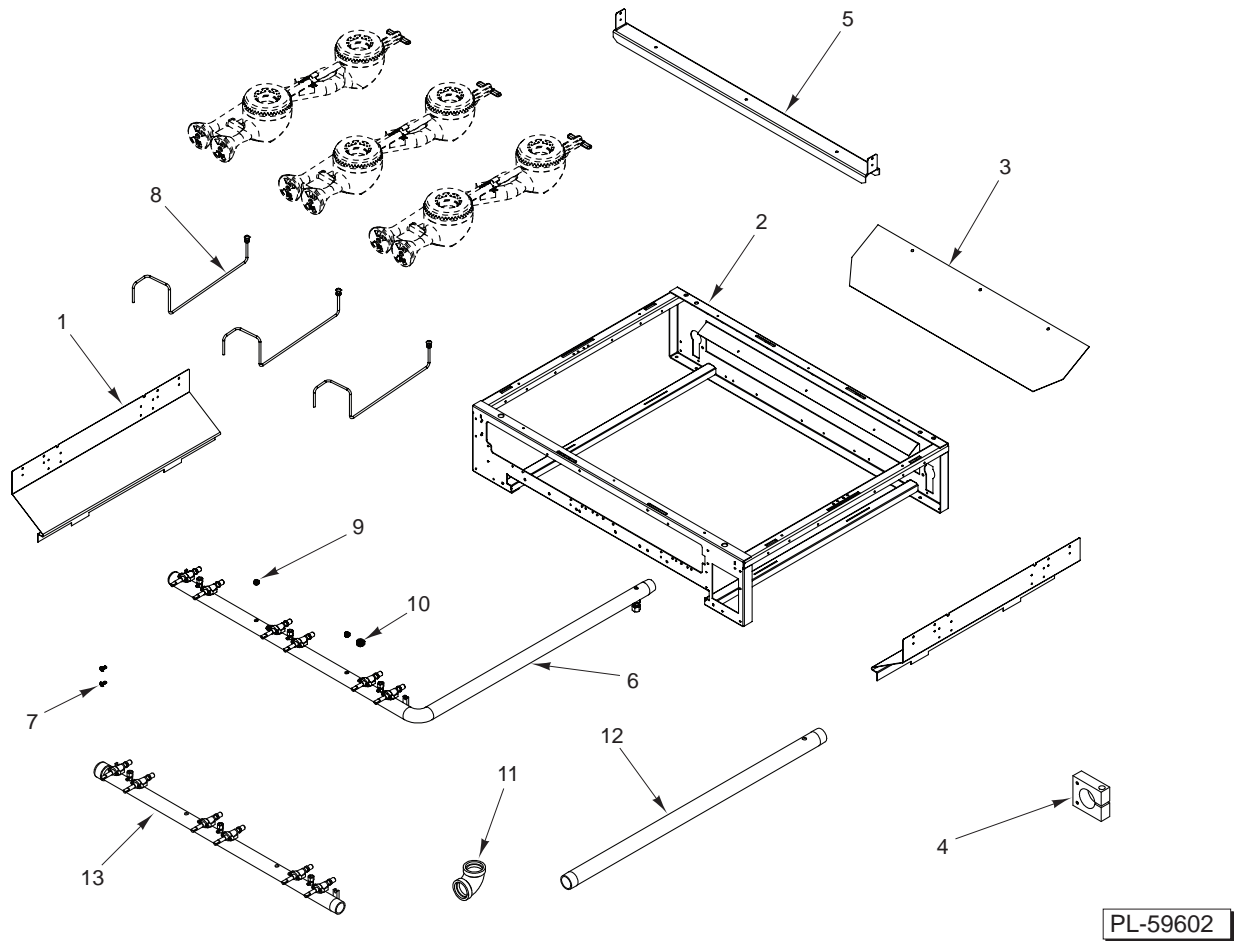
\* See Orifice Chart on page 3.



PL-59601

**OPEN TOP BURNER MODULE (24 INCH ASSEMBLY)**

ILLUS. PL-59601	PART NO.	NAME OF PART	AMT.
1	00-924502-0000A	Weldment – Frame Assy. (24 In.).....	1
2	00-925015	Drip Pan Guide .....	2
3	00-924504-0000A	Manifold Assy. (24 In.).....	1
4	00-925053	Elbow (1 In.).....	1
5	00-929004	Inlet Pipe (1 In.) .....	1
6	00-921107-0000A	Pilot Pipe Assy. ....	2
7	00-924515	Deflector – Rear.....	1
8	00-924516	Burner Support .....	1
9	00-921009	Saddle Clamp .....	1
10	00-929016	Cap .....	1

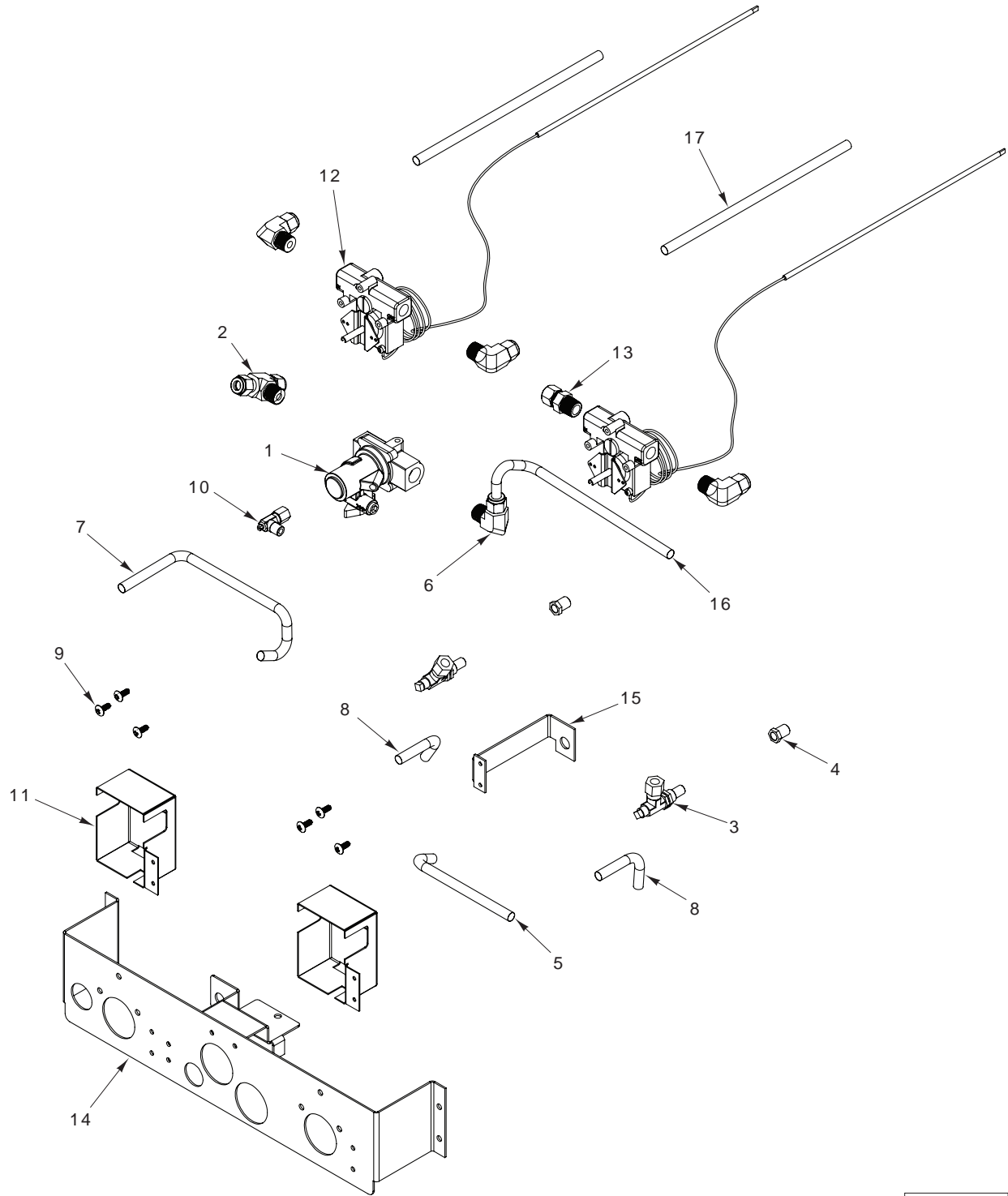


**OPEN TOP BURNER MODULE (36 INCH ASSEMBLY)**

ILLUS.	PART NO.	NAME OF PART	AMT.
1	00-925015	Drip Pan Guide .....	2
2	00-925003-0000A	Top Frame Assy. (36 In.) .....	1
3	00-925014	Deflector – Rear.....	1
4	00-921009	Saddle Clamp (Alternate Assy.) .....	1
5	00-925035	Burner Support .....	1
*6	-	Manifold Assy.....	1
7	00-730228	Self-Tapping Screw 10-24 x 1/2.....	21
8	00-922124	Pilot Pipe Assy. ....	3
9	00-719363	Plug 1/8 Countersink .....	2
10	00-719371	Plug 1/4 Steel Hex Hd. ....	2
11	00-925053	Elbow (1 In.) (Alternate Assy.).....	1
12	00-929004	Inlet Pipe (Alternate Assy.).....	1
13	00-929003-0000A	Manifold Assembly (36 In.) (Alternate Assy.) .....	1

\* See Oven Burner Assembly for servicable parts. Manifold Assembly 00-925011-0000A is not available, components available for purchase.





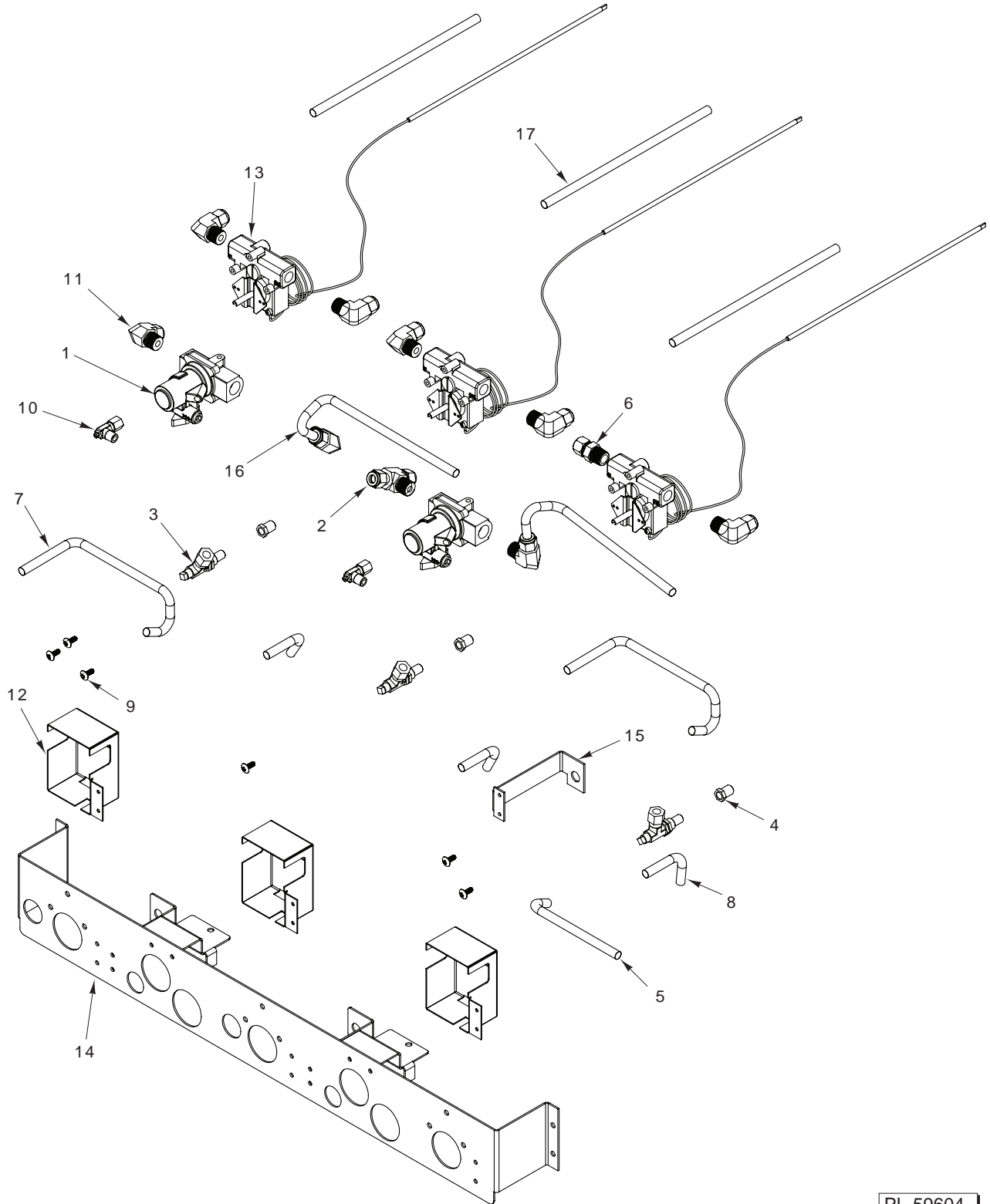
PL-59603

**THERMOSTAT GRIDDLE CONTROL ASSEMBLY (24 INCH UNITS)**

**THERMOSTAT GRIDDLE CONTROL ASSEMBLY (24 INCH UNITS)**

ILLUS. PL-59603	PART NO.	NAME OF PART	AMT.
1	00-498025	Valve – BASO H15AB-6.....	1
2	00-498028	Tee <sup>3</sup> / <sub>8</sub> Male Compression.....	1
3	00-719383	Elbow <sup>3</sup> / <sub>8</sub> Orifice .....	2
*4	-	Valve – Hood.....	2
5	00-928038	Flex Tubing ( <sup>3</sup> / <sub>8</sub> GS-BASO) .....	1
6	00-719376	Elbow <sup>3</sup> / <sub>8</sub> x <sup>3</sup> / <sub>8</sub> .....	4
7	00-722221	Flex Tubing ( <sup>3</sup> / <sub>8</sub> x 12 In.).....	1
8	00-928037	Flex Tubing ( <sup>3</sup> / <sub>8</sub> GS-Nozzle) .....	2
9	00-730228	Self-Tapping Screw 10-24 x <sup>1</sup> / <sub>2</sub> .....	6
10	00-404193-00001	Valve <sup>1</sup> / <sub>8</sub> x <sup>1</sup> / <sub>4</sub> x 90 Deg. ....	1
11	00-921167	GS Cover .....	2
12	00-498096-00550	Valve 550F T-Stat Combo.....	2
13	00-719377	Connector – Straight <sup>3</sup> / <sub>8</sub> x <sup>3</sup> / <sub>8</sub> (Brass).....	1
14	00-921168-0000A	Weldment – Control Panel TRD24.....	1
15	00-921071	Bracket – Right Orifice.....	1
16	00-722221	Flex Tubing ( <sup>3</sup> / <sub>8</sub> x 12 In.).....	1
17	00-719566	Sleeving – Silicon .....	2

\* See orifice chart on page 3.



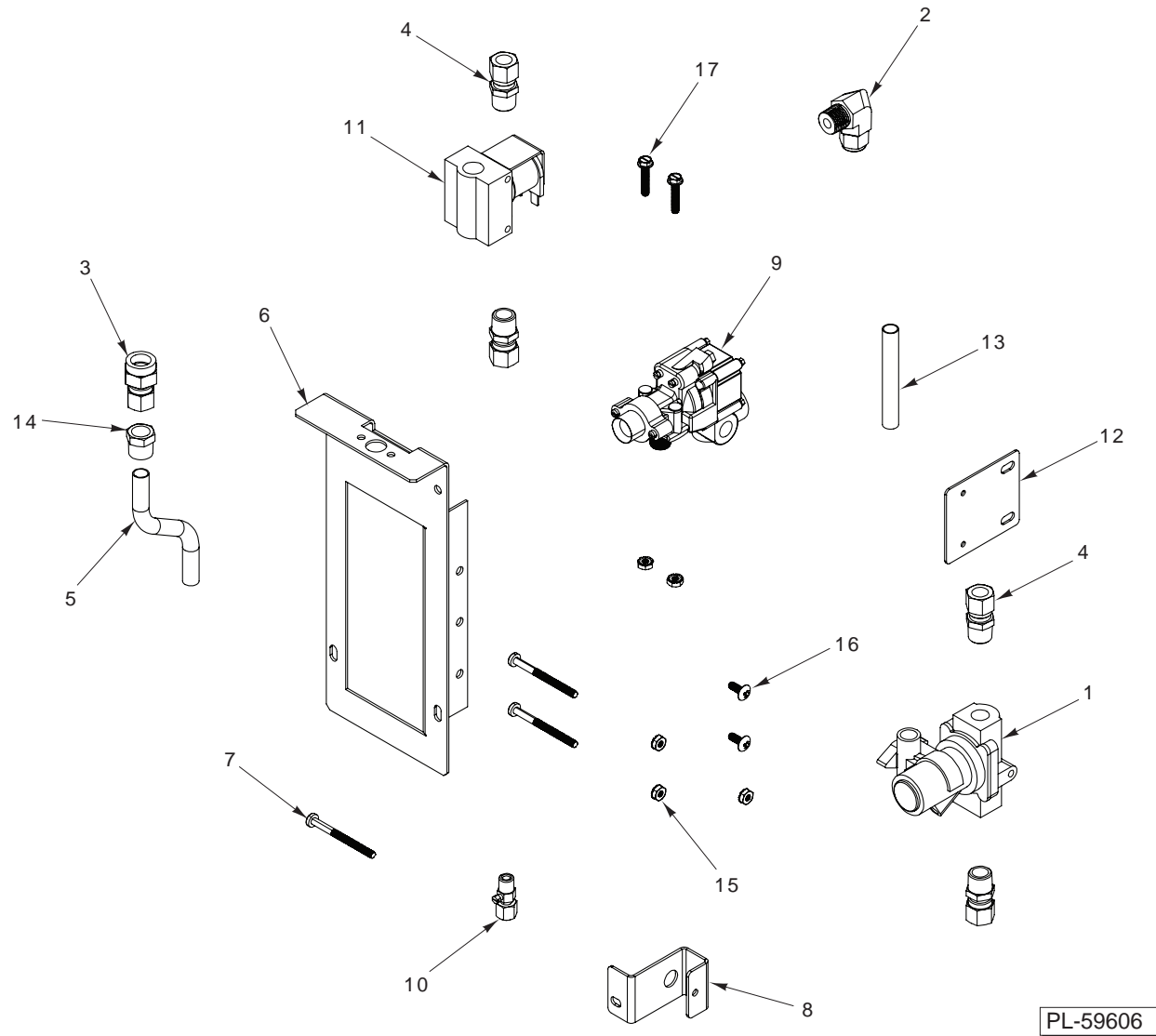
PL-59604

**THERMOSTAT GRIDDLE CONTROL ASSEMBLY (36 INCH UNITS)**

**THERMOSTAT GRIDDLE CONTROL ASSEMBLY (36 INCH UNITS)**

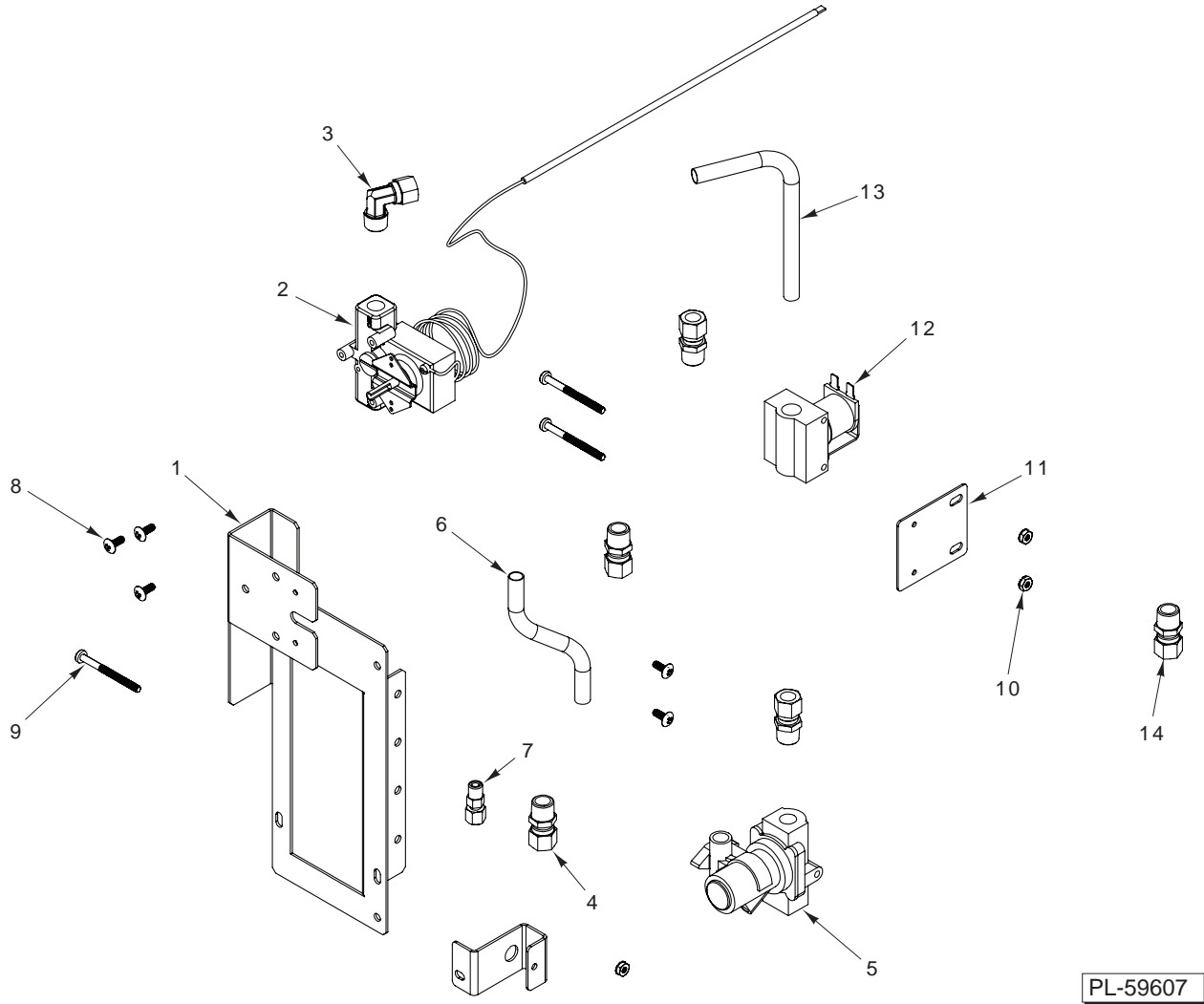
ILLUS.	PART NO.	NAME OF PART	AMT.
PL-59604			
1	00-498025	Valve – BASO H15AB-6.....	2
2	00-498028	Tee <sup>3</sup> / <sub>8</sub> Male Compression.....	1
3	00-719383	Elbow <sup>3</sup> / <sub>8</sub> Orifice .....	3
*4	-	Orifice .....	3
5	00-928038	Flex Tubing ( <sup>3</sup> / <sub>8</sub> GS-BASO).....	1
6	00-719377	Connector – Straight <sup>3</sup> / <sub>8</sub> x <sup>3</sup> / <sub>8</sub> (Brass).....	1
7	00-722221	Flex Tubing ( <sup>3</sup> / <sub>8</sub> X 12 In.).....	2
8	00-928037	Flex Tubing ( <sup>3</sup> / <sub>8</sub> GS-Nozzle).....	3
9	00-730228	Self-Tapping Screw 10-24 x <sup>1</sup> / <sub>2</sub> .....	6
10	00-404193-00001	Valve <sup>1</sup> / <sub>8</sub> x <sup>1</sup> / <sub>4</sub> x 90 Deg. ....	2
11	00-719376	Elbow <sup>3</sup> / <sub>8</sub> x <sup>3</sup> / <sub>8</sub> .....	8
12	00-921167	GS Cover.....	3
13	00-498096-00550	Valve (550F) T-Stat Combo .....	3
14	00-921169-0000A	Weldment – Control Panel TRD36.....	1
15	00-921071	Bracket – Right Orifice.....	1
16	00-722221	Flex Tubing ( <sup>3</sup> / <sub>8</sub> X 12 In.).....	2
17	00-719566	Sleeving – Silicon .....	3

\* See Orifice Chart on page 3.



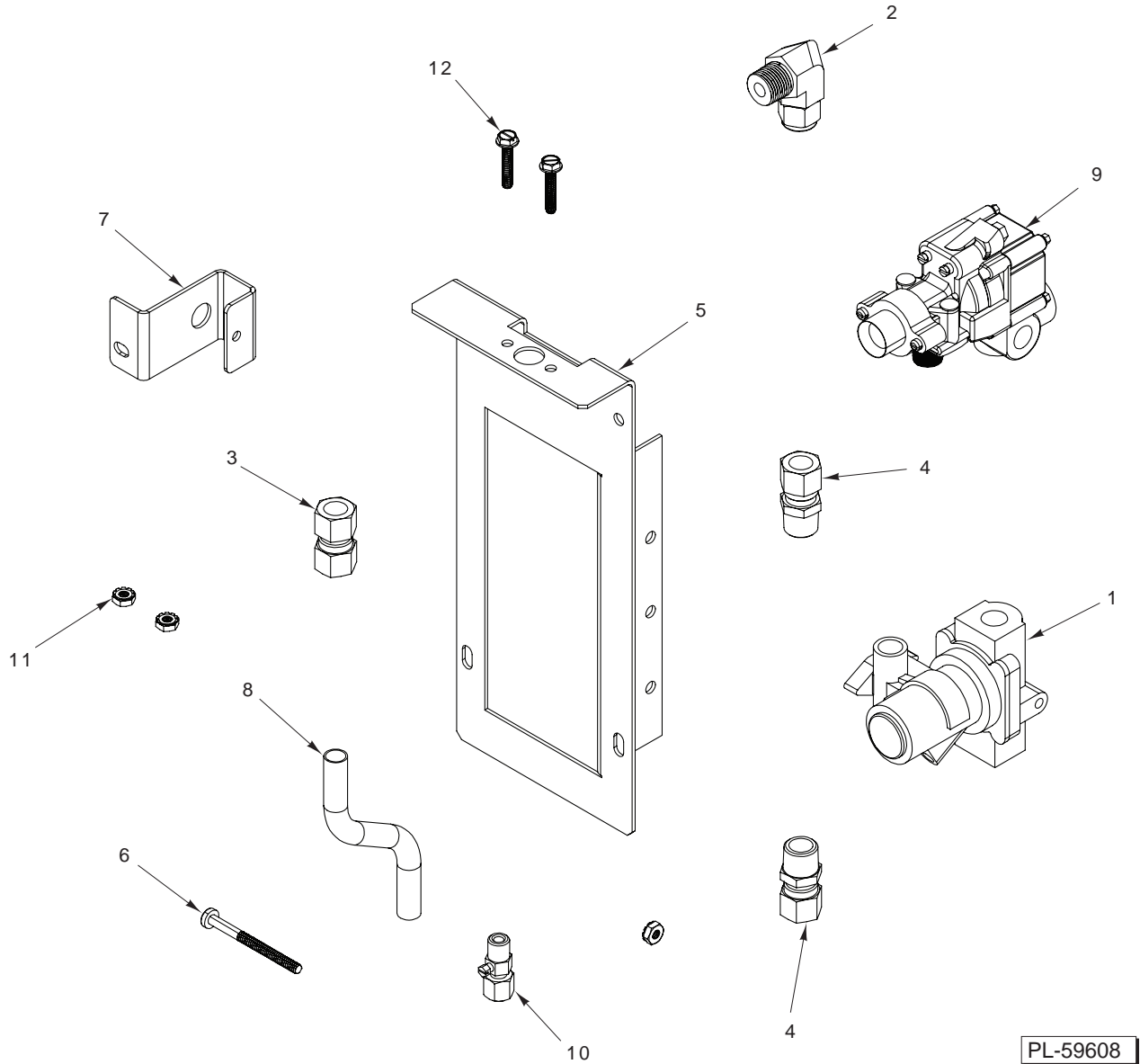
**CONVECTION OVEN CONTROL BRACKET (BEFORE 3/11/2010)**

ILLUS.	PART NO.	NAME OF PART	AMT.
1	00-922008	BASO H15AB-7 .....	1
2	00-922015	Elbow .....	1
3	FP-086-07	Fitting – Straight $\frac{3}{8} \times \frac{7}{16}$ .....	1
4	FP-085-42	Fitting $\frac{3}{8} \times \frac{7}{16}$ .....	4
5	00-922007	Tubing – T-Stat Safety .....	1
6	00-922010	Bracket – Controller .....	1
7	00-730054	Screw 10-24 x 2 $\frac{1}{4}$ .....	3
8	00-922014	Bracket – BASO Support .....	1
9	00-922020	BJ Thermostat.....	1
10	00-719179	Valve – Single Pilot .....	1
11	00-770085-00002	Solenoid.....	1
12	00-922027	Mounting Plate – Solenoid.....	1
13	00-921544	Tubing – T-Stat to Solenoid .....	1
14	00-921540	Reducer $\frac{3}{8} \times \frac{1}{4}$ .....	1
15	00-730534	Nut 10-24 Hex KEPS .....	5
16	00-730228	Self-Tapping Screw 10-24 x $\frac{1}{2}$ .....	2
17	00-922019	Screw 10-24 X 1 .....	2



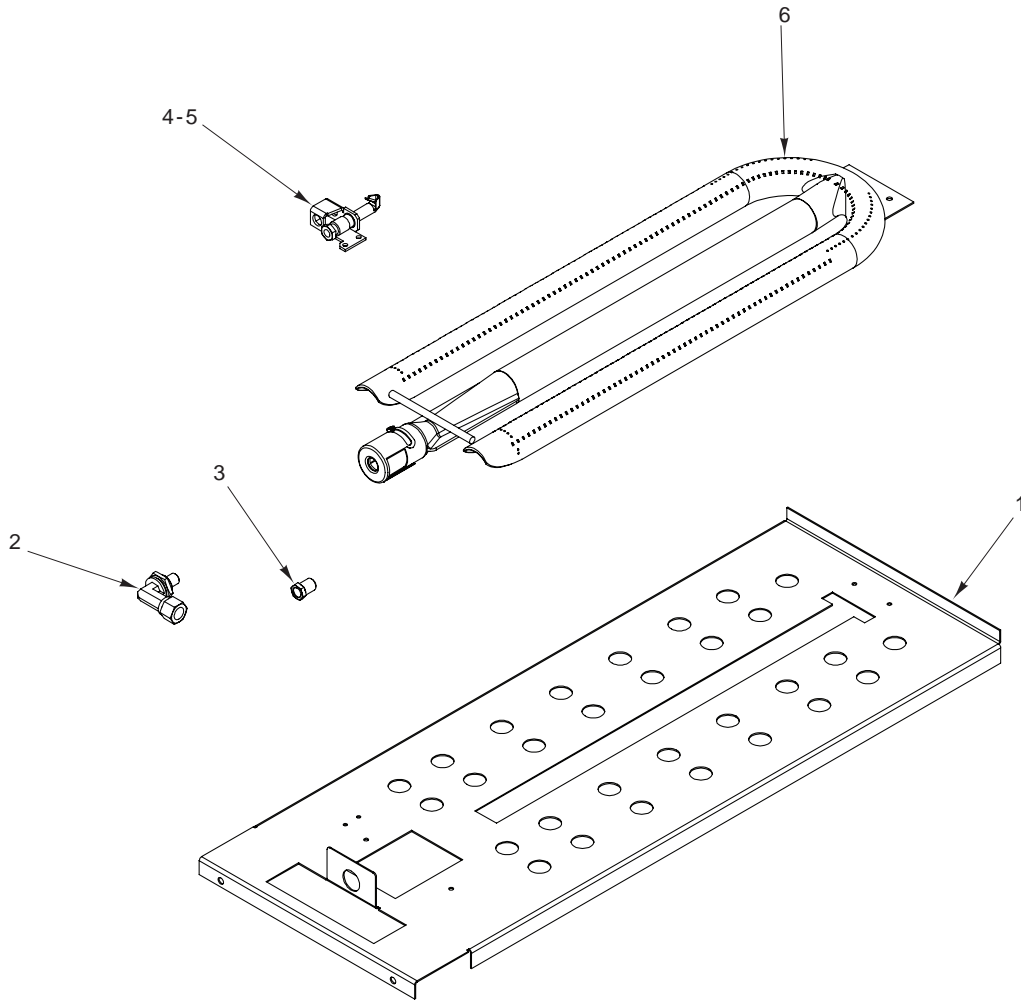
**CONVECTION OVEN CONTROL BRACKET (ON OR AFTER 3/11/2010)**

ILLUS.	PART NO.	NAME OF PART	AMT.
1	00-921638	Bracket – Controller .....	1
2	00-498096-00550	Valve (550F) T-Stat Combo .....	1
3	FP-085-68	Elbow <sup>3</sup> / <sub>8</sub> X <sup>7</sup> / <sub>16</sub> .....	1
4	00-922014	Bracket – BASO Support .....	1
5	00-922008	BASO H15AB-7 .....	1
6	00-922007	Tubing – T-Stat Safety .....	1
7	00-719179	Valve – Single Pilot .....	1
8	00-730228	Self-Tapping Screw 10-24 x <sup>1</sup> / <sub>2</sub> .....	5
9	00-730054	Screw 10-24 x 2 <sup>1</sup> / <sub>4</sub> .....	3
10	00-730534	Nut 10-24 Hex KEPS .....	3
11	00-922027	Mounting Plate – Solenoid.....	1
12	00-770085-00002	Solenoid.....	1
13	00-426508-00008	Flex Tube ( <sup>7</sup> / <sub>16</sub> X 8 In.) .....	1
14	FP-085-42	Fitting <sup>3</sup> / <sub>8</sub> X <sup>7</sup> / <sub>16</sub> .....	5



**STANDARD OVEN CONTROL BRACKET**

ILLUS. PL-59608	PART NO.	NAME OF PART	AMT.
1	00-922008	BASO H15AB-7 .....	1
2	00-922015	Elbow .....	1
3	00-922017	Fitting <sup>1</sup> / <sub>8</sub> x <sup>7</sup> / <sub>16</sub> .....	1
4	FP-085-42	Fitting <sup>3</sup> / <sub>8</sub> x <sup>7</sup> / <sub>16</sub> .....	2
5	00-922010	Bracket – Controller .....	1
6	00-730054	Screw 10-24 x 2 <sup>1</sup> / <sub>4</sub> .....	1
7	00-922014	Bracket – BASO Support.....	1
8	00-426508-00006	Flex Tubing (6 In.).....	1
9	00-922020	BJ Thermostat.....	1
10	00-719179	Valve – Single Pilot.....	1
11	00-730534	Nut 10-24 Hex KEPS.....	3
12	00-922019	Screw 10-24 X 1 .....	2

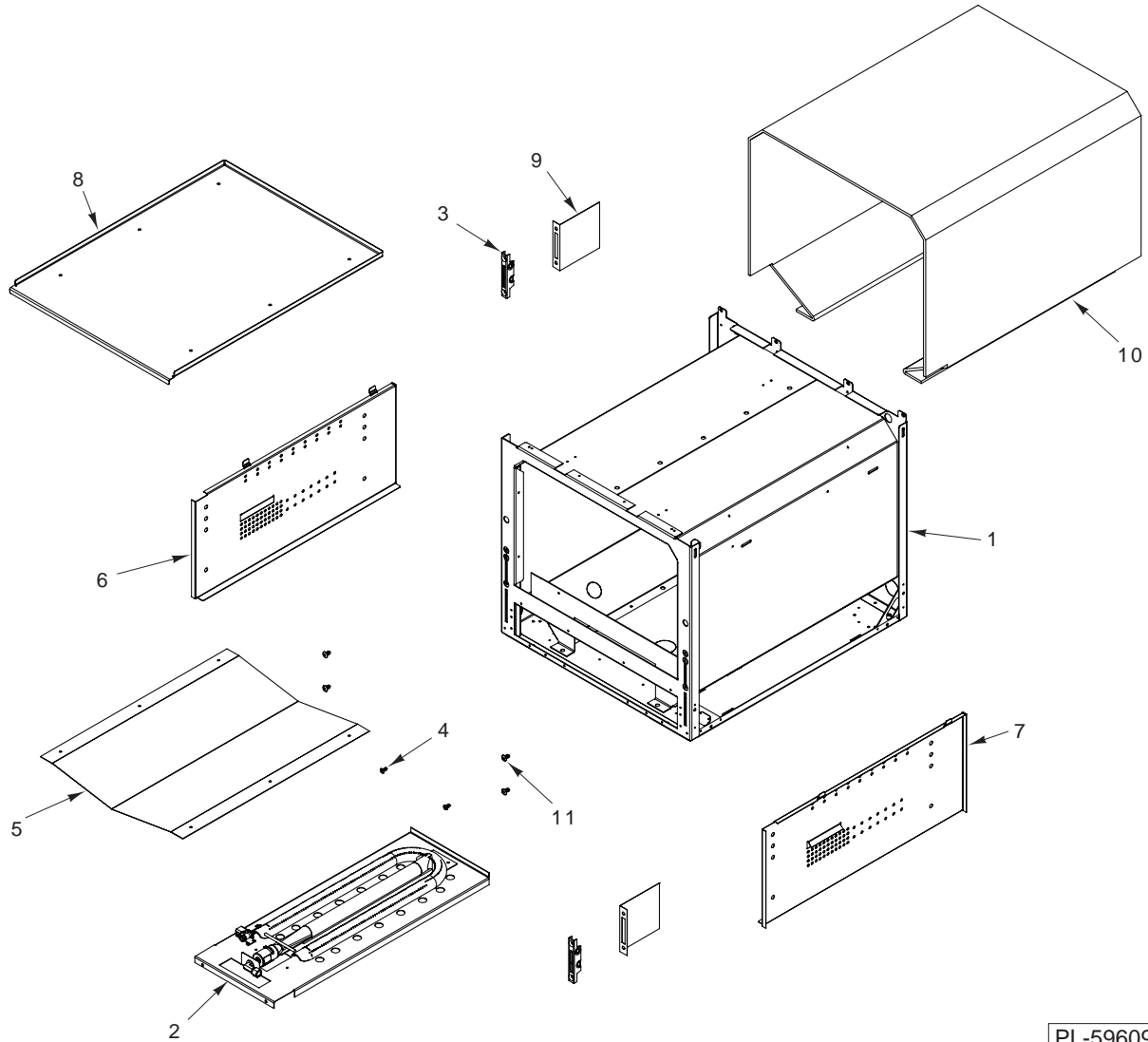


PL-59613

### OVEN BURNER ASSEMBLY

ILLUS. PL-59613	PART NO.	NAME OF PART	AMT.
1	00-921023	Carrier – Burner .....	1
2	00-404079-F	Elbow <sup>7</sup> / <sub>16</sub> Orifice .....	1
*3	-	Valve Hood.....	1
4	00-426262-1	Oven Pilot Assy. (NAT).....	1
5	00-426262-2	Oven Pilot Assy. (PRO).....	1
6	00-921091-A	Burner – Oven Module.....	1

\* See Orifice Chart on page 3.



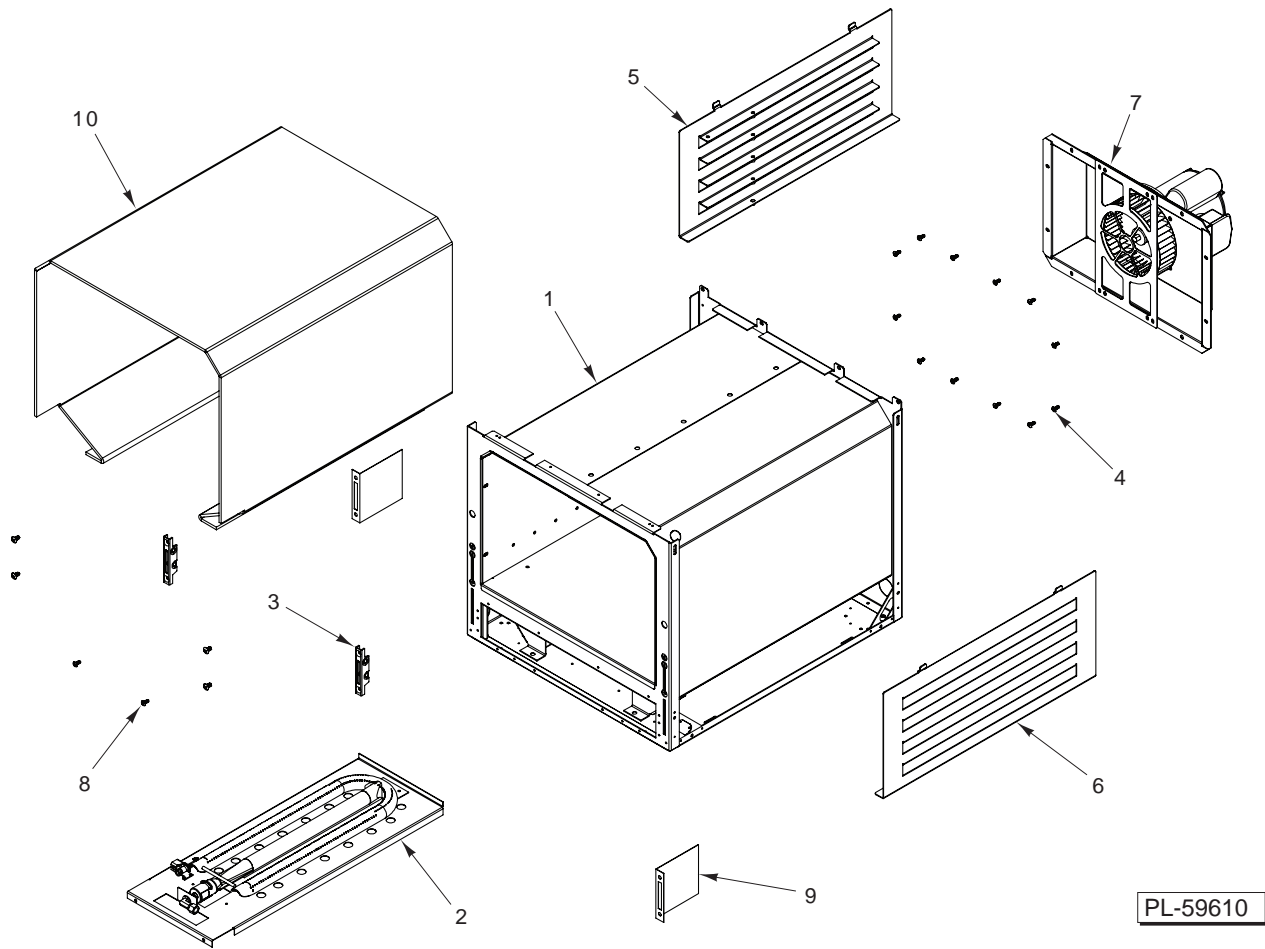
PL-59609

**CONVECTION OVEN MODULE (24 SERIES)**

**STANDARD OVEN MODULE (24 SERIES)**

ILLUS.	PART NO.	NAME OF PART	AMT.
PL-59609			
1	00-923500-0000A	Frame Assy. (24 In.).....	1
*2	00-921021-0000A	Oven Burner Assy. ....	1
3	00-497029-00001	Door Hinge Stop .....	2
4	00-730228	Self-Tapping Screw 10-24 x 1/2.....	2
5	00-923516	Flame Deflector .....	1
6	00-921073	Side Panel – Left .....	1
7	00-921078	Side Panel – Right.....	1
8	00-923515	Cavity Bottom (24 In.).....	1
9	00-921095	Insulation – Door Hinge .....	2
10	00-923527	Insulation Blanket (24 In.) .....	1
11	00-723369	Screw 1/4-20 x 1/2 .....	4

\* See Oven Burner Assembly for servicable parts.

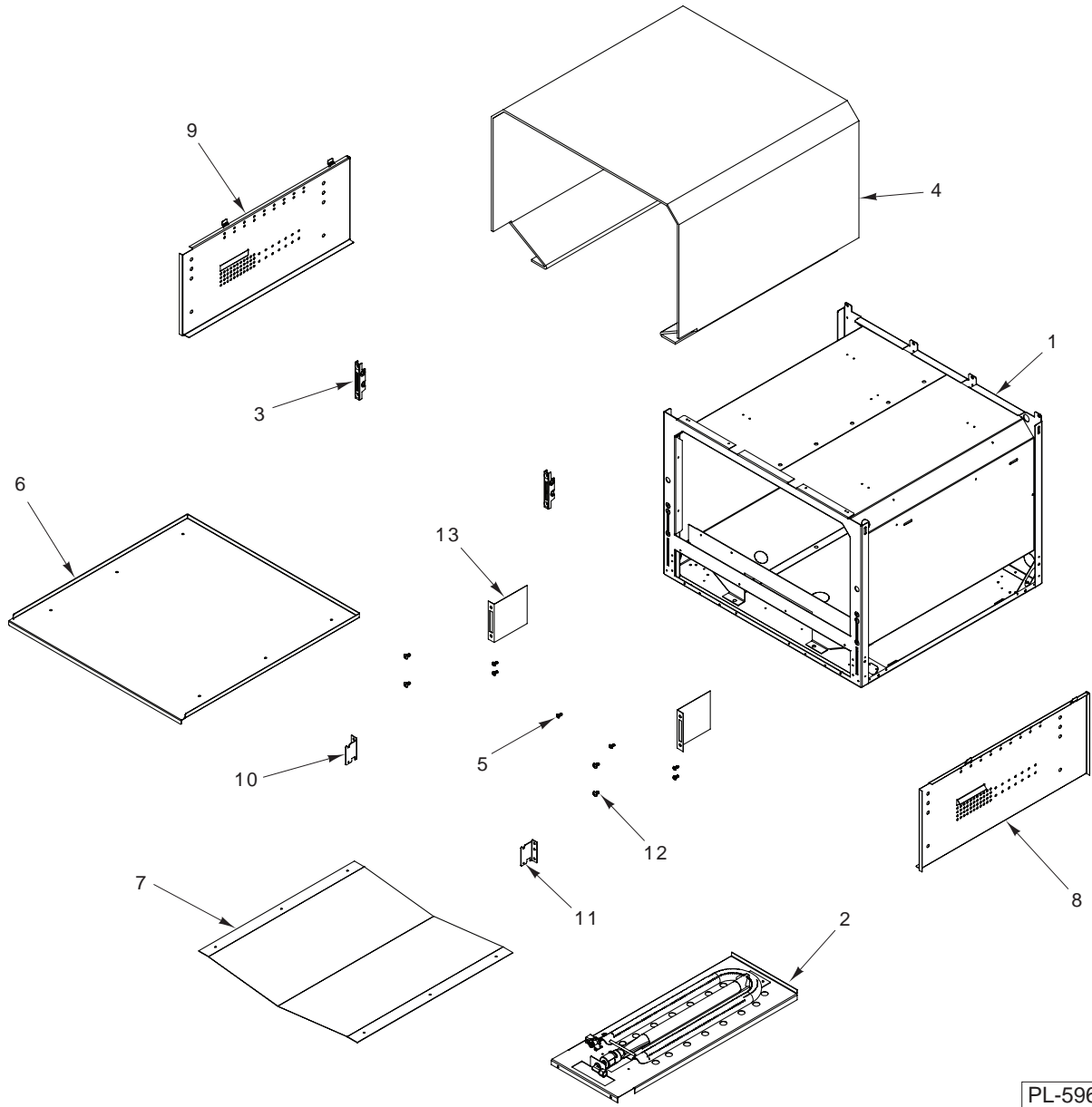


**CONVECTION OVEN MODULE (24 SERIES)**

**CONVECTION OVEN MODULE (24 SERIES)**

ILLUS.	PART NO.	NAME OF PART	AMT.
PL-59610			
1	00-921676-0000A	Convection Oven Cavity Assy. (24 In.).....	1
*2	00-921021-0000A	Oven Burner Assy. ....	1
3	00-497029-00001	Door Hinge Stop .....	2
4	00-730228	Self-Tapping Screw 10-24 x 1/2.....	14
5	00-921547-0000A	Rack Guide Assy. – Left.....	1
6	00-921546-0000A	Rack Guide Assy. – Right .....	1
**7	00-921500-0A-24	Motor Assy. (24 In. Convection Oven) .....	1
8	00-723369	Screw 1/4-20 x 1/2 .....	4
9	00-921095	Insulation – Door Hinge .....	2
10	00-923527	Insulation Blanket (24 In.) .....	1

\* See Oven Burner Assembly for servicable parts.  
 \*\* See Convection Motor Assembly for servicable parts.

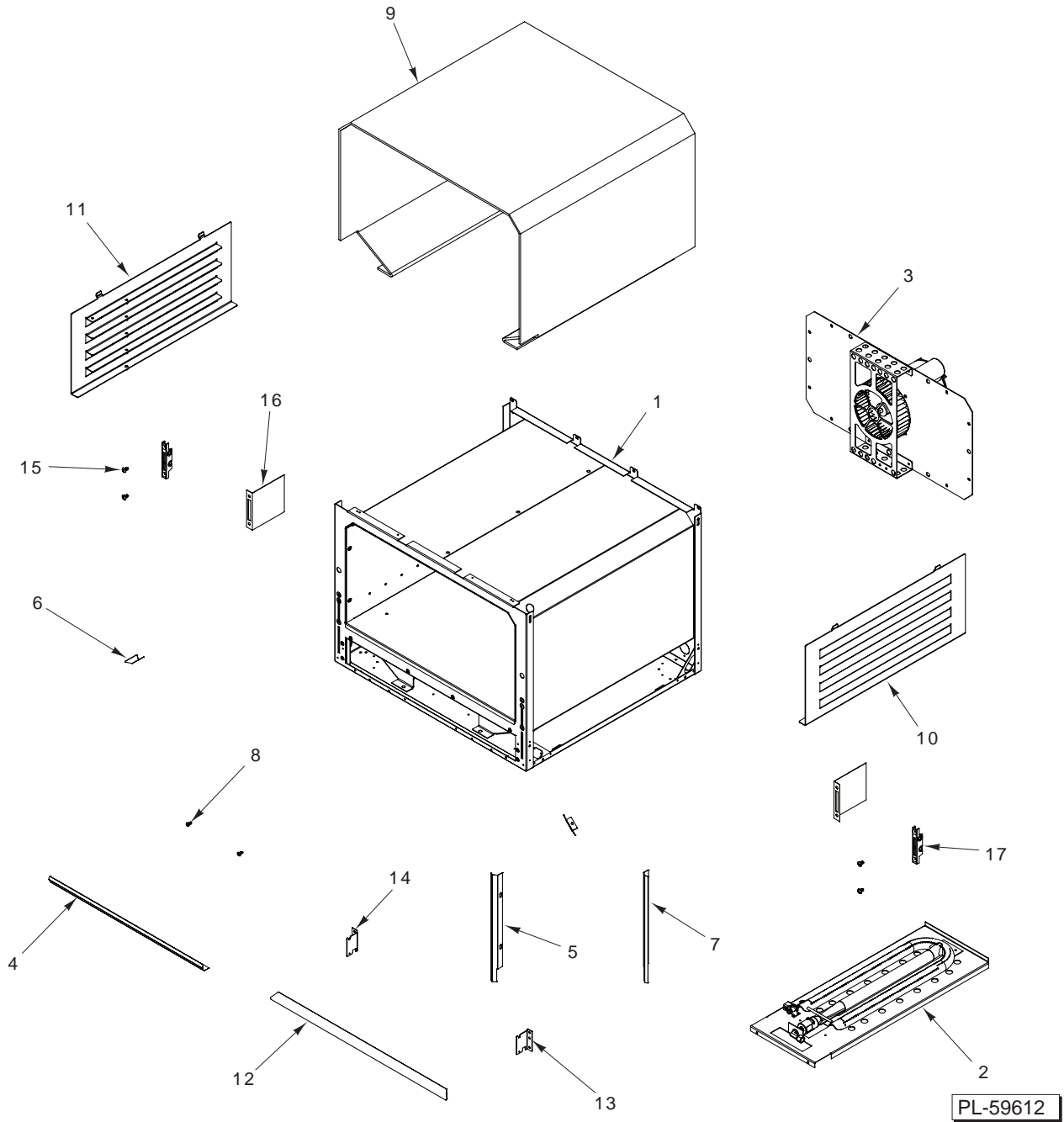


**STANDARD OVEN MODULE (36 SERIES)**

**STANDARD OVEN MODULE (36 SERIES)**

ILLUS.	PART NO.	NAME OF PART	AMT.
PL-59611			
1	00-921070-0000A	Oven Module (30 In.).....	1
*2	00-921021-0000A	Oven Burner Assembly.....	1
3	00-497029-00001	Door Hinge Stop.....	2
4	00-921035	Insulation Blanket.....	1
5	00-730228	Self-Tapping Screw 10-24 x 1/2.....	6
6	00-921015	Cavity Bottom (30 In. Oven).....	1
7	00-921080	Flame Deflector.....	1
8	00-921325	Side Panel – Right.....	1
9	00-921326	Side Panel – Left.....	1
10	00-921203	Hinge – Kick Panel (LH).....	1
11	00-921204	Hinge – Kick Panel (RH).....	1
12	00-723369	Screw 1/4-20 x 1/2.....	4
13	00-921095	Insulation – Door Hinge.....	2

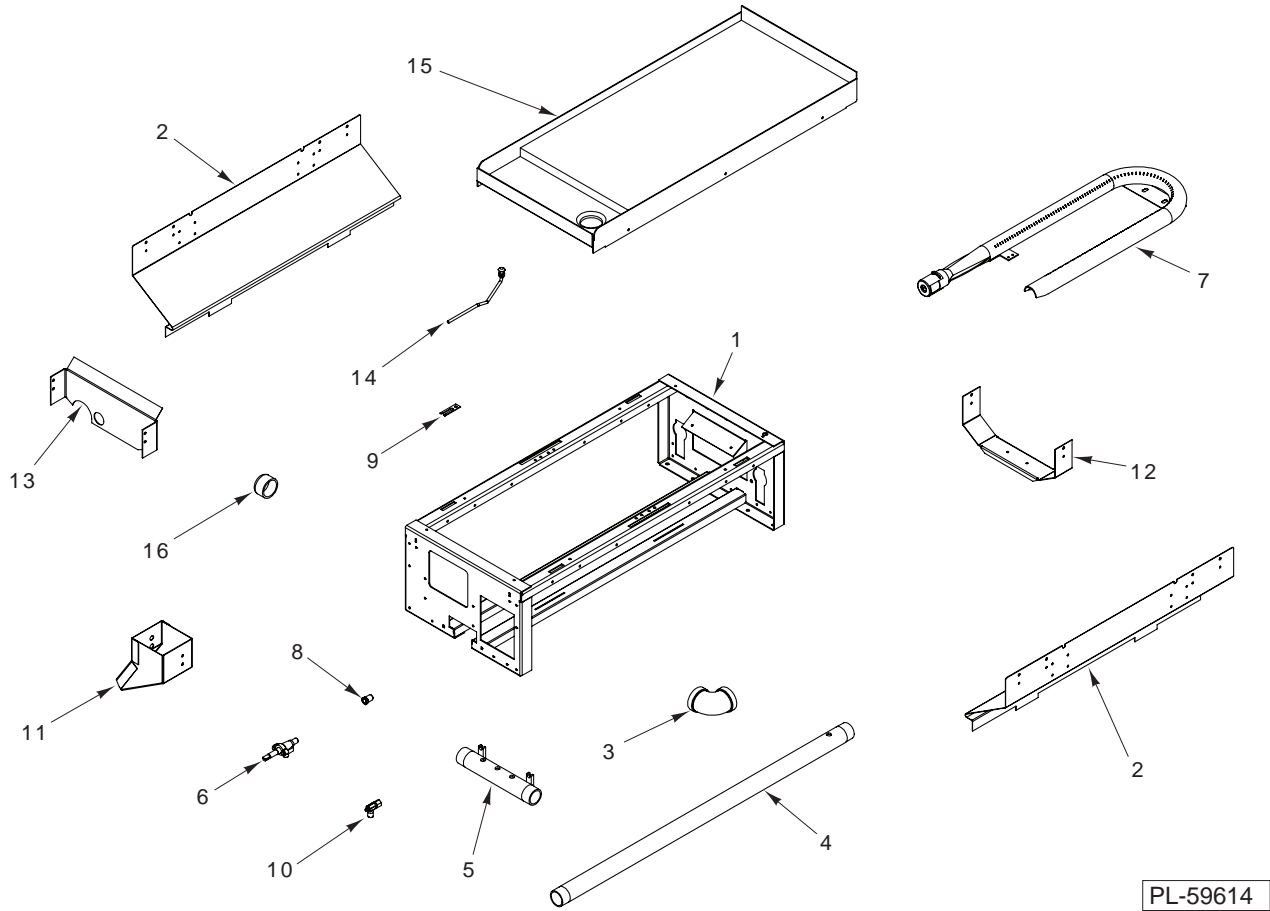
\* See Oven Burner Assembly for servicable parts.



**CONVECTION OVEN MODULE (36 SERIES) (ON OR AFTER 3/10/2010)**

**CONVECTION OVEN MODULE (36 SERIES) (ON OR AFTER 3/10/2010)**

ILLUS.	PART NO.	NAME OF PART	AMT.
PL-59612			
1	00-921469-0000A	Bottom Assy. (30 In. Convection).....	1
2	00-921021-0000A	Oven Burner Assembly .....	1
3	00-921695-0000A	Motor Assy. (FB) .....	1
4	00-921512	Seal – Top .....	1
5	00-921513	Side Seal – Left .....	1
6	00-921514	Seal – Corner.....	2
7	00-921536	Side Seal – Right .....	1
8	00-730228	Self-Tapping Screw 10-24 x 1/2.....	34
9	00-921035	Insulation Blanket .....	1
10	00-921546-0000A	Rack Guide Assy. – Right .....	1
11	00-921547-0000A	Rack Guide Assy. – Left.....	1
12	00-921537	Seal – Bottom .....	1
13	00-921204	Hinge – Kick Panel (RH).....	1
14	00-921203	Hinge – Kick Panel (LH) .....	1
15	00-723369	Screw 1/4-20 x 1/2 .....	4
16	00-921095	Insulation – Door Hinge .....	2
17	00-497029-00001	Door Hinge Stop .....	2



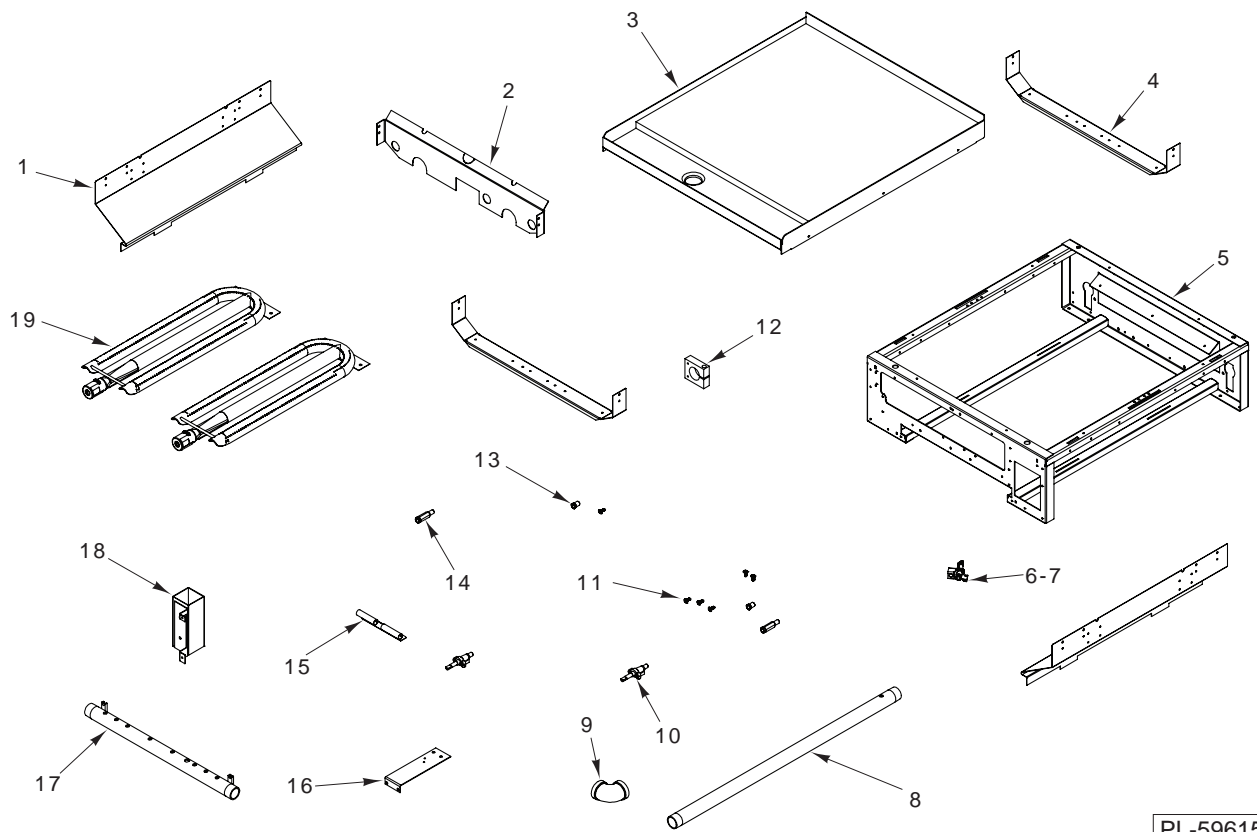
PL-59614

**GRIDDLE TOP MODULE (12 INCH UNIT)**

**GRIDDLE TOP MODULE (12 INCH UNIT)**

ILLUS. PL-59614	PART NO.	NAME OF PART	AMT.
1	00-924002-0000A	Weldment – Frame Assy. (12 In.).....	1
2	00-925015	Drip Pan Guide .....	2
3	00-925053	Elbow .....	1
4	00-929004	Inlet Pipe.....	1
5	00-924005-0000A	Manifold Weldment (12 In.).....	1
6	00-497240-00001	Valve – Manual Griddle.....	1
7	00-924020-0000A	Burner – Griddle XL (12 In.).....	1
*8	-	Orifice .....	1
9	00-413302-00001	Clip – Pilot Mounting.....	1
10	00-404193-00001	Valve Pilot Adjustable ( <sup>3</sup> / <sub>16</sub> In.).....	1
11	00-924016-0000A	Grease Chute Assy. ....	1
12	00-924019	Burner Support .....	1
13	00-924028	Heat Shield (12 In. Griddle) .....	1
14	00-428915-00001	Griddle Pilot Tube/Tip Assy. ....	1
15	00-924012-0000A	Griddle Assy. (12 In.).....	1
16	00-929016	Cap (1 to 1 <sup>1</sup> / <sub>2</sub> ).....	1

\* See Orifice Chart on page 3.



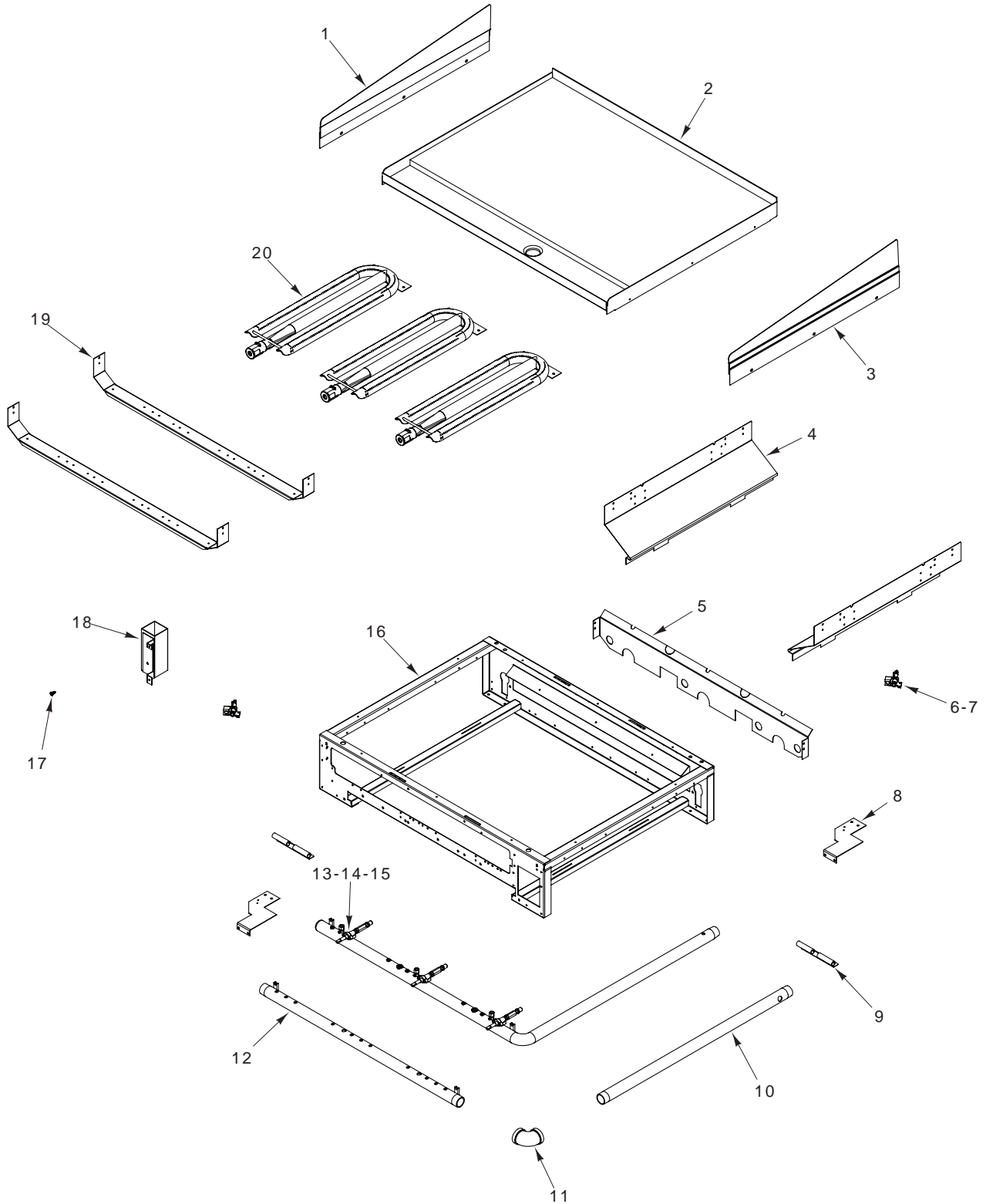
PL-59615

**GRIDDLE TOP MODULE (24 INCH UNIT)**

**GRIDDLE TOP MODULE (24 INCH UNIT)**

ILLUS.	PART NO.	NAME OF PART	AMT.
PL-59615			
1	00-925015	Drip Pan Guide .....	2
2	00-926518	Heat Shield (24 in. Griddle) .....	1
3	00-924511-0000A	Griddle Assy. (24 In.).....	1
4	00-924503	Burner Support .....	2
5	00-924502-0000A	Frame Assy. (24 In).....	1
6	00-426262-00001	Oven Pilot Assy. (NAT).....	1
7	00-426262-00002	Oven Pilot Assy. (PRO).....	AR
8	00-929004	Inlet Pipe.....	1
9	00-925053	Elbow (1 In.).....	1
10	00-497240-00001	Valve – Manual Griddle.....	2
11	00-730228	Self-Tapping Screw 10-24 x 1/2.....	6
12	00-921009	Saddle Clamp .....	1
*13	-	Orifice .....	2
14	00-926523	Valve Extension .....	2
15	00-921074	Flash Tube – Griddles.....	1
16	00-921075	Bracket – Pilot Mount.....	1
17	00-921027-0000A	Manifold Weldment (24 In.).....	1
18	00-926519-0000A	Grease Chute Assy. ....	1
19	00-926509-0000A	Burner – Griddle XL (24 & 36 In.) .....	2
	00-926513-0000A	Splash Assy. (RH) .....	1
	00-926527-0000A	Splash Assy. (LH).....	1
	00-719179	Valve – Pilot Adjustment (1/4 In.).....	1
	00-426505-00012	Tube – Flex 1/4 x 12 In. ....	1

\* See Orifice Chart on page 3.



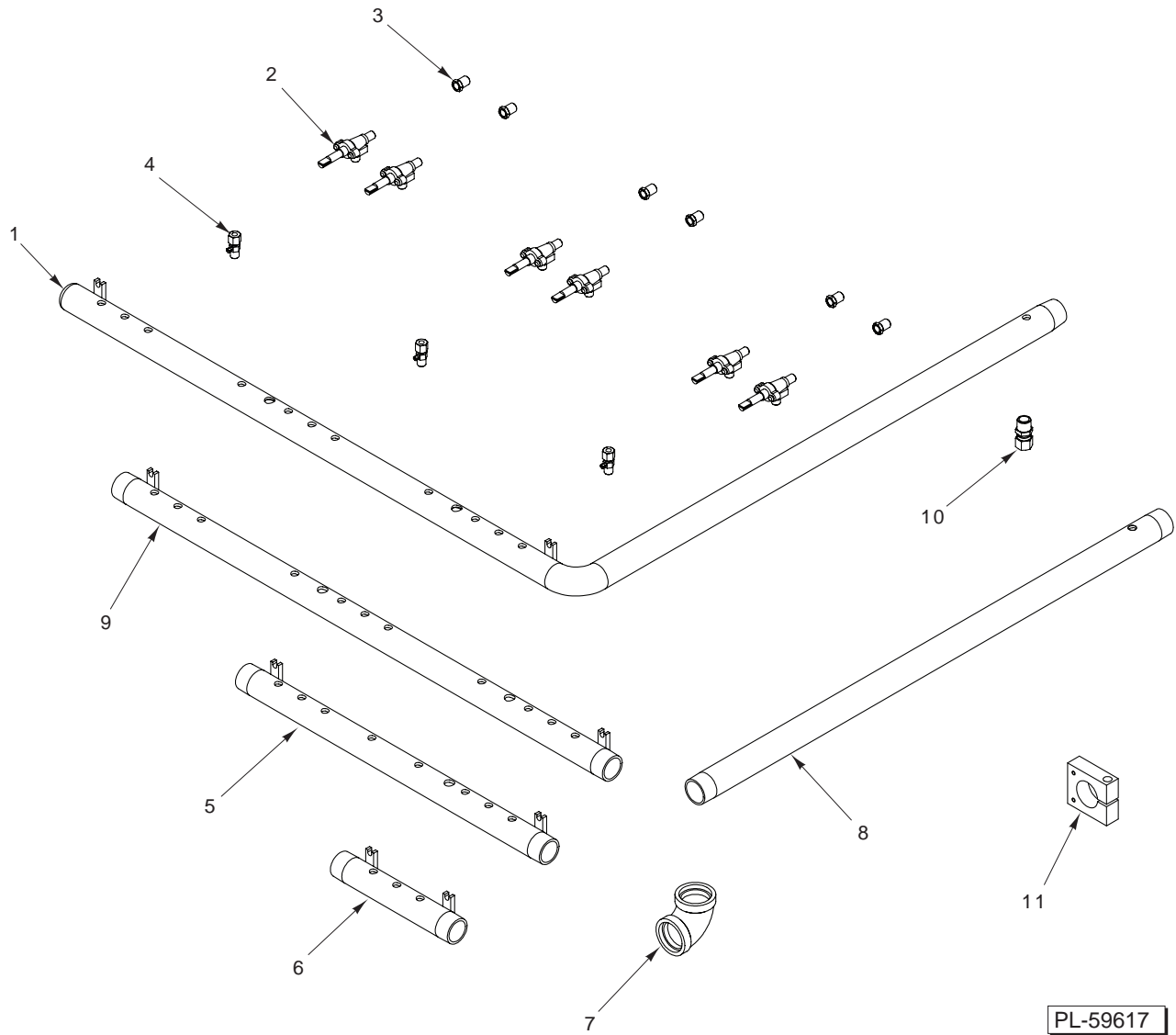
PL-59616

**GRIDDLE TOP MODULE (36 INCH UNIT)**

**GRIDDLE TOP MODULE (36 INCH UNIT)**

ILLUS.	PART NO.	NAME OF PART	AMT.
PL-59616			
1	00-926527-0000A	Splash Assy. – Outer (LH).....	1
2	00-926500-0000A	Griddle Plate Assy. (36 In.).....	1
3	00-926513-0000A	Splash Assy. – Outer (RH).....	1
4	00-925015	Drip Pan Guide .....	2
5	00-926504	Heat Shield (36 In.) T-Stat Griddle.....	1
6	00-426262-00001	Oven Pilot Assy. (NAT).....	2
7	00-426262-00002	Oven Pilot Assy. (PRO).....	2
8	00-924523	Bracket – Pilot Mount Left.....	2
9	00-921074	Flash Tube – Griddles.....	2
10	00-929004	Inlet Pipe.....	1
11	00-925053	Elbow .....	1
12	00-921029-0000A	Manifold Weldment (36 In.).....	1
13	00-719179	Valve – Pilot Adjustment .....	2
14	00-497240-00001	Valve – Manual Griddle.....	3
15	00-956253	Valve – Extension .....	3
16	00-925003-0000A	Top Frame Assy. (36 In.).....	1
17	00-730228	Self-Tapping Screw 10-24 x 1/2.....	AR
18	00-926519-0000A	Grease Chute Assy. ....	1
19	00-925013	Burner Support (36 In. Griddle) .....	2
20	00-926509-0000A	Burner – Griddle XL (24 & 36 In.) .....	3
	00-426505-00012	Tube – Flex 1/4 x 12 In.....	2
*	-	Orifice .....	3

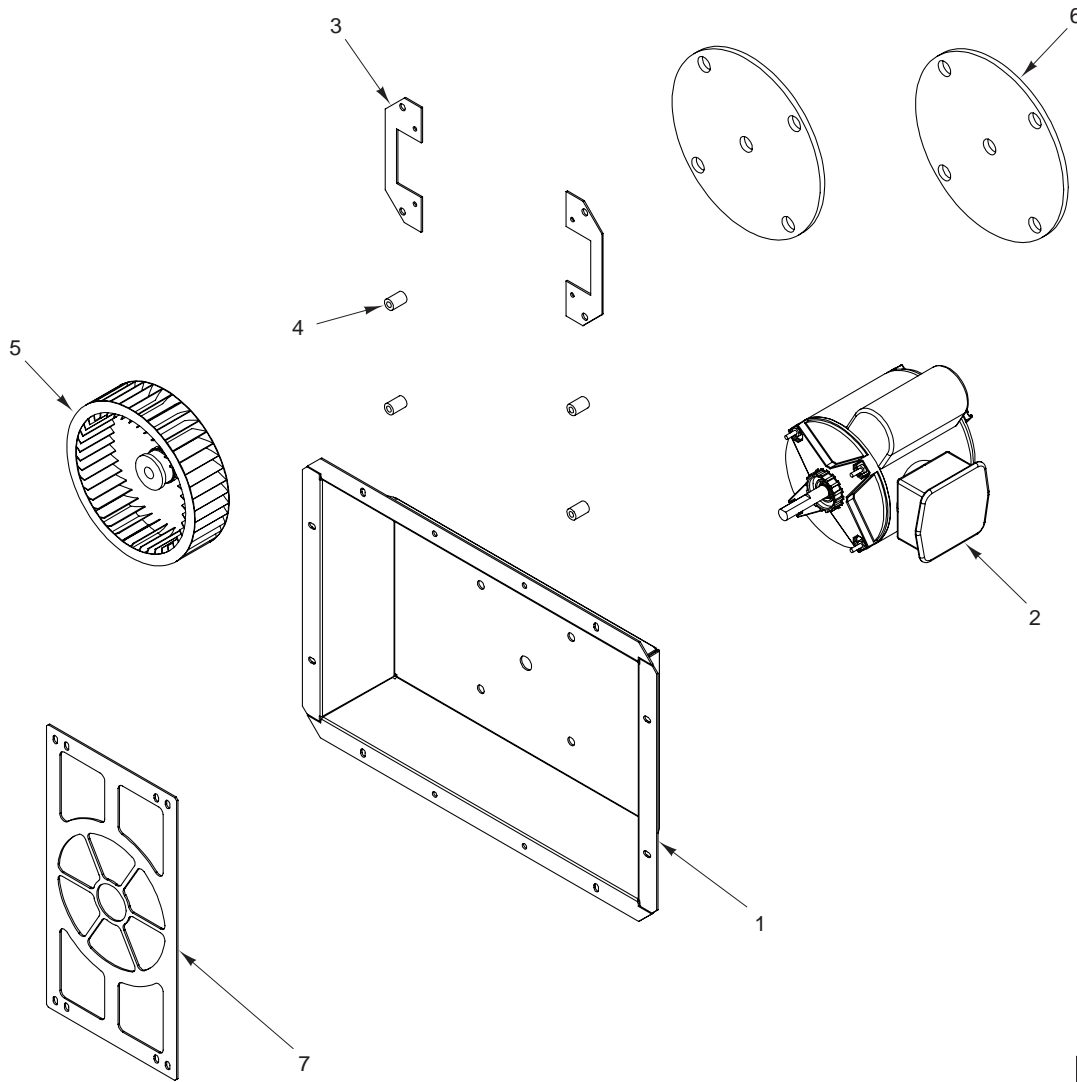
\* See Orifice Chart on page 3.



**OPEN TOP BURNER MANIFOLD ASSEMBLIES**

ILLUS. PL-59617	PART NO.	NAME OF PART	AMT.		
			36"	24"	12"
1	00-925008-0000A	Pipe – Manifold Module (36 In.).....	1	-	-
2	00-719221	Valve – Adjustable (With Split Stem).....	6	4	2
*3	-	Orifice .....	6	4	2
4	00-719179	Valve – Single Pilot.....	3	2	1
5	00-921027-0000A	Manifold Weldment (24 In.).....	-	1	-
6	00-924005-0000A	Manifold Weldment (12 In.).....	-	-	1
7	00-925053	Elbow .....	1	1	1
8	00-929004	Inlet Pipe.....	1	1	1
9	00-921029-0000A	Manifold Weldment (36 In.).....	1	-	-
10	FP-085-42	Fitting <sup>3</sup> / <sub>8</sub> x <sup>7</sup> / <sub>16</sub> .....	1	1	1
11	00-921009	Saddle Clamp .....	AR	AR	AR

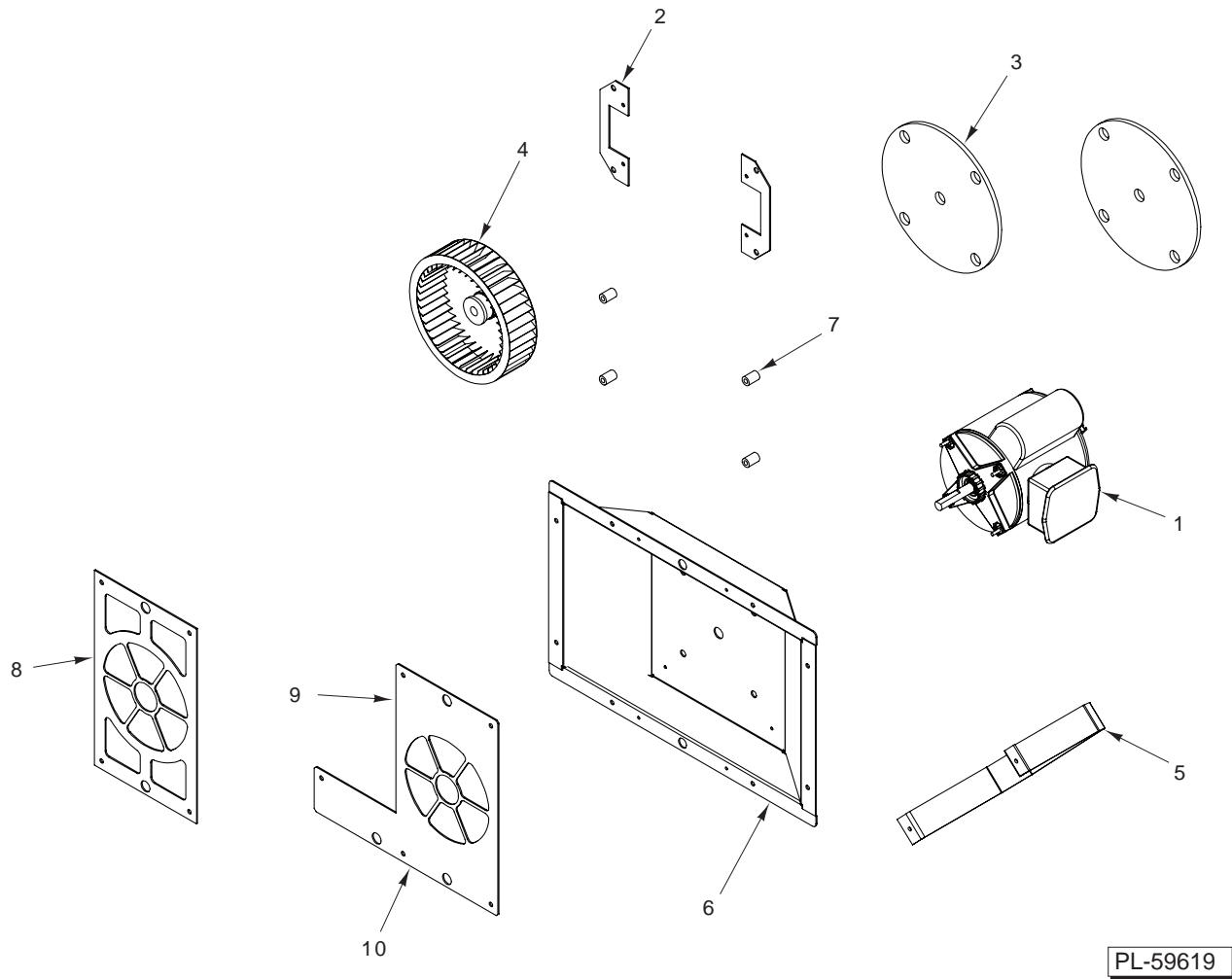
\* See Orifice Chart on page 3.



PL-59618

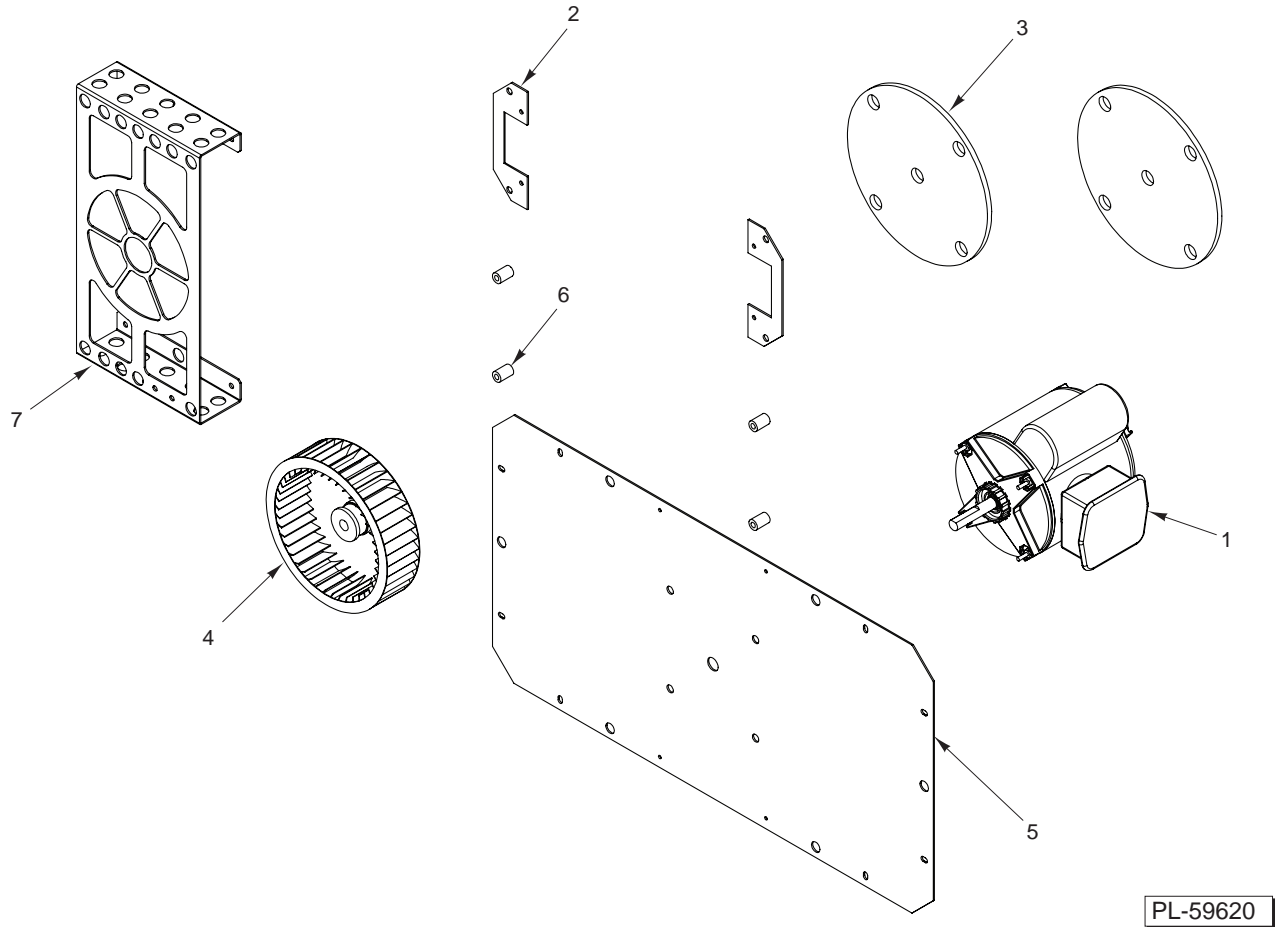
**CONVECTION MOTOR ASSEMBLY (24 INCH UNIT)**

ILLUS.	PART NO.	NAME OF PART	AMT.
PL-59618			
1	00-921459	Motor Mount HB.....	1
2	00-419730-00001	Motor (1/8 Hp.) .....	1
3	00-419719-00002	Motor Mounting Bracket.....	2
4	00-712380	Spacer .....	4
5	00-415780-00008	Rotor Blower .....	1
6	00-428898-00008	Motor Insulation .....	2
7	00-921465	Guard - Motor.....	1
	00-921093	Guard - Motor Grease.....	1
	00-921631	Deflector - Air Flow.....	1



**CONVECTION MOTOR ASSEMBLY (30 INCH UNIT)**

ILLUS.	PART NO.	NAME OF PART	AMT.
PL-59619			
1	00-419730-00001	Motor (1/8 Hp.)	1
2	00-419719-00002	Motor Mounting Bracket	2
3	00-428898-00008	Motor Insulation	2
4	00-415780-00008	Rotor Blower	1
5	00-428347-00001	Motor Guard	1
6	00-921576	Motor Mount HB (Dom: 05/05/2009 To 03/09/2010)	1
7	00-712380	Spacer	4
8	00-921515	Guard - Motor (Rev C, Dom: 05/05/2008 To 2/17/2009)	1
9	00-921575	Blower Cover HB (Rev B, Dom: 10/19/2009 To 01/27/2010)	1
10	00-921575	Blower Cover HB	1



**CONVECTION MOTOR ASSEMBLY (FB) (30 INCH UNIT)**

ILLUS.	PART NO.	NAME OF PART	AMT.
PL-59620			
1	00-419730-00001	Motor (1/8 Hp.) .....	1
2	00-419719-00002	Motor Mounting Bracket.....	2
3	00-428898-00008	Motor Insulation .....	2
4	00-415780-00008	Rotor Blower .....	1
5	00-921640	Motor Mount HB.....	1
6	00-712380	Spacer .....	4
7	00-921658	Blower Cover HB .....	1
	00-921093	Guard – Motor Grease.....	1
	00-921631	Deflector – Air Flow.....	1

**ACCESSORIES FOR STEP-UP BURNERS**

PART NO.	NAME OF PART	AMT.
<b>ML Step-Up (12 In.) (Vulcan)</b>		
00-719237	Nut <sup>3</sup> / <sub>16</sub> Alpha Brass (P/N A64009)	1
00-730228	Self-Tapping Screw 10-24 x <sup>1</sup> / <sub>2</sub> (Reviewed DWM 8/26/08)	6
00-921298	Grate Stop	1
00-921329-0000A	Rear Frame – Step-Up (36 In.)	1
00-921330	Burner Head – Step-Up	1
00-921382	Bracket – Pilot Step-Up	1
00-921419-0000A	Pilot Tube Assy. – Step-Up	1
00-413302-00001	Clip Pilot Mounting	2
00-719243	Brass Sleeve ( <sup>3</sup> / <sub>16</sub> )	1
<b>ML-137209-00HTV Hot Top Module (12 In.) (Vulcan)</b>		
00-921416	I & O Manual Supplement Sheet	1
00-924002-0000A	Frame Assy. (12 In.)	1
00-924005-0000A	Manifold Weldment (12 In.)	1
00-924008	Manifold Cover (12 In.)	1
00-924019	Burner Support (12 In.)	1
00-924020-0000A	Burner – Griddle (12 In.)	1
00-924028	Heat Shield – Griddle (12 In.)	1
00-925015	Crumb Tray Guide (CHR XL)	2
00-927011	Knob – Griddle XL	1
00-404193-00001	Valve <sup>1</sup> / <sub>8</sub> x <sup>1</sup> / <sub>4</sub> 90 Deg. (Pilot Adjustment Valve, 260 Broiler) (Reviewed DM 10/7/08) (Adjustable Pilot Valve For 260 Endurance & MSA Griddle)	1
00-428915-00001	Pilot Tube Assy. Griddle (T3-BZ001-10)	1
00-497240-00001	Valve – Griddle Burner	1
00-497246-00001	Knob – Griddle	1
<b>ML-137210-0001V Hot Top Module (24 In.) (Vulcan)</b>		
00-426505-00012	Tube – Flex ( <sup>1</sup> / <sub>4</sub> x 12 In.)	1
00-921074	Flash Tube (24 In. Griddle)	1
00-921075	Bracket – Griddle Pilot (24 In.)	1
00-921416	I & O Manual Supplement Sheet	1
00-924024-0000A	Manifold Pipe Assy.	1
00-924502-0000A	Weldment – Frame Assy. (24 In.)	1
00-924503	Burner Support (24 In.)	2
00-924510-0000A	Weldment – Crumb Tray (24 In.)	1
00-924514	Cover – Manifold (24 In.)	1
00-925015	Crumb Tray Guide (CHR XL)	2
00-926509-0000A	Burner – Griddle	2
00-926518	Heat Shield – Griddle (24 In.)	1
00-497246-00001	Knob – Griddle	2
<b>ML-137211-00HTV Hot Top Module (36 In.) (Vulcan)</b>		
00-426505-00012	Tube – Flex ( <sup>1</sup> / <sub>4</sub> x 12 In.)	1
00-719179	Valve – Single Pilot (Reviewed DWM 9/3/08)	2
00-730228	Self-Tapping Screw 10-24 x <sup>1</sup> / <sub>2</sub> (Reviewed DWM 8/26/08)	5
00-921029-0000A	Weldment – Manifold (36 In.)	1
00-921034	Manifold Cover (36 In.) (CHR XL)	1
00-921074	Flash Tube – Griddle (24 In.)	2
00-921075	Bracket – Griddle Pilot (24 In.)	2
00-921416	I & O Manual Supplement Sheet	1
00-925003-0000A	Top Frame Assy. (36 In.) (CHR XL)	1
00-925013	Griddle Burner Support (36 In.)	2
00-925015	Crumb Tray Guide (CHR XL)	2
00-926504	Heat Shield (36 In.)	1
00-926509-0000A	Burner – Griddle	3
00-926523	Extension (2.13 Orifice)	3
00-497240-00001	Valve – Griddle Burner	3
00-497246-00001	Knob – Griddle	3
<b>ML-137251-000HT Hot Tops</b>		
00-925057	Hot Top – Front	1
00-925058	Hot Top – Rear	1