



CATALOG OF REPLACEMENT PARTS

900RE SERIES HEAVY DUTY GAS GRIDDLES

<i>MODELS</i>	<i>ML NUMBER</i>
<i>924RE</i>	<i>ML-135221-00G24</i>
<i>936RE</i>	<i>ML-135222-00G36</i>
<i>948RE</i>	<i>ML-135223-00G48</i>
<i>960RE</i>	<i>ML-135224-00G60</i>
<i>972RE</i>	<i>ML-135225-00G72</i>



For additional information on Vulcan-Hart or to locate an authorized parts and service provider in your area, visit our website at www.vulcanhart.com

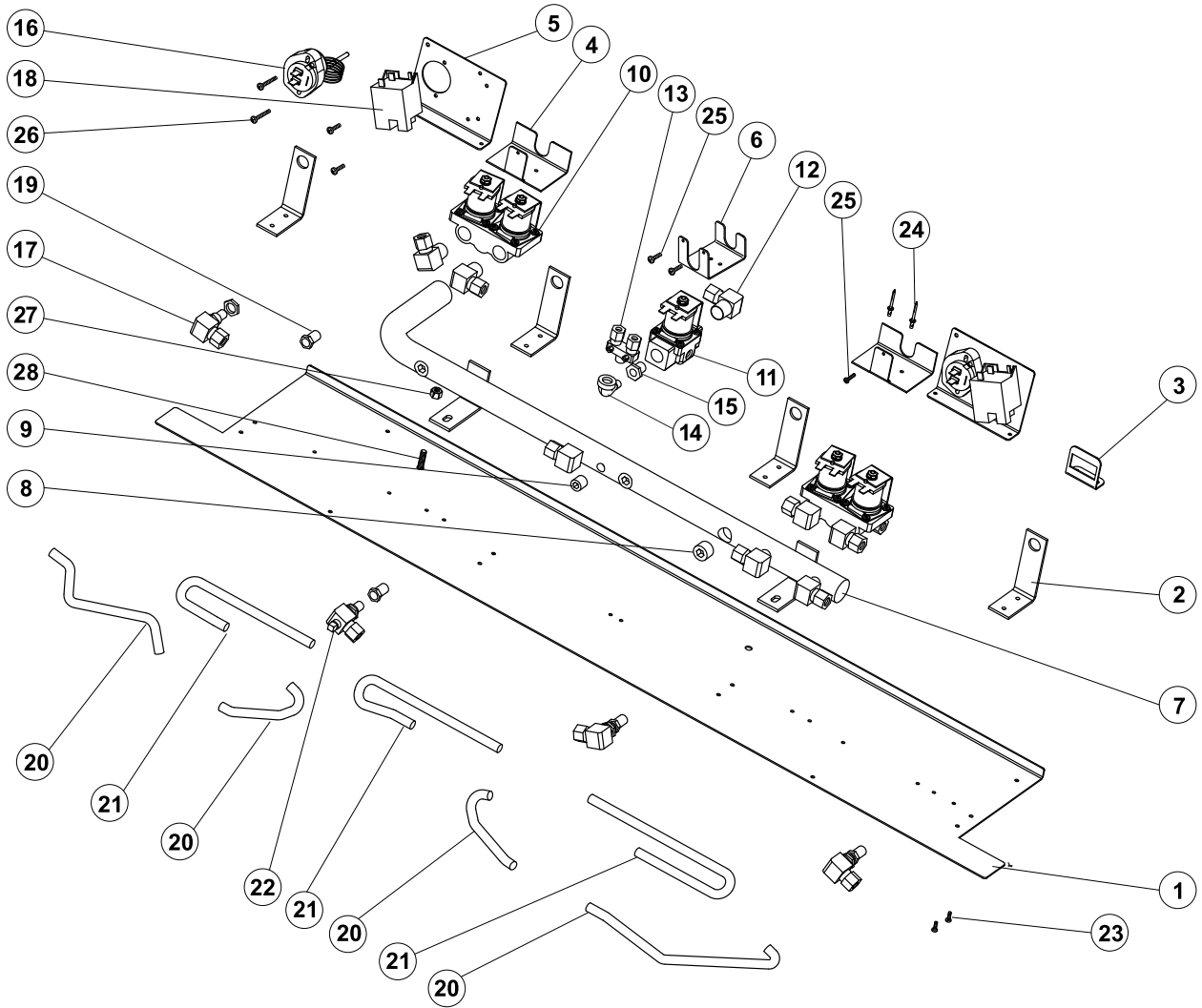


Fig. 1

900RE SERIES
GRIDDLE EXPLODED VIEW

ILLUS. Fig. 1	PART NO.	NAME OF PART	AMT.				
			24"	36"	48"	60"	72"
1	00-788859-0000A	Control Plate 24"	1				
	00-788860-0000A	Control Plate 36"		1			
	00-788788-0000A	Control Plate 48"			1		
	00-788861-0000A	Control Plate 60"				1	
	00-788862-0000A	Control Plate 72"					1
2	00-790025	Bracket, Orifice	2	3	4	5	6
3	00-790034	Bracket, Elec.Connector	1	1	1	1	1
4	00-756302	Holder Dual Solenoid	1	2	2	3	3
5	00-790072	Bracket, Module-Reg Chk	1	2	2	3	3
6	00-790073	Holder, Single Solenoid	1	1		1	
7	00-756947-0000A	Manifold Pipe W/A 24, 36	1	1			
	00-756292-0000A	Manifold Pipe W/A 48, 60, 72			1	1	1
8	00-719365	Countersink Plug 3/8 NPT	1	3	3	3	3
9	00-719363	Countersink Plug 1/8 NPT	1	2	2	2	2
10	00-713656	Dual Solenoid	1	2	2	3	3
11	00-770085-00002	Single Solenoid	1		1		1
12	00-719376	Brass Elbow	5	7	10	10	13
13	00-719179	Single Pilot Valve	1	1			
	00-719194	Dual Pilot Valve			1	1	1
14	00-711368	Street Elbow	1	1	1	1	1
15	00-719066	Reducing Bushing	1	1	1	1	1
16	00-714321	Switch, Flame, Single Pole	1	2	2	3	3
17	00-719383	Orifice Fitting	1	2	3	4	5
18	00-720385	Module	1	2	2	3	3
19	00-719951-00041	Orifice Hood, Natural	2	3	4	5	6
	00-719951-00053	Orifice Hood, Propane	2	3	4	5	6
20	00-722425	Flex Tubing 3/8 X 8	1	2	3	4	5
21	00-722221	Flex Tubing 3/8X12	1	3	4	3	2
22	00-719385	Orifice Fitting w/plug	1	1	1	1	1
23	00-730260	Screw 10-24 X 3/8					
24	00-730416	Rivets	10	10	10	10	10
25	00-730226	Phillips Screw 6-32 X 1/2	2	2	4	2	4
26	00-730238	Phillips Screw 8-32 X 5/8	1	4	4	4	4
27	NS-046-52	Nut, Assy 1/4-20					
28	00-723369	Screw, 1/4-20 X 1/2 TRUSS PHIL	2	2	2	2	2
Items Not Shown							
	00-722220	Flex Tubing 3/8X6"	1				
	00-722222	Flex Tubing 3/8X18"				1	
	00-722224	Flex Tubing 3/8X30"					1
	00-426505-00008	Flex Tubing 1/4X8"		2			
	00-722228	Flex Tubing 1/4X12"				2	2
	00-722229	Flex Tubing 1/4X18"		1	2		1
	00-722230	Flex Tubing 1/4X24"				1	
	00-722232	Flex Tubing 1/4X36"	1			1	
	00-722233	Flex Tubing 1/4X48"					1
	00-408279-00025	Nat Gas Regulator					
	00-408279-00021	LP Gas Regulator					

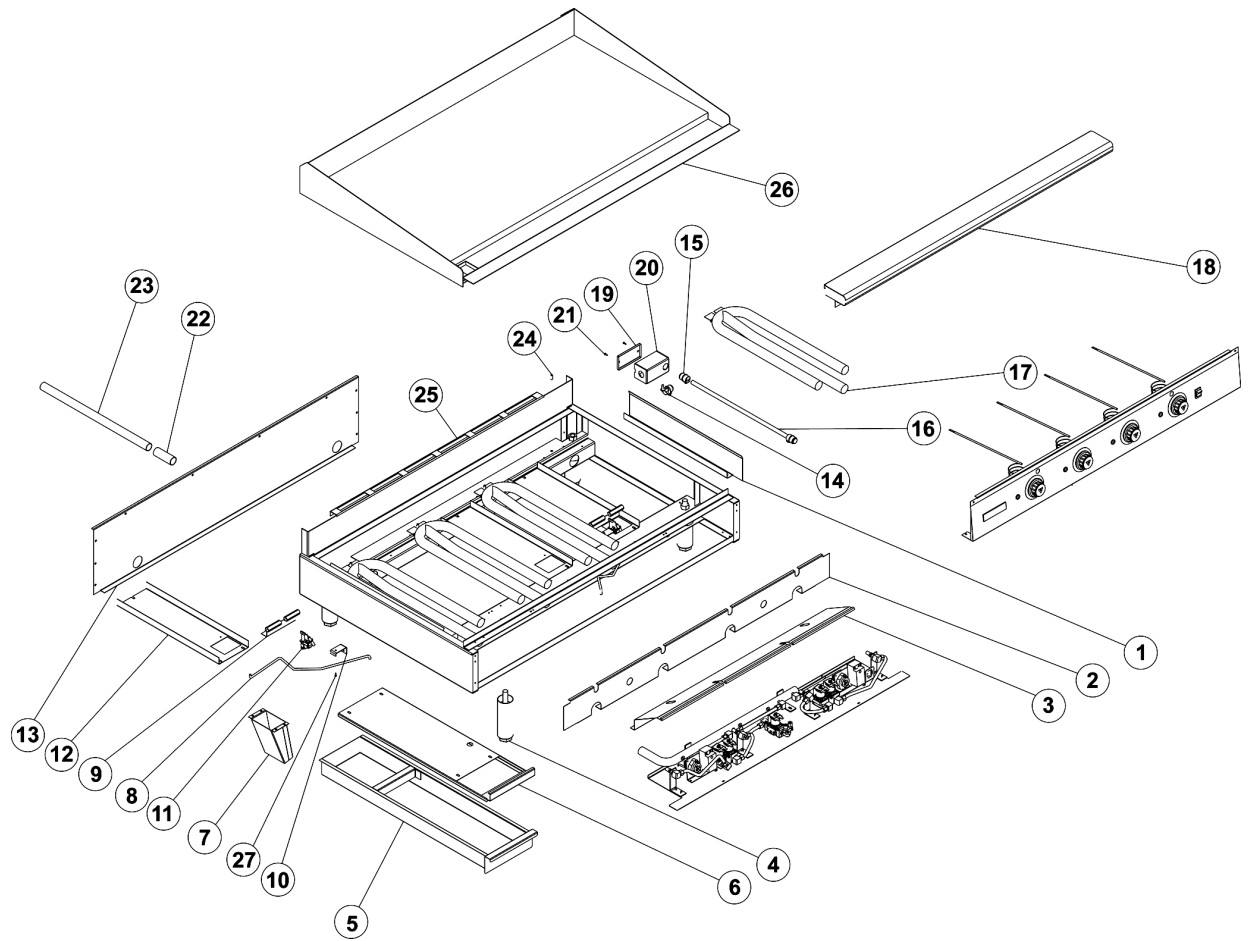


Fig. 2

900RE SERIES
CONTROL PANEL SUB-ASSEMBLY

ILLUS. Fig. 2	PART NO.	NAME OF PART	AMT.				
			24"	36"	48"	60"	72"
1	00-790031-00001	Side Heat Shield, Right	1	1	1	1	1
	00-790031-00002	Side Heat Shield, Left	1	1	1	1	1
2	00-788850	Deflector Panel 24"	1				
	00-788851	Deflector Panel 36"		1			
	00-788790	Deflector Panel 48"			1		
	00-788852	Deflector Panel 60"				1	
	00-788853	Deflector Panel 72"					1
3	00-788855	Heatshield 24"	1				
	00-788856	Heatshield 36"		1			
	00-788791	Heatshield 48"			1		
	00-788857	Heatshield 60"				1	
	00-788858	Heatshield 72"				1	
4	00-723532	Legs	4	4	4	4	4
5	00-498082-0000A	Grease Can Assembly	1	1	1	2	2
6	00-788854	Grease Can Guide	1	1	1	2	2
7	00-790019-0000A	Weld Assembly, Grease Chute	1	1	1	2	2
8	00-722229	Flex Tubing 1/4X18"					
9	00-790035	Flash Tube	2	2	2	3	3
10	00-790036	Bracket, Pilot	2	2	2	3	3
11	00-713930	Pilot, Robertshaw 35-20 w/Orange Wire	2	2	2	3	3
12	00-790033	Heat Shield Middle	2	2	3	4	4
13	00-788824	Back Panel 24"	1				
	00-788825	Back Panel 36"		1			
	00-788801	Back Panel 48"			1		
	00-788826	Back Panel 60"				1	
	00-788827	Back Panel 72"					1
14	00-713813	Connector, 3/8" Supply Cord	1	1	1	1	1
15	00-719522	Connector, 3/8" Metal Conduit	1	1	1	1	1
16	00-723531	3/8" Conduit, 19"	1	1	1	1	1
17	00-719737-00004	Burner - Screw Attached (Old Style)	2	3	4	5	6
	00-719737-00005	Burner - Pin, Clip Attached (New Style)	2	3	4	5	6
18	00-788891-0000A	Bullnose Weldment Assembly Vulcan 24"	1				
	00-788892-0000A	Bullnose Weldment Assembly Vulcan 36"		1			
	00-788893-0000A	Bullnose Weldment Assembly Vulcan 48"			1		
	00-788894-0000A	Bullnose Weldment Assembly Vulcan 60"				1	
	00-788895-0000A	Bullnose Weldment Assembly Vulcan 72"					1
19	00-719503	"J" Box, Cover	1	1	1	1	1
20	00-719502	"J" Box, #670 Raco Single	1	1	1	1	1
21	00-730228	10-24 X 1/2" Phil Truss Taptite, Zinc	3	3	3	3	3
22	00-719004	Coupling, 3/4" Black	1	1	1	1	1
23	00-719990	Nipple 3/4 X 21 1/2"	1	1	1	1	1
24	00-722608	Nut, Nutsert 1/4 X 20. 3/8" Dia.	2	3	4	5	6
25	00-788800-000A1	Chassis Weld Assembly 24"	1				
	00-788800-000A2	Chassis Weld Assembly 36"		1			
	00-788800-000A3	Chassis Weld Assembly 48"			1		
	00-788800-000A4	Chassis Weld Assembly 60"				1	
	00-788800-000A5	Chassis Weld Assembly 72"					1
26	00-790088-000A1	Weld Assembly, Chrome Griddle Plate 24"	1				
	00-790088-000A2	Weld Assembly, Chrome Griddle Plate 36"		1			
	00-790088-000A3	Weld Assembly, Chrome Griddle Plate 48"			1		
	00-790088-000A4	Weld Assembly, Chrome Griddle Plate 60"				1	
	00-790088-000A5	Weld Assembly, Chrome Griddle Plate 72"					1
27	00-730260	Screw, 10-24 X 3/8"	2	2	2	3	3
Items Not Shown							
	00-723526-00001	Wiring Harness	1				
	00-723527-00001	Wiring Harness		1			
	00-723528-00001	Wiring Harness			1		
	00-723529-00001	Wiring Harness				1	
	00-723530-00001	Wiring Harness					1

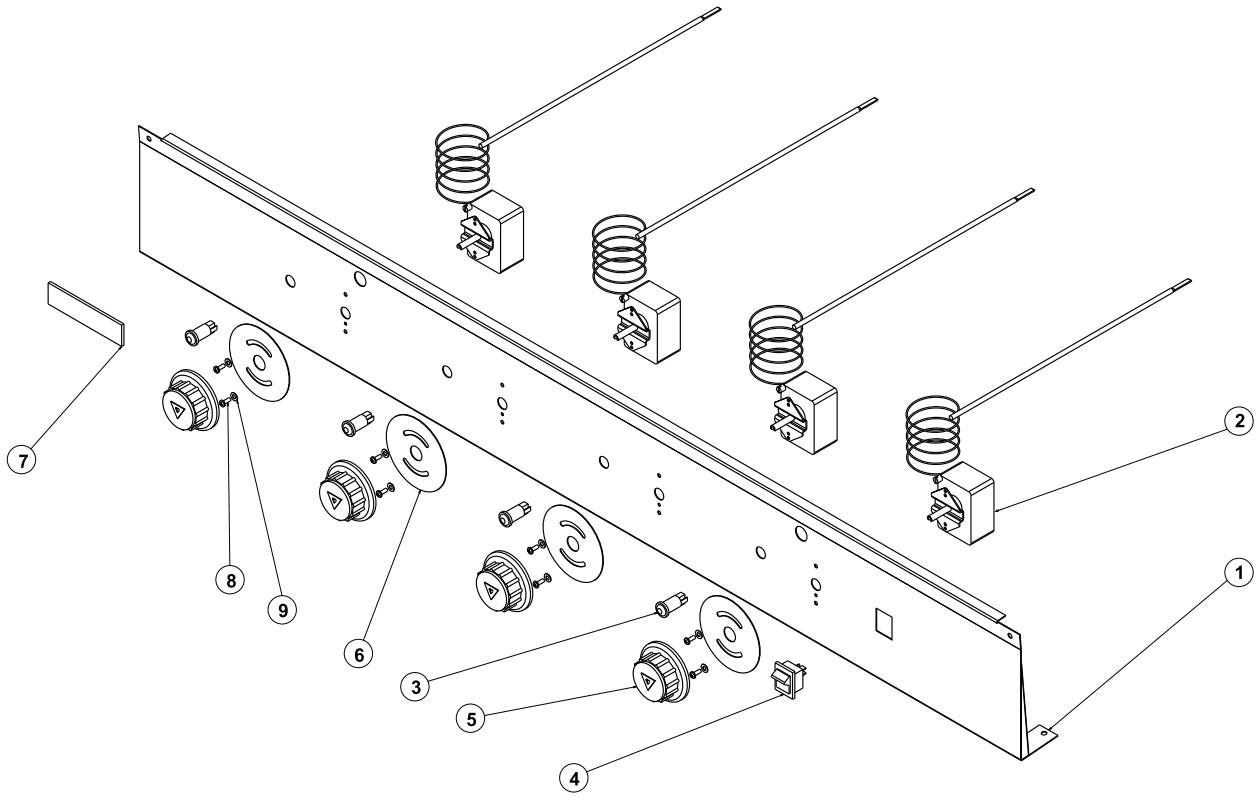


Fig. 3

**900RE SERIES
FRONT PANEL ASSEMBLY**

ILLUS. Fig. 3	PART NO.	NAME OF PART	AMT.				
			24"	36"	48"	60"	72"
1	00-788863	Front Panel	1				
1	00-788864	Front Panel		1			
1	00-788789	Front Panel			1		
1	00-788865	Front Panel				1	
1	00-788866	Front Panel					1
2	00-810071	Thermostat, Snap Action, KXT	2	3	4	5	6
3	00-720017	Light, Indicator Red	2	3	4	5	6
4	00-810280-00001	Power Switch	1	1	1	1	1
5	00-498041	Knobs	2	3	4	5	6
6	00-810069	Dial, Thermostat	2	3	4	5	6
7	00-417700-00003	Vulcan Logo	1	1	1	1	1
8	SC-066-02	Screw, Mach, 6-32 X 3/8"	4	6	8	10	12
9	WS-028-20	Washer, 0.1`66 X 0.438 X 0.040	4	6	8	10	12

Recommended Stock for 900RE Series Griddle

00-790035	Flash Tube	2
00-713930	Pilot Assembly	2
00-810071	Thermostat	2
00-720017	Red Indicator Light	2
00-810280-00001	Power Switch	2
00-498041	Thermostat Knob	2
00-713656	Dual Solenoid	2
00-719194	Dual Pilot Valve	2
00-714321	Flame Switch	2
00-720385	Ignition Module	2
00-713845	Power Cord	2
00-719951-00041	Natural Orifice	2
00-719951-00053	L.P. Orifice	2
00-408279-00025	Natural Regulator	2
00-408279-00021	L.P. Regulator	2
00-720041	Pilot Head Natural Orifice	2
00-712363	Pilot Head L.P. Orifice	2
00-770085-00002	Single Solenoid	2
00-719179	Single Pilot Valve	2

