

L1
120V

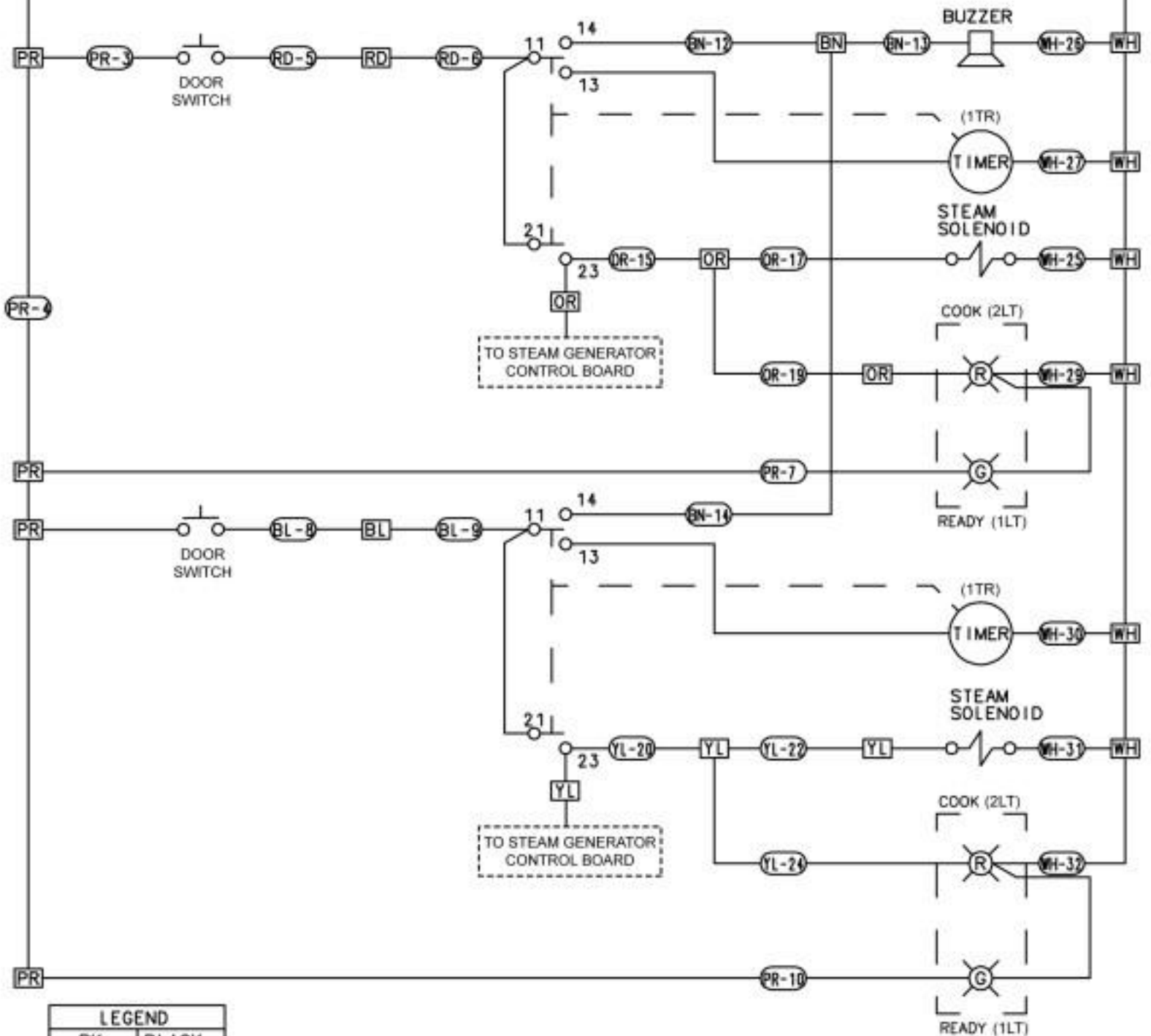
COOKING COMPARTMENT SCHEMATIC

C24EA 6 & 10

L2
N

18

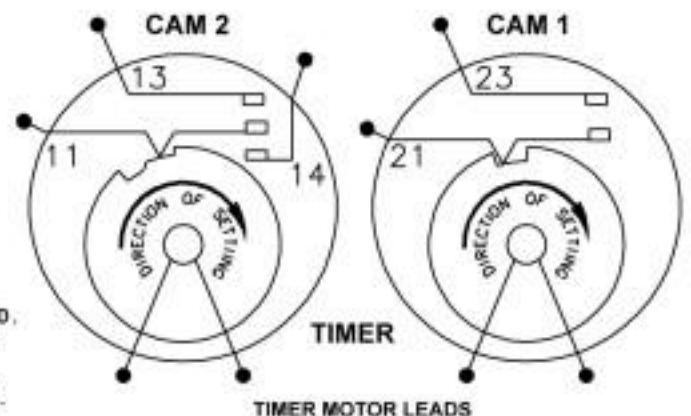
NOTE: L1 & L2 FROM STEAM GENERATOR



LEGEND	
BK	BLACK
PR	PURPLE
BL	BLUE
BN	BROWN
YL	YELLOW
RD	RED
OR	ORANGE
WH	WHITE
GN	GREEN

TIMER NOTE

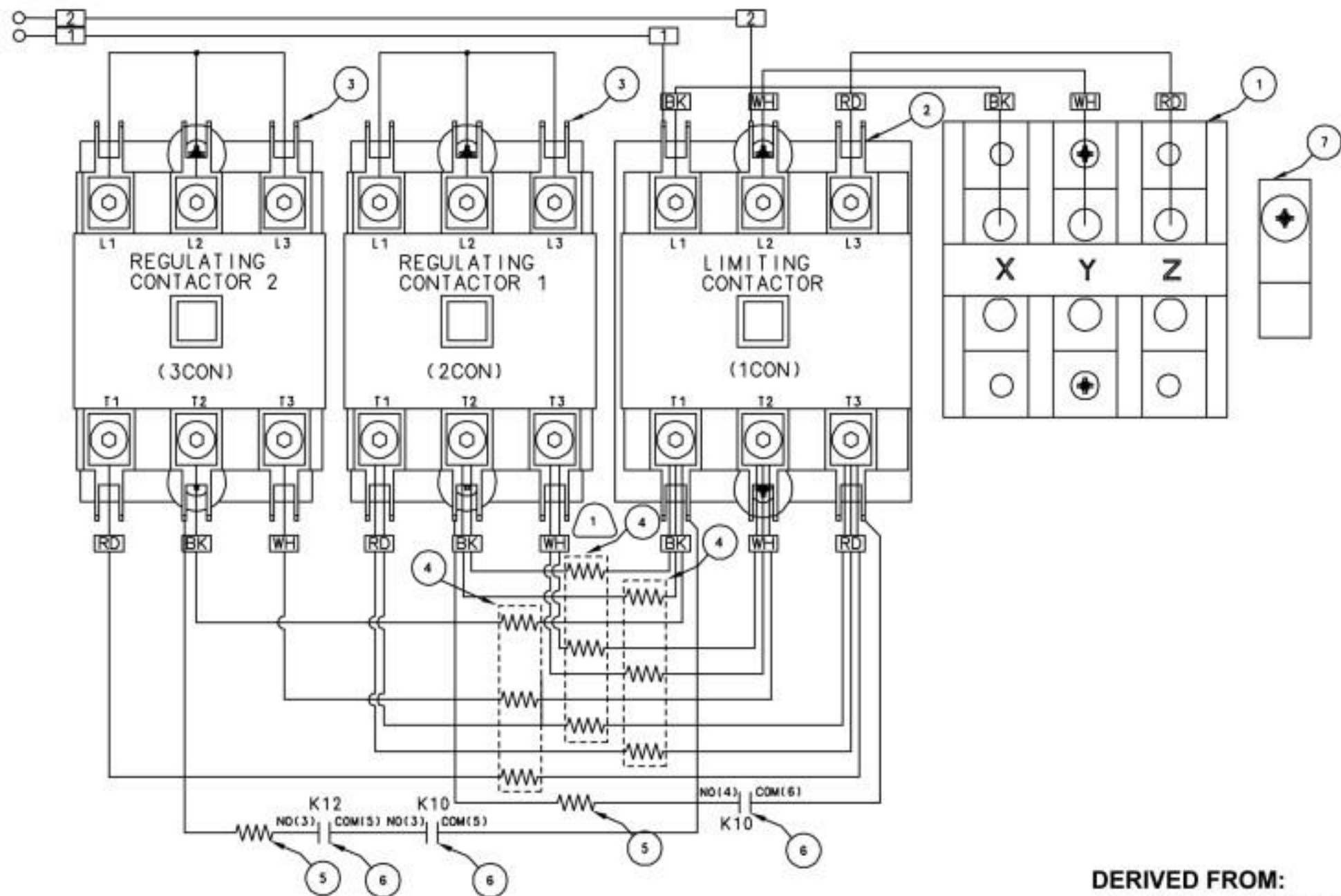
WHEN TIMER IS RUNNING, CONTACTS 11/13 AND 21/23 ARE CLOSED.
 WHEN TIMER IS AT ZERO, CONTACTS 11/13 AND 21/23 RETURN TO OPEN STATE AND CONTACTS 11/14 ARE CLOSED.
 WHEN TIMER IS AT CONSTANT, ONLY CONTACTS 21/23 ARE CLOSED.



480V 3 PHASE

ITEM	DESCRIPTION	QUANTITY	
		6 PAN	10 PAN
1	TERMINAL BLOCK	1	1
2	LIMITING CONTACTOR	1	1
3	REGULATING CONTACTOR	2	2
4	GENERATOR HEATING ELE.	2	3
5	HEAT EXCHANGER ELE.	2	0
	HEAT EXCHANGER ELE.	0	2
6	RELAY	2	2
7	GROUND LUG	1	1

TO FUSE
BLOCK

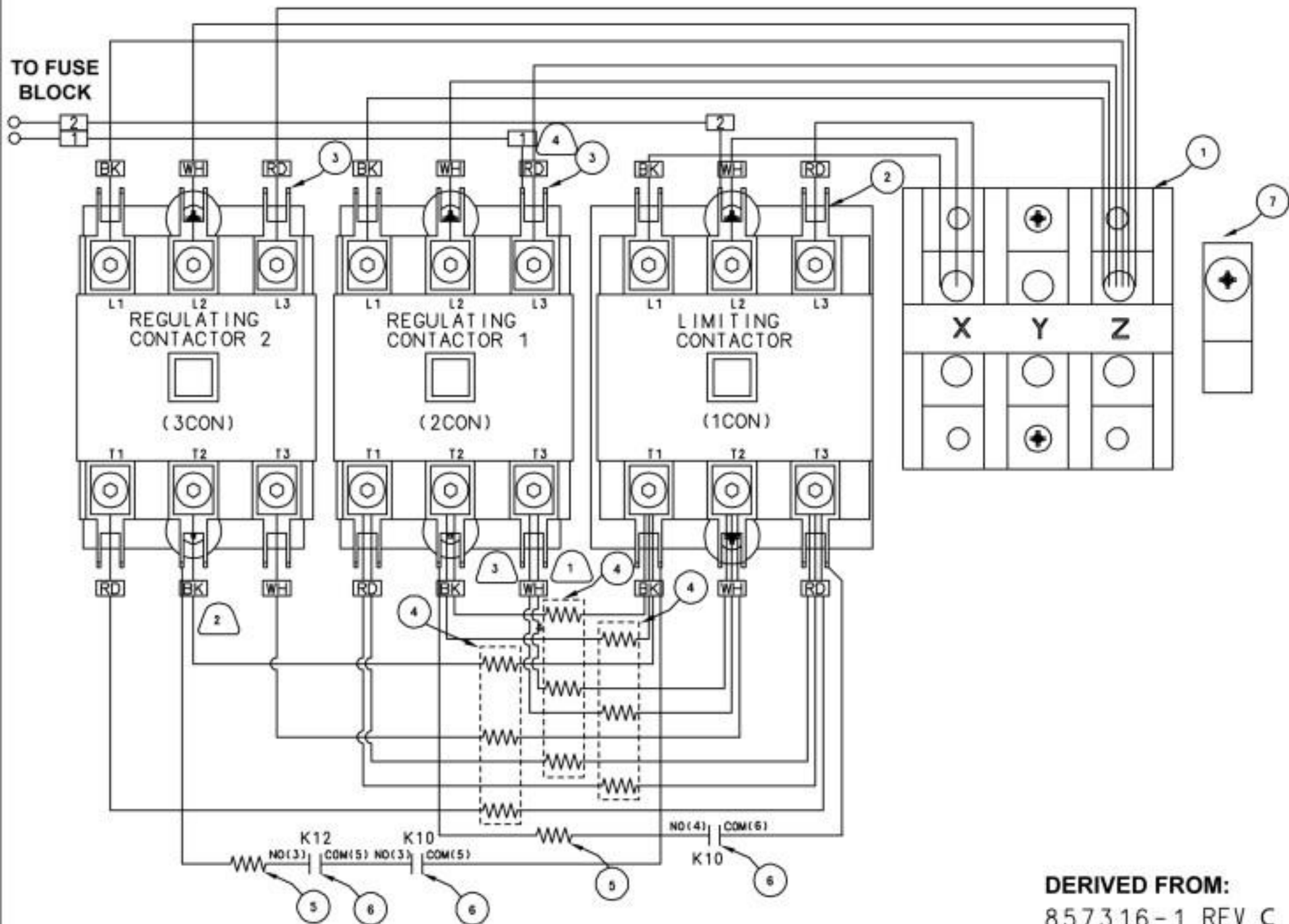


DERIVED FROM:
857316 - 2 REV C

208V 1 PHASE

SEE FIELD CONVERSION NOTES FOR 240V

ITEM	DESCRIPTION	QUANTITY	
		6 PAN	10 PAN
1	TERMINAL BLOCK	1	1
2	LIMITING CONTACTOR	1	1
3	REGULATING CONTACTOR	2	2
4	GENERATOR HEATING ELE.	2	3
5	HEAT EXCHANGER ELE.	2	0
	HEAT EXCHANGER ELE.	0	2
6	RELAY	2	2
7	GROUND LUG	1	1

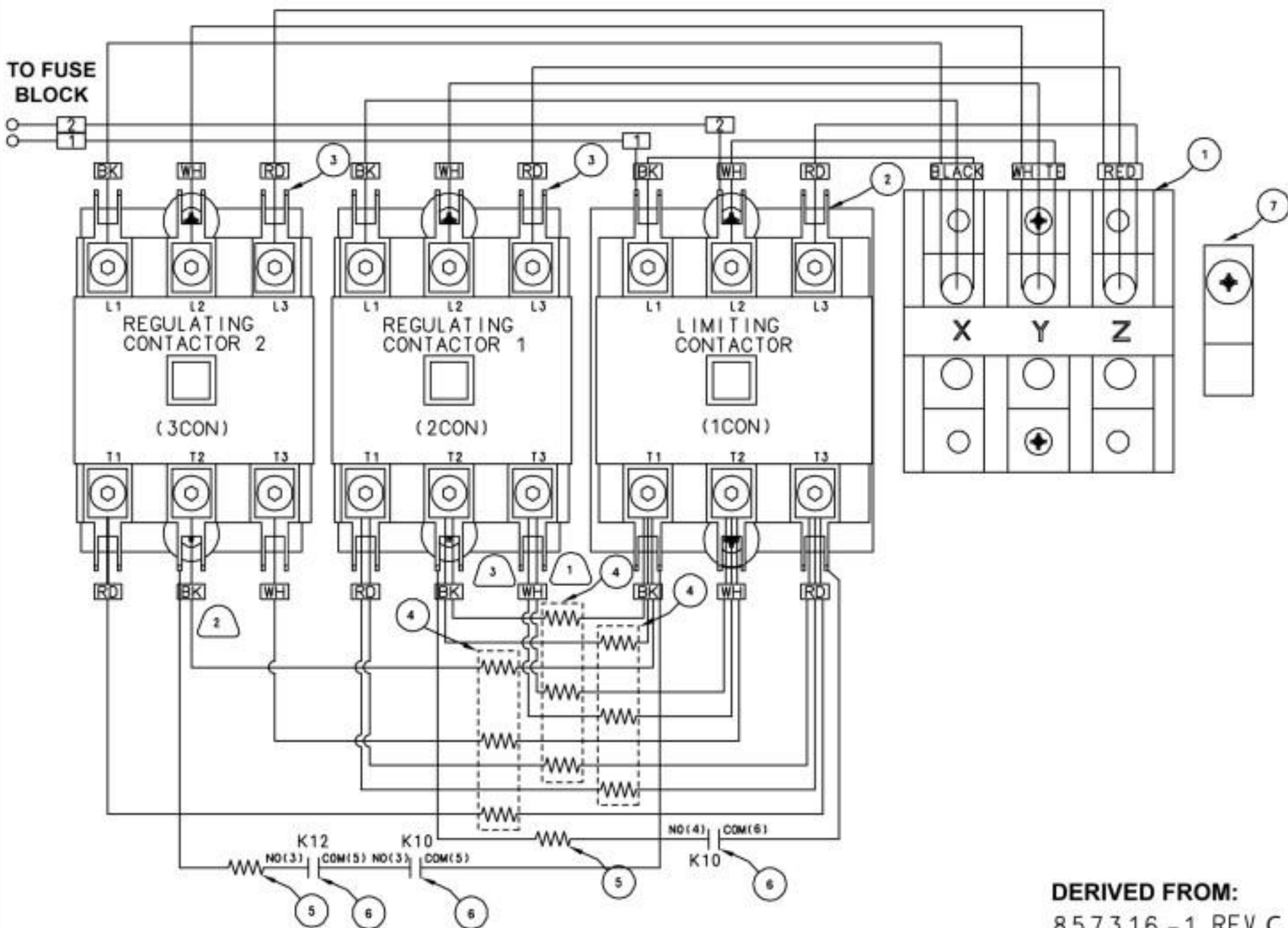


DERIVED FROM:
857316-1 REV C

208V 3 PHASE

SEE FIELD CONVERSION NOTES FOR 240V

ITEM	DESCRIPTION	QUANTITY	
		6 PAN	10 PAN
1	TERMINAL BLOCK	1	1
2	LIMITING CONTACTOR	1	1
3	REGULATING CONTACTOR	2	2
4	GENERATOR HEATING ELE.	2	3
5	HEAT EXCHANGER ELE.	2	0
	HEAT EXCHANGER ELE.	0	2
6	RELAY	2	2
7	GROUND LUG	1	1



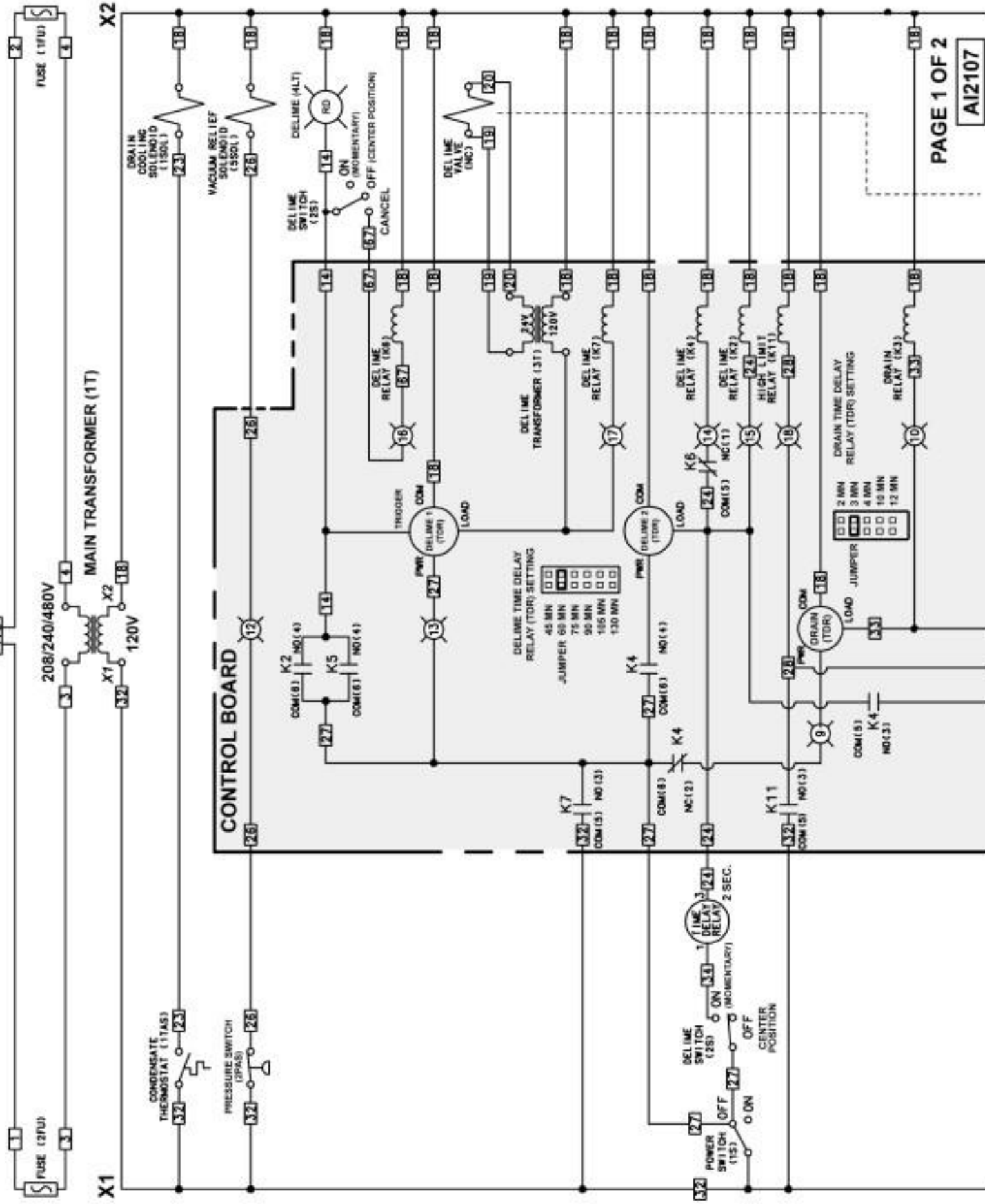
C24EA 6 & 10 SCHEMATIC 208V/240V/480V

MAIN TRANSFORMER CONNECTIONS

H1	COM
H2	208V
H3	240V
H4	480V

1FU & 2FU = 3A (SLOW BLOW)

L1 — L2



LEGEND OF ELECTRICAL SYMBOLS



TERMINAL BLOCK (TB)



TIME DELAY RELAY



FUSE (FU)



SOLENOID (SOL)



SWITCH, SPDT



DRAIN VALVE, MOTORIZED



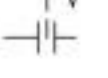
SWITCH, N.O.



DELIME VALVE, MOTORIZED



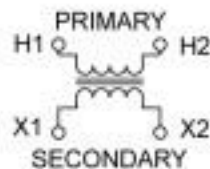
THERMOSTAT, N.O.



COIL, RELAY (K) OR CONTACTOR



PRESSURE SWITCH, N.C.



TRANSFORMER (T)



CONTACTS, N.C.



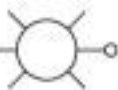
CONTACTS, N.O.



WATER PROBE ASSEMBLY



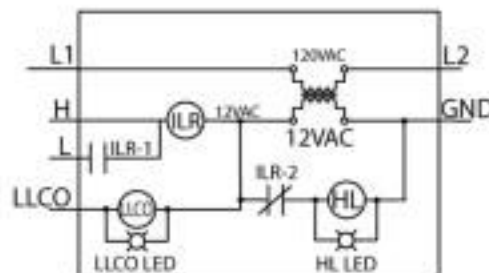
COOKING TIMER



LIGHT

AM = AMBER
GN = GREEN
RD = RED

N.C. = NORMALLY CLOSED
N.O. = NORMALLY OPEN



WATER LEVEL CONTROL (WLC)