



# CATALOG OF REPLACEMENT PARTS



## C24EO SERIES CONNECTIONLESS STEAMER

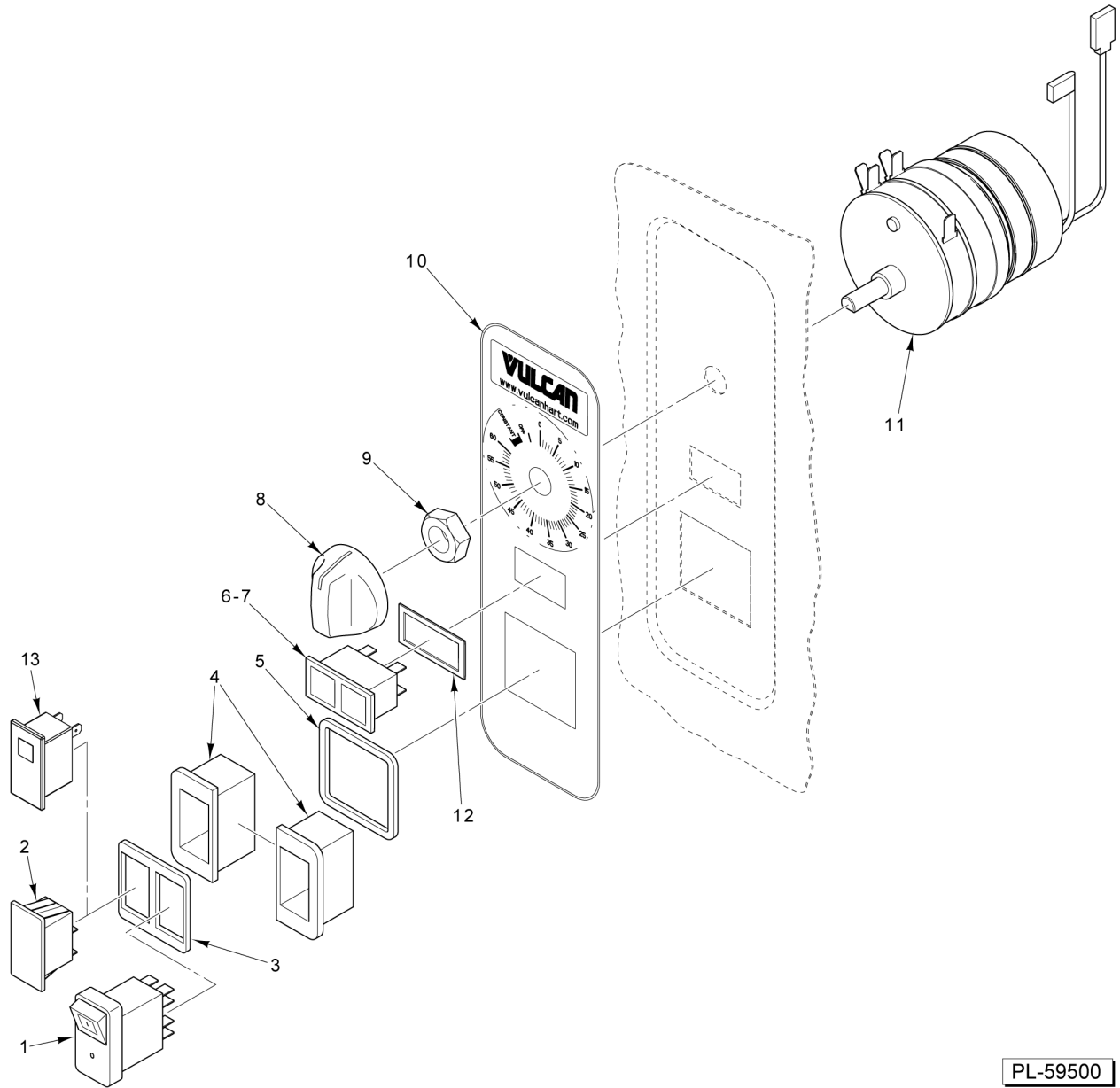
C24EO3  
C24EO5

ML-136006  
ML-136007



**Table of Contents**

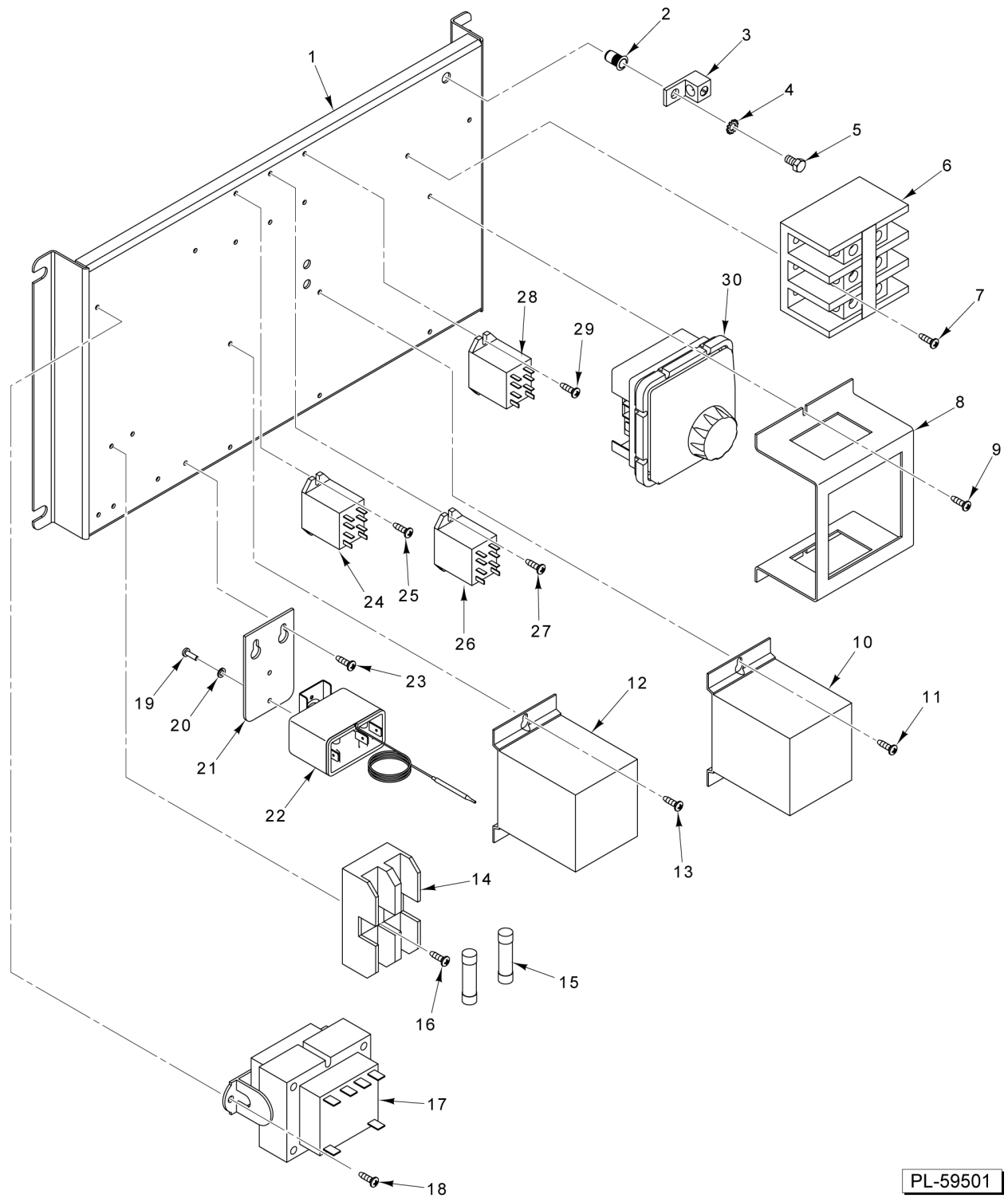
|    |                                  |
|----|----------------------------------|
| 5  | CONTROLS                         |
| 7  | ELECTRICAL COMPONENTS            |
| 9  | ELECTRICAL COMPONENTS (AUTOFILL) |
| 11 | DOOR                             |
| 13 | COMPARTMENT                      |
| 15 | DRAIN ASSEMBLY                   |
| 17 | HEATER ELEMENT AND SHIELDS       |
| 19 | CABINET                          |



## CONTROLS

## CONTROLS

| ILLUS.<br>PL-59500 | PART NO.        | NAME OF PART   | AMT. |
|--------------------|-----------------|--|------|
| 1                  | 00-855677-00003 | Switch - On/Off Momentary LT. DPDT.....                  | 1    |
| 2                  | 00-856680-00001 | Plug - Blank Assy. (Incls. Gasket).....                  | 1    |
| 3                  | 00-855795-00001 | Gasket - Switch.....                                     | 1    |
| 4                  | 00-855794-00001 | Bezel - Switch.....                                      | 2    |
| 5                  | 00-855796-00001 | Gasket - Bezel.....                                      | 1    |
| 6                  | 00-913102-00265 | Double Light Assy. (Amber - Low Water / Red - Cook)..... | 1    |
| 7                  | 00-856680-00001 | Plug - Blank Assy. (Incls. Gasket).....                  | 1    |
| 8                  | 00-856773-00001 | Knob - Timer.....  | 1    |
| 9                  | 00-854693-00001 | Shaft - Rotary Seal.....                                 | 1    |
| 10                 | 00-856771-00002 | Overlay - Control (Vulcan).....                          | 1    |
| 11                 | 00-913102-0176A | Kit - Timer (Incls Shaft Seal & Knob).....               | 1    |
| 12                 | 00-856680-00001 | Plug - Blank Assy. (Incls. Gasket).....                  | 1    |
| 13                 | 00-858738-00001 | Light - Indicator (Overfill) (Autofill Units Only).....  | 1    |

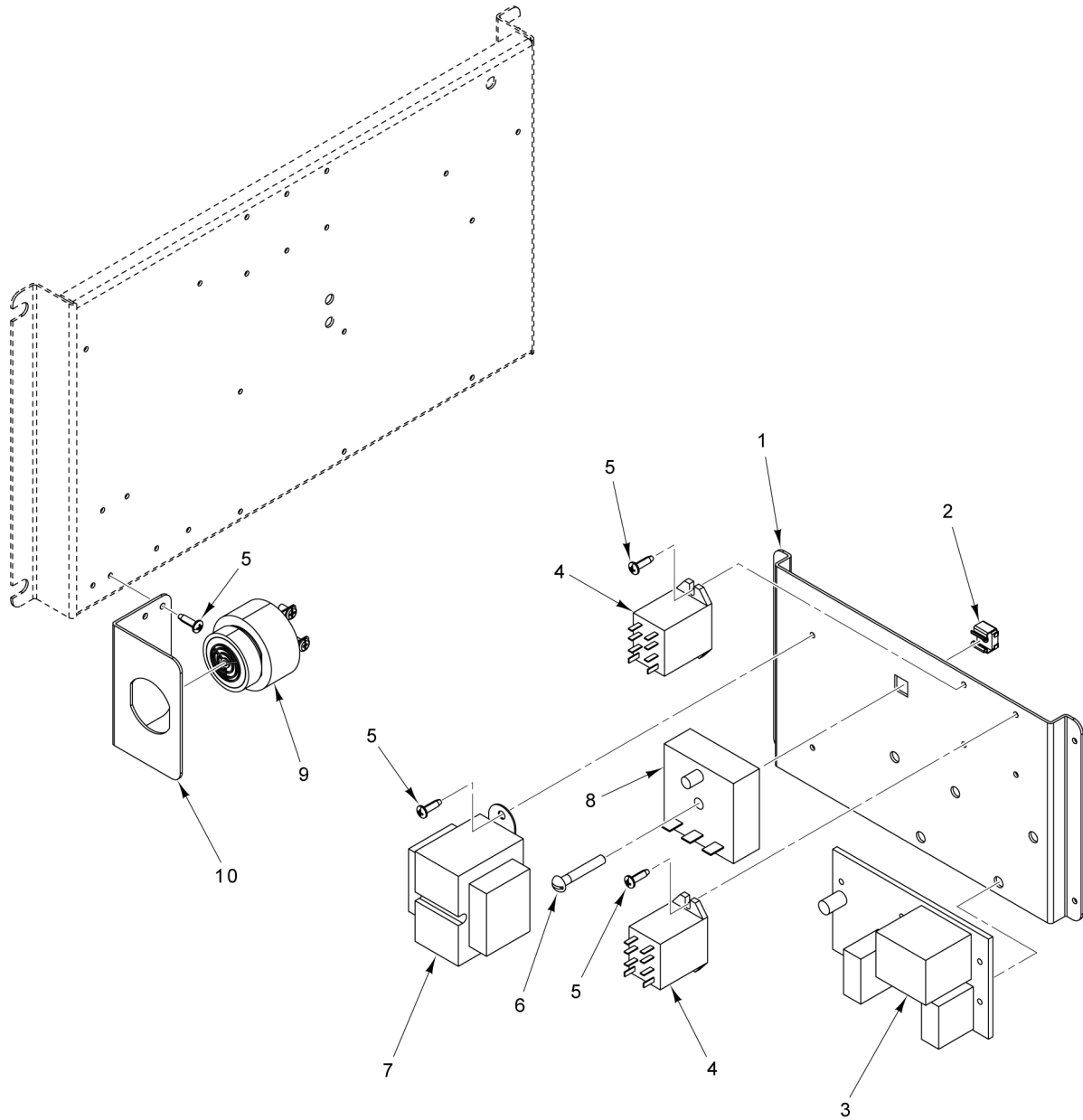


PL-59501

**ELECTRICAL COMPONENTS**

## ELECTRICAL COMPONENTS

| ILLUS.   | PART NO.        | NAME OF PART   | AMT. |
|----------|-----------------|--|------|
| PL-59501 |                 |  |      |
| 1        |                 | Plate - Mounting.....                                    | 1    |
| 2        | 00-936742-00001 | Nut 10-24 Insert.....                                    | 1    |
| 3        | 00-118544-00002 | Lug - Grounding.....                                     | 1    |
| 4        | WL-014-07       | Lockwasher #10 External Shakeproof (SST).....            | 1    |
| 5        | SC-120-23       | Mach. Screw 10-24 x 3/8 Hex Hd.....                      | 1    |
| 6        | 00-410472-00008 | Block - Terminal (3-Pole).....                           | 1    |
| 7        | SD-019-29       | Self-Tapping Screw 6-20 x 1/2 Phil. Pan Hd., Type B..... | 2    |
| 8        |                 | Bracket - Controller.....                                | 1    |
| 9        | SD-019-29       | Self-Tapping Screw 6-20 x 1/2 Phil. Pan Hd., Type B..... | 2    |
| 10       | 00-840115       | Contact (25 Amp.).....                                   | 1    |
| 11       | SD-019-29       | Self-Tapping Screw 6-20 x 1/2 Phil. Pan Hd., Type B..... | 2    |
| 12       | 00-840115       | Contact (25 Amp.).....                                   | 1    |
| 13       | SD-019-29       | Self-Tapping Screw 6-20 x 1/2 Phil. Pan Hd., Type B..... | 2    |
| 14       | 00-855028-00001 | Block - Fuse.....  | 1    |
| 15       | 00-423986-00001 | Fuse (KTK-R-3).....                                      | 2    |
| 16       | SD-019-29       | Self-Tapping Screw 6-20 x 1/2 Phil. Pan Hd., Type B..... | 2    |
| 17       | 00-294500-00033 | Transformer (60 VA. 50/60 Hz.).....                      | 1    |
| 18       | SD-019-29       | Self-Tapping Screw 6-20 x 1/2 Phil. Pan Hd., Type B..... | 2    |
| 19       | SC-113-10       | Mach. Screw 4-40 x 3/8 Phil. Pan Hd.....                 | 1    |
| 20       | WL-003-09       | Lockwasher #6 Helical.....                               | 1    |
| 21       |                 | Mount - High Limit.....                                  | 1    |
| 22       | 00-857637-00001 | Thermostat - High Limit Temperature.....                 | 1    |
| 23       | SD-019-29       | Self-Tapping Screw 6-20 x 1/2 Phil. Pan Hd., Type B..... | 2    |
| 24       | 00-416535-00006 | Relay - DPST (120 V.).....                               | 1    |
| 25       | SD-019-29       | Self-Tapping Screw 6-20 x 1/2 Phil. Pan Hd., Type B..... | 2    |
| 26       | 00-416535-00006 | Relay - DPST (120 V.).....                               | 1    |
| 27       | SD-019-29       | Self-Tapping Screw 6-20 x 1/2 Phil. Pan Hd., Type B..... | 2    |
| 28       | 00-416535-00006 | Relay - DPST (120 V.).....                               | 1    |
| 29       | SD-019-29       | Self-Tapping Screw 6-20 x 1/2 Phil. Pan Hd., Type B..... | 2    |
| 30       | 00-857578-00001 | Controller - Temperature.....                            | 1    |

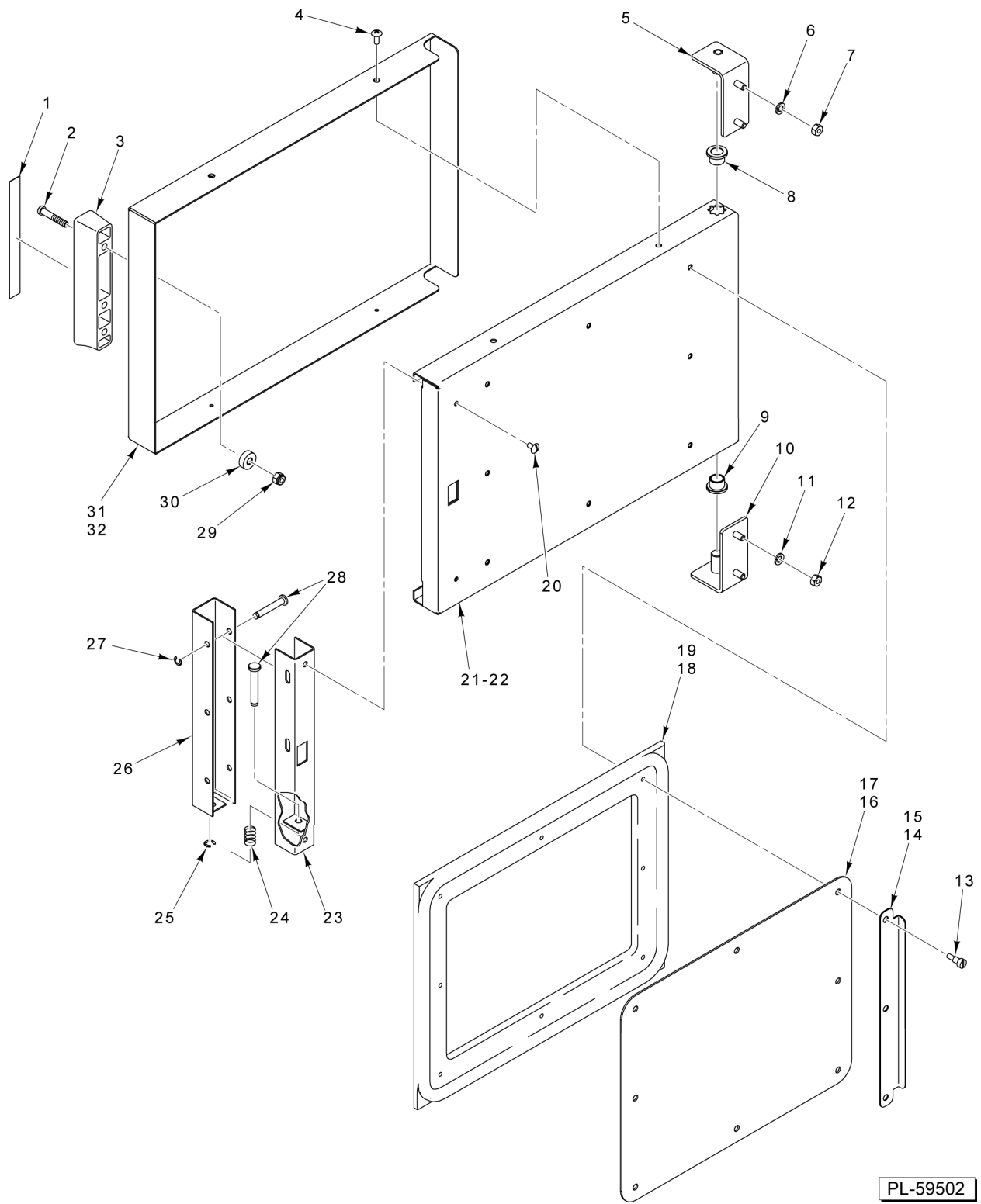


PL-61469

### ELECTRICAL COMPONENTS (AUTOFILL)

**ELECTRICAL COMPONENTS (AUTOFILL)**

| ILLUS.   | PART NO.        | NAME OF PART   | AMT. |
|----------|-----------------|--|------|
| PL-61469 |                 |  |      |
| 1        | 00-858726-00002 | Plate - Control.....                                     | 1    |
| 2        | NS-049-01       | Panel Nut 10-24.....                                     | 1    |
| 3        | 00-844069-00001 | Control - Low Water.....                                 | 1    |
| 4        | 00-856699-00001 | Switch - Relay.....                                      | 2    |
| 5        | SD-019-29       | Self-Tapping Screw 6-20 x 1/2 Phil. Pan Hd., Type B..... | 6    |
| 6        | SC-021-96       | Mach. Screw 10-24 x 1-1/4 Slotted Rd. Hd. (SST).....     | 1    |
| 7        | 00-411500-00012 | Transformer (120 VAC, 24 V., 40 VA).....                 | 1    |
| 8        | 00-855661-00001 | Relay - Time Delay.....                                  | 1    |
| 9        | 00-858728-00001 | Buzzer (Water Level).....                                | 1    |
| 10       | 00-858726-00003 | Bracket - Buzzer.....                                    | 1    |



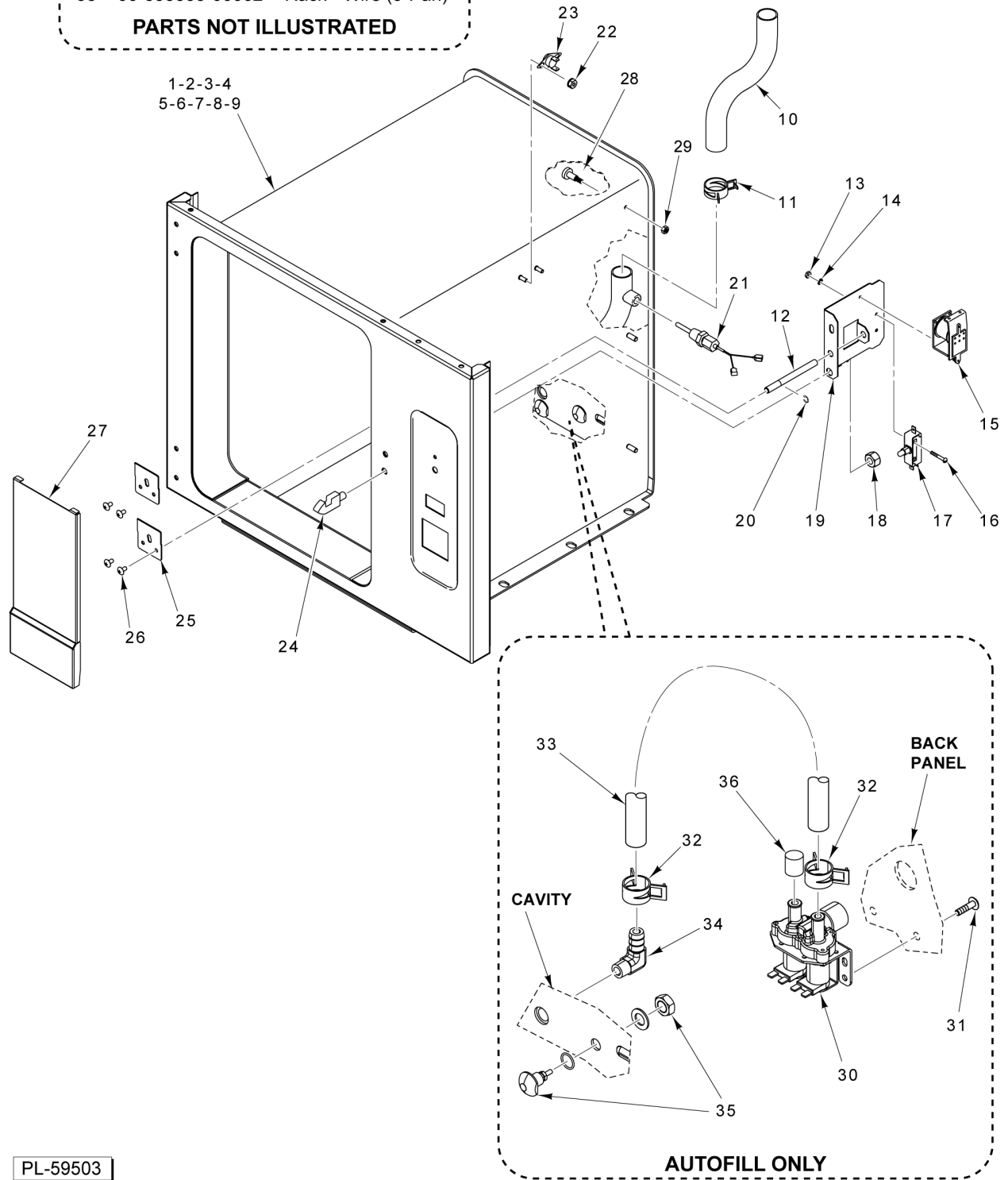
PL-59502

**DOOR**

## DOOR

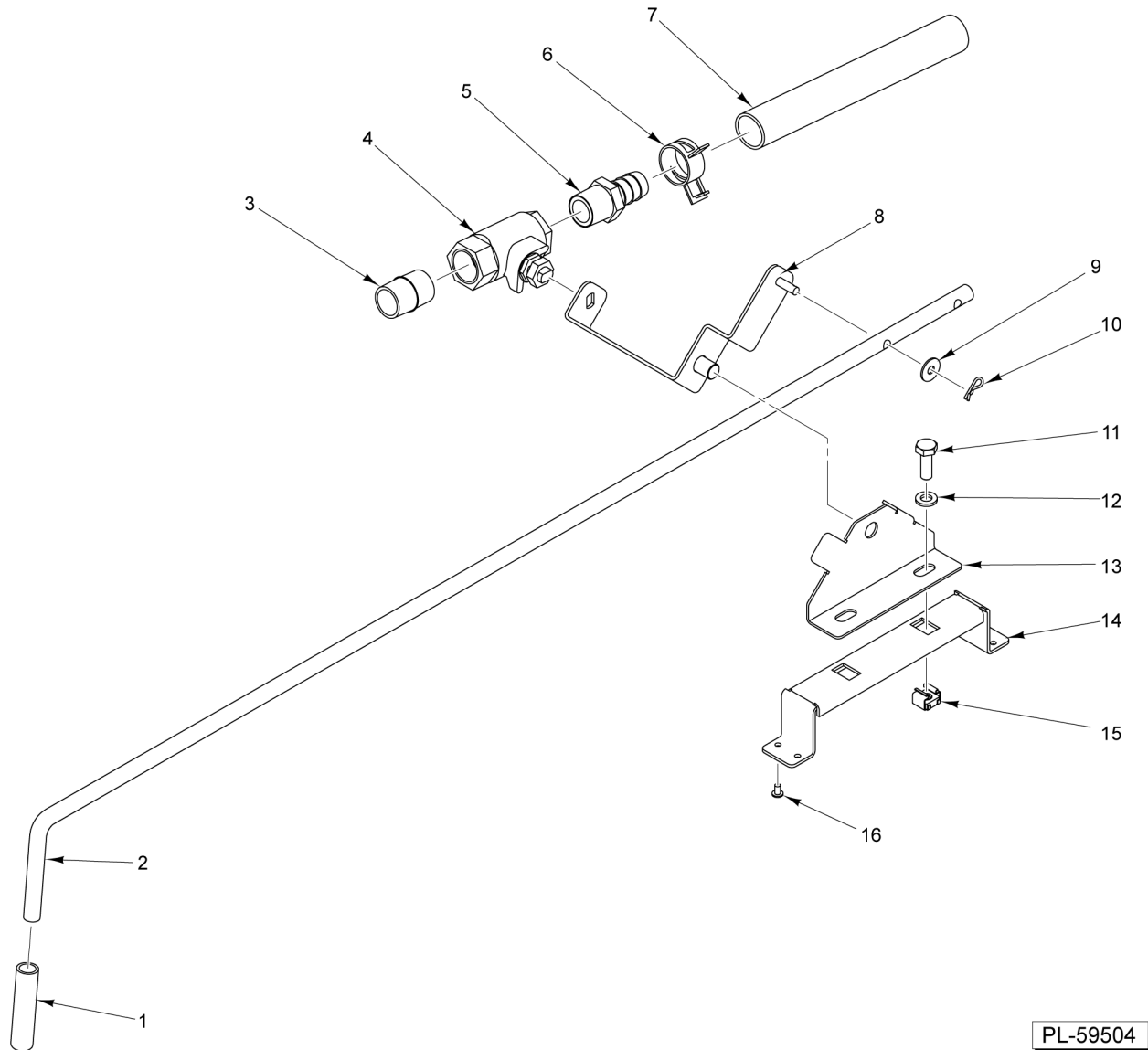
| ILLUS.<br>PL-59502 | PART NO.        | NAME OF PART   | AMT. |
|--------------------|-----------------|--|------|
| 1                  | 00-855288-00001 | Face Plate - Door Handle.....                        | 1    |
| 2                  | SC-120-70       | Cap Screw 1/4-20 x 1-5/8 Hex Socket Hd.....          | 2    |
| 3                  | 00-855287-00001 | Handle - Door.....                                   | 1    |
| 4                  | SC-066-20       | Mach. Screw 10-32 x 1/2 Phil. Truss Hd. (SST).....   | 4    |
| 5                  | 00-855521-00001 | Hinge Assy. - Door (Top).....                        | 1    |
| 6                  | WL-006-17       | Lockwasher 1/4 Helical (SST).....                    | 2    |
| 7                  | NS-046-38       | Nut 1/4-20 Hex (SST).....                            | 2    |
| 8                  | 00-817643       | Bearing - Flanged.....                               | 1    |
| 9                  | 00-817643       | Bearing - Flanged.....                               | 1    |
| 10                 | 00-855521-00002 | Hinge Assy. - Door (Bottom).....                     | 1    |
| 11                 | WL-006-17       | Lockwasher 1/4 Helical (SST).....                    | 2    |
| 12                 | NS-046-38       | Nut 1/4-20 Hex (SST).....                            | 2    |
| 13                 | 00-855597-00002 | Screw 10-32 x 5/16 Slotted (SST).....                | 3    |
| 14                 | 00-855714-00001 | Gasket - Door Guard (3-Pan).....                     | 1    |
| 15                 | 00-855714-00002 | Gasket - Door Guard (5-Pan).....                     | 1    |
| 16                 | 00-855285-00001 | Gasket Retainer - Door (3-Pan).....                  | 1    |
| 17                 | 00-855285-00002 | Gasket Retainer - Door (5-Pan).....                  | 1    |
| 18                 | 00-857085-00001 | Kit - Door Gasket (3 Pan).....                       | 1    |
| 19                 | 00-857085-00002 | Kit - Door Gasket (5 Pan).....                       | 1    |
| 20                 | SC-053-05       | Mach. Screw 10-24 x 3/8 Slotted Truss Hd. (SST)..... | 2    |
| 21                 | 00-855581-00001 | Door - Inner (3 Pan).....                            | 1    |
| 22                 | 00-855581-00002 | Door - Inner (5 Pan).....                            | 1    |
| 23                 | 00-855583-00001 | Bracket - Door Latch.....                            | 1    |
| 24                 | 00-855298-00001 | Latch Spring - Door.....                             | 1    |
| 25                 | RR-006-22       | Retaining Ring 1/4 In. (SST).....                    | 1    |
| 26                 | 00-855585-00001 | Latch Actuator - Door.....                           | 1    |
| 27                 | RR-006-22       | Retaining Ring 1/4 In. (SST).....                    | 3    |
| 28                 | 00-855590-00002 | Pin - Clevis 1.525 In. Lg.....                       | 4    |
| 29                 | NS-048-63       | Lock Nut 1/4-20 Hex (SST).....                       | 2    |
| 30                 | 00-855290-00001 | Bearing - Door Handle.....                           | 2    |
| 31                 | 00-855580-00001 | Frame - Door (3-Pan).....                            | 1    |
| 32                 | 00-855580-00002 | Frame - Door (5-Pan).....                            | 1    |

37 00-855355-00001 Rack - Wire (3-Pan)  
 38 00-855355-00002 Rack - Wire (5-Pan)  
**PARTS NOT ILLUSTRATED**



## COMPARTMENT

| ILLUS.<br>PL-59503 | PART NO.        | NAME OF PART   | AMT. |
|--------------------|-----------------|--|------|
| 1                  | 00-857555-00001 | Compartment (3 Pan).....   | 1    |
| 2                  | 00-857555-00002 | Compartment (3-Pan) (Autofill Units Only).....                           | 1    |
| 3                  | 00-857569-00001 | Compartment (5 Pan).....   | 1    |
| 4                  | 00-857569-00002 | Compartment (5-Pan) (Autofill Units Only).....                           | 1    |
| 5                  | 00-857601-00001 | Insulation - Rear (3 Pan).....   | 1    |
| 6                  | 00-857602-00001 | Insulation - Rear (5 Pan).....   | 1    |
| 7                  | 00-857553-00001 | Wrap - Insulation (3 Pan).....   | 1    |
| 8                  | 00-857554-00001 | Wrap - Insulation (5 Pan).....   | 1    |
| 9                  | 00-557598       | Tape - Aluminum Foil.....  | AR   |
| 10                 | 00-557477       | Hose (4 Ft.) (Green).....  | AR   |
| 11                 | 00-557847-00001 | Clamp - Hose.....  | 2    |
| 12                 | 00-855307-00001 | Actuator Rod - Door.....   | 1    |
| 13                 | NS-011-07       | Nut 6-32 Hex (SST).....  | 2    |
| 14                 | WL-014-03       | Lockwasher #6 External (SST).....  | 2    |
| 15                 | 00-411499-00004 | Buzzer (115 V.).....   | 1    |
| 16                 | SC-021-12       | Mach. Screw 6-32 x 1 Slotted Rd. Hd. (SST).....                          | 1    |
| 17                 | 00-842049       | Switch - Door.....   | 1    |
| 18                 | NS-015-13       | Nut 3/8-16 Hex (SST).....  | 1    |
| 19                 | 00-855308-00001 | Actuator Bracket - Door.....   | 1    |
| 20                 | RR-006-22       | Retaining Ring 1/4 In. (SST).....  | 2    |
| 21                 | 00-857610-00001 | Probe - Temperature.....   | 1    |
| 22                 | NS-044-09       | Nut Assy. 10-24 Hex KEPS.....  | 2    |
| 23                 | 00-857603-00001 | Thermostat - Hold.....   | 1    |
| 24                 | 00-855586-00001 | Bullet - Door.....   | 1    |
| 25                 | 00-857574-00001 | Mount - Baffle.....  | 2    |
| 26                 | SC-066-22       | Mach. Screw 10-32 x 3/8 Phil. Truss Hd. (SST).....                       | 4    |
| 27                 | 00-858725-00001 | Baffle Assy. - Exhaust.....  | 1    |
| 28                 | 00-855337-00001 | Shoulder Screw 10-32 Slotted (SST).....                                  | 4    |
| 29                 | NS-049-09       | Nut Assy. 10-32 (SST).....   | 8    |
| 30                 | 00-856720-00004 | Valve - Dual Water 4.8 - 0.75 GPM (Autofill Units Only).....             | 1    |
| 31                 | SC-066-06       | Mach. Screw 10-24 x 1/2 Phil. Truss Hd. (SST) (Autofill Units Only)..... | 2    |
| 32                 | 00-557844       | Clamp - Hose (19mm) (Autofill Units Only).....                           | 2    |
| 33                 | 00-557681       | Hose (16 In.) (Autofill Units Only).....                                 | 1    |
| 34                 | FP-090-91       | Fitting - Hose 1/2 Hose to 1/4 NPT (Brass) (Autofill Units Only).....    | 1    |
| 35                 | 00-858727       | Probe Assy. (Incls. Gasket, Washer, & Nuts) (Autofill Units Only).....   | 2    |
| 36                 | 00-857526-00001 | Cap - Vinyl (1/2 ID x 1 In.) (Autofill Units Only).....                  | 1    |
| 37                 | 00-855355-00001 | Rack - Wire (3-Pan).....   | AR   |
| 38                 | 00-855355-00002 | Rack - Wire (5-Pan).....   | AR   |

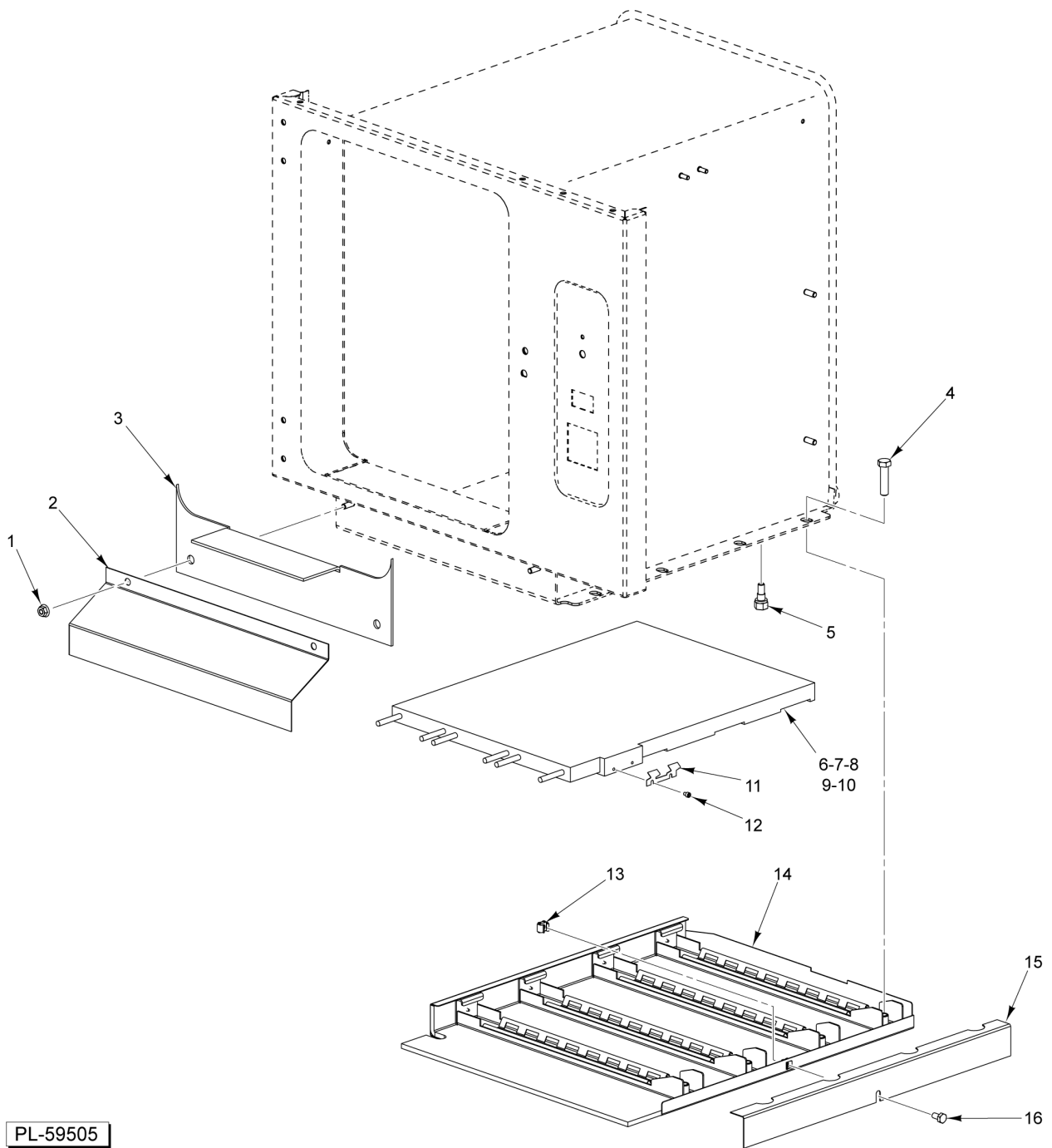


PL-59504

**DRAIN ASSEMBLY**

**DRAIN ASSEMBLY**

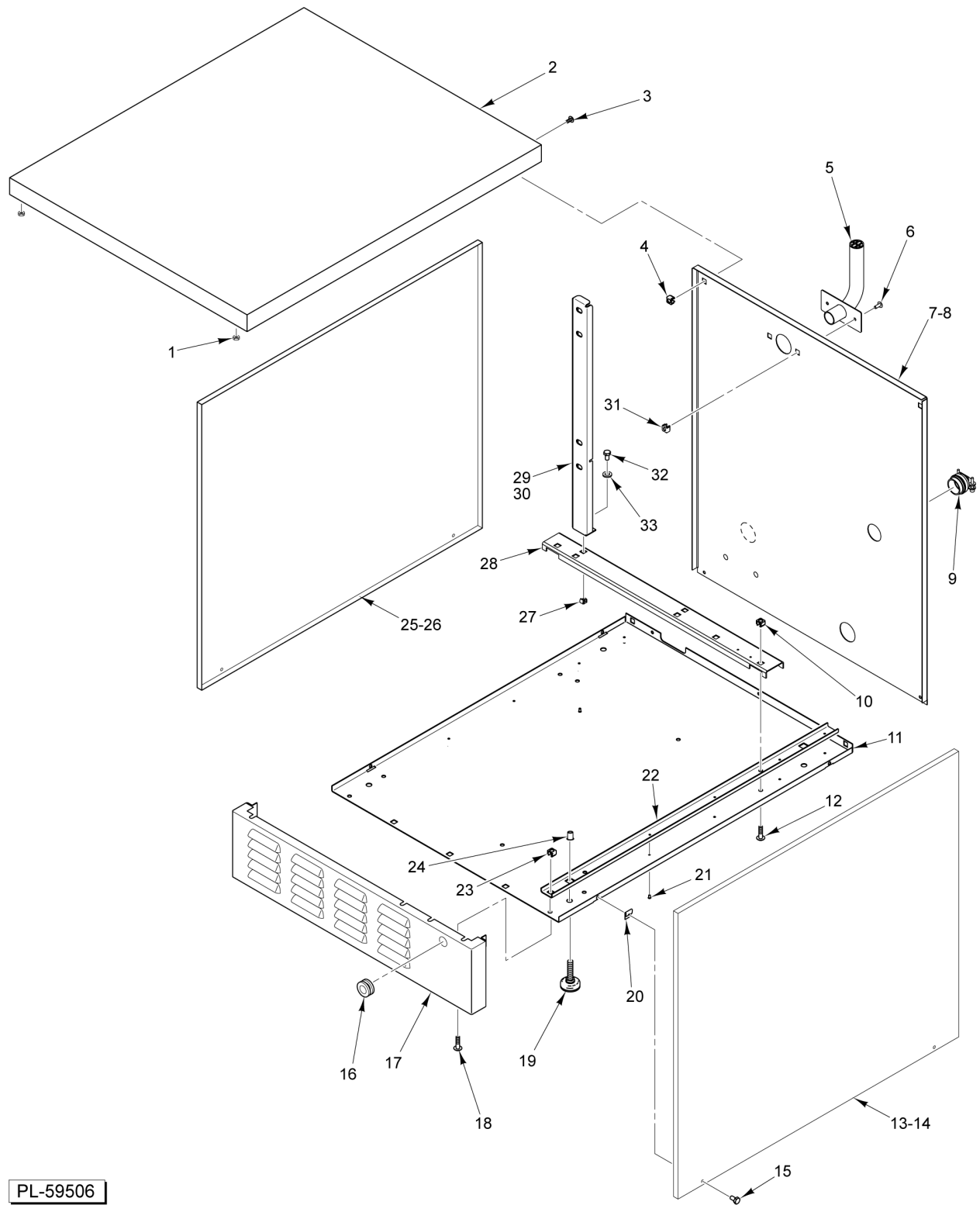
| ILLUS.   | PART NO.        | NAME OF PART                                    | AMT. |
|----------|-----------------|---|------|
| PL-59504 |                 |   |      |
| 1        | 00-856736-00001 | Cap - Handle.....                               | 1    |
| 2        | 00-856729-00001 | Handle - Drain.....                             | 1    |
| 3        | FP-040-42       | Pipe 1/2 x 1-1/8 TBE (Brass).....               | 1    |
| 4        | 00-881161       | Valve - Ball.....                               | 1    |
| 5        | FP-087-39       | Fitting - Hose 5/8 Hose to 1/2 NPT (Brass)..... | 1    |
| 6        | 00-557845       | Clamp - Hose (24mm).....                        | 1    |
| 7        | 00-557475       | Hose 5/8 ID x 0.955 OD (1.66 Ft.) (Blue).....   | AR   |
| 8        | 00-857560-00001 | Lever - Drain.....                              | 1    |
| 9        | WS-029-45       | Washer.....                                     | 1    |
| 10       | 00-855729-00001 | Pin - Cotter.....                               | 1    |
| 11       | SC-041-01       | Cap Screw 1/4-20 x 3/4 Hex Hd. (SST).....       | 2    |
| 12       | WL-006-17       | Lockwasher 1/4 Helical (SST).....               | 2    |
| 13       | 00-857561-00001 | Pivot - Drain.....                              | 1    |
| 14       | 00-857562-00001 | Spacer - Drain Pivot.....                       | 1    |
| 15       | NS-049-13       | Insert.....                                     | 2    |
| 16       | RS-030-08       | Rivet - Dome 1/8 In.....                        | 4    |



### HEATER ELEMENT AND SHIELDS

## HEATER ELEMENT AND SHIELDS

| ILLUS.   | PART NO.        | NAME OF PART                                | AMT. |
|----------|-----------------|---|------|
| PL-59505 |                 |   |      |
| 1        | NS-038-04       | Lock Nut 1/4-20.....                        | 2    |
| 2        | 00-857565-00001 | Heat Shield - Front.....                    | 1    |
| 3        | 00-857589-00001 | Insulation - Front.....                     | 1    |
| 4        | SC-041-32       | Cap Screw 3/8-16 x 1-1/2 Hex Hd. (SST)..... | 4    |
| 5        | 00-857636-00001 | Thermostat - Low Water.....                 | 1    |
| 6        | 00-913115-00001 | Kit - Heater Element 208/240V (3 Pan).....  | 1    |
| 7        | 00-913115-00002 | Kit - Heater Element 208V (5 Pan).....      | 1    |
| 8        | 00-913115-00003 | Kit - Heater Element 240V (5 Pan).....      | 1    |
| 9        | 00-913115-00004 | Kit - Heater Element 480V (5 Pan).....      | 1    |
| 10       | 00-819643-00002 | Silicone - Heatsink 13 1/2 Oz.....          | 2    |
| 11       | 00-857638-00001 | Clamp - Capillary Bulb.....                 | 1    |
| 12       | SC-040-75       | Cap Screw 6-32 x 3/16 Hex Socket Hd.....    | 2    |
| 13       | NS-049-03       | Panel Nut 1/4-20.....                       | 1    |
| 14       | 00-857608-00001 | Shield Assy. - Heat.....                    | 1    |
| 15       | 00-857564-00001 | Heat Shield - Side.....                     | 1    |
| 16       | SC-041-50       | Cap Screw 1/4-20 x 1/2 Hex Hd. (SST).....   | 1    |



PL-59506

**CABINET**

## CABINET

| ILLUS.<br>PL-59506 | PART NO.        | NAME OF PART  | AMT. |
|--------------------|-----------------|---|------|
| 1                  | NS-038-04       | Lock Nut 1/4-20.....                                | 2    |
| 2                  | 00-855547-00003 | Top Panel.....                                      | 1    |
| 3                  | SC-066-06       | Mach. Screw 10-24 x 1/2 Phil. Truss Hd. (SST).....  | 2    |
| 4                  | NS-049-01       | Panel Nut 10-24.....                                | 2    |
| 5                  | 00-857586-00001 | Vent.....   | 1    |
| 6                  | SC-066-06       | Mach. Screw 10-24 x 1/2 Phil. Truss Hd. (SST).....  | 2    |
| 7                  | 00-857588-00001 | Back Panel - Cabinet (3 Pan).....                   | 1    |
| 8                  | 00-857587-00001 | Back Panel - Cabinet (5 Pan).....                   | 1    |
| 9                  | FE-026-41       | Connector - Conduit.....                            | 2    |
| 10                 | NS-049-03       | Panel Nut 1/4-20.....                               | 2    |
| 11                 | 00-856726-00001 | Panel - Cabinet Base.....                           | 1    |
| 12                 | SC-115-70       | Mach. Screw 1/4-20 x 1 Slotted Truss Hd. (SST)..... | 2    |
| 13                 | 00-856731-00001 | Side Panel - Cabinet (3-Pan).....                   | 1    |
| 14                 | 00-856731-00002 | Side Panel - Cabinet (5-Pan).....                   | 1    |
| 15                 | SC-093-27       | Mach. Screw 10-24 x 7/8 Phil. Truss Hd. (SST).....  | 4    |
| 16                 | FE-025-79       | Bushing - Snap (Electric).....                      | 1    |
| 17                 | 00-855314-00001 | Apron - Cabinet.....                                | 1    |
| 18                 | SC-066-06       | Mach. Screw 10-24 x 1/2 Phil. Truss Hd. (SST).....  | 2    |
| 19                 | 00-856760-00001 | Leg - Leveling (Counter Top).....                   | 4    |
| 20                 | 00-854766-00001 | Nut - Speed 3 Type.....                             | 4    |
| 21                 | RS-030-08       | Rivet - Dome 1/8 In.....                            | 8    |
| 22                 | 00-856738-00001 | Channel - Cabinet Base.....                         | 2    |
| 23                 | NS-049-03       | Panel Nut 1/4-20.....                               | 2    |
| 24                 | 00-857508-00001 | Insert 3/16-16.....                                 | 4    |
| 25                 | 00-856731-00001 | Side Panel - Cabinet (3-Pan).....                   | 1    |
| 26                 | 00-856731-00002 | Side Panel - Cabinet (5-Pan).....                   | 1    |
| 27                 | NS-049-03       | Panel Nut 1/4-20.....                               | 2    |
| 28                 | 00-857566-00001 | Cross Channel - Base (Cabinet).....                 | 1    |
| 29                 | 00-856747-00001 | Support Channel - Cabinet (3-Pan).....              | 2    |
| 30                 | 00-856747-00002 | Support Channel - Cabinet (5-Pan).....              | 2    |
| 31                 | NS-049-01       | Panel Nut 10-24.....                                | 2    |
| 32                 | SC-041-50       | Cap Screw 1/4-20 x 1/2 Hex Hd. (SST).....           | 2    |
| 33                 | WL-006-17       | Lockwasher 1/4 Helical (SST).....                   | 2    |

