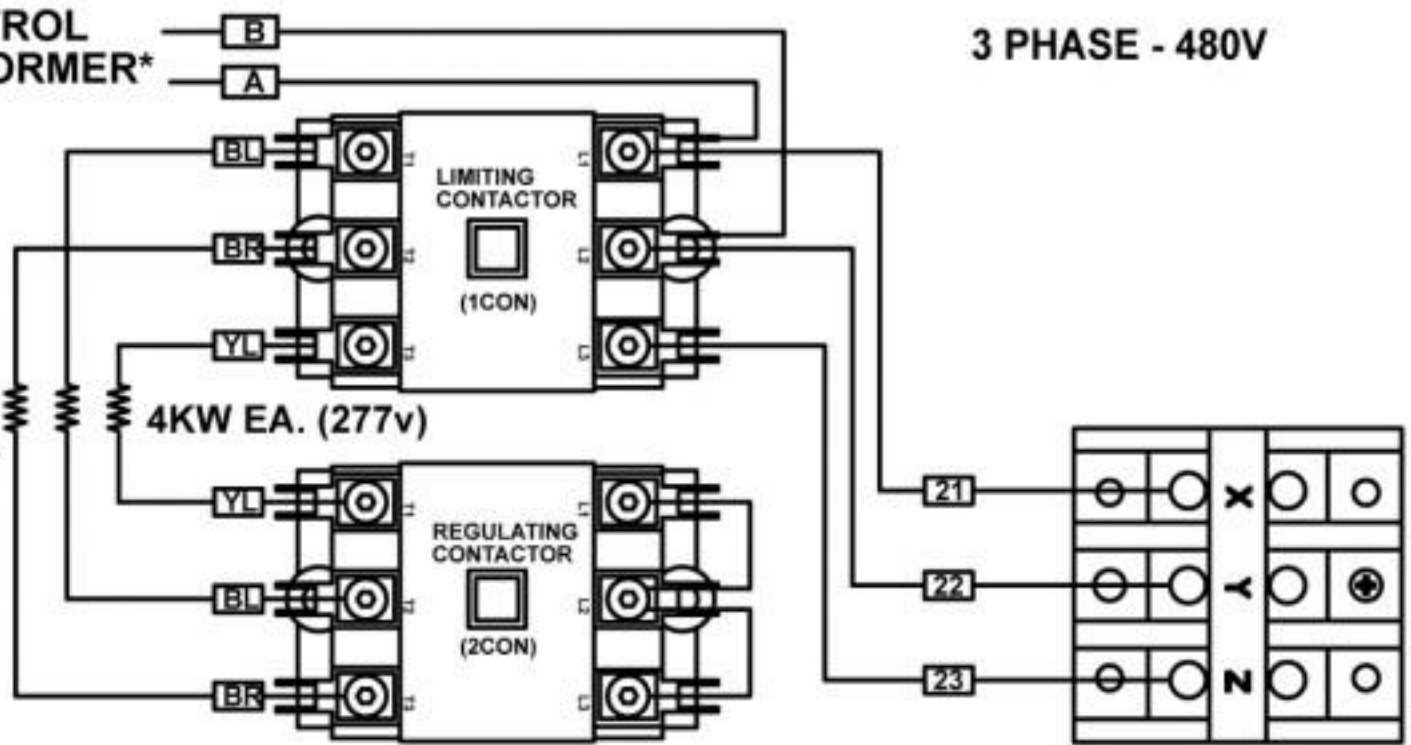


TO CONTROL
TRANSFORMER*

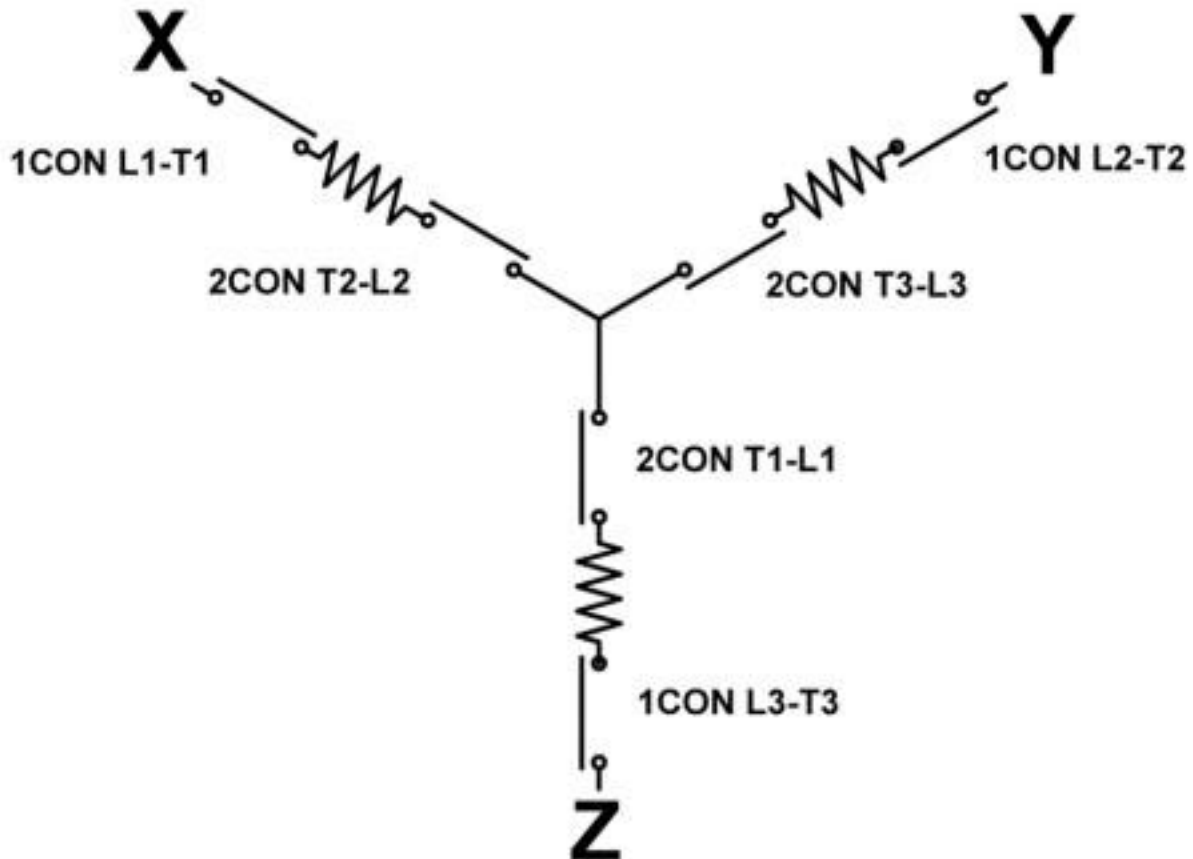
3 PHASE - 480V

HEATING
ELEMENTS

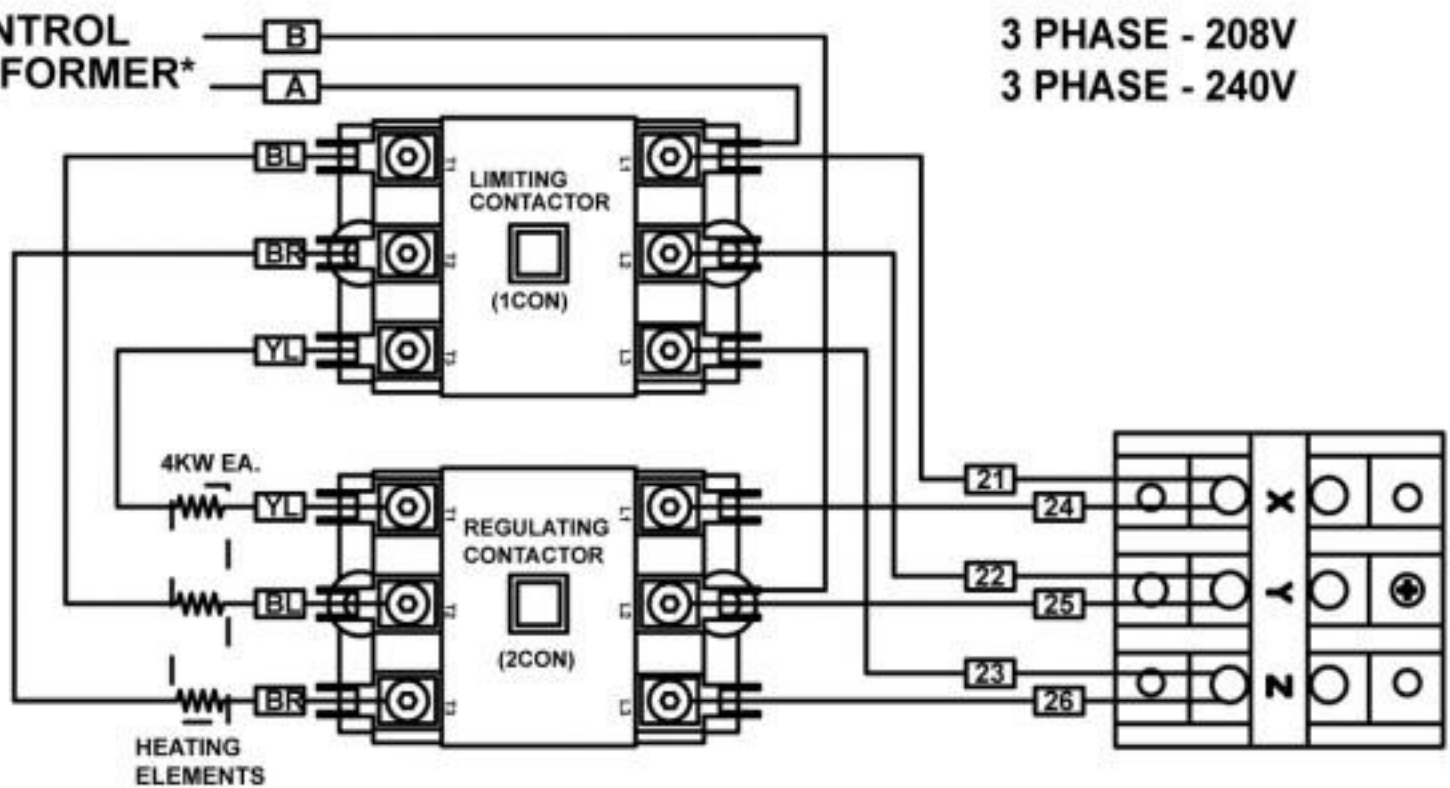


*PRIMARY TAPS OF CONTROL TRANSFORMER MUST BE CONNECTED
ACCORDING TO THE APPLIANCE DATA PLATE VOLTAGE MARKING AND
ACTUAL CONNECTED SUPPLY

5 PAN

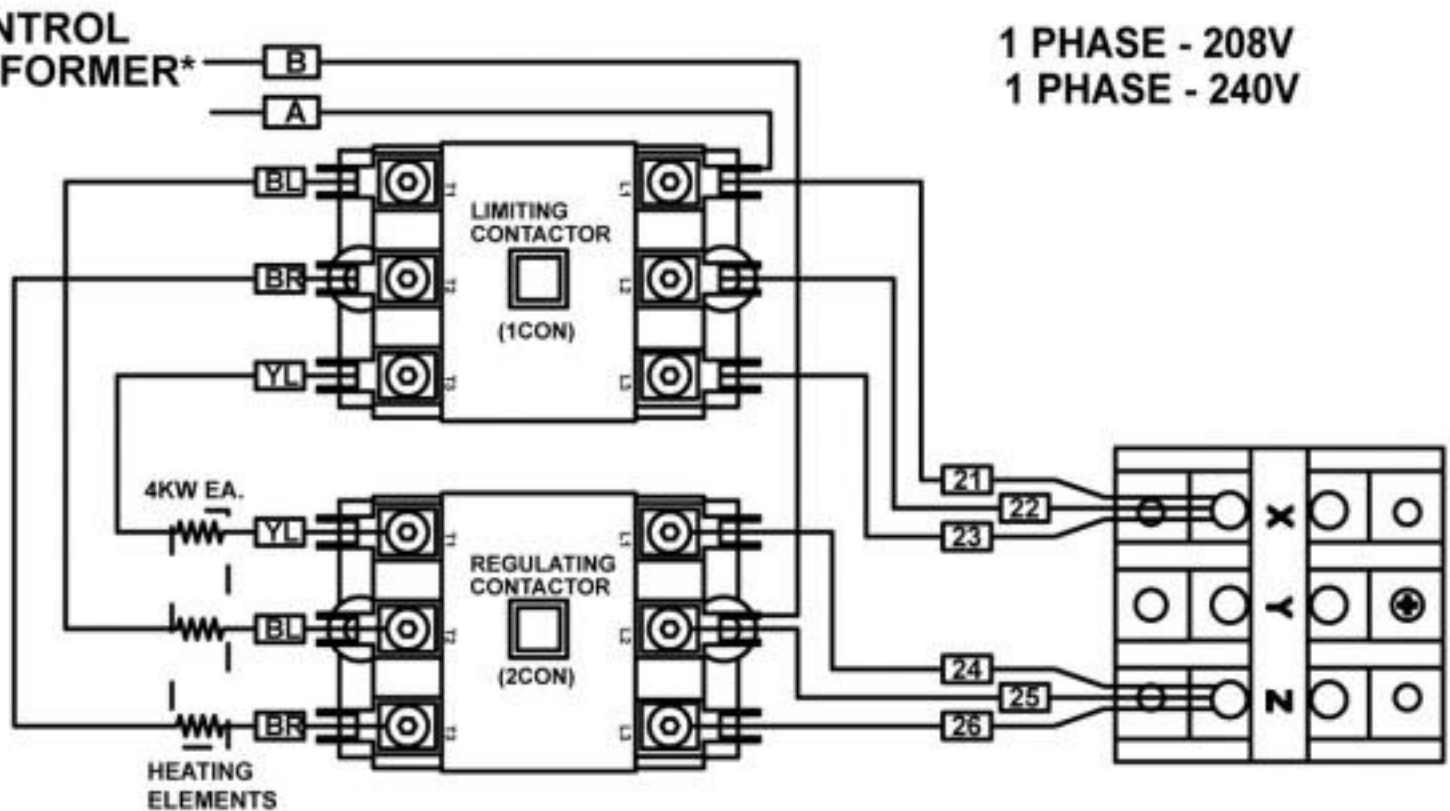


TO CONTROL
TRANSFORMER*



5 PAN

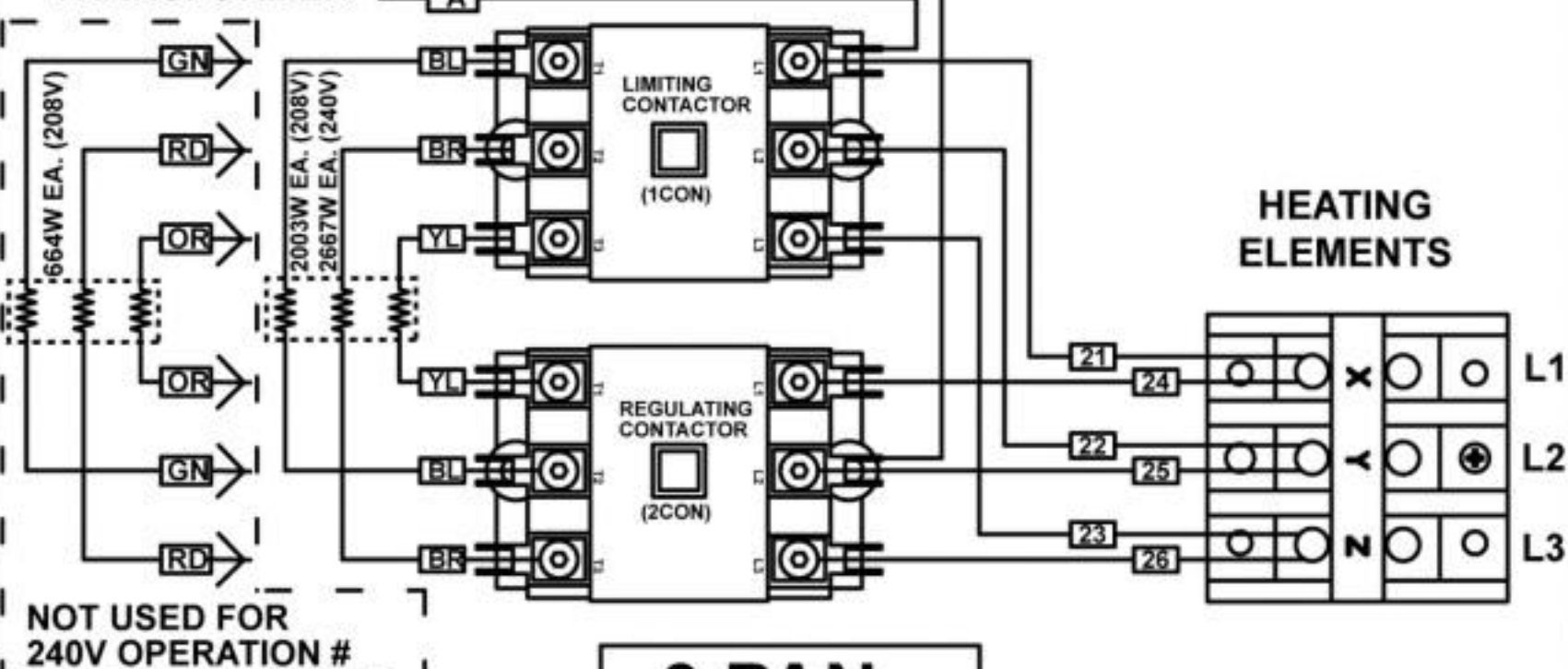
TO CONTROL
TRANSFORMER*



TERMINALS OF CONTROL TRANSFORMER MUST BE CONNECTED

TO CONTROL
TRANSFORMER*

3 PHASE - 208/240V



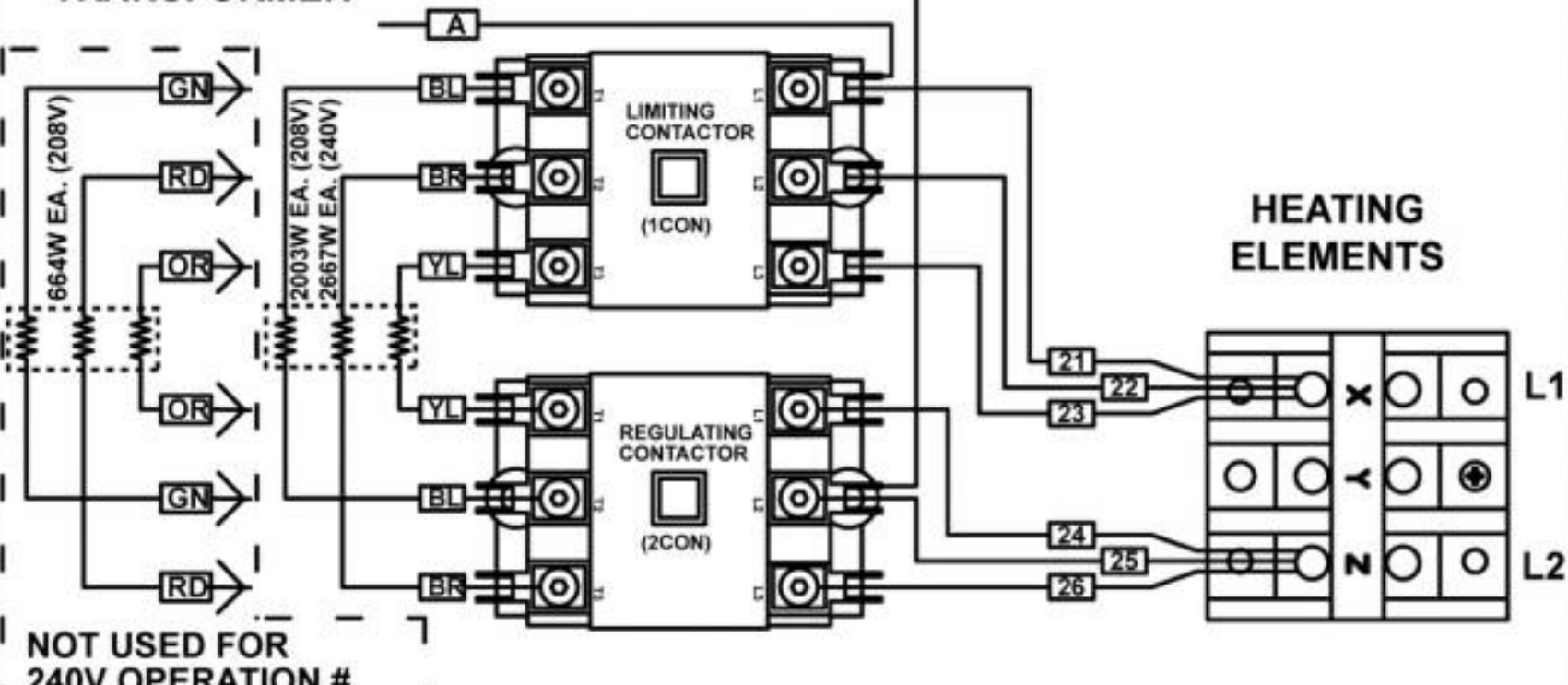
3 PAN

HEATING
ELEMENTS

L1
L2
L3

TO CONTROL
TRANSFORMER*

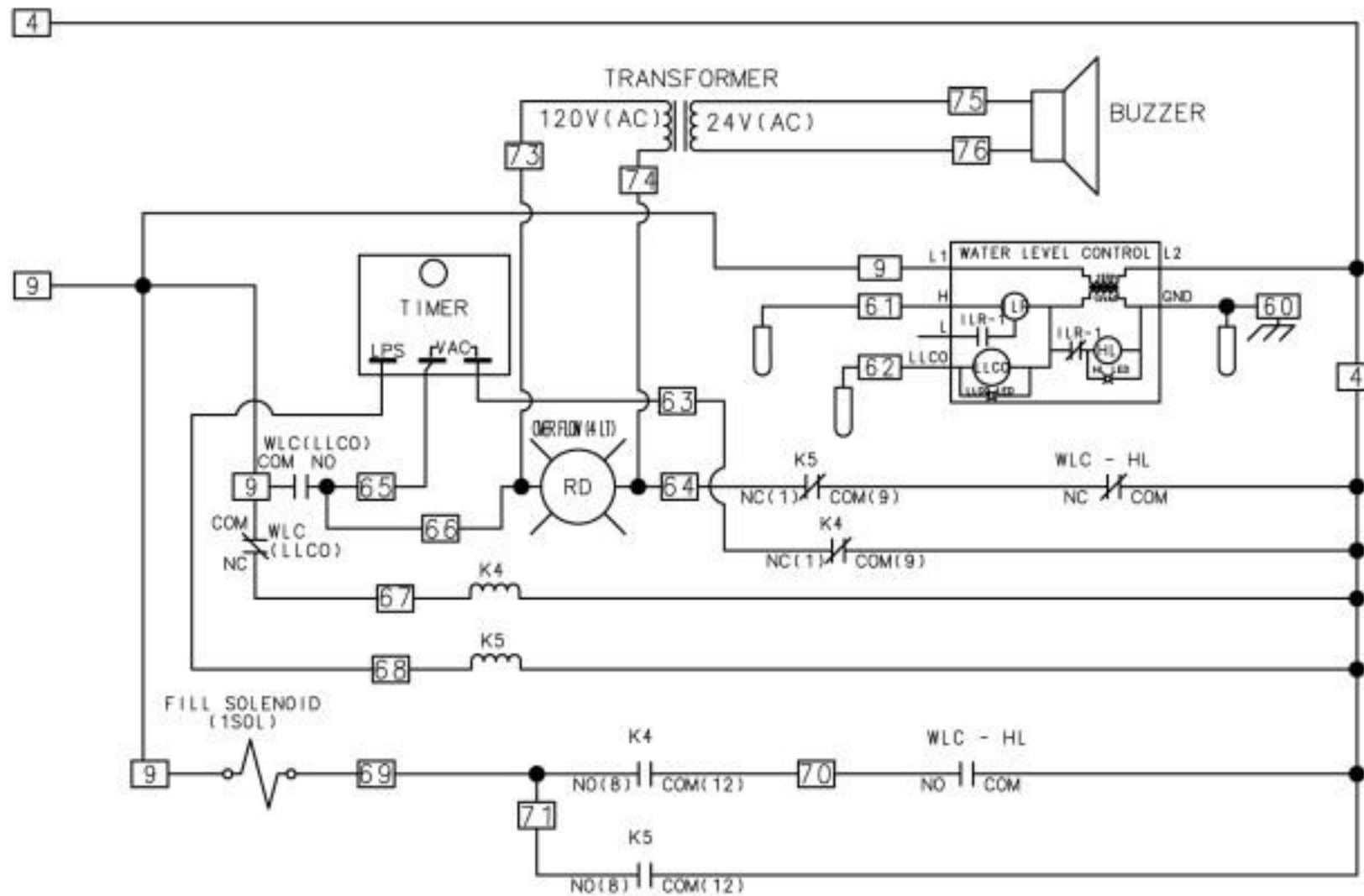
1 PHASE - 208/240V



NOT USED FOR
240V OPERATION #

HEATING
ELEMENTS

L1
L2



PRIMARY TAPS OF CONTROL TRANSFORMER MUST BE CONNECTED ACCORDING TO THE APPLIANCE DATA PLATE AND THE ACTUAL CONNECTED SUPPLY

