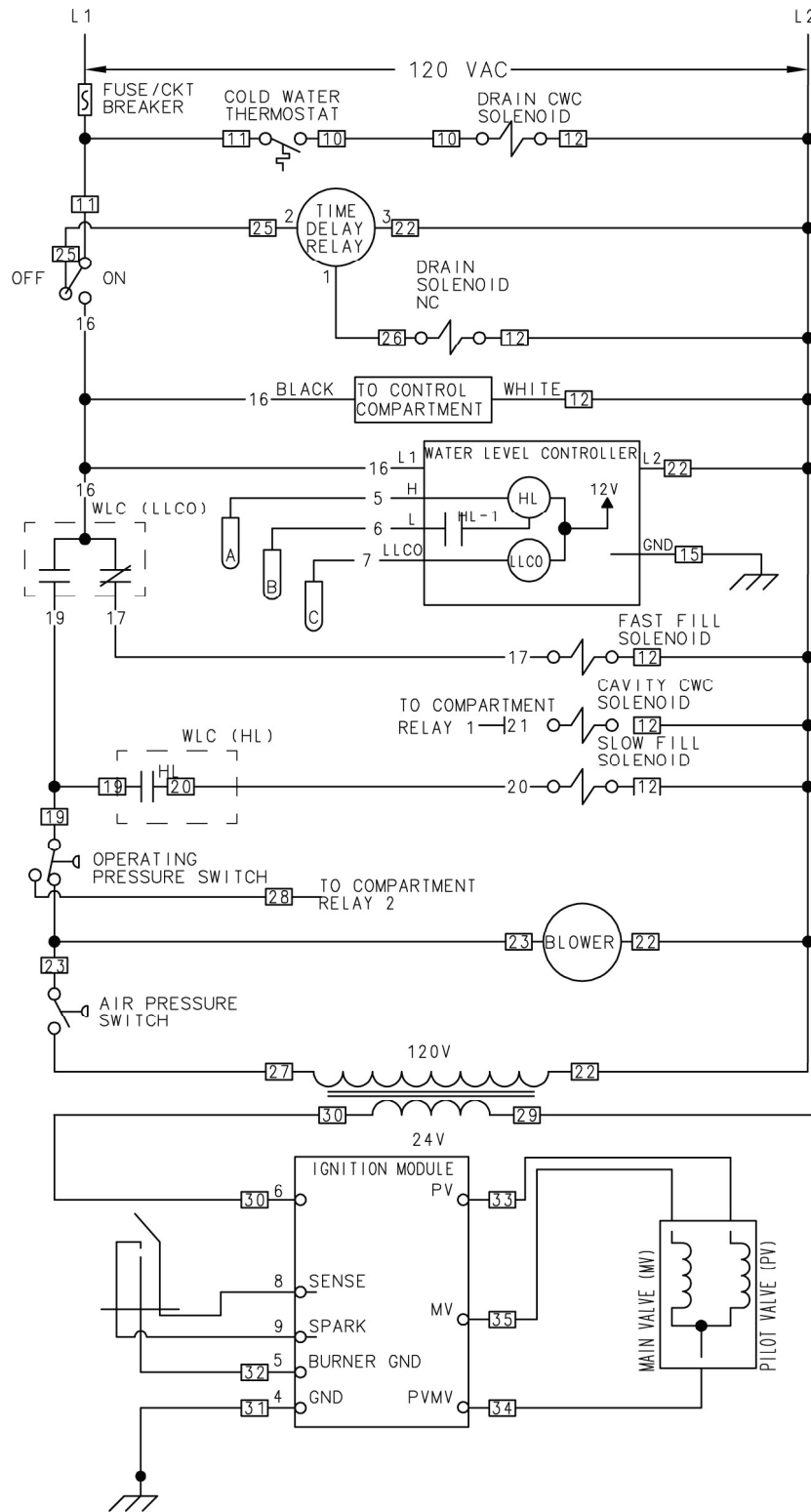


**SCHEMATICS AND DIAGRAMS**



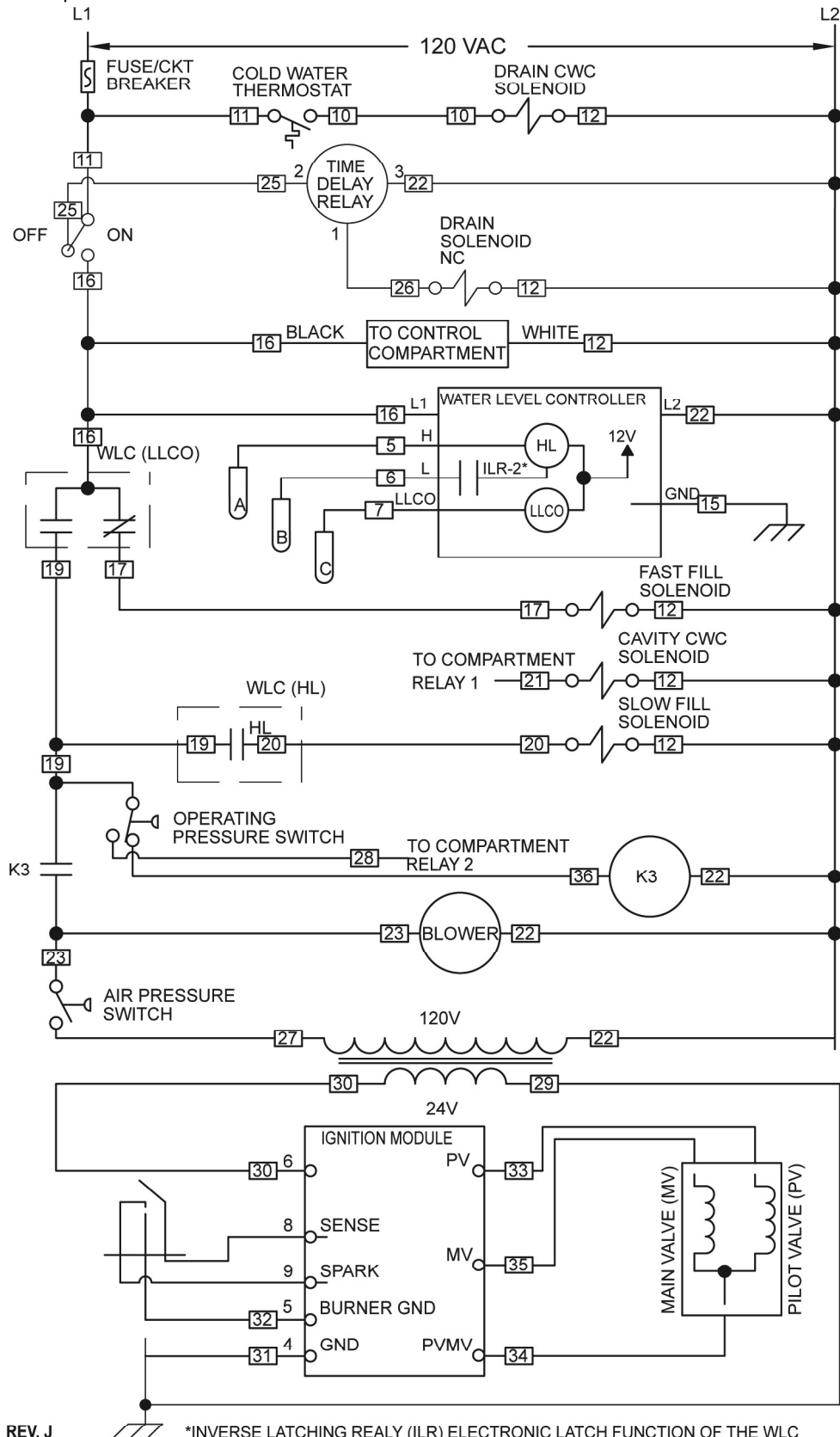
DERIVED FROM WIRE DIAGRAM 855693 Rev H

AI4865

**UNITS WITH NO K3 RELAY**

**NOTE:** Starting with production Serial No. 463008610 and higher will have blower control relay (K3) installed.

C24GA 6&10 production gas steamers will begin using a blower control relay (K3) to carry blower motor current instead of the pressure switch contacts.



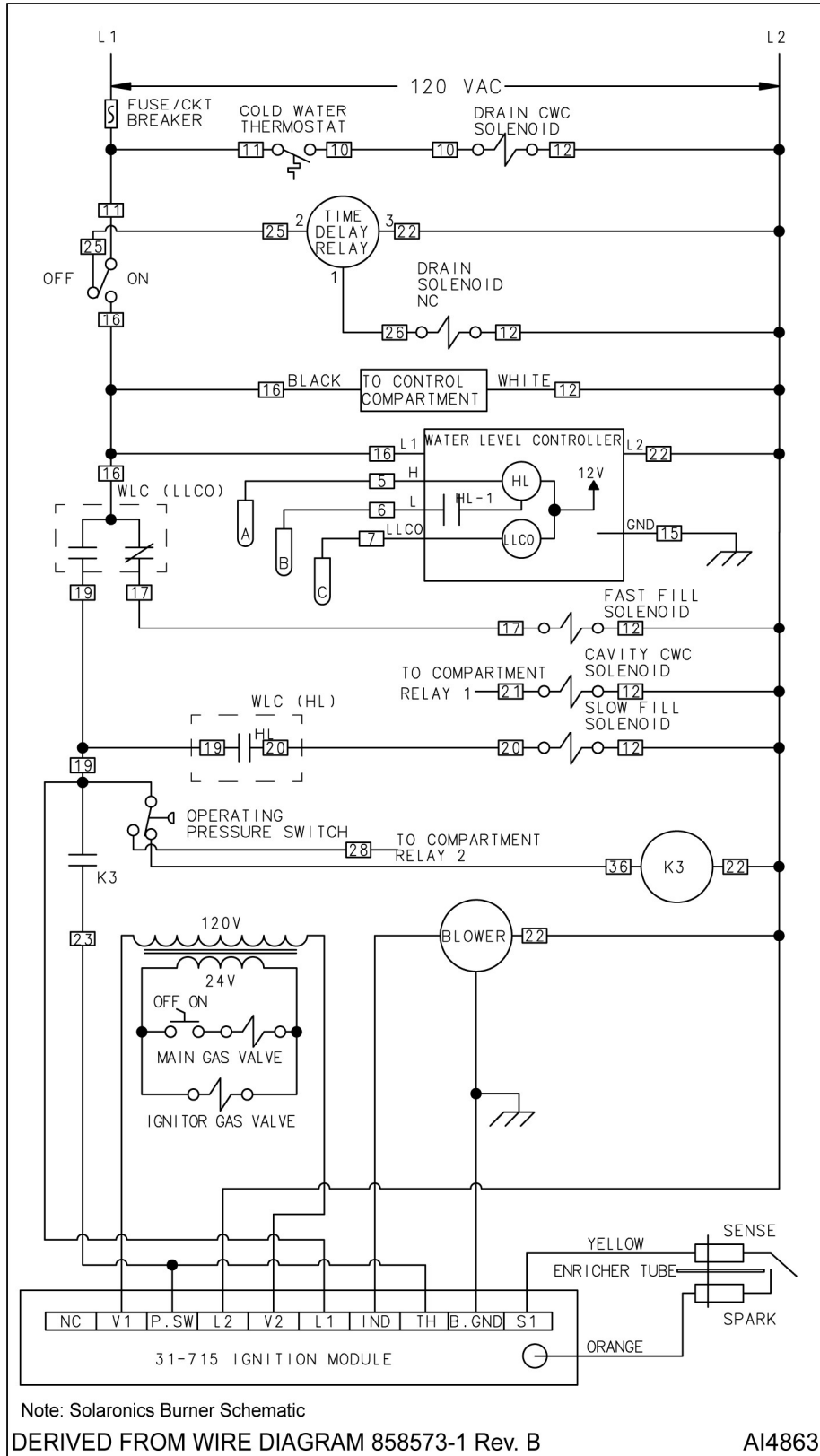
855693-1 REV. J

\*INVERSE LATCHING REALY (ILR) ELECTRONIC LATCH FUNCTION OF THE WLC

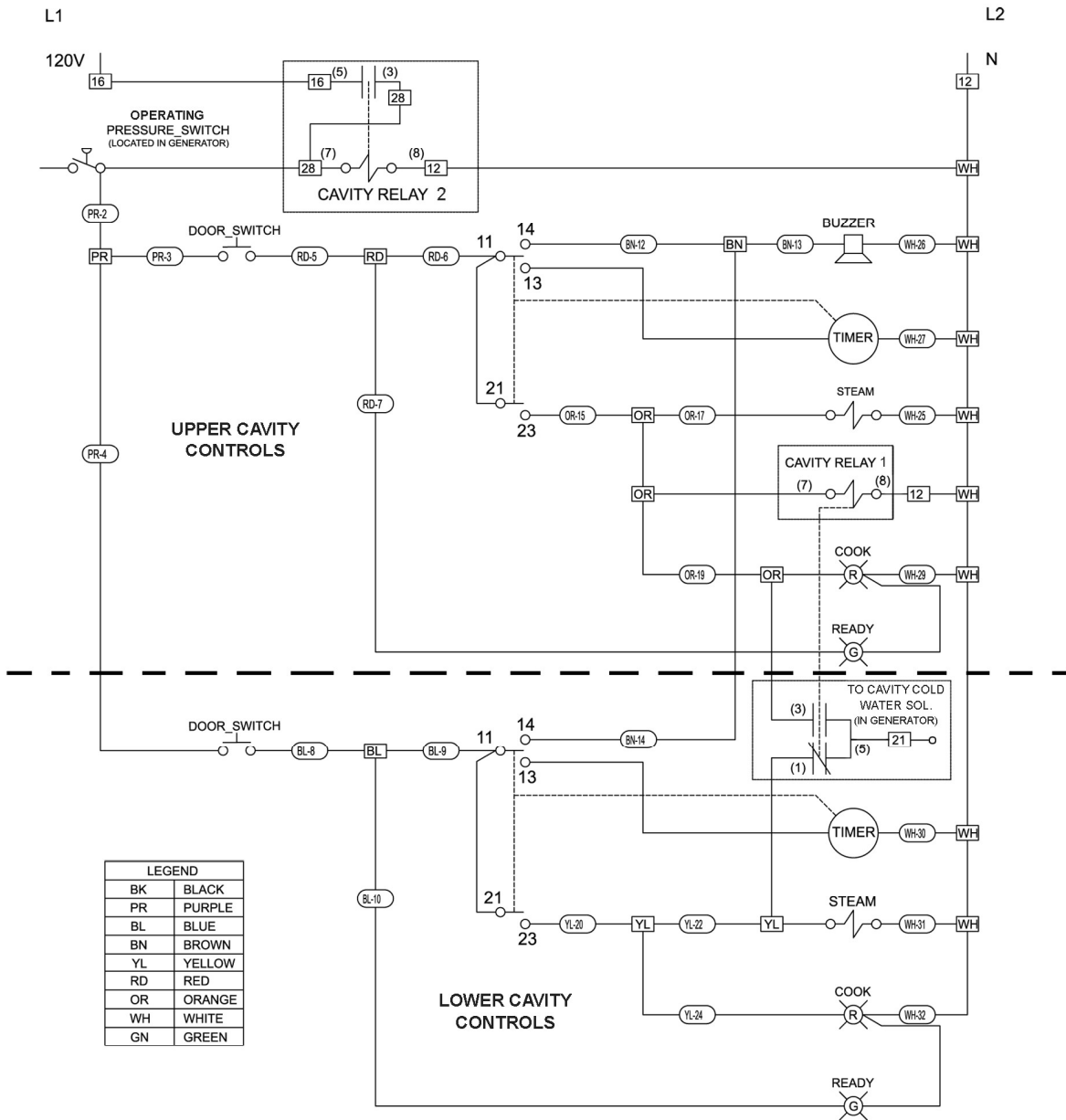
AI2947

**UNITS WITH K3 RELAY AND 1ST GENERATION BURNER ASSEMBLY**

**NOTE:** Production units starting with Serial Number 463024850 have a Solaronics Burner assembly.

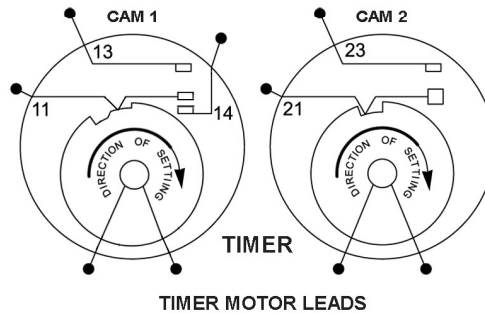
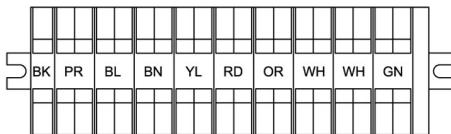


**UNITS WITH K3 RELAY AND SOLARONICS BURNER ASSEMBLY**



**TIMER NOTE**

WHEN TIMER IS RUNNING, CONTACTS 11/13 AND 21/23 ARE CLOSED.  
 WHEN TIMER IS AT ZERO, CONTACTS 11/13 AND 21/23 RETURN TO OPEN STATE AND CONTACTS 11/14 ARE CLOSED.  
 WHEN TIMER IS AT CONSTANT, ONLY CONTACTS 21/23 ARE CLOSED.

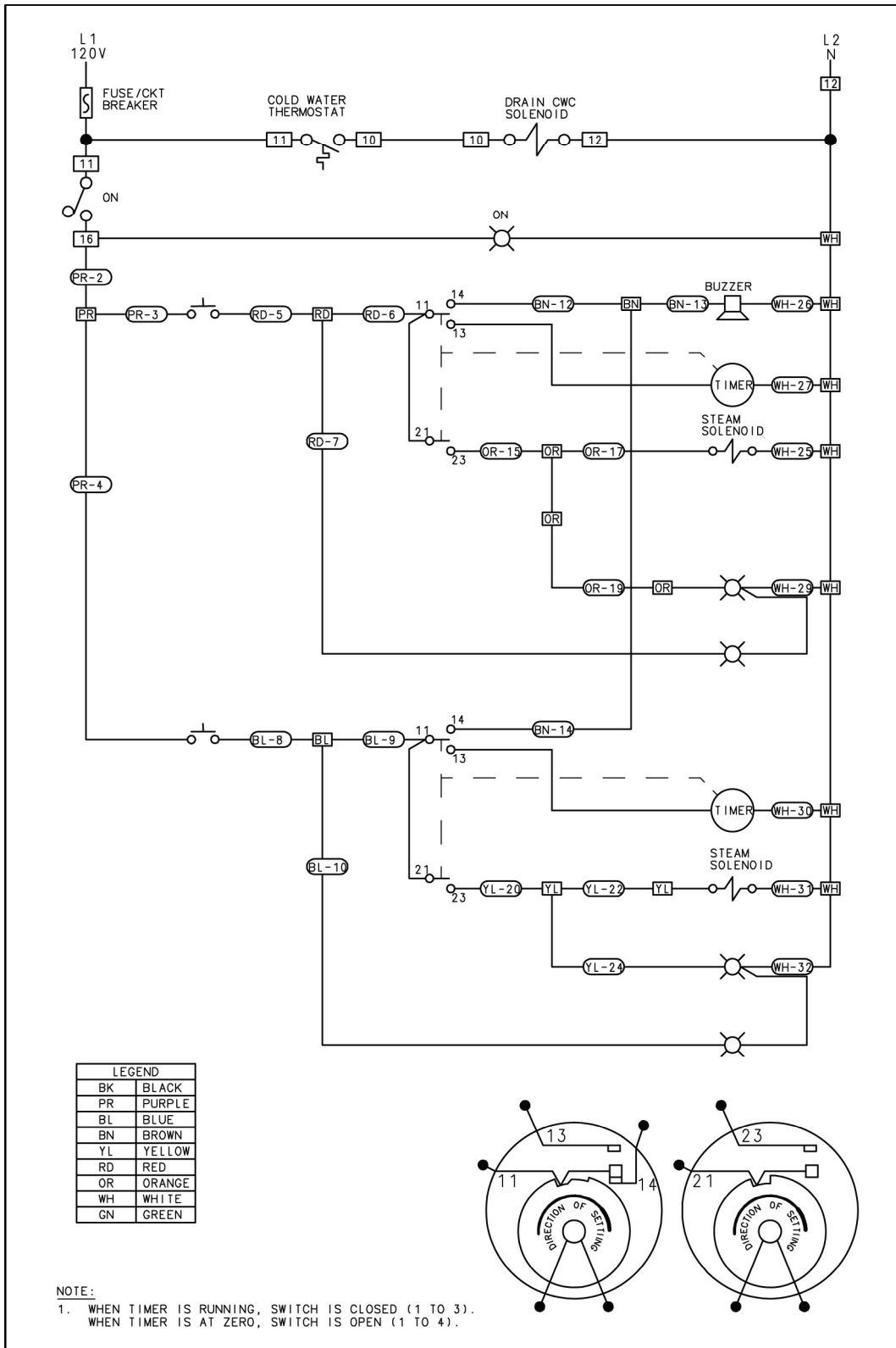


DERIVED FROM: 856656-1

22851

**COMPARTMENT CONTROLS**

C24GA AND C24DA SERIES CONVECTION STEAMER - ELECTRICAL OPERATION



Derived from  
00-857806 Rev B

AI4800

C24DA6 and C24DA10