

CATALOG OF REPLACEMENT PARTS CHALLENGER XL AND ENDURANCE SERIES GAS RANGES

ITW Food Equipment Group

VULCAN



MODELS

24S	48S	60
C24S	C48S	C60
G24S	G48S	G60
	C48SS	60SC
36S	G48SS	72
C36S	48C	C72
G36S	C48C	G72
36C	G48C	72SC
C36C		
G36C		



For additional information on Vulcan-Hart Company or to locate an authorized parts and service provider in your area, visit our website at www.vulcanequipment.com

Table of Contents

5	ORIFICE CHART BEFORE AUG 2011
7	RANGE BODY AND PANELS (24 SERIES)
9	RANGE BODY AND PANELS (36 SERIES)
11	RANGE BODY AND PANELS (60 SERIES WITH GRIDDLE/BROILER)
13	RANGE BODY AND PANELS (60 SERIES)
15	RANGE BODY AND PANELS (72 SERIES)
17	DOOR ASSEMBLY (WOLF RANGES)
19	DOOR ASSEMBLY (VULCAN RANGES)
21	OPEN TOP BURNER (WITH PILOT)
23	OPEN TOP BURNER (WITH FLASH TUBE)
25	OPEN TOP BURNER MODULE (12 INCH ASSEMBLY)
27	OPEN TOP BURNER MODULE (24 INCH ASSEMBLY)
29	OPEN TOP BURNER MODULE (36 INCH ASSEMBLY)
31	GRIDDLE/BROILER TOP MODULE
33	THERMOSTAT GRIDDLE CONTROL ASSEMBLY (24 INCH UNITS)
35	THERMOSTAT GRIDDLE CONTROL ASSEMBLY (36 INCH UNITS)
37	CONVECTION OVEN CONTROL BRACKET (BEFORE 3/11/2010)
39	CONVECTION OVEN CONTROL BRACKET (ON OR AFTER 3/11/2010)
41	STANDARD OVEN CONTROL BRACKET
43	OVEN BURNER ASSEMBLY
45	STANDARD OVEN MODULE (24 SERIES)
47	CONVECTION OVEN MODULE (24 SERIES)
49	STANDARD OVEN MODULE (36 SERIES)
51	CONVECTION OVEN MODULE (36 SERIES) (ON OR AFTER 3/10/2010)
53	GRIDDLE TOP MODULE (12 INCH UNIT)
55	GRIDDLE TOP MODULE (24 INCH UNIT)
57	GRIDDLE TOP MODULE (36 INCH UNIT)
59	OPEN TOP BURNER MANIFOLD ASSEMBLIES
61	CONVECTION MOTOR ASSEMBLY (24 INCH UNIT)
63	CONVECTION MOTOR ASSEMBLY (30 INCH UNIT)
65	CONVECTION MOTOR ASSEMBLY (FB) (30 INCH UNIT)
67	STEP-UP BURNERS - ML STEP-UP (12 IN.) (VULCAN)
69	STEP-UP BURNERS - ML-137209-00HTV HOT TOP MODULE (12 IN.) (VULCAN)
71	STEP-UP BURNERS - ML-137210-0001V HOT TOP MODULE (24 IN.) (VULCAN)
73	STEP-UP BURNERS - ML-137211-00HTV HOT TOP MODULE (36 IN.) (VULCAN)
75	STEP-UP BURNERS - ML-137251-000HT HOT TOPS

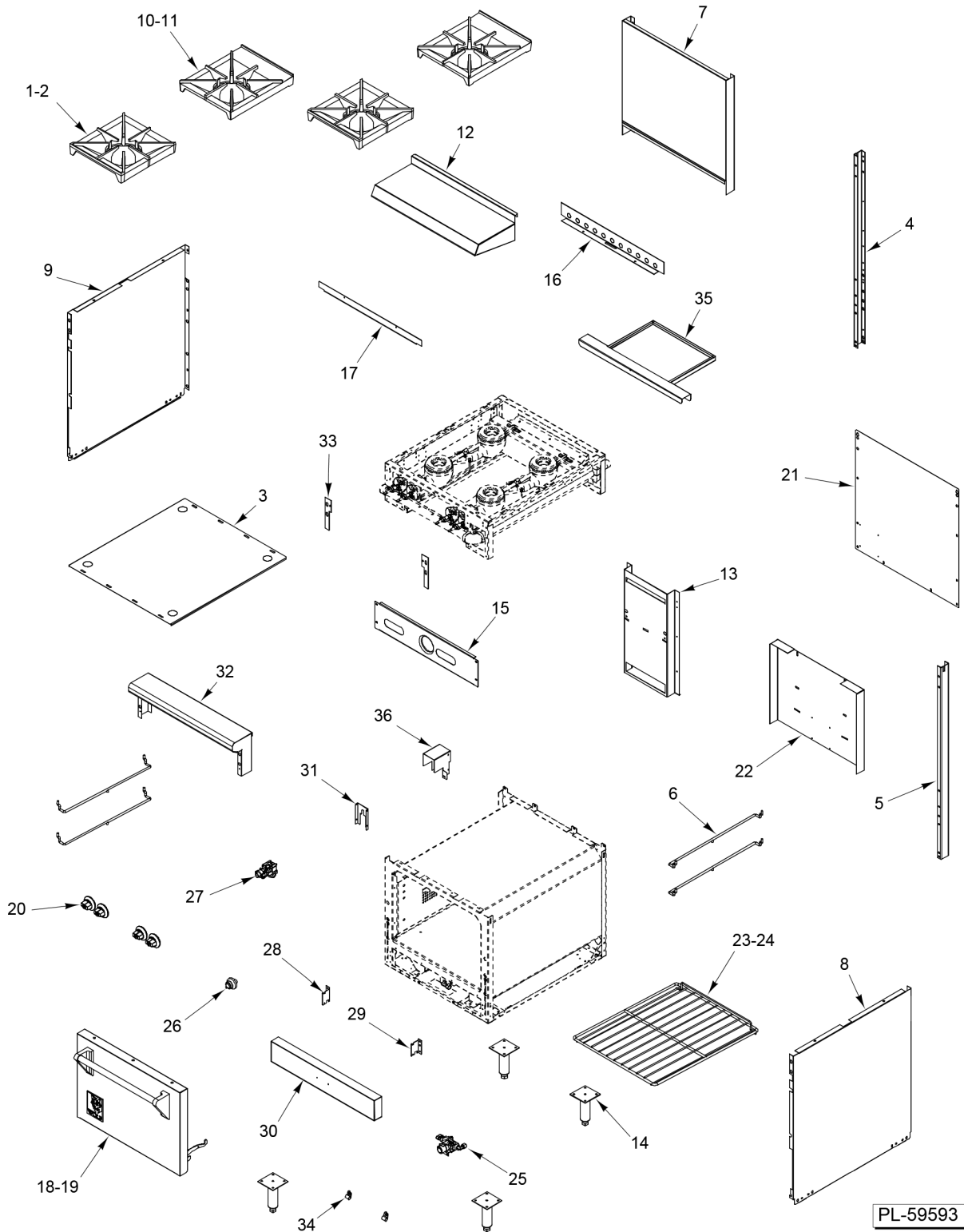
<p style="text-align: center;">All orifices use the following base part number 00-719951-000xx Find the device, gas type, and elevation (e.g. the orifice for the Hot Top, propane, 2000-3999 elevation would use 00-719951-00059)</p>													
COP	DEVICE	BTU	0		2		4		6		8		
			1	2	3	4	5	6	7	8	9	10	
		NAT	PRO	NAT	PRO	NAT	PRO	NAT	PRO	NAT	PRO	NAT	
		0 TO 1999	0 TO 1999	2000 TO 3999	2000 TO 3999	4000 TO 5999	4000 TO 5999	6000 TO 7999	6000 TO 7999	8000 TO 9999	8000 TO 9999	8000 TO 9999	
	OPEN TOP BURNER	30,000	27,500	30,000	27,500	42	53	43	54	43	54	46	55
	ALL GRIDDLES	20,000	20,000	20,000	20,000	45	54	47	54	47	54	49	56
	STANDARD OVEN 30"	35,000	32,000	35,000	32,000	36	51	38	52	39	52	42	53
	CONVECTION OVEN 30"	32,000	32,000	32,000	32,000	36	51	36	52	37	52	41	53
	STANDARD OVEN 24"	25,000	25,000	25,000	25,000	43	53	44	54	45	54	47	55
	CONVECTION OVEN 24"	25,000	25,000	25,000	25,000	42	53	43	54	43	54	46	55
	HOT TOP	14,000	14,000	14,000	14,000	51	57	52	59	52	60	53	63
	GRIDDLE/BROILER	10,000	10,000	10,000	10,000	55	64	56	65	56	66	57	68

ORIFICE CHART

ORIFICE CHART BEFORE AUG 2011

ORIFICE CHART BEFORE AUG 2011

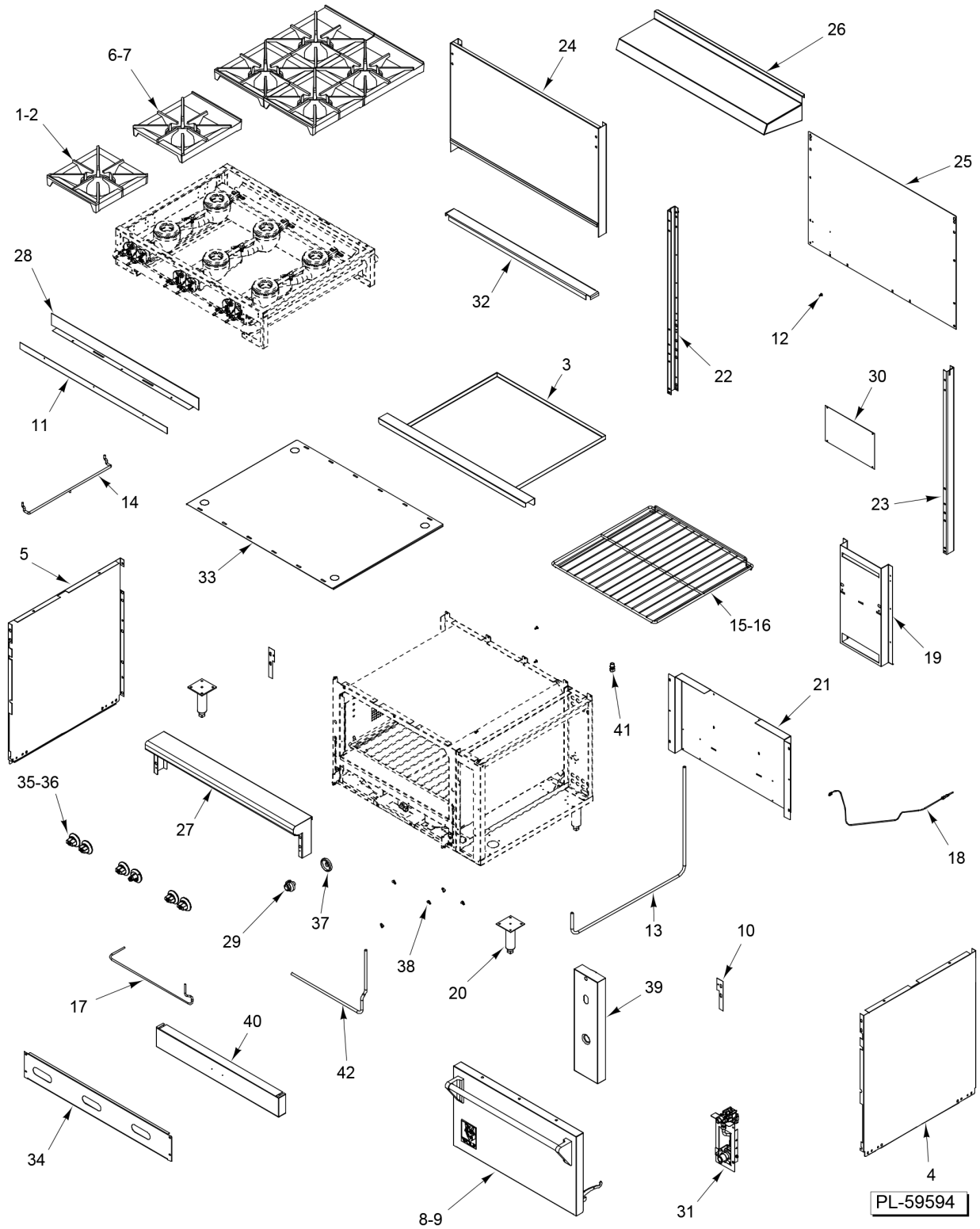
ILLUS.	PART NO.	NAME OF PART	AMT.
PL-F43234	O CHART		
	00-719951-00036	Hood - Orifice (Drill 36).....	AR
	00-719951-00037	Hood - Orifice (Drill 37).....	AR
	00-719951-00038	Hood - Orifice (Drill 38).....	AR
	00-719951-00039	Hood - Orifice (Drill 39).....	AR
	00-719951-00040	Hood - Orifice (Drill 40).....	AR
	00-719951-00041	Hood - Orifice (Drill 41).....	AR
	00-719951-00042	Hood - Orifice (Drill 42).....	AR
	00-719951-00043	Hood - Orifice (Drill 43).....	AR
	00-719951-00044	Hood - Orifice (Drill 44).....	AR
	00-719951-00045	Hood - Orifice (Drill 45).....	AR
	00-719951-00046	Hood - Orifice (Drill 46).....	AR
	00-719951-00047	Hood - Orifice (Drill 47).....	AR
	00-719951-00048	Hood - Orifice (Drill 48).....	AR
	00-719951-00049	Hood - Orifice (Drill 49).....	AR
	00-719951-00051	Hood - Orifice (Drill 51).....	AR
	00-719951-00052	Hood - Orifice (Drill 52).....	AR
	00-719951-00053	Hood - Orifice (Drill 53).....	AR
	00-719951-00054	Hood - Orifice (Drill 54).....	AR
	00-719951-00055	Hood - Orifice (Drill 55).....	AR
	00-719951-00056	Hood - Orifice (Drill 56).....	AR
	00-719951-00057	Hood - Orifice (Drill 57).....	AR
	00-719951-00059	Hood - Orifice (Drill 59).....	AR
	00-719951-00060	Hood - Orifice (Drill 60).....	AR
	00-719951-00061	Hood - Orifice (Drill 61).....	AR
	00-719951-00063	Hood - Orifice (Drill 63).....	AR
	00-719951-00064	Hood - Orifice (Drill 64).....	AR
	00-719951-00065	Hood - Orifice (Drill 65).....	AR
	00-719951-00066	Hood - Orifice (Drill 66).....	AR
	00-719951-00067	Hood - Orifice (Drill 67).....	AR
	00-719951-00068	Hood - Orifice (Drill 68).....	AR



**RANGE BODY AND PANELS
(24 SERIES)**

**RANGE BODY AND PANELS
(24 SERIES)**

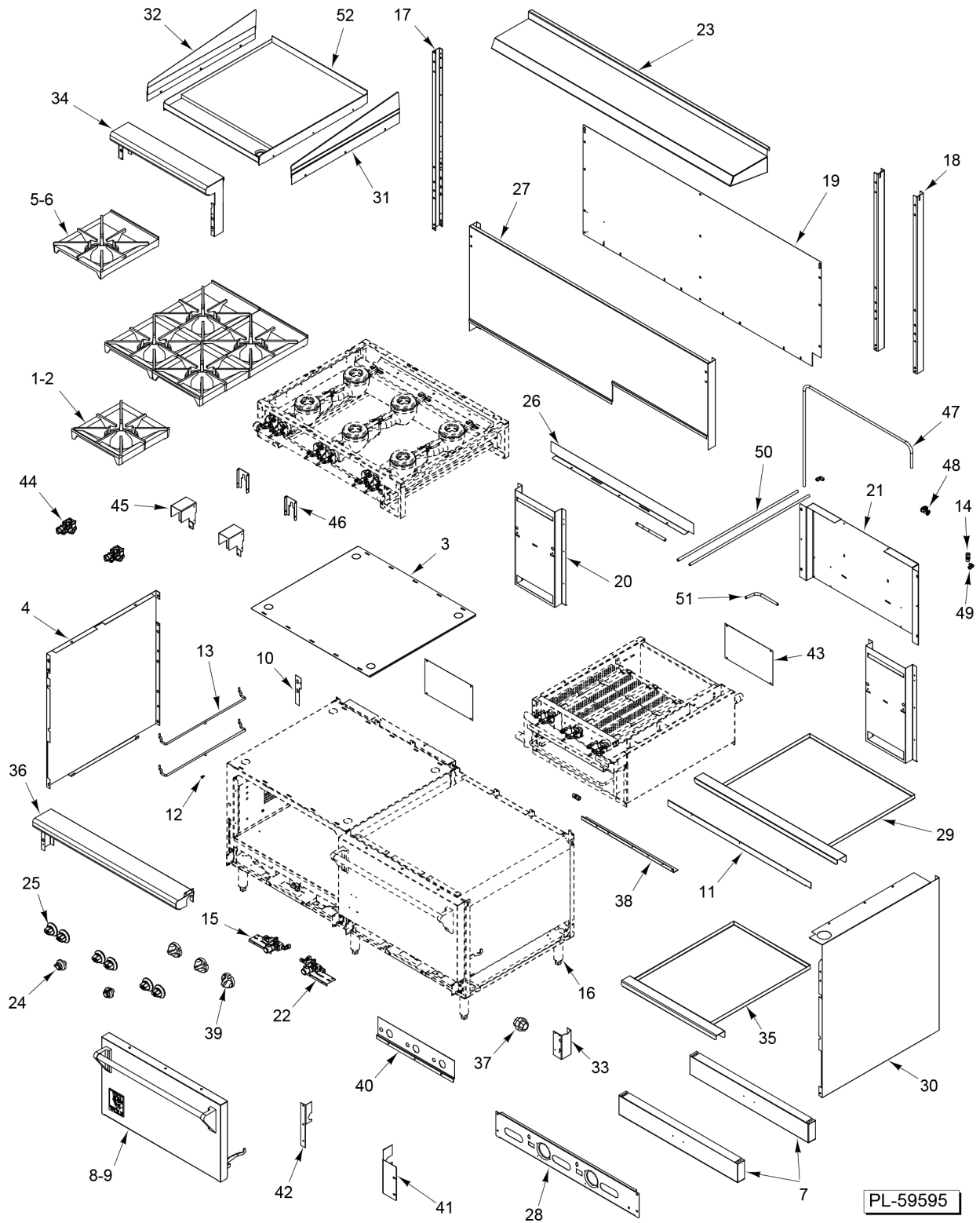
ILLUS.	PART NO.	NAME OF PART	AMT.
PL-59593			
1	00-925000	Grate - Front (Wolf).....	2
2	00-925028	Grate - Front (Vulcan).....	2
3	00-923518	Support - Insulation (Cover).....	1
4	00-921051	Bayonet Back Channel (LH).....	1
5	00-921052	Bayonet Back Channel (RH).....	1
6	00-921064	Guide - Rack.....	4
7	00-923507	Back Splash - Front (24 In.).....	1
8	00-921047	Side Panel - Right.....	1
9	00-921048	Side Panel - Left.....	1
10	00-925001	Grate - Rear (Wolf).....	2
11	00-925029	Grate - Rear (Vulcan).....	2
12	00-923506-0000A	Top Shelf Assy.....	1
13	00-921083	Back Flue Channel.....	1
14	00-413112-00012	Leg - Adjustable (6 In.) (SST).....	4
15	00-924522	NLA - Obsolete--Manifold Cover (24 In.) (T-Stat).....	1
16	00-924518	Heat Shield Rear (24 In.).....	1
17	00-924520	Front Heat Shield (24 In.).....	1
18	00-922065-0000A	Door Assy. (24 In.) (Wolf).....	1
19	00-922066-0000A	Door Assy. (24 In.) (Vulcan).....	1
20	00-719255-00012	Knob - Red (Wolf).....	4
21	00-923525	Panel - Back (24 In.).....	1
22	00-921786	Flue - Rear (24 In.).....	1
23	00-923508-0000A	Oven Rack (24 In.) (Standard).....	1
24	00-921634-0000A	Oven Rack (24 In.) (Convection).....	1
25	00-497765-00002	Valve - Safety.....	1
26	00-922012	Knob - BJ Thermostat.....	1
27	00-922020	BJ Thermostat.....	1
28	00-921203	Hinge - Kick Panel (LH).....	1
29	00-921204	Hinge - Kick Panel (RH).....	1
30	00-921305-0000A	Vulcan Kick Panel Assy. (24 In.).....	1
31	00-921014	NLA - Obsolete--Cover - Back (BJ Valve).....	1
32	00-925490	Bull Nose Assy. (24 In.).....	1
33	00-921058	Gasket - Bullnose.....	2
34	00-402558-00004	Clip - Tubing.....	5
35	00-921142-0000A	Crumb Tray Assy. (24 In.).....	1
36	00-921013	Cover - Valve (BJ).....	1
	00-497001-00001	Caster W/O Brake (5 In.).....	AR
	00-497001-00002	Caster W/ Brake, Swivel (5 In.).....	AR



**RANGE BODY AND PANELS
(36 SERIES)**

**RANGE BODY AND PANELS
(36 SERIES)**

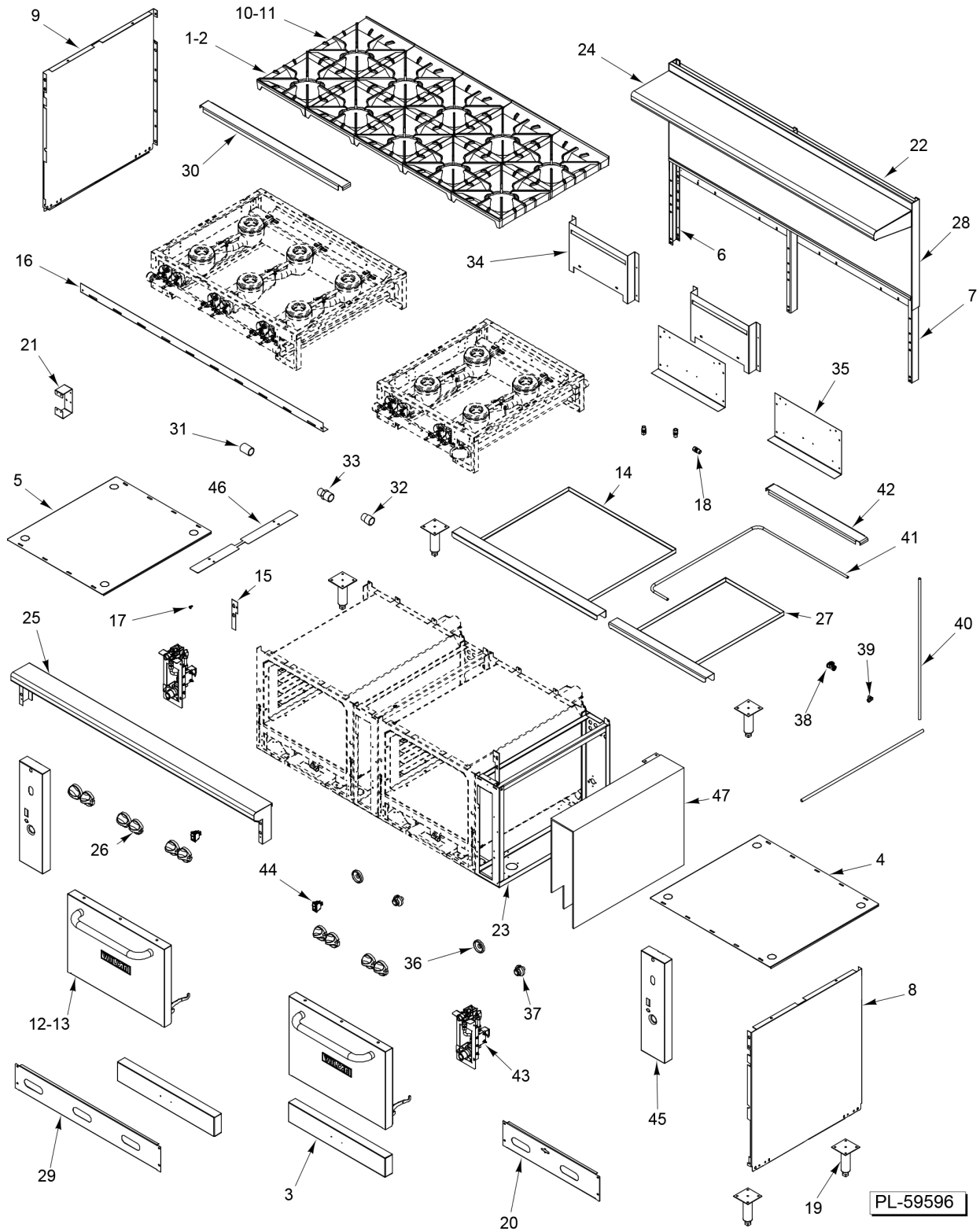
ILLUS. PL-59594	PART NO.	NAME OF PART	AMT.
1	00-925000	Grate - Front (Wolf).....	3
2	00-925028	Grate - Front (Vulcan).....	3
3	00-921044-0000A	Weldment - Crumb Tray (36 In.).....	1
4	00-921047	Side Panel - Right.....	1
5	00-921048	Side Panel - Left.....	1
6	00-925001	Grate - Rear (Wolf).....	3
7	00-925029	Grate - Rear (Vulcan).....	3
8	00-922067-0000A	Door Assy. (30 In.) (Wolf).....	1
9	00-922068-0000A	Door Assy. (30 In.) (Vulcan).....	1
10	00-921058	Gasket - Bullnose.....	2
11	00-921059	Heat Shield.....	1
12	00-730228	Self-Tapping Screw 10-24 x 1/2 Phil. Truss Hd.....	11
13	00-426508-00060	Flex Tube (7/16 X 60 In.).....	1
14	00-921064	Guide - Rack.....	4
15	00-921010-0000A	Oven Rack (30 In.) (Standard).....	2
16	00-921548-0000A	Oven Rack (30 In.) (Convection).....	2
17	00-426505-00042	Flex Tube (1/4 X 42 In.).....	1
18	00-921565	Thermocouple Assy.....	1
19	00-921083	Back Flue Channel.....	1
20	00-413112-00012	Leg (6 In. Adjustable) (SST).....	4
21	00-921105	Rear Flue.....	1
22	00-921051	Bayonet Back Channel (LH).....	1
23	00-921052	Bayonet Back Channel (RH).....	1
24	00-921053	Back Splash - Front.....	1
25	00-921411	Rear Heat Shield.....	1
26	00-921038-0000A	Top Shelf Assy.....	1
27	00-921017-0000A	Bull Nose Assy.....	1
28	00-921148	Heat Shield Rear.....	1
29	00-922012	BJ Thermostat - Knob.....	1
30	00-921410	Cover - Flue.....	1
31	00-922011-0000A	Standard Control Assy.....	1
32	00-925034	Grate Support.....	1
33	00-922006	Support - Insulation Cover.....	1
34	00-921170	Manifold Cover.....	1
35	00-921215	Knob (Wolf) (Wolf).....	6
36	00-428300-00001	Knob (Endurance).....	6
37	00-719384	BJ Bezzle.....	1
38	00-402558-00004	Clip - Tubing.....	5
39	00-921312	Control Panel - Standard.....	1
40	00-921309-0000A	Kick Panel Assy.....	1
41	FP-085-42	Fitting - Tube (7/16 TBG X 3/8 MPT).....	1
42	00-426508-00036	Flex Tube (7/16 x 36 In.).....	1



**RANGE BODY AND PANELS
(60 SERIES WITH GRIDDLE/BROILER)**

**RANGE BODY AND PANELS
(60 SERIES WITH GRIDDLE/BROILER)**

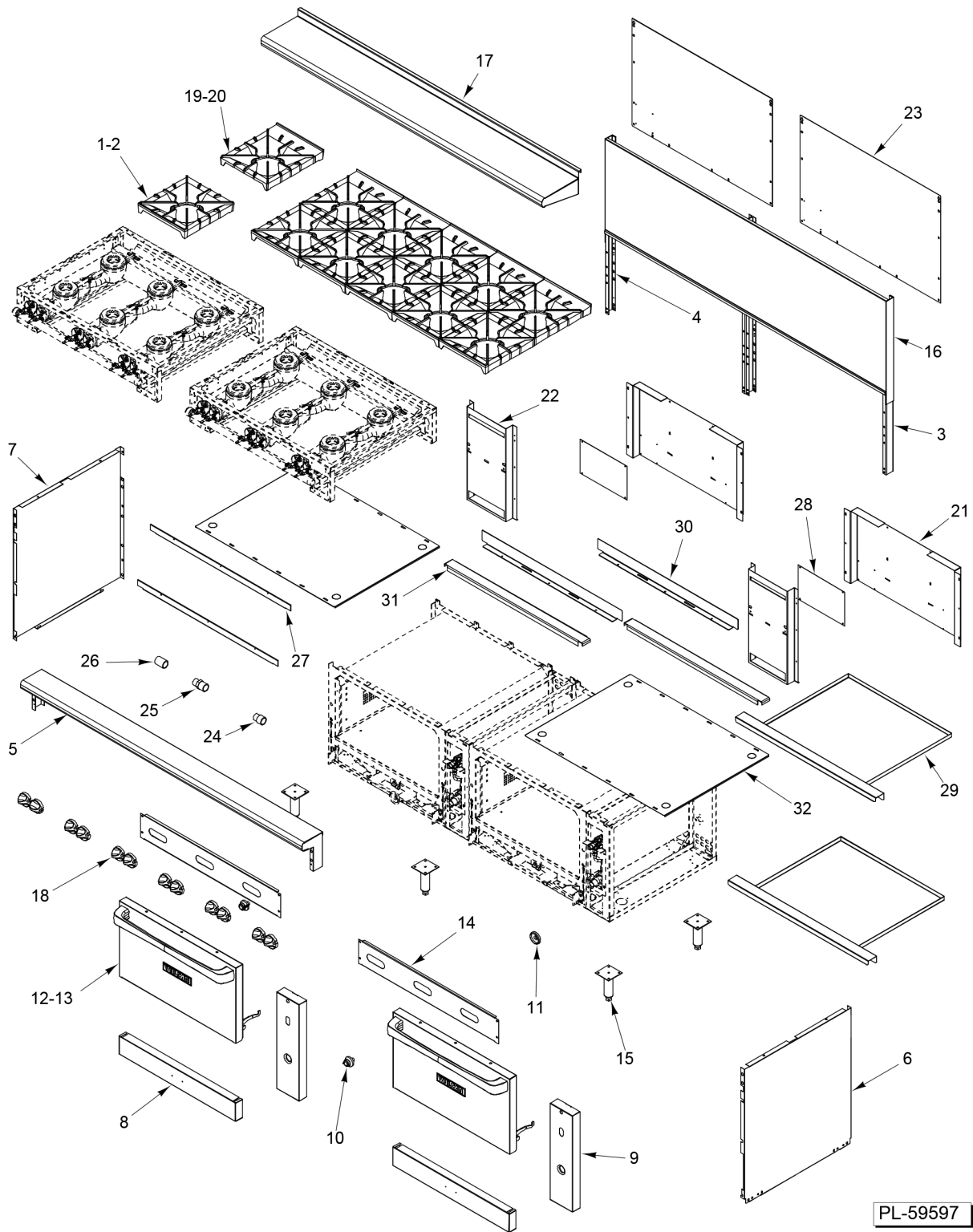
ILLUS. PL-59595	PART NO.	NAME OF PART	AMT.
1	00-925000	Grate - Front (Wolf).....	3
2	00-925028	Grate - Front (Vulcan).....	3
3	00-921036	Cover - Insulation.....	2
4	00-921048	Side Panel - Left.....	1
5	00-925001	Grate - Rear (Wolf).....	3
6	00-925029	Grate - Rear (Vulcan).....	3
7	00-921309-0000A	Kick Panel Assy.....	2
8	00-922067-0000A	Door Assy. (30 In.) (Wolf).....	2
9	00-922068-0000A	Door Assy. (30 In.) (Vulcan).....	2
10	00-921058	Gasket - Bullnose.....	1
11	00-921059	Heat Shield.....	1
12	00-730228	Self-Tapping Screw 10-24 x 1/2 Phil. Truss Hd.....	7
13	00-921064	Guide - Rack Slide.....	4
14	FP-085-42	Fitting - Tube (7/16 TBG X 3/8 MPT).....	2
15	00-929020-0000A	CBA-60L Control Bracket Assy.....	1
16	00-413112-00012	Leg (6 In. Adjustable) (SST).....	6
17	00-921051	Bayonet Back Channel (LH).....	1
18	00-921052	Bayonet Back Channel (RH).....	2
19	00-929007	Panel - Rear Heat Shield (60 In.).....	1
20	00-921083	Back Flue Channel.....	2
21	00-921105	Rear Flue.....	2
22	00-929021-0000A	CBA-60R Control Bracket Assy.....	1
23	00-929005-0000A	Top Shelf Assy. (60 In.).....	1
24	00-922012	BJ Thermostat - Knob.....	2
25	00-921215	Knob (Wolf).....	6
26	00-921148	Heat Shield Rear.....	1
27	00-921258	Back Splash - Front.....	1
28	00-763289	Manifold Cover (36 In.) (C60CC).....	1
29	00-921044-0000A	Weldment - Crumb Tray (36 In.).....	1
30	00-921252	Side Panel Right.....	1
31	00-926513-0000A	Splash Assy. - Outer (RH).....	1
32	00-926527-0000A	Splash Assy. - Outer (LH).....	1
33	00-921254	Bracket - Manifold (260).....	1
34	00-925490-0000A	Bull Nose Assy. (260).....	1
35	00-921247-0000A	Crumb Tray Assy. (260).....	1
36	00-921269-0000A	Bull Nose Assy. (260).....	1
37	00-925055	Union (1 In.).....	1
38	00-921483	Mounting Bracket (260).....	1
39	00-428300	Knob 2.75 Dia.....	3
40	00-921482	Manifold Cover (260).....	1
41	00-921481	Right Manifold Bracket (260).....	1
42	00-921480	Left Manifold Bracket (260).....	1
43	00-921410	Cover - Flue.....	2
44	00-922021	Thermostat BJWA-60.....	2
45	00-921013	Cover - Valve (BJ).....	2
46	00-921014	NLA - Obsolete--Cover - Back (BJ Valve).....	2
47	00-426508-00060	Flex Tube (7/16 X 60 In.).....	2
48	00-925060	Tee 3/8.....	1
49	00-719156	Elbow 3/8 x 7/16.....	2
50	00-426508-00030	Flex Tube (7/16 x 30 In.).....	3
51	00-426508-00008	Flex Tube (7/16 x 8 In.).....	2
52	00-921255-0000A	Griddle Assy. (24 In.).....	1



**RANGE BODY AND PANELS
(60 SERIES)**

**RANGE BODY AND PANELS
(60 SERIES)**

ILLUS. PL-59596	PART NO.	NAME OF PART	AMT.
1	00-925000	Grate - Front (Wolf).....	5
2	00-925028	Grate - Front (Vulcan).....	5
3	00-921309-0000A	Kick Panel Assy.....	2
4	00-921036	Cover - Insulation.....	1
5	00-923518	Cover - Insulation.....	1
6	00-921051	Bayonet Back Channel (LH).....	1
7	00-921052	Bayonet Back Channel (RH).....	2
8	00-921047	Side Panel - Right.....	1
9	00-921048	Side Panel - Left.....	1
10	00-925001	Grate - Rear (Wolf).....	5
11	00-925029	Grate - Rear (Vulcan).....	5
12	00-922067-0000A	Door Assy. (30 In.) (Wolf).....	2
13	00-922068-0000A	Door Assy. (30 In.) (Vulcan).....	2
14	00-921044-0000A	Weldment - Crumb Tray Assy. (36 In.).....	1
15	00-921058	Gasket - Bullnose.....	2
16	00-929010	Heat Shield.....	1
17	00-730228	Self-Tapping Screw 10-24 x 1/2 Phil. Truss Hd.....	4
18	FP-085-42	Fitting - Tube (7/16 TBG X 3/8 MPT).....	3
19	00-413112-00012	Leg (6 In. Adjustable) (SST).....	6
20	00-924522	NLA - Obsolete--Manifold Cover (24 In.) (T-Stat).....	1
21	00-929012	Joint Bracket.....	1
22	00-929007	Panel - Rear Heat Shield (60 In.).....	1
23	00-922000-0000A	Frame Assy. (6 In.).....	2
24	00-921300-0000A	Top Shelf Assy.....	1
25	00-921005-0000A	Bull Nose Assy.....	1
26	00-428300	Knob 2.75 Dia.....	10
27	00-924510-0000A	Weldment - Crumb Tray Assy. (24 In.).....	1
28	00-929006	Back Splash - Front.....	1
29	00-921170	Manifold Cover.....	1
30	00-925034	Grate Support.....	1
31	00-921377	Coupler - Left.....	1
32	00-921378	Coupler - Right.....	1
33	00-921379	Nipple.....	1
34	00-921633	Back Flue Channel.....	2
35	00-921632	Flue Cover (24 In.) (Convection).....	2
36	00-719384	BJ Bezzle.....	2
37	00-922012	Knob - BJ Thermostat.....	2
38	00-925060	Tee 3/8.....	1
39	00-719156	Elbow 3/8 x 7/16.....	1
40	00-426508-00003	Flex Tube (7/16 x 30 In.).....	2
41	00-426508-00060	Flex Tube (7/16 X 60 In.).....	1
42	00-924507	Grate Support.....	1
43	00-921408-0000A	Control Assy. (Convection).....	2
44	00-921528	Switch - Rocker.....	2
45	00-921369	Panel - Control (Convection).....	2
46	00-922045	Cover - Center Spillover.....	1
47	00-922005	Insulation Blanket (6 In.).....	1

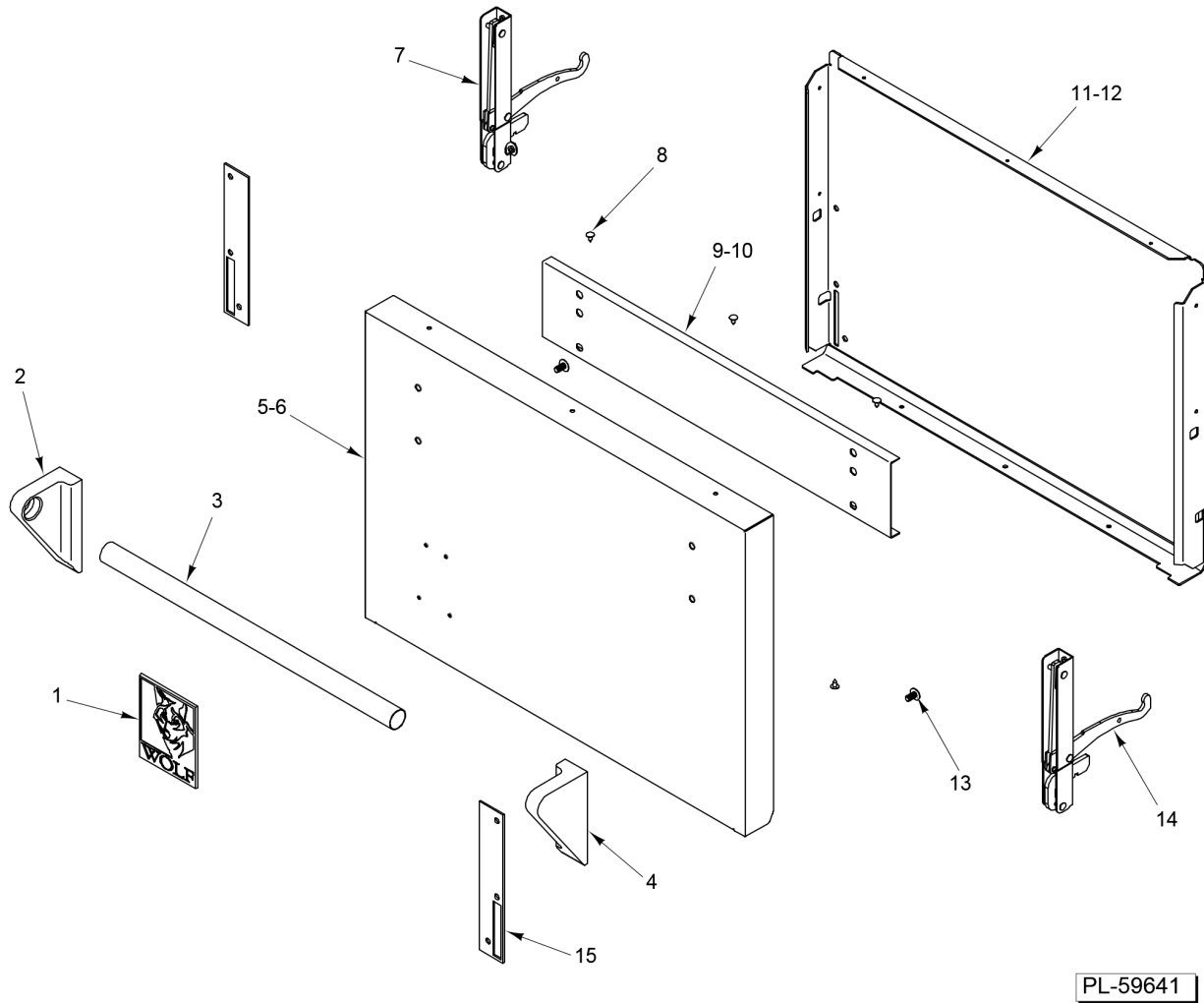


PL-59597

**RANGE BODY AND PANELS
(72 SERIES)**

**RANGE BODY AND PANELS
(72 SERIES)**

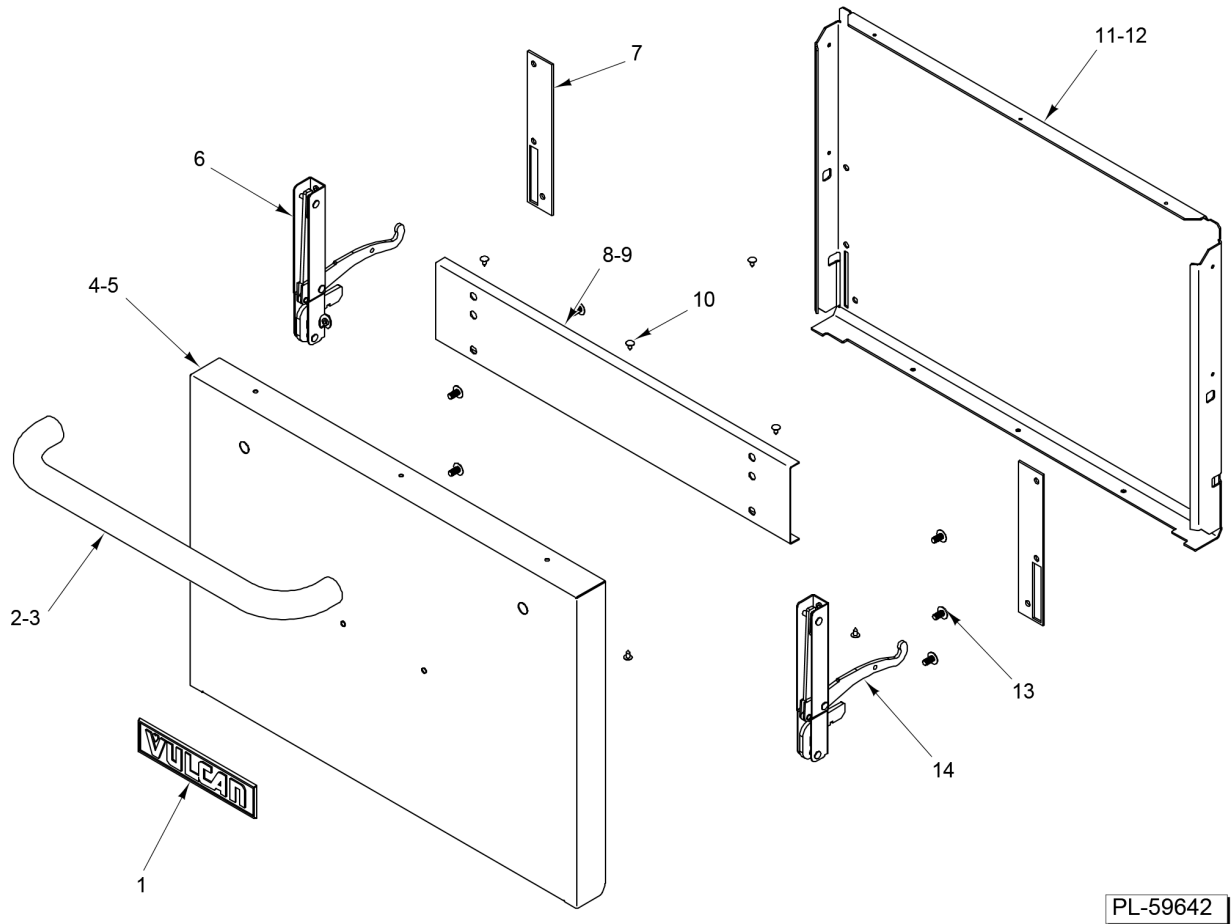
ILLUS. PL-59597	PART NO.	NAME OF PART	AMT.
1	00-925000	Grate - Front (Wolf).....	6
2	00-925028	Grate - Front (Vulcan).....	6
3	00-921052	Bayonet Back Channel (RH).....	2
4	00-921051	Bayonet Back Channel (LH).....	2
5	00-921284-0000A	Bull Nose Assy. (72 In.).....	1
6	00-921047	Side Panel - Right.....	1
7	00-921048	Side Panel - Left.....	1
8	00-921309-0000A	Kick Panel Assy.....	2
9	00-921312	Control Panel - Standard.....	2
10	00-922012	Knob - BJ Thermostat.....	2
11	00-719384	BJ Bezzle.....	2
12	00-922067-0000A	Door Assy. (30 In.) (Wolf).....	2
13	00-922068-0000A	Door Assy. (30 In.) (Vulcan).....	2
14	00-921034	NLA - Obsolete--Manifold Cover.....	2
15	00-413112-00012	Leg (6 In. Adjustable) (SST).....	6
16	00-921152	Back Splash - Front.....	1
17	00-921301-0000A	Top Shelf Assy. (72 In.).....	1
18	00-428300	Knob 2.75 Dia.....	12
19	00-925001	Grate - Rear (Wolf).....	6
20	00-925029	Grate - Rear (Vulcan).....	6
21	00-921105	Rear Flue.....	2
22	00-921083	Back Flue Channel.....	2
23	00-921054	Panel - Back (36 In.).....	2
24	00-921378	Coupler - Right.....	1
25	00-921379	Nipple.....	1
26	00-921377	Coupler - Left.....	1
27	00-921059	Heat Shield.....	2
28	00-921410	Cover - Flue.....	2
29	00-921044-0000A	Weldment - Crumb Tray Assy. (36 In.).....	2
30	00-921148	Heat Shield Rear.....	2
31	00-925034	Grate Support.....	2
32	00-922006	Cover - Insulation.....	2



**DOOR ASSEMBLY
(WOLF RANGES)**

**DOOR ASSEMBLY
(WOLF RANGES)**

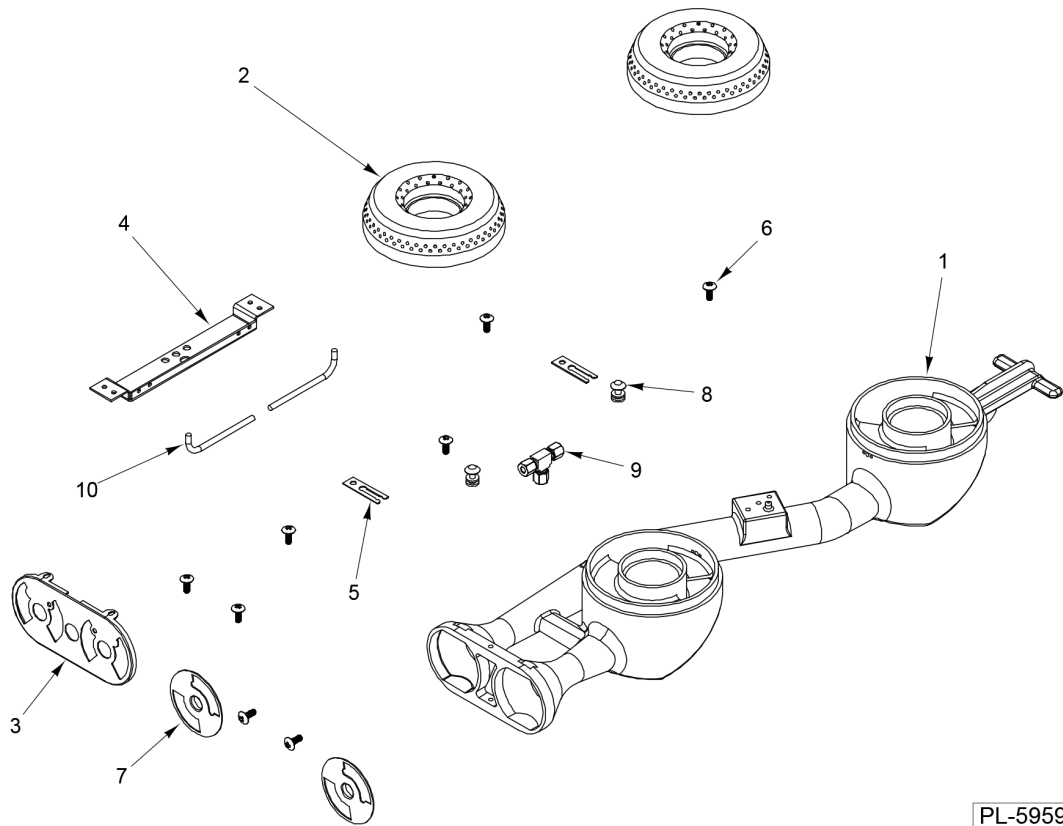
ILLUS.	PART NO.	NAME OF PART	AMT.
PL-59641			
1	00-722484	Logo - Medium (Wolf).....	1
2	00-719621	Bracket - Aluminum Door Handle (LH).....	1
3	00-921043	Handle - Door.....	1
4	00-719622	Bracket - Aluminum Door Handle (RH).....	1
5	00-923520	Panel - Door (24 In.).....	1
6	00-921089	Panel - Door (30 In.).....	1
7	00-497027-00002	Hinge - Door Spring (LH).....	1
8	00-730240	Mach. Screw #8 x 1/2.....	6
9	00-923522	Reinforcement - Door (24 In.).....	1
10	00-921343	Reinforcement - Door (30 In.).....	1
11	00-922030	Liner - Door (24 In.).....	1
12	00-921022	Liner - Door (30 In.).....	1
13	00-723369	Mach. Screw 1/4-20 x 1/2 Phil. Truss Hd.....	6
14	00-497027-00001	Hinge - Door Spring (RH).....	1
15	00-921033	Insulator - Door Hinge.....	2
	00-922065-0000A	Door Assy. (24 In.) (Incls. Items 1 thru 5, 7, 8, 9, 11, & 13 thru 15).....	2
	00-922067-0000A	Door Assy. (30 In.) (Incls. Items 1 thru 4, 6, 7, 8, 10, & 12 thru 15).....	2



**DOOR ASSEMBLY
(VULCAN RANGES)**

**DOOR ASSEMBLY
(VULCAN RANGES)**

ILLUS.	PART NO.	NAME OF PART	AMT.
PL-59642			
1	00-417700-00001	Nameplate (7 1/4 In.) (Vulcan).....	1
2	00-921342	Handle - Door (24 In.).....	1
3	00-428618-00001	Handle - Oven.....	1
4	00-921302	Panel - Door (24 In.).....	1
5	00-921288	Panel - Door.....	1
6	00-497027-00002	Hinge - Door Spring (LH).....	1
7	00-921033	Insulator - Door Hinge.....	1
8	00-923522	Reinforcement - Door (24 In.).....	1
9	00-921343	Reinforcement - Door (30 In.).....	1
10	00-730240	Mach. Screw #8 x 1/2.....	6
11	00-922030	Liner - Door (24 In.).....	1
12	00-921022	Liner - Door (30 In.).....	1
13	00-723369	Mach. Screw 1/4-20 x 1/2 Phil. Truss Hd.....	6
14	00-497027-00001	Hinge - Door Spring (RH).....	1
	00-922066-0000A	Door Assy. (24 In.) (Incls. Items 1, 2, 4, 6, 7, 8, 10, 11, 13, & 14).....	2
	00-922068-0000A	Door Assy. (30 In.) (Incls. Items 1, 3, 5, 6, 7, 9, 10, 12, 13, & 14).....	2

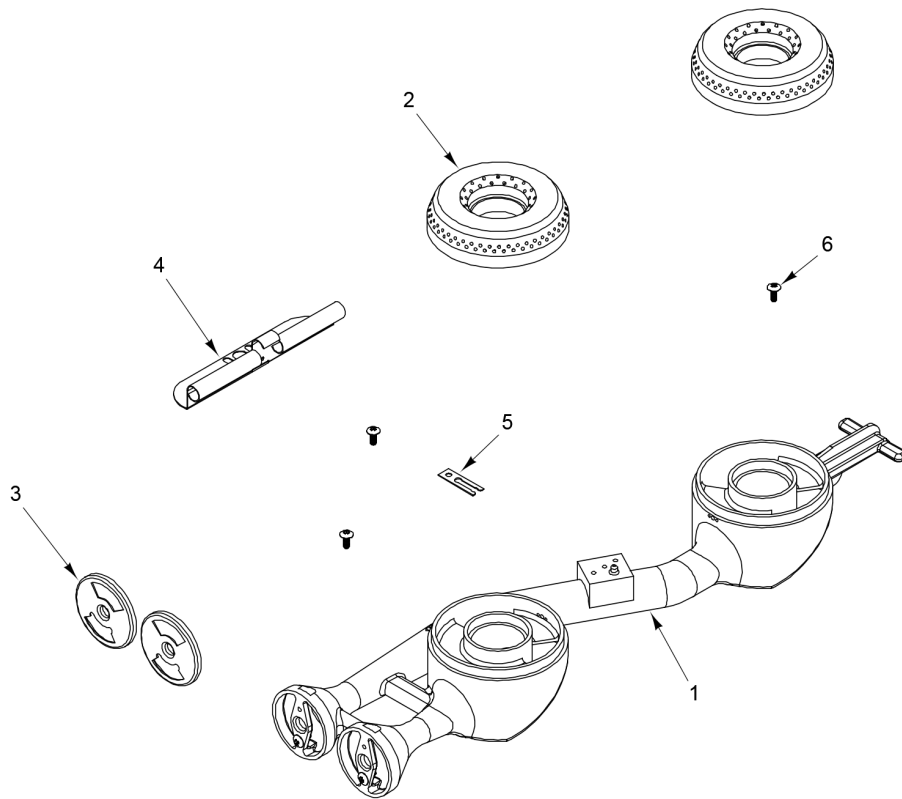


PL-59598

**OPEN TOP BURNER
(WITH PILOT)**

**OPEN TOP BURNER
(WITH PILOT)**

ILLUS.	PART NO.	NAME OF PART	AMT.
PL-59598			
1	00-763209-000A1	Open Top Burner (Venturi) (Includes Items 2, 5, 6, 7).....	1
2	00-417608-00002	Head - Burner (12 In.) (Open Top).....	2
3	00-925067	Double Shutters.....	1
4	00-925069	Bracket - Pilot Mounting.....	1
5	00-413302-00001	Clip - Pilot Mounting.....	2
6	SD-039-37	Self-Tapping Screw 10-24 x 1/4.....	8
7	00-925068	Shutter - Venturi Top.....	2
8	00-719135	Top - Pilot (SST).....	2
9	00-719174	Tee 3/16 (Brass).....	1
10	00-921407	Tubing.....	2

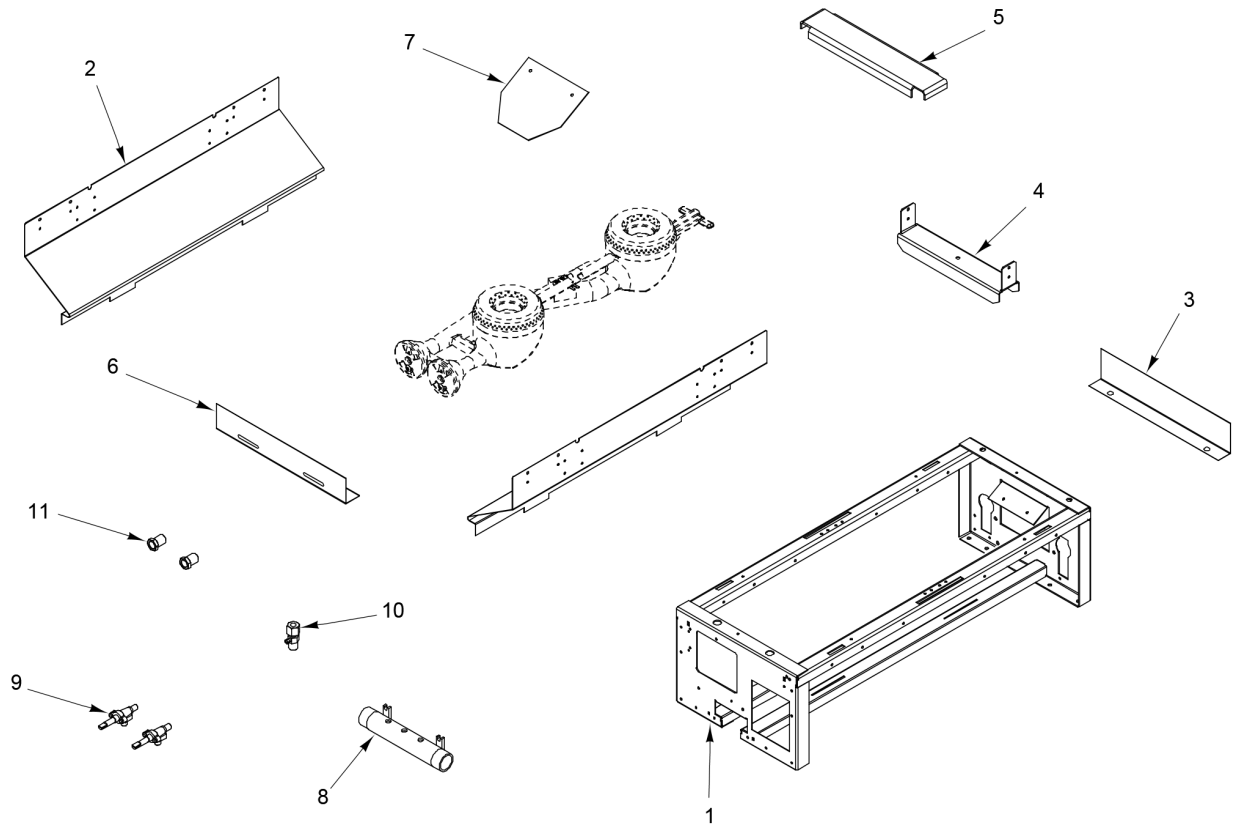


PL-59599

**OPEN TOP BURNER
(WITH FLASH TUBE)**

**OPEN TOP BURNER
(WITH FLASH TUBE)**

ILLUS.	PART NO.	NAME OF PART	AMT.
PL-59599			
1	00-714215-00002	Open Top Burner (Includes items 2, 3, 4, 5, and 6).....	1
2	00-417608-00001	Burner Head.....	2
3	00-719329	Shutters.....	2
4	00-787275-00001	Flash Tube.....	1
5	00-413302-00001	Clip - Pilot Mounting.....	1
6	SD-039-37	Self-Tapping Screw 10-24 x 1/4.....	3



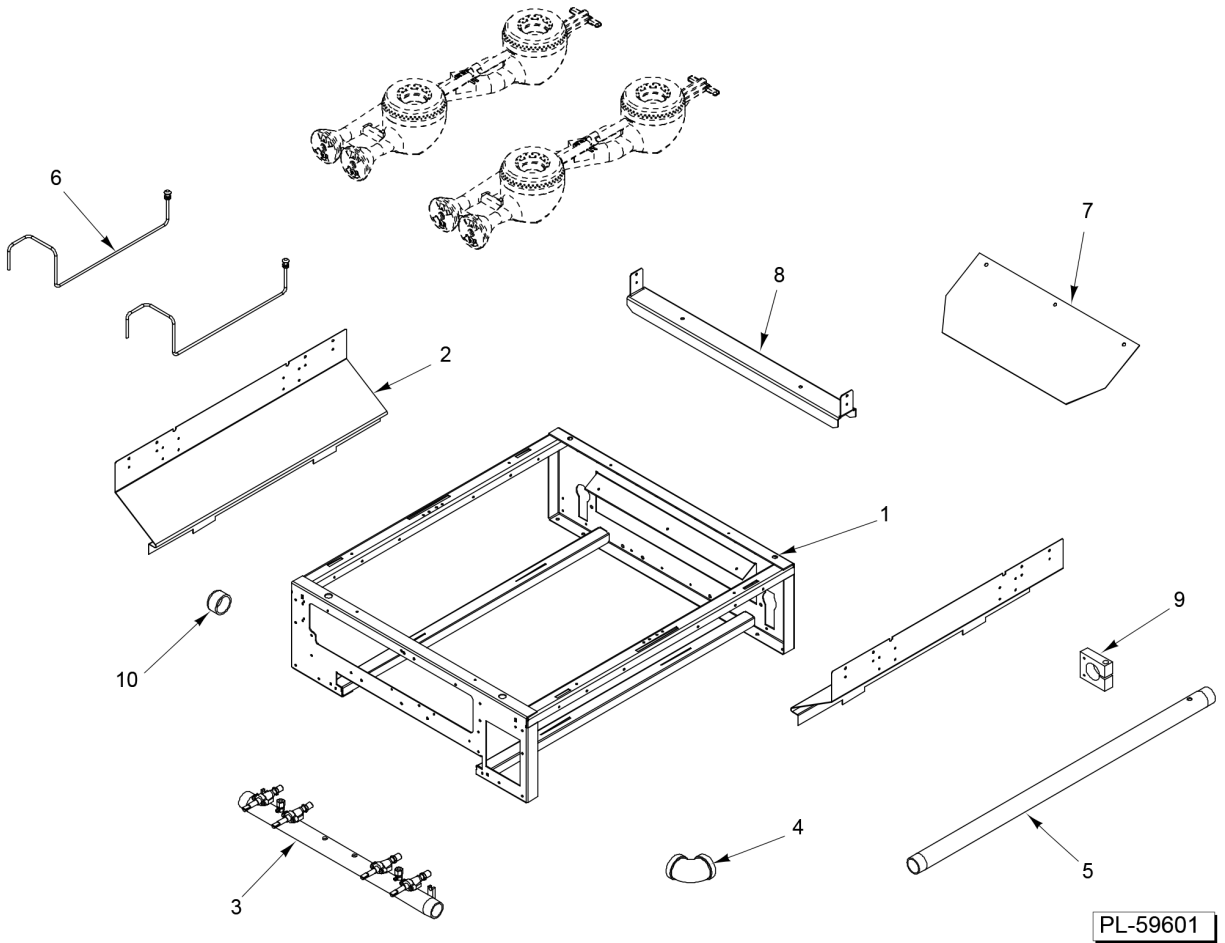
PL-59600

**OPEN TOP BURNER MODULE
(12 INCH ASSEMBLY)**

**OPEN TOP BURNER MODULE
(12 INCH ASSEMBLY)**

ILLUS.	PART NO.	NAME OF PART	AMT.
PL-59600			
1	00-924002-0000A	Weldment - Frame Assy. (12 In.).....	1
2	00-925015	Drip Pan Guide.....	2
3	00-921141	Rear Heat Shield (12 In.).....	1
4	00-924006	Burner Support.....	1
5	00-924007	Grate Support.....	1
6	00-921160	Front Heat Shield (12 In.).....	1
7	00-924022	Deflector - OTB Module (12 In.).....	1
8	00-924005-0000A	Manifold Weldment (12 In.).....	1
9	00-719221	Valve - Manual.....	2
10	00-719179	Valve - Single Pilot.....	1
*11		Valve Hood.....	2

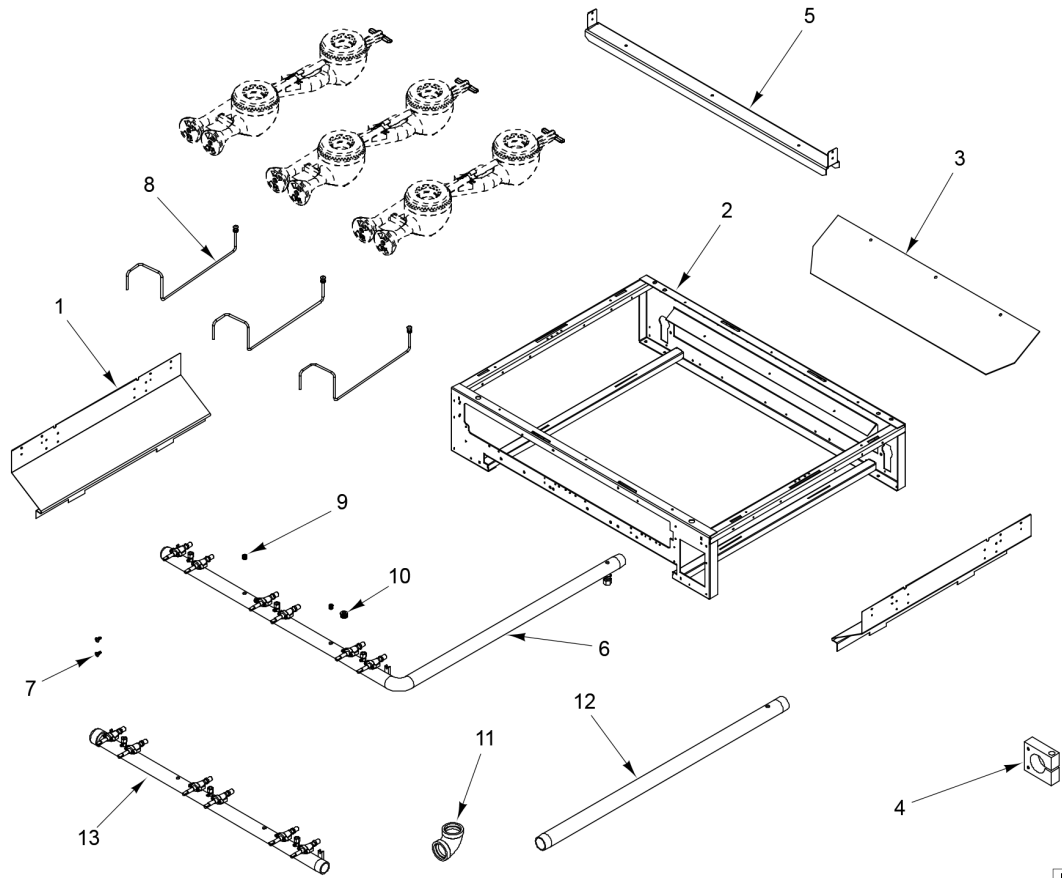
* See Orifice Chart



**OPEN TOP BURNER MODULE
(24 INCH ASSEMBLY)**

**OPEN TOP BURNER MODULE
(24 INCH ASSEMBLY)**

ILLUS.	PART NO.	NAME OF PART	AMT.
PL-59601			
1	00-924502-0000A	Weldment - Frame Assy. (24 In.).....	1
2	00-925015	Drip Pan Guide.....	2
3	00-924504-0000A	Manifold Assy. (24 In.).....	1
4	00-925053	Elbow (1 In.).....	1
5	00-929004	Inlet Pipe (1 In.).....	1
6	00-921107-0000A	Pilot Tube/Tip Assy.....	2
7	00-924515	Deflector - Rear.....	1
8	00-924516	Support - Burner.....	1
9	00-921009	Saddle Clamp.....	1
10	00-929016	Cap.....	1



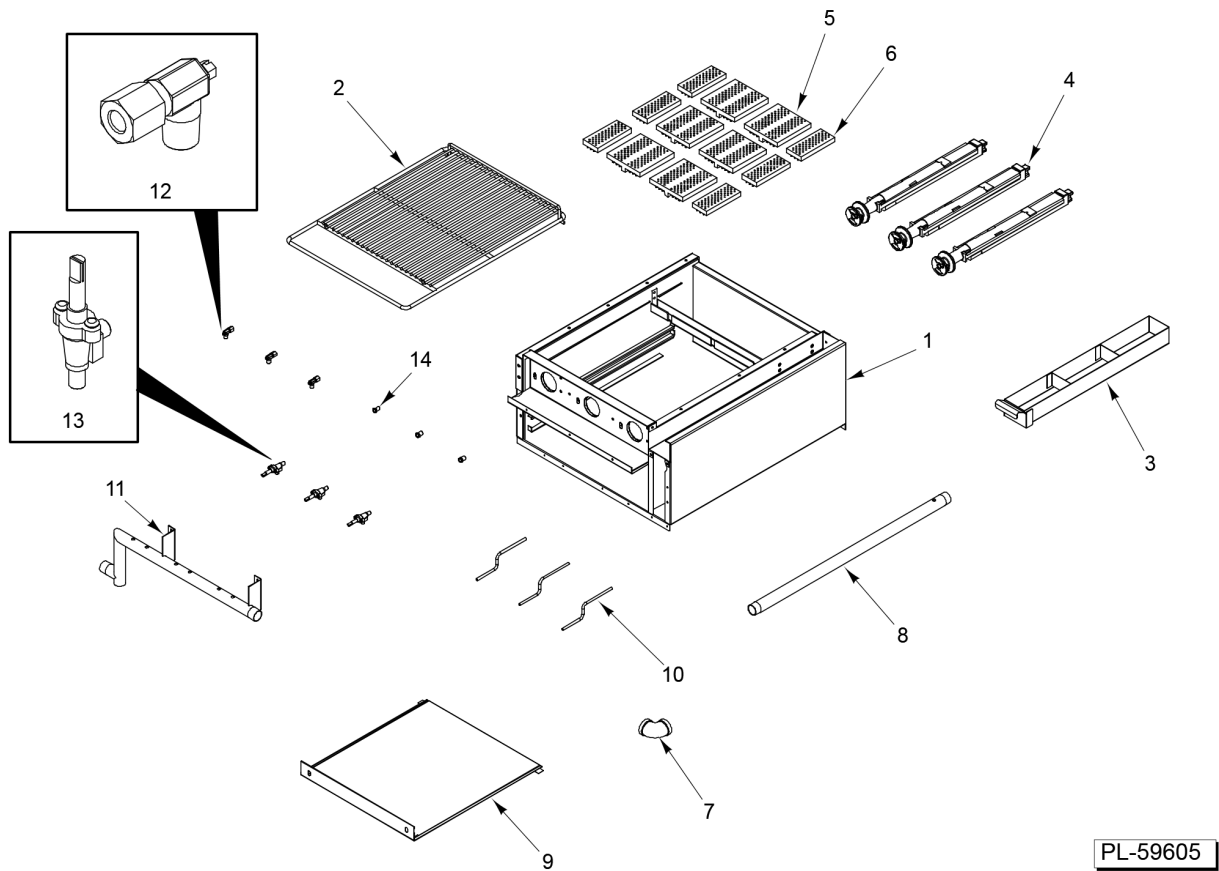
PL-59602

**OPEN TOP BURNER MODULE
(36 INCH ASSEMBLY)**

**OPEN TOP BURNER MODULE
(36 INCH ASSEMBLY)**

ILLUS.	PART NO.	NAME OF PART	AMT.
PL-59602			
1	00-925015	Drip Pan Guide.....	2
2	00-925003-0000A	Top Frame Assy. (36 In.).....	1
3	00-925014	Deflector - Rear.....	1
4	00-921009	Saddle Clamp (Alternate Assy.).....	1
5	00-925035	Burner Support.....	1
*6		Manifold Assy.....	1
7	00-730228	Self-Tapping Screw 10-24 x 1/2 Phil. Truss Hd.....	21
8	00-922124-0000A	Pilot Tube/Tip Assy.....	3
9	00-719363	Plug 1/8 NPT Countersink.....	2
10	00-719371	Plug 1/4 Steel Hex Hd.....	2
11	00-925053	Elbow (1 In.) (Alternate Assy.).....	1
12	00-929004	Inlet Pipe (1 In.) (Alternate Assy.).....	1
13	00-929003-0000A	Manifold Assembly (36 In.) (Alternate Assy.).....	1

* See Oven Burner Assembly for servicable parts. Manifold Assembly 00-925011-0000A is not available, components available for purchase.

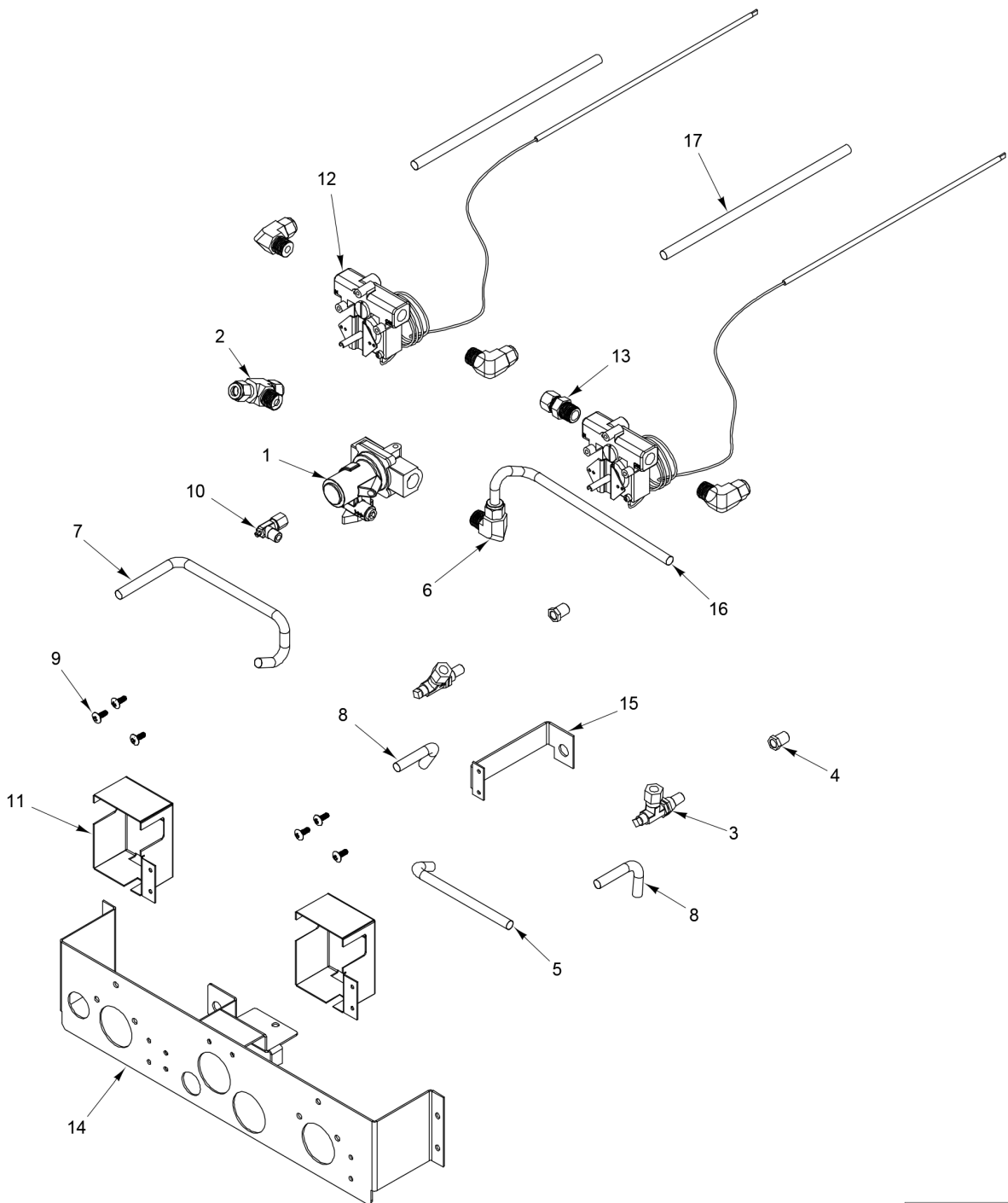


GRIDDLE/BROILER TOP MODULE

GRIDDLE/BROILER TOP MODULE

ILLUS.	PART NO.	NAME OF PART	AMT.
PL-59605			
1	00-921373-0000A	Frame Assy. (260 Grd/Brlr).....	1
2	00-417632-00001	Rack - Broiler Griddle.....	1
3	00-921490-0000A	Grease Can Assy.....	1
4	00-411684-000G1	Burner (Grd/Brlr).....	3
5	00-404145-00001	Broiler Brick - Center.....	6
6	00-417698-00001	Broiler Brick - Side.....	6
7	00-925053	Elbow (1 In.).....	1
8	00-929004	Inlet Pipe (1 In.).....	1
9	00-417669-000G1	Tray Weldment - Drip (Broiler).....	1
10	00-497062-000G1	Tube Assy. - Pilot (Broiler (260)).....	3
11	00-921485-0000A	Manifold Weldment.....	1
12	00-404193-00001	Valve 1/8 x 1/4 x 90 Deg.....	3
13	00-497240-00001	Burner Control Valve.....	3
*14		Valve Hood.....	3

* See Orifice Chart



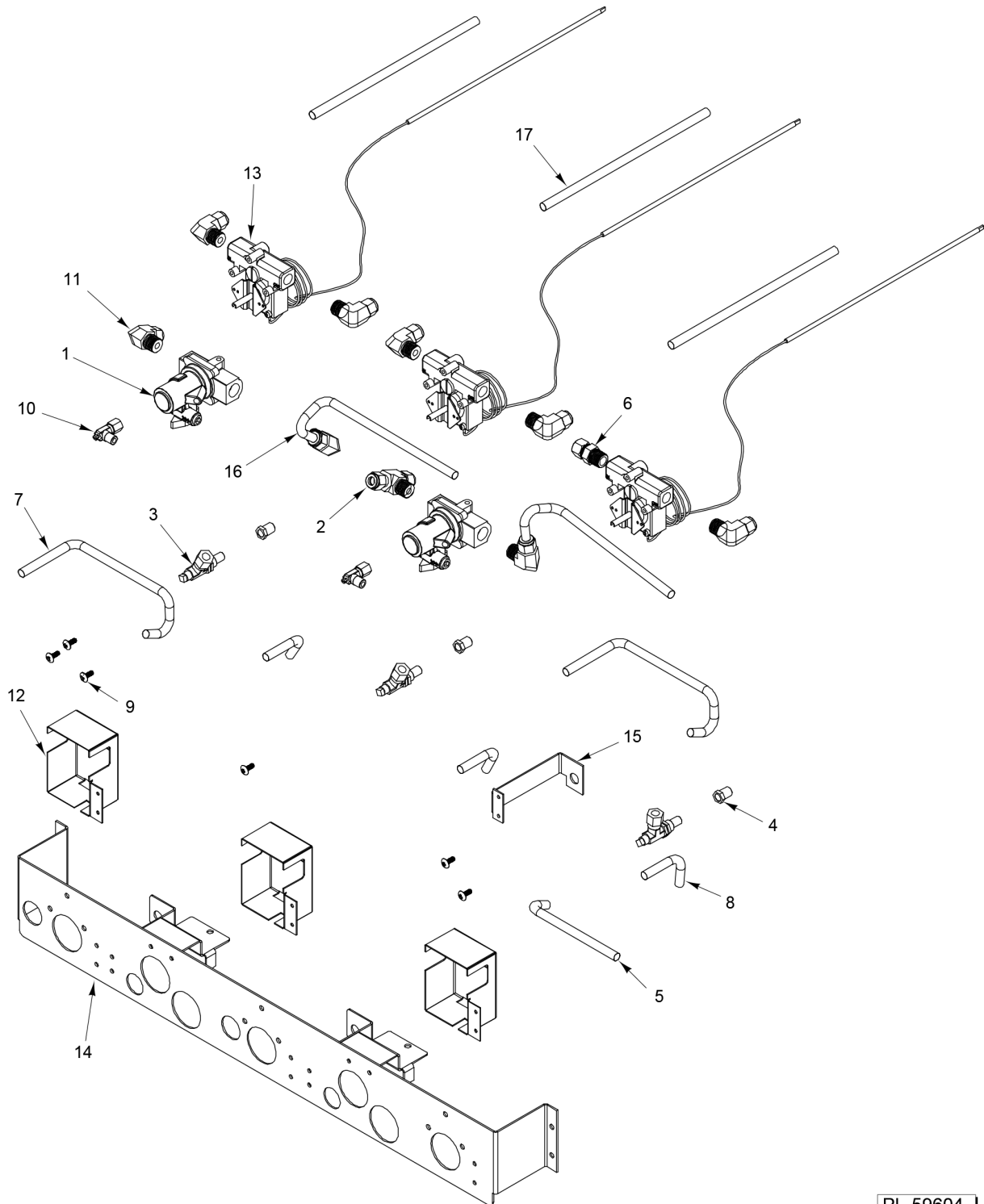
PL-59603

**THERMOSTAT GRIDDLE CONTROL ASSEMBLY
(24 INCH UNITS)**

**THERMOSTAT GRIDDLE CONTROL ASSEMBLY
(24 INCH UNITS)**

ILLUS. PL-59603	PART NO.	NAME OF PART	AMT.
1	00-498025	Valve - BASO (H15AB-6).....	1
2	00-498028	Tee 3/8 Male Compression.....	1
3	00-719383	Elbow 3/8 Orifice.....	2
*4		Valve - Hood.....	2
5	00-928038	Flex Tubing (3/8 x 7 In. GS-BASO).....	1
6	00-719376	Elbow 3/8 x 3/8.....	4
7	00-722221	Flex Tubing (3/8 x 12 In.).....	1
8	00-928037	Flex Tubing (3/8 x 5 In. GS-Nozzle).....	2
9	00-730228	Self-Tapping Screw 10-24 x 1/2 Phil. Truss Hd.....	6
10	00-404193-00001	Valve 1/8 x 1/4 x 90 Deg.....	1
11	00-921167	GS Cover.....	2
12	00-498096-00550	Valve (550F) T-Stat Combo.....	2
13	00-719377	Connector - Straight 3/8 x 3/8 (Brass).....	1
14	00-921168-0000A	Weldment - Control Panel TRD24.....	1
15	00-921071	Bracket - Right Orifice.....	1
16	00-722221	Flex Tubing (3/8 x 12 In.).....	1
17	00-719566	Sleeving - Silicon.....	2

* See orifice chart



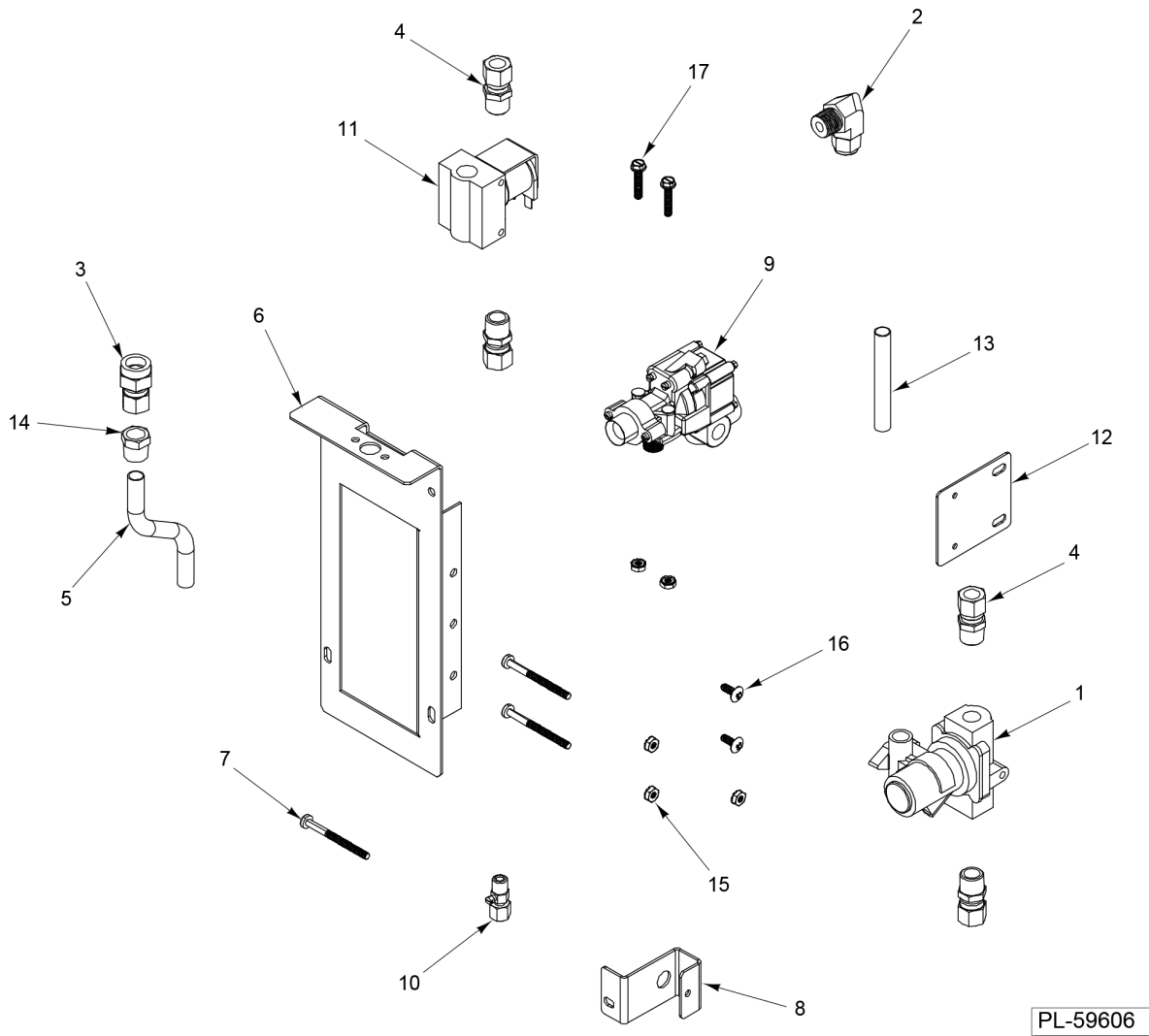
PL-59604

**THERMOSTAT GRIDDLE CONTROL ASSEMBLY
(36 INCH UNITS)**

**THERMOSTAT GRIDDLE CONTROL ASSEMBLY
(36 INCH UNITS)**

ILLUS.	PART NO.	NAME OF PART	AMT.
PL-59604			
1	00-498025	Valve - BASO (H15AB-6).....	2
2	00-498028	Tee 3/8 Male Compression.....	1
3	00-719383	Elbow 3/8 Orifice.....	3
*4		Orifice.....	3
5	00-928038	Flex Tubing (3/8 x 7 In. GS-BASO).....	4
6	00-719377	Connector - Straight 3/8 x 3/8 (Brass).....	1
7	00-722221	Flex Tubing (3/8 x 12 In.).....	2
8	00-928037	Flex Tubing (3/8 x 5 In. GS-Nozzle).....	3
9	00-730228	Self-Tapping Screw 10-24 x 1/2 Phil. Truss Hd.....	6
10	00-404193-00001	Valve 1/8 x 1/4 x 90 Deg.....	2
11	00-719376	Elbow 3/8 x 3/8.....	8
12	00-921167	GS Cover.....	3
13	00-498096-00550	Valve (550F) T-Stat Combo.....	3
14	00-921169-0000A	Weldment - Control Panel TRD36.....	1
15	00-921071	Bracket - Right Orifice.....	1
16	00-722221	Flex Tubing (3/8 x 12 In.).....	2
17	00-719566	Sleeving - Silicon.....	3
18	00-498096-0550P	Thermostat, Griddle (W/Pilot connection) Not Shown.....	1

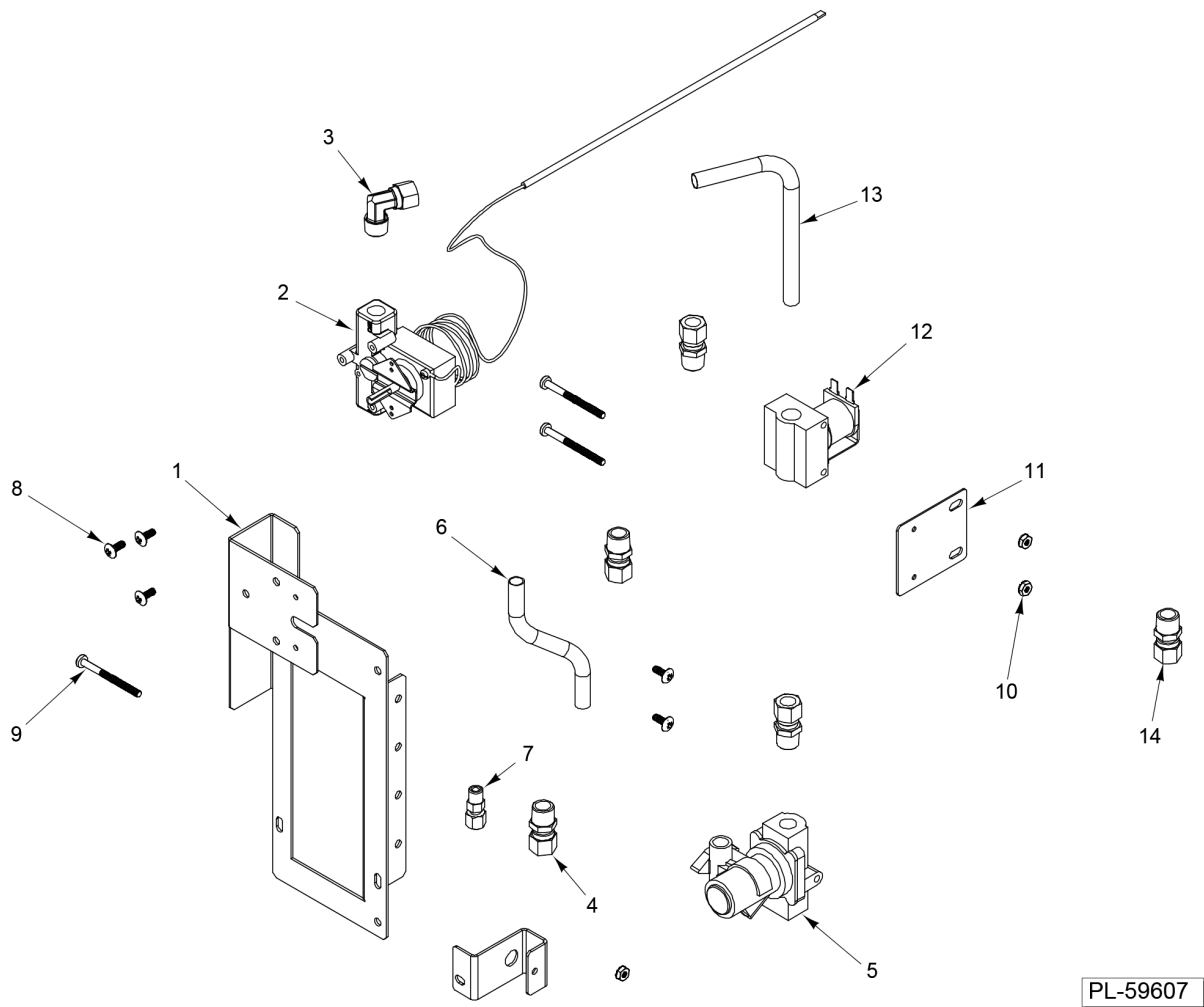
* See Orifice Chart



**CONVECTION OVEN CONTROL BRACKET
(BEFORE 3/11/2010)**

**CONVECTION OVEN CONTROL BRACKET
(BEFORE 3/11/2010)**

ILLUS.	PART NO.	NAME OF PART	AMT.
PL-59606			
1	00-922008	Valve, Safety BASO (H15AB-7).....	1
2	00-922015	Elbow.....	1
3	FP-086-07	Fitting - Tube (7/16 TBG X 3/8 FPT) (Straight).....	1
4	FP-085-42	Fitting - Tube (7/16 TBG X 3/8 MPT).....	4
5	00-922007	Tubing - T-Stat Safety.....	1
6	00-922010	Bracket - Controller.....	1
7	00-730054	Screw 10-24 x 2 1/4.....	3
8	00-922014	Bracket - BASO Support.....	1
9	00-922020	BJ Thermostat.....	1
10	00-719179	Valve - Single Pilot.....	1
11	00-770085-00002	Solenoid.....	1
12	00-922027	Mounting Plate - Solenoid.....	1
13	00-921544	Tubing - T-Stat to Solenoid.....	1
14	00-921540	Reducer 3/8 x 1/4.....	1
15	00-730534	Nut 10-24 Hex KEPS.....	5
16	00-730228	Self-Tapping Screw 10-24 x 1/2 Phil. Truss Hd.....	2
17	00-922019	Screw 10-24 x 1.....	2

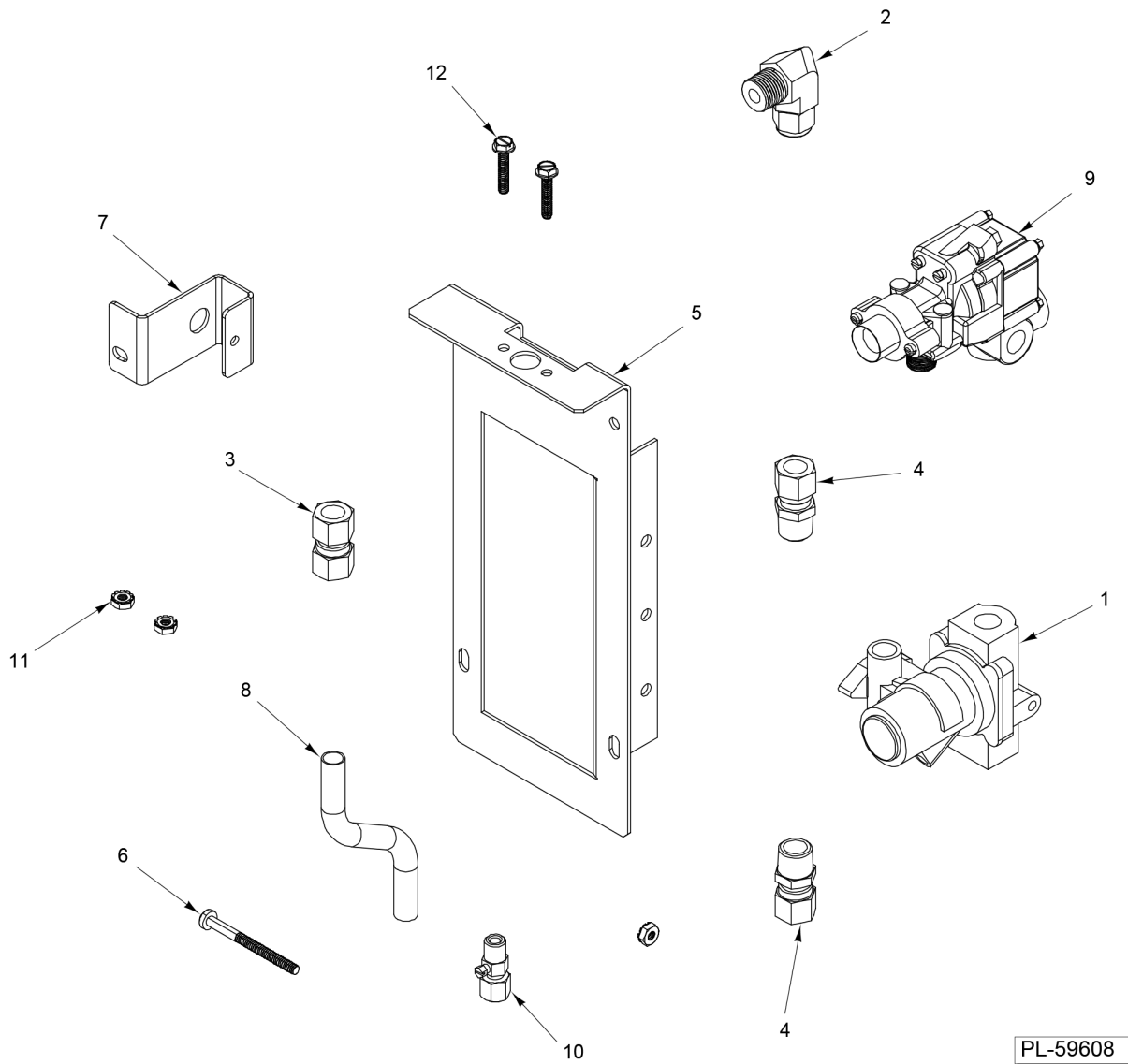


PL-59607

**CONVECTION OVEN CONTROL BRACKET
(ON OR AFTER 3/11/2010)**

**CONVECTION OVEN CONTROL BRACKET
(ON OR AFTER 3/11/2010)**

ILLUS.	PART NO.	NAME OF PART	AMT.
PL-59607			
1	00-921638	Bracket - Controller.....	1
2	00-498096-00550	Valve (550F) T-Stat Combo.....	1
3	FP-085-68	Fitting- Elbow (7/16 TBG X 3/8 MPT).....	1
4	00-922014	Bracket - BASO Support.....	1
5	00-922008	Valve, Safety BASO (H15AB-7).....	1
6	00-922007	Tubing - T-Stat Safety.....	1
7	00-719179	Valve - Single Pilot.....	1
8	00-730228	Self-Tapping Screw 10-24 x 1/2 Phil. Truss Hd.....	5
9	00-730054	Screw 10-24 x 2 1/4.....	3
10	00-730534	Nut 10-24 Hex KEPS.....	3
11	00-922027	Mounting Plate - Solenoid.....	1
12	00-770085-00002	Solenoid.....	1
13	00-426508-00008	Flex Tube (7/16 x 8 In.).....	1
14	FP-085-42	Fitting - Tube (7/16 TBG X 3/8 MPT).....	5



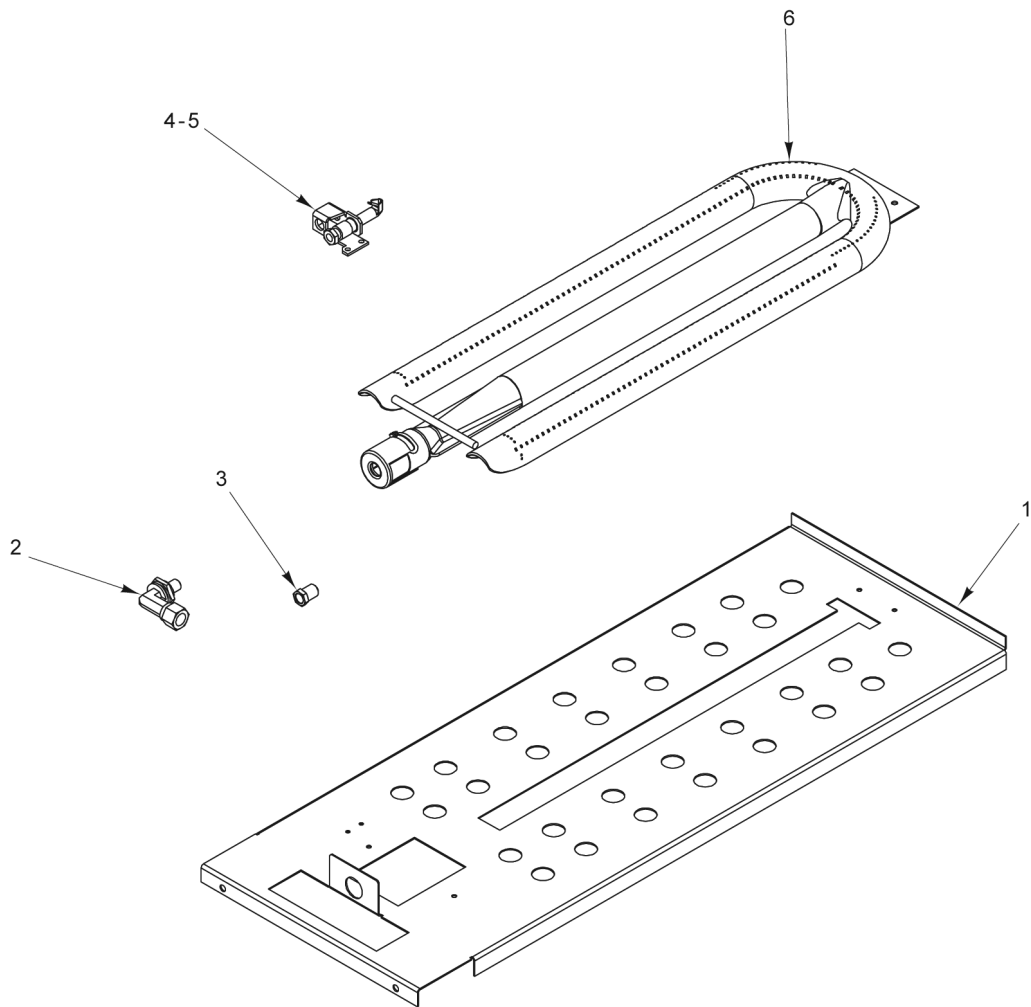
PL-59608

STANDARD OVEN CONTROL BRACKET

STANDARD OVEN CONTROL BRACKET

ILLUS.	PART NO.	NAME OF PART	AMT.
PL-59608			
1	00-922008	Valve, Safety BASO H15AB-7.....	1
2	00-922015	Elbow.....	1
3	00-922017	Fitting 1/8 x 7/16.....	1
4	FP-085-42	Fitting - Tube (7/16 TBG X 3/8 MPT).....	2
5	00-922010	Bracket - Controller.....	1
6	00-730054	Screw 10-24 x 2 1/4.....	1
7	00-922014	Bracket - BASO Support.....	1
8	00-426508-00006	Tube - Flex 7/16" O.D. 6" Lg.....	1
9	00-922020	BJ Thermostat.....	1
10	00-719179	Valve - Single Pilot.....	1
11	00-730534	Nut 10-24 Hex KEPS.....	3
12	00-922019	Screw 10-24 x 1.....	2
*	00-412788-00048	Thermocouple 48".....	1

* Not Shown in Graphic



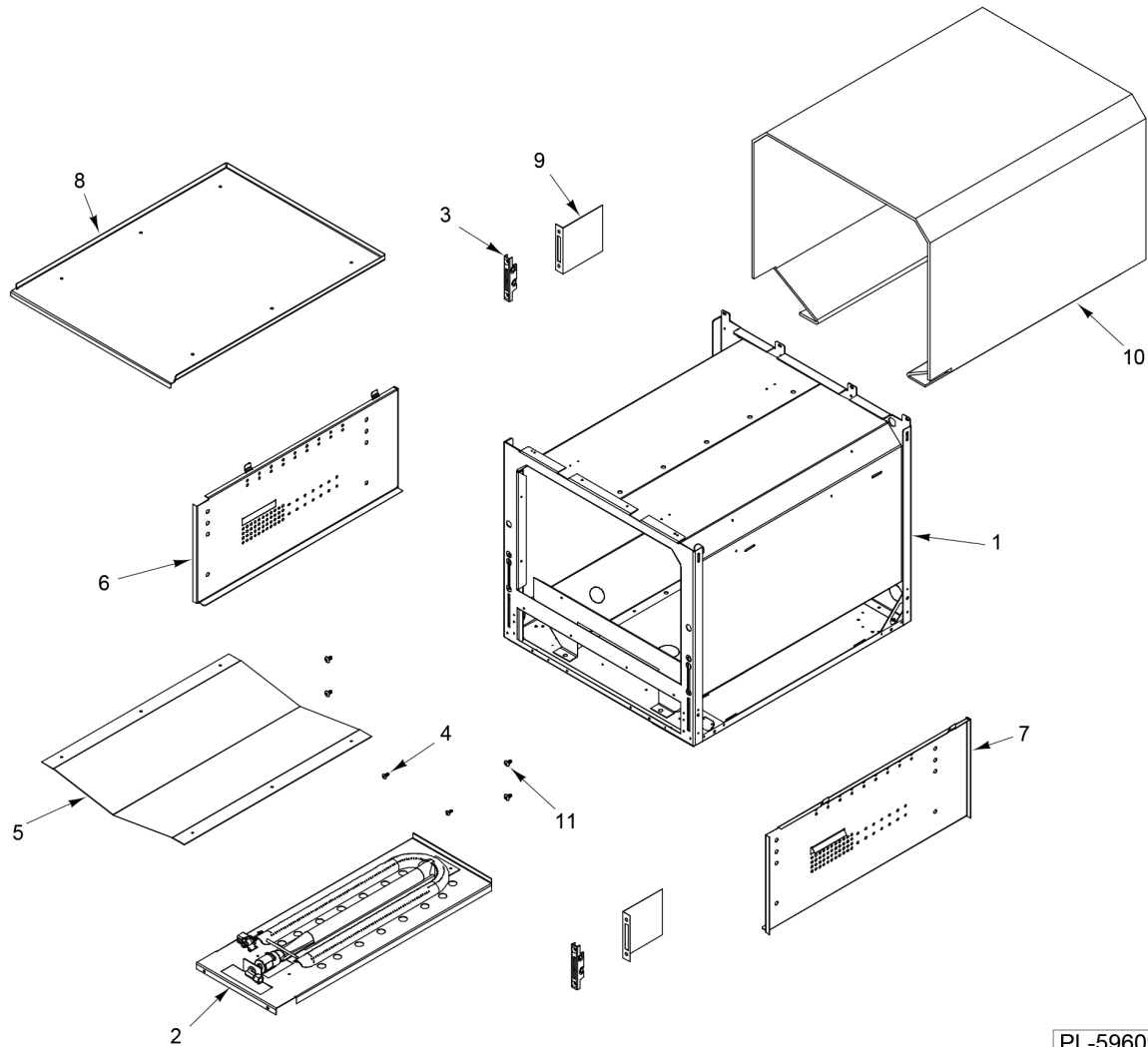
PL-59613

OVEN BURNER ASSEMBLY

OVEN BURNER ASSEMBLY

ILLUS.	PART NO.	NAME OF PART	AMT.
PL-59613			
1	00-921023	Carrier - Burner.....	1
2	00-404079-0000F	Elbow 7/16 Orifice Nozzle - Oven Burner.....	1
*3		Valve Hood.....	1
4	00-426262-00001	Pilot Assy. (NAT).....	1
5	00-426262-00002	Pilot Assy. (LP).....	1
6	00-921091-0000A	Burner - Oven Module.....	1

* See Orifice Chart



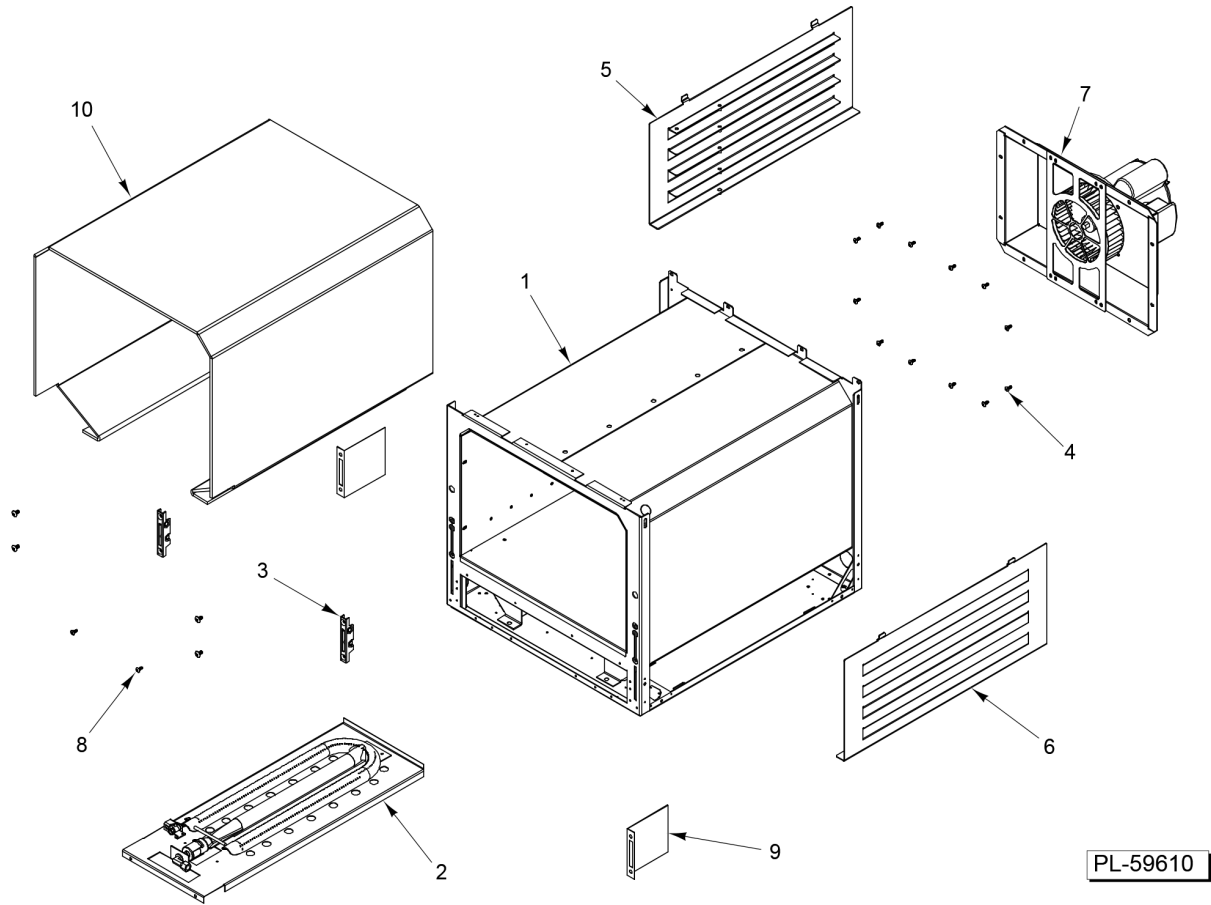
PL-59609

**STANDARD OVEN MODULE
(24 SERIES)**

**STANDARD OVEN MODULE
(24 SERIES)**

ILLUS.	PART NO.	NAME OF PART	AMT.
PL-59609			
1	00-923500-0000A	Frame Assy. (24 In.).....	1
*2	00-921021-0000A	Oven Burner Assy.....	1
3	00-497029-00001	Door Hinge Stop.....	2
4	00-730228	Self-Tapping Screw 10-24 x 1/2 Phil. Truss Hd.....	2
5	00-923516	Flame Deflector.....	1
6	00-921073	Side Panel - Left.....	1
7	00-921078	Side Panel - Right.....	1
8	00-923515	Cavity Bottom (24 In. Oven).....	1
9	00-921095	Insulation - Door Hinge.....	2
10	00-923527	Insulation Blanket (24 In.).....	1
11	00-723369	Mach. Screw 1/4-20 x 1/2 Phil. Truss Hd.....	4

* See Oven Burner Assembly for servicable parts.

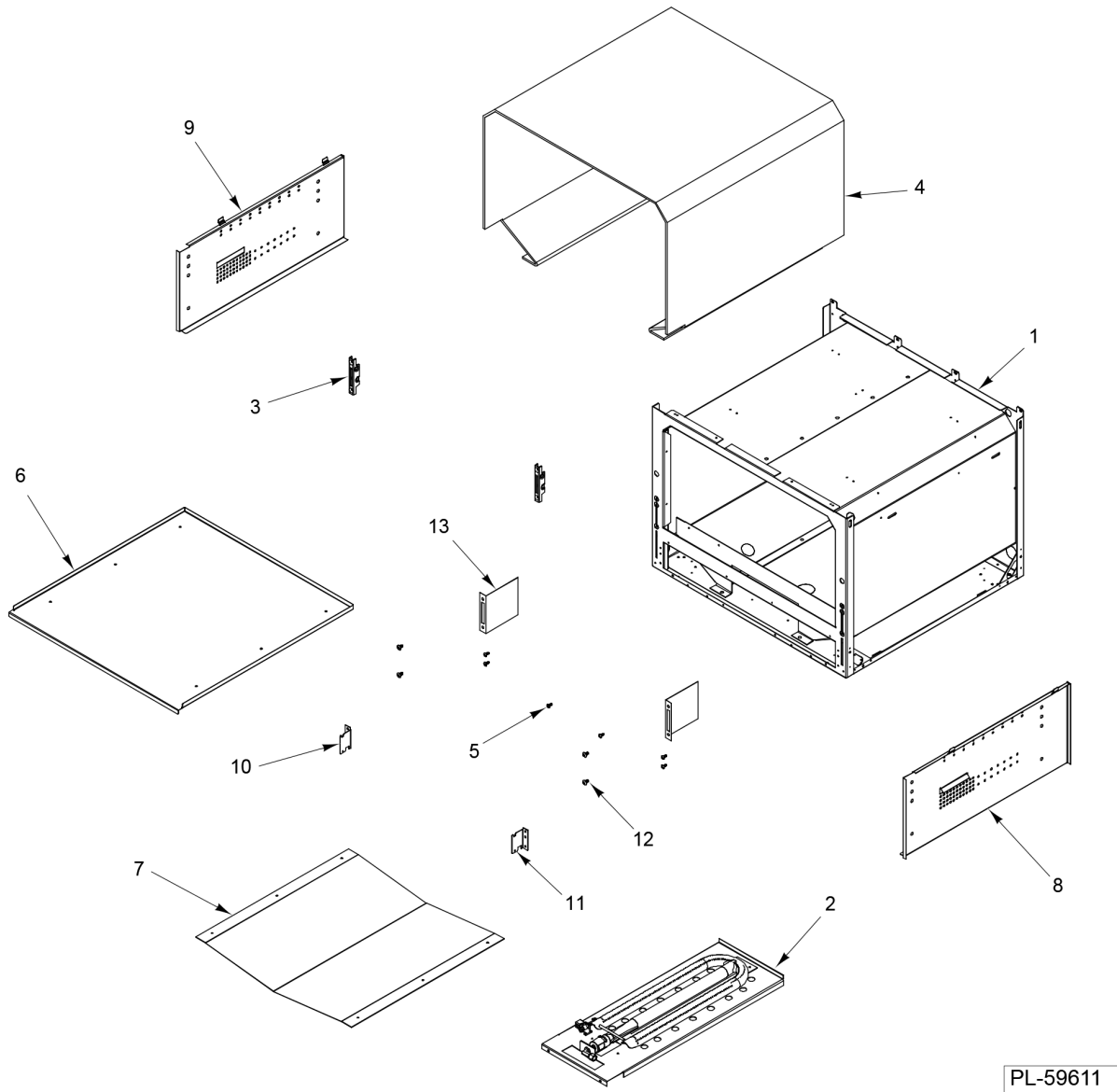


**CONVECTION OVEN MODULE
(24 SERIES)**

**CONVECTION OVEN MODULE
(24 SERIES)**

ILLUS.	PART NO.	NAME OF PART	AMT.
PL-59610			
1	00-921676-0000A	Convection Oven Cavity Assy. (24 In.).....	1
*2	00-921021-0000A	Oven Burner Assy.....	1
3	00-497029-00001	Door Hinge Stop.....	2
4	00-730228	Self-Tapping Screw 10-24 x 1/2 Phil. Truss Hd.....	14
5	00-921547-0000A	Rack Guide Assy. (Left).....	1
6	00-921546-0000A	Rack Guide Assy. (Right).....	1
**7	00-921500-0A-24	Motor Assy. (24 In. Convection Oven).....	1
8	00-723369	Mach. Screw 1/4-20 x 1/2 Phil. Truss Hd.....	4
9	00-921095	Insulation - Door Hinge.....	2
10	00-923527	Insulation Blanket (24 In.).....	1

* See Oven Burner Assembly for servicable parts.
 ** See Convection Motor Assembly for servicable parts.

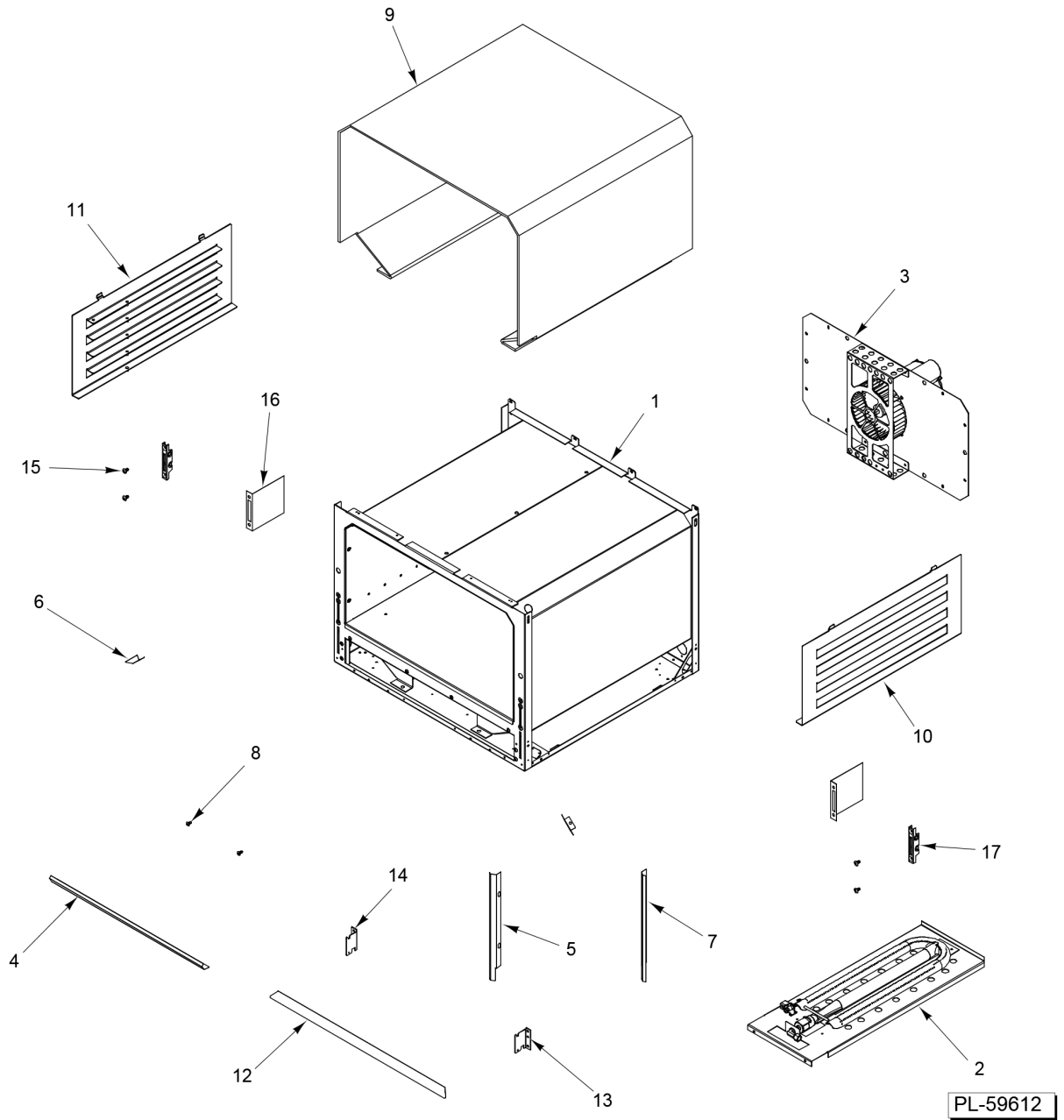


**STANDARD OVEN MODULE
(36 SERIES)**

**STANDARD OVEN MODULE
(36 SERIES)**

ILLUS.	PART NO.	NAME OF PART	AMT.
PL-59611			
1	00-921070-0000A	Oven Module (30 In.).....	1
*2	00-921021-0000A	Oven Burner Assy.....	1
3	00-497029-00001	Door Hinge Stop.....	2
4	00-921035	Insulation Blanket.....	1
5	00-730228	Self-Tapping Screw 10-24 x 1/2 Phil. Truss Hd.....	6
6	00-921015	Cavity Bottom (30 In.).....	1
7	00-921080	Flame Deflector.....	1
8	00-921325	Side Liner - Right.....	1
9	00-921326	Side Liner - Left.....	1
10	00-921203	Hinge - Kick Panel (LH).....	1
11	00-921204	Hinge - Kick Panel (RH).....	1
12	00-723369	Mach. Screw 1/4-20 x 1/2 Phil. Truss Hd.....	4
13	00-921095	Insulation - Door Hinge.....	2

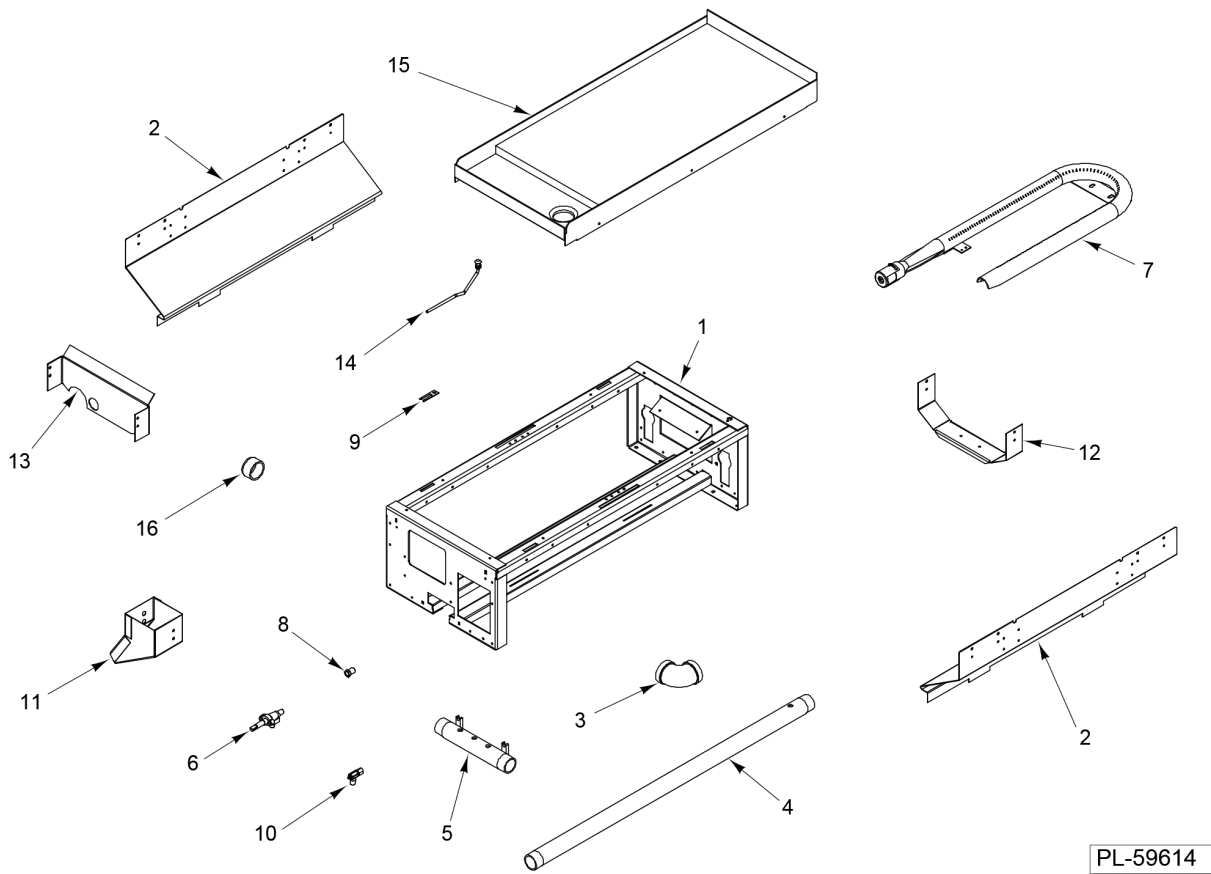
* See Oven Burner Assembly for servicable parts.



**CONVECTION OVEN MODULE
(36 SERIES)
(ON OR AFTER 3/10/2010)**

**CONVECTION OVEN MODULE
(36 SERIES)
(ON OR AFTER 3/10/2010)**

ILLUS. PL-59612	PART NO.	NAME OF PART	AMT.
1	00-921469-0000A	Bottom Assy. (30 In. Convection).....	1
2	00-921021-0000A	Oven Burner Assy.....	1
3	00-921695-0000A	Motor Assy. (FB).....	1
4	00-921512	Seal - Top.....	1
5	00-921513	Side Seal - Left.....	1
6	00-921514	Seal - Corner.....	2
7	00-921536	Side Seal - Right.....	1
8	00-730228	Self-Tapping Screw 10-24 x 1/2 Phil. Truss Hd.....	34
9	00-921035	Insulation Blanket.....	1
10	00-921546-0000A	Rack Guide Assy. (Right).....	1
11	00-921547-0000A	Rack Guide Assy. (Left).....	1
12	00-921537	Seal - Bottom.....	1
13	00-921204	Hinge - Kick Panel (RH).....	1
14	00-921203	Hinge - Kick Panel (LH).....	1
15	00-723369	Mach. Screw 1/4-20 x 1/2 Phil. Truss Hd.....	4
16	00-921095	Insulation - Door Hinge.....	2
17	00-497029-00001	Door Hinge Stop.....	2



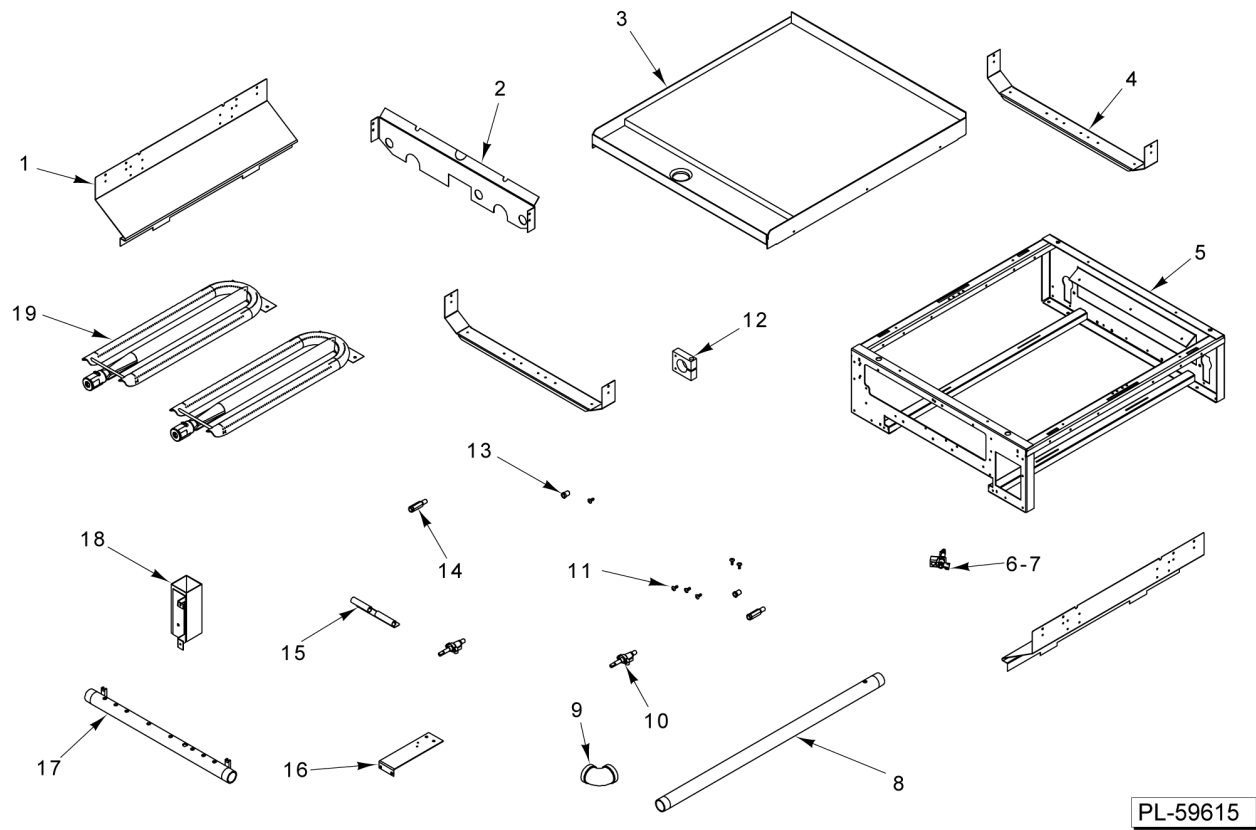
PL-59614

**GRIDDLE TOP MODULE
(12 INCH UNIT)**

**GRIDDLE TOP MODULE
(12 INCH UNIT)**

ILLUS.	PART NO.	NAME OF PART	AMT.
PL-59614			
1	00-924002-0000A	Weldment - Frame Assy. (12 In.).....	1
2	00-925015	Drip Pan Guide.....	2
3	00-925053	Elbow (1 In.).....	1
4	00-929004	Inlet Pipe (1 In.).....	1
5	00-924005-0000A	Manifold Weldment (12 In.).....	1
6	00-497240-00001	Valve - Manifold Griddle.....	1
7	00-924020-0000A	Burner - Griddle XL.....	1
*8		Orifice.....	1
9	00-413302-00001	Clip - Pilot Mounting.....	1
10	00-404193-00001	Valve - Pilot Adjustable (3/16 In.).....	1
11	00-924016-0000A	Grease Chute Assy.....	1
12	00-924019	Support - Burner.....	1
13	00-924028	Heat Shield (12 In.).....	1
14	00-428915-00001	Griddle Pilot Tube/Tip Assy.....	1
15	00-924012-0000A	Griddle Assy.....	1
16	00-929016	Cap (1 to 1 1/2).....	1

* See Orifice Chart

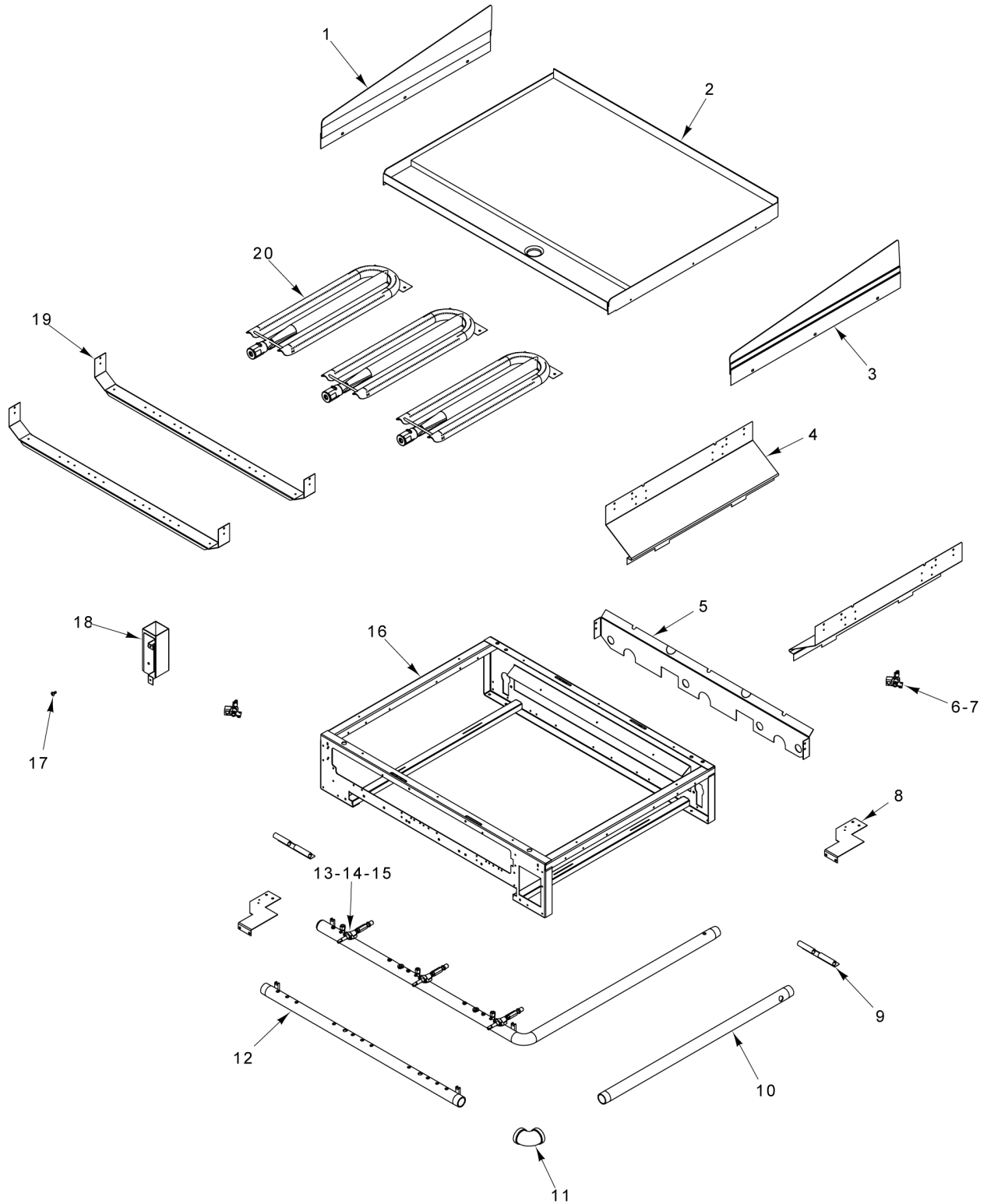


**GRIDDLE TOP MODULE
(24 INCH UNIT)**

**GRIDDLE TOP MODULE
(24 INCH UNIT)**

ILLUS. PL-59615	PART NO.	NAME OF PART	AMT.
1	00-925015	Drip Pan Guide.....	2
2	00-926518	NLA - Obsolete--Heat Shield (24 in. Griddle).....	1
3	00-924511-0000A	Griddle Plate Assy. (24 In.).....	1
4	00-924503	Burner Support.....	2
5	00-924502-0000A	Weldment - Frame Assy. (24 In.).....	1
6	00-426262-00001	Pilot Assy. (NAT).....	1
7	00-426262-00002	Pilot Assy. (LP).....	AR
8	00-929004	Inlet Pipe (1 In.).....	1
9	00-925053	Elbow (1 In.).....	4
10	00-497240-00001	Valve - Manifold Griddle.....	2
11	00-730228	Self-Tapping Screw 10-24 x 1/2 Phil. Truss Hd.....	6
12	00-921009	Saddle Clamp.....	1
*13		Orifice.....	2
14	00-926523	Valve - Extension.....	2
15	00-921074	Flash Tube - Griddle.....	1
16	00-921075	Bracket - Pilot Mount.....	1
17	00-921027-0000A	NLA - Obsolete--Manifold Weldment (24 In.).....	1
18	00-926519-0000A	Grease Chute Assy.....	1
19	00-926509-0000A	Burner - Griddle XL (24 & 36 In.).....	2
	00-926513-0000A	Splash Assy. - Outer (RH).....	1
	00-926527-0000A	Splash Assy. - Outer (LH).....	1
	00-719179	Valve - Single Pilot.....	1
	00-426505-00012	Tubing - Pilot Flex 1/4 O.D. x 12 In.....	1

* See Orifice Chart



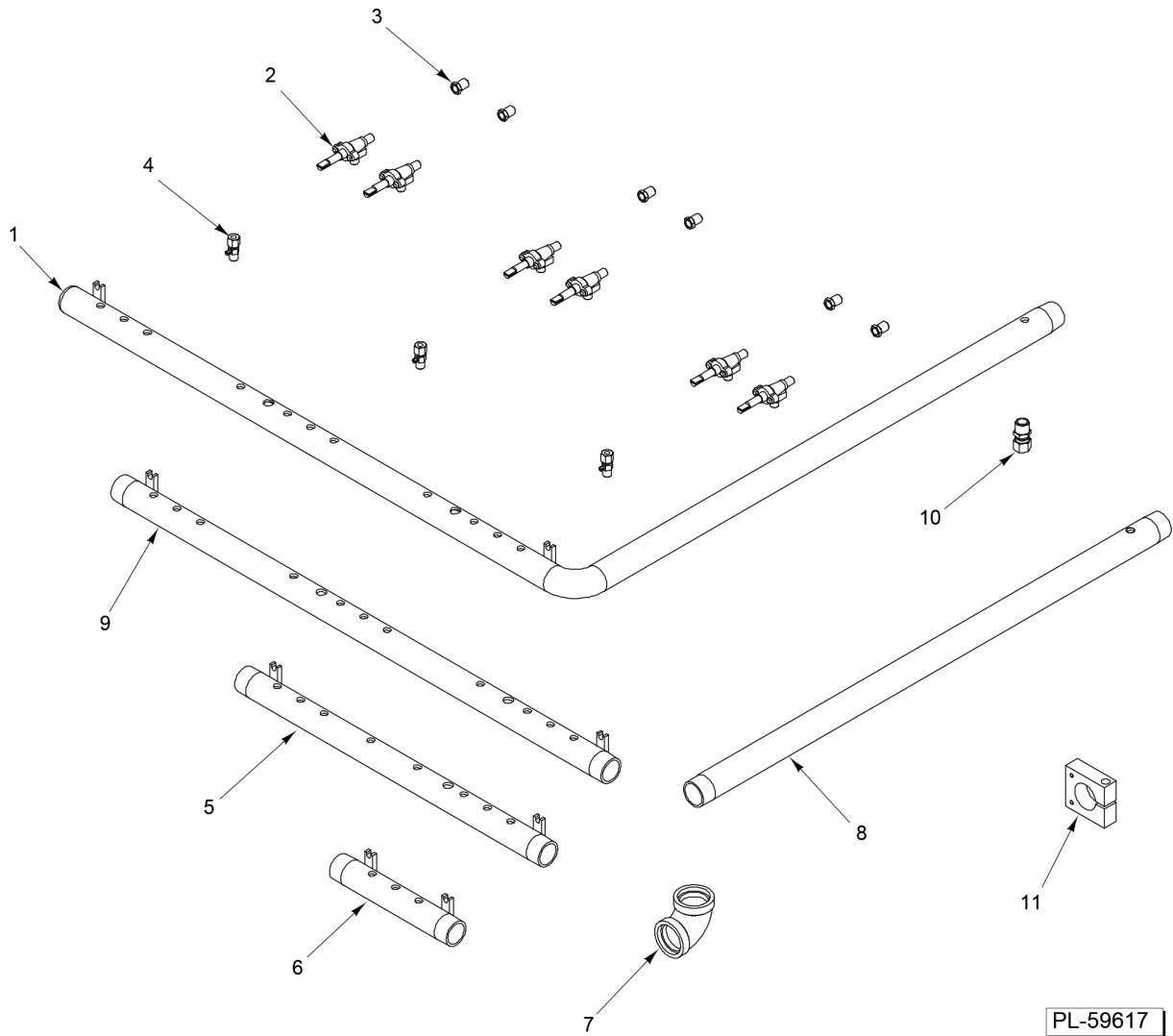
PL-59616

**GRIDDLE TOP MODULE
(36 INCH UNIT)**

**GRIDDLE TOP MODULE
(36 INCH UNIT)**

ILLUS.	PART NO.	NAME OF PART	AMT.
PL-59616			
1	00-926527-0000A	Splash Assy. - Outer (LH).....	1
2	00-926500-0000A	Griddle Plate Assy. (36 In.).....	1
3	00-926513-0000A	Splash Assy. - Outer (RH).....	1
4	00-925015	Drip Pan Guide.....	2
5	00-926504	Heat Shield (T-Stat Griddle).....	1
6	00-426262-00001	Pilot Assy. (NAT).....	2
7	00-426262-00002	Pilot Assy. (LP).....	2
8	00-924523	Bracket - Pilot Mount Left.....	2
9	00-921074	Flash Tube - Griddle.....	2
10	00-929004	Inlet Pipe (1 In.).....	1
11	00-925053	Elbow (1 In.).....	1
12	00-921029-0000A	Manifold Weldment (36 In.).....	1
13	00-719179	Valve - Single Pilot Adjustment.....	2
14	00-497240-00001	Valve - Manifold Griddle.....	3
15	00-956253	Valve - Extension.....	3
16	00-925003-0000A	Top Frame Assy. (36 In.).....	1
17	00-730228	Self-Tapping Screw 10-24 x 1/2 Phil. Truss Hd.....	AR
18	00-926519-0000A	Grease Chute Assy.....	1
19	00-925013	Burner Support (36 In. Griddle).....	2
20	00-926509-0000A	Burner - Griddle XL (24 & 36 In.).....	3
*		Orifice.....	3

* See Orifice Chart

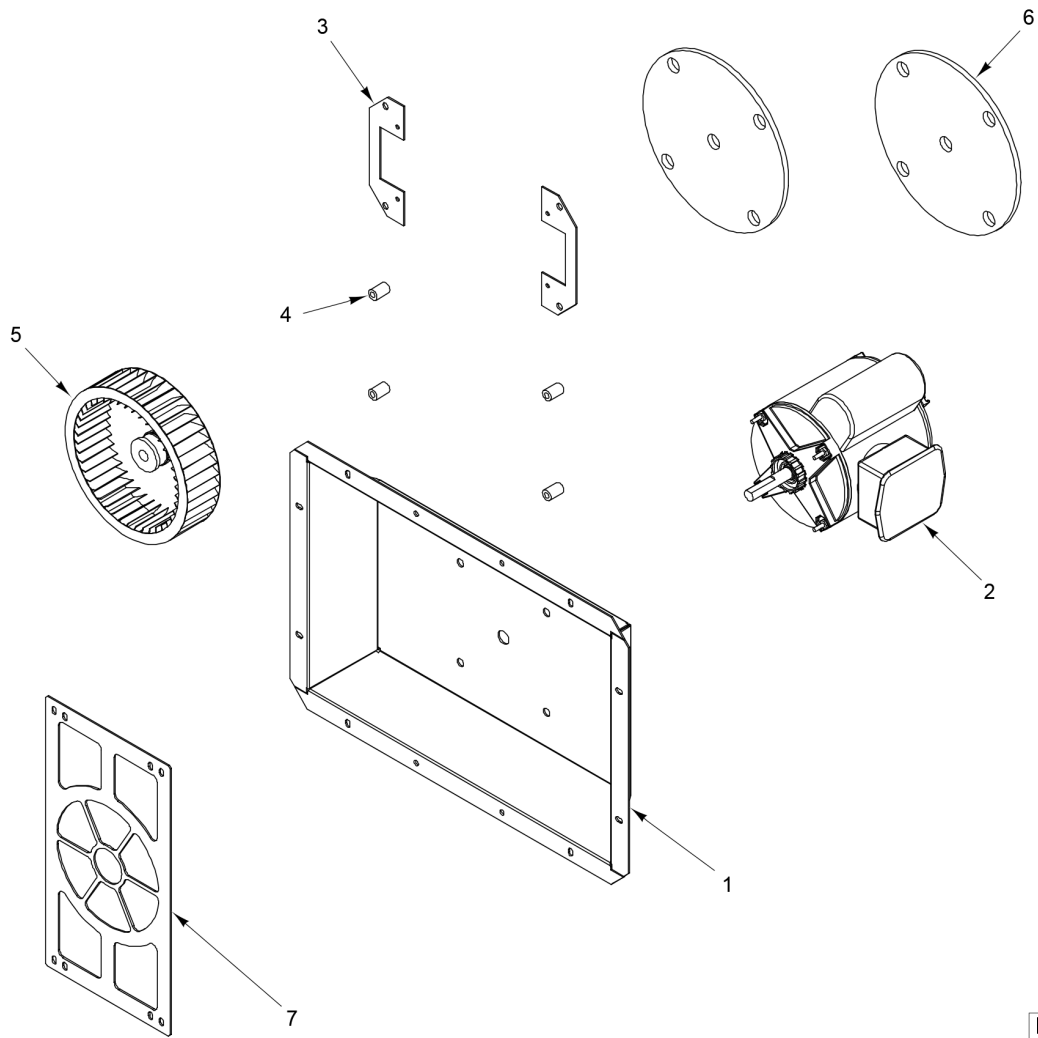


OPEN TOP BURNER MANIFOLD ASSEMBLIES

OPEN TOP BURNER MANIFOLD ASSEMBLIES

ILLUS.	PART NO.	NAME OF PART	AMT.
PL-59617			
1	00-925008-0000A	Pipe - Manifold Module (36 In.).....	1
2	00-719221	Valve Adjustable (With Split Stem) (36 In.).....	6
	00-719221	Valve Adjustable (With Split Stem) (24 In.).....	4
	00-719221	Valve Adjustable (With Split Stem) (12 In.).....	2
*3		Orifice (36 In.).....	6
*		Orifice (24 In.).....	4
*		Orifice (12 In.).....	2
4	00-719179	Valve - Single Pilot (36 In.).....	3
	00-719179	Valve - Single Pilot (24 In.).....	2
	00-719179	Valve - Single Pilot (12 In.).....	1
5	00-921027-0000A	NLA - Obsolete--Manifold Weldment (24 In.).....	1
6	00-924005-0000A	Manifold Weldment (12 In.).....	1
7	00-925053	Elbow (1 In.).....	1
8	00-929004	Inlet Pipe (1 In.).....	1
9	00-921029-0000A	Manifold Weldment (36 In.).....	1
10	FP-085-42	Fitting - Tube (7/16 TBG X 3/8 MPT).....	1
11	00-921009	Saddle Clamp.....	AR

* See Orifice Chart

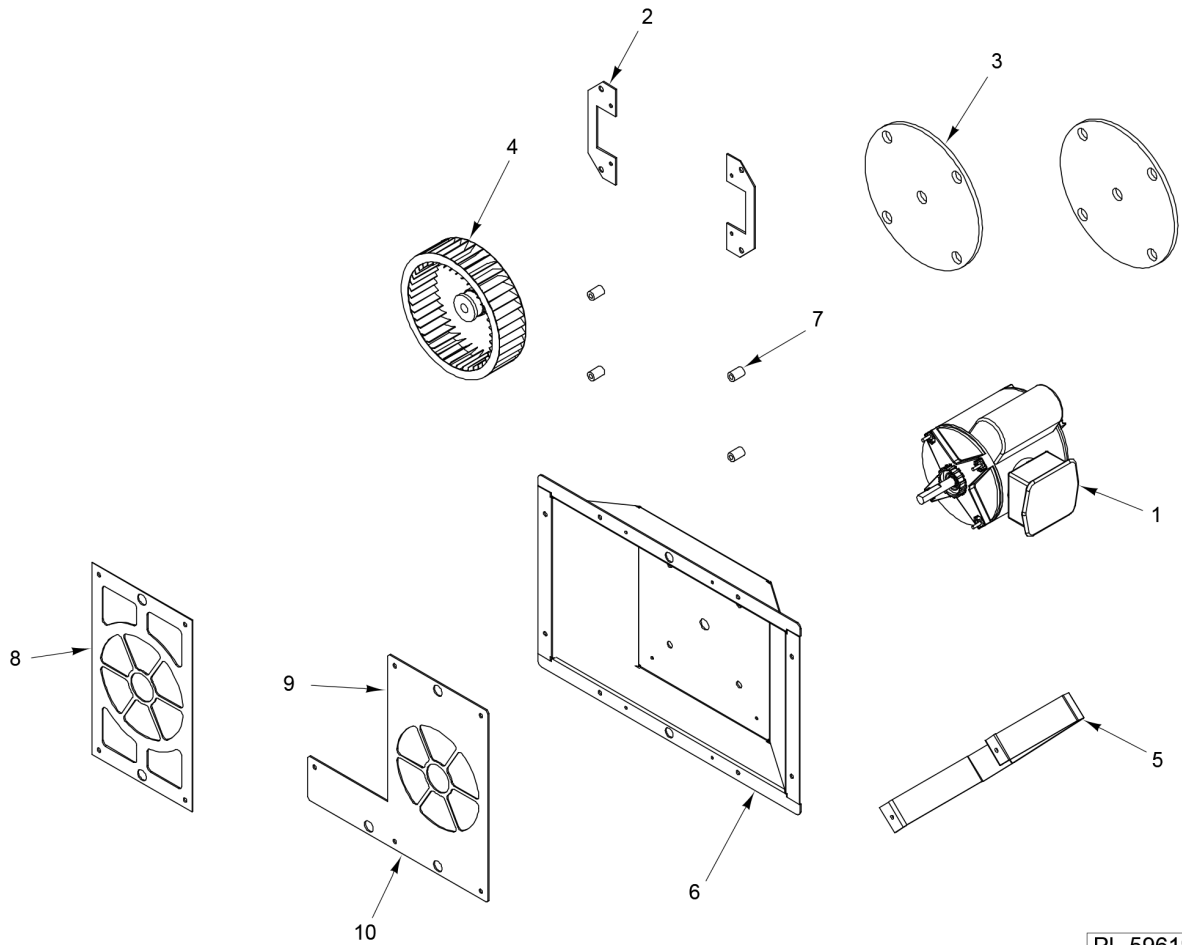


PL-59618

**CONVECTION MOTOR ASSEMBLY
(24 INCH UNIT)**

**CONVECTION MOTOR ASSEMBLY
(24 INCH UNIT)**

ILLUS.	PART NO.	NAME OF PART	AMT.
PL-59618			
1	00-921459	Motor Mount HB.....	1
2	00-419730-00001	Motor (1/6 Hp., 115/208-230 V., 50/60 Hz., 1 Ph.).....	1
3	00-419719-00002	Bracket - Motor Mount.....	2
4	00-712380	Spacer.....	4
5	00-415780-00008	Wheel - Blower (Incls. Set Screws).....	1
6	00-428898-00008	Motor Insulation.....	2
7	00-921465	Guard - Motor.....	1
	00-921093	Guard - Motor Grease.....	1
	00-921631	Deflector - Air Flow.....	1

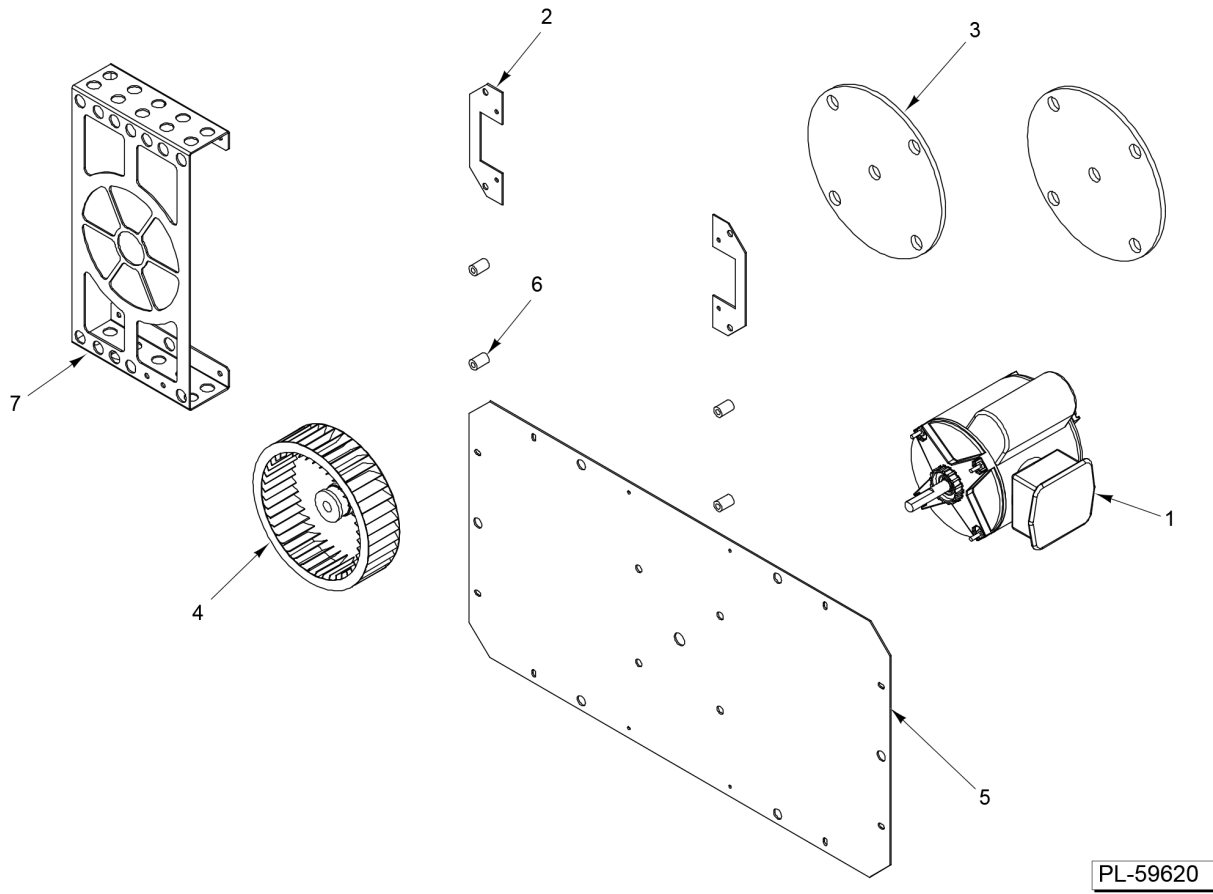


PL-59619

**CONVECTION MOTOR ASSEMBLY
(30 INCH UNIT)**

**CONVECTION MOTOR ASSEMBLY
(30 INCH UNIT)**

ILLUS.	PART NO.	NAME OF PART	AMT.
PL-59619			
1	00-419730-00001	Motor (1/6 Hp., 115/208-230 V., 50/60 Hz., 1 Ph.).....	1
2	00-419719-00002	Bracket - Motor Mount.....	2
3	00-428898-00008	Motor Insulation.....	2
4	00-415780-00008	Wheel - Blower (Incls. Set Screws).....	1
5	00-428347-00001	Motor Guard.....	1
6	00-921576	Motor Mount HB (Dom: 05/05/2009 To 03/09/2010).....	1
7	00-712380	Spacer.....	4
8	00-921515	Guard - Motor (Rev C, Dom: 05/05/2008 To 2/17/2009).....	1
9	00-921575	Blower Cover HB (Rev B, Dom: 10/19/2009 To 01/27/2010).....	1
10	00-921575	Blower Cover HB.....	1



PL-59620

**CONVECTION MOTOR ASSEMBLY
(FB)
(30 INCH UNIT)**

**CONVECTION MOTOR ASSEMBLY
(FB)
(30 INCH UNIT)**

ILLUS.	PART NO.	NAME OF PART	AMT.
PL-59620			
1	00-419730-00001	Motor (1/6 Hp., 115/208-230 V., 50/60 Hz., 1 Ph.).....	1
2	00-419719-00002	Bracket - Motor Mount.....	2
3	00-428898-00008	Motor Insulation.....	2
4	00-415780-00008	Wheel - Blower (Incls. Set Screws).....	1
5	00-921640	Motor Mount HB.....	1
6	00-712380	Spacer.....	4
7	00-921658	Blower Cover HB.....	1
	00-921093	Guard - Motor Grease.....	1
	00-921631	Deflector - Air Flow.....	1

NO
PICTURE
AVAILABLE

**STEP-UP BURNERS - ML STEP-UP
(12 IN.) (VULCAN)**

use when no PL illustration is needed or available

**STEP-UP BURNERS - ML STEP-UP
(12 IN.) (VULCAN)**

ILLUS. PL-BLANK	PART NO.	NAME OF PART	AMT.
	00-719237	Nut 3/16 Alpha Brass (P/N A64009).....	1
	00-730228	Self-Tapping Screw 10-24 x 1/2 Phil. Truss Hd. (Reviewed DWM 8/26/08).....	6
	00-921298	Grate Stop.....	1
	00-921329-0000A	Rear Frame - Step-Up (36 In.).....	1
	00-921330	Burner Head - Step-Up.....	1
	00-921382	Bracket - Pilot Step-Up.....	1
	00-921419-0000A	Pilot Tube Assy. - Step-Up.....	1
	00-413302-00001	Clip - Pilot Mounting.....	2
	00-719243	Brass Sleeve (3/16).....	1

NO
PICTURE
AVAILABLE

**STEP-UP BURNERS - ML-137209-00HTV HOT TOP MODULE
(12 IN.) (VULCAN)**

use when no PL illustration is needed or available

**STEP-UP BURNERS - ML-137209-00HTV HOT TOP MODULE
(12 IN.) (VULCAN)**

ILLUS. PL-BLANK	PART NO.	NAME OF PART	AMT.
	00-921416	I & O Manual Supplement Sheet.....	1
	00-924002-0000A	Weldment - Frame Assy. (12 In.).....	1
	00-924005-0000A	Manifold Weldment (12 In.).....	1
	00-924008	Manifold Cover (12 In.).....	1
	00-924019	Support - Burner (12 In.).....	1
	00-924020-0000A	Burner - Griddle XL (12 In.).....	1
	00-924028	Heat Shield (12 In.).....	1
	00-925015	Crumb Tray Guide (CHR XL).....	2
	00-927011	Knob - Griddle XL.....	1
	00-404193-00001	Valve 1/8 x 1/4 90 Deg. (Pilot Adjustment Valve, 260 Broiler) (Reviewed DM 10/7/08) (Adjustable Pilot Valve For 260 Endurance & MSA Griddle).....	1
	00-428915-00001	Griddle Pilot Tube/Tip Assy. (T3-BZ001-10).....	1
	00-497240-00001	Valve - Manifold Valve - Griddle Burner.....	1
	00-497246-00001	Knob - Griddle/Broiler.....	1

NO
PICTURE
AVAILABLE

**STEP-UP BURNERS - ML-137210-0001V HOT TOP MODULE
(24 IN.) (VULCAN)**

use when no PL illustration is needed or available

**STEP-UP BURNERS - ML-137210-0001V HOT TOP MODULE
(24 IN.) (VULCAN)**

ILLUS.	PART NO.	NAME OF PART	AMT.
PL-BLANK			
	00-426505-000012	Tube - Flex (1/4 x 12 In.).....	1
	00-921074	Flash Tube - Griddle (24 In.).....	1
	00-921075	Bracket - Pilot Mount (24 In.).....	1
	00-921416	I & O Manual Supplement Sheet.....	1
	00-924024-0000A	Manifold Pipe Assy.....	1
	00-924502-0000A	Weldment - Frame Assy. (24 In.).....	1
	00-924503	Burner Support (24 In.).....	2
	00-924510-0000A	Weldment - Crumb Tray (24 In.).....	1
	00-924514	Cover - Manifold (24 In.).....	1
	00-925015	Crumb Tray Guide (CHR XL).....	2
	00-926509-0000A	Burner - Griddle XL.....	2
	00-926518	NLA - Obsolete--Heat Shield.....	1
	00-497246-00001	Knob - Griddle/Broiler.....	2

NO
PICTURE
AVAILABLE

**STEP-UP BURNERS - ML-137211-00HTV HOT TOP MODULE
(36 IN.) (VULCAN)**

use when no PL illustration is needed or available

**STEP-UP BURNERS - ML-137211-00HTV HOT TOP MODULE
(36 IN.) (VULCAN)**

ILLUS.	PART NO.	NAME OF PART	AMT.
PL-BLANK			
	00-426505-00012	Tubing - Pilot Flex 1/4 O.D. x 12 In.....	1
	00-719179	Valve - Single Pilot (Reviewed DWM 9/3/08).....	2
	00-730228	Self-Tapping Screw 10-24 x 1/2 Phil. Truss Hd. (Reviewed DWM 8/26/08).....	5
	00-921029-0000A	Manifold Weldment (36 In.).....	1
	00-921034	NLA - Obsolete--Manifold Cover (36 In.) (CHR XL).....	1
	00-921074	Flash Tube - Griddle (24 In.).....	2
	00-921075	Bracket - Pilot Mount (24 In.).....	2
	00-921416	I & O Manual Supplement Sheet.....	1
	00-925003-0000A	Top Frame Assy. (36 In.) (CHR XL).....	1
	00-925013	Burner Support (36 In.).....	2
	00-925015	Crumb Tray Guide (CHR XL).....	2
	00-926504	Heat Shield (T-Stat Griddle) (36 In.).....	1
	00-926509-0000A	Burner - Griddle XL.....	3
	00-926523	Valve - Extension (2.13 Orifice).....	3
	00-4497240-00001	Valve - Griddle Burner.....	3
	00-497246-00001	Knob - Griddle/Broiler.....	3

NO
PICTURE
AVAILABLE

STEP-UP BURNERS - ML-137251-000HT HOT TOPS

use when no PL illustration is needed or available

STEP-UP BURNERS - ML-137251-000HT HOT TOPS

ILLUS.	PART NO.	NAME OF PART	AMT.
PL-BLANK			
	00-925057	Hot Top - Front.....	1
	00-925058	Hot Top - Rear.....	1

