



CATALOG OF REPLACEMENT PARTS

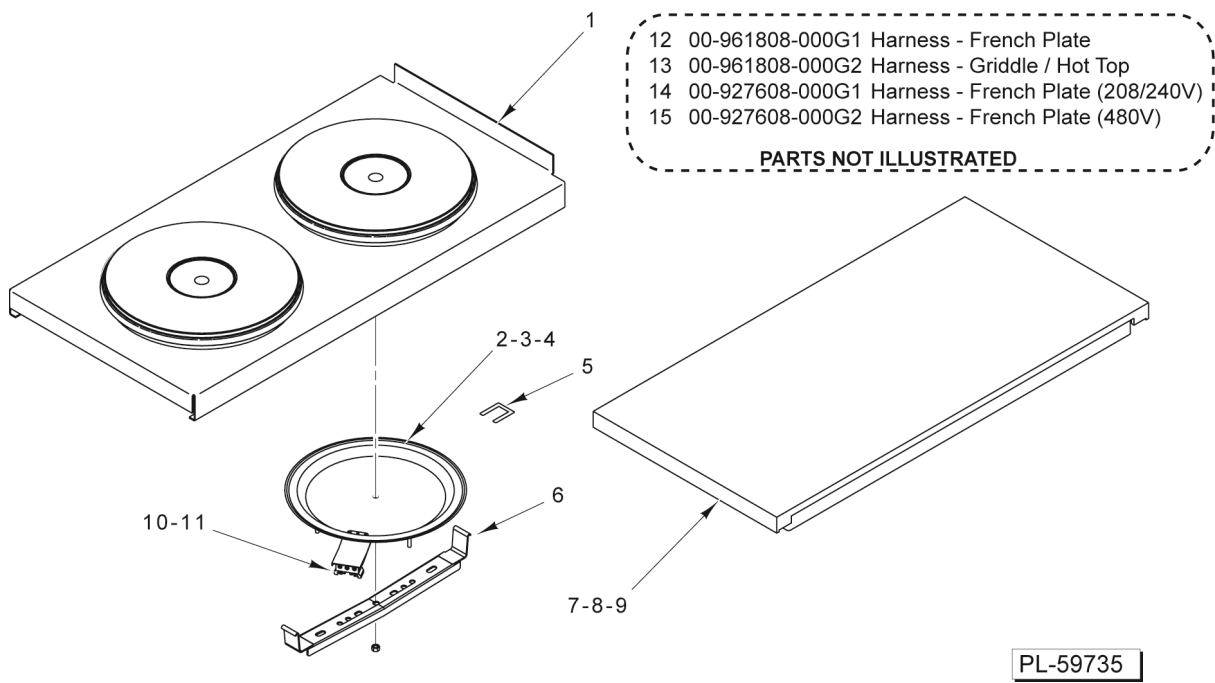
EV SERIES ELECTRIC RANGES



EV12
EV24S
EV36S
EV48S
EV60S
EV72S

Table of Contents

| | |
|----|--|
| 5 | PLATES |
| 7 | OVEN CONTROLS (208-240 V.) |
| 9 | OVEN CONTROLS (480 V.) |
| 11 | CONTROLS AND ELECTRICAL COMPONENTS (12 INCH) |
| 13 | CONTROLS AND ELECTRICAL COMPONENTS (24 INCH) |
| 15 | CONTROLS AND ELECTRICAL COMPONENTS (36 INCH) |
| 17 | BODY (12 INCH) |
| 19 | BODY (24 INCH) |
| 21 | BODY (36 INCH) |
| 23 | DOOR ASSEMBLY (BEFORE 10/31/2014) |
| 25 | DOOR ASSEMBLY (AFTER 10/31/2014) |
| 27 | RANGE GRIDDLE |
| 29 | BACKSPLASH, SHELF, AND BULL NOSE (ALL SIZES) |
| 31 | OVEN ELEMENT |

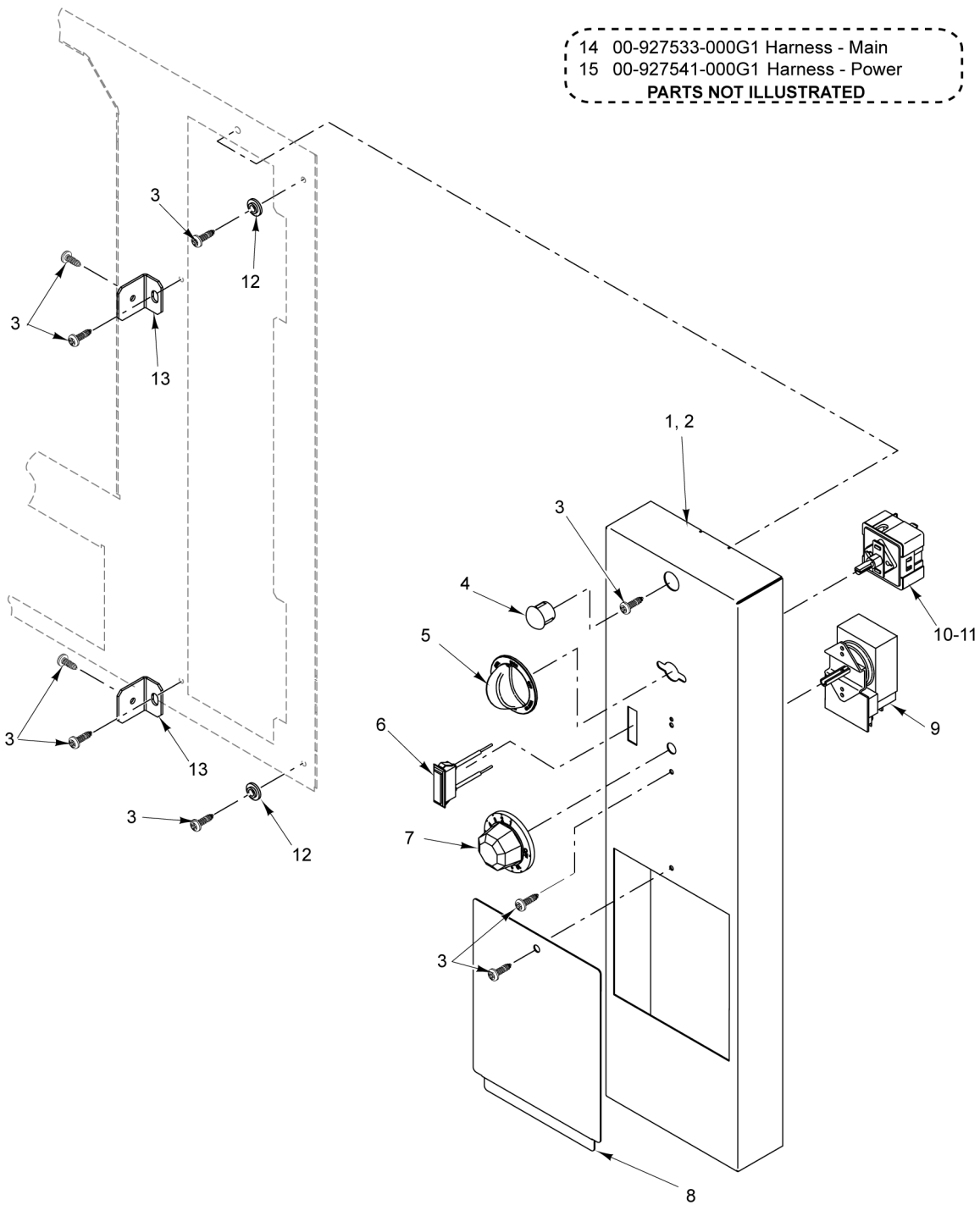


PLATES

PLATES

| ILLUS. | PART NO. | NAME OF PART | AMT. |
|----------|-----------------|---|------|
| PL-59735 | | | |
| 1 | 00-927501-0000A | Plate - Aeration (French Plate)..... | AR |
| 2 | 00-421240-00001 | Plate - French E.G.O. (208 V.)..... | AR |
| 3 | 00-421240-00002 | Plate - French E.G.O. (240 V.)..... | AR |
| 4 | 00-421240-00003 | Plate - French E.G.O. (480 V.)..... | AR |
| 5 | 00-415049-00001 | Strap - Jumper..... | AR |
| 6 | 00-415048-00001 | Clamp..... | AR |
| 7 | 00-421320-00001 | Top - Hot (208 V.)..... | AR |
| 8 | 00-421320-00002 | Top - Hot (240 V.)..... | AR |
| 9 | 00-421320-00003 | Top - Hot (480 V.)..... | AR |
| *10 | 00-335223-00001 | Terminal Block Assy. (Plate) (208-240 V.)..... | AR |
| *11 | 00-335223-00002 | Terminal Block Assy. (Plate) (480 V.)..... | AR |
| 12 | 00-961808-000G1 | Harness - French Plates (Infinite Switch to Element)..... | AR |
| 13 | 00-961808-000G2 | Harness - Griddle / Hot Top (Thermostat to Element)..... | AR |
| 14 | 00-927608-000G1 | Harness - French Plate (208/240 V.)..... | AR |
| 15 | 00-927608-000G2 | Harness - French Plate (480 V.)..... | AR |

* (Service part, not required if the French Plate is being replaced.)



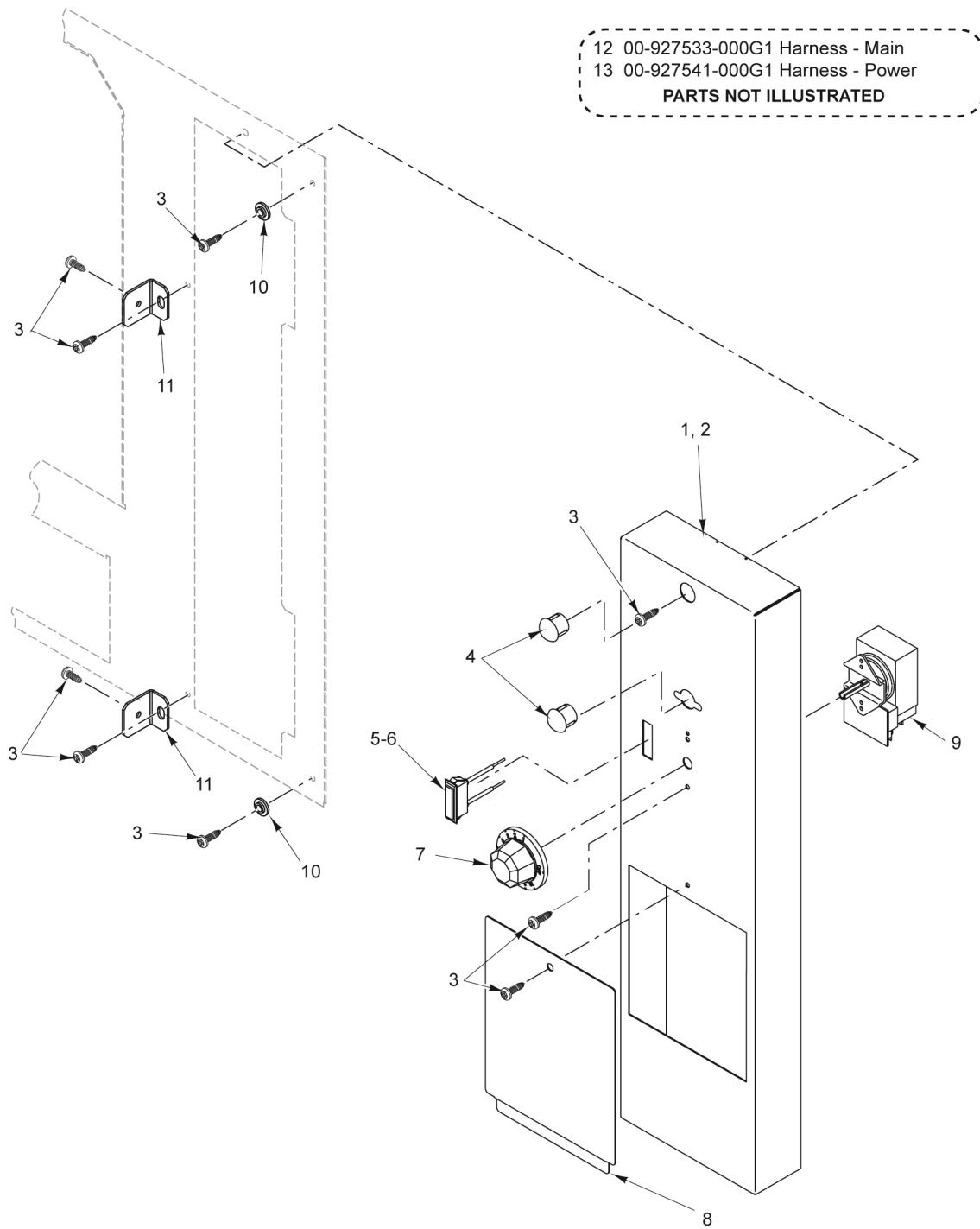
PL-59734

**OVEN CONTROLS
(208-240 V.)**

**OVEN CONTROLS
(208-240 V.)**

| ILLUS. | PART NO. | NAME OF PART | AMT. |
|----------|-----------------|--|------|
| PL-59734 | | | |
| *1 | 00-927506 | Panel - Control, Electric..... | 1 |
| **2 | 00-961562-000EV | Panel - Oven..... | 1 |
| 3 | 00-730228 | Self-Tapping Screw 10-24 x 1/2 Phil. Truss Hd..... | AR |
| *4 | 00-928068-00001 | Plug..... | 1 |
| 5 | 00-927603-00001 | Knob - Infinite Switch..... | 1 |
| 6 | 00-428900-000G3 | Light - Indicator..... | 1 |
| 7 | 00-418060-00002 | Dial - Thermostat..... | 1 |
| 8 | 00-927507 | Door - Access..... | 1 |
| 9 | 00-411506-00014 | Thermostat (175-550 Deg. F)..... | 1 |
| 10 | 00-411503-00004 | Switch - Infinite Switch..... | 1 |
| 11 | NS-047-80 | Lock Nut 3/8-24 Hex..... | 1 |
| **12 | 00-961551 | Bracket - Oven Panel..... | 2 |
| **13 | 00-961552 | Washer - Shoulder..... | 2 |
| 14 | 00-927533-000G1 | Harness - Main (LH)..... | 1 |
| 15 | 00-927541-000G1 | Harness - Power..... | 1 |

* Before June 2017
 ** Starting June 2017



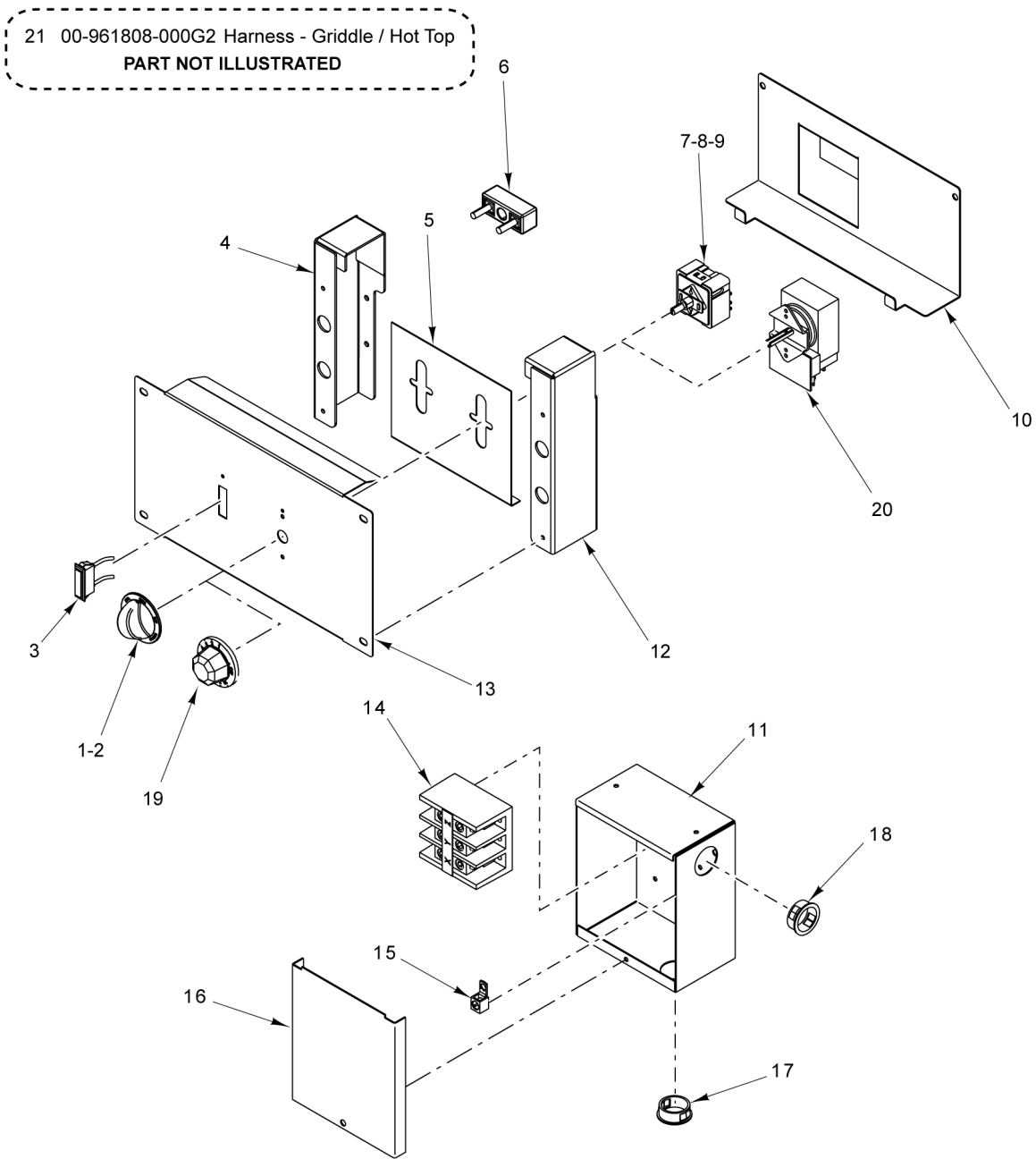
PL-65169

**OVEN CONTROLS
(480 V.)**

**OVEN CONTROLS
(480 V.)**

| ILLUS. | PART NO. | NAME OF PART | AMT. |
|----------|-----------------|--|------|
| PL-65169 | | | |
| *1 | 00-927506 | Panel - Control, Electric..... | 1 |
| **2 | 00-961562-EV480 | Panel - Oven..... | 1 |
| 3 | 00-730228 | Self-Tapping Screw 10-24 x 1/2 Phil. Truss Hd..... | AR |
| *4 | 00-928068-00001 | Plug..... | 2 |
| 5 | 00-428900-000G3 | Light - Indicator..... | 1 |
| 6 | 00-417876-00001 | Resistor (300 K., 1/4 W.)..... | 1 |
| 7 | 00-418060-00002 | Dial - Thermostat..... | 1 |
| 8 | 00-927507 | Door - Access..... | 1 |
| 9 | 00-411506-00014 | Thermostat (175-550 Deg. F)..... | 1 |
| **10 | 00-961552 | Washer - Shoulder..... | 2 |
| **11 | 00-961551 | Bracket - Oven Panel..... | 2 |
| 12 | 00-927533-000G1 | Harness - Main (LH)..... | 1 |
| 13 | 00-927541-000G1 | Harness - Power..... | 1 |

* Before June 2017
 ** Starting June 2017



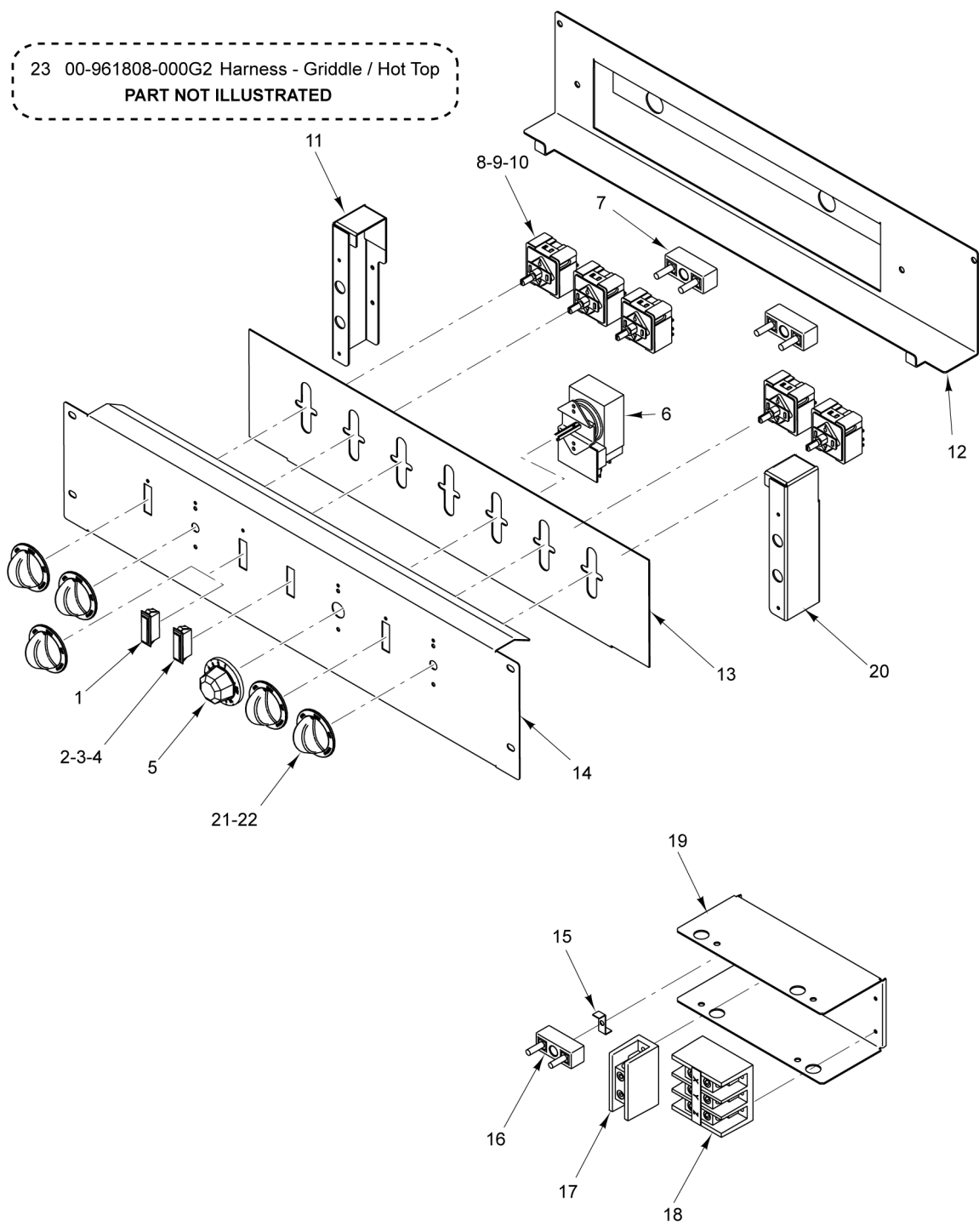
PL-59738

**CONTROLS AND ELECTRICAL COMPONENTS
(12 INCH)**

CONTROLS AND ELECTRICAL COMPONENTS (12 INCH)

| ILLUS. PL-59738 | PART NO. | NAME OF PART | AMT. |
|--------------------|-----------------|---|------|
| *1 | 00-927603-00001 | Knob - Infinite Switch (208 V. & 240 V. Units Only)..... | AR |
| *2 | 00-412251-00003 | Knob (4 Position Switch) 480 V. (480 V. Units Only)..... | AR |
| 3 | 00-428900-000G1 | Indicator - Light (Hot Top & Griddle Units Only)..... | 1 |
| 4 | 00-921883 | Bracket - Manifold Cover (LH)..... | 1 |
| 5 | 00-497496 | Stiffener (12 In.)..... | 1 |
| 6 | 00-417934-000G1 | Block Assy. - Porcelain..... | 1 |
| *7 | 00-411503-00004 | Switch - Infinite Switch (208 V. & 240 V. Units Only)..... | AR |
| *8 | 00-355798-00001 | Switch (4-Position) (480 V. Units Only)..... | AR |
| 9 | NS-047-80 | Lock Nut 3/8-24 Hex..... | 1 |
| 10 | 00-921887-00012 | Bracket - Mount..... | 1 |
| 11 | 00-499075 | Box - Main Power..... | 1 |
| 12 | 00-921882 | Bracket - Manifold Cover (RH)..... | 1 |
| 13 | 00-921888-00012 | Panel - Control..... | 1 |
| 14 | 00-410472-00008 | Block - Terminal (3-Pole)..... | 1 |
| 15 | 00-417856-00001 | Lug - Grounding (With Set Screw)..... | 1 |
| 16 | 00-499076 | Lid - Power Supply..... | 1 |
| 17 | FE-017-16 | NLA - Obsolete--Bushing - Electrical Snap..... | 1 |
| 18 | FE-017-16 | NLA - Obsolete--Bushing - Electrical Snap..... | 1 |
| *19 | 00-418060-00002 | Dial - Thermostat..... | AR |
| *20 | 00-411506-00014 | Thermostat (175-550 Deg. F)..... | AR |
| 21 | 00-961808-000G2 | Harness - Griddle / Hot Top (Switch / Thermostat to Element)..... | AR |

* Unit Can Have Items 1 & 7, 2 & 8, or 18 & 19



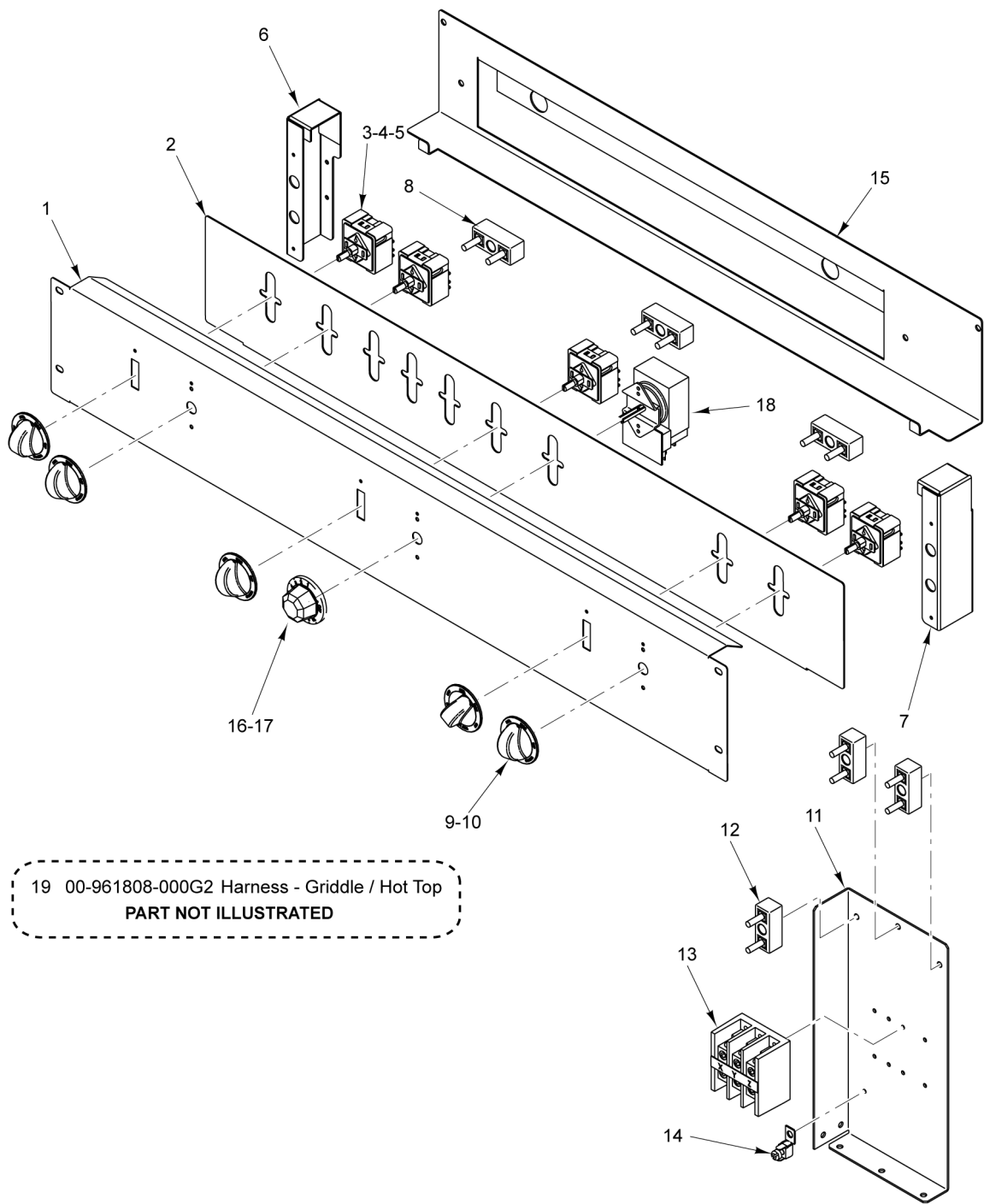
PL-59736

**CONTROLS AND ELECTRICAL COMPONENTS
(24 INCH)**

CONTROLS AND ELECTRICAL COMPONENTS (24 INCH)

| ILLUS. PL-59736 | PART NO. | NAME OF PART | AMT. |
|--------------------|-----------------|---|------|
| 1 | 00-499974-00001 | Plug - Light..... | 1 |
| 2 | 00-428900-000G1 | Indicator - Light..... | AR |
| 3 | 00-428900-000G3 | Light - Indicator..... | AR |
| 4 | 00-417876-00001 | Resistor (300 K., 1/4 W.) (480 V. Units Only) (Not Shown)..... | 1 |
| *5 | 00-418060-00002 | Dial - Thermostat..... | AR |
| *6 | 00-411506-00014 | Thermostat (175-550 Deg. F) (Oven, Griddle & Hot Top)..... | AR |
| 7 | 00-417934-000G1 | Block Assy. - Porcelain..... | AR |
| *8 | 00-411503-00004 | Switch - Infinite Switch (208 V. & 240 V. Units Only)..... | AR |
| *9 | 00-355798-00001 | Switch (4-Position) (480 V. Units Only)..... | AR |
| 10 | NS-047-80 | Lock Nut 3/8-24 Hex..... | AR |
| 11 | 00-921883 | Bracket - Manifold Cover (LH)..... | 1 |
| 12 | 00-921887-00024 | Bracket - Terminal..... | 1 |
| 13 | 00-927408 | Panel - Stiffener (24 In.)..... | 1 |
| 14 | 00-921888-00024 | Cover..... | 1 |
| 15 | 00-497218-00001 | Clip - Porcelain Block..... | 1 |
| 16 | 00-417934-000G1 | Block Assy. - Porcelain..... | 1 |
| 17 | 00-410472-00009 | Block - Terminal (1-Pole)..... | 1 |
| 18 | 00-410472-00008 | Block - Terminal (3-Pole)..... | 1 |
| 19 | 00-927514 | Holder - Terminal Blocks..... | 1 |
| 20 | 00-921882 | Bracket - Manifold Cover (RH)..... | 1 |
| *21 | 00-927603-00001 | Knob - Infinite Switch (208 V. & 240 V. Units Only)..... | AR |
| *22 | 00-412251-00003 | Knob (4 Position Switch) 480 V. (480 V. Units Only)..... | AR |
| 23 | 00-961808-000G2 | Harness - Griddle / Hot Top (Switch / Thermostat to Element)..... | AR |

* Unit Can Have Items 5 & 6, 8 & 20, and / or 9 & 21

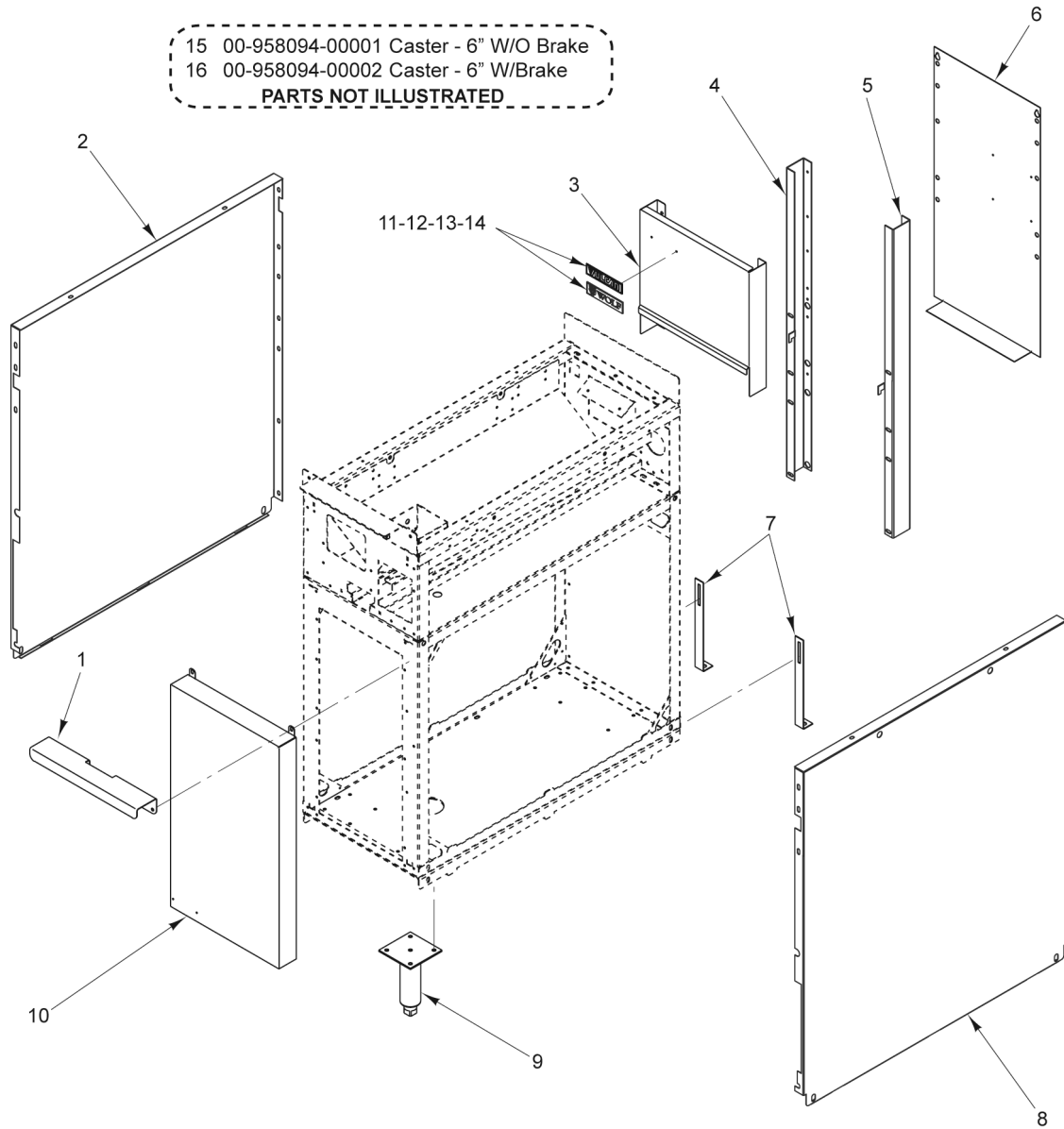


**CONTROLS AND ELECTRICAL COMPONENTS
(36 INCH)**

CONTROLS AND ELECTRICAL COMPONENTS (36 INCH)

| ILLUS. PL-59737 | PART NO. | NAME OF PART | AMT. |
|--------------------|-----------------|---|------|
| 1 | 00-921888-00036 | Cover..... | 1 |
| 2 | 00-927503 | Panel - Stiffener (36 In.)..... | 1 |
| *3 | 00-411503-00004 | Switch - Infinite Switch (208 V. & 240 V. Units Only)..... | AR |
| *4 | 00-355798-00001 | Switch (4-Position) (480 V. Units Only)..... | AR |
| 5 | NS-047-80 | Lock Nut 3/8-24 Hex..... | AR |
| 6 | 00-921883 | Bracket - Manifold Cover (LH)..... | 1 |
| 7 | 00-921882 | Bracket - Manifold Cover (RH)..... | 1 |
| 8 | 00-417934-000G1 | Block Assy. - Porcelain..... | AR |
| *9 | 00-927603-00001 | Knob - Infinite Switch (208 V. & 240 V. Units Only)..... | AR |
| *10 | 00-412251-00003 | Knob (4 Position Switch) 480 V. (480 V. Units Only)..... | AR |
| 11 | 00-927509 | Bracket - Terminal Block Mount..... | 1 |
| 12 | 00-417934-000G1 | Block Assy. - Porcelain..... | 3 |
| 13 | 00-410472-00008 | Block - Terminal (3-Pole)..... | 1 |
| 14 | 00-417856-00001 | Lug - Grounding (With Set Screw)..... | 1 |
| 15 | 00-921887-00036 | Bracket - Terminal..... | 1 |
| *16 | 00-418060-00002 | Dial - Thermostat..... | AR |
| 17 | 00-418061-00004 | Dial - Thermostat..... | AR |
| *18 | 00-411506-00014 | Thermostat (175-550 Deg. F)..... | AR |
| 19 | 00-961808-000G2 | Harness - Griddle / Hot Top (Switch / Thermostat to Element)..... | AR |

* Unit Can Have Items 3 & 8, 4 & 9, and / or 15 & 16

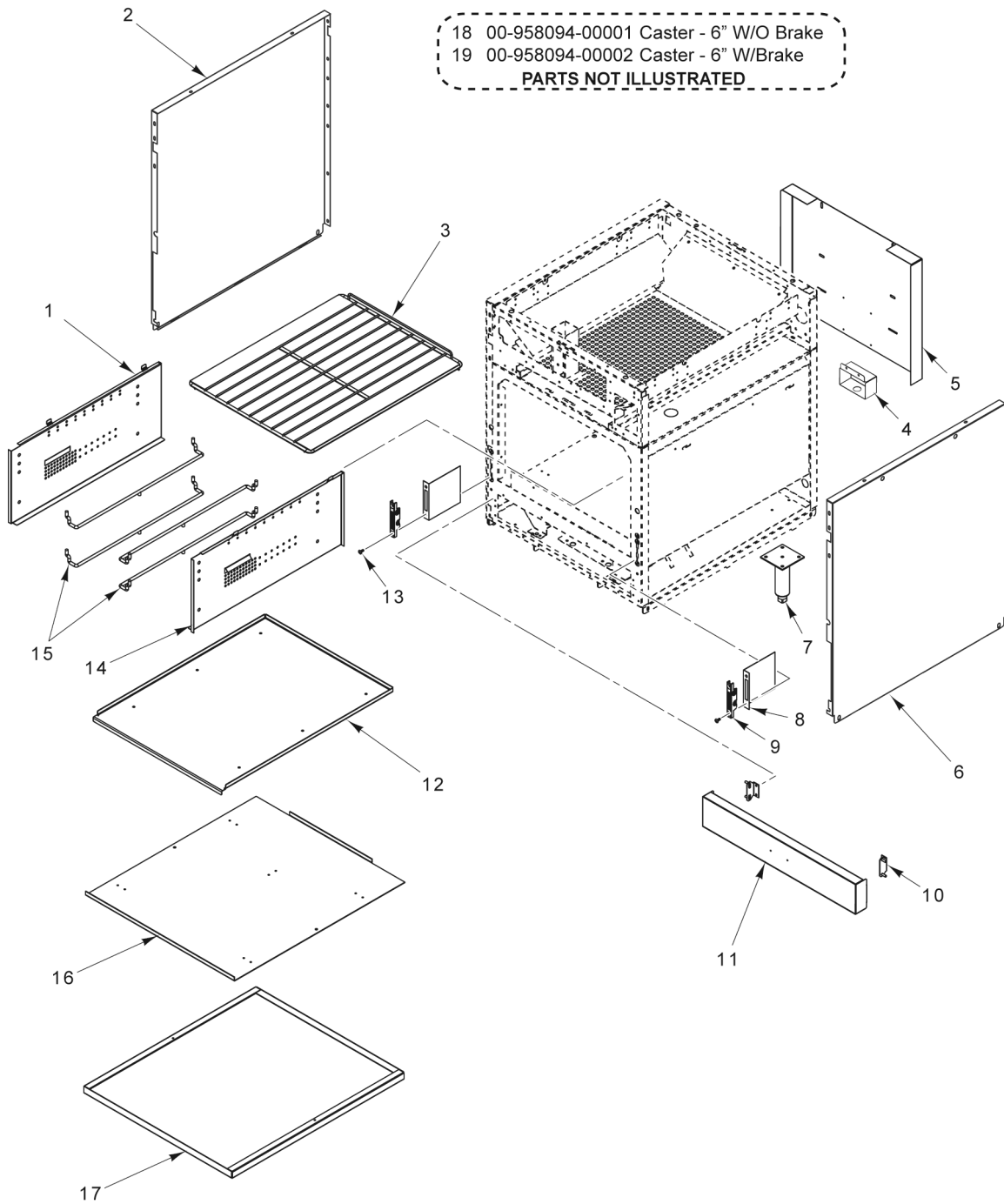


PL-59739

**BODY
(12 INCH)**

**BODY
(12 INCH)**

| ILLUS. | PART NO. | NAME OF PART | AMT. |
|----------|-----------------|--|------|
| PL-59739 | | | |
| 1 | 00-927462 | Handle - Crumb Tray..... | 1 |
| 2 | 00-921807 | Panel - Side..... | 1 |
| 3 | 00-921317 | Backsplash (12 In.)..... | 1 |
| 4 | 00-922140 | Channel (LH)..... | 1 |
| 5 | 00-922141 | Channel (RH)..... | 1 |
| 6 | 00-921713 | Panel - Back (12 In.)..... | 1 |
| 7 | 00-927459 | Bracket - Anchor..... | 2 |
| 8 | 00-921807 | Panel - Side..... | 1 |
| 9 | 00-413112-00012 | Leg - Plate Mount (6 In.) (SST)..... | 4 |
| 10 | 00-927464 | Cover - Front..... | 1 |
| 11 | 00-957916-00003 | Nameplate - Small (Vulcan)..... | 1 |
| 12 | 00-723204 | Nameplate - Small (Wolf)..... | 1 |
| 13 | NS-047-78 | Pal Nut (Used with Wolf Nameplate)..... | 2 |
| 14 | NS-047-79 | Pal Nut 3/16 (Used with Vulcan Nameplate)..... | 2 |
| 15 | 00-958094-00001 | Caster W/O Brake (6 In.)..... | AR |
| 16 | 00-958094-00002 | Caster W/ Brake (6 In.)..... | AR |

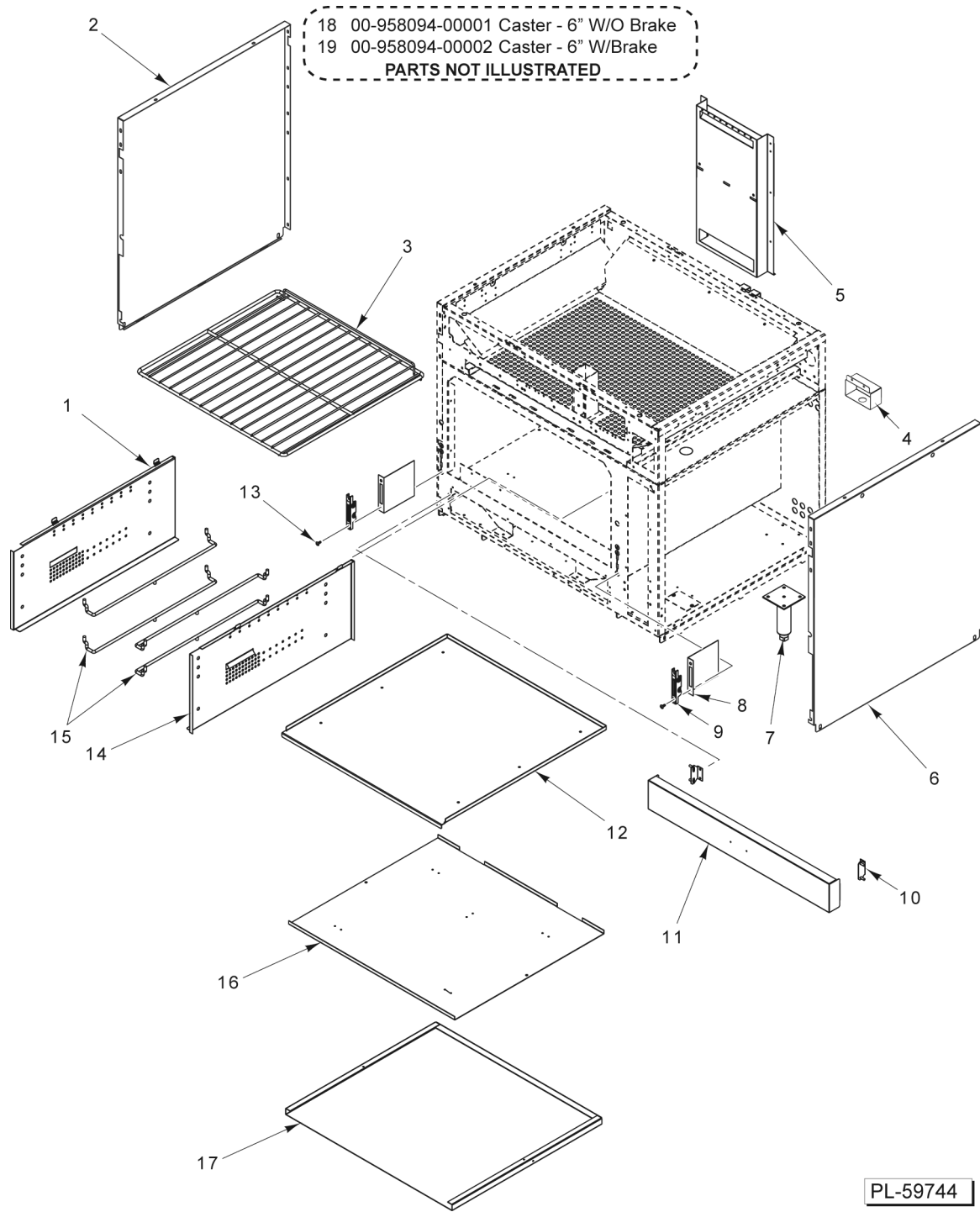


PL-59743

**BODY
(24 INCH)**

**BODY
(24 INCH)**

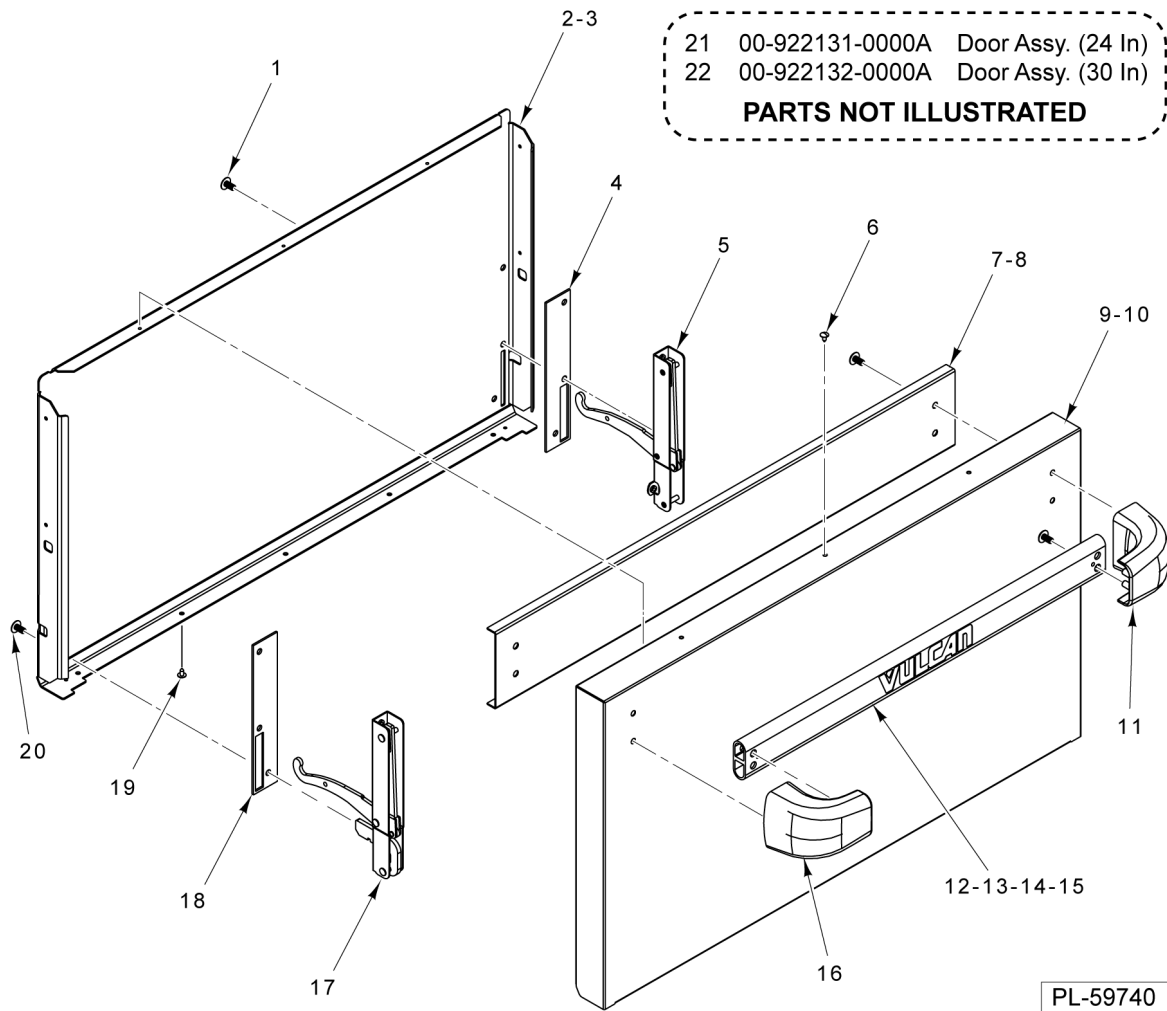
| ILLUS. PL-59743 | PART NO. | NAME OF PART | AMT. |
|--------------------|-----------------|--|------|
| 1 | 00-921326 | Side Liner - Left..... | 1 |
| 2 | 00-921807 | Panel - Side..... | 1 |
| 3 | 00-923508-0000A | Oven Rack (24 In.)..... | 2 |
| 4 | 00-921611 | Cover - Element..... | 2 |
| 5 | 00-921786 | Flue - Rear..... | 1 |
| 6 | 00-921807 | Panel - Side..... | 1 |
| 7 | 00-413112-00012 | Leg - Plate Mount (6 In.) (SST)..... | 4 |
| 8 | 00-921095 | Insulation - Door Hinge..... | 2 |
| 9 | 00-497029-00001 | Door Hinge Stop..... | 2 |
| 10 | 00-428179-000G1 | Bracket - Kick Panel Mounting..... | 2 |
| 11 | 00-921785 | Kick Panel Assy..... | 1 |
| 12 | 00-923515 | Cavity Bottom (24 In. Oven)..... | 1 |
| 13 | 00-723369 | Mach. Screw 1/4-20 x 1/2 Phil. Truss Hd..... | 4 |
| 14 | 00-921325 | Side Liner - Right..... | 1 |
| 15 | 00-921064 | Guide - Rack..... | 4 |
| 16 | 00-927402 | Plate - Element Mounting (24 In.)..... | 1 |
| 17 | 00-927403 | Pan - Element (24 In.)..... | 1 |
| 18 | 00-958094-00001 | Caster W/O Brake (6 In.)..... | AR |
| 19 | 00-958094-00002 | Caster W/ Brake (6 In.)..... | AR |



**BODY
(36 INCH)**

**BODY
(36 INCH)**

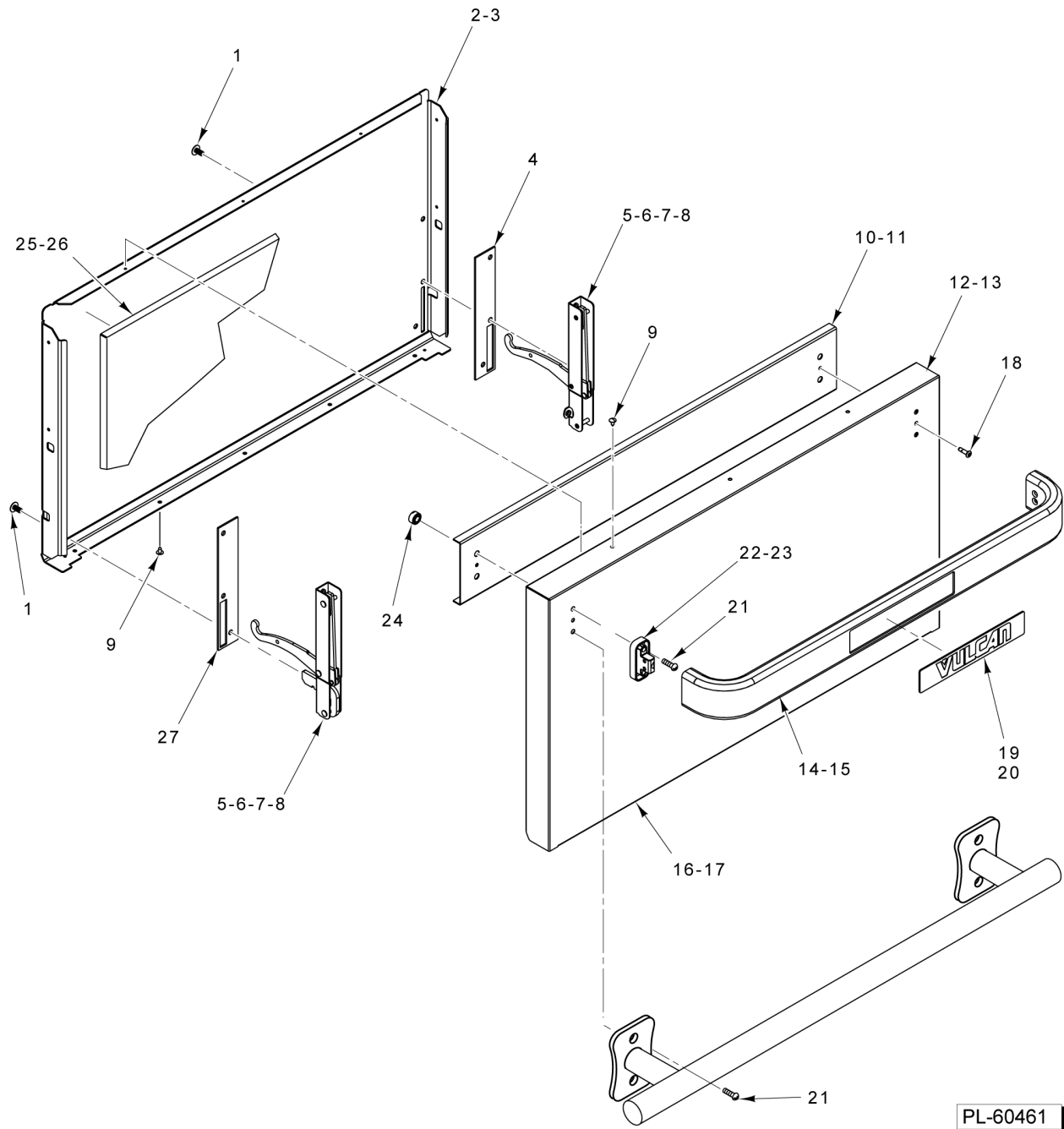
| ILLUS. PL-59744 | PART NO. | NAME OF PART | AMT. |
|--------------------|-----------------|--|------|
| 1 | 00-921326 | Side Liner - Left..... | 1 |
| 2 | 00-921807 | Panel - Side..... | 1 |
| 3 | 00-921010-0000A | Oven Rack (30 In.)..... | 2 |
| 4 | 00-921611 | Cover - Element..... | 2 |
| 5 | 00-921799 | Channel - Back Flue..... | 1 |
| 6 | 00-921807 | Panel - Side..... | 1 |
| 7 | 00-413112-00012 | Leg - Plate Mount (6 In.) (SST)..... | 4 |
| 8 | 00-921095 | Insulation - Door Hinge..... | 2 |
| 9 | 00-497029-00001 | Door Hinge Stop..... | 2 |
| 10 | 00-428179-000G1 | Bracket - Kick Panel Mounting..... | 2 |
| 11 | 00-921721 | Kick Panel Assy..... | 1 |
| 12 | 00-921015 | Cavity Bottom (30 In.)..... | 1 |
| 13 | 00-723369 | Mach. Screw 1/4-20 x 1/2 Phil. Truss Hd..... | 4 |
| 14 | 00-921325 | Side Liner - Right..... | 1 |
| 15 | 00-921064 | Guide - Rack..... | 4 |
| 16 | 00-927511-00001 | Plate - Element Mounting (30 In.)..... | 1 |
| 17 | 00-927510-00001 | Pan - Element (30 In.)..... | AR |
| 18 | 00-958094-00001 | Caster W/O Brake (6 In.)..... | AR |
| 19 | 00-958094-00002 | Caster W/ Brake (6 In.)..... | AR |



**DOOR ASSEMBLY
(BEFORE 10/31/2014)**

**DOOR ASSEMBLY
(BEFORE 10/31/2014)**

| ILLUS. PL-59740 | PART NO. | NAME OF PART | AMT. |
|--------------------|-----------------|--|------|
| 1 | 00-723369 | Mach. Screw 1/4-20 x 1/2 Phil. Truss Hd..... | 3 |
| 2 | 00-922030 | Liner - Door (24 In.)..... | 1 |
| 3 | 00-921022 | Liner - Door (30 In.)..... | 1 |
| 4 | 00-921033 | Insulator - Door Hinge..... | 1 |
| 5 | 00-497027-00001 | Hinge - Door Spring (RH)..... | 1 |
| 6 | 00-730240 | Mach. Screw #8 x 1/2..... | 3 |
| 7 | 00-922134 | Reinforcement - Door (24 In.)..... | 1 |
| 8 | 00-922133 | Reinforcement - Door (30 In.)..... | 1 |
| 9 | 00-921781 | Panel - Door (24 In.)..... | 1 |
| 10 | 00-921749 | Panel - Door (30 In.)..... | 1 |
| 11 | 00-922118 | Bracket - Handle..... | 1 |
| 12 | 00-913159-00002 | Kit - Door Handle (24 In.) (Vulcan)..... | 1 |
| 13 | 00-913159-00001 | Kit - Door Handle (24 In.) (Wolf)..... | 1 |
| 14 | 00-913159-00004 | Kit - Door Handle (30 In.) (Vulcan)..... | 1 |
| 15 | 00-913159-00003 | Kit - Door Handle (30 In.) (Wolf)..... | 1 |
| 16 | 00-922118 | Bracket - Handle..... | 1 |
| 17 | 00-497027-00002 | Hinge - Door Spring (LH)..... | 1 |
| 18 | 00-921033 | Insulator - Door Hinge..... | 1 |
| 19 | 00-730240 | Mach. Screw #8 x 1/2..... | 3 |
| 20 | 00-723369 | Mach. Screw 1/4-20 x 1/2 Phil. Truss Hd..... | 3 |
| 21 | 00-922131-0000A | Door Assy. (24 In.) (Incls. Items 1, 2, 4, 5, 6, 7, 9, 11, 12, & 16 thru 20)..... | 1 |
| 22 | 00-922132-0000A | Door Assy. (30 In.) (Incls. Items 1, 3, 4, 5, 6, 8, 10, 11, 14, & 16 thru 20)..... | AR |



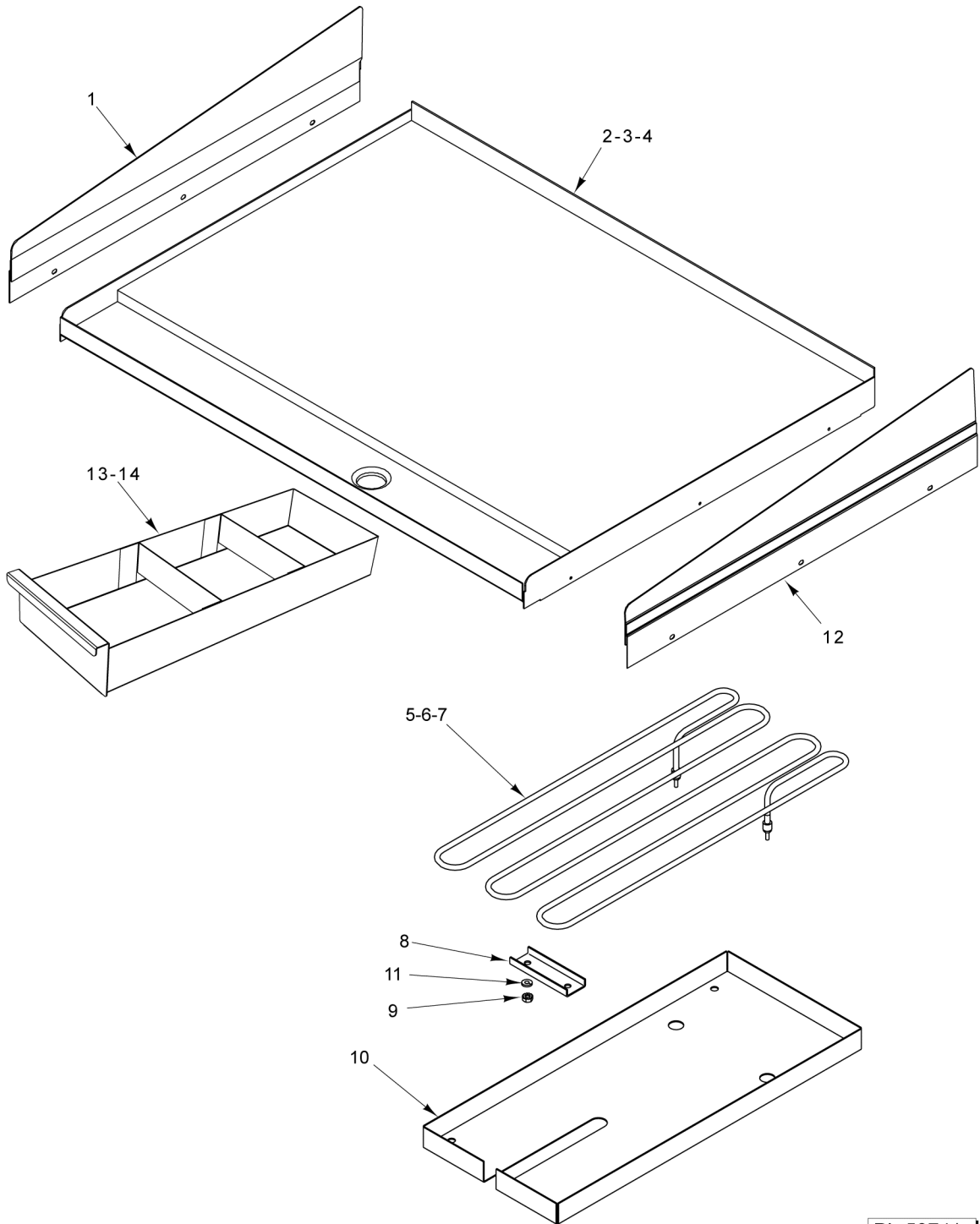
**DOOR ASSEMBLY
(AFTER 10/31/2014)**

**DOOR ASSEMBLY
(AFTER 10/31/2014)**

| ILLUS. PL-60461 | PART NO. | NAME OF PART | AMT. |
|--------------------|-----------------|--|------|
| 1 | 00-723369 | Mach. Screw 1/4-20 x 1/2 Phil. Truss Hd..... | AR |
| 2 | 00-922030 | Liner - Door (24 In.)..... | 1 |
| 3 | 00-921022 | Liner - Door (30 In.)..... | 1 |
| 4 | 00-921033 | Insulator - Door Hinge..... | 1 |
| 5 | 00-497027-00001 | Hinge - Door Spring (RH)..... | 1 |
| 6 | 00-730240 | Mach. Screw #8 x 1/2..... | 3 |
| 7 | 00-922702-00024 | Reinforcment - Door (24 In.)..... | 1 |
| 8 | 00-922702-00030 | Reinforcement - Door (30 In.)..... | 1 |
| 9 | 00-922701-00024 | Panel - Door (24 In.)..... | 1 |
| 10 | 00-922701-00030 | Panel - Door (30 In.)..... | 1 |
| 11 | 00-497027-00002 | Hinge - Door Spring (LH)..... | 1 |
| *12 | 00-922710-00024 | Handle - Door (24 In.)..... | 1 |
| *13 | 00-922710-00030 | Handle - Door (30 In.)..... | 1 |
| 14 | 00-922700-00A24 | Door Assy. (24 In.)..... | 1 |
| 15 | 00-922700-00A30 | Door Assy. (30 In.)..... | 1 |
| 16 | RS-033-05 | Screw..... | 2 |
| *17 | 00-922712-00001 | Logo (Vulcan)..... | 1 |
| *18 | 00-922712-00002 | Logo (Wolf)..... | 1 |
| 19 | 00-723369 | Mach. Screw 1/4-20 x 1/2 Phil. Truss Hd..... | AR |
| *20 | 00-922711 | Cap - Door Handle..... | 2 |
| 21 | | Nut..... | 4 |
| 22 | 00-923529 | Insulation - Door (24 In.)..... | 1 |
| 23 | 00-921102 | Insulation - Door (36 In.)..... | 1 |
| 24 | 00-921033 | Insulator - Door Hinge..... | 1 |
| **25 | 00-961400-00024 | Handle - Oven (24")..... | 1 |
| **26 | 00-961400-00036 | Handle - Oven (36")..... | 1 |

* Before June 2017

** June 2017 and After



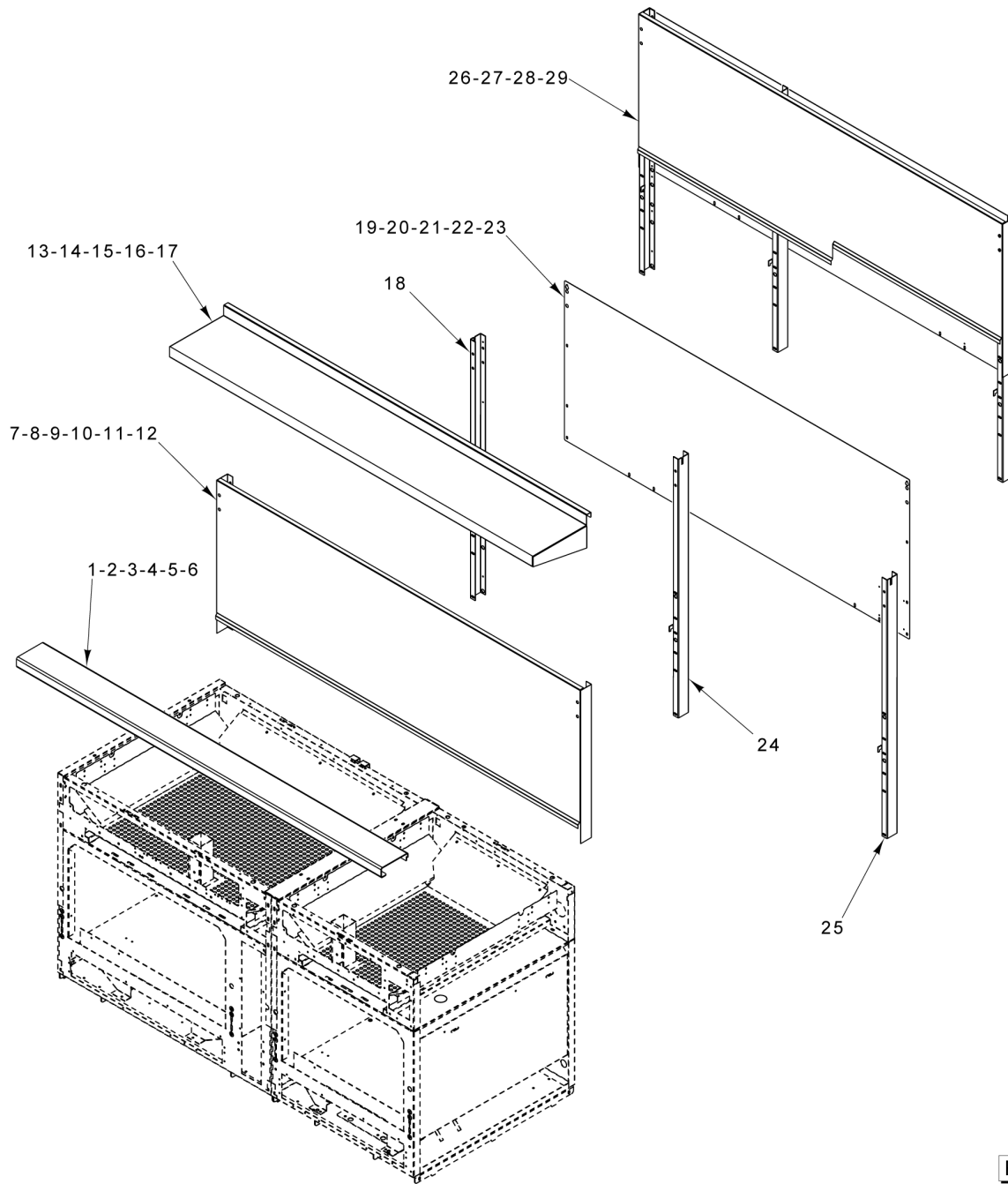
PL-59741

RANGE GRIDDLE

RANGE GRIDDLE

| ILLUS. | PART NO. | NAME OF PART | AMT. |
|----------|-----------------|--|------|
| PL-59741 | | | |
| 1 | 00-926527-0000A | Splash Assy. - Outer (LH)..... | 1 |
| 2 | | Griddle Plate Assy. (12 In.)..... | 1 |
| 3 | 00-924511-0000A | Griddle Plate Assy. (24 In.)..... | 1 |
| 4 | 00-926500-0000A | Griddle Plate Assy. (36 In.)..... | 1 |
| 5 | 00-922550-0208A | Element - Griddle (208V)..... | 1 |
| 6 | 00-922550-0240A | Element - Griddle (240V)..... | 1 |
| 7 | 00-922550-0480A | Element - Griddle (480V)..... | 10 |
| 8 | 00-927415 | Brace - Griddle Element..... | 1 |
| 9 | NS-046-52 | Nut Assy. 1/4-20 Hex..... | 1 |
| *10 | | Cover - Griddle Element - Included in Kit (item 5, 6 and 7)..... | AR |
| 11 | | Lockwasher..... | AR |
| 12 | 00-926513-0000A | Splash Assy. - Outer (RH)..... | 1 |
| 13 | 00-922354-OSLIM | Grease Can 12 In..... | 1 |
| 14 | 00-922354 | Grease Can 24 In. & 36 In..... | 1 |

* Only available in kit. See item #5, 6, and 7 for kits.

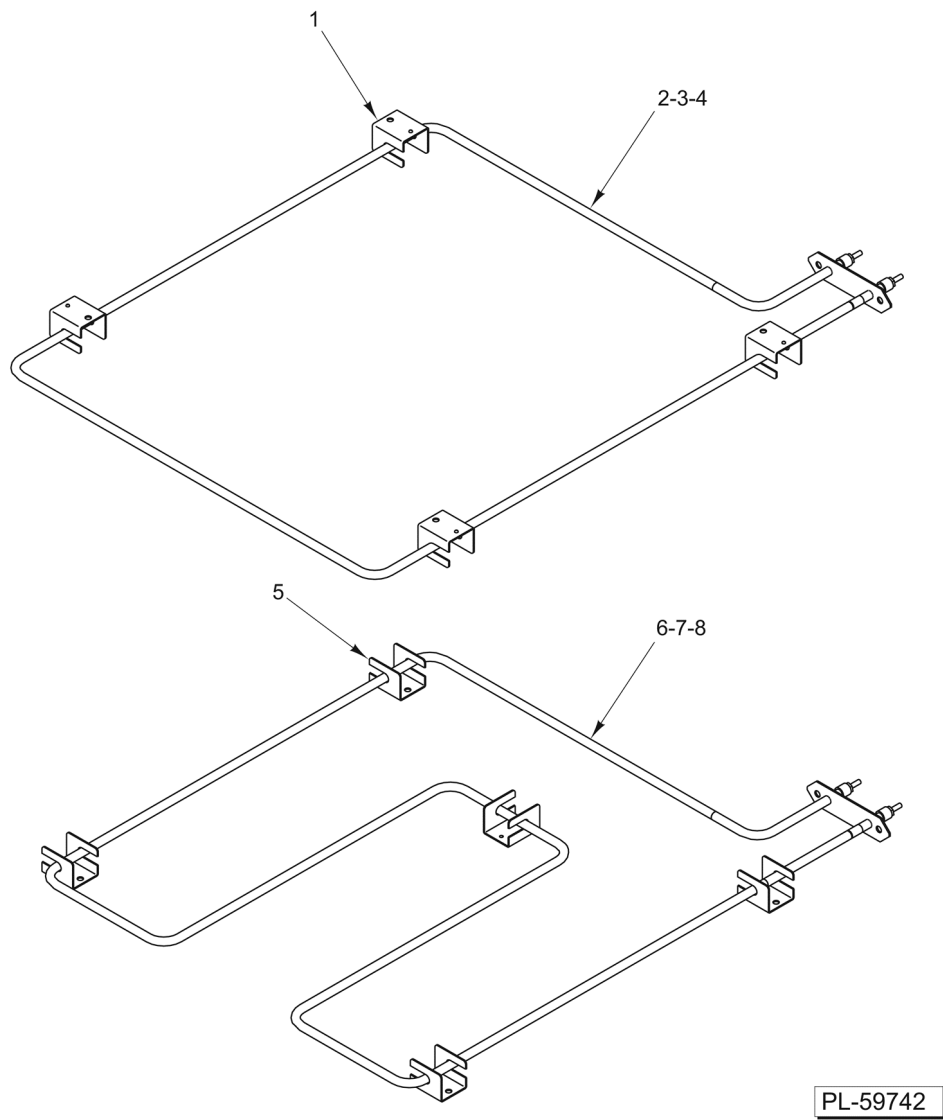


PL-59745

**BACKSPLASH, SHELF, AND BULL NOSE
(ALL SIZES)**

BACKSPLASH, SHELF, AND BULL NOSE (ALL SIZES)

| ILLUS. PL-59745 | PART NO. | NAME OF PART | AMT. |
|--------------------|-----------------|--|------|
| 1 | 00-921884-00012 | Bull Nose (12 In.)..... | 1 |
| 2 | 00-921884-00024 | Bull Nose (24 In.)..... | 1 |
| 3 | 00-921884-00036 | Bull Nose (36 In.)..... | 1 |
| 4 | 00-921884-00048 | Bull Nose (48 In.)..... | 1 |
| 5 | 00-921884-00060 | Bull Nose (60 In.)..... | 1 |
| 6 | 00-921884-00072 | Bull Nose (72 In.)..... | 1 |
| 7 | 00-921317 | Backsplash (12 In.)..... | 1 |
| 8 | 00-921053-00024 | Backsplash (24 In.)..... | 1 |
| 9 | 00-921053-00036 | Backsplash (36 In.)..... | 1 |
| 10 | 00-921053-00048 | Backsplash (48 In.)..... | 1 |
| 11 | 00-921053-00060 | Backsplash (60 In.)..... | 1 |
| 12 | 00-921053-00072 | Backsplash (72 In.)..... | 1 |
| 13 | 00-921730-00024 | Shelf (24 In.)..... | 1 |
| 14 | 00-921730-00036 | Shelf (36 In.)..... | 1 |
| 15 | 00-921730-00048 | Shelf (48 In.)..... | 1 |
| 16 | 00-921730-00060 | Shelf (60 In.)..... | 1 |
| 17 | 00-921730-00072 | Shelf (72 In.)..... | 1 |
| 18 | 00-921728 | Support - Backsplash (LH)..... | 1 |
| 19 | 00-921713 | Panel - Back (12 In.)..... | 1 |
| 20 | 00-923525 | Panel - Back (24 In.)..... | 1 |
| 21 | 00-921054 | Panel - Back (36 In.) (Use two for 72 In. Units)..... | 1 |
| 22 | 00-923009 | Panel - Back (48 In.)..... | 1 |
| 23 | 00-929007 | Panel - Back (60 In.)..... | 1 |
| 24 | 00-921729 | Support - Backsplash (RH) (Used on 60 & 72 In. Units)..... | 1 |
| 25 | 00-921729 | Support - Backsplash (RH)..... | 1 |
| 26 | 00-961714-0036G | Backsplash Assy. (36 In.) (Used with Griddle)..... | 1 |
| 27 | 00-961714-36G24 | Backsplash Assy. (36 In.) (Used with RH Griddle)..... | 1 |
| 28 | 00-961714-60G24 | Backsplash Assy. (60 In.) (Used with RH Griddle)..... | 1 |
| 29 | 00-961714-72G36 | Backsplash Assy. (72 In.) (Used with RH Griddle)..... | 1 |



OVEN ELEMENT

OVEN ELEMENT

| ILLUS. | PART NO. | NAME OF PART | AMT. |
|----------|-----------------|------------------------------------|------|
| PL-59742 | | | |
| 1 | 00-412925-00001 | Clamp - Element..... | AR |
| 2 | 00-927538-0004S | Oven Element - Upper (208 V.)..... | AR |
| 3 | 00-927538-0005S | Oven Element - Upper (240 V.)..... | AR |
| 4 | 00-927538-0006S | Oven Element - Upper (480 V.)..... | AR |
| 5 | 00-412925-00001 | Clamp - Element..... | AR |
| 6 | 00-927538-0001S | Oven Element - Lower (208 V.)..... | AR |
| 7 | 00-927538-0002S | Oven Element - Lower (240 V.)..... | AR |
| 8 | 00-927538-0003S | Oven Element - Lower (480 V.)..... | AR |

