

CATALOG OF REPLACEMENT PARTS

HEAVY DUTY GAS BROILERS

CERAMIC BROILERS

MODELS	MLS
GHCB40C	ML-52212
GHCB40	ML-52211
GHCB44	ML-52213
GHMCB44	ML-52214
HCB1	ML-52202
HCB2T	ML-52203
HCB2B	ML-52208

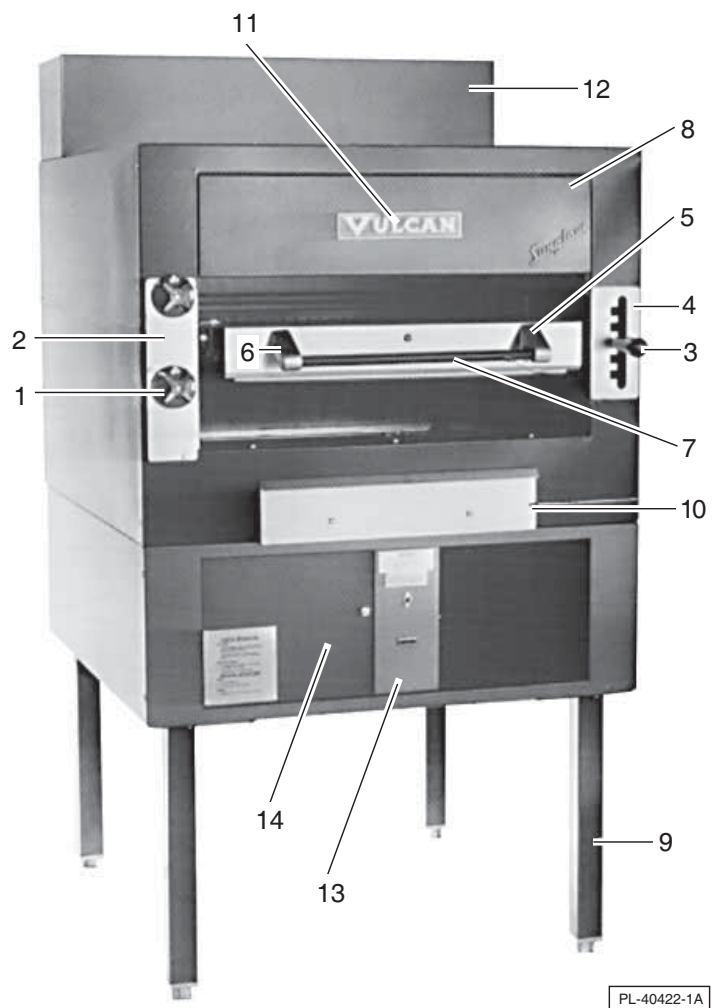
SUNGLOW BROILERS

MODELS	MLS
IR1	ML-52200
IR2T	ML-52207
IR2B	ML-52201
GHIR44	ML-52210



For additional information on Vulcan-Hart or to locate an authorized parts and service provider in your area, visit our website at www.vulcanhart.com

HEAVY DUTY GAS BROILER REPLACEMENT PARTS

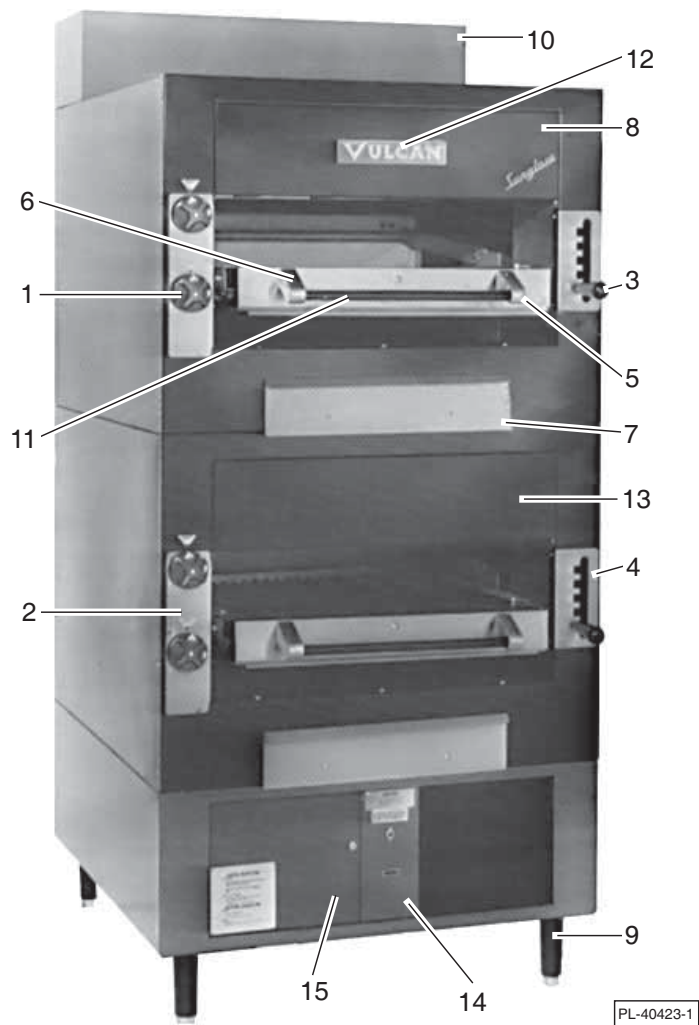


PARTS - FRONT VIEW IR1

PARTS - FRONT VIEW IR1

ILLUS.	PART NO.	DESCRIPTION	QTY.
1	00-407727-00005	Burner Knob (On-Off)	2
2	00-414269-00001	Burner Knob Cover Plate	1
3	00-407785-00002	Grid Arm Handle	1
4	00-413609-00001	Grid Arm Cover Index Plate	1
5	00-404549-00005	Right Grid Post	1
6	00-404549-00006	Left Grid Post	1
7	00-404647-00001	Grid Handle	1
8	00-411144-000G2	Burner Shield Cover (Top)	1
9	00-413383-000G2	Legs (SST)	4
10	00-408161-00001	Grease Collector Front	1
11	00-417700-00001	Vulcan Nameplate	1
12	00-410834-000G2	Deflector Assy	1
13	00-409033-000G2	Lock Panel	1
14	00-409030-000G4	Blower Cover Assembly	1
	00-411040-000G1	Drip Tray Assembly	1
	00-407673-000G1	Grease Collector	1
	00-414639-00001	I.D. TAB "R"	1
	00-414639-00002	I.D. TAB "L"	1
	00-412681-00001	Adjustable Foot	4

HEAVY DUTY GAS BROILER REPLACEMENT PARTS

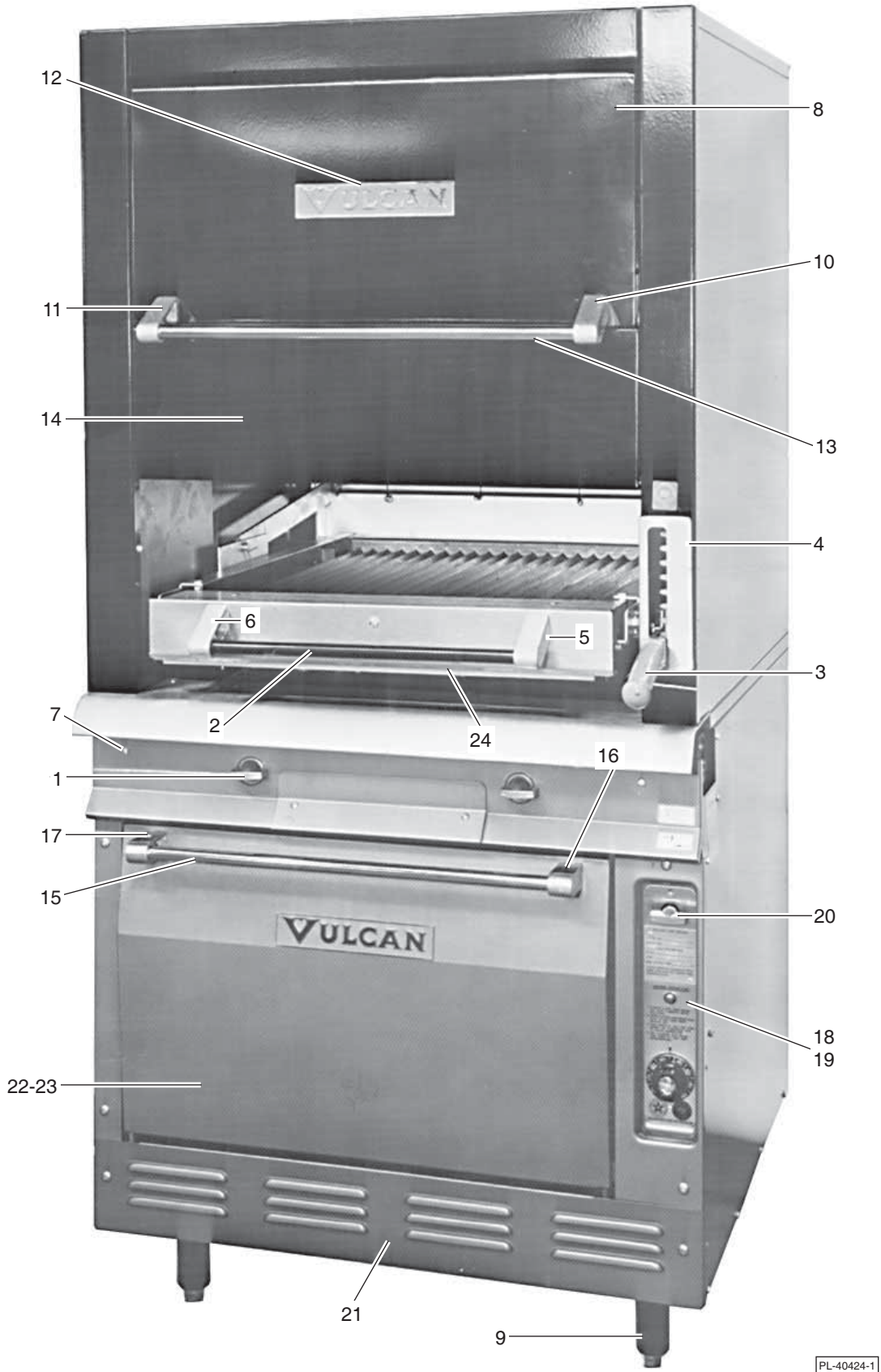


PARTS - FRONT VIEW IR2

PARTS - FRONT VIEW IR2

ILLUS. PL-40423-1	PART NO.	DESCRIPTION	QTY.
1	00-407727-00005	Burner Knob (On-Off)	4
2	00-414269-00001	Burner Knob Cover Plate	2
3	00-407785-00002	Grid Arm Handle	1
4	00-413609-00001	Grid Arm Cover Index Plate	2
5	00-404549-00005	Right Grid Post	1
6	00-404549-00006	Left Grid Post	1
7	00-408161-00001	Grease Collector Front	1
8	00-411144-000G2	Burner Shield Cover (Top)	1
9	00-409840-00006	Legs (SST)	4
10	00-410834-000G2	Deflector Assembly	1
11	00-404647-00001	Grid Handle	1
12	00-417700-00001	Vulcan Nameplate	1
13	00-411144-000G4	Burner Shield Cover (Bottom)	1
14	00-409033-000G2	Lock Panel	1
15	00-409030-000G4	Blower Cover Assembly	1
	00-411040-000G1	Drip Tray Assembly	1
	00-407673-000G1	Grease Collector Assembly	1
	00-414639-00001	I.D. Knob Tab "R" (New style not shown)	2
	00-414639-00002	I.D. Knob Tab "L" (New style not shown)	2

HEAVY DUTY GAS BROILER REPLACEMENT PARTS



PARTS - FRONT VIEW GHCB40

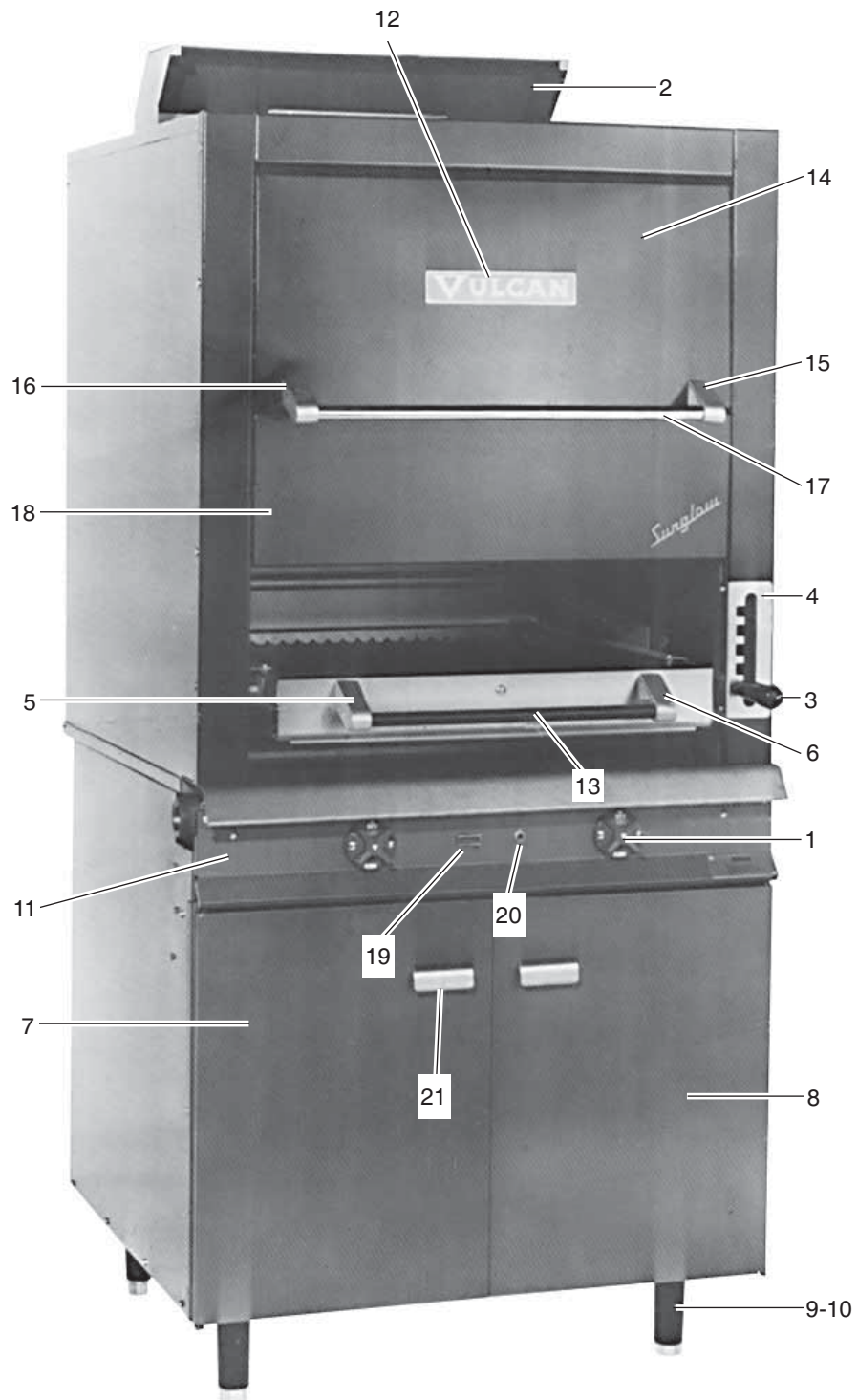
PARTS - FRONT VIEW GHCB40 / GHCB40C

ILLUS. PL-40424-1	DESCRIPTION	PART NO.	QTY.
1	00-420560-00001	Burner Valve Knob	2
2	00-404647-00001	Grid Handle	1
3	00-407785-00002	Grid Arm Handle (Old style shown)	1
4	00-413609-00002	Grid Arm Cover/Index Plate (SS)	1
5	00-404549-00005	Right Grid Post	1
6	00-404549-00006	Left Grid Post	1
7	00-409776-000G2	Manifold Cover Assembly (SS)	1
8	00-405488-000G2	Augratin Oven Door Assembly	1
9	00-409840-00006	(Adj.) Legs (SS)	4
10	00-409790-00003	Right Oven Door Post	1
11	00-409790-00004	Left Oven Door Post	1
12	00-417700-00001	Vulcan Nameplate	2
13	00-401847-00001	Oven Door Handle	1
14	00-405499-00002	Lower Burner Cover (SS)	1
15	00-409793-00001	Oven Handle (Lower)	1
16	00-404549-00001	Right Door Post	1
17	00-404549-00002	Left Door Post	1
18	00-420774-00001	Control Panel-GHCB40 (Used Until Oct. 2004)	1
19	00-420784-00001	Control Panel-GHCB40C (Used Until Oct. 2004)	1
20	00-402957-00002	Valve Handle (Red)	1
21	00-420775-000G1	Lower Front Panel	1
22	00-409791-000G2	Oven Door Assembly (Std Oven)	1
23	00-409791-000G4	Oven Door Assembly (Convection Oven)	1
24	00-409873-00001	Grease Collector Front	1
	00-417862-00009	Hinge Pin for Oven Door (RH or LH on Std Oven) (LH on Convection Oven)	AR
	00-497549-00001	Hinge Pin (RH on Convection Oven Door)	1
	00-404629-00002	Door Bushing	2
	00-497126-00001	Control Panel (GHCB40) (Oct. 2004 to Present)	1
	00-497126-00002	Control Panel (GHCB40C) (Oct. 2004 to Present)	1

(SS) Stainless Steel

Photo shows old style grid handle assembly.

HEAVY DUTY GAS BROILER REPLACEMENT PARTS



PL-40425-1

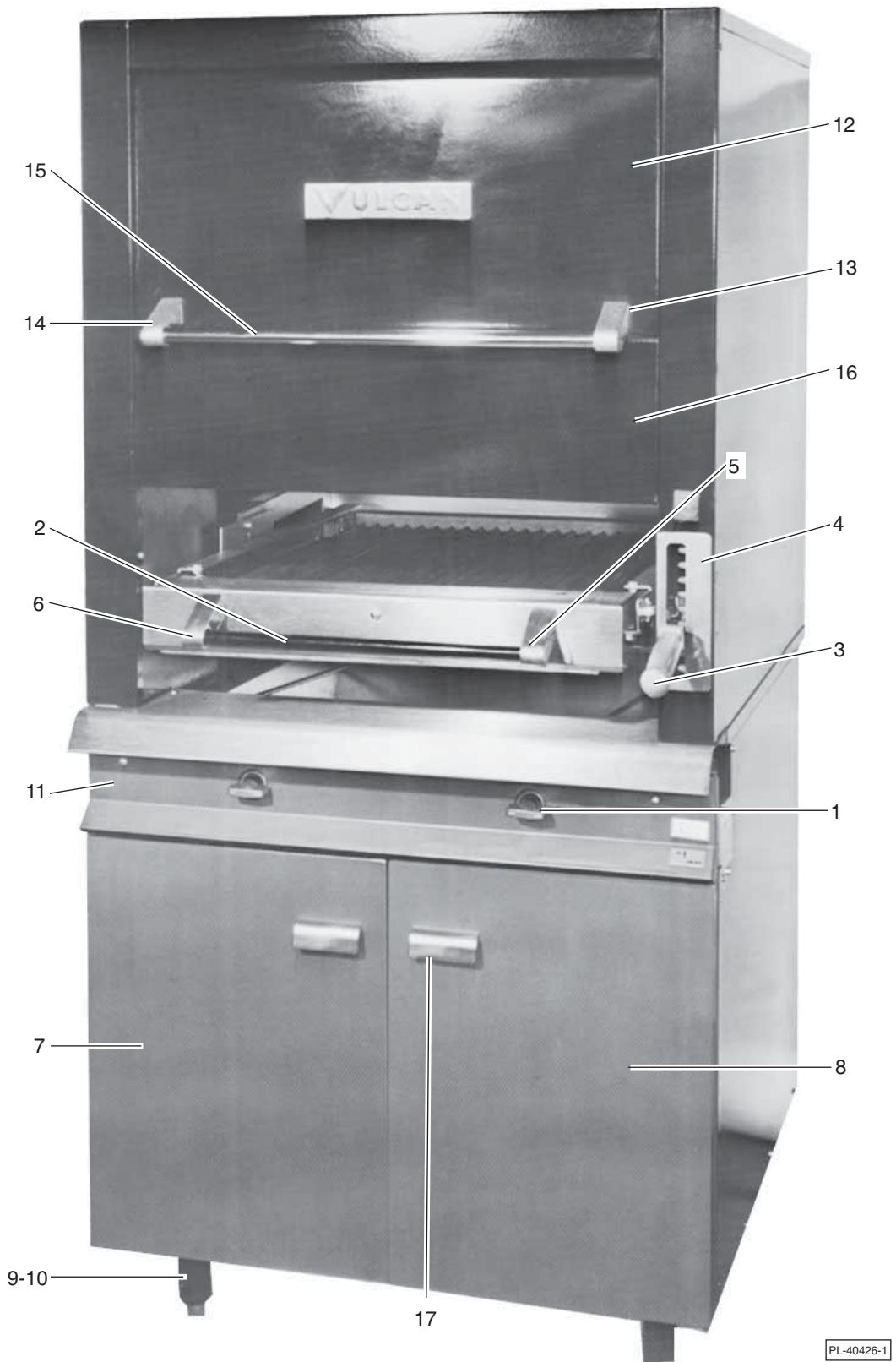
PARTS - FRONT VIEW GHIR44

PARTS - FRONT VIEW GHIR44

ILLUS.	PART NO.	DESCRIPTION	QTY.
PL-40425-1			
1	00-407727-00004	Burner Valve Knob Hi-Med-Lo	2
2	00-414878-000G2	Flue Riser	1
3	00-407785-00002	Grid Arm Handle	1
4	00-413609-00002	Grid Arm Cover/Index Plate (SS)	1
5	00-404549-00005	Right Grid Post	1
6	00-404549-00006	Left Grid Post	1
7	00-412945-000G3	Left Hand Door Panel Assembly (SS)	1
8	00-412945-000G4	Rt. Hd. Door Panel Assembly (SS)	1
9	00-409840-00005	Adjustable Leg (Flanged Foot)	4
10	00-409840-00006	Adjustable Leg (SS) (Bullet Foot)	4
11	00-409653-00006	Manifold Cover Assembly (SS)	1
12	00-417700-00001	Vulcan Nameplate	1
13	00-408246-00001	Grid Handle	1
14	00-405488-000G2	Auigratin Oven Door Assembly	1
15	00-404549-00001	Right Oven Door Post	1
16	00-404549-00002	Left Oven Door Post	1
17	00-401847-00001	Door Handle	1
18	00-405499-00002	Burner Box Cover	1
19	00-411496-000E4	Pilot Light	1
20	00-417812-00001	Toggle Switch	1
21	00-408615-00021	Cabinet Door Handle	2
	00-411040-000G1	Drip Tray Assembly	1
	00-412942-00001	Lt. Door Panel Lining	1
	00-412942-00002	Rt. Door Panel Lining	1
	00-414639-00001	I.D. Tab "R"	1
	00-414639-00002	I.D. TAB "L"	1
	00-405651-00001	Hinge Pin (Auigratin Door)	1
	00-404629-00002	Door Bushing (Auigratin Door)	1
	00-405886-000G2	Door Hinge (LH) (Auigratin Door)	1
	00-405886-000G1	Door Hinge (RH) (Auigratin Door)	1

(SS) Stainless Steel

HEAVY DUTY GAS BROILER REPLACEMENT PARTS



PARTS - FRONT VIEW GHCB44

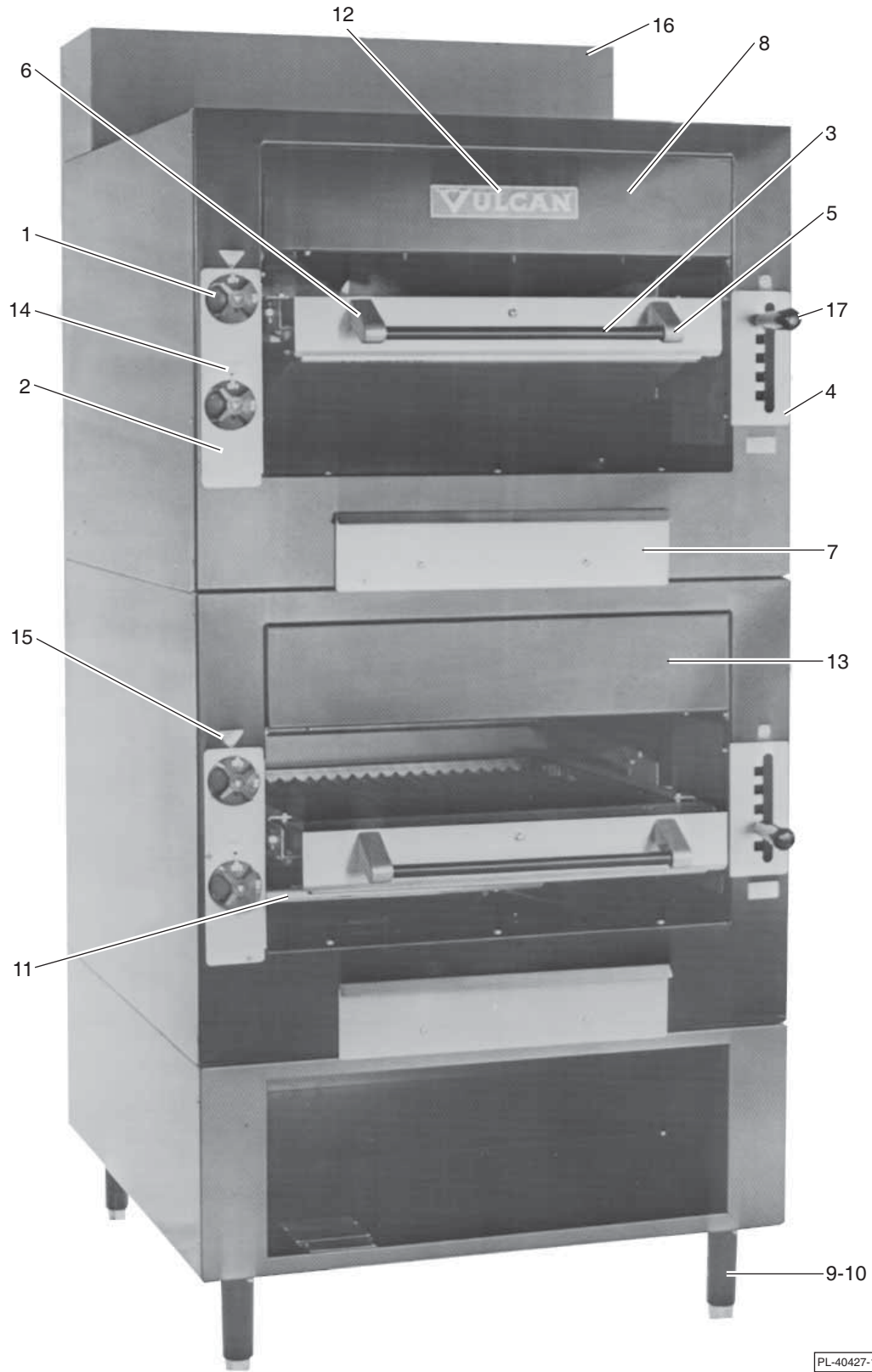
PARTS - FRONT VIEW GHCB44

ILLUS.	PART NO.	DESCRIPTION	QTY.
1	00-402957-00002	Burner Valve Knob	2
2	00-408246-00001	Grid Handle	1
3	00-407785-00002	Grid Arm Handle (Old style shown)	1
4	00-413609-00002	Grid Arm Cover/Index Plate (SS)	1
5	00-404549-00005	Right Grid Post	1
6	00-404549-00006	Left Grid Post	1
7	00-412945-000G1	Door Panel Assembly, Left	1
8	00-412945-000G2	Door Panel Assembly, Right	1
9	00-409840-00005	Adj. Leg (Flanged Foot)	4
10	00-409840-00006	Adj. Leg (SS) (Bullet Foot)	4
11	00-409776-000G2	Manifold Cover Assembly (SS)	1
12	00-405488-000G2	Augratin Oven Door Assembly	1
13	00-404549-00001	Right Oven Door Post	1
14	00-404549-00002	Left Oven Door Post	1
15	00-401847-00001	Oven Door Handle	1
16	00-405499-00002	Lower Burner Cover (SS)	1
17	00-408615-00021	Door Handle	2
	00-412942-00001	Left Door Liner	1
	00-412942-00003	Left Door Liner (SS)	1
	00-412942-00002	Right Door Liner	1
	00-412942-00004	Right Door Liner (SS)	1
	00-405651-00001	Hinge Pin (Augratin Door)	1
	00-404629-00002	Door Bushing (Augratin Door)	1
	00-405886-000G2	Door Hinge (LH) (Augratin Door)	1
	00-405886-000G1	Door Hinge (RH) (Augratin Door)	1

(SS) Stainless Steel

Photo shows old style grid handle assembly.

HEAVY DUTY GAS BROILER REPLACEMENT PARTS



PARTS - FRONT VIEW HCB2

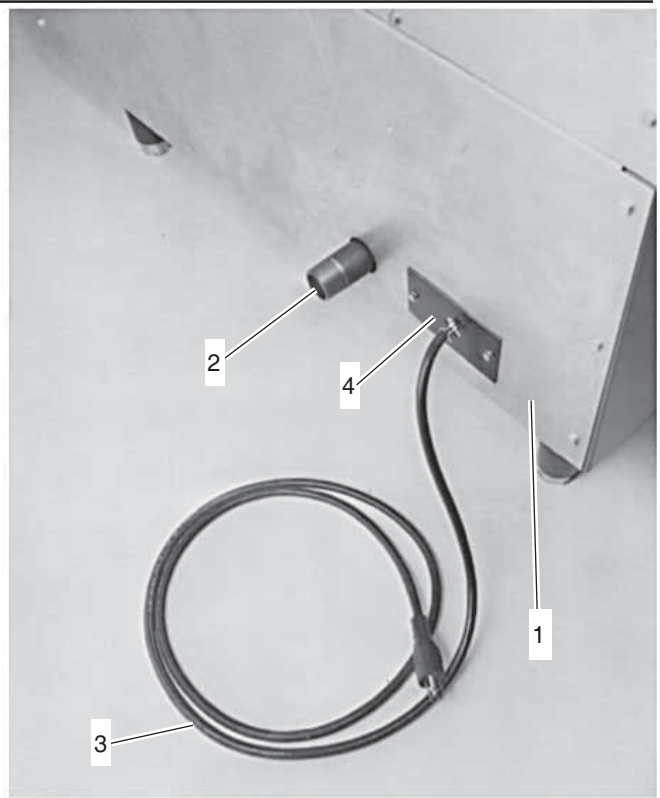
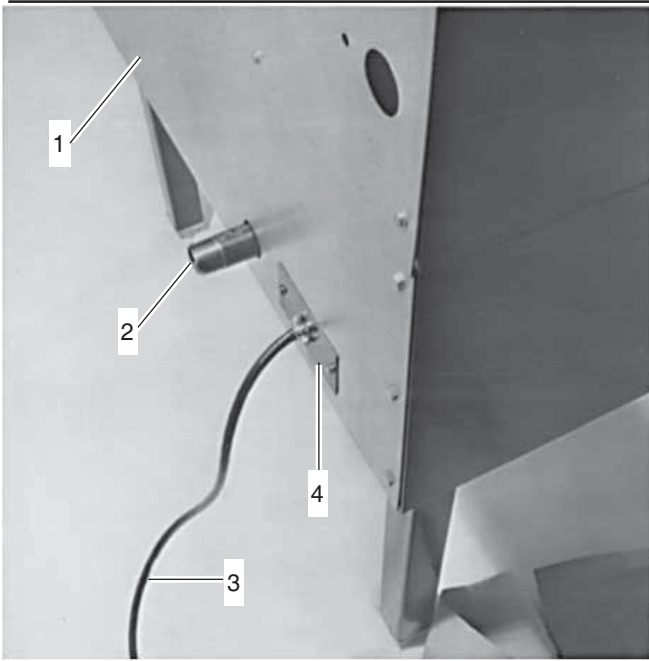
PARTS - FRONT VIEW HCB2

ILLUS.	PART NO.	DESCRIPTION	QTY.	
			HCB1	HCB2
PL-40427-1				
1	00-407727-00005	Burner Knob (On-Off)	2	4
2	00-414269-00001	Burner Knob Cover Plate	1	2
3	00-408246-00001	Grid Handle	1	2
4	00-413609-00001	Grid Arm Cover Index Plate	1	2
5	00-404549-00005	Right Grid Handle Post	1	2
6	00-404549-00006	Left Grid Handle Post	1	2
7	00-408161-00001	Grease Collector Front	1	2
8	00-408132-000G6	Burner Shield Cover (Top)	1	1
9	00-413383-000G1	Adj. Legs	4	
	00-409840-00005	Adj. Legs		4
10	00-413383-000G2	Adj. Legs (SS)	4	
	00-409840-00006	Adj. Legs (SS)		4
11	00-411040-000G1	Drip Tray Assembly	1	1
12	00-417700-00001	Vulcan Nameplate	1	1
13	00-408132-000G4	Burner Shield Cover (Bottom)		1
14	00-414639-00002	I.D. Knob Tab "L" (Old style shown)	1	2
15	00-414639-00001	I.D. Knob Tab "R" (Old style shown)	1	2
16	00-410834-000G2	Deflector Assy.	1	1
17	00-407785-00002	Grid Arm Handle	1	1
	00-407673-000G1	Grease Collector Assembly	1	1

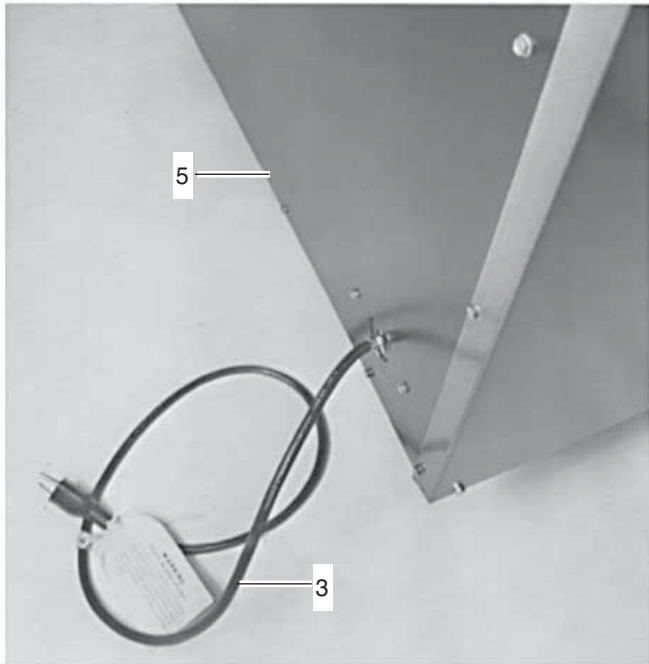
(SS) Stainless Steel

Front View GHCB1 Not Shown.

HEAVY DUTY GAS BROILER REPLACEMENT PARTS



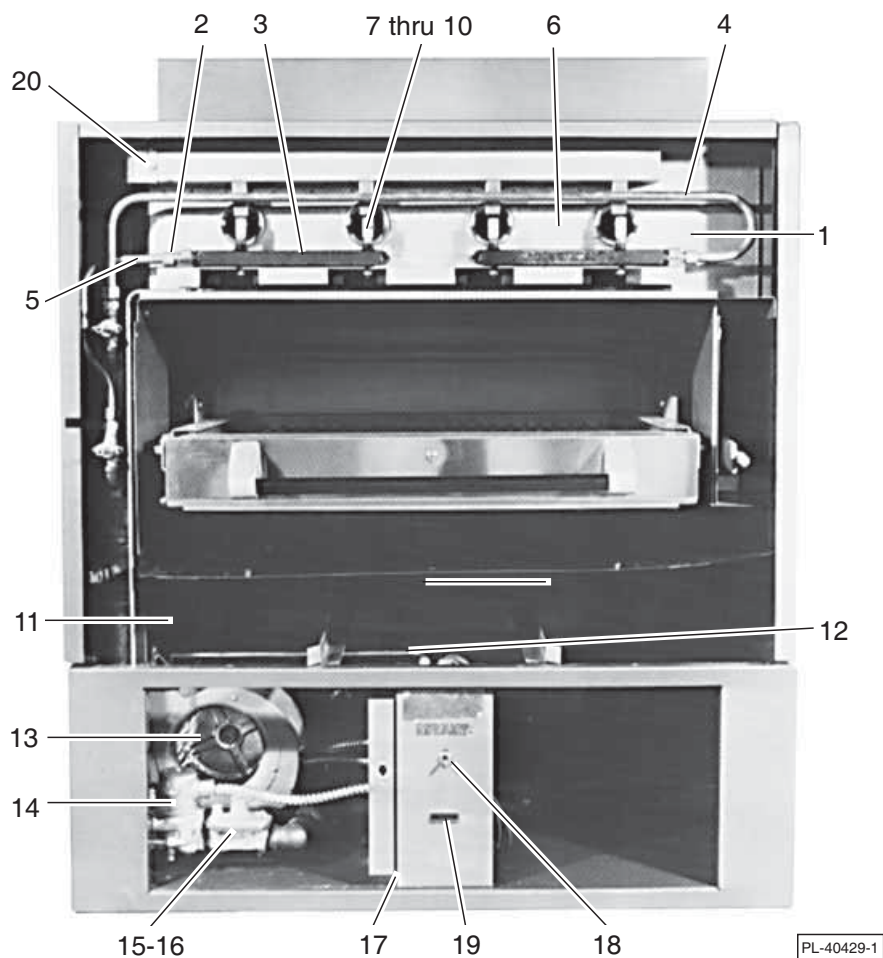
PL-40428-1



PARTS - REAR VIEW IR1, IR2, GHIR44

ILLUS.	PART NO.	NAME OF PART	QTY.			
			IR1	IR2	GHIR44	HCB1 HCB2
1	00-408987-000G1	Body Back (Cabinet)	1	1		
	00-408987-000G3	Body Back (Cabinet)			1	
	00-408214-000G1	Body Back (Cabinet)				1
2	FP-085-88	Inlet Pipe	1	1		
	FP-085-97	Inlet Pipe			1	1
3	00-405016-00001	Elec. Supply Cord	1	1	1	
4	00-408647-00001	Elec. Cover Plate	1	1	1	
5	00-409896-00001	Body Back			1	
	00-408210-00003	Body Back (Upper)		1		1
	00-405407-00003	Body Back (Upper)			1	
	00-408210-00001	Body Back (Lower)	1	1		1
	00-409158-00001	Body Back (Lower)			1	

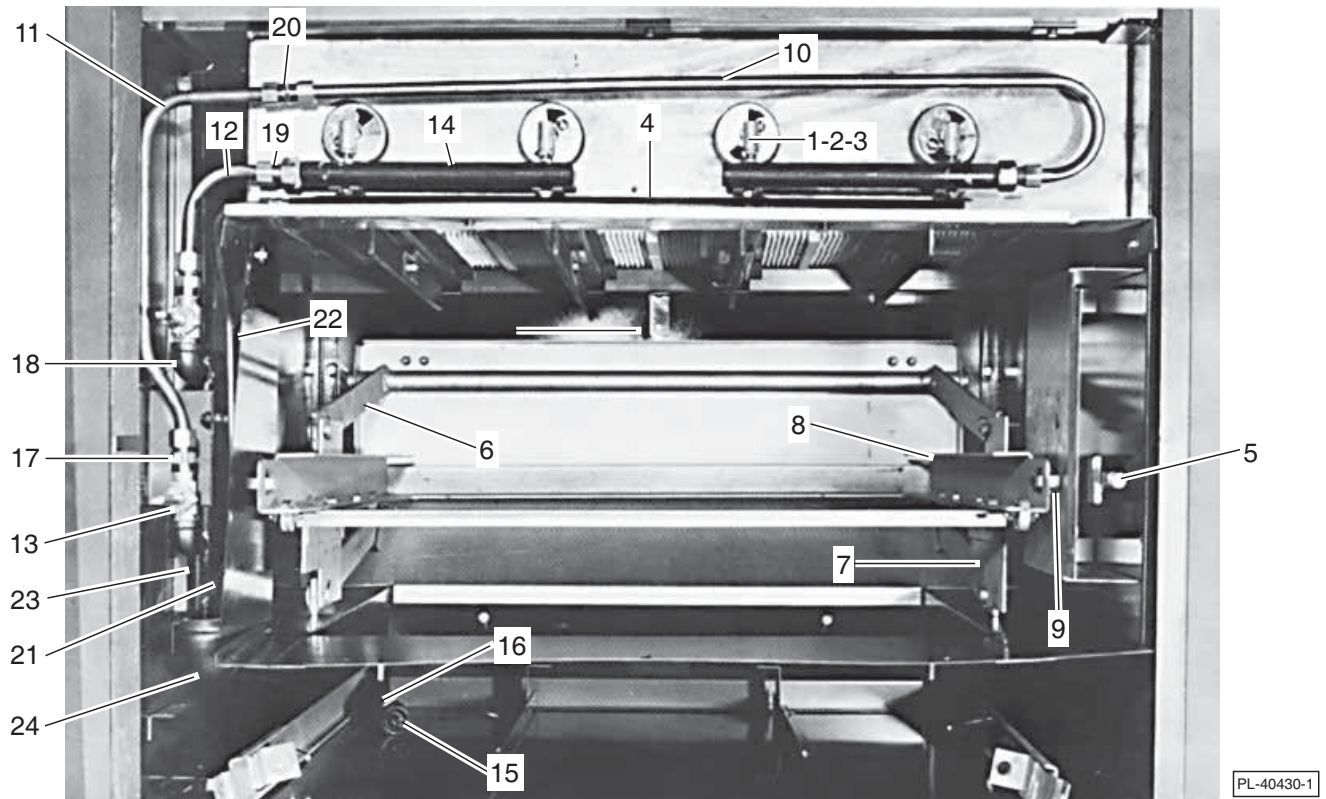
HEAVY DUTY GAS BROILER REPLACEMENT PARTS



PARTS - FRONT VIEW FRAME REMOVED IR1 & IR2

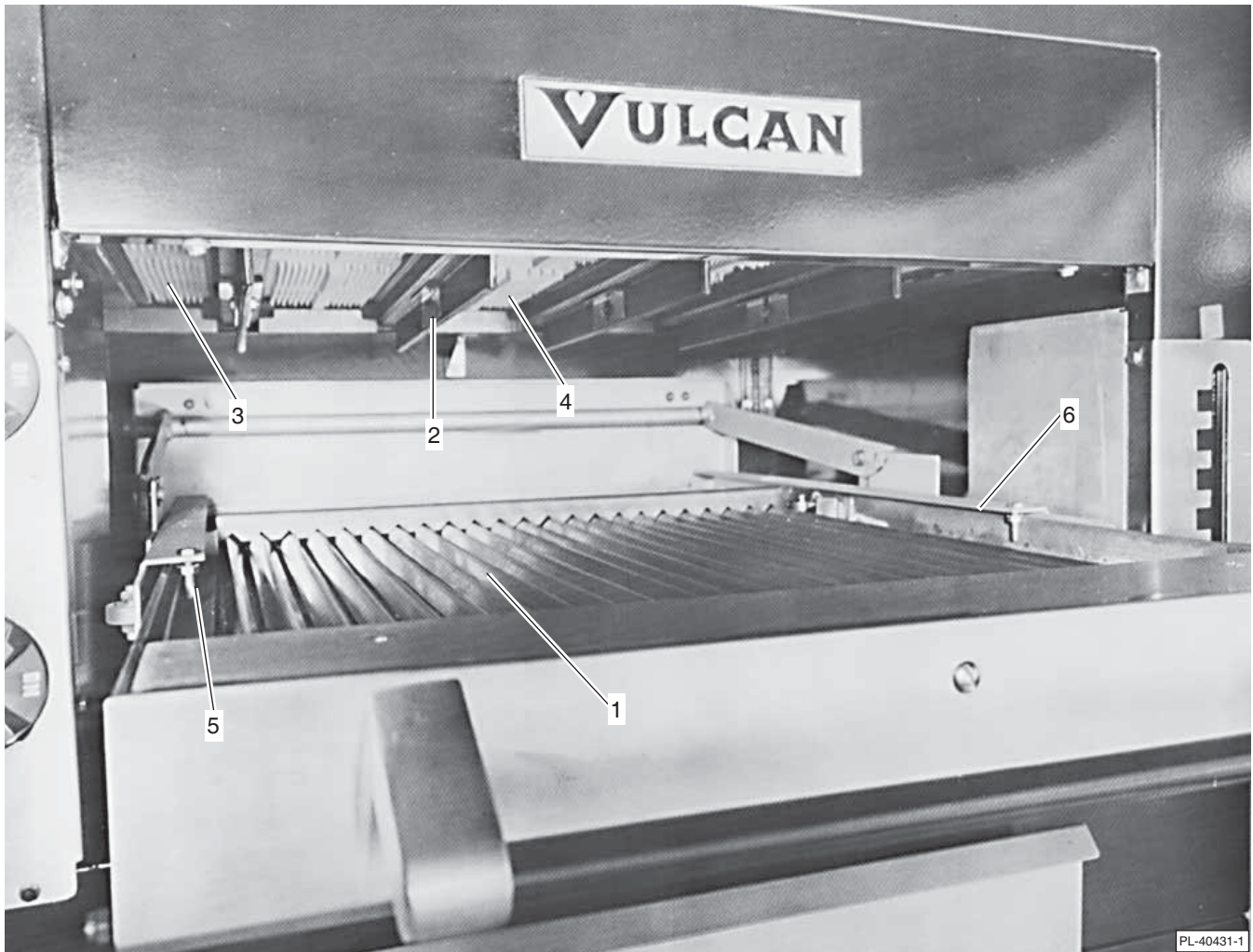
ILLUS.	PART NO.	DESCRIPTION	QTY.	
			IR1	IR2
PL-40429-1				
1	00-415095-000G1	Front Burner Shield Assembly	1	2
2	FP-012-49	Fitting 1/2 CC to 1/2 MPT	2	4
3	00-414861-00001	Burner Sub-Manifold (Prior to July 2004)	2	4
4	00-415133-00001	Right Hand Burner Tube	1	2
5	00-415134-00001	Left Hand Burner Tube	1	2
6	FP-035-01	Close Nipple 1/8"	4	8
7	00-405643-0000F	Pilot Elbow Burner	4	8
8	00-010901-00044	Orifice Spud (NAT.)	4	8
9	00-010901-00055	Orifice Spud (PROPANE)	4	8
10	00-010901-00056	Orifice Spud (BUTANE)	4	8
11	00-415089-00001	Air Transition Box	1	1
12	00-409759-00002	Pressure Switch Tubing	1	1
13	00-413552-00004	Blower Motor	1	1
14	00-428578-000G1	Solenoid	1	1
15	00-408279-00020	Regulator (NAT.)	1	1
16	00-408279-00021	Regulator (PROPANE & BUTANE)	1	1
17	00-409033-000G2	Lock Panel	1	1
18	00-417812-00001	Toggle Switch	1	1
19	00-411496-000E4	Signal Light	1	1
20	00-415300-000G1	Air Transition Box	1	
	00-415299-000G1	Air Transition Box		2
	00-415807-00001	Pilot Shield	4	8
	00-497022-00001	Burner Sub-Manifold (July 2004 to Present)	1	1

HEAVY DUTY GAS BROILER REPLACEMENT PARTS



PARTS - FRONT VIEW FRAME REMOVED HCB2

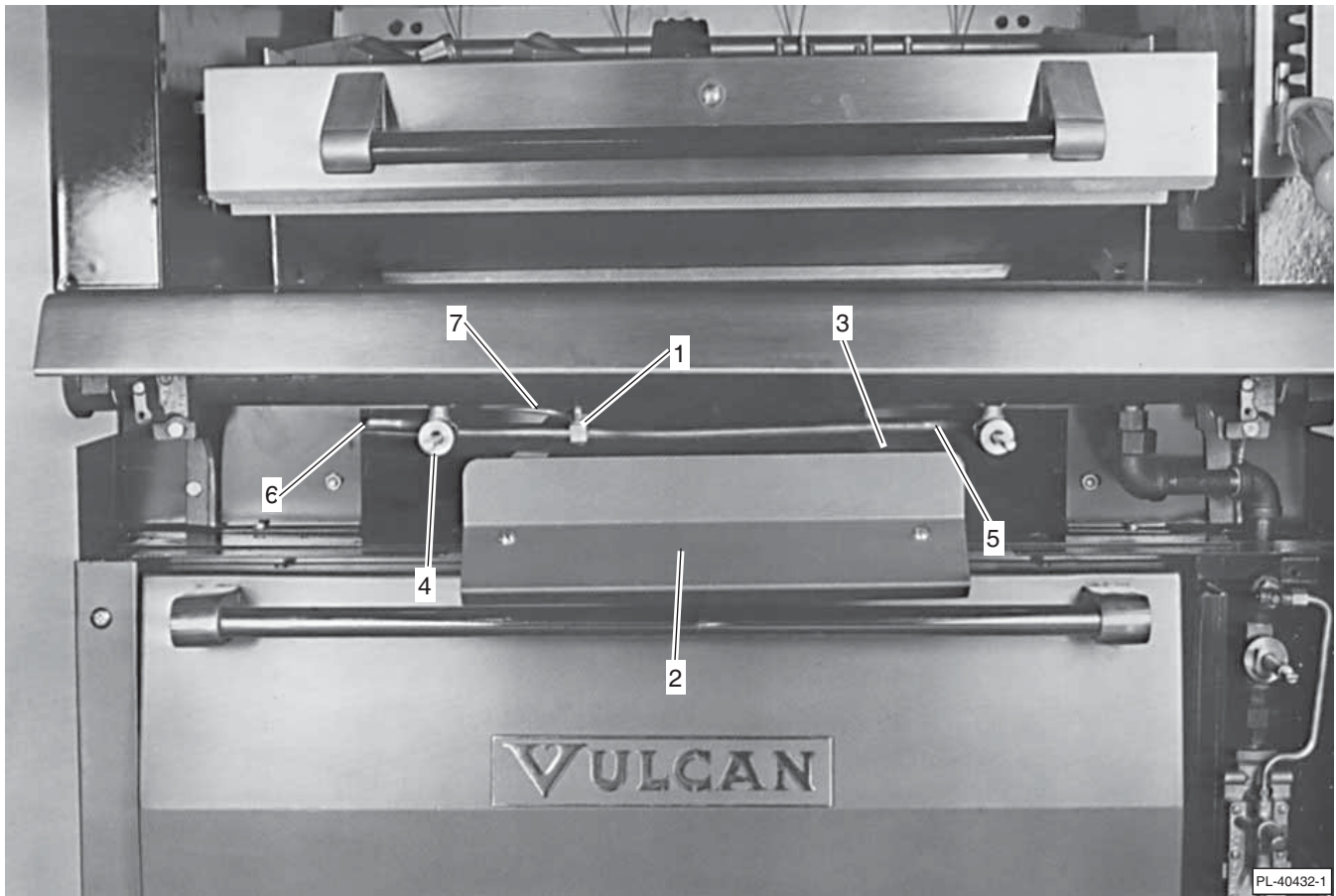
ILLUS.	PART NO.	DESCRIPTION	QTY.	
			HCB1	HCB2
1	00-010901-00042	Pilot Burner Orifice (NAT.)	4	8
2	00-010901-00053	Pilot Burner Orifice (PROPANE)	2	4
3	00-405643-0000F	Elbow Nozzle	AR	AR
4	00-411463-000G1	Pilot Manifold Assembly	1	2
5	00-413607-000G1	Grid Arm Lifting Assembly	1	2
6	00-408770-000G1	Upper Lever Arm Assembly	1	2
7	00-408774-000G1	Lower Lever Arm Assembly	1	2
8	00-497762-000G1	Grid Carriage Assembly	1	2
9	00-405655-00003	Roller Bearing With Shaft	2	4
10	00-408078-00001	Rt. Hd. Burner Tubing	1	2
11	00-408328-00001	Rt. Burner Tubing Valve to Double CC Fitting	1	1
12	00-408329-00001	Lt. Burner Tubing Fitting to Valve	1	1
13	00-407789-00001	Burner Valve	2	4
14	00-408076-000G1	Sub - Manifold Assembly	1	2
15	00-407724-00001	Spring Lifting Arm (Inner)	2	4
16	00-401992-00002	Spring Lifting Arm (Outer)	2	4
17	FP-012-01	Fitting $\frac{3}{8}$ " to $\frac{1}{2}$ " CC	2	4
18	FP-016-02	Elbow Street $\frac{1}{2}$ " x $\frac{3}{8}$ "	2	4
19	FP-012-49	Fitting Straight $\frac{1}{2}$ " x $\frac{1}{2}$ " CC	2	4
20	FP-077-36	Fitting Straight Double $\frac{1}{2}$ " CC	2	4
21	FP-012-21	Elbow $\frac{1}{8}$ " NPS x $\frac{1}{4}$ " CC	1	2
22	00-426505-00014	Pilot Tube Valve to CC Elbow	1	2
	00-415229-00001	Pilot Tube Valve to CC Elbow	1	2
23	00-408199-000G1	1" Manifold Pipe	1	2
24	FP-079-97	Elbow Reducing 1" x $\frac{3}{4}$ "	2	4
	00-405655-00001	Roller Bearing Without Shaft	2	4



PARTS - GRID ASSEMBLY HCB2

ILLUS.	PART NO.	DESCRIPTION	QTY.			
			HCB1	HCB2	GHCB40	GHCB44
1	00-417074-000G1	Grid Final Assembly	1	2	1	1
2	00-411551-000G1	Burner Assembly	4	8	4	4
3	00-404146-00001	Burner Side Ceramics	8	16	8	8
4	00-404145-00001	Burner Center Ceramics	12	24	12	12
5	SC-036-08	Grid Stop Bolt Hex Head 1/4" x 1 1/4"	3	6	3	3
6	00-497762-000G1	Grid Carriage	1	2	1	1
	00-408111-00002	Drip Shield Rod	1	2	1	1
	00-413607-000G1	Lifting Arm Assembly	1	2		
	00-413612-000G1	Lifting Arm Assembly			1	1
	00-416844-00001	Front Cooking Grate	1	2	1	1
	00-416845-00001	Rear Cooking Grate	1	2	1	1
	00-408726-000G2	Ceramic Set (8 Sides & 12 Centers)	1	2	1	1
	00-408244-000G2	Brick Support (Left Side)	1	2	1	1
	00-408244-000G1	Brick Support (Right Side)	1	2	1	1

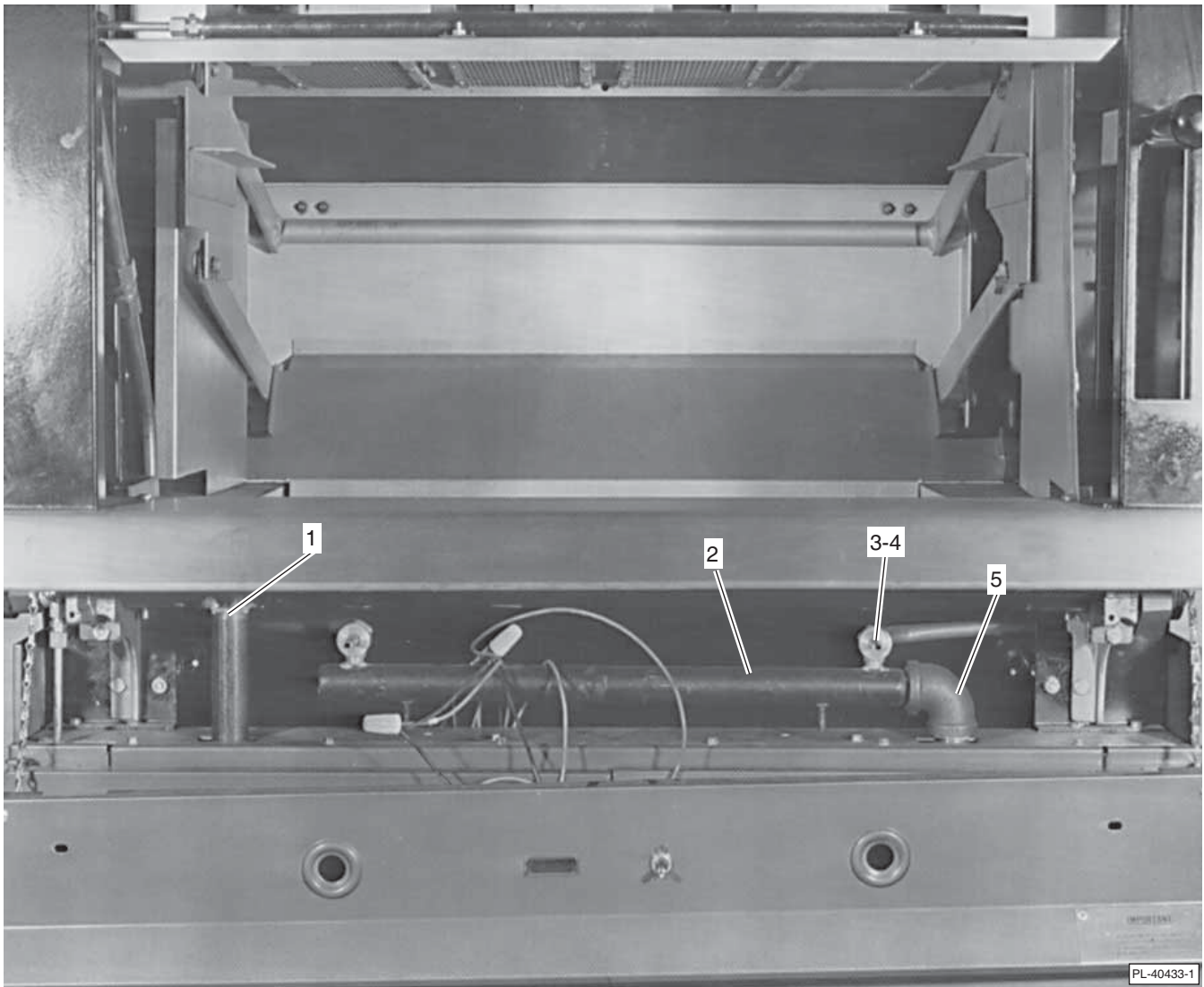
HEAVY DUTY GAS BROILER REPLACEMENT PARTS



PARTS - UPPER MANIFOLD ASSEMBLY GHCB40

ILLUS.	PART NO.	DESCRIPTION	QTY.
PL-40432-1			
1	00-404738-00003	Pilot Valve	4
2	00-409873-00001	Grease Collector Front Panel (SS)	1
3	00-409899-000G1	Grease Collector Assembly	1
4	00-408379-00003	Burner Valve	2
5	00-408079-00001	Burner Valve Tube, Rt.	1
6	00-408079-00002	Burner Valve Tube, Lt.	1
7	00-411696-00001	Pilot Supply Tube	1
	00-010901-00032	Orifice Spud Nat. Gas (Ceramic Burner)	4
	00-010901-00053	Orifice Spud Propane Gas (Ceramic Burner)	4
	00-010901-00054	Orifice Spud Butane Gas (Ceramic Burner)	4
	00-405643-0000F	Elbow Nozzle (Ceramic Burner)	4
	00-411469-00002	Pilot Lighter Tube (Ceramic Burner)	4
	00-408485-00080	Nozzle (Nat. Gas)	4
	00-408485-00010	Nozzle (LP or MFG Gas)	4

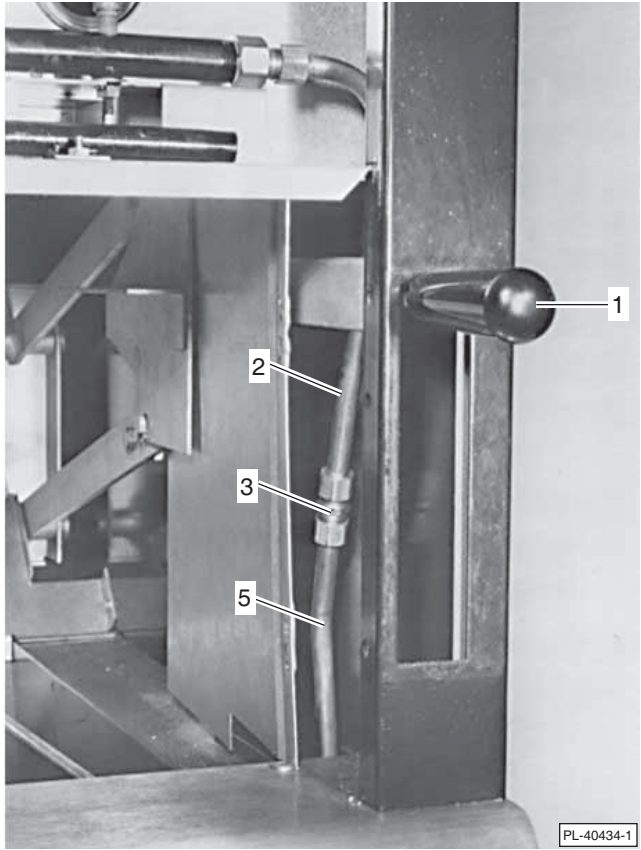
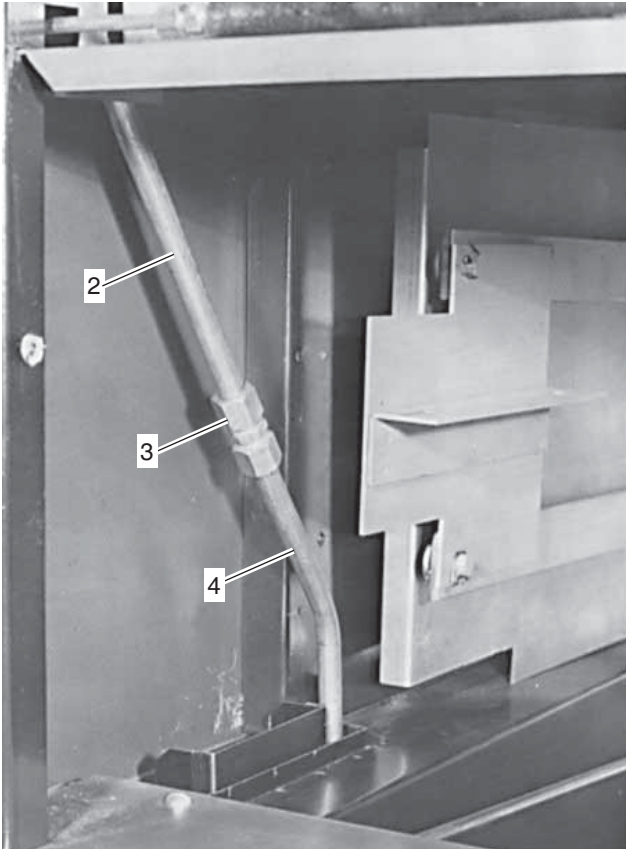
(SS) Stainless Steel



PARTS - GHIR44 WITH MANIFOLD COVER DROPPED

ILLUS. PL-40433-1	PART NO.	DESCRIPTION	QTY.
1	00-413500-00E98	Drop Pipe $\frac{3}{4}$ " x $12 \frac{1}{4}$ "	1
2	00-408422-000G1	Sub-Manifold	1
3	00-408119-0001L	Valve HI-MED-LO (PROPANE & BUTANE)	2
4	00-408119-0001N	Valve HI-MED-LO (NAT.)	2
5	FP-013-22	Elbow $\frac{3}{4}$ " 90°	1

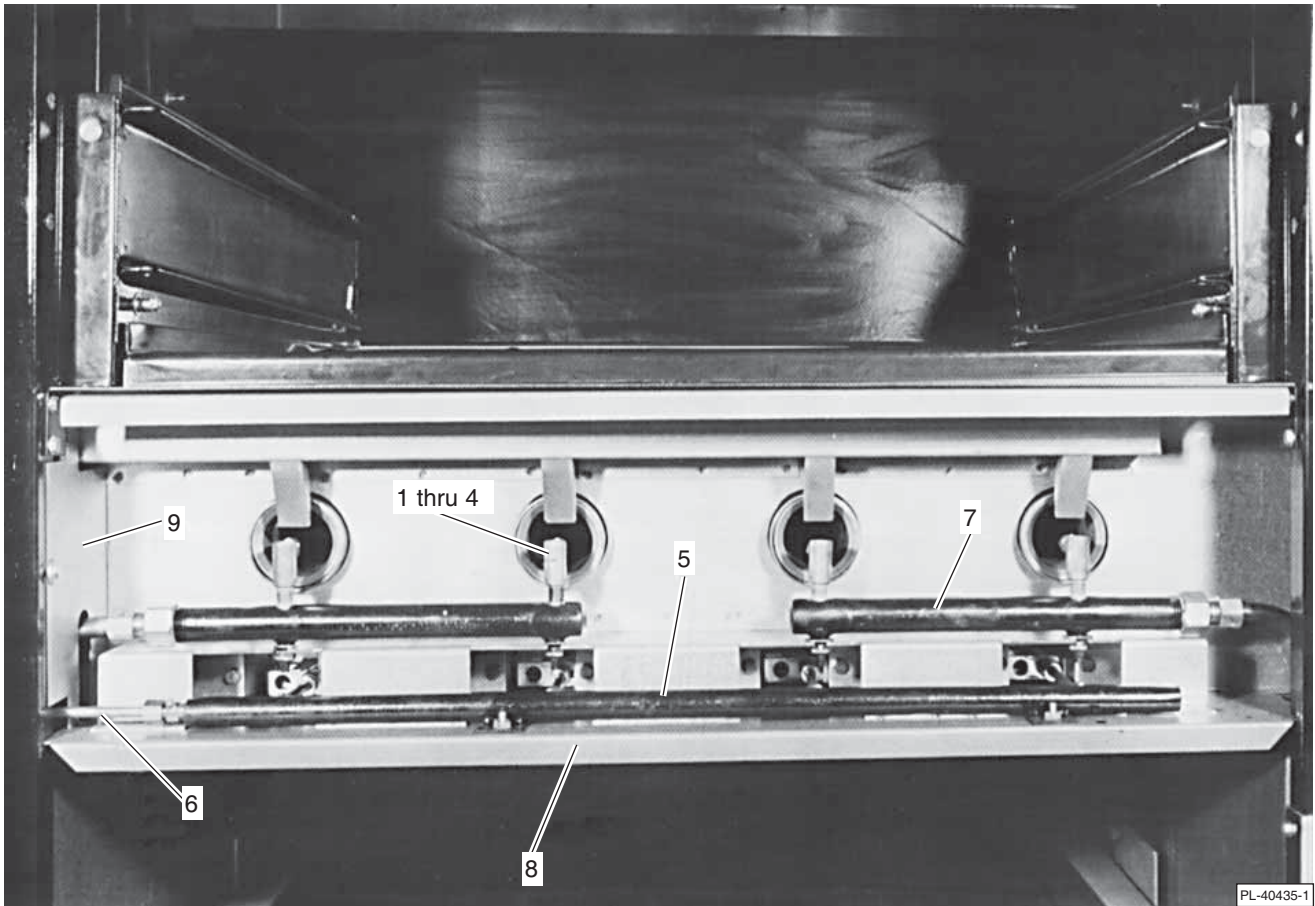
HEAVY DUTY GAS BROILER REPLACEMENT PARTS



PL-40434-1

PARTS - BURNER TUBING ASSEMBLY LT. & RT. GHIR44

ILLUS.	PART NO.	DESCRIPTION	QTY.
PL-40434-1			
1	00-407785-00002	Grid Handle	1
2	00-414863-00001	Burner Tubing	2
3	FP-077-36	Fitting 1/2 x 1/2 CC	2
4	00-414749-00001	Lt. Hd. Burner Tubing	1
5	00-414866-00001	Rt. Hd. Burner Tubing	1

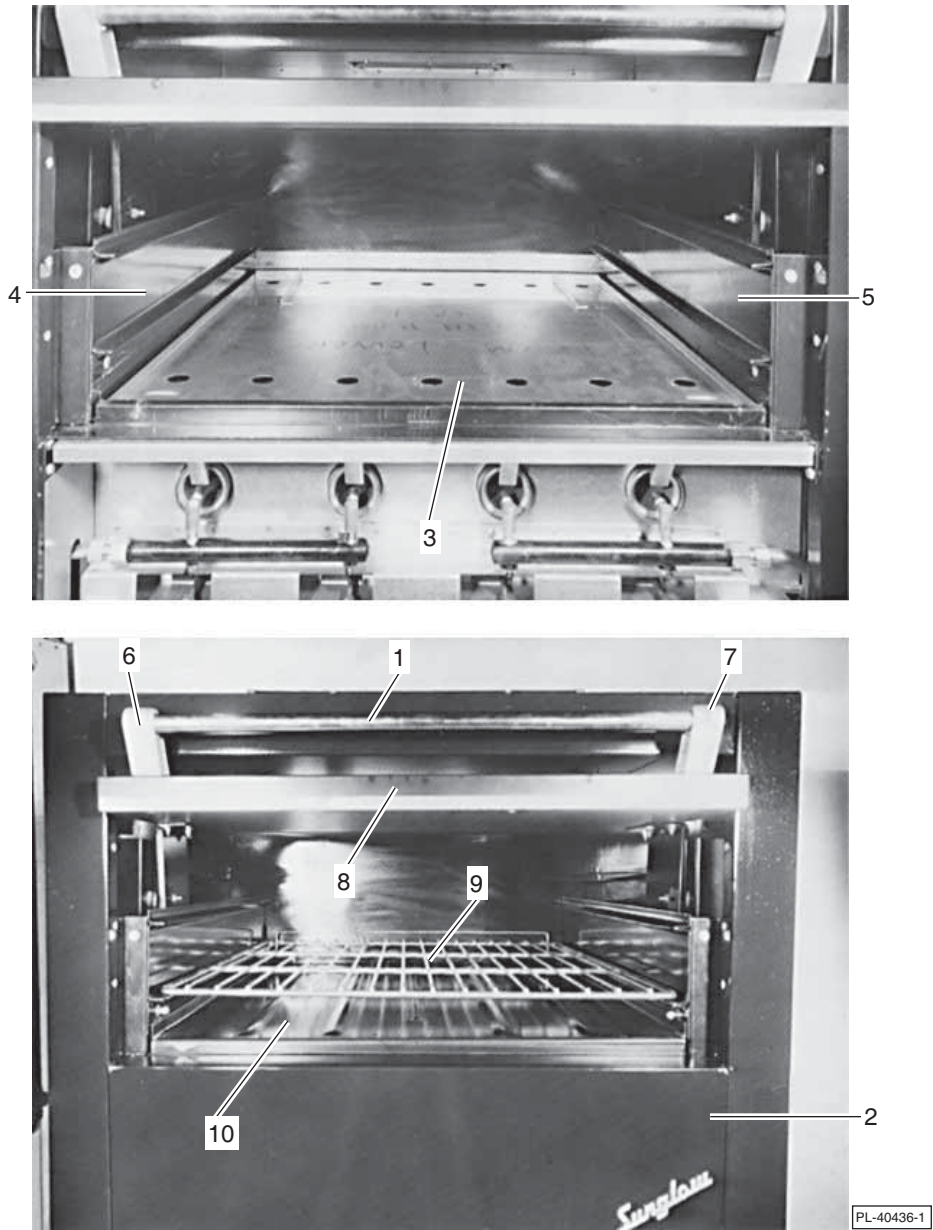


PARTS - PILOT MANIFOLD ASSEMBLY GHIR44

ILLUS. PL-40435-1	PART NO.	DESCRIPTION	QTY.
1	00-405643-0000F	Elbow Pilot Nozzle	4
2	00-010901-00044	Orifice Spud (NAT.)	4
3	00-010901-00055	Orifice Spud (PROPANE)	4
4	00-010901-00056	Orifice Spud (BUTANE)	4
5	00-414860-00001	Pilot Manifold Assembly	1
6	00-426505-00030	Pilot Tube - Adj. Valve to 1/4" CC	1
* 7	00-497022-00001	Burner Sub Assembly	2
8	00-414753-000G1	Front Burner Shield Assembly	1
9	00-414870-00003	Air Closure	1
	00-415807-00001	Pilot Shield	4

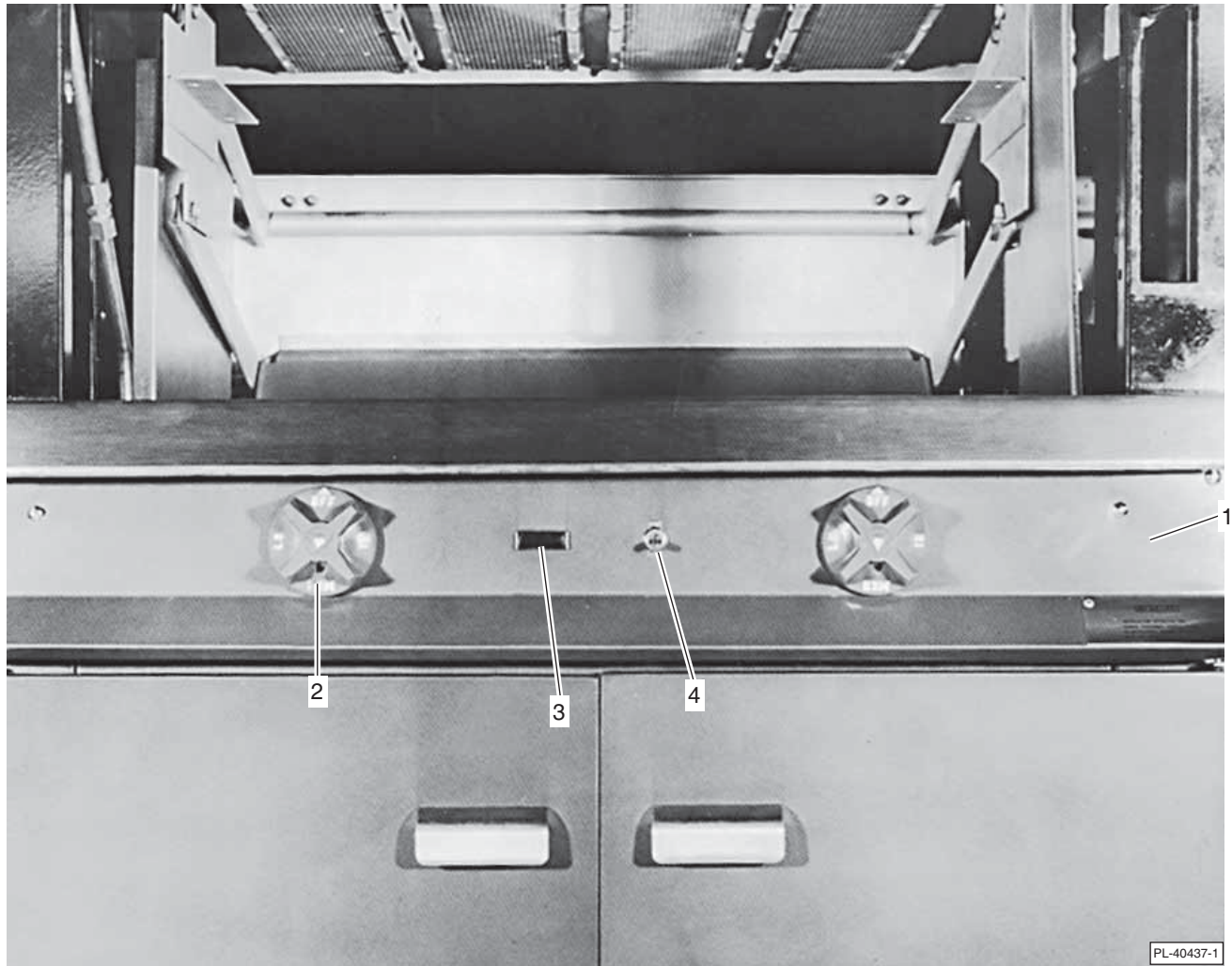
* Must Order Qty. 2 of [FP-035-05](#) When Ordering Part [00-497022-00001](#).

HEAVY DUTY GAS BROILER REPLACEMENT PARTS



PARTS - AUGRATIN OVEN COMPARTMENT GHIR44

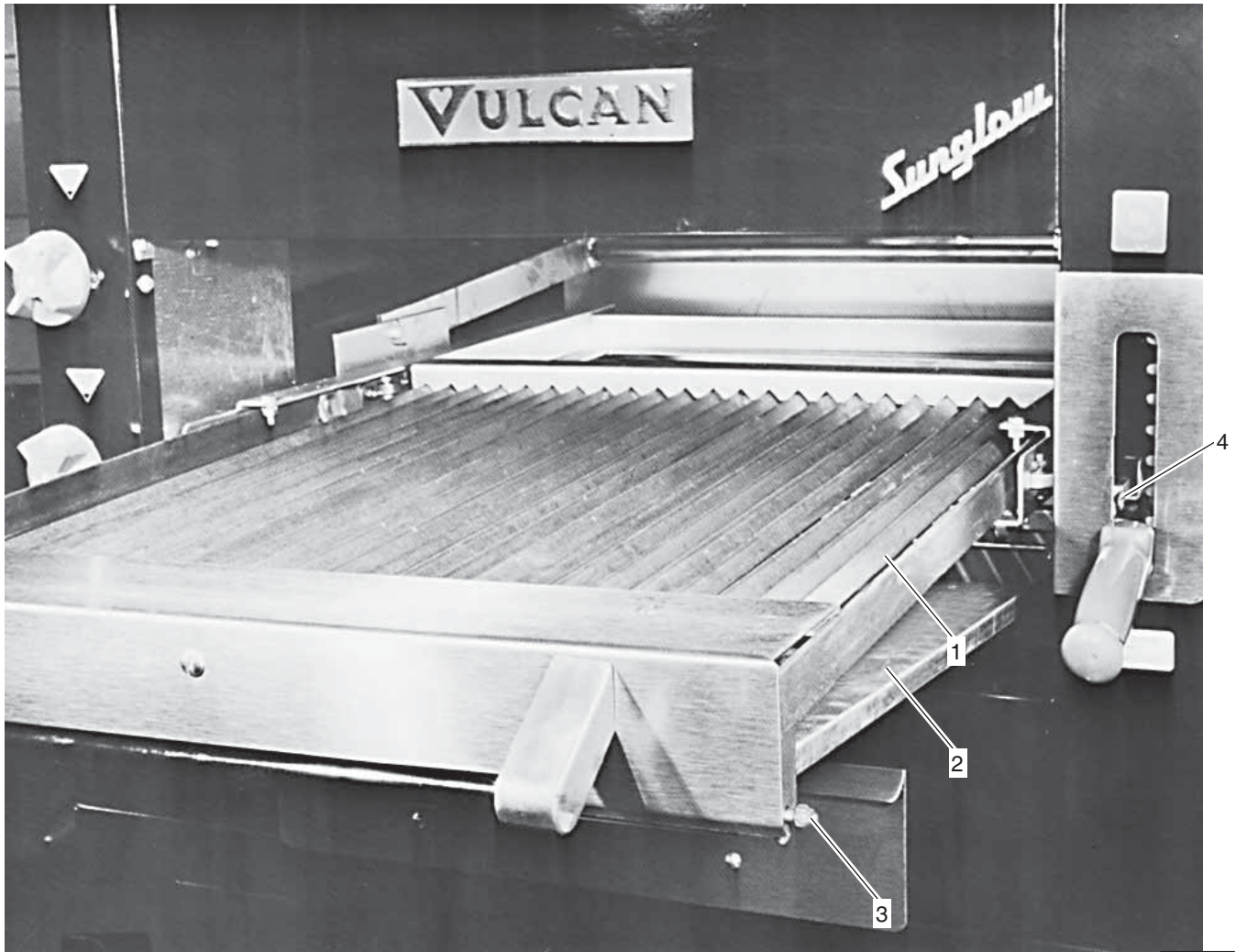
ILLUS.	PART NO.	DESCRIPTION	QTY.
PL-40436-1			
1	00-401847-00001	Handle	1
2	00-405499-00002	Burner Box Cover	1
3	00-405522-000G1	Augratin Oven Bottom Baffle Assembly	1
4	00-405489-000G2	Lt. Hd. Side Lining Assembly	1
5	00-405489-000G1	Rt. Hd. Side Lining Assembly	1
6	00-404549-00002	Post, Left Hand	1
7	00-404549-00001	Post, Right Hand	1
8	00-405488-000G2	Oven Door Assembly	1
9	00-404074-00002	Oven Rack (Augratin Oven)	1
10	00-405123-000G3	Oven Bottom Assembly (Augratin)	1



PARTS - CONTROL PANEL GHIR44

ILLUS.	PART NO.	DESCRIPTION	QTY.
PL-40437-1			
1	00-409653-00006	Manifold Cover Assembly (SS)	1
2	00-407727-00004	Knob HI-MED-LO	2
3	00-411496-000E4	Signal Light	1
4	00-417812-00001	Toggle Switch	1

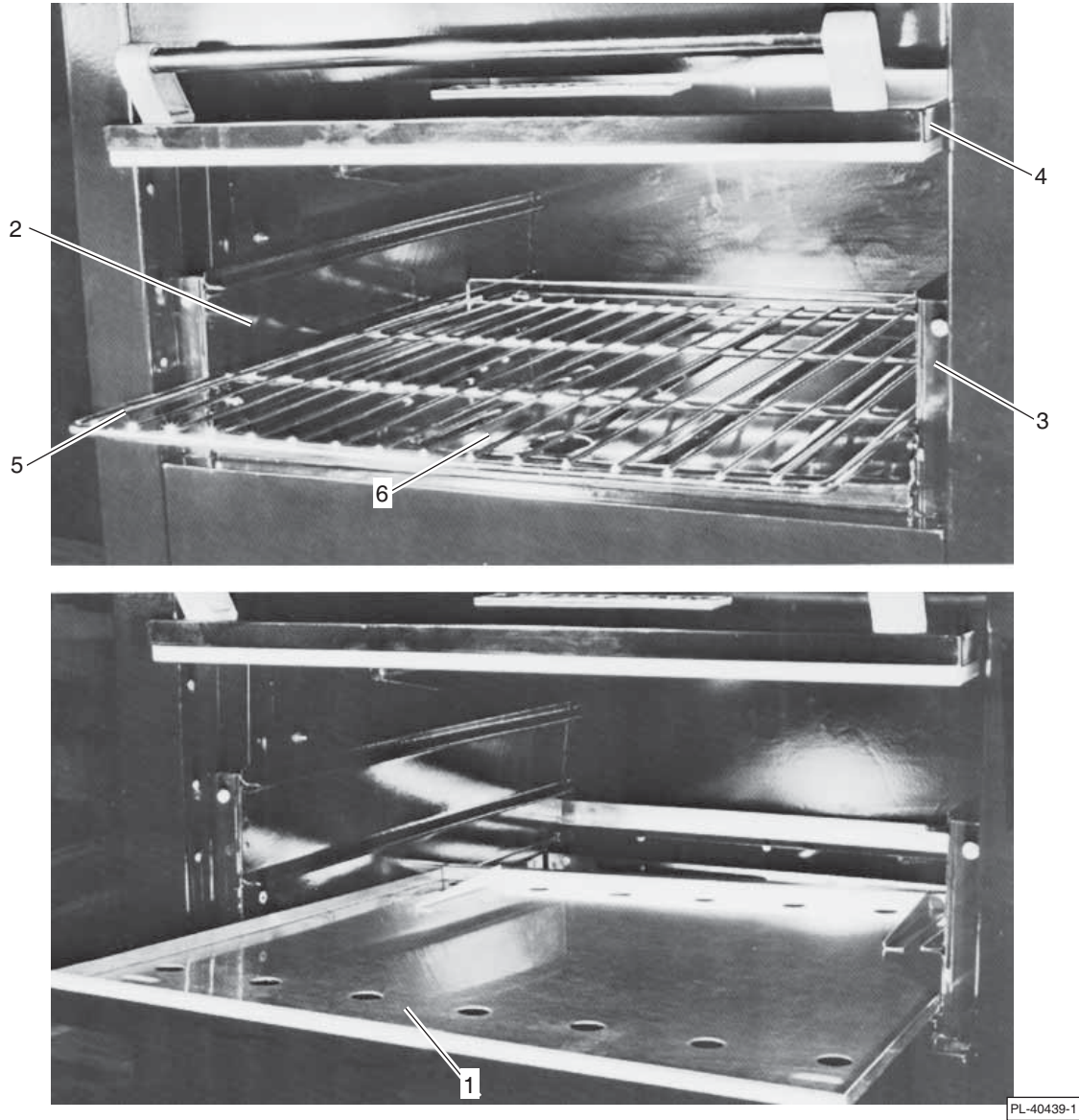
HEAVY DUTY GAS BROILER REPLACEMENT PARTS



PL-40438-1

PARTS - GRID ASSEMBLY GHCB40 & GHCB44

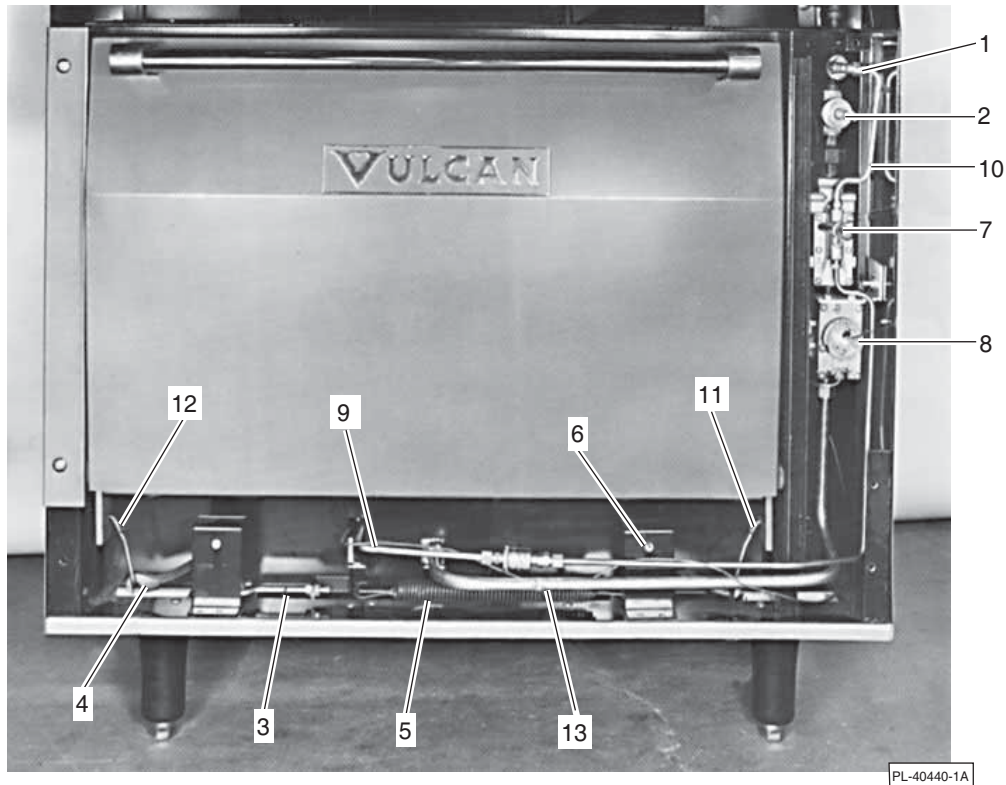
ILLUS.	PART NO.	DESCRIPTION	QTY.	
			GHCB40	GHCB44
PL-40438-1				
1	00-417074-000G1	Grid Final Assembly	1	1
2	00-411040-000G1	Grid Drip Shield	1	1
3	00-411280-00001	Drip Shield Rod	1	1
4	00-413612-000G1	Lifting Arm Assembly	1	1



PARTS - AUGRATIN OVEN SECTION GHCB40 & GHCB44
PARTS - AUGRATIN OVEN BAFFLE GHIR44, GHCB44 & GHCB40

ILLUS. PL-40439-1	PART NO.	DESCRIPTION	QTY.		
			GHIR44	GHCB40	GHCB44
1	00-405522-000G1	Oven Bottom Baffle Assembly	1	1	1
2	00-405489-000G2	Oven Side Lining Assembly, Lt. Hd.	1	1	1
3	00-405489-000G1	Oven Side Lining Assembly, Rt. Hd.	1	1	1
4	00-405488-000G2	Augratin Oven Door Assembly	1	1	1
5	00-404074-00002	Oven Rack	1	2	1
6	00-405123-000G3	Oven Bottom Assembly	1	1	1

HEAVY DUTY GAS BROILER REPLACEMENT PARTS



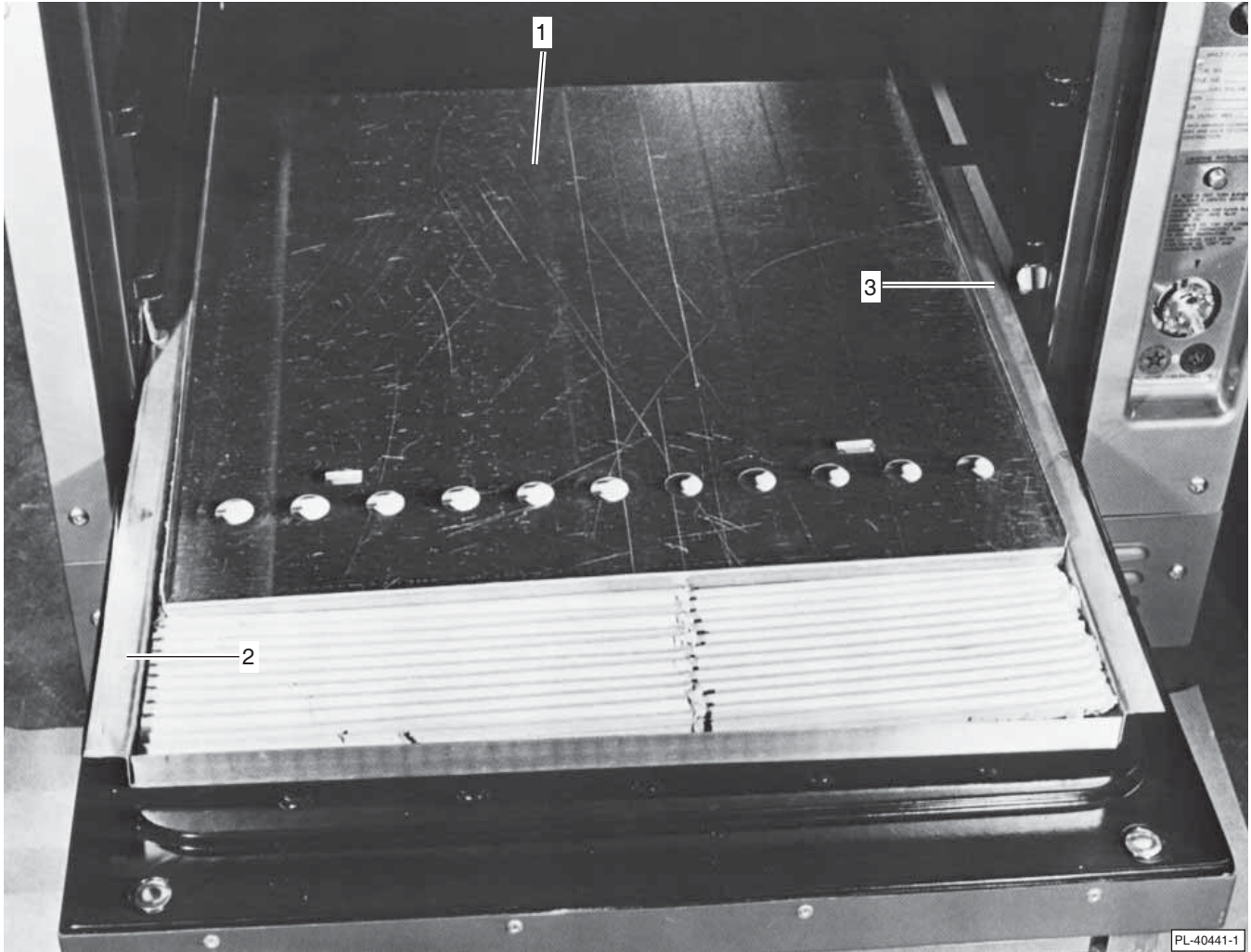
PARTS - OVEN MANIFOLD & CONTROLS GHCB40 / GHCB40C

ILLUS.

PL-40440-1A	PART NO.	DESCRIPTION	QTY.
1	00-404193-00001	Pilot Valve	1
2	00-407789-00001	Burner Valve	1
3	00-413091-00001	J Hook	2
4	00-403956-00001	Bell Crank	2
5	00-412014-00001	Oven Door Spring	1
6	00-403971-00001	Bell Crank Pin	2
7	00-407798-00004	Safety Valve (FMDA) (Prior to Sept. 2000)	1
	00-427083-00002	Safety Valve (TS11) (Sept. 2000 Thru Aug. 2004)	1
	00-720719	Safety Valve (BASO) (Sept. 2004 to Present)	1
8	00-407522-00001	Thermostat	1
9	00-426505-00042	Pilot Tubing Shut Off to Pilot (Not Shown)	1
10	00-426505-00006	Pilot Tubing Pilot Valve to Shut Off	1
11	00-405618-00002	Oven Door Hook, Right	1
12	00-405618-00001	Oven Door Hook, Left	1
13	00-409824-00001	Oven Burner Tubing	1
	00-405643-0000F	Oven Burner Elbow	1
	00-010901-00049	Oven Orifice Spud Propane	1
	00-010901-00050	Oven Orifice Spud Butane	1
	00-412788-00002	Thermocouple (TS11 Valve)	1
	00-412788-00004	Thermocouple (BASO Valve)	1
	00-409125-00001	Oven Pilot (Nat. Gas) (Prior to Sept. 2000)	1
	00-409125-00003	Oven Pilot (LP Gas) (Prior to Sept. 2000)	1
	00-409125-00002	Oven Pilot (MFG Gas) (Prior to Sept. 2000)	1
	00-426262-00001	Oven Pilot (Nat. Gas) (Sept. 2000 to Present)	1
	00-426262-00002	Oven Pilot (LP Gas) (Sept. 2000 to Present)	1

CONVECTION OVENS GHCB40C

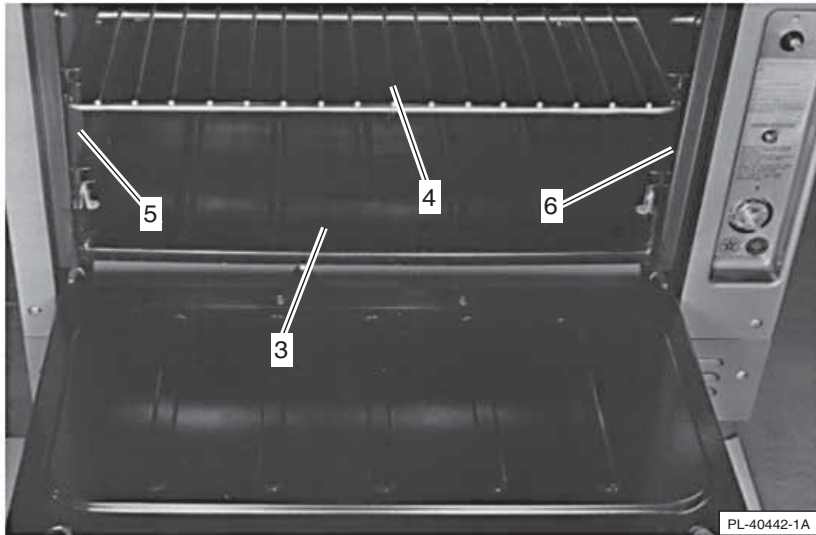
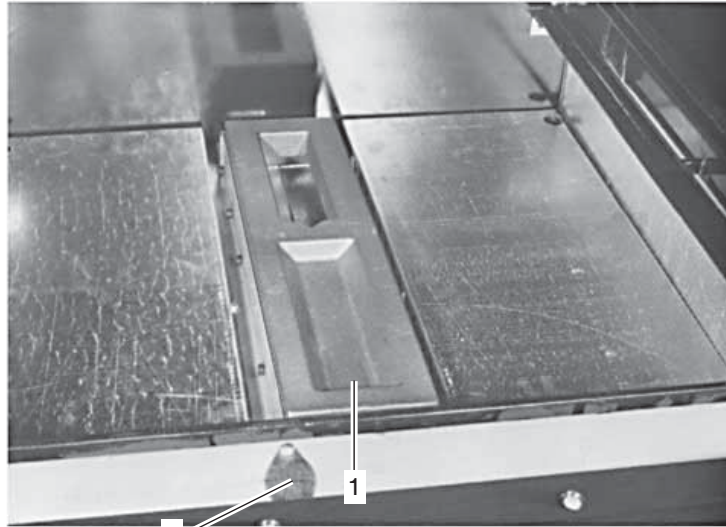
00-419730-00001	Motor (120V)	1
00-411496-000F1	Micro Switch Door	2
00-418557	Door Gasket	2
00-411496-000B4	ON/OFF Switch	2
00-411496-000E4	ON Light	2
00-413976-00001	Thermostat Knob	2
00-411506-00003	Convection Oven Thermostat	2



PARTS - OVEN BAFFLE ASSEMBLY GHCB40

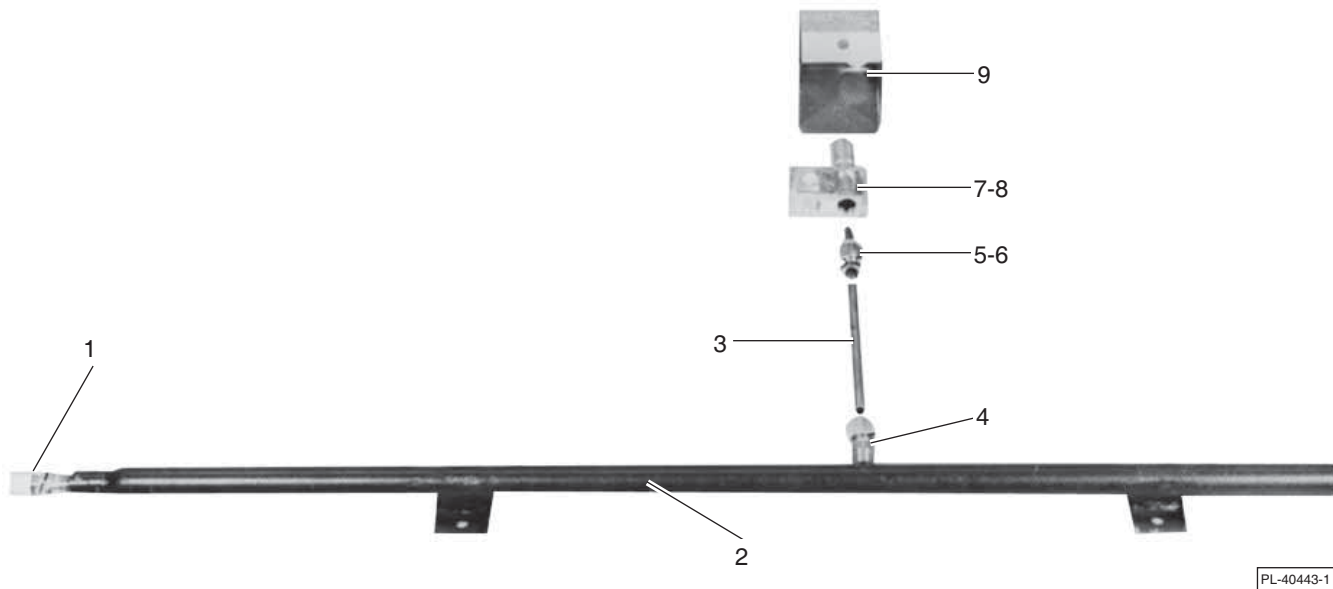
ILLUS.	PART NO.	DESCRIPTION	QTY.
PL-40441-1			
1	00-405124-00005	Oven Bottom Baffle	1
2	00-405928-00004	Foil Face Insulation	1
3	00-409787-00001	Oven Bottom Insulation Pan	1

HEAVY DUTY GAS BROILER REPLACEMENT PARTS



PARTS - OVEN SECTION GHCB40

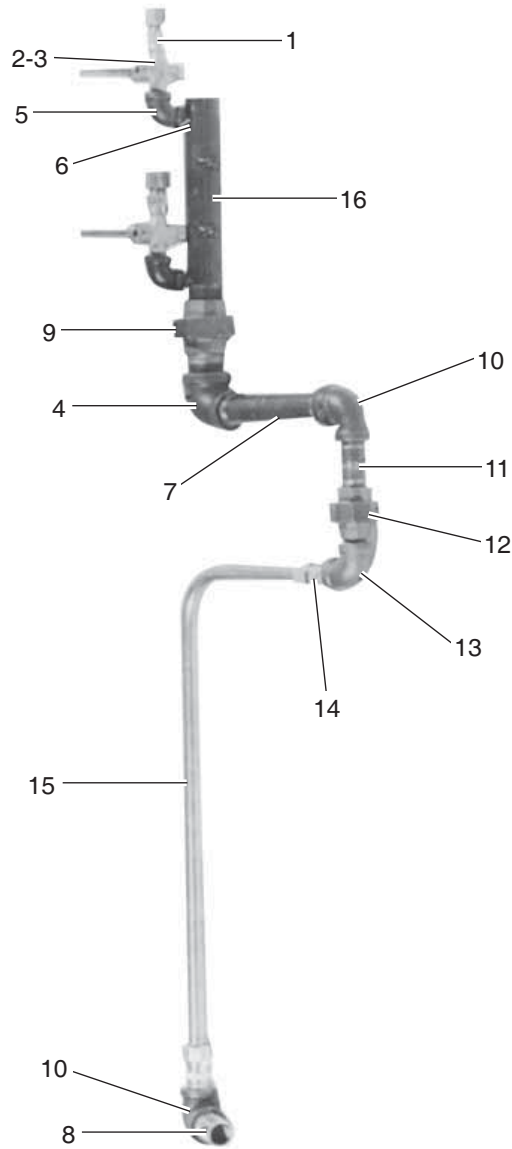
ILLUS.	PART NO.	DESCRIPTION	QTY.
1	00-409819-000G2	Burner Assembly (Oven)	1
2	00-411928-00001	Lighting Hole Cover	2
3	00-405123-000G3	Oven Bottom Assembly	1
4	00-404074-00002	Oven Rack	2
5	00-409778-000G2	Oven Side Lining Assem., Lt. Hd.	1
6	00-409778-000G1	Oven Side Lining Assem., Rt. Hd.	1



PARTS - PILOT ASSEMBLY IR1, IR2, GHIR44

ILLUS.	PART NO.	DESCRIPTION	QTY.		
			IR1	IR2	GHIR44
PL-40443-1					
1	00-404738-00003	Pilot Adj. Valve	1	2	1
2	00-414860-00001	Pilot - Sub Manifold	1	2	1
3	00-414748-00001	Pilot Tube	4	8	4
4	FP-012-16	Fitting 1/8" MPT x 1/4" CC	4	8	4
5	00-408485-00079	Pilot Orifice (NAT.)	4	8	4
6	00-408485-00010	Pilot Orifice (PROPANE)	4	8	4
7	00-414795-00001	Pilot Burner Nozzle (NAT.)	4	8	4
8	00-414795-00002	Pilot Burner Nozzle (PROPANE)	4	8	4
9	00-414862-00001	Pilot Support Housing	4	8	4

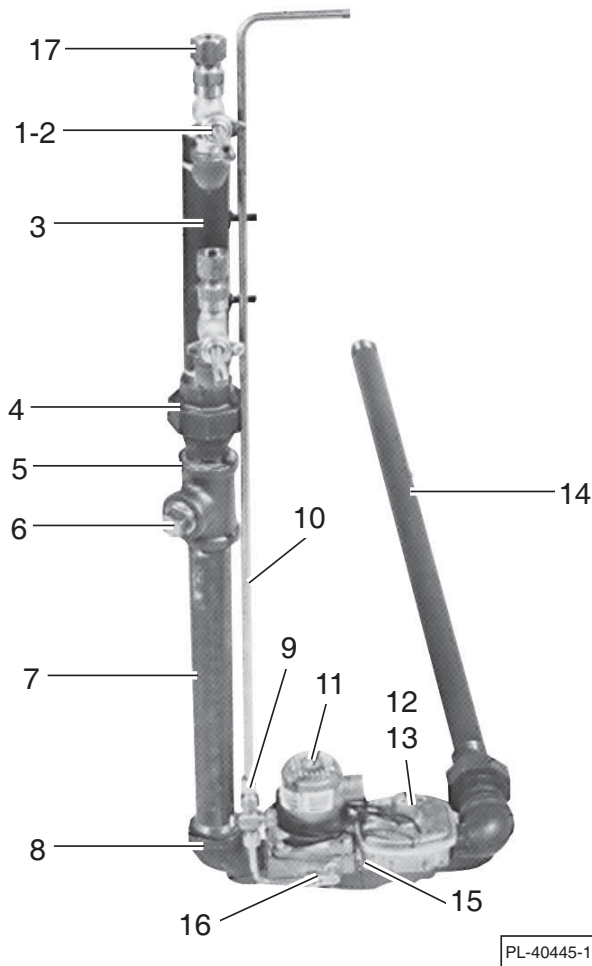
HEAVY DUTY GAS BROILER REPLACEMENT PARTS



PL-40444-1

PARTS - MANIFOLD ASSEMBLY (TOP) IR2

ILLUS.	PART NO.	DESCRIPTION	QTY.
PL-40444-1			
1	FP-012-01	Fitting $\frac{3}{8}$ " x $\frac{1}{2}$ " CC	2
2	00-410610-00008	HI-LO Valve (NAT.)	2
3	00-410610-00009	HI-LOW Valve (PROPANE & BUTANE)	2
4	FP-079-97	Elbow - Reducing $\frac{3}{4}$ " 1" LG.	1
5	FP-016-02	Elbow - Reducing $\frac{1}{4}$ " x $\frac{3}{8}$ "	2
6	FP-035-38	Close Nipple $\frac{1}{4}$ "	2
7	FP-085-88	Nipple $\frac{3}{4}$ " x 6 $\frac{1}{4}$ " LG.	1
8	FP-036-91	Nipple Closed $\frac{3}{4}$ "	1
9	FP-085-61	Union - Male Female 1"	1
10	FP-078-89	Elbow - Reducing $\frac{1}{2}$ " x $\frac{3}{4}$ "	2
11	FP-035-96	Nipple $\frac{1}{2}$ " x 2 $\frac{1}{2}$ " LG.	1
12	FP-022-11	Union $\frac{1}{2}$ "	1
13	FP-077-68	Elbow $\frac{1}{2}$ " 90°	1
14	FP-012-08	Fitting $\frac{1}{2}$ " x $\frac{5}{8}$ " CC	2
15	FP-059-76	Nipple $\frac{3}{4}$ " x 2 $\frac{1}{4}$ "	1
16	00-408199-000G2	Manifold Pipe Assembly	1

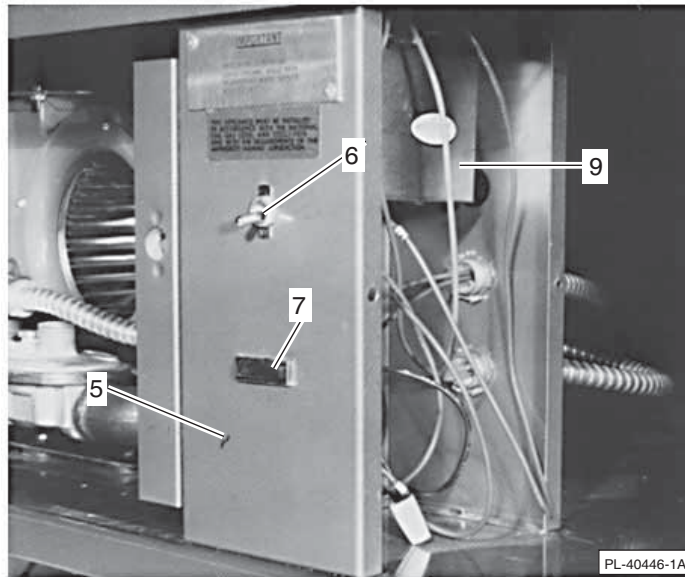
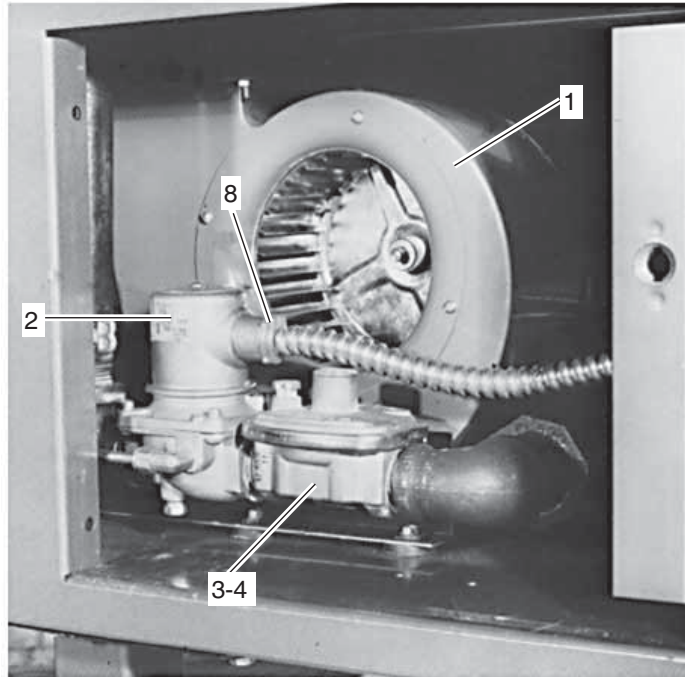


PARTS - MANIFOLD ASSEMBLY (BOTTOM) IR1 & IR2

ILLUS.	PART NO.	DESCRIPTION	QTY.	
			IR1	IR2
PL-40445-1				
1	00-410610-00009	HI-LOW Valve (PROPANE & BUTANE)	2	2
2	00-410610-00008	HI-LOW Valve (NAT.)	2	2
3	00-408199-000G2	Manifold Assembly	1	1
4	FP-085-61	Union 1" Male - Female	2	2
5	FP-019-42	Tee Reducing 1" x 1" x 3/4"	1	1
6	FP-028-18	Pipe Plug 3/4"	1	1
7	FP-036-24	Nipple 1" x 12" LG.	1	1
8	FP-079-97	Elbow Reducing 3/4" x 1"	2	2
9	00-404949-00001	Pilot Valve	1	1
10	00-415156-00001	Pilot Tube	1	1
11	00-428578-000G1	Solenoid	1	1
12	00-408279-00021	Regulator (PROPANE OR BUTANE)	1	1
		[Select For Proper Gas]		
13	00-408279-00020	Regulator (NAT.)	1	1
14	FP-085-88	Pipe 1" x 35" LG.	1	1
15	FP-085-01	Nipple 3/4" x 1" LG.	3	3
16	FP-012-21	Elbow Fitting 1/8" x 1/4" CC	1	1
17	FP-012-01	Fitting 3/8" x 1/2" CC	2	2

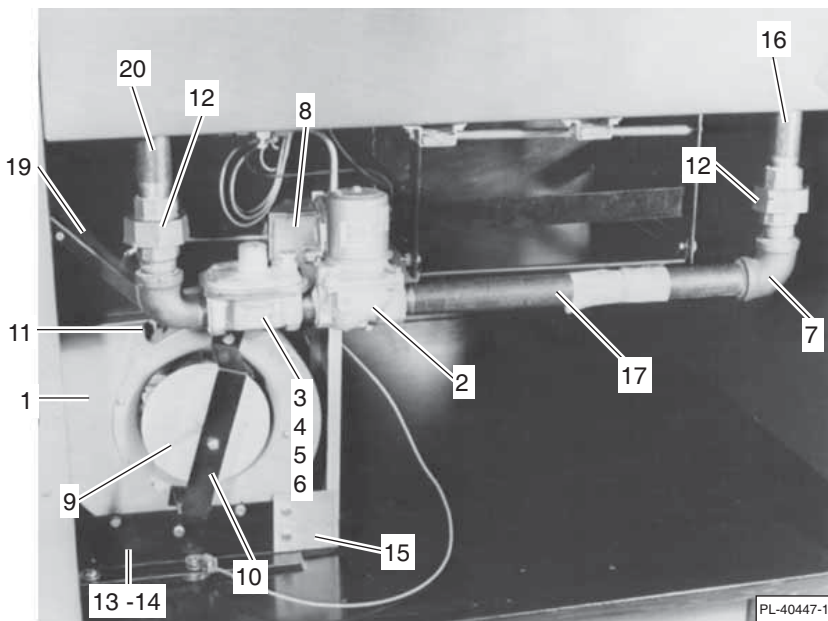
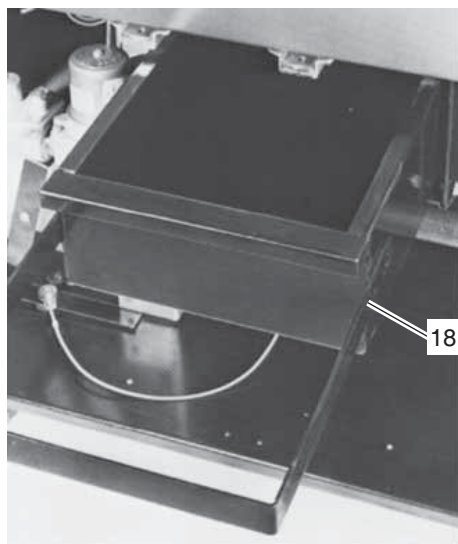
NOTE: Photo shows street El Manifold Construction.
 Proper construction uses (2) 3/4" x 1" reducing elbows [FP-079-97](#) with (2) nipples 3/4" x 1" [FP-085-01](#).

HEAVY DUTY GAS BROILER REPLACEMENT PARTS



PARTS - BLOWER MOTOR IR1 & IR2

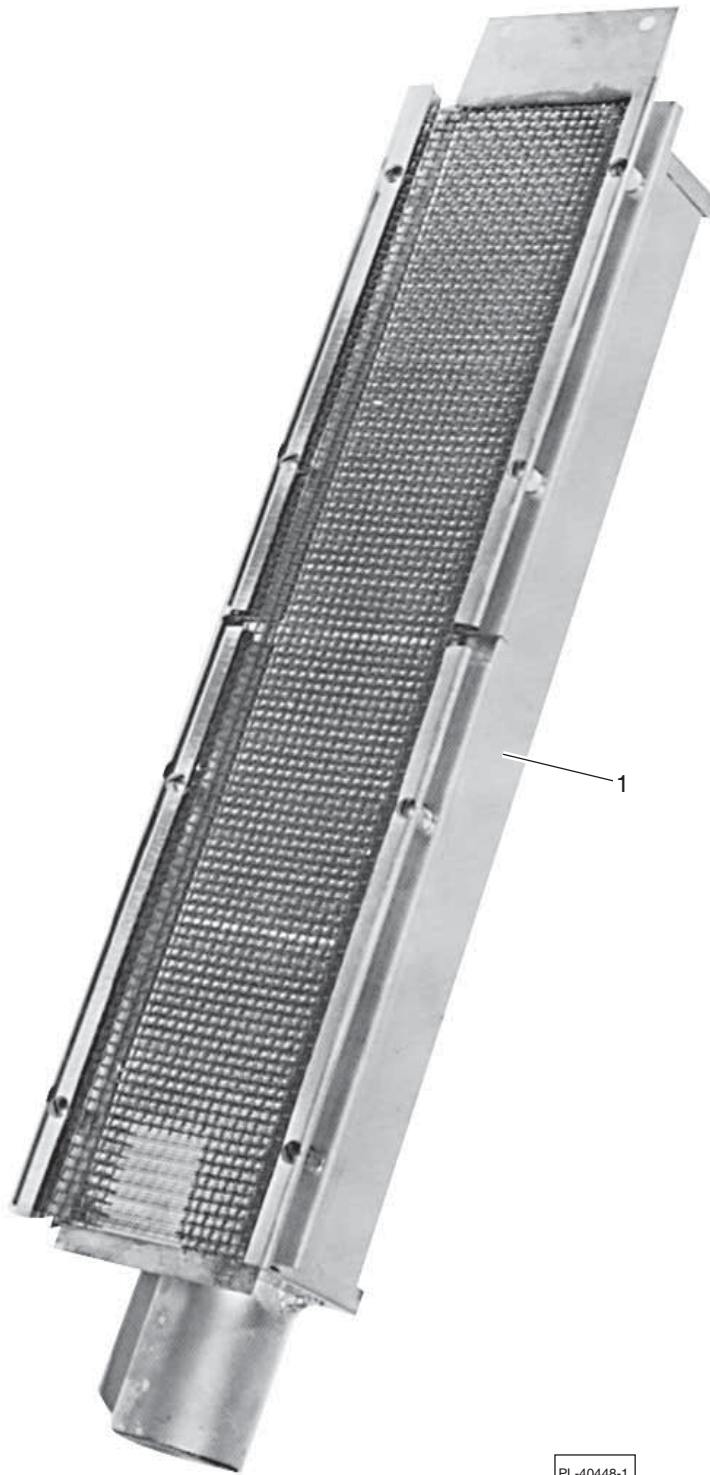
ILLUS.	PART NO.	DESCRIPTION	QTY.	
			IR1	IR2
PL-40446-1A				
1	00-413552-00004	Blower & Motor	1	1
2	00-428578-000G1	Solenoid	1	1
3	00-408279-00020	Regulator (NAT.)	1	1
4	00-408279-00021	Regulator (PROPANE OR BUTANE)	1	1
5	00-409033-000G2	Lock Panel	1	1
6	00-417812-00001	Toggle Switch	1	1
7	00-411496-000E4	Signal Light	1	1
8	FE-002-03	Tomic Connector $\frac{3}{8}$ "	4	4
9	00-409254-00001	Pressure Switch (Used on Units Prior to Aug. 2000)	1	1



PARTS - MANIFOLD CONTROLS GHIR44

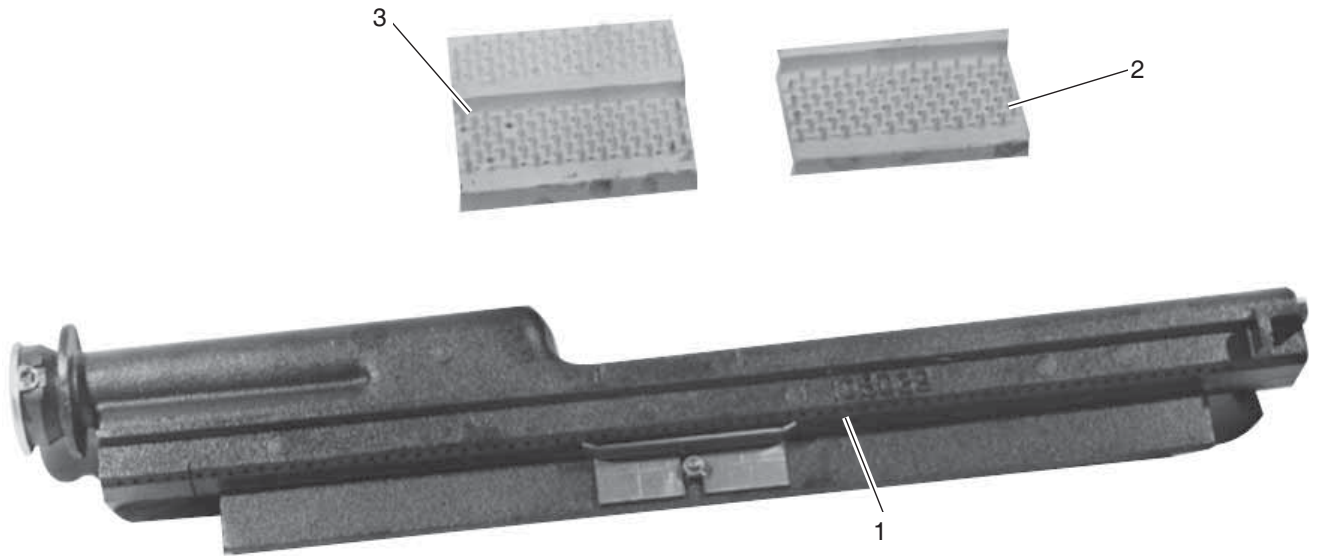
ILLUS.	PART NO.	DESCRIPTION	QTY.
PL-40447-1			
1	00-413552-00004	Blower & Motor	1
2	00-428578-000G1	Solenoid	1
3	00-408279-00022	Regulator (NAT.) 3/4"	1
4	00-408279-00021	Regulator (PROPANE) 3/4"	1
		[Select for Proper Gas]	
5	00-408279-00012	Regulator (NAT.) 1 1/4"	1
6	00-408279-00013	Regulator (PROPANE) 1 1/4"	1
7	FP-013-22	Elbow 3/4" 90 Degree	1
8	00-414755-00001	Pressure Switch (Used on Units Prior to Aug. 2000)	1
9	00-409696-000G1	Air Disc	1
10	00-413551-00001	Disc Support	1
11	FP-018-11	Street El 3/4"	1
12	FP-085-60	Union 3/4" Male - Female	2
13	00-413550-00001	Support Angles, Left	1
14	00-413550-00002	Support Angles Right	1
15	00-413556-00001	Bracket	1
16	FP-085-89	Riser Pipe 3/4" x 8 3/4"	1
17	FP-086-57	Pipe 3/4" x 13 3/16"	1
18	00-400994-000G1	Grease Pan	1
19	00-414757-00003	Air Duct Cover	1
20	FP-059-74	Drop Pipe 3/4" x 12 1/4"	1
	00-414867-00001	Air Tube	1
	FP-036-91	Nipple - Closed 3/4"	1
	00-414756-00001	Air Duct	1

HEAVY DUTY GAS BROILER REPLACEMENT PARTS



PARTS - BURNER ASSEMBLY IR1, IR2 & GHIR44

ILLUS.	PART NO.	DESCRIPTION	QTY.		
			IR1	IR2	GHIR44
1	00-414754-00003	Infrared Burner Assembly	4	8	4



PL-40449-1

PARTS - BURNER ASSEMBLY & CERAMICS HCB1 & HCB2

ILLUS. PL-40449-1	PART NO.	DESCRIPTION	QTY.	
			HCB1	HCB2
1	00-411551-000G1	Burner Assembly	4	8
2	00-404146-00001	Burner Ceramic - Sides	8	16
3	00-404145-00001	Burner Ceramic - Center	12	24
	00-408726-000G2	Ceramic Set (Contains 8 Sides and 12 Center Bricks)	1	2

HEAVY DUTY GAS BROILER REPLACEMENT PARTS

**RECOMMENDED SPARE PARTS
GHCB40 & GHCB40C CERAMIC BROILER**

PART NO.	DESCRIPTION	QTY.
BROILER SECTION		
00-010901-00043	Broiler Orifice (Nat. Gas)	2
00-010901-00053	Broiler Orifice (LP Gas)	2
00-408379-00003	ON/OFF Valve	2
00-405655-00004	Roller Bearing W/Shaft	8
00-411551-000G1	Burner Assy.	2
OVEN SECTION		
00-010901-00031	Oven Orifice (Nat. Gas)	1
00-010901-00049	Oven Orifice (LP Gas)	1
00-427083-00002	Oven Safety (Used Until August 31, 2004)	2
00-407522-00001	Oven Thermostat	2
00-413614-00001	Oven Thermostat Knob	2
00-412788-00002	Thermocouple (Used Until August 31, 2004)	2
00-407789-00001	Service Valve	1
00-402957-00002	Service Valve Knob	1
00-720719	Safety Valve (Used From September 2004 to Present)	2
00-412788-00004	Thermocouple (Used From September 2004 to Present)	2
00-412014-00001	Oven Spring	2
00-403956-00001	Bell Crank	2
00-405618-00001	Door Hook (Left)	2
00-405618-00002	Door Hook (Right)	2
CONVECTION OVENS		
00-419730-00001	Motor 120V	1
00-411496-000F1	Micro Switch Door	2
00-418557	Door Gasket	2
00-411496-000B4	ON/OFF Switch	2
00-411496-000E4	ON Light	2
00-426262-00001	Pilot Assy. (Nat. Gas)	2
00-426262-00002	Pilot Assy. (LP Gas)	2
00-413976-00001	Thermostat Knob	2
00-411506-00003	Convection Oven Knob	2

**RECOMMENDED SPARE PARTS
IR1, IR2 & GHIR44**

PART NO.	DESCRIPTION	QTY.
00-407727-00005	ON/OFF Burner Knob (IR1 & IR2)	2
00-407727-00004	Hi/Med/Low Burner Knob (GHIR44)	2
00-405016-00001	Electric Supply Cord	1
00-413552-00004	Blower Motor	1
00-428578-000G1	Solenoid Valve	1
00-408485-00079	Pilot Orifice (Nat. Gas)	2
00-408485-00010	Pilot Orifice (LP Gas)	2
00-411496-000E4	Signal Light	1
00-404738-00003	Pilot Adj. Valve	1
00-410610-00008	Hi/Low Valve (Nat. Gas) (IR1 & IR2)	1
00-410610-00009	Hi/Low Valve (LP Gas) (IR1 & IR2)	1
00-408119-0001N	Hi/Med/Low Valve (Nat. Gas) (GHIR44)	1
00-408119-0001L	Hi/Med/Low Valve (LP Gas) (GHIR44)	1
00-417812-00001	Toggle Switch	1
00-414754-00003	Infrared Burner Assy.	1