

# **VULCAN**

## *CATALOG OF REPLACEMENT PARTS*

### *GL SERIES KETTLES*



**For additional information on Vulcan Company or to locate an authorized parts and service provider in your area, visit our website at [www.vulcanequipment.com](http://www.vulcanequipment.com)**

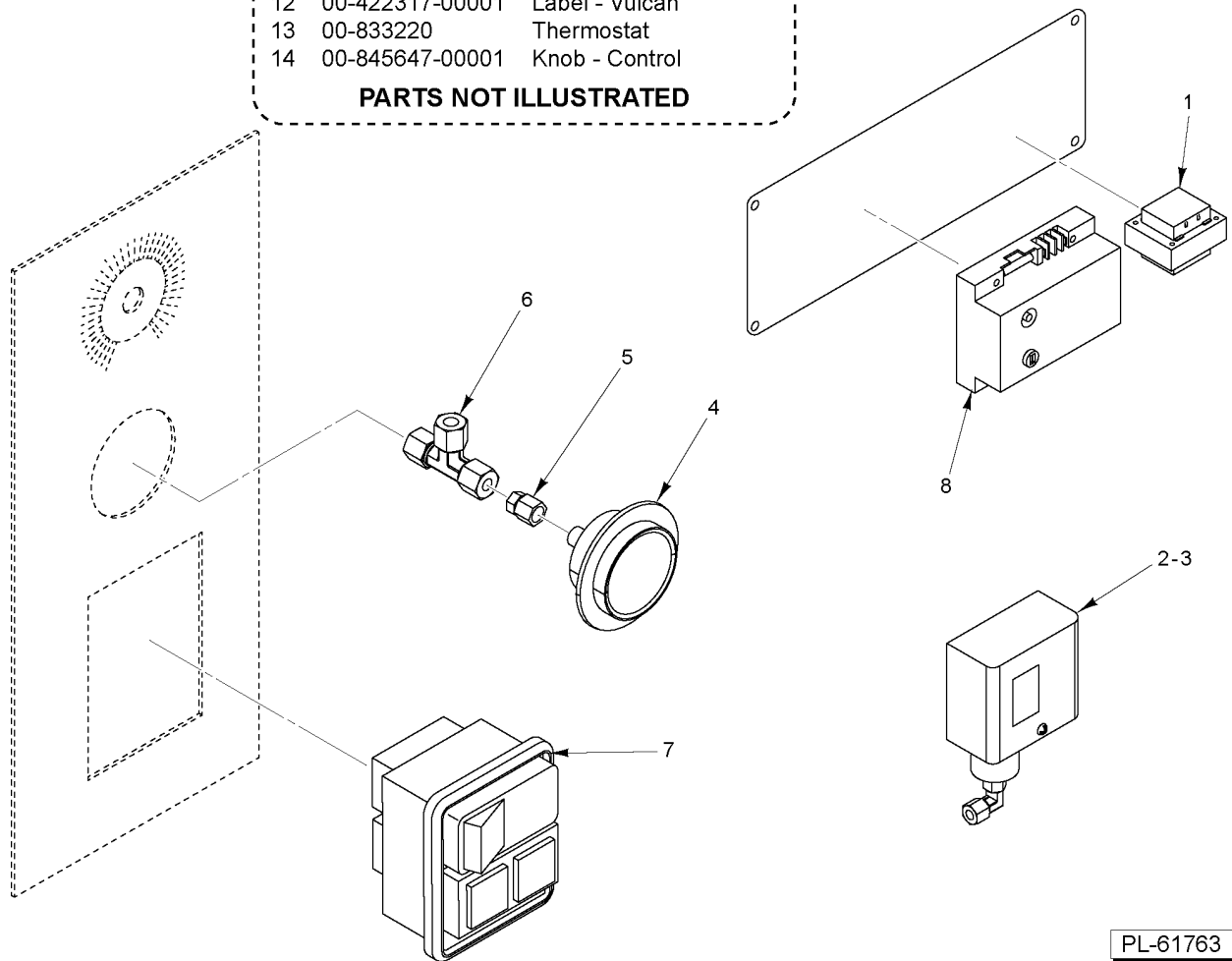


**Table of Contents**

5	CONTROL BOX
7	BURNER CHAMBER
9	LOW WATER CUTOFF
11	FILL ASSEMBLY
13	PRESSURE RELIEF VALVE
15	PLUG VALVE (2 INCH)
17	FLUE
19	LID AND HANDLE ASSEMBLY

- |    |                 |                        |
|----|-----------------|------------------------|
| 9  | 00-438131-00021 | Label - Warning        |
| 10 | 00-857426-00001 | Label - Cleaning       |
| 11 | 00-908805       | Label - Ground Warning |
| 12 | 00-422317-00001 | Label - Vulcan         |
| 13 | 00-833220       | Thermostat             |
| 14 | 00-845647-00001 | Knob - Control         |

**PARTS NOT ILLUSTRATED**

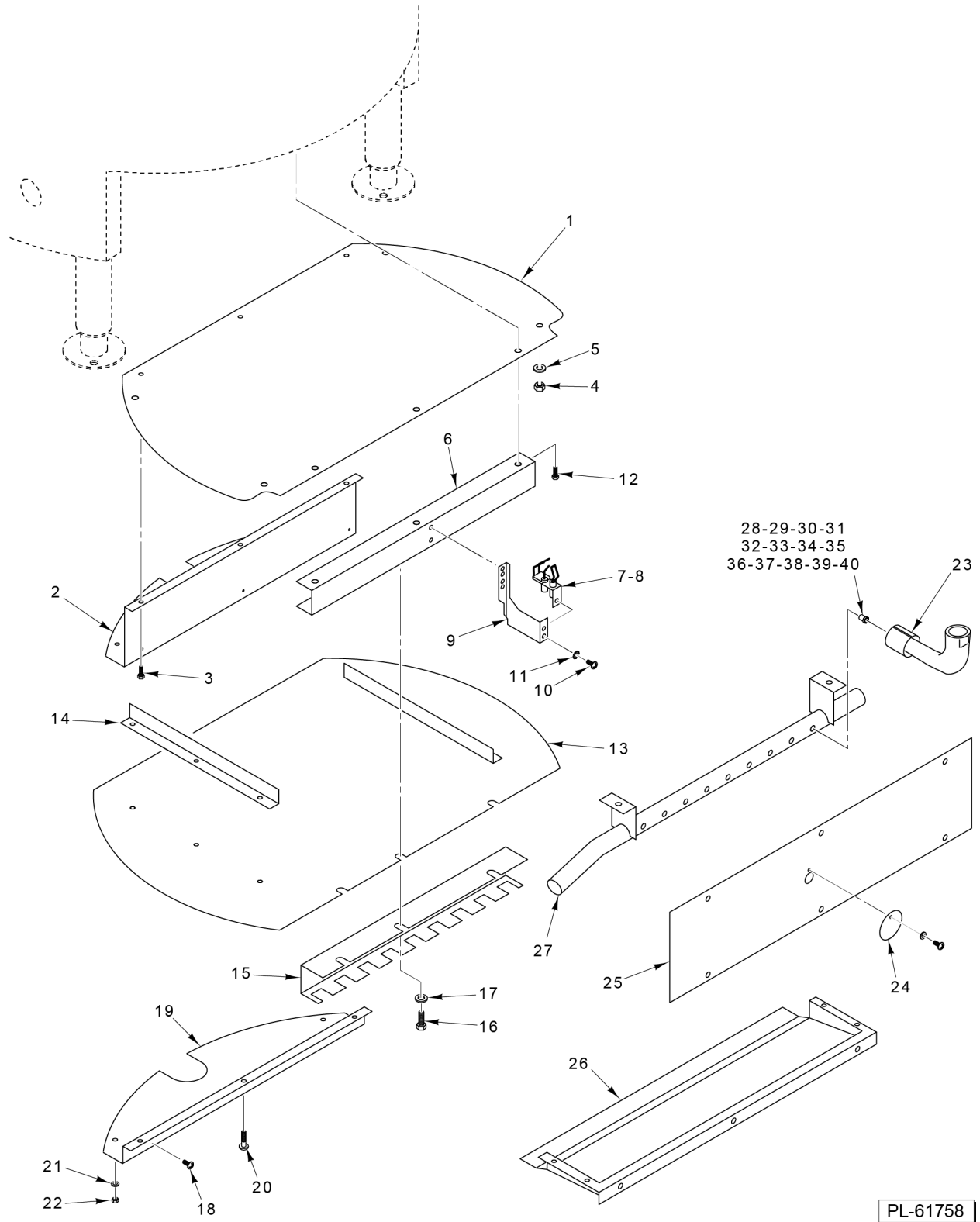


PL-61763

**CONTROL BOX**

**CONTROL BOX**

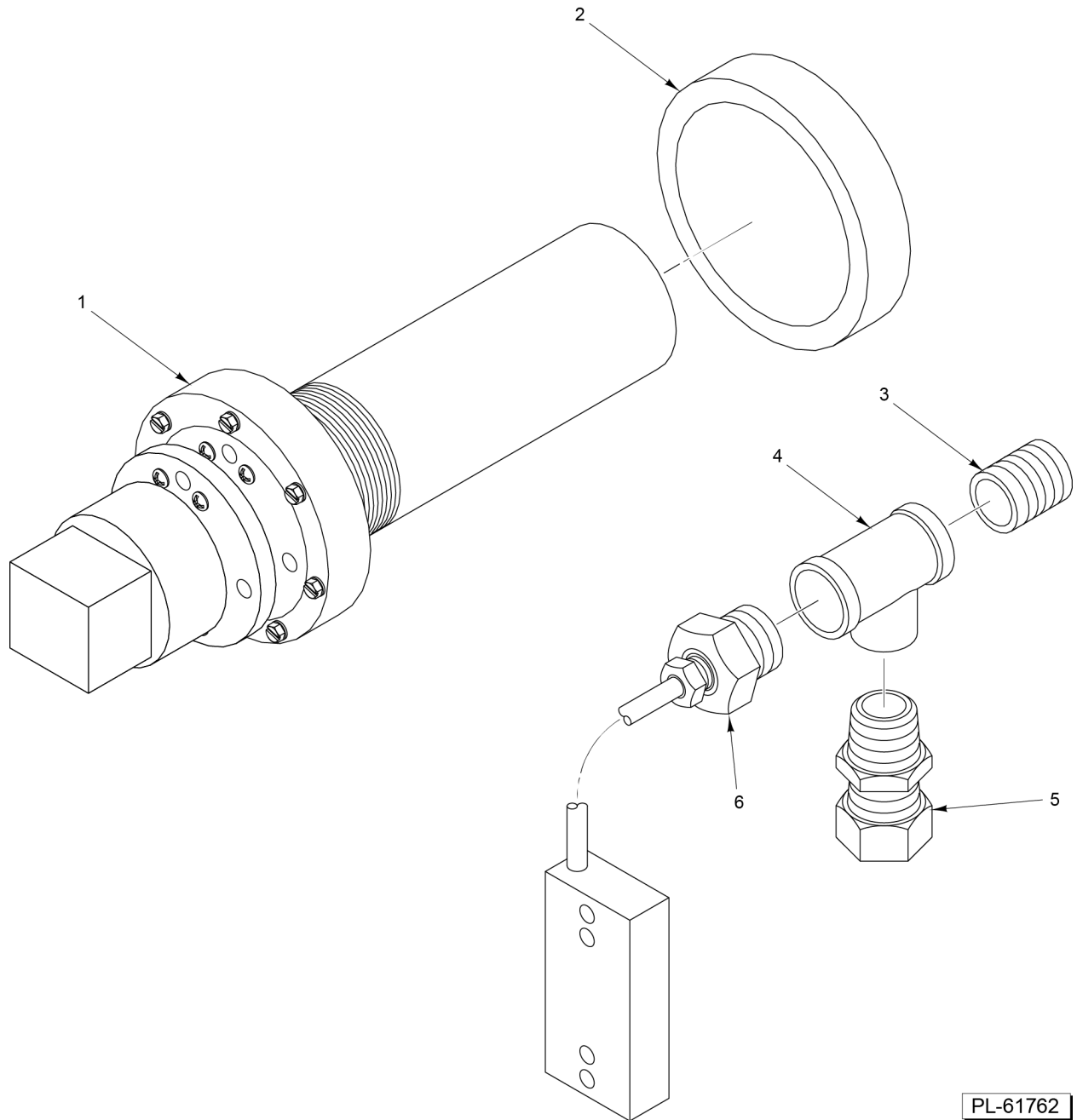
ILLUS.	PART NO.	NAME OF PART	AMT.
PL-61763			
1	00-411500-00012	Transformer (120 VAC, 24 V., 40 VA).....	1
2	00-833488	Switch - Pressure Limit.....	1
3	00-854468-00001	Bracket.....	1
4	00-833152	Gauge - Pressure.....	1
5	FP-081-74	Tee 1/4 Tube.....	1
6	FP-012-10	Fitting - Tube 1/4 (Brass).....	1
7	00-855002-00001	Power Switch W/Indicator Light (Oct., 2003 to Present) Switch Assy.....	1
8	00-858480-00001	Module - Ignition.....	1
9	00-438131-00021	Label - Warning.....	1
10	00-857426-00001	Label - Cleaning.....	1
11	00-908805	Label - Ground Warning.....	1
12	00-422317-00001	Label - Vulcan.....	1
13	00-833220	Thermostat (Electric Control).....	1
14	00-854647-00001	Knob - Control.....	1



**BURNER CHAMBER**

**BURNER CHAMBER**

ILLUS.	PART NO.	NAME OF PART	AMT.
PL-61758			
1	00-832907	Chamber.....	1
2	00-832912	Baffle - Flue.....	1
3	SC-036-14	Cap Screw 1/4-20 x 1/2 Hex Hd.....	3
4	NS-013-22	Nut 3/8-16 Hex.....	6
5	WS-017-06	Washer (SST).....	5
6	00-832914	Support - Burner.....	1
7	00-856615-00001	Pilot - Burner (Electronic Ignition) (NAT).....	1
8	00-856615-00002	Pilot - Burner (Electronic Ignition) (LP).....	1
9	00-842998	Bracket - Pilot.....	1
10	SC-110-87	Mach. Screw #10-32 x 1/4 Phil. Pan Hd.....	2
11	WL-010-06	Lockwasher #10 External Shakeproof.....	2
12	SC-036-14	Cap Screw 1/4-20 x 1/2 Hex Hd.....	5
13	00-832913	Bottom.....	1
14	00-832889	Angle.....	2
15	00-834020	Support - Burner.....	1
16	SC-036-14	Cap Screw 1/4-20 x 1/2 Hex Hd.....	9
17	WS-017-06	Washer (SST).....	9
18	SD-008-18	Self-Tapping Screw 8-18 x 3/8 Phil. Bndg. Hd., Type B.....	3
19	00-832911	Cover - Flue Baffle.....	1
20	SD-008-18	Self-Tapping Screw 8-18 x 3/8 Phil. Bndg. Hd., Type B.....	3
21	WS-017-06	Washer (SST).....	2
22	NS-046-38	Nut 1/4-20 Hex (SST).....	2
23	00-833076-00001	Main Burner Assy. (LP and Nat. Gas).....	9
24	00-832895	Inspection Hole Cover.....	1
25	00-833029-00005	Shield.....	1
26	00-834028-00001	Shield - Bottom.....	1
27	00-832941	Manifold - Gas.....	1
28	00-800665-00025	Orifice #49 (NAT) (0-2000 Ft.).....	9
29	00-800665-00015	Orifice #50 (NAT) (2001-4499 Ft.).....	9
30	00-800665-00026	Orifice #51 (NAT) (4500-7499 Ft.).....	9
31	00-800665-00036	Orifice #52 (NAT) (7500 - 9499 Ft.).....	9
32	00-800665-00027	Orifice #53 (NAT) (9500 - 10500 Ft.).....	9
33	00-800665-00012	Orifice #57 (LP) (0-2000 Ft.).....	9
34	00-800665-00014	Orifice #58 (LP) (2001 - 2499 Ft.).....	9
35	00-800665-00029	Orifice #59 (LP) (2500 - 4499 Ft.).....	9
36	00-800665-00040	Orifice #60 (LP) (4500 - 5499 Ft.).....	9
37	00-800665-00041	Orifice #61 (LP) (5500 - 7499 Ft.).....	9
38	00-800665-00042	Orifice #62 (LP) (7500 - 8499 Ft.).....	9
39	00-800665-00043	Orifice #63 (LP) (8500 - 9499 Ft.).....	9
40	00-800665-00044	Orifice #64 (LP) (9500 - 10500 Ft.).....	9

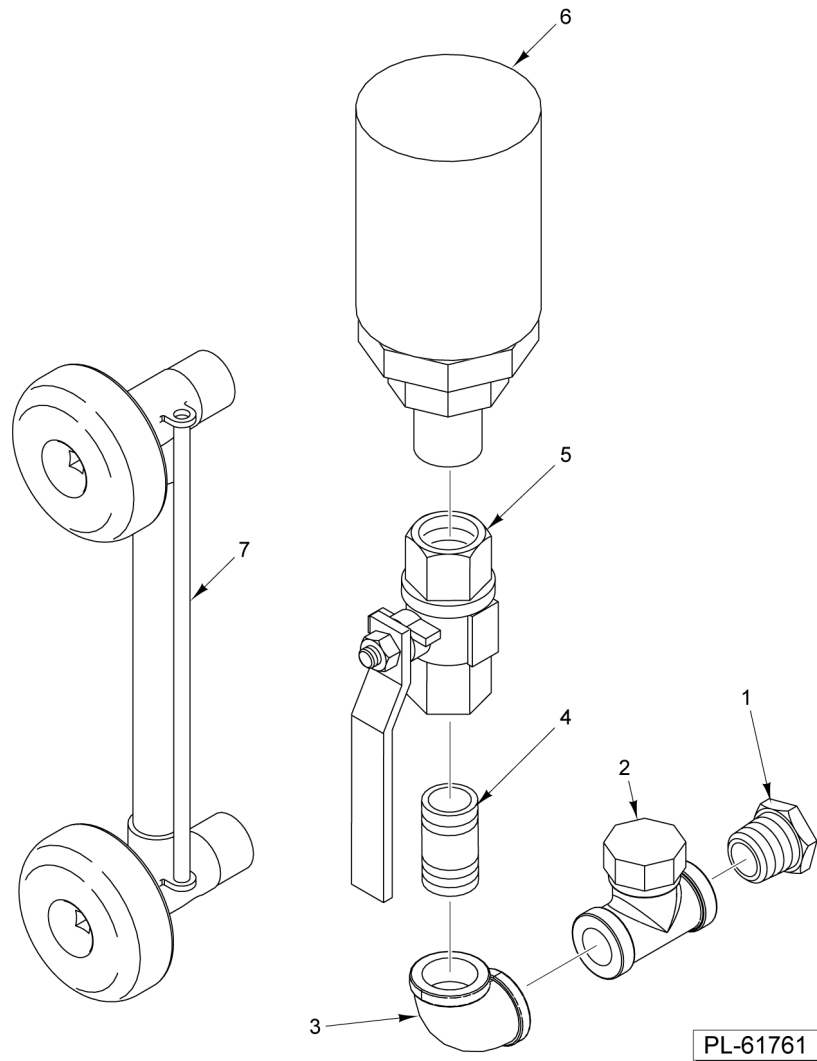


PL-61762

**LOW WATER CUTOFF**

**LOW WATER CUTOFF**

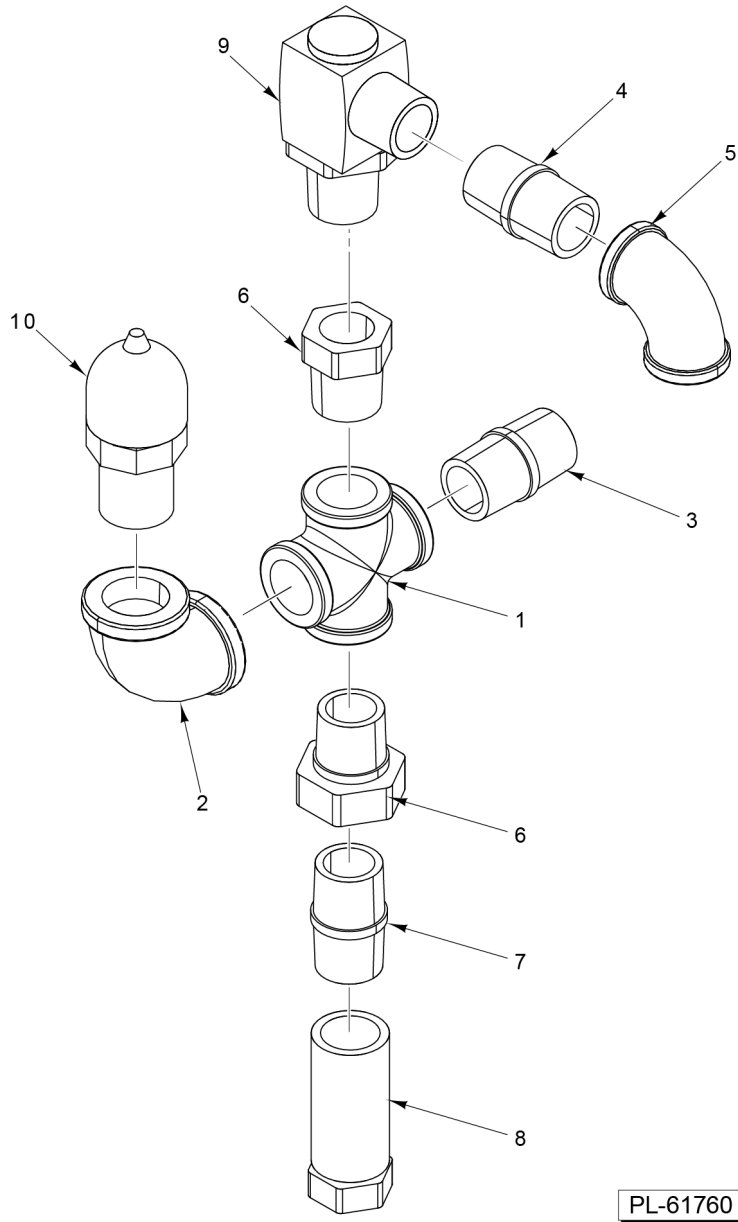
ILLUS.	PART NO.	NAME OF PART	AMT.
PL-61762			
1	00-880030	Low Water Cut-off (Complete).....	1
2	00-841826	Insulation.....	1
3	FP-035-46	Pipe 3/8 x 1 Lg. TBE.....	1
4	FP-077-99	Tee 3/8 x 3/8 x 1/4.....	1
5	FP-047-23	Connector - Male 1/4 Tube to 1/4 Pipe.....	1
6	00-833220	Thermostat (Electric Control).....	1



**FILL ASSEMBLY**

**FILL ASSEMBLY**

ILLUS.	PART NO.	NAME OF PART	AMT.
PL-61761			
1	FP-040-42	Pipe 1/2 x 1-1/8 TBE (Brass).....	1
2	00-833648-00002	Valve - Swing Check 1/2" (Brass).....	1
3	FP-015-17	Elbow - Pipe 1/2 x 90 Deg. (Brass).....	1
4	FP-054-08	Pipe 1/2 x 1-1/8 TBE (SST).....	1
5	00-858008-00001	Valve - Ball 1/2 In.....	1
6	00-858635-00001	Fill Tube Assy.....	1
7	00-833493	Gauge Glass Assy. (Complete).....	1



PL-61760

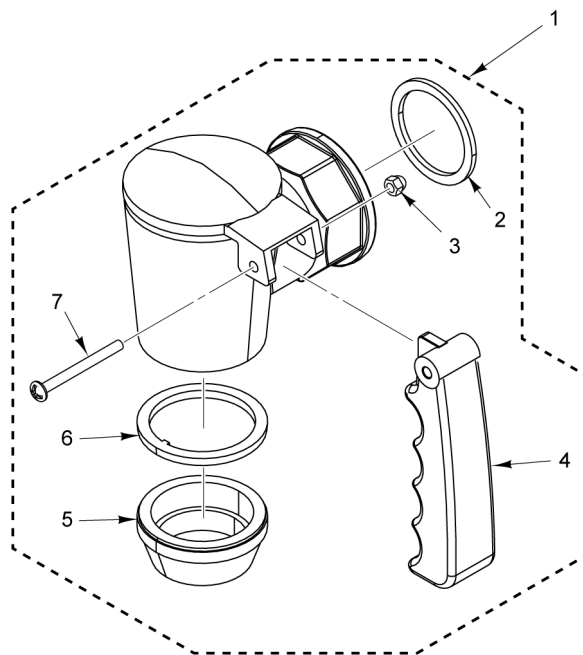
**PRESSURE RELIEF VALVE**

**PRESSURE RELIEF VALVE**

ILLUS.	PART NO.	NAME OF PART	AMT.
PL-61760			
1	FP-083-92	Cross 3/4".....	1
2	FP-015-24	Elbow - Pipe 3/4 x 90 Deg. (Brass).....	1
3	FP-041-50	Pipe 3/4 x 1-3/8 TBE (Brass).....	1
4	FP-040-42	Pipe 1/2 x 1-1/8 TBE (Brass).....	1
5	FP-015-16	Elbow - Pipe 1/2 x 90 Deg. (Brass).....	1
6	FP-027-22	Bushing - Pipe 3/4 to 1/2 (Brass).....	2
7	FP-054-08	Pipe 1/2 x 1-1/8 TBE (SST).....	1
8	00-833238	Vacuum Breaking Check Valve, 1/2".....	1
9	00-841496-00001	Pressure Relief Valve 1/2" (15#).....	1
10	00-833239	Air Vent 3/4".....	1

- |   |                 |                         |
|---|-----------------|-------------------------|
| 8 | 00-856569-00002 | Plate - Valve Mount     |
| 9 | 00-855830-00001 | Gasket - Draw-Off Valve |

**PARTS NOT ILLUSTRATED**

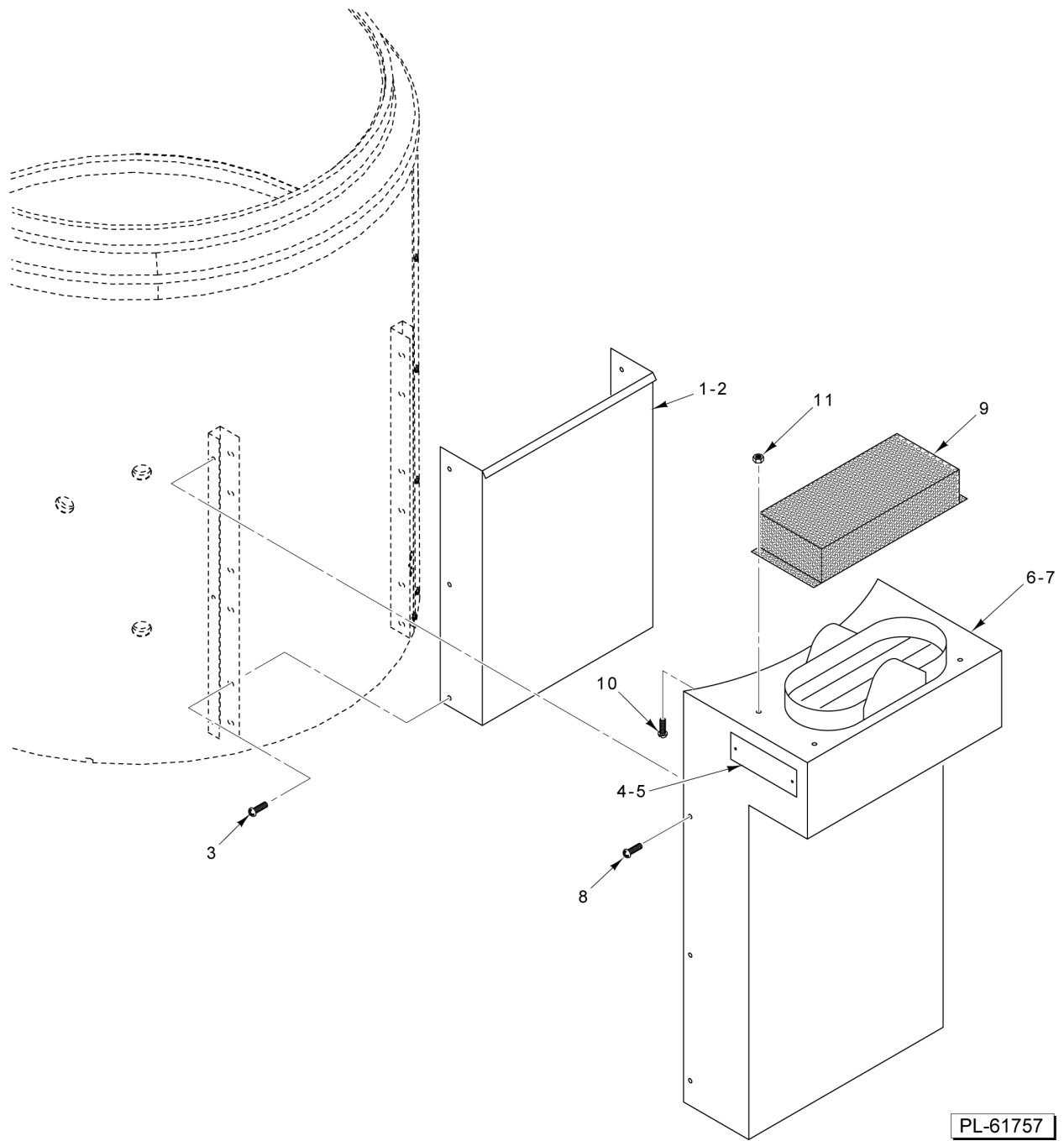


PL-61764

**PLUG VALVE  
(2 INCH)**

**PLUG VALVE  
(2 INCH)**

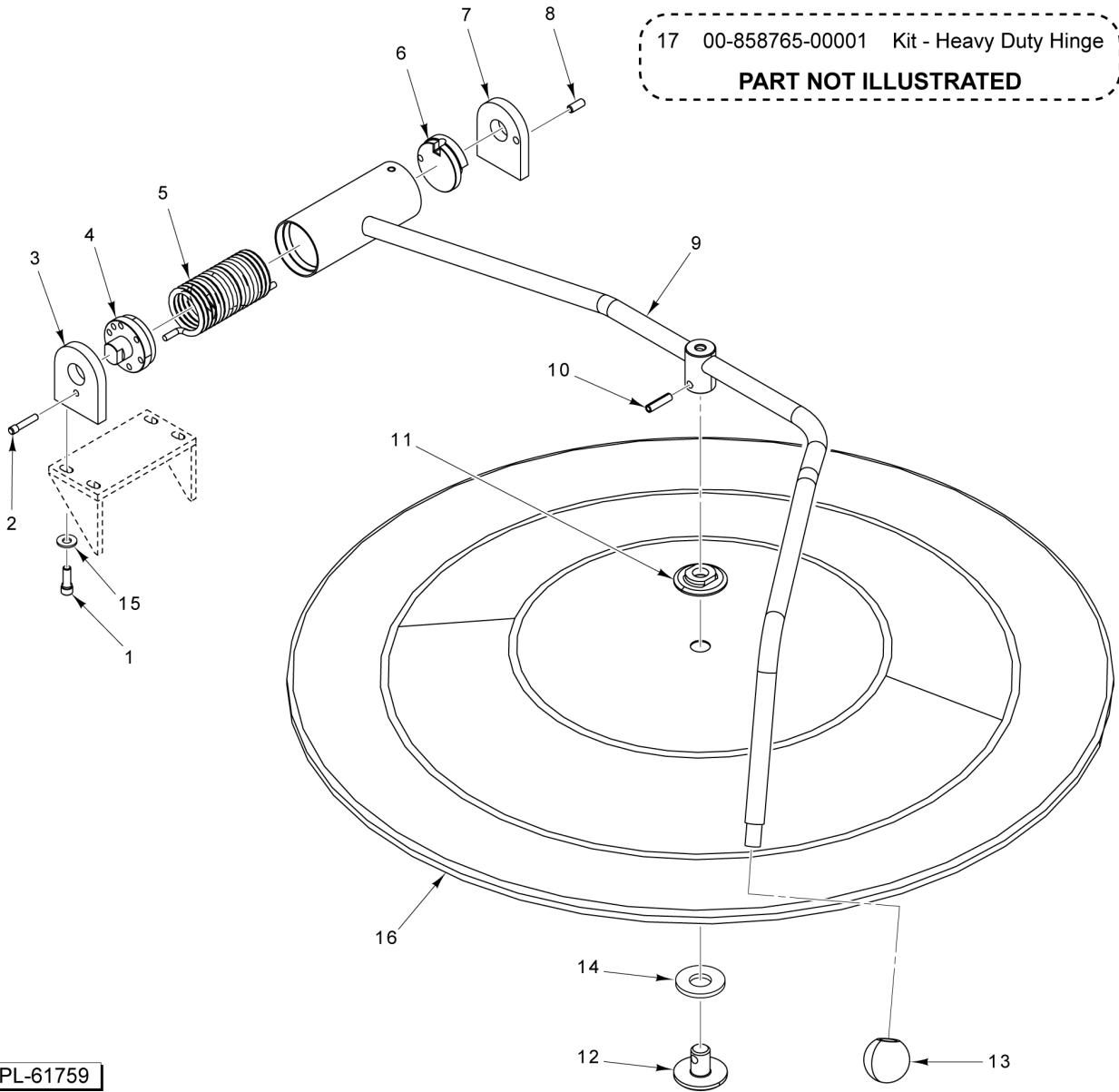
ILLUS.	PART NO.	NAME OF PART	AMT.
PL-61764			
1	00-858268-00001	Draw-Off Valve Assy. 2 In.....	1
2	00-858268-00009	Gasket.....	1
3	00-858268-00010	Nut, M6 (SST).....	1
4	00-858268-00006	Handle.....	1
5	00-858268-00003	Nut, Valve Plug.....	1
6	00-858268-00004	Washer.....	1
7	00-858268-00007	Screw M6 x 50.....	1
8	00-856569-00002	Plate - Valve Mount.....	1
9	00-855830-00001	Gasket - Draw-Off Valve.....	1



**FLUE**

## FLUE

ILLUS. PL-61757	PART NO.	NAME OF PART	AMT.
1	00-834037-00013	Duct - Flue (29 In.).....	1
2	00-834037-00015	Duct - Flue (36 In.).....	1
3	SD-008-18	Self-Tapping Screw 8-18 x 3/8 Phil. Bndg. Hd., Type B.....	6
4	00-836812	Plate - Warning.....	1
5	RS-030-09	Rivet.....	2
6	00-834042-00003	Shell - Outer Assy.....	1
7	00-834042-00005	Shell - Outer Assy.....	1
8	SC-053-05	Mach. Screw 10-24 x 3/8 Slotted Truss Hd. (SST).....	6
9	00-358610	Cover - Flue.....	1
10	SC-121-34	Mach. Screw 10-24 x 1/2 (pin-in-hex) Button Hd.....	4
11	NS-011-18	Nut 10-24 Hex (SST).....	4



PL-61759

### LID AND HANDLE ASSEMBLY

## LID AND HANDLE ASSEMBLY

ILLUS.	PART NO.	NAME OF PART	AMT.
PL-61759			
1	SC-110-98	Cap Screw 1/4-20 x 3/4 Hex Socket Hd. (SST).....	4
2	00-853284-00001	Pin - Lock.....	1
3	00-857777-00001	Plate - Hinge (LH).....	1
4	00-853292-00001	Disc - Tension Adjustment.....	1
5	00-853289-00001	Spring - Torsion.....	1
6	00-853293-00001	Disc - Rotary Stop.....	1
7	00-857779-00001	Plate - Hinge (Incls. Item 8).....	1
8	00-855221-00001	Pin - Stop.....	1
9	00-853279-00001	Cover Handle (36") (Spring Assist Cover).....	1
10	RP-004-31	Roll Pin 1/4 x 1.....	1
11	00-853568-00001	Nut - Kettle Cover.....	1
12	00-853567-00001	Rocker - Kettle Cover.....	1
13	00-853285-00001	Knob - Press On.....	1
14	OR-001-07	"O" Ring (Per Standard 016).....	1
15	WL-006-17	Lockwasher 1/4 Helical (SST).....	1
16	00-853281-00001	Cover w/ Condesate Ring.....	1
17	00-858765-00001	Kit - Heavy Duty Hinge.....	AR

