

Frymate (Dump Station)

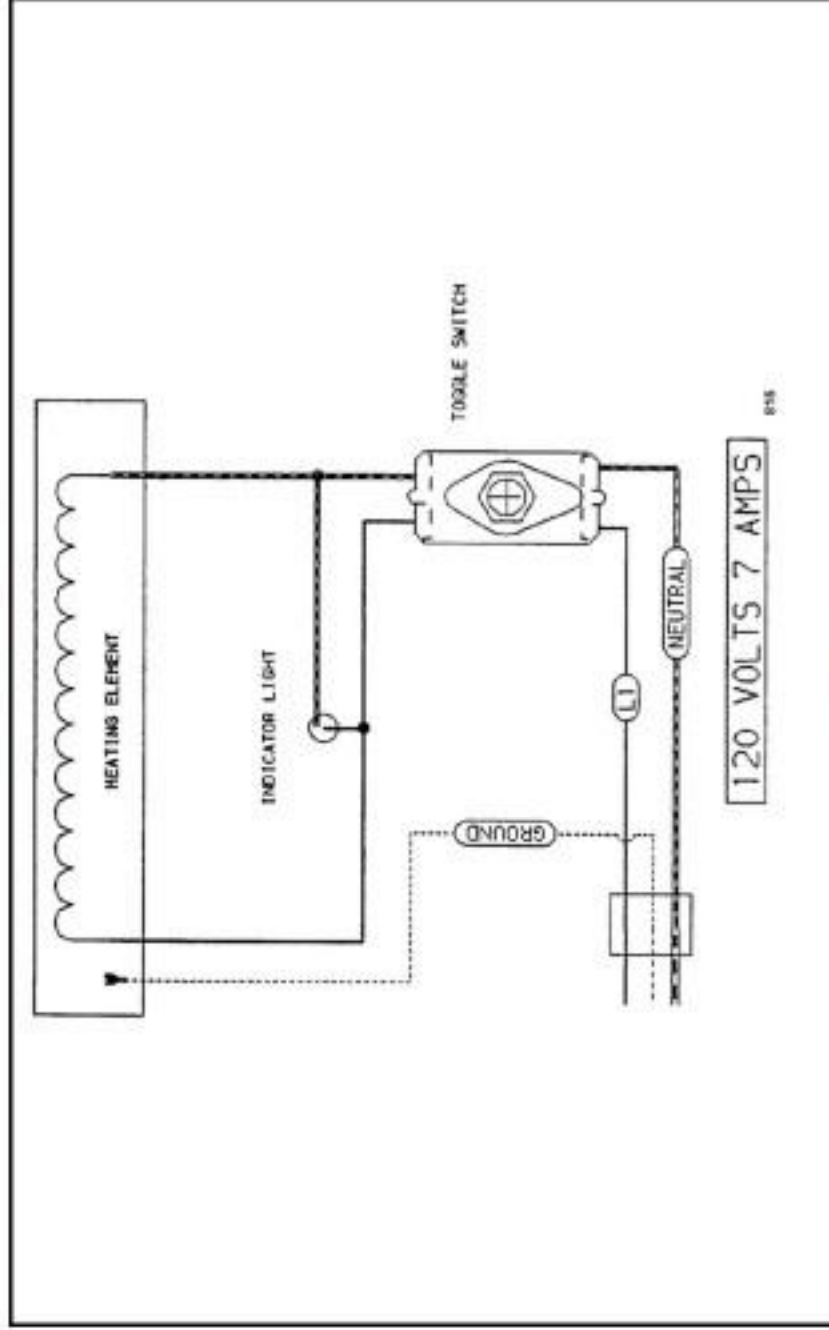
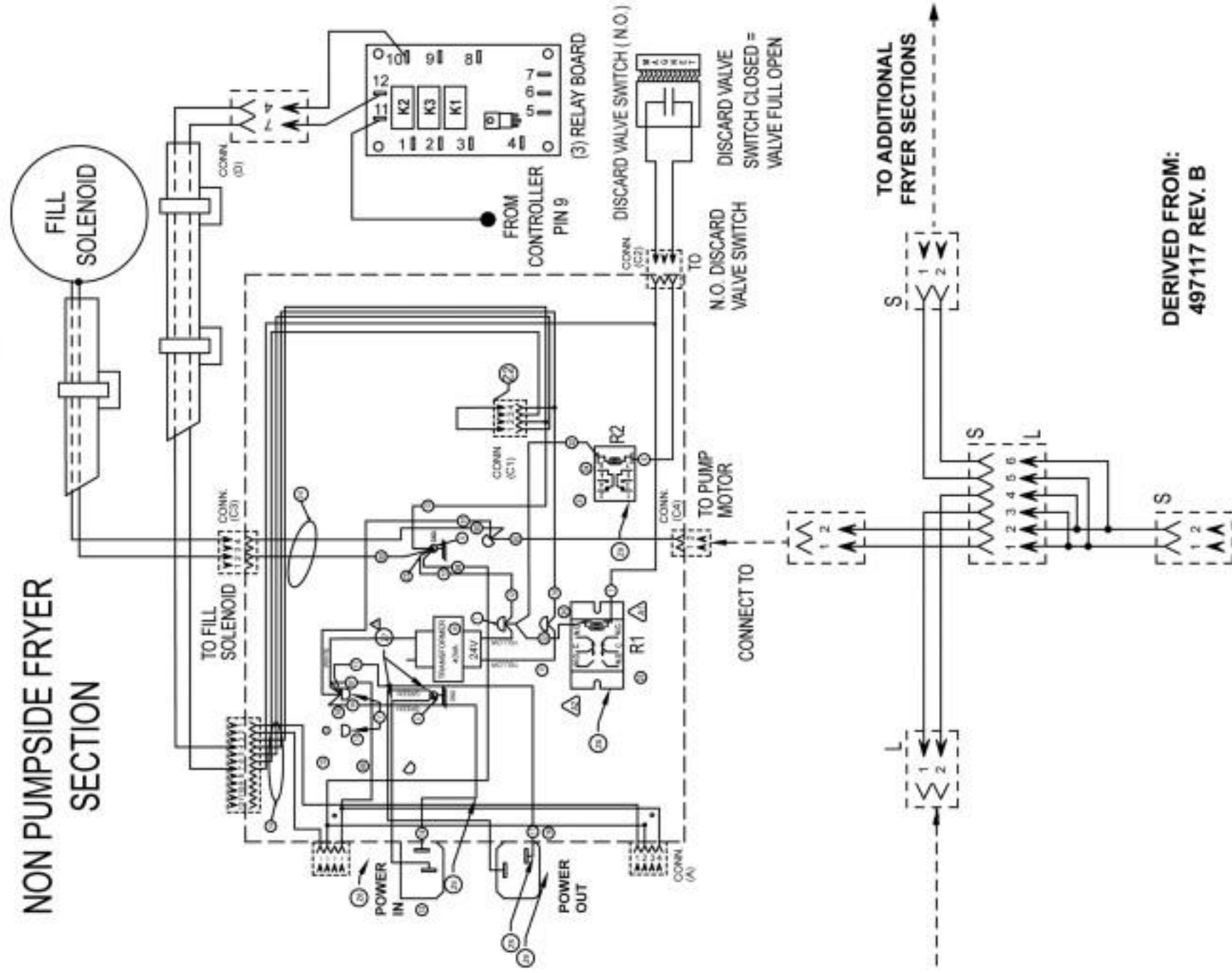


Fig. 68

Filtering System Fryers (cont'd)

NON PUMPSIDE FRYER SECTION



DERIVED FROM:
497117 REV. B

PAGE 2 OF 2
(SEE AI1711)

FILTERING SYSTEM FRYERS,
WITH SOLENOID FILL VALVE
2 BATTERY SHOWN AI1712

Fig. 67

Filtering System Fryers

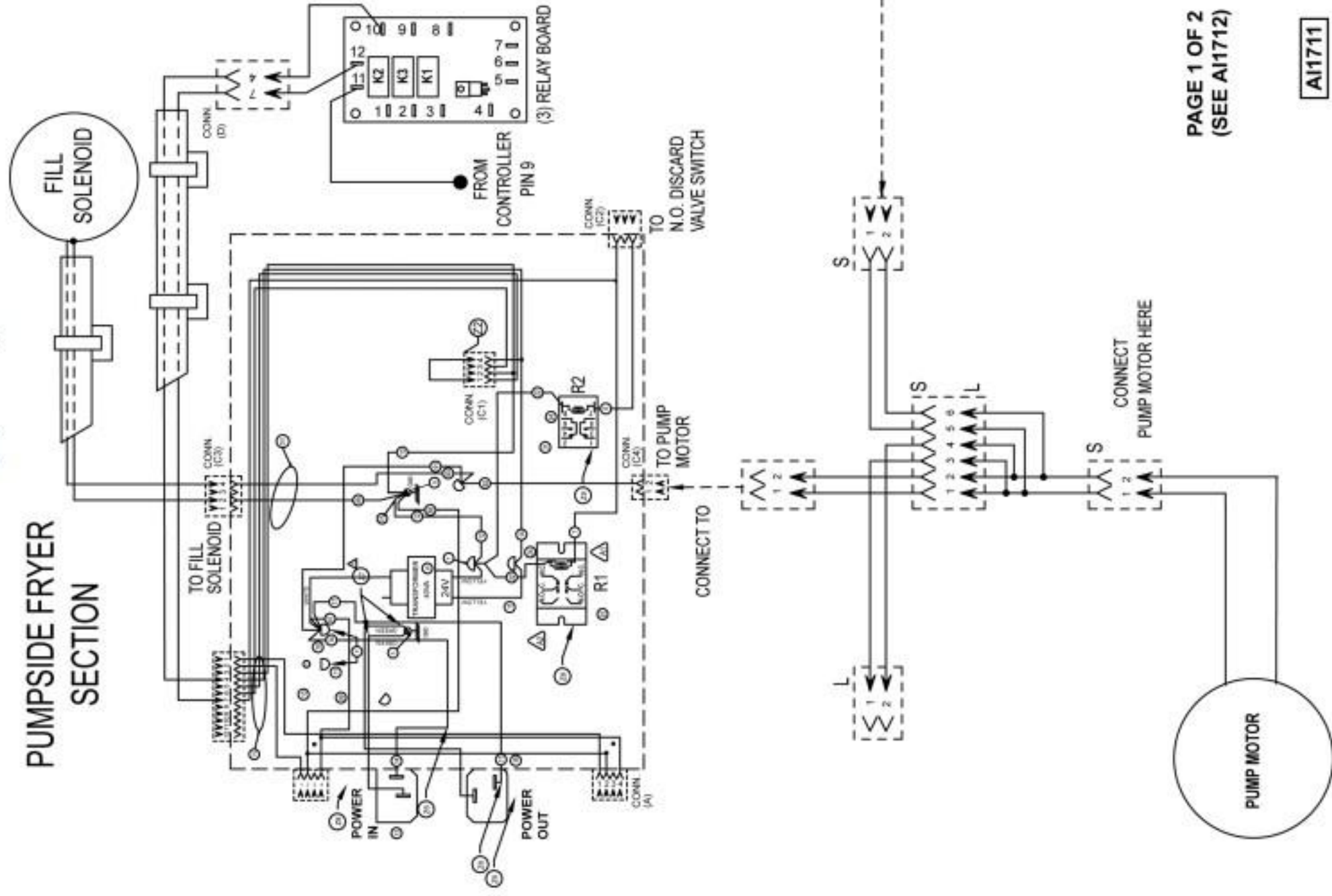
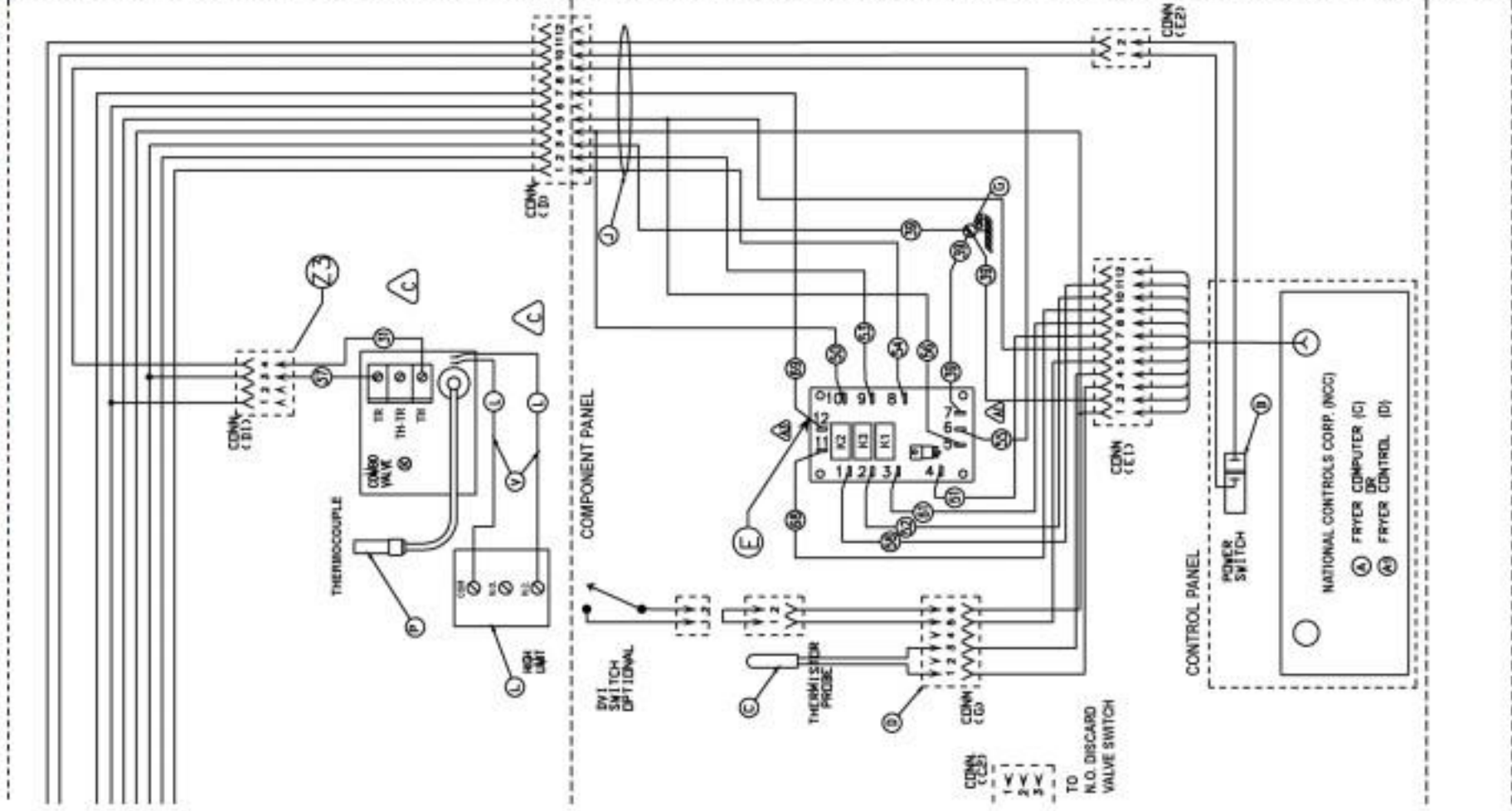


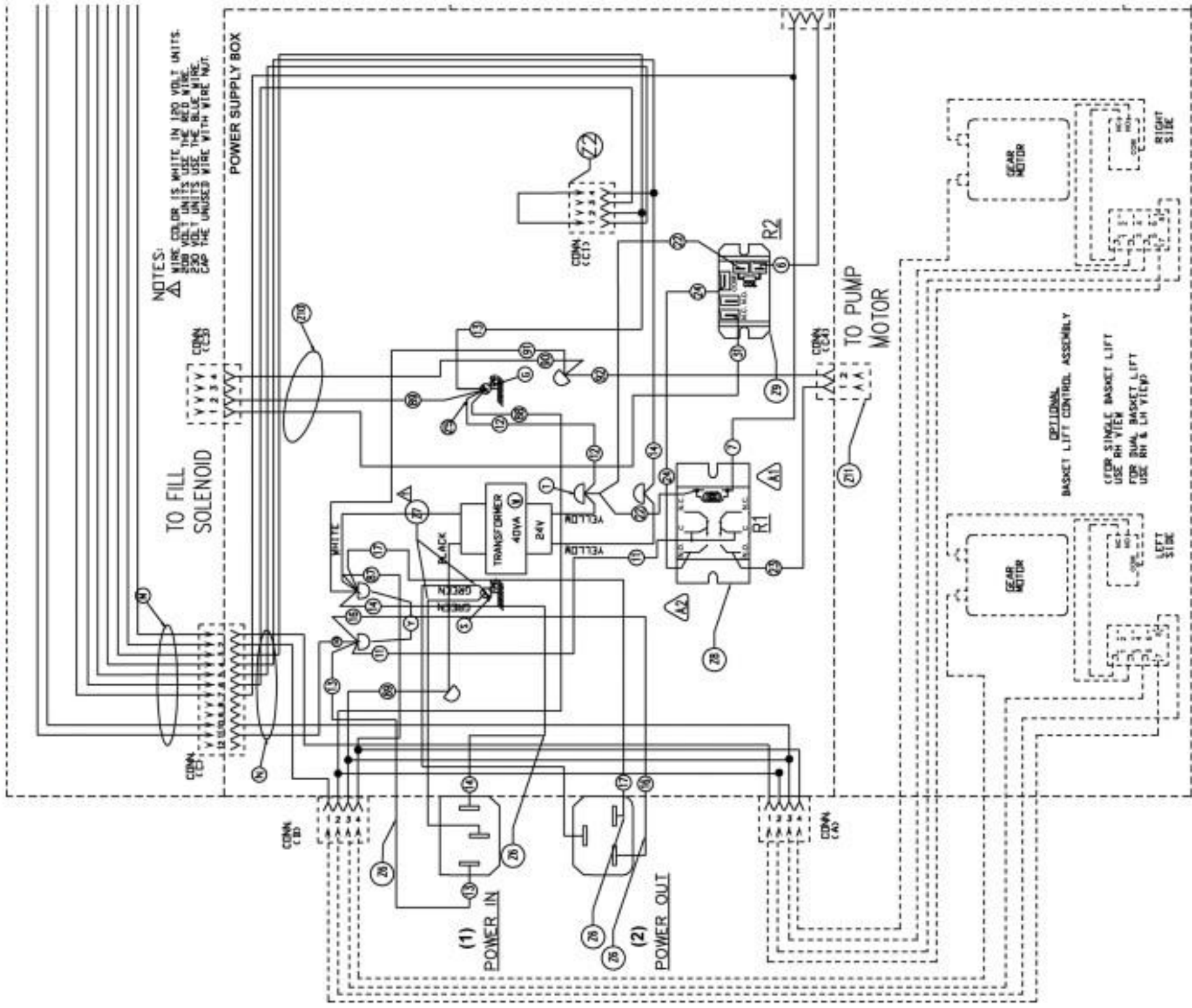
Fig. 66

Manual Ignition, Solid State or Computer Control (cont'd)



1	1	Z11	HARN. MOTOR CONNECT	-
1	1	Z10	HARN. SOLENOID CONNECT	-
1	1	Z9	RELAY SPST 24 VAC COIL	-
1	1	Z8	RELAY 24 VAC COIL CONF. RATING 1HP 120 VOLT	-
2	2	Z7	WIRE ASSEMBLY (GREEN)	-
4	4	Z6	WIRE ASSEMBLY [13,14,16,17]	-
1	1	Z5	WIRE ASSEMBLY [12]	-
1	1	Z3	MANFOLD HARN.	-
1	1	Z2	HARN.-IGNITION MODULE	-
1	1	Z1	OPTIONAL FILTER SUPPLY CORD	-
2	2	Y	WIRE NUT YELLOW	-
1	1	W	24V 40VA TRANSFORMER 120 VOLT 240 VOLT	-
1	2	V	LIMIT WIRES	-
3	3	T	WIRE NUT	-
1	1	S	GROUND LUG	-
1	1	P	THERMOCOUPLE	-
1	1	N	POWER HARN.	-
1	1	M	MAIN HARN.	-
1	1	L	HI-LIMIT	-
1	1	K	COMBO VALVE W/R. NAT LP	-
1	1	J	INTERFACE HARN.	-
1	2	G	TERMINAL, STATIONARY	-
1	1	E	CONTROL INTERFACE, TRIDELTA	-
1	1	D	D.V.L. HARN. ASSEMBLY	-
1	1	C	THERMISTOR	-
1	1	B	ROCKER SWITCH ASSEMBLY	-
1	-	A1	NCC CONTROLLER W/TIMER(S) W/FILTER WO/FILTER	-
-	1	A	NCC COMPUTER W/FILTER WO/FILTER	-
req.	req.	n.	approp. size	req.
WIRING INFORMATION				
FOR UNITS LISTED				
WIRING DIAGRAM W. & WO/SOLENOID, FILL				
OCS FRYERS, WO/E.L., W. & WO/LFTS				
DERIVED FROM: NONE				
FROM: D428863-2				
REV. D				

Manual Ignition, Solid State or Computer Control

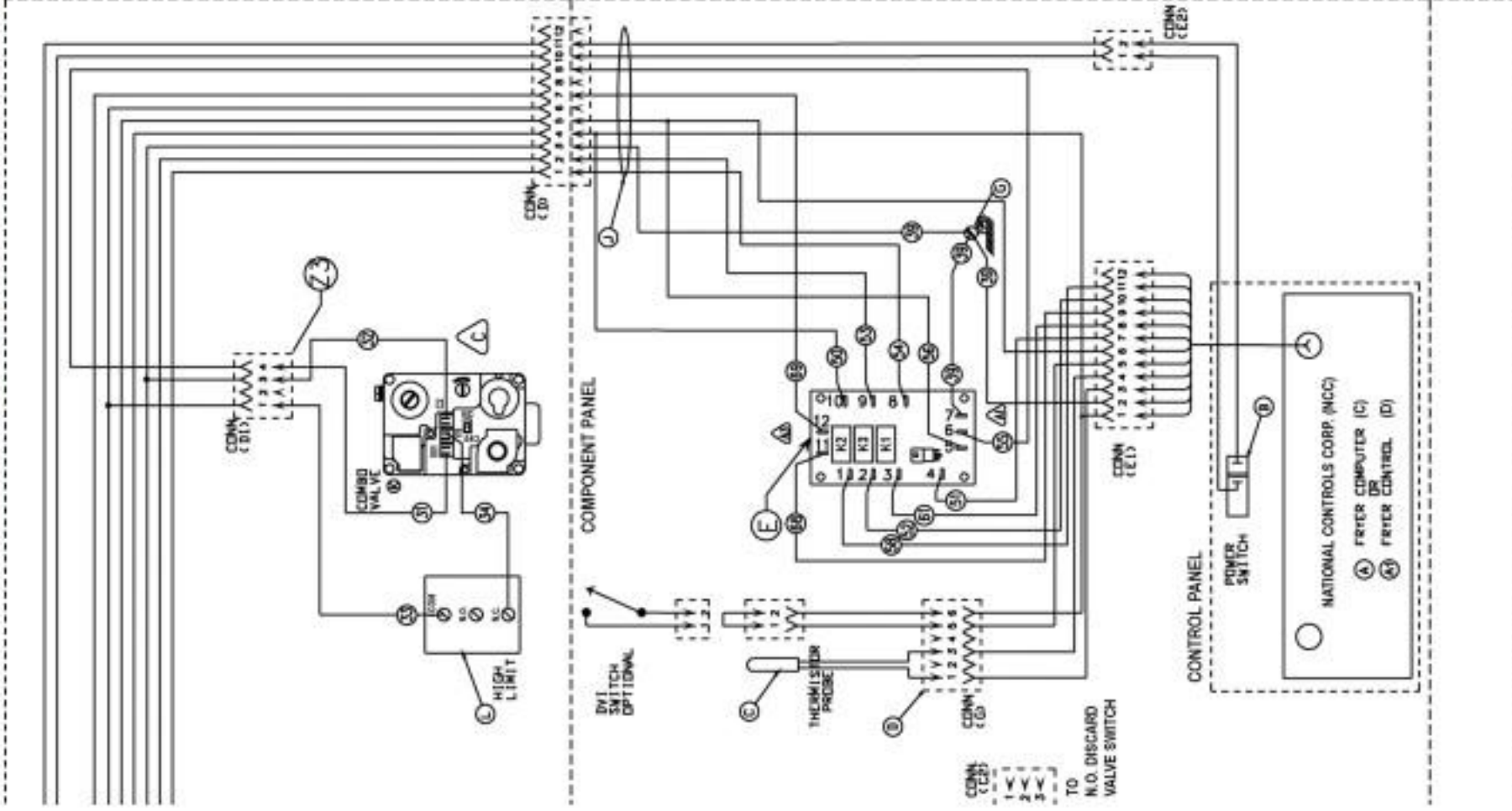


(1) FRYER POWER SUPPLY CORD CONNECTED TO THE BUILDINGS POWER SOURCE OR A JUMPER CORD IF POWER CONNECTION IS FROM OTHER FRYER SECTIONS.

(2) JUMPER CORD POWER TO THE OTHER FRYER SECTIONS.

Fig. 64

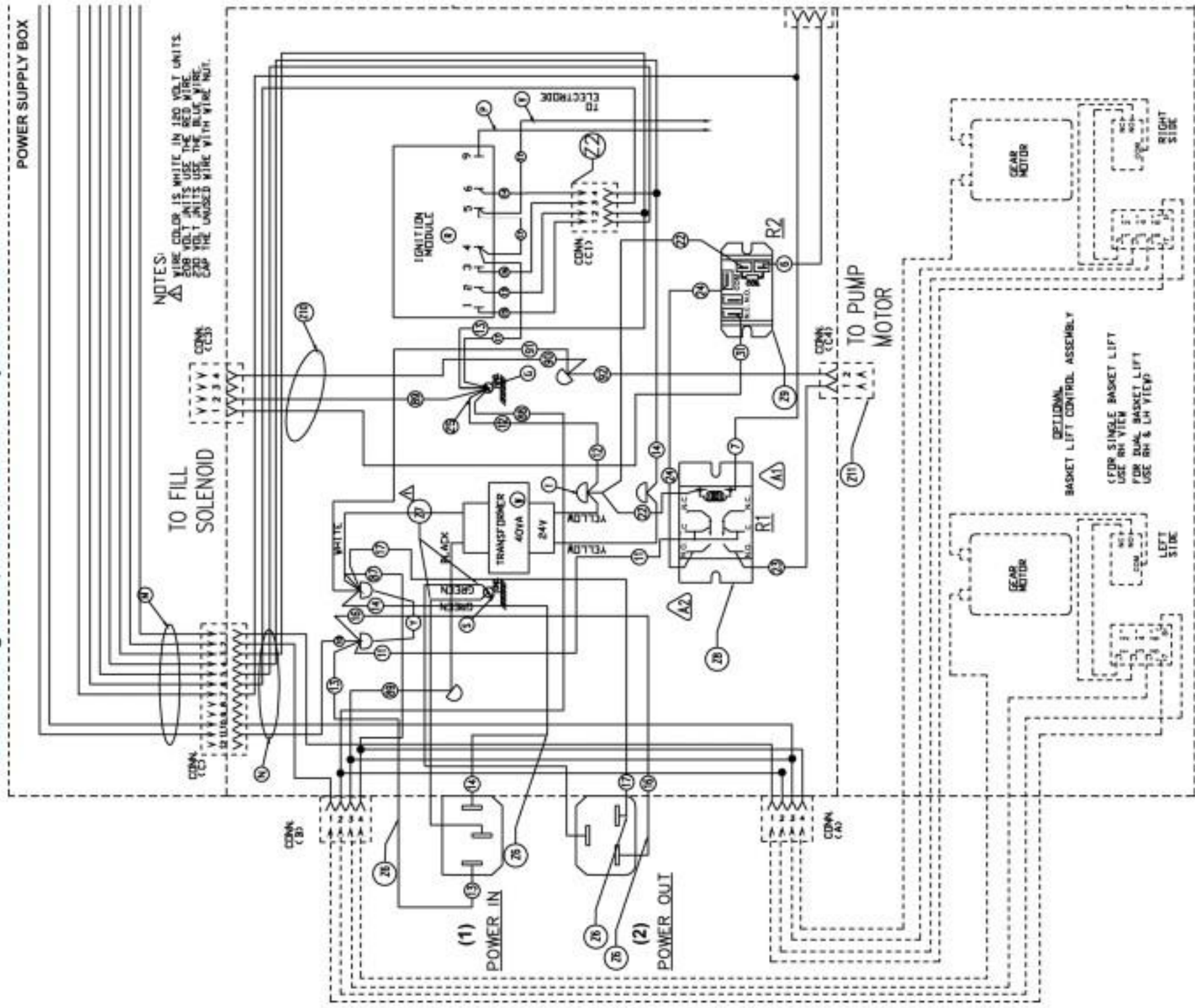
Electronic Ignition, Solid State or Computer Control (cont'd)



1	1	Z11	HARNESS, MOTOR CONNECT	-
1	1	Z10	HARNESS, SOLENOID CONNECT	-
1	1	Z9	RELAY SPST 24 VAC COIL	-
1	1	Z8	RELAY 24 VAC COIL SOLENOID W/IMP 120 VOLT	-
2	2	Z7	WIRE ASSEMBLY (GREEN)	-
4	4	Z6	WIRE ASSEMBLY [13,14,16,17]	-
1	1	Z5	WIRE ASSEMBLY [12]	-
1	1	Z3	MANFOLD HARNESS	-
1	1	Z2	HARNESS-IGNITION MODULE	-
1	1	Z1	OPTIONAL FILTER SUPPLY CORD	-
2	2	Y	WIRE NUT YELLOW	-
1	1	W	24V 40VA TRANSFORMER 120 VOLT 240 VOLT	-
1	1	V	LEAD ASSEMBLY [17]	-
3	3	T	WIRE NUT	-
1	1	S	GROUND LUG	-
1	1	R	IGNITION MODULE	-
1	1	P	IGNITOR CABLE	-
1	1	N	POWER HARNESS	-
1	1	M	MAIN HARNESS	-
1	1	L	H-LIMIT	-
1	1	K	COMBO VALVE W. R. NAT LP	-
1	1	J	INTERFACE HARNESS	-
1	2	G	TERMINAL, STATIONARY	-
1	1	E	CONTROL INTERFACE TRIDELTA	-
1	1	D	D.V.I. HARNESS ASSEMBLY	-
1	1	C	THERMISTOR	-
1	1	B	ROCKER SWITCH ASSEMBLY	-
1	-	AI	NCC CONTROLLER W/TIMER(S) W/FILTER NO/FILTER	-
-	1	A	NCC COMPUTER W/FILTER NO/FILTER	-
req.	req.	PL	assemblies	PL
WIRING INFORMATION				
FOR UNITS LISTED				
C MODELS	WIRING DIAGRAM W. & W/O SOLENOID, FILL			
D MODELS	GCS FRYERS W/E.L., W. & W/O/L/F/T/S			
DERIVED FROM:				REVISION
D428863-1				REV. D

WIRING DIAGRAMS

Electronic Ignition, Solid State or Computer Control

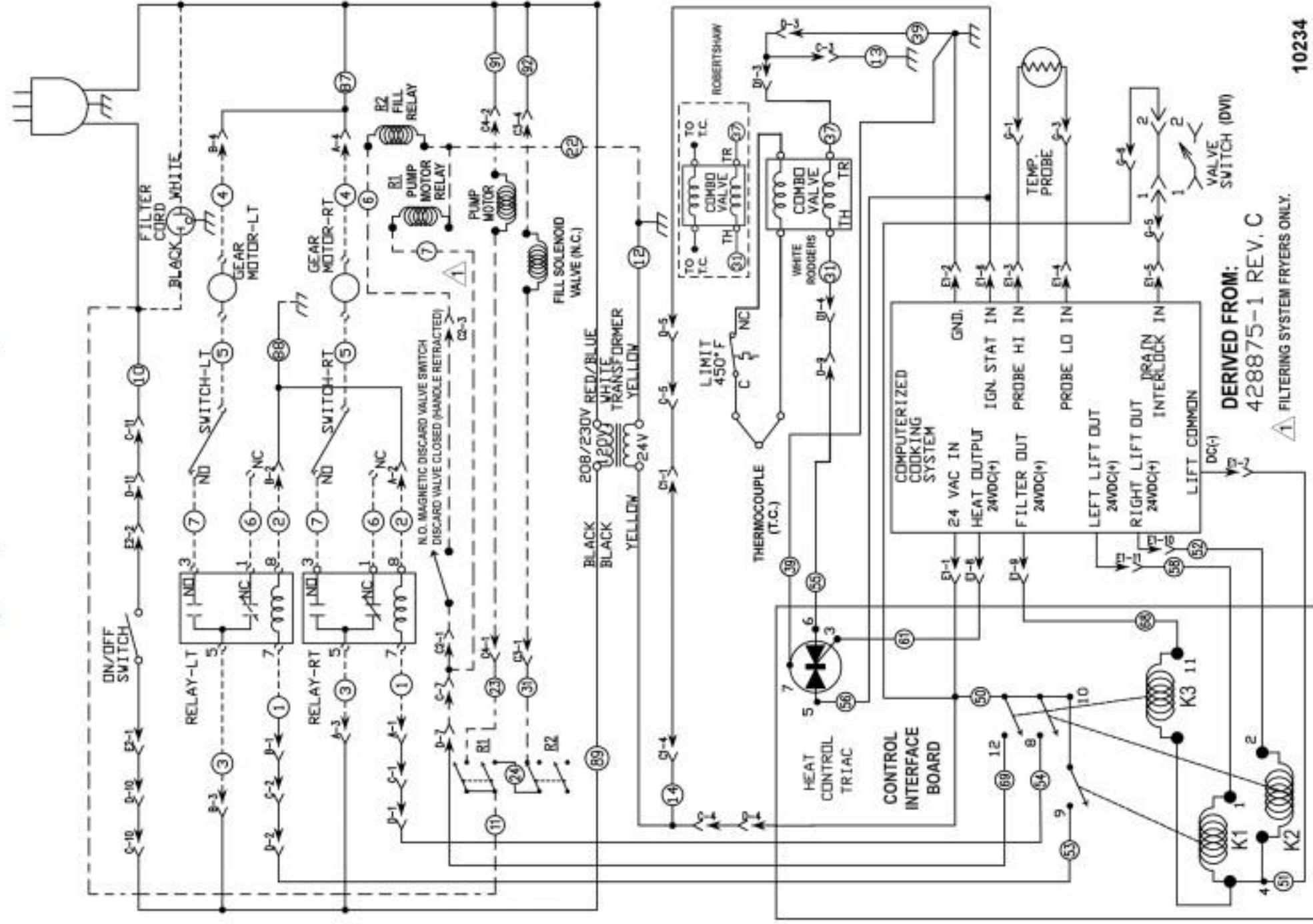


(1) FRYER POWER SUPPLY CORD CONNECTED TO THE BUILDINGS POWER SOURCE OR A JUMPER CORD IF POWER CONNECTION IS FROM OTHER FRYER SECTIONS.

(2) JUMPER CORD POWER TO THE OTHER FRYER SECTIONS.

Fig. 62

Manual Ignition, Solid State or Computer Control

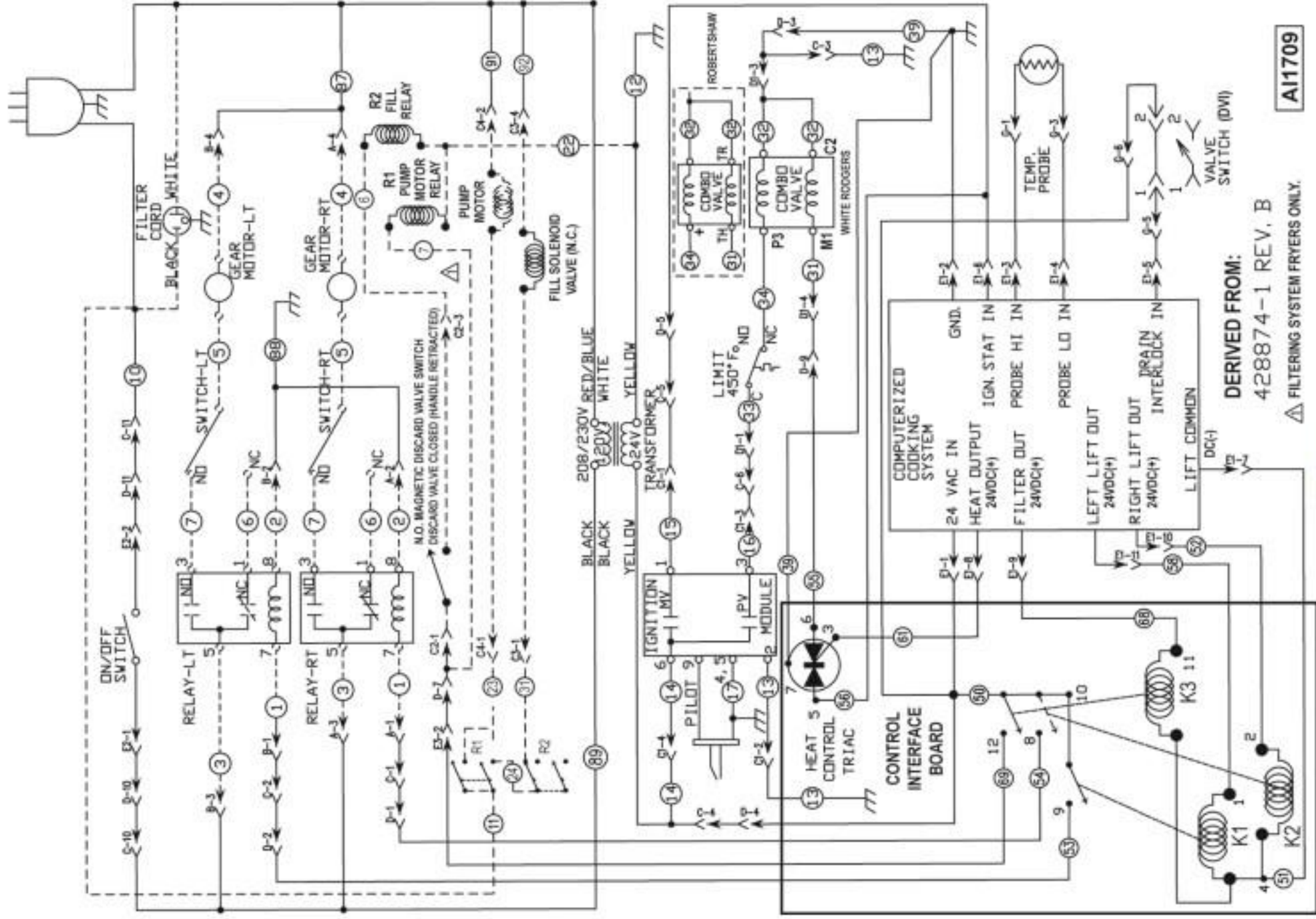


DERIVED FROM:
428875-1 REV. C
▲ FILTERING SYSTEM FRYERS ONLY.

Fig. 61

SCHEMATIC DIAGRAMS

Electronic Ignition, Solid State or Computer Control



DERIVED FROM:
428874-1 REV. B

△ FILTERING SYSTEM FRYERS ONLY.

A11709

Fig. 60