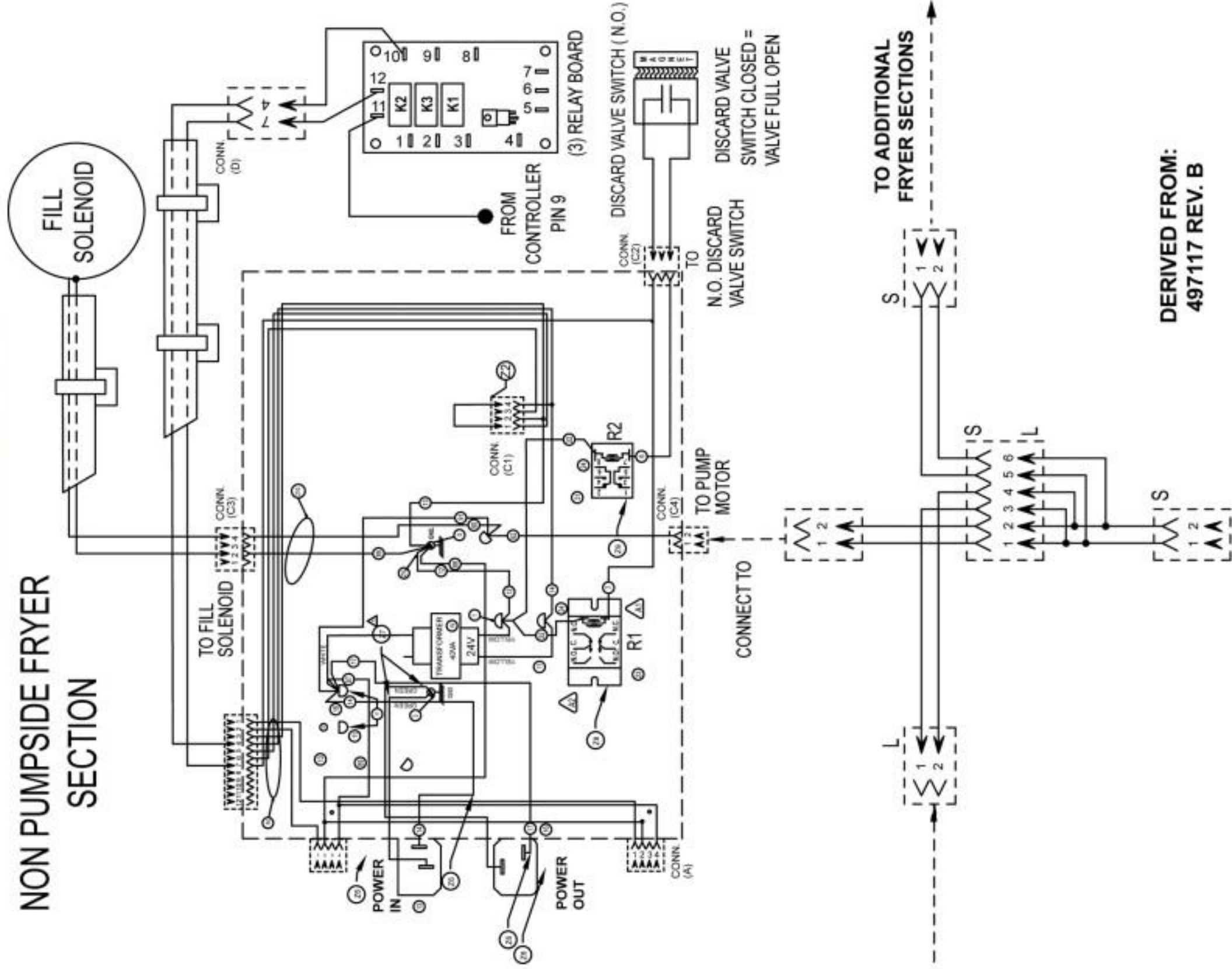
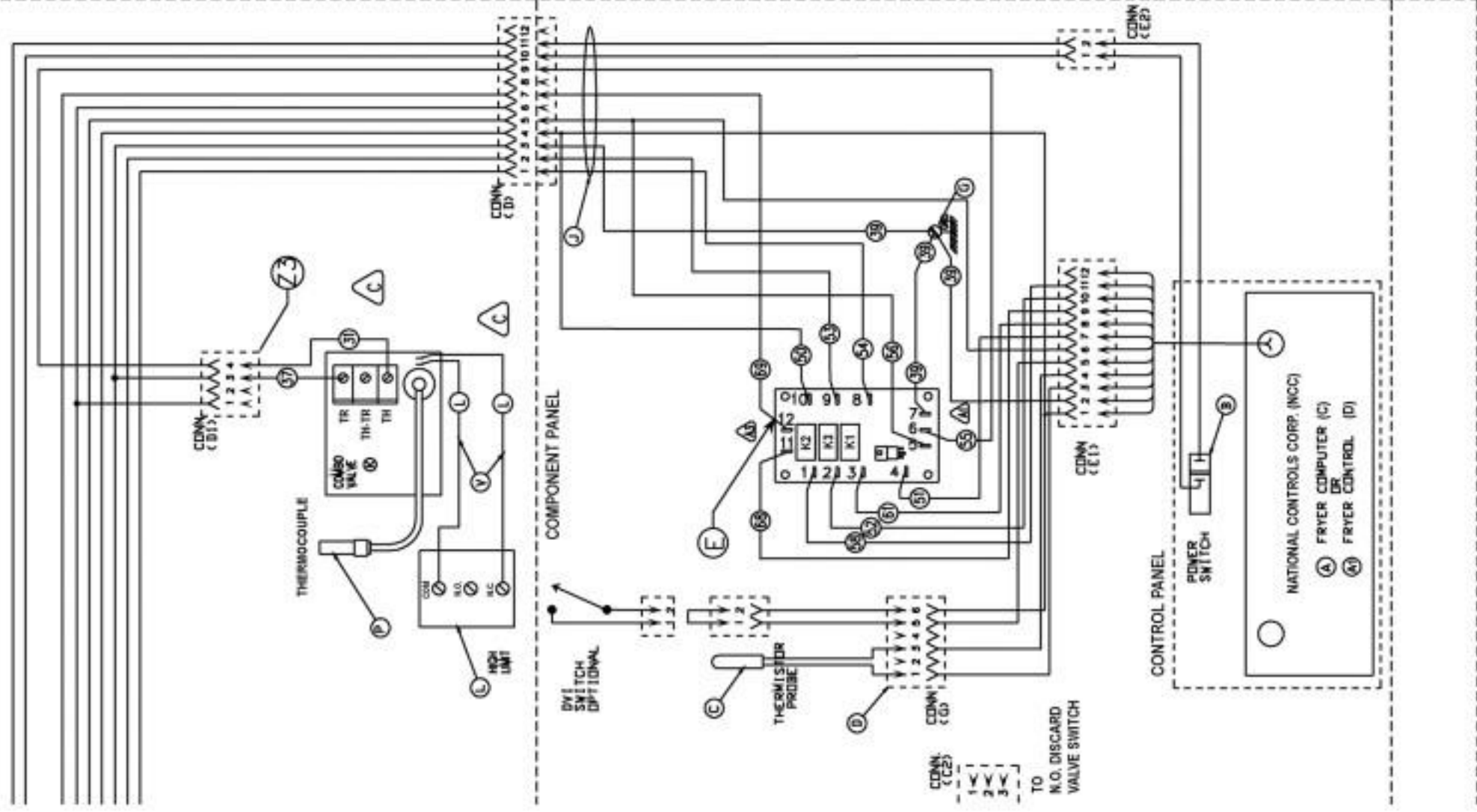


# NON PUMPSIDE FRYER SECTION



DERIVED FROM:  
497117 REV. B





1	1	Z11	HARNSS, MOTOR CONNECT	-
1	1	Z10	HARNSS, SOLENOID CONNECT	-
1	1	Z9	RELAY SPST 24 VAC COIL	-
1	1	Z8	RELAY 24 VAC COIL COMB RATING 1HP, 120 VOLT	-
2	2	Z7	WIRE ASSEMBLY (GREEN)	-
4	4	Z6	WIRE ASSEMBLY [13,14,16,17]	-
1	1	Z5	WIRE ASSEMBLY [12]	-
1	1	Z3	MANFOLD HARNSS	-
1	1	Z2	HARNSS-IGNITION MODULE	-
1	1	Z1	OPTIONAL FILTER SUPPLY CORD	-
2	2	Y	WIRE NUT YELLOW	-
1	1	W	24V 40VA TRANSFORMER 120 VOLT 240 VOLT	-
1	2	V	LIMIT WIRES	-
3	3	T	WIRE NUT	-
1	1	S	GROUND LUG	-
1	1	P	THERMOCOUPLE	-
1	1	N	POWER HARNSS	-
1	1	M	MAIN HARNSS	-
1	1	L	HI-LIMIT	-
1	1	K	COMBO VALVE W.R. NAT LP	-
1	1	J	INTERFACE HARNSS	-
1	2	G	TERMINAL, STATIONARY	-
1	1	E	CONTROL INTERFACE, TRIDELTA	-
1	1	D	D.V.L. HARNSS ASSEMBLY	-
1	1	C	THERMISTOR	-
1	1	B	ROCKER SWITCH ASSEMBLY	-
1	-	AI	NCC CONTROLLER W/TIMER(S) W/FILTER WO/FILTER	-
-	1	A	NCC COMPUTER W/FILTER WO/FILTER	-
req	req	n.	capacitor	pin.
D MODELS	C MODELS	<b>WIRING INFORMATION</b> FOR UNITS LISTED WIRING DIAGRAM W & WO/SOLENOID, FILL CCS FRYERS, WO/E.L., W & WO/LIFTS		
		DERIVED FROM: <b>D 428863-2</b>		REV. <b>D</b>

PAGE 2 OF 2  
(SEE 10207)

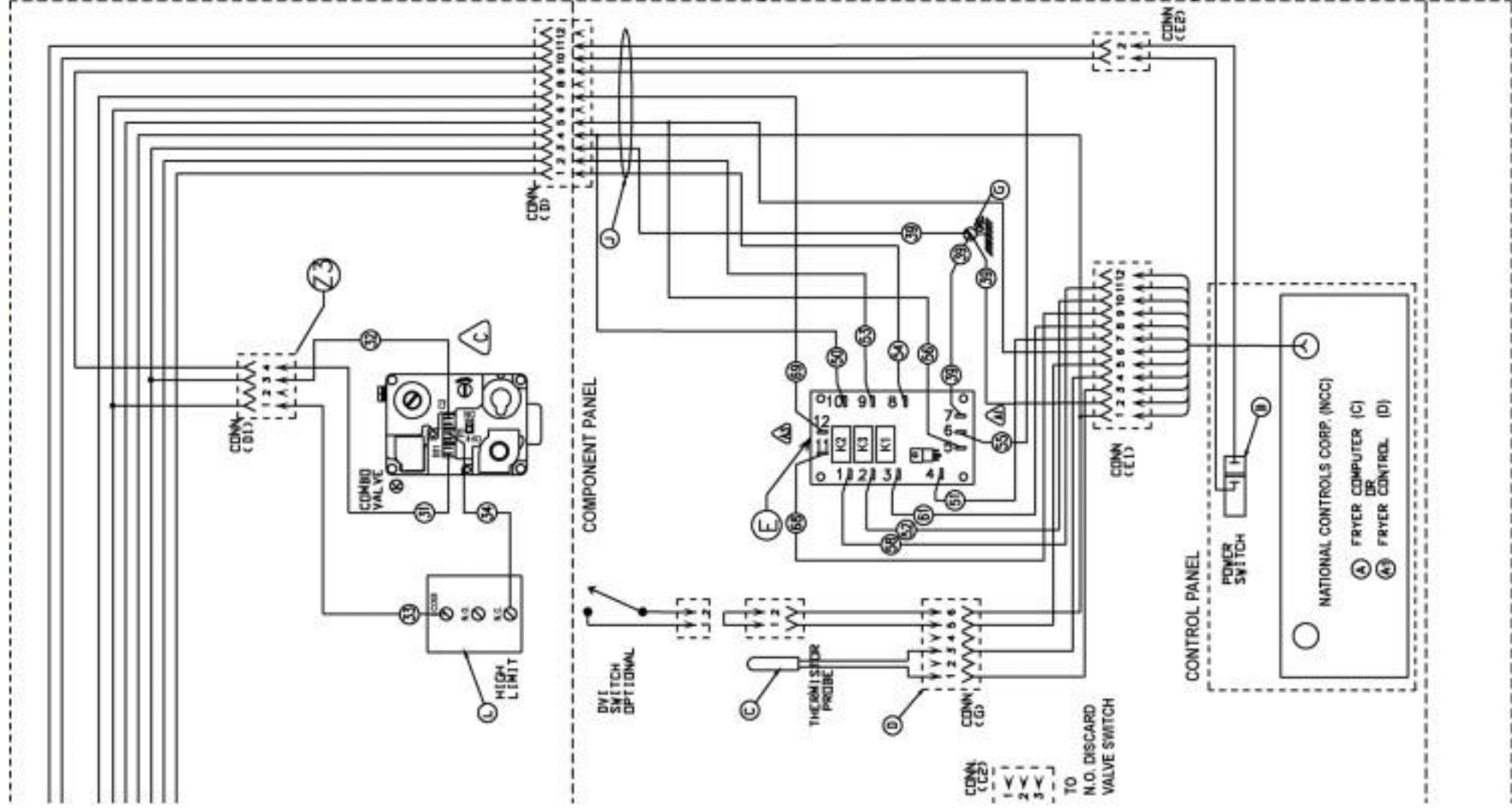
SEE SCHEMATIC DECAL 428875-1

10208

Fig. 65



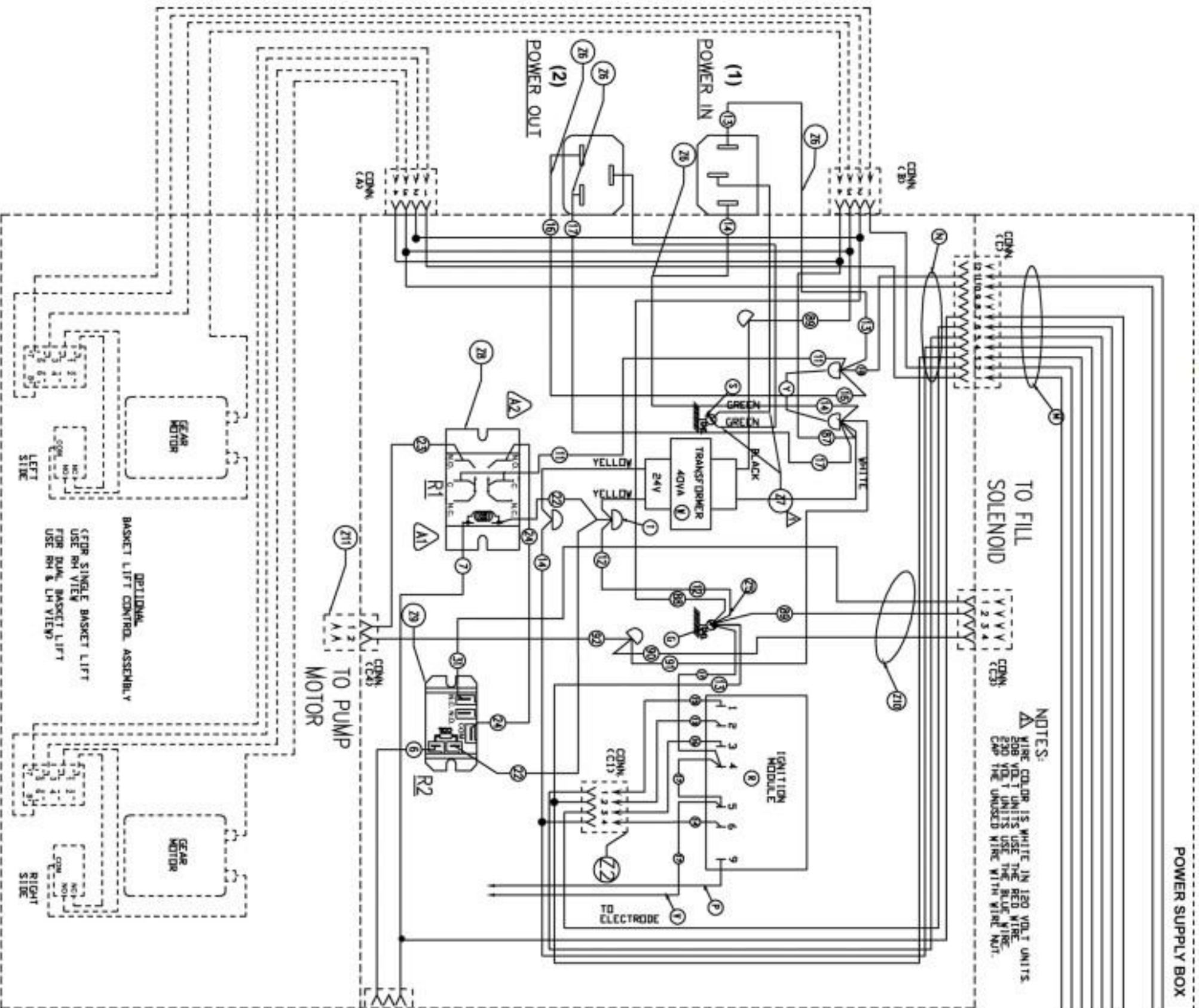
# Electronic Ignition, Solid State or Computer Control (cont'd)



1	1	Z11	HARNESS, MOTOR CONNECT	-
1	1	Z10	HARNESS, SOLENOID CONNECT	-
1	1	Z9	RELAY SPST 24 VAC COIL	-
1	1	Z8	RELAY 24 VAC COIL CONT. RATING 1HP 120 VOLT	-
2	2	Z7	WIRE ASSEMBLY (GREEN)	-
4	4	Z6	WIRE ASSEMBLY [13,14,16,17]	-
1	1	Z5	WIRE ASSEMBLY [12]	-
1	1	Z3	MANFOLD HARNESS	-
1	1	Z2	HARNESS-IGNITION MODULE	-
1	1	Z1	OPTIONAL FILTER SUPPLY CORD	-
2	2	Y	WIRE NUT YELLOW	-
1	1	W	24V 40VA TRANSFORMER	120 VOLT
1	1	V	LEAD ASSEMBLY [17]	240 VOLT
3	3	T	WIRE NUT	-
1	1	S	GROUND LUG	-
1	1	R	IGNITION MODULE	-
1	1	P	IGNITOR CABLE	-
1	1	N	POWER HARNESS	-
1	1	M	MAIN HARNESS	-
1	1	L	H-LIMIT	-
1	1	K	COMBO VALVE W. R.	NAT LP
1	1	J	INTERFACE HARNESS	-
1	2	G	TERMINAL, STATIONARY	-
1	1	E	CONTROL INTERFACE TRIDELTA	-
1	1	D	D.V.I. HARNESS ASSEMBLY	-
1	1	C	THERMISTOR	-
1	1	B	ROCKER SWITCH ASSEMBLY	-
1	-	A1	NCC CONTROLLER W/TIMER(S)	W/FILTER WO/FILTER
-	1	A	NCC COMPUTER	W/FILTER WO/FILTER
REQ. NOS.	PT.	DESCRIPTION	PTN.	

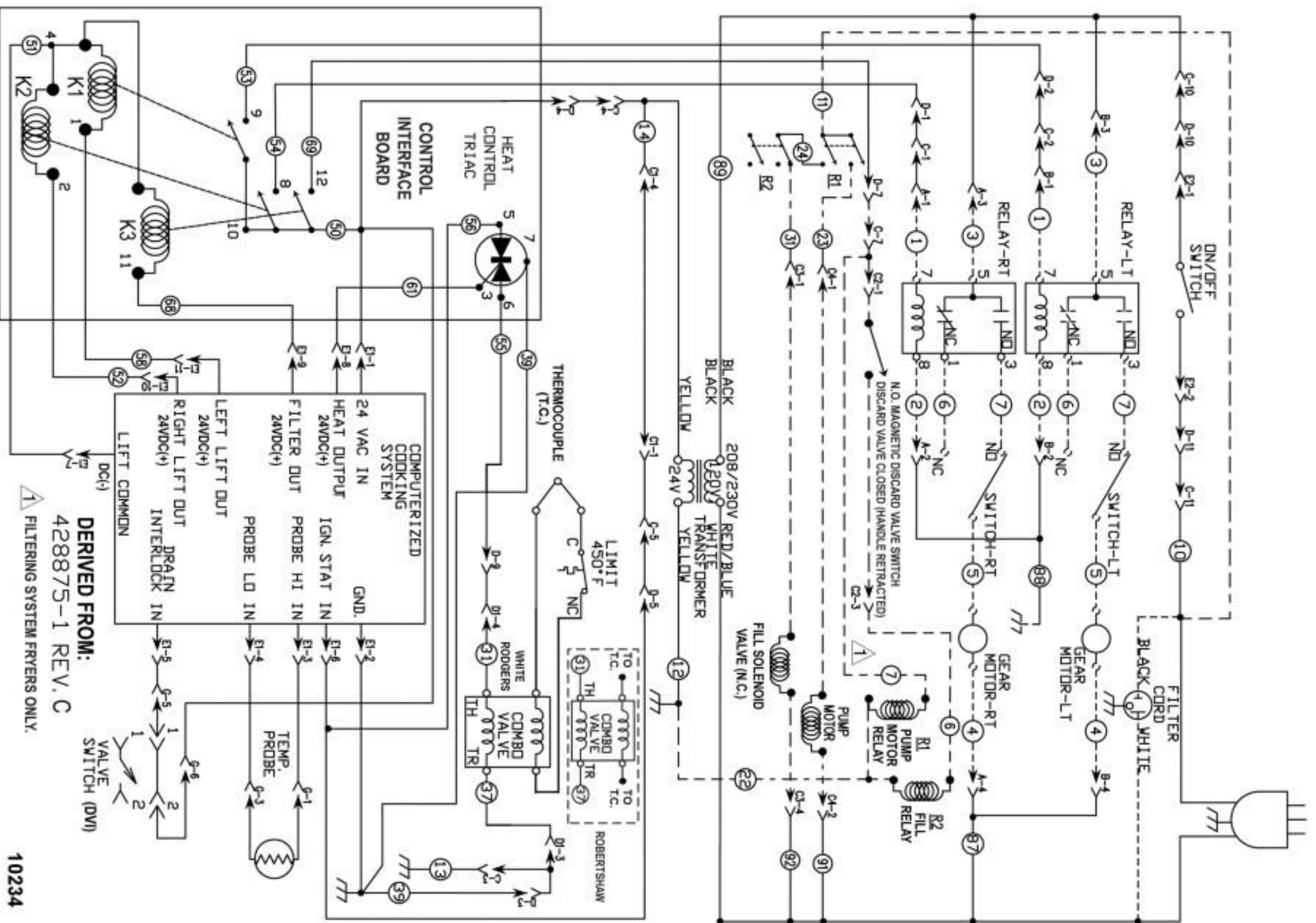
D MODELS		C MODELS	
WIRING INFORMATION			
FOR UNITS LISTED			
WIRING DIAGRAM W & WO/SOLENOID, FILL			
SCS FRYERS W/E.L.W. & WO/LIFTS			
DERIVED FROM: D 428863-1 REV. D			
SCALE: NONE			

Fig. 62



NOTES:  
 ▲ WIRE COLOR IS WHITE IN 120 VOLT UNITS.  
 ■ 208 VOLT UNITS USE THE RED WIRE.  
 ■ 230 VOLT UNITS USE THE BLUE WIRE.  
 ■ CAP THE UNUSED WIRE WITH WIRE NUT.

(1) FRYER POWER SUPPLY CORD CONNECTED TO THE BUILDINGS POWER SOURCE  
 OR A JUMPER CORD IF POWER CONNECTION IS FROM OTHER FRYER SECTIONS.



DERIVED FROM:  
428875-1 REV. C

1 FILTERING SYSTEM FRYERS ONLY.

Fig. 61

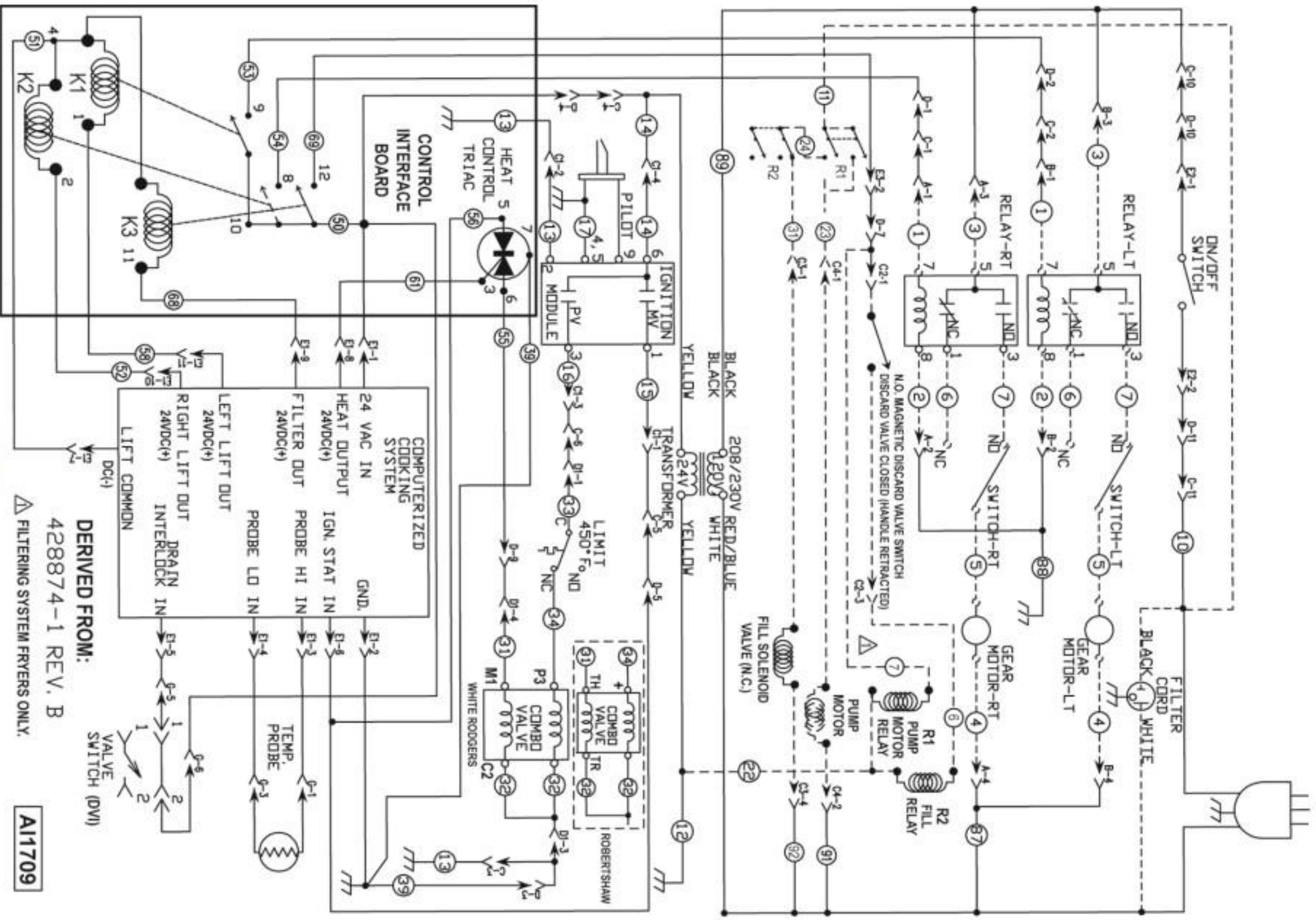


Fig. 60

DERIVED FROM:  
428874-1 REV. B  
△ FILTERING SYSTEM FRYERS ONLY.

A11709