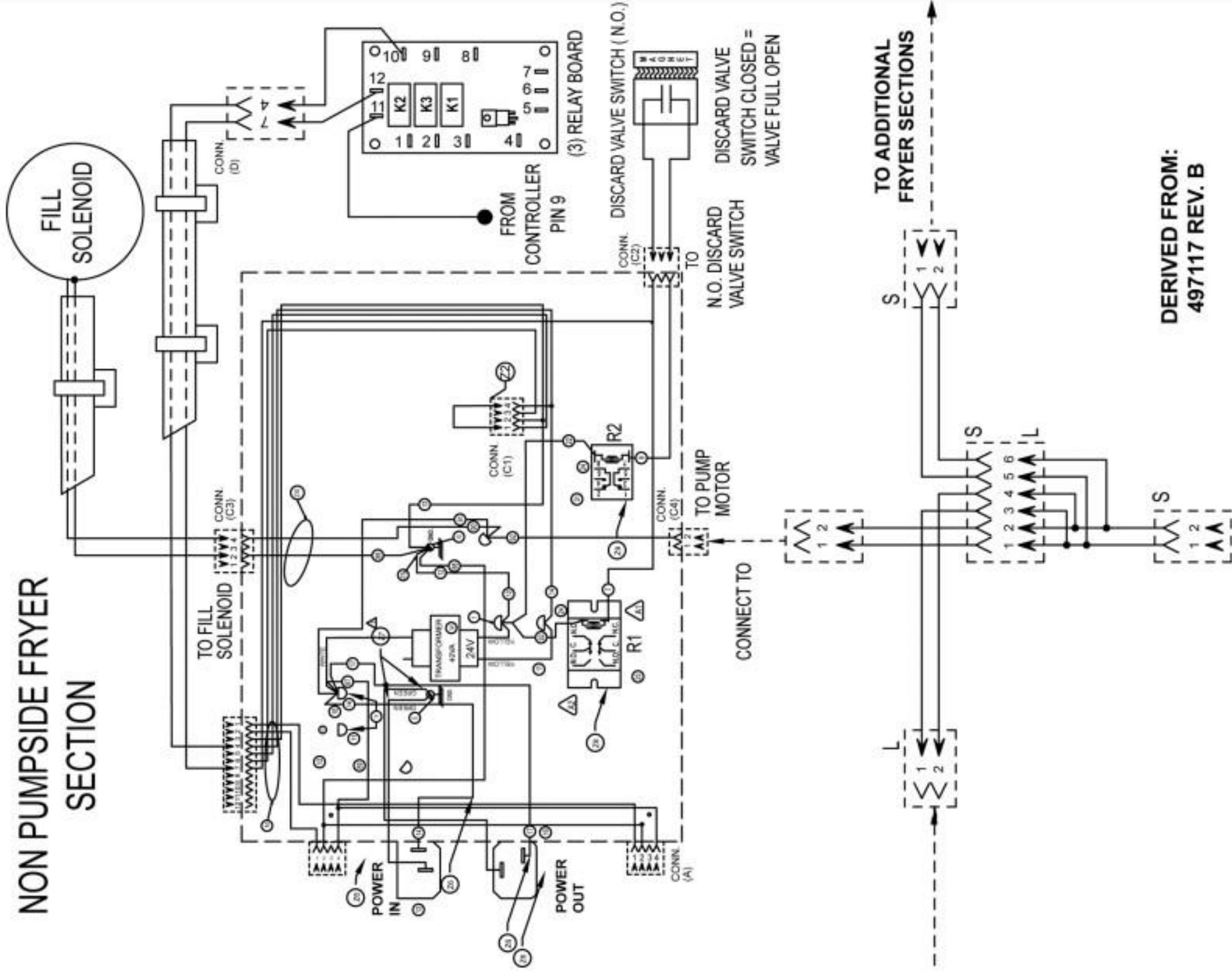


Filtering System Fryers (cont'd)

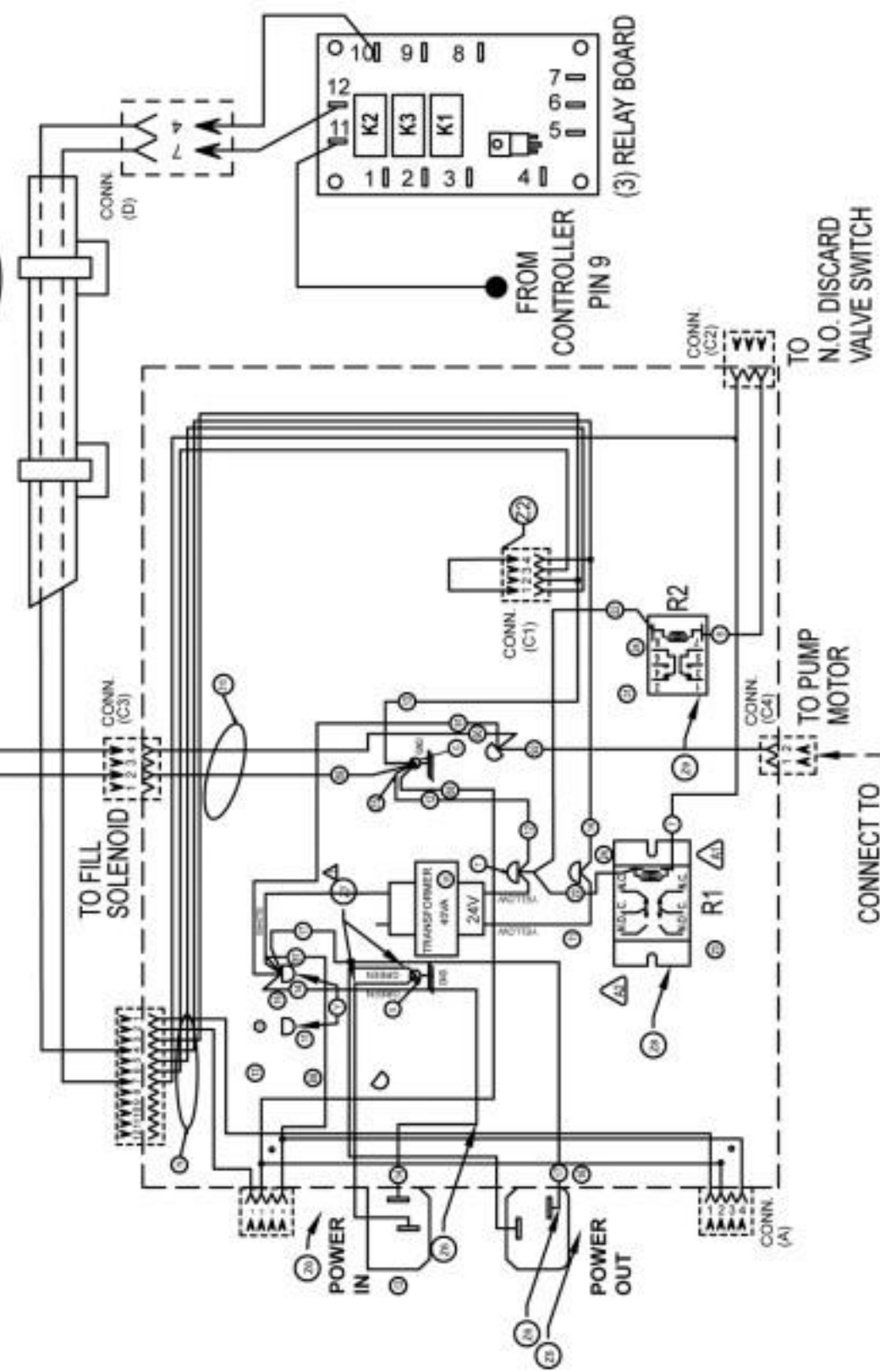
NON PUMPSIDE FRYER SECTION



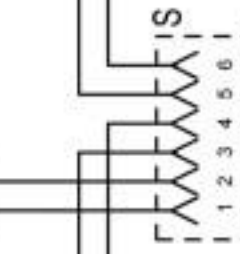
DERIVED FROM:
497117 REV. B

Filtering System Fryers

PUMPSIDE FRYER SECTION



CONNECT TO



CONNECT

PUMP MOTOR HERE

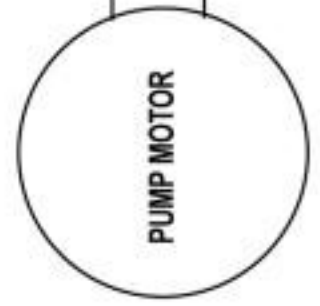
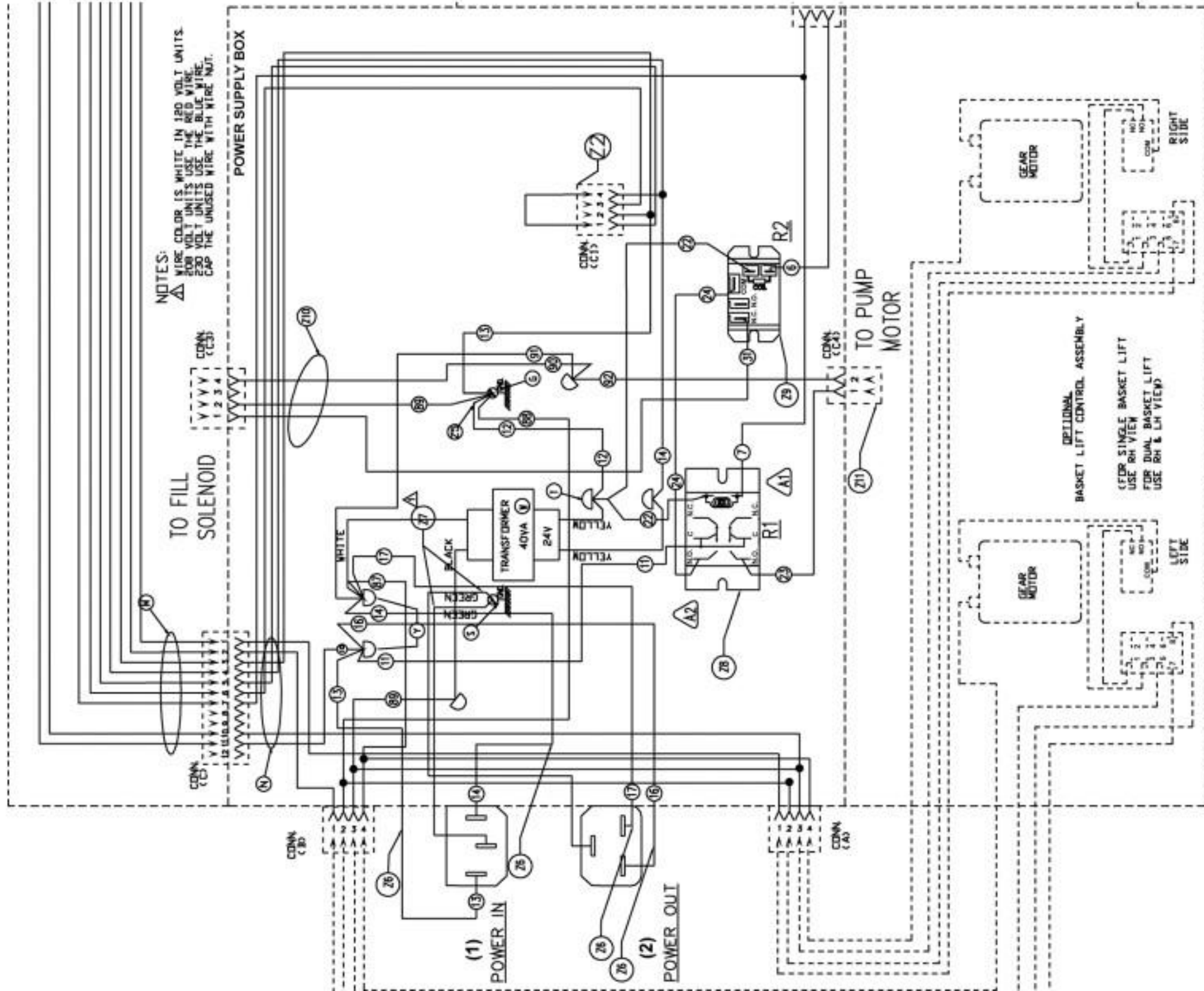
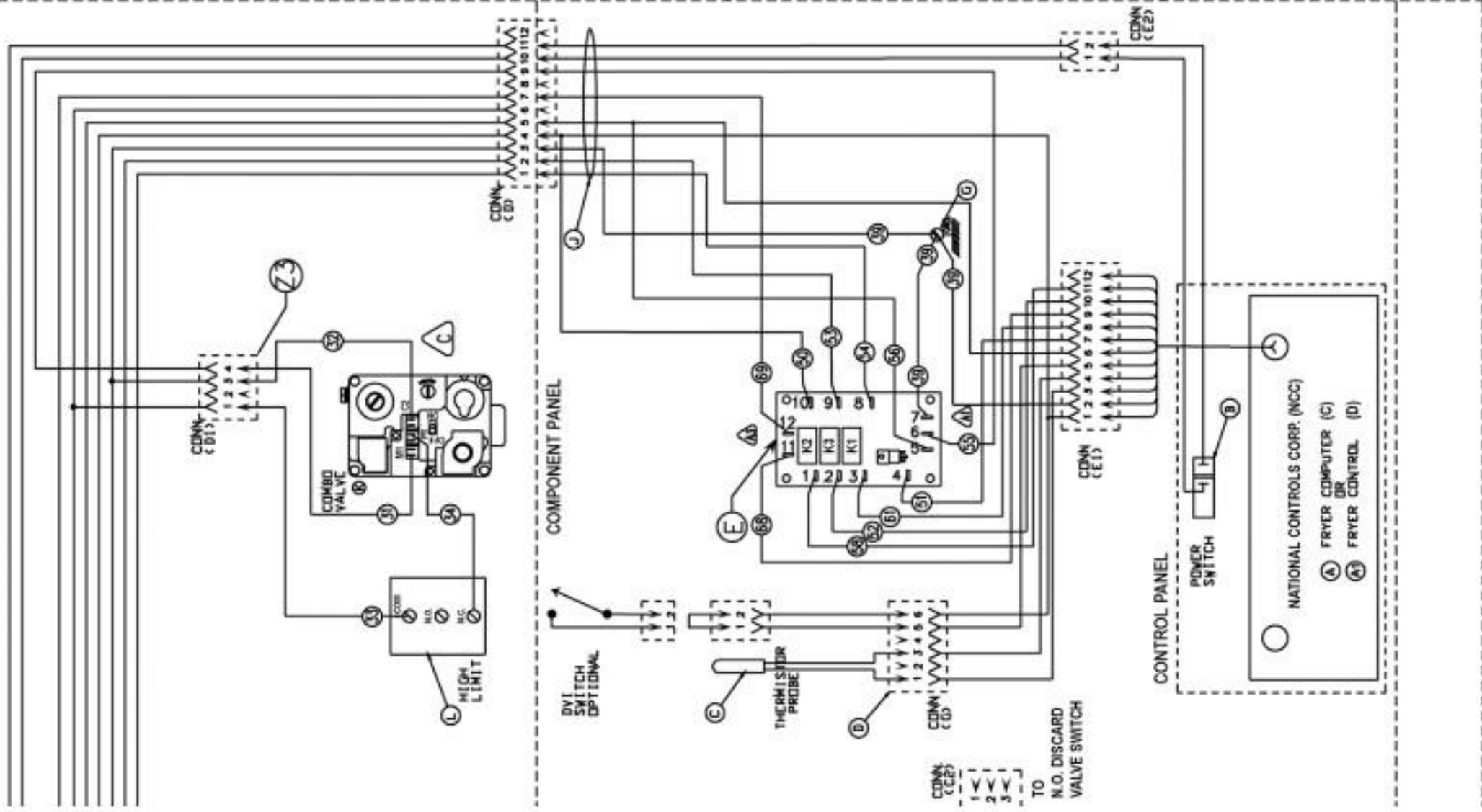


Fig. 66

Manual Ignition, Solid State or Computer Control





1	1	Z11	HARNES, MOTOR CONNECT	-
1	1	Z10	HARNES, SOLENOID CONNECT	-
1	1	Z9	RELAY SPST 24 VAC COIL	-
1	1	Z8	RELAY 24 VAC COIL CONT. RATING 1HP 120 VOLT	-
2	2	Z7	WIRE ASSEMBLY (GREEN)	-
4	4	Z6	WIRE ASSEMBLY [13,14,16,17]	-
1	1	Z5	WIRE ASSEMBLY [12]	-
1	1	Z3	MANFOLD HARNES	-
1	1	Z2	HARNES-IGNITION MODULE	-
1	1	Z1	OPTIONAL FILTER SUPPLY CORD	-
2	2	Y	WIRE NUT YELLOW	-
1	1	W	24V 40VA TRANSFORMER 120 VOLT	-
1	1	V	LEAD ASSEMBLY [17]	-
3	3	T	WIRE NUT	-
1	1	S	GROUND LUG	-
1	1	R	IGNITION MODULE	-
1	1	P	IGNITOR CABLE	-
1	1	N	POWER HARNES	-
1	1	M	MAIN HARNES	-
1	1	L	HI-LIMIT	-
1	1	K	COMBO VALVE W. R. NAT LP	-
1	1	J	INTERFACE HARNES	-
1	2	G	TERMINAL, STATIONARY	-
1	1	E	CONTROL INTERFACE TRIDELTA	-
1	1	D	D.V.I. HARNES ASSEMBLY	-
1	1	C	THERMISTOR	-
1	1	B	ROCKER SWITCH ASSEMBLY	-
1	-	AI	NCC CONTROLLER W/TIMER(S) W/FILTER WO/FILTER	-
-	1	A	NCC COMPUTER W/FILTER WO/FILTER	-
req.	nos.	n.	description	pin.
WIRING INFORMATION				
FOR UNITS LISTED				
WIRING DIAGRAM W & WO/SOLENOID, FILL				
CCS FRYERS W/E.L., W & WO/LUITS				
SERIAL NONE				
DERIVED FROM: D 428863-1 REV. D				

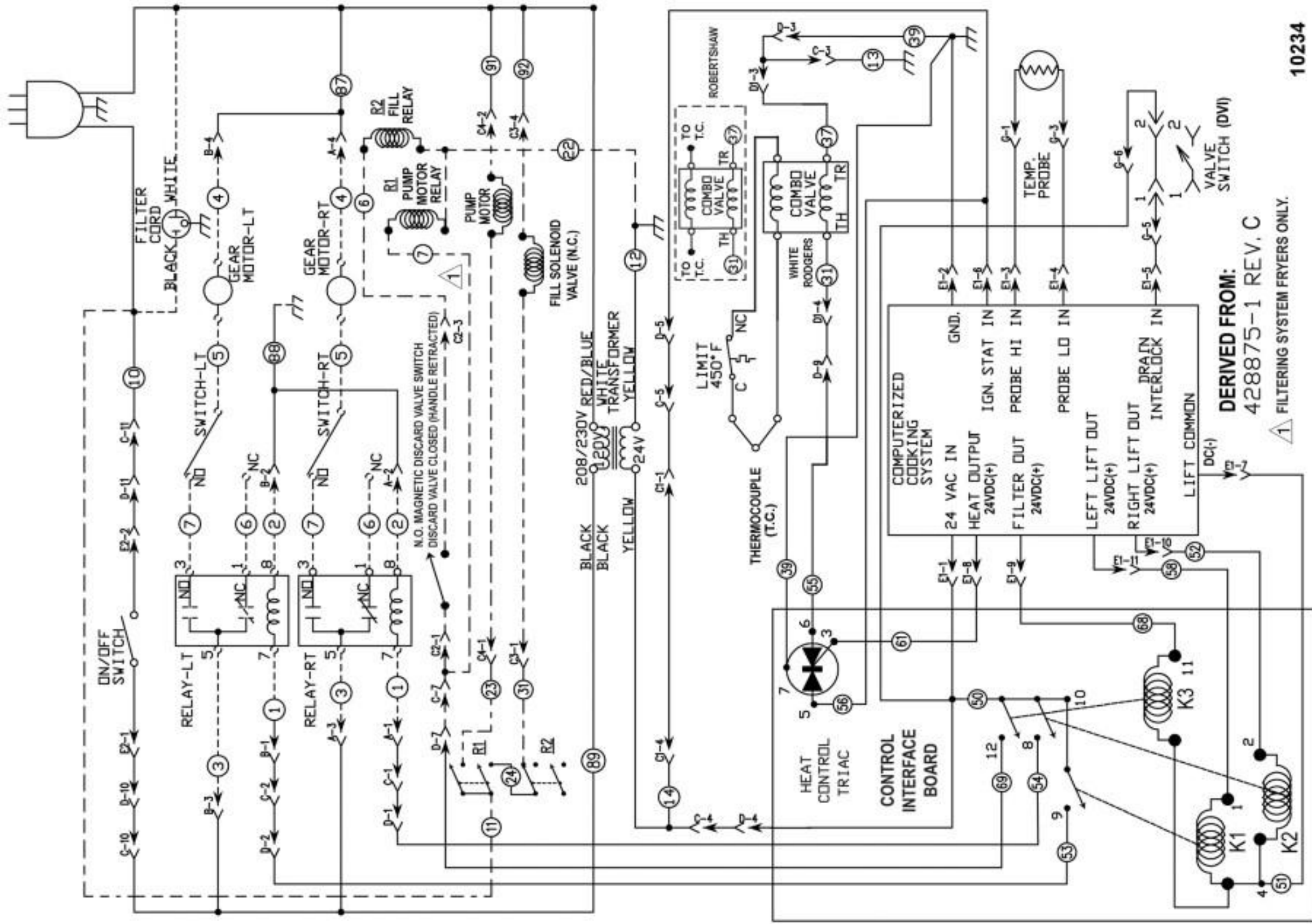


Fig. 61

▲ FILTERING SYSTEM FRYERS ONLY.

DERIVED FROM:
428875-1 REV. C

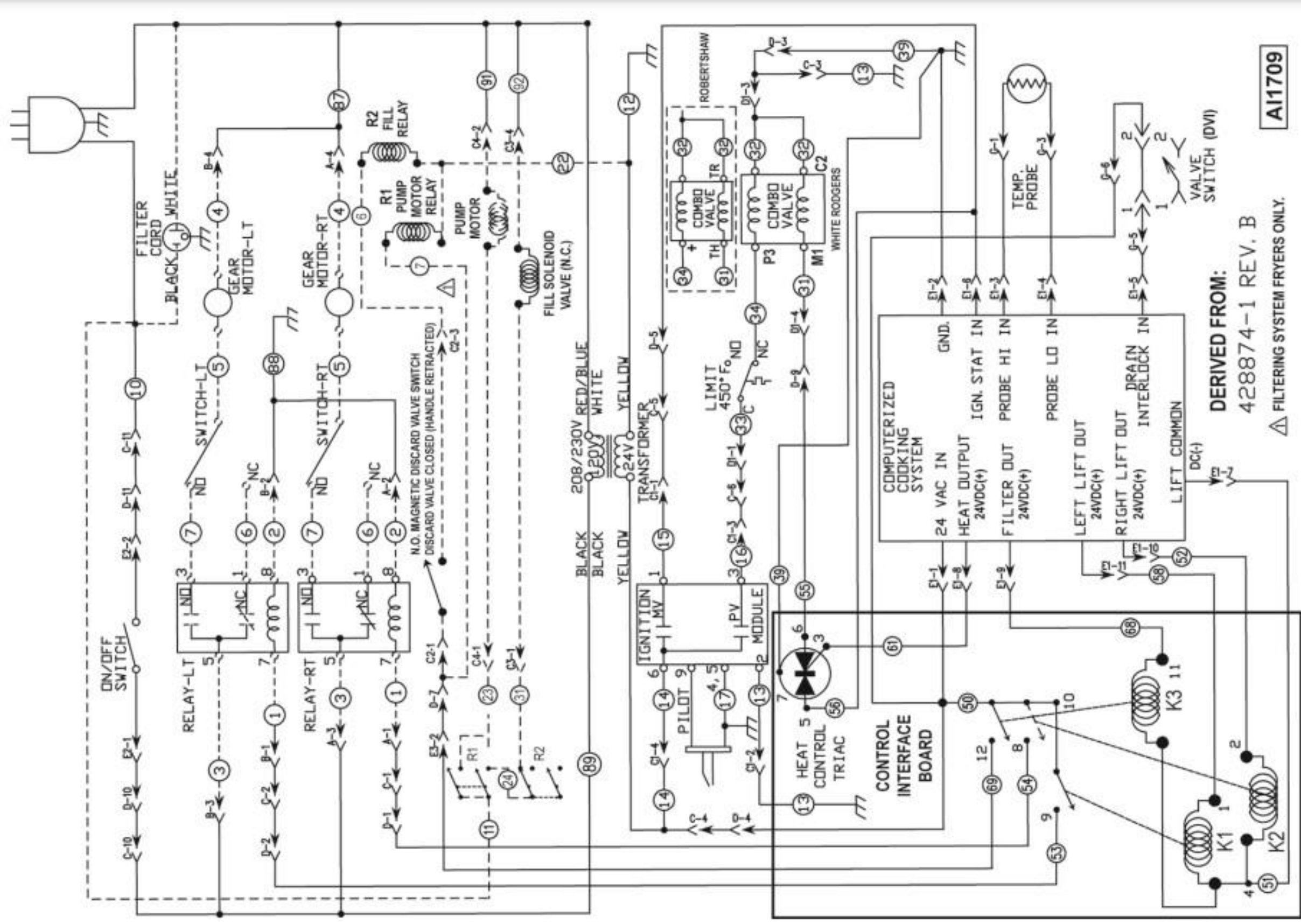


Fig. 60

AI1709

DERIVED FROM:

428874-1 REV. B

▲ FILTERING SYSTEM FRYERS ONLY.