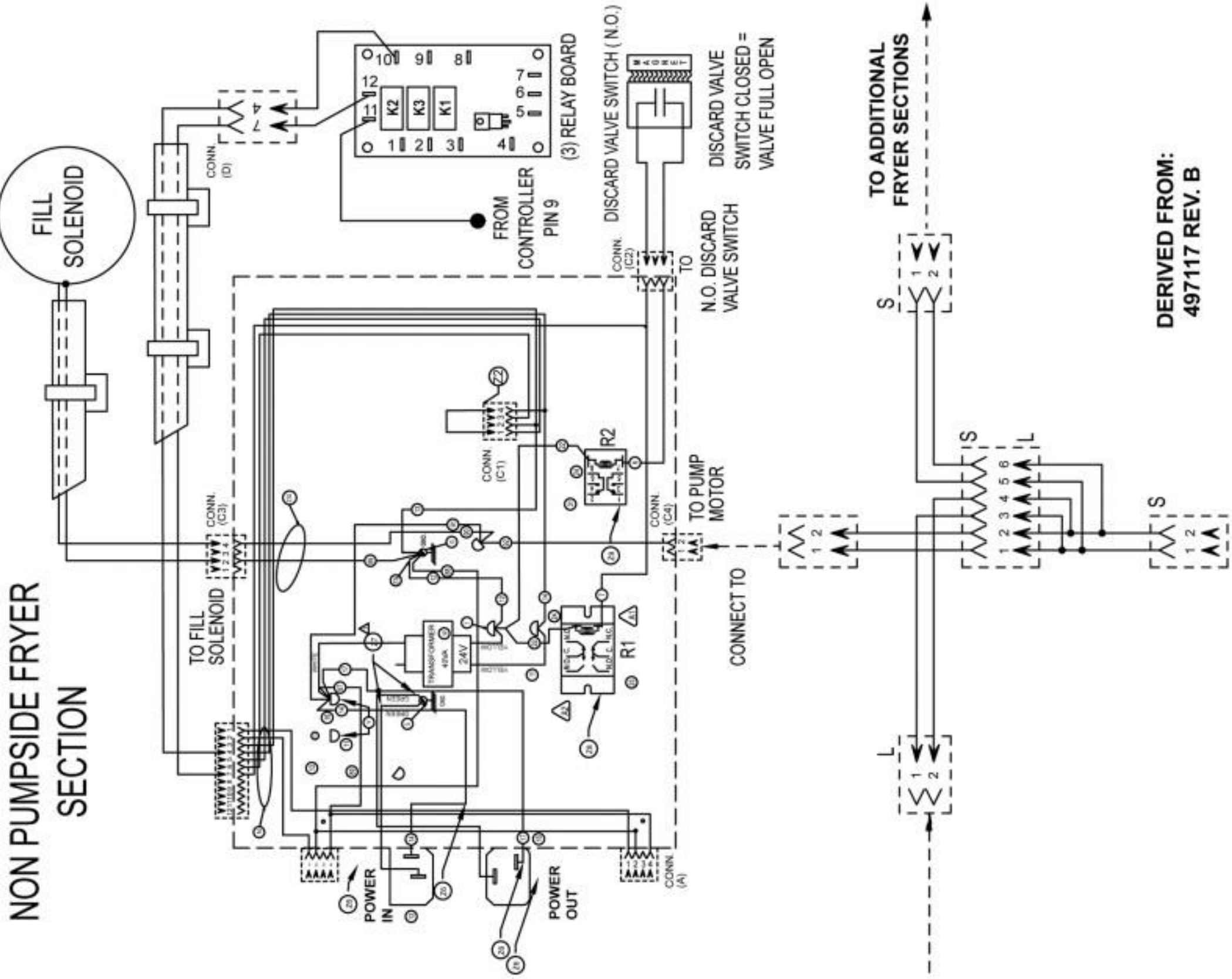


NON PUMPSIDE FRYER SECTION



DERIVED FROM:
497117 REV. B

PUMPSIDE FRYER SECTION

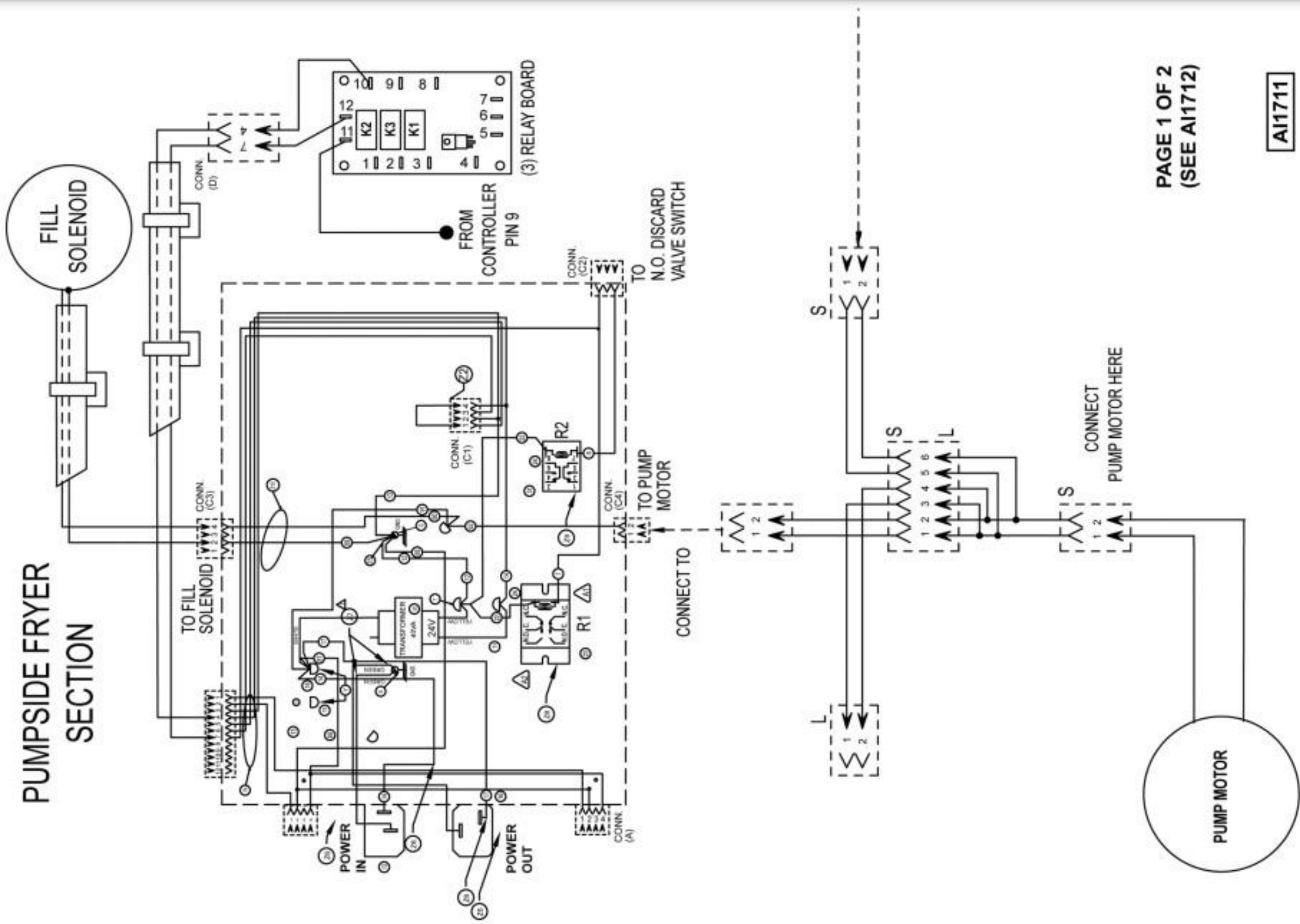


Fig. 66

NOTES:

- △ WIRE COLOR IS WHITE IN 120 VOLT UNITS
- ▽ WIRE COLOR IS WHITE IN 208 VOLT UNITS USE THE RED WIRE
- WIRE COLOR IS WHITE IN 230 VOLT UNITS USE THE BLUE WIRE
- CAP THE UNUSED WIRE WITH WIRE NUT.

TO FILL
SOLENOID

POWER SUPPLY BOX

CONN
C(C5)

CONN
C(C5)

CONN
C(B)

(1)
POWER IN

(2)
POWER OUT

TRANSFORMER
40VA
24V

YELLOW

YELLOW

GREEN

GREEN

BLACK

WHITE

CONN
C(C15)

CONN
C(A)

CONN
C(A)

CONN
C(C4)

CONN
C(C4)

TO PUMP
MOTOR

GEAR
MOTOR

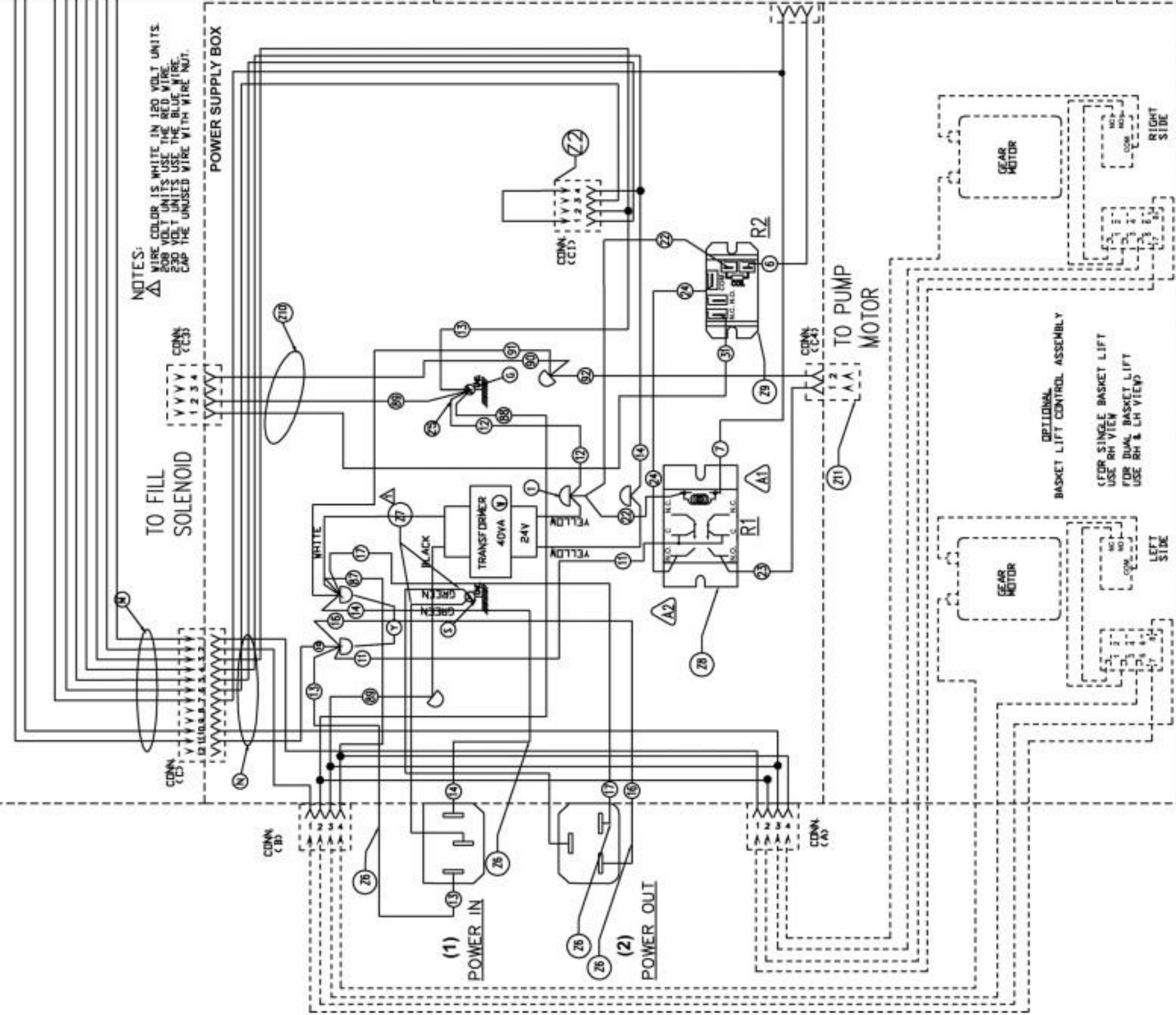
GEAR
MOTOR

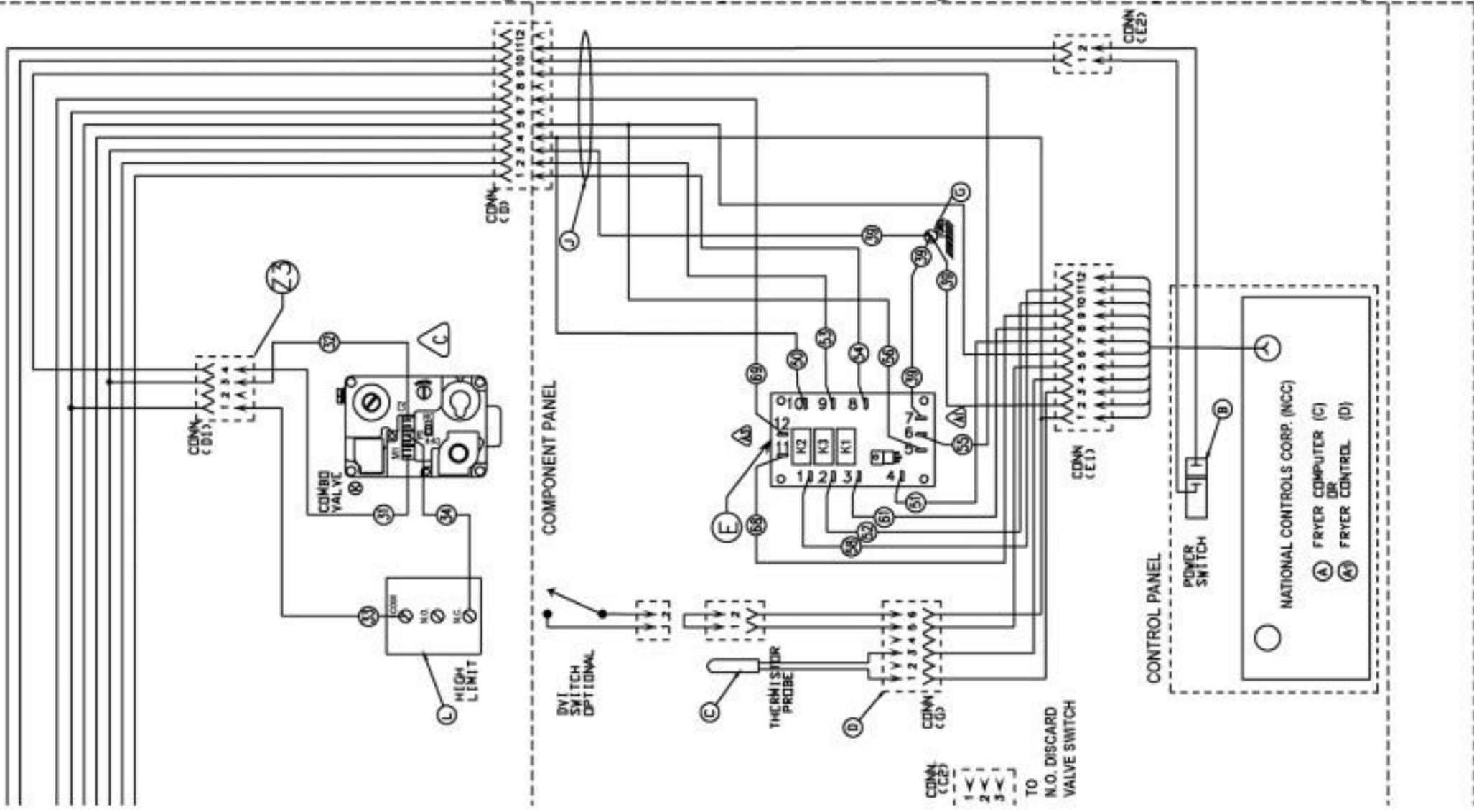
OPTIONAL
BASKET LIFT CONTROL ASSEMBLY

FOR SINGLE BASKET LIFT
USE RH VIEW
FOR DUAL BASKET LIFT
USE RH & LH VIEW

LEFT
SIDE

RIGHT
SIDE





1	1	Z11	HARNESS, MOTOR CONNECT	-
1	1	Z10	HARNESS, SOLENOID CONNECT	-
1	1	Z9	RELAY SPST 24 VAC COIL	-
1	1	Z8	RELAY 24 VAC COIL	CONT. RATING 1 HP 120 VOLT
2	2	Z7	WIRE ASSEMBLY (GREEN)	-
4	4	Z6	WIRE ASSEMBLY [13,14,16,17]	-
1	1	Z5	WIRE ASSEMBLY [12]	-
1	1	Z3	MANFOLD HARNESS	-
1	1	Z2	HARNESS-IGNITION MODULE	-
1	1	Z1	OPTIONAL FILTER SUPPLY CORD	-
2	2	Y	WIRE NUT YELLOW	-
1	1	W	24V 40VA TRANSFORMER	120 VOLT
1	1	V	LEAD ASSEMBLY [17]	240 VOLT
3	3	T	WIRE NUT	-
1	1	S	GROUND LUG	-
1	1	R	IGNITION MODULE	-
1	1	P	IGNITOR CABLE	-
1	1	N	POWER HARNESS	-
1	1	M	MAIN HARNESS	-
1	1	L	HI-LIMIT	-
1	1	K	COMBO VALVE W. R.	NAT LP
1	1	J	INTERFACE HARNESS	-
1	2	G	TERMINAL, STATIONARY	-
1	1	E	CONTROL INTERFACE TRIDELTA	-
1	1	D	D.V.I. HARNESS ASSEMBLY	-
1	1	C	THERMISTOR	-
1	1	B	ROCKER SWITCH ASSEMBLY	-
1	-	AI	NCC CONTROLLER W/TIMER(S)	W/FILTER WO/FILTER
-	1	A	NCC COMPUTER	W/FILTER WO/FILTER
req.	req.	pt.	equipment	PTA

D MODELS		C MODELS	
WIRING INFORMATION			
FOR UNITS LISTED			
WIRING DIAGRAM W & WO/SOLENOID, FILL			
CCS-FRYERS W/E.L., W & WO/LETS			
DERIVED FROM:		SCALE: NONE	
D 428863-1		REV. D	

SEE SCHEMATIC DECAL 428874-1

PAGE 2 OF 2
(SEE 10205)

10206

Fig. 63

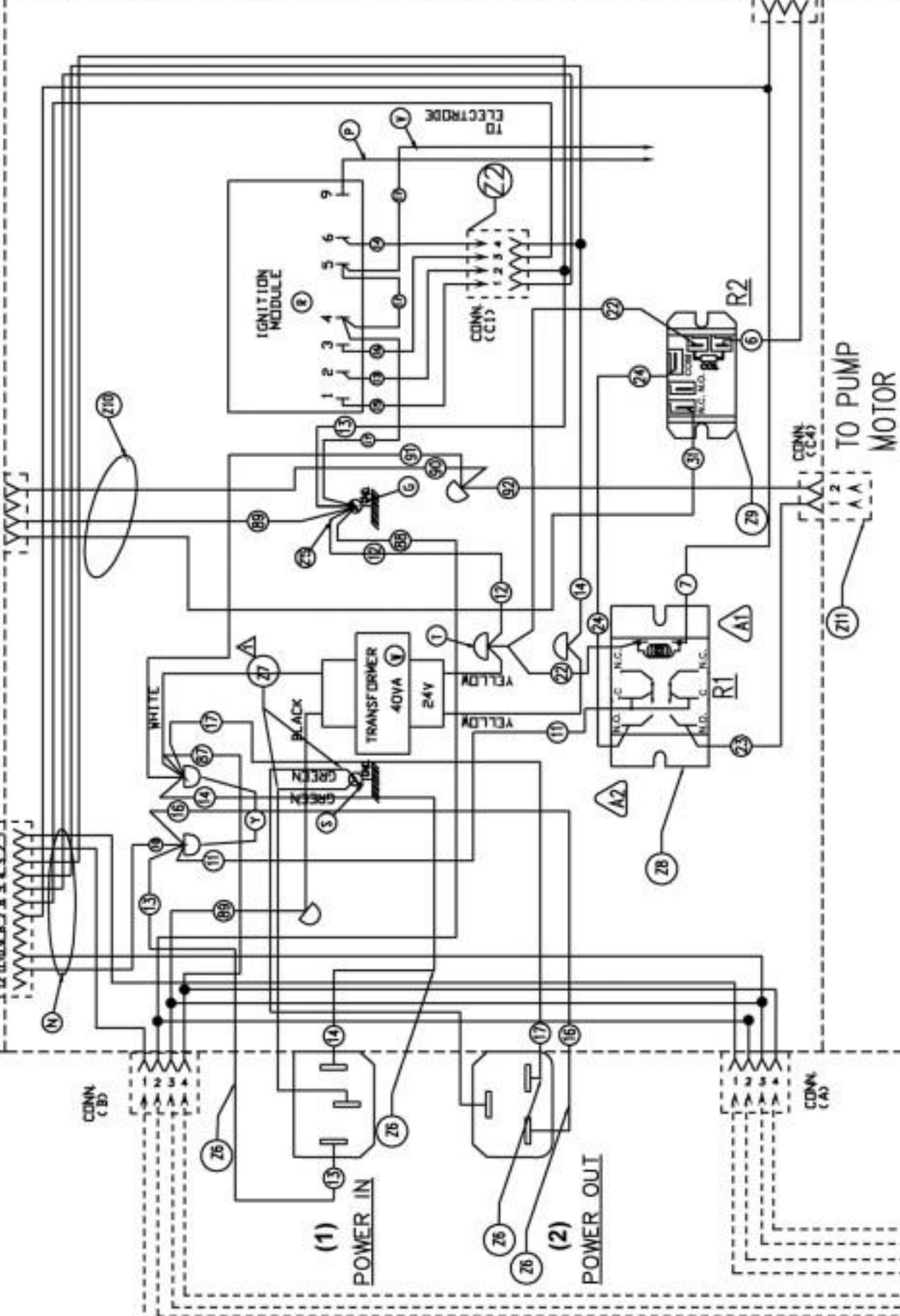
NOTES:

- ▲ WIRE COLOR IS WHITE IN 120 VOLT UNITS.
- ▲ 208 VOLT UNITS USE THE RED WIRE.
- ▲ 230 VOLT UNITS USE THE BLUE WIRE.
- ▲ CAP THE UNUSED WIRE WITH WIRE NUT.

TO FILL SOLENOID

CONN C23
1 2 3 4

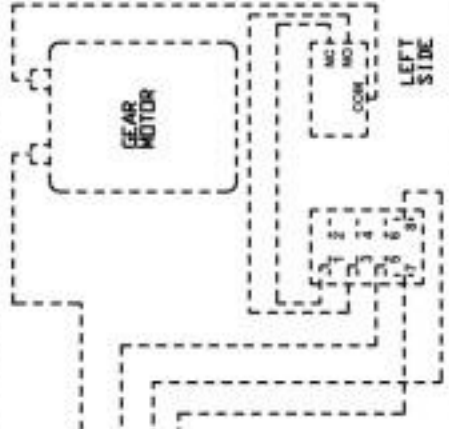
CONN C21
1 2 3 4



(1) POWER IN

(2) POWER OUT

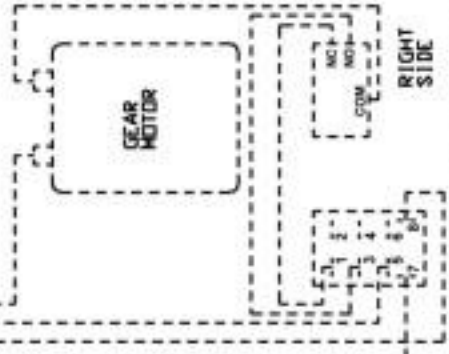
CONN C24
1 2
TO PUMP MOTOR



GEAR MOTOR

OPTIONAL BASKET LIFT CONTROL ASSEMBLY
(FOR SINGLE BASKET LIFT USE RH VIEW
FOR DUAL BASKET LIFT USE RH & LH VIEW)

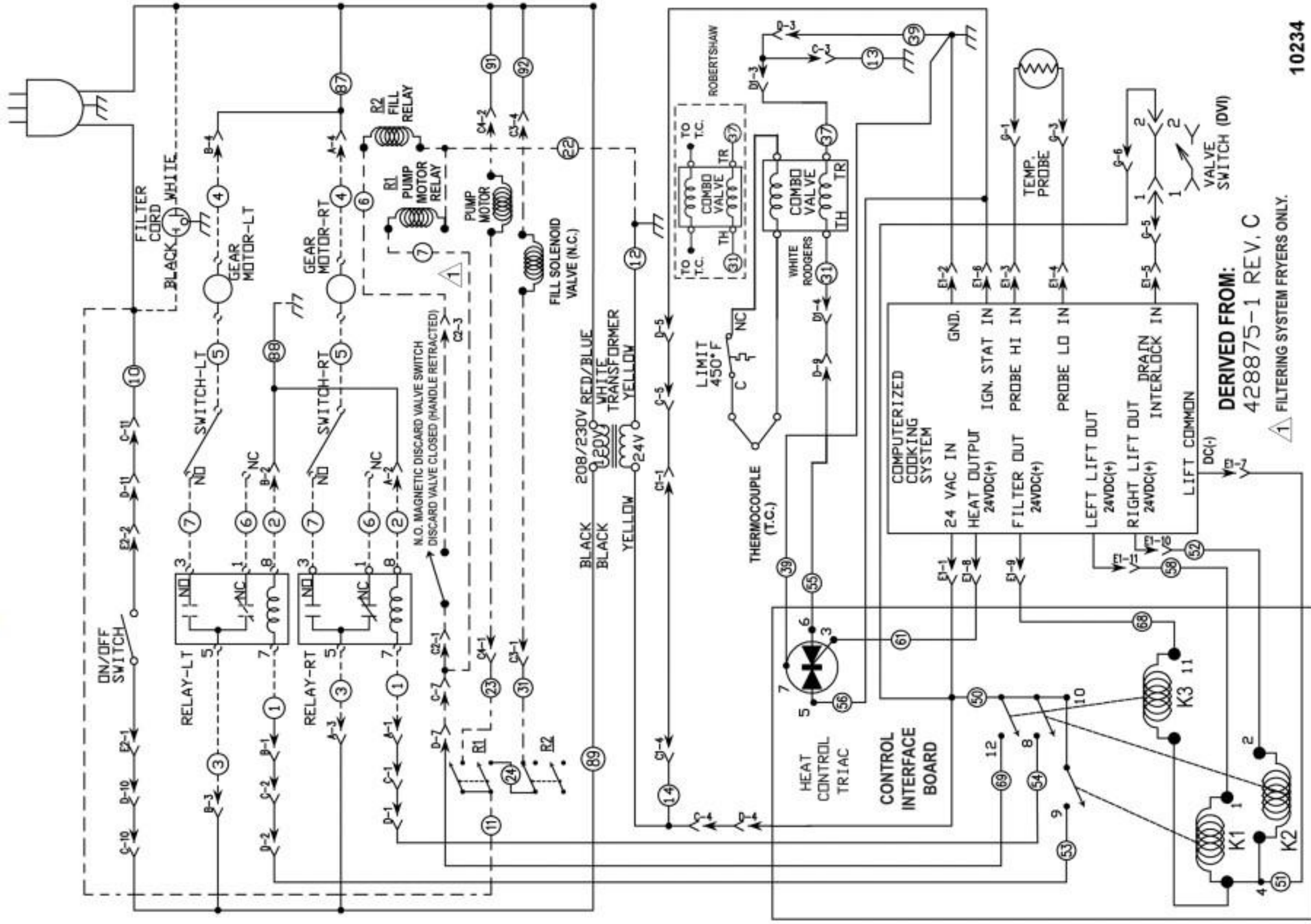
LEFT SIDE



GEAR MOTOR

OPTIONAL BASKET LIFT CONTROL ASSEMBLY
(FOR SINGLE BASKET LIFT USE RH VIEW
FOR DUAL BASKET LIFT USE RH & LH VIEW)

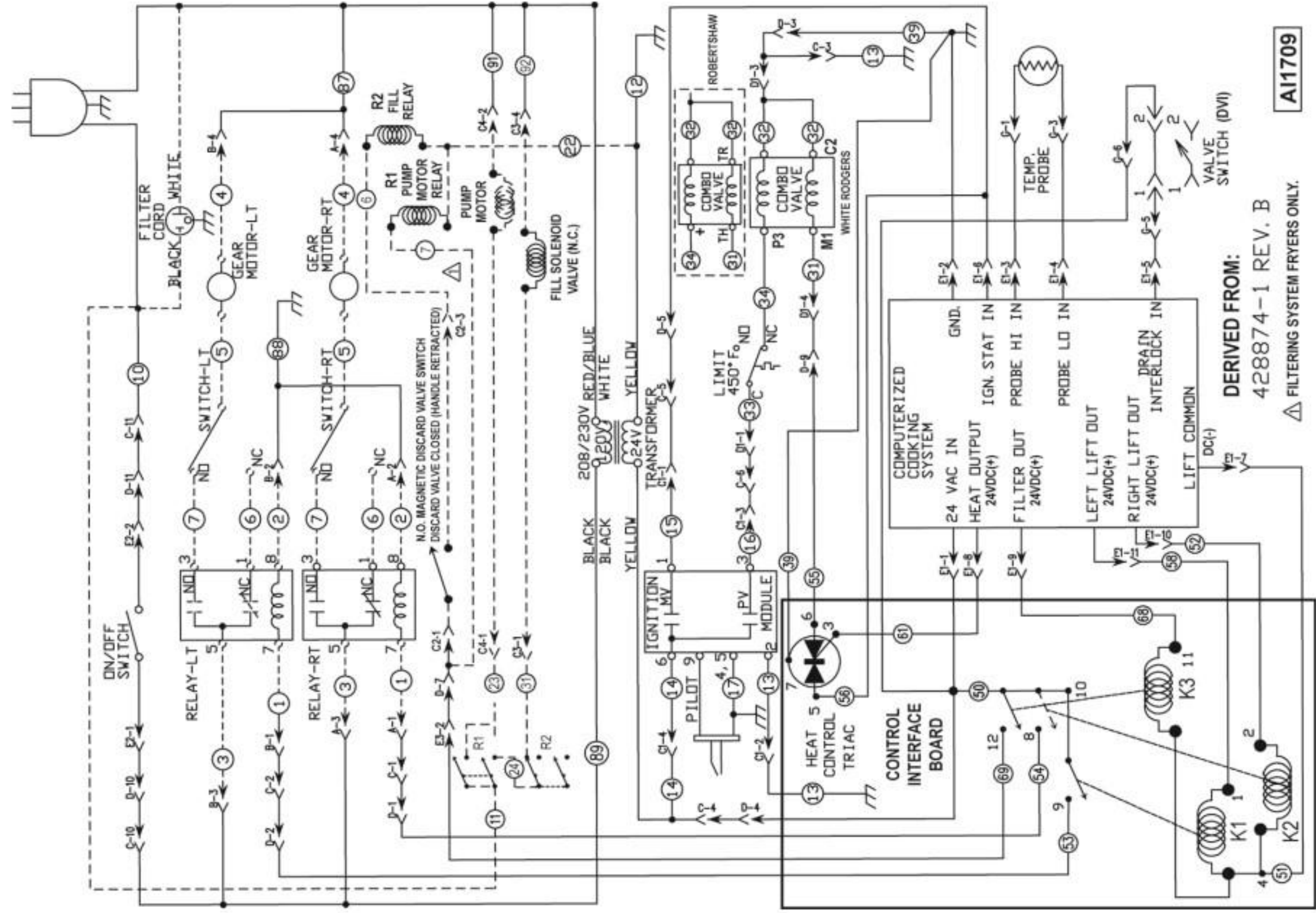
RIGHT SIDE



DERIVED FROM:
428875-1 REV. C

▲ FILTERING SYSTEM FRYERS ONLY.

Fig. 64



DERIVED FROM:

42874-1 REV. B

▲ FILTERING SYSTEM FRYERS ONLY.

AI1709

Fig. 60