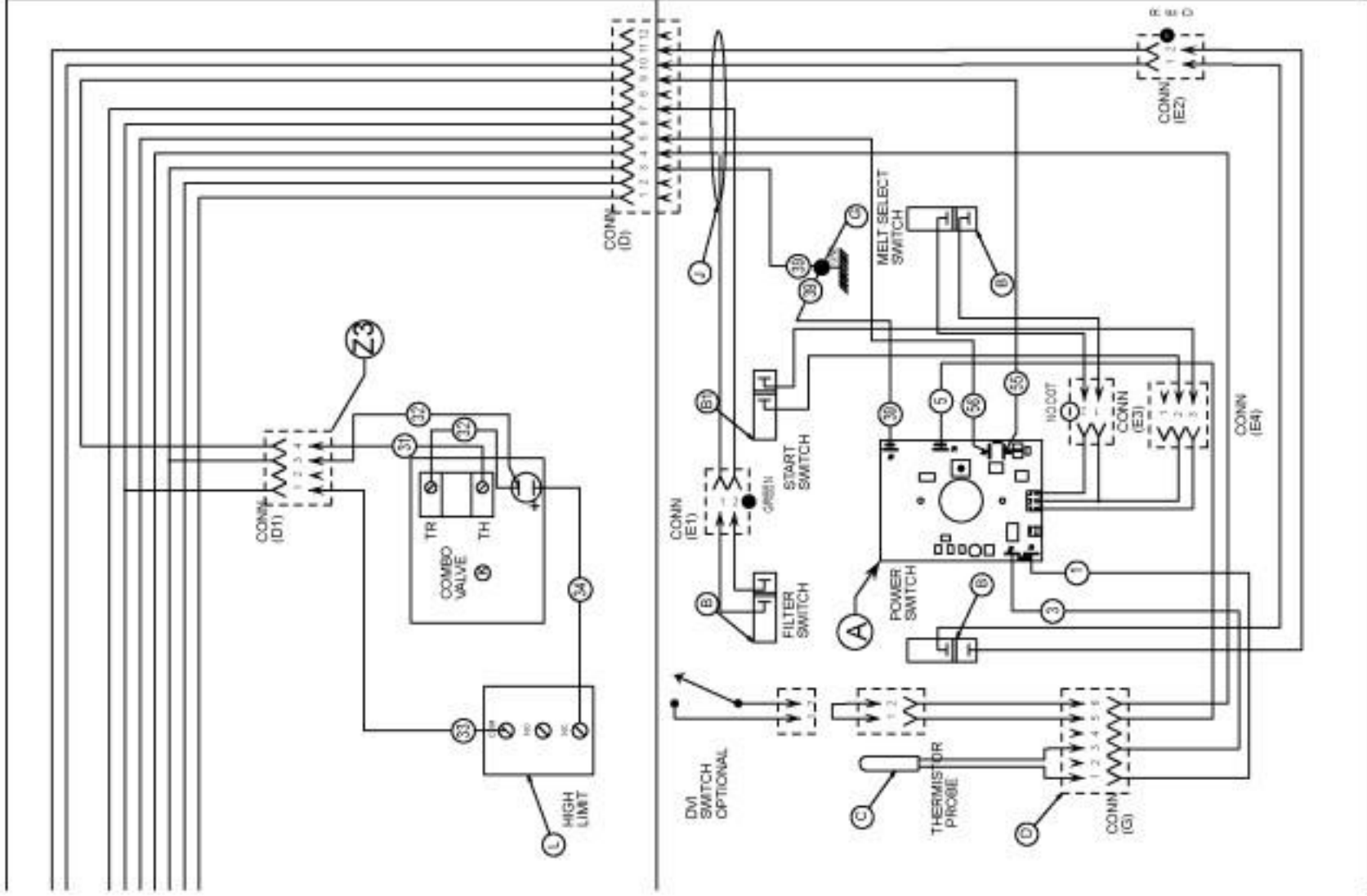
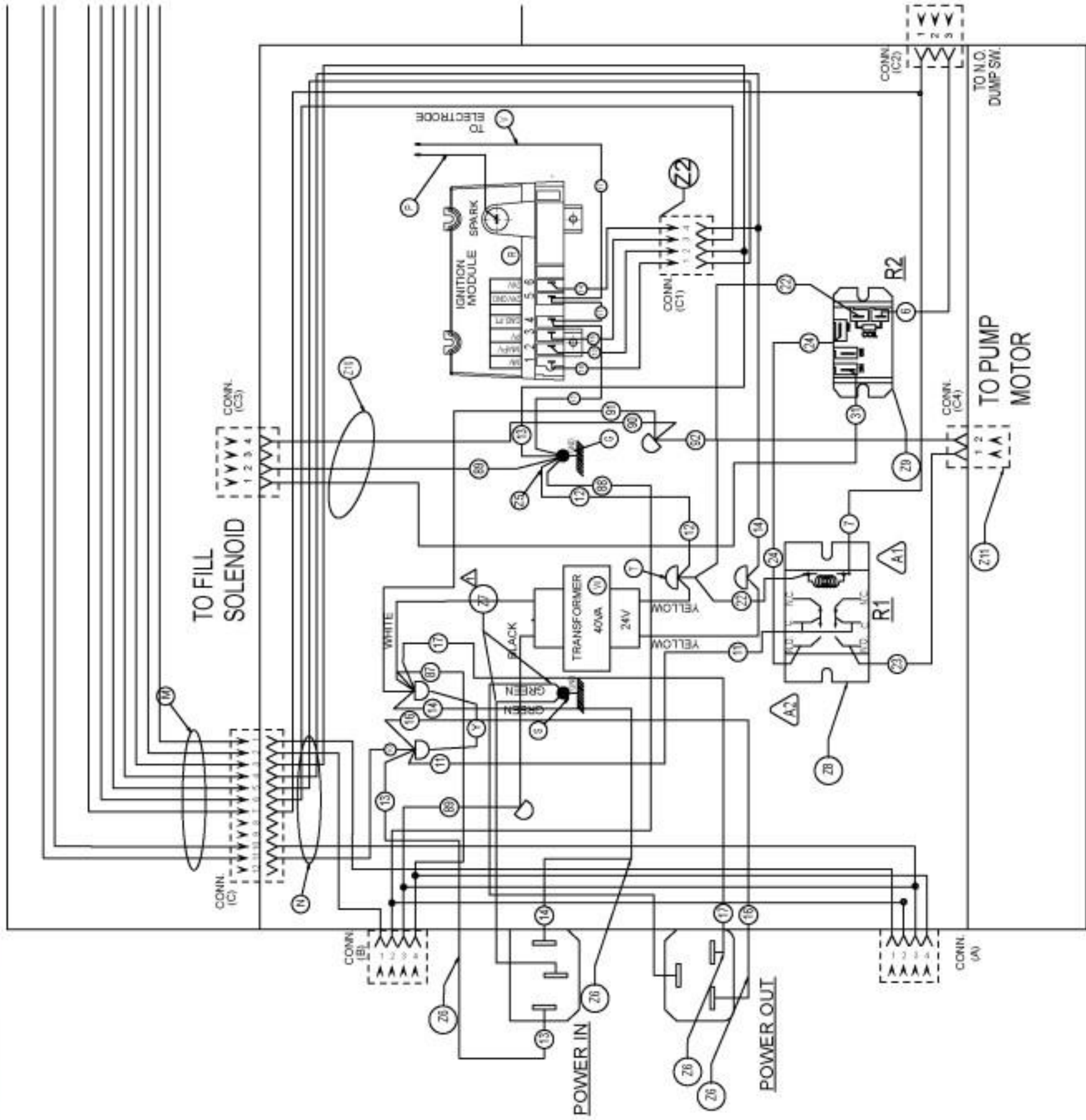


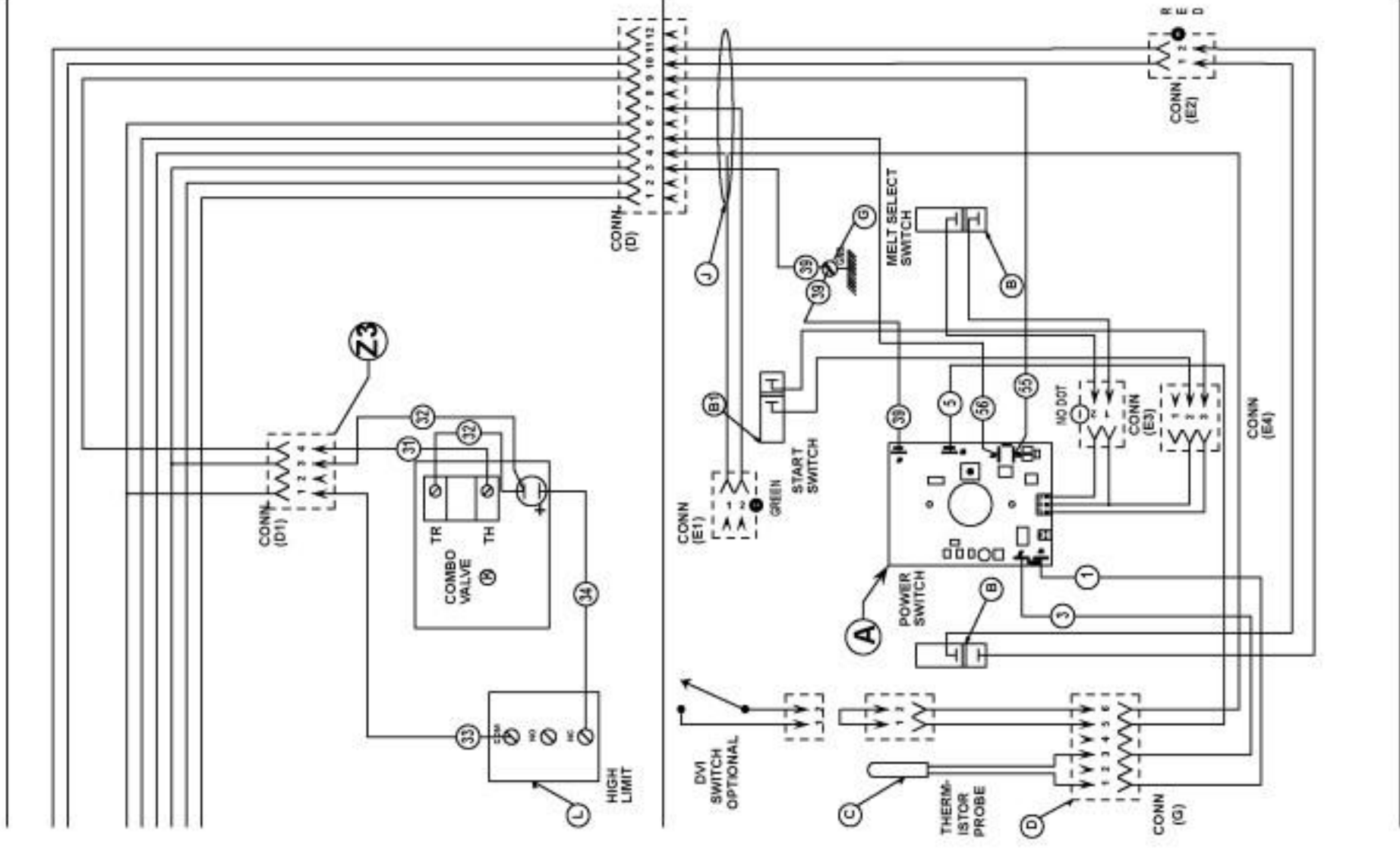
1	Z11	HARNESS, MOTOR CONNECT
1	Z10	HARNESS, SOLENOID CONNECT
1	Z9	RELAY SPST 24 VAC COIL
1	Z8	RELAY 1 HP 120 VOLT
2	Z7	WIRE ASSEMBLY (GREEN)
4	Z6	WIRE ASSEMBLY [13,14,16,17]
1	Z5	WIRE ASSEMBLY [12]
1	Z3	MANFOLD HARNESS
1	Z2	HARNESS-IGNITION MODULE
1	Z1	OPTIONAL FILTER SUPPLY CORD
2	Y	WIRE NUT YELLOW
1	W	24V 40VA TRANSFORMER 120 VOLT 240 VOLT
1	V	LEAD ASSEMBLY [17]
3	T	WIRE NUT
1	S	GROUND LUG
1	R	IGNITION MODULE
1	P	IGNITOR CABLE
1	N	POWER HARNESS
1	M	MAIN HARNESS
1	L	H-LIMIT
1	K	COMBO VALVE NAT LP
1	J	INTERFACE HARNESS
2	G	TERMINAL, STATIONARY
1	D	D.V.I. HARNESS ASSEMBLY
1	C	THERMISTOR
1	B1	ROCKER SWITCH ASSEMBLY-MOM
3	B	ROCKER SWITCH ASSEMBLY
1	A	MCC CONTROL

**DERIVED FROM
956751-2 REV. B**

AI 2732

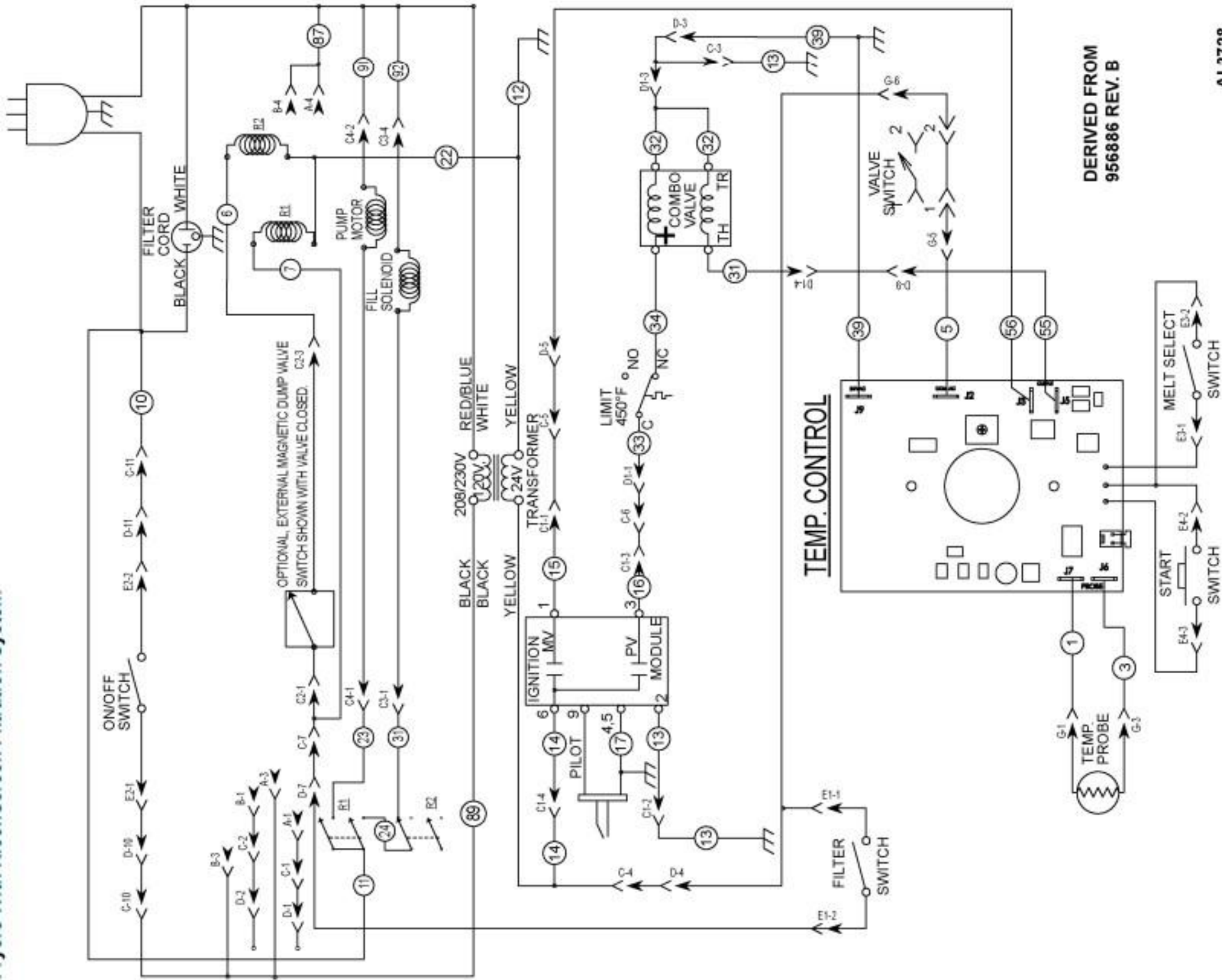






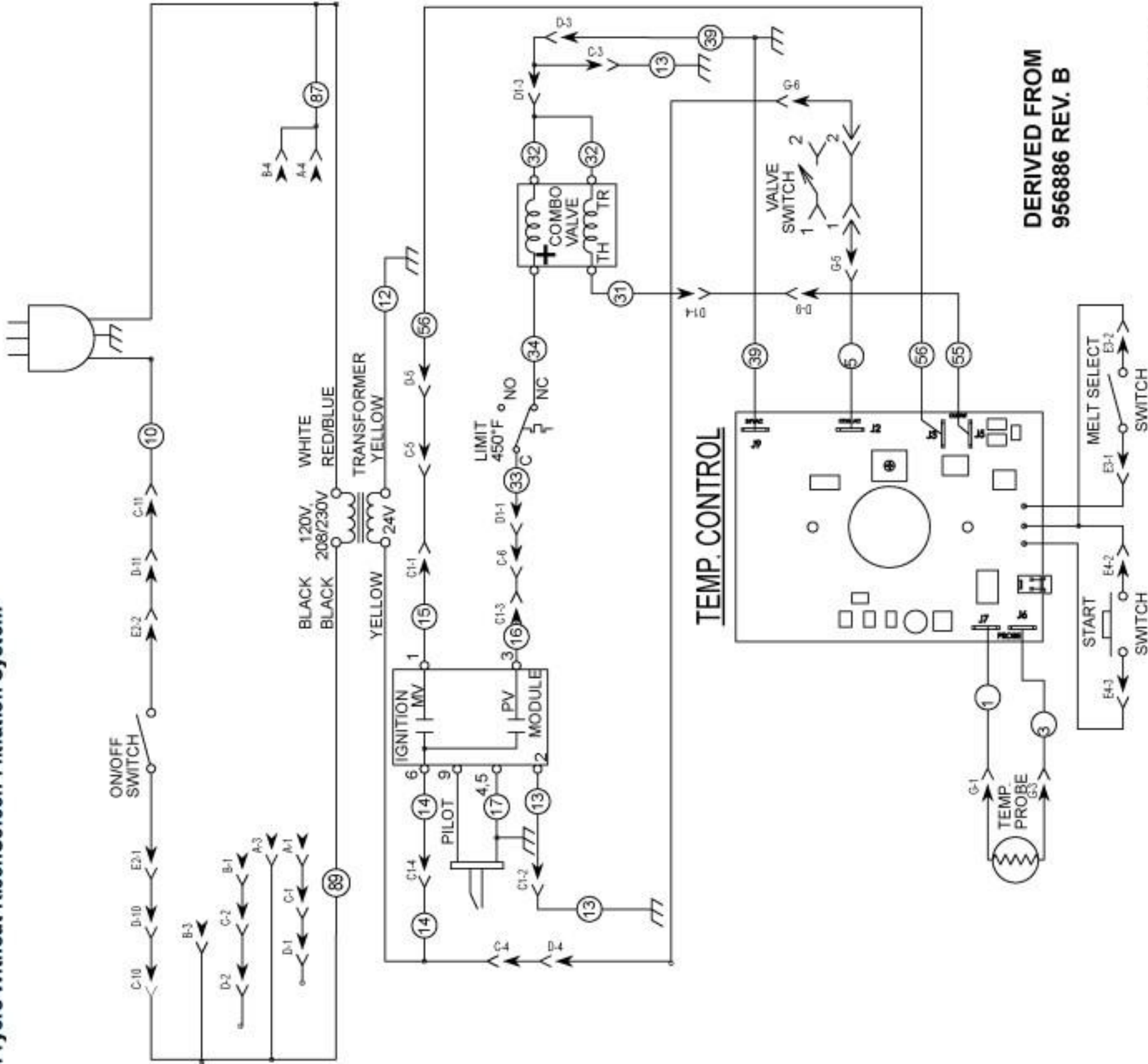
2	Z7	WIRE ASSEMBLY (GREEN)	-
4	Z6	WIRE ASSEMBLY [13,14,16,17]	-
1	Z5	WIRE ASSEMBLY [12]	-
1	Z3	MANIFOLD HARNESS	-
1	Z2	HARNESS-IGNITION MODULE	-
1	Z1	OPTIONAL FILTER SUPPLY CORD	-
2	Y	WIRE NUT YELLOW	-
1	W	24V 40VA TRANSFORMER	120 VOLT 240 VOLT
1	V	LEAD ASSEMBLY [17]	-
3	T	WIRE NUT	-
1	S	GROUND LUG	-
1	R	IGNITION MODULE	-
1	P	IGNITOR CABLE	-
1	N	POWER HARNESS	-
1	M	MAIN HARNESS	-
1	L	HI-LIMIT	-
1	K	COMBO VALVE	NAT LP
1	J	INTERFACE HARNESS	-
2	G	TERMINAL, STATIONARY	-
1	D	D.V.I. HARNESS ASSEMBLY	-
1	C	THERMISTOR	-
1	B1	ROCKER SWITCH ASSEMBLY-NOM.	-
2	B	ROCKER SWITCH ASSEMBLY	-
1	A	NCC CONTROL	-

DERIVED FROM
956751-1 REV. B



DERIVED FROM
956886 REV. B

Fryers Without KleenScreen Filtration System



DERIVED FROM
956886 REV. B