

VULCAN

CATALOG OF REPLACEMENT PARTS

HGB SERIES CHARBROILERS

PRIOR MLS

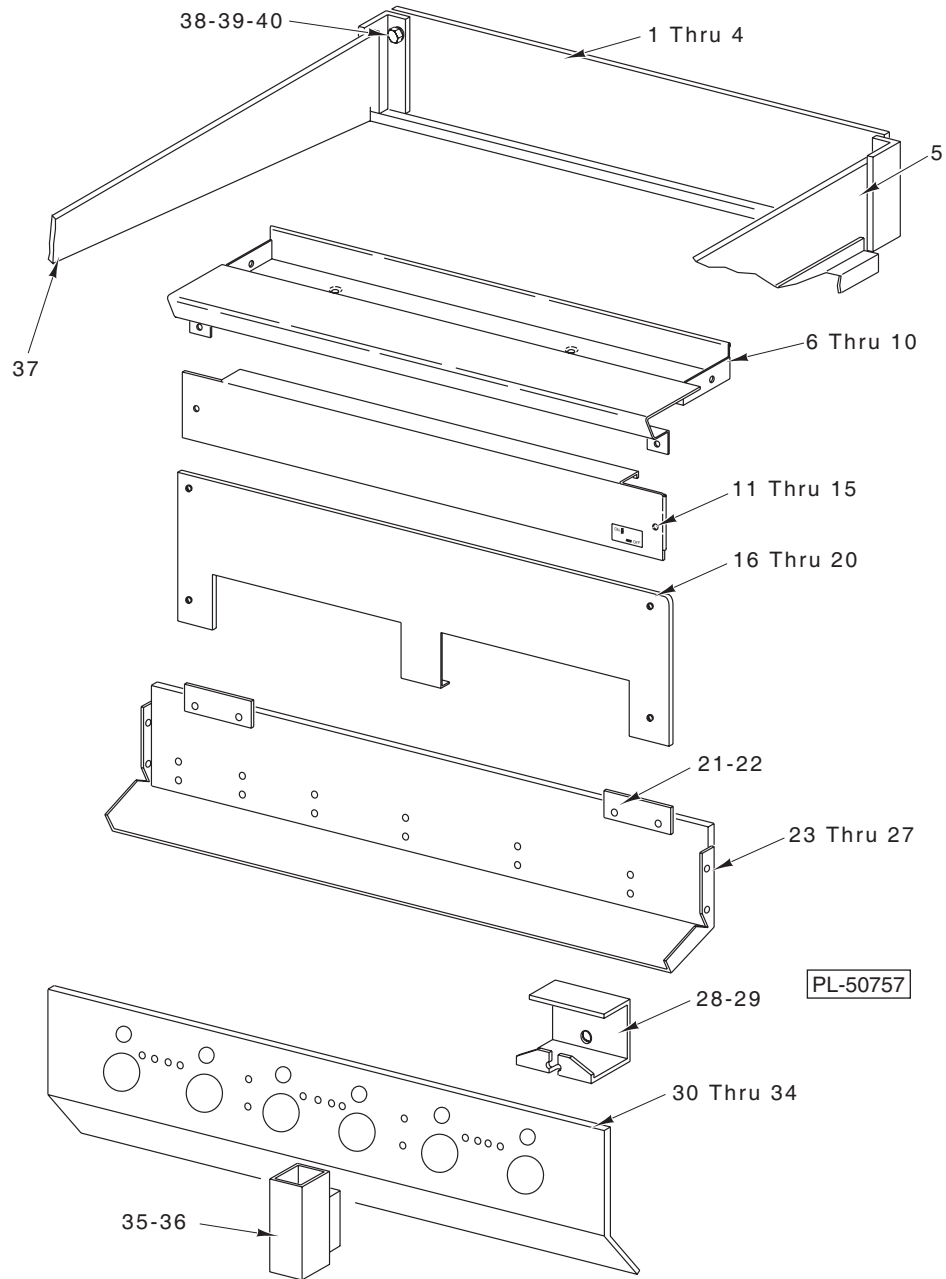
HGB34	ML-27850
HGB34M	ML-27885
HGB50	ML-27851
HGB50M	ML-27886
HGB60	ML-27852
HGB60M	ML-27887
HGB71	ML-27853
HGB71M	ML-27888

CURRENT MODELS

HGB34	ML-135520
HGB34M	ML-135524
HGB50	ML-135521
HGB50M	ML-135525
HGB60	ML-135522
HGB71	ML-135523



For additional information on Vulcan-Hart or to locate an authorized parts and service provider in your area, visit our website at www.vulcanhart.com

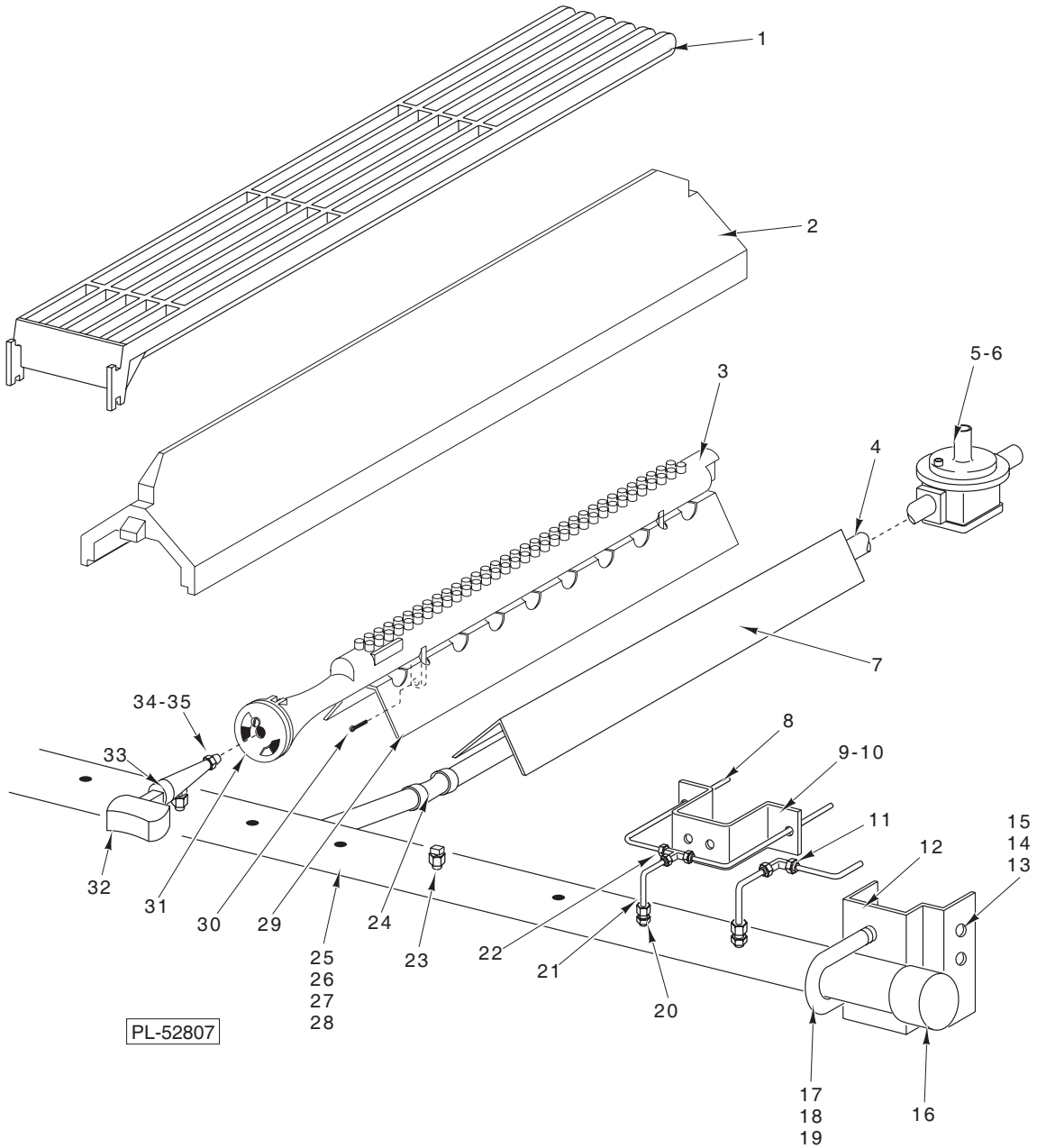


PANEL

PANEL

ILLUS. PL-50757	PART NO.	NAME OF PART	AMT.
1	00-812013-00005	Back - Back Splash (HGB 34)	1
2	00-812013-00001	Back - Back Splash (HGB 50)(Optional)	1
3	00-812013-00002	Back - Back Splash (HGB 60)(Optional)	1
4	00-812013-00003	Back - Back Splash (HGB 71)	1
5	00-812019-00001	Side Splash Assy.(R.H.)	1
6	00-811990-00010	Front Top Assy. (HGB 34)	1
7	00-811990-00001	Front Top Assy. (HGB 50)	1
8	00-811990-00002	Front Top Assy. (HGB 60)	1
9	00-811990-00003	Front Top Assy. (HGB 71)	1
10	SD-022-48	Self-Tapping Screw 10-16 x 1/2 Pan Hd., Type AB	2
11	00-811993-00005	Panel - Upper (HGB 34)	1
12	00-811993-00001	Panel - Upper (HGB 50)	1
13	00-811993-00002	Panel - Upper (HGB 60)	1
14	00-811993-00003	Panel - Upper (HGB 71)	1
15	SD-022-48	Self-Tapping Screw 10-16 x 1/2 Pan Hd., Type AB	2
16	00-811992-00005	Panel - Lower (HGB 34)	1
17	00-811992-00001	Panel - Lower (HGB 50)	1
18	00-811992-00002	Panel - Lower (HGB 60)	1
19	00-811992-00003	Panel - Lower (HGB 71)	1
20	SD-022-48	Self-Tapping Screw 10-16 x 1/2 Pan Hd., Type AB	4
21	00-812023	Plate - Grate Stop	2
22	SD-022-48	Self-Tapping Screw 10-16 x 1/2 Pan Hd., Type AB	4
23	00-811984-00010	Burner Box Back Assy. (HGB 34)	1
24	00-811984-00001	Burner Box Back Assy. (HGB 50)	1
25	00-811984-00002	Burner Box Back Assy. (HGB 60)	1
26	00-811984-00003	Burner Box Back Assy. (HGB 71)	1
27	SD-022-48	Self-Tapping Screw 10-16 x 1/2 Pan Hd., Type AB	4
28	00-811687	Support - Burner	6
29	SC-018-11	Mach. Screw 10-24 x 3/8 Pan Hd.	12
30	00-811985-00005	Front - Burner Box (HGB 34)	1
31	00-811985-00001	Front - Burner Box (HGB 50)	1
32	00-811985-00002	Front - Burner Box (HGB 60)	1
33	00-811985-00003	Front - Burner Box (HGB 71)	1
34	SD-022-48	Self-Tapping Screw 10-16 x 1/2 Pan Hd., Type AB	4
35	00-811988-00001	Grease Tube Assy.	2
36	SC-018-11	Mach. Screw 10-24 x 3/8 Pan Hd.	4
37	00-812019-00002	Side Splash Assy.(L.H.)	1
38	SD-037-70	Shoulder Bolt 1/4-20	2
39	WL-003-39	Lockwasher 1/4 Light	2
40	NS-013-02	Full Nut 1/4-20 Hex	2

*Note: Quantities listed are for model HGB 34, unless otherwise noted.
Quantities for other models may vary.



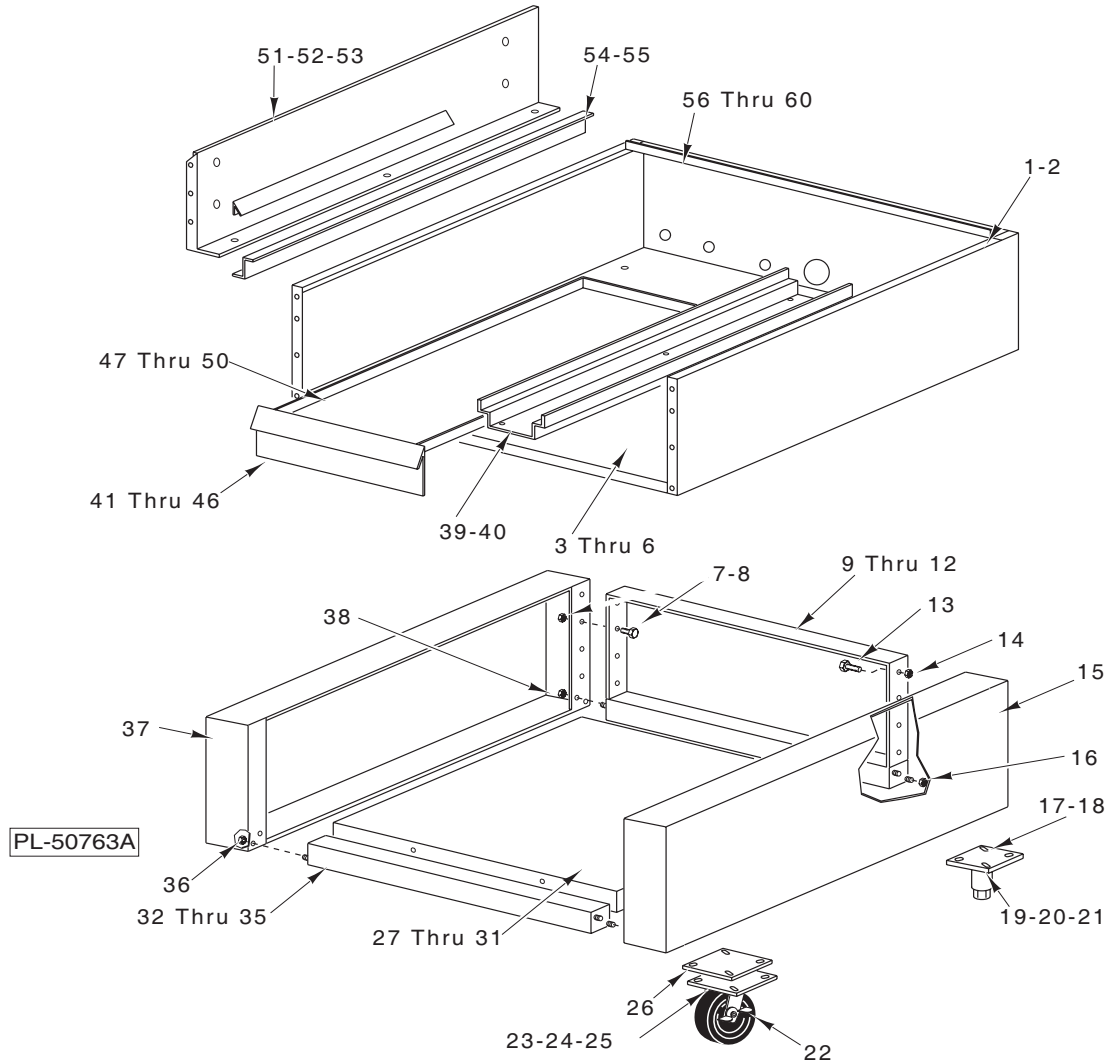
GAS COMPONENTS

GAS COMPONENTS

ILLUS. PL-52807	PART NO.	NAME OF PART	AMT.
1	00-412852-00001	Grate - Top	6
2	00-410602-00001	Radiant - Burner	6
3	00-410600-000G2	Burner (Incls. item 31)	6
4	00-159757-00048	Pipe - Feed (1 ¹ / ₄ x 27 ¹ / ₂)	1
5	00-408279-00012	Regulator - Pressure (6.0 Outlet Pressure) (Natural)	1
6	00-408279-00013	Regulator - Pressure (10.0 Outlet Pressure) (Propane)	1
7	00-812016	Cover - Center Guide	1
8	00-410607-000G1	Tube - Pilot (with tip)	6
9	00-812021	Support - Pilot	3
10	SD-022-48	Self-Tapping Screw 10-16 x 1 ¹ / ₂ Pan Hd., Type AB	6
11	FP-047-22	Elbow - Compression (HGB 50)	1
12	00-812020	Bracket - Manifold	2
13	SC-036-14	Cap Screw 1 ¹ / ₄ -20 x 1 ¹ / ₂ Hex Hd.	4
14	WS-022-21	Washer	4
15	WL-003-39	Lockwasher 1 ¹ / ₄ Light	4
16	FP-029-23	Cap - Pipe	2
17	00-812043-00002	Clamp - Manifold	2
18	NS-013-14	Full Nut 5 ¹ / ₁₆ -18 Hex	4
19	WL-003-41	Lockwasher 5 ¹ / ₁₆ Light	4
20	00-404738-00003	Valve - Pilot (Single)	3
21	00-812022	Tubing - Pilot	3
22	FP-081-74	Tee 1 ¹ / ₄ x 1 ¹ / ₄ x 1 ¹ / ₄	3
23	FP-028-45	Plug - Pipe	1
24	FP-013-30	Elbow 45 Deg. x 1 ¹ / ₄	1
25	00-812605-00005	Manifold Pipe Assy. (HGB 34)	1
26	00-812605-00004	Manifold Pipe Assy. (HGB 50)	1
27	00-812605-00003	Manifold Pipe Assy. (HGB 60)	1
28	00-812605-00002	Manifold Pipe Assy. (HGB 71)	1
29	00-410601-00001	Plate - Burner Baffle	6
30	PC-003-56	Cotter Pin 1 ¹ / ₈ x 1	12
31	00-404060-00001	Shutter - Air	6
32	00-413157-00001	Handle - Valve	6
33	00-812041-00001	Valve - On/Off	6
34	00-418051-00051	Hood (Natural)	1
35	00-418051-00057	Hood (Propane)	1
	00-710412	Brush W/Scraper	1

*Note: Quantities listed are for model HGB34, unless otherwise noted.
Quantities for other models may vary.

HGB SERIES CHARBROILERS REPLACEMENT PARTS



BASE

ILLUS.	PART NO.	NAME OF PART	AMT.
	PL-50763A		
1	00-811981-00002	Side-Main (Stainless Steel)	2
2	SD-022-48	Self-Tapping Screw 10-16 x 1/2 Pan Hd., Type AB	2
3	00-811980-00005	Bottom - Body (HGB 34)	1
4	00-811980-00001	Bottom - Body (HGB 50)	1
5	00-811980-00002	Bottom - Body (HGB 60)	1
6	00-811980-00003	Bottom - Body (HGB 71)	1
7	SC-041-05	Cap Screw 1/4-20 x 5/8 Hex Hd.	4
8	NS-031-19	Stop Nut 1/4-20 "Elastic" SST	4
9	00-163715-00010	Back Assy. (SST)(HGB 34)	1
10	00-163715-00005	Back Assy. (SST)(HGB 50)	1
11	00-163715-00006	Back Assy. (SST)(HGB 60)	1
12	00-163715-00007	Back Assy. (SST)(HGB 71)	1
13	SC-041-05	Cap Screw 1/4-20 x 5/8 Hex Hd.	4
14	NS-031-19	Stop Nut 1/4-20 "Elastic" SST	4

BASE (Cont.)

ILLUS. PL-50763A	PART NO.	NAME OF PART	AMT.
15	00-811977-00002	Side-Right (SST)	1
16	NS-032-35	Stop Nut ⁵ / ₁₆ -18 "Flexloc"	2
17	00-413112-00001	Adjustable Leg Assy. (Painted) (6")	4
18	00-413112-00012	Ajustable Leg Assy. (SST) (6")	4
19	SD-037-70	Screw ¹ / ₄ -20 x ¹ / ₂ "	16
20	WS-017-06	Washer	16
21	NS-046-52	Nut ¹ / ₄ -20 Hex	16
22	00-812080-00002	Caster - Swivel & Brake (4 Dia)	AR
23	SD-037-70	Screw ¹ / ₄ -20 x ¹ / ₂ "	16
24	WS-017-06	Washer	16
25	NS-046-52	Nut ¹ / ₄ -20 Hex	16
26	00-812012	Plate - Shim	AR
27	00-812641-00001	Shelf - Cabinet (HGB 34)	1
28	00-812641-00002	Shelf - Cabinet (HGB 50)	1
29	00-812641-00003	Shelf - Cabinet (HGB 60)	1
30	00-812641-00004	Shelf - Cabinet (HGB 71)	1
31	SD-022-48	Self-Tapping Screw 10-16 x ¹ / ₂ Pan Hd., Type AB	8
32	00-163714-00010	Brace Assy. (HGB 34)	1
33	00-163714-00005	Brace Assy. (HGB 50)	1
34	00-163714-00006	Brace Assy. (HGB 60)	1
35	00-163714-00007	Brace Assy. (HGB 71)	1
36	NS-032-35	Stop Nut ⁵ / ₁₆ -18 "Flexloc"	4
37	00-811977-00004	Side-Left (SST)	1
38	NS-032-35	Stop Nut ⁵ / ₁₆ -18 "Flexloc"	2
39	00-812015	Guide - Center Tray	1
40	SD-022-48	Self-Tapping Screw 10-16 x ¹ / ₂ Pan Hd., Type AB	1
41	00-811987-00005	Handle - Grease Tray (HGB 34)	2
42	00-811987-00001	Handle - Grease Tray (HGB 50)	2
43	00-811987-00002	Handle - Grease Tray (HGB 60)	2
44	00-811987-00003	Handle - Grease Tray (HGB 71)	2
45	SC-018-11	Mach. Screw 10-24 x ³ / ₈ Pan Hd.	4
46	NS-027-03	Nut - Crown 10-24 (Brass)	4
47	00-811986-00005	Tray - Grease (HGB 34)	2
48	00-811986-00001	Tray - Grease (HGB 50)	2
49	00-811986-00002	Tray - Grease (HGB 60)	2
50	00-811986-00003	Tray - Grease (HGB 71)	2
51	00-811982-00003	Burner Box Side Assy.(R.H.)	1
52	00-811982-00004	Burner Box Side Assy.(L.H.)	1
53	SD-022-48	Self-Tapping Screw 10-16 x ¹ / ₂ Pan Hd., Type AB	2
54	00-812079	Guide - Grease Tray	2
55	SD-022-48	Self-Tapping Screw 10-16 x ¹ / ₂ Pan Hd., Type AB	6
56	00-811983-00005	Back - Main (HGB 34)	1
57	00-811983-00001	Back - Main (HGB 50)	1
58	00-811983-00002	Back - Main (HGB 60)	1
59	00-811983-00003	Back - Main (HGB 71)	1
60	SD-022-48	Self-Tapping Screw 10-16 x ¹ / ₂ Pan Hd., Type AB	8

*Note: Quantities listed are for model HGB34, unless otherwise noted.
Quantities for other models may vary.

RECOMMENDED SPARE PARTS

PART NO.	NAME OF PART	AMT.
00-412852-00001	Grate - Top	2
00-408279-00012	Regulator (Nat. Gas)	1
00-408279-00013	Regulator (LP Gas)	1
00-410607-000G1	Pilot Assembly	2
00-404738-00003	Single Pilot Valve	2
00-812041-00001	ON/OFF Burner Valve	2
00-410600-000G2	Burner Assembly	2
00-410602-00001	Burner Radiant (Cast Iron)	2
00-413157-00001	ON/OFF Valve Handle	2