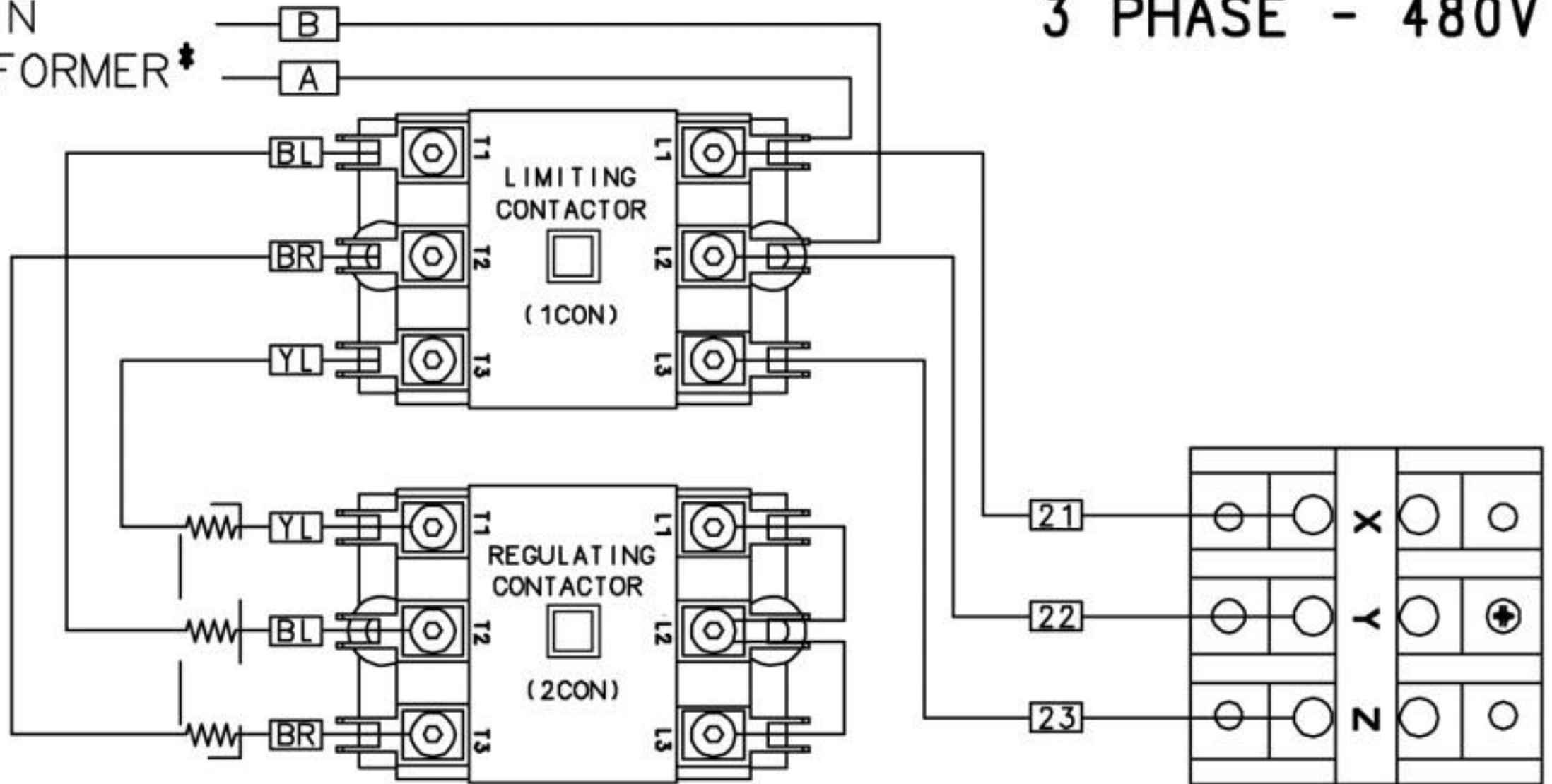


FROM

TO MAIN  
TRANSFORMER\*

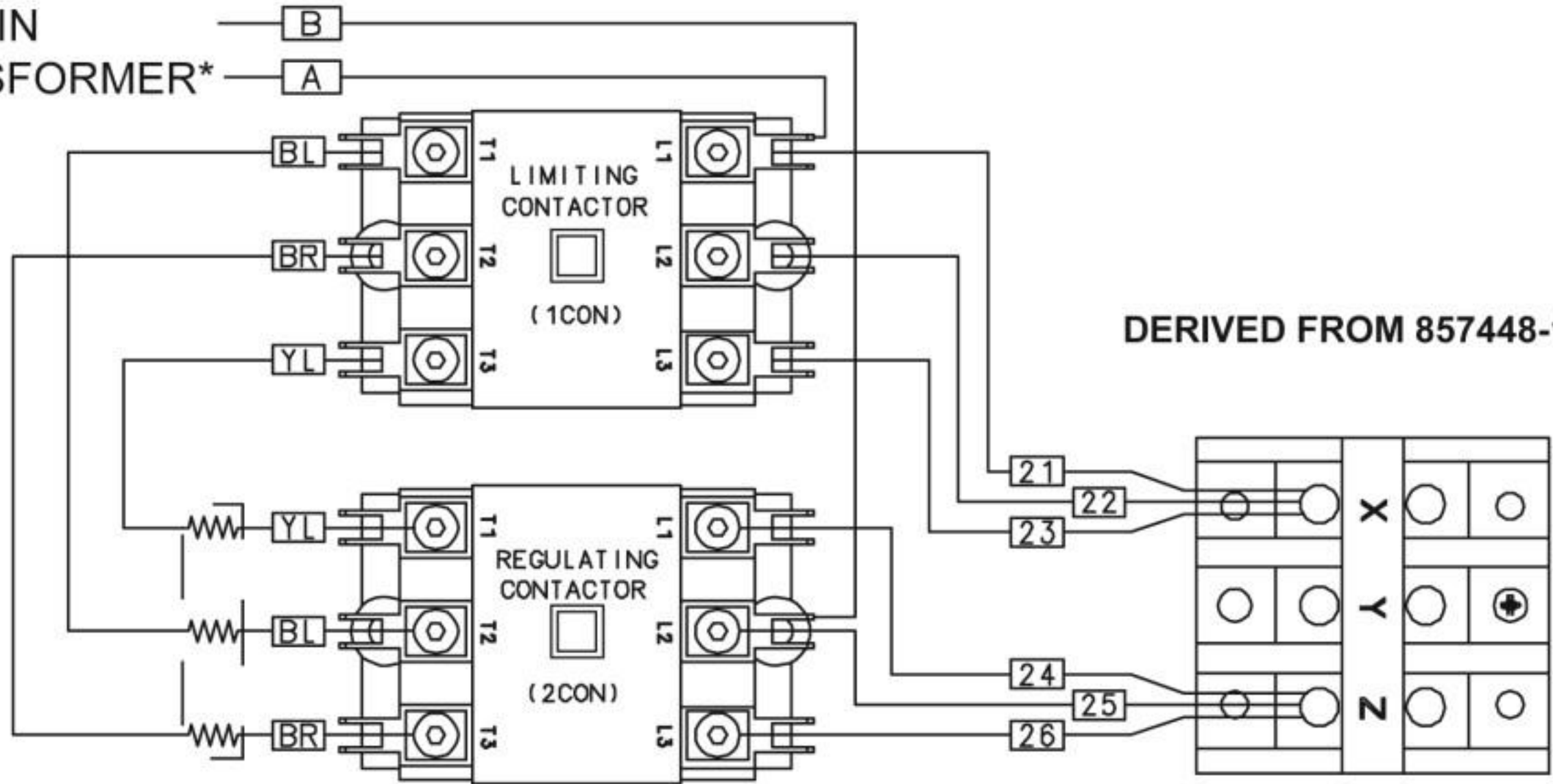
3 PHASE - 480V



\* MAIN TRANSFORMER PRIMARY MUST BE CONNECTED ACCORDING TO THE KETTLE DATA PLATE VOLTAGE AND THE ACTUAL VOLTAGE SUPPLY

208/240V - 1 PHASE

TO MAIN  
TRANSFORMER\*



DERIVED FROM 857448-1

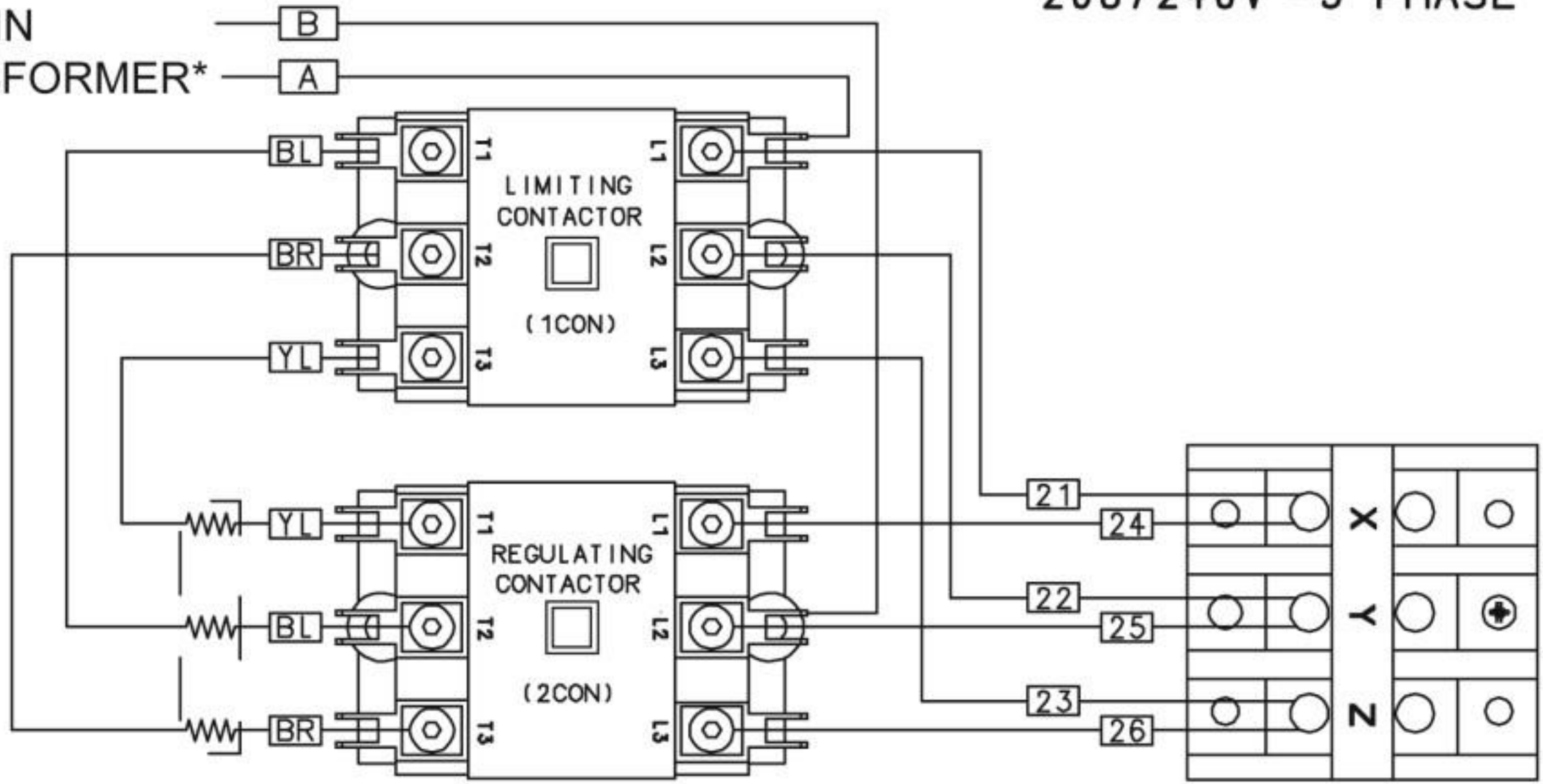
\* MAIN TRANSFORMER PRIMARY MUST BE CONNECTED ACCORDING TO THE KETLE DATA PLATE VOLTAGE AND THE ACTUAL VOLTAGE SUPPLY

MODELS - K6ETT, K12ETT AND K20ETT

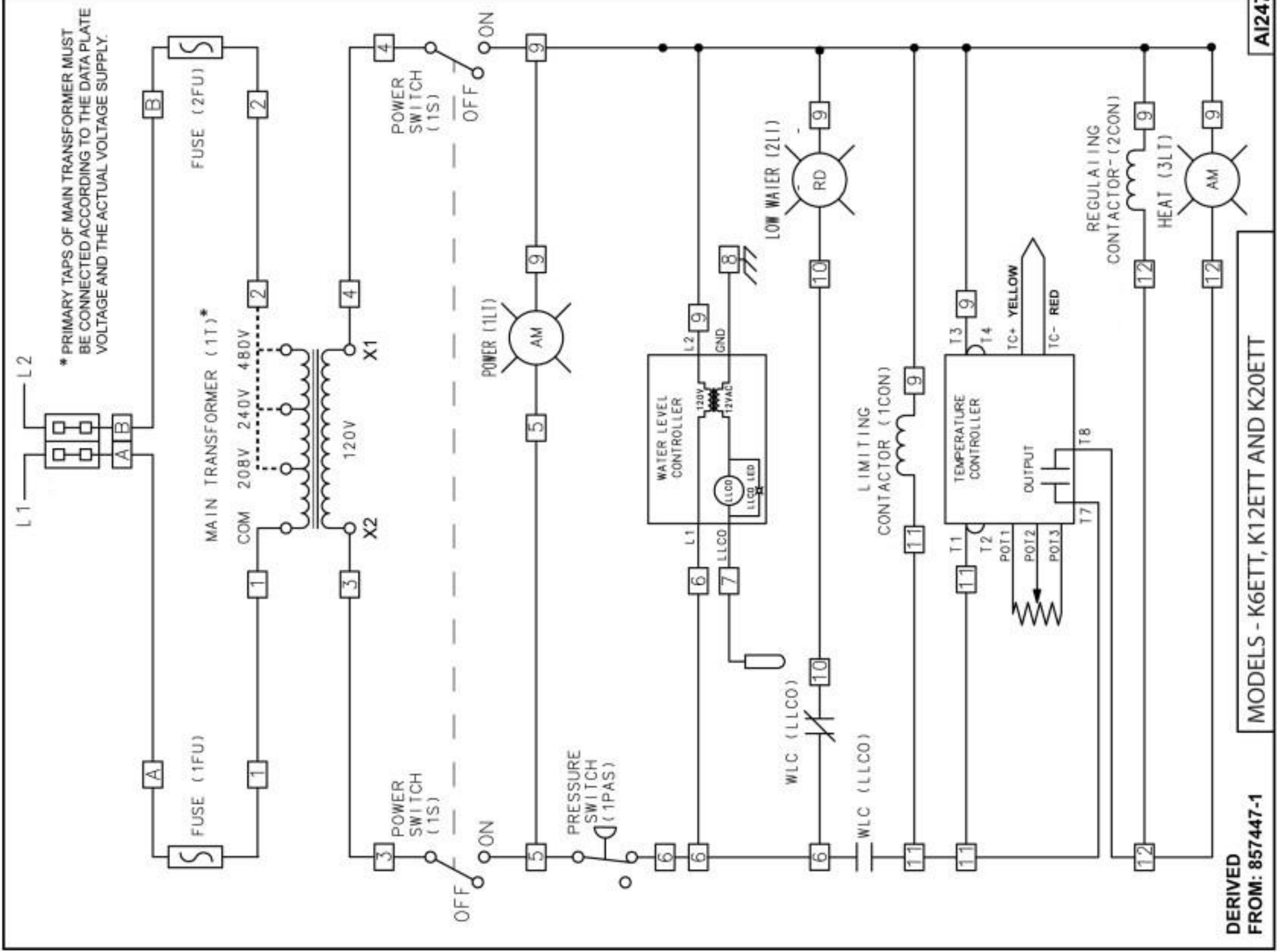
AI2475

208/240V - 3 PHASE

TO MAIN  
TRANSFORMER\*



# SCHEMATIC DIAGRAM



DERIVED FROM: 857447-1

MODELS - K6ETT, K12ETT AND K20ETT

Fig. 39

# WATER LEVEL CONTROL (WLC LLCO)

