

# ELECTRICAL OPERATION

## ELECTRICAL DIAGRAM

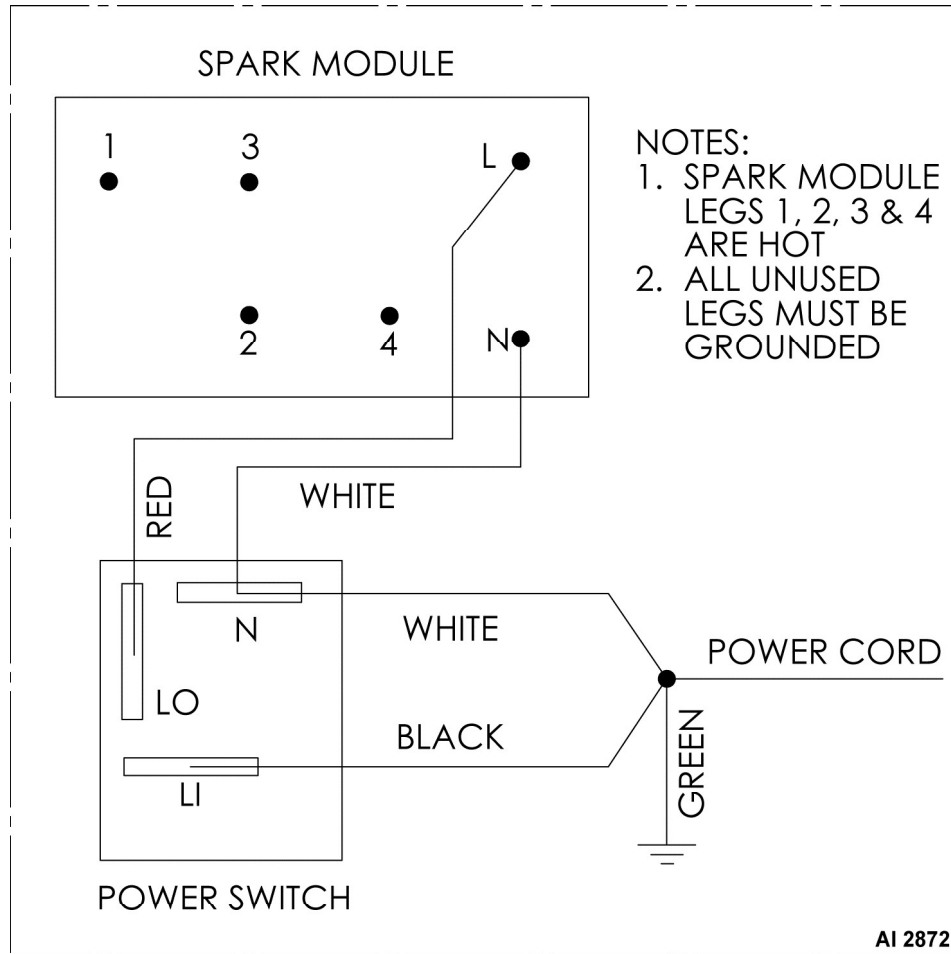


Fig. 30