

VULCAN

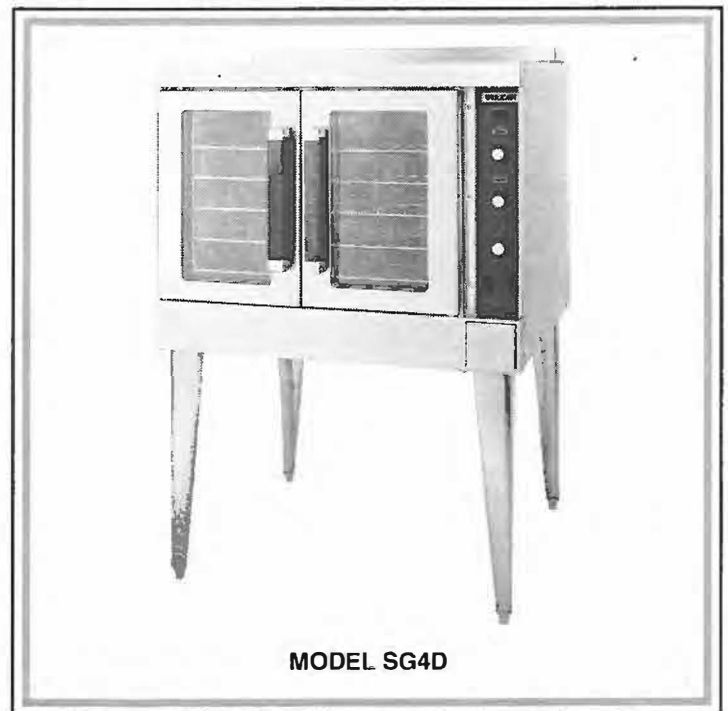
CATALOG OF REPLACEMENT PARTS

SG SERIES GAS SNORKEL CONVECTION OVENS MODELS SG4D, SG4C, SG6D, SG6C

MODEL

SG4D	ML-114875
SG4C	ML-114876
SG6D	ML-114877
SG6C	ML-114878

THIS CATALOG COVERS THE ABOVE
ML MODELS MANUFACTURED PRIOR
TO AUGUST 6, 2004.



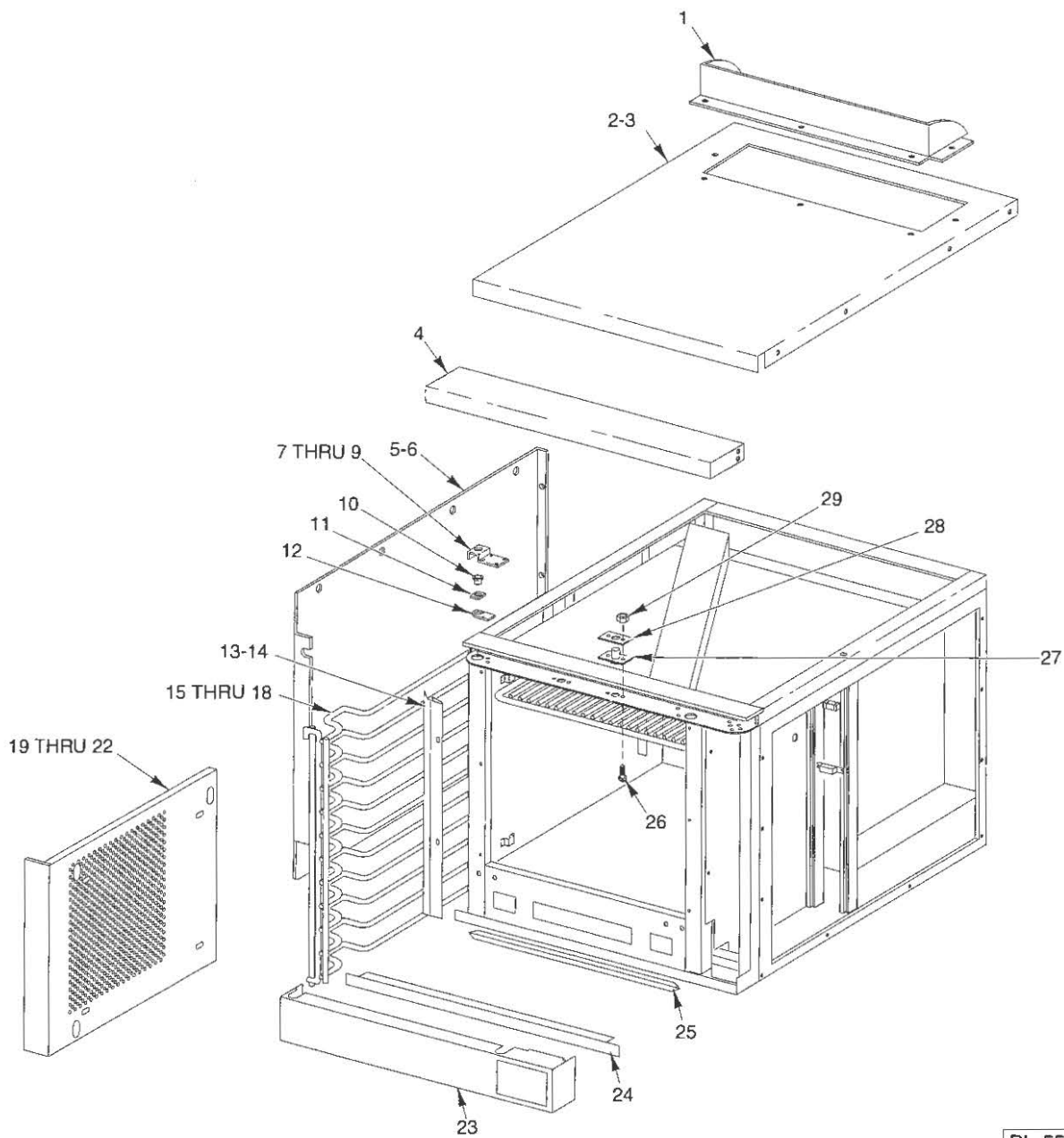
For additional information on Vulcan-Hart or to locate an authorized parts and service provider in your area, visit our website at www.vulcanhart.com

VULCAN-HART
DIVISION OF ITW FOOD EQUIPMENT GROUP, LLC

P.O. BOX 696, LOUISVILLE, KY 40201-0696
TEL. (502) 778-2791

WWW.VULCANHART.COM

FORM 31166 Rev B (03/22)

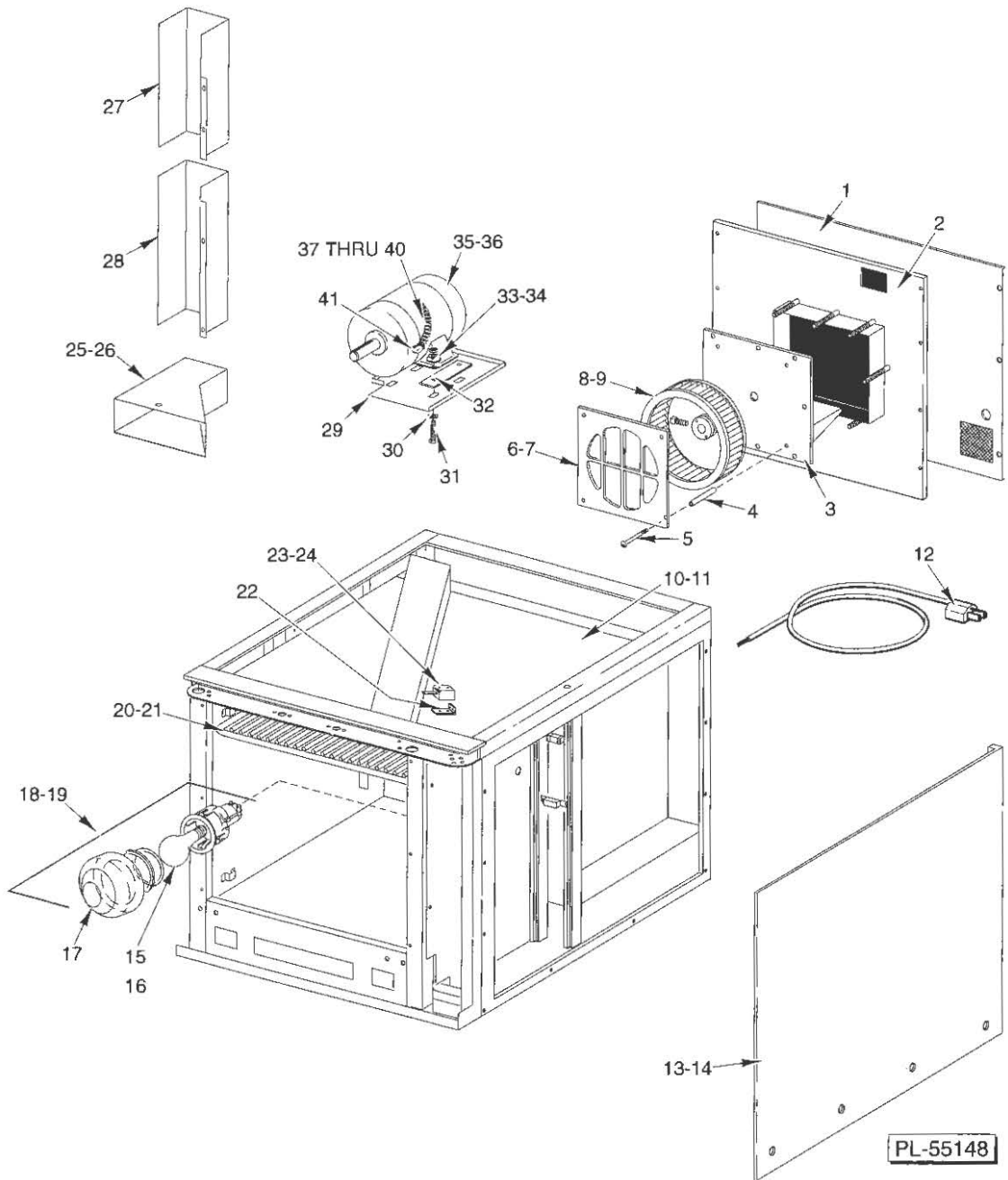


PL-55147

OVEN PANELS

OVEN PANELS

ILLUS. PL-55147	PART NO.	NAME OF PART	AMT.
1	00-423815-00001	Guard - Vent	1
2	00-421800-00001	Top - Cover Panel (SG4)	1
3	00-423683-00001	Top - Cover Panel (SG6)	1
4	00-421799-00001	Top - Front	1
5	00-421802-00001	Panel - Outer (LH SG4)	1
6	00-423685-00001	Panel - Outer (LH SG6)	1
7	00-353484-00001	Plate - Retainer	2
8	SC-053-41	Mach. Screw 1/4-20 x 1/2 Truss Hd. SST	4
9	NS-038-08	Lock Nut 1/4-20 x 1 Hex Hd.	4
10	00-347080-00002	Bearing - Door Shaft	2
11	00-353482-00001	Spacer	2
12	00-353483-00001	Plate - Upper Door Bearing	2
13	00-423842-000G1	Door Seal - Sides	2
14	00-357507-00001	Door Seal - Horizontal	2
**	00-357837-00001	Door Seal - End	1
15	00-423676-00001	Rack - Support (SG4) (RH)	1
16	00-423676-00002	Rack - Support (SG4) (LH)	1
17	00-423676-00003	Rack - Support (SG6) (RH)	1
18	00-423676-00004	Rack - Support (SG6) (LH)	1
19	00-423183-00001	Liner - Side (SG4) (RH)	1
20	00-423183-00001	Liner - Side (SG4) (LH)	1
21	00-423682-00001	Liner - Side (SG6) (RH)	1
22	00-423682-00001	Liner - Side (SG6) (LH)	1
23	00-423766-000G1	Trim - Bottom W/Access Door Assy.	1
**	00-425199-00001	Nylon Door Hinge Pin	2
24	00-424865-00001	Cover - Trim	1
25	00-357507-00001	Seal - Door (30 1/2 Long)	1
26	SC-115-51	Mach. Screw - 10-32 x 1/2 Phil. Truss Hd.	4
27	00-347545-00001	Door Catch Assy.	2
**	00-423014-000G1	Door Catch Kit (For both doors)	1
28	00-347545-00002	Plate	2
29	NS-038-03	Locknut, SP 10-32	4
**	00-357145-00002	Leg Assembly - 25 3/4" High	1
**	00-357146-00002	Leg Assembly - 25 3/4" High	1
**	00-423759	Leg and Stack Set Accessories	1
**	00-423769	Caster and Stack Set Accessories	1
**	00-423811-000G1	Open Stand W/Legs (SG4)	1
**	00-423811-000G2	Open Stand W/Casters (SG4)	1
**	00-423811-000G3	Open Stand W/Legs (SG6)	1
**	00-423811-000G4	Open Stand W/Casters (SG6)	1
**		NOT SHOWN	

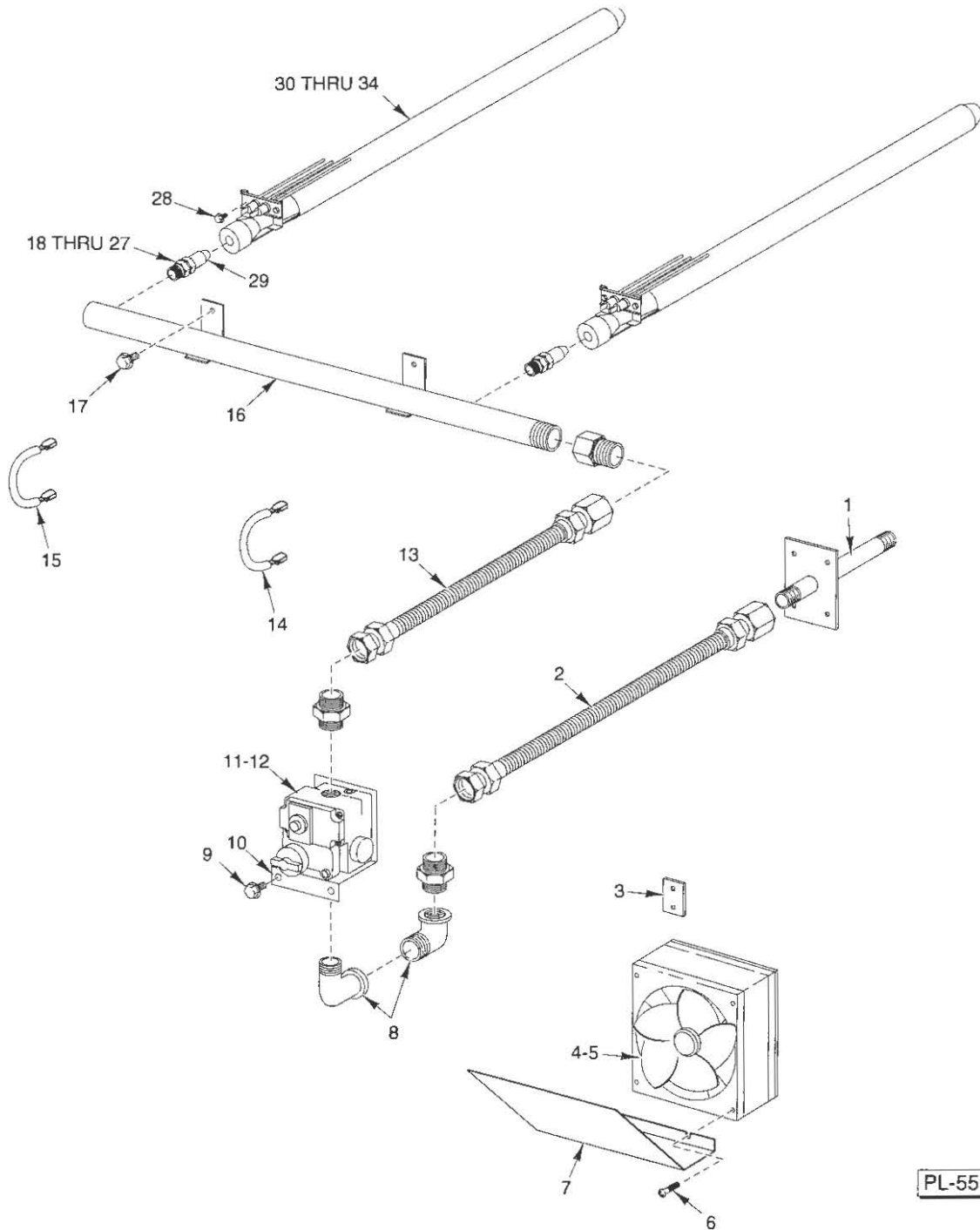


PL-55148

OVEN PANELS AND BLOWER-MOTOR

OVEN PANELS AND BLOWER-MOTOR

ILLUS. PL-55148	PART NO.	NAME OF PART	AMT.
1	00-421803-00001	Panel - Back Cover	1
2	00-423845-000G1	Back - Inner Cavity Panel	1
3	00-423289-000G1	Motor Mount	1
4	00-411289-00004	Spacer - Fan Housing	4
5	SC-120-15	Mach. Screw 1/4 - 20 x 4 Rd. Hd.	4
6	00-411136-00004	Cover - Fan (60 Hz.)	1
7	00-411136-00003	Cover - Fan (50 Hz.)	1
8	00-415780-00003	Wheel - Blower (60 Hz.)	1
9	00-415780-00005	Wheel - Blower (50 Hz.)	1
10	00-421764-00001	Panel - Top Cavity (SG4)	1
11	00-423673-00001	Panel - Top Cavity (SG6)	1
12	00-405016-00001	Cord - Electric Supply (120V. Only) (Convection Ovens)	1
13	00-421801-00001	Panel - Outer (SG4) (RH)	1
14	00-423684-00001	Panel - Outer (SG6) (RH)	2
15	00-342766-00001	Light Bulb - Oven (40 Watts) (120 V.)	2
16	00-342766-00002	Light Bulb-Oven (240V., 40 Watts)	2
17	00-357036-00003	Lens - Oven Lamp	2
18	00-357036-00001	Oven Lamp Assy. (40 Watt 120 - 130 V.)	2
19	00-357036-00002	Oven Lamp Assy. (40 Watts 250 V.)	2
20	00-411265-00011	Rack Assy. (SG4)	AR
21	00-411265-00010	Rack Assy. (SG6)	AR
22	00-425324-00001	Bracket - Door Switch	1
23	00-411496-000F1	Switch - Micro (Door)(Convection Ovens Only)	1
24	SD-034-47	Self-Tapping Screw 6-32 x 1 Hex Washer Hd., Type T	2
25	00-421809-000G1	Flue Vent Assy.	1
26	SD-034-45	Self-Tapping Screw 6-32 x 3/8 Rd. Hd., Type T	2
27	00-424876-00001	Stacking Flue (Lower) (Part of Stacking Kits)	1
28	00-424875-00001	Stacking Flue (Upper) (Part of Stacking Kits)	1
29	00-345523-00001	Baffle - Motor	1
30	WS-029-46	Washer	4
31	SC-113-65	Cap Screw 5/16-18 x 1 1/4 Hex Hd.	4
32	00-358723-00001	Spacer - Steel	2
33	WS-029-46	Washer	4
34	NS-046-86	Nut Assy. 5/16-18 "KEPS" Hex	4
35	00-358516-00001	Motor 1/3 Hp (2 Speed)(115, 50/60 Hz., 1 Ph.)	1
36	00-358516-00002	Motor 1/3 Hp. (2 Speed)(208-230, 50/60 Hz., 1 Ph.)	1
37	FE-006-05	Lock Nut 1/2	1
38	00-414540-00B35	Conduit 3/8 x 35" Lg. (Convection Ovens Only)	1
39	00-342285-00001	Bushing - Plastic	2
40	FE-002-03	Connector - Conduit 3/8 TS Straight (Convection Ovens Only)	1
41	FE-002-52	Connector - Conduit (90 Deg. - 3/8 Squeeze) (Convection Ovens Only)	1
**	00-423430-000G1	Scoop - Air	1
**	00-413627-000G1	Tube - Snorkel Assembly	1
**	00-346357-00001	Hi-Limit	1
**	00-346358-00002	Hi-Limit Assy.	1
**	NOT SHOWN		



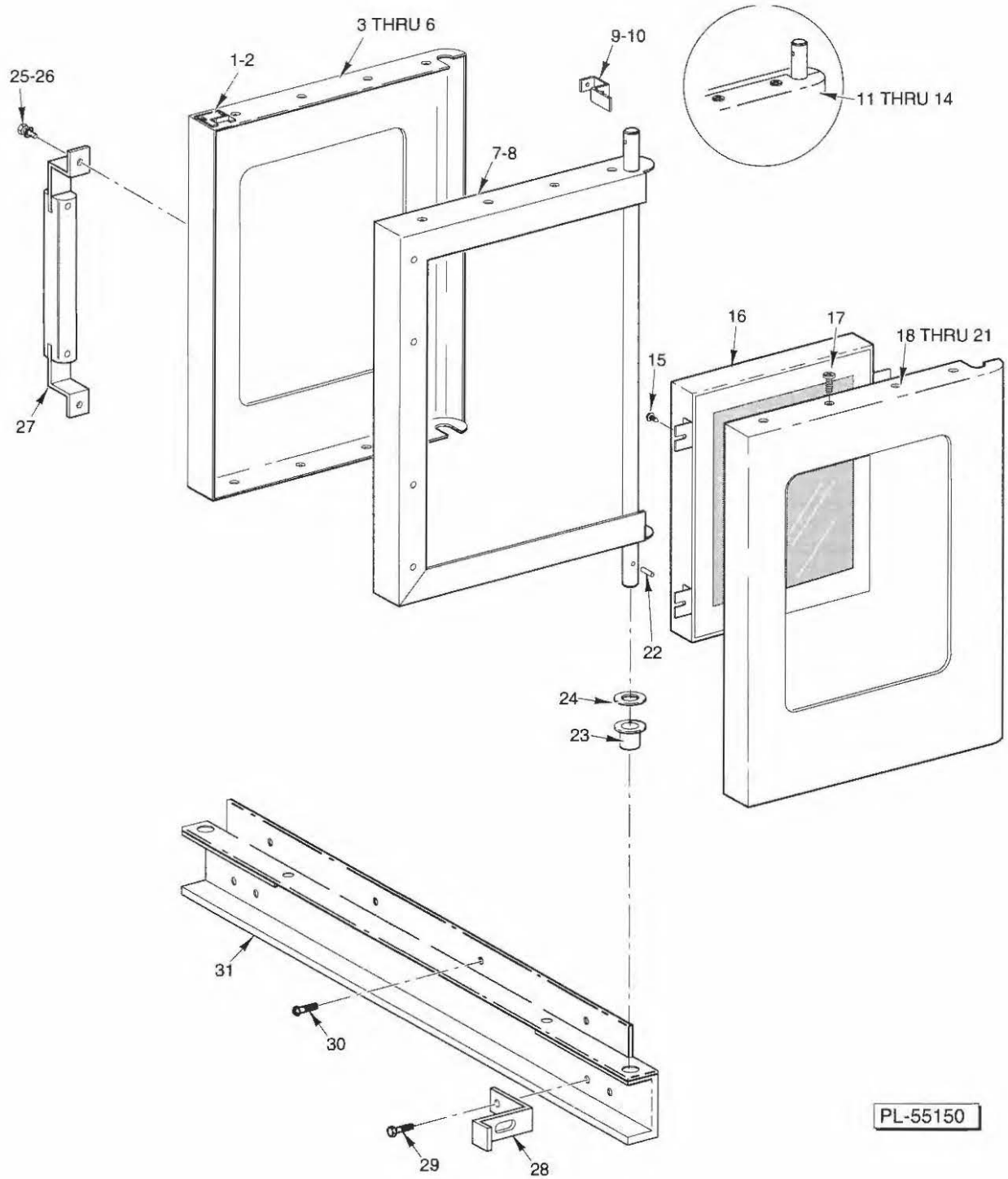
PL-55149

GAS PIPING AND FLAME CHAMBER

GAS PIPING AND FLAME CHAMBER

ILLUS. PL-55149	PART NO.	NAME OF PART	AMT.
1	00-423819-00001	Pipe - Weldment Gas Inlet	1
2	00-423828-00001	Tube - Flex (30")	1
3	00-425433-00001	Fan - Clip	1
4	00-424940-00001	Fan - Cooling (120 V.)	1
5	00-424940-00002	Fan - Cooling (230 V.)	1
6	SD-034-52	Self-Tapping Screw 8-32 x 1 Hex Washer Hd., Type T	2
7	00-423820-00001	Deflector - Air	1
8	FP-013-17	Elbow - Street 1/2 x 90 Deg.	2
9	SC-113-80	Cap Screw 1/4-20 x 1/2 Hex Hd.	4
10	00-424728-00001	Bracket - Gas Valve	1
11	00-410841-00018	Valve - Gas Control (NAT)	1
12	00-410841-00019	Valve - Gas Control (PRO/BUT)	1
13	00-423828-00002	Tube - Flex (18")	1
14	00-423813-00002	Wire - Ignition (High Voltage) (RH)	1
15	00-423813-00001	Wire - Ignition (High Voltage) (LH)	1
16	00-423655-00001	Manifold	1
17	SC-113-80	Cap Screw 1/4-20 x 1/2 Hex Hd.	2
18	00-010901-00036	Orifice - Spud (Nat)(4000 to 8000 Ft.) (Convection Ovens)	1
19	00-010901-00038	Fitting - Orifice (38 Drill) (NAT) (2500 to 3499 Ft)	1
20	00-010901-00040	Orifice - Spud (Nat. Gas)	1
21	00-010901-00041	Orifice - Spud (Nat. Gas)(2000-3000 Ft.)	1
22	00-010901-00042	Orifice - Spud (Nat. Gas)(3000-5000 Ft.)	1
23	00-010901-00043	Orifice - Spud (Nat. Gas)(5000-7000 Ft.)	1
24	00-010901-00052	Orifice - Spud (L.P.) (2000 to 4000 Ft.) (Std. Ovens)	1
25	00-010901-00053	Orifice - Spud (L.P.) (4000 to 6000 Ft.) (Std. Ovens)	1
26	00-010901-00054	Orifice - Spud (L.P.) (6000 to 8000 Ft.) (Std. Ovens)	1
27	00-010901-00055	Orifice - Spud (L.P.) (6000 to 8000 Ft.) (Convection Ovens)	1
28	SD-034-49	Self-Tapping Screw 8-32 x 1/2 Hex Washer Hd., Type T	4
29	00-417879-00001	Nozzle - Pilot Burner	2
30	00-423767-000G1	Burner & Igniter Assy. (Incls. Items 28, 31 & 33)	2
31	00-423667-00001	Burner Assy. (SG4)	2
32	00-423667-00002	Burner Assy. (SG6)	2
33	00-423754-00001	Ignitor - Burner	2
34	00-423767-000G2	Burner and Igniter Assy. (Incls. Items 28, 32 & 33)	2
**	414724-060HI	Low Voltage Wire - Flame Sensor (LH)	1
**	414724-032HI	Low Voltage Wire - Flame Sensor (RH)	1

** NOT SHOWN



PL-55150

DOOR ASSEMBLY

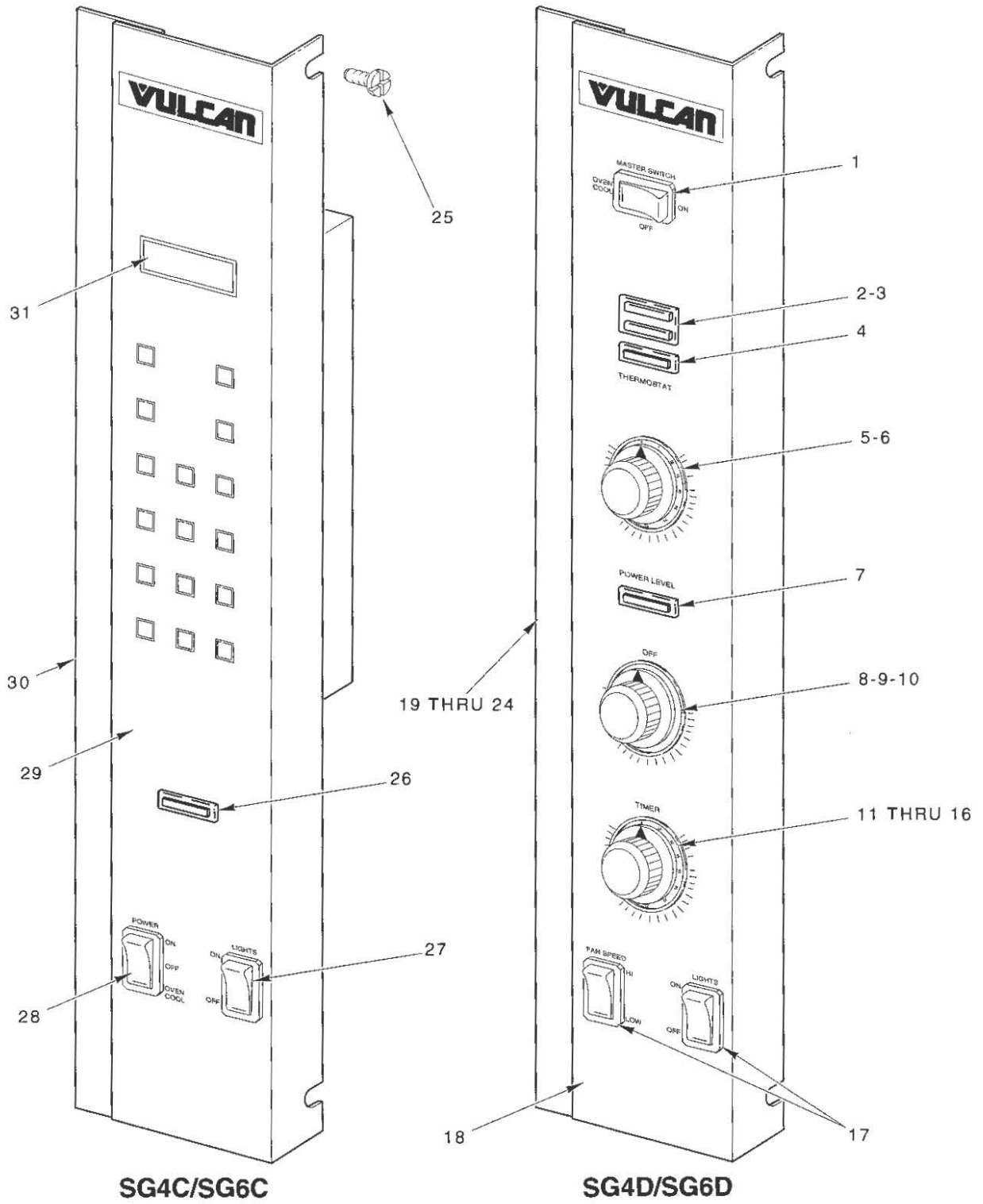
DOOR ASSEMBLY

ILLUS. PL-55150	PART NO.	NAME OF PART	AMT.
1	00-423847-00001	Strike - Door	1
2	00-350543-00006	Mach. Screw 10-32 x 1/2 Phil. Pan Hd.	2
3	00-421913-00001	Shell - Outer Door (R.H.) (W/Window)	1
4	00-421913-00002	Shell - Outer Door (R.H.) (W/O Window)	1
5	00-421913-00003	Shell - Outer Door (L.H.) (W/Window)	1
6	00-421913-00004	Shell - Outer Door (L.H.) (W/O Window)	1
7	00-421905-000G1	Frame Assy. - Door (R.H.)	1
8	00-421904-000G1	Frame Assy. - Door (L.H.)	1
9	00-424163-00001	Lever - Door Switch	1
10	SD-034-52	Self-Tapping Screw 8-32 x 1 Hex Washer Hd., Type T	1
11	00-358529-00005	Door Assy. (W/Window) (LH)	1
12	00-358530-00003	Door Assy. (W/Window) (RH)	1
13	00-358529-00006	Door Assy. (Solid) (LH)	1
14	00-358530-00004	Door Assy. (Solid) (RH)	1
15	SD-034-62	Self-Tapping Screw 10-32 x 1/2 Hex Washer Hd., Type T	4
16	00-358534-00001	Window Assy.	1
17	00-350543-00006	Mach. Screw 10-32 x 1/2 Phil. Pan Hd.	8
18	00-358532-00002	Shell - Inner Door (W/Window)(RH)	1
19	00-358532-00001	Shell - Inner Door (W/Window)(LH)	1
20	00-358533-00004	Shell - Inner Door (Solid)(RH)	1
21	00-358533-00003	Shell - Inner Door (Solid)(LH)	1
22	PS-004-11	Spirol Pin 3/16 x 1 1/4	1
23	00-347080-00002	Bearing - Door Shaft	1
24	00-343143-00002	Washer	2
25	SC-041-01	Cap Screw 1/4-20 x 3/4 Hex Hd	2
26	WL-019-37	Lockwasher 1/4 Int.	2
**	00-423842-000G1	Door Seal - Sides	2
**	00-357507-00001	Door Seal - Horizontal	2
**	00-357837-00001	Door Seal - End	1
27	00-358727-00001	Handle	1
28	00-424158-00001	Door Stop	1
29	SC-113-90	Mach. Screw 1/4-20 x 3/4 Hex Hd.	2
30	SC-022-40	Mach. Screw 1/4-20 x 3/4 Phil. Flat Hd.	4
31	00-357846-00001	Channel - Door Sill Weldment	1

SIMULTANEOUSLY OPENING DOORS

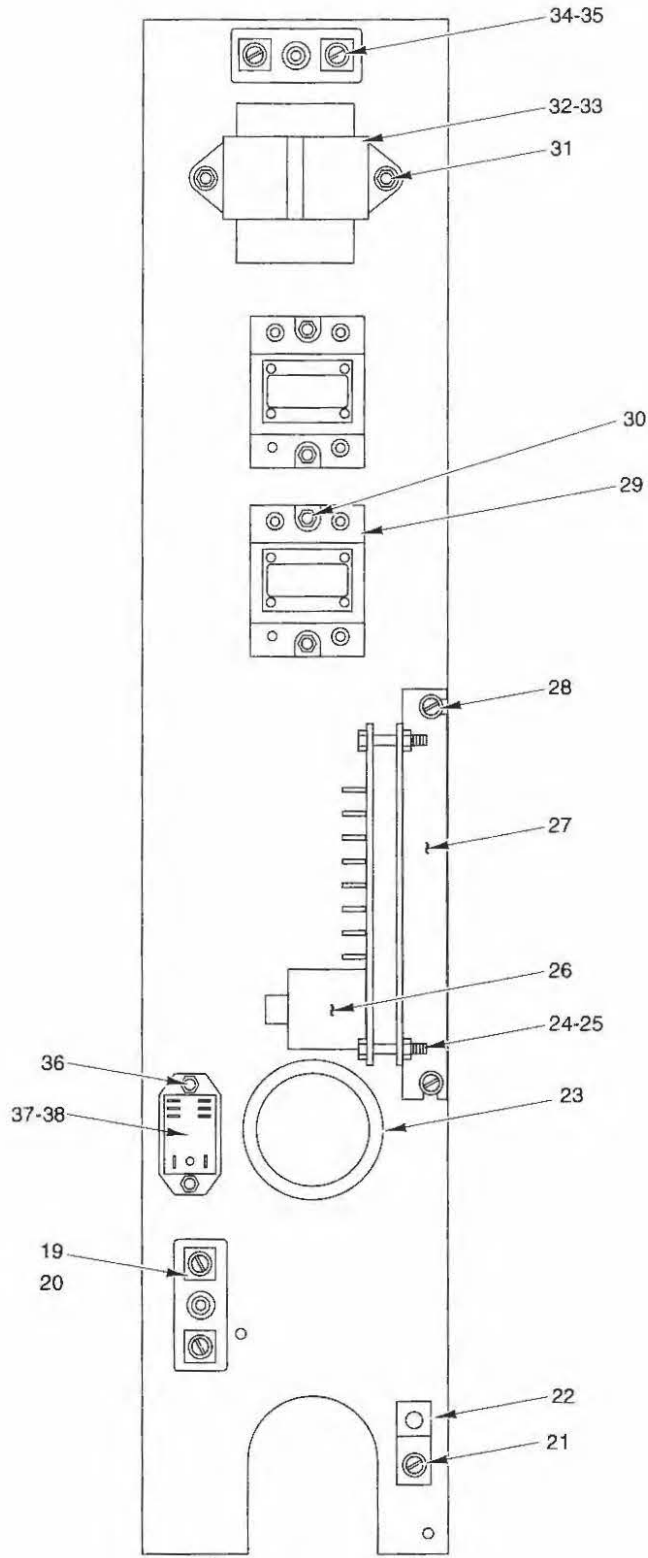
PART NO.	NAME OF PART	AMT.	
11	00-424730-00001	Door Assy. (W/Window) (LH)	1
12	00-424730-00002	Door Assy. (W/Window) (RH)	1
13	00-424731-00001	Door Assy. (Solid) (LH)	1
14	00-424731-00002	Door Assy. (Solid) (RH)	1
**	00-356563-00003	Red Handle - Front Grip	1
**	00-356563-00004	Red Handle - Rear Grip	1
**	00-343608-00002	Chain Assy.	1
**	00-342166-00001	Sprocket	1
**	00-352667-00001	Cable	1

** NOT SHOWN

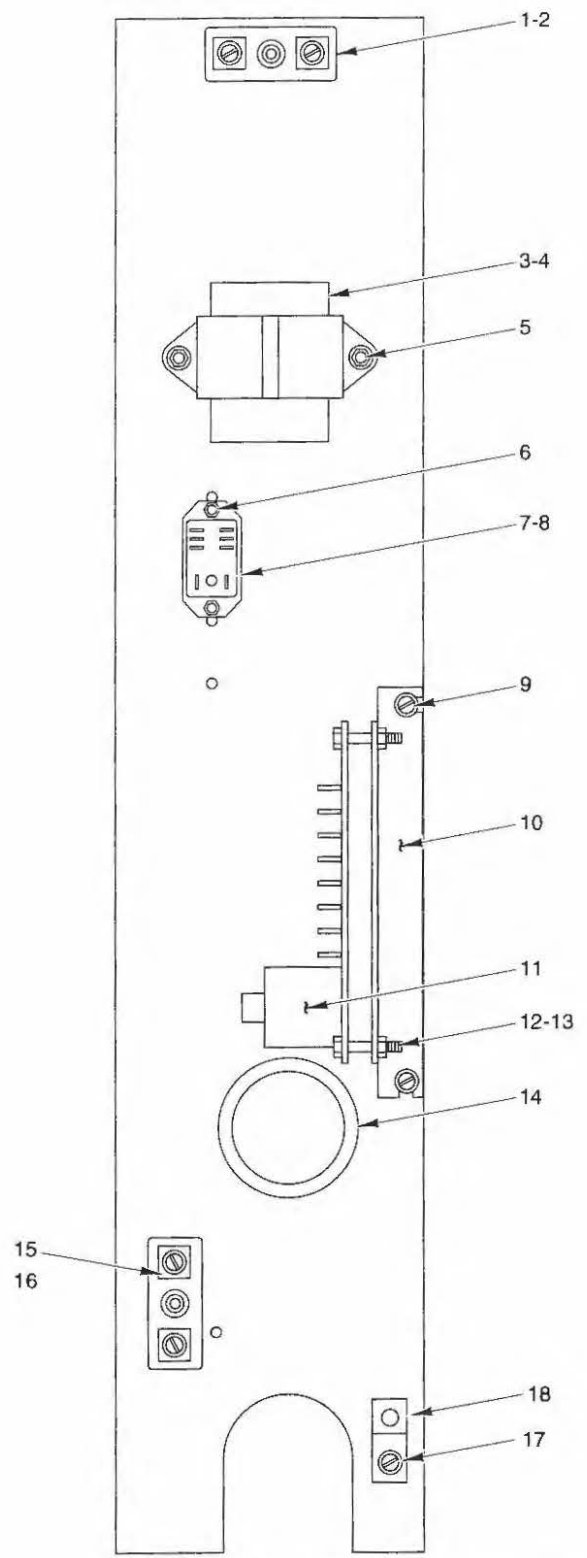


CONTROL PANEL

ILLUS. PL-55151	PART NO.	NAME OF PART	AMT.
1	00-358628-00001	Switch - Rocker (3 Position)	1
2	00-354575-00001	Light Indicator (On/Heat) (200-240V)	1
3	00-354575-00002	Light - Indicator (On/Heat)(110-120V.)	1
4	00-354575-00004	Light - Indicator (No Ignition)	1
5	00-411242-00001	Knob	1
6	00-353613-00002	Controller - Temperature (500 Deg F)	1
7	00-411496-000E4	Light - Hot top	1
8	00-411242-00001	Knob	1
9	00-411503-000G1	Switch - Infinite (120 V.)	1
10	00-411503-00002	Switch - Infinite (240 V.)	1
11	00-411242-00001	Knob	1
12	00-411690-00001	Timer (110-120 V.)(1 Hr.) (60 Hz)	1
13	00-411690-00002	Timer (200-240 V.)(1 Hr.) (60 Hz)	1
14	00-411690-00003	Timer (110-120 V.) (5 Hr.) (60 Hz.)	1
15	00-411690-00004	Timer (240 V.) (5 Hr.) (60 Hz.)	1
16	00-411690-00005	Timer 240V (1 Hr)(50Hz)	1
17	00-358628-00002	Switch - Rocker (2 Position)	2
18	00-421790-00001	Overlay - Panel	1
21	00-421792-000G3	Panel - Control Assy. (Incls. Items 1 thru 18) (1 hr/200-240/50)	1
22	00-421792-000G4	Panel - Control Assy. (Incls. Items 1 thru 18) (5 hr/120/60)	1
23	00-421792-000G5	Panel - Control Assy. (Incls. Items 1 thru 18) (5 hr/240/60)	1
24	00-421792-000G6	Panel - Control Assy. (Incls. Items 1 thru 18) (5 hr/200-240/50)	1
25	SD-037-02	Self-Tapping Screw 10-16 x 1/2 Hex Washer Hd., Type AB	3
26	00-354575-00004	Light - Indicator (No Ignition)	1
27	00-358628-00002	Switch - Rocker (2 Position)	1
28	00-358628-00001	Switch - Rocker (3 Position)	1
29	00-424843-00001	Overlay - Panel	1
30	00-424842-000G1	Panel - Control Assy.	1
31	00-424846-00001	Controller (Wattlow)	1
**	00-855903-00003	Controller (models manufactured between 9-97 to 11-99)	1
**	00-355903-00003	Controller (Old Style - 2 Knobs)	1
**	00-411499-00003	Buzzer (240 V.) (SG4D/SG6D)	1
**	00-411499-00004	Buzzer (120 V.) (SG4D/SG6D)	1
**	00-423918-00001	Electronic Beeper (SG4C/SG6C)	1
**	00-353589-00001	Probe (SG4D/SG6D)	1
**	00-920883-00002	Probe (SG4C/SG6C)	1
**	NOT SHOWN		



SG4C/SG6C



SG4D/SG6D

PL-55152

ELECTRICAL COMPONENT PANEL

ELECTRICAL COMPONENT PANEL

ILLUS. PL-55152	PART NO.	NAME OF PART	AMT.
1	00-417934-000G1	Porcelain - Block Assy.	1
2	SD-034-52	Self-Tapping Screw 8-32 x 1 Hex Washer Hd., Type T	1
3	00-411500-00012	Transformer (120 V., A.C., 28 V., 20 VA)	1
4	00-411500-00013	Transformer (200-240 V.A.C., 28 V., 20 VA)	1
5	SD-032-07	Self-Tapping Screw 10-24 x 1/2 Hex Washer Hd., Type TT	2
6	SD-034-49	Self-Tapping Screw 8-32 x 1/2 Hex Washer Hd., Type T	1
7	00-416535-00006	Relay - Heating (120 V)	1
8	00-416535-00007	Relay - Heating (200-240 V)	1
9	SD-032-07	Self-Tapping Screw 10-24 x 1/2 Hex Washer Hd., Type TT	1
10	00-423760-00001	Bracket - Ignition Module	1
11	00-913102-00294	Control - Dual Spark Ignition Kit	1
12	SD-034-52	Self-Tapping Screw 8-32 x 1 Hex Washer Hd., Type T	2
13	NS-044-07	Nut Assy. 8-32 Hex Keps	2
14	FE-024-23	Bushing - Electrical (Snap)	1
15	00-417934-000G1	Porcelain - Block Assy.	1
16	SD-034-52	Self-Tapping Screw 8-32 x 1 Hex Washer Hd., Type T	1
17	SD-032-07	Self-Tapping Screw 10-24 x 1/2 Hex Washer Hd., Type TT	1
18	00-417856-00001	Lug - Grounding (With Set Screw)	1
19	00-417934-000G1	Porcelain - Block Assy.	1
20	SD-034-52	Self-Tapping Screw 8-32 x 1 Hex Washer Hd., Type T	1
21	SD-032-07	Self-Tapping Screw 10-24 x 1/2 Hex Washer Hd., Type TT	1
22	00-417856-00001	Lug - Grounding (With Set Screw)	1
23	FE-024-23	Bushing - Electrical (Snap)	1
24	SD-034-52	Self-Tapping Screw 8-32 x 1 Hex Washer Hd., Type T	2
25	NS-044-07	Nut Assy. 8-32 Hex Keps	2
26	00-423756-00003	Control - Dual Spark Ignition	1
27	00-423760-00001	Bracket - Ignition Module	1
28	SD-032-07	Self-Tapping Screw 10-24 x 1/2 Hex Washer Hd., Type TT	1
29	00-821875-00002	Relay - Solid State (50Amp)	2
30	SD-034-52	Self-Tapping Screw 8-32 x 1 Hex Washer Hd., Type T	4
31	SD-032-07	Self-Tapping Screw 10-24 x 1/2 Hex Washer Hd., Type TT	2
32	00-421758-000G1	Transformer (120 V)	1
33	00-421758-000G2	Transformer (208-240 V)	1
34	00-417934-000G1	Porcelain - Block Assy.	1
35	SD-034-52	Self-Tapping Screw 8-32 x 1 Hex Washer Hd., Type T	1
36	SD-034-49	Self-Tapping Screw 8-32 x 1/2 Hex Washer Hd., Type T	2
37	00-416535-00006	Relay - Heating (120 V)	1
38	00-416535-00007	Relay - Heating (200-240 V)	1

SG4D/SG6D RECOMMENDED SPARE PARTS

PART NO.	NAME OF PART
00-357036-00001	Oven Lamp Assy. (40 Watt 120 - 130 V.)
00-357036-00002	Oven Lamp Assy. (40 Watts 250 V.)
00-411496-000F1	Switch - Micro (Door)(Convection Ovens Only)
00-358516-00001	Motor 1/3 Hp (2 Speed)(115, 50/60 Hz., 1 Ph.)
00-358516-00002	Motor 1/3 Hp. (2 Speed)(208-230, 50/60 Hz., 1 Ph.)
00-346357-00001	Hi-Limit
00-424940-00001	Fan - Cooling (120 V.)
00-424940-00002	Fan - Cooling (230 V.)
00-410841-00018	Valve - Gas Control (NAT)
00-410841-00019	Valve - Gas Control (PRO/BUT)
00-423813-00002	Wire - Ignition (High Voltage) (RH)
00-423813-00001	Wire - Ignition (High Voltage) (LH)
00-423754-00001	Ignitor - Burner
00-347080-00002	Bearing - Door Shaft
00-358628-00001	Switch - Rocker (3 Position)
00-354575-00001	Light Indicator (On/Heat) (200-240V)
00-354575-00002	Light - Indicator (On/Heat)(110-120V.)
00-354575-00004	Light - Indicator (No Ignition)
00-353613-00002	Controller - Temperature (500 Deg F)
00-411690-00001	Timer (110-120 V.)(1 Hr.) (60 Hz)
00-411690-00002	Timer (200-240 V.)(1 Hr.) (60 Hz)
00-411690-00005	Timer 240V (1 Hr)(50Hz)
00-358628-00002	Switch - Rocker (2 Position)
00-411499-00003	Buzzer (240 V.) (SG4D/SG6D)
00-411499-00004	Buzzer (120 V.) (SG4D/SG6D)
00-353589-00001	Probe (SG4D/SG6D)
00-411500-00012	Transformer (120 V., A.C., 28 V., 20 VA)
00-411500-00013	Transformer (200-240 V.A.C., 28 V., 20 VA)
00-416535-00006	Relay - Heating (120 V)
00-416535-00007	Relay - Heating (200-240 V)
00-423756-00003	Control - Dual Spark Ignition

SG4C/SG6C RECOMMENDED SPARE PARTS

PART NO.	NAME OF PART
00-357036-00001	Oven Lamp Assy. (40 Watt 120 - 130 V.)
00-357036-00002	Oven Lamp Assy. (40 Watts 250 V.)
00-411496-000F1	Switch - Micro (Door)(Convection Ovens Only)
00-358516-00001	Motor 1/3 Hp (2 Speed)(115, 50/60 Hz., 1 Ph.)
00-358516-00002	Motor 1/3 Hp. (2 Speed)(208-230, 50/60 Hz., 1 Ph.)
00-346357-00001	Hi-Limit
00-424940-00001	Fan - Cooling (120 V.)
00-424940-00002	Fan - Cooling (230 V.)
00-410841-00018	Valve - Gas Control (NAT)
00-410841-00019	Valve - Gas Control (PRO/BUT)
00-423813-00002	Wire - Ignition (High Voltage) (RH)
00-423813-00001	Wire - Ignition (High Voltage) (LH)
00-423754-00001	Ignitor - Burner
00-347080-00002	Bearing - Door Shaft
00-358628-00002	Switch - Rocker (2 Position)
00-358628-00001	Switch - Rocker (3 Position)
00-920883-00002	Probe (SG4C/SG6C)
00-423756-00003	Control - Dual Spark Ignition
00-821875-00002	Relay - Solid State (50Amp)
00-421758-000G1	Transformer (120 V)
00-421758-000G2	Transformer (208-240 V)

Blank
Page