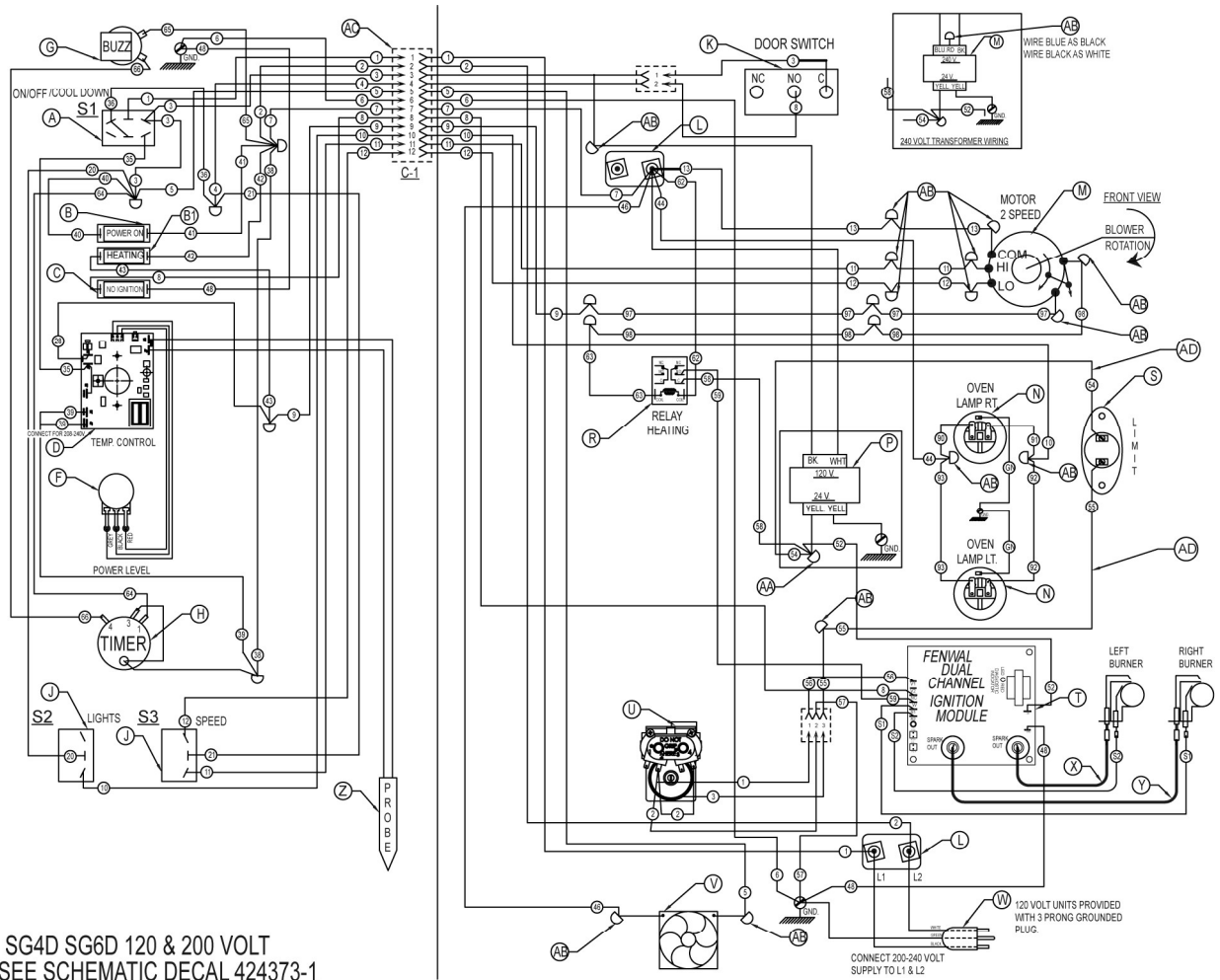


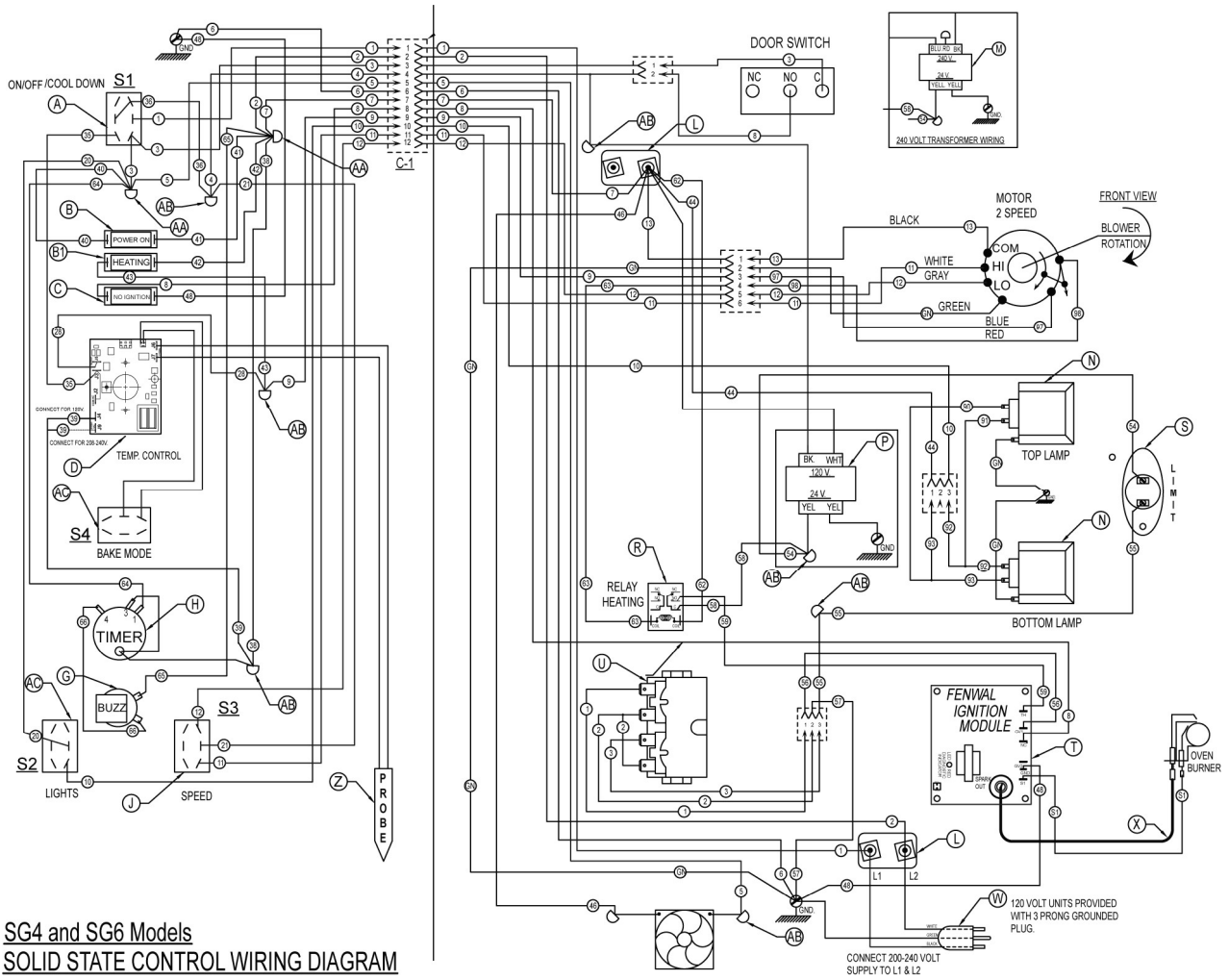
**WIRING DIAGRAMS**



SG4D SG6D 120 & 200 VOLT  
SEE SCHEMATIC DECAL 424373-1  
DERIVED FROM 424372

**Fig. 75**

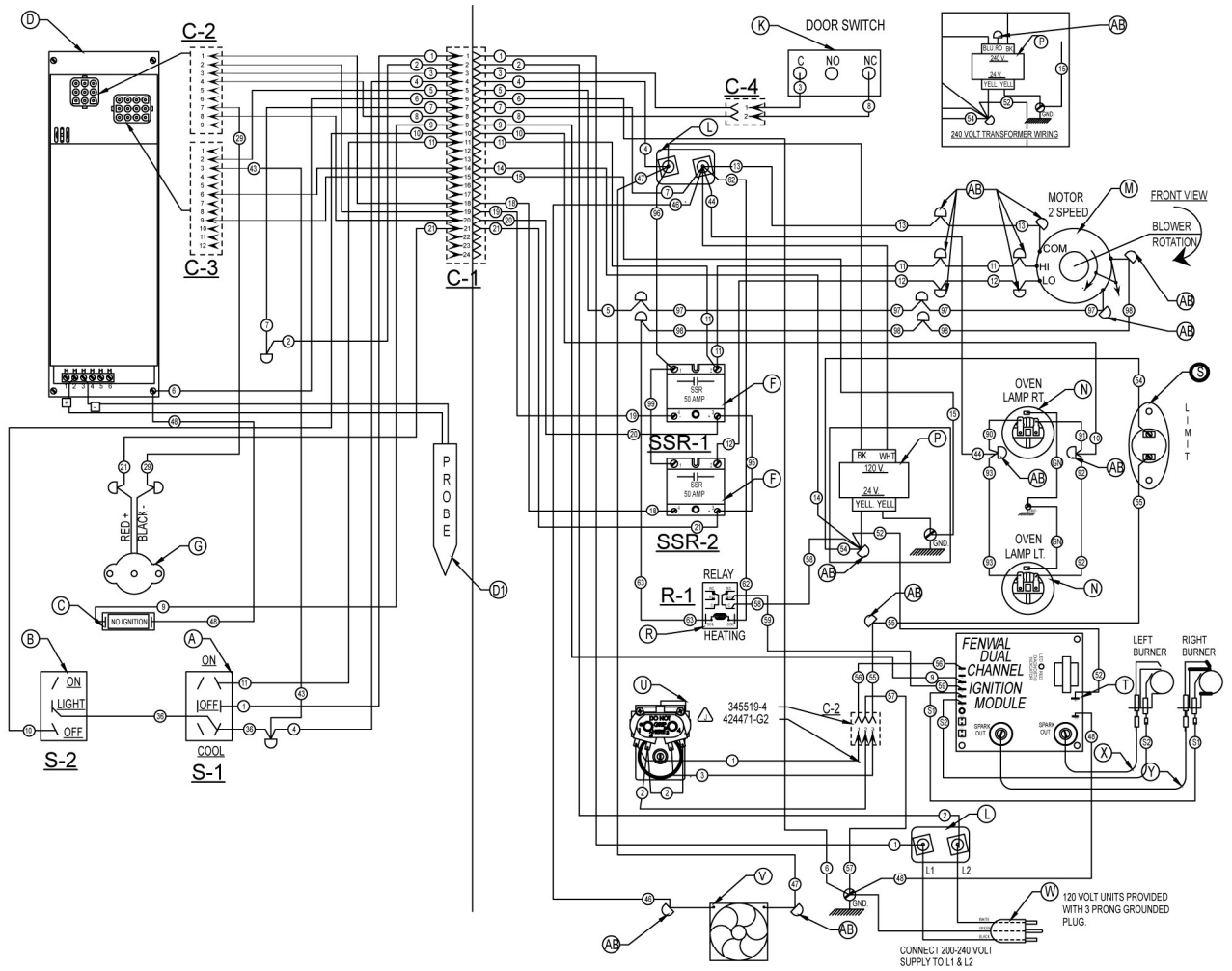
AI4902



SG4 and SG6 Models  
 SOLID STATE CONTROL WIRING DIAGRAM  
 1 BURNER CONVECTION OVEN 120 & 240V (NEW SG4)  
 DERIVED FROM 00959718

AI4891

STARTING AT SERIAL NUMBER 481913936

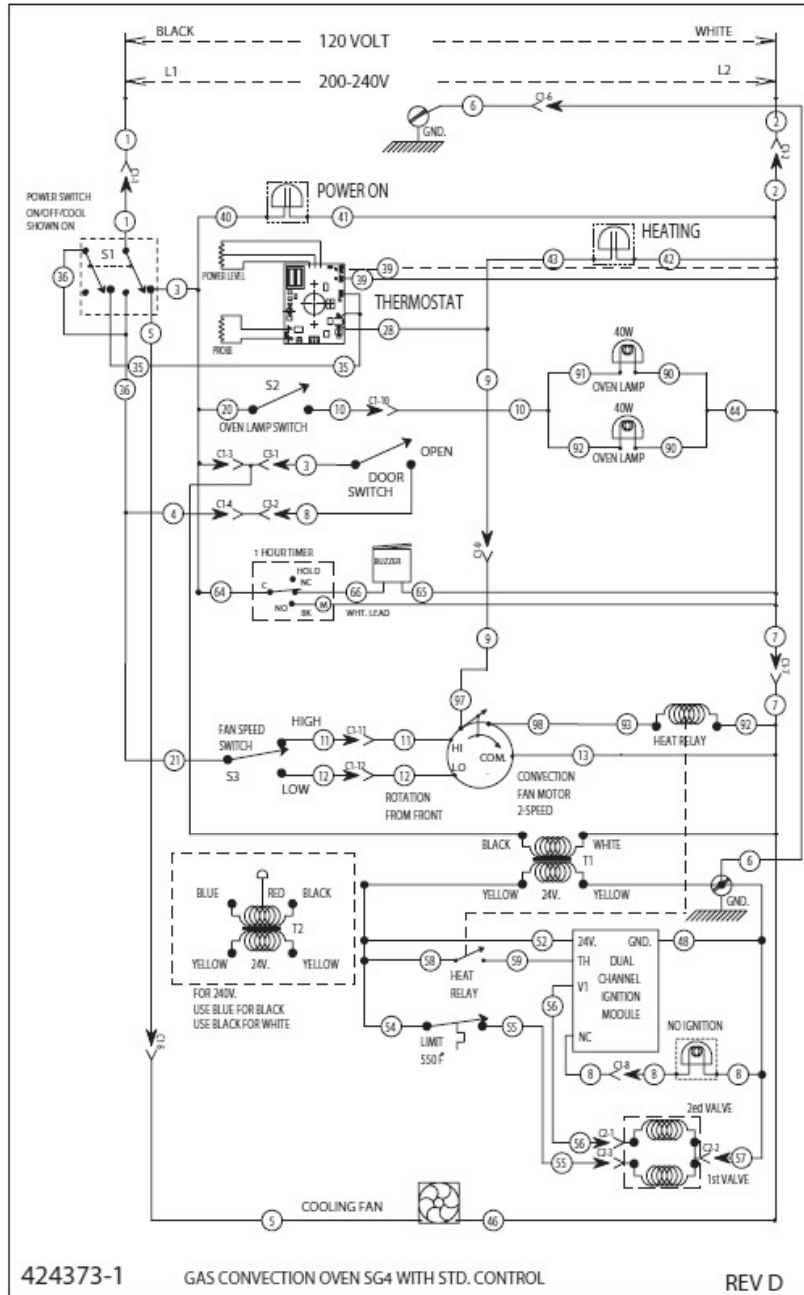


SG4 / SG6 CONVECTION OVEN DUAL BURNER - COMPUTER CONTROL 120 TO 240V.  
 REFER TO SCHEMATIC 426575 - 1  
 DERIVED FROM 426574 Rev. C

AI4903

Fig. 77

**SCHEMATICS**



**Fig. 78**

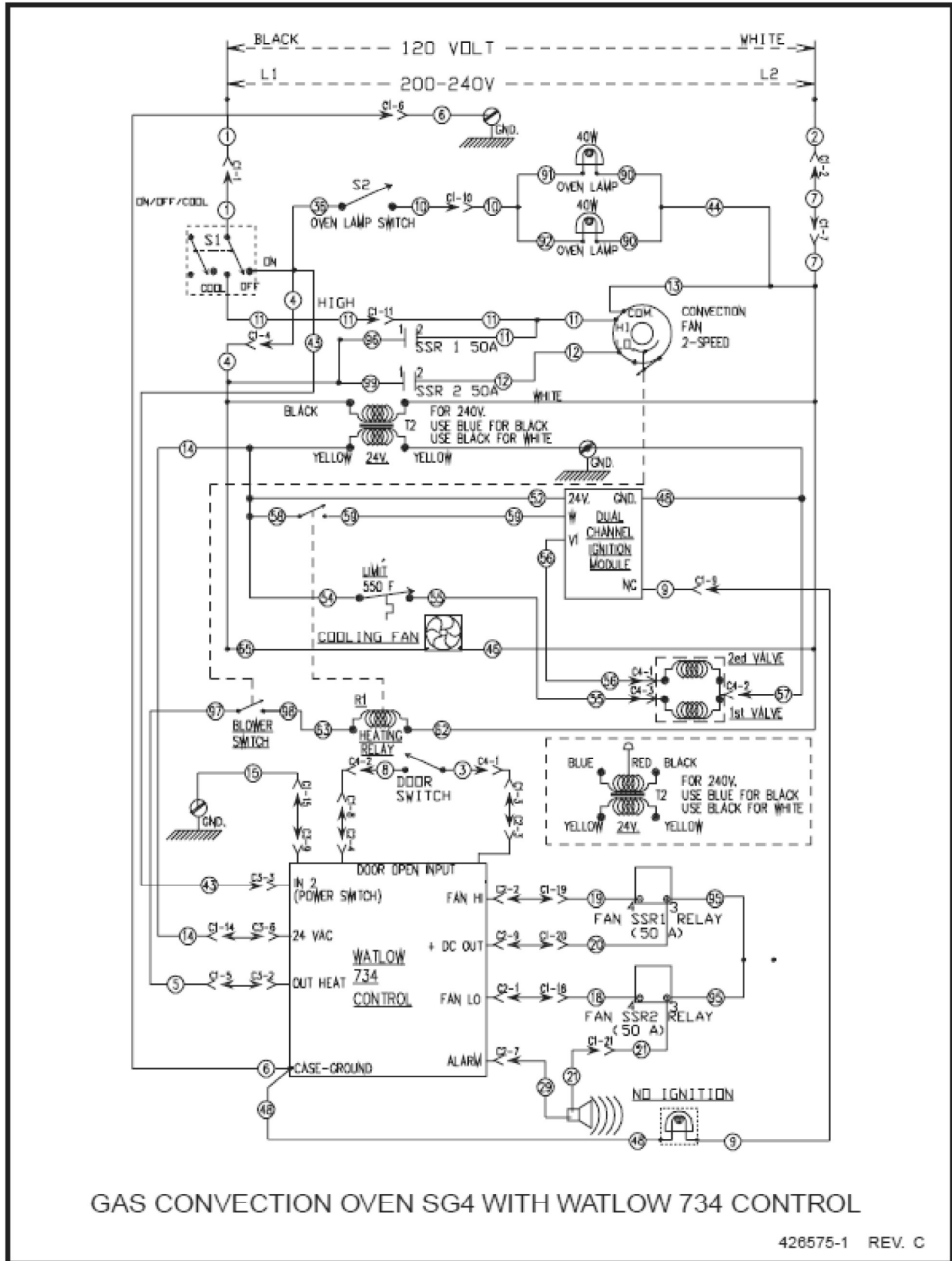


Fig. 79