



# CATALOG OF REPLACEMENT PARTS

## SG SERIES GAS SNORKEL CONVECTION OVENS MODELS SG4D, SG4C, SG6D, SG6C

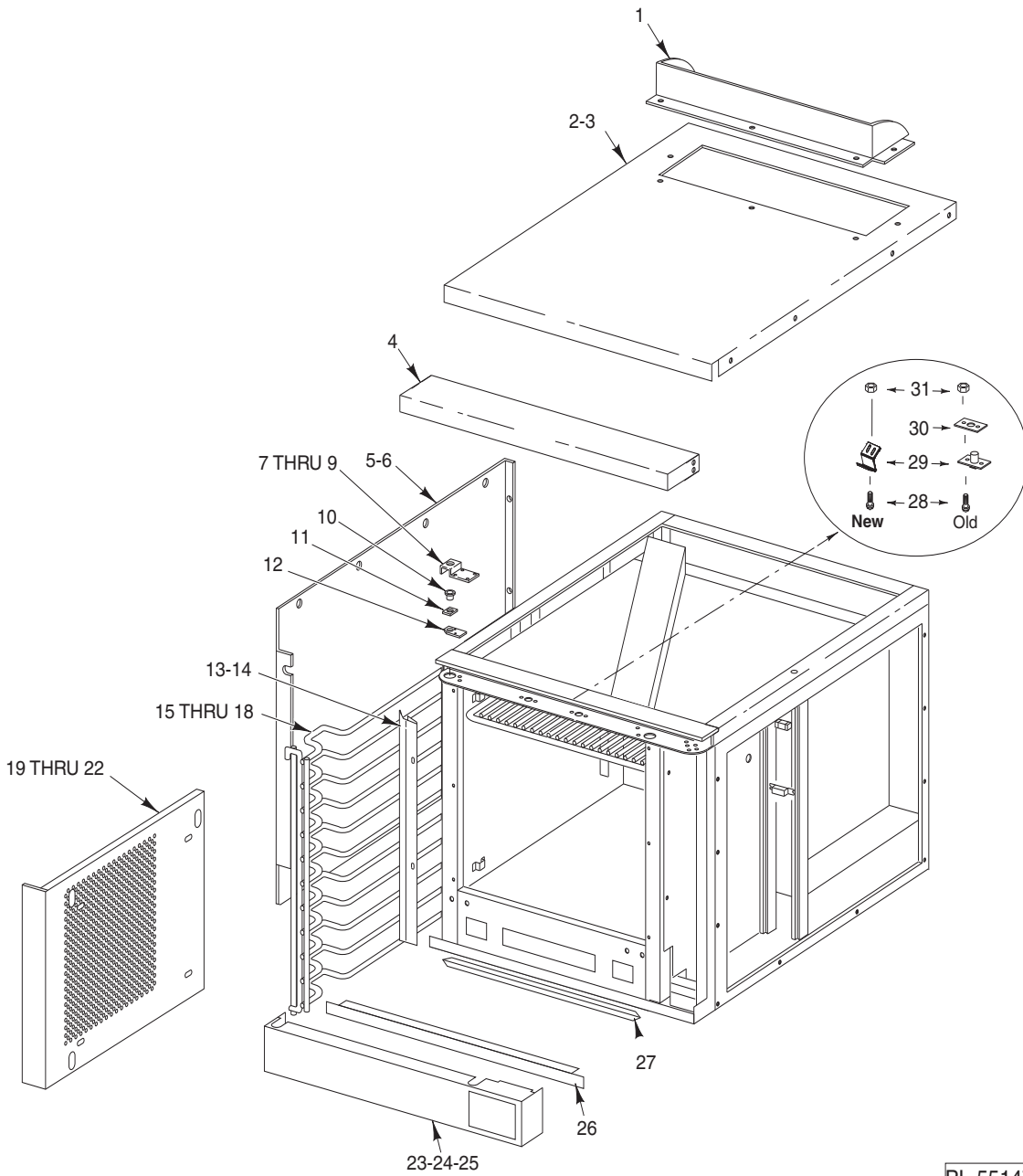
*MODEL*

<i>SG4D</i>	<i>ML-114875</i>
<i>SG4C</i>	<i>ML-114876</i>
<i>SG6D</i>	<i>ML-114877</i>
<i>SG6C</i>	<i>ML-114878</i>

*THIS CATALOG COVERS THE ABOVE  
ML MODELS MANUFACTURED AFTER  
AUGUST 6, 2004.*



**For additional information on Vulcan-Hart or to locate an authorized parts and service provider in your area, visit our website at [www.vulcanhart.com](http://www.vulcanhart.com)**

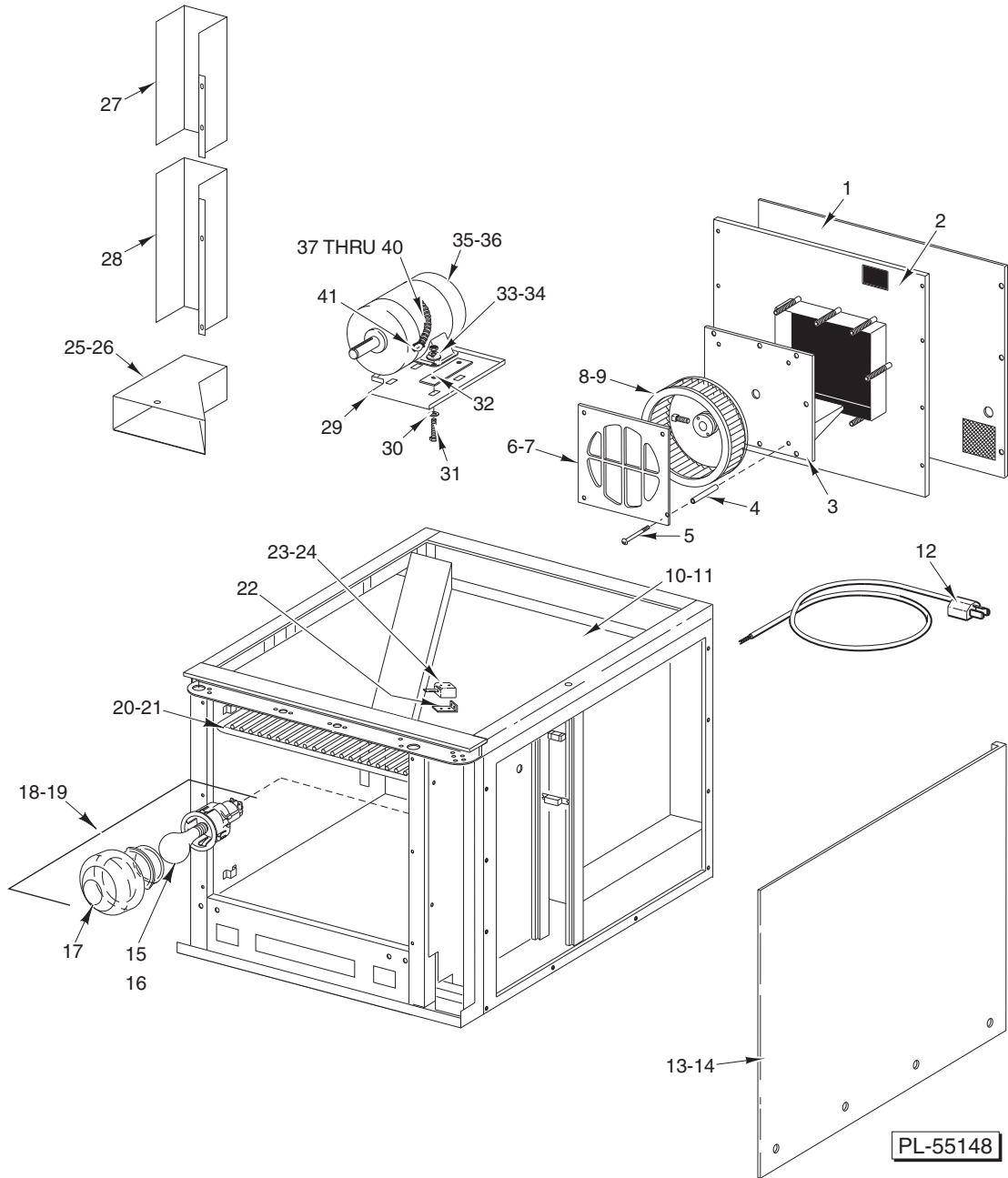


PL-55147A-1

OVEN PANELS

## OVEN PANELS

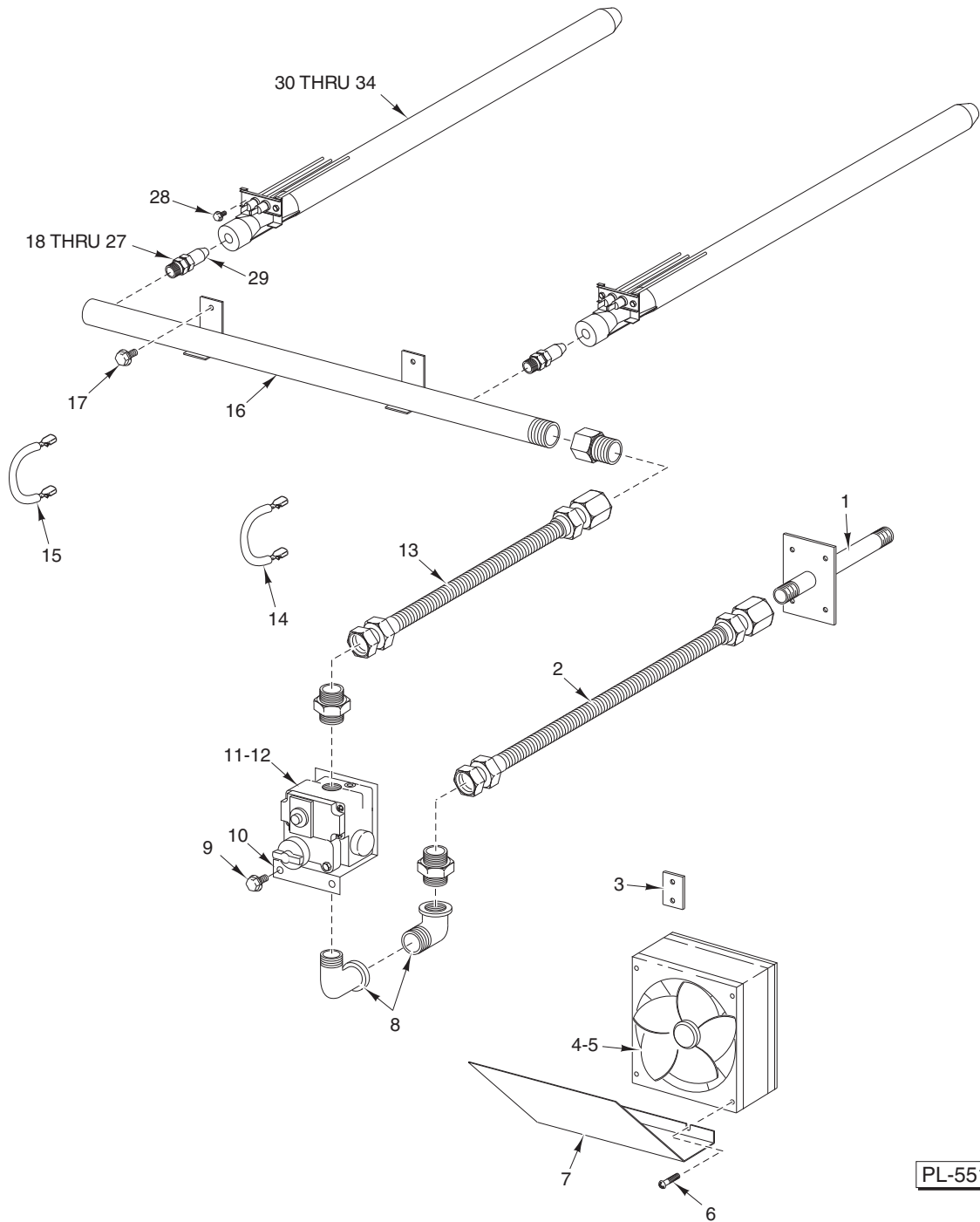
ILLUS. PL-55147A-1 NO.	PART	NAME OF PART	AMT.
1	00-423815-00001	Guard - Vent .....	1
2	00-421800-00001	Top - Cover Panel (SG4) .....	1
3	00-423683-00001	Top - Cover Panel (SG6) .....	1
4	00-421799-00001	Top - Front .....	1
5	<b>00-499304-00001</b>	<b>Panel - Outer (LH SG4) (New Style) .....</b>	<b>1</b>
	00-421802-00001	Panel - Outer (LH SG4) (Old Style) .....	1
6	00-423685-00001	Panel - Outer (LH SG6) (Old Style) .....	1
7	00-353484-00001	Plate - Retainer .....	2
8	SC-053-41	Mach. Screw 1/4-20 x 1/2 Truss Hd. SST .....	4
9	NS-038-08	Lock Nut 1/4-20 x 1 Hex Hd. ....	4
10	00-347080-00002	Bearing - Door Shaft .....	2
11	00-353482-00001	Spacer .....	2
12	00-353483-00001	Plate - Upper Door Bearing .....	2
13	00-423842-000G1	Door Seal - Sides .....	2
14	00-357507-00001	Door Seal - Horizontal .....	2
15	00-423676-00001	Rack - Support (SG4) (RH) (Prior to November 6, 2003) .....	1
	00-428601-00001	Rack - Support (SG4) (RH) (November 6, 2003 to Present) .....	1
16	00-423676-00002	Rack - Support (SG4) (LH) (Prior to November 6, 2003) .....	1
	00-428601-00002	Rack - Support (SG4) (LH) (November 6, 2003 to Present) .....	1
17	00-423676-00003	Rack - Support (SG6) (RH) (Prior to November 6, 2003) .....	1
	00-428601-00003	Rack - Support (SG6) (RH) (November 6, 2003 to Present) .....	1
18	00-423676-00004	Rack - Support (SG6) (LH) (Prior to November 6, 2003) .....	1
	00-428601-00004	Rack - Support (SG6) (LH) (November 6, 2003 to Present) .....	1
19	00-423183-00001	Liner - Side (SG4) (RH) .....	1
20	00-423183-00002	Liner - Side (SG4) (LH) .....	1
21	00-423682-00001	Liner - Side (SG6) (RH) .....	1
22	00-423682-00002	Liner - Side (SG6) (LH) .....	1
23	<b>00-499299-000G1</b>	<b>Trim - Bottom (New Style) (Incls. Items 24 &amp; 25) .....</b>	<b>1</b>
	00-423766-000G1	Trim - Bottom (Old Style) (Incls. Items 24 (Old Style) & 25) .....	1
24	<b>00-499297-00001</b>	<b>Access Door (New Style) .....</b>	<b>1</b>
	00-423758-00001	Access Door (Old Style) .....	1
25	00-425199-00001	Nylon Door Hinge Pin .....	2
26	00-424865-00001	Cover - Trim .....	1
27	00-357507-00001	Seal - Door (30 1/2 Long) .....	1
28	SC-115-51	Mach. Screw 10-32 x 1/2 Phil. Truss Hd. ....	2
29	<b>00-497585-00001</b>	<b>Strike Plate (New Style) (Mounted on Upper "C" Channel) .....</b>	<b>2</b>
	00-423847-00001	Strike Plate (Old Style) (Mounted on Doors) .....	1
	<b>00-497586-00001</b>	<b>Roller Latch (New Style) (Mounted to Doors) .....</b>	<b>2</b>
	00-347545-00001	Roller Ball Door Latch (Old Style) (Mounted to Upper "C" Channel) .....	1
30	00-423848-00001	Shim - Door Strike (Old Style) .....	AR
31	NS-038-03	Lock Nut - SP 10-32 .....	2



OVEN PANELS AND BLOWER-MOTOR

## OVEN PANELS AND BLOWER-MOTOR

ILLUS. PL-55148	PART NO.	NAME OF PART	AMT.
1	00-421803-00001	Panel - Back Cover .....	1
2	00-423845-000G1	Back - Inner Cavity Panel .....	1
3	00-423289-000G1	Motor Mount .....	1
4	00-411289-00004	Spacer - Fan Housing .....	4
5	SC-120-15	Mach. Screw 1/4 - 20 x 4 Rd. Hd. ....	4
6	00-411136-00004	Cover - Fan (60 Hz.) .....	1
7	00-411136-00003	Cover - Fan (50 Hz.) .....	1
8	00-415780-00003	Wheel - Blower (60 Hz.) .....	1
9	00-415780-00005	Wheel - Blower (50 Hz.) .....	1
10	00-421764-00001	Panel - Top Cavity (SG4) .....	1
11	00-423673-00001	Panel - Top Cavity (SG6) .....	1
12	00-405016-00001	Cord - Electric Supply (120V. Only) (Convection Ovens) .....	1
13	00-421801-00001	Panel - Outer (SG4) (RH) .....	1
14	00-423684-00001	Panel - Outer (SG6) (RH) .....	2
15	00-342766-00001	Light Bulb - Oven (40 Watts) (120 V.) .....	2
16	00-342766-00002	Light Bulb-Oven (240V., 40 Watts) .....	2
17	00-357036-00003	Lens - Oven Lamp .....	2
18	00-357036-00001	Oven Lamp Assy. (40 Watt 120 - 130 V.) .....	2
19	00-357036-00002	Oven Lamp Assy. (40 Watts 250 V.) .....	2
20	00-411265-00011	Rack Assy. (SG4) .....	AR
21	00-411265-00010	Rack Assy. (SG6) .....	AR
22	00-425324-00001	Bracket - Door Switch .....	1
23	00-411496-000F1	Micro Switch (Door)(Convection Ovens Only) (Prior to May 12, 2009) .....	1
	00-499310-000G1	Micro Switch Replacement Kit (Beginning May 12, 2009) (Includes items 22 & 24) .....	1
24	SD-034-47	Self-Tapping Screw 6-32 x 1 Hex Washer Hd., Type T .....	2
25	00-421809-000G1	Flue Vent Assy. ....	1
26	SD-034-45	Self-Tapping Screw 6-32 x 3/8 Rd. Hd., Type T .....	2
27	00-424876-00001	Stacking Flue (Lower) (Part of Stacking Kits) .....	1
28	00-424875-00001	Stacking Flue (Upper) (Part of Stacking Kits) .....	1
29	00-345523-00001	Baffle - Motor .....	1
30	WS-029-46	Washer .....	4
31	SC-113-65	Cap Screw 5/16-18 x 1 1/4 Hex Hd. ....	4
32	00-358723-00001	Spacer - Steel .....	2
33	WS-029-46	Washer .....	4
34	NS-046-86	Nut Assy. 5/16-18 "KEPS" Hex .....	4
35	00-358516-00001	Motor 1/3 Hp (2 Speed)(115, 50/60 Hz., 1 Ph.) .....	1
36	00-358516-00002	Motor 1/3 Hp. (2 Speed)(208-230, 50/60 Hz., 1 Ph.) .....	1
37	FE-006-05	Lock Nut 1/2 .....	1
38	00-414540-00B35	Conduit 3/8 x 35" Lg. (Convection Ovens Only) .....	1
39	00-342285-00001	Bushing - Plastic .....	2
40	FE-002-03	Connector - Conduit 3/8 TS Straight (Convection Ovens Only) .....	1
41	FE-002-52	Connector - Conduit (90 Deg. - 3/8 Squeeze) (Convection Ovens Only) .....	1
**	00-423430-000G1	Scoop - Air .....	1
**	00-413627-000G1	Tube - Snorkel Assembly .....	1
**	00-346357-00001	Hi-Limit .....	1
**	00-346358-00002	Hi-Limit Assy. ....	1
**	NOT SHOWN		

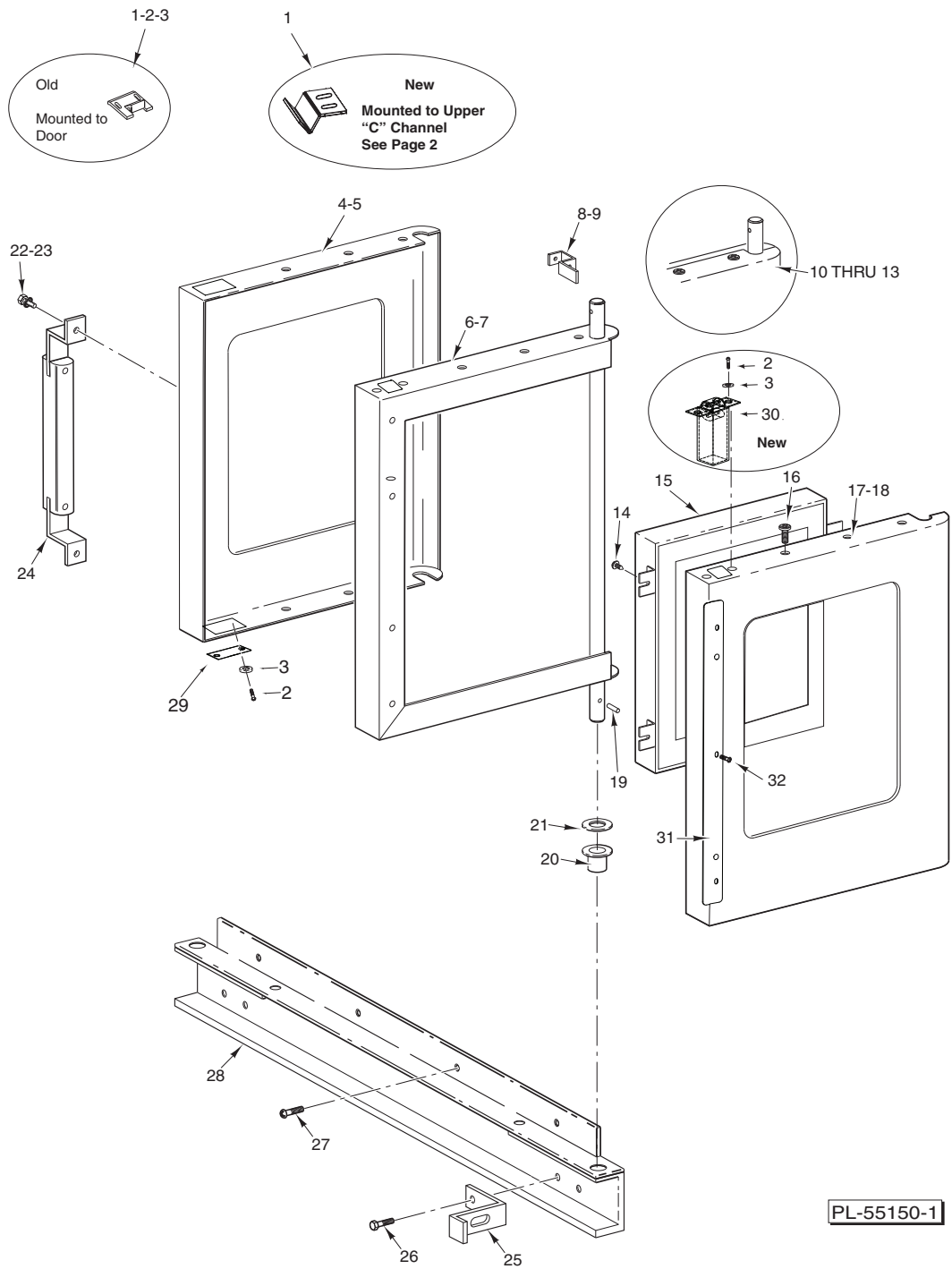


PL-55149

**GAS PIPING AND FLAME CHAMBER**

## GAS PIPING AND FLAME CHAMBER

ILLUS. PL-55149	PART NO.	NAME OF PART	AMT.
1	00-423819-00001	Pipe - Weldment Gas Inlet .....	1
2	00-423828-00001	Tube - Flex (30") .....	1
3	00-425433-00001	Fan - Clip .....	1
4	00-424940-00001	Fan - Cooling (120 V.) .....	1
5	00-424940-00002	Fan - Cooling (230 V.) .....	1
6	SD-034-52	Self-Tapping Screw 8-32 x 1 Hex Washer Hd., Type T .....	2
7	00-423820-00001	Deflector - Air .....	1
8	FP-013-17	Elbow - Street 1/2 x 90 Deg. ....	2
9	SC-113-80	Cap Screw 1/4-20 x 1/2 Hex Hd. ....	4
10	00-424728-00001	Bracket - Gas Valve .....	1
11	00-410841-00018	Valve - Gas Control (NAT) (Prior to April 25, 2005) .....	1
	00-497271-00007	Valve - Gas Combo (NAT) (Starting April 25, 2005) .....	1
12	00-410841-00019	Valve - Gas Control (PRO/BUT) (Prior to April 25, 2005) .....	1
	00-497271-00008	Valve - Gas Combo (PRO) (Starting April 25, 2005) .....	1
13	00-423828-00002	Tube - Flex (18") .....	1
14	00-423813-00002	Wire - Ignition (High Voltage) (RH) .....	1
15	00-423813-00001	Wire - Ignition (High Voltage) (LH) .....	1
16	00-423655-00001	Manifold .....	1
17	SC-113-80	Cap Screw 1/4-20 x 1/2 Hex Hd. ....	2
18	00-010901-00036	Orifice - Spud (Nat. Gas)(Sea Level to 2499 Ft.) .....	1
19	00-010901-00038	Orifice - Spud (Nat. Gas) (2500 to 3499 Ft.) .....	1
20	00-010901-00040	Orifice - Spud (Nat. Gas) (3500 - 4499 Ft.) .....	1
21	00-010901-00041	Orifice - Spud (Nat. Gas) (4500 - 6499 Ft.) .....	1
22	00-010901-00042	Orifice - Spud (Nat. Gas) (6500 - 8499 Ft.) .....	1
23	00-010901-00043	Orifice - Spud (Nat. Gas) (8500 - 10500 Ft.) .....	1
24	00-010901-00052	Orifice - Spud (L.P.) (Sea Level to 2499 Ft.) .....	1
25	00-010901-00053	Orifice - Spud (L.P.) (2500 - 4499 Ft.) .....	1
26	00-010901-00054	Orifice - Spud (L.P.) (4500 - 6499 Ft.) .....	1
27	00-010901-00055	Orifice - Spud (L.P.) (6500 - 7499 Ft.) .....	1
28	SD-034-49	Self-Tapping Screw 8-32 x 1/2 Hex Washer Hd., Type T .....	4
29	00-417879-00001	Nozzle - Pilot Burner .....	2
30	00-423767-000G1	Burner & Igniter Assy. (Incls. Items 28, 31 & 33) (SG4) .....	2
31	00-423667-00001	Burner Assy. (SG4) .....	2
32	00-423667-00002	Burner Assy. (SG6) .....	2
33	00-423754-00001	Ignitor - Burner .....	2
34	00-423767-000G2	Burner and Igniter Assy. (Incls. Items 28, 32 & 33) (SG6) .....	2
**	414724-060HI	Low Voltage Wire - Flame Sensor (LH) .....	1
**	414724-032HI	Low Voltage Wire - Flame Sensor (RH) .....	1
**	NOT SHOWN		



PL-55150-1

**DOOR ASSEMBLY**

## DOOR ASSEMBLY (INDEPENDENTLY OPENING DOORS)

ILLUS. PL-55150-1	PART NO.	NAME OF PART	AMT.
1	<b>00-497585-00001</b>	<b>Strike Plate (New Style) (Attaches to Upper "C" Channel Assy.) (See Pg. 2)</b> .....	2
	00-423847-00001	Strike - Door (Old Style) (Mounted to Door) .....	1
2	SC-117-73	Screw, Roller Latch, Plate .....	4
3	WL-019-35	Lockwasher .....	4
4	00-358600-00001	Shell - Outer Door (R.H. & L.H.) (W/Window) .....	1
5	00-358600-00002	Shell - Outer Door (R.H. & L.H.) (W/O Window) (Not Shown) .....	1
6	00-421905-000G1	Frame Assy. - Door (R.H.) .....	1
7	00-421904-000G1	Frame Assy. - Door (L.H.) .....	1
8	00-424163-00001	Lever - Door Switch .....	1
9	SD-034-52	Self-Tapping Screw 8-32 x 1 Hex Washer Hd., Type T .....	1
10	<b>00-499285-000G1</b>	<b>Door Assy. (W/Window) (LH) (Independent Doors) (New Style)</b> .....	1
	00-358529-00005	Door Assy. (W/Window) (LH) (Independent Doors) (Old Style) .....	1
11	<b>00-499285-000G2</b>	<b>Door Assy. (Solid) (LH) (Independent Doors) (New Style)</b> .....	1
	00-358529-00006	Door Assy. (Solid) (LH) (Independent Doors) (Old Style) .....	1
12	<b>00-499286-000G1</b>	<b>Door Assy. (W/Window) (RH) (Independent Doors) (New Style)</b> .....	1
	00-358530-00003	Door Assy. (W/Window) (RH) (Independent Doors) (Old Style) .....	1
13	<b>00-499286-000G2</b>	<b>Door Assy. (Solid) (RH) (Independent Doors) (New Style)</b> .....	1
	00-358530-00004	Door Assy. (Solid) (RH) (Independent Doors) (Old Style) .....	1
14	SD-034-62	Self-Tapping Screw 10-32 x 1/2 Hex Washer Hd., Type T .....	4
15	00-358534-00001	Window Assy. ....	1
16	SD-034-22	Mach. Screw .....	8
17	00-358532-00001	Shell - Inner Door (W/Window)(LH & RH) .....	1
18	00-358533-00003	Shell - Inner Door (Solid)(LH & RH) .....	1
19	PS-004-11	Spirol Pin 3/16 x 1 1/4 .....	1
20	00-347080-00002	Bearing - Door Shaft .....	1
21	00-343143-00002	Washer .....	2
22	SC-041-01	Cap Screw 1/4-20 x 3/4 Hex Hd .....	2
23	WL-019-37	Lockwasher 1/4 Int. ....	2
24	00-357929-00004	Handle (Beginning Feb. 11, 2008) .....	1
	00-357929-00002	Handle (Prior to Feb. 11, 2008) .....	1
25	<b>00-499263-00001</b>	<b>Door Stop (New Style)</b> .....	1
	00-424158-00001	Door Stop (Old Style) .....	1
26	SC-113-90	Mach. Screw 1/4-20 x 3/4 Hex Hd. ....	2
27	SC-022-40	Mach. Screw 1/4-20 x 3/4 Phil. Flat Hd. ....	4
28	<b>00-499300-000G1</b>	<b>Channel - Door Sill Weldment (New Style)</b> .....	1
	00-357846-00001	Channel - Door Sill Weldment (Old Style) .....	1
29	<b>00-499264-00001</b>	<b>Cover, Cutout (New Style)</b> .....	1
30	<b>00-497586-00001</b>	<b>Roller Latch (New Style) (Mounted to Top of Door)</b> .....	2
	00-347545-00001	Ball Door Latch (Old Style) (Mounted to Upper "C" Channel) .....	1
31	00-357837-00001	Door Seal - End .....	1
32	SC-113-78	Mach. Screw .....	3
**	00-423842-000G1	Door Seal - Sides .....	1
**	00-357507-00001	Door Seal - Horizontal .....	2

\*\* NOT SHOWN

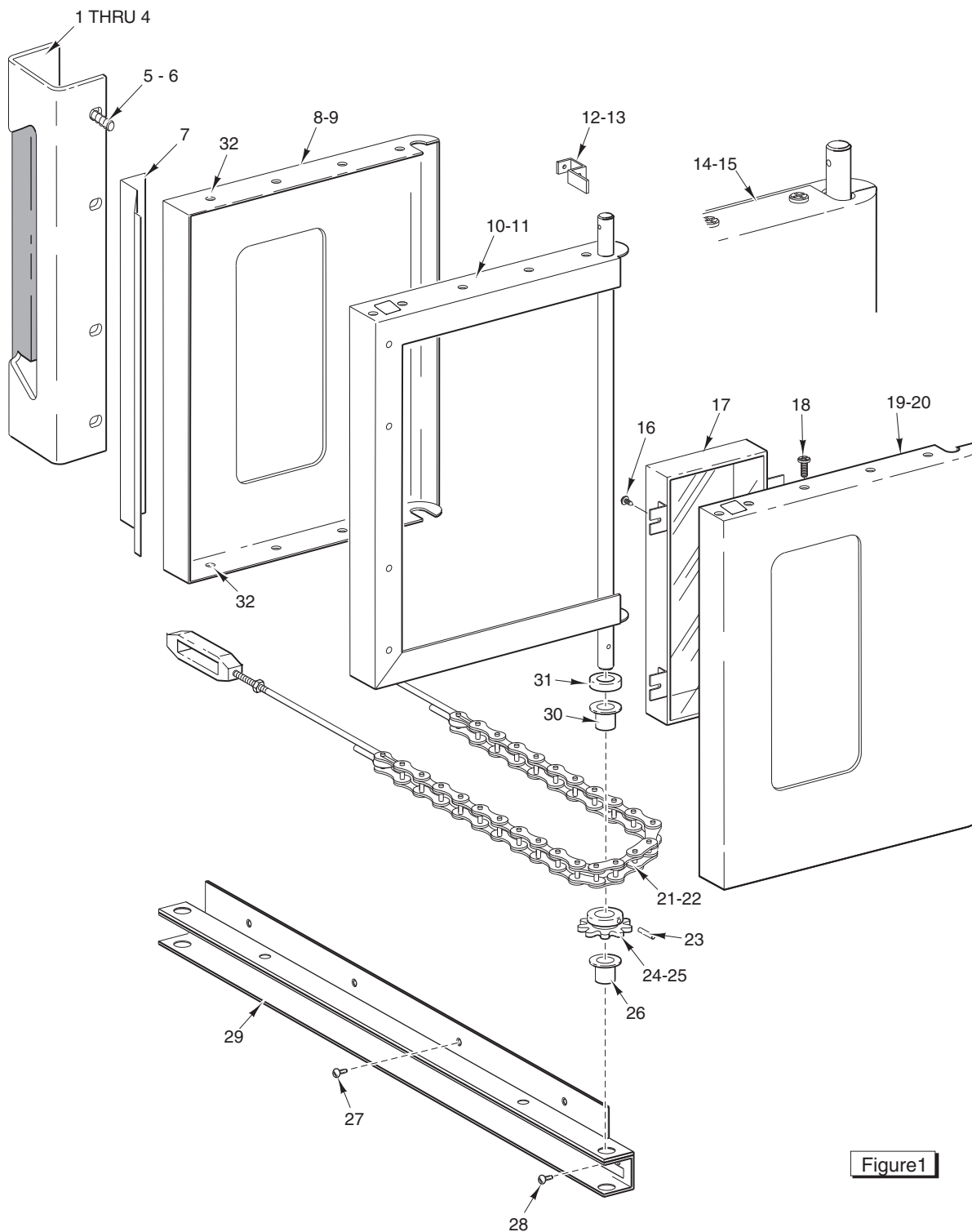
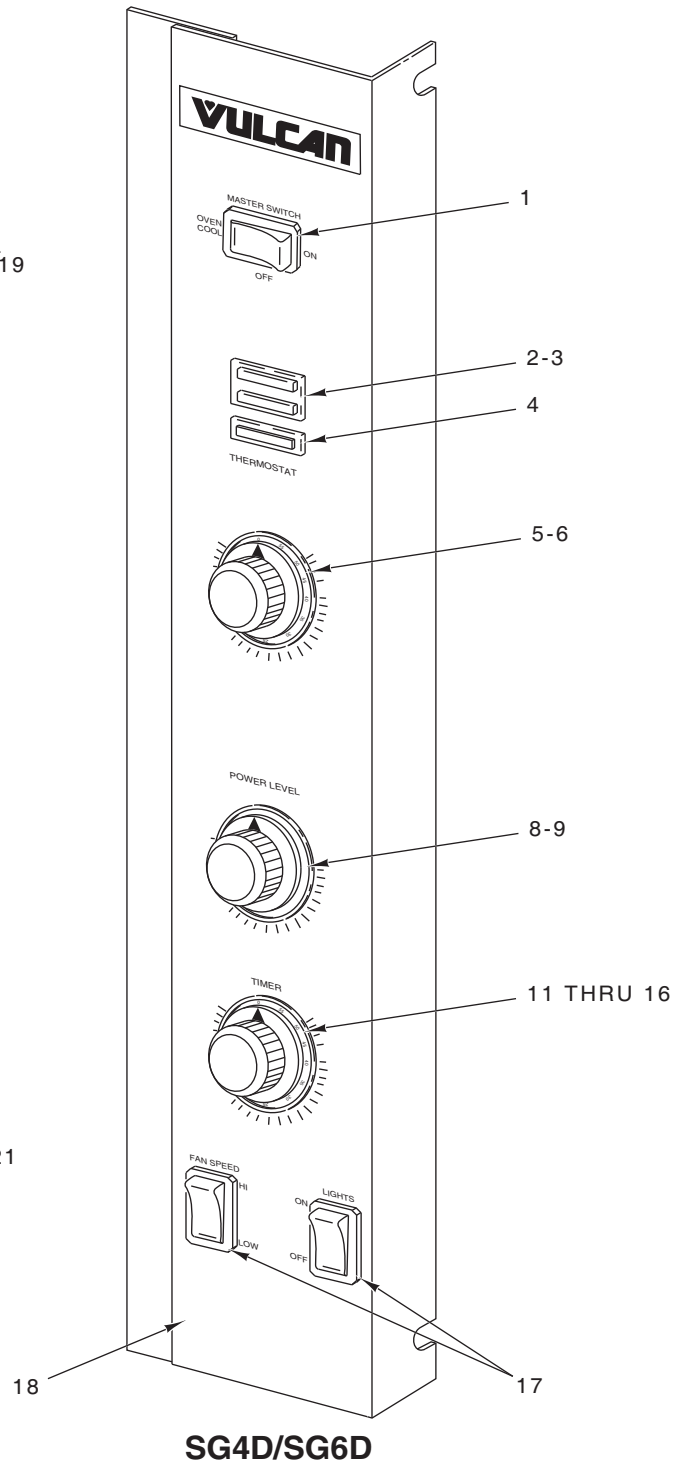
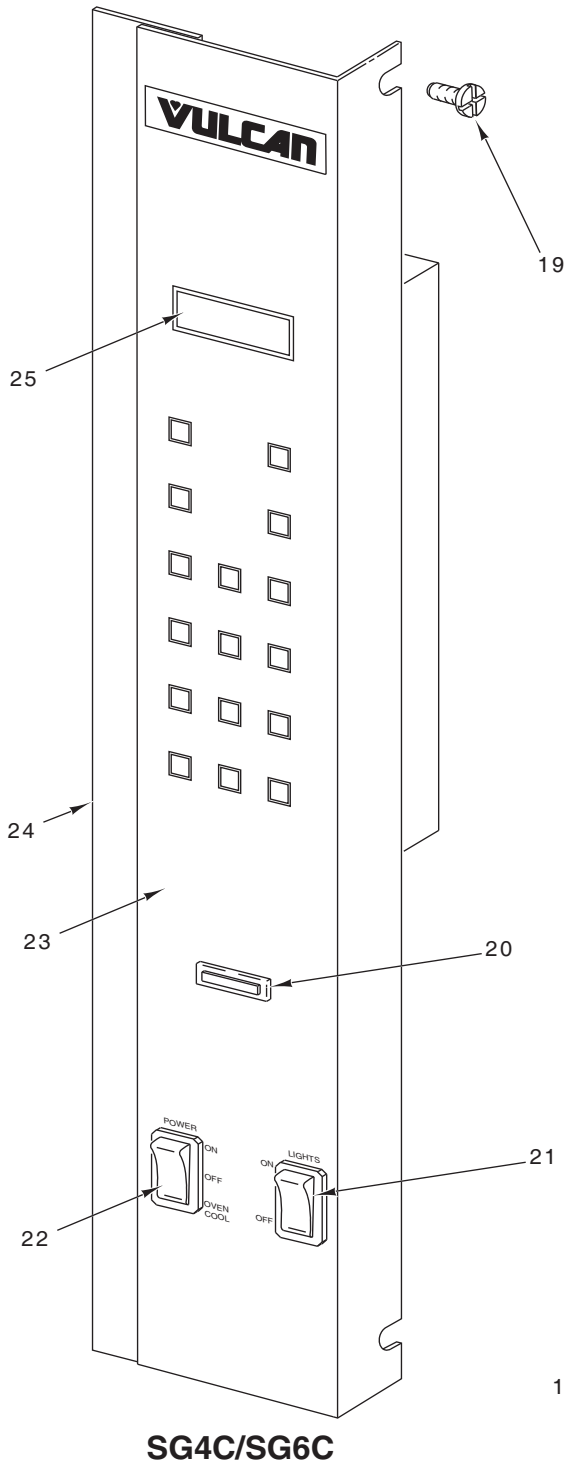


Figure1

**DOOR ASSEMBLY  
(SIMULTANEOUSLY OPENING DOORS)**

**DOOR ASSEMBLY  
(SIMULTANEOUSLY OPENING DOORS)**

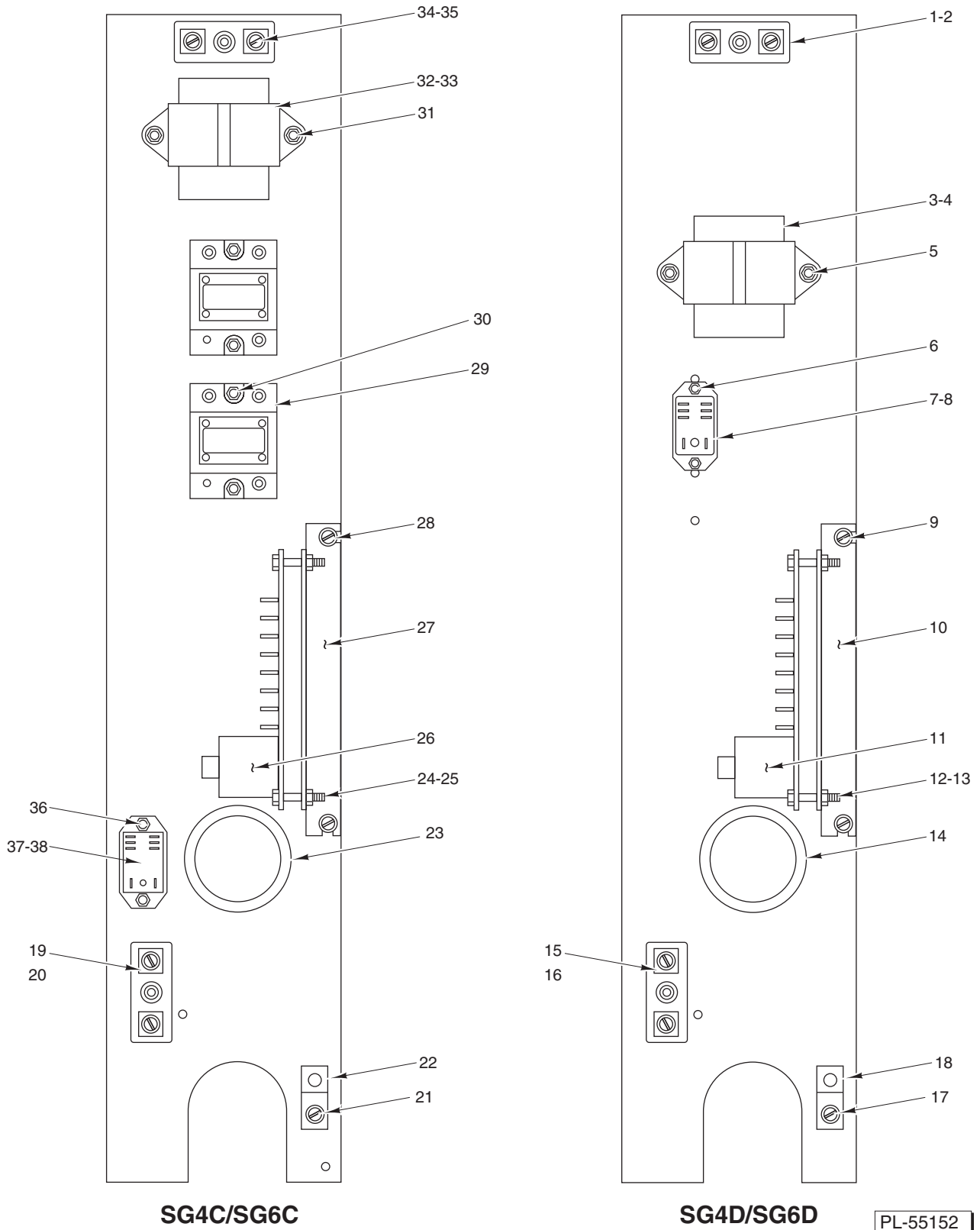
ILLUS. Figure 1	PART NO.	NAME OF PART	AMT.
1	00-356562-00001	Door - Handle .....	1
2	00-356563-00003	Red Handle - Front Grip .....	1
3	00-356563-00004	Red Handle - Rear Grip .....	1
4	SC-113-98	Mach. Screw 10-24 x 1/2 Hex Washer Hd. ....	3
5	SC-041-01	Cap Screw 1/4-20 x 3/4 Hex Hd. (SST) .....	4
6	WL-019-37	Lockwasher 1/4 Internal .....	4
7	00-356550-00001	Latch - Friction .....	1
8	00-421913-00001	Shell - Outer Door (R.H.) (W/Window) .....	1
	00-421913-00002	Shell - Outer Door (R.H.) (W/O Window) .....	1
9	00-421913-00003	Shell - Outer Door (L.H.) (W/Window) .....	1
	00-421913-00004	Shell - Outer Door (L.H.) (W/O Window) .....	1
10	00-421905-000G1	Frame Assy. - Door (R.H.) .....	1
11	00-421904-000G1	Frame Assy. - Door (L.H.) .....	1
12	00-424163-00001	Lever - Door Switch .....	1
13	SD-034-52	Self-Tapping Screw 8-32 x 1 Hex Washer Hd., Type T .....	1
14	00-499289-000G1	<b>Door Assy. (W/Window) (LH) (Chain Doors) (New Style) .....</b>	<b>1</b>
	00-424730-00001	Door Assy. (W/Window) (LH) (Chain Doors) (Old Style) .....	1
	00-499289-000G2	<b>Door Assy. (Solid) (LH) (Chain Doors) (New Style) .....</b>	<b>1</b>
	00-424730-00002	Door Assy. (Solid) (LH) (Chain Doors) (Old Style) .....	1
15	00-499290-000G1	<b>Door Assy. (W/Window) (RH) (Chain Doors) (New Style) .....</b>	<b>1</b>
	00-424731-00001	Door Assy. (W/Window) (RH) (Chain Doors) (Old Style) .....	1
	00-499290-000G2	<b>Door Assy. (Solid) (RH) (Chain Doors) (New Style) .....</b>	<b>1</b>
	00-424731-00002	Door Assy. (Solid) (RH) (Chain Doors) (Old Style) .....	1
16	SD-034-62	Self-Tapping Screw 10-32 x 1/2 Hex Washer Hd., Type T .....	4
17	00-358534-00001	Window Assy. ....	1
18	SD-034-22	Mach. Screw .....	9
19	00-358532-00001	Shell - Inner Door (LH & RH) (W/Window) .....	1
20	00-358533-00003	Shell - Inner Door (LH & RH) (W/O Window) .....	1
21	00-343608-00002	Chain Assy. ....	1
22	00-352667-00001	Cable .....	1
23	PS-004-11	Spiral Pin 3/16 x 1 1/4 .....	2
24	00-342166-00001	Sprocket .....	1
25	SC-047-28	Set Screw 1/4-28 x 3/8 Hex Hdls., Cup Pt. ....	2
26	00-347080-00002	Bearing - Door Shaft .....	2
27	SC-022-40	Mach. Screw 1/4-20 x 3/4 Phil. Flat Hd. ....	4
28	SC-113-90	Mach. Screw 1/4-20 x 3/4 Hex Hd. ....	2
29	00-499300-000G1	<b>Channel - Door Sill Weldment (New Style) .....</b>	<b>1</b>
	00-357846-00001	Channel - Door Sill Weldment (Old Style) .....	1
30	00-347080-00002	Bearing - Door Shaft Warmer .....	2
31	00-343143-00002	Washer .....	2
32	SC-117-73	Mach. Screw 10-32 x 5/8 .....	2
	00-520228	Adhesive - Loctite 242 (Use W/Item 25) (50 cc Bottle) .....	AR



PL-55151-1A

## CONTROL PANEL

ILLUS. PL-55151-1A	PART NO.	NAME OF PART	AMT.
1	00-358628-00001	Switch - Rocker (3 Position) .....	1
2	00-354575-00001	Light Indicator (On/Heat) (200-240V) .....	1
3	00-354575-00002	Light - Indicator (On/Heat)(110-120V.) .....	1
4	00-354575-00004	Light - Indicator (No Ignition) .....	1
5	00-411242-00001	Knob .....	1
6	00-428897-00001	Controller - Temperature (500 Deg F), NCC .....	1
8	00-411242-00001	Knob .....	1
9	00-428897-00002	Control, Pot and Wires, NCC .....	1
11	00-411242-00001	Knob .....	1
12	00-411690-00001	Timer (110-120 V.)(1 Hr.) (60 Hz) .....	1
13	00-411690-00002	Timer (200-240 V.)(1 Hr.) (60 Hz) .....	1
14	00-411690-00003	Timer (110-120 V.) (5 Hr.) (60 Hz.) .....	1
15	00-411690-00004	Timer (240 V.) (5 Hr.) (60 Hz.) .....	1
16	00-411690-00005	Timer 240V (1 Hr)(50Hz) .....	1
17	00-358628-00002	Switch - Rocker (2 Position) .....	2
18	00-428968-00001	Overlay - Panel .....	1
19	SD-037-02	Self-Tapping Screw 10-16 x 1/2 Hex Washer Hd., Type AB .....	3
20	00-354575-00004	Light - Indicator (No Ignition) .....	1
21	00-358628-00002	Switch - Rocker (2 Position) .....	1
22	00-358628-00001	Switch - Rocker (3 Position) .....	1
23	00-424843-00001	Overlay - Panel .....	1
24	<b>00-499301-000G1</b>	<b>Panel - Control Assy. (New Style) Computer (Watlow Control) .....</b>	<b>1</b>
	00-424842-000G1	Panel - Control Assy. (Old Style) .....	1
25	00-424846-00001	Controller .....	1
**	00-411499-00003	Buzzer (240 V.) (SG4D/SG6D) .....	1
**	00-411499-00004	Buzzer (120 V.) (SG4D/SG6D) .....	1
**	00-423918-00001	Electronic Beeper (SG4C/SG6C) .....	1
**	00-353589-00001	Probe (SG4D/SG6D) .....	1
**	00-920883-00003	Probe (SG4C/SG6C) .....	1
**	NOT SHOWN		



**SG4C/SG6C**

**SG4D/SG6D**

PL-55152

**ELECTRICAL COMPONENT PANEL**

## ELECTRICAL COMPONENT PANEL

ILLUS. PL-55152	PART NO.	NAME OF PART	AMT.
1	00-417934-000G1	Porcelain - Block Assy. ....	1
2	SD-034-52	Self-Tapping Screw 8-32 x 1 Hex Washer Hd., Type T .....	1
3	00-411500-00012	Transformer (120 V., A.C., 28 V., 20 VA) .....	1
4	00-411500-00013	Transformer (200-240 V.A.C., 28 V., 20 VA) .....	1
5	SD-032-07	Self-Tapping Screw 10-24 x 1/2 Hex Washer Hd., Type TT .....	2
6	SD-034-49	Self-Tapping Screw 8-32 x 1/2 Hex Washer Hd., Type T .....	1
7	00-416535-00006	Relay - Heating (120 V) .....	1
8	00-416535-00007	Relay - Heating (200-240 V) .....	1
9	SD-032-07	Self-Tapping Screw 10-24 x 1/2 Hex Washer Hd., Type TT .....	1
10	00-423760-00001	Bracket - Ignition Module .....	1
11	00-423756-00003	Control - Dual Spark Ignition .....	1
12	SD-034-52	Self-Tapping Screw 8-32 x 1 Hex Washer Hd., Type T .....	2
13	NS-044-07	Nut Assy. 8-32 Hex Keps .....	2
14	FE-024-23	Bushing - Electrical (Snap) .....	1
15	00-417934-000G1	Porcelain - Block Assy. ....	1
16	SD-034-52	Self-Tapping Screw 8-32 x 1 Hex Washer Hd., Type T .....	1
17	SD-032-07	Self-Tapping Screw 10-24 x 1/2 Hex Washer Hd., Type TT .....	1
18	00-417856-00001	Lug - Grounding (With Set Screw) .....	1
19	00-417934-000G1	Porcelain - Block Assy. ....	1
20	SD-034-52	Self-Tapping Screw 8-32 x 1 Hex Washer Hd., Type T .....	1
21	SD-032-07	Self-Tapping Screw 10-24 x 1/2 Hex Washer Hd., Type TT .....	1
22	00-417856-00001	Lug - Grounding (With Set Screw) .....	1
23	FE-024-23	Bushing - Electrical (Snap) .....	1
24	SD-034-52	Self-Tapping Screw 8-32 x 1 Hex Washer Hd., Type T .....	2
25	NS-044-07	Nut Assy. 8-32 Hex Keps .....	2
26	00-423756-00003	Control - Dual Spark Ignition .....	1
27	00-423760-00001	Bracket - Ignition Module .....	1
28	SD-032-07	Self-Tapping Screw 10-24 x 1/2 Hex Washer Hd., Type TT .....	1
29	00-821875-00002	Relay - Solid State (50Amp) .....	2
30	SD-034-52	Self-Tapping Screw 8-32 x 1 Hex Washer Hd., Type T .....	4
31	SD-032-07	Self-Tapping Screw 10-24 x 1/2 Hex Washer Hd., Type TT .....	2
32	00-421758-000G1	Transformer (120 V) .....	1
33	00-421758-000G2	Transformer (208-240 V) .....	1
34	00-417934-000G1	Porcelain - Block Assy. ....	1
35	SD-034-52	Self-Tapping Screw 8-32 x 1 Hex Washer Hd., Type T .....	1
36	SD-034-49	Self-Tapping Screw 8-32 x 1/2 Hex Washer Hd., Type T .....	2
37	00-416535-00006	Relay - Heating (120 V) .....	1
38	00-416535-00007	Relay - Heating (200-240 V) .....	1

RECOMMENDED SPARE PARTS

PART NO.	NAME OF PART	AMT.
00-353589-0001	Thermocouple D-Models .....	2
00-920883-00003	Thermocouple C-Models .....	2
00-410841-00018	Combo Valve (Nat. Gas) (Robertshaw) .....	2
00-410841-00019	Combo Valve (LP Gas) (Robertshaw) .....	2
00-497271-00007	Combo Valve (Nat. Gas) (White Rogers) .....	2
00-497271-00008	Combo Valve (LP Gas) (White Rogers) .....	2
00-424940-00001	Cooling Fan 120V .....	2
00-424940-00002	Cooling Fan 240V .....	2
00-423756-00003	Dual Spark Ignition Control .....	2
00-346357-00001	High Limit (550 Degree) .....	2
00-416535-00006	Heat Relay (D-Model 120V) .....	2
00-416535-00007	Heat Relay (D-Model 208/240V) .....	2
00-499310-000G1	Micro Switch Replacement Kit .....	2
00-421758-000G1	Transformer (120V/24V) .....	2
00-421758-000G2	Transformer (240V/24V) .....	2
00-411690-00001	1-hour Timer (120V) .....	2
00-411690-00002	1-hour Timer (240V) .....	2
00-411503-000G1	Infinite Switch (120V) (Prior to August 6, 2004) .....	2
00-411503-00003	Infinite Switch (208V) (Prior to August 6, 2004) .....	2
00-411503-00002	Infinite Switch (240V) (Prior to August 6, 2004) .....	2
00-428897-00002	Control Pot & Wires, NCC (After August 6, 2004) .....	2
00-411242-00001	Knob .....	2
00-428897-00001	Solid State Temperature Control (D-Model) (After August 6, 2004) .....	2
00-353613-00002	Solid State Temperature Control (D-Model) .....	2
00-355903-00003	Solid State Temperature Control (C-Model) .....	2
00-358628-00001	Master Switch .....	2
00-358628-00002	Light/Fan Speed Switch .....	2
00-821875-00002	Solid State Heat Relay (C-Model) (50-amp) .....	2
00-821875-00001	Solid State Fan Relay (C-Model) (10-amp) .....	2
00-423754-00001	Ignitor/Flame Sensor (Built In) .....	2
<b>00-497585-00001</b>	<b>Door Strike (New Style) .....</b>	<b>2</b>
00-423847-00001	Door Strike (Old Style) .....	2
<b>00-497586-00001</b>	<b>Roller Latch (New Style) .....</b>	<b>2</b>
00-347545-00001	Door Catch (Old Style) .....	2
00-357036-00001	Lamp Assy. (120V) .....	2